

DOSING PUMP ME3-PH/REDOX

Data
Sheet

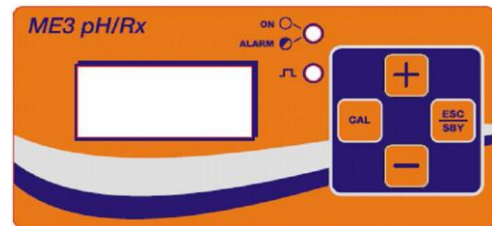
DESCRIPTION

- ✓ Solenoid dosing pump with built in PH/REDOX controller
- ✓ 3 different working mode: **constant, ON/OFF, proportional**
- ✓ 4 different languages menu: **Italian, French, Spanish and English**
- ✓ Built-in Overdose alarm
- ✓ Backlit digital display 8x2
- ✓ Flow sensor control
- ✓ Reinforced PP body
- ✓ Instant flow rate % visualization
- ✓ 100% Made in Italy
- ✓ CE approved
- ✓ IP65 Protection Degree
- ✓ Standard Power Supply 230 Vac
- ✓ ON/OFF switch
- ✓ PVDF pump head with PTFE seals (suitable to dose High Concentration Sodium Hypochlorite or strong Oxidizing agents)



OPTIONAL

- ✓ Level probe input
- ✓ Flow alarm sensor

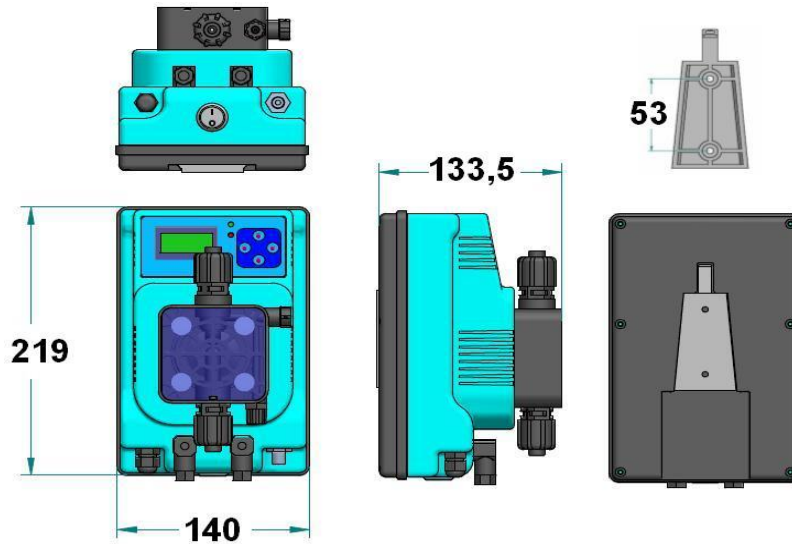


DESCRIPTION		
	Standard Material	Upon Request
Standard Version		
Pump head	PP fittings 1/2"	PVDF fittings 1/2"
High Flow Rate Version		
Pump head	PVDF fittings 1/2"	PP fittings 1/2"
High Pressure Version		
Pump head	PVDF fittings 1/2"	PP fittings 1/2"
Balls	Pyrex	Ceramic, PTFE, AISI 316
Diaphragm	PTFE	-----
Fittings	PP	PVDF
Seals	Viton ®	EPDM
Valve Body	PP 4 x 6	PVDF 4 x 6
Foot Filter	PP 4 x 6 lip valve	PVDF 4 x 6 ball valve
Injection Valve	PP 4 x 6 ball valve	PVDF attacchi 4x6 ball valve
Suction Tube	PVC 4 x 6	PVDF 4 x 6
Delivery Tube	PE 4 x 6	PVDF 4 x 6

DOSING PUMP ME3-PH/REDOX

Data
Sheet

SPECIFICATIONS											
Standard	Max l/h	Pressure		Max cc / imp	Stroke	Solenoid	Pump Head	Power [Watt]	Pulses	Weight	
		Bar	PSI							kg.	Lbs
10-02	10	02	29,4	1,11	1,3	Ø 80	PP	60	150	3,5	7,7
05-10	05	10	145	0,55	1,1	Ø 80	PP	60	150	3,5	7,7
04-12	04	12	176	0,44	0,9	Ø 80	PP	60	150	3,5	7,7
High Flow Rate											
24-01	24	01	15	3,34	2,2	Ø 90	PVDF	60	150	4,0	8,8
22-02	22	02	29	2,89	2,2	Ø 90	PVDF	60	150	4,0	8,8
High Pressure											
03-15	03	15	218	0,67	1,4	Ø 90	PVDF	60	150	4,0	8,8
02-18	02	18	261	0,44	1,4	Ø 90	PVDF	60	150	4,0	8,8



ACCESSORIES KIT					
	Injection Valve	PP Foot filter with lip valve	Delivery tube 2mt PE 4x6	Suction tube 2 mt PVC 4x6	Bleed tube 1,5mt PVC 4x6
STANDARD KIT					