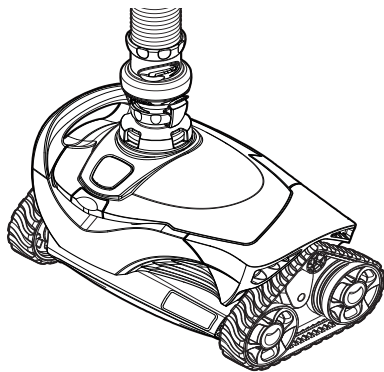
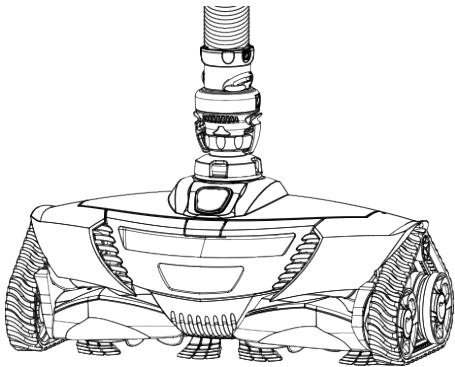


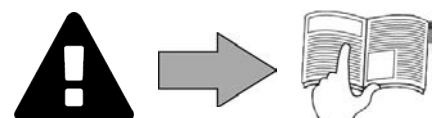
MX6™
MX630™
MX8™
MX8™ PRO
MX9™

Instructions for installation and use - English
Hydraulic cleaner
Translation of the original instructions in French

EN



More documents on:
www.zodiac.com



WARNINGS

GENERAL WARNINGS

- Failure to respect the warnings may cause serious damage to the pool equipment or cause serious injury, even death.
- Only a person qualified in the technical fields concerned (electricity, hydraulics or refrigeration) is authorised to perform this procedure. The qualified technician working on the appliance must use/wear personal protective equipment (such as safety goggles and protective gloves, etc.) in order to reduce the risk of injury occurring when working on the appliance.
- Before servicing the appliance, ensure that it is switched off and isolated from the power supply circuit.
- The appliance is intended to be used only for swimming pools and spas; it must not be used for any purpose other than that for which it has been designed.
- It is important that the appliance is operated by people who are competent and qualified (both physically and mentally), after having read the instructions for use. Persons not meeting these criteria should not be allowed access to the appliance in order to prevent risk of property damage or injury, including loss of life.
- Keep the appliance out of the reach of children.
- The appliance must be installed according to the manufacturer's instructions and in compliance with all applicable local and national standards. The installer is responsible for installing the appliance and for compliance with national installation regulations. Under no circumstances may the manufacturer be held liable in the event of failure to comply with applicable local installation standards.
- For any work other than the simple user maintenance described in this manual, the product should be referred to a qualified professional.
- Incorrect installation and/or use may cause serious damage to property or serious injuries (possibly causing death).
- All equipment, even postage and packing paid, travels at the risks and perils of the recipient. The latter shall issue reserves in writing on the carrier's delivery slip if damage is detected, caused during transport (confirmation to be sent to the carrier within 48 hours by registered letter). In the event that an appliance containing coolant has been turned on its side, mention your reservations in writing to the carrier.
- If the appliance suffers a malfunction, do not try to repair it yourself; instead contact a qualified technician.
- Refer to the warranty conditions for details of the permitted water balance values for operating the appliance.
- In addition to using spare parts manufactured by unauthorised third-party manufacturers, deactivating, eliminating or by-passing any of the safety mechanisms integral to the appliance, will automatically void the warranty.
- Do not spray insecticide or any other chemical (inflammable or non-inflammable) in the direction of the appliance, as this may damage the body and cause a fire.
- Zodiac® heat pump, filtration pump and filter appliances are compatible with the most commonly used types of pool water treatment systems.
- Do not touch the fan and/or any moving parts and do not insert anything, including your fingers in the vicinity of the moving parts while the appliance is in operation.

WARNINGS ASSOCIATED WITH ELECTRICAL APPLIANCES

- The electrical supply to the appliance must be protected by a dedicated 30 mA differential residual current protection device (RCD), complying with the standards and regulations in force in the country where it is installed.
- Do not use an extension cord to plug in the appliance; connect the appliance directly to a suitable power supply circuit.
- Before carrying out any operations, check that:
 - The voltage indicated on the rating plate of the appliance corresponds to the mains voltage,
 - The power grid is adapted to the power requirements of the appliance, and is grounded.
 - The plug (where applicable) is suitable for the socket.
- In the event of abnormal function or signs of overheating such as an unusual odours from the appliance, turn it off immediately, unplug / disconnect it from its power supply and contact a professional.
- Before accessing the enclosure for any reason, ensure that all power to the appliance and also power to any accessories or external devices which may be connected to the appliance, is disconnected from the mains power supply.
- Do not disconnect and reconnect the appliance to the power supply when in operation.
- Do not pull on the power cord to disconnect it from the power supply.
- If the supply cord is damaged, it must be replaced by the manufacturer, its service agent or similarly qualified persons in order to avoid a hazard.
- Do not attempt to carry out any servicing or maintenance operations with wet hands or while the appliance is wet.
- Ensure that all terminals for mains power are free in good condition and free of corrosion and/or dirt/debris.
- For any component or sub-assembly containing a battery: do not recharge or dismantle the battery, or throw it into a fire. Do not expose it to high temperatures or direct sunlight.
- In stormy weather, disconnect the appliance from the power supply to prevent it from suffering lightning damage.
- Do not immerse the appliance in water (with the exception of cleaners) or mud.


SPECIFIC FEATURES APPLICABLE TO "Pool cleaners"

- The cleaner must operate in pool water with a temperature of between 15°C and 35°C.
- To avoid possible injury and damage to the cleaner, do not operate the cleaner out of the water.
- In order to prevent possible injury, bathing is prohibited when your cleaner is in the pool.
- Do not use the cleaner during shock chlorination.
- Do not leave the cleaner unattended for an extended period.

WARNING ON THE USE OF A CLEANER IN A POOL WITH A VINYL SURFACE:

- Before installing your new cleaner, carefully inspect the lining of your pool. If the liner has eroded in some areas, or if you notice gravel, folds, roots or corrosion caused by metal on the inner surface of the liner, or if you notice that the support (bottom and walls) is damaged, do not install the cleaner before performing the necessary repairs or before replacing the liner using a qualified professional. The manufacturer cannot be held liable in any way for damage caused to the liner.
- The surface of certain vinyl patterned surfaces can wear rapidly and the patterns disappear on contact from objects such as cleaning brushes, toys, inflatable buoys, chlorine distributors and automatic pool cleaners. The decoration on some vinyl surfaces can be scratched or worn by basic friction such as through the use of a pool brush. The colours of certain patterns can also be erased during use or when in contact with objects in the pool. The erased patterns, wear or scratching of vinyl surfaces are not the liability of the manufacturer and are not covered by the limited warranty.

Recycling

 This symbol means that your appliance must not be thrown into a normal bin. It will be selectively collected for the purpose of reuse, recycling or transformation. If it contains any substances that may be harmful to the environment, these will be eliminated or neutralised.

Contact your dealer for recycling information.



- Before you do anything with the device, it is vital that you read this installation and user manual, as well as the "warnings and warranty" booklet delivered with the device. Failure to do so may result in material damage or serious or fatal injury and will invalidate the warranty.
- Save these instructions for future reference for service and maintenance.
- It is prohibited to distribute or modify this document in any way without authorisation from Zodiac®.
- Zodiac® is constantly developing its products to improve their quality; therefore, the information contained in this document may be modified without notice.

CONTENTS

EN



1 Specifications 3

- 1.1 | Description 3
- 1.2 | Technical specifications and marking 4



2 Installation 5

- 2.1 | Setup 5
- 2.2 | Hose section assembly 5
- 2.3 | Hydraulic connections 6



3 Use 8

- 3.1 | Operating principle 8
- 3.2 | Pool preparation 8
- 3.3 | Operating 8
- 3.4 | Adjusting the water flow 9
- 3.5 | Choice of suction mode: small or large debris (according to model) 10



4 Maintenance 11

- 4.1 | Cleaning the filtration pump basket 11
- 4.2 | Cleaning the "Cyclonic™" Leaf Catcher 11
- 4.3 | Removing debris from the motor 12
- 4.4 | Replacing the tracks 12
- 4.5 | Storage and wintering 13



5 Troubleshooting 14

- 5.1 | Device behaviour 14



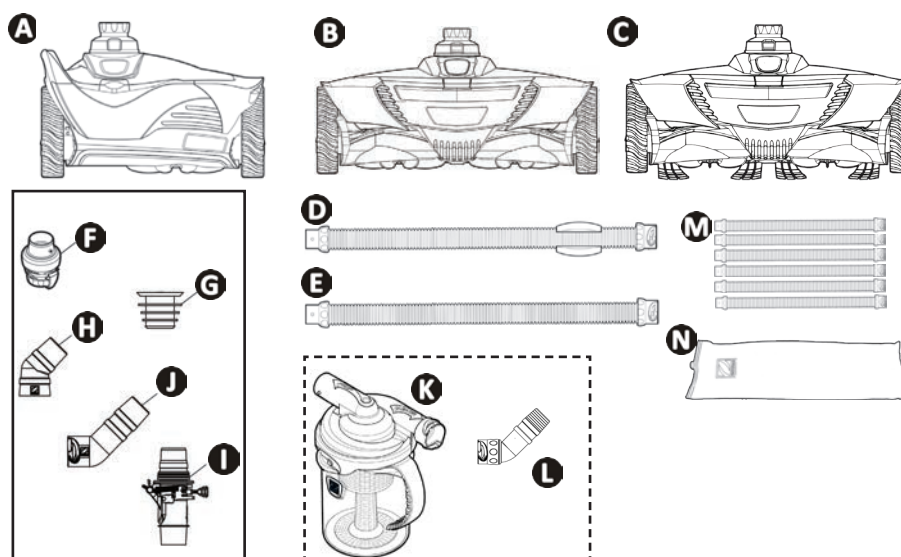
Tip: to make it easier to contact your reseller

Write down your reseller's contact details to help you find them more easily and fill in the "product" information on the back of the manual; your reseller will ask you for this information.



1 Specifications

1.1 | Description



		MX™ 6 - MX™ 630	MX™ 8	MX™ 8 PRO	MX™ 9
A	Cleaner	✓			
B			✓	✓	
C					✓
D	1 metre Twist Lock hose float section (x1)	✓	✓	✓	✓
E	1 metre Twist Lock hose section	✓ (x9)	✓ (x11)	✓ (x11)	✓ (x11)
F	Flow regulator valve	✓	✓	✓	✓
G	In-ground valve cuff	✓	✓	✓	✓
H	45° flexible elbow	✓	✓	✓	✓
I	Flowkeeper valve	✓	✓	✓	✓
J	45° Twist Lock elbow extended	✓	✓		✓
K	"Cyclonic™" Leaf Catcher	+	+	✓	+
L	Rotating 45° extended elbow	+	+	✓	+
M	Set of 6 1-metre Twist Lock hose sections	+	+	+	+
N	Wintering bag for hoses	+	+	+	+

✓: Supplied

+: Available as an option

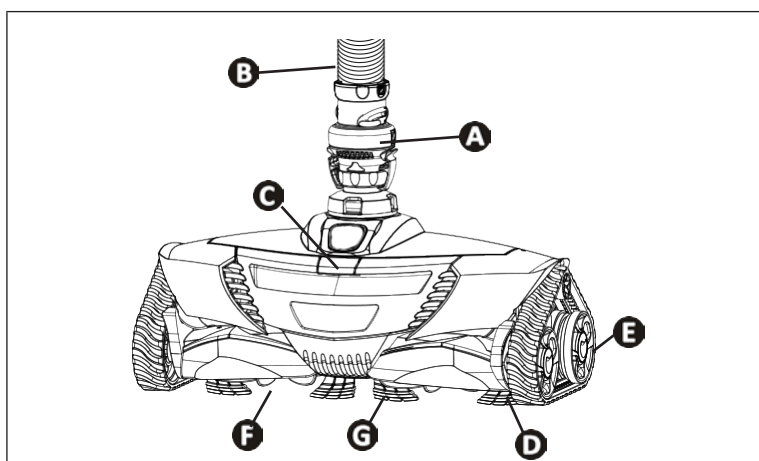
➤ 1.2 I Technical specifications and marking

1.2.1 Technical specifications

	MX™ 6 - MX™ 630	MX™ 8	MX™ 8 PRO	MX™ 9
Cleaner size (L x W x h)	31 x 19 x 22 cm	41 x 19 x 22 cm		
Package size (L x W x h)	102 x 23 x 37 cm			
Cleaner weight	2.5 kg	3.2 kg		3.4kg
Packaged weight	8.2 kg	9.5 kg	10.5 kg	9.5 kg
Theoretical cleaning width	25 cm	36 cm		
Filtration capacity	Pool filtering circuit			
Minimum powered required for the filtering pump.	3/4 HP			
Movement speed	8 m/ min			

EN

1.2.2 Marking

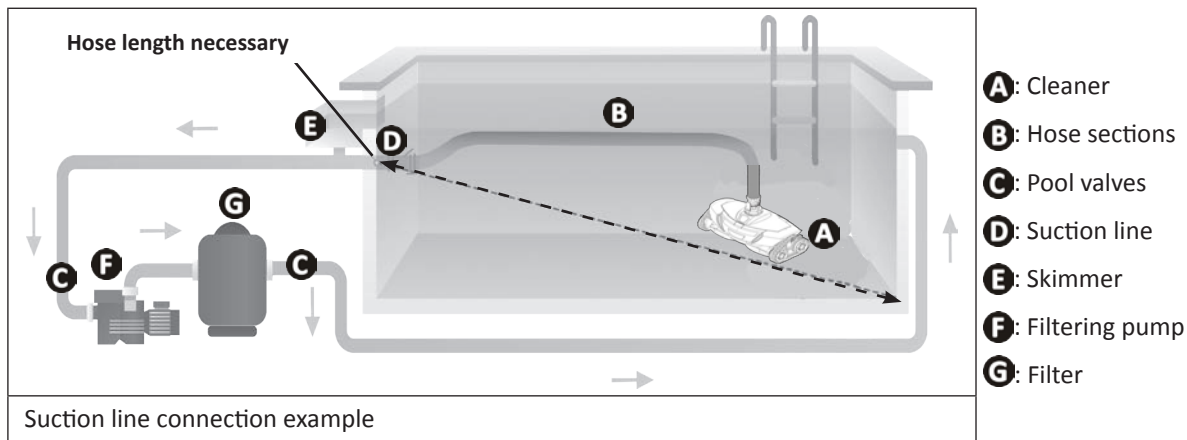


- A**: Flow regulator valve
- B**: Hose section
- C**: Cover opening button
- D**: Tracks
- E**: Wheels
- F**: Turbines
- G**: Brushes (according to model)



2 Installation

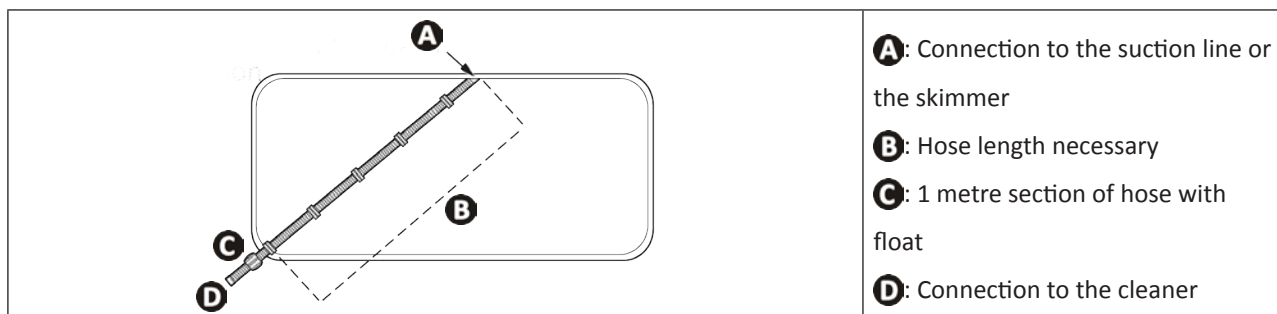
2.1 I Setup



2.2 I Hose section assembly

2.2.1 Determine the number of sections you need

- Measure the length between the suction line or the skimmer and the furthest away point of the pool.
- Add an extra 1 metre to the length measured.
- If total length is over 10 metres (MX™6 - MX™630) or 12 metres (MX™8 - MX™8 PRO - MX™9), contact your reseller to purchase any additional hose sections required for your pool.

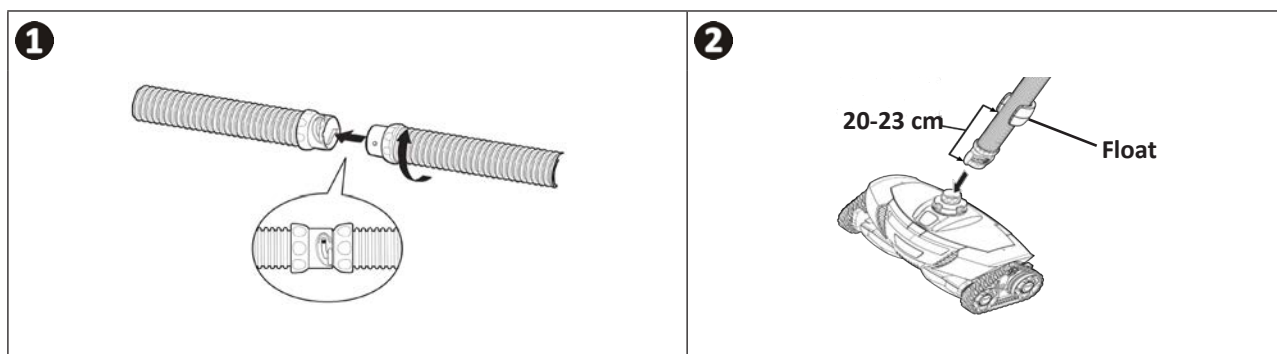


Tip: assemble the "right" quantity of hose sections

Assembling more hose sections than the length necessary to cover the whole pool is not recommended. Hoses that are too long may limit the cleaner's performance.

2.2.2 Twist Lock Hose section assembly

- To easily assemble the two pipe sections using the Twist Lock system, connect them then twist until the connectors are in complete abutment, in one of the 3 notches providing the seal (see image **1**).
- The section of Twist Lock hose with the hose float attached will be connected to the cleaner (see image **2**). The Twist Lock hose float must be located **20-23 cm** away from the cleaner (see image **2**).

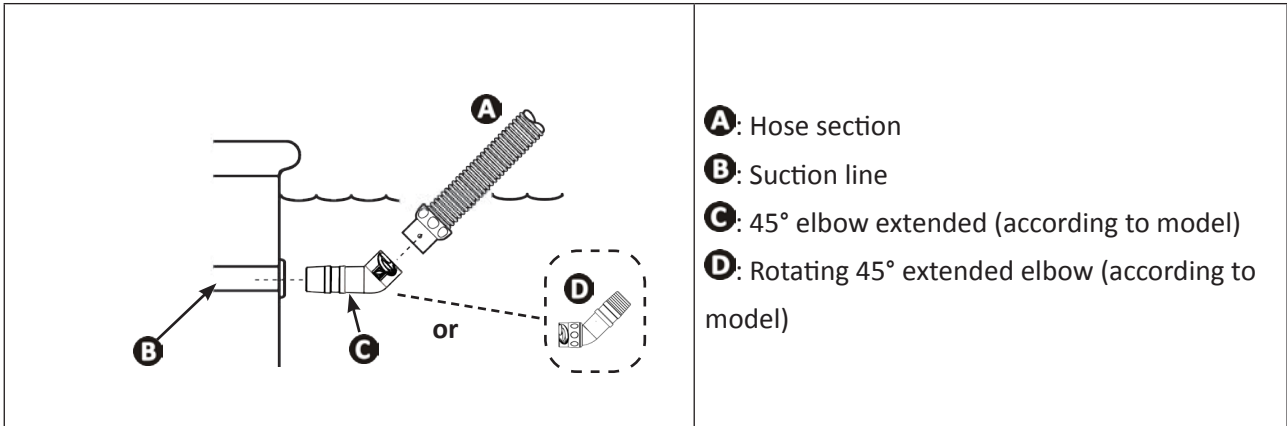


2.3 I Hydraulic connections



- Turn off the filtration pump.
- Clean the skimmer basket, the filtration pump filter basket and the filter if necessary.

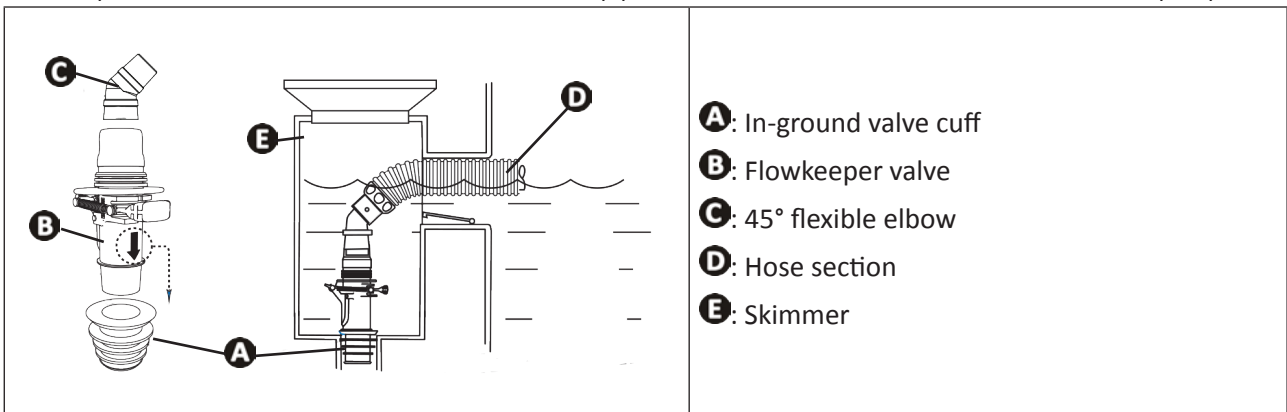
2.3.1 Connection to the suction line



EN

2.3.2 Connection to the skimmer

- If the pool has more than one skimmer, connect the pipe to the one which is the closest to the filtration pump.

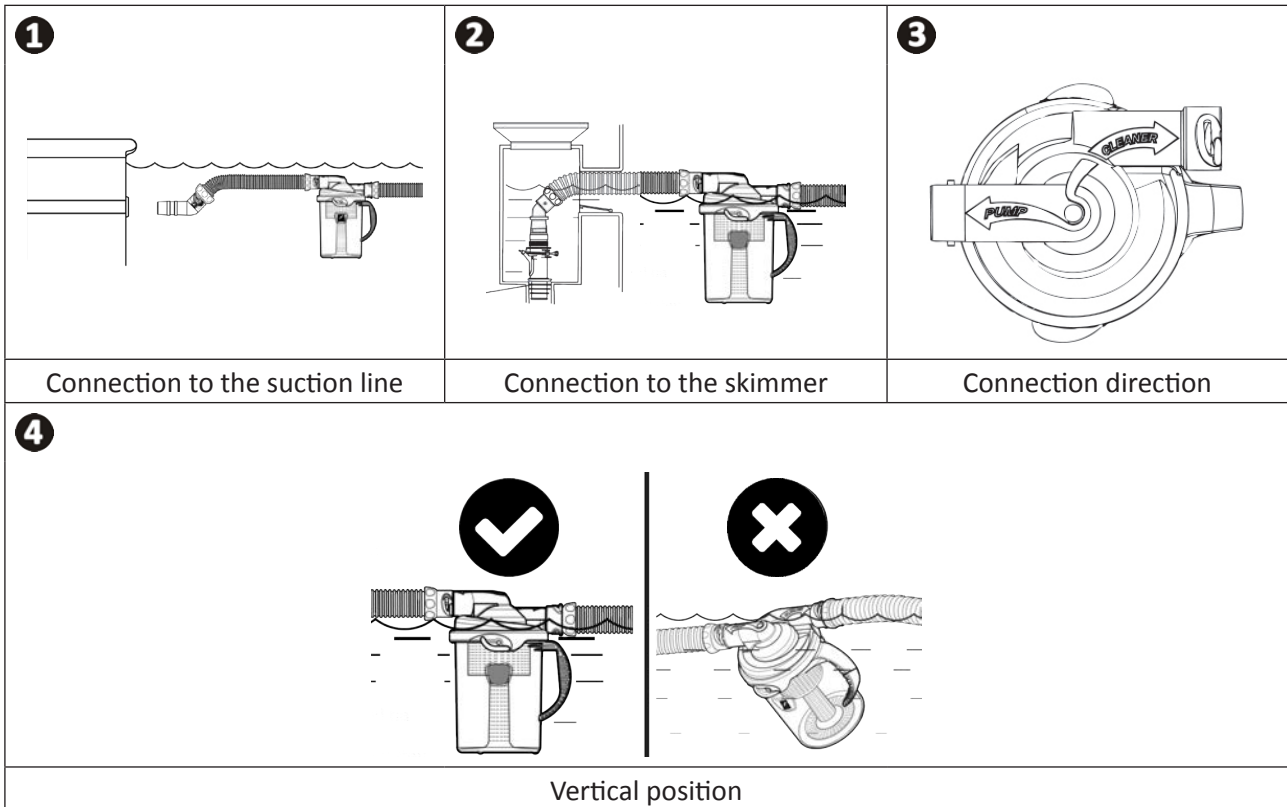


Tip: Protect the filtration system by connecting the flowkeeper valve

This valve is used to adjust the flow to optimise the cleaner's performance; it is also very useful for retaining any debris that may be sucked in and damage the filtration equipment.

2.3.3 "Cyclonic™ Leaf Catcher" connection (according to model)

- Connect the Cyclonic™ Leaf Catcher to the hose assembly which is closest to the suction line or the skimmer (see image **1** or **2**).
- Tilt the Cyclonic™ Leaf Catcher by following the indications: "PUMP" = filtration pump side / "CLEANER" = cleaner side (see image **3**).
- For the bet operation, position the Cyclonic™ Leaf Catcher vertically to the water surface (see image **4**).



Tip: Protect the filtration system by connecting the Cyclonic™ Leaf Catcher

The Cyclonic™ Leaf Catcher is used to retain the debris before it is sucked into the filtration system as this may cause long-term damage to the equipment. It also enables the debris to be removed more easily than in the pump filter basket and has the advantage that it is transparent so you can see when it needs to be cleaned.



3 Use

3.1 | Operating principle

The hydraulic cleaners connect to the filtration system (either to a suction line or a skimmer); they use the filtration pump's energy to move around the pool. The wall climbing capacity varies according to the shape of the pool and the available water flow.

The debris is sucked in by the cleaner and captured in the filtration pump's filter basket or in the Cyclonic™ Leaf Catcher (accessory included or available as an option depending on the model).

3.2 | Pool preparation



- This product is intended to be used in pools which are permanently installed. Do not use it in pools which may be dismantled. A permanent pool is built into the ground or on the ground and cannot be easily dismantled and stored.

- The device must operate in pool water with the following quality:

Water temperature	Between 15°C and 35°C
pH	Between 6.8 and 7.6
Chlorine	< 3 mg/l

- When the pool is dirty, especially when first installing your cleaner, remove the largest debris using a telescopic pole and net prior to installing the cleaner.
- Remove any thermometers, toys and other objects that might damage the device.
- After adding chemical products to the water, wait at least 4 hours before putting the cleaner into the water.
- Make sure that the filtration and the skimmer baskets are clean.
- Aim the pool return lines downward if adjustable.
- Close the pool's main drain line.
- Turn off the filtration pump off.

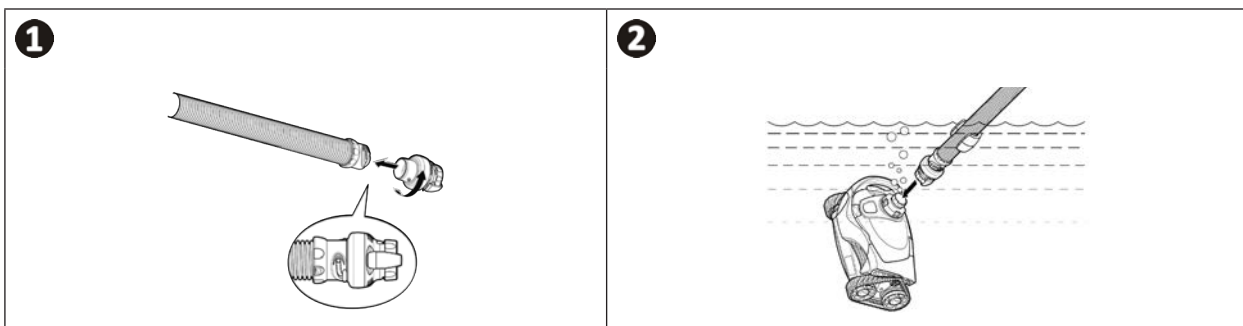
3.3 | Operating



- To avoid serious injury, make sure the filtration pump is turned off.
- Do not expose your hair, loose clothing, jewellery, etc. to the open end of the hose.

3.3.1 Connecting the flow regulator valve and immersing the cleaner

- Connect the flow regulator valve to the hose (see image 1).
- Immerse the cleaner so that it fills up with water.
- When there are no more air bubbles escaping from the cleaner, connect the hose by inserting the flow regulator valve onto the cleaner (see image 2).
- Let the cleaner descends to the bottom of the pool.



3.3.2 Filling the hose assembly

- Disconnect the hose assembly from the suction line or skimmer temporarily.
- Turn on the filtration pump.
- Fill the Hose assembly with water by placing the open end in front of a pool return line until it is filled.
- Turn off the filtration pump and connect the Hose assembly to the dedicated suction line or skimmer.
- Turn on the filtration pump on to activate the pool cleaner.

➤ 3.4 I Adjusting the water flow

- The filtration pump must be operating.
- Check the water flow regularly to ensure the best possible cleaning performance and to make it easier for the cleaner to climb the sides.
- The cleaner is equipped with a flow regulator valve which automatically adjusts the water flow through the cleaner. It indicates whether the water flow is ok or excessive: **YELLOW** = flow ok / **RED** = flow excessive



3.4.1 Checking the wheel rotation speed

- The filtration pump must be operating.
- Switch on the filtration pump (have a stopwatch ready).
- Raise the cleaner to below the surface of the water, keeping it submerged.
- Note the yellow indicator on the rear right wheel (see image 1).
- For MX8 - MX8 PRO - MX9: Wait until the wheels change direction and log the time until the wheels have performed 10 turns (see image 1).
- Adjust the water flow according to the time logged (see image 2).

1

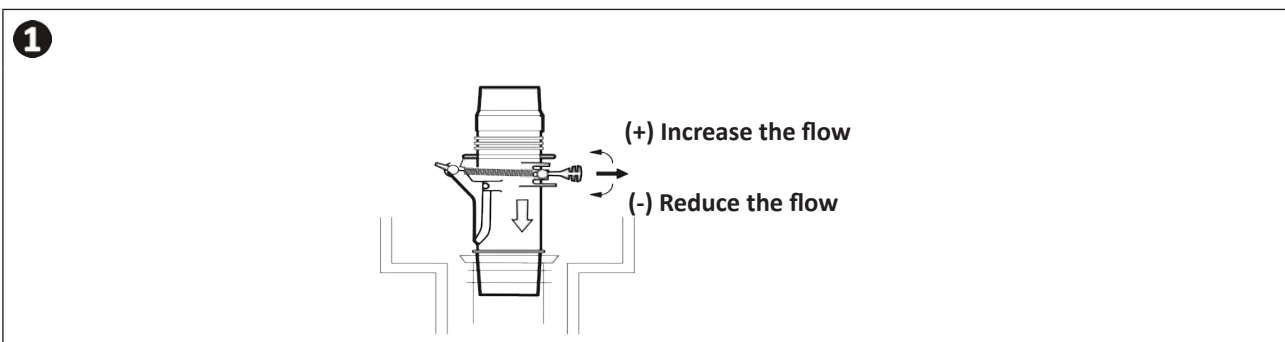
10 turns

2

Seconds		
26-50	➔	✘ Increase the flow
20-25	➔	✔ Flow ok
10-19	➔	✘ Reduce the flow

3.4.2 Adjusting the water flow

- Adjust the water flow using the flowkeeper valve provided with the device (see image 1), or from the pool valves.



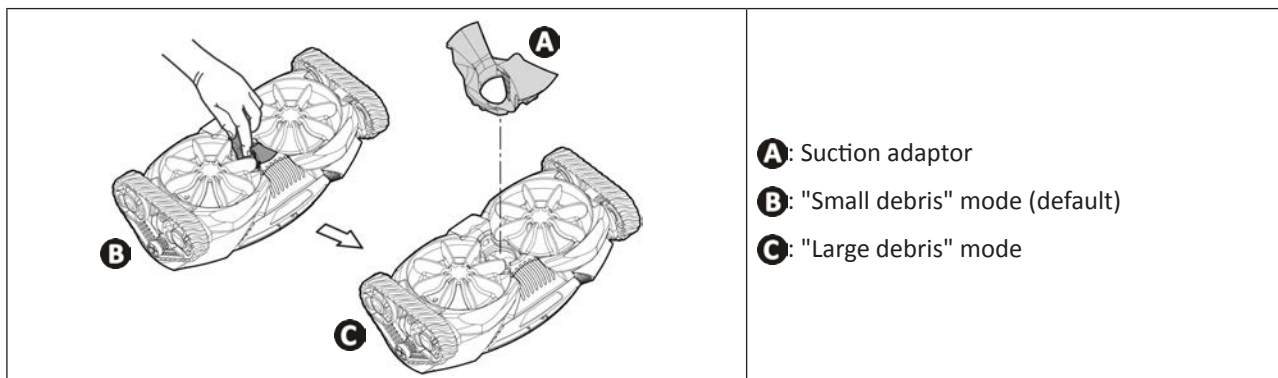
➤ 3.5 I Choice of suction mode: small or large debris (according to model)



Before starting this operation and to avoid serious injury:

- Turn off the filtration pump.
- Disconnect the cleaner from the Twist Lock hose assembly.

- The cleaner has a suction adaptor; it is located under the cleaner.
- The adaptor enables the suction to be adjusted according to the type of debris to be dealt with: **"small debris" mode** (small or heavy debris such as sand, silt and stones), **"large debris" mode** (leaves).
- **To switch to "large debris" mode:** remove the adaptor by inserting a finger into it and raising the rear edge.
- **To return to "small debris" mode:** press the front and rear edges of the adaptor to clip it into its housing.



Tip: It is best to use "small debris" mode during the bathing season

When the pool is cleaned regularly, we recommend that you leave the suction adaptor in place to be in "small debris" mode.



4 Maintenance

- The device must be cleaned regularly using clean or slightly soapy water. Do not use any solvents.
- Rinse the device generously using clean water.
- Never store the cleaner in direct sunlight. Store the hoses laying flat and not coiled to prevent unwanted hose memory.

4.1 I Cleaning the filtration pump basket

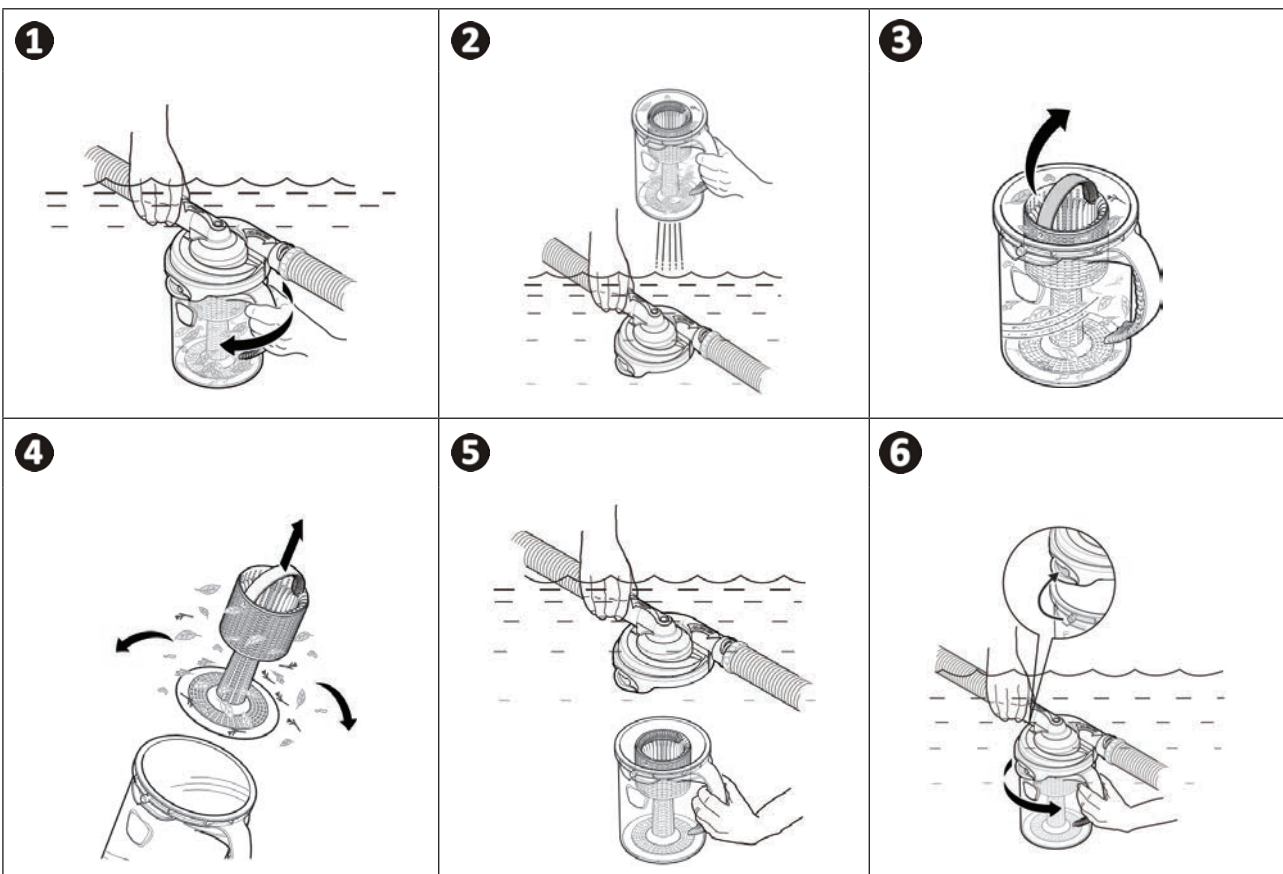


- Always remove the cleaner from the pool before cleaning or bleeding the filtration system.
- Before cleaning (and before you put the cleaner back into the water), start the filtration pump for at least 5 minutes before you bleed the circuit.

- For maximum cleaner performance it is recommended the filtration pump basket be kept clean by removing debris as needed.
- Use of the Cyclonic™ Leaf Catcher (accessory included or optional depending on the model) is recommended to collect large debris before it reaches the skimmer and the pump basket.

4.2 I Cleaning the "Cyclonic™" Leaf Catcher

- Turn off the filtration pump.
- Keep the Cyclonic™ Leaf Catcher under the water and take hold of it by the handle. Using the handle, turn the transparent canister until it detaches (see image 1).
- Remove the transparent canister from the water and leave the lid and the hoses under the water (see image 2).
- Remove the filter using the top handle (see image 3).
- Remove the debris and rinse the transparent canister in clean water (see image 4).
- Put the filter back in place and immerse the Cyclonic™ Leaf Catcher again (see image 5).
- Position the transparent canister correctly on the lid notches then turn it sharply to push the 2 parts in (see image 6).



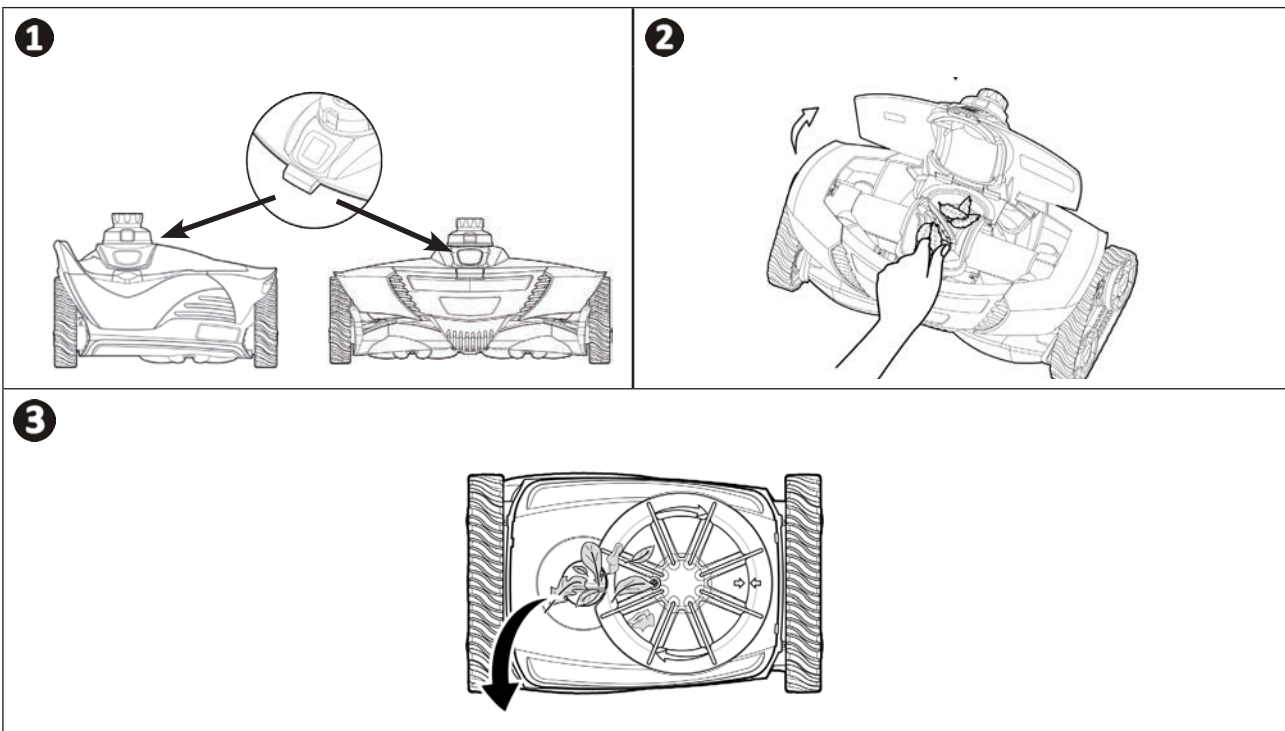
4.3 I Removing debris from the motor



Before starting this operation and to avoid serious injury:

- Turn off the filtration pump.
- Disconnect the cleaner from the Twist Lock hose assembly.

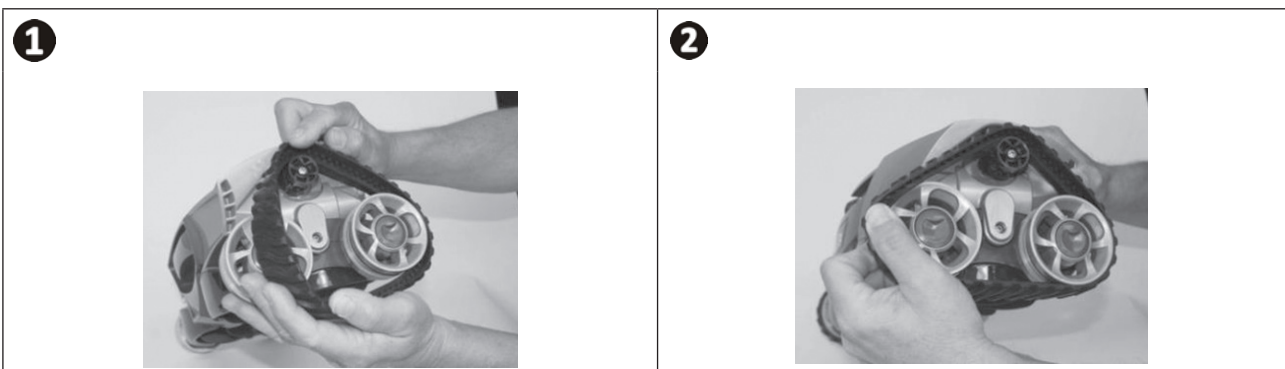
- Press the button on the top and lift the lid (see image 1).
- Remove the debris inside (see image 2) and also under the cleaner (see image 3).
- If necessary, gently push the motor blades forward and backward to reveal any trapped debris and remove it. When you move the blades, make sure that the cleaner's tracks turn freely and that they are correctly synchronised with the movement of the blades under the cleaner.
- Also remove any debris which may be caught in the suction inlet.
- Close the lid and make sure it locks.



EN

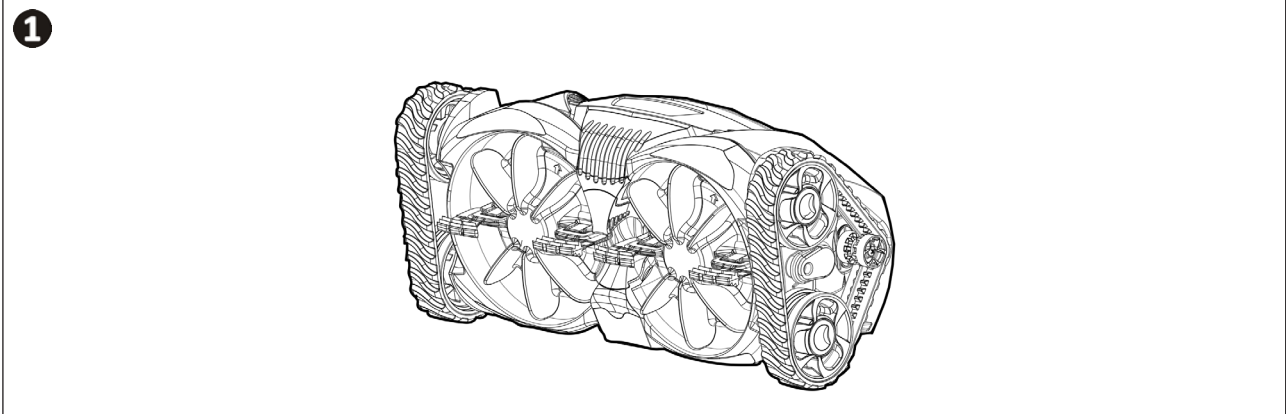
4.4 I Replacing the tracks

- Lay the cleaner on one side.
- Starting with one of the wheels, pull the inside of the track to separate it from the wheel (see image 1). Then remove the track from the cleaner.
- To install the new track, position the inside of the track on the small wheel's grooves and on one of the large wheels.
- Stretch the track around the second wheel, (see image 2). Press down on the track to position it correctly on the wheel grooves. Make sure that the track passes under the guide.



➤ 4.5 I Storage and winterizing

- For winterizing, drain off all the water from the cleaner (damage caused by frost is not covered by the warranty).
- Clean the whole device and the hoses in clean water then leave to dry.
- Store the device in a dry place which is protected from freezing conditions. Store the cleaner on its side or back to avoid damage to turbine (voir image ①).
- Remove all the connectors and adaptors from the suction line or the skimmer.



Tip: Preserve the condition of the hoses during storage

When the cleaner is stored away, even for short periods, avoid rolling the hoses: they may take on a shape which may harm the cleaner's performances.



5 Troubleshooting



- Before you contact your reseller, please carry out these few simple checks using the following tables if a problem occurs.
- If the problem continues contact your reseller.

5.1 I Device behaviour

EN

<p>The cleaner is immobile or very slow.</p>	<ul style="list-style-type: none"> • Close the main drain line. • Clean and empty the skimmer and filtration pump baskets. • Inspect the motor area and remove any visible debris. (see “4.3 I Removing debris from the motor”) • Remove the suction adaptor under the cleaner (see “3.5 I Choice of suction mode: small or large debris (according to model)”). • Check the flow (see “3.4 I Adjusting the water flow”). • Turn on the filtration pump to verify there is no air in the system. If the filtration pump basket is filled with air bubbles and, or the water level is low this indicates there is air present in the circulation system. If air is in the system it will be seen as water flows out the pool return lines. Air can be drawn into the circulation system through components on the suction side of the filtration pump. This includes holes or cracks in the cleaners hose sections. • Verify the pool surface is not covered with algae as this slippery surface will not allow the cleaner to gain traction and climb. If it is, carry out shock chlorination and slightly reduce the pH.
<p>The cleaner does not cover the entire pool.</p>	<ul style="list-style-type: none"> • Check the flow (see “3.4 I Adjusting the water flow”). • Aim the return line fittings in the pool downward if adjustable. • Check the hose sections for coils. If a memory has formed turn off the cleaner and remove the affected hose sections. Lie the pipe sections having formed loops flat in the sun until these sections recover their normal shape. Re-install the hose sections on the cleaner. • Check the hose assembly is long enough (see “2.2 I Hose section assembly”). If it is not, add hose sections. • Check the position of the hose float on the leader hose section (see “2.2 I Hose section assembly”). • Monitor the cleaner for more than five minutes and check that each track changes direction regularly.
<p>The cleaner is stopped on the steps.</p>	<ul style="list-style-type: none"> • Check the top cover swivel turns freely. • Test the flow by checking the wheel rotation speed (see “3.4.1 Checking the wheel rotation speed”). • Check that the pipe is not too long (see “2.2 I Hose section assembly”). If it is, shorten the hose length by removing sections.
<p>The cleaner does not climb the pool walls.</p>	<ul style="list-style-type: none"> • Check the flow (see “3.4.1 Checking the wheel rotation speed”) and increase it if necessary (see “3.4.2 Adjusting the water flow”). • Check that the hose float is positioned correctly on the leader hose (see “2.2 I Hose section assembly”). • Check that the pool walls are free of algae and not slippery.
<p>The cleaner climbs above the water line.</p>	<ul style="list-style-type: none"> • Reduce the flow (see “3.4.2 Adjusting the water flow”). • Check that the hose float is positioned correctly on the leader hose (see “2.2 I Hose section assembly”).
<p>The cleaner lays on its side.</p>	<ul style="list-style-type: none"> • Check that the hose float is positioned correctly on the leader hose (see “2.2 I Hose section assembly”).

Votre revendeur
Your retailer

Modèle appareil
Appliance model

Numéro de série
Serial number

Trouvez plus d'informations et enregistrez votre produit sur
More informations and register your product on

www.zodiac.com

