

bp pumps

3000 rpm from Certikin

The Certikin BP Commercial Pumps - 3000 rpm

Designed with efficiency in mind, these unique centrifugal pumps offer quality performance and reliability.

All models in this range have been developed primarily for the swimming pool industry.



Water temperature:

To 40°C



Max pressure:

2.1 Bar



Room temperature:

To 40°C



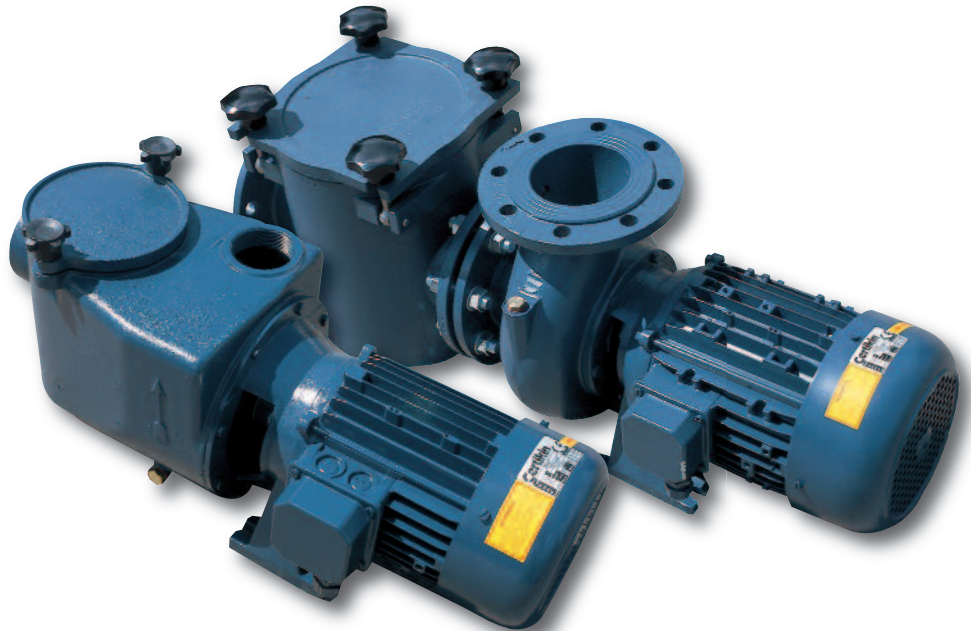
Total suction lift:

To 2 metres



Three phase:

230/400V to 5.5HP
400/680V from
7.5HP - 12.5HP

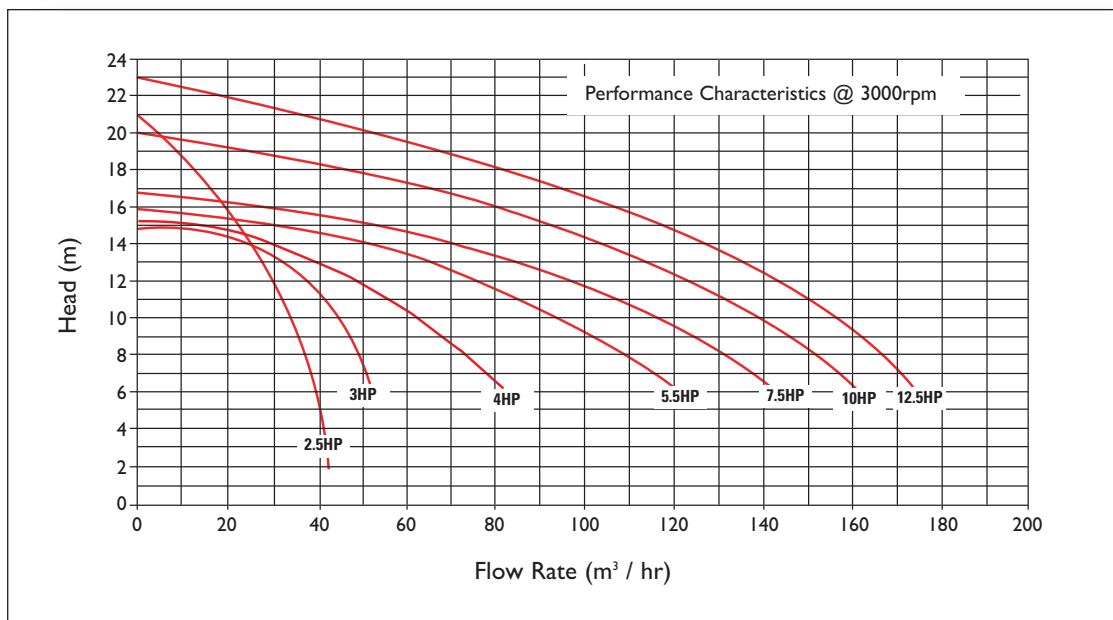


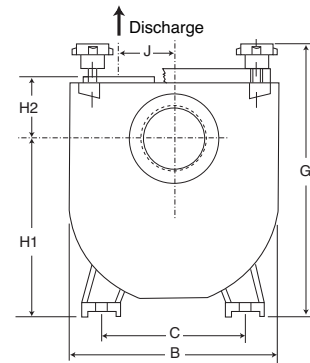
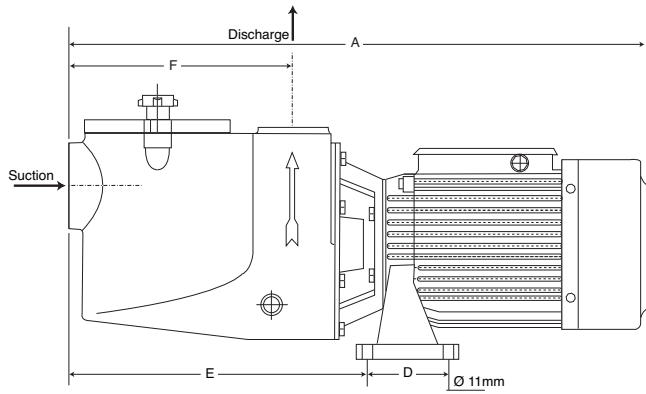
Certikin Commercial Pumps - 3000rpm

Code	Phase	Description	Running Current
BP253	3	2.5HP (1.9kW)	4.2 AMP
BP303	3	3.0HP (2.2kW)	4.8 AMP
BP403	3	4.0HP (3.0kW)	6.2 AMP
BP553	3	5.5HP (4.1kW)	9.4 AMP
BP753	3	7.5HP (5.6kW)	11.3 AMP
BP1003	3	10.0HP (7.5kW)	15.0 AMP
BP1253	3	12.5HP (9.4kW)	18.5 AMP

Design improvements may invalidate the dimensions. Latest drawings are available on request

Certikin Commercial Pump Curves 3000rpm





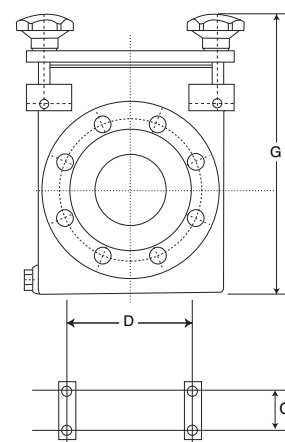
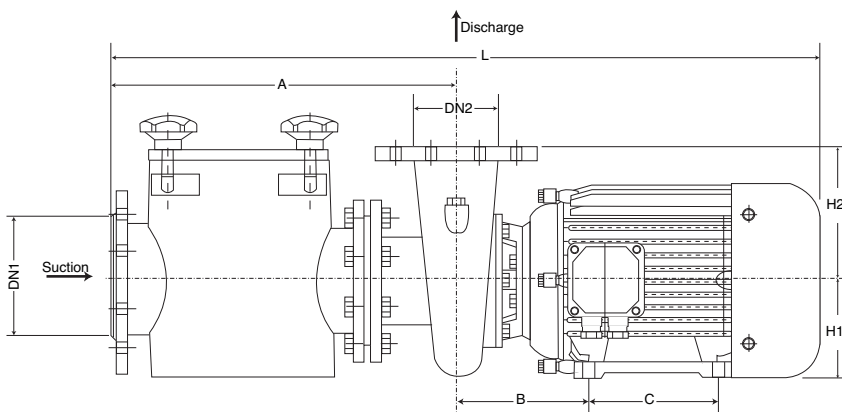
Certikin Commercial Pumps Dimensions - 2.5HP

Code	Model	A	B	C	D	E	F	G	H1	H2	J	Connections	Weight
BP253	2.5HP	618	210	144	84	307	233	280	180	62	56	2" BSP female thread	45.6

- All dimensions are in mm
- All weights are shown in kg
- Flange faces are PN10 (BS4505) compatible
- Please enquire for alternative options / or bronze body models
- C & D are centres of 11mm holes for base fixings

Standard Features - BP pumps

- Designed to circulate large quantities of low pressure water
- High quality corrosion resistant components
- Cast iron Impeller
- Integral Strainer Box with St/St basket
- Stainless steel and mechanically sealed shaft
- 3000 or 1500 rpm motors 50Hz (60Hz option)
- Cast Iron Body
- IP55 Protection Rated
- Self Priming
- Quick release strainer lid



Certikin Commercial Pumps Dimensions - 3HP to 12.5HP

Code	Model	DN1 Flange	Holes	DN2 Flange	Holes	A	B	C	D	G	H1	H2	L	Weight
BP303	3HP	80 (90mm)	8 x Ø18	50 (63mm)	8 x Ø18	383	62	84	144	320	120	130	735	50
BP403	4HP	100 (110mm)	8 x Ø18	100 (110mm)	8 x Ø18	420	104	84	144	320	128	190	807	62
BP553	5.5HP	125 (140mm)	8 x Ø18	100 (110mm)	8 x Ø18	420	108	112	176	358	132	190	877	82
BP753	7.5HP	125 (140mm)	8 x Ø18	100 (110mm)	8 x Ø18	470	176	140	216	358	132	190	930	93
BP1003	10HP	125 (140mm)	8 x Ø18	100 (110mm)	8 x Ø18	470	176	140	216	358	132	190	968	100
BP1253	12.5HP	125 (140mm)	8 x Ø18	100 (110mm)	8 x Ø18	470	176	178	216	358	132	190	968	109

bp pumps

1500 rpm from Certikin

The Certikin BP Commercial Pumps

Designed with efficiency in mind, these unique centrifugal pumps offer quality performance and reliability.

All models in this range have been developed primarily for the swimming pool industry.



Water temperature:

To 40°C



Max pressure:

2.1 Bar



Room temperature:

To 40°C



Total suction lift:

To 2 metres



Three phase:

230/400V to 5.5HP

400/680V to 15HP

Standard Features - BP pumps

- Cast iron Impeller
- Integral Strainer Box with St/St basket
- Stainless steel and mechanically sealed shaft
- 3000 or 1500 rpm motors 50Hz (60Hz option)
- Cast Iron Body
- IP55 Protection Rated
- Self Priming
- Quick release strainer lid



Certikin Commercial Pumps - 1500rpm

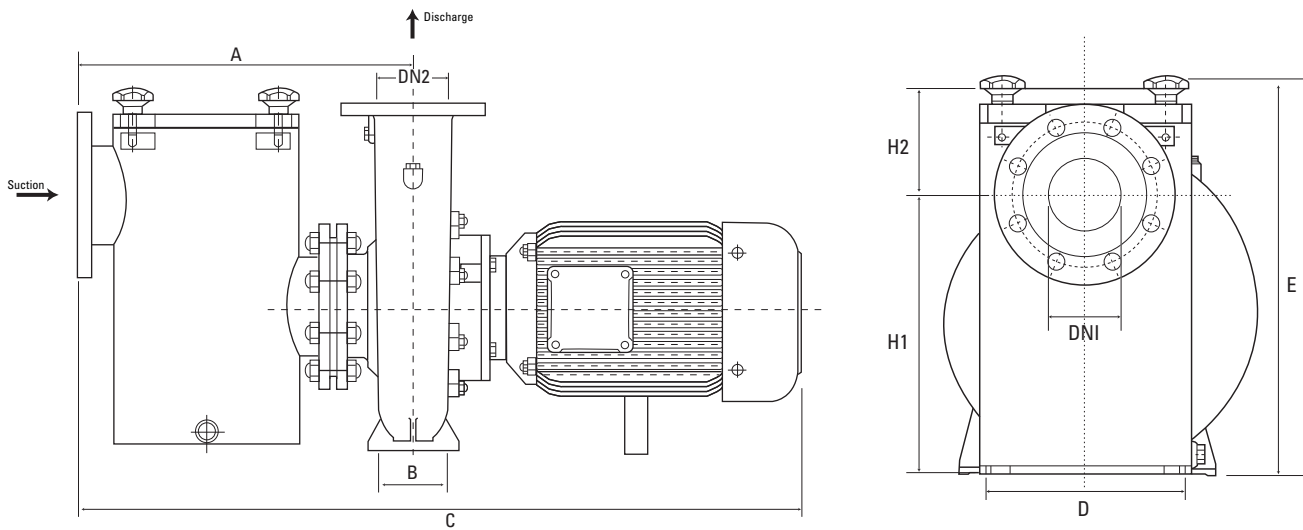
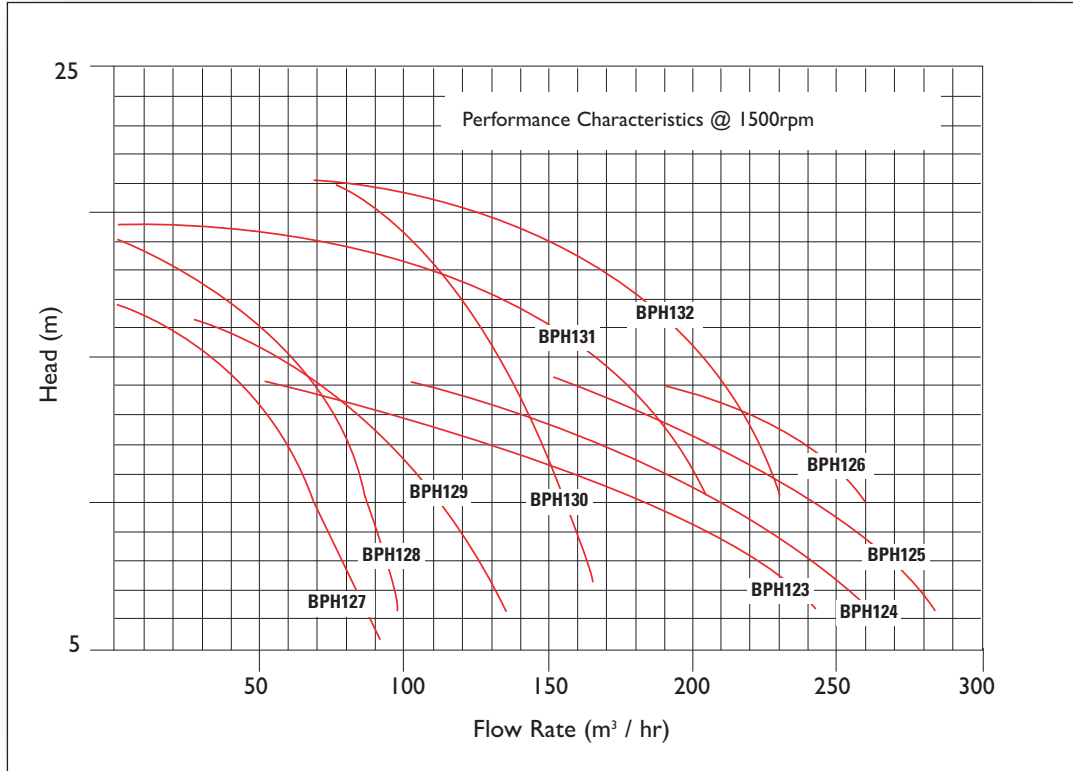
Code	Phase	Description	Running Current
BPH123	3	10HP (7.5kW)	16.4 AMP
BPH124	3	12.5HP (9.4kW)	21.5 AMP
BPH125	3	12.5HP (9.4kW)	21.5 AMP
BPH126	3	15HP (11kW)	23.0 AMP
BPH127	3	4.0HP (3.0kW)	7.5 AMP
BPH128	3	5.5HP (4.1kW)	9.5 AMP
BPH129	3	7.5HP (5.6kW)	13.8 AMP
BPH130	3	10.0HP (7.5kW)	16.4 AMP
BPH131	3	12.5HP (9.4kW)	21.5 AMP
BPH132	3	15HP (11kW)	23 AMP

Design improvements may invalidate dimensions.

Latest drawings are available on request

- All dimensions are in mm
- All weights are shown in kg
- Flange faces are PN10 (BS4505) compatible
- Please enquire for alternative options / or bronze body models

Certikin Commercial Pump Curves 1500rpm



Certikin Commercial Pumps Dimensions - 4HP to 15HP

Code	Model	DN1 Flange	Holes	DN2 Flange	Holes	A	B	C	D	E	H1	H2	Weight
BPH123	10HP	150 (160mm)	8 x Ø18	125 (140mm)	8 x Ø18	585	120	1075	315	622	440	165	207
BPH124	12.5HP	150 (160mm)	8 x Ø18	125 (140mm)	8 x Ø18	585	120	1100	315	622	440	165	212
BPH125	12.5HP	150 (160mm)	8 x Ø18	125 (140mm)	8 x Ø18	585	120	1100	315	622	440	165	218
BPH126	15HP	150 (160mm)	8 x Ø18	125 (140mm)	8 x Ø18	585	120	1200	315	622	440	165	225
BPH127	4HP	100 (110mm)	8 x Ø18	65 (75mm)	8 x Ø18	400	120	840	280	450	200	250	95
BPH128	5.5HP	100 (110mm)	8 x Ø18	65 (75mm)	8 x Ø18	400	120	860	280	450	200	250	103
BPH129	7.5HP	125 (140mm)	8 x Ø18	80 (90mm)	8 x Ø18	473	120	980	315	480	200	280	131
BPH130	10HP	125 (140mm)	8 x Ø18	80 (90mm)	8 x Ø18	473	120	1016	315	480	200	280	141
BPH131	12.5HP	150 (160mm)	8 x Ø18	100 (110mm)	8 x Ø18	755	120	1100	315	622	440	115	210
BPH132	15HP	150 (160mm)	8 x Ø18	100 (110mm)	8 x Ø18	755	120	1200	315	622	440	115	243

heavy duty edition 3



commercial



design



performance

