

Manual digital - Solenoid Dosing Pump 75091-75092-75093



TECHNICAL FEATURES

- Flow rates: from 4 to 110 l/h
- Max back pressure: up to 16 bar
- Power supply: 100÷240 Vac - 50/60 Hz
- Stroke rate: from 160 to 300 strokes/minute
- Pump head: PVDF
- Diaphragm: PTFE
- External Enclosure: PP reinforced with fiberglass
- Protection degree: IP65
- Manually priming valve
- Installation kit: Included

Acqua Dos series digital dosing pumps with constant flow rate can be adjusted manually by means of a keypad mounted on the front panel, visualizing on the display the dosed flow rate in pulses/minute.

Input for minimum chemical level control (not included).

With only 3 sizes that pump can cover a wide range of performances, having a flow rate range from 4 to 110 l/h and a back pressure up to 16 bar. The power supply is 100÷240 Vac – 50/60 Hz therefore the same pump can operate with different supply voltage.

The pump head is in PVDF, therefore high chemical compatibility with several liquids.

All Acqua Dos series are equipped with a manually priming pump for the start up.

The pump is furnished with a complete standard installation kit, which includes: PVDF foot filter and injection valve, PVC suction tube, PE delivery tube.

ACQUA DOS DOSING PUMP

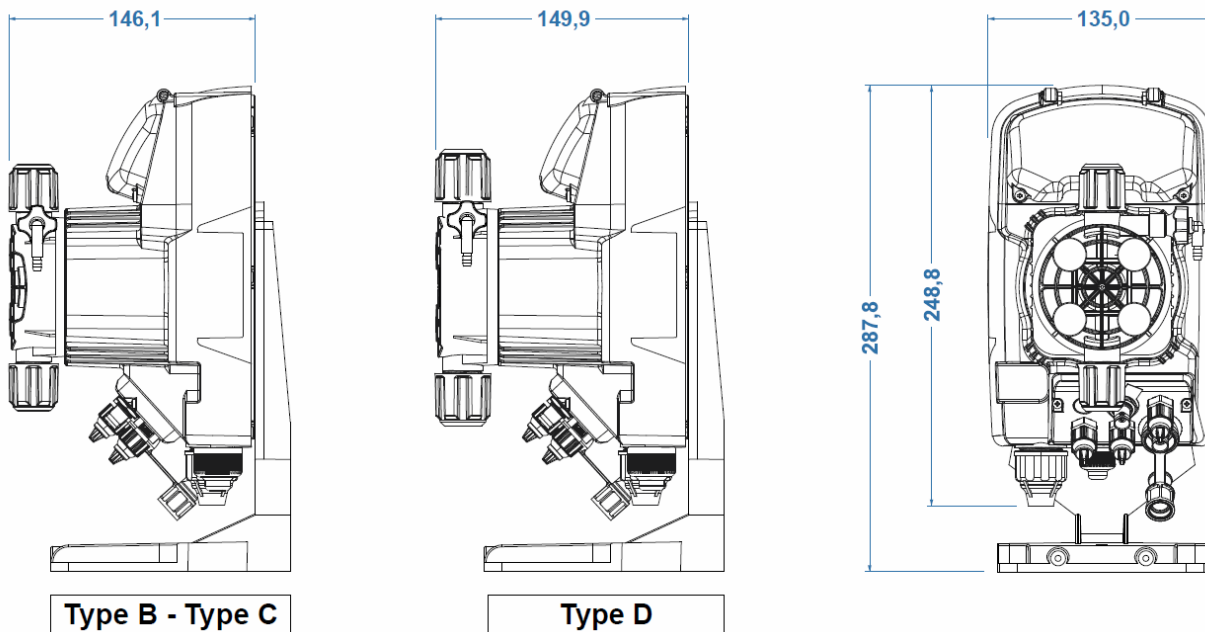
Manual digital - Solenoid Dosing Pump 75091-75092-75093

HYDRAULIC FEATURES

Code	Type	Pressure [bar]	Flow [l/h]	stroke/min	cc/imp	Connections		Power supply	Consumption	
						Suction	Delivery		Min	Max
75091	Type B	12	4,0	160	0,42	4/6	4/6	100÷240 Vac	17,0	22,0
		10	5,0		0,52					
		8	6,0		0,63					
		2	8,0		0,83					
75092	Type C	16	7,0	300	0,39	4/6	4/6	100÷240 Vac	22,0	33,0
		10	10,0		0,56					
		5	15,0		0,83					
		1	18,0		1,00					
75093	Type D	5	20,0	300	1,11	8/12	8/12	100÷240 Vac	29,0	37,0
		4	32,0		1,78					
		2	62,0		3,44					
		0	110,0		6,11					

The Pressure Data in the table refer to the measured parameters on the plant, including the use of standard injection fitting.

*Minimum consumption at 0 bar of backpressure (Patented)



INSTALLATION KIT

PVDF

PVDF Foot filter	•
PVDF Injection valve	•
PVC suction tube (4 m)	•
PE delivery tube (2 m)	•
Wall and base fixing bracket	•

Manual digital - Solenoid Dosing Pump 75091-75092-75093

CURVES

