

AUTOMATIC POOL COVER

SOLAR CAPCIR ECO MODEL



INSTALLATION AND MAINTENANCE MANUAL



Serial number:

Revision number: 007-2008-02-20

TABLE OF CONTENTS

- Personnel and material required for unloading and assembly	Page 02/17
- Components of the automatic pool cover	Page 03/17
- Positioning of the shaft over the pool	Page 04/17
- Cover roller installation over the pool	Page 05/17
- Slat Assembly	Page 07/17
- Slat direction	Page 08 /17
- Slat with melted caps Assembly	Page 09/17
- Stair Assembly	Page 10/17
- Designation	Page 11/17
- Plan of Wiring	Page 12/17
- Limit Switch Adjustment	Page 13/17
- Safety Brackets & Straps Positioning	Page 14; 15; 16; 17/17

Caution:

The Photovoltaic Panel Maximum Output depends on its position with the sun. We recommend positioning this panel towards the South.

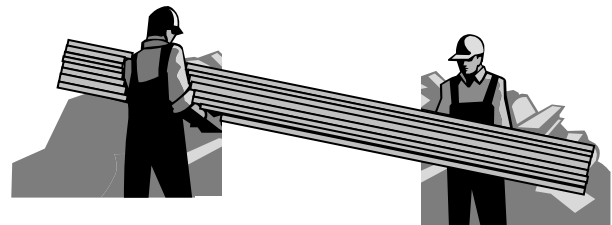
The structure is an element of ornament, do not sit down, do not climb on it, and do not use like solarium!



UNLOADING



OR



TOOLS REQUIRED FOR ASSEMBLY



Drill and drill bits for concrete Ø 6 and Ø10

Flat head screwdrivers

Phillips screwdrivers

Spirit level

10 - 13 – 17 wrench

Nippers

Wire strippers

5 and 6 mm Allen wrench

Hammer

Standard and long (10 m) measuring tape

Grease

Metal saw

Grinder with material disk



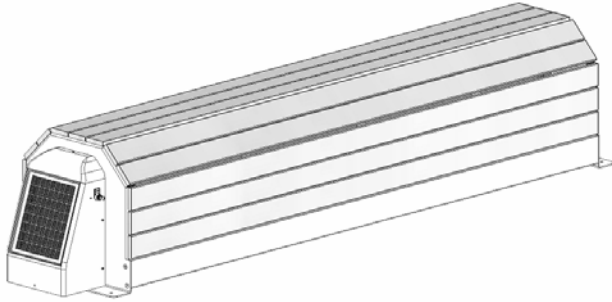
UNLOADING TIME



ASSEMBLY TIME

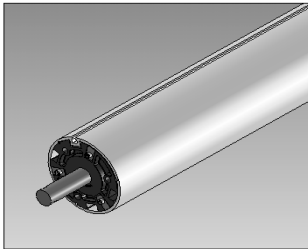


COMPONENTS OF THE AUTOMATIC POOL COVER

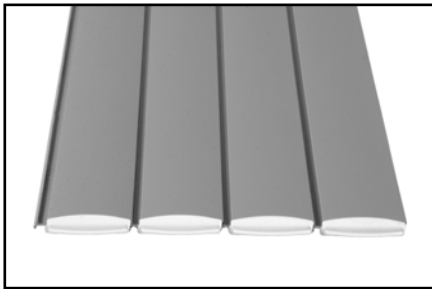


**1 Structure PVC or WOOD
(Shaft assembled on the structure):**

1 Motor stand with a Photovoltaic panel



Roller Shaft



Slats and fixing Brackets assembly

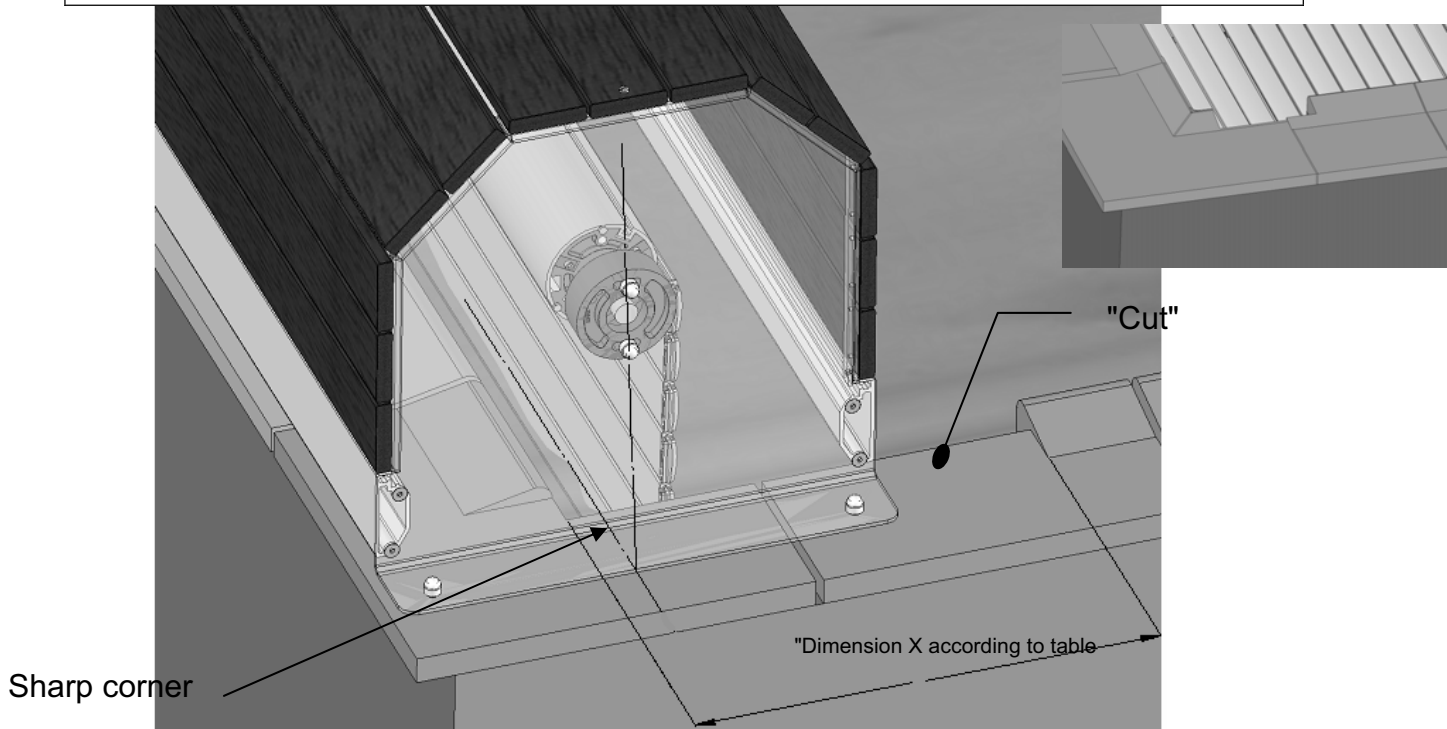


12 volts 12 amperes Battery

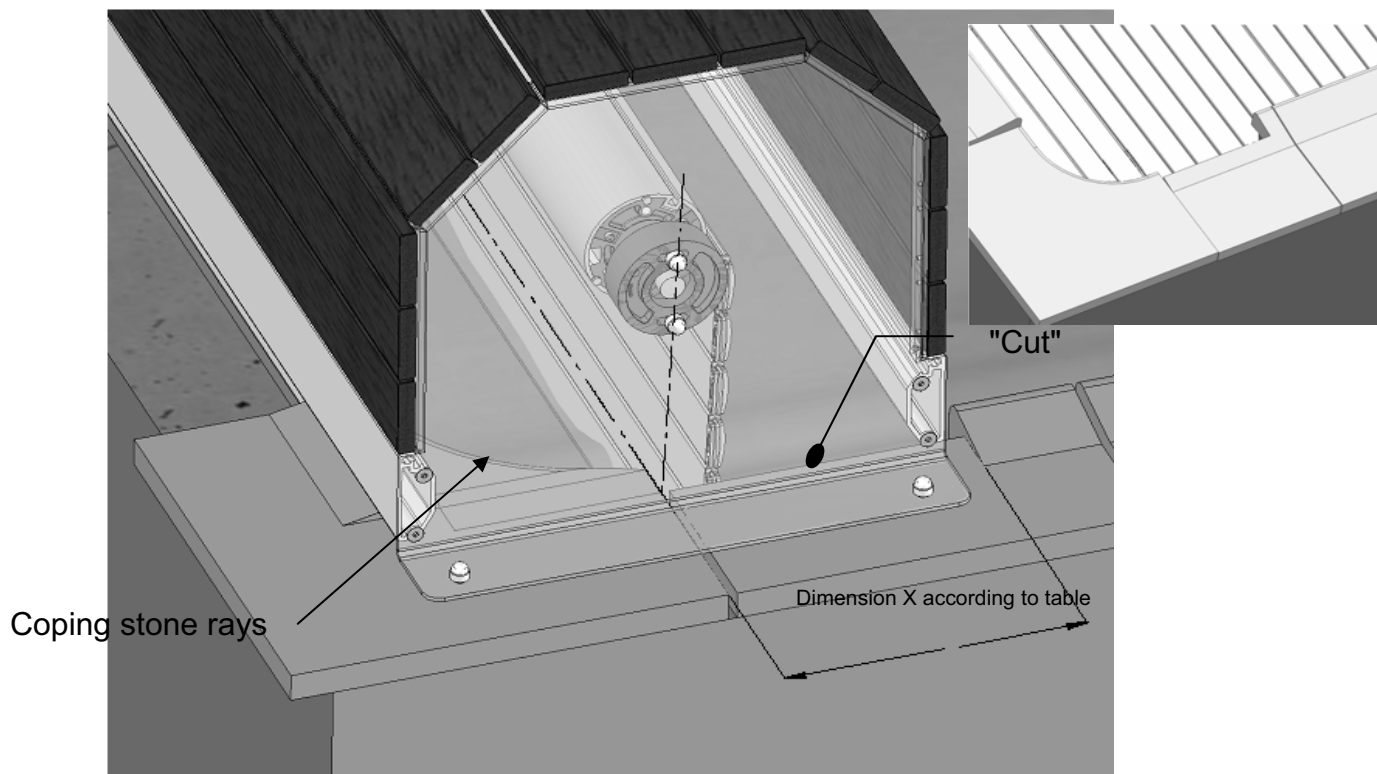


**Installation Instructions
Operation, care, winterising and maintenance instructions.**

POSITIONING WITH SHARP CORNERS



POSITIONING WITH RAYS

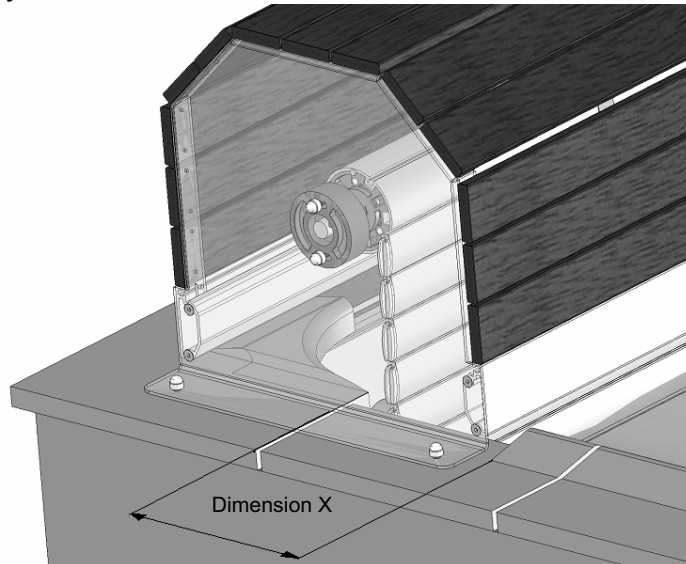


	POOL LENGTH					
Pool slats length	4 m	5 m	6 m	8 m	10 m	12 m
Dimension X in mm	250	265	285	305	335	350

Dimension X: Cut a piece of coping stone of variable length according to the diameter of slat roller, upon the roller shaft.

ROLLER INSTALLATION

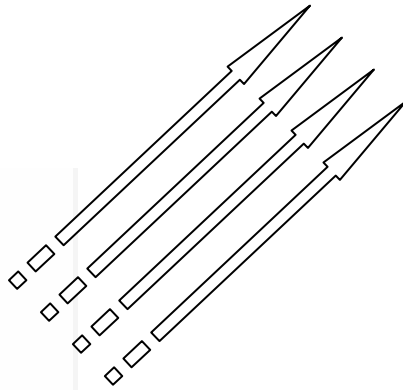
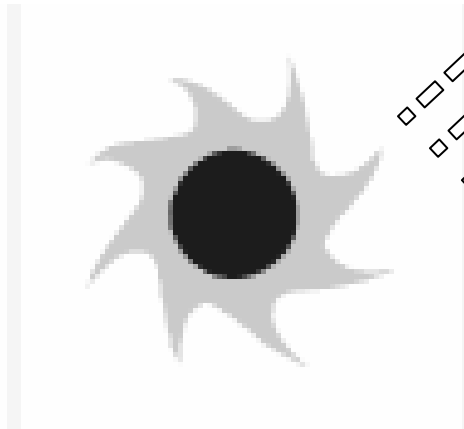
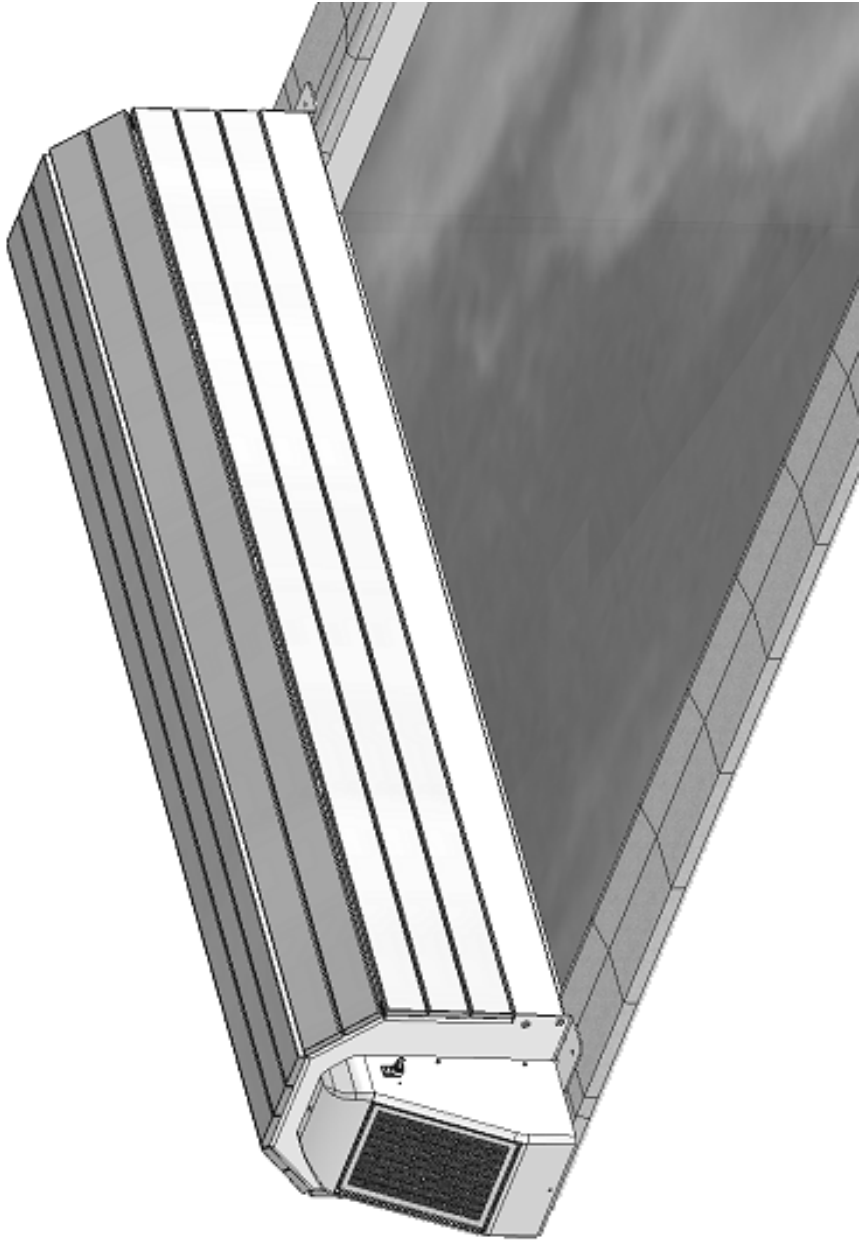
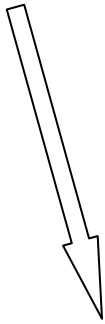
- Position the roller as indicated in the diagram, making sure it is properly centred with respect to the pool. **It must be perfectly horizontal when installed (diagonals dimensions)**.
- If there are rays, the roller should be pushed forward to the pool to enable the slats to lower properly in its full width.



- Mark the position of the roller stand and polish or flatten the coping stone to obtain a flat horizontal, even surface for placing the stands.
- Cut the coping stone (dimension X) to make it easier for the slats to be lowered over the pool. Dimension X may vary according to the length of the pool; roller (roller diameter on the roller shaft). (See page 05/18 table dim. X).
- After assembling the roller and making the adjustments, position the two roller stands to the final position on the coping stone, using M10×75 Stainless Steel Bolts.
- Not to position it too behind swimming pool in order to avoid the friction of the blades on the nose of curbstones when the cover is completely rolled up and this particularly in the center of the roller

Note: If the skimmers are fixed along the length of the pool, we recommend replacing their existing flanges with 2 mm thickness Stainless Steel flanges to easier the slats way and avoid their blockage.

**Orientation: to the
South required**

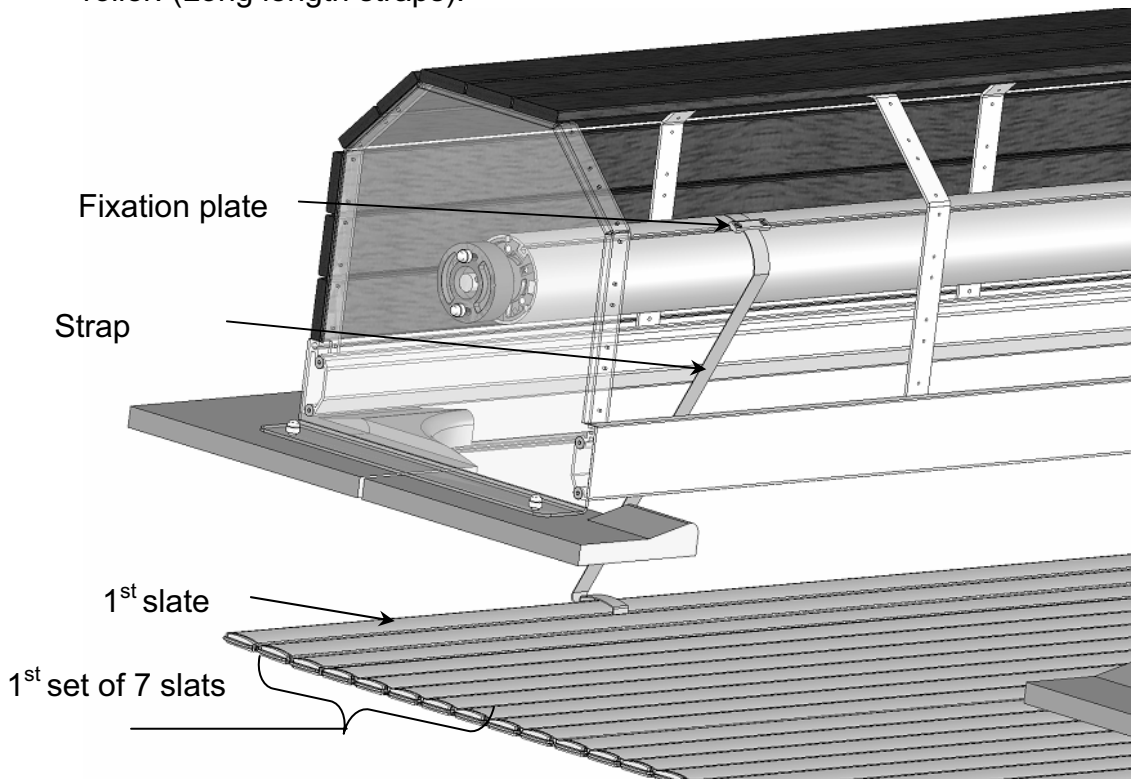


SLATS ASSEMBLY

* Immediately after taking the slats out of the packaging, they should be put into the water to prevent any possible deformation.

*The number of slats has been determined according to the length of the pool, though there are 4 extra slats.

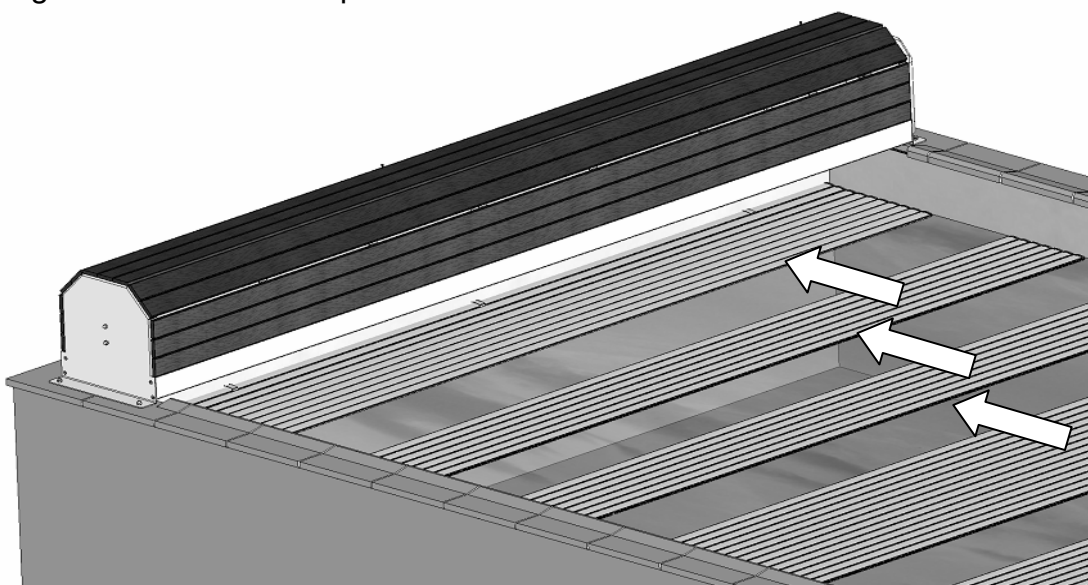
* The first set of slats is easily recognisable as it has the straps to be fastening to the roller. (Long length straps).



*Slide the strap under the fastening plates; tension it without pulling the slat out of the water

*Centre the cover in the pool leaving enough space on both sides.

*Tighten the attachment plates with a screwdriver



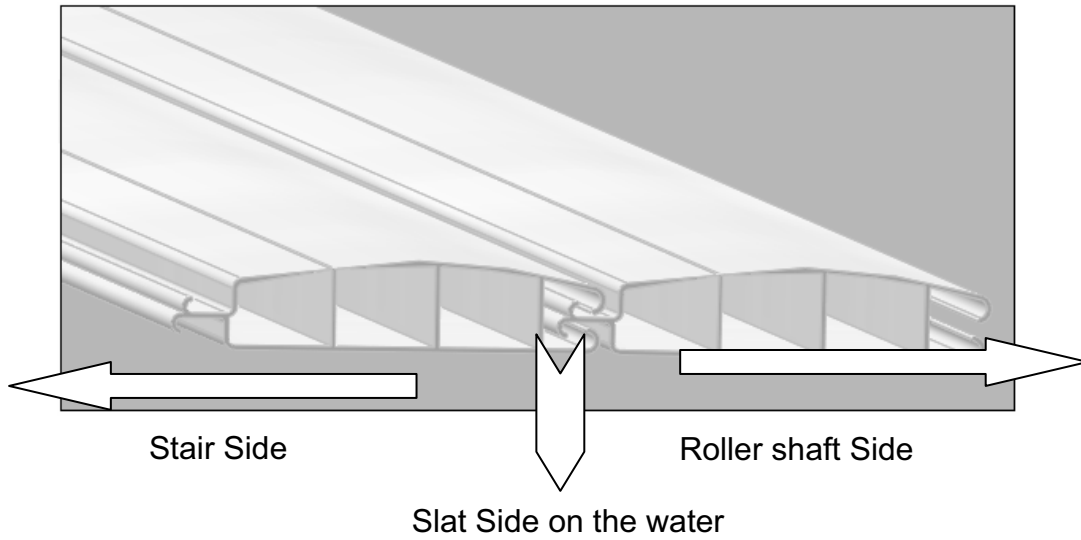
* Bring closer the set of 7 slats to assemble them.

Note: Slats should go down from the front of the roller shaft.

SLATS DIRECTION

- * Identify the upper side of the slats (curved side).
- * Identify the slats direction:

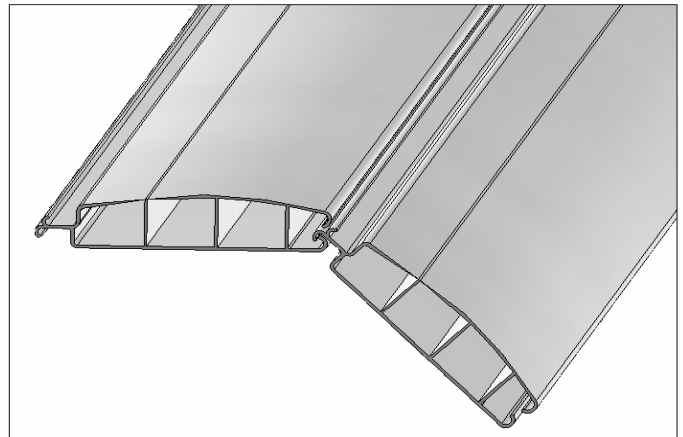
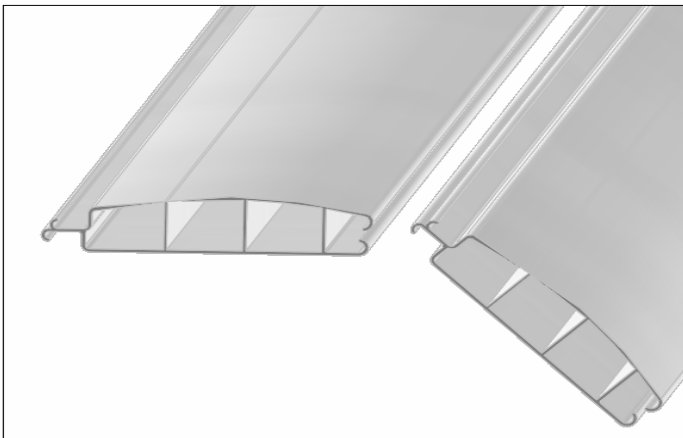
- Wing to the stair
- Groove to the roller shaft



SLATS ASSEMBLING

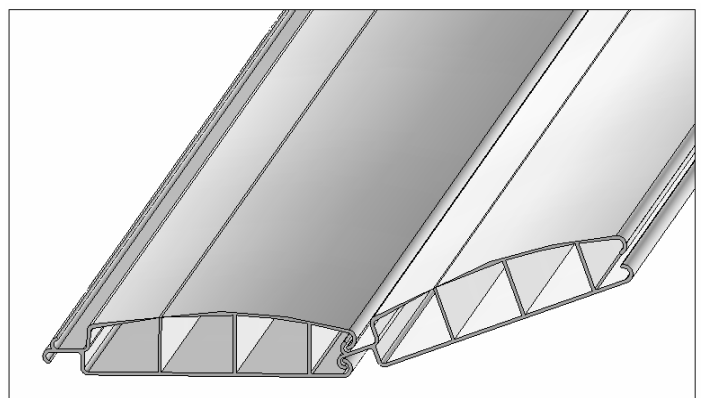
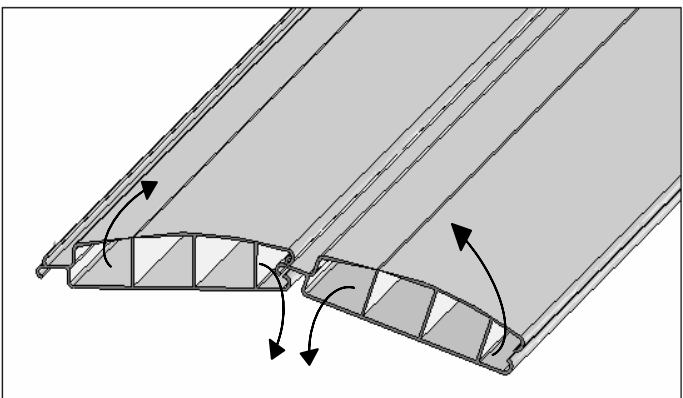
Phase 1: Join the slats

Phase 2: Join the wing to the groove

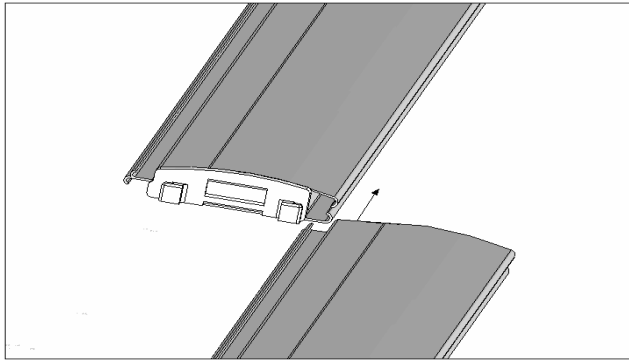


Phase 3: Move both slats down

Phase 4: Move them up and carry on with it until slats are perfectly engaged.

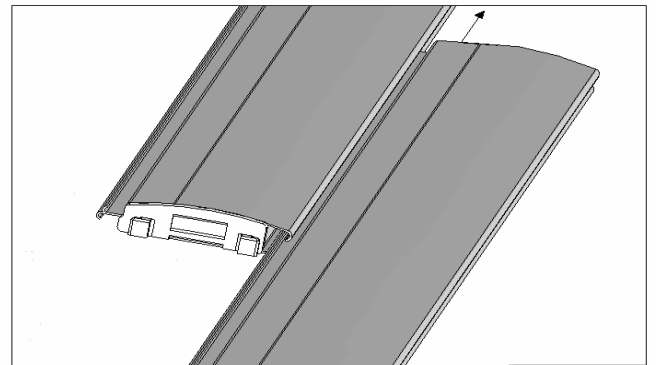


ASSEMBLING OF SLATS WITH MELTED CAPS:



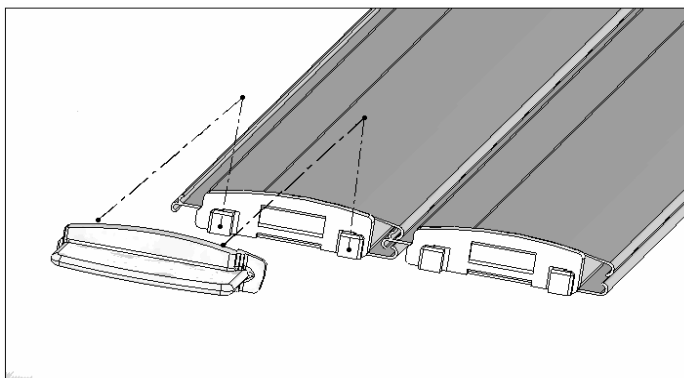
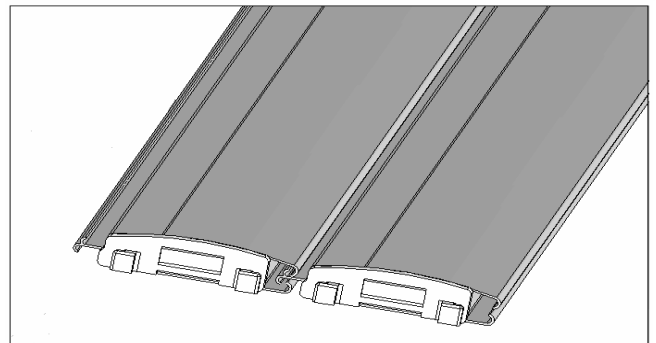
Phase 1:

Place both slats (see above) wing to groove. Be careful with the slats direction.



Phase 2:

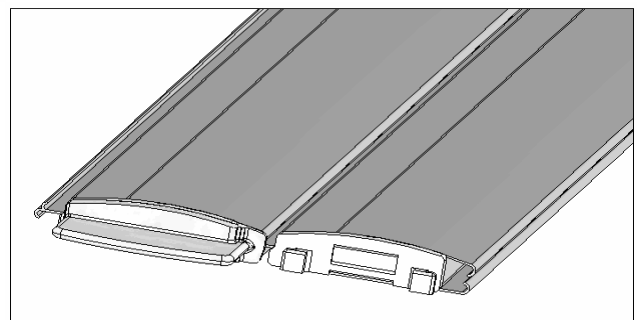
Slide the slats along. Stop it at the when the edges of of the slats are on line.



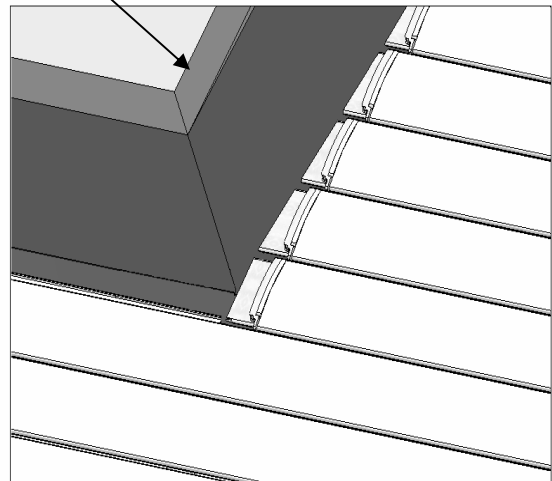
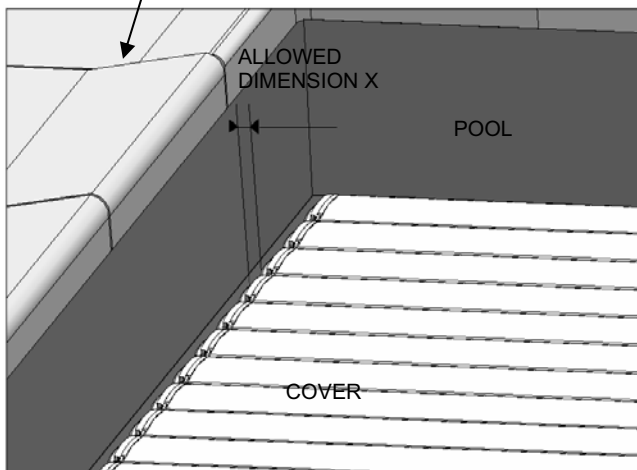
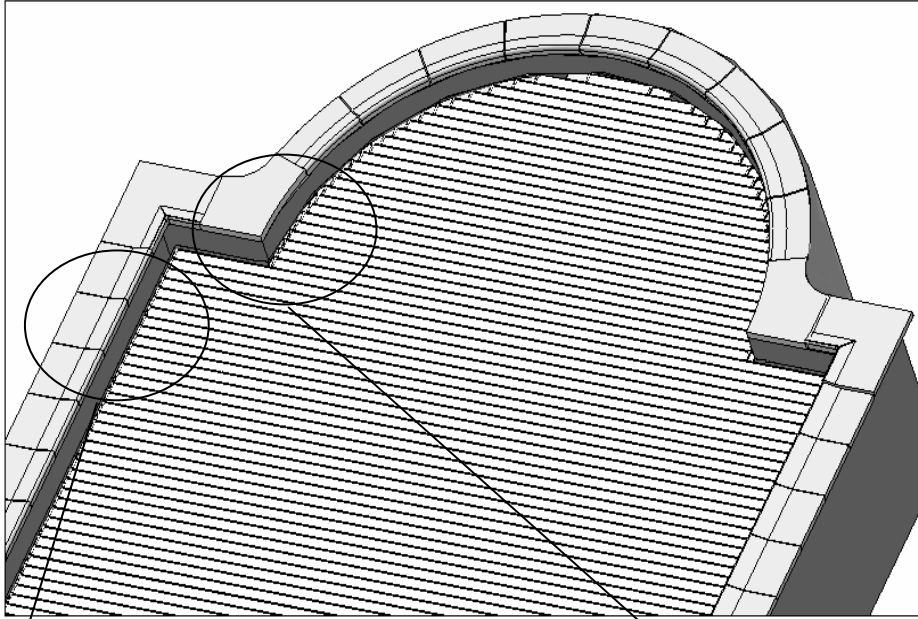
Phase 3:

Place the removable wing on to the slat and assemble the wing on to the cap

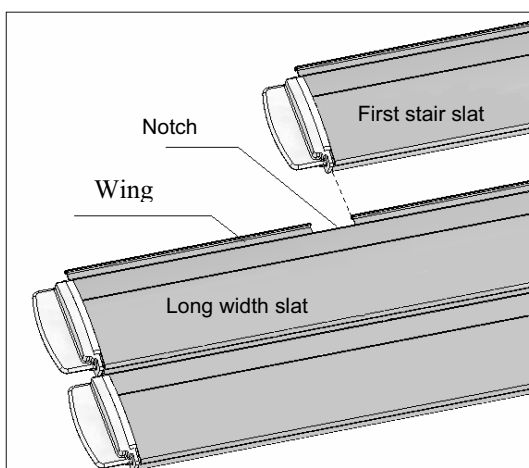
Do the same for the following ones.



STAIR SETTING



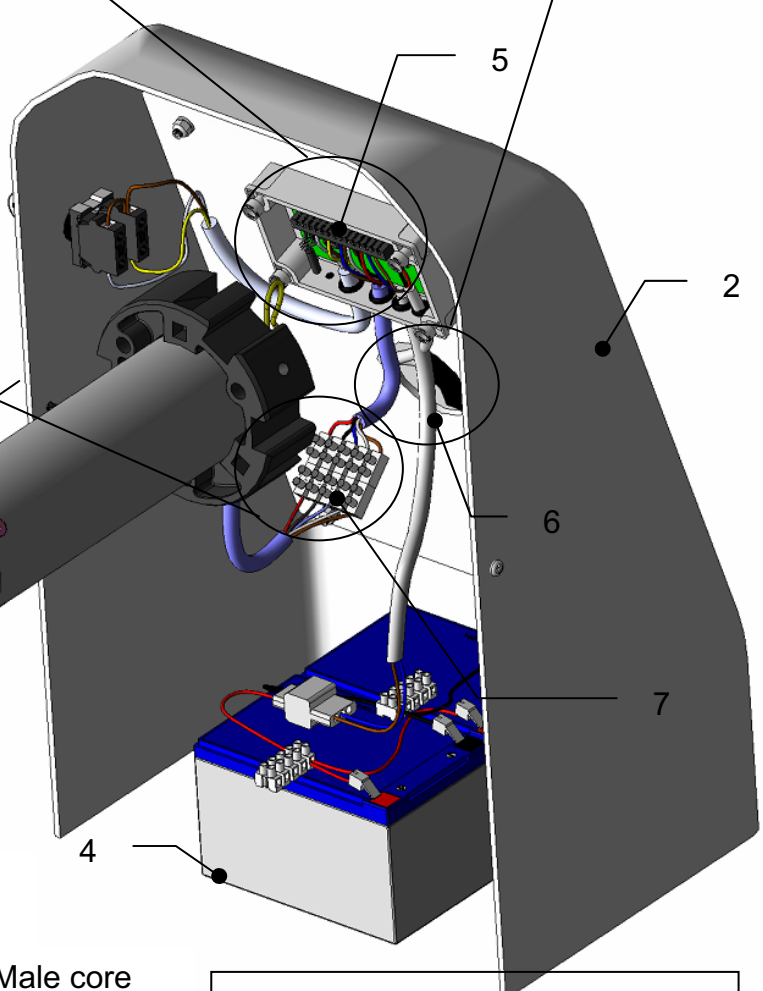
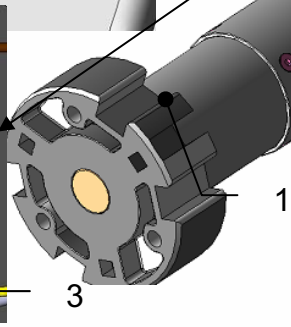
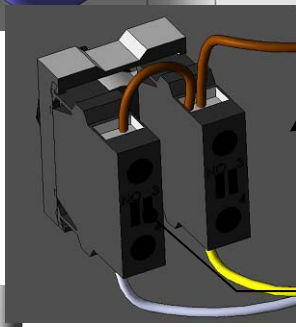
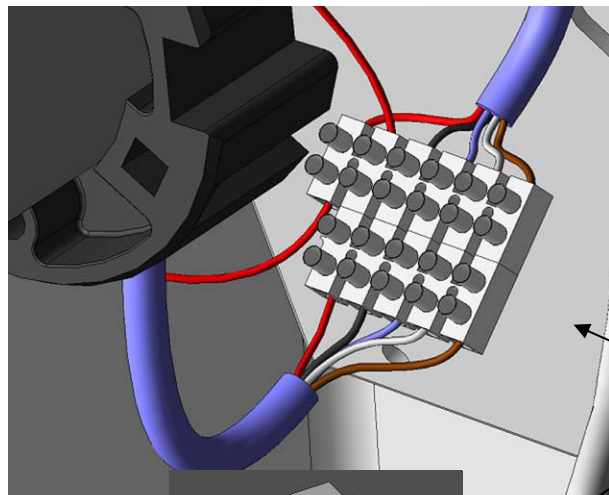
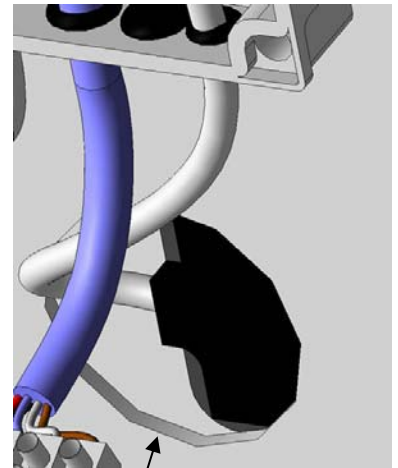
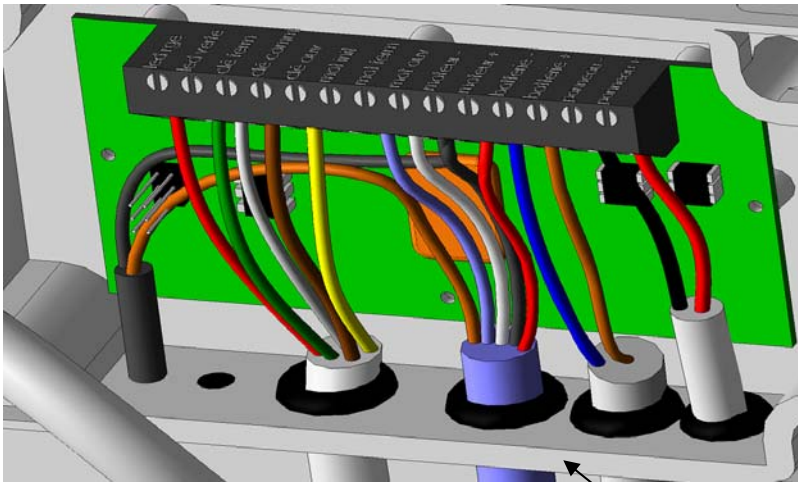
- 1°) Put the stair slats on the water
- 2°) Assemble the slats until the stairs are completely assembled.
- 3°) Centre the big width slats in the pool (allowed dimension X: from both sides of the pool)
- 4°) Centre the stair using this slat.



To assemble the stair slats to the pool slats, proceed as follows:

- ▶ Mark the position of both cap edges of the stair slat on the wing of the long width slat.
- ▶ Make two notches of a cap dimension on both sides of the stair on the wing of the long width slat without hurting the waterproof of the slat.

ELECTRICAL CONNECTIONS

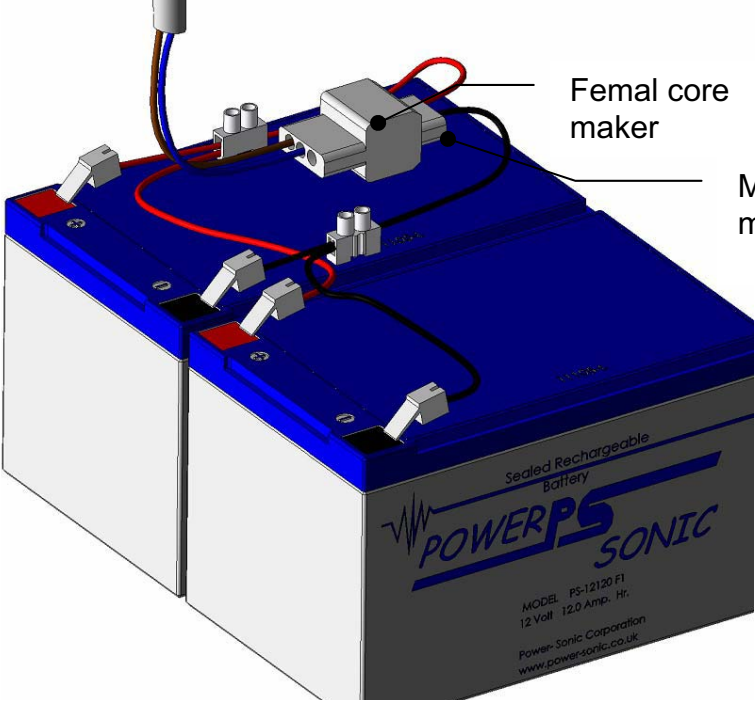


Femal core maker

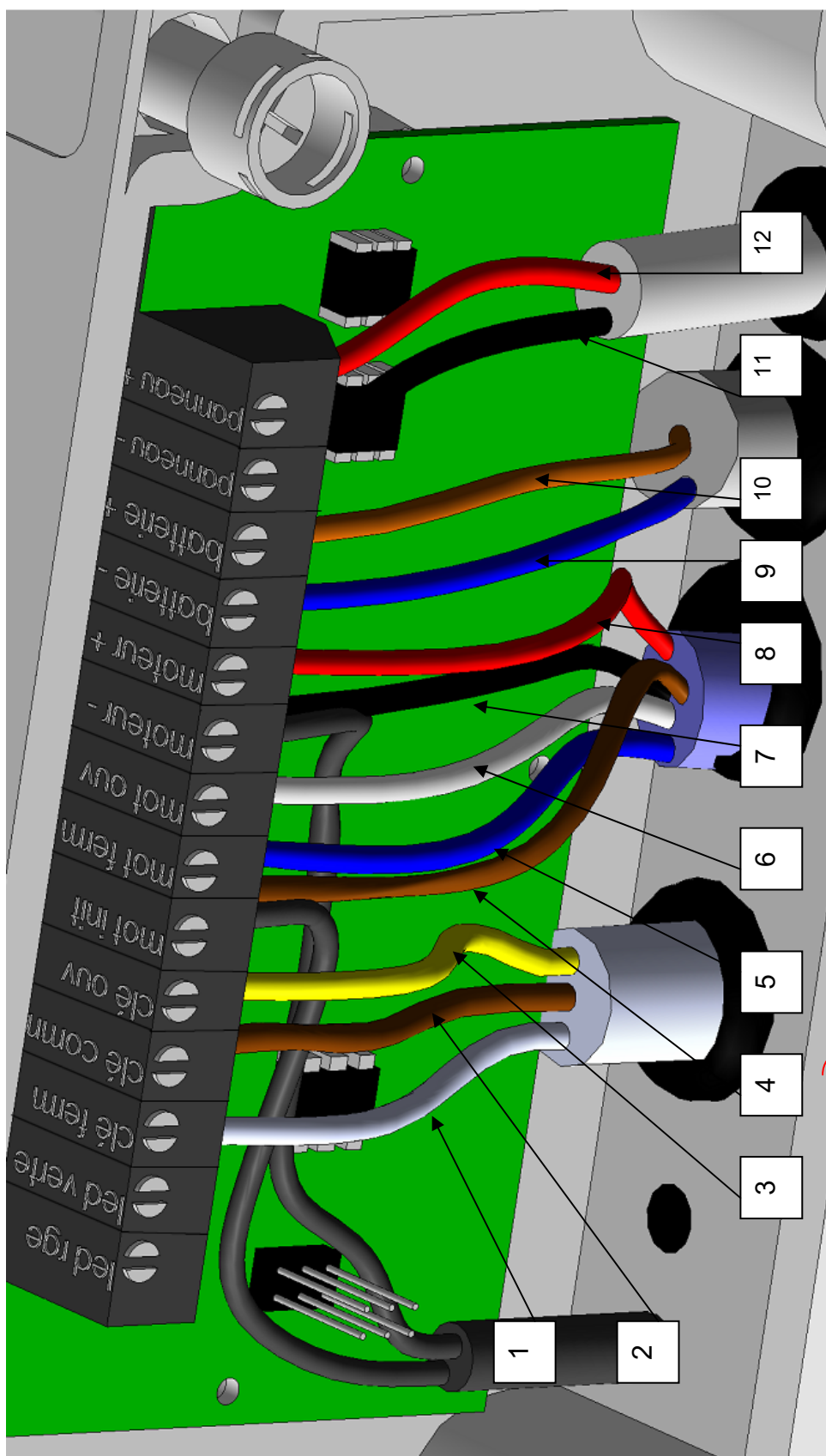
Male core maker

- 1: Motor
- 2: Motor stand
- 3: key switch
- 4: Batteries
- 5: Electronic box
- 6: Panel solar entry
- 7: Connexion motor

Note: GRIP ALL SCREWS SYSTEMATICALLY ON CONNECTOR CABLES!



PLAN OF WIRING

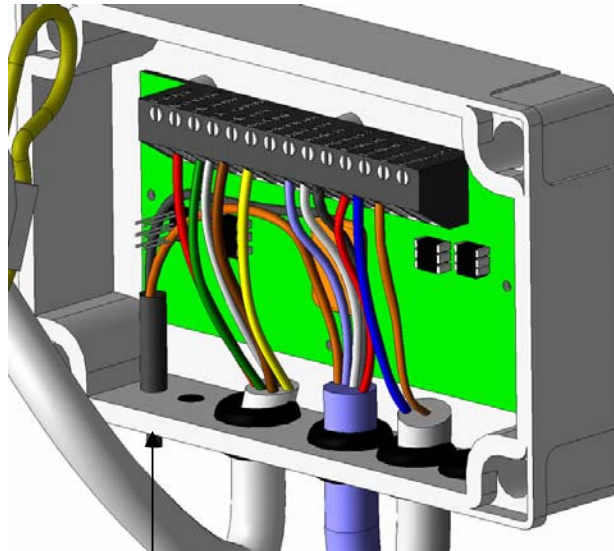


- 1: White Wire Key Lock
- 2: Brown Wire Common Key
- 3: Yellow Wire Opening Motor Control
- 4: Brown Wire Motor Starting Control
- 5: Blue Wire Motor Closing Control
- 6: White Wire Motor Opening Control
- 7: Black Wire - side - of the motor
- 8: Red Wire + side of the motor
- 9: Wire - side of the battery
- 10: Wire + of the battery
- 11: Wire - of the solar panel
- 12: Wire + of the solar panel

LIMIT SWITCH ADJUSTMENT

As the cover is unrolled in the pool, you must restart the Limit Switch Device before any adjustment attempt.

To start the system; press with a small screwdriver on the switch inside the connection box for 3 seconds



Restart switch

Make all limits switch adjustments when the cover is completely unrolled on the pool.

1. Adjustment of the Rolling up of the Cover:

Turn the switch key to Rolling up position and check the rotational direction of the motor. If required, interchange the yellow and white wires in the switch key.

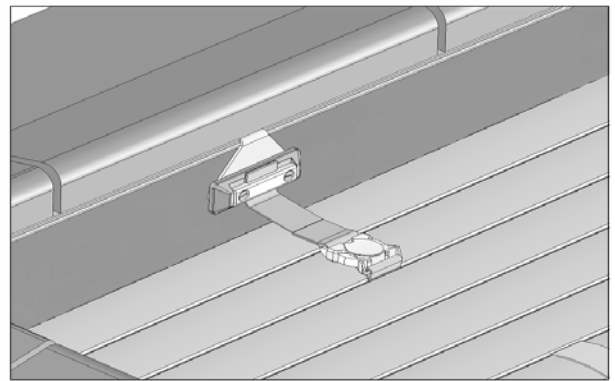
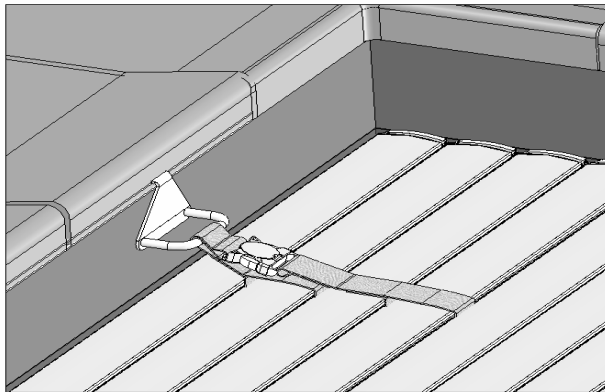
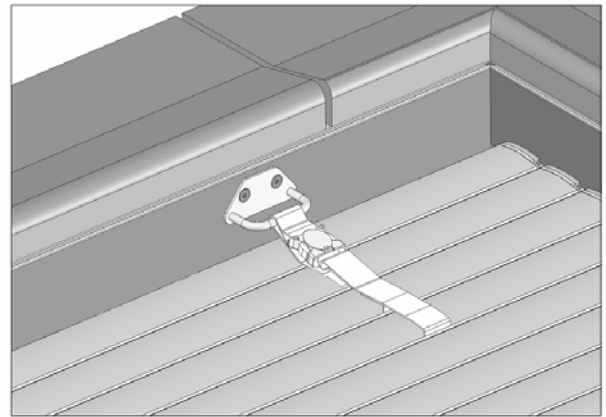
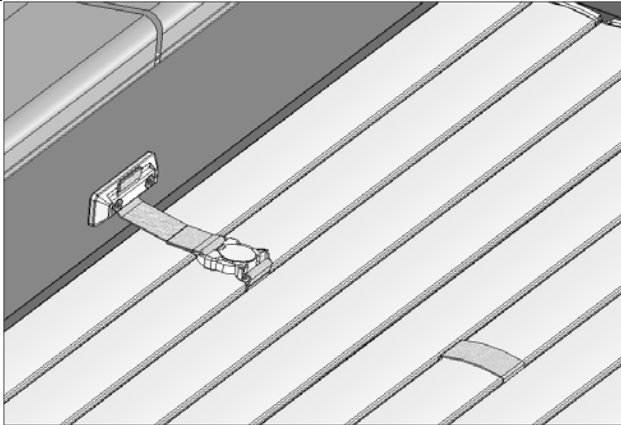
Roll up the cover in the position wanted; a fine adjustment by jolts is possible.

2. Adjustment of the Opening of the Cover:

Turn the switch key to Opening position until complete closing of the pool.
Open the cover in the position wanted; a fine adjustment by jolts is possible.
Come back behind about 1 meter to validate cycle

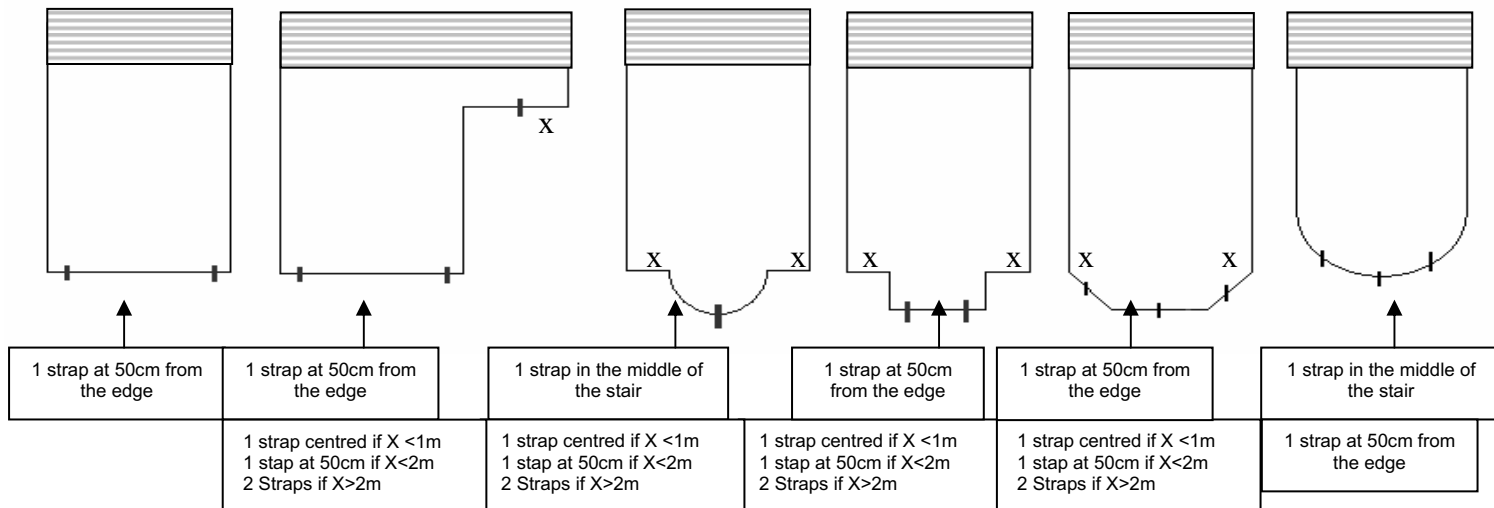
Note: The Limit Switch memorisation is only effective when the whole cycle is complete (Starting / Rolling up / Opening / come back about 1 meter).

BRACKET AND STRAP POSITION



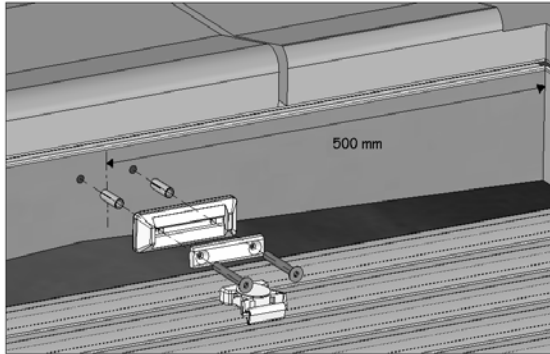
Warning: The position of the brackets is subject to the position of the skimmers in the pool. If these lasts bother the positioning of the safety Brackets, the positioning of the Brackets will be done taking into account the safety Brackets on the slats panels (If necessary move the straps)

POSITION OF BRACKETS AND THE STRAPS FOR THE CAPCIR MODEL

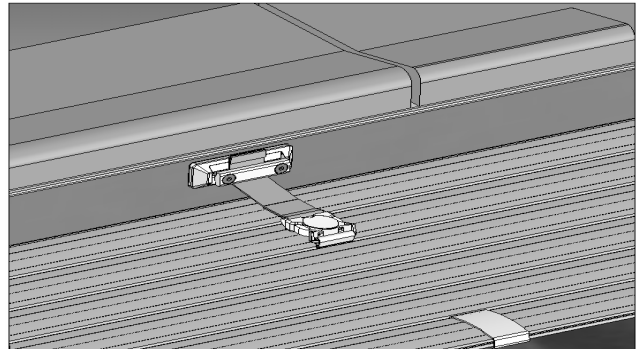


SAFETY BRACKETS POSITIONING:

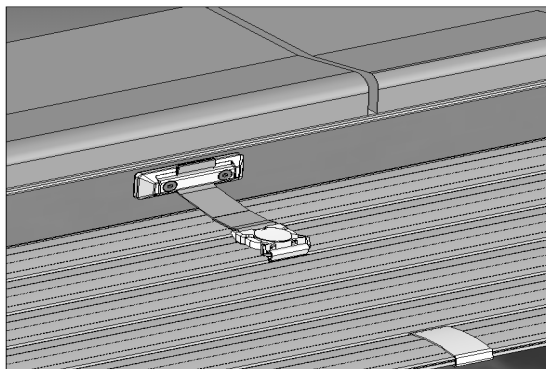
ABS BRACKETS:



1) When positioning the brackets make sure the shaft of the brackets is placed at 500 mm from the edge of the pool.

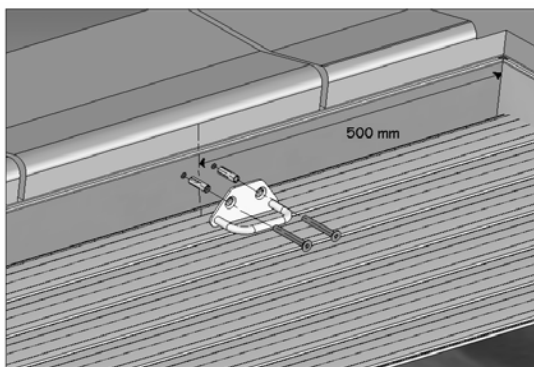


2) Pin the supports. Put the strap between the fixation plate and the bracket and keep the strap tense.

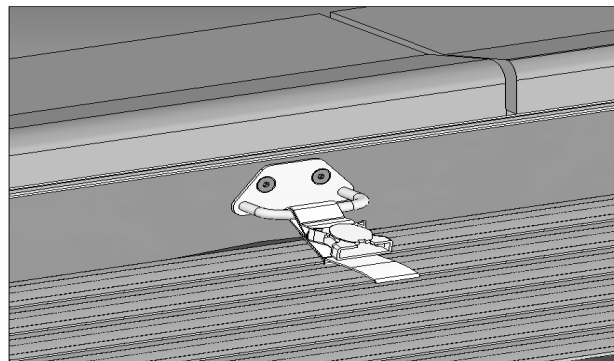


3) Tighten the screws until complete closing of the brackets.

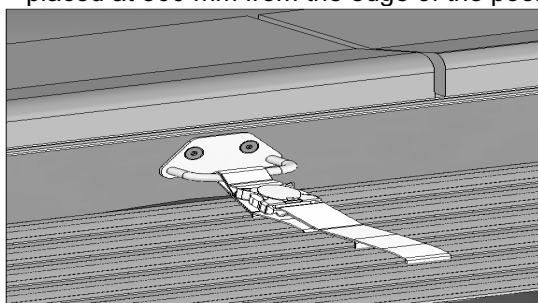
Bracket Inox to be fixed to the wall + screws:



1) When positioning the safety brackets the shaft of the brackets must be return type placed at 500 mm from the edge of the pool.

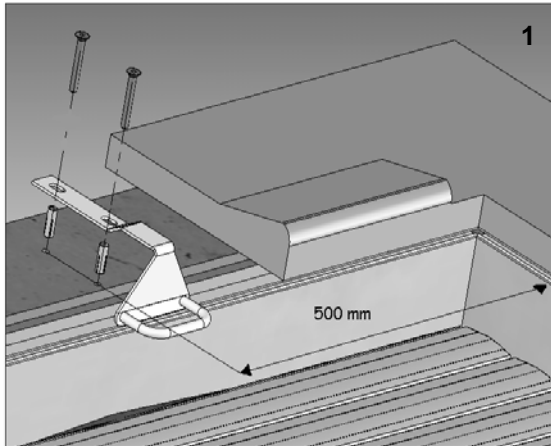


2) Screw the supports. Put the return safety strap.

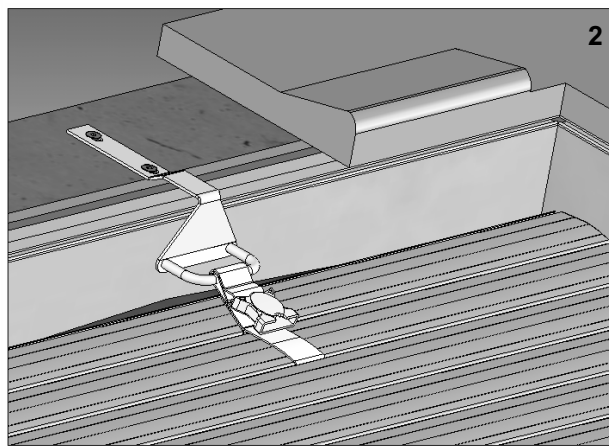


3) Clip both sides together.

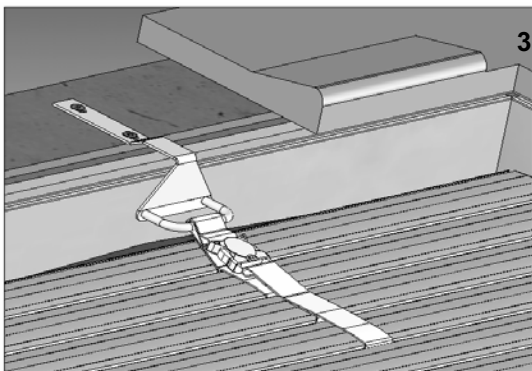
Inox Bracket for model under construction + screws:



1) When positioning the safety brackets, The shaft of the brackets must be put at 500 mm from the edge of the pool.

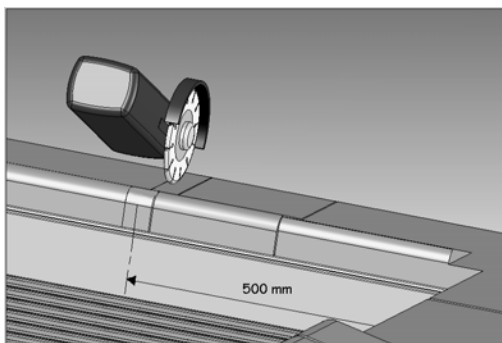


2) Put the pin M8 in the Ø10 wholes. Screw until complete closing of the brackets. Put the return safety strap in the brackets.

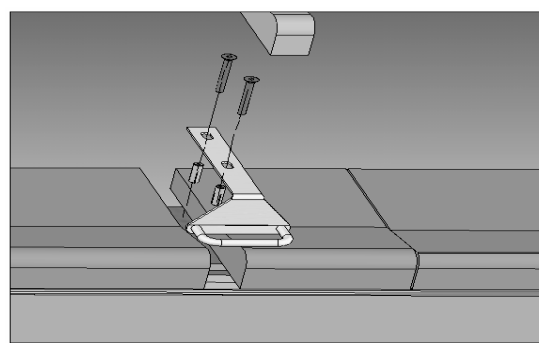
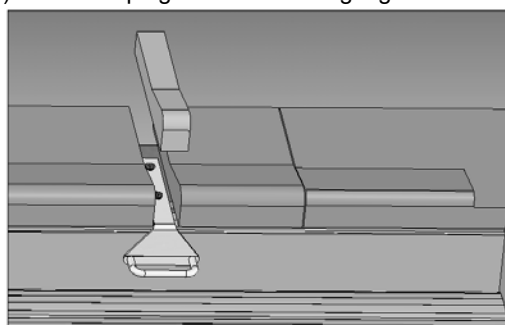


3) Clip both sides together.

Inox Brackets for renovation model + screws:



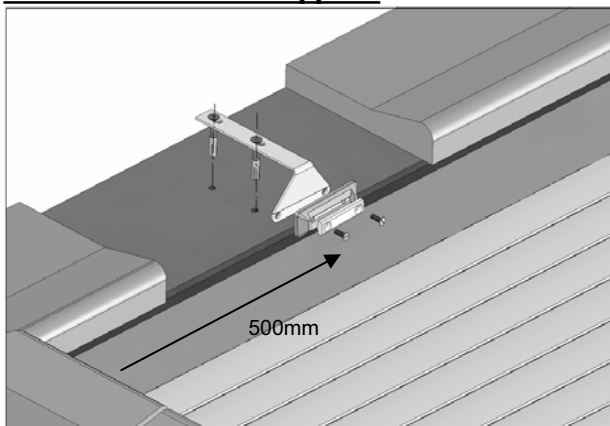
1) Cut the coping stone with a angle grinder



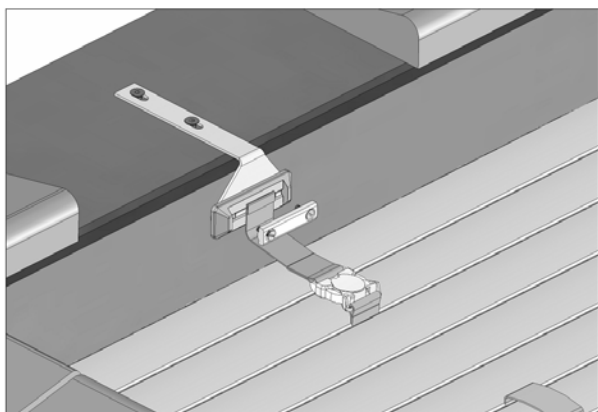
2) Make two Ø10 wholes. Place the M8 pin in the wholes. Screw until complete closing of the safety brackets.

Put the straps through as per drawings 2 and 3.

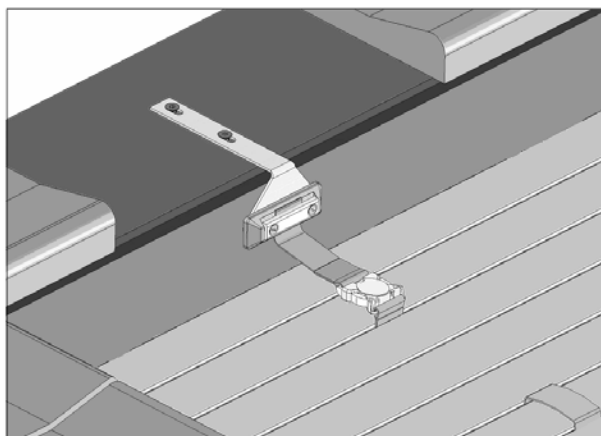
3) Replace the coping stone cut with an adequate product.

ABS brackets INOX support:

1) When placing the safety brackets, The shaft of the brackets must be placed at 500 mm from the edge of the pool.



2) Screw the supports. Put the strap through the fixation plate and the strap. Clip both sides of the strap and keep it tense.



3) Tighten the screws until complete closing of the brackets.

ATTESTATION DE CONFORMITE

aux exigences de sécurité de la norme NF P 90-308 (mai 2004)
Eléments de protection pour piscines enterrées non closes privatives à usage individuel ou collectif – Couvertures de sécurité et dispositifs d'accrochage

*Certificate of Conformity with the safety requirements of NF P 90-308 (May 2004) Standard
Protective elements for in-ground, barrier-free, private or collective use swimming pools – Safety covers and securing devices*

Type de couverture de sécurité : Volet automatique hors-sol
Type of safety cover:

Modèle : CAPCIR
Model

Fabricant : EUROPEENNE DE COUVERTURE AUTOMATIQUE
Manufacturer:
661 rue J.B. Biot – Espace Polygone
66000 PERPIGNAN

Demandeur de l'attestation : EUROPEENNE DE COUVERTURE AUTOMATIQUE
Applicant
661 rue J.B. Biot – Espace Polygone
66000 PERPIGNAN

Au vu du rapport d'examen sur dossier référencé **E020017/CQPE/8**, la couverture essayée est déclarée conforme aux exigences du document de référence.

On the basis of the results contained in the report reference E020017 /CQPE/8, the safety cover tested is declared in conformity with the requirements of the above referenced document.

Trappes, le 15 novembre 2004

Le Chef de la Division
Produits pour l'Enfance
Head of Childhood Products Division



Nicole COURCAULT



Cette attestation est délivrée dans les conditions suivantes :

1. Elle ne s'applique qu'à l'article essayé et pour les essais réalisés ou pour les informations qui sont consignés dans le rapport référencé ci-dessus. "Le LNE décline toute responsabilité en cas de non-conformité d'un des éléments de l'article essayé pour lequel le demandeur a fourni au LNE un certificat ou une garantie de la conformité aux normes en vigueur, le demandeur étant seul responsable de la véracité des documents qu'il produit au LNE."
2. Elle n'implique pas qu'une procédure de surveillance ou de contrôle de fabrication ait été mise en place par le LNE.
3. La conformité à la norme référencée ci-dessus n'exonère pas de la conformité à la réglementation en vigueur.
4. Des copies peuvent être délivrées sur simple demande auprès du demandeur.

This certificate is issued under the following conditions:

1. *It applies only to the tested item and to the tests or information specified in the report referenced above. "The LNE declines any responsibility in the event of non conformity for one of the elements of the article tested for which the applicant provided to the LNE a certificate or a guarantee of the compliance with the standards in force, the applicant being the only person responsible of the veracity of the documents that he produces to the LNE."*
2. *It does not imply that LNE has performed any surveillance or control of its manufacture.*
3. *The conformity to the above referenced standard does not exempt from the conformity to the regulation in force.*
4. *Copies are available upon request by the applicant.*



WE RESERVE THE RIGHT TO CHANGE ALL OR PART OF THE FEATURES OF ARTICLES OR
CONTENTS OF THIS DOCUMENT, WITHOUT PRIOR NOTICE