

**EN** HEAT PUMPS for above and inground pools

**IT** POMPA DI CALORE per piscine fuori terra e interrata

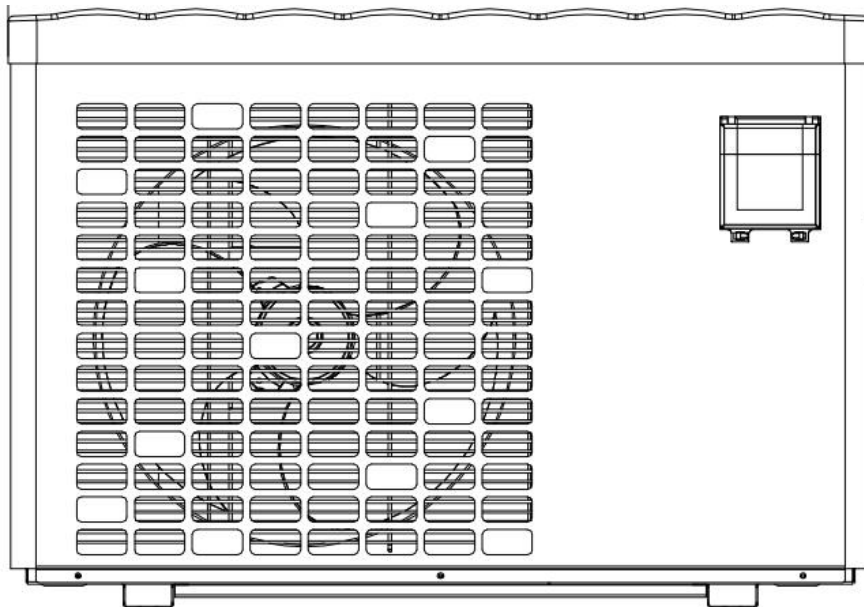
**ES** BOMBAS DE CALOR para piscinas sobre suelo y enterradas

**NL** WARMTEPOMP voor verwijderbare en ingebouwde zwembaden

**FR** POMPES À CHALEUR pour piscines hors sol et enterrées

**PT** BOMBAS DE CALOR para piscinas elevadas e enterradas

**DE** WÄRMEPUMPE für Aufstell-und Einbaubecken



Owner's Manual - Manual de Instrucciones  
Manuel d'instructions - Bedienungsanleitung  
Manuale delle istruzioni  
Handleiding met instructies  
Manual de instruções







## INDEX FOR DIFFERENT LANGUAGES

English manual.....	1~39
Manual en Español .....	40~82
Notice en Français.....	83~123
Deutsches Handbuch.....	124~168
Manuale Italiano.....	169~209
Netherland manual.....	210~252
Manual Português.....	253~294
Warranty.....	295~299





 **WARNINGS**

	<p>This symbol shows that information is available such as the Operating Manual or Installation Manual.</p>		<p>This symbol shows that this appliance uses R32, a low burning velocity refrigerant.</p>
	<p>This symbol shows that the Operation Manual should be read carefully.</p>		<p>This symbol shows that service personnel should be handling this equipment with reference to the Installation Manual.</p>

**GENERAL WARNINGS**

- Failure to respect the warnings may cause serious damage to the pool equipment or cause serious injury, even death.
- Only a person qualified in the technical fields concerned (electricity, hydraulics or refrigeration) is authorised to carry out maintenance or repair work on the appliance. The qualified technician working on the appliance must use/wear personal protective equipment (such as safety goggles and protective gloves, etc.) in order to reduce the risk of injury occurring when working on the appliance.
- Before handling the appliance, check that it is switched off and isolated.
- This appliance is not intended for use by individuals (including children, over the age of 8) lacking in experience or with impaired physical, sensory or mental capabilities, unless: they receive supervision and are instructed on how to use the appliance by a person responsible for their safety; and if they understand the hazards involved.
- Children must be supervised to ensure that they do not play with the appliance.
- The appliance must be installed according to the manufacturer’s instructions and in compliance with local and national standards. The installer is responsible for installing the appliance and for compliance with national installation regulations. Under no circumstances may the manufacturer be held liable in the event of failure to comply with applicable local installation standards.
- For any work other than the simple user maintenance described in this manual, the product should be referred to a qualified professional.
- Incorrect installation and/or use may cause serious damage to property or serious injuries (possibly causing death).
- If the appliance suffers a malfunction, do not try to repair it yourself; instead contact a qualified technician.
- Deactivating, eliminating or by-passing any of the safety mechanisms integrated into the appliance shall automatically void the warranty, in addition to the use of spare parts manufactured by unauthorised third-party manufacturers.
- Do not spray insecticide or any other chemical (flammable or non-flammable) in the direction of the appliance, as this may damage the body and cause a fire.
- Do not touch the fan or moving parts and do not place objects or your fingers in the vicinity of the moving parts when the appliance is in operation. Moving parts can cause serious injury or even death.

**WARNINGS ASSOCIATED WITH ELECTRICAL APPLIANCES**

- The power supply to the appliance must be protected by a dedicated 30 mA Residual Current Device (RCD), complying with the standards and regulations in force in the country in which it is installed.
- Do not use any extension lead when connecting the appliance; connect the appliance directly to a suitable power supply.
- Before carrying out any operations, check that:
  - The voltage indicated on the appliance information plate corresponds to the mains voltage.

-The power grid must be adapted to the power requirements of the appliance, and is grounded.

- Do not disconnect and reconnect the appliance to the power supply when in operation.
- Do not pull on the power cord to disconnect it from the power supply.
- If the power cord is damaged, it must be replaced by the manufacturer, its technician or a qualified person to guarantee safety.
- Do not perform maintenance or servicing operations on the appliance with wet hands or if the appliance is wet.
- Before connecting the appliance to the power supply, check that the connection unit or socket to which the appliance will be connected is in good condition and shows no signs of damage or rust.
- In stormy weather, disconnect the appliance from the power supply to prevent it from suffering lightning damage.
- Do not immerse the appliance in water or mud.

## **WARNINGS CONCERNING APPLIANCES CONTAINING REFRIGERANT R32**

- R32 refrigerant is classed under category A2L as mildly flammable.
- Do not release R32 fluid into the atmosphere. These are fluorinated greenhouse gases, covered by the Kyoto Protocol, with a Global Warming Potential (GWP) of 675 (European regulation EU 517/2014).
- The appliance must be stored in a well-ventilated location away from all ignition sources.
- Install the unit outdoors. Do not install the unit indoors or in an enclosed and non-ventilated outdoor location.
- Do not use means for accelerating the defrosting or cleaning process other than those recommended by the manufacturer.
- The appliance must be stored in a room without any permanent ignition source (such as open flames, operating gas appliance or operating electric heating).
- Do not perforate or incinerate.
- Please note that R32 refrigerant may give off a certain odour.
- In order to comply with the applicable standards and regulations in terms of the environment and installation, in particular French decree No. 2015-1790 and/or European regulation EU 517/2014, a leak test must be performed on the cooling circuit at least once a year. This operation must be carried out by a specialist certified to test cooling appliances.
- Please keep the display controller in a dry area, or well close the insulation cover to protect the display controller from being damaged by humidity.

## **INSTALLATION AND MAINTENANCE**

- The appliance may not be installed close to combustible materials, or the air duct inlet of an adjacent building.
- With some appliances, it is essential to fit a "protection grid"-type accessory if the unit is installed in an area with uncontrolled access.
- During installation, troubleshooting and maintenance, pipes may not be used as steps: the pipe could break under the weight, spilling refrigerant and possibly causing serious burns.
- When servicing the appliance, the composition and state of the heat transfer fluid must be checked, as well as the absence of any traces of refrigerant.
- During the annual appliance sealing test in accordance with applicable legislation, the high and low pressure switches must be checked to ensure that they are securely fastened to the refrigerant circuit and that they cut off the electrical circuit when tripped.
- During maintenance work, ensure there are no traces of corrosion or oil around the cooling components.
- Before beginning work on the cooling circuit, stop the appliance and wait for a few minutes before fitting the temperature and pressure sensors. Some elements such as the compressor and piping may reach temperatures in excess of 100°C and high pressures with the consequent risk of severe burns.
- Do not braze or weld the pipe if there is refrigerant inside machine. Please do not charge the gas when in a confined space.

## **MAINTENANCE : WARNINGS CONCERNING APPLIANCES CONTAINING R32 REFRIGERANT**

### ***Area check***

- Before starting work on systems containing flammable refrigerants, safety checks must be carried out to guarantee a minimal ignition risk.

***Work procedure***

- The work must be carried out according to a controlled procedure in order to reduce the risks of releasing a flammable gas or vapour while working.

***General work area***

- All maintenance staff and other personnel working in the surrounding area must be made aware of the work carried out. Work conducted in enclosed areas must be avoided.

***Check for the presence of refrigerant***

- The area must be analysed using a suitable refrigerant detector before and during work so that the technician is informed of the presence of a potentially toxic or flammable atmosphere. Check that the leak detection equipment used is suitable for use with all refrigerants concerned, i.e. that it does not cause a spark, is correctly isolated or is entirely safe.

***Check for the presence of a fire extinguisher***

- If work must be carried out on the cooling equipment or any part associated therewith at a certain temperature, suitable fire extinguishing means must be within reach. Place a dry chemical fire extinguisher or CO<sub>2</sub> fire extinguisher near the work area.

***No source of ignition***

- No person carrying out work on a cooling system involving exposing the piping may use any ignition source, which could create a fire or explosion risk. All possible ignition sources, in particular cigarettes, must not enter within a sufficient perimeter of the installation, repair, removal or disposal site, in the event that refrigerant could be released into the surrounding space. Before starting the work, the area around the equipment must be examined to check for all fire or ignition risks. "No smoking" signs must be displayed.

***Area ventilation***

- Before accessing the unit in any manner whatsoever with the intention of performing any maintenance task, check that the area is open and well-ventilated. Suitable ventilation must be provided throughout the maintenance task to allow any refrigerant that could be released into the atmosphere to be safely dispersed.

***Refrigeration equipment check***

- The manufacturer's recommendations in terms of care and maintenance must always be complied with. When replacing electric components, check that components used are of the same type and category as those recommended/approved by the manufacturer. When in doubt, contact the manufacturer's technical department for assistance.
- The following checks must be applied to installations using flammable refrigerants:
  - the markings on the equipment must remain visible and legible; any illegible markings or signs must be rectified;
  - the hoses or components of the cooling circuit are installed in a position where they are unlikely to be exposed to any substance capable of corroding the components containing refrigerant, unless the components are made from materials that are typically corrosion-proof or correctly protected from such corrosion.

***Electric component check***

- The repair and maintenance of electric components must include initial safety checks and component inspection procedures. If a defect capable of jeopardising safety arises, no power supply must be connected to

the circuit until the problem has been completely resolved. If the defect cannot be rectified immediately and if maintenance work must continue, an appropriate temporary solution must be found. This must be reported to the equipment's owner so that all persons concerned are made aware.

- The repair and maintenance of electric components must include the following initial safety checks:

- the capacitors are discharged: this must be carried out safely to prevent all risks of ignition;
- no electric component or live wiring is exposed while charging, overhauling or draining the system;
- the system must be grounded at all times.

#### ***Repair of insulated components***

- When repairing insulated components, all power sources must be disconnected from the equipment on which the work is being carried out before removing the insulating cover, etc. If the equipment must be powered during maintenance work, a leak detector must continuously monitor for leaks at the most critical point in order to report any potentially hazardous situation.
- Particular attention must be paid to the following points to ensure that, when performing work on the electric components, the housing is not altered to the point of affecting the protection rating. This includes damaged wires, an excessive number of connections, terminals that do not comply with the original specifications, damaged seals, incorrect installation of the cable glands, etc.
- Make sure that the appliance is properly fixed.
- Make sure that the seals or insulating materials are not deteriorated to the point that they no longer prevent a flammable atmosphere from penetrating the circuit. Spare parts must be compliant with the manufacturer's specifications.

#### ***Repair of intrinsically safe components***

- Do not apply any permanent electric capacitance or induction charge to the circuit without checking that it does not exceed the allowed voltage and intensity for the equipment being used.
- Typically safe components are the only types on which work can be carried out in the presence of a flammable atmosphere when live. The test appliance must fall under a suitable classification.
- Only replace components with parts specified by the manufacturer. Other parts could cause the refrigerant to leak and ignite in the atmosphere.

#### ***Wiring***

- Check that the wiring shows no signs of wear, corrosion, excessive pressure, vibration, cutting edges or any other detrimental environmental effect. The check must also take into account the effects of ageing or continuous vibrations caused by sources such as compressors or fans.

#### ***Detection of flammable refrigerant***

- Under no circumstances must potential ignition sources be used to search for or detect refrigerant leaks. A halide torch (or any other detector using a naked flame) must not be used.
- The following leak detection methods are considered to be acceptable for all cooling systems.
- Electronic leak detectors can be used to detect refrigerant leaks; however, in the case of flammable refrigerants, the sensitivity level may not be suitable or recalibration may be necessary. (The detection equipment must be calibrated in an area devoid of refrigerant). Check that the detector is not a potential ignition source and is appropriate for the refrigerant used. The leak detection equipment must be adjusted to a percentage of the refrigerant's LFL and must be calibrated according to the refrigerant used. The appropriate gas percentage (25% at most) must be confirmed.
- Leak detection fluids are also suited for use with most refrigerants, however the use of detergents containing chlorine must be avoided since it could react with the refrigerant and cause corrosion to the copper piping.
- If a leak is suspected, all naked flames must be removed/extinguished.
- If a refrigerant leak is detected and requires soldering, the entire quantity of refrigerant must be removed from the system or isolated (by way of shut-off valves) in part of the system located away from the leak.

## ***Removal and discharge***

- When accessing the cooling circuit to carry out repairs, or for any other reason, conventional procedures must be employed. However, for flammable refrigerants, the recommendations must be complied with in order to take account of the product's flammability. The following procedure must be followed:
- remove the refrigerant;
- purge the circuit with an inert gas (optional for A2L);
- drain (optional for A2L);
- purge with an inert gas (optional for A2L);
- open the circuit by cutting or soldering.
- The refrigerant charge must be recovered in suitable recovery cylinders. For appliances containing flammable refrigerants other than A2L refrigerants, the system must be bled with nitrogen devoid of oxygen to make the appliance suitable for receiving flammable refrigerants. You may need to repeat this process several times. Compressed air or oxygen must not be used to purge cooling systems.

## ***Loading procedures***

- Check that the vacuum pump outlet is not located in the vicinity of any potential ignition source and that ventilation is provided.
- In addition to conventional charging procedures, the following requirements apply.
- Check that there is no possibility of cross-contamination between the different refrigerants when using charging equipment. Hoses or lines must be as short as possible to reduce the quantity of refrigerant contained therein.
- Cylinders must be kept in an appropriate position, in accordance with the instructions.
- Check that the cooling system is grounded before charging the system with refrigerant.
- Label the system once charging is complete (if this is not already the case).
- Pay close attention to not overfilling the cooling system.
- Before recharging the system, carry out a pressure test using a suitable purge gas. The system must be examined to make sure there are no leaks after the charging operation and before commissioning. A follow-up leak test must be carried out before leaving the site.

## ***Dismantling***

- Before dismantling, the technician must familiarise himself/herself with the equipment and its specifications. We highly recommend carefully recovering all refrigerants. Before this, oil and refrigerant samples must be taken if analyses are to be carried out before any other use of the recovered refrigerant. Check for the presence of a power supply before starting work.

1. Familiarise yourself with the equipment and how it operates.
2. Electrically isolate the system.
3. Before starting work, check the following points:
  - mechanical handling equipment is available if needed to handle the refrigerant cylinders;
  - all personal protective equipment is available and used correctly;
  - the recovery process is followed at all times by a cognizant person;
  - the recovery cylinders and equipment comply with the relevant standards.

1. Drain the cooling system where possible.
2. If a vacuum cannot be created, install a manifold in order to be able to remove the refrigerant from various locations within the system.
3. Make sure that the cylinder is located on the scales before starting recovery operations.
4. Start the recovery unit and operate as per its instructions.
5. Do not overfill the cylinders (no more than 80% of the volume must be filled with liquid).
6. Do not exceed the maximum working pressure of the cylinder, even temporarily.
7. When the cylinders have been filled correctly and the process is complete, check that the cylinders and the equipment are quickly removed from the site and that the alternative shut-off valves on the equipment are closed.
8. The recovered refrigerant must not be charged in another cooling system, unless it has been cleaned and inspected.

## TROUBLESHOOTING

- All brazing must be carried out by qualified brazers.
- Replacement pipes must always be made of copper in compliance with standard NF EN 12735-1.
- Leak detection; pressure test:
  - never use oxygen or dry air, risk of fire or explosion,
  - use dry nitrogen or the mixture of nitrogen and refrigerant indicated on the information plate,
- the test pressure for both the high and low pressure circuits must not exceed 42 bar in cases where the appliance is equipped with the optional pressure gauge.
- The high pressure circuit pipes are made of copper and have a diameter equal to or greater than 1"5/8. A certificate as indicated in §2.1 in compliance with standard NF EN 10204 must be requested from the supplier and filed in the installation's technical file.
- Technical data relative to the safety requirements of the various applicable directives are indicated on the information plate. All this information must be recorded in the appliance's installation manual, which must be kept in its technical file: model, code, serial number, maximum and minimum OT, OP, year of manufacture, CE marking, manufacturer's address, refrigerant and weight, electrical parameters, thermo-dynamic and acoustic performance.

## LABELLING

- The equipment must be labelled so as to specify that it is out of order and that the refrigerant has been drained.
- The label must be dated and signed.
- For appliances containing a flammable refrigerant, check that labels are placed on the equipment stating that it contains a flammable refrigerant.

## RECOVERY

- When draining the refrigerant for maintenance or decommissioning, best practices should be followed in order to safely drain all of the refrigerant.
- When transferring refrigerant to a cylinder, make sure that you use a recovery cylinder that is compatible with the refrigerant. Make sure that the correct number of cylinders are provided for recovering all of the refrigerant. All cylinders used must be intended for the recovery of refrigerant and must be labelled for this specific refrigerant. The cylinders must be equipped with a vacuum valve and a stop gate in good working order. Empty collection cylinders are drained and, where possible, cooled before recovery.
- The recovery equipment must be in good working order, the instructions for using the equipment must be within reach and the equipment must be compatible for use with the refrigerant concerned, including, where appropriate, a flammable refrigerant. Moreover, a set of calibrated scales must be available and in good working order. The pipework must be complete, have no leaks or disconnected connectors, and must be in good condition. Before using the recovery unit, check that it is in good working order, that it has been well maintained and that the associated electric components are sealed so as to prevent any risk of fire in the event of refrigerant being released. If you have any doubts, contact the manufacturer.
- The recovered refrigerant must be sent to the refrigerant supplier in its recovery cylinder with a waste transfer note. Do not mix different refrigerants in the recovery units, and in particular in the cylinders.
- If the compressor has been removed or if oil from the compressor has been drained, check that the refrigerant has been completely removed to prevent it from mixing with the lubricant. The draining process must be carried out before returning the compressor to the supplier. Only the electric heater of the compressor body can be used to accelerate this process. This operation can be carried out safely once all liquids within the system have been drained.

## RECYCLING



This symbol is required by the European directive DEEE 2012/19/EU (directive on waste electrical and electronic equipment) and means that your appliance must not be thrown into a normal bin. It will be selectively collected for the purpose of reuse, recycling or transformation. If it contains any substances that may be harmful to the environment, these will be eliminated or neutralised. Contact your retailer for recycling information.

# VSN INVERTER -5°C

## User and Service manual

### INDEX

1. Specifications
2. Dimension
3. Installation and connection
4. Accessories
5. Electrical Wiring
6. Display Controller Operation
7. Troubleshooting
8. Exploded Diagram
9. Maintenance

Thank you for using our swimming pool heat pump for your pool heating, it will heat your pool water and keep the constant temperature when the air ambient temperature is between -5 and 43°C

**▲ ATTENTION: This manual includes all the necessary information with the use and the installation of your heat pump.**

The installer must read the manual and attentively follow the instructions in implementation and maintenance. Please keep on pass on this manual for later throughout the appliance 's service life.

The installer is responsible for the installation of the product and should follow all the instructions of the manufacturer and the regulations in application. Incorrect installation against the manual implies the exclusion of the entire guarantee.

The manufacturer declines any responsibility for the damage caused with the people, objects and of the errors due to the installation that disobey the manual guideline. Any use that is without conformity at the origin of its manufacturing will be regarded as dangerous.

# 1. Specifications

## 1.1 Technical data

MODEL		74152	74153	74154	74155	74156
CODE		VSN-10	VSN-12	VSN-15	VSN-17	VSN-21
<b>* Performance at Air 28°C, Water 28°C, Humidity 80%</b>						
Heating capacity	kW	10-3.5	12-4.8	15-5	17-5.3	21-4.7
Power consumption	kW	1.61-0.43	1.96-0.6	2.5-0.63	2.85-0.66	3.39-0.59
C.O.P.		8.5-6.2	8.5-6.1	8.5-6	8.5-6	8.5-6.2
<b>* Performance at Air 15°C, Water 26°C, Humidity 70%</b>						
Heating capacity	kW	7-2.5	8.5-3.5	10-3.6	12-3.8	15-3.9
Power consumption	kW	1.65-0.43	1.98-0.6	2.38-0.62	2.8-0.66	3.5-0.67
C.O.P.		5.8-4.2	5.8-4.3	5.8-4.2	5.8-4.3	5.8-4.3
<b>* General data</b>						
Compressor type		Inverter Compressor				
Voltage	V	220~240V / 50Hz or 60Hz /1PH				
Rated current	A	7.20	8.70	11.00	11.90	15.00
Minimum fuse	A	11.00	13.00	17.00	18.00	23.00
Advised water flux	m <sup>3</sup> /h	2.80	3.70	4.00	4.60	5.00
Water pressure drop	Kpa	12	14	15	15	18
Heat exchanger		Twist-titanium tube in PVC				
Water connection	mm	50				
No. of Fan		1				
Ventilation type		Horizontal				
Noise level(10m)	dB(A)	28-35	29-37	30-39	30-39	32-41
Noise level(1m)	dB(A)	45-52	46-54	47-56	47-56	49-58
Refrigerant (R32)	g	650	750	950	1100	1500
CO2 equivalent	Tonne	0.44	0.51	0.64	0.74	1.01
<b>* Dimension/ Weight</b>						
Net weight	kg	56.00	68.00	73.00	78.00	98.00
Gross weight	kg	68.00	73.00	78.00	83.00	113.00
Net dimension	mm	859*394.7*594	987*418.7*693.5			1074*462.6*894
Packing dimension	mm	890*425*630	1015*445*715			1105*490*920

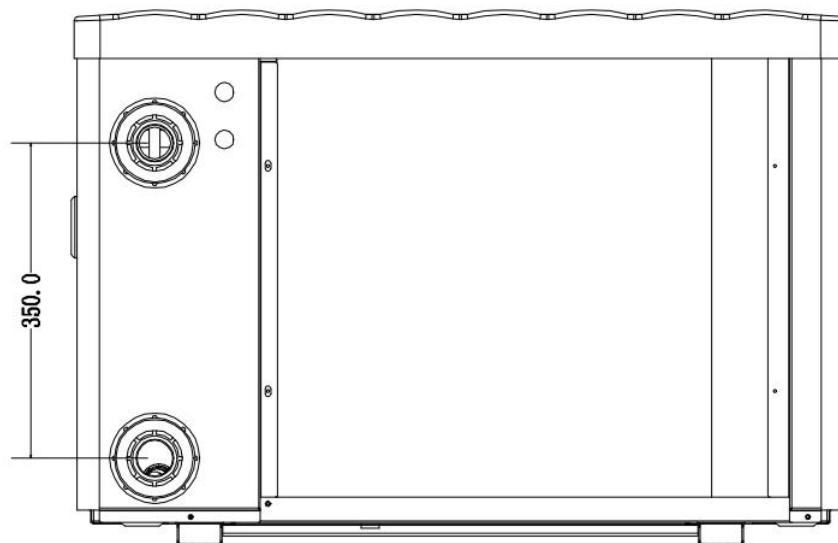
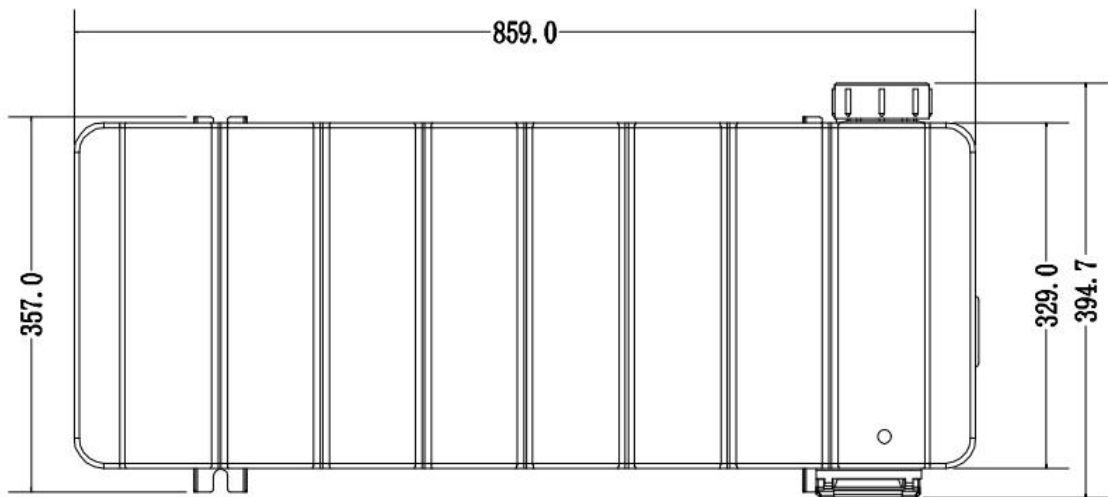
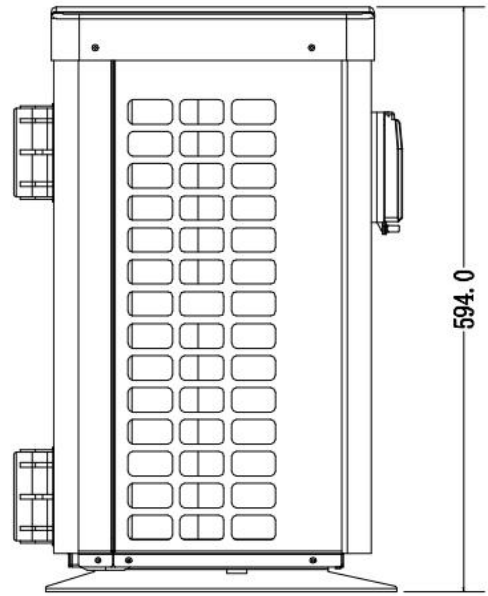
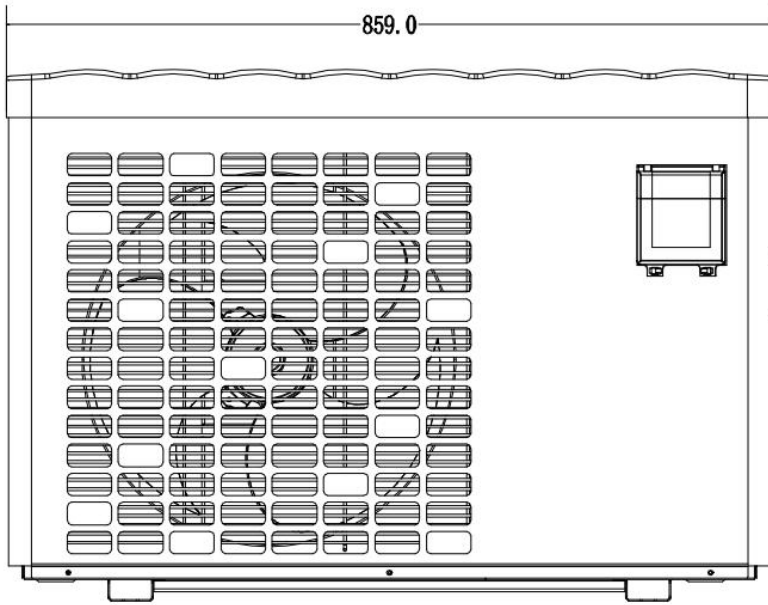
\* Above data are subjects to modification without notice.



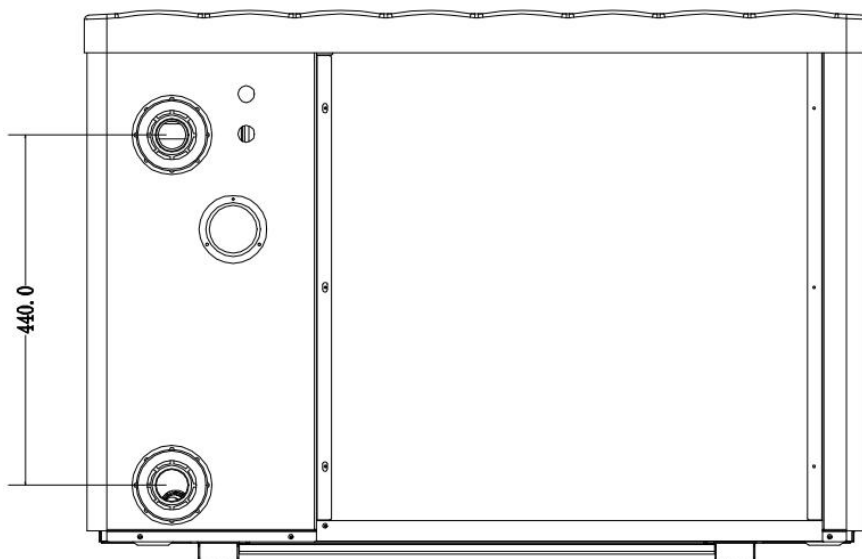
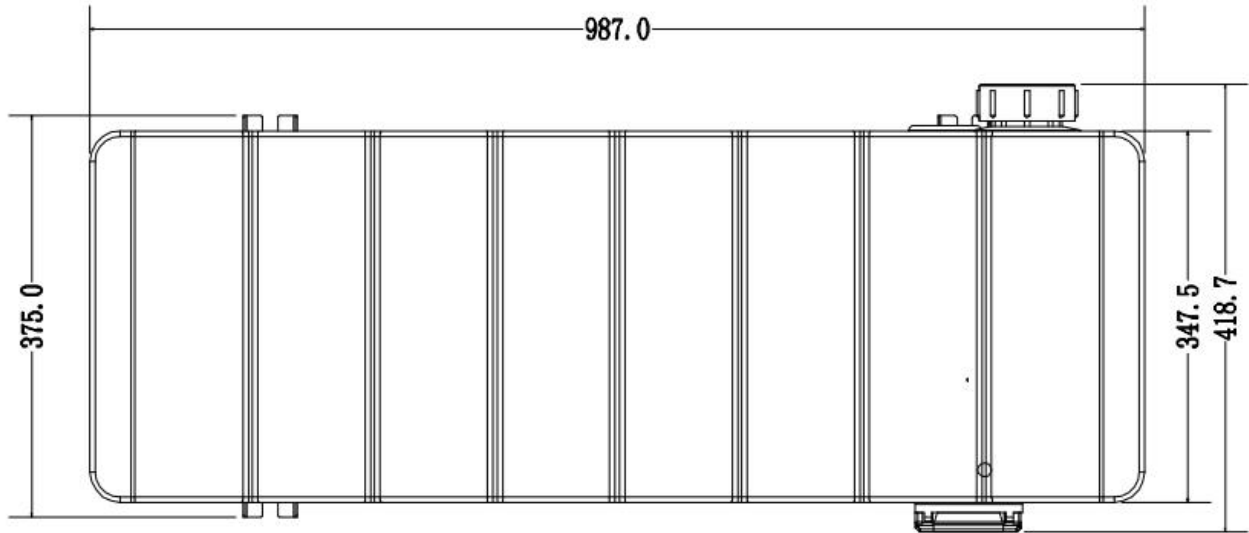
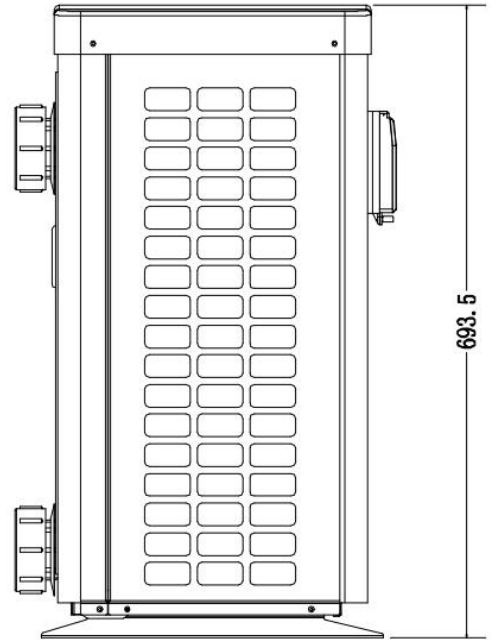
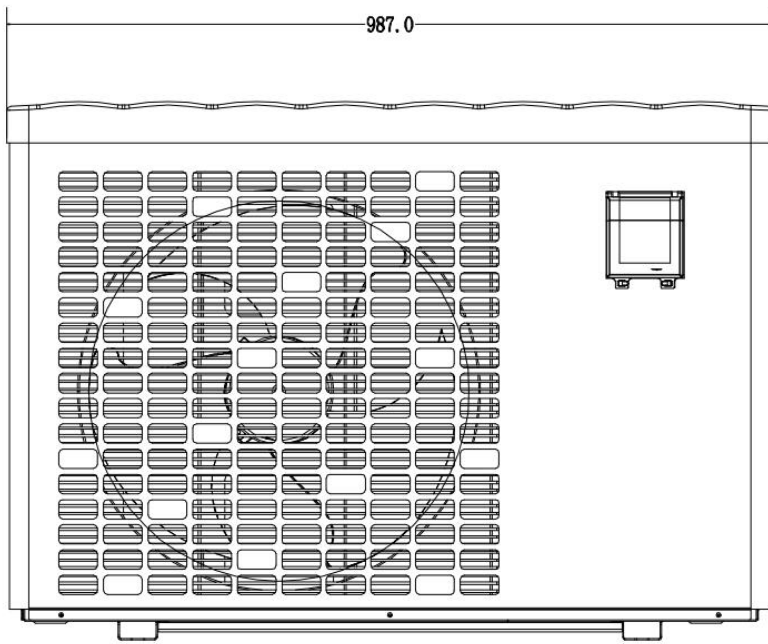
## 2. Dimension

unit:mm

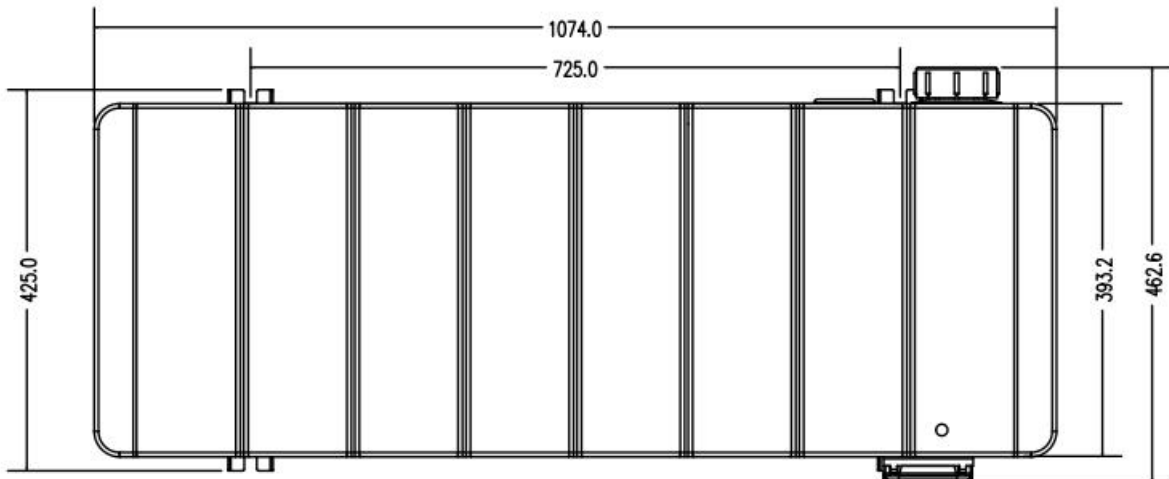
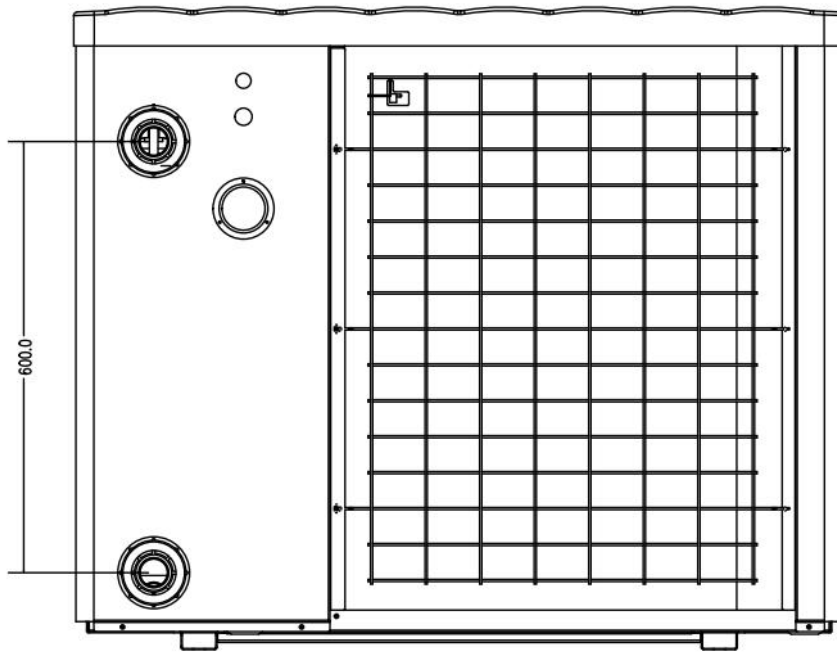
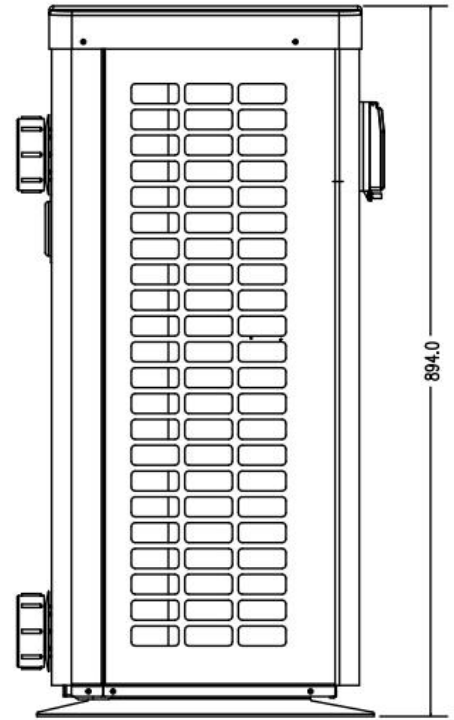
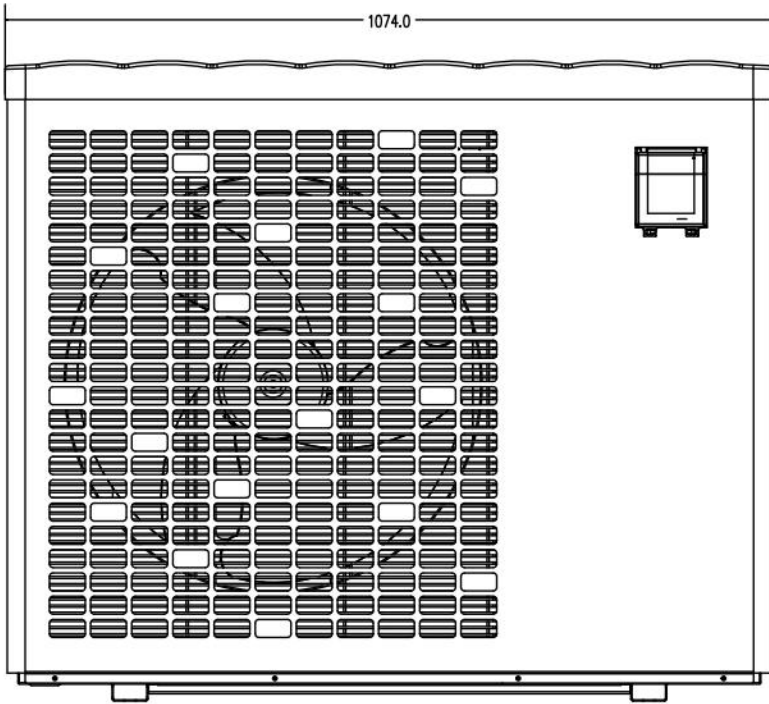
Model:VSN-10



Model: VSN-12 & VSN-15 & VSN-17



Model:VSN-21



### 3. Installation and connection

#### 3.1 Notes

The factory supplies only the heat pump. All other components, including a bypass if necessary, must be provided by the user or the installer.

#### Attention:

Please observe the following rules when installing the heat pump:

1. Any addition of chemicals must take place in the piping located **downstream** from the heat pump.
2. Install a bypass if the water flow from the swimming pool pump is more than 20% greater than the allowable flow through the heat exchanger of the heat pump.
3. Install the heat pump above the water level of the swimming pool.
4. Always place the heat pump on a solid foundation and use the included rubber mounts to avoid vibration and noise.
5. Always hold the heat pump upright. If the unit has been held at an angle, wait at least 24 hours before starting the heat pump.

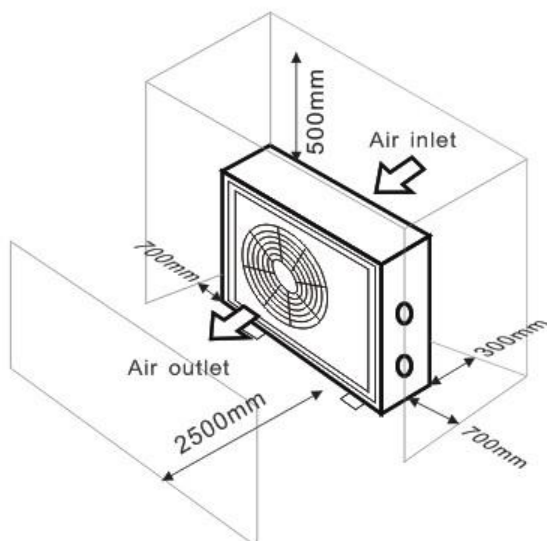
#### 3.2 Heat pump location

The unit will work properly in any desired location as long as the following three items are present:

- 1. Fresh air – 2. Electricity – 3. Swimming pool filters**

The unit may be installed in virtually any **outdoor** location as long as the specified minimum distances to other objects are maintained (see drawing below). Please consult your installer for installation with an indoor pool. Installation in a windy location does not present any problem at all, unlike the situation with a gas heater (including pilot flame problems).

**ATTENTION:** Never install the unit in a closed room with a limited air volume in which the air expelled from the unit will be reused, or close to shrubbery that could block the air inlet. Such locations impair the continuous supply of fresh air, resulting in reduced efficiency and possibly preventing sufficient heat output. See the drawing below for minimum dimensions.

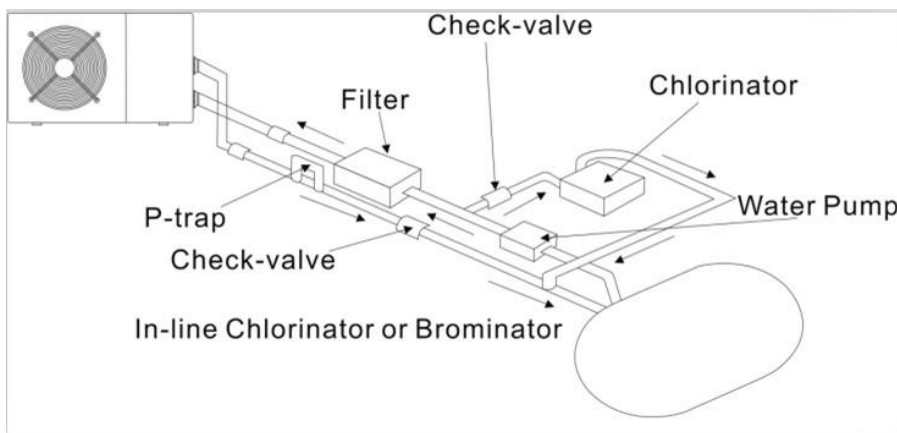


### 3.3 Distance from your swimming pool

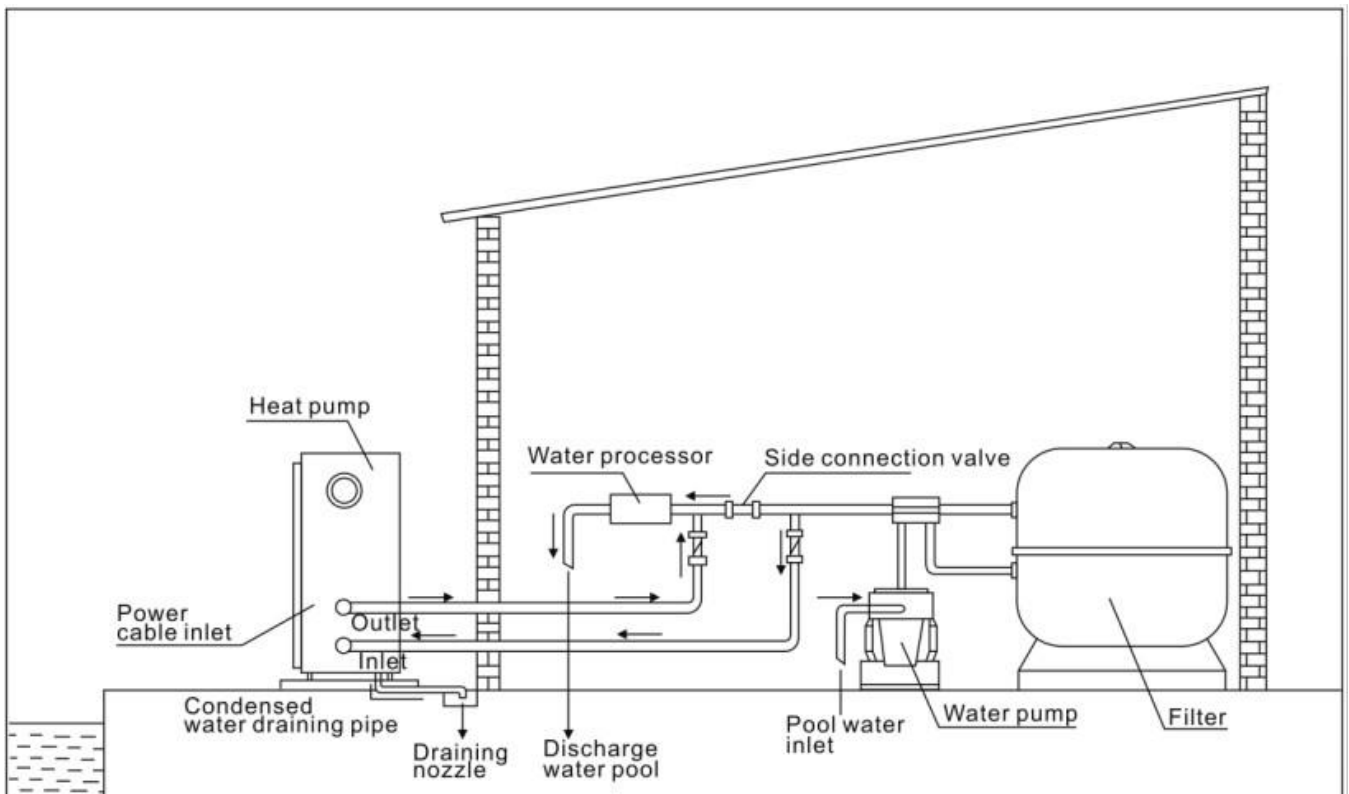
The heat pump is normally installed within a perimeter area extending 7.5 m from the swimming pool. The greater the distance from the pool, the greater the heat loss in the pipes. As the pipes are mostly underground, the heat loss is low for distances up to 30 m (15 m from and to the pump; 30 m in total) unless the ground is wet or the groundwater level is high. A rough estimate of the heat loss per 30 m is 0.6 kWh (2,000 BTU) for every 5 °C difference between the water temperature in the pool and the temperature of the soil surrounding the pipe. This increases the operating time by 3% to 5%.

### 3.4 Check-valve installation

Note: If automatic dosing equipment for chlorine and acidity (pH) is used, it is essential to protect the heat pump against excessively high chemical concentrations which may corrode the heat exchanger. For this reason, equipment of this sort must always be fitted in the piping on the **downstream** side of the heat pump, and it is recommended to install a check-valve to prevent reverse flow in the absence of water circulation. Damage to the heat pump caused by failure to observe this instruction is not covered by the warranty.

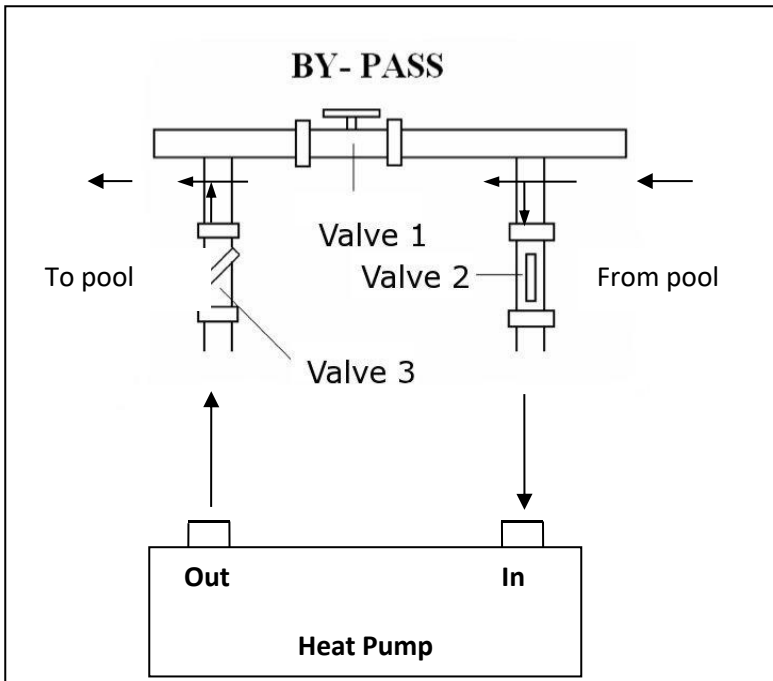


### 3.5 Typical arrangement



**Note: This arrangement is only an illustrative example.**

### 3.6 Adjusting the bypass



Please take below steps to adjust the by-pass:

1. Valve 1 wide open. Valve 2 & valve 3 closed.
2. Slowly open valve 2 & valve 3 by half, then close the valve 1 slowly to increase the water flow to valve 2 & valve 3.
3. If it shows 'ON' or 'EE3' on display, it means the water flow into heat pump is not enough, then you need adjust the valves to increase the water flow through the heat pump.

How to get the optimum water flow.

Please turn on the heat pump under heating function, firstly close the by-pass then open it slowly to start the heat pump (the machine can't start running when the water flow is insufficient)

Continue to adjust the by-pass, at the meantime to check the Inlet water temp. & Outlet water temp., it will be optimum when the difference is around 2 degree.

### 3.7 Electrical connection

**Note:** Although the heat pump is electrically isolated from the rest of the swimming pool system, this only prevents the flow of electrical current to or from the water in the pool. Earthing is still required for protection against short-circuits inside the unit. Always provide a good earth connection.

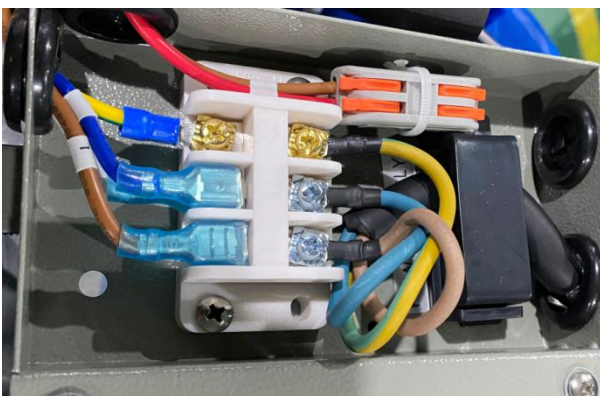
**Warning :** Before any work inside the appliance, you must cut the appliance's electricity supply as there is a risk of electric shock which may cause material damage, serious injury or even death.

- Incorrectly tightened terminals may cause the terminal box to heat up, which can invalidate the warranty.
- Only a qualified and experienced technician is authorised to carry out cabling work within the appliance or to replace the power cord.

Before connecting the unit, verify that the supply voltage matches the operating voltage of the heat pump. It is recommended to connect the heat pump to a circuit with its own fuse or circuit breaker (slow type; curve D) and to use adequate wiring.

Connect the electrical wires to the terminal block marked ' POWER SUPPLY '.


A second terminal block marked 'WATER PUMP ' is located next to the first one. The filter pump switch(12V) can be connected to the second terminal block here. This allows the filter pump operation to be controlled by the heat pump or the extra dry contact.



### 3.8 Initial operation

**Note:** In order to heat the water in the pool (or hot tub), the filter pump must be running to cause the water to circulate through the heat pump. The heat pump will not start up if the water is not circulating.

After all connections have been made and checked, carry out the following procedure:

1. Switch on the filter pump. Check for leaks and verify that water is flowing from and to the swimming pool.
  2. Connect power to the heat pump and press the On/Off button  on the electronic control panel. The unit will start up after the time delay expires (see below).
  3. After a few minutes, check whether the air blowing out of the unit is cooler.
  4. When turn off the filter pump, the unit should also turn off automatically, if not, then adjust the flow switch.
- Depending on the initial temperature of the water in the swimming pool and the air temperature, it may take several days to heat the water to the desired temperature. A good swimming pool cover can dramatically reduce the required length of time.

#### Water Flow Switch:

It is equipped with a flow switch for protecting the HP unit running with adequate water flow rate. It will turn on when the pool pump runs and shut it off when the pump shuts off.

**Time delay** - The heat pump has a built-in 3-minute start-up delay to protect the circuitry and avoid excessive contact wear. The unit will restart automatically after this time delay expires. Even a brief power interruption will trigger this time delay and prevent the unit from restarting immediately. Additional power interruptions during this delay period do not affect the 3-minute duration of the delay.

### 3.9 Condensation

The air drawn into the heat pump is strongly cooled by the operation of the heat pump for heating the pool water, which may cause condensation on the fins of the evaporator. The amount of condensation may be as much as several litres per hour at high relative humidity. This is sometimes mistakenly regarded as a water leak.

### 3.10 Operating modes for optimal use

- POWERFUL: Used primarily at the beginning of the season because this mode allows very rapid temperature rise
- SMART: The heat pump has completed its primary task, in this mode; the heat pump is in a position to maintain the pool water in an energy efficient manner. By automatically adjusting speed of compressor and fan the heat pump delivers a better return.
- SILENT: In the summer months when the heat output is minimal required, the heat pump in this mode is even more profitable. Added benefit; when the heat pump heats. It goes with minimal noise load.

## 4. Accessories

### 4.1 Accessories list

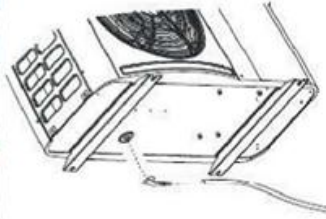
 Anti-vibration base, 4 pcs	 Draining jet, 2 pcs	 Waterproof box, 1 pc
 Winter cover, 1pc	 Water drainage pipes, 2 pcs	 10M signal wire, 1 pc

## 4.2 Accessories Installation



### Anti-vibration bases

1. Take out 4 Anti-vibration bases
2. Put them one by one on the bottom of machine like the picture



### Draining jet

1. Install the draining jet under the bottom panel
2. Connect with a water pipe to drain out the water.

Note: Lift the heat pump to install the jet. Never overturn the heat pump, it could damage the compressor.



### Water Inlet & outlet junction

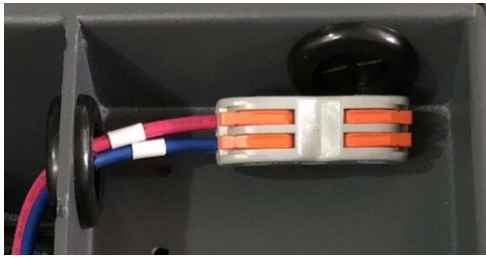
1. Use the pipe tape to connect the water Inlet & outlet junction onto the heat pump
2. Install the two joints like the picture shows
3. Screw them onto the water Inlet & outlet junction



### Cable wiring

1. Open the cover of the electric box
2. Fix the power supply wire on joints L N E





### Water pump wiring (Dry contact)

1. Open the cover of the electric box
2. With the connector 1 and 2 you can pilot the water filtration through the timer of the filtration (dry contact)

### 4.3 Connection to the filtration pump

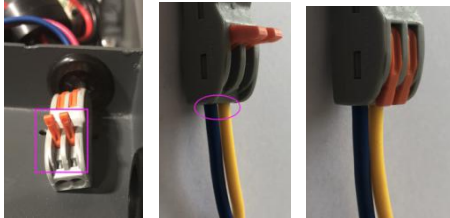
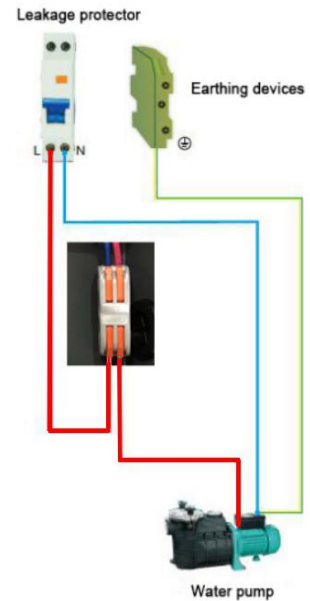


Photo 1    Photo 2    Photo 3

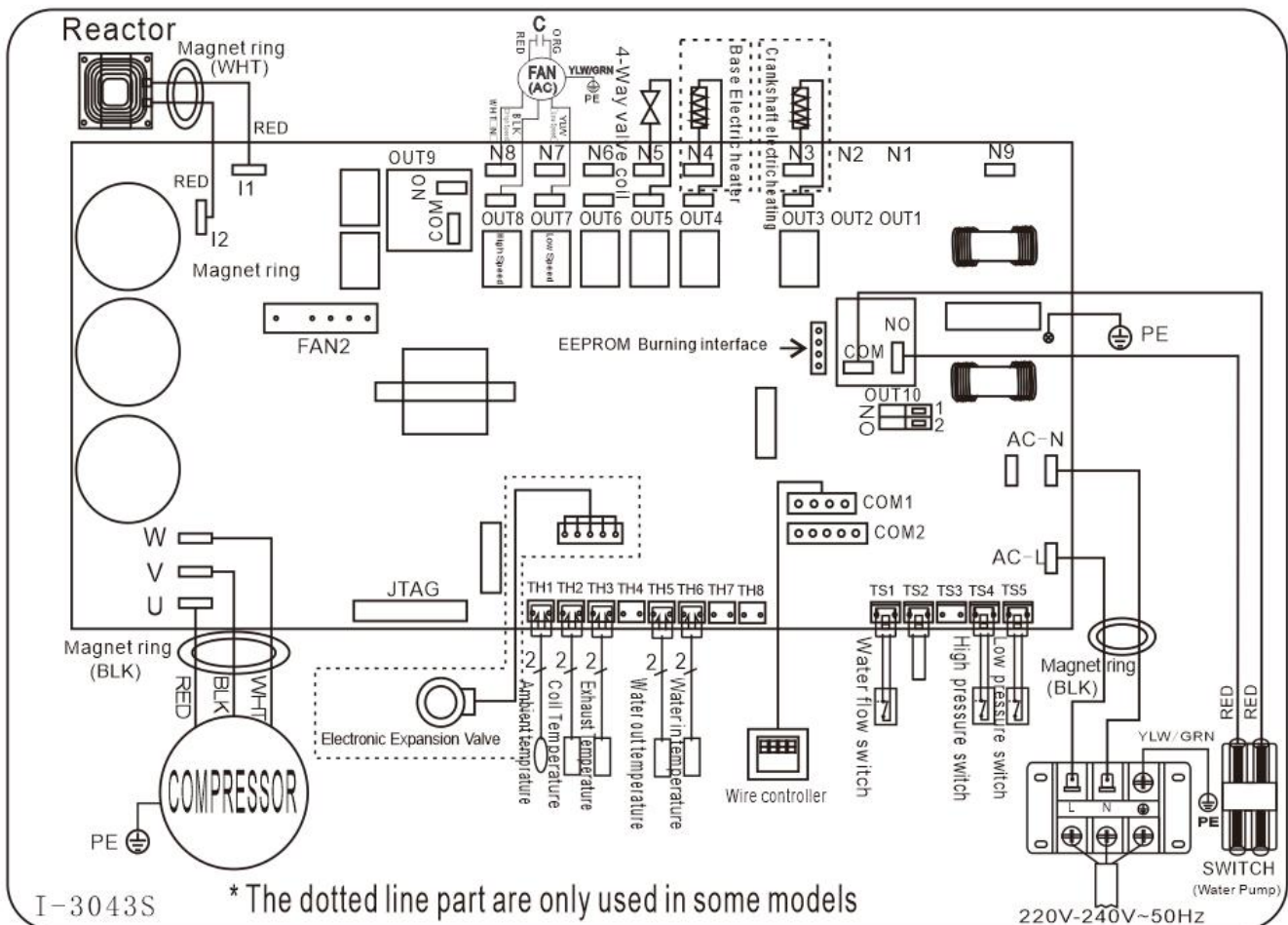
- Open the button upwards as (Photo 1)
- Attach the dry contact wiring through the two holes as (Photo 2 & Photo 4)
- Press the button and tighten the wiring as (Photo 3)



## 5. Electrical Wiring

### 5.1 SWIMMING POOL HEAT PUMP WIRING DIAGRAM

VSN-10 / VSN-12 / VSN-15 / VSN-17 / VSN-21



**NOTE:**

- (1) Above electrical wiring diagram only for your reference, please subject machine posted the wiring diagram.
- (2) The swimming pool heat pump must be connected ground wire well, although the unit heat exchanger is electrically isolated from the rest of the unit. Grounding the unit is still required to protect you against short circuits inside the unit. Bonding is also required.
- (3) It is recommended that your pool filtration pump and your heat pump are wired independently. Wiring your pool pump into the heat pump will result in your filtration being switched off once the pool water has reached temperature. Only wire the pool pump through the heat pump if you have a pool pump for heating only that is independent to your pool filtration system.

**Disconnect:** A disconnect means (circuit breaker, fused or un-fused switch) should be located within sight of and readily accessible from the unit. This is common practice on commercial and residential heat pumps. It prevents remotely-energizing unattended equipment and permits turning off power at the unit while the unit is being serviced.

**5.2 Installation of the remote control**

Photo(1)



Photo(2)



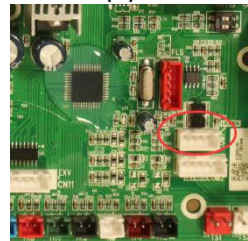
Photo(3)



Photo(4)



Photo(5)



- The side with plug connects with the control panel (photo1)
- The other side of the signal wire. (photo2)
- Open the wiring panel and put the side without plug through the electrical box. (photo3,4)
- Insert the wiring into the designated position (code:COM 1 or COM-L) on the PC board. (photo5)


**6. Display Controller Operation**


**6.1 The buttons of LED wire controller**





**NOTE:** When the heat pump connects to the power, the LED display shows a code for 3 seconds which indicates the heat pump model.

**6.1.1**  **button**

Press  to start the heat pump unit, the LED display shows the desired water temperature for 5 seconds, then shows the inlet water temperature and the operation mode.

Press  to stop the heat pump unit and show "OFF"


Notice : During the parameter checking and setting, press the  to quick-exit and save the current setting .


Press  again to turn on/off the machine.

### 6.1.2 button

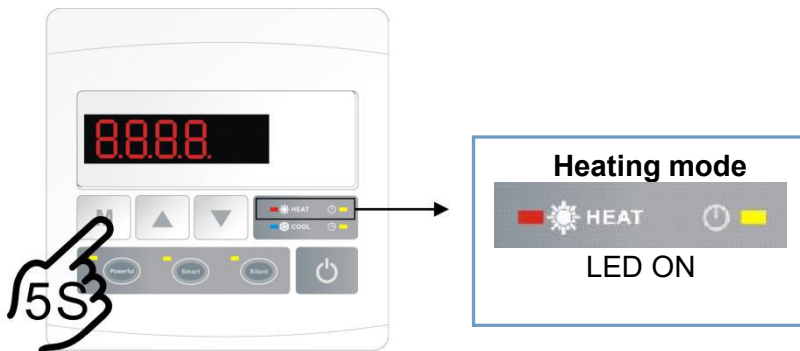
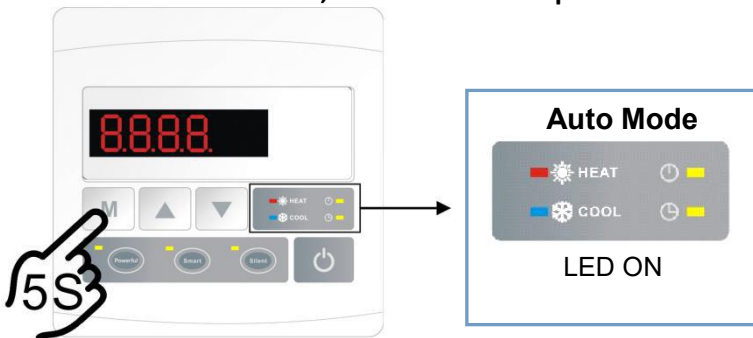
#### **Automatic mode:**

There are 3 modes for the unit, Heating only, Auto mode (heating and cooling switch), Cooling only.

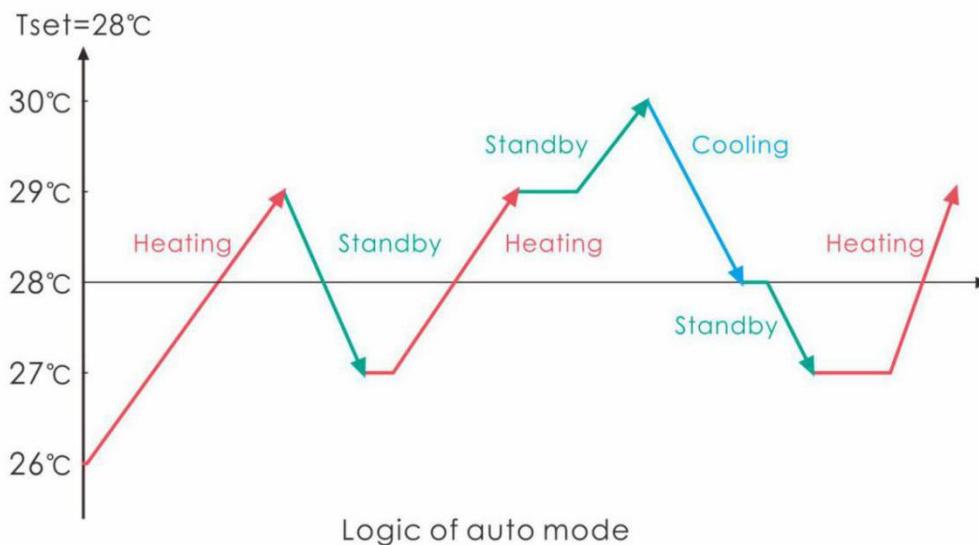
You can switch Heating only and Auto mode by pressing  for 5 seconds, no matter the unit is on or off. (default: Smart mode)

Press  for 5 seconds again to exit automatic mode and switch to heating mode (default: Smart mode)

**Note: Under Automatic mode, it is useless to set parameter P1 .**





#### **Operation logic of Auto Mode:**





### 6.1.3 and button



#### Lock / Unlock the display:

Hold  and  for 5 seconds to lock/unlock the display.

#### Water temperature setting:

Press  or  to set the water temperature directly.

#### Parameter checking:

Press  first, then press  to check the " User parameter from d0 to d11


Code	Condition	Scope	Remark
d0	IPM mould temperature	0-120℃	Real testing value
d1	Inlet water temp.	-9℃～99℃	Real testing value
d2	Outlet water temp.	-9℃～99℃	Real testing value
d3	Ambient temp.	-30℃～70℃	Real testing value
d4	Frequency limitation code	0,1,2,4,8,16	Real testing value
d5	Piping temp.	-30℃～70℃	Real testing value
d6	Gas discharge temperature	0℃～C5℃ (125℃)	Real testing value
d7	Step of EEV	0～99	N*5
d8	Compressor running frequency	0～99Hz	Real testing value
d9	Compressor current	0～30A	Real testing value
d10	Current fan speed	0-1200 (rpm)	Real testing value
d11	Error code for last time	All error code	

Remark: **d4: Frequency limitation code, 0: No frequency limit,**







**1: Coil pipe temperature limit, 2: Overheating or overcooling frequency limit,**

**4: Drive Current frequency limit, 8: Drive voltage frequency limit,**

**16: Drive high temperature frequency limit.**

Press  first, then press  to check/adjust the User parameter from P0 to P7

If needed, press  second, then press  or  to adjust the current parameter.



(for example: Press  first, then press  to enter parameter P7 checking, and press  second, then press  or  to adjust the parameter P7 Inlet water temp. Correction, to confirm press .)

Code	Name	Scope	Default	Remark
P0	Mandatory defrosting	0-1	0	0: Default normal operation 1: Mandatory defrosting.
P1	Working mode	0-1	1	1:Heating mode, 0:cooling mode,
P2	Timer on/off	0-1	0	1: Timer on/off starts, 0: Timer on/off is out of work (The setting of P5 and P6 won't work)

P3	Water pump	0-1	0	1:Always running; 0:Depends on the running of compressor
P4	Current time	HH:MM	00: 00	<u>0-23:0-59</u>
P5	Timer on	HH:MM	00: 00	<u>0-23:0-59</u>
P6	Timer off	HH:MM	00: 00	<u>0-23:0-59</u>
P7	Water temp. calibration	-9~9	0	Default setting: 0

**NOTE: Under defrosting mode, P0=1. After defrosting finished, it will be automatic enter Normal mode, P0=0.**

#### 6.1.4 System reset function

Press  and  in 10s, the system will reset and display “0000” on the controller.

#### 6.1.5

Symbol of heating, the light will be on when it is in operation.

When defrosting, the light will flash.

#### 6.1.6

Symbol of cooling, the light will be on when it is in operation.

**Note: When parameter P1 is on checking/adjusting,  and  will be flashing at the same time.**

#### 6.1.7

Symbol of automatic stop, the light will be on when it is in operation.

#### 6.1.8

Symbol of automatic start, the light will be on when it is in operation.

#### 6.1.9

Press this button, the light will be flash, the heat pump will operate in ‘Full output’ only.

#### 6.1.10

**While** you choose the **Smart**, the heat pump will just operate in ‘Medium output’ and ‘Full output’

When in 'Medium output', the light of Smart will flash.

When in 'Full output', the lamp of Smart is lit, the lamp of Powerful will be flash.



### 6.1.11

**While** you choose the **Silent**, the heat pump will just operate in 'Medium output' and 'Small output'

When in 'Small output', the lamp of Silent will flash.

When in 'Medium output', the lamp of Silent is lit, the lamp of Smart will flash.

## 6.2 Heating operation logic

Working status		Working mode	Water in temperature-T1	For example, water in temperature-T1	Heat pump working level	
1	Start-up of heat pump	When you select the "Smart working mode "	$T1 < T_{set}-1$	$T1 < 27^{\circ}\text{C}$	Powerful mode-frequency F9	
2			$T_{set}-1 \leq T1 < T_{set}$	$27^{\circ}\text{C} \leq T1 < 28^{\circ}\text{C}$	Frequency: F9 -F8-F7,...,-F2	
3			$T_{set} \leq T1 < T_{set}+1$	$28^{\circ}\text{C} \leq T1 < 29^{\circ}\text{C}$	Silent mode-frequency F2	
4			$T1 \geq T_{set}+1$	$T1 \geq 29^{\circ}\text{C}$	HP will be in Standby, stop working until the water temperature drops to less 28°C.	
5		When you select the "Silent working mode".	$T1 < T_{set}$	$T1 < 28^{\circ}\text{C}$	Smart mode -frequency F5.	
6			$T_{set} \leq T1 < T_{set}+1$	$28^{\circ}\text{C} \leq T1 < 29^{\circ}\text{C}$	Silent mode-frequency F2/F1.	
7			$T1 \geq T_{set}+1$	$T1 \geq 29^{\circ}\text{C}$	HP will be in Standby, stop working until the water temperature drops to less 28°C.	
8		When you select the "Powerful working mode."	$T1 < T_{set}+1$	$T1 < 29^{\circ}\text{C}$	Powerful mode-frequency F10/F9	
9			$T1 \geq T_{set}+1$	$T1 \geq 29^{\circ}\text{C}$	HP will be in Standby, stop working until the water temperature drops to less 28°C.	
10		Re-start to heat water in standby status	When HP is working at " Smart mode"	$T1 \geq T_{set}$	$T1 \geq 28^{\circ}\text{C}$	Standby
11				$T_{set} > T1 \geq T_{set}-1$	$28^{\circ}\text{C} > T1 \geq 27^{\circ}\text{C}$	Silent-frequency F2
12				$T_{set}-1 > T1 \geq T_{set}-2$	$27^{\circ}\text{C} > T1 \geq 26^{\circ}\text{C}$	Frequency: F2 -F3-F4,...,-F9
13				$< T_{set}-2$	$< 26^{\circ}\text{C}$	Powerful-frequency F9
14			When HP is working at " Silent mode"	$\geq T_{set}$	$\geq 28^{\circ}\text{C}$	Standby
15				$T_{set} > T1 \geq T_{set}-1$	$28^{\circ}\text{C} > T1 \geq 27^{\circ}\text{C}$	Silent mode-frequency F2/F1
16				$T1 < T_{set}-1$	$T1 < 27^{\circ}\text{C}$	Smart -frequency F5

17		When HP is working at "Powerful mode"	$T1 < T_{set} - 1$	$T1 < 27^{\circ}\text{C}$	Powerful -frequency F10/F9
----	--	---------------------------------------	--------------------	---------------------------	----------------------------

### 6.3 Cooling operation logic

Working status	Working mode	Water in temperature	For example , water in temperature	Heat pump working level	
1	Start-up of heat pump	When you select the "Smart working mode "	$T1 \cong T_{set} - 1$	$T1 \cong 27^{\circ}\text{C}$	Standby.
2			$T_{set} - 1 < T1 \cong T_{set}$	$27^{\circ}\text{C} < T1 \cong 28^{\circ}\text{C}$	Silent mode-frequency F2
3			$T_{set} < T1 \cong T_{set} + 1$	$28 < T1 \cong 29^{\circ}\text{C}$	frequency: F9 -F8-F7,...,- F2
4			$T1 \cong T_{set} + 1$	$T1 \cong 29^{\circ}\text{C}$	Powerful mode-F9
5		When you select the "Silent working mode".	$T1 \cong T_{set} - 1$	$\cong 27^{\circ}\text{C}$	Standby
6			$T_{set} - 1 < T1 \cong T_{set}$	$27^{\circ}\text{C} < T1 \cong 28^{\circ}\text{C}$	Silent mode - frequency F2/F1
7			$T1 > T_{set}$	$T1 > 28^{\circ}\text{C}$	Smart mode -frequency F5
8		When you select the "Powerful working mode."	$T1 > T_{set} - 1$	$T1 > 27^{\circ}\text{C}$	Powerful mode-frequency F10/F9
9			$T1 \cong T_{set} - 1$	$T1 \cong 27^{\circ}\text{C}$	Standby
10	Re-start to cool water in standby status	Smart	$T1 \cong T_{set} - 1$	$T1 \cong 27^{\circ}\text{C}$	Standby
11			$T_{set} \cong T1 < T_{set} + 1$	$28 \cong T1 < 29^{\circ}\text{C}$	Silent- frequency F2
12			$T_{set} + 1 \cong T1 < T_{set} + 2$	$29 \cong T1 < 30^{\circ}\text{C}$	Frequency: F2 -F3-F4,...,- F9
13			$T1 \cong T_{set} + 2$	$T1 \cong 30^{\circ}\text{C}$	Powerful mode -frequency F9
14		Silent	$T_{set} < T1 \cong T_{set} + 1$	$28 < T1 \cong 29^{\circ}\text{C}$	Silent mode-frequency F2/F1
15			$T1 > T_{set} + 1$	$T1 > 29^{\circ}\text{C}$	Smart mode-frequency F5
16		Powerful	$T1 > T_{set} + 1$	$T1 > 29^{\circ}\text{C}$	Powerful mode-frequency F10/F9
17	$T1 \cong T_{set} - 1$		$T1 \cong 27^{\circ}\text{C}$	Standby	

### 6.4 Heating priority (see the paragraph 6.4), option of connection

**Option 1; P3=0** Filtration pump is related to heat pump operation to start and stop.

Filtration pump starts 60s before compressor, filtration pump start 30s and then the water flow switch detect flow. Before the heat pump enters into Standby mode, the compressor stops first and after 5 minutes filtration pump stops.

	Condition	Example	Water pump working logic	
Heating mode	$P3=0$ , $T1 \geq T_{set} - 0.5^{\circ}\text{C}$ , last for 30 minutes	$P3=0$ , $T1 \geq 27.5^{\circ}\text{C}$ , last for 30 minutes	1. Then it enters into standby mode for 1 hour (It will not restart except turn it on manually.)	2. After 1 hour, the filtration pump will restart for 5 minutes. If the $T1 \leq 27^{\circ}\text{C}$ , the heat pump will start to work until $T1 \geq 27.5^{\circ}\text{C}$ and last for 30 minutes to go into standby



Cooling mode	P3=0, T1≤Tset+0.5°C, last for 30 minutes	P3=0, T1≤28.5°C, last for 30 minutes	1. Then it enters into standby mode for 1 hour (It will not restart except turn it on manually.)	2. After 1 hour, the filtration pump will restart for 5 minutes. If it tests T1≥29°C, the heat pump will start to work until T1≤28.5°C and last for 30 minutes to go into standby
--------------	--	--	--	---

**Option 2; P3=1 Filtration pump is always on, P2=0 the timer function is no active**

Under condition P3=1, when T1≥Tset+1°C (T1≥29°C) last for 3 minutes, heat pump will be in standby, while filtration pump is always on.

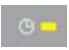

**Under option 2, with activation of the timer; P2=1 to start and stop the filtration pump according the programming of the P4 (time), P5 (timer ON) and P6 (timer OFF)**

**Condition for the heat pump start, timer ON actives;**

When the timer reaches **the set time of TIMER ON**, the filtration pump will start and after 5 minutes the heat pump start. The heat pump stays in stop if the water in temperature is ≥ Tset+1°C, before the TIMER OFF, the filtration is still activated.

**Condition to stop the heat pump, timer OFF actives;**

When the timer reaches the set time of the TIMER OFF, the heat pump will stop and after 5 minutes the filtration pump stops.

**NB;** Symbol of automatic TIMER start , the light will be on when it is in operation, symbol of automatic TIMER stop , the light will be on when it is in operation. Outside the time operation the display will be advise by OFF.

**If heat pump is turned ON/OFF manually, the filtration pump will start and stop accordingly.**

**NOTE :**

Tset = Tsetting water temperature

For example : Tset = 28°C Tsetting water temperature in your pool heat pump

Tset-0.5 = less 0.5°C than Tsetting temperature, Tset- 0.5 = 28-0.5=27.5°C

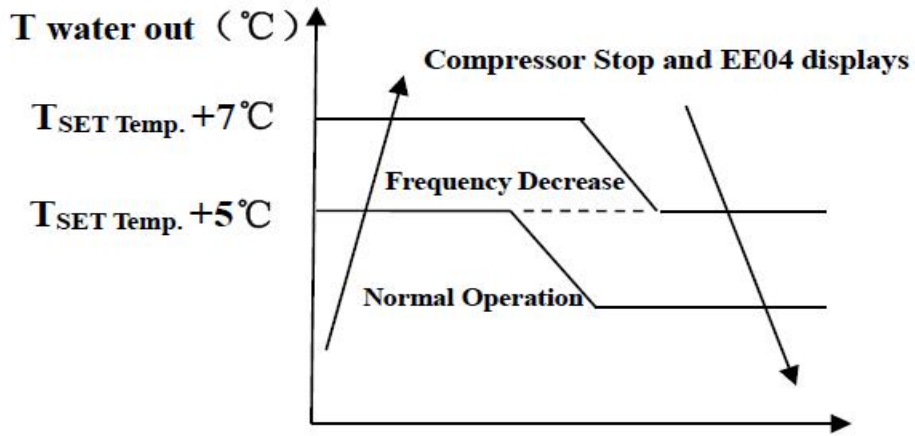
Tset+0.5= more 1°C than Tsetting temperature, Tset+ 0.5 = 28+0.5=28.5°C

**6.5 Protection of the unit**

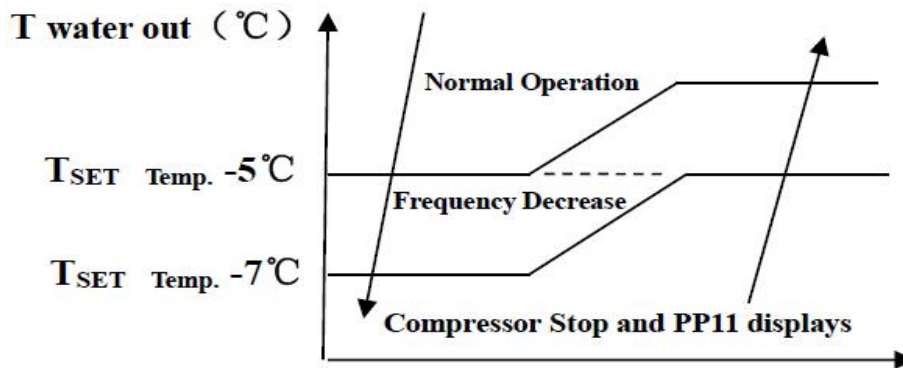
**Remarks:**

1. In heating mode, if the water out temperature is higher than the set temperature over 7°C, LED controller displays EE04 for water over-heating protection.
2. In cooling mode, if the water out temperature is lower than the set temperature over 7°C, LED controller displays PP11 for water over-cooling protection.





EE04 Water Overheating Protection



PP11 Water Overcooling Protection

For example as below:

Mode	Output water temperature	Set Point temperature	Condition	Malfunction
Heating mode	36°C	29°C	$T_{out} - T_{set} \geq 7^{\circ}\text{C}$	EE04 Overheating protection for water temperature (T2)
Cooling mode	23°C	30°C	$T_{set} - T_{out} \geq 7^{\circ}\text{C}$	PP11 Too low protection for water temperature (T2)

## 7. Troubleshooting

### 7.1 Error code display on LED wire controller

Malfunction	Error code	Reason	Solution
Inlet water temperature sensor failure d1-TH6	PP01	1. The sensor in open or short circuit 2. The wiring of sensor is loose	1. Check or change the sensor 2.Re-fix the wiring of the sensors
Outlet water temperature sensor failure d2-TH5	PP02	1. The sensor in open or short circuit 2. The wiring of sensor is loose	1. Check or change the sensor 2.Re-fix the wiring of the sensors
Heating piping sensor failure d5-TH2	PP03	1. The sensor in open or short circuit 2. The wiring of sensor is loose	1. Check or change the sensor 2.Re-fix the wiring of the sensors
Ambient temperature sensor failure d3-TH1	PP05	1. The sensor in open or short circuit 2. The wiring of sensor is loose	1. Check or change the sensor 2.Re-fix the wiring of the sensors
Exhaust piping sensor failure d6-TH3	PP06	1. The sensor in open or short circuit 2. The wiring of sensor is loose	1. Check or change the sensor 2.Re-fix the wiring of the sensors
Antifreeze protection in Winter	PP07	Ambient temperature or water inlet temperature is too low	1. Check the d1((inlet water temp.) and d3(outlet water temp.) 2. Normal protection
Low ambient temperature protection	PP08	1. Out of the normal operating ambient temperature for this machine by checking d3 2. Sensor abnormality d3-TH1	1. Stop using, beyond the scope of using 2.Change the sensor
High pressure failure TS4	EE01	1. Ambient temperature is too high 2. Water temperature is too high 3. Water flow is too low 4. Gas system jammed 5. High pressure wire is loose or damaged 6. Too much refrigerant	1. Choose the silent mode. 2. Check the water flow or filtration pump 3. Check and repair the refrigerating system 4. Reconnect the high pressure wire or replace a new high pressure switch 5. Check and repair the refrigerating system

Malfunction	Error code	Reason	Solution
Low pressure failure TS5	EE02	1. EEV has blocked or pipe system is jammed 2. Fan motor speed is abnormal or fan motor is damaged under heating mode 3. Gas leakage 4. Low pressure wire is loose or damaged	1.Check the EEV and piping system 2. Check the fan motor under heating mode, replace a new one if it is abnormal 3. Check refrigeration system or check the pressure value through the high-pressure gauge. 4. Reconnect the low pressure wire or replace a new low pressure switch
Water flow failure TS1	EE03 Or "ON"	1. The wiring of water flow switch is loose or water flow switch damaged 2. No/Insufficient water flow 3. Flow switch mounted in the bad way.	1. Check the wiring of water flow switch or change a new one 2. Check the filtration pump or the waterway system if there is air or jammed inside 3.Check the flow switch position according to the water flow direction.

Over heating protection for water temperature (d2- TH5) in heating mode	EE04	<ol style="list-style-type: none"> <li>1. Low water flow</li> <li>2. Water flow switch is stuck and the water supply stops</li> <li>3. d2- TH5 outlet water temperature sensor is abnormal</li> <li>4. The difference of outlet water temperature and set temperature is 7°C or above in heating mode</li> </ol>	<ol style="list-style-type: none"> <li>1. Check the water flow switch if it works well</li> <li>2. Check the filtration pump or the waterway system if there is air or jammed inside</li> <li>3. Check d2- TH5 outlet water temperature sensor or replace a new one.</li> <li>4. Change the set temperature.</li> </ol>
d6-TH3 Exhaust too high protection	EE05	<ol style="list-style-type: none"> <li>1. Lack of gas</li> <li>2. Low water flow</li> <li>3. Piping system has been blocked</li> <li>4. Exhaust temp. sensor failure d6-TH3</li> <li>5. Ambient temperature is too high</li> </ol>	<ol style="list-style-type: none"> <li>1. Check the pressure gauge, and fill with some gas if it is lack of gas</li> <li>2. Check the filtration pump or the waterway system if there is air or jammed inside</li> <li>3. Check the piping system if there was any block</li> <li>4. Change a new exhaust temp. sensor d6-TH3</li> <li>5. Check whether the current ambient temp. and water temp. are beyond the running temp. of the machine</li> </ol>
Controller failure	EE06	<ol style="list-style-type: none"> <li>1. Signal is not well connected or damaged</li> <li>2. Controller failure</li> </ol>	<ol style="list-style-type: none"> <li>1. Stop the power supply and restart.</li> <li>2. Re-connect the signal wire or replace a new one</li> <li>3. Replace a new controller</li> </ol>

Malfunction	Error code	Reason	Solution
Compressor current protection	EE07	<ol style="list-style-type: none"> <li>1. The compressor current is too large instantaneously</li> <li>2. Wrong connection for compressor phase sequence</li> <li>3. Compressor accumulations of liquid and oil lead to the current becomes larger</li> <li>4. Compressor or driver board damaged</li> <li>5. The water flow is abnormal</li> <li>6. Power fluctuations within a short time</li> </ol>	<ol style="list-style-type: none"> <li>1. Check if the power in the normal range</li> <li>2. Check the compressor</li> <li>3. Check the compressor phase</li> <li>4. Check the phase sequence connection</li> <li>5. Check the waterway system and filtration pump</li> <li>6. Check mains power input</li> </ol>
Communication failure between controller and main board	EE08	<ol style="list-style-type: none"> <li>1. Signal wire is not well connected or damaged</li> <li>2. Controller failure</li> <li>3. Driving failure</li> </ol>	<ol style="list-style-type: none"> <li>1. Stop the power supply and restart. Re-connect the signal wire or replace a new one</li> <li>2. Check the controller or replace a new one</li> <li>3. Check the driving system or update it.</li> </ol>
Communication failure between Main control board and Driving board	EE09	<ol style="list-style-type: none"> <li>1. Poor connection of communication wire</li> <li>2. PCB failure</li> <li>3. The wire is damaged</li> </ol>	<ol style="list-style-type: none"> <li>1. Stop the power supply and restart.</li> <li>2. Reconnect the communication wire or replace a new one</li> <li>3. Check the wirings according to the electric diagram</li> <li>4. Replace a new PCB</li> </ol>
VDC voltage too high protection	EE10	<ol style="list-style-type: none"> <li>1. Line voltage is too high</li> <li>2. Driver board is damaged.</li> </ol>	<ol style="list-style-type: none"> <li>1. Check whether the power supply is normal</li> <li>2. Change driver board or main board</li> </ol>
IPM module protection	EE11	<ol style="list-style-type: none"> <li>1. Data mistake</li> <li>2. Wrong compressor phase connection</li> </ol>	<ol style="list-style-type: none"> <li>1. Program error, turn off electricity supply and restart after 3 minutes</li> </ol>

		<p>3. Compressor liquid and oil accumulation lead to the current becomes larger</p> <p>4. Poor heat dissipation of drive module or high ambient temperature</p> <p>5. Compressor or driver board damaged</p>	<p>2. Check compressor sequence connection</p> <p>3. Check the pressure of system by pressure gauge</p> <p>4. Check if the ambient and water temperature is over high</p> <p>5. If it is the refrigeration system failure, send it to the service center</p> <p>6. Change driver board</p>
VDC voltage too low protection	EE12	<p>1. Mother line voltage is too low</p> <p>2. Driver board is damaged.</p>	<p>1. Check if the power supply is in the normal range</p> <p>2. Change driver board</p>

Malfunction	Error code	Reason	Solution
Input current over high protection.	EE13	<p>1. The compressor current is too large momentary</p> <p>2. The water flow is abnormal</p> <p>3. Power fluctuations within a short time</p> <p>4. Wrong reactor</p>	<p>1. Check the compressor if it works normally</p> <p>2. Check the waterway system</p> <p>3. Check if the power is in the normal range</p> <p>4. Check if the reactor is used correctly.</p>
IPM module thermal circuit is abnormal	EE14	<p>1. Output abnormality of IPM module thermal circuit</p> <p>2. Fan motor is abnormal or damaged</p> <p>3. Fan blade is broken</p>	<p>1. Check if the motor speed is too low or fan motor is damaged, replace it by a new one.</p> <p>2. Replace a new driver board</p> <p>3. Change the fan blade if it is broken</p>
IPM module temperature too high protection	EE15	<p>1. Output exception of IPM module thermal circuit</p> <p>2. Fan motor is abnormal or damaged</p> <p>3. Fan blade is broken</p> <p>4. The screw on driver board is loose</p>	<p>1. Check the main board or replace the driver board</p> <p>2. Check if the motor speed is too low or fan motor is damaged, replace it by a new one if any failure.</p> <p>3. Change the fan blade if it is broken</p> <p>4. Check the screw on driver board</p>
PFC module protection	EE16	<p>1. Output exception of PFC module</p> <p>2. Fan motor is abnormal or damaged</p> <p>3. Fan blade is broken</p> <p>4. Input voltage leap, input power is abnormal</p>	<p>1. Check the main board or replace the driver board</p> <p>2. Check if the motor speed is too low or fan motor is damaged, replace it by a new one.</p> <p>3. Change the fan blade</p> <p>4. Check the input voltage</p>
DC fan motor failure	EE17	<p>1. DC motor is damaged</p> <p>2. For the tri-phase check if the neutral is connected</p> <p>3. Main board is damaged</p> <p>4. The fan blade is stuck</p>	<p>1. Detect DC motor for mono phase machine, replace a new one if any failure</p> <p>2. Check the wiring connection for tri-phase machine</p> <p>3. Check the board, replace a new driver board or main board if any failure</p> <p>4. Check if there is any barrier in front of fan blade and remove it</p>
PFC module thermal circuit is abnormal	EE18	The driver board is damaged	<p>1. Check if the motor speed is too low or fan motor is damaged, replace it by a new one.</p> <p>2. Change a new driver board</p>

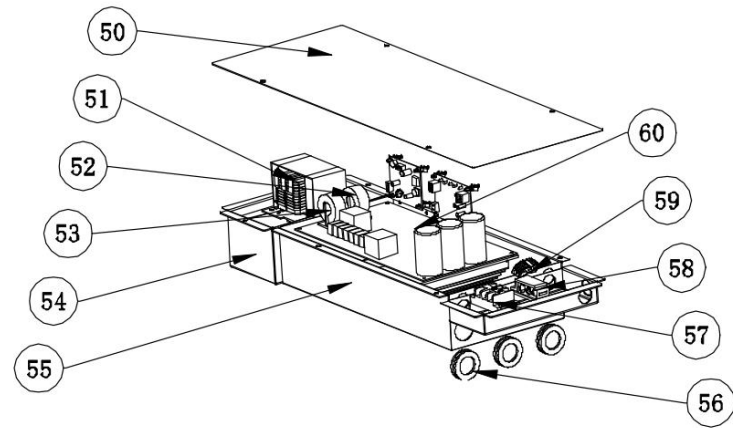
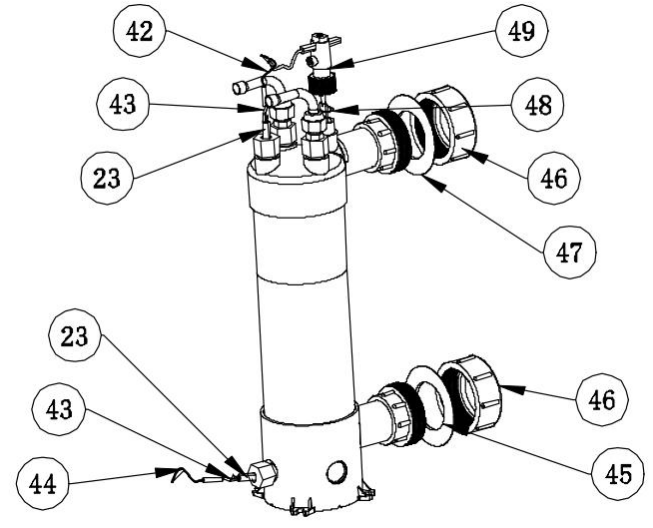
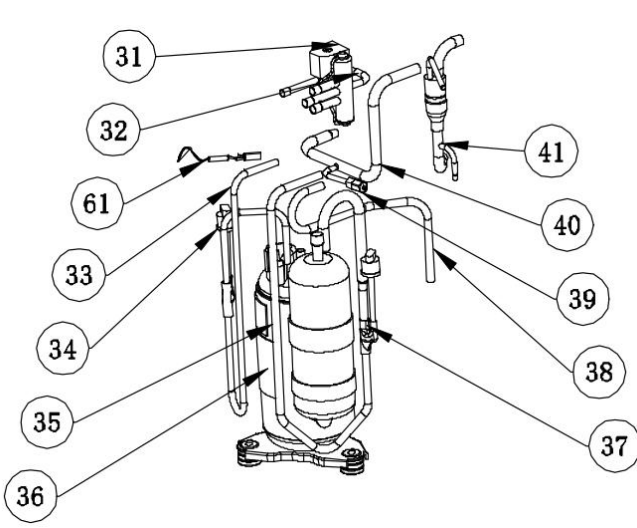
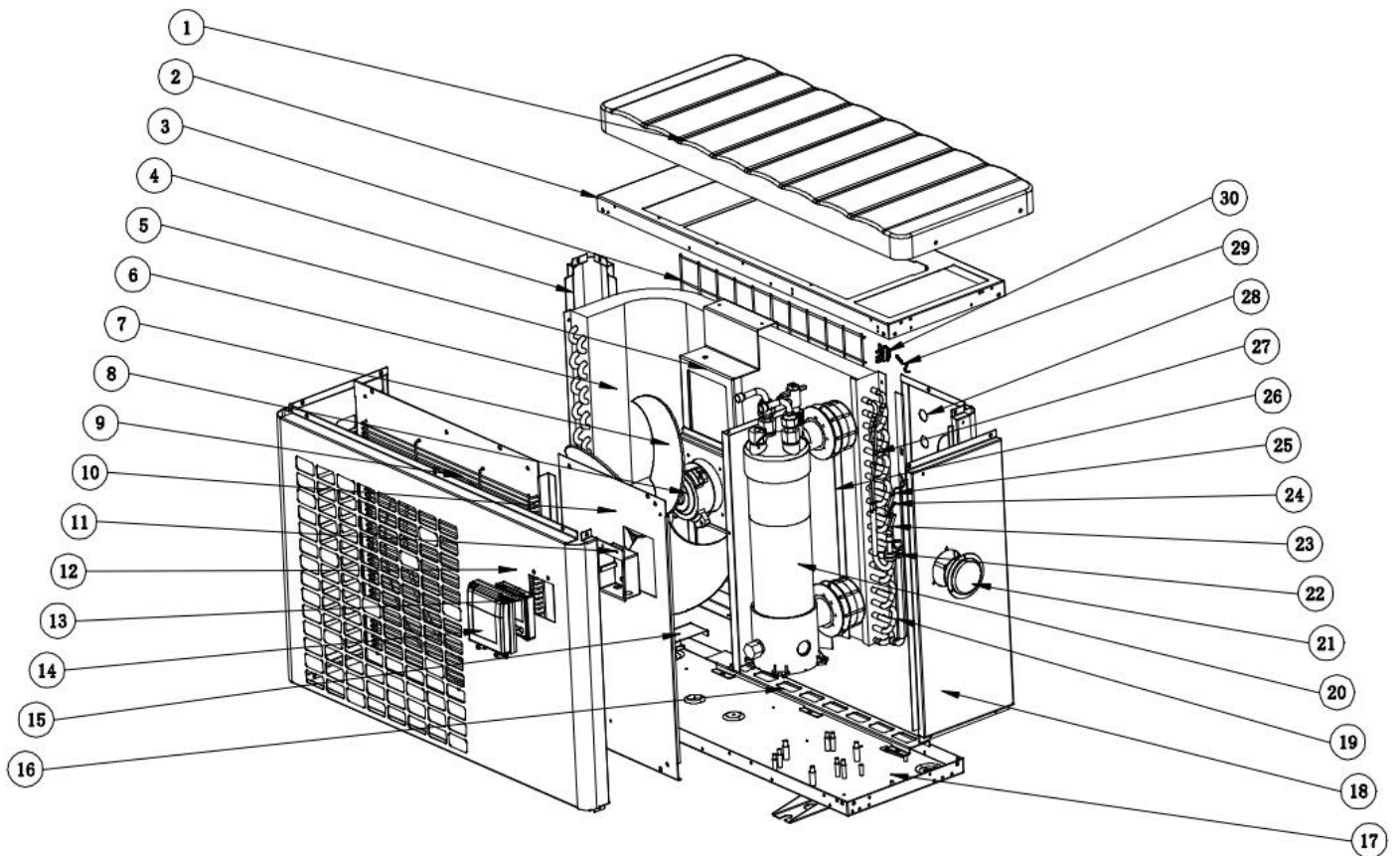
<b>Malfunction</b>	<b>Error code</b>	<b>Reason</b>	<b>Solution</b>
PFC module high temperature protection	EE19	<ol style="list-style-type: none"> <li>1. PFC module thermal circuit output abnormal</li> <li>2. Fan motor is abnormal or damaged</li> <li>3. Fan blade is broken</li> <li>4. The screw in the driver board is not tight</li> </ol>	<ol style="list-style-type: none"> <li>1. Check the main board or replace the driver board</li> <li>2. Check if the motor speed is too low or fan motor is damaged, replace it by a new one if any failure.</li> <li>3. Change the fan blade if it is broken</li> <li>4. Check the screw on driver board</li> </ol>
Input power failure	EE20	The supply voltage fluctuates too much	Check whether the voltage is stable
Software control exception	EE21	<ol style="list-style-type: none"> <li>1. Compressor runs out of step</li> <li>2. Wrong program</li> <li>3. Impurity inside compressor causes the unstable rotate speed</li> </ol>	<ol style="list-style-type: none"> <li>1. Check the main board or change a new one</li> <li>2. Update the correct program</li> <li>3. Check the refrigeration system</li> </ol>
Current detection circuit failure	EE22	<ol style="list-style-type: none"> <li>1. Voltage signal abnormal</li> <li>2. Driver board is damaged</li> <li>3. Main board failure</li> </ol>	<ol style="list-style-type: none"> <li>1. Change a new main board</li> <li>2. Change a new driver board</li> </ol>
Compressor start failure	EE23	<ol style="list-style-type: none"> <li>1. Main board is damaged</li> <li>2. Compressor wiring error or poor contact or unconnected</li> <li>3. Liquid accumulation inside</li> <li>4. Wrong phase connection for compressor</li> </ol>	<ol style="list-style-type: none"> <li>1. Check the main board or change a new one</li> <li>2. Check the compressor wiring according to the circuit diagram</li> <li>3. Check the compressor or change a new one</li> </ol>
Ambient Temperature device failure on Driver board	EE24	Ambient Temperature device failure	Change driver board or main board
Compressor phase failure	EE25	Compressors U, V, W are just connected to one phase or two phases.	Check the actual wiring according to the circuit diagram
EEPROM data read malfunction	EE27	<ol style="list-style-type: none"> <li>1. Wrong EEPROM data in the program or failed input of EEPROM data</li> <li>2. Main board failure</li> </ol>	<ol style="list-style-type: none"> <li>1. Re-enter correct EEPROM data</li> <li>2. Change a new main board</li> </ol>
The inter-chip communication failure on the main control board	EE28	Main board failure	<ol style="list-style-type: none"> <li>1. Stop electricity supply and restart it</li> <li>2. Change a new main board</li> </ol>

## 7.2 Other Malfunctions and Solutions (No display on LED wire controller)

Malfunctions	Observing	Reasons	Solution
Heat pump is not running	LED wire controller no display.	No power supply	Check cable and circuit breaker if it is connected
	LED wire controller displays the actual time.	Heat pump under standby status	Startup heat pump to run.
	LED wire controller displays the actual water temperature.	<ol style="list-style-type: none"> <li>1. Water temperature is reaching to setting value, HP under constant temperature status.</li> <li>2. Heat pump just starts to run.</li> <li>3. Under defrosting.</li> </ol>	<ol style="list-style-type: none"> <li>1. Verify water temperature setting.</li> <li>2. Startup heat pump after a few minutes.</li> <li>3. LED wire controller should display "Defrosting".</li> </ol>
Short running	LED displays actual water temperature, no error code displays.	<ol style="list-style-type: none"> <li>1. Fan NO running.</li> <li>2. Air ventilation is not enough.</li> <li>3. Refrigerant is not enough.</li> </ol>	<ol style="list-style-type: none"> <li>1. Check the cable connections between the motor and fan, if necessary, it should be replaced.</li> <li>2. Check the location of heat pump unit, and eliminate all obstacles to make good air ventilation.</li> <li>3 Replace or repair the heat pump unit.</li> </ol>
water stains	Water stains on heat pump unit.	<ol style="list-style-type: none"> <li>1. Concreting.</li> <li>2. Water leakage.</li> </ol>	<ol style="list-style-type: none"> <li>1. No action.</li> <li>2. Check the titanium heat exchanger carefully if it is any defect.</li> </ol>
Too much ice on evaporator	Too much ice on evaporator.		<ol style="list-style-type: none"> <li>1. Check the location of heat pump unit, and eliminate all obstacles to make good air ventilation.</li> <li>2. Replace or repair the heat pump unit.</li> </ol>

# 8. Exploded Diagram

Model: VSN-10

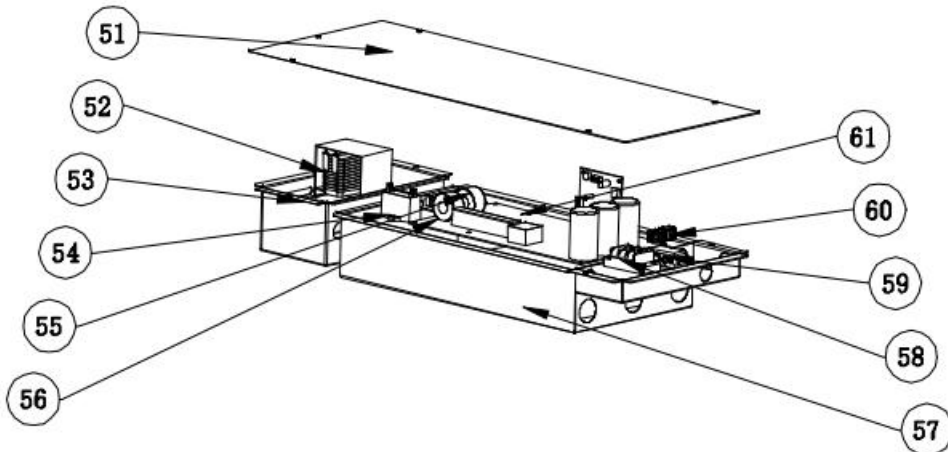
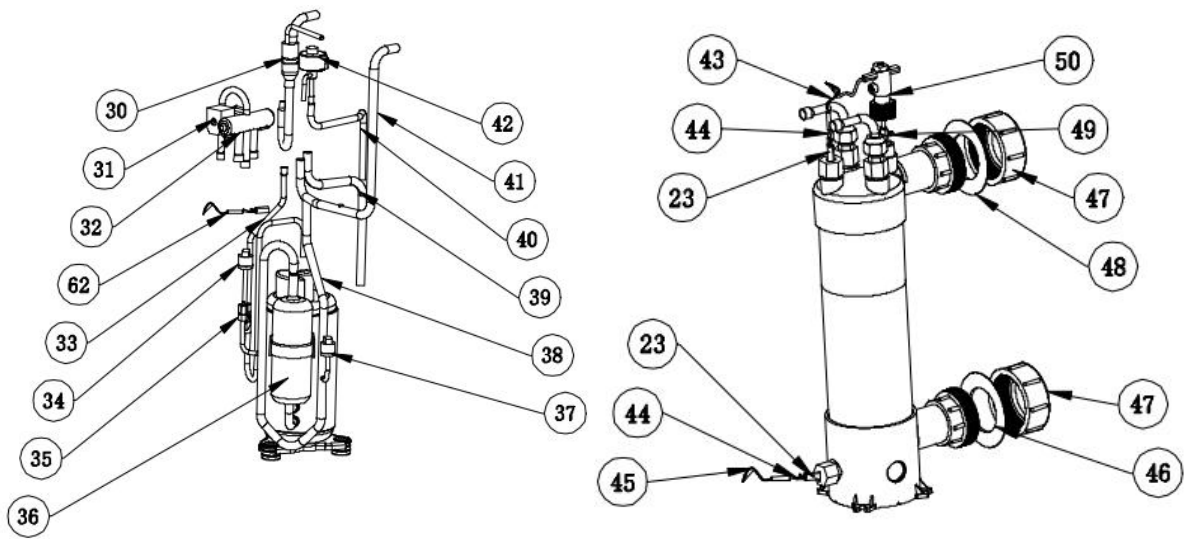
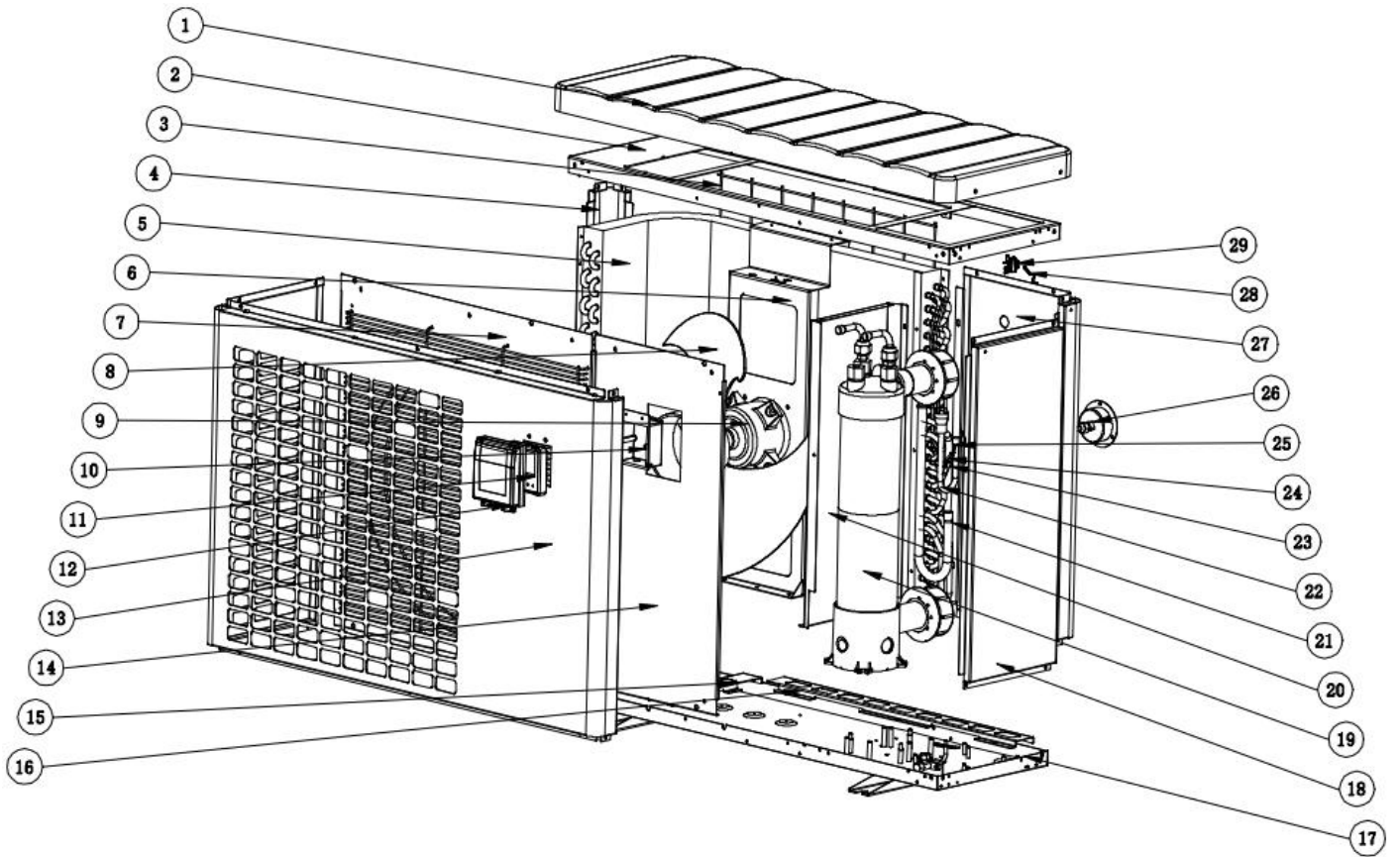


## Spare parts list: VSN-10

NO	ERP	Spare parts	NO	ERP	Spare parts
1	133340015	Top cover	32	121000037	Four-way valve coil
2	108830029	Top frame	33	113010335	Discharge pipe
3	108830014	Back grill	34	112100030	High pressure switch
4	108830055	Pillar	35	113020444	Gas return piping
5	108830054	Fan motor bracket	36	101000187	Compressor
6	103000271	Evaporator	37	112100046	Low pressure switch
7	113600007	Fan blade	38	113060157	Tube
8	112000069	Fan motor	39	120000098	Gas valve
9	108830057	Front panel assembly	40	113030150	4-way valve to exchanger
10	108830024	Maintenance panel	41	113090091	Exchanger to Capillary
11	133030011	Controller box	42	117110012	Water inlet temp. sensor d1-TH6
12	108830058	Front panel	43	108010025	Exchanger temperature sensor clip
13	117020212	Controller	44	117110011	Water outlet temp. sensor d2-TH5
14	113712007	Controller cover	45	133020011	Blue rubber ring
15	108830004	Evaporator pad	46	102050004	Water connection sets
16	108830005	Evaporator pad	47	133020012	Red rubber ring
17	108830001	Base tray	48	133020026	Sealing ring
18	108830059	Right panel	49	112100021-3	Water flow switch
19	103000271	Evaporator pipe	50	108830031	Electric box cover
20	103000271	Titanium heat exchanger	51	117230003	Reactor
21	106000011	Pressure gauge	52	117240002	Magnet ring
22	136020018	Rubber block	53	117240003	Magnet ring
23	113190001	Clip	54	108830026	Reactor box
24	113190007	Sensor holder	55	108830030	Electric box
25	117110004	Evaporator temperature sensor d5-TH2	56	136020119	Rubber ring
26	108830003	Isolation panel	57	115000002	3-ways terminal block
27	103000271	Distribution piping	58	136010004	Clip
28	108830056	Back panel	59	115000060	2-ways terminal block
29	117110020	Ambient temp. sensor d3-TH1	60	117100046	PCB
30	133020010	Ambient temp. sensor clip	61	117110021	Discharge temp. sensor d6-TH3
31	121000035	4 way valve			



Model: VSN-12 / VSN-15 / VSN-17



## Spare parts list: VSN-12

NO	ERP	Spare parts	NO	ERP	Spare parts
1	133300019	Top cover	32	121000037	Four-way valve coil
2	108790071	Top frame	33	113010349	Discharge pipe
3	108790049	Back grill	34	112100030	High pressure switch
4	108790107	Pillar	35	120000097	Gas valve
5	103000283	Evaporator	36	101000188	Compressor
6	108790111	Fan motor bracket	37	112100046	Low pressure switch
7	108790127	Front panel assembly	38	113020460	Gas return piping
8	113600010	Fan blade	39	113060156	Tube
9	112000070	Fan motor	40	113090087	Exchanger to Capillary
10	133030011	Controller box	41	113030155	4-way valve to exchanger
11	117020212	Controller	42	109000053	Capillary
12	113712007	Controller cover	43	117110012	Water inlet temp. sensor d1-TH6
13	108790112	Front panel	44	108010025	Exchanger temperature sensor clip
14	108790081	Maintenance panel	45	117110011	Water outlet temp. sensor d2-TH5
15	108790025	Evaporator pad	46	133020011	Blue rubber ring
16	108790026	Evaporator pad	47	102050004	Water connection sets
17	108790013	Base tray	48	133020012	Red rubber ring
18	108790109	Right panel	49	133020026	Sealing ring
19	102040861	Titanium heat exchanger	50	112100021-3	Water flow switch
20	108790024	Isolation panel	51	108790072	Electric box cover
21	103000283	Evaporator pipe	52	117230003	Reactor
22	103000283	Distribution piping	53	108790073	Reactor box
23	113190001	Clip	54	111000006	Fan capacitor
24	113190007	Sensor holder	55	117240002	Magnet ring
25	117110004	Evaporator temperature sensor d5-TH2	56	117240003	Magnet ring
26	106000011	Pressure gauge	57	108790075	Electric box
27	108790108	Back panel	58	115000002	3-ways terminal block
28	117110020	Ambient temp. sensor d3-TH1	59	136010004	Clip
29	133020010	Ambient temp. sensor clip	60	115000060	2-ways terminal block
30	113030155	4-way valve to exchanger	61	117100046	PCB
31	121000034	4 way valve	62	117110021	Discharge temp. sensor d6-TH3

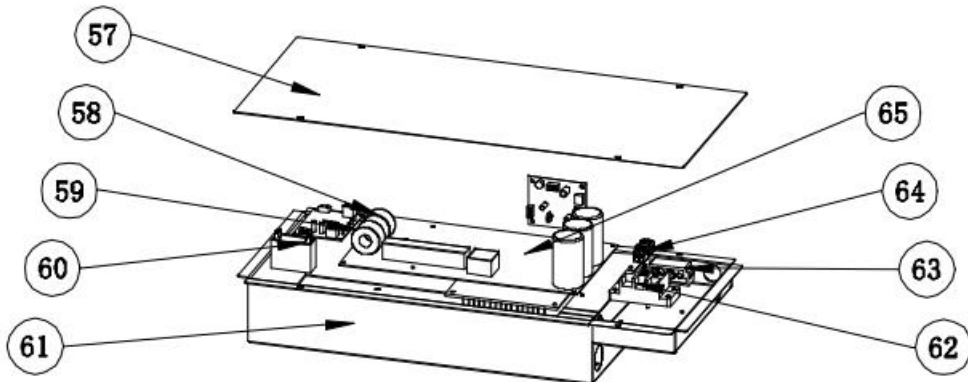
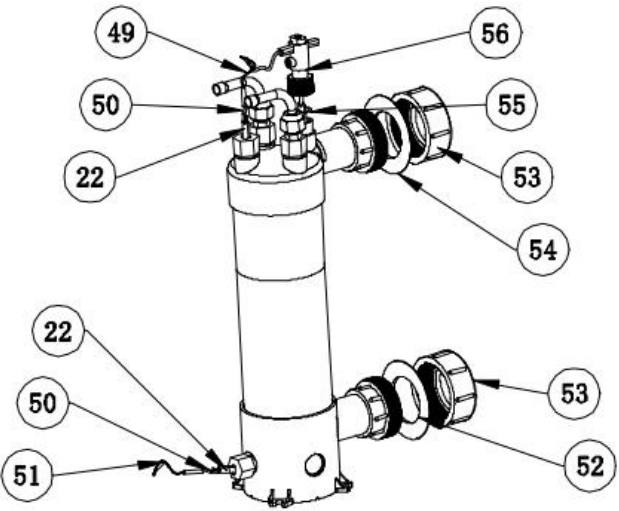
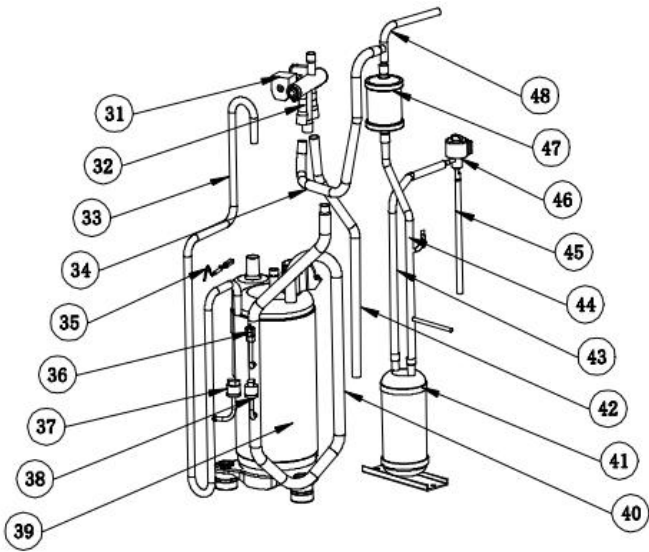
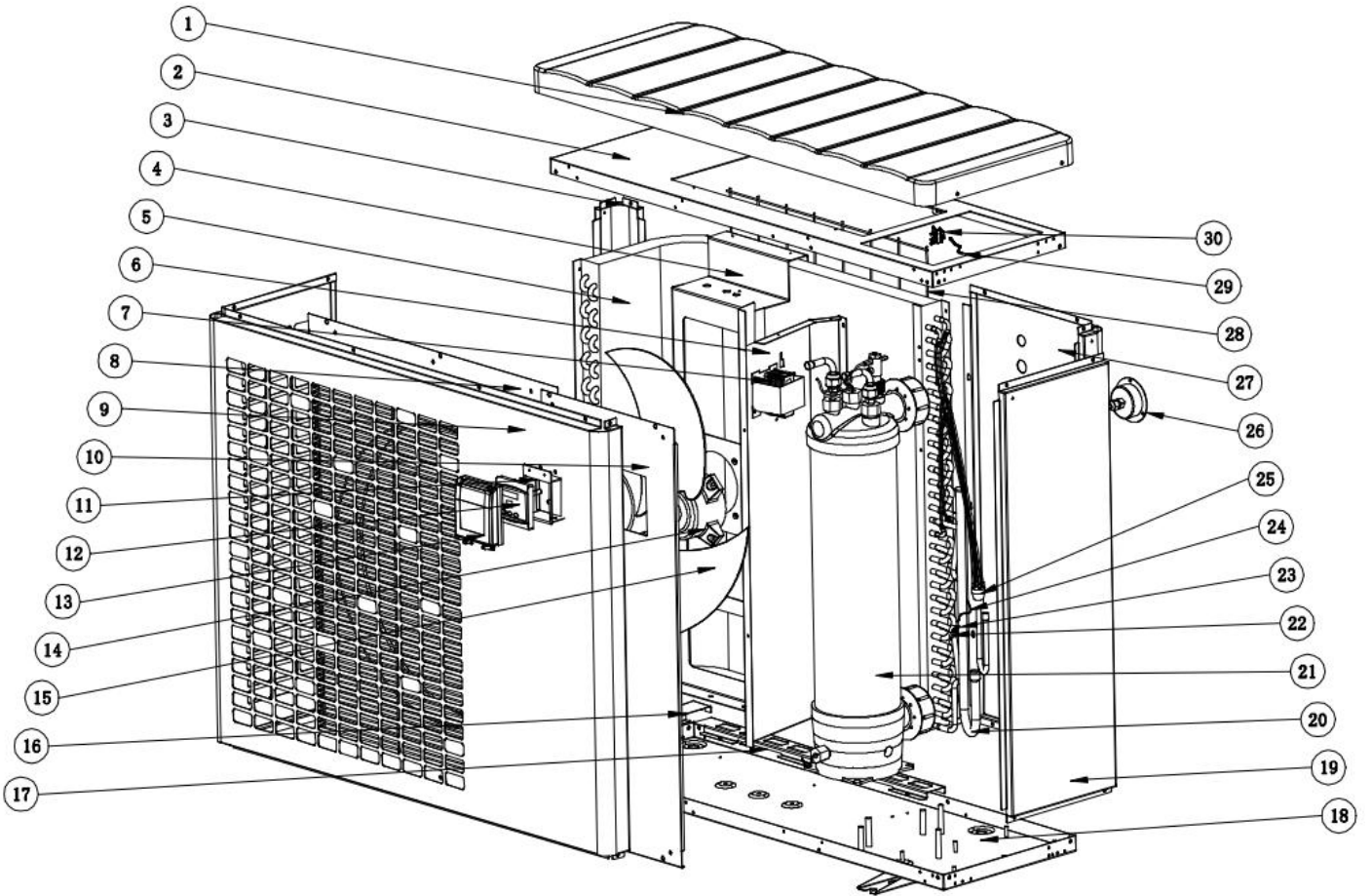
## Spare parts list: VSN-15

NO	ERP	Spare parts	NO	ERP	Spare parts
1	133300019	Top cover	32	121000037	Four-way valve coil
2	108790071	Top frame	33	113010349	Discharge pipe
3	108790049	Back grill	34	112100030	High pressure switch
4	108790107	Pillar	35	120000097	Gas valve
5	103000290	Evaporator	36	101000188	Compressor
6	108790111	Fan motor bracket	37	112100046	Low pressure switch
7	108790127	Front panel assembly	38	113020460	Gas return piping
8	113600010	Fan blade	39	113060156	Tube
9	112000070	Fan motor	40	113080110	Exchanger to Capillary
10	133030011	Controller box	41	113070054	4-way valve to exchanger
11	117020212	Controller	42	119000058	Capillary
12	113712007	Controller cover	43	117110012	Water inlet temp. sensor d1-TH6
13	108790112	Front panel	44	108010025	Exchanger temperature sensor clip
14	108790081	Maintenance panel	45	117110011	Water outlet temp. sensor d2-TH5
15	108790025	Evaporator pad	46	133020011	Blue rubber ring
16	108790026	Evaporator pad	47	102050004	Water connection sets
17	108790013	Base tray	48	133020012	Red rubber ring
18	108790109	Right panel	49	133020026	Sealing ring
19	102040865	Titanium heat exchanger	50	112100021-3	Water flow switch
20	108790024	Isolation panel	51	108790072	Electric box cover
21	103000290	Evaporator pipe	52	117230003	Reactor
22	103000290	Distribution piping	53	108790073	Reactor box
23	113190001	Clip	54	111000006	Fan capacitor
24	113190007	Sensor holder	55	117240002	Magnet ring
25	117110004	Evaporator temperature sensor d5-TH2	56	117240003	Magnet ring
26	106000011	Pressure gauge	57	108790074	Electric box
27	108790108	Back panel	58	115000002	3-ways terminal block
28	117110020	Ambient temp. sensor d3-TH1	59	136010004	Clip
29	133020010	Ambient temp. sensor clip	60	115000060	2-ways terminal block
30	113030155	4-way valve to exchanger	61	117100047	PCB
31	121000034	4 way valve	62	117110021	Discharge temp. sensor d6-TH3

## Spare parts list: VSN-17

NO	ERP	Spare parts	NO	ERP	Spare parts
1	133300019	Top cover	32	121000037	Four-way valve coil
2	108790071	Top frame	33	113010390	Discharge pipe
3	108790049	Back grill	34	112100030	High pressure switch
4	108790107	Pillar	35	120000097	Gas valve
5	103000291	Evaporator	36	101000181	Compressor
6	108790111	Fan motor bracket	37	112100046	Low pressure switch
7	108790127	Front panel assembly	38	113020541	Gas return piping
8	113600010	Fan blade	39	113060156	Tube
9	112000070	Fan motor	40	113080115	Exchanger to Capillary
10	133030011	Controller box	41	113070054	4-way valve to exchanger
11	117020212	Controller	42	119000058	Capillary
12	113712007	Controller cover	43	117110012	Water inlet temp. sensor d1-TH6
13	108790112	Front panel	44	108010025	Exchanger temperature sensor clip
14	108790081	Maintenance panel	45	117110011	Water outlet temp. sensor d2-TH5
15	108790025	Evaporator pad	46	133020011	Blue rubber ring
16	108790026	Evaporator pad	47	102050004	Water connection sets
17	108790093	Base tray	48	133020012	Red rubber ring
18	108790109	Right panel	49	133020026	Sealing ring
19	103000271	Titanium heat exchanger	50	112100021-3	Water flow switch
20	108790024	Isolation panel	51	108790072	Electric box cover
21	103000291	Evaporator pipe	52	117230003	Reactor
22	103000291	Distribution piping	53	108790073	Reactor box
23	113190001	Clip	54	111000006	Fan capacitor
24	113190007	Sensor holder	55	117240002	Magnet ring
25	117110004	Evaporator temperature sensor d5-TH2	56	117240003	Magnet ring
26	106000011	Pressure gauge	57	108790074	Electric box
27	108790108	Back panel	58	115000002	3-ways terminal block
28	117110020	Ambient temp. sensor d3-TH1	59	136010004	Clip
29	133020010	Ambient temp. sensor clip	60	115000060	2-ways terminal block
30	113030172	4-way valve to exchanger	61	117100047	PCB
31	121000034	4 way valve	62	117110021	Discharge temp. sensor d6-TH3

**Model: VSN-21**



NO	ERP	Spare parts	NO	ERP	Spare parts
1	133350015	Top cover	34	113030174	4-way valve to exchanger
2	108840002	Top frame	35	117110004	Evaporator temperature sensor d5-TH2
3	108840081	Pillar	36	120000097	Gas valve
4	108840079	Fan motor bracket	37	112100030	High pressure switch
5	103000292	Evaporator	38	112100046	Low pressure switch
6	108840003	Isolation panel	39	101000185	Compressor
7	117230002	Reactor	40	113020451	Gas return piping
8	108840084	Front panel assembly	41	105000004	Liquid storage tank
9	108840080	Front panel	42	113060159	Tube
10	108840083	Maintenance panel	43	113120040	Pipe from storage tank to EEV
11	133030011	Controller box	44	113130042	Pipe to dehydrator filter
12	117020284	Controller	45	113080111	EEV to distribution piping
13	113712007	Controller cover	46	119000059	EEV
14	111400043	Fan motor	47	120000066	Filter
15	113600013	Fan blade	48	113130035	Dehydrator filter pipe
16	108840004	Evaporator pad	49	117110012	Water inlet temp. sensor d1-TH6
17	108840005	Evaporator pad	50	108010025	Exchanger temperature sensor clip
18	108840001	Base tray	51	117110011	Water outlet temp. sensor d2-TH5
19	108840085	Right panel	52	133020011	Blue rubber ring
20	103000292	Evaporator pipe	53	102050004	Water connection sets
21	102041021	Titanium heat exchanger	54	133020012	Red rubber ring
22	113190001	Clip	55	133020026	Sealing ring
23	113190007	Sensor holder	56	112100021-3	Water flow switch
24	117110021	Discharge temp. sensor d6-TH3	57	108840008	Electric box cover
25	103000292	Distribution piping	58	117240002	Magnet ring
26	106000011	Pressure gauge	59	117240003	Magnet ring
27	108840082	Back panel	60	111000006	Fan capacitor
28	108840014	Back grill	61	108840007	Electric box
29	117110020	Ambient temp. sensor d3-TH1	62	115000025	3-ways terminal block
30	133020010	Ambient temp. sensor clip	63	136010004	Clip
31	121000028	4 way valve	64	115000060	2-ways terminal block
32	121000037	Four-way valve coil	65	117100047	PCB
33	113010339	Discharge pipe			

## 9.Maintenance

### Warning !

-Before any maintenance work on the appliance, you must cut the electricity supply as there is a risk of electric shock which may cause material damage, serious injury or even death.

- It is recommended that the appliance undergo general servicing at least on a yearly basis to ensure its proper operation, maintain performance levels and prevent any possible failures. These operations are carried out at the user's expense, by a qualified technician. for maintenance to be carried out by a qualified technician.

-For maintenance to be carried out by a qualified technician, please read the safety instructions in the previous pages provided in the chapter entitled "maintenance: warnings concerning appliances containing R32 refrigerant" before performing any of the maintenance operations described below.

(1) You should check the water supply system regularly to avoid the air entering the system and occurrence of low water flow, because it would reduce the performance and reliability of HP unit.

(2) Clean your pools and filtration system regularly to avoid the damage of the unit as a result of the dirty or clogged filter.




(3) In another way, you should check the unit is water fully before the unit start to run again.

(4) After the unit is conditioned for the winter season, it is recommended to cover the heat pump with special winter cover.

(5) When the unit is running, there is all the time a little water discharge under the unit.

(6) Please always empty the water in heat pump during winter time or when the ambient temperature drops below 0°C, or else the Titanium exchanger will be damaged because of being frozen, in such case, your warranty will be lost.

# ! ADVERTENCIAS

	Este símbolo indica que hay más información disponible en el Manual de usuario o en el Manual de instalación.		Este símbolo indica que el aparato utiliza R32, un refrigerante con baja velocidad de combustión.
	Este símbolo indica que hay que leer con atención el Manual de usuario.		Este símbolo indica que el técnico de mantenimiento debe manipular el equipo de acuerdo con el Manual de usuario.

## ADVERTENCIAS GENERALES

- El incumplimiento de las advertencias podría deteriorar el equipo de la piscina o provocar heridas graves, incluso la muerte.
- Solo una persona cualificada en los ámbitos técnicos concernidos (electricidad, hidráulico o frigorífico) está habilitada para realizar tareas de mantenimiento o de reparación de este aparato. El técnico cualificado que intervenga sobre el aparato deberá utilizar/llevar un equipo de protección individual adecuado (gafas de seguridad, guantes, etc.) para reducir el riesgo de lesiones que pudieran producirse durante dicha intervención.
- Antes de realizar cualquier intervención en el aparato, asegúrese de que está apagado y desconectado de la red eléctrica.
- Este aparato no debe ser utilizado por personas (incluidos niños mayores de 8 años) con una discapacidad física, sensorial o mental o que no dispongan de la experiencia y el conocimiento adecuados, salvo si se utiliza bajo la supervisión o las instrucciones de una persona responsable de su seguridad y si conocen los riesgos a los que se exponen.
- Los niños deben estar vigilados en todo momento para asegurarse de que no jueguen con el aparato.
- La instalación del aparato debe ser realizada de acuerdo con las instrucciones del fabricante y cumpliendo las normas locales vigentes. El instalador es responsable de la instalación del aparato y del cumplimiento de las normativas nacionales de instalación. En ningún caso el fabricante será responsable del incumplimiento de las normas de instalación locales en vigor.
- Para cualquier acción que no se corresponda con el mantenimiento simple a cargo del usuario descrito en el presente manual, se deberá recurrir a un técnico cualificado.
- Una instalación y/o un uso incorrectos pueden ocasionar daños materiales o provocar lesiones corporales graves, incluso la muerte.
- En caso de mal funcionamiento del equipo: no intente repararlo usted mismo y contacte con un técnico cualificado.
- Cualquier desactivación, la eliminación o elusión de uno de los elementos de seguridad incluidos en el aparato anulará automáticamente la garantía, así como el uso de piezas de recambio no originales, procedentes de fabricantes no autorizados.
- No pulverice insecticida ni ningún otro producto químico (inflamable o no inflamable) sobre el aparato, ya que podría deteriorar la carrocería y provocar un incendio.
- No toque el ventilador ni las piezas móviles y no introduzca ninguna varilla ni los dedos a través de la rejilla durante el funcionamiento del mismo. Las piezas móviles pueden provocar lesiones e incluso la muerte.
- Mantenga el controlador de pantalla en un lugar seco o cierre bien la cubierta de aislamiento para proteger



el controlador de pantalla de los daños causados por la humedad.

### **AVERTISSEMENTS LIÉS À DES APPAREILS ÉLECTRIQUES**

- La alimentación eléctrica del aparato se debe proteger mediante un dispositivo de corriente diferencial residual (DDR) de 30 mA, de acuerdo con las normas vigentes en el país de instalación.
- No utilice alargaderas para conectar el aparato a la red eléctrica; conéctelo directamente a un enchufe mural adaptado.
- Antes de cualquier operación, compruebe que:

La tensión indicada en el aparato corresponde con la de la red.

La red de alimentación eléctrica es adecuada para el uso del aparato y cuenta con una toma de tierra.

### **El enchufe se adapta a la toma de corriente.**

- No desconecte y vuelva a conectar el aparato en funcionamiento.
- No tire del cable de alimentación para desenchufarlo.
- Si el cable de alimentación está deteriorado, deberá ser reemplazado por el fabricante, su agente de mantenimiento o un técnico cualificado para evitar eventuales riesgos.
- No realice ninguna intervención de limpieza o de mantenimiento del aparato con las manos mojadas o si el aparato está húmedo.
- Antes de conectar la unidad a la fuente de alimentación, verifique que el bloque de terminales o la toma de corriente a la que se conectará la unidad estén en buenas condiciones y no estén dañados ni oxidados.
- En caso de tormenta, desconecte el aparato de la red para evitar que sea dañado por un rayo.
- No sumerja el aparato en agua ni en barro ;

### **ADVERTENCIAS RELACIONADAS CON LOS APARATOS QUE CONTIENEN REFRIGERANTE R32**

- Este aparato contiene refrigerante R32, de categoría A2L y potencialmente inflamable.
- No descargar el fluido R32 en la atmósfera, ya que es un gas fluorado de efecto invernadero, cubierto por el protocolo de Kioto, con potencial de calentamiento global (GWP) = 675 (ver directiva europea UE 517/2014).
- El aparato se debe almacenar en un lugar bien ventilado, lejos de cualquier fuente de llama.
- Instale el aparato en el exterior. No instale el aparato en el interior ni en un lugar cerrado y sin ventilación natural.
- No emplee métodos de aceleración del proceso de deshielo o de limpieza no recomendados por el fabricante.
- El aparato se debe almacenar en un lugar alejado de toda fuente constante de ignición (p. ej.: llamas abiertas, aparato de gas encendido o calefacción eléctrica encendida).
- No perforar ni incinerar el aparato.
- El refrigerante R32 puede soltar cierto olor.
- Para cumplir con las normas y los reglamentos en materia ambiental y de instalación, en concreto el Decreto n.º 2015-1790 y/o el Reglamento UE 517/2014, se debe realizar una prueba de fugas en el circuito de refrigeración al menos una vez al año. Esta operación debe ser realizada por un especialista certificado en aparatos de refrigeración.
- Mantenga el controlador de pantalla en un lugar seco o cierre bien la cubierta de aislamiento para proteger el controlador de pantalla de daños por la humedad.

### **MANTENIMIENTO: ADVERTENCIAS RELACIONADAS CON LOS APARATOS QUE CONTIENEN REFRIGERANTE R32**

- Durante la limpieza del aparato, hay que controlar la composición y el estado del fluido térmico, así como la ausencia de restos de refrigerante.
- Durante el control anual de estanqueidad del aparato, según la normativa vigente, se debe comprobar que los presostatos de alta y baja presión están bien conectados al circuito frigorífico y que cortan el circuito eléctrico en caso de dispararse.
- Durante el mantenimiento, compruebe que no hay restos de corrosión ni manchas de aceite alrededor de los componentes refrigerantes.
- No sude ni sude la tubería si hay refrigerante dentro de la máquina. No cargue el gas cuando se encuentre en un espacio confinado.

#### ***Verificación de la zona***

- Antes de comenzar a trabajar en sistemas que contienen refrigerantes inflamables, es necesario realizar controles de seguridad para reducir el riesgo de ignición.

#### ***Protocolo de trabajo***

- El trabajo se debe realizar siguiendo un protocolo controlado para reducir el riesgo de liberación de gases o vapores inflamables durante el trabajo.
- Antes de cualquier intervención en el circuito refrigerante, hay que parar obligatoriamente el aparato y esperar unos minutos antes de colocar los sensores de temperatura o de presión; algunos equipos, como el compresor y las tuberías, pueden alcanzar temperaturas superiores a 100°C y presiones elevadas que pueden provocar quemaduras graves.

#### ***Zona general de trabajo***

- Todo el personal de mantenimiento y el resto de personas que trabajan en la zona aledaña deberán ser informados del trabajo realizado. Se debe evitar trabajar en espacios confinados.

#### ***Verificación de la presencia de refrigerante***

- El área debe ser revisada por un detector de refrigerante apropiado antes y durante los trabajos para poder informar al técnico de la presencia de una atmósfera potencialmente tóxica o inflamable. Asegúrese de que el equipo de detección de fugas utilizado se adapte al uso de todos los refrigerantes concernidos, es decir, que no pueda provocar chispas, esté bien aislado o sea totalmente seguro.

#### ***Presencia de un extintor***

- Para toda intervención en el equipo de refrigeración o en cualquier componente que requiera cierta temperatura, habrá que tener siempre a mano un equipo de extinción de incendios apropiado. Instale un extintor de polvo o CO2 cerca de la zona de trabajo.

#### ***Ausencia de fuente de ignición***

- Toda persona que intervenga en un sistema de refrigeración y tenga que poner al descubierto los tubos deberá evitar el uso de fuentes de ignición que puedan suponer un riesgo de incendio o de explosión. Todas las fuentes de ignición, incluido un cigarrillo, deben mantenerse a una distancia segura de la zona de instalación, reparación, extracción o eliminación cuando el refrigerante pueda llegar a ser liberado en el área aledaña. Antes de realizar cualquier intervención, hay que examinar el área circundante al equipo para asegurarse de que no haya peligro de incendios o chispas. Se deben colocar carteles de "Prohibido fumar".

#### ***Ventilación de la zona***

- Antes de acceder para cualquier tarea de mantenimiento, asegúrese de que la zona esté abierta y bien

ventilada. Se debe mantener una ventilación adecuada que permita la dispersión segura de cualquier refrigerante eventualmente liberado a la atmósfera durante las tareas de mantenimiento del aparato.

### ***Verificación del equipo de refrigeración***

- Se deben seguir siempre las recomendaciones de mantenimiento y de limpieza del fabricante. Cuando reemplace componentes eléctricos, asegúrese de usar solo componentes del mismo tipo y categoría que estén recomendados o autorizados por el fabricante. En caso de duda, consulte con el servicio técnico del fabricante.
- En instalaciones que utilizan refrigerantes inflamables se deben realizar las siguientes verificaciones: las marcas en el equipo deben permanecer visibles y legibles y hay que corregir toda marca o señal ilegible los tubos o componentes del circuito frigorífico se suelen colocar en lugares poco expuestos a sustancias que puedan corroer los componentes que contienen refrigerante, salvo si los componentes están fabricados con materiales resistentes a la corrosión o adecuadamente protegidos contra la corrosión.

### ***Verificación de los componentes eléctricos***

- La reparación y el mantenimiento de componentes eléctricos deben incluir controles de seguridad iniciales y procedimientos de inspección de los componentes. En caso de fallo susceptible de comprometer la seguridad, no se debe conectar una fuente de alimentación al circuito hasta la resolución total del problema. Si no se puede subsanar dicho fallo de inmediato, pero hay que proseguir con el trabajo, se deberá hallar una solución temporal apropiada y comunicar al propietario del equipo esta situación para que todos los interesados sean informados de ello.
- La reparación y el mantenimiento de componentes eléctricos deben incluir los siguientes controles de seguridad iniciales:

#### **condensadores descargados: hacerlo de manera segura para evitar cualquier riesgo de ignición**

no exponer ningún componente eléctrico ni cableado eléctrico durante la carga, la reparación o la purga del sistema mantener en todo momento la conexión a tierra.

### ***Reparación de los componentes aislados***

- Para las reparaciones de componentes aislados, todas las fuentes de alimentación eléctrica se deben desconectar del equipo intervenido antes de retirar la cubierta, etc. Si el equipo debe seguir conectado a la red eléctrica durante el mantenimiento, habrá que instalar un detector de fugas que funcione permanentemente en el punto más crítico para que informe de cualquier situación potencialmente peligrosa.
- Para garantizar que al trabajar con componentes eléctricos la caja no se vea afectada y se reduzca el nivel de protección, se debe prestar especial atención a los siguientes puntos: cables dañados, número excesivo de conexiones, terminales que no cumplen con los requisitos originales, juntas deterioradas, instalación incorrecta de los prensaestopas, etc.
- Compruebe que el aparato esté correctamente fijado.
- Asegúrese de que las juntas o los materiales aislantes no se hayan deteriorado hasta el punto de que no puedan proteger el circuito ante una concentración de atmósfera inflamable. Las piezas de repuesto deben cumplir siempre con las especificaciones del fabricante.

### ***Reparación de componentes intrínsecamente seguros***

- No aplique ninguna carga por inducción o eléctrica continua al circuito sin antes haberse asegurado de que no exceda el voltaje y la intensidad permitidos para el equipo en cuestión.
- Los componentes normalmente seguros son los únicos en los que se puede trabajar si están bajo tensión en presencia de una atmósfera inflamable. El aparato de prueba debe ser de la clase apropiada.

Reemplace los componentes solo con piezas especificadas por el fabricante. De lo contrario, otras piezas podrían encender el refrigerante en la atmósfera en caso de fugas.

### ***Cableado***

- Verifique que el cableado no presente desgaste, corrosión o esté expuesto a presión excesiva, vibración, bordes cortantes u otros efectos ambientales adversos. Se debe controlar asimismo los efectos del envejecimiento o de las vibraciones continuas causadas por fuentes como compresores o ventiladores.

### ***Detección de fluido refrigerante inflamable***

- No se deben utilizar en ningún caso fuentes potenciales de ignición para la búsqueda o detección de fugas de refrigerante. No se deben utilizar lámparas de haluro ni cualquier otro detector de llama abierta.
- Los siguientes métodos de detección de fugas se consideran aceptables para todos los sistemas de refrigeración.
- Se pueden emplear detectores electrónicos de fugas para detectar fugas de refrigerante. No obstante, en el caso de refrigerantes inflamables, la sensibilidad puede no ser adecuada o puede requerir un reajuste. (El equipo de detección se debe calibrar en un lugar libre de cualquier refrigerante). Asegúrese de que el detector no sea una fuente potencial de ignición y que sea adecuado para el refrigerante utilizado. El equipo de detección de fugas se debe ajustar a un porcentaje del LFL del refrigerante y se debe calibrar en función del refrigerante empleado. Se debe confirmar el porcentaje de gas apropiado (25 % máximo).
- Los fluidos de detección de fugas también se adaptan para la mayoría de los refrigerantes, pero hay que evitar utilizar detergentes que contengan cloro, ya que pueden reaccionar con el refrigerante y corroer los tubos de cobre.
- En caso de sospecha de fuga, habrá que eliminar o extinguir todas las llamas desnudas.
- Si se detecta una fuga de refrigerante y se requiere una intervención de soldadura, habrá que retirar todo el refrigerante del sistema o aislarlo (mediante las válvulas de cierre) en una parte del sistema alejado de dicha fuga.

### ***Retirada y evacuación***

- Para acceder al circuito de refrigerante en caso de reparaciones o por cualquier otro motivo, hay que seguir los procedimientos estandarizados. Sin embargo, para refrigerantes inflamables se deben respetar escrupulosamente las recomendaciones específicas, a saber:

retirar el refrigerante

purgar el circuito con un gas inerte (opcional para A2L)

evacuar (opcional para A2L)

purgar con un gas inerte (opcional para A2L)

**abrir el circuito mediante corte o soldadura.**

- El refrigerante se debe recuperar en las botellas de recuperación apropiadas. Para los aparatos que contienen refrigerantes inflamables que no sean refrigerantes A2L, el sistema se debe purgar con nitrógeno sin oxígeno para adecuar el aparato a refrigerantes inflamables. Puede ser necesario repetir este proceso varias veces. No se debe usar aire comprimido ni oxígeno para purgar los sistemas de refrigeración.

### ***Protocolo de carga***

- Asegúrese de que la salida de la bomba de vacío no esté cerca de ninguna fuente potencial de ignición y que haya una ventilación adecuada.
- Además de los procedimientos de carga habituales, se deben respetar los siguientes requisitos:
- Asegúrese de que no haya posibilidad alguna de contaminación entre diferentes

- refrigerantes al usar un equipo de carga. Las mangueras o líneas deben ser lo más cortas posible para reducir la cantidad de refrigerante que contienen.
- Las botellas deben mantenerse en una posición adecuada según las instrucciones.
- Asegúrese de que el sistema de refrigeración esté conectado a tierra antes de cargarlo con refrigerante.
- Etiquete el sistema una vez cargarlo (si no se ha hecho antes).
- Tenga mucho cuidado de no llenar en exceso el sistema de refrigeración.
- Antes de volver a cargar el sistema, hay que realizar una prueba de presión con el gas de purga adecuado. Se debe examinar el sistema para detectar fugas al final de cada carga, pero antes de la puesta en marcha. Antes de abandonar la instalación, hay que realizar una prueba de control de fugas.

### **Desmantelamiento**

● Antes de cualquier desmantelamiento, es fundamental que el técnico esté familiarizado con el equipo y sus características. Se recomienda en particular recuperar todos los refrigerantes. Antes de llevar a cabo esta tarea, hay que recuperar una muestra de aceite y de refrigerante para eventuales pruebas necesarias antes de emplear el refrigerante recuperado. Antes de comenzar la tarea, es fundamental verificar la presencia de alimentación eléctrica.

1. Familiarícese con el equipo y su funcionamiento.

2. Aísle eléctricamente el sistema.

3. Antes de comenzar, asegúrese de que:

el equipo de manipulación mecánica esté disponible (en caso necesario) para mover las botellas de refrigerante

todo el equipo de protección individual esté disponible y se use correctamente

el proceso de recuperación esté supervisado en todo momento por una persona cualificada

el equipo y las botellas de recuperación cumplan con las normas aplicables en vigor.

4. Evacúe el sistema de refrigeración si es posible.

5. Si no se puede crear vacío, instale un colector para retirar el refrigerante desde varios lugares del sistema.

6. Asegúrese de que la botella esté bien colocada en la balanza antes de comenzar la recuperación de refrigerante.

7. Ponga en marcha la máquina de recuperación y utilícela siguiendo las instrucciones.

8. No cargue en exceso las botellas (no más del 80 % del volumen de carga líquida).

9. No supere la presión máxima de trabajo de la botella, ni siquiera temporalmente.

10. Una vez las botellas correctamente llenadas y el proceso completado, asegúrese de que se retiren rápidamente las botellas y el equipo de la instalación y que las válvulas de aislamiento alternativas en el equipo estén cerradas.

11. El refrigerante recuperado no se debe utilizar en otro sistema de refrigeración a menos que haya sido limpiado y verificado.

### **REPARACIÓN**

● Todas las intervenciones de soldadura deberán ser realizadas por soldadores cualificados.

● La sustitución de tuberías solo se debe realizar con tubo de cobre según la norma francesa NF EN 12735-1.

● Detección de fugas, como en el caso de la prueba bajo presión:

no utilice nunca oxígeno ni aire seco, debido al riesgo de incendio o de explosión,

utilice nitrógeno deshidratado o una mezcla de nitrógeno y de refrigerante indicada en la placa descriptiva,

si el aparato dispone de un manómetro, al medir la presión, la alta no debe superar los 42 bares.

● Para las tuberías del circuito de alta presión realizadas con tubo de cobre con un diámetro  $\geq$  a 1''5/8, debe pedir al proveedor un certificado §2.1 según la norma francesa NF EN 10204 e incluirlo en el informe

técnico de la instalación.

- En la placa descriptiva figura la información técnica relativa a las exigencias de seguridad de las distintas directivas aplicadas. Toda esta información debe figurar en las instrucciones de instalación del aparato, incluida en el informe técnico de la instalación: modelo, código número de serie, TS máx. y mín., PS, año de fabricación, marcado CE, dirección del fabricante, refrigerante y peso, parámetros eléctricos, rendimiento termodinámico y acústico.

## ETIQUETADO

- El equipo debe estar etiquetado, con la indicación de haber sido desarmado y vaciado de todo el refrigerante.
- La etiqueta debe incluir fecha y firma.
- Para los aparatos que tienen un refrigerante inflamable, asegúrese de que las etiquetas estén pegadas al equipo y que indiquen la presencia de un refrigerante inflamable.

## RECUPERACIÓN

- Al vaciar el refrigerante para tareas de mantenimiento o para el desmantelamiento del equipo, conviene seguir las mejores prácticas para vaciar todo el refrigerante de manera segura.
- Al transferir el refrigerante a una botella, asegúrese de emplear una botella de recuperación adaptada a dicho refrigerante. Asegúrese de tener la cantidad correcta de botellas para recuperar todo el líquido. Todas las botellas que se vayan a utilizar deben estar diseñadas para la recuperación de refrigerante y deben estar etiquetadas para ese refrigerante concreto. Las botellas deben llevar una válvula de vacío y válvulas de cierre en buen estado. Las botellas de recuperación vacías se deben evacuar y, si es posible, enfriar antes de la recuperación.
- El equipo de recuperación debe funcionar correctamente, las instrucciones del equipo deben permanecer siempre al alcance del personal y el equipo debe ser el adecuado para el refrigerante en cuestión, incluido, cuando corresponda, el refrigerante inflamable. Además, hay que disponer de un conjunto de balanzas bien calibradas y en buen estado de funcionamiento. Los tubos deben estar completos, sin fugas ni racores desconectados y en buen estado. Antes de utilizar la máquina de recuperación, verifique que esté en buenas condiciones de funcionamiento, que se haya mantenido adecuadamente y que los componentes eléctricos asociados estén sellados para evitar cualquier riesgo de ignición cuando se libera refrigerante. En caso de duda, consulte con el fabricante.
- El refrigerante recuperado se debe devolver al proveedor de refrigerante en su botella de recuperación, junto con una nota de transferencia de residuos. No mezcle distintos refrigerantes en los recipientes de recuperación, sobre todo en las botellas.
- Si se quita el compresor o se purga el aceite del compresor, verifique que se haya vaciado por completo el refrigerante para evitar la mezcla con lubricante. El proceso de vaciado debe realizarse antes de devolver el compresor al proveedor. Solo el calentador eléctrico del cuerpo del compresor se puede emplear para acelerar este proceso. La purga de todos los líquidos de un sistema se debe llevar a cabo de manera segura.



### Reciclaje

Este símbolo requerido por la directiva europea RAEE 2012/19/UE (directiva sobre residuos de aparatos eléctricos y electrónicos) significa que no debe tirar a la basura el aparato. Hay que depositarlo en un contenedor adaptado de recogida selectiva para su reutilización, reciclaje o recuperación. Si contiene sustancias potencialmente peligrosas para el medio ambiente, estas deberán ser eliminadas o neutralizadas.

Consulte con su distribuidor las modalidades de reciclaje.

# VSN INVERTER -5°C

## Bomba de calor para Piscina

### ÍNDICE

- 1.Especificaciones
- 2.Dimensión
- 3.Instalación y conexión
- 4.Accesorios
- 5.Cableado eléctrico
- 6.operación del controlador de pantalla
- 7.Resolución de problemas
- 8.Diagrama de explosión
- 9.mantenimiento

Gracias por usar nuestra bomba de calor para calentar la piscina, calentará el agua de su piscina y mantendrá la temperatura constante cuando la temperatura ambiente del aire esté entre -5 y 43 °C



**ATENCIÓN:** Este manual contiene toda la información necesaria.

- El instalador debe leer el manual y seguir atentamente las instrucciones de instalación y mantenimiento.
- El instalador es responsable de la instalación del producto y debe seguir todas las instrucciones del fabricante y las normativas vigentes. La instalación incorrecta según el manual implica la exclusión de toda la garantía.
- El fabricante declina cualquier responsabilidad por los daños causados a las personas, objetos y de los errores debidos a la instalación que desobedezca la guía manual. Cualquier uso que no sea de conformidad en el origen de su fabricación se considerará peligroso.

# 1.Ficha Técnica

## Datos técnicos

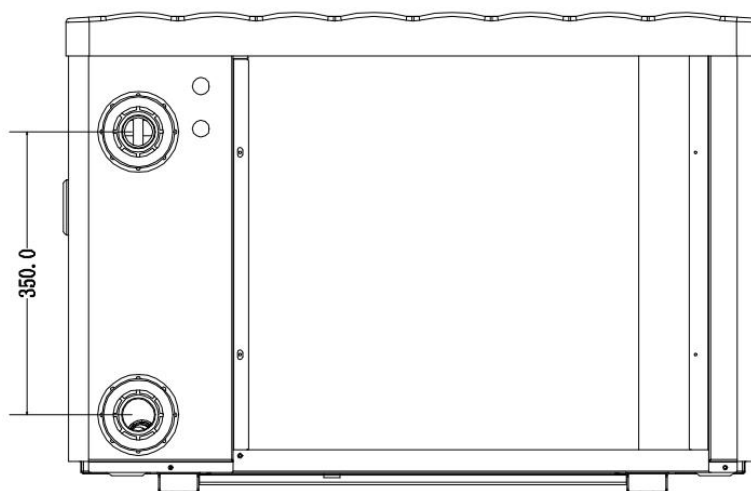
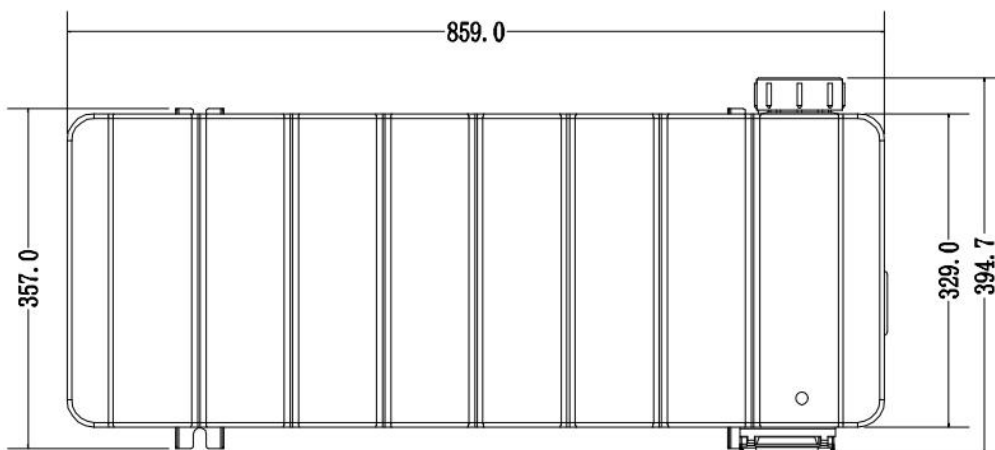
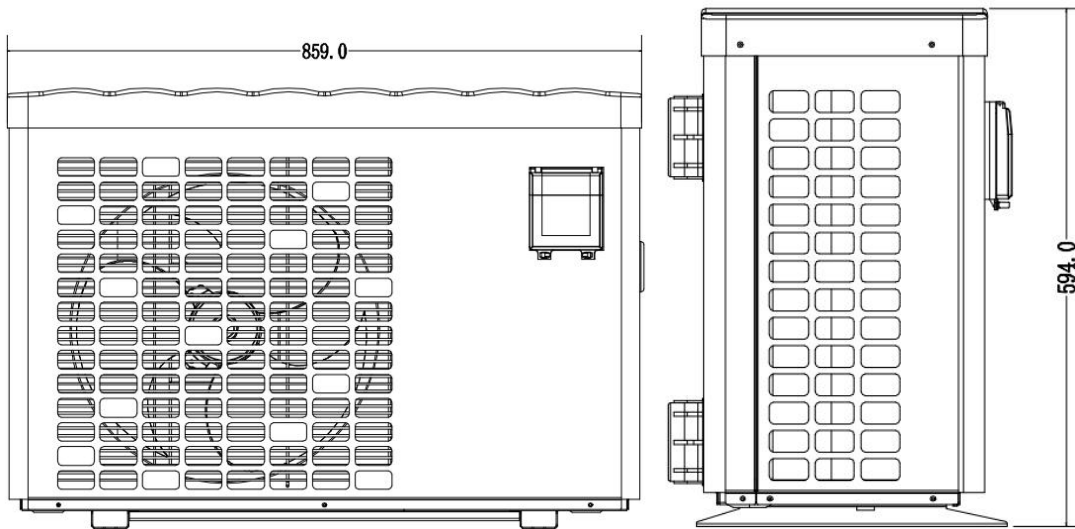
Model		74152	74153	74154	74155	74156
Code		VSN-10	VSN-12	VSN-15	VSN-17	VSN-21
<b>* Rendimiento en aire 28 °C, agua 28 °C, humedad 80%</b>						
Potencia de calentamiento	kW	10-3.5	12-4.8	15-5	17-5.3	21-4.7
Consumo de potencia	kW	1.61-0.43	1.96-0.6	2.5-0.63	2.85-0.66	3.39-0.59
C.O.P.		8.5-6.2	8.5-6.1	8.5-6	8.5-6	8.5-6.2
<b>* Performance at Air 15°C, Water 26°C, Humidity 70%</b>						
Potencia de calentamiento	kW	7-2.5	8.5-3.5	10-3.6	12-3.8	15-3.9
Consumo de potencia	kW	1.65-0.43	1.98-0.6	2.38-0.62	2.8-0.66	3.5-0.67
C.O.P.		5.8-4.2	5.8-4.3	5.8-4.2	5.8-4.3	5.8-4.3
<b>* Informacion General</b>						
Tipo de compresor		Inverter Compressor				
Voltaje	V	220~240V / 50Hz or 60Hz /1PH				
Corriente nominal/ distinguir corrientes nomin/ máx	A	7.20	8.70	11.00	11.90	15.00
Fusible mínimo	A	11.00	13.00	17.00	18.00	23.00
Caudal de agua óptimo	m <sup>3</sup> /h	2.80	3.70	4.00	4.60	5.00
Caída de presión de agua	Kpa	12	14	15	15	18
Intercambiador de calor		Twist-titanium tube in PVC				
Conexión de agua	mm	50				
No. of Fan		1				
Ventilation type		Horizontal				
Nivel de ruido (10m)	dB(A)	28-35	29-37	30-39	30-39	32-41
Nivel de ruido (1m)	dB(A)	45-52	46-54	47-56	47-56	49-58
Cantidad de refrigerante(R32)	g	650	750	950	1100	1500
CO2 equivalente	Tonne	0.44	0.51	0.64	0.74	1.01
<b>* Dimension/ Weight</b>						
Peso neto	kg	56.00	68.00	73.00	78.00	98.00
Peso bruto	kg	68.00	73.00	78.00	83.00	113.00
Dimensión neta	mm	859*394.7*594	987*418.7*693.5			1074*462.6*894
Dimensión de embalaje	mm	890*425*630	1015*445*715			1105*490*920

\* Above data is subject to update without prior notice.

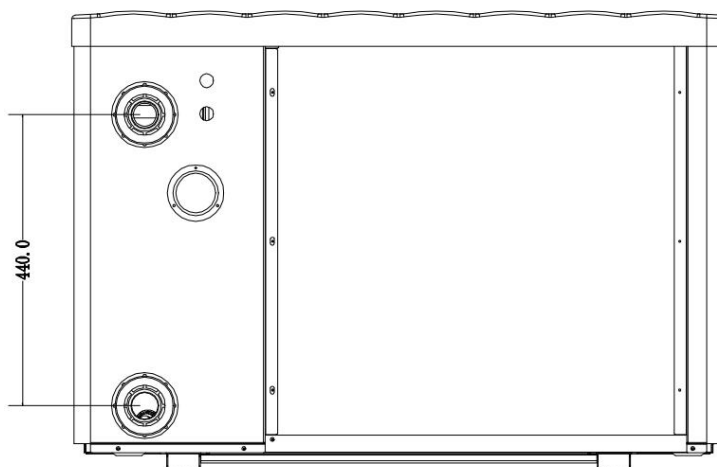
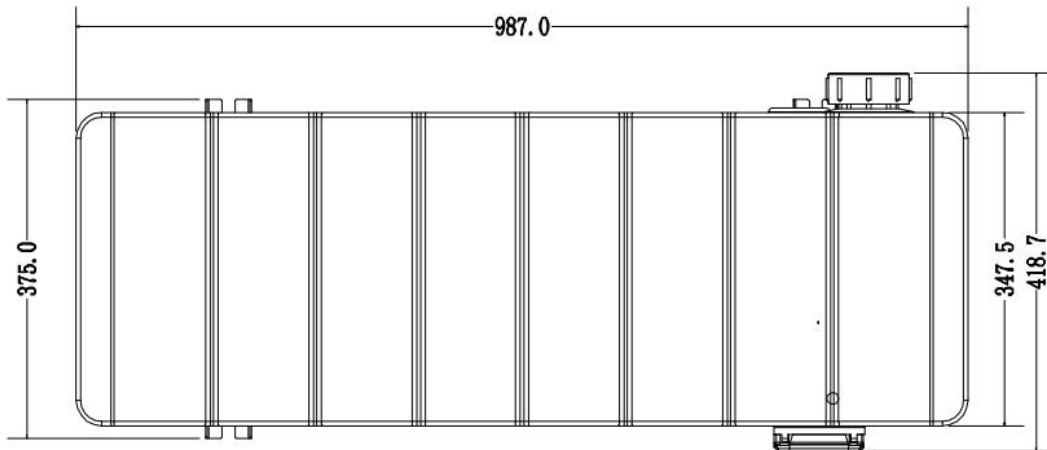
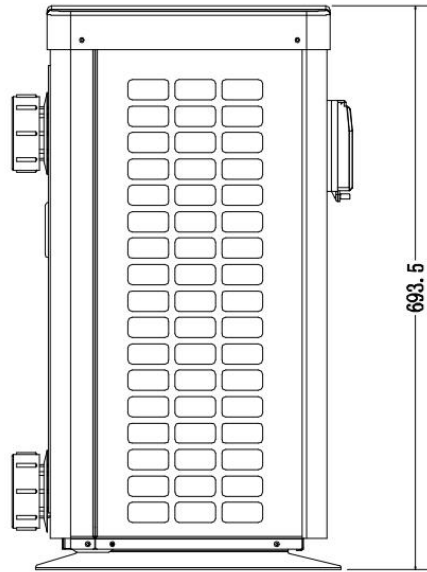
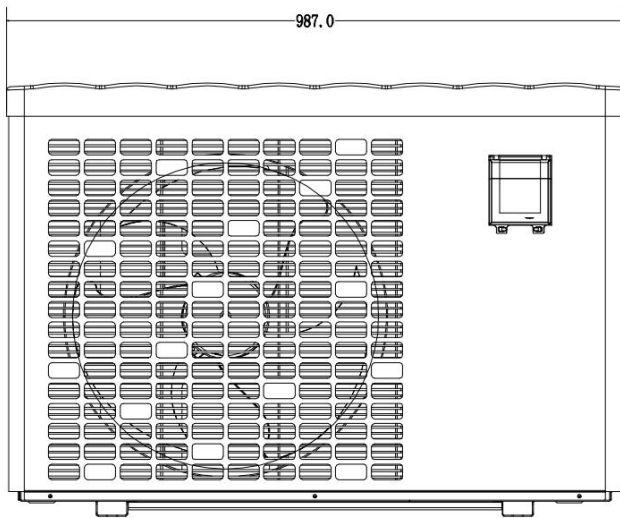


## 2 Dimensión (mm)

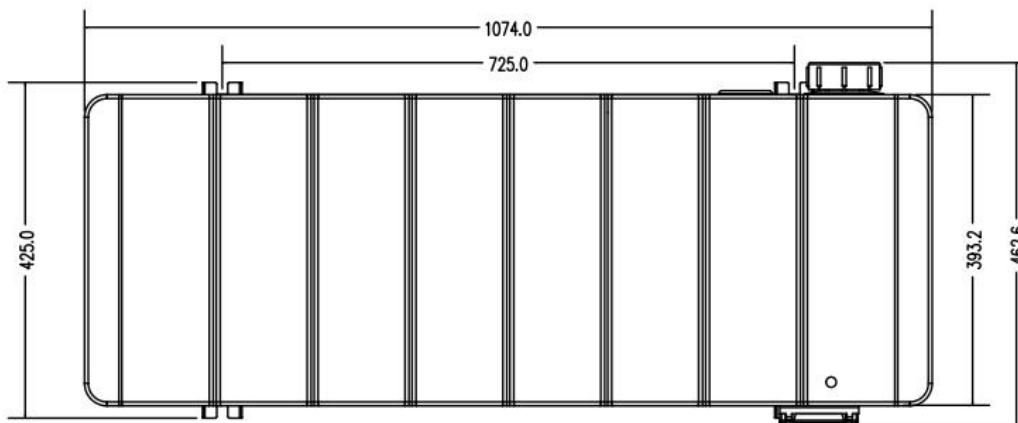
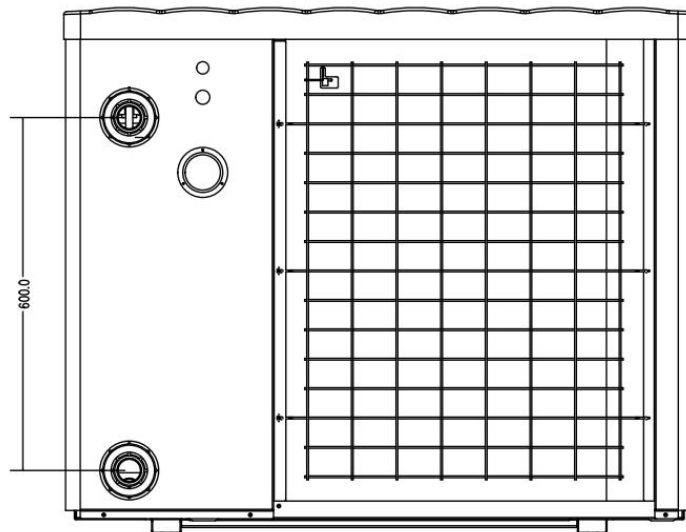
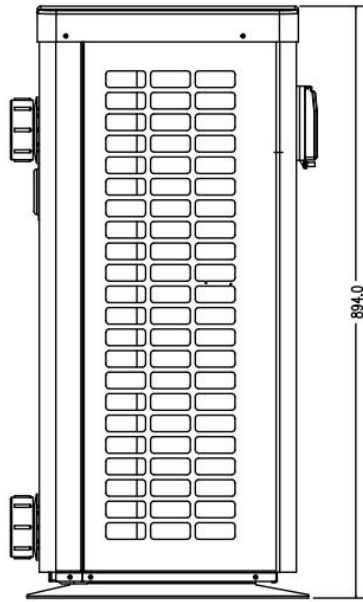
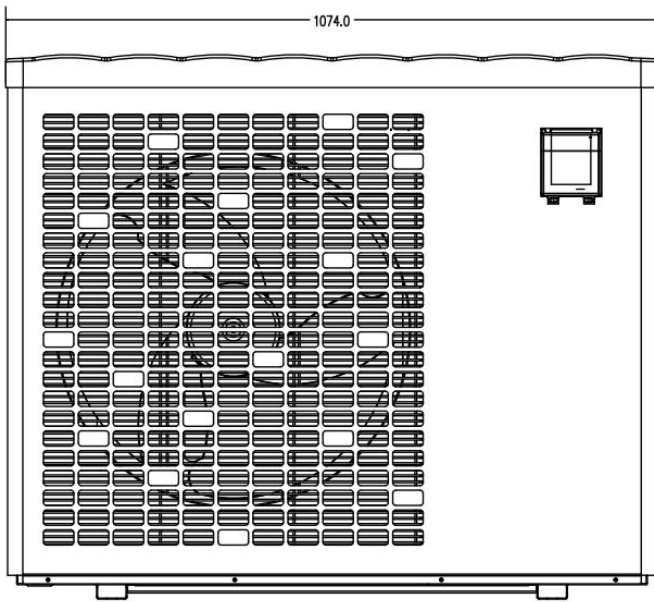
Model:VSN-10



Model: VSN-12 & VSN-15 & VSN-17



Model:VSN-21



### 3. Instalación y conexión

#### 3.1 Notas

La fábrica sólo suministra la bomba de calor. Todos los demás componentes, incluido un bypass si es necesario, deben ser proporcionados por el usuario o el instalador.

**Atención:**

Observe las siguientes reglas al instalar la bomba de calor:

1. Cualquier adición de productos químicos debe realizarse en la tubería ubicada aguas abajo de la bomba de calor.
2. Instale una derivación si el flujo de agua de la bomba de la piscina es más de un 20% mayor que el flujo permitido a través del intercambiador de calor de la bomba de calor.
3. Coloque siempre la bomba de calor sobre una base sólida y utilice los soportes de goma incluidos para evitar vibraciones y ruidos.

Mantenga siempre la bomba de calor en posición vertical. Si la unidad se mantuvo en ángulo, espere al menos 24 horas antes de encender la bomba de calor.

#### 3.2 Ubicación de la bomba de calor

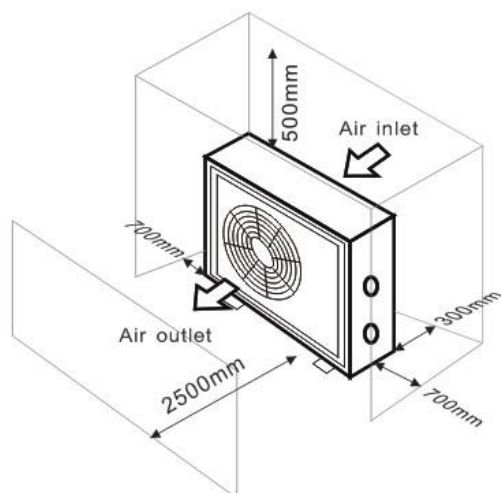
La unidad funcionará correctamente en cualquier lugar siempre que los siguientes tres elementos estén presentes:

- 1. Aire fresco – 2. Electricidad – 3. Filtros para piscinas**

La unidad se puede instalar prácticamente en cualquier lugar al aire libre, siempre y cuando se mantengan las distancias mínimas especificadas a otros objetos (vea el dibujo de abajo). Por favor, consulte a su instalador para la instalación en una piscina cubierta. La instalación en un lugar ventoso no presenta ningún problema, a diferencia de un calentador de gas.

**ATENCIÓN:** Nunca instale la unidad en una habitación cerrada con un volumen de aire limitado en el que se volverá a utilizar el aire expulsado de la unidad, o cerca de arbustos que podrían bloquear la entrada de aire. Tales ubicaciones perjudican el suministro continuo de aire fresco, lo que implicará una reducción de la eficiencia y, posiblemente, reducción de la producción de calentamiento.

Ver el dibujo de abajo para las dimensiones mínimas.

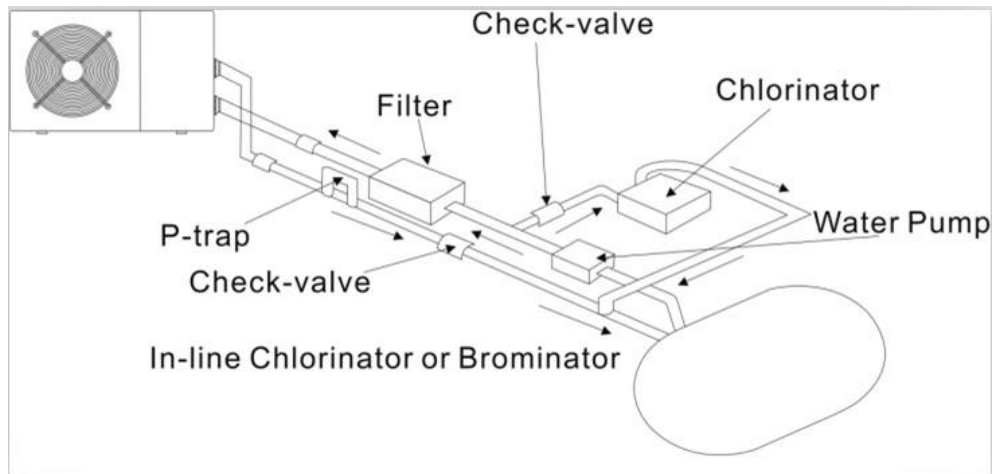


### 3.3 Distancia de su piscina

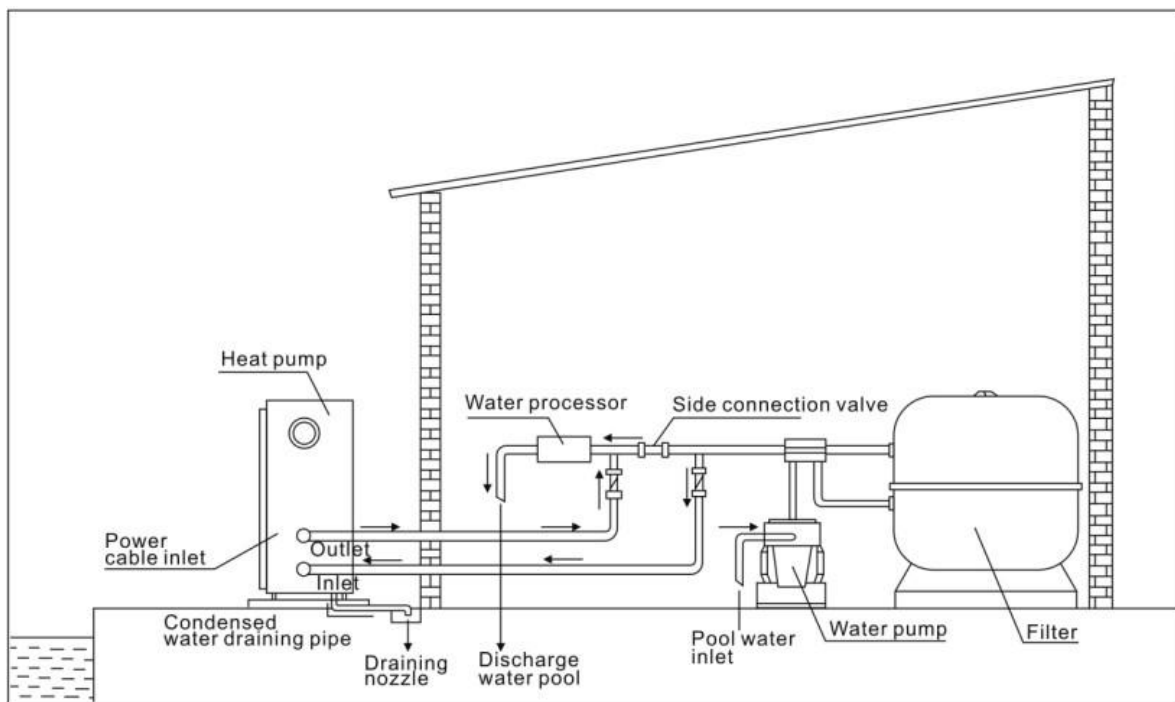
La bomba de calor se instala normalmente dentro de un área perimetral que se extiende a 7,5 m de la piscina. Cuanto mayor sea la distancia de la piscina, mayor será la pérdida de calor en las tuberías. Como las tuberías son en su mayoría subterráneas, la pérdida de calor es baja para distancias de hasta 30 m (15 m desde y hacia la bomba; 30 m en total) a menos que el suelo esté húmedo o el nivel del agua subterránea sea alto. Una estimación aproximada de la pérdida de calor por 30 m es de 0,6 kWh (2000 BTU) por cada 5 ° C de diferencia entre la temperatura del agua de la piscina y la temperatura del suelo que rodea la tubería. Esto aumenta el tiempo de funcionamiento entre un 3% y un 5%.

### 3.4 Comprobar la válvula de la instalación

Nota: Si se utiliza un equipo de dosificación automática para el cloro y la acidez (pH), es esencial proteger la bomba de calor contra concentraciones químicas excesivamente altas que puedan corroer el intercambiador de calor. Por esta razón, un equipo de este tipo siempre debe instalarse en la tubería aguas abajo de la bomba de calor, y se recomienda instalar una válvula de retención para evitar el flujo inverso en la ausencia de circulación del agua. El daño a la bomba de calor causado por el incumplimiento de esta instrucción no está cubierto. por la garantía.

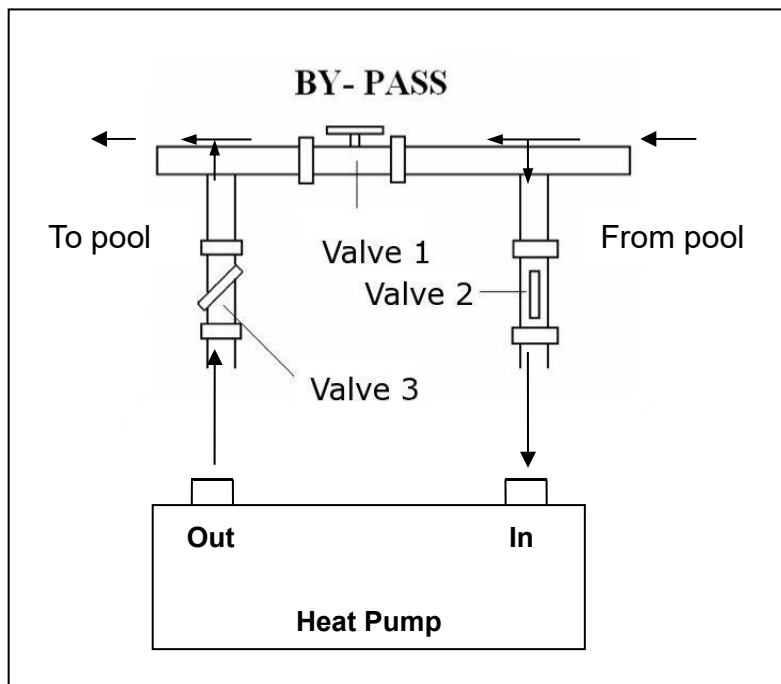


### 3.5 Disposición típica



**Nota: esta disposición es solo un ejemplo ilustrativo.**

### 3.6 Ajustar el bypass



Utilice el siguiente procedimiento para ajustar la derivación:

1. Válvula 1 completamente abierta. Válvula 2 y válvula 3 cerradas.
2. Abra lentamente la válvula 2 y la válvula 3 a la mitad, luego cierre la válvula 1 lentamente para aumentar el flujo de agua hacia la válvula 2 y la válvula 3.
3. Si muestra "ON" o "EE3" en la pantalla, significa que el flujo de agua a la bomba de calor no es suficiente, entonces necesita ajustar las válvulas para aumentar el flujo de agua a través de la bomba de calor.

Cómo obtener el flujo de agua óptimo:

Encienda la bomba de calor en función de calefacción, primero cierre el by-pass y luego ábralo lentamente para encender la bomba de calor (la máquina no puede comenzar a funcionar cuando el flujo de agua es insuficiente).

Continúe ajustando la derivación, mientras tanto para verificar la temperatura del agua de entrada. & Temperatura del agua de salida, será óptima cuando la diferencia sea de alrededor de 2 grados.

### 3.7 Conexión eléctrica

**Nota:** Aunque la bomba de calor está aislada eléctricamente del resto del sistema de la piscina, esto solo evita el flujo de corriente eléctrica hacia o desde el agua de la piscina. Aún se requiere conexión a tierra para protección contra cortocircuitos dentro de la unidad. Siempre proporcione una buena conexión a tierra.

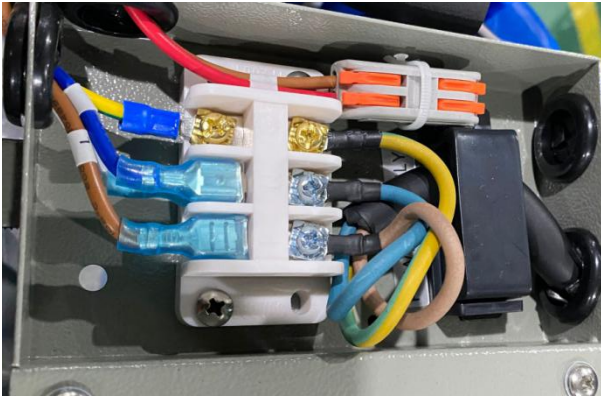
**Advertencia:** Antes de cualquier trabajo en el interior del aparato, debe cortar el suministro eléctrico del aparato, ya que existe el riesgo de descarga eléctrica que puede causar daños materiales, lesiones graves o incluso la muerte.

- Los terminales apretados incorrectamente pueden hacer que la caja de terminales se caliente, lo que puede invalidar la garantía.
  - Solo un técnico calificado y experimentado está autorizado para realizar trabajos de cableado dentro del aparato o para reemplazar el cable de alimentación.
- Antes de conectar la unidad, verifique que la tensión de alimentación coincida con la tensión de funcionamiento de la bomba de calor.

Se recomienda conectar la bomba de calor a un circuito con fusible propio o disyuntor (tipo lento; curva D) y utilizar cableado adecuado.

Conecte los cables eléctricos al bloque de terminales marcado "POWER SUPPLY".

Un segundo bloque de terminales marcado "BOMBA DE AGUA" se encuentra junto al primero. El interruptor de la bomba de filtrado (12V) se puede conectar al segundo bloque de terminales aquí. Esto permite que el funcionamiento de la bomba de filtrado sea controlado por la bomba de calor o el contacto extra seco.



### 3.8 Operación inicial

**Nota:** Para calentar el agua de la piscina (o jacuzzi), la bomba de filtrado debe estar en funcionamiento para que el agua circule a través de la bomba de calor. La bomba de calor no se pondrá en marcha si el agua no circula.

Una vez realizadas y comprobadas todas las conexiones, lleve a cabo el siguiente procedimiento:

1. Encienda la bomba de filtrado. Compruebe si hay fugas y verifique que el agua fluya desde y hacia la piscina.
2. Conecte la energía a la bomba de calor y presione el botón de encendido / apagado en el panel de control electrónico. La unidad se pondrá en marcha después de que expire el tiempo de espera .
3. Después de unos minutos, compruebe si el aire que sale de la unidad está más frío.
4. Cuando apague la bomba de filtro, la unidad también debe apagarse automáticamente, si no, ajuste el interruptor de flujo.

Dependiendo de la temperatura inicial del agua de la piscina y la temperatura del aire, pueden pasar varios días calentar el agua a la temperatura deseada. Una buena cubierta de piscina puede reducir drásticamente el tiempo requerido.

#### **Interruptor de flujo de agua:**

Está equipado con un interruptor de flujo para proteger la unidad de HP funcionando con un caudal de agua adecuado. Se encenderá cuando la bomba de la piscina funcione y se apagará cuando la bomba se apague.

**Tiempo de retardo** - La bomba de calor tiene un retardo de arranque incorporado de 3 minutos para proteger los circuitos y evitar un desgaste excesivo de los contactos. La unidad se reiniciará automáticamente después de que expire este tiempo de espera. Incluso una breve interrupción del suministro eléctrico activará este retraso y evitará que la unidad se reinicie inmediatamente. Las interrupciones de energía adicionales durante este período de retraso no afectan la duración de 3 minutos del retraso.

### 3.9 Condensación

El aire aspirado a la bomba de calor se enfría fuertemente mediante el funcionamiento de la bomba de calor para calentar el agua de la piscina, lo que puede provocar condensación en las aletas del evaporador. La cantidad de condensación puede llegar a varios litros por hora con una humedad relativa alta. Esto a veces se considera erróneamente como una fuga de agua.

### 3.10 Modos de funcionamiento para un uso óptimo

- POWERFUL: Se usa principalmente al comienzo de la temporada porque este modo permite un aumento de temperatura muy rápido
- SMART: La bomba de calor ha completado su tarea principal, en este modo; la bomba de calor está en condiciones de mantener el agua de la piscina de una manera energéticamente eficiente. Al ajustar automáticamente la velocidad del compresor y el ventilador, la bomba de calor ofrece un mejor retorno.
- SILENT: En los meses de verano, cuando la producción de calor es mínima, la bomba de calor en este modo es aún más rentable. Beneficio agregado; cuando la bomba de calor calienta. Va con una carga de ruido mínima.

## 4. Accesorios


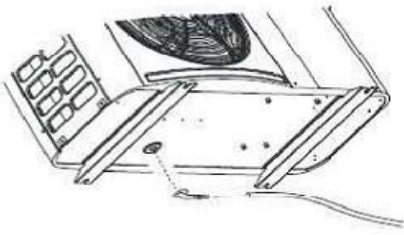


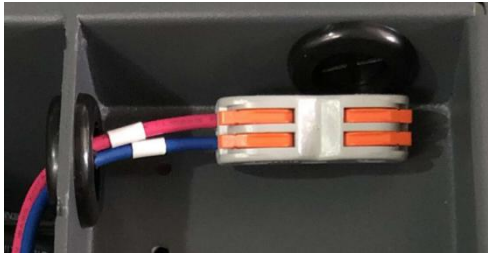
### 4.1 lista de los accesorios

		
Base antivibraciones, 4 pcs	Pipeta de desagüe, 2 pcs	Caja estanca, 1 pc
		
Cubierta de invierno, 1 pc	Tubos de drenaje, 2 piezas	Cable de señal 10M, 1 pc

### 4. 2 Accesorios de instalación

	<p>Bases antivibratorias</p> <ol style="list-style-type: none"><li>1. Sacar 4 bases antivibratorias</li><li>2. Póngalos uno por uno en la parte inferior de la máquina.</li></ol>
---	---



		<p><b>Conexión de la pipeta de desagüe</b></p> <ol style="list-style-type: none"> <li>1. Instale la pipeta de desagüe debajo del panel inferior</li> <li>2. Conecte una tubería para drenar el agua.</li> </ol> <p>Nota: Levante la bomba de calor para instalar la pipeta. Nunca vuelque la bomba de calor, podría dañar el compresor.</p>
	<p><b>Entrada y salida de agua</b></p> <ol style="list-style-type: none"> <li>1. Instale las dos juntas como muestra la imagen</li> <li>2. Enrosquelas en las tomas de agua.</li> </ol> <p>Juntas de entrada y salida</p>	
	<p><b>Cableado de cables</b></p> <ol style="list-style-type: none"> <li>1. Abra la tapa de la caja eléctrica.</li> <li>2. Fije el cable de alimentación en las juntas L N E</li> </ol>	
	<p><b>Cableado de la bomba de agua (contacto seco)</b></p> <ol style="list-style-type: none"> <li>1. Abra la tapa de la caja eléctrica.</li> <li>2. Con los conectores 1 y 2 puedes pilotar la filtración de agua a través del temporizador de la filtración (contacto seco)</li> </ol>	

### 4.3 Connection to the filtration pump

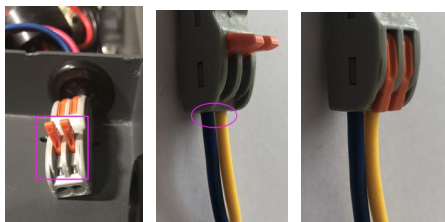


Photo 1    Photo 2    Photo 3

- Open the button upwards as (Photo 1)
- Attach the dry contact wiring through the two holes as (Photo 2 & Photo 4)
- Press the button and tighten the wiring as (Photo 3)

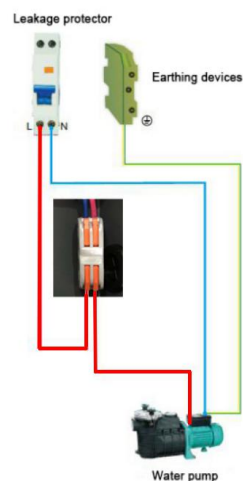
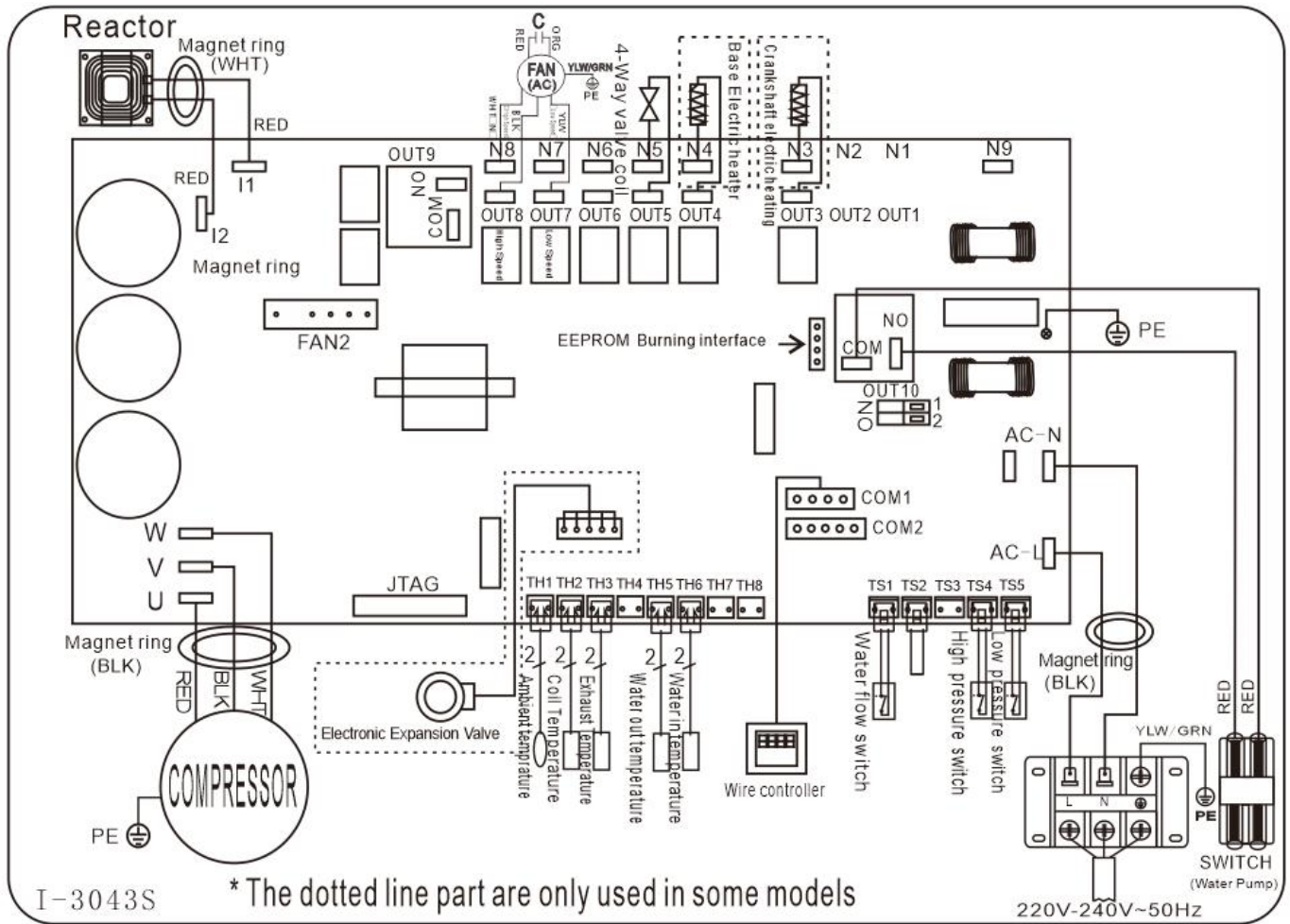


Photo 4

## 5. Cableado Eléctrico

### 5.1 Diagrama de cableado de la bomba de calor de piscina

VSN-10 / VSN-12 / VSN-15 / VSN-17 / VSN-21



#### NOTA:

(1) El diagrama de cableado eléctrico anterior solo para su referencia, envíe la máquina sujeta al diagrama de cableado.

(2) La bomba de calor de la piscina debe estar bien conectada al cable de tierra, aunque el intercambiador de calor de la unidad está aislado eléctricamente del resto de la unidad. Aún se requiere la conexión a tierra de la unidad para protegerlo contra cortocircuitos dentro de la unidad. .

(3) Se recomienda que la bomba de filtración de la piscina y la bomba de calor estén cableadas de forma independiente.

Conectar la bomba de su piscina a la bomba de calor resultará en que su filtración se apague una vez que el agua de la piscina

ha alcanzado la temperatura.

Conecte la bomba de la piscina a través de la bomba de calor solo si tiene una bomba de piscina para calefacción que sea independiente del sistema de filtración de su piscina

**Desconectar:** Un medio de desconexión (disyuntor, interruptor con o sin fusible) debe estar ubicado a la vista y fácilmente accesible desde la unidad. Esta es una práctica común en bombas de calor comerciales y residenciales. Evita la activación remota de equipos desatendidos y permite apagar la unidad mientras se realiza el mantenimiento.

## 5.2 Instalación de la pantalla remota

Photo(1)



Photo(2)



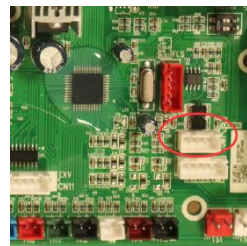
Photo(3)



Photo(4)



Photo(5)



- El lado con el enchufe se conecta con el panel de control (foto1)
- El otro lado del cable de señal. (foto2)
- Abra la tapa del cuadro de conexión eléctrica y pase a través de ella el cable de la pantalla remota. (foto3,4)
- Inserte el cableado en la posición designada (código: COM 1 o COM-L) en la placa PC. (foto5)


## 6. Funcionamiento del controlador


### 6.1 Los botones del controlador de cable LED





Cuando la bomba de calor se conecta a la corriente, la pantalla LED muestra un código de 3 segundos que indica el modelo de la bomba de calor.

#### 6.1.1 Botón (icon)

Presione  para arrancar la bomba de calor, la pantalla de LED muestra la temperatura del agua deseada durante 5 segundos, luego muestra la temperatura del agua de entrada y el modo de operación.

Pulse  para detener la bomba de calor y muestre "OFF"

Aviso: Durante la comprobación y ajuste del parámetro, pulse la tecla  para salir rápidamente y guardar la configuración actual.


Pulse  de nuevo para encender / apagar la máquina.


### 6.1.2 Botón



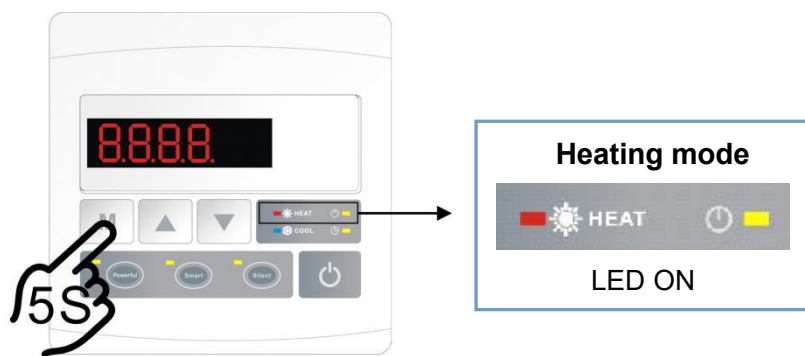
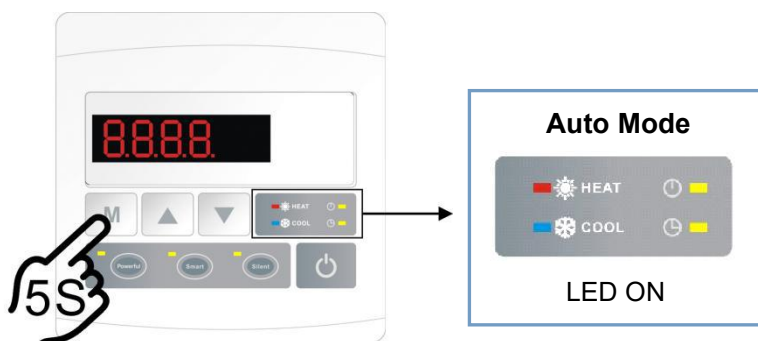
#### Auto Mode:

Hay 3 modos para la unidad, solo calefacción, modo automático (calefacción y enfriamiento), solo enfriamiento.

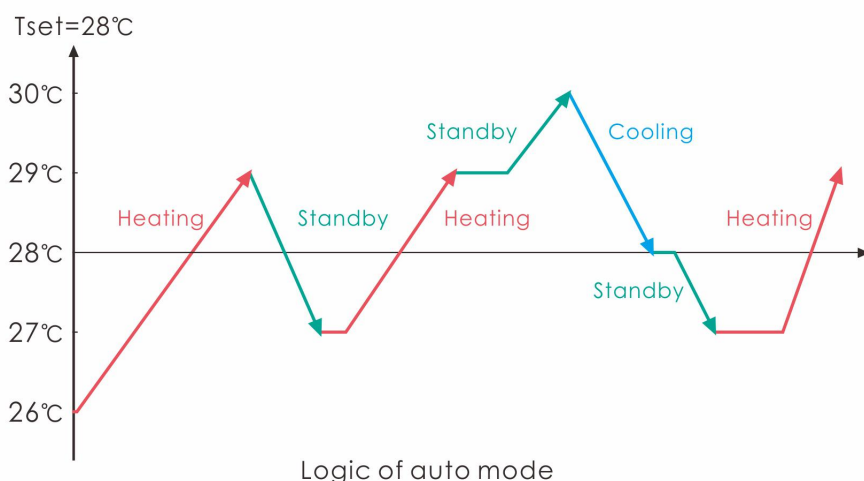
Puede cambiar el modo solo calefacción y el modo automático presionando  durante 5 segundos, sin importar si la unidad está encendida o apagada.

Presione  nuevamente por 5 segundos para salir del modo automático y cambiar al modo de calefacción (predeterminado: modo inteligente)

**Nota: En el modo Automático, es inútil establecer el parámetro P1.**





## Lógica de operación del modo automatic





### 6.1.3 Botón y

Bloquear / desbloquear la pantalla:

Mantenga  y  durante 5 segundos para bloquear / desbloquear la pantalla.

Ajuste de la temperatura del agua:

Pulse  o  para ajustar la temperatura del agua directamente.

Comprobación de parámetros:

Pulse  primero, luego pulse  para comprobar el parámetro User de d0 a d11

Código	Condición	Alcance	Observación
d0	IPM temperatura del molde	0-120°C	Valor de prueba real
d1	Temp. De agua de entrada T1	-9°C ~ 99°C	Valor de prueba real
d2	Temperatura del agua de salida T2	-9°C ~ 99°C	Valor de prueba real
d3	Temperatura ambiente. T5	-30°C ~ 70°C	Valor de prueba real
d4	Código de limitación de frecuencia	0,1,2,4,8,16	Valor de prueba real
d5	Temperatura Evaporador T3	-30°C ~ 70°C	Valor de prueba real
d6	Temperatura descarga de gas T6	0°C ~ C5°C (125°C)	Valor de prueba real
d7	Paso de EEV	0 ~ 99	N*5

d8	Frecuencia de funcionamiento del compresor	0~99Hz	Valor de prueba real
d9	Corriente del compresor	0~30A	Valor de prueba real
d10	Velocidad actual del ventilador	0-1200 (rpm)	Valor de prueba real
d11	Código de error de la última vez	Todo el código de error	

Observación: d4: código de limitación de frecuencia,

0: sin límite de frecuencia;

1: límite de temperatura de la tubería de la bobina;

2: límite de frecuencia de sobrecalentamiento o sobreenfriamiento;

4: límite de frecuencia actual de la unidad;



8: límite de frecuencia de tensión de accionamiento;

16: límite de frecuencia de alta temperatura de conducción

Pulse  primero, luego pulse  para comprobar / ajustar el parámetro de usuario de P1 a P7

Código	Nombre	Alcance	Defecto	Observación
P0	Desescarche obligatorio	0-1	0	0: Operación normal predeterminada 1: Descongelamiento obligatorio.
P1	Modo de trabajo	0-1	1	1 Modo de calefacción, 0 modo de enfriamiento
P2	Temporizador activado / desactivado	0-1	0	1 El temporizador encendido / apagado está en función, 0 El temporizador encendido / apagado está fuera de funcionamiento (El ajuste de P5 y P6 no funcionará)
P3	Bomba de agua	0-1	0	1 Siempre en marcha, 0 Depende del funcionamiento del compresor
P4	Hora actual	HH:MM	0:00	<u>0-23:0-59</u>
P5	Temporizador en	HH:MM	0:00	<u>0-23:0-59</u>
P6	Temporizador desactivado	HH:MM	0:00	<u>0-23:0-59</u>
P7	Temp. De agua de entrada corrección	-9~9	0	Ajuste predeterminado: 0

#### 6.1.4 Función de restablecimiento del sistema

Presione  y  en 10s, el sistema se restablecerá y mostrará "0000" en el controlador.



#### 6.1.5

Símbolo de calentamiento, la luz se encenderá cuando esté en funcionamiento.

Cuando se descongela, la luz parpadeará.

### 6.1.6

Símbolo de enfriamiento, la luz se encenderá cuando esté en funcionamiento.

Nota: cuando el parámetro P1 está en la verificación / ajuste,  y  parpadeará al mismo tiempo.

### 6.1.7

Símbolo de parada automática, la luz se encenderá cuando esté en funcionamiento.

### 6.1.8

Símbolo de inicio automático, la luz se encenderá cuando esté en funcionamiento.

### 6.1.9

Pulse este botón, la luz parpadeará y la bomba de calor funcionará en 'Salida completa' solamente.

### 6.1.10

Mientras este en Smart, la bomba de calor sólo funcionará en 'Salida media' y 'Salida completa'

En 'Salida media', la luz de Smart parpadeará.

En 'Salida completa', la lámpara de Smart está encendida, la lámpara de Powerful será flash.

### 6.1.11

Mientras este en Silent, la bomba de calor solo funcionará en "salida media" y "salida pequeña"

En 'Salida pequeña', la luz de Silencio parpadeará.

En 'Salida media', la lámpara de Silent está encendida, la lámpara de Smart será flash.

## 6.2 Lógica para calefacción

Estado de trabajo		Modo de trabajo	Agua en temperatura-T1	Por ejemplo, Agua en temperatura-T1	Bomba de calor nivel de trabajo
1	Puesta en marcha de bomba de calor	Cuando seleccionas el "modo Smart"	$T1 < Tset-1$	$T1 < 27^{\circ}C$	Modo Powerful- frecuencia F9
2			$Tset-1 \cong T1 < Tset$	$27^{\circ}C \cong T1 < 28^{\circ}C$	Frecuencia: F9-F8-F7, ..., - F2
3			$Tset \cong T1 < Tset+ 1$	$28^{\circ}C \cong T1 < 29^{\circ}C$	Modo Silent- frecuencia F2
4			$T1 \cong Tset+1$	$T1 \cong 29^{\circ}C$	Bomba de calor estará en modo de espera y dejará de funcionar hasta que la temperatura del agua disminuya a $28^{\circ}C$ .



5		Al seleccionar el "Modo Silent"	$T1 < T_{set}$	$T1 < 28^{\circ}\text{C}$	Modo Smart -Frecuencia F5.	
6			$T_{set} \cong T1 < T_{set}+1$	$28^{\circ}\text{C} \cong T1 < 29^{\circ}\text{C}$	Modo Silent-frecuencia F2 / F1.	
7			$T1 \cong T_{set}+1$	$T1 \cong 29^{\circ}\text{C}$	Bomba de calor estará en modo de espera y dejará de funcionar hasta que la temperatura del agua caiga a menos de $28^{\circ}\text{C}$ .	
8		Cuando seleccionas el "Modo Powerful"	$T1 < T_{set}+1$	$T1 < 29^{\circ}\text{C}$	Modo Powerfu-frecuencia F10/F9	
9			$T1 \cong T_{set}+1$	$T1 \cong 29^{\circ}\text{C}$	Bomba de calor estará en modo de espera y dejará de funcionar hasta que la temperatura del agua disminuya a $28^{\circ}\text{C}$ .	
10		Reiniciar para calentar el agua en estado de espera	Cuando Bomba de calor está trabajando en "Modo Smart"	$T1 \cong T_{set}$	$T1 \cong 28^{\circ}\text{C}$	Bomba de calor
11				$T_{set} > T1 \cong T_{set}-1$	$28^{\circ}\text{C} > T1 \cong 27^{\circ}\text{C}$	Silent- frecuencia F2
12				$T_{set}-1 > T1 \cong T_{set}-2$	$27^{\circ}\text{C} > T1 \cong 26^{\circ}\text{C}$	Frecuencia: F2-F3-F4, ..., - F9
13				$< T_{set}-2$	$< 26^{\circ}\text{C}$	Powerful-frecuencia F9
14	Cuando Bomba de calor está trabajando en "Modo Silent"		$\cong T_{set}$	$\cong 28^{\circ}\text{C}$	Bomba de calor	
15			$T_{set} > T1 \cong T_{set}-1$	$28^{\circ}\text{C} > T1 \cong 27^{\circ}\text{C}$	Modo Silent-frecuencia F2 / F1	
16			$T1 < T_{set}-1$	$T1 < 27^{\circ}\text{C}$	Smart-frecuencia F5	
17	Cuando Bomba de calor está trabajando en "Modo Powerful"	$T1 < T_{set}-1$	$T1 < 27^{\circ}\text{C}$	Powerful -frecuencia F10 / F9		

### 6.3 Lógica de operación de enfriamiento

Estado de trabajo		Modo de trabajo	Agua en temperatura-T1	Por ejemplo, Agua en temperatura-T1	Bomba de calor nivel de trabajo
1	Puesta en marcha de bomba de calor	Cuando seleccionas el "Modo Smart"	$T1 \cong T_{set}-1$	$T1 \cong 27^{\circ}\text{C}$	Bomba de calor
2			$T_{set}-1 < T1 \cong T_{set}$	$27^{\circ}\text{C} < T1 \cong 28^{\circ}\text{C}$	Modo Silent-frecuencia F2
3			$T_{set} < T1 \cong T_{set}+1$	$28 < T1 \cong 29^{\circ}\text{C}$	Frecuencia: F9 -F8-F7,...,- F2



4			$T1 \geq Tset+1$	$T1 \geq 29^{\circ}\text{C}$	Modo Powerful-F9
5		Al seleccionar el "Modo Silent"	$T1 \leq Tset-1$	$\leq 27^{\circ}\text{C}$	Bomba de calor
6	$Tset-1 < T1 \leq Tset$		$27^{\circ}\text{C} < T1 \leq 28^{\circ}\text{C}$	Modo Silent- frecuencia F2/F1	
7	$T1 > Tset$		$T1 > 28^{\circ}\text{C}$	Modo Smart -frecuencia F5	
8	Quando seleccionas el "Modo Powerful"		$T1 > Tset-1$	$T1 > 27^{\circ}\text{C}$	Modo Powerful-frecuencia F10/F9
9			$T1 \leq Tset-1$	$T1 \leq 27^{\circ}\text{C}$	Bomba de calor
10	Reiniciar para enfriar el agua en estado de espera	Smart	$T1 \leq Tset-1$	$T1 \leq 27^{\circ}\text{C}$	Bomba de calor
11			$Tset \leq T1 < Tset+1$	$28 \leq T1 < 29^{\circ}\text{C}$	Modo Silent- frecuencia F2
12			$Tset+1 \leq T1 < Tset+2$	$29 \leq T1 < 30^{\circ}\text{C}$	Frecuencia: F2 -F3-F4,...,- F9
13			$T1 \geq Tset+2$	$T1 \geq 30^{\circ}\text{C}$	Modo Powerful -frecuencia F9
14		Silent	$Tset < T1 \leq Tset+1$	$28 < T1 \leq 29^{\circ}\text{C}$	Modo Silent-frecuencia F2/F1
15			$T1 > Tset+1$	$T1 > 29^{\circ}\text{C}$	Modo Smart-frecuencia F5
16		Powerful	$T1 > Tset+1$	$T1 > 29^{\circ}\text{C}$	Modo Powerful-frecuencia F10/F9
17	$T1 \leq Tset-1$		$T1 \leq 27^{\circ}\text{C}$	Bomba de calor	

#### 6.4 Prioridad de calefacción (ver el párrafo 6.4), opción de conexión

**Opción 1: La bomba de agua está relacionada con el funcionamiento de la bomba de calor para iniciar o detener.**

La bomba de agua arranca 60 s antes que el compresor, la bomba de agua arranca 30s y luego el interruptor de flujo de agua detecta caudal. Cuando la bomba de calor entra en modo de espera, el compresor se detendrá primero y la bomba de filtración se detendrá 5 minutos más tarde.

La bomba de filtración volverá a funcionar durante 5 minutos y luego se detendrá cuando el tiempo de espera sea superior a 1 horas.

	Condición	Ejemplo	Lógica de trabajo bomba de agua
Modo de calentamiento	$P3=0,$ $T1 \geq T_{set} - 0.5^\circ\text{C},$ dura 30 minutos	$P3=0,$ $T1 \geq 27.5^\circ\text{C},$ dura 30 minutos	La bomba de agua entrará en el modo de espera durante 1 hora y no arrancará excepto que apague la fuente de alimentación y reinicie. La bomba de calor se reiniciará 5 minutos después de que la bomba de agua salga del modo de espera para detectar nuevamente la temperatura del agua T1.
Modo de enfriamiento	$P3=0,$ $T1 \leq T_{set} + 0.5^\circ\text{C},$ dura 30 minutos	$P3=0,$ $T1 \leq 28.5^\circ\text{C},$ dura 30 minutos	La bomba de agua entrará en el modo de espera durante 1 hora y no arrancará excepto que apague la fuente de alimentación y reinicie. La bomba de calor se reiniciará 5 minutos después de que la bomba de agua salga del modo de espera para detectar nuevamente la temperatura del agua T1.

### Opción 2 La bomba de filtración está siempre encendida (P3 = 1)

Bajo la condición  $P3 = 1$ , cuando  $T1 \geq T_{set} + 1^\circ\text{C}$  ( $T1 \geq 29^\circ\text{C}$ ) dura 3 minutos, la bomba de calor estará en espera, mientras que la bomba de filtración está siempre encendida.

Si la bomba de calor se apaga manualmente o está TIMER OFF, la bomba de filtración se detendrá en consecuencia.

En la opción 2, con activación del temporizador;  $P2 = 1$  para iniciar y detener la bomba de filtración de acuerdo con la programación de P4 (tiempo), P5 (temporizador activado) y P6 (temporizador desactivado)

#### Condición para el arranque de la bomba de calor, temporizador activado;

Cuando el temporizador alcanza el tiempo establecido de TEMPORIZADOR ENCENDIDO, la bomba de filtración arrancará y después de 5 minutos comenzará la bomba de calor. La bomba de calor permanece parada si la temperatura del agua es  $\geq T_{set} + 1^\circ\text{C}$  ( $T1 \geq 29^\circ\text{C}$ ), antes de que el TEMPORIZADOR APAGADO, la filtración aún esté activada.

#### Condición para detener la bomba de calor, temporizador OFF activo;

Cuando el temporizador alcanza el tiempo establecido del TEMPORIZADOR APAGADO, la bomba de calor se detendrá y después de 5 minutos se detiene la bomba de filtración.

#### NOTA :

$T_{set}$  = temperatura establecida del agua

Por ejemplo:  $T_{set} = 28^\circ\text{C}$ . Temperatura establecida del agua en la bomba de calor de su piscina.

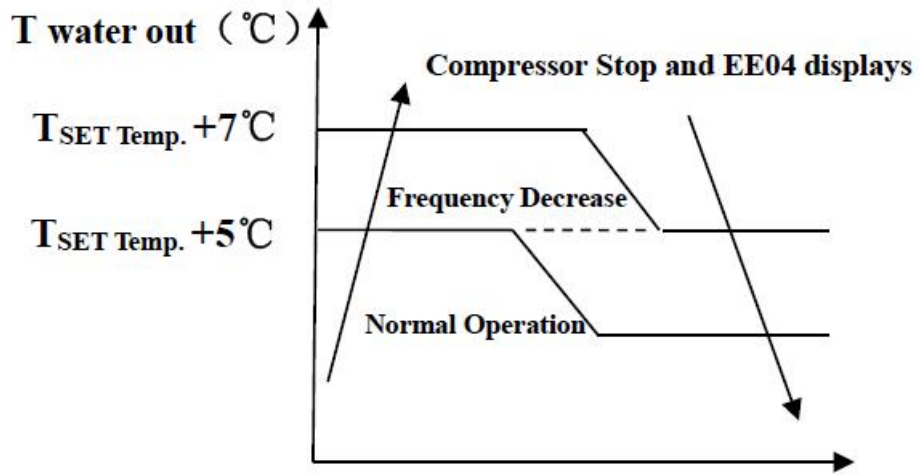
$T_{set} - 0.5$  = menos  $0.5^\circ\text{C}$  que la temperatura establecida;  $T_{set} - 0.5 = 28 - 0.5 = 27.5^\circ\text{C}$

$T_{set} + 0.5$  = más  $0.5^\circ\text{C}$  que la temperatura establecida;  $T_{set} + 0.5 = 28 + 0.5 = 28.5^\circ\text{C}$

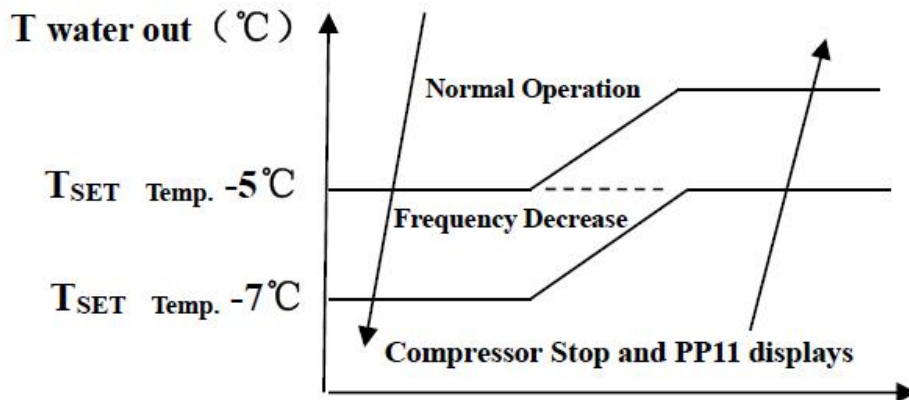
## 6.5 Protección de la unidad.

### Observaciones:

1. En el modo de calefacción, si la temperatura de salida del agua es más alta que la temperatura establecida, en más de  $7^\circ\text{C}$ , el controlador LED muestra EE04 para la protección del sobrecalentamiento del agua.
2. En el modo de enfriamiento, si la temperatura de salida del agua es más baja que la temperatura establecida, en más de  $7^\circ\text{C}$ , el controlador LED muestra PP11 para la protección de sobrecalentamiento del agua.



Protección contra sobrecalentamiento de agua EE04



Protección de sobreenfriamiento de agua PP11

Por ejemplo, como a continuación:

Modo	Temperatura salida del agua	Temperatura Set Point	Condición	Mal funcionamiento
Modo de calentamiento	36°C	29°C	$T_{out} - T_{set} \cong 7^{\circ}\text{C}$	EE04 Protección contra sobrecalentamiento para la temperatura del agua (d2-TH5)
Modo de enfriamiento	23°C	30°C	$T_{set} - T_{out} \cong 7^{\circ}\text{C}$	PP11 Protección demasiado baja para la temperatura del agua (d2-TH5)

## 7.Solución de Problemas

### 7.1 Visualización del código de error en el controlador LED

Mal funcionamiento	Código de error	Razón	Solución
Fallo en el sensor de temperatura de entrada del agua d1-TH6	PP01	1. El sensor en circuito abierto o cortocircuito 2. El cableado del sensor está suelto	1. Verifique o cambie el sensor 2. Reparar el cableado de los sensores
Fallo en el sensor de temperatura de salida del agua d2-TH5	PP02	1.El sensor en circuito abierto o cortocircuito 2. El cableado del sensor está suelto	1. Verifique o cambie el sensor 2. Reparar el cableado de los sensores
Fallo en la sonda del evaporador d5-TH2	PP03	1. El sensor en circuito abierto o cortocircuito 2. El cableado del sensor está suelto	1. Verifique o cambie el sensor 2. Reparar el cableado de los sensores
Falla del sensor de temperatura ambiental d3-TH1	PP05	1. El sensor en circuito abierto o cortocircuito 2. El cableado del sensor está suelto	1. Verifique o cambie el sensor 2. Reparar el cableado de los sensores
Fallo del sensor de temperatura de descarga del compresor d6-TH3	PP06	1. El sensor en circuito abierto o cortocircuito 2. El cableado del sensor está suelto	1. Verifique o cambie el sensor 2. Reparar el cableado de los sensores
Protección antihielo en invierno	PP07	La temperatura ambiente o la temperatura de entrada del agua es demasiado baja	Protección normal
Protección de baja temperatura ambiente	PP08	1. Fuera del rango de funcionamiento por baja temperatura 2. Anormalidad del sensor	1. Dejar de usar, más allá del límite de temperatura 2. Cambie el sensor

<b>Mal funcionamiento</b>	<b>Código de error</b>	<b>Razón</b>	<b>Solución</b>
Fallo de alta presión TS4	EE01	<ol style="list-style-type: none"> <li>1. Minipresostato de alta presión en mal conectado o falla</li> <li>2. La temperatura ambiente es demasiado alta</li> <li>3. La temperatura del agua es demasiado alta</li> <li>4. El flujo de agua es demasiado bajo</li> </ol>	<ol style="list-style-type: none"> <li>1. Compruebe el cableado del minipresostato de alta presión o cambielo</li> <li>2. Revise el flujo de agua o la bomba de filtración</li> <li>3. Compruebe el motor del ventilador</li> <li>4. Revisar y reparar el sistema de filtración</li> </ol>
Fallo de baja presión TS5	EE02	<ol style="list-style-type: none"> <li>1. Minipresostato de baja presión mal conectado o falla</li> <li>2. EEV está bloqueada o el sistema de tuberías está atascado</li> <li>3. La velocidad del motor es anormal o el motor esta dañado</li> <li>4. Fuga de gas</li> </ol>	<ol style="list-style-type: none"> <li>1. Compruebe el cableado del Minipresostato de baja presión o cambielo</li> <li>2. Compruebe la EEV y el sistema de tuberías. Compruebe el motor.</li> <li>3. Mediante el manómetro de alta presión compruebe el valor de la presión</li> <li>4. Comprobar el sistema de refrigeración</li> </ol>
No hay flujo de agua o fallo del Minipresostato de flujo de agua TS1	EE03 Or" ON"	<ol style="list-style-type: none"> <li>1. El Minipresostato de flujo de agua está mal conectado</li> <li>2. No hay flujo de agua insuficiente</li> <li>3. Interruptor de flujo montado de mala manera.</li> </ol>	<ol style="list-style-type: none"> <li>1. Comprobar el cableado del Minipresostato de flujo de agua o cambiarlo.</li> <li>2. Compruebe la bomba de filtración o el circuito de agua</li> <li>3. Compruebe la posición del interruptor de flujo según la dirección del flujo de agua.</li> </ol>
Protección de temperatura del agua demasiado alta en modo calentar d2-TH5	EE04	<ol style="list-style-type: none"> <li>1. Bajo flujo de agua</li> <li>2. El Minipresostato de flujo de agua está atascado y el suministro de agua está cortado</li> <li>3. Sensor d2-TH5 es anormal</li> </ol>	<ol style="list-style-type: none"> <li>1. Compruebe el circuito de agua</li> <li>2. Compruebe la bomba de filtración o el Minipresostato de flujo de filtración</li> <li>3. Compruebe el sensor d2-TH5 o cambielo</li> </ol>
Temperatura de descarga del compresor demasiado alta d6-TH3	EE05	<ol style="list-style-type: none"> <li>1. Falta de gas</li> <li>2. Bajo flujo de agua</li> <li>3. Circuito frigorífico</li> <li>4. Fallo del sensor</li> </ol>	<ol style="list-style-type: none"> <li>1. Compruebe el manómetro de alta presión, si es demasiado bajo, llénelo con un poco de gas</li> <li>2. Compruebe el circuito frigorífico y la bomba de filtración</li> <li>3. Compruebe el sistema de tuberías si hubiera alguna obstrucción</li> <li>4. Cambiar sonda de descarga.</li> </ol>

<b>Mal funcionamiento</b>	<b>Código de error</b>	<b>Razón</b>	<b>Solución</b>
Fallo de controlador o fallo de comunicación	EE06	<ol style="list-style-type: none"> <li>1. La conexión no es buena o está dañado el cable.</li> <li>2. Controlador averiado.</li> </ol>	<ol style="list-style-type: none"> <li>1. Compruebe y vuelva a conectar el cable</li> <li>2. Cambiar por cable</li> <li>3. Apague el suministro eléctrico y reinicie la máquina</li> <li>4. Cambiar a nuevo controlador</li> </ol>
Protección de consumo del compresor	EE07	<ol style="list-style-type: none"> <li>1. La corriente del compresor es demasiado alta</li> <li>2. Error en la secuencia de la fase del compresor</li> <li>3. Acumulación de líquido y/o aceite en el compresor hacen que el consumo sea mayor.</li> <li>4. Compresor o placa de control dañada</li> <li>5. El flujo de agua es anormal fluctuaciones</li> </ol>	<ol style="list-style-type: none"> <li>1. Compruebe el compresor</li> <li>2. Compruebe el sistema frigorífico</li> <li>3. Compruebe si la potencia instalada es un rango normal.</li> <li>4. Compruebe la conexión de secuencia de fases</li> </ol>
Error de comunicación entre el controlador y la placa principal	EE08	<ol style="list-style-type: none"> <li>1. Poca señal de conexión o cable de señal dañado</li> <li>2. Mal funcionamiento del controlador</li> </ol>	<ol style="list-style-type: none"> <li>1. Compruebe y vuelva a conectar el cable de señal</li> <li>2. Cambiar el cable de señal</li> <li>3. Apague el suministro eléctrico y reinicie la máquina</li> <li>4. Cambiar el controlador</li> </ol>
Error de comunicación entre la placa principal y la placa del controlador	EE09	<ol style="list-style-type: none"> <li>1. Mala o cable de comunicación</li> <li>2. El cable está dañado</li> </ol>	<ol style="list-style-type: none"> <li>1. Compruebe la conexión del cable</li> <li>2. Cambiar el cable</li> </ol>
Protección VDC. Tensión demasiado alta	EE10	<ol style="list-style-type: none"> <li>1. La tensión de la línea es demasiado alta</li> <li>2. Placa dañada</li> </ol>	<ol style="list-style-type: none"> <li>1. Compruebe si la potencia está en el rango normal</li> <li>2. Cambie la placa</li> </ol>
Protección del módulo IPM	EE11	<ol style="list-style-type: none"> <li>1. Error de datos</li> <li>2. Conexión de fases del compresor incorrecta</li> <li>3. Acumulación de líquido en el compresor</li> <li>4. Mala disipación de calor del módulo de accionamiento o temperatura ambiente alta</li> <li>5. Compresor o placa dañado</li> </ol>	<ol style="list-style-type: none"> <li>1. Error en el programa, apagar el suministro de electricidad y reiniciar después de 3 minutos</li> <li>2. Verifique la conexión de la secuencia del compresor</li> <li>3. Verifique la presión del sistema con un manómetro</li> <li>4. Compruebe si la temperatura ambiente y del agua es demasiado alta</li> <li>5. Cambiar la placa</li> </ol>

<b>Mal funcionamiento</b>	<b>Código de error</b>	<b>Razón</b>	<b>Solución</b>
Protección de bajo voltaje de VDC	EE12	<ol style="list-style-type: none"> <li>1. La tensión de la línea es demasiado baja</li> <li>2. La placa está dañado.</li> </ol>	<ol style="list-style-type: none"> <li>1. Compruebe si la potencia está en el rango normal</li> <li>2. Cambiar la placa de control</li> </ol>
Protección de sobreintensidad	EE13	<ol style="list-style-type: none"> <li>1. La corriente del compresor es demasiado grande momentáneamente</li> <li>2. El flujo de agua es anormal</li> <li>3. Fluctuaciones de energía en un corto espacio de tiempo</li> <li>4. Inductor PFC incorrecto</li> </ol>	<ol style="list-style-type: none"> <li>1. Compruebe el compresor</li> <li>2. Compruebe el sistema frigorífico</li> <li>3. Compruebe si la potencia está en el rango normal</li> <li>4. Compruebe si se utiliza el inductor PFC correcto</li> </ol>
Error de salida del circuito de detección de temperatura del módulo IPM	EE14	<ol style="list-style-type: none"> <li>1. Salida anormal del circuito térmico del módulo IPM</li> <li>2. Motor del ventilador dañado o funcionamiento anormal.</li> <li>3. La hoja de ventilador está rota</li> </ol>	<ol style="list-style-type: none"> <li>1. Cambiar placa</li> <li>2. Compruebe si la velocidad del motor es demasiado baja o si el motor del ventilador está dañado, cambielo</li> <li>3. Cambiar la hoja de ventilador</li> </ol>
Temperatura del módulo IPM demasiado alta	EE15	<ol style="list-style-type: none"> <li>1. Excepción de salida del circuito térmico del módulo IPM</li> <li>2. Motor del ventilador dañado o funcionamiento anormal.</li> <li>3. La hoja de ventilador está rota</li> </ol>	<ol style="list-style-type: none"> <li>1. Cambiar placa</li> <li>2. Compruebe si la velocidad del motor del ventilador es demasiado baja o si el motor del ventilador está dañado, cambielo</li> <li>3. Cambiar otra hoja de ventilador</li> </ol>
Protección del módulo PFC	EE16	<ol style="list-style-type: none"> <li>1. Excepción de salida del módulo PFC</li> <li>2. Motor del ventilador dañado o funcionamiento anormal.</li> <li>3. La hoja de ventilador está rota</li> <li>4. Salto de voltaje de entrada, la potencia de entrada es anormal</li> </ol>	<ol style="list-style-type: none"> <li>1. Cambiar placa</li> <li>2. Compruebe si la velocidad del motor es demasiado baja o si el motor del ventilador está dañado, cambielo</li> <li>3. Cambiar la hoja del ventilador</li> <li>4. Comprobar la tensión de entrada</li> </ol>
Fallo motor del ventilador DC	EE17	<ol style="list-style-type: none"> <li>1. El motor DC está dañado</li> <li>2. Para la trifásica, verifique si el neutro está conectado</li> <li>3. El controlador está dañado</li> <li>4. La hoja del ventilador está atascada</li> </ol>	<ol style="list-style-type: none"> <li>1. Fallo del motor DC, sustituya por uno nuevo.</li> <li>2. Compruebe la conexión del cableado de la máquina trifásica</li> <li>3. Verifique la placa, reemplace una nueva placa de conducción del motor del ventilador o la placa principal si hay una falla</li> <li>4. Compruebe si hay alguna barrera delante de la aspa del ventilador y retírela</li> </ol>
Función anormal del modulo PFC	EE18	La placa de control está dañada	<ol style="list-style-type: none"> <li>1. Cambiar una nueva palca</li> <li>2. Compruebe si la velocidad del motor del ventilador es demasiado baja o si el motor del ventilador está dañado, cambielo</li> </ol>

<b>Mal funcionamiento</b>	<b>Código de error</b>	<b>Razón</b>	<b>Solución</b>
Fallo por alta temperatura del modulo PFC	EE19	<ol style="list-style-type: none"> <li>1. Salida del circuito térmico del módulo PFC anormal</li> <li>2. Motor del ventilador dañado o funcionamiento anormal.</li> <li>3. La hoja del ventilador está rota</li> <li>4. La conexión en la placa de control no está bien conectada</li> </ol>	<ol style="list-style-type: none"> <li>1. Cambiar el controlador</li> <li>2. Compruebe si la velocidad del motor es demasiado baja o si el motor del ventilador está dañado, cambielo</li> <li>3. Cambiar la hoja del ventilador</li> <li>4. Verifique si la conexión está suelta</li> </ol>
Error de alimentación de entrada	EE20	El voltaje de la fuente de alimentación fluctúa demasiado	Compruebe si el voltaje es estable
Error en el control del software	EE21	<ol style="list-style-type: none"> <li>1. El compresor se queda sin comunicación</li> <li>2. Programa incorrecto</li> <li>3. Impurezas dentro del compresor hace que la velocidad de rotación sea inestable</li> </ol>	<ol style="list-style-type: none"> <li>1. Compruebe o cambie el controlador</li> <li>2. Introduzca el programa correcto</li> </ol>
Error de circuito de detección de corriente	EE22	<ol style="list-style-type: none"> <li>1. Señal de tensión anormal</li> <li>2. El controlador está dañado</li> <li>3. Falla de la placa principal</li> </ol>	<ol style="list-style-type: none"> <li>1. Cambiar una nueva placa principal</li> <li>2. Cambiar una nueva placa de controlador</li> </ol>
Fallo de arranque del compresor	EE23	<ol style="list-style-type: none"> <li>1. El controlador está dañado</li> <li>2. Error de cableado del compresor o contacto deficiente o desconectado</li> <li>3. Acumulación de líquido en el compresor</li> <li>4. Conexión de fase incorrecta para el compresor</li> </ol>	<ol style="list-style-type: none"> <li>1. Compruebe o cambie el controlador</li> <li>2. Compruebe el cableado del compresor de acuerdo con el diagrama de circuito</li> </ol> <p>Compruebe el compresor o cambielo</p>
Fallo del dispositivo de temperatura ambiente en la placa electrónica	EE24	Fallo del dispositivo de temperatura ambiente	Cambiar la placa del controlador o la placa principal
Falla de fase del compresor	EE25	Mala conexión de las fases	Compruebe el cableado actual de acuerdo con el diagrama de circuito
Error en la válvula de 4 vías	EE26	<ol style="list-style-type: none"> <li>1. Fallo de la válvula de cuatro vías</li> <li>2. Falta de refrigerante (no detecta d5-TH2 o d3-TH1 )</li> </ol>	<ol style="list-style-type: none"> <li>1. Conmutar al modo de refrigeración para comprobar si la válvula de 4 vías se ha invertido correctamente</li> <li>2. Cambiar la válvula de 4 vías</li> <li>3. Llenar con gas</li> </ol>
Error de lectura de datos EEPROM	EE27	<ol style="list-style-type: none"> <li>1. Datos de la EPROM incorrectos en el programa o fallo en la entrada de datos de la EPROM</li> <li>2. Fallo de la placa principal</li> </ol>	<ol style="list-style-type: none"> <li>1. Introduzca los datos correctos de la EEPROM</li> <li>2. Cambiar la placa principal</li> </ol>
Falla de comunicación en el chip interno de la placa electrónica	EE28	Fallo en la placa principal	<ol style="list-style-type: none"> <li>1. Apague el suministro eléctrico y vuelva a encenderlo</li> <li>2. Cambiar la placa principal</li> </ol>

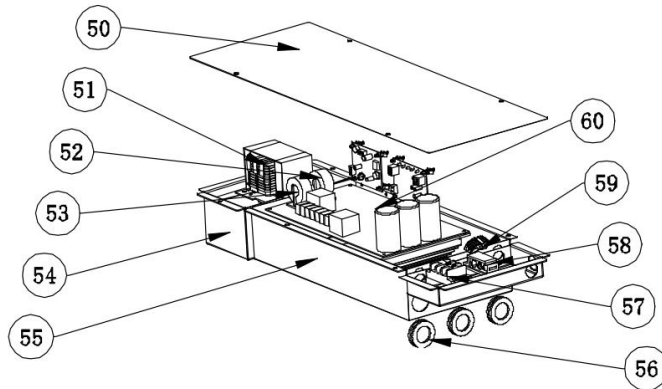
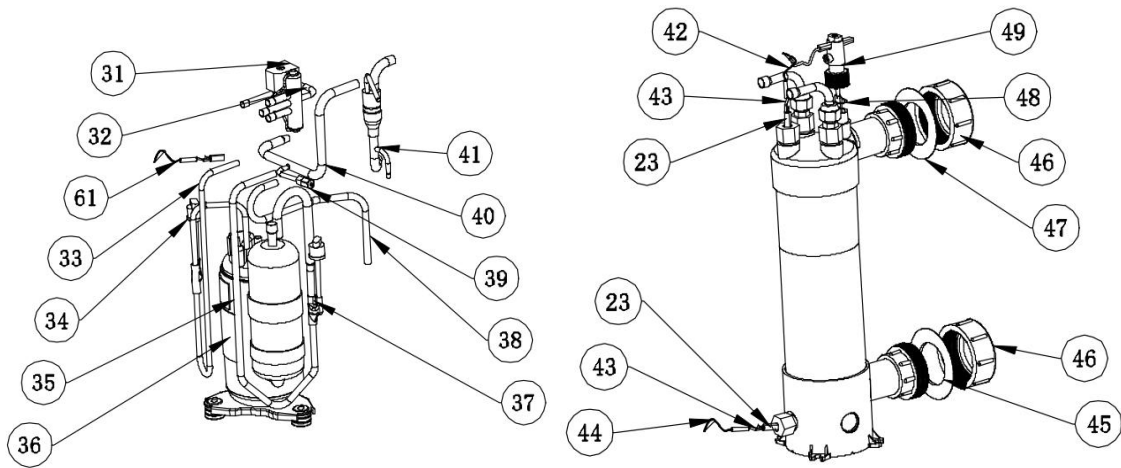
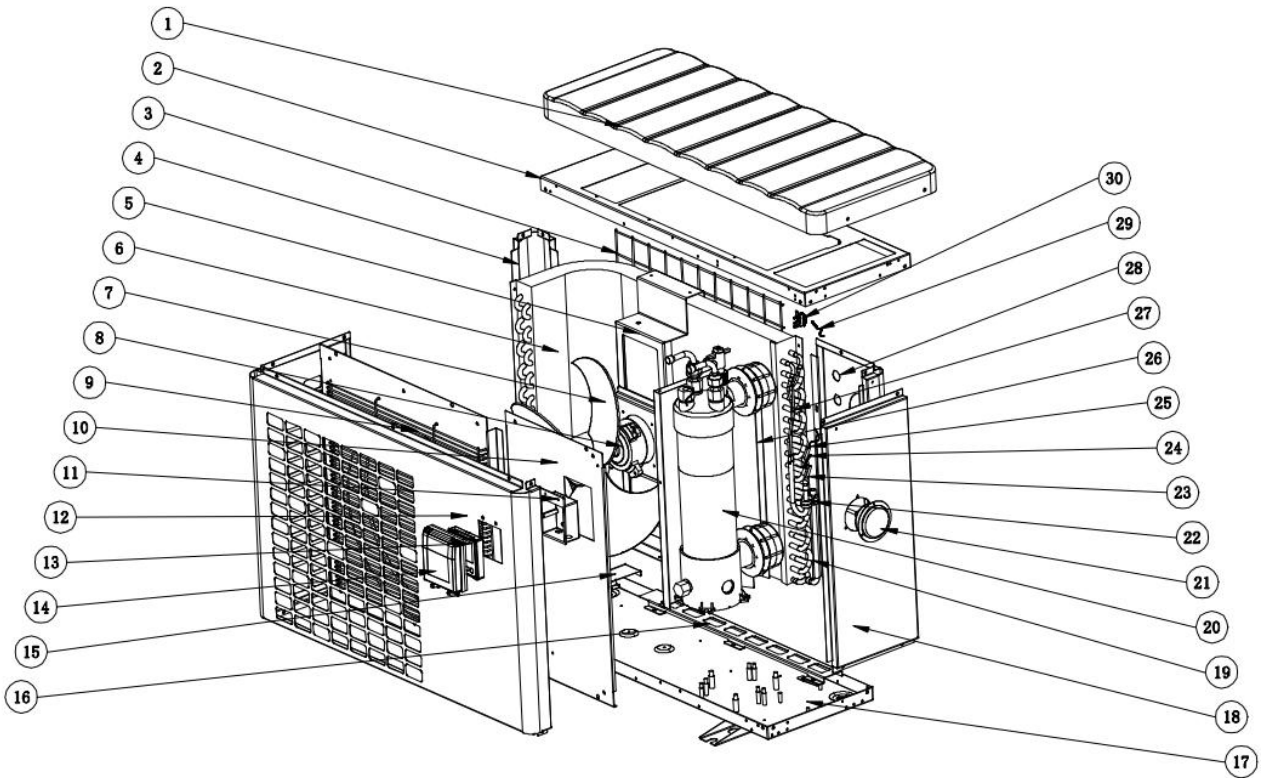


## 7.2 Otras Averías y Soluciones ( No display en controlador LED)

Aavería	Descripción	Motivos	Solución
La bomba de calor no está funcionando.	Ninguna visualización en el display del controlador LED.	No hay alimentación de potencia.	Chequee el cable e Minipresostato, verifique si están conectados.
	Controlador LED muestra el tiempo actual	La bomba de calor está en el estado standby.	Inicie la bomba de calor para su puesta en marcha.
	El controlador LED muestra la temperatura del agua actual.	<ol style="list-style-type: none"> <li>1. La temperatura del agua está llegando al valor de ajuste, la bomba de calor se encuentra en estado de temperatura constante.</li> <li>2. La bomba de calor comienza justo a funcionar.</li> <li>3. Bajo la descongelación.</li> </ol>	<ol style="list-style-type: none"> <li>1. Verifica el ajuste de la temperatura del agua.</li> <li>2. Inicie la bomba de calor después de algunos minutos.</li> <li>3. El controlador LED debe mostrar "descongelación".</li> </ol>
La temperatura del agua se enfría cuando la bomba de calor funciona en el modo calefacción.	El controlador LED muestra la temperature actual del agua y el código de error.	<ol style="list-style-type: none"> <li>1. Elección del modo incorrecto.</li> <li>2. Las cifras muestran un problema.</li> <li>3. Fallo del controlador.</li> </ol>	<ol style="list-style-type: none"> <li>1. Ajuste el modo para un buen funcionamiento.</li> <li>2. Reemplace el controlador LED de fallo, y luego chequee el estado después de haber cambiado el modo de funcionamiento, verifique la temperatura de entrada y salida del agua.</li> <li>3. Reemplace o repare la unidad de la bomba de calor.</li> </ol>
Funcionamiento corto	LED muestra la temperature actual del agua, no se muestra el código de error.	<ol style="list-style-type: none"> <li>1. Ventilador NO funciona.</li> <li>2. La ventilación del aire no es suficiente.</li> <li>3. El refrigerante no es suficiente.</li> </ol>	<ol style="list-style-type: none"> <li>1. Chequee las conexiones de cable entre el motor y el ventilador, si es necesario, deben ser reemplazados.</li> <li>2. Compruebe la ubicación de la unidad de la bomba de calor, y elimine todos los obstáculos para tener una buena ventilación del aire.</li> <li>3. Reemplace o repare la unidad de la bomba del calor.</li> </ol>
Manchas de agua	Manchas de agua en la unidad de la bomba de calor	<ol style="list-style-type: none"> <li>1. Protección</li> <li>2. Fuga del agua.</li> </ol>	<ol style="list-style-type: none"> <li>1. Ninguna accion.</li> <li>2. Verifique con cuidado el intercambiador de calor de titanio si hay algún fallo de fuga.</li> </ol>
Demasiado hielo en el evaporador	Demasiado hielo en el evaporador		<ol style="list-style-type: none"> <li>1. Chequee la ubicación de la unidad de la bomba de calor, y elimine todos los obstáculos para tener una buena ventilación del aire.</li> <li>2. Reemplace o repare la unidad de la bomba de calor.</li> </ol>

# 8. Diagrama de despiece y mantenimiento

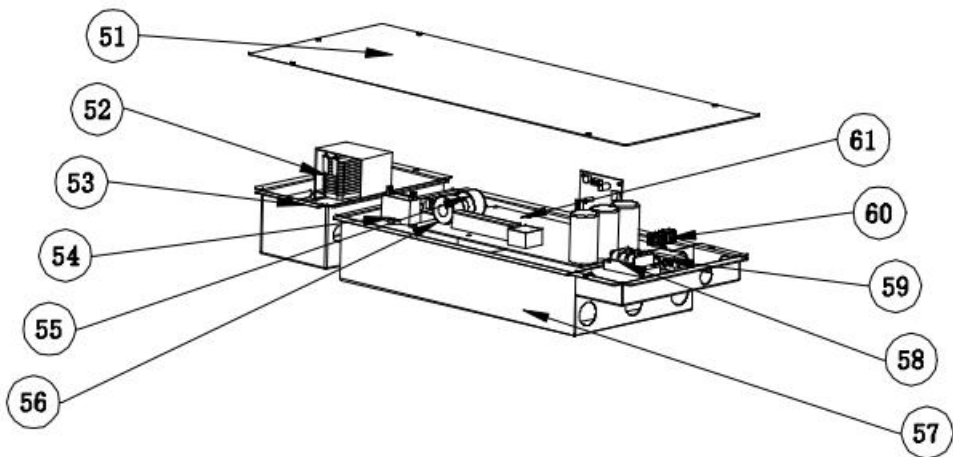
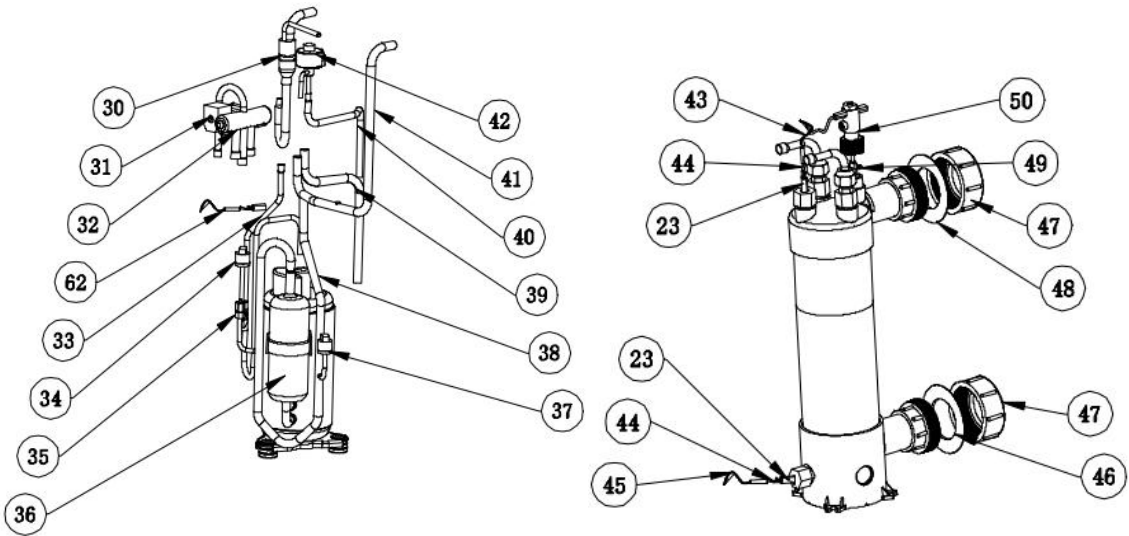
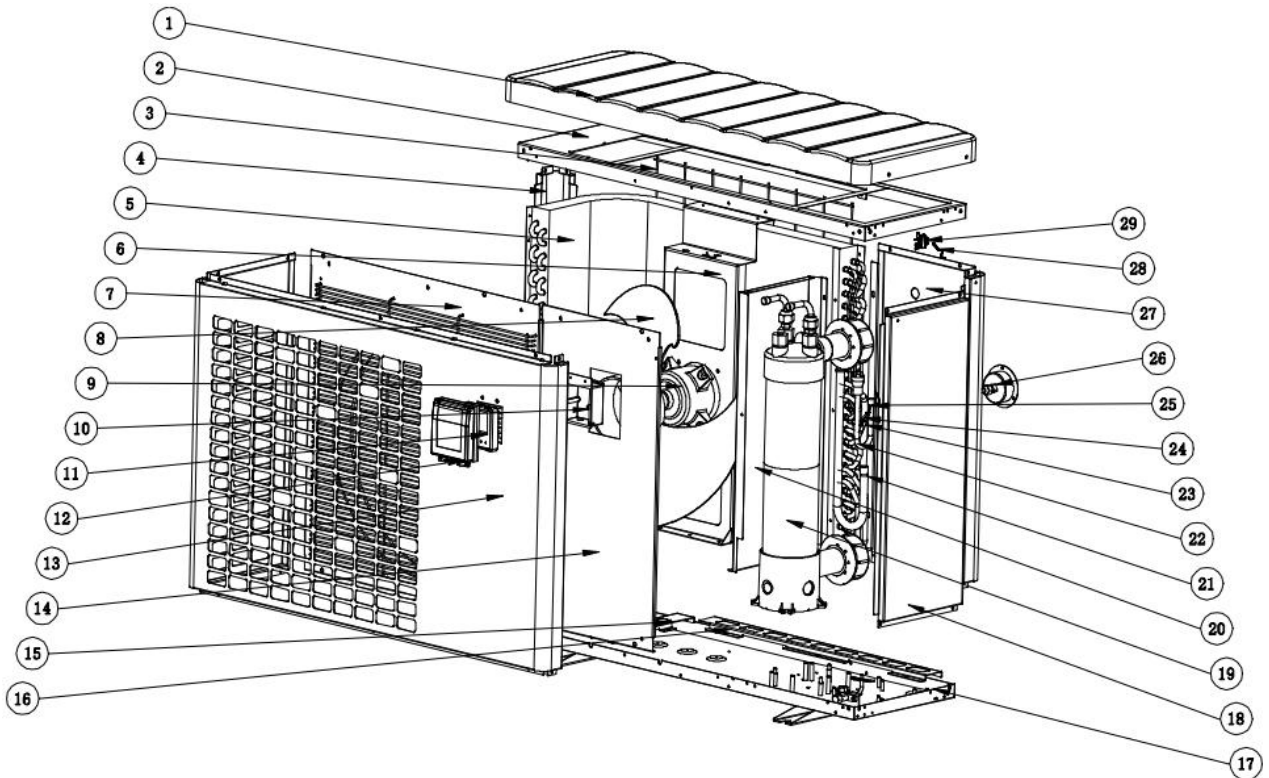
Model: VSN-10



## Spare parts list: VSN-10

NO	ERP	Spare parts	NO	ERP	Spare parts
1	133340015	Tapa superior	32	121000037	Bobinas de válvulas de cuatro vías
2	108830029	Marco superior	33	113010335	Tubo de escape
3	108830014	Rejilla trasera	34	112100030	Minipresostato de alta presión
4	108830055	Pilar	35	113020444	Tubería de retorno de gas
5	108830054	Soporte del motor del ventilador	36	101000187	Compresor + bases antivibratorias.
6	103000271	Evaporador	37	112100046	Minipresostato de baja presión
7	113600007	Aspa del ventilador	38	113060157	Tubo
8	112000069	Motor del ventilador	39	120000098	Válvula de gas
9	108830057	Montaje del panel frontal	40	113030150	Válvula de 4 vías para intercambiador.
10	108830024	Intercambiador a Capilar	41	113090091	Intercambiador a Capilar
11	133030011	Caja de control	42	117110012	Sonda Tª de entrada de agua. sensor d1-TH6
12	108830058	Panel frontal	43	108010025	Clip del sensor de temperatura del intercambiador
13	117020212	Controlador	44	117110011	Sonda Tª salida de agua sensor d2-TH5
14	113712007	Cubierta del controlador	45	133020011	Anillo de goma azul
15	108830004	Almohadilla del evaporador	46	102050004	Conjuntos de conexión de agua
16	108830005	Almohadilla del evaporador	47	133020012	Anillo de goma rojo
17	108830001	Bandeja de base	48	133020026	Junta de estanqueidad interruptor de flujo de agua
18	108830059	Panel derecho	49	112100021-3	Interruptor de flujo de agua
19	103000271	Tubería evaporador	50	108830031	Tapa de caja eléctrica
20	103000271	Intercambiador de calor de titanio	51	117230003	Reactor
21	106000011	Manómetro	52	117240002	Anillo magnético
22	136020018	Bloque de goma	53	117240003	Anillo magnético
23	113190001	Alojamiento de sonda	54	108830026	Coffret reactor
24	113190007	Clip	55	108830030	Caja eléctrica
25	117110004	Sonda evaporador. Desescarche. d5-TH2	56	136020119	Junta de goma
26	108830003	Panel de aislamiento	57	115000002	Bornas de conexión
27	103000271	Tubería de distribución	58	136010004	Clip de fixation sonde
28	108830056	Panel trasero	59	115000060	Bornier de connexion
29	117110020	Sonda Tª ambiente d3-TH1	60	117100046	Carte électronique
30	133020010	Clip sonda Tª ambiente	61	117110021	Sonda Tª descarga sensor d6-TH3
31	121000035	Válvula de 4 vías			

Model: VSN-12 / VSN-15 / VSN-17



## Spare parts list: VSN-12

NO	ERP	Spare parts	NO	ERP	Spare parts
1	133300019	Tapa superior	32	121000037	Bobinas de válvulas de cuatro vías
2	108790071	Marco superior	33	113010349	Tubo de escape
3	108790049	Rejilla trasera	34	112100030	Minipresostato de alta presión
4	108790107	Pilar	35	120000097	Válvula de gas
5	103000283	Evaporador	36	101000188	Compresor + bases antivibratorias.
6	108790111	Soporte del motor del ventilador	37	112100046	Minipresostato de baja presión
7	108790127	Montaje del panel frontal	38	113020460	Tubería de retorno de gas
8	113600010	Aspa del ventilador	39	113060156	Tubo
9	112000070	Motor del ventilador	40	113090087	Intercambiador a Capilar
10	133030011	Caja de control	41	113030155	Válvula de 4 vías para intercambiador.
11	117020212	Controlador	42	109000053	Capilar
12	113712007	Cubierta del controlador	43	117110012	Sonda Tª de entrada de agua. sensor d1-TH6
13	108790112	Panel frontal	44	108010025	Clip del sensor de temperatura del intercambiador
14	108790081	Intercambiador a Capilar	45	117110011	Sonda Tª salida de agua sensor d2-TH5
15	108790025	Almohadilla del evaporador	46	133020011	Anillo de goma azul
16	108790026	Almohadilla del evaporador	47	102050004	Conjuntos de conexión de agua
17	108790013	Bandeja de base	48	133020012	Anillo de goma rojo
18	108790109	Panel derecho	49	133020026	Junta de estanqueidad interruptor de flujo de agua
19	102040861	Intercambiador de calor de titanio	50	112100021-3	Interruptor de flujo de agua
20	108790024	Panel de aislamiento	51	108790072	Tapa de caja eléctrica
21	103000283	Tubería evaporador	52	117230003	Reactor
22	103000283	Tubería de distribución	53	108790073	Coffret reactor
23	113190001	Alojamiento de sonda	54	111000006	Condensador de ventilador
24	113190007	Clip	55	117240002	Anillo magnético
25	117110004	Sonda evaporador. Desescarche. d5-TH2	56	117240003	Anillo magnético
26	106000011	Manómetro	57	108790075	Caja eléctrica
27	108790108	Panel trasero	58	115000002	Bornas de conexión
28	117110020	Sonda Tª ambiente d3-TH1	59	136010004	Clip de fixation sonde
29	133020010	Clip sonda Tª ambiente	60	115000060	Bornier de connexion
30	113030155	Válvula de 4 vías para intercambiador.	61	117100046	Carte électronique
31	121000034	Válvula de 4 vías	62	117110021	Sonda Tª descarga sensor d6-TH3

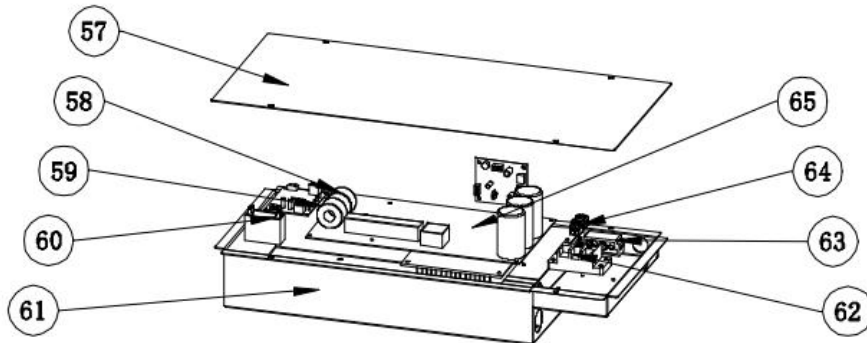
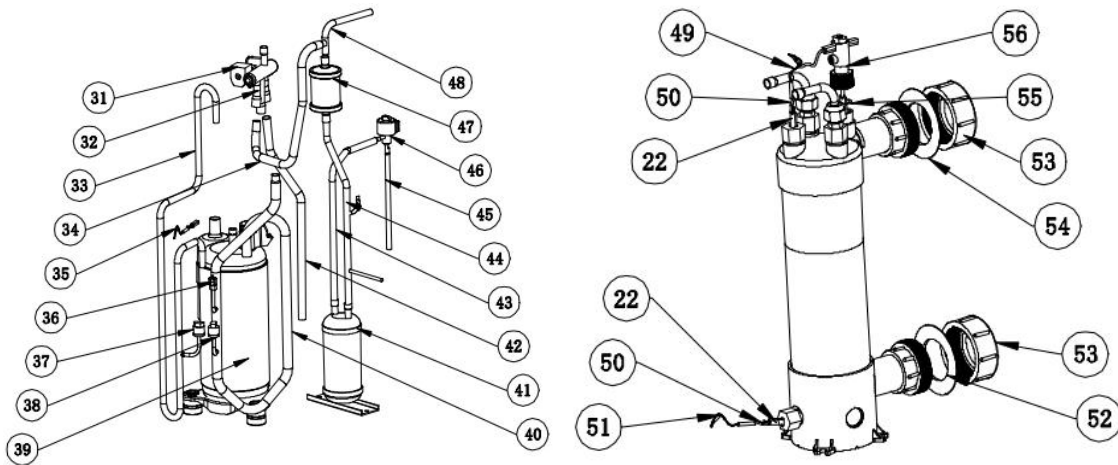
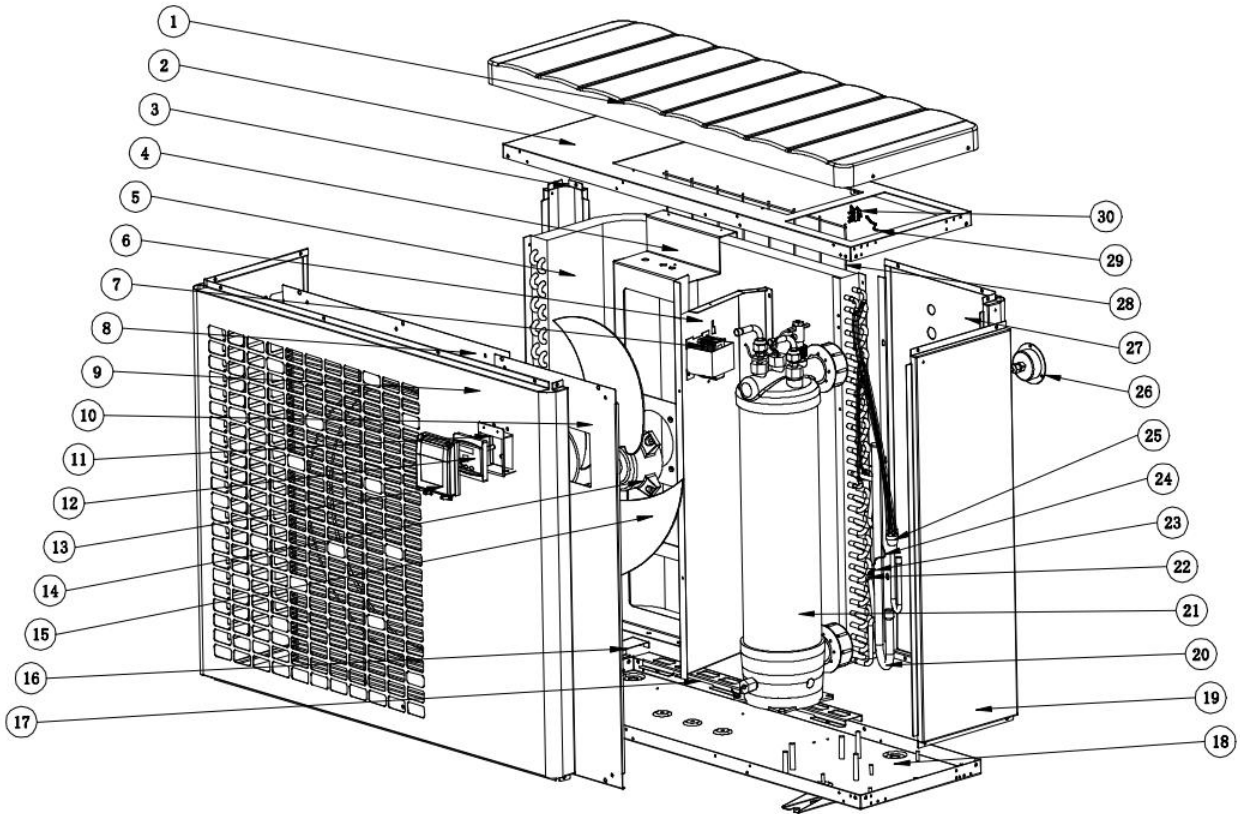
## Spare parts list: VSN-15

NO	ERP	Spare parts	NO	ERP	Spare parts
1	133300019	Tapa superior	32	121000037	Bobinas de válvulas de cuatro vías
2	108790071	Marco superior	33	113010349	Tubo de escape
3	108790049	Rejilla trasera	34	112100030	Minipresostato de alta presión
4	108790107	Pilar	35	120000097	Válvula de gas
5	103000290	Evaporador	36	101000188	Compresor + bases antivibratorias.
6	108790111	Soporte del motor del ventilador	37	112100046	Minipresostato de baja presión
7	108790127	Montaje del panel frontal	38	113020460	Tubería de retorno de gas
8	113600010	Aspa del ventilador	39	113060156	Tubo
9	112000070	Motor del ventilador	40	113080110	Intercambiador a Capilar
10	133030011	Caja de control	41	113070054	Válvula de 4 vías para intercambiador.
11	117020212	Controlador	42	119000058	Capilar
12	113712007	Cubierta del controlador	43	117110012	Sonda Tª de entrada de agua. sensor d1-TH6
13	108790112	Panel frontal	44	108010025	Clip del sensor de temperatura del intercambiador
14	108790081	Intercambiador a Capilar	45	117110011	Sonda Tª salida de agua sensor d2-TH5
15	108790025	Almohadilla del evaporador	46	133020011	Anillo de goma azul
16	108790026	Almohadilla del evaporador	47	102050004	Conjuntos de conexión de agua
17	108790013	Bandeja de base	48	133020012	Anillo de goma rojo
18	108790109	Panel derecho	49	133020026	Junta de estanqueidad interruptor de flujo de agua
19	102040865	Intercambiador de calor de titanio	50	112100021-3	Interruptor de flujo de agua
20	108790024	Panel de aislamiento	51	108790072	Tapa de caja eléctrica
21	103000290	Tubería evaporador	52	117230003	Reactor
22	103000290	Tubería de distribución	53	108790073	Coffret reactor
23	113190001	Alojamiento de sonda	54	111000006	Condensador de ventilador
24	113190007	Clip	55	117240002	Anillo magnético
25	117110004	Sonda evaporador. Desescarche. d5-TH2	56	117240003	Anillo magnético
26	106000011	Manómetro	57	108790074	Caja eléctrica
27	108790108	Panel trasero	58	115000002	Bornas de conexión
28	117110020	Sonda Tª ambiente d3-TH1	59	136010004	Clip de fixation sonde
29	133020010	Clip sonda Tª ambiente	60	115000060	Bornier de connexion
30	113030155	Válvula de 4 vías para intercambiador.	61	117100047	Carte électronique
31	121000034	Válvula de 4 vías	62	117110021	Sonda Tª descarga sensor d6-TH3

## Spare parts list: VSN-17

NO	ERP	Spare parts	NO	ERP	Spare parts
1	133300019	Tapa superior	32	121000037	Bobinas de válvulas de cuatro vías
2	108790071	Marco superior	33	113010390	Tubo de escape
3	108790049	Rejilla trasera	34	112100030	Minipresostato de alta presión
4	108790107	Pilar	35	120000097	Válvula de gas
5	103000291	Evaporador	36	101000181	Compresor + bases antivibratorias.
6	108790111	Soporte del motor del ventilador	37	112100046	Minipresostato de baja presión
7	108790127	Montaje del panel frontal	38	113020541	Tubería de retorno de gas
8	113600010	Aspa del ventilador	39	113060156	Tubo
9	112000070	Motor del ventilador	40	113080115	Intercambiador a Capilar
10	133030011	Caja de control	41	113070054	Válvula de 4 vías para intercambiador.
11	117020212	Controlador	42	119000058	Capilar
12	113712007	Cubierta del controlador	43	117110012	Sonda Tª de entrada de agua. sensor d1-TH6
13	108790112	Panel frontal	44	108010025	Clip del sensor de temperatura del intercambiador
14	108790081	Intercambiador a Capilar	45	117110011	Sonda Tª salida de agua sensor d2-TH5
15	108790025	Almohadilla del evaporador	46	133020011	Anillo de goma azul
16	108790026	Almohadilla del evaporador	47	102050004	Conjuntos de conexión de agua
17	108790093	Bandeja de base	48	133020012	Anillo de goma rojo
18	108790109	Panel derecho	49	133020026	Junta de estanqueidad interruptor de flujo de agua
19	103000271	Intercambiador de calor de titanio	50	112100021-3	Interruptor de flujo de agua
20	108790024	Panel de aislamiento	51	108790072	Tapa de caja eléctrica
21	103000291	Tubería evaporador	52	117230003	Reactor
22	103000291	Tubería de distribución	53	108790073	Coffret reactor
23	113190001	Alojamiento de sonda	54	111000006	Condensador de ventilador
24	113190007	Clip	55	117240002	Anillo magnético
25	117110004	Sonda evaporador. Desescarche. d5-TH2	56	117240003	Anillo magnético
26	106000011	Manómetro	57	108790074	Caja eléctrica
27	108790108	Panel trasero	58	115000002	Bornas de conexión
28	117110020	Sonda Tª ambiente d3-TH1	59	136010004	Clip de fixation sonde
29	133020010	Clip sonda Tª ambiente	60	115000060	Bornier de connexion
30	113030172	Válvula de 4 vías para intercambiador.	61	117100047	Carte électronique
31	121000034	Válvula de 4 vías	62	117110021	Sonda Tª descarga sensor d6-TH3

# Model: VSN-21





NO	ERP	Spare parts	NO	ERP	Spare parts
1	133350015	Tapa superior	34	113030174	Válvula de 4 vías para intercambiador.
2	108840002	Marco superior	35	117110004	Sonda evaporador. Desescarche. d5-TH2
3	108840081	Pilar	36	120000097	Válvula de gas
4	108840079	Soporte del motor del ventilador	37	112100030	Minipresostato de alta presión
5	103000292	Evaporador	38	112100046	Minipresostato de baja presión
6	108840003	Panel de aislamiento	39	101000185	Compresor + bases antivibratorias.
7	117230002	Reactor	40	113020451	Tubería de retorno de gas
8	108840084	Montaje del panel frontal	41	105000004	Depósito de líquido
9	108840080	Panel frontal	42	113060159	Tubo
10	108840083	Onderhoudspaneel	43	113120040	Tanque de almacenamiento de líquido para EEV
11	133030011	Caja de control	44	113130042	Filtrar al tanque de almacenamiento de líquidos
12	117020284	Controlador	45	113080111	EEV a tuberías de distribución
13	113712007	Cubierta del controlador	46	119000059	EEV
14	111400043	Motor del ventilador	47	120000066	Filtrar
15	113600013	Aspa del ventilador	48	113130035	Intercambiador para filtrar
16	108840004	Almohadilla del evaporador	49	117110012	Sonda Tª de entrada de agua. sensor d1-TH6
17	108840005	Almohadilla del evaporador	50	108010025	Clip del sensor de temperatura del intercambiador
18	108840001	Bandeja de base	51	117110011	Sonda Tª salida de agua sensor d2-TH5
19	108840085	Panel derecho	52	133020011	Anillo de goma azul
20	103000292	Tubería evaporador	53	102050004	Conjuntos de conexión de agua
21	102041021	Intercambiador de calor de titanio	54	133020012	Anillo de goma rojo
22	113190001	Alojamiento de sonda	55	133020026	Junta de estanqueidad interruptor de flujo de agua
23	113190007	Clip	56	112100021-3	Interruptor de flujo de agua
24	117110021	Sonda Tª descarga sensor d6-TH3	57	108840008	Tapa de caja eléctrica
25	103000292	Tubería de distribución	58	117240002	Anillo magnético
26	106000011	Manómetro	59	117240003	Anillo magnético
27	108840082	Panel trasero	60	111000006	Condensador de ventilador
28	108840014	Rejilla trasera	61	108840007	Caja eléctrica
29	117110020	Sonda Tª ambiente d3-TH1	62	115000025	Bornas de conexión
30	133020010	Clip sonda Tª ambiente	63	136010004	Clip de fixation sonde
31	121000028	Válvula de 4 vías	64	115000060	Bornier de connexion
32	121000037	Bobinas de válvulas de cuatro vías	65	117100047	Carte électronique
33	113010339	Tubo de escape			

## 9 Mantenimiento

### Advertencia !

-Antes de cualquier trabajo de mantenimiento en el aparato, debe cortar el suministro eléctrico ya que existe el riesgo de descarga eléctrica que puede causar daños materiales, lesiones graves o incluso la muerte.

- Se recomienda que el aparato se someta al mantenimiento general al menos una vez al año para asegurar su correcto funcionamiento, mantener los niveles de rendimiento y evitar posibles averías. se llevan a cabo por cuenta del usuario, por un técnico cualificado. para que el mantenimiento sea realizado por un técnico cualificado.

-Para que el mantenimiento sea realizado por un técnico calificado, lea las instrucciones de seguridad en las páginas anteriores proporcionadas en el capítulo titulado "mantenimiento: advertencias sobre aparatos que contienen refrigerante R32" antes de realizar cualquiera de las operaciones de mantenimiento descritas a continuación.

(1) Debe revisar regularmente el sistema del abastecimiento del agua para evitar que el aire entre al sistema y provoque bajo caudal de agua, ya que estas averías reducirán el rendimiento y la fiabilidad de la unidad de la bomba de calor.

(2) Debe limpiar regularmente sus piscinas y el sistema de filtración para evitar el daño a la unidad por suciedad del sistema de filtración.

(3) Verifique la conexión del cable de potencia, si la bomba de calor comienza a funcionar de manera anormalmente, usted deberá apagarla y entrar en contacto con un técnico calificado.




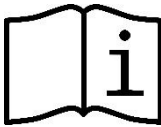
(4) Después de que la unidad está acondicionada para la temporada de invierno, él está preconizando para cubrir la bomba de calor con la funda de invierno.

(5) Cuando la unidad está funcionando, siempre hay una pequeña descarga de agua debajo de la unidad.

(6) Vacíe siempre el agua de la bomba de calor durante el invierno o cuando la temperatura ambiente descienda por debajo de 0 °C, de lo contrario, el intercambiador de titanio se dañará por congelación, en tal caso, perderá la garantía.



## AVERTISSEMENTS

	<b>Ce symbole indique que de plus amples informations sont disponibles dans le Manuel d'utilisation ou dans le Manuel d'installation.</b>		<b>Ce symbole indique que l'appareil utilise du R32, un réfrigérant à faible vitesse de combustion.</b>
	<b>Ce symbole indique que le Manuel d'utilisation doit être lu avec attention.</b>		<b>Ce symbole indique qu'un technicien de maintenance doit manipuler cet équipement conformément au Manuel d'utilisation.</b>

### AVERTISSEMENTS GÉNÉRAUX

- Le non-respect des avertissements pourrait causer des dommages à l'équipement de la piscine ou entraîner de graves blessures, voire la mort.
- Seule une personne qualifiée dans les domaines techniques concernés (électricité, hydraulique ou frigorifique), est habilitée à faire la maintenance ou la réparation de l'appareil. Le technicien qualifié intervenant sur l'appareil doit utiliser/porter un équipement de protection individuel (tels que lunettes de sécurité, gants de protection, etc...) afin de réduire tout risque de blessure qui pourrait survenir lors de l'intervention sur l'appareil.
- Avant toute intervention sur l'appareil, s'assurer que celui-ci est hors tension et consigné.
- Cet appareil n'est pas prévu pour être utilisé par des personnes (y compris les enfants) dont les capacités physiques, sensorielles ou mentales sont réduites, ou des personnes dénuées d'expérience ou de connaissance, sauf si elles ont pu bénéficier, par l'intermédiaire d'une personne responsable de leur sécurité, d'une surveillance ou d'instructions préalables concernant l'utilisation de l'appareil. Il convient de surveiller les enfants pour s'assurer qu'ils ne jouent pas avec l'appareil.
- Cet appareil peut être utilisé par des enfants âgés d'au moins 8 ans et par des personnes ayant des capacités physiques, sensorielles ou mentales réduites ou dénuées d'expérience ou de connaissance, s'ils (si elles) sont correctement surveillé(e)s ou si des instructions relatives à l'utilisation de l'appareil en toute sécurité leur ont été données et si les risques encourus ont été appréhendés. Le nettoyage et l'entretien par l'utilisateur ne doivent pas être effectués par des enfants sans surveillance.
- L'installation de l'appareil doit être réalisée conformément aux instructions du fabricant et dans le respect des normes locales et nationales en vigueur. L'installateur est responsable de l'installation de l'appareil et du respect des réglementations nationales en matière d'installation. En aucun cas le fabricant ne pourra être tenu pour responsable en cas de non-respect des normes d'installation locales en vigueur.
- Pour toute autre action que l'entretien simple par l'utilisateur décrit dans cette notice, le produit doit être entretenu par un professionnel qualifié.
- Toute mauvaise installation et/ou utilisation peut entraîner des dégâts matériels, ou corporels sérieux (pouvant entraîner un décès),
- En cas de dysfonctionnement de l'appareil : ne pas tenter de réparer l'appareil par vous-même et contacter un technicien qualifié.
- Toute désactivation, élimination ou contournement de l'un des éléments de sécurité intégrés à l'appareil annule automatiquement la garantie, tout comme l'utilisation de pièces de remplacement provenant d'un fabricant tiers non

autorisé.

- Ne pas vaporiser d'insecticide ou autre produit chimique (inflammable ou non-inflammable) vers l'appareil, il pourrait détériorer la carrosserie et provoquer un incendie.
- Ne pas toucher le ventilateur ou les pièces mobiles et ne pas insérer d'objets ou vos doigts à proximité des pièces mobiles lorsque l'appareil est en fonctionnement. Les pièces mobiles peuvent causer des blessures sérieuses voire la mort.
- Veuillez conserver le contrôleur d'affichage dans un endroit sec ou bien fermer le couvercle isolant pour éviter que le contrôleur d'affichage ne soit endommagé par l'humidité.

#### **AVERTISSEMENTS LIÉS À DES APPAREILS ÉLECTRIQUES**

- L'alimentation électrique de l'appareil doit être protégée par un Dispositif de protection à courant Différentiel Résiduel (DDR) de 30 mA dédié, en conformité avec les normes en vigueur du pays d'installation.
- Ne pas utiliser de rallonge pour brancher l'appareil ; connecter l'appareil directement à un circuit d'alimentation adapté.
- Avant toute opération, vérifier que :
  - La tension indiquée sur la plaque signalétique de l'appareil correspond bien à celle du réseau,
  - Le réseau d'alimentation convient à l'utilisation de l'appareil, et qu'il dispose d'une prise à la terre,
  - La fiche d'alimentation s'adapte à la prise de courant.
- Ne pas débrancher et rebrancher l'appareil en cours de fonctionnement.
- Ne pas tirer sur le câble d'alimentation pour le débrancher.
- Si le câble d'alimentation est abîmé, il doit être impérativement remplacé par le fabricant, son agent technique ou une personne qualifiée afin de garantir la sécurité.
- Ne pas réaliser d'entretien ou de maintenance de l'appareil les mains mouillées ou si l'appareil est mouillé.
- Avant de connecter l'appareil à la source d'alimentation, vérifier que bloc de raccordement ou la prise d'alimentation à laquelle l'appareil sera connecté est en bon état et qu'il n'est pas endommagé ni rouillé.
- Par temps orageux, déconnecter l'appareil de l'alimentation électrique pour éviter qu'il ne soit endommagé par la foudre.
- Ne pas plonger l'appareil dans l'eau ou la boue

#### **AVERTISSEMENTS LIÉS AUX APPAREILS CONTENANT DU FLUIDE FRIGORIGÈNE R32**

- Le réfrigérant R32 est un réfrigérant de catégorie A2L, qui est considéré comme potentiellement inflammable.
- Ne pas décharger le fluide R32 dans l'atmosphère. Ce fluide est un gaz fluoré à effet de serre, couvert par le protocole de Kyoto, avec un Potentiel de chauffage global (GWP) = 675 (réglementation européenne UE 517/2014).
- Installer l'unité à l'extérieur. Ne pas installer l'unité à l'intérieur ou dans un endroit clôt et non aéré en extérieur.
- L'appareil doit être stocké dans une pièce sans source d'étincelle en fonctionnement permanent (par exemple : flammes à l'air libre, appareil à gaz en fonctionnement ou chauffage électrique en fonctionnement).
- Ne pas percer, ni incinérer.
- À noter que le réfrigérant R32 peut dégager une certaine odeur.
- Afin de se conformer aux normes et aux réglementations pertinentes en matière d'environnement et d'installation, notamment au décret N° 2015-1790 et/ou à la réglementation européenne UE 517/2014, une recherche de fuite doit être effectuée sur le circuit de refroidissement au moins une fois par an. Cette opération doit être effectuée par un spécialiste certifié des appareils de refroidissement.
- Merci de conserver l'afficheur dans un endroit sec ou fermer son couvercle pour éviter que l'afficheur ne soit endommagé par l'humidité.

## **MAINTENANCE : AVERTISSEMENTS LIÉS AUX APPAREILS CONTENANT DU RÉFRIGÉRANT R32**

- Pendant la phase d'entretien de l'appareil, la composition et l'état du fluide caloporteur seront contrôlés, ainsi que l'absence de trace de réfrigérant.
- Pendant le contrôle annuel d'étanchéité de l'appareil, conformément aux lois en vigueur, vérifier que les pressostats haute et basse pression sont raccordés correctement sur le circuit frigorifique et qu'ils coupent le circuit électrique en cas de déclenchement.
- Pendant la phase de maintenance, s'assurer qu'il n'y a pas de traces de corrosion ou de taches d'huile autour des composants frigorifiques.
- Ne pas braser ou souder le tuyau s'il y a du réfrigérant à l'intérieur de la machine. Veuillez ne pas charger le gaz dans un espace confiné.

### ***Vérification de la zone***

- Avant de commencer à travailler sur des systèmes contenant des fluides frigorigènes inflammables, des contrôles de sécurité sont nécessaires pour garantir que le risque d'étincelle soit réduit.

### ***Procédure de travail***

- Les travaux doivent être effectués selon une procédure contrôlée afin de réduire le risque de libération d'un gaz ou de vapeur inflammable pendant les travaux.
- Avant toutes interventions sur le circuit frigorifique, il est impératif d'arrêter l'appareil et d'attendre quelques minutes avant la pose de capteurs de température ou de pression, certains équipements comme le compresseur et les tuyauteries peuvent atteindre des températures supérieures à 100°C et des pressions élevées pouvant entraîner de graves brûlures.

### ***Zone générale de travail***

- Tout le personnel de maintenance et les autres personnes travaillant dans la zone proche doivent être tenus au courant des travaux effectués. Les travaux dans des espaces confinés doivent être évités.

### ***Vérification de la présence de réfrigérant***

- La zone doit faire l'objet d'une vérification par un détecteur de réfrigérant approprié avant et pendant les travaux, afin que le technicien soit averti de la présence d'une atmosphère potentiellement toxique ou inflammable. S'assurer que l'équipement de détection des fuites utilisé est adapté à l'utilisation de tous les réfrigérants concernés, c'est-à-dire qu'il ne peut provoquer d'étincelle, est correctement isolé ou parfaitement sûr.

### ***Présence d'un extincteur***

- Si des travaux impliquant une certaine température doivent être effectués sur l'équipement frigorifique ou sur toute pièce associée, un équipement d'extinction des incendies approprié doit se trouver à portée de main. Mettre en place un extincteur à poudre ou à CO<sub>2</sub> à proximité de la zone de travail.

### ***Absence de source d'ignition***

- Aucune personne effectuant des travaux sur un système frigorifique et devant exposer la tuyauterie ne doit utiliser une quelconque source d'étincelle qui pourrait représenter un risque d'incendie ou d'explosion. Toutes les sources possibles d'étincelle, notamment une cigarette, doivent être gardées suffisamment à distance du site d'installation, de réparation, de retrait ou d'élimination, lorsque du réfrigérant peut potentiellement être libéré dans l'espace environnant. Avant les travaux, la zone autour de l'équipement doit être examinée afin de s'assurer qu'elle ne comporte pas de risque d'incendie ou de risque d'étincelle. Des panneaux « Interdiction de fumer » doivent être affichés.

### ***Ventilation de la zone***

- Avant d'accéder à l'unité d'une quelconque manière que ce soit pour y effectuer n'importe quel entretien, s'assurer que la zone est ouverte et bien aérée. Une aération appropriée, permettant une dispersion en toute sécurité de tout réfrigérant qui pourrait être libéré dans l'atmosphère, doit être maintenue pendant l'entretien de l'unité.

### ***Vérification de l'équipement de réfrigération***

- Les recommandations en matière d'entretien et de maintenance du fabricant doivent toujours être respectées. Lors du remplacement de composants électriques, s'assurer de n'utiliser que des composants du même type et de même catégorie, qui sont recommandés/approuvés par le fabricant. En cas de doute, consulter le service technique du fabricant pour obtenir de l'aide.
- Les vérifications suivantes doivent être appliquées aux installations utilisant des réfrigérants inflammables :
  - les marquages sur l'équipement doivent rester visibles et lisibles, tout marquage ou signal illisible doit être corrigé ;
  - les tuyaux ou composants frigorifiques sont installés dans une position où il est peu probable qu'ils soient exposés à toute substance qui pourrait corroder des composants contenant du réfrigérant, sauf si les composants sont fabriqués dans des matériaux normalement résistants à la corrosion ou correctement protégés contre une telle corrosion.

### ***Vérification des composants électriques***

- La réparation et la maintenance des composants électriques doivent comporter des contrôles de sécurité initiaux et des procédures d'inspection des composants. Si une défaillance pouvant compromettre la sécurité survient, aucune alimentation électrique ne doit être branchée au circuit jusqu'à ce qu'elle soit entièrement résolue. Si la défaillance ne peut être corrigée immédiatement, mais que les travaux doivent se poursuivre, une solution temporaire adaptée doit être trouvée. Ceci doit être signalé au propriétaire de l'équipement afin que toutes les personnes concernées soient averties.
- La réparation et la maintenance des composants électriques doivent inclure les contrôles de sécurité initiaux suivants : les condensateurs sont déchargés : ceci doit être effectué en toute sécurité afin d'éviter toute possibilité d'étincelle ; aucun composant électrique, ni aucun câblage alimenté n'est exposé pendant la charge, la remise en état ou la purge du système ; le raccordement à la terre doit être présent en continu.

### ***Réparation sur les composants isolés***

- Lors de réparations sur des composants isolés, toutes les alimentations électriques doivent être débranchées de l'équipement sur lequel les travaux sont effectués avant tout retrait de couvercle d'isolement, etc. Si l'équipement doit absolument être alimenté en électricité pendant l'entretien, un dispositif de détection des fuites fonctionnant en permanence doit être placé au point le plus critique afin de signaler toute situation potentiellement dangereuse.
- Il convient de faire particulièrement attention aux points suivants afin de s'assurer que, lors de travaux sur des composants électriques, le boîtier n'est pas altéré au point d'affecter le niveau de protection. Ceci doit inclure les câbles endommagés, un nombre excessif de branchements, des bornes non conformes aux caractéristiques d'origine, les joints endommagés, une installation incorrecte des presse-étoupes, etc.
- S'assurer que l'appareil est correctement fixé.
- S'assurer que les joints ou les matériaux d'isolement ne se sont pas dégradés au point qu'ils n'empêchent plus une atmosphère inflammable de pénétrer dans le circuit. Les pièces de rechange doivent être conformes aux caractéristiques du fabricant.

### ***Réparation des composants intrinsèquement sûrs***

- N'appliquer aucune charge d'induction ou de capacité électrique permanente au circuit sans s'assurer que celle-ci n'excède pas la tension et l'intensité autorisées pour l'équipement en cours d'utilisation.
- Les composants normalement sûrs sont les seuls types sur lesquels il est possible de travailler en présence d'une

atmosphère inflammable lorsqu'ils sont alimentés. L'appareil de test doit appartenir à la classe adaptée.

- Ne remplacer les composants que par des pièces spécifiées par le fabricant. D'autres pièces pourraient enflammer le réfrigérant dans l'atmosphère en raison d'une fuite.

### **Câblage**

- Vérifier que le câblage ne présente pas d'usure, de corrosion, de pression excessive, de vibration, de bord coupant ou tout autre effet environnemental négatif. Le contrôle doit également prendre en compte les effets du vieillissement ou de vibrations en continu provoquées par des sources telles que des compresseurs ou des ventilateurs.

### **Détection de fluide réfrigérant inflammable**

- En aucun cas, des sources potentielles d'étincelle ne doivent être utilisées pour la recherche ou la détection de fuites de réfrigérant. Une lampe halogène (ou tout autre détecteur utilisant une flamme nue) ne doit pas être utilisée.
- Les méthodes de détection de fuite suivantes sont considérées comme acceptables pour tous les systèmes frigorifiques.
- Les détecteurs de fuite électroniques peuvent être utilisés pour détecter des fuites de réfrigérant mais, en cas de réfrigérant inflammable, il se peut que la sensibilité ne soit pas adaptée ou nécessite un nouvel étalonnage. (L'équipement de détection doit être étalonné dans un endroit ne présentant aucun réfrigérant.) S'assurer que le détecteur n'est pas une potentielle source d'étincelle et est adapté au réfrigérant utilisé. L'équipement de détection des fuites doit être réglé à un pourcentage du LFL du réfrigérant et doit être étalonné en fonction du réfrigérant employé. Le pourcentage de gaz approprié (25 % au maximum) doit être confirmé.
- Les fluides de détection de fuites sont également adaptés pour une utilisation sur la plupart des réfrigérants, mais l'utilisation de détergents contenant du chlore doit être évitée, car il pourrait réagir avec le réfrigérant et corroder la tuyauterie en cuivre.
- Si une fuite est suspectée, toutes les flammes nues doivent être supprimées/éteintes.
- Si une fuite de réfrigérant est détectée et nécessite un brasage, tout le réfrigérant doit être retiré du système ou isolé (par le biais de vannes de fermeture) dans une partie du système à l'écart de la fuite.

### **Retrait et évacuation**

- Lors d'un accès au circuit frigorifique pour effectuer des réparations, ou pour toute autre raison, des procédures conventionnelles doivent être utilisées. Cependant, pour des réfrigérants inflammables, il est essentiel de suivre les recommandations car l'inflammabilité est à prendre en compte. La procédure qui suit doit être respectée :

Retirer le réfrigérant ;

Purger le circuit avec un gaz inerte (facultatif pour l'A2L) ;

Evacuer (facultatif pour l'A2L) ;

Purger avec un gaz inerte (facultatif pour l'A2L) ;

Ouvrir le circuit par découpe ou brasage.

- La charge en réfrigérant doit être récupérée dans les bouteilles de récupération appropriées. Pour les appareils contenant des réfrigérants inflammables autres que des réfrigérants A2L, le système doit être purgé par de l'azote dépourvu d'oxygène pour rendre l'appareil apte à recevoir des réfrigérants inflammables. Il peut être nécessaire de répéter ce processus plusieurs fois. De l'air comprimé ou de l'oxygène ne doivent pas être utilisés pour purger des systèmes frigorifiques.

### **Procédures de chargement**

- S'assurer que la sortie de la pompe à vide ne se trouve pas à proximité de toute source potentielle d'étincelle et qu'une aération est disponible.
- En plus des procédures de charge conventionnelles, les exigences suivantes doivent être respectées.
- S'assurer qu'aucune contamination entre différents réfrigérants n'est possible lors de l'utilisation d'un équipement de charge. Les flexibles ou les lignes doivent être aussi courts que possible afin de réduire la quantité de réfrigérant qu'ils

contiennent.

- Les bouteilles doivent être maintenues dans une position appropriée, conforme aux instructions.
- S'assurer que le système frigorifique est relié à la terre avant de charger le système en réfrigérant.
- Étiqueter le système une fois la charge effectuée (si ce n'est pas déjà le cas).
- Faire particulièrement attention de ne pas trop remplir le système frigorifique.
- Avant de recharger le système, il faut y effectuer un test en pression à l'aide du gaz de purge approprié. Le système doit être examiné pour l'absence de fuite en fin de charge, mais avant la mise en service. Un test de fuite de suivi doit être effectué avant de quitter le site

### **Démantèlement**

• Avant d'effectuer une procédure de démantèlement, il est indispensable que le technicien se soit bien familiarisé avec l'équipement et ses caractéristiques. Il est particulièrement recommandé de soigneusement récupérer l'intégralité des réfrigérants. Avant d'effectuer cette tâche, un échantillon d'huile et de réfrigérant doit être récupéré si des analyses s'avèrent nécessaires avant une autre utilisation du réfrigérant récupéré. Il est indispensable de vérifier la présence d'une alimentation électrique avant de débiter la tâche.

1. Se familiariser avec l'équipement et son fonctionnement.
2. Isoler électriquement le système.
3. Avant de débiter la procédure, s'assurer des points suivants :

Un équipement de manutention mécanique est disponible si nécessaire pour manipuler les bouteilles de réfrigérant ;

Tout l'équipement de protection individuelle est disponible et est correctement utilisé ;

Le processus de récupération est suivi à tout moment par une personne compétente ;

L'équipement et les bouteilles de récupération sont conformes aux normes concernées.

4. Évacuer le système frigorifique, si possible.
5. Si un vide ne peut être créé, mettre en place un collecteur afin de pouvoir retirer le réfrigérant depuis divers emplacements sur le système.
6. S'assurer que la bouteille se trouve sur les balances avant de commencer les opérations de récupération.
7. Démarrer la machine de récupération et la faire fonctionner conformément aux instructions.
8. Ne pas trop remplir les bouteilles (pas plus de 80 % du volume en charge liquide).
9. Ne pas dépasser la pression maximale de fonctionnement de la bouteille, même temporairement.
10. Lorsque les bouteilles ont été remplies correctement et que le processus est terminé, s'assurer que les bouteilles et l'équipement sont rapidement retirés du site et que les vannes d'isolement alternatives sur l'équipement sont fermées.
11. Le réfrigérant récupéré ne doit pas être chargé dans un autre système frigorifique, à moins qu'il ait été nettoyé et contrôlé.

### **DÉPANNAGE**

- Toute intervention de brasage devra être réalisée par des braseurs qualifiés.
- Le remplacement de tuyauteries ne pourra être réalisé qu'avec du tube cuivre conforme à la norme NF EN 12735-1.
- Détection de fuites, cas de test sous pression :

Ne jamais utiliser d'oxygène ou d'air sec, risques d'incendie ou d'explosion,

Utiliser de l'azote déshydratée ou un mélange d'azote et de réfrigérant indiqué sur la plaque signalétique,

La pression du test coté basse et haute pression ne doit pas dépasser 42 bars dans le cas où l'appareil est équipé de l'option manomètre.

- Pour les tuyauteries du circuit haute pression réalisées avec du tube cuivre d'un diamètre = ou > à 1''5/8, un certificat §2.1 suivant la norme NF EN 10204 sera à demander au fournisseur et à conserver dans le dossier technique de l'installation.
- Les informations techniques relatives aux exigences de sécurités des différentes directives appliquées, sont indiquées sur la plaque signalétique. Toutes ces informations doivent être enregistrées sur la notice d'installation de l'appareil qui



doit figurer dans le dossier technique de l'installation : modèle, code, numéro de série, TS maximum et minimum, PS, année de fabrication, marquage CE, adresse du fabricant, réfrigérant et poids, paramètres électriques, performances thermodynamique et acoustique.

## ÉTIQUETAGE

- L'équipement doit être étiqueté, mentionnant qu'il a été mis hors service et que le réfrigérant a été vidangé.
- L'étiquette doit être datée et signée.
- Pour les appareils contenant un réfrigérant inflammable, veiller à ce que des étiquettes soient apposées sur l'équipement, indiquant qu'il contient un réfrigérant inflammable.

## RÉCUPÉRATION

- Lors de la vidange du réfrigérant, pour l'entretien ou la mise hors service, il est recommandé de suivre les bonnes pratiques pour vidanger l'intégralité du réfrigérant en toute sécurité.
- Lors du transfert de réfrigérant dans une bouteille, veiller à utiliser une bouteille de récupération adaptée au réfrigérant. Veiller à prévoir le bon nombre de bouteilles pour récupérer l'intégralité du fluide. Toutes les bouteilles à utiliser doivent être conçues pour la récupération de réfrigérant et doivent être étiquetées pour ce réfrigérant spécifique. Les bouteilles doivent être équipées d'une soupape de dépression et de vannes d'arrêt en bon état de fonctionnement. Les bouteilles de récupération vides sont évacuées et, si possible, refroidies avant la récupération.
- L'équipement de récupération doit être en bon état de fonctionnement, les consignes d'utilisation de l'équipement doivent être à portée de main et l'équipement doit être adapté au réfrigérant concerné, y compris, le cas échéant, au réfrigérant inflammable. De plus, un ensemble de balances calibrées doivent être disponibles et en bon état de fonctionnement. Les tuyaux doivent être complets, ne pas présenter de fuite ni de raccord déconnecté, et doivent être en bon état. Avant d'utiliser la machine de récupération, vérifier qu'elle est en bon état de fonctionnement, qu'elle a été bien entretenue et que les composants électriques associés sont étanchéifiés afin d'éviter tout départ de feu en cas de libération de réfrigérant. En cas de doute, consulter le fabricant.
- Le réfrigérant récupéré doit être renvoyé au fournisseur de réfrigérant dans sa bouteille de récupération, avec une note de transfert de déchets. Ne pas mélanger différents fluides frigorigènes dans les unités de récupération, et en particulier dans les bouteilles.
- Si le compresseur est déposé ou que l'huile du compresseur est vidangée, vérifier que le réfrigérant a bien été évacué afin d'éviter qu'il ne se mélange au lubrifiant. Le processus de vidange doit être réalisé avant de renvoyer le compresseur au fournisseur. Seule la chauffe électrique du corps du compresseur peut être utilisée pour accélérer ce processus. Lorsque tous les liquides d'un système sont vidangés, cette opération doit être réalisée en toute sécurité.

## Recyclage



Ce symbole requis par la directive européenne DEEE 2012/19/UE (directive relative aux déchets d'équipements électriques et électroniques) signifie que votre appareil ne doit pas être jeté à la poubelle. Il fera l'objet d'une collecte sélective en vue de sa réutilisation, de son recyclage ou de sa valorisation. S'il contient des substances potentiellement dangereuses pour l'environnement, celles-ci seront éliminées ou neutralisées. Renseignez-vous auprès de votre revendeur sur les modalités de recyclage.

# VSN INVERTER -5°C

## Manuel d'installation et d'utilisation

### Sommaire

1. spécifications
2. dimension
3. installation et connexion
4. accessoires
5. câblage électrique
6. fonctionnement du contrôleur d'affichage
7. dépannage
8. diagramme éclaté
9. entretien

Merci d'avoir choisi notre pompe à chaleur pour chauffer l'eau de votre piscine, elle chauffera l'eau de votre piscine et maintiendra la température constante lorsque la température ambiante de l'air est de -5 à 43 °C



**ATTENTION: Ce manuel comprend toutes les informations nécessaires à l'utilisation et à l'installation de votre pompe à chaleur.**

L'installateur doit lire le manuel et suivre attentivement les instructions de mise en œuvre et d'entretien. Veuillez conserver et transmettre ce manuel pour plus tard tout au long de la durée de vie de l'appareil.

L'installateur est responsable de l'installation du produit et doit suivre toutes les instructions du fabricant et les réglementations en vigueur. Une installation incorrecte par rapport au manuel implique l'exclusion de toute la garantie.

Le fabricant décline toute responsabilité pour les dommages causés aux personnes, aux objets et des erreurs dues à l'installation qui ne respectent pas les instructions du manuel. Toute utilisation non conforme à l'origine de sa fabrication sera considérée comme dangereuse.

# 1. Spécifications

## 1.1 Données techniques

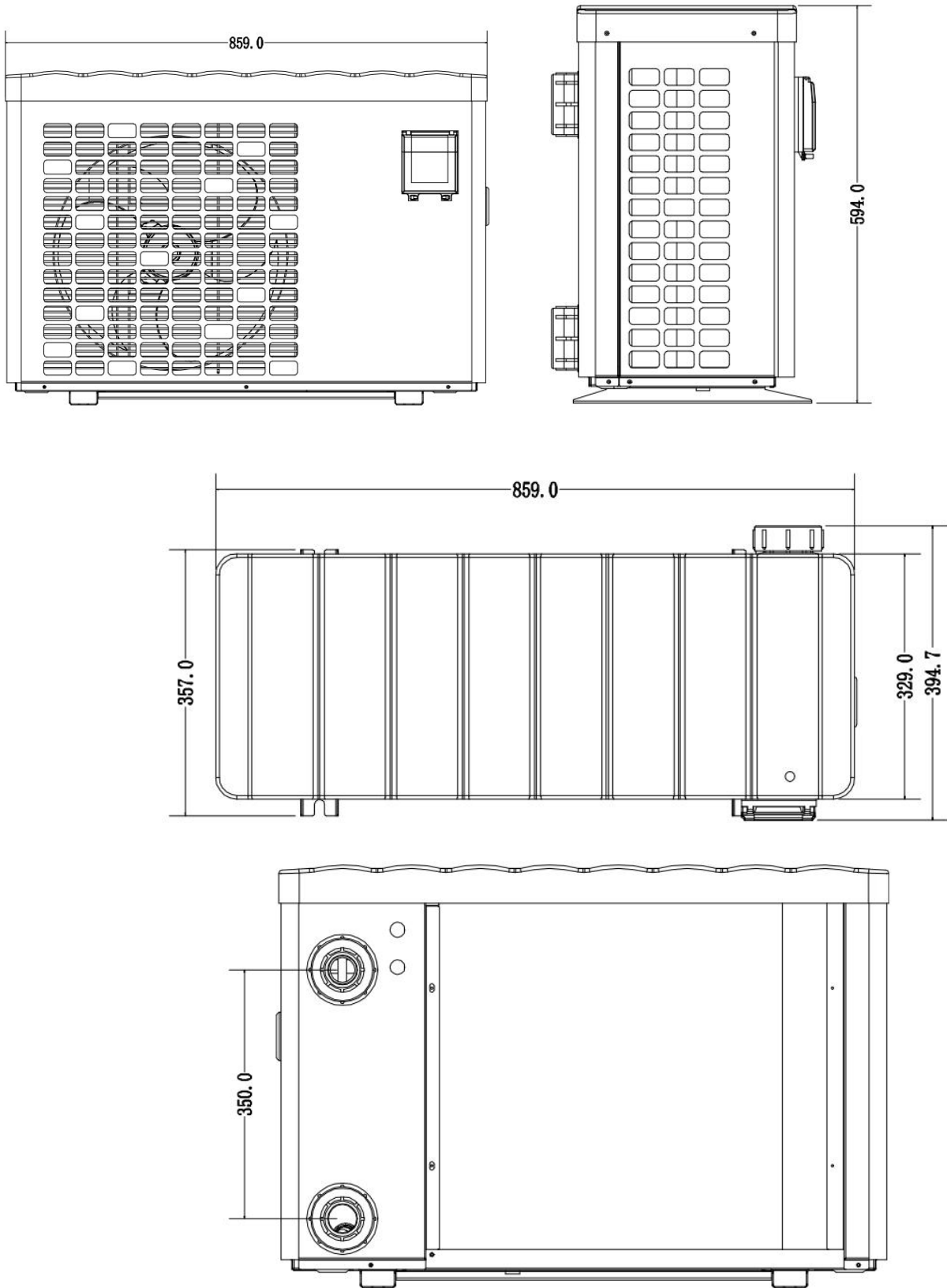
Modèle		74152	74153	74154	74155	74156
Code		VSN-10	VSN-12	VSN-15	VSN-17	VSN-21
<b>* Performances de chauffage à air 28 °C, eau 28 °C, Humidité 80%</b>						
Puissance restituée	kW	10-3.5	12-4.8	15-5	17-5.3	21-4.7
Consommation	kW	1.61-0.43	1.96-0.6	2.5-0.63	2.85-0.66	3.39-0.59
COP		8.5-6.2	8.5-6.1	8.5-6	8.5-6	8.5-6.2
<b>* Performances de chauffage à air 15 °C, eau 26 °C, Humidité 70%</b>						
Puissance restituée	kW	7-2.5	8.5-3.5	10-3.6	12-3.8	15-3.9
Consommation	kW	1.65-0.43	1.98-0.6	2.38-0.62	2.8-0.66	3.5-0.67
COP		5.8-4.2	5.8-4.3	5.8-4.2	5.8-4.3	5.8-4.3
<b>* Informations générales</b>						
Compresseur		Rotary/R32				
Voltage	V	220~240V / 50Hz or 60Hz /1PH				
Courant Nominal	A	7.20	8.70	11.00	11.90	15.00
Fusible Conseillé	A	11.00	13.00	17.00	18.00	23.00
Débit d'eau conseillé mini (m3/h)	m <sup>3</sup> /h	2.80	3.70	4.00	4.60	5.00
Pression d'eau	Kpa	12	14	15	15	18
Echangeur thermique		Echangeur en titane twisté				
Diamètre entrée-sortie	mm	50				
Nombre de ventilateur		1				
Type de ventilation		Horizontal				
Niveau de brut à 10m	dB(A)	28-35	29-37	30-39	30-39	32-41
Niveau de brut à 1m	dB(A)	45-52	46-54	47-56	47-56	49-58
Réfrigérant	g	650	750	950	1100	1500
Équivalent CO2	Tonne	0.44	0.51	0.64	0.74	1.01
<b>* Dimension/ Weight</b>						
Poids net	kg	56.00	68.00	73.00	78.00	98.00
Poids brut	kg	68.00	73.00	78.00	83.00	113.00
Dimension	mm	859*394.7*594	987*418.7*693.5			1074*462.6*894
Dimension d'emballage	mm	890*425*630	1015*445*715			1105*490*920

\* Les données ci-dessus sont sujettes à modification sans préavis.

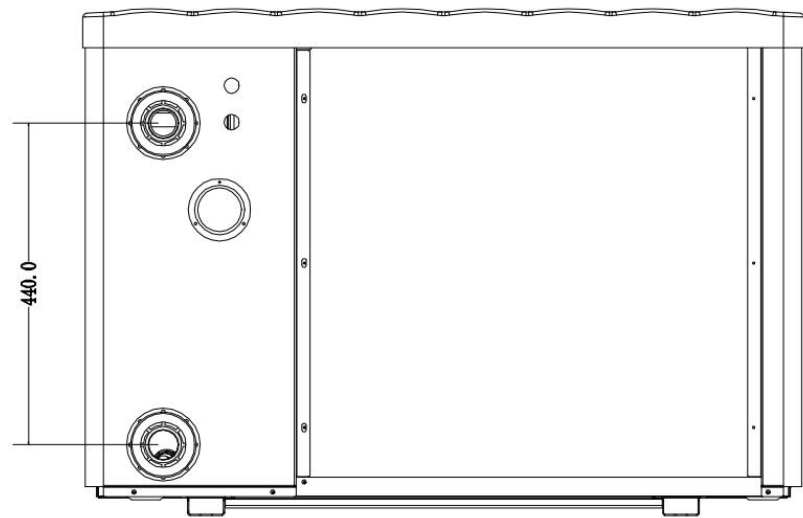
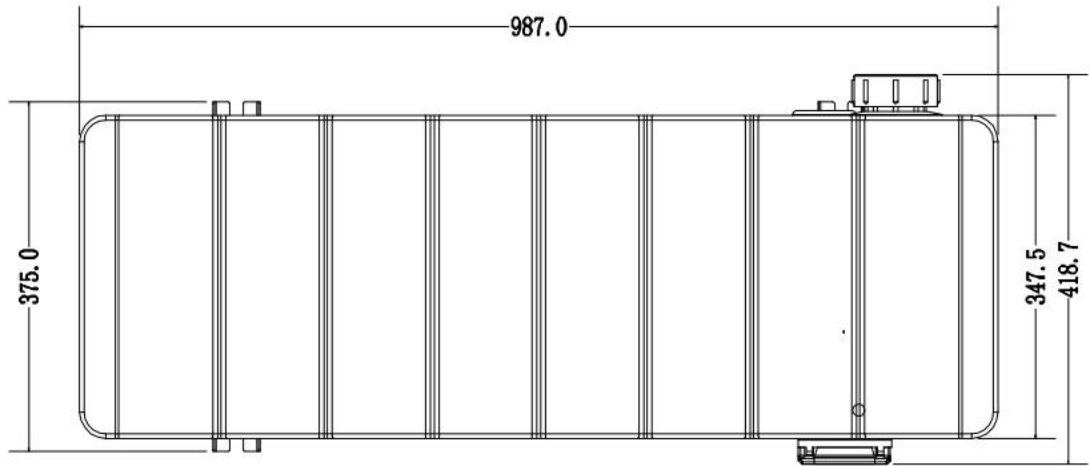
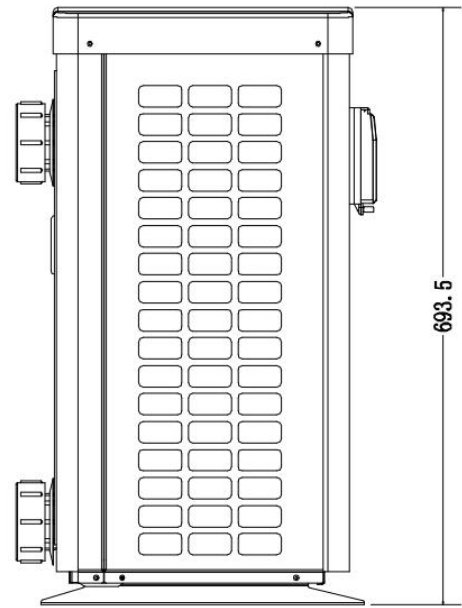
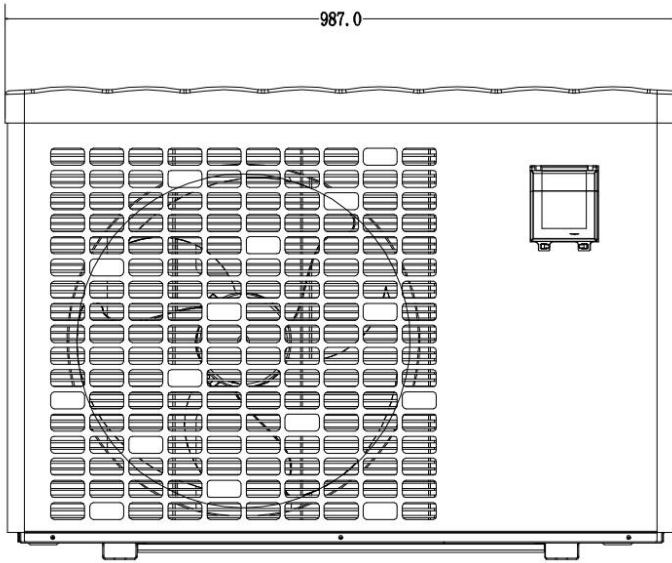
## 2. Dimension

unité : mm

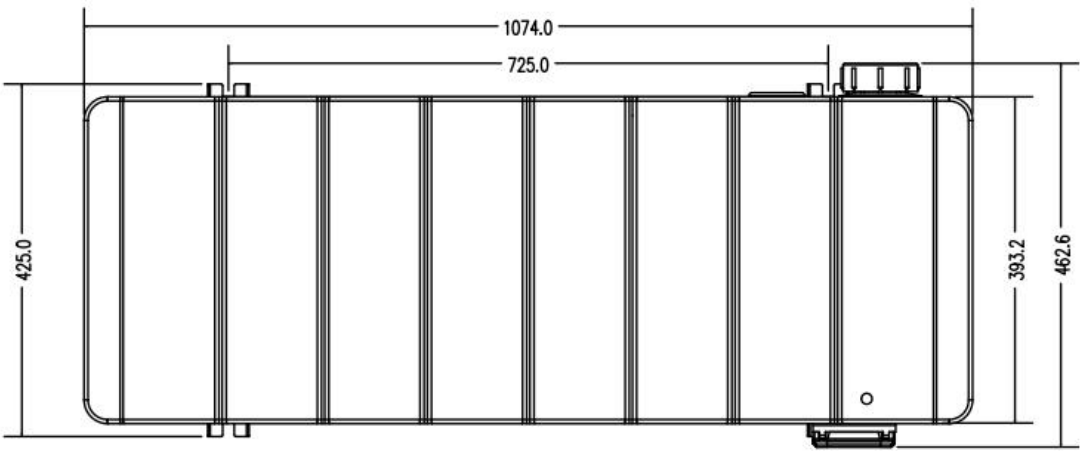
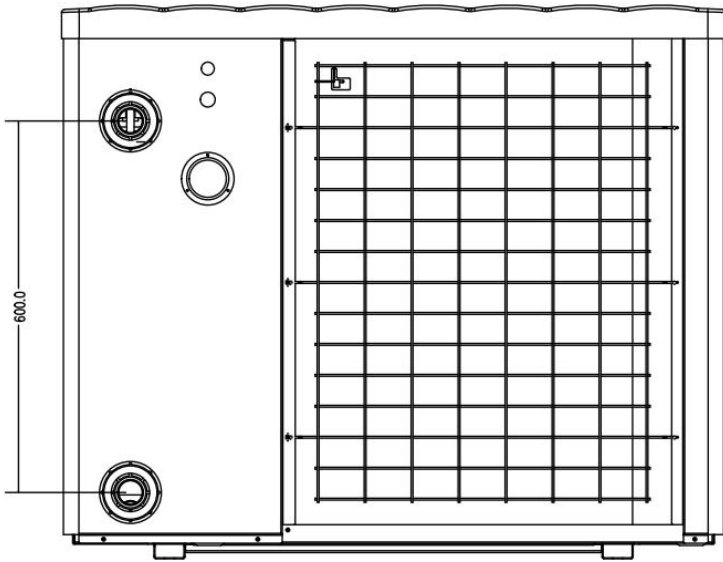
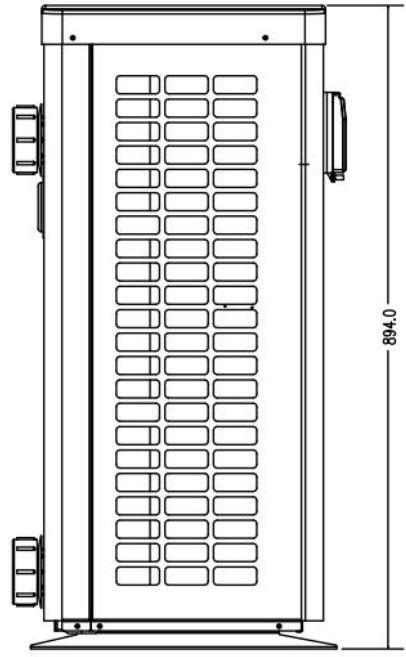
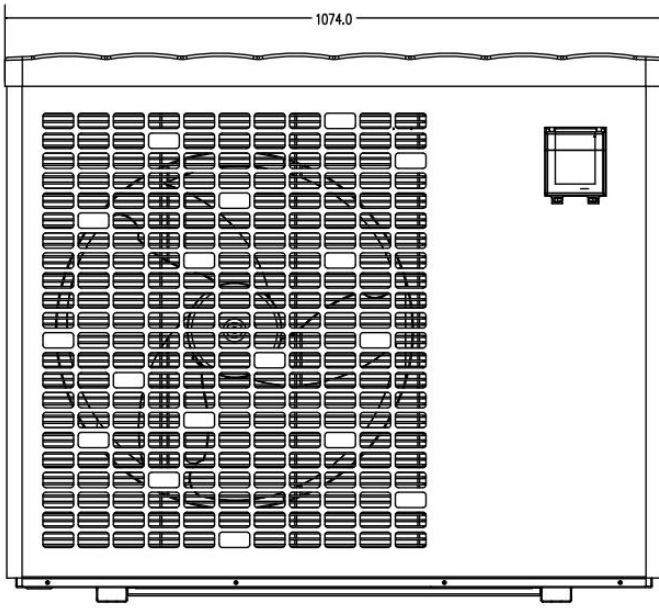
Model:VSN-10



Model: VSN-12 & VSN-15 & VSN-17



Model:VSN-21



### 3. Installation et connexion

#### 3.1 Remarques

L'usine fournit uniquement la pompe à chaleur. Tous les autres composants, y compris une dérivation si nécessaire, doivent être fournis par l'utilisateur ou l'installateur.

#### Attention:

Veillez respecter les règles suivantes lors de l'installation de la pompe à chaleur:

1. Tout ajout de produits chimiques doit avoir lieu dans la tuyauterie située en aval de la pompe à chaleur.
2. Installez une dérivation si le débit d'eau de la pompe de piscine est supérieur de plus de 20% au débit autorisé à travers l'échangeur de chaleur de la pompe à chaleur.
3. Placez toujours la pompe à chaleur sur une base solide et utilisez les supports en caoutchouc inclus pour éviter les vibrations et le bruit.
4. Tenez toujours la pompe à chaleur à la verticale. Si l'unité a été inclinée, attendez au moins 24 heures avant de démarrer la pompe à chaleur.

#### 3.2 Emplacement de la pompe à chaleur

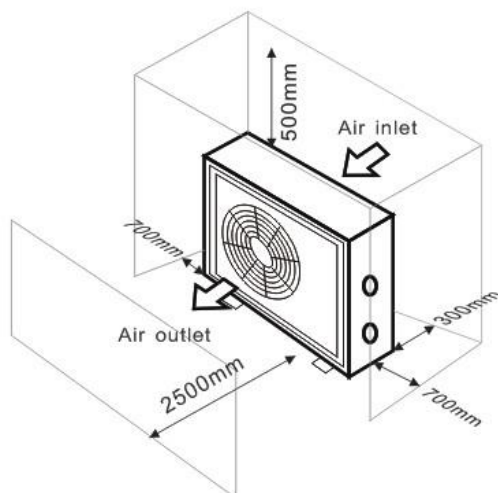
L'unité fonctionnera correctement dans n'importe quel endroit souhaité tant que les trois éléments suivants sont présents:

- 1. Air frais** – **2. Électricité** – **3. Filtres de piscine**

L'unité peut être installée dans pratiquement n'importe quel emplacement extérieur tant que les distances minimales spécifiées par rapport aux autres objets sont respectées (voir le dessin ci-dessous). Veuillez consulter votre installateur pour l'installation avec une piscine intérieure. L'installation dans un endroit venteux ne présente aucun problème, contrairement à la situation avec un appareil de chauffage au gaz (y compris des problèmes de veillesse).

**ATTENTION:** N'installez jamais l'unité dans une pièce fermée avec un volume d'air limité dans lequel l'air expulsé de l'unité sera réutilisé, ou à proximité d'arbustes qui pourraient bloquer l'entrée d'air. De tels emplacements nuisent à l'approvisionnement continu en air frais, ce qui entraîne une efficacité réduite et peut-être empêcher une production de chaleur suffisante.

Voir le dessin ci-dessous pour les dimensions minimales.



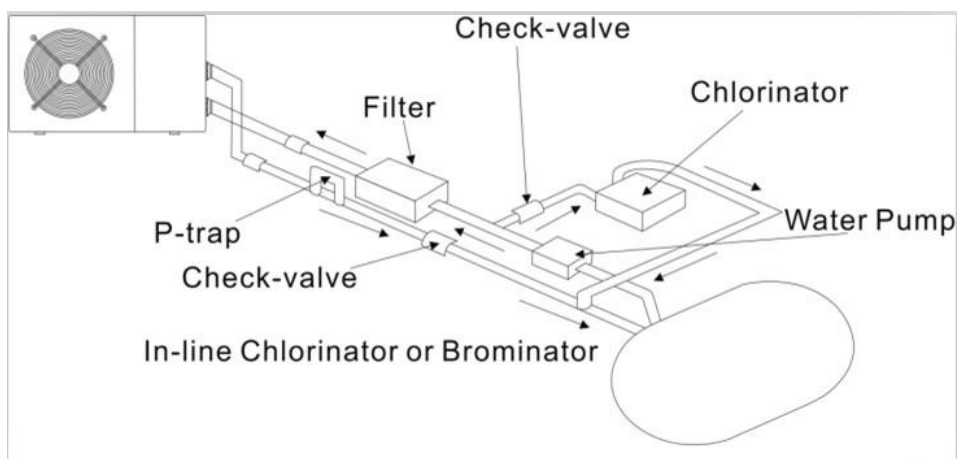
### 3.3 Distance de votre piscine

La pompe à chaleur est normalement installée dans un périmètre s'étendant à 7,5 m de la piscine. Plus la distance de la piscine est grande, plus la perte de chaleur dans les tuyaux est importante. Les canalisations étant principalement souterraines, la perte de chaleur est faible sur des distances allant jusqu'à 30 m (15 m de et vers la pompe; 30 m au total) à moins que le sol ne soit mouillé ou que le niveau des eaux souterraines soit élevé. Une estimation approximative de la perte de chaleur par 30 m est de 0,6 kWh (2 000 BTU) pour chaque différence de 5 °C entre la température de l'eau dans la piscine et la température du sol entourant le tuyau. Cela augmente la durée de fonctionnement de 3% à 5%.

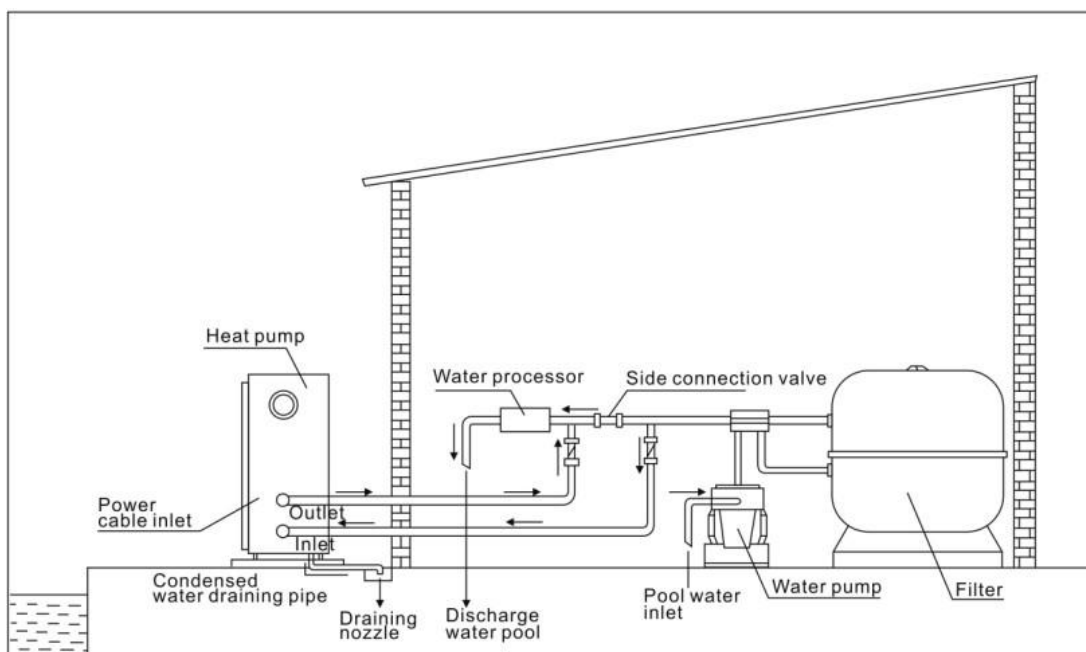
### 3.4 Installation du clapet anti-retour

Remarque: Si un équipement de dosage automatique du chlore et de l'acidité (pH) est utilisé, il est essentiel de protéger la pompe à chaleur contre des concentrations chimiques excessivement élevées qui peuvent corroder l'échangeur de chaleur. Pour cette raison, des équipements de ce type doivent toujours être installés dans la tuyauterie en aval de la pompe à chaleur, et il est recommandé d'installer un clapet anti-retour pour éviter les inversions de débit en l'absence de circulation d'eau.

Les dommages à la pompe à chaleur causés par le non-respect de ces instructions ne sont pas couverts par la garantie.



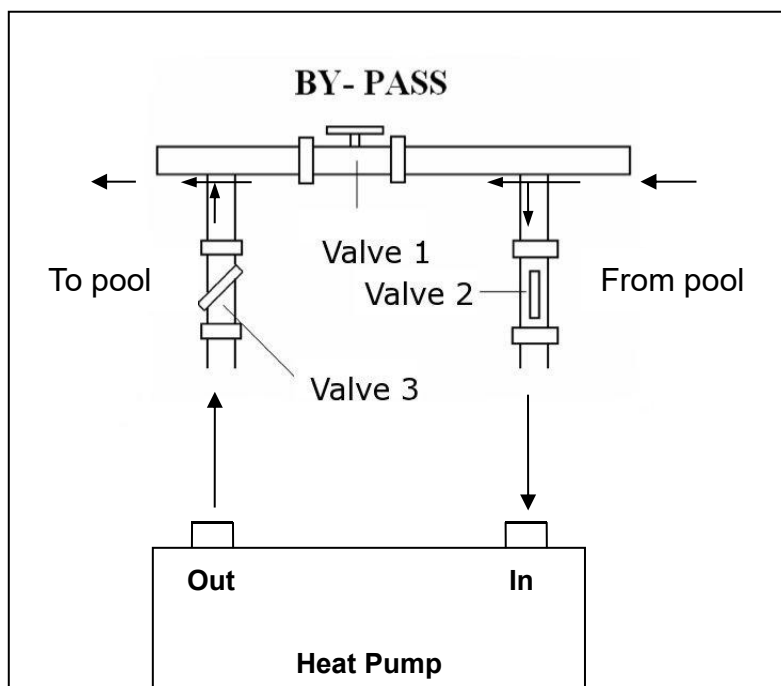
### 3.5 Installation



**Note: Ce montage est un exemple illustratif.**



### 3.6 Réglage du bypass



Utilisez la procédure suivante pour régler la dérivation:

1. Valve 1 grande ouverte. Vanne 2 et vanne 3 fermées.
2. Ouvrez lentement la vanne 2 et la vanne 3 de moitié, puis fermez lentement la vanne 1 pour augmenter le débit d'eau vers la vanne 2 et la vanne 3.
3. S'il indique «ON» ou «EE3» sur l'écran, cela signifie que le débit d'eau dans la pompe à chaleur n'est pas suffisant, alors vous devez ajuster les vannes pour augmenter le débit d'eau à travers la pompe à chaleur.

Comment obtenir le débit d'eau optimal:

Allumez la pompe à chaleur en fonction de chauffage, fermez d'abord le by-pass puis ouvrez-le lentement pour démarrer la pompe à chaleur (la machine ne peut pas démarrer lorsque le débit d'eau est insuffisant).

Continuez à régler le by-pass, en attendant pour vérifier la température de l'eau d'entrée. & La température de l'eau de sortie., Elle sera optimale lorsque la différence est d'environ 2 degrés.

### 3.7 Connexion électrique

**Remarque:** Bien que la pompe à chaleur soit isolée électriquement du reste du système de piscine, cela empêche uniquement la circulation du courant électrique vers ou depuis l'eau de la piscine. La mise à la terre est toujours nécessaire pour la protection contre les courts-circuits à l'intérieur de l'unité. Fournissez toujours une bonne connexion à la terre.

**Attention:** avant toute intervention à l'intérieur de l'appareil, vous devez couper l'alimentation électrique de l'appareil car il existe un risque de choc électrique pouvant entraîner des dommages matériels, des blessures graves voire la mort.

- Des bornes mal serrées peuvent faire chauffer la boîte à bornes, ce qui peut annuler la garantie.
- Seul un technicien qualifié et expérimenté est autorisé à effectuer des travaux de câblage à l'intérieur de l'appareil ou à remplacer le cordon d'alimentation.

Avant de connecter l'unité, vérifiez que la tension d'alimentation correspond à la tension de fonctionnement de la pompe à chaleur.

Il est recommandé de connecter la pompe à chaleur à un circuit avec son propre fusible ou disjoncteur (type lent; courbe D) et d'utiliser un câblage adéquat.

Connectez les fils électriques au bornier marqué «POWER SUPPLY».

Un deuxième bornier marqué «POMPE À EAU» est situé à côté du premier. L'interrupteur de la pompe de filtration (12 V) peut être connecté ici au deuxième bornier. Cela permet de contrôler le fonctionnement de la pompe de filtration par la pompe à chaleur ou le contact extra sec.



### 3.8 Fonctionnement initial

**Remarque: pour chauffer l'eau de la piscine (ou du spa), la pompe de filtration doit être en marche pour que l'eau circule dans la pompe à chaleur. La pompe à chaleur ne démarre pas si l'eau ne circule pas.**

Une fois toutes les connexions effectuées et vérifiées, effectuez la procédure suivante:

1. Allumez la pompe de filtration. Recherchez les fuites et vérifiez que l'eau coule de et vers la piscine.
2. Connectez l'alimentation à la pompe à chaleur et appuyez sur le bouton Marche / Arrêt du panneau de commande électronique. L'unité démarrera après l'expiration du délai.
3. Après quelques minutes, vérifiez si l'air qui sort de l'unité est plus froid.
4. Lorsque vous éteignez la pompe de filtration, l'unité doit également s'éteindre automatiquement, sinon, ajustez l'interrupteur de débit.

En fonction de la température initiale de l'eau de la piscine et de la température de l'air, plusieurs jours peuvent être nécessaires pour chauffer l'eau à la température souhaitée. Une bonne couverture de piscine peut réduire considérablement la durée requise.

#### **Commutateur de débit d'eau:**

Il est équipé d'un interrupteur de débit pour protéger l'unité HP fonctionnant avec un débit d'eau adéquat.

**Temporisation** - La pompe à chaleur dispose d'un délai de démarrage intégré de 3 minutes pour protéger les circuits et éviter une usure excessive des contacts. L'unité redémarrera automatiquement après l'expiration de ce délai. Même une brève coupure de courant déclenchera ce délai et empêchera l'unité de redémarrer immédiatement. Les coupures de courant supplémentaires pendant cette période de retard n'affectent pas la durée de 3 minutes du retard.

### 3.9 Condensation

L'air aspiré dans la pompe à chaleur est fortement refroidi par le fonctionnement de la pompe à chaleur pour chauffer l'eau de la piscine, ce qui peut provoquer de la condensation sur les ailettes de l'évaporateur. La quantité de condensation peut atteindre plusieurs litres par heure à une humidité relative élevée. Ceci est parfois considéré à tort comme une fuite d'eau.

### 3.10 Modes de fonctionnement pour une utilisation optimale



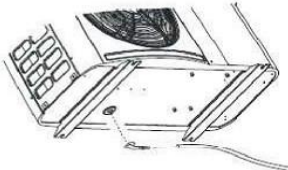
- PUISSANT: Utilisé principalement en début de saison car ce mode permet une montée en température très rapide
- SMART: La pompe à chaleur a terminé sa tâche principale, dans ce mode; la pompe à chaleur est en mesure de maintenir l'eau de la piscine d'une manière économe en énergie. En ajustant automatiquement la vitesse du compresseur et du ventilateur, la pompe à chaleur offre un meilleur retour.
- SILENCIEUX: en été, lorsque la puissance calorifique est minimale, la pompe à chaleur dans ce mode est encore plus rentable. Avantage supplémentaire; lorsque la pompe à chaleur chauffe. Cela va avec une charge sonore minimale.

## 4. Accessoires

### 4.1 Liste des accessoires

		
Patin caoutchouc anti-vibration, qté 4	Connecteur d'évacuation, qté 2	Couvercle de protection, qté 1
		
Couverture d'hivernage, qté 1	tuyaux de drainage, qté 2	Fil de la commande déportée longueur 10m, qté 1

### 4.2 Installation des accessoires et connexions

	<p><b>Patin caoutchouc anti-vibration</b></p> <ol style="list-style-type: none"><li>1. Prenez les patins caoutchoucs</li><li>2. Déposez-les un par un sous les pieds de la machine.</li></ol>
 	<p><b>Connecteur d'évacuation</b></p> <ol style="list-style-type: none"><li>1. Installez le connecteur d'évacuation sous la machine.</li><li>2. Connectez un tuyau d'eau pour évacuer l'eau.</li></ol> <p>Nota : Inclinez légèrement la pompe à chaleur comme sur la photo ci-contre. Ne basculez pas la pompe à chaleur, sinon cela va endommager le compresseur.</p>



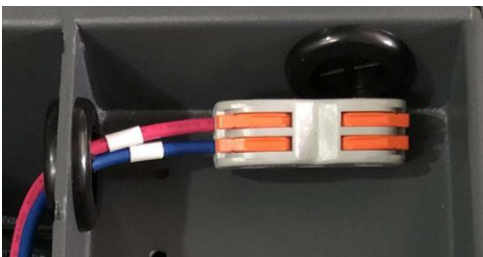
### Connecteurs d'admission et de sortie d'eau

1. Utilisez du ruban téflon pour installer les connecteurs d'admission et de sortie d'eau dans la pompe à chaleur.
2. Installez les raccords comme sur la photo ci-contre
3. Vissez sur l'entrée et la sortie d'eau



### Câble alimentation

1. Ouvrez le couvercle du boîtier électrique
2. Fixez le fil d'alimentation sur les joints L N E



### Câble de la pompe de filtration

1. Ouvrez le couvercle du boîtier électrique
2. Avec les connecteurs 1 et 2, vous pouvez piloter la filtration de l'eau à travers la minuterie de la filtration (contact sec).

## 4.3 Connexion à la pompe de filtration

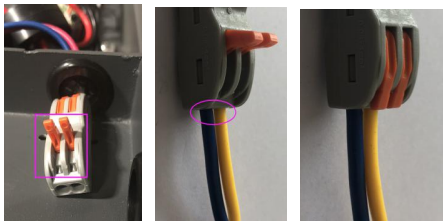


Photo 1

Photo 2

Photo 3

- Ouvrez le bouton vers le haut comme (Photo 1)
- Fixez le câblage à contact sec à travers les deux trous comme (Photo 2 et Photo 4)
- Appuyez sur le bouton et serrez le câblage comme (Photo 3)

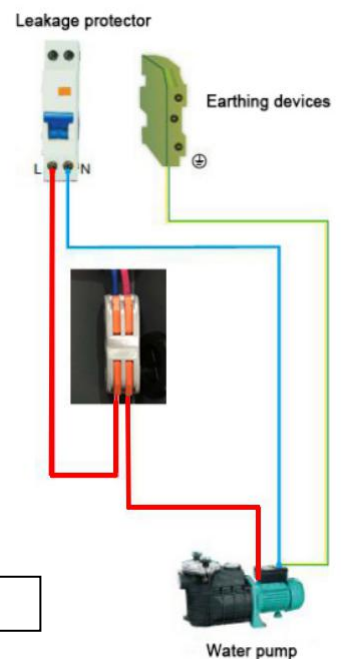
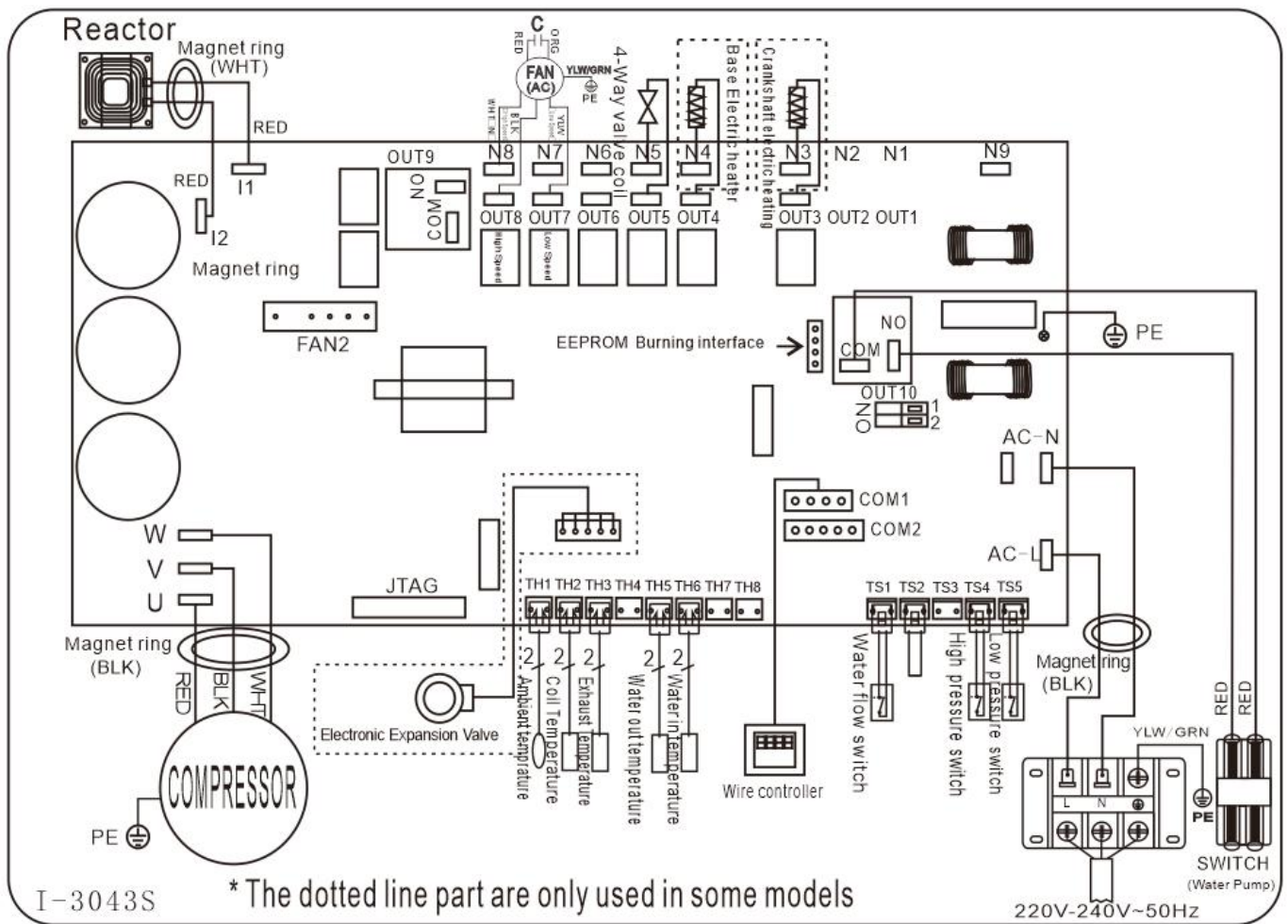


Photo 4

## 5. Câblage électrique

### 5.1 Schéma de câblage de la pompe à chaleur de piscine

VSN-10 / VSN-12 / VSN-15 / VSN-17 / VSN-21



#### REMARQUE:

(1) Ci-dessus le schéma de câblage électrique uniquement à titre de référence, veuillez soumettre la machine à afficher le schéma de câblage.

(2) La pompe à chaleur de la piscine doit être bien connectée au fil de terre, bien que l'échangeur de chaleur de l'unité soit isolé électriquement du reste de l'unité. La mise à la terre de l'unité est toujours nécessaire pour vous protéger contre les courts-circuits à l'intérieur de l'unité. .

(3) Il est recommandé que votre pompe de filtration de piscine et votre thermopompe soient câblées indépendamment.

Le câblage de votre pompe de piscine dans la pompe à chaleur entraînera l'arrêt de votre filtration une fois l'eau de la piscine a atteint la température.

Ne câblez la pompe de piscine à travers la pompe à chaleur que si vous avez une pompe de piscine pour le chauffage uniquement indépendante du système de filtration de votre piscine.

## 5.2 Installation de la commande déportée

Photo(1)



Photo(2)



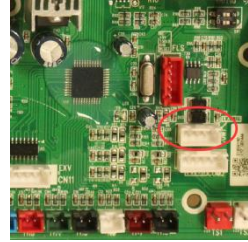
Photo(3)



Photo(4)



Photo(5)



1. Raccordez le fil du signal, avec le contrôleur sur les broches (photos 1 et 2).
2. Passez le fil au travers du bloc de raccordement (photos 3 et 4).
3. Ensuite connecter sur la carte électronique (photo 5).

## 6. Fonctionnement du contrôleur d'affichage


### 6.1 Les boutons du contrôleur de fil LED




A la mise sous tension de la machine, l'écran affiche pendant 3 secondes le code qui indique le Mode de la pompe à chaleur.


#### Démarrer ou arrêter la pompe à chaleur

6.1.1 Touche 

**Appuyez sur**  pour démarrer la pompe à chaleur, l'écran LED affichera la température d'eau demandé pendant 5 secondes, ensuite affichage de la température d'arrivée d'eau.

**Appuyez sur**  pour arrêter la pompe à chaleur, l'unité s'arrête et l'écran affiche « OFF »

Attention : Après toute mise à jour, appuyez sur  pour sauvegarder la consigne et sortir du Mode réglage.

Appuyez sur  pour arrêter / démarrer la pompe à chaleur.



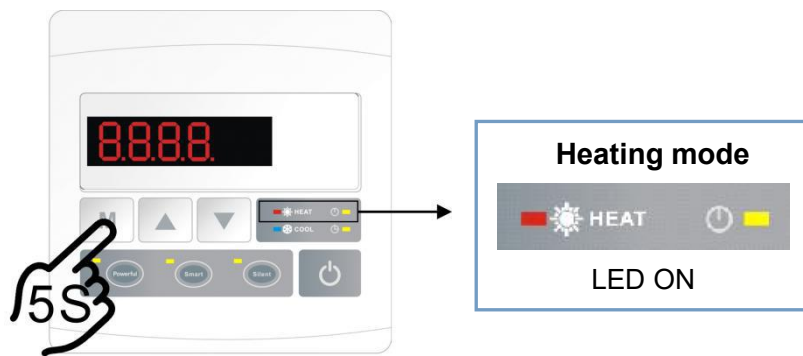
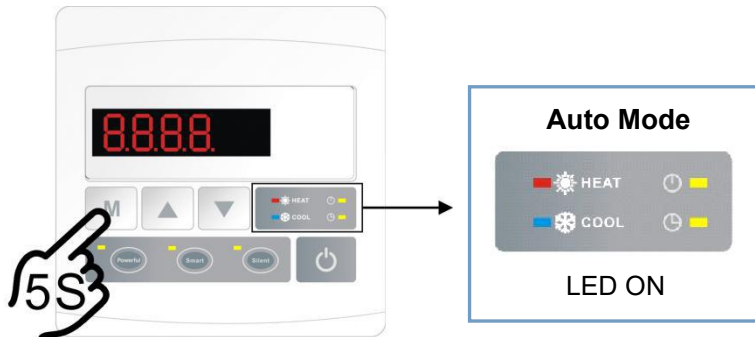
### 6.1.2 Touche



Choix du mode de fonctionnement, Chauffage, Auto mode (chauffage et refroidissement), Refroidissement.

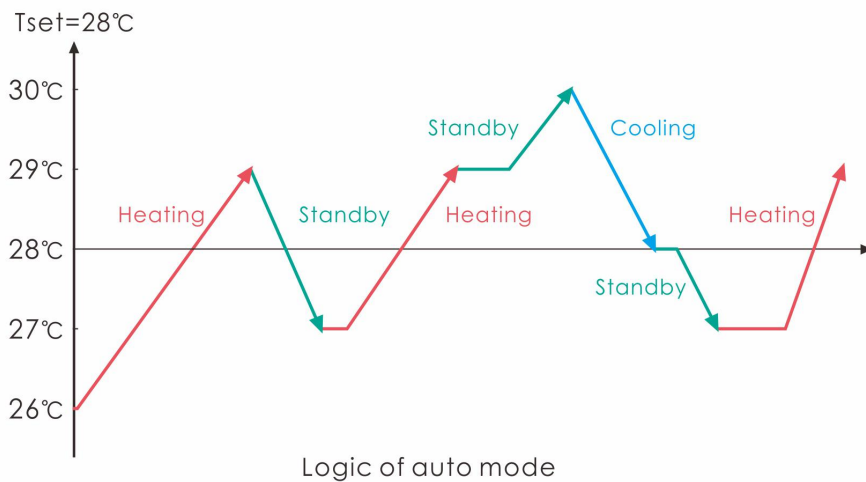


Appuyez sur pendant 5 secondes, pour changer de mode, pompe à chaleur a l'arrêt ou en fonctionnement.





### Logique de fonctionnement du mode <Auto mode>



Fonctionnement du mode automatique Auto Mode (basculement chaud/froid)



### 6.1.3 Touche et

Appuyez sur  et  pendant 5 secondes pour débloquer la commande.

#### Réglage de la température de l'eau :

Appuyez sur  et  pour sélectionner la température souhaitée

#### Comment vérifier les paramètres.

Appuyez sur  ensuite appuyez sur  afin de vérifier les paramètres (de d0 à d14).

Paramètres	Signification	Amplitude	Remarques
d0	IPM température	0-120°C	Valeur test exact par défaut
d1	Température de l'eau d'arrivée	-9°C~99°C	Valeur test exact par défaut
d2	Température de l'eau en sortie	-9°C~99°C	Valeur test exact par défaut
d3	La température ambiante	-30°C~70°C	Valeur test exact par défaut
d4	Code de limitation de fréquence de fonctionnement	0,1,2,4,8,16	Valeur test exact par défaut
d5	Température du circuit	-30°C~70°C	Valeur test exact par défaut
d6	Température d'échappement du gaz	0°C~C5°C (125°C)	Valeur test exact par défaut
d7	Position du moteur pas à pas	0~99	N*5
d8	Fréquences de fonctionnement du compresseur	0~99Hz	Valeur test exact par défaut
d9	Intensité du compresseur	0~30A	Valeur test exact par défaut
d10	Intensité du ventilateur	0-1200 (rpm)	Valeur test exact par défaut
d11	Code erreur multiple	Code erreur multiple	

**Remarque :** d4 code de limitation de fréquence,

0 : Aucune limite de fréquence,

1 : Limite de température la bobine,



2 : Limite de fréquence de surchauffe ou de sur refroidissement,

4 : Pilotage par la limite de fréquence actuelle,




8 : Pilotage par la limite de fréquence en tension de sortie,






16 : Pilotage par la limite de fréquence de haute température



Appuyez sur  ensuite appuyez sur  afin de vérifier et ajuster les paramètres (de P1 à P7, voir les illustrations en dessous).

Ajustement des paramètres, ci-nécessaires.



Appuyez sur  pendant 5 secondes, ensuite appuyez sur  ou  afin de choisir le paramètre.

Exemple ; Appuyez sur  pendant 5 secondes, ensuite appuyez sur  ou  afin de choisir le paramètre P7, ensuite appuyez sur  ou  pour appliquer la correction (-9~9).

Paramètres	Signification	Amplitude	Défaut	Remarques
P0	Dégivrage	0-1	1	Mode 0 mode normal / Mode 1 dégivrage
P1	Mode de fonctionnement	0-1	1	Mode 1 chauffage / Mode 0 refroidissement
P2	Arrêt / Marche de l'horloge	0-1	0	Mode 1 l'horloge d'arrêt et de Marche sont programmé, Mode 0 l'horloge et hors fonction (les paramètres P5 à P6 ne sont pas actifs)
P3	Pilotage de la pompe filtration	0-1	0	Mode 1 toujours en fonctionnement, Mode 0 dépend du fonctionnement du compresseur
P4	Horaire	HH:MM	00: 00	<u>0-23:0-59</u>
P5	Heure démarrage	HH:MM	00: 00	<u>0-23:0-59</u>
P6	Heure d'arrêt	HH:MM	00: 00	<u>0-23:0-59</u>
P7	Calibrage de la température d'eau	-9~9	0	Par défaut : 0

#### 6.1.4 Retour aux paramètres d'usines

##### Retour aux paramètres d'usines

Appuyez sur  et  en même temps pendant 10 secondes pour revenir aux paramètres d'usines, le Display affiche « 0000 » pendant 5 secondes.

#### 6.1.5 Mode chauffage



La LED est éclairée en Mode chauffage et clignote lorsque la pompe passe en mode dégivrage.

#### 6.1.6 Mode refroidissement



La LED est éclairée en Mode refroidissement.

**Note: Quand le paramètre P1 est en cours d'ajustement,  et  clignotent.**

### 6.1.7 Mode arrêt automatique



Le symbole d'arrêt programmé s'affiche quand le mode est actif.

### 6.1.8 Mode démarrage automatique



Le symbole de démarrage programmé s'affiche quand le mode est actif

### 6.1.9 Mode Powerful



Appuyez sur ce bouton, la LED s'éclaire et le mode Powerful est actif.

Si vous choisissez Power, la pompe à chaleur fonctionne en Powerful.

### 6.1.10 Mode Smart



Appuyez sur ce bouton, la LED s'éclaire et le mode Smart est actif.

Par défaut la pompe est réglée d'usine en Mode Smart.

Si vous choisissez Smart, la pompe à chaleur fonctionne de Smart à Power.

La LED Smart s'éclaire et la LED Power clignote en fonctionnement Power

### 6.1.11 Mode Silent



Appuyez sur ce bouton, la LED s'éclaire et le mode Silent est actif.

Si vous choisissez Silent, la pompe à chaleur fonctionne de Silent à Smart.

La LED Silent s'éclaire et la LED Smart clignote en fonctionnement Smart

## 6.2 Logique en mode chauffage

Statut de travail		Mode travail	Température de l'eau -T1	Exemple, L'eau en température -T1	Niveau de travail pompe à chaleur
1	Mise en route de la pompe à chaleur	Lorsque vous sélectionnez le "mode Smart "	$T1 < Tset-1$	$T1 < 27^{\circ}\text{C}$	Mode Powerful -fréquence F9
2			$Tset-1 \cong T1 < Tset$	$27^{\circ}\text{C} \cong T1 < 28^{\circ}\text{C}$	Fréquence: F9 -F8-F7,...,-F2
3			$Tset \cong T1 < Tset+1$	$28^{\circ}\text{C} \cong T1 < 29^{\circ}\text{C}$	Mode Silent-fréquence F2
4			$T1 \cong Tset+1$	$T1 \cong 29^{\circ}\text{C}$	La pompe à chaleur sera en veille et cessera de fonctionner jusqu'à ce que l'eau atteigne une température inférieure à 28°C.
5		Lorsque vous sélectionnez le "mode Silent"	$T1 < Tset$	$T1 < 28^{\circ}\text{C}$	Mode Smart -fréquence F5.
6			$Tset \cong T1 < Tset+1$	$28^{\circ}\text{C} \cong T1 < 29^{\circ}\text{C}$	Mode Silent-fréquence F2/F1.

7			$T1 \geq T_{set}+1$	$T1 \geq 29^{\circ}\text{C}$	La pompe à chaleur sera en veille et cessera de fonctionner jusqu'à ce que l'eau atteigne une température inférieure à $28^{\circ}\text{C}$ .
8			$T1 < T_{set}+1$	$T1 < 29^{\circ}\text{C}$	Mode Powerful-fréquence F10/F9
9		Lorsque vous sélectionnez le "mode Powerful"	$T1 \geq T_{set}+1$	$T1 \geq 29^{\circ}\text{C}$	La pompe à chaleur sera en veille et cessera de fonctionner jusqu'à ce que l'eau atteigne une température inférieure à $28^{\circ}\text{C}$ .
10	Redémarrage pour chauffer de l'eau après le mode veille	Lorsque la pompe à chaleur fonctionne en "mode Smart"	$T1 \geq T_{set}$	$T1 \geq 28^{\circ}\text{C}$	Prêt à fonctionner
11			$T_{set} > T1 \geq T_{set}-1$	$28^{\circ}\text{C} > T1 \geq 27^{\circ}\text{C}$	Silent-fréquence F2
12			$T_{set}-1 > T1 \geq T_{set}-2$	$27^{\circ}\text{C} > T1 \geq 26^{\circ}\text{C}$	Fréquence : F2 -F3-F4,...,-F9
13			$< T_{set}-2$	$< 26^{\circ}\text{C}$	Powerful-fréquence F9
14		Lorsque la pompe à chaleur fonctionne en "mode Silent"	$\geq T_{set}$	$\geq 28^{\circ}\text{C}$	Prêt à fonctionner
15			$T_{set} > T1 \geq T_{set}-1$	$28^{\circ}\text{C} > T1 \geq 27^{\circ}\text{C}$	Silent mode-fréquence F2/F1
16			$T1 < T_{set}-1$	$T1 < 27^{\circ}\text{C}$	Smart -fréquence F5
17			$T1 < T_{set}-1$	$T1 < 27^{\circ}\text{C}$	Powerful -fréquence F10/F9

### 6.3 Logique en mode refroidissement

Statut de travail	Mode travail	L'eau en température-T1	Par exemple, L'eau en température-T1	Niveau de travail pompe à chaleur	
1	Lorsque vous sélectionnez le "mode Smart "	$T1 \geq T_{set}-1$	$T1 \geq 27^{\circ}\text{C}$	Etre prêt	
2		$T_{set}-1 < T1 \leq T_{set}$	$27^{\circ}\text{C} < T1 \leq 28^{\circ}\text{C}$	Mode Silent-fréquence F2	
3		$T_{set} < T1 \leq T_{set}+1$	$28 < T1 \leq 29^{\circ}\text{C}$	Fréquence: F9 -F8-F7,...,- F2	
4		$T1 \geq T_{set}+1$	$T1 \geq 29^{\circ}\text{C}$	Mode Powerful-F9	
5	Lorsque vous sélectionnez le "mode Silent"	$T1 \geq T_{set}-1$	$\leq 27^{\circ}\text{C}$	Etre prêt	
6		$T_{set}-1 < T1 \leq T_{set}$	$27^{\circ}\text{C} < T1 \leq 28^{\circ}\text{C}$	Mode Silent - fréquence F2/F1	
7		$T1 > T_{set}$	$T1 > 28^{\circ}\text{C}$	Mode Smart -fréquence F5	
8	Lorsque vous sélectionnez le "mode Powerful"	$T1 > T_{set}-1$	$T1 > 27^{\circ}\text{C}$	Mode Powerful-fréquence F10/F9	
9		$T1 \geq T_{set}-1$	$T1 \geq 27^{\circ}\text{C}$	Prêt à fonctionner	
10	Redémarrage pour refroidir	Smart	$T1 \geq T_{set}-1$	$T1 \geq 27^{\circ}\text{C}$	Prêt à fonctionner
11			$T_{set} \leq T1 < T_{set}+1$	$28 \leq T1 < 29^{\circ}\text{C}$	Silent- fréquence F2

12	de l'eau après le mode veille		$T_{set+1} \cong T1$ $< T_{set+2}$	$29 \cong T1 < 30^{\circ}C$	Fréquence : F2 -F3-F4,...,- F9
13			$T1 \cong T_{set+2}$	$T1 \cong 30^{\circ}C$	Mode Powerful-fréquence F9
14		Silent	$T_{set} < T1 \cong T_{set+1}$	$28 < T1 \cong 29^{\circ}C$	Mode Silent-fréquence F2/F1
15			$T1 > T_{set+1}$	$T1 > 29^{\circ}C$	Mode Smart-fréquence F5
16		Powerful	$T1 > T_{set+1}$	$T1 > 29^{\circ}C$	Mode Powerful-fréquence F10/F9
17			$T1 \cong T_{set-1}$	$T1 \cong 27^{\circ}C$	Prêt à fonctionner

#### 6.4 Priorité chauffage se référer (paragraphe 6.4), option de fonctionnement

##### Option 1 ; P3=0 La pompe de filtration démarre et s'arrête en fonction de la pompe à chaleur.

La pompe de filtration démarre 60 secondes avant le compresseur, la pompe de filtration démarre 30 secondes et actionne le détecteur de débit d'eau. Lorsque la pompe à chaleur passe en mode veille, la pompe de filtration s'arrête 5 minutes après l'arrêt du compresseur.

	Etat	Exemple	Logique de pilotage de la filtration	
Mode de chauffage	P3=0, $T1 \geq T_{set}-0.5^{\circ}C$ , pendant une durée de 30 minutes	P3=0, $T1 \geq 27.5^{\circ}C$ , pendant une durée 30 minutes	1. La pompe de filtration entrera en mode veille et ne redémarrera pas avant 1 heure, sauf coupure de l'alimentation et redémarrage.	2. Une heure après, la filtration démarre à nouveau pour 5 minutes. Si $T1 \leq 27^{\circ}C$ , la pompe à chaleur fonctionne jusqu'à $T1 \geq 27.5^{\circ}C$ et s'arrête alors pour une durée de 30 minutes.
Mode de refroidissement	P3=0, $T1 \leq T_{set}+0.5^{\circ}C$ , pendant une durée de 30 minutes	P3=0, $T1 \leq 28.5^{\circ}C$ , pendant une durée de 30 minutes	1. La pompe de filtration entrera en mode veille et ne redémarrera pas avant 1 heure, sauf coupure de l'alimentation et redémarrage.	2. Une heure après, la filtration démarre à nouveau pour 5 minutes. Si $T1 \geq 29^{\circ}C$ , la pompe à chaleur fonctionne jusqu'à $T1 \leq 28.5^{\circ}C$ et s'arrête alors pour une durée de 30 minutes.

##### Option 2 ; P3=1 la filtration est toujours active, P2=0 l'horloge non active

Avec la condition P3=1, quand  $T1 \geq T_{set}+1^{\circ}C$  est atteint pendant 3 minutes, la pompe à chaleur s'arrête et la filtration continue d'être activé.

##### Sous l'option 2, avec activation de l'horloge ; P2=1 nous allons démarrer et arrêter la pompe de filtration en fonction de la programmation de P4 (horloge), P5 (heure de démarrage), P6 (heure d'arrêt)

##### Condition pour que la pompe à chaleur démarre, horloge ON active ;

Quand l'horloge atteint l'heure de démarrage, la pompe de filtration démarre 5 minutes avant la pompe à chaleur. Elle reste à l'arrêt si la température de l'eau est  $\geq T_{set}+1$ , avant que l'horloge soit atteint son heure d'arrêt, la pompe de filtration reste active jusqu'à l'atteinte de l'heure d'arrêt.

##### Condition pour que la pompe à chaleur s'arrête, horloge OFF active ;

Quand l'horloge atteint l'heure d'arrêt, la pompe à chaleur s'arrête et 5 minutes après la pompe de filtration s'arrête.

**NB** ; La LED du symbole de démarrage  , s'affiche quand le mode est actif, le symbole d'arrêt  ,

s'affiche quand le mode est actif. En d'hors des heures l'écran affiche **OFF**.

**Si action sur ON/OFF la pompe de filtration démarre et s'arrête en fonction.**

**Remarques :**

Tset = régler la température de l'eau, par exemple : Tset = 28°C température de l'eau souhaitez de la piscine

Tset - 0.5 = moins de 0.5°C de la température de consigne, Tset -0.5 = 28-0.5 = 27.5°C

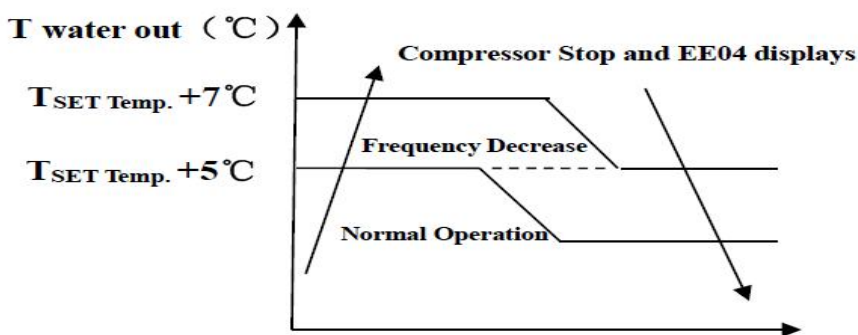
Tset + 0.5 = plus de 0.5°C de la température de consigne, Tset + 0.5 = 28+0.5=28.5°C

**6.5 Protection de la machine**

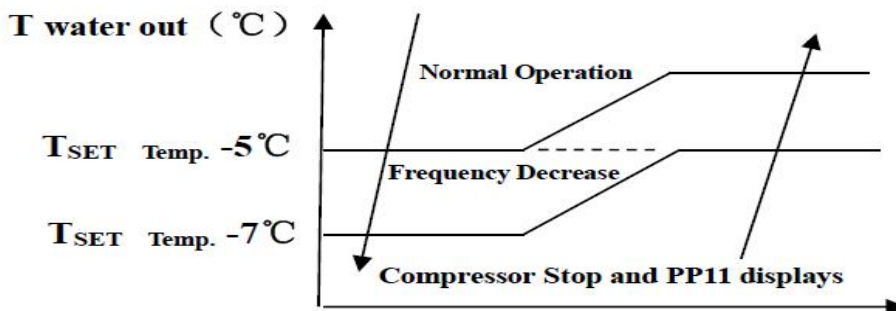
**Remarques :**

1. En mode chauffage, si la température de sortie d'eau est supérieure à la température réglée de 7°C, le contrôleur affiche EE04 protection contre la surchauffe de l'eau.

2. En mode de refroidissement, si la température de sortie d'eau est inférieure à la température réglée de 7°C, le contrôleur affiche PP11 pour la protection contre le refroidissement excessif de l'eau.



**EE04 En mode chauffage, défaut surchauffe température (d2-TH5)**



**PP11 d2-TH5 Température de l'eau trop froide protection en mode refroidissement**

Par exemple comme ci-dessous :

Mode	Température d'eau	Température de consigne	État	Mauvais fonctionnement
Mode de chauffage	36°C	29°C	T de l'eau $\geq 7^\circ\text{C}$ par rapport à la T désiré	EE04 En mode chauffage, défaut surchauffe température (d2-TH5)
Mode de refroidissement	23°C	30°C	$7^\circ\text{C} \geq T$ de l'eau par rapport à la T désirée	PP11 d2-TH5 Température de l'eau est trop froide protection en mode refroidissement

## 7. Guide de dépannage

### 7.1 Code d'erreur affichée sur le tableau de commande

Dysfonctionnement	Code d'erreur	Raison	Solutions
Défaillance du capteur de température d'eau arrivée d1-TH6	PP01	1. Raccordement défaillant 2. Capteur en court-circuit ou défectueux	1. Connecter correctement 2. Vérifiez les valeurs où remplacer le capteur
Défaillance du capteur de température d'eau sortie d2-TH5	PP02	1. Raccordement défaillant 2. Capteur en court-circuit ou défectueux	1. Connecter correctement 2. Vérifiez les valeurs où remplacer le capteur
Défaillance du capteur de condenseur de chauffage d5-TH2	PP03	1. Raccordement défaillant 2. Capteur en court-circuit ou défectueux	1. Connecter correctement 2. Vérifiez les valeurs où remplacer le capteur
Défaillance du capteur de température ambiante d3-TH1	PP05	1. Raccordement défaillant 2. Capteur en court-circuit ou défectueux	1. Connecter correctement 2. Vérifiez les valeurs où remplacer le capteur
Défaillance du capteur de condenseur de refroidissement d6-TH3	PP06	1. Raccordement défaillant 2. Capteur en court-circuit ou défectueux	1. Connecter correctement 2. Vérifiez les valeurs où remplacer le capteur
Protection antigel du premier niveau en hiver	PP07	La température ambiante ou la température d'eau arrivée est trop faible vérifier d3 et d1	Protection automatique antigel du premier niveau
Protection de température ambiante trop basse	PP08	1. La température ambiante trop faible, vérifier d3 2. Capteur en court-circuit ou défaillant d3-TH1	1. Vérifier la température 2. Changer le capteur
Protection haute pression TS4	EE01	1. Température ambiante trop haute 2. Température de l'eau trop haute	1. Vérifier le by-pass et le débit d'eau 2. Vérifier le ventilateur 3. Vérifier le gaz
Protection basse pression	EE02	1. Réfrigérant ne suffit pas 2. Le débit d'eau n'est pas suffisant 3. Filtre ou vanne électronique bloqué	1. Vérifiez s'il y a des fuites de gaz, reemplissez le réfrigérant 2. Nettoyez l'échangeur d'air 3. Vérifier la charge en gaz

<b>Dysfonctionnement</b>	<b>Code d'erreur</b>	<b>Raison</b>	<b>Solutions</b>
Protection débit d'eau	EE03 or "ON"	<ol style="list-style-type: none"> <li>1. Le débit d'eau n'est pas suffisant, filtre ou vanne bloqué</li> <li>2. Détecteur de débit défaillant</li> <li>3. Interrupteur de flux mal monté.</li> </ol>	<ol style="list-style-type: none"> <li>1. Vérifier si le débit est suffisant</li> <li>2. Changer le détecteur de débit</li> <li>3. Vérifier la position du commutateur de débit en fonction du sens d'écoulement de l'eau.</li> </ol>
En mode chauffage, défaut surchauffe température (d2-TH5)	EE04	<ol style="list-style-type: none"> <li>1. Le débit d'eau n'est pas suffisant, filtre ou vanne bloqué</li> <li>2. Détecteur de débit défaillant</li> <li>3. La valeur du capteur d2-TH5 est anormale</li> </ol>	<ol style="list-style-type: none"> <li>1. Vérifier si le débit est suffisant</li> <li>2. Changer le détecteur de débit</li> <li>3. Remplacer le capteur d2-TH5</li> </ol>
Protection température d'échappement d6-TH3	EE05	<ol style="list-style-type: none"> <li>1. Réfrigérant ne suffit pas</li> <li>2. Le débit d'eau n'est pas suffisant</li> <li>3. Filtre ou vanne électronique bloqué</li> <li>4. Défaut sonde d6-TH3</li> </ol>	<ol style="list-style-type: none"> <li>1. Vérifiez s'il y a des fuites de gaz, re remplissez le réfrigérant</li> <li>2. Vérifier le By-pass</li> <li>3. Vérifier la charge en gaz</li> <li>4. Vérifier la sonde d6-TH3</li> </ol>
Défaut contrôleur	EE06	<ol style="list-style-type: none"> <li>1. Le raccordement est défaillant</li> <li>2. Le contrôleur est défaillant</li> </ol>	<ol style="list-style-type: none"> <li>1. Vérifiez la connexion</li> <li>2. Vérifier changer le câble</li> <li>3. Arrêt / Marche de la machine</li> <li>4. Vérifier changer le contrôleur</li> </ol>
Protection du compresseur	EE07	<ol style="list-style-type: none"> <li>1. Vérifiez la connexion</li> <li>2. Vérifier le raccordement</li> <li>3. Accumulation liquide et gaz</li> <li>4. Compresseur ou carte électronique défaillant</li> <li>5. débit d'eau anormal</li> <li>6. Fluctuation alimentation électrique</li> </ol>	<ol style="list-style-type: none"> <li>1. Vérifiez le compresseur</li> <li>2. Vérifier les 3 phases</li> <li>3. Les tensions d'alimentation</li> <li>4. Vérifier les phases</li> <li>5. Vérifier le débit d'eau</li> <li>6. Vérifier le réseau électrique</li> </ol>
Défaillance de communication entre le contrôleur et la carte de puissance	EE08	<ol style="list-style-type: none"> <li>1. Le raccordement est défaillant</li> <li>2. Le contrôleur est défaillant</li> </ol>	<ol style="list-style-type: none"> <li>1. Vérifiez la connexion</li> <li>2. Vérifier changer le câble</li> <li>3. Vérifier changer le contrôleur</li> </ol>
Défaillance de communication entre le contrôleur et la carte de commande	EE09	<ol style="list-style-type: none"> <li>1. Le raccordement est défaillant</li> <li>2. Le contrôleur est défaillant</li> </ol>	<ol style="list-style-type: none"> <li>1. Vérifiez la connexion</li> <li>2. Vérifier changer le câble</li> </ol>
Protection haut voltage	EE10	<ol style="list-style-type: none"> <li>1. Tension trop haute</li> <li>2. Carte puissance défaillant</li> </ol>	<ol style="list-style-type: none"> <li>1. Vérifiez la tension</li> <li>2. Changer la carte de puissance et/ou de commande</li> </ol>
Défaillance carte mère IPM Module	EE11	<ol style="list-style-type: none"> <li>1. Les données ne sont pas correctes</li> <li>2. Vérifier le raccordement</li> <li>3. Accumulation liquide et gaz</li> <li>4. Compresseur ou la carte est défaillante</li> </ol>	<ol style="list-style-type: none"> <li>1. Erreur de programmation, couper l'alimentation électrique et démarrer après 3 minutes</li> <li>2. Changer la carte</li> <li>3. Vérifier les séquences</li> </ol>

<b>Dysfonctionnement</b>	<b>Code d'erreur</b>	<b>Raison</b>	<b>Solutions</b>
L'alimentation électrique est trop faible	EE12	1. La tension d'alimentation n'est pas correcte 2. La carte de puissance est défectueuse	1. Vérifier la tension d'alimentation 2. Changer la carte
Protection électrique	EE13	1. Les données ne sont pas correctes 2. Le débit est anormal 3. La tension n'est pas stable 4. Défaillance de l'inducteur PFC	1. Vérifiez le compresseur 2. Vérifier le circuit d'eau 3. Vérifier les tensions d'alimentation 4. Vérifier
Module IPM température de fonctionnement anormale	EE14	1. La tension d'alimentation n'est pas correcte 2. Le moteur du ventilateur est défectueux ou les hélices sont cassées	1. Vérifiez la carte de puissance 2. Vérifier la vitesse du ventilateur 3. Vérifier les hélices
Protection haute température module IPM	EE15	1. La tension d'alimentation n'est pas correcte 2. Le moteur du ventilateur est défectueux ou les hélices sont cassées	1. Vérifiez la carte électronique 2. Vérifier la vitesse du ventilateur 3. Vérifier les hélices
Protection module PFC	EE16	1. Les données ne sont pas correctes 2. Le moteur du ventilateur est défectueux 3. Les hélices sont cassées 4. La tension n'est pas stable	1. Vérifiez la carte électronique 2. Vérifier la vitesse du ventilateur 3. Vérifier les hélices 4. Vérifier la tension
Défaut ventilateur DC	EE17	1. Le moteur du ventilateur est défectueux 2. La carte électronique est défectueuse 3. Les hélices sont défectueuses	1. Vérifiez le moteur du ventilateur 2. Changer la carte électronique 3. Vérifier les hélices
Module PFC température de fonctionnement anormale	EE18	La carte électronique est défectueuse	1. Changer la carte électronique 2. Vérifier la vitesse du ventilateur 3. Vérifier les hélices
Protection haute température module PFC	EE19	1. La tension d'alimentation n'est pas correcte 2. Le moteur du ventilateur est défectueux 3. Les hélices sont cassées 4. Les raccords sur la carte de puissance ne sont pas serrés	1. Vérifiez la carte électronique 2. Vérifier la vitesse du ventilateur 3. Vérifier les hélices 4. Vérifier les raccordements, resserrer les vis



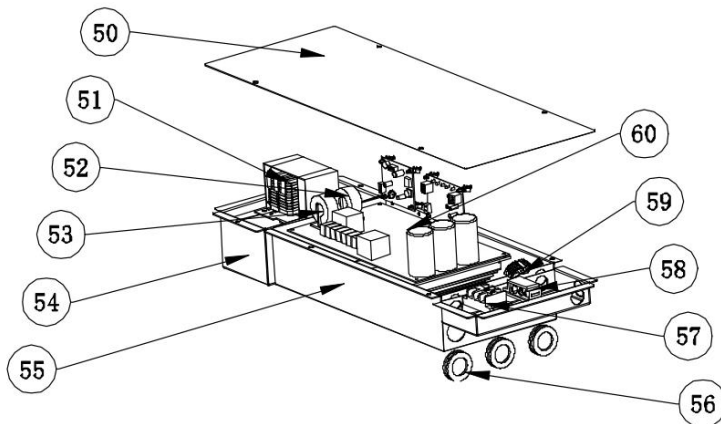
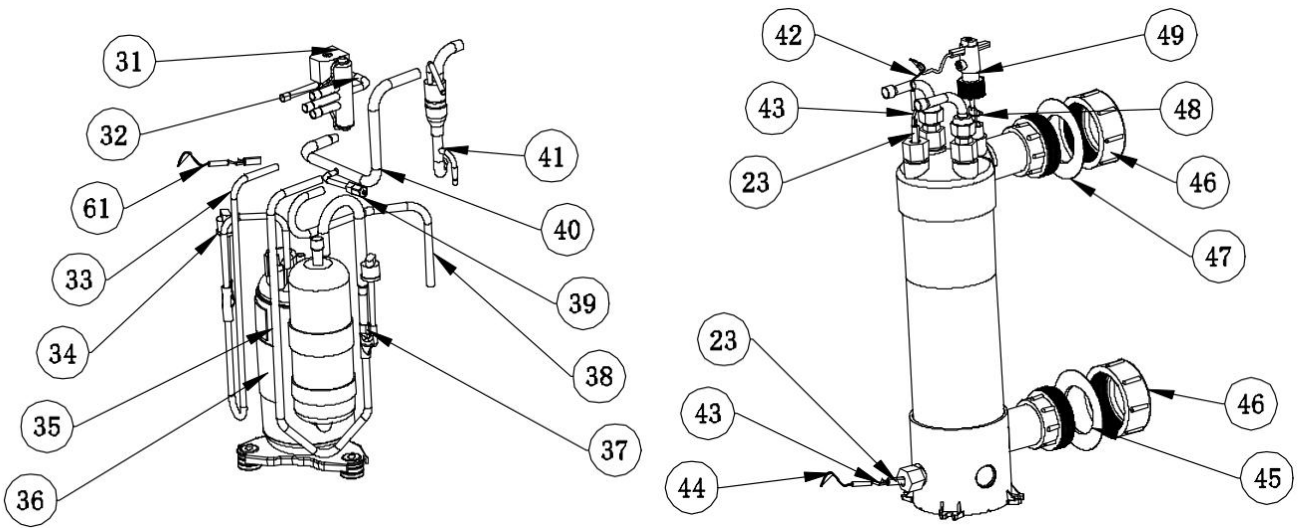
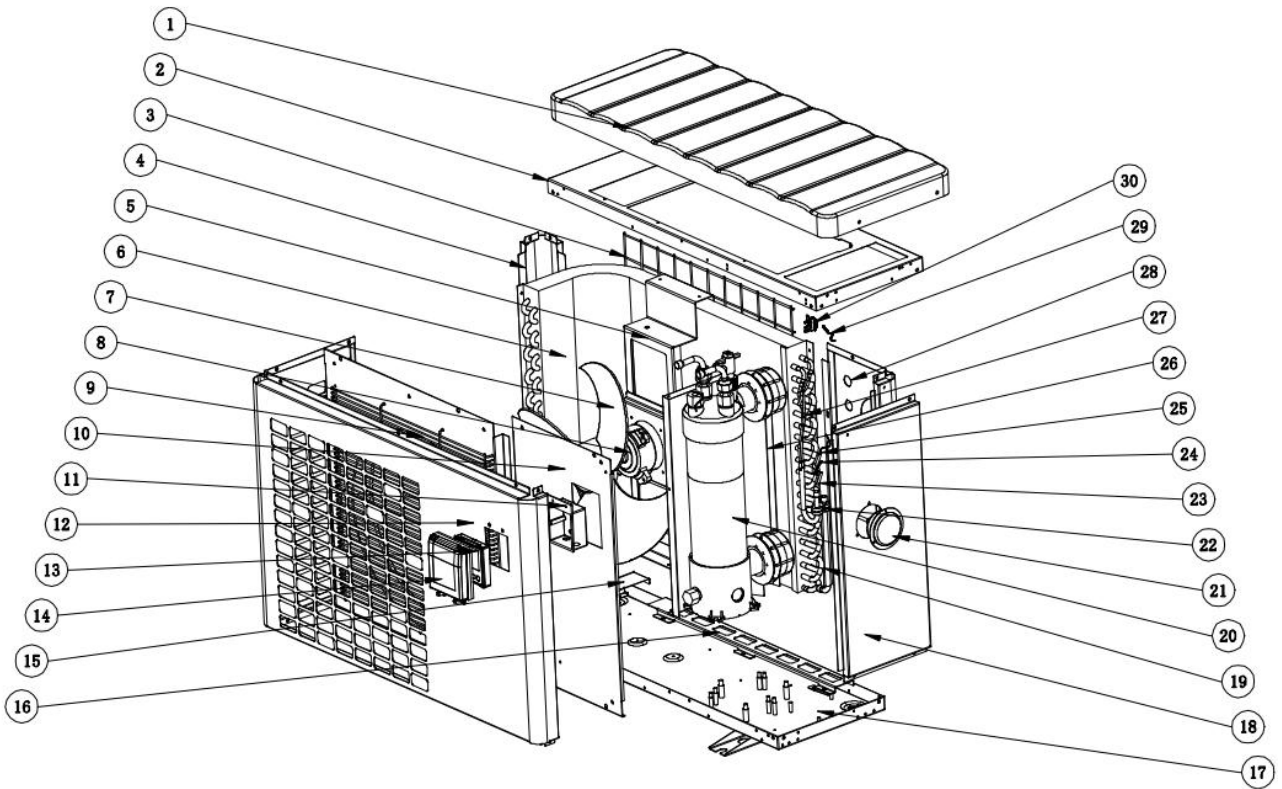
<b>Dysfonctionnement</b>	<b>Code d'erreur</b>	<b>Raison</b>	<b>Solutions</b>
Défaut puissance d'alimentation	EE20	La puissance d'alimentation varie de façon trop importante	Vérifier la tension d'alimentation
Défaut programme	EE21	1. Le compresseur perd des pas, vitesse irrégulière 2. Défaut programme 3. Impureté dans le compresseur	1. Vérifiez la carte électronique 2. Recharger le programme
Protection haute tension	EE22	1. La tension d'alimentation n'est pas correcte 2. La carte d'alimentation est défectueuse	1. Vérifiez la carte électronique 2. Changer la carte électronique
Défaut démarrage du compresseur	EE23	1. La carte d'alimentation est défectueuse 2. Vérifier le raccordement 3. Accumulation liquide et gaz 4. La tension n'est pas stable	1. Vérifiez la carte électronique 2. Vérifier les raccordements ou changer le compresseur
Température ambiante ou carte électronique	EE24	La température ambiante ou la température d'eau arrivée est trop faible	Vérifier et changer la carte électronique
Défaut alimentation du compresseur	EE25	Le compresseur marche sur 1 ou 2 phases	Vérifier le câblage
Défaut inversion vanne 4 voies	EE26	1. blocage inversion vanne 4 voies 2. Manque de gaz (pas de détection d5-TH2 ou d3-TH1)	1. Basculer du mode chaud / froid pour vérifier l'inversion de la vanne 2. Changer la vanne 4 voies 3. Vérifier la charge en gaz
Défaut données mémoire EEPROM	EE27	1. Perte des données dans la mémoire 2. Défaut carte électronique	1. Recharger les données dans la mémoire 2. Changer la carte électronique
Défaut de communication avec le contrôleur	EE28	Défaut sur la carte électronique	1. Arrêt / marche pour redémarrer 2. Vérifier et changer la carte électronique

## 7.2 Dysfonctionnement sans code d'erreurs affichées sur l'écran

Dysfonctionnements	Observations	Raisons	Solutions
La Pompe à chaleur ne fonctionne pas	Aucun affichage sur le contrôleur à LED	Pas d'alimentation	Vérifiez le disjoncteur du câble et du circuit soit connecté
	Contrôleur à LED affiche l'heure	Pompe à chaleur en état de veille	Démarrez la pompe à chaleur.
	Contrôleur à LED affiche la température réelle de l'eau.	<ol style="list-style-type: none"> <li>1. Température de l'eau atteint presque la valeur fixée, pompe à chaleur est en état à température constante.</li> <li>2. Pompe à chaleur commence juste à fonctionner</li> <li>3. En état de dégivrage</li> </ol>	<ol style="list-style-type: none"> <li>1. Vérifiez le réglage de température de l'eau.</li> <li>2. Démarrez la pompe à chaleur après quelques minutes.</li> <li>3. Contrôleur à LED doit afficher "Dégivrage"</li> </ol>
La Température de l'eau est refroidie lorsque la pompe à chaleur fonctionne sous le mode de chauffage	Contrôleur à LED affiche la température réelle de l'eau et aucun code d'erreur ne s'affiche	<ol style="list-style-type: none"> <li>1. Choix du mauvais mode.</li> <li>2. Les chiffres montrent des défaillances.</li> <li>3. Défaillance du contrôleur</li> </ol>	<ol style="list-style-type: none"> <li>1. Réglez le mode à la bonne fonction</li> <li>2. Remplacez le contrôleur à LED en panne, puis vérifiez l'état après avoir changé le mode de fonctionnement, vérifiez la température d'eau d'arrivée et de sortie</li> <li>3. Remplacez ou réparez l'unité</li> </ol>
Fonctionnement court	Contrôleur à LED affiche la température réelle de l'eau, aucun code d'erreur ne s'affiche	<ol style="list-style-type: none"> <li>1. Ventilateur ne fonctionne pas</li> <li>2. La ventilation d'air n'est pas suffisante</li> <li>3. Réfrigérant ne suffit pas.</li> </ol>	<ol style="list-style-type: none"> <li>1. Vérifiez les connexions des câbles entre le moteur et le ventilateur, le cas échéant, il doit être remplacé.</li> <li>2. Vérifiez l'emplacement de l'unité de pompe à chaleur, et éliminez tous les obstacles pour faire bonne ventilation.</li> <li>3. Remplacez ou réparez l'unité</li> </ol>
Tâches d'eau	Les tâches d'eau sur la pompe à chaleur	<ol style="list-style-type: none"> <li>1. Protection.</li> <li>2. Infiltration d'eau.</li> </ol>	<ol style="list-style-type: none"> <li>1. Aucune action (condensat)</li> <li>2. Vérifiez l'échangeur de chaleur en titane avec soin, s'il y a une fuite</li> </ol>
Trop de glace sur l'évaporateur	Trop de glace sur l'évaporateur.		<ol style="list-style-type: none"> <li>1. Vérifiez l'emplacement de l'unité de pompe à chaleur, et éliminez tous les obstacles</li> <li>2. Contacter le service technique</li> </ol>

# 8. Schéma éclaté et liste des pièces détachées

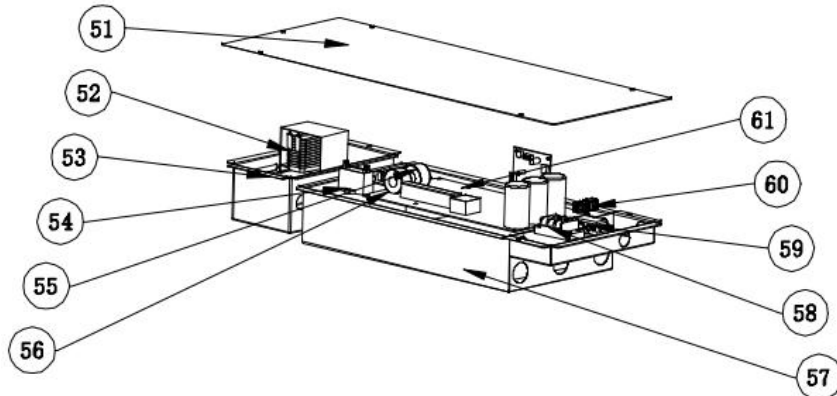
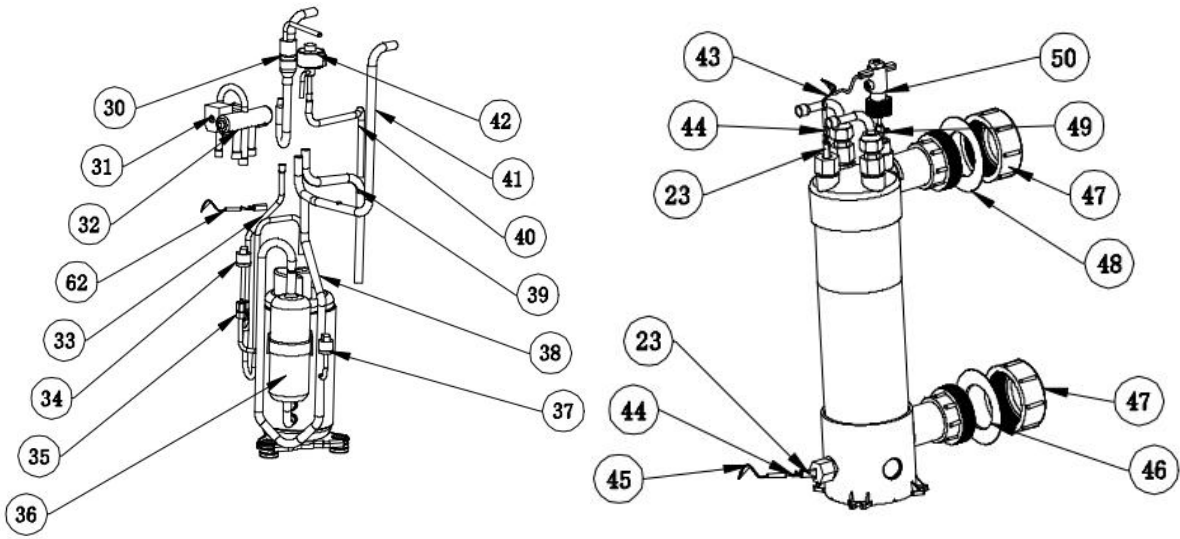
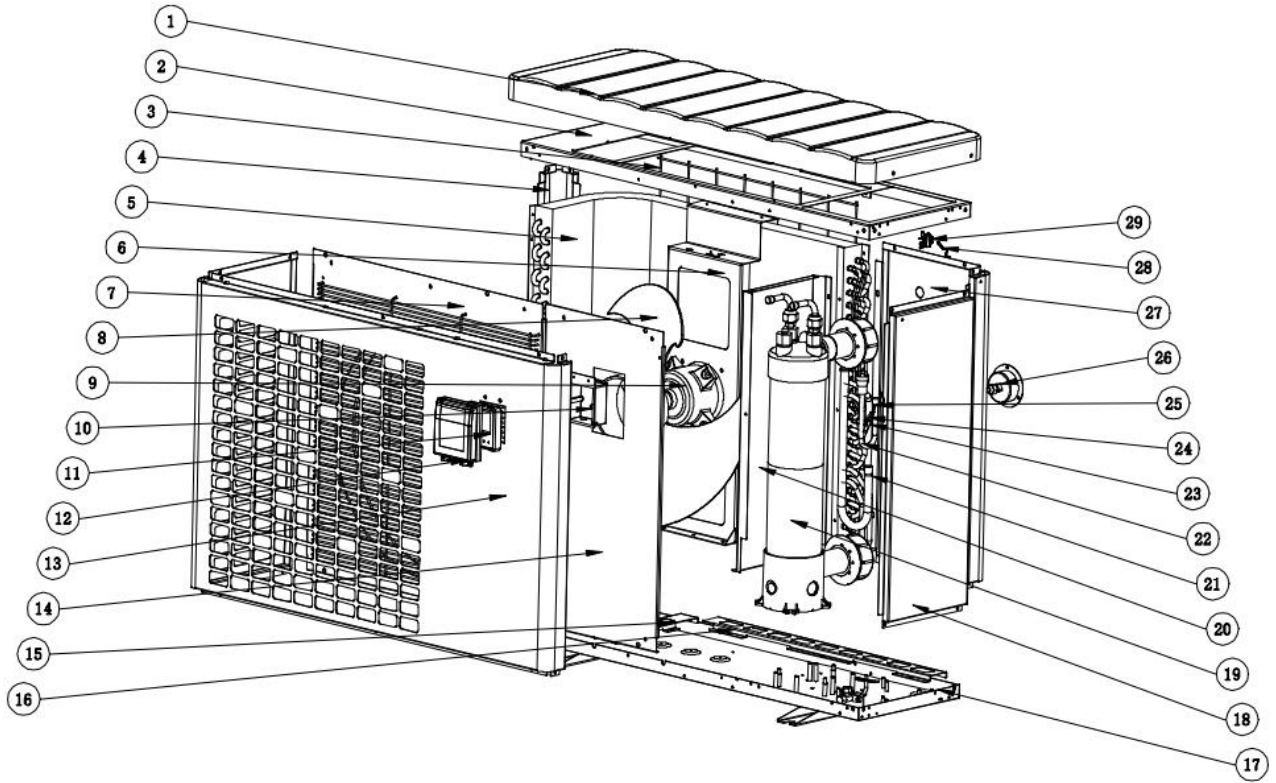
Modèle: VSN-10



## Liste des pièces: VSN-10

NO	ERP CODE	DESIGNATION	NO	ERP CODE	DESIGNATION
1	133340015	Panneau supérieur	32	121000037	Bobine vanne 4 voies
2	108830029	Cadre supérieur	33	113010335	Tube échappement gaz
3	108830014	Grille de protection arrière	34	112100030	Sonde haute pression
4	108830055	Pilier	35	113020444	Tube retour gaz
5	108830054	Support ventilateur	36	101000187	Compresseur
6	103000271	Evaporateur	37	112100046	Sonde basse pression
7	113600007	Pâle ventilateur	38	113060157	Tube
8	112000069	Moteur ventilateur	39	120000098	Vanne gaz
9	108830057	Assemblage du panneau avant	40	113030150	Tube vanne 4 voies vers échangeur
10	108830024	Panneau de maintenance	41	113090091	Échangeur à capillaire
11	133030011	Couvercle de protection	42	117110012	Sonde de température d'arrivée d'eau d1-TH6
12	108830058	Panneau avant	43	108010025	Clip de fixation sonde
13	117020212	Contrôleur	44	117110011	Sonde de température de sortie d'eau d2-TH5
14	113712007	Couvercle du contrôleur	45	133020011	Joint bleu
15	108830004	Tampon évaporateur	46	102050004	Raccord à visser
16	108830005	Tampon évaporateur	47	133020012	Joint rouge
17	108830001	Base	48	133020026	Joint rouge
18	108830059	Panneau côté droit	49	112100021-3	Détecteur de débit
19	103000271	Tube gaz	50	108830031	Couvercle de boîte électrique
20	103000271	Echangeur en titane	51	117230003	Réacteur
21	106000011	Manomètre	52	117240002	Anneau magnétique
22	136020018	Caoutchouc	53	117240003	Anneau magnétique
23	113190001	Clip de fixation sonde	54	108830026	Réacteur box
24	113190007	Fourreau sonde de température	55	108830030	Coffret électrique
25	117110004	Sonde de température dégivrage d5-TH2	56	136020119	Anneau de caoutchouc
26	108830003	Panneau d'isolation	57	115000002	Borner triple
27	103000271	Tuyauterie de distribution	58	136010004	Serre câble
28	108830056	Panneau arrière	59	115000060	Bornier double
29	117110020	Sonde de température ambiante d3-TH1	60	117100046	Carte électronique
30	133020010	Clip de fixation sonde	61	117110021	Sonde température d'échappement d6-TH3
31	121000035	Vanne 4 voies			

Modèle: VSN-12 / VSN-15 / VSN-17



## Liste des pièces: VSN-12

NO	ERP CODE	DESIGNATION	NO	ERP CODE	DESIGNATION
1	133300019	Panneau supérieur	32	121000037	Bobine vanne 4 voies
2	108790071	Cadre supérieur	33	113010349	Tube échappement gaz
3	108790049	Grille de protection arrière	34	112100030	Sonde haute pression
4	108790107	Pilier	35	120000097	Vanne gaz
5	103000283	Evaporateur	36	101000188	Compresseur
6	108790111	Support ventilateur	37	112100046	Sonde basse pression
7	108790127	Assemblage du panneau avant	38	113020460	Tube retour gaz
8	113600010	Pâle ventilateur	39	113060156	Tube
9	112000070	Moteur ventilateur	40	113090087	Échangeur à capillaire
10	133030011	Couvercle de protection	41	113030155	Tube vanne 4 voies vers échangeur
11	117020212	Contrôleur	42	109000053	Capillaire
12	113712007	Couvercle du contrôleur	43	117110012	Sonde de température d'arrivée d'eau d1-TH6
13	108790112	Panneau avant	44	108010025	Clip de fixation sonde
14	108790081	Panneau de maintenance	45	117110011	Sonde de température de sortie d'eau d2-TH5
15	108790025	Tampon évaporateur	46	133020011	Joint bleu
16	108790026	Tampon évaporateur	47	102050004	Raccord à visser
17	108790013	Base	48	133020012	Joint rouge
18	108790109	Panneau côté droit	49	133020026	Joint rouge
19	102040861	Echangeur en titane	50	112100021-3	Détecteur de débit
20	108790024	Panneau d'isolation	51	108790072	Couvercle de boîte électrique
21	103000283	Tube gaz	52	117230003	Réacteur
22	103000283	Tuyauterie de distribution	53	108790073	Réacteur box
23	113190001	Clip de fixation sonde	54	111000006	Condensateur de ventilateur
24	113190007	Fourreau sonde de température	55	117240002	Anneau magnétique
25	117110004	Sonde de température dégivrage d5-TH2	56	117240003	Anneau magnétique
26	106000011	Manomètre	57	108790075	Coffret électrique
27	108790108	Panneau arrière	58	115000002	Bornier triple
28	117110020	Sonde de température ambiante d3-TH1	59	136010004	Serre câble
29	133020010	Clip de fixation sonde	60	115000060	Bornier double
30	113030155	Tube vanne 4 voies vers échangeur	61	117100046	Carte électronique
31	121000034	Vanne 4 voies	62	117110021	Sonde température d'échappement d6-TH3

## List des pièces: VSN-15

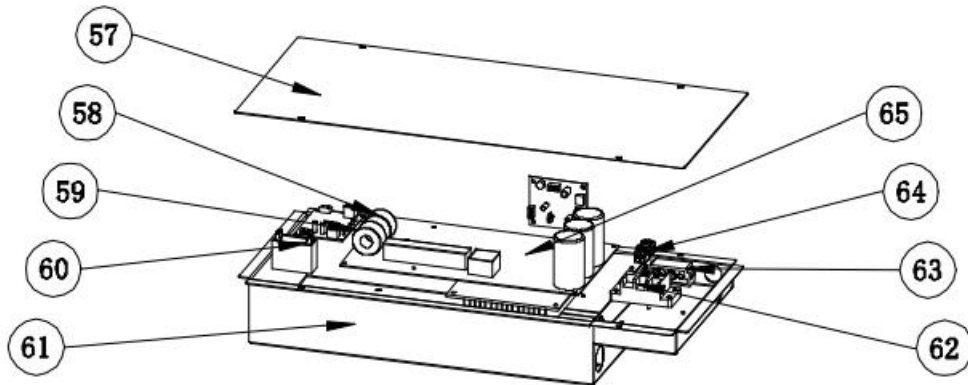
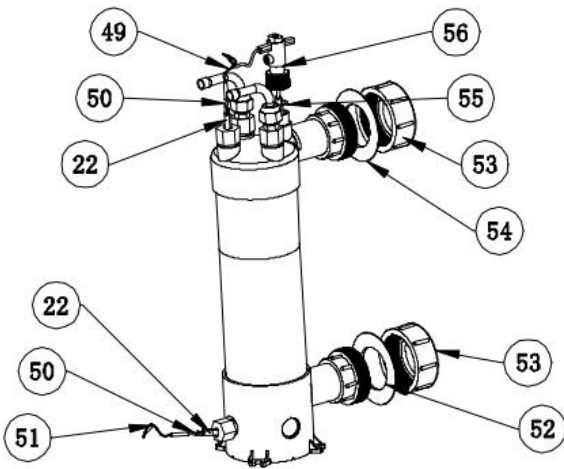
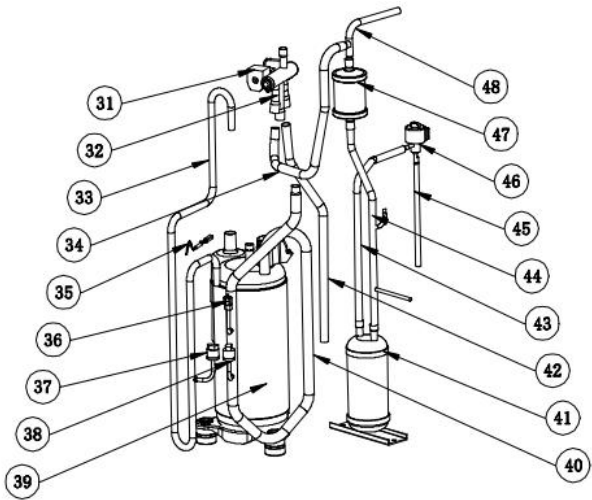
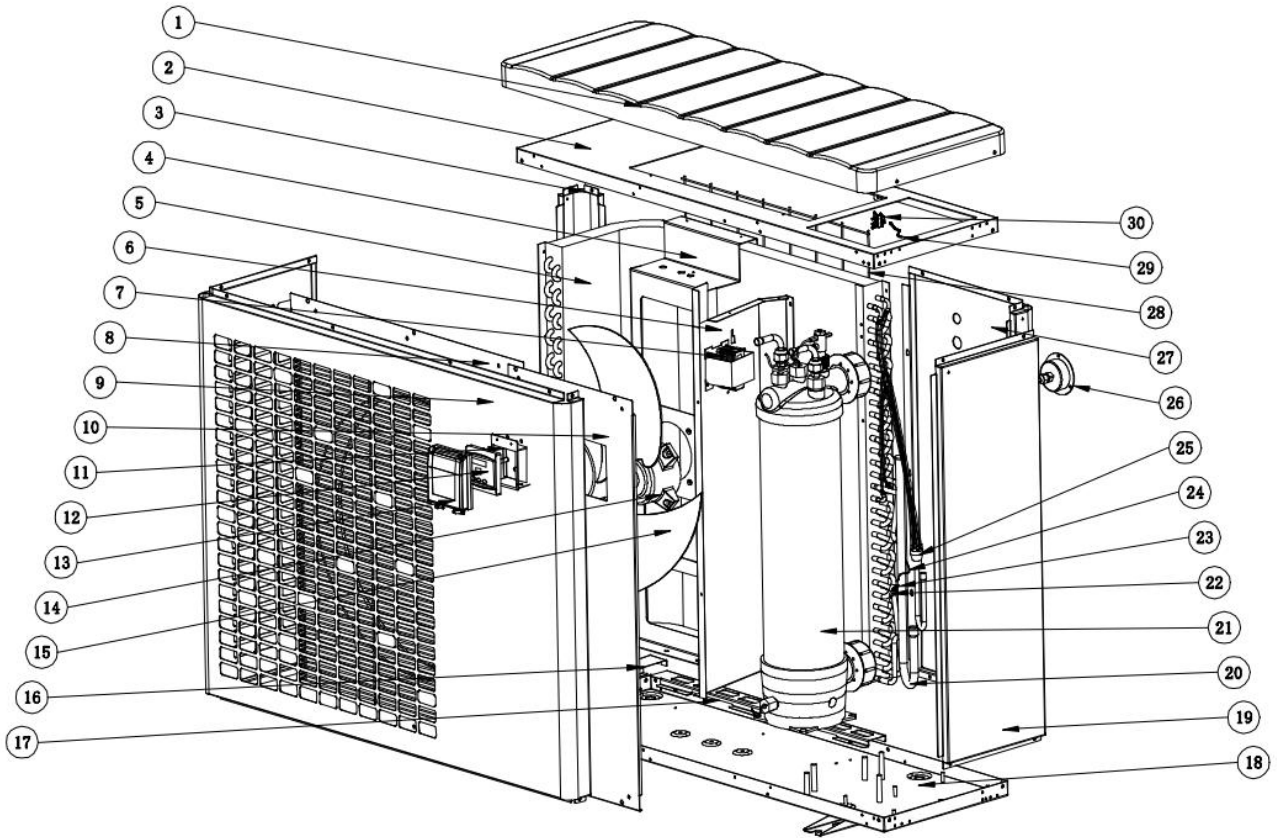
NO	ERP CODE	DESIGNATION	NO	ERP CODE	DESIGNATION
1	133300019	Panneau supérieur	32	121000037	Bobine vanne 4 voies
2	108790071	Cadre supérieur	33	113010349	Tube échappement gaz
3	108790049	Grille de protection arrière	34	112100030	Sonde haute pression
4	108790107	Pilier	35	120000097	Vanne gaz
5	103000290	Evaporateur	36	101000188	Compresseur
6	108790111	Support ventilateur	37	112100046	Sonde basse pression
7	108790127	Assemblage du panneau avant	38	113020460	Tube retour gaz
8	113600010	Pâle ventilateur	39	113060156	Tube
9	112000070	Moteur ventilateur	40	113080110	Échangeur à capillaire
10	133030011	Couvercle de protection	41	113070054	Tube vanne 4 voies vers échangeur
11	117020212	Contrôleur	42	119000058	Capillaire
12	113712007	Couvercle du contrôleur	43	117110012	Sonde de température d'arrivée d'eau d1-TH6
13	108790112	Panneau avant	44	108010025	Clip de fixation sonde
14	108790081	Panneau de maintenance	45	117110011	Sonde de température de sortie d'eau d2-TH5
15	108790025	Tampon évaporateur	46	133020011	Joint bleu
16	108790026	Tampon évaporateur	47	102050004	Raccord à visser
17	108790013	Base	48	133020012	Joint rouge
18	108790109	Panneau côté droit	49	133020026	Joint rouge
19	102040865	Echangeur en titane	50	112100021-3	Détecteur de débit
20	108790024	Panneau d'isolation	51	108790072	Couvercle de boîte électrique
21	103000290	Tube gaz	52	117230003	Réacteur
22	103000290	Tuyauterie de distribution	53	108790073	Réacteur box
23	113190001	Clip de fixation sonde	54	111000006	Condensateur de ventilateur
24	113190007	Fourreau sonde de température	55	117240002	Anneau magnétique
25	117110004	Sonde de température dégivrage d5-TH2	56	117240003	Anneau magnétique
26	106000011	Manomètre	57	108790074	Coffret électrique
27	108790108	Panneau arrière	58	115000002	Bornier triple
28	117110020	Sonde de température ambiante d3-TH1	59	136010004	Serre câble
29	133020010	Clip de fixation sonde	60	115000060	Bornier double
30	113030155	Tube vanne 4 voies vers échangeur	61	117100047	Carte électronique
31	121000034	Vanne 4 voies	62	117110021	Sonde température d'échappement d6-TH3

## Liste des pièces: VSN-17

NO	ERP CODE	DESIGNATION	NO	ERP CODE	DESIGNATION
1	133300019	Panneau supérieur	32	121000037	Bobine vanne 4 voies
2	108790071	Cadre supérieur	33	113010390	Tube échappement gaz
3	108790049	Grille de protection arrière	34	112100030	Sonde haute pression
4	108790107	Pilier	35	120000097	Vanne gaz
5	103000291	Evaporateur	36	101000181	Compresseur
6	108790111	Support ventilateur	37	112100046	Sonde basse pression
7	108790127	Assemblage du panneau avant	38	113020541	Tube retour gaz
8	113600010	Pâle ventilateur	39	113060156	Tube
9	112000070	Moteur ventilateur	40	113080115	Échangeur à capillaire
10	133030011	Couvercle de protection	41	113070054	Tube vanne 4 voies vers échangeur
11	117020212	Contrôleur	42	119000058	Capillaire
12	113712007	Couvercle du contrôleur	43	117110012	Sonde de température d'arrivée d'eau d1-TH6
13	108790112	Panneau avant	44	108010025	Clip de fixation sonde
14	108790081	Panneau de maintenance	45	117110011	Sonde de température de sortie d'eau d2-TH5
15	108790025	Tampon évaporateur	46	133020011	Joint bleu
16	108790026	Tampon évaporateur	47	102050004	Raccord à visser
17	108790093	Base	48	133020012	Joint rouge
18	108790109	Panneau côté droit	49	133020026	Joint rouge
19	103000271	Echangeur en titane	50	112100021-3	Détecteur de débit
20	108790024	Panneau d'isolation	51	108790072	Couvercle de boîte électrique
21	103000291	Tube gaz	52	117230003	Réacteur
22	103000291	Tuyauterie de distribution	53	108790073	Réacteur box
23	113190001	Clip de fixation sonde	54	111000006	Condensateur de ventilateur
24	113190007	Fourreau sonde de température	55	117240002	Anneau magnétique
25	117110004	Sonde de température dégivrage d5-TH2	56	117240003	Anneau magnétique
26	106000011	Manomètre	57	108790074	Coffret électrique
27	108790108	Panneau arrière	58	115000002	Bornier triple
28	117110020	Sonde de température ambiante d3-TH1	59	136010004	Serre câble
29	133020010	Clip de fixation sonde	60	115000060	Bornier double
30	113030172	Tube vanne 4 voies vers échangeur	61	117100047	Carte électronique
31	121000034	Vanne 4 voies	62	117110021	Sonde température d'échappement d6-TH3



# Modèle: VSN-21



## Liste des pièces: VSN-21

NO	ERP CODE	DESIGNATION	NO	ERP CODE	DESIGNATION
1	133350015	Panneau supérieur	34	113030174	Tube vanne 4 voies vers échangeur
2	108840002	Cadre supérieur	35	117110004	Sonde de température dégivrage d5-TH2
3	108840081	Pilier	36	120000097	Vanne gaz
4	108840079	Support ventilateur	37	112100030	Sonde haute pression
5	103000292	Evaporateur	38	112100046	Sonde basse pression
6	108840003	Panneau d'isolation	39	101000185	Compresseur
7	117230002	Réacteur	40	113020451	Tube retour gaz
8	108840084	Assemblage du panneau avant	41	105000004	Réservoir de stockage
9	108840080	Panneau avant	42	113060159	Tube
10	108840083	Panneau de maintenance	43	113120040	Tube du réservoir de stockage à EEV
11	133030011	Couvercle de protection	44	113130042	Tube filtre au réservoir de stockage
12	117020284	Contrôleur	45	113080111	Tuyauterie de distribution
13	113712007	Couvercle du contrôleur	46	119000059	EEV
14	111400043	Moteur ventilateur	47	120000066	Filtre
15	113600013	Pâle ventilateur	48	113130035	Tube échangeur vers filtre
16	108840004	Tampon évaporateur	49	117110012	Sonde de température d'arrivée d'eau d1-TH6
17	108840005	Tampon évaporateur	50	108010025	Clip de fixation sonde
18	108840001	Base	51	117110011	Sonde de température de sortie d'eau d2-TH5
19	108840085	Panneau côté droit	52	133020011	Joint bleu
20	103000292	Tube gaz	53	102050004	Raccord à visser
21	102041021	Echangeur en titane	54	133020012	Joint rouge
22	113190001	Clip de fixation sonde	55	133020026	Joint rouge
23	113190007	Fourreau sonde de température	56	112100021-3	Détecteur de débit
24	117110021	Sonde température d'échappement d6-TH3	57	108840008	Couvercle de boîte électrique
25	103000292	Tuyauterie de distribution	58	117240002	Anneau magnétique
26	106000011	Manomètre	59	117240003	Anneau magnétique
27	108840082	Panneau arrière	60	111000006	Condensateur de ventilateur
28	108840014	Grille de protection arrière	61	108840007	Coffret électrique
29	117110020	Sonde de température ambiante d3-TH1	62	115000025	Bornier triple
30	133020010	Clip de fixation sonde	63	136010004	Serre câble
31	121000028	Vanne 4 voies	64	115000060	Bornier double
32	121000037	Bobine vanne 4 voies	65	117100047	Carte électronique
33	113010339	Tube échappement gaz			

## 9. Maintenance

### Attention !

-Avant tout travail de maintenance sur l'appareil, vous devez couper l'alimentation électrique car il existe un risque de choc électrique pouvant entraîner des dommages matériels, des blessures graves voire la mort.

- Il est recommandé que l'appareil fasse l'objet d'un entretien général au moins une fois par an pour garantir son bon fonctionnement, maintenir ses performances et éviter d'éventuelles pannes.

sont effectués aux frais de l'utilisateur, par un technicien qualifié. pour l'entretien à effectuer par un technicien qualifié.

-Pour la maintenance à effectuer par un technicien qualifié, veuillez lire les consignes de sécurité des pages précédentes fournies dans le chapitre «maintenance: avertissements concernant les appareils contenant du réfrigérant R32» avant d'effectuer l'une des opérations de maintenance décrites ci-dessous.

### Entretien

(1) Vous devez vérifier le circuit d'eau régulièrement pour éviter l'air entrant dans le circuit et la présence de faible débit d'eau, car cela réduit les performances et la fiabilité de la pompe à chaleur.




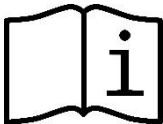
(2) Nettoyez votre piscine et le système de filtration régulièrement.

(3) Remplir entièrement le circuit d'eau avant de faire fonctionner l'unité à nouveau.

(4) Après la mise en hivernage, il est recommandé de couvrir la pompe à chaleur avec une bâche adaptée.

(5) Lorsque l'unité est en cours de fonctionnement, il y aura toujours un peu d'eau de condensation répandue en dessous.

(6) Veuillez toujours vider l'eau de la pompe à chaleur pendant l'hiver ou lorsque la température ambiante descend en dessous de 0 °C, sinon l'échangeur en titane sera endommagé en raison du gel, dans ce cas, votre garantie sera perdue.

	<p>Dieses Symbol weist darauf hin, dass weitere Informationen in der Bedienungsanleitung oder im Installationshandbuch verfügbar sind.</p>		<p>Dieses Symbol weist darauf hin, dass dieses Gerät R32 verwendet, ein Kältemittel mit niedriger Brenngeschwindigkeit.</p>
	<p>Dieses Symbol weist darauf hin, dass die Bedienungsanleitung sorgfältig gelesen werden sollte.</p>		<p>Dieses Symbol weist darauf hin, dass ein Wartungstechniker dieses Gerät unter Beachtung der Bedienungsanleitung handhaben sollte.</p>

### ALLGEMEINE WARNHINWEISE

- Durch die Nichteinhaltung der Warnhinweise können die Geräte im Schwimmbad beschädigt oder schwere bis tödliche Verletzungen verursacht werden.
- Nur ein qualifizierter Fachmann in den betreffenden technischen Bereichen (Elektrik, Hydraulik, Kältetechnik) ist befugt, Wartungs- oder Reparaturarbeiten am Gerät auszuführen. Der qualifizierte Techniker muss beim Eingriff am Gerät eine persönliche Schutzausrüstung (z. B. Schutzbrille, Schutzhandschuhe usw.) tragen, damit jede mit dem Eingriff am Gerät verbundene Verletzungsgefahr vermieden wird.
- Vor jedem Eingriff am Gerät muss dieses von der Stromversorgung getrennt und gegen ungewollte Einschaltung gesichert werden.
- Dieses Gerät ist nicht für die Verwendung durch Personen (einschließlich Kinder ab 8 Jahren) mit eingeschränkten körperlichen, sensorischen oder geistigen Fähigkeiten bzw. mangelnder Erfahrung ausgelegt, es sei denn:
  - sie werden von einer für ihre Sicherheit verantwortlichen Person überwacht oder hinsichtlich der Verwendung des Gerätes eingewiesen, und
  - sie haben die mit dessen Nutzung verbundenen Risiken verstanden.
- Kinder müssen beaufsichtigt werden, um sicherzustellen, dass sie nicht mit dem Gerät spielen.
- Die Installation des Geräts ist gemäß den Anweisungen des Herstellers sowie unter Einhaltung der geltenden lokalen und nationalen Normen durchzuführen. Der Installateur ist für die Installation des Gerätes und für die Einhaltung der nationalen Vorschriften hinsichtlich der Installation verantwortlich. Der Hersteller übernimmt keine Haftung im Fall einer Nichteinhaltung der geltenden nationalen Installationsnormen.
- Mit Ausnahme der in dieser Anleitung beschriebenen einfachen Wartung durch den Benutzer muss das Produkt durch einen qualifizierten Fachmann gewartet werden.
- Eine falsche Installation und/oder ein unsachgemäßer Gebrauch kann zu Sachschäden und schweren Körperverletzungen, ja sogar zum Tod führen.

- Die zulässigen Gleichgewichtswerte des Wassers für den Betrieb des Gerätes können den Garantiebedingungen entnommen werden.
- Jede Deaktivierung, Entfernung oder Umgehung eines der in das Gerät integrierten Sicherheitselemente führt automatisch zu einer Aufhebung der Garantie; das gleiche gilt für die Verwendung von Ersatzteilen eines nicht zugelassenen Drittlieferanten.
- Es darf kein Insektizid oder anderes (entzündbares oder nicht entzündbares) chemisches Produkt auf das Gerät gesprüht werden, weil dadurch das Gehäuse beschädigt und ein Brand ausgelöst werden kann.
- Der Ventilator und die beweglichen Teile dürfen während des Betriebs des Gerätes nicht berührt werden und es dürfen keine Gegenstände oder Finger in die Nähe der beweglichen Teile gesteckt werden. Die beweglichen Teile können schwere und sogar tödliche Verletzungen verursachen.
- Bitte halten Sie den Display-Controller an einem trockenen Ort oder schließen Sie die Isolationsabdeckung, um den Display-Controller vor Beschädigung durch Feuchtigkeit zu schützen.

### **WARNMELDUNGEN IN ZUSAMMENHANG MIT ELEKTRISCHEN GERÄTEN**

- Die Stromversorgung des Gerätes muss durch eine eigene Fehlerstromschutzeinrichtung von 30 mA gemäß den am Installationsort geltenden Normen geschützt werden.
- Zum Anschluss des Gerätes kein Verlängerungskabel verwenden; es direkt an einen passenden Versorgungsstromkreis anschließen.
- Ist ein ortsfestes Gerät nicht mit einem Netzkabel und einem Stecker oder einem anderen Mittel zur Trennung vom Stromnetz mit einer allpoligen Kontakttrennung ausgestattet, die im Falle einer Überspannung der Kategorie III eine vollständige Trennung ermöglicht, so ist in der Anleitung anzugeben, dass die Trennmittel gemäß den Verdrahtungsregeln in die feste Verkabelung integriert werden müssen.
- Im Stromkreis des Gerätes muss eine geeignete Trennvorrichtung installiert werden, die alle lokalen und nationalen Anforderungen der Überspannungskategorie III erfüllt und allpolig vom Stromkreis trennt. Diese Trennvorrichtung ist nicht im Lieferumfang des Gerätes enthalten und muss vom Installateur gestellt werden.
- Vor jeder Nutzung ist Folgendes zu prüfen:  
die auf dem Typenschild des Gerätes angegebene Spannung stimmt mit der Netzspannung überein,  
das Stromnetz ist für die Nutzung des Gerätes geeignet und es verfügt über einen Erdungsanschluss,  
der Netzstecker passt (ggf.) in die Steckdose.
- Das Gerät darf während des Betriebs nicht vom Stromnetz getrennt und wieder angeschlossen werden.
- Zum Ziehen des Steckers darf nicht am Stromkabel gezogen werden.
- Wenn das Stromkabel beschädigt ist, muss es zur Gewährleistung der Sicherheit vom Hersteller, von seinem Wartungsdienst oder von einem anderen qualifizierten Fachmann ersetzt werden.
- Keine Wartungs- oder Instandsetzungsarbeiten mit feuchten Händen oder an einem feuchten Gerät durchführen.
- Bevor das Gerät an die Stromquelle angeschlossen wird, sicherstellen, dass der Anschlussblock oder der Stromanschluss, an den das Gerät angeschlossen werden soll, in Ordnung ist und weder Schäden noch Rostspuren aufweist.
- Bei Gewitter muss das Gerät vom Stromnetz getrennt werden, um eine Beschädigung durch Blitzeinschlag zu vermeiden.
- Das Gerät darf nicht in Wasser oder Schlamm getaucht werden.

## **WARNHINWEISE IN ZUSAMMENHANG MIT GERÄTEN, DIE KÄLTEMITTEL ENTHALTEN**

- R32 ist ein Kältemittel der Kategorie A2L, das als potenziell entzündbar gilt.
- Lassen Sie das Kältemittel R32 nicht in Atmosphäre entweichen. Dieses Fluid ist ein fluoriertes Treibhausgas, das vom Kyoto-Protokoll gedeckt wird, mit einem Treibhauspotenzial (GWP) von 675 (EU-Verordnung Nr. 517/2014).
- Das Gerät muss an einem gut belüfteten Ort fernab von jeglicher Flammenquelle gelagert werden.
- Das Gerät im Freien installieren. Das Gerät nicht im Innenbereich oder in einem eingezäunten, nicht belüfteten Außenbereich installieren.
- Keine anderen Mittel zur Beschleunigung des Abtau- oder Reinigungsprozesses als die vom Hersteller empfohlenen verwenden.
- Das Gerät muss in einem Raum ohne Funkenquelle im Dauerbetrieb gelagert werden (z. B. offene Flammen, Gasgerät im Betrieb oder elektrische Heizung im Betrieb).
- Nicht durchbohren oder verbrennen.
- Es ist zu beachten, dass das Kältemittel R32 einen gewissen Geruch freisetzen kann.
- Um die einschlägigen Umwelt- und Installationsnormen und -vorschriften, insbesondere den französischen Erlass Nr. 2015-1790 und/oder die EU-Verordnung 517/2014, einzuhalten, muss mindestens einmal jährlich eine Dichtheitsprüfung des Kühlsystems durchgeführt werden. Dieser Vorgang muss von einem zertifizierten Kühlgerätefachmann durchgeführt werden.
- Bitte bewahren Sie den Display-Controller an einem trockenen Ort auf oder schließen Sie die Isolationsabdeckung, um den Display-Controller vor Beschädigung durch Feuchtigkeit zu schützen.

## **WARTUNG: WARNHINWEISE IN ZUSAMMENHANG MIT GERÄTEN, DIE KÄLTEMITTEL R32 ENTHALTEN**

- Während der Instandhaltungsphase des Geräts müssen die Zusammensetzung und der Zustand des Wärmeübertragungsmittels sowie das Fehlen von Spuren des Kältemittels kontrolliert werden.
- Während der jährlichen Dichtigkeitskontrolle des Gerätes muss den geltenden Gesetzen entsprechend überprüft werden, dass die Hoch- und Niederdruckschalter richtig an den Kältemittelkreislauf angeschlossen sind und beim Auslösen den Stromkreis ausschalten.
- Während der Wartungsphase muss man sich vergewissern, dass keine Spuren von Korrosion oder Ölflecken im Umkreis der Kältekomponenten vorhanden sind.
- Löten oder schweißen Sie das Rohr nicht, wenn sich Kältemittel in der Maschine befindet. Bitte laden Sie das Gas nicht auf engstem Raum auf.

### ***Überprüfung des Bereichs***

- Vor Beginn der Arbeiten an Anlagen, die brennbare Kältemittel enthalten, sind Sicherheitsüberprüfungen erforderlich, um sicherzustellen, dass die Gefahr von Funkenbildung gering ist.

- 

### ***Arbeitsverfahren***

- Die Arbeiten müssen nach einem kontrollierten Verfahren durchgeführt werden, um die Gefahr der Freisetzung von brennbaren Gasen oder Dämpfen während der Arbeiten zu verringern.
- Vor jedem Eingriff am Kältemittelkreislauf muss das Gerät unbedingt abgestellt und ein paar Minuten gewartet werden, bevor Temperatur- oder Druckfühler angebracht werden, da manche Komponenten wie der

Kompressor und die Rohrleitungen Temperaturen von über 100 °C und hohen Druck erreichen können, die möglicherweise zu schweren Verbrennungen führen.

### **Allgemeiner Arbeitsbereich**

- Das gesamte Wartungspersonal und andere in der unmittelbaren Umgebung tätige Personen müssen über die durchgeführten Arbeiten auf dem Laufenden gehalten werden. Arbeiten in engen Räumen müssen vermieden werden.

### **Überprüfung des Vorhandenseins von Kältemittel**

- Der Bereich muss vor und während der Arbeiten mit einem geeigneten Kältemitteldetektor überprüft werden, damit der Techniker auf das Vorhandensein einer potenziell toxischen oder brennbaren Atmosphäre aufmerksam gemacht wird. Sicherstellen, dass der verwendete Leckdetektor für den Einsatz bei allen betroffenen Kältemitteln geeignet ist, d. h. es kann keine Funken verursachen, ist ordnungsgemäß isoliert oder vollkommen sicher.

- 

### **Vorhandensein eines Feuerlöschers**

- Sollen Arbeiten an der Kälteanlage oder den zugehörigen Teilen bei einer bestimmten Temperatur durchgeführt werden, müssen geeignete Feuerlöscher leicht erreichbar sein. Einen Pulver- oder CO<sub>2</sub>-Löscher in der Nähe des Arbeitsbereichs anbringen.

### **Keine Zündquelle**

- Niemand, der an einer Kälteanlage arbeitet und die Rohrleitungen freilegen muss, darf eine Funkenquelle verwenden, von der eine Brand- oder Explosionsgefahr ausgehen könnte. Alle möglichen Funkenquellen, insbesondere Zigaretten, müssen ausreichend von der Installations-, Reparatur-, Demontage- oder Entsorgungsstelle ferngehalten werden, wenn Kältemittel möglicherweise in die Umgebung freigesetzt werden kann. Vor Beginn der Arbeiten ist der Bereich um das Gerät herum auf Brand- und Funkengefahr zu untersuchen. Es müssen Schilder mit „Rauchverbot“ angebracht werden.

### **Belüftung des Bereichs**

- Bevor das Gerät in irgendeiner Weise für Wartungsarbeiten benutzt wird, ist sicherzustellen, dass der Bereich offen und gut belüftet ist. Eine angemessene Belüftung, die eine sichere Dispersion des möglicherweise in die Atmosphäre freigesetzten Kältemittels ermöglicht, muss während der Wartung des Gerätes gewährleistet sein.

### **Überprüfung der Kälteanlage**

- Die Pflege- und Wartungsempfehlungen des Herstellers sind immer zu beachten. Beim Austausch elektrischer Komponenten ist darauf zu achten, dass nur Komponenten desselben Typs und derselben Kategorie verwendet werden, die vom Hersteller empfohlen/genehmigt sind. Wenden Sie sich im Zweifelsfall an den technischen Kundendienst des Herstellers.
- Die folgenden Prüfungen sind auf Anlagen anzuwenden, die brennbare Kältemittel verwenden: Markierungen auf dem Gerät müssen sichtbar und lesbar bleiben, unlesbare Markierungen oder Signale müssen korrigiert werden;

Kältemittelleitungen oder -komponenten werden an einer Position verlegt, an der es unwahrscheinlich ist, dass sie einer Substanz ausgesetzt sind, die kältemittelhaltige Komponenten angreifen könnte, es sei denn, die Komponenten bestehen aus normalerweise korrosionsbeständigen Materialien oder sind ordnungsgemäß gegen diese Korrosion geschützt.

### ***Überprüfung der elektrischen Komponenten***

- Die Reparatur und Wartung von elektrischen Komponenten muss erste Sicherheitsüberprüfungen und Komponenteninspektionsverfahren beinhalten. Wenn ein Fehler auftritt, der die Sicherheit beeinträchtigen könnte, darf keine Stromversorgung an den Stromkreis angeschlossen werden, bis der Fehler vollständig behoben ist. Muss die Arbeit fortgesetzt werden, obwohl der Fehler nicht sofort behoben werden kann, muss eine geeignete Übergangslösung gefunden werden. Dies ist dem Eigentümer des Geräts mitzuteilen, damit alle Beteiligten informiert werden.

- Die Reparatur und Wartung von elektrischen Komponenten muss die folgenden ersten Sicherheitsüberprüfungen beinhalten:

die Kondensatoren sind entladen: Dies muss unter sicheren Bedingungen geschehen, um Funkenbildung zu vermeiden;

während des Ladevorgangs, der Überholung oder Spülung des Systems liegen keine elektrischen Komponenten oder Stromversorgungen frei;

Die Erdungsverbindung muss ständig vorhanden sein.

### ***Reparatur an isolierten Komponenten***

- Bei Reparaturen an isolierten Komponenten müssen alle Stromversorgungen vom Gerät, an dem die Arbeiten durchgeführt werden, getrennt werden, bevor die Isolierabdeckung entfernt wird usw. Wenn das Gerät während der Wartung unbedingt mit Strom versorgt werden muss, muss ein Leckdetektor im Dauerbetrieb an der kritischsten Stelle angebracht werden, um jede potenziell gefährliche Situation zu melden.

- Um sicherzustellen, dass bei Arbeiten an elektrischen Komponenten das Gehäuse nicht so verändert wird, dass das Schutzniveau beeinträchtigt wird, sind die folgenden Punkte besonders zu beachten. Dazu gehören beschädigte Kabel, übermäßige Anzahl von Anschlüssen, Klemmen, die nicht den ursprünglichen Eigenschaften entsprechen, beschädigte Dichtungen, unsachgemäße Installation von Kabelverschraubungen usw.

- Sicherstellen, dass das Gerät richtig befestigt ist.

- Sicherstellen, dass die Dichtungen oder Isoliermaterialien nicht so weit beschädigt sind, dass sie nicht mehr verhindern, dass eine brennbare Atmosphäre in den Kreislauf gelangt. Die Ersatzteile müssen den Spezifikationen des Herstellers entsprechen.

### ***Reparatur von eigensicheren Komponenten***

- Keine dauerhafte Induktions- oder elektrische Kapazitätsbelastung an den Stromkreis anwenden, ohne sicherzustellen, dass sie die für das verwendete Gerät zulässige Spannung und den zulässigen Strom nicht überschreitet.

- Eigensichere Komponenten sind die einzigen Typen, bei denen es möglich ist, unter Spannung in Gegenwart einer brennbaren Atmosphäre zu arbeiten. Das Testgerät muss zur entsprechenden Klasse gehören.



- Die Komponenten dürfen nur durch vom Hersteller angegebene Teile ersetzt werden. Andere Teile könnten das Kältemittel in der Atmosphäre aufgrund einer Leckage entzünden.

### **Verkabelung**

- Sicherstellen, dass die Verkabelung frei von Verschleiß, Korrosion, Überdruck, Vibrationen, scharfen Kanten oder anderen schädlichen Umgebungseinflüssen ist. Bei der Steuerung müssen auch die Auswirkungen der Alterung oder der ständigen
- Vibrationen durch Quellen wie Kompressoren oder Ventilatoren berücksichtigt werden.

### **Erkennung von brennbaren Kältemitteln**

- Unter keinen Umständen dürfen potenzielle Funkenquellen zur Suche nach Kältemittelleckagen oder zur Erkennung von Kältemittelleckagen verwendet werden. Eine Halogenlampe (oder ein anderer Detektor mit offener Flamme) darf nicht verwendet werden.
- Die folgenden Lecksuchmethoden gelten für alle Kälteanlagen als zulässig.
- Elektronische Leckdetektoren können zur Erkennung von Kältemittelleckagen verwendet werden, aber im Falle von brennbarem Kältemittel ist die Empfindlichkeit möglicherweise nicht ausreichend oder muss neu kalibriert werden. (Die Leckdetektoren müssen an einem Ort kalibriert werden, an dem kein Kältemittel vorhanden ist.) Sicherstellen, dass der Detektor keine potenzielle Zündquelle ist und für das verwendete Kältemittel geeignet ist. Die Leckdetektoren müssen auf einen Prozentsatz des LFL des Kältemittels eingestellt und in Abhängigkeit vom verwendeten Kältemittel kalibriert sein. Der geeignete Gasanteil (maximal 25 %) muss bestätigt werden.
- Lecksuchflüssigkeiten eignen sich auch für die meisten Kältemittel, aber die Verwendung von chlorhaltigen Reinigungsmitteln sollte vermieden werden, da sie mit dem Kältemittel reagieren und die Kupferleitungen angreifen können.
- Bei Verdacht auf eine Leckage müssen alle offenen Flammen entfernt/gelöscht werden.
- Wenn ein Kältemittelleck erkannt wird, das einen Löteingriff erfordert, muss das gesamte Kältemittel aus dem System entfernt oder (durch Absperrventile) in einem vom Leck entfernten Teil des Systems isoliert werden.

### **Entnahme und Evakuierung**

- Beim Zugang zum Kältekreislauf für Reparaturen oder aus anderen Gründen müssen herkömmliche Verfahren angewendet werden. Bei brennbaren Kältemitteln ist es jedoch unerlässlich, die Empfehlungen zu befolgen, da die Entflammbarkeit berücksichtigt werden muss. Die folgende Vorgehensweise ist einzuhalten:  
Kältemittel entfernen;  
den Kreislauf mit einem Inertgas spülen (optional für A2L);  
evakuieren (optional für A2L);  
mit einem Inertgas spülen (optional für A2L);  
den Kreislauf durch Schneiden oder Löten öffnen.
- Die Kältemittelfüllung muss in den entsprechenden Rückgewinnungsflaschen rückgewonnen werden. Bei Geräten, die andere brennbare Kältemittel als A2L enthalten, muss das System mit sauerstofffreiem Stickstoff gespült werden, damit das Gerät für die Aufnahme von brennbarem Kältemittel geeignet ist. Es kann

notwendig sein, diesen Vorgang mehrmals zu wiederholen. Druckluft oder Sauerstoff darf nicht zum Spülen von Kälteanlagen verwendet werden.

### **Ladeverfahren**

- Sicherstellen, dass sich der Ausgang der Vakuumpumpe nicht in der Nähe einer potenziellen Funkenquelle befindet und dass eine Belüftung verfügbar ist.
- Zusätzlich zu den herkömmlichen Ladeverfahren müssen die folgenden Anforderungen erfüllt sein.
- Sicherstellen,, dass beim Einsatz von Füllgeräten keine Verunreinigungen zwischen verschiedenen Kältemitteln möglich sind. Schläuche oder Leitungen müssen so kurz wie möglich sein, um die Menge des darin enthaltenen Kältemittels zu reduzieren.
- Die Flaschen müssen gemäß den Anweisungen in einer geeigneten Position gehalten werden.
- Sicherstellen, dass die Kälteanlage geerdet ist, bevor sie mit Kältemittel befüllt wird.
- Das System nach dem Laden beschriften (falls nicht bereits geschehen).
- Es ist besonders darauf zu achten, dass die Kälteanlage nicht überfüllt wird.
- Vor dem Wiederaufladen des Systems muss eine Druckprüfung mit dem entsprechenden Spülgas durchgeführt werden. Das System muss am Ende der Ladung, aber vor der Inbetriebnahme auf Dichtheit überprüft werden. Vor dem Verlassen des Standorts muss eine Folgedichtheitsprüfung durchgeführt werden.

### **Demontage**

- Vor der Durchführung eines Demontagevorgangs ist es unbedingt erforderlich, dass sich der Techniker mit dem Gerät und seinen Eigenschaften vertraut gemacht hat. Es wird besonders empfohlen, alle Kältemittel sorgfältig rückzugewinnen. Vor der Durchführung dieser Aufgabe muss eine Öl- und Kältemittelprobe entnommen werden, wenn Analysen erforderlich sind, bevor das rückgewonnene Kältemittel wieder verwendet wird. Vor Beginn der Arbeit ist es unbedingt erforderlich, die Spannungsversorgung zu überprüfen.
1. Machen Sie sich mit dem Gerät und seiner Bedienung vertraut.
  2. Das System elektrisch isolieren.
  3. Vor Beginn des Verfahrens ist Folgendes sicherzustellen:  
für die Handhabung der Kältemittelflaschen stehen bei Bedarf mechanische Handhabungsgeräte zur Verfügung;  
alle persönlichen Schutzausrüstungen sind vorhanden und werden ordnungsgemäß verwendet;  
der Rückgewinnungsprozess wird jederzeit von einer kompetenten Person überwacht;  
die Rückgewinnungsgeräte und -flaschen entsprechen den einschlägigen Normen.
  4. Das Kühlsystem evakuieren, wenn möglich.
  5. Wenn kein Vakuum erzeugt werden kann, einen Verteiler installieren, damit das Kältemittel an verschiedenen Stellen des Systems entfernt werden kann.
  6. Sicherstellen, dass die Flasche auf den Waagen steht, bevor mit den Rückgewinnungsvorgängen begonnen wird.
  7. Die Rückgewinnungsmaschine starten und gemäß den Anweisungen bedienen.
  8. Die Flaschen nicht überfüllen (nicht mehr als 80 % des Volumens der Flüssigkeitsladung).
  9. Den maximalen Betriebsdruck der Flasche auch vorübergehend nicht überschreiten.

10. Wenn die Flaschen ordnungsgemäß befüllt sind und der Prozess abgeschlossen ist, sicherstellen, dass die Flaschen und Geräte schnell vom Standort entfernt werden und dass die alternativen Sperrventile an der Anlage geschlossen sind.

11. Das rückgewonnene Kältemittel darf nicht in eine andere Kälteanlage eingefüllt werden, es sei denn, es wurde gereinigt und kontrolliert.

## **FEHLERBEHEBUNG**

- Jeder Lötgriff muss von Fachleuten vorgenommen werden.
- Der Austausch der Rohrleitungen darf nur mit Kupferrohr durchgeführt werden, das der Norm NF EN 12735-1 entspricht.
- Auffinden von Undichtigkeiten, Testfall unter Druck:  
nie Sauerstoff oder trockene Luft verwenden, Brand- oder Explosionsgefahr,  
dehydratisierten Stickstoff oder eine Mischung aus Stickstoff und auf dem Typenschild angegebenem Kühlmittel verwenden,  
der Druck der Nieder- und Hochdruckprüfung darf nicht 42 bar überschreiten, wenn das Gerät mit dem optionalen Manometer ausgestattet ist.
- Für die Rohrleitungen des Hochdruckkreislaufs, die mit einem Kupferrohr mit dem Durchmesser von = oder  $> 1\frac{5}{8}$  ausgeführt sind, muss gemäß § 2.1 der Norm NF EN 10204 vom Lieferanten eine Bescheinigung angefordert und in den technischen Unterlagen der Installation aufbewahrt werden.
- Die technischen Informationen über die Sicherheitsanforderungen der einzelnen anwendbaren Richtlinien sind auf dem Typenschild angegeben. Alle diese Angaben müssen in der Installationsanleitung des Gerätes registriert sein, die sich in den technischen Unterlagen der Maschine befinden muss: Modell, Code, Seriennummer, max. und min. TS, PS, Herstellungsjahr, CE-Kennzeichnung, Anschrift des Herstellers, Kältemittel und Gewicht, elektrische Parameter, thermodynamische und akustische Leistungen.

## **ETIKETTIERUNG**

- Das Gerät ist mit einem Etikett zu versehen, aus dem hervorgeht, dass es außer Betrieb genommen und das Kältemittel abgelassen wurde.
- Das Etikett muss datiert und unterschrieben sein.
- Bei Geräten, die ein brennbares Kältemittel enthalten, ist darauf zu achten, dass auf den Geräten Etiketten angebracht sind, die darauf hinweisen, dass sie ein brennbares Kältemittel enthalten.

## **RÜCKGEWINNUNG**

- Beim Ablassen des Kältemittels, bei der Wartung oder Außerbetriebnahme wird empfohlen, gute Praktiken zum sicheren Ablassen des gesamten Kältemittels zu befolgen.
- Beim Umfüllen von Kältemittel in eine Flasche ist darauf zu achten, dass eine für das Kältemittel geeignete Rückgewinnungsflasche verwendet wird. Sicherstellen, dass die richtige Anzahl von Flaschen vorhanden ist, um die gesamte Flüssigkeit zurückzugewinnen. Alle zu verwendenden Flaschen müssen für die Kältemittelrückgewinnung ausgelegt sein und Etiketten für das jeweilige Kältemittel aufweisen. Die Flaschen müssen mit einem Vakuumventil und Absperrventilen in einwandfreiem Zustand ausgestattet sein. Leere Rückgewinnungsflaschen werden evakuiert und, wenn möglich, vor der Rückgewinnung gekühlt.
- Das Rückgewinnungsgerät muss in einwandfreiem Zustand sein, die Bedienungsanleitung des Gerätes muss

leicht zugänglich sein und das Gerät muss für das betreffende Kältemittel, gegebenenfalls auch für das brennbare Kältemittel, geeignet sein. Darüber hinaus muss ein Satz kalibrierter Waagen verfügbar und in einwandfreiem Zustand sein. Die Leitungen müssen vollständig, leckagefrei, frei von losen Verbindungen und in gutem Zustand sein. Bevor das Rückgewinnungsgerät verwendet wird, muss sichergestellt werden, dass es in einwandfreiem Zustand ist, dass es ordnungsgemäß gewartet wurde und dass die zugehörigen elektrischen Komponenten versiegelt sind, um zu verhindern, dass bei Freisetzung von Kältemittel ein Brand entsteht. Wenden Sie sich im Zweifelsfall an den Hersteller.

- Das rückgewonnene Kältemittel muss in der Rückgewinnungsflasche mit einem Abfalltransportschein an den Kältemittellieferanten zurückgesandt werden. Es dürfen keine unterschiedlichen Kältemittel in den Rückgewinnungseinheiten, insbesondere in den Flaschen, vermischt werden.
- Wenn der Kompressor entfernt oder das Kompressoröl abgelassen wird, ist sicherzustellen, dass das Kältemittel abgelassen wurde, um zu verhindern, dass es sich mit dem Schmiermittel vermischt. Der Entleerungsvorgang muss durchgeführt werden, bevor der Kompressor an den Lieferanten zurückgesandt wird. Zur Beschleunigung dieses Vorgangs darf nur die elektrische Heizung des Kompressorgehäuses verwendet werden. Wenn alle Flüssigkeiten in einem System abgelassen werden, muss dieser Vorgang unter sicheren Bedingungen durchgeführt werden.



#### **RECYCLING**

Dieses von der europäischen WEEE-Richtlinie 2012/19/EU (Richtlinie über Elektro- und Elektronik-Altgeräte) vorgeschriebene Symbol bedeutet, dass Sie Ihr Gerät nicht mit dem Haushaltsmüll entsorgen dürfen. Es muss getrennt gesammelt werden, damit es wiederverwendet, recycelt oder verwertet werden kann. Wenn es potenziell umweltgefährdende Stoffe enthält, müssen diese entsorgt oder neutralisiert werden. Ihr Händler kann Sie über die Recyclingbedingungen informieren.

# VSN INVERTER -5°C

## Benutzer- und Wartungshandbuch

### INDEX

1. Spezifikationen
2. Dimension
3. Installation und Verbindung
4. Zubehör
5. Elektrische Verkabelung
6. Display Controller-Betrieb
7. Fehlersuche
8. Explosionszeichnung
9. Wartung

Vielen Dank für die Verwendung unserer Wärmepumpe, um Ihr Schwimmbad zu heizen. Diese wird ihr Poolwasser erwärmen und auf einer konstanten Temperatur halten, wenn die Außentemperatur zwischen -5°C und 43°C liegt.



**ACHTUNG:** Dieses Handbuch beinhaltet alle Informationen die für die Benutzung und die Installation ihrer Wärmepumpe erforderlich sind.

Der Installateur muss das Handbuch gründlich durchlesen und den Anweisungen strikt folgen, sowohl bei der Implementierung als auch bei der Wartung. Bitte geben Sie dieses Handbuch für später während der gesamten Lebensdauer des Geräts weiter.

Der Installateur ist verantwortlich für die Installation des Produkts und sollte allen Anweisungen des Herstellers sowie allen Vorschriften in den Anwendungen folgen. Inkorrekte Installation gegen die Anweisungen des Handbuchs macht die Garantie nichtig.

Der Hersteller lehnt jede Verantwortung ab für Schäden die durch Menschen, Objekte oder Fehler die auf Nichtbefolgung von Anweisungen im Handbuch beruhen. Jede Nutzung die bei der Herstellung nicht vorgesehen war wird als gefährlich eingestuft.

# 1. Spezifikationen

## 1.1 Technische Daten

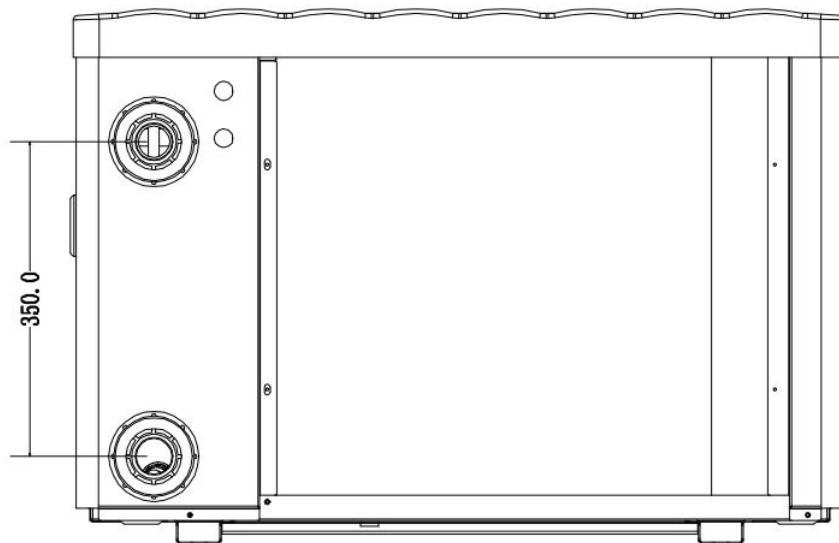
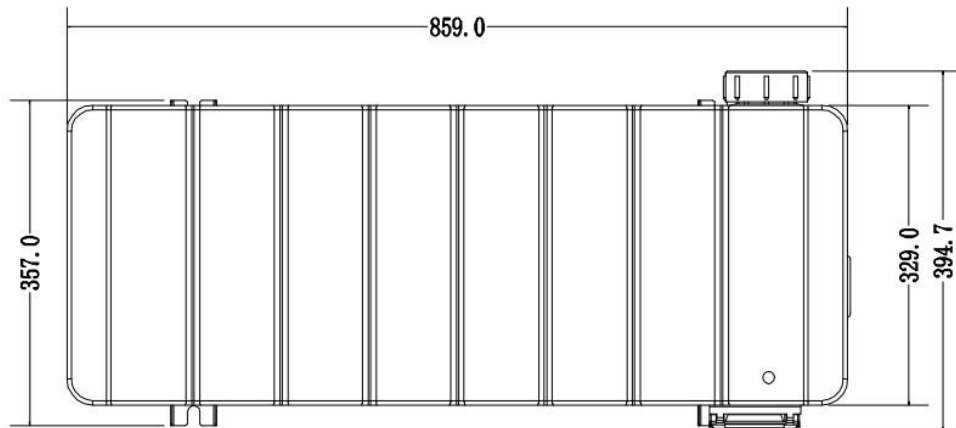
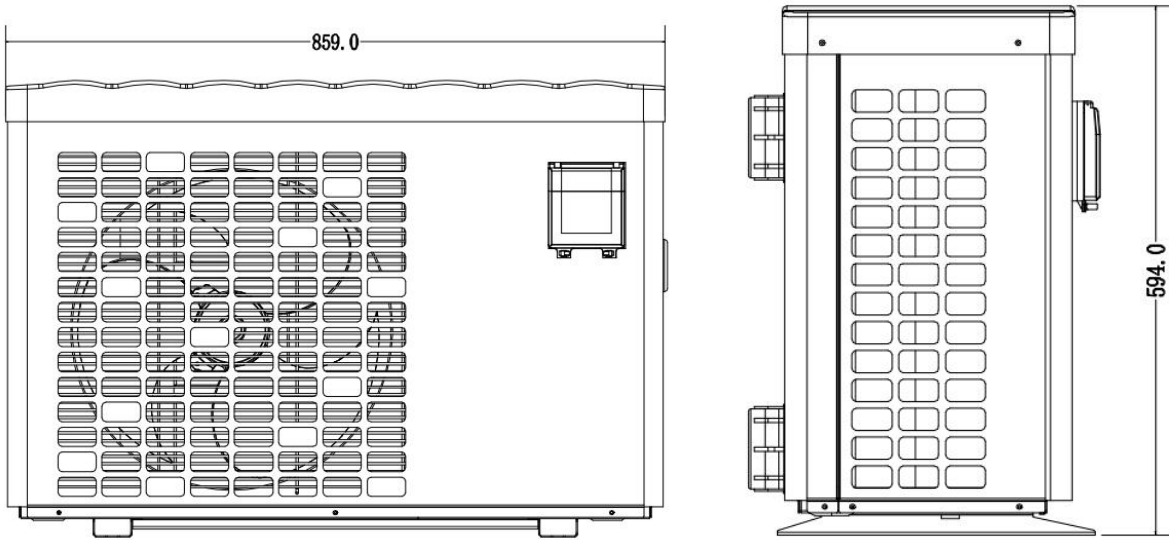
Modell		74152	74153	74154	74155	74156
Artikelnummer		VSN-10	VSN-12	VSN-15	VSN-17	VSN-21
<b>*Leistung bei Luft 28°C, Wasser 28°C, Luftfeuchtigkeit 80%</b>						
Heizleistung	kW	10-3.5	12-4.8	15-5	17-5.3	21-4.7
Energieverbrauch	kW	1.61-0.43	1.96-0.6	2.5-0.63	2.85-0.66	3.39-0.59
C.O.P.		8.5-6.2	8.5-6.1	8.5-6	8.5-6	8.5-6.2
<b>* Leistung bei Luft 15°C, Wasser 26°C, Luftfeuchtigkeit 70%</b>						
Heizleistung	kW	7-2.5	8.5-3.5	10-3.6	12-3.8	15-3.9
Energieverbrauch	kW	1.65-0.43	1.98-0.6	2.38-0.62	2.8-0.66	3.5-0.67
C.O.P.		5.8-4.2	5.8-4.3	5.8-4.2	5.8-4.3	5.8-4.3
<b>* Allgemeine Daten</b>						
Kompressorart		Inverter Kompressor				
Netzspannung	V	220~240V / 50Hz or 60Hz /1PH				
Nennstrom	A	7.20	8.70	11.00	11.90	15.00
Mindestsicherung	A	11.00	13.00	17.00	18.00	23.00
Empfohlener Wasserfluss	m <sup>3</sup> /h	2.80	3.70	4.00	4.60	5.00
Wasserdruckabfall	Kpa	12	14	15	15	18
Wärmetauscher		Twist-Titan-Rohr aus PVC				
Wasserverbindung	mm	50				
No. of Fan		1				
Ventilation type		Horizontal				
Geräuschpegel (10m)	dB(A)	28-35	29-37	30-39	30-39	32-41
Geräuschpegel (1m)	dB(A)	45-52	46-54	47-56	47-56	49-58
Gasmenge(R32)	g	650	750	950	1100	1500
CO2 gleichwertig	Tonne	0.44	0.51	0.64	0.74	1.01
<b>* Dimension/ Weight</b>						
Nettogewicht	kg	56.00	68.00	73.00	78.00	98.00
Bruttogewicht	kg	68.00	73.00	78.00	83.00	113.00
Nettodimension	mm	859*394.7*594	987*418.7*693.5			1074*462.6*894
Verpackung Dimension	mm	890*425*630	1015*445*715			1105*490*920

\*Vorstehende Daten können ohne vorherige Ankündigung geändert werden

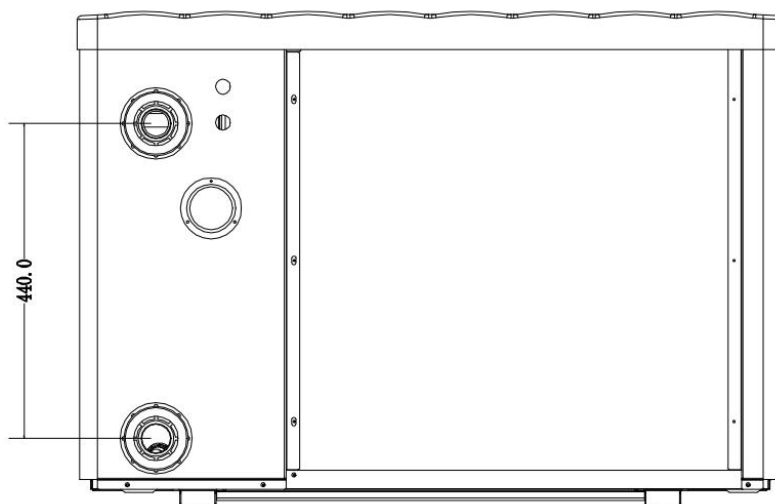
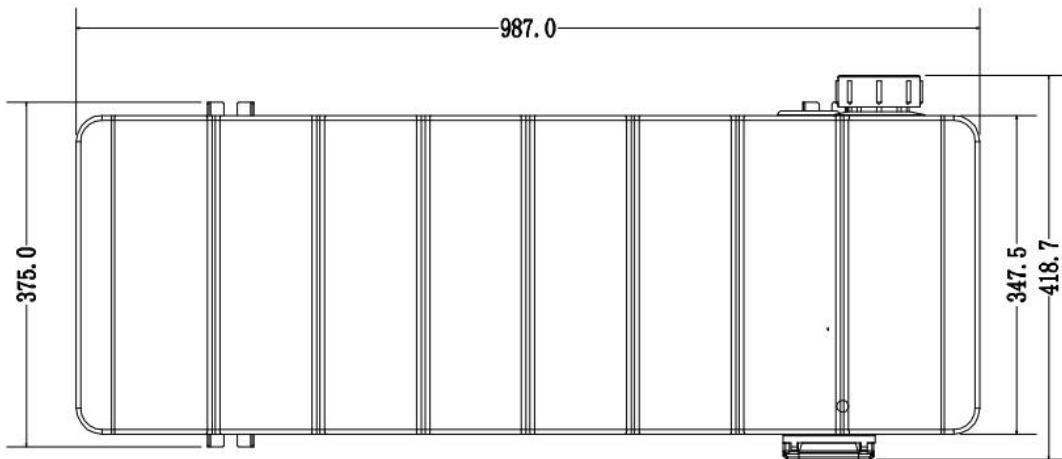
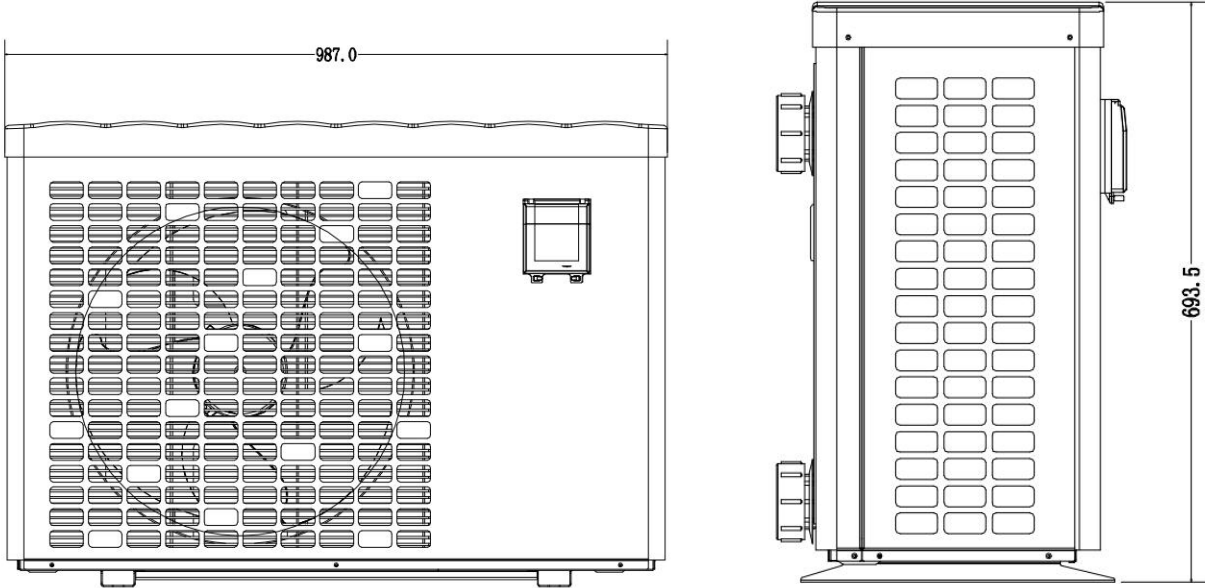
## 2. Ausmaße (mm)

2. unit:mm

Model:VSN-10

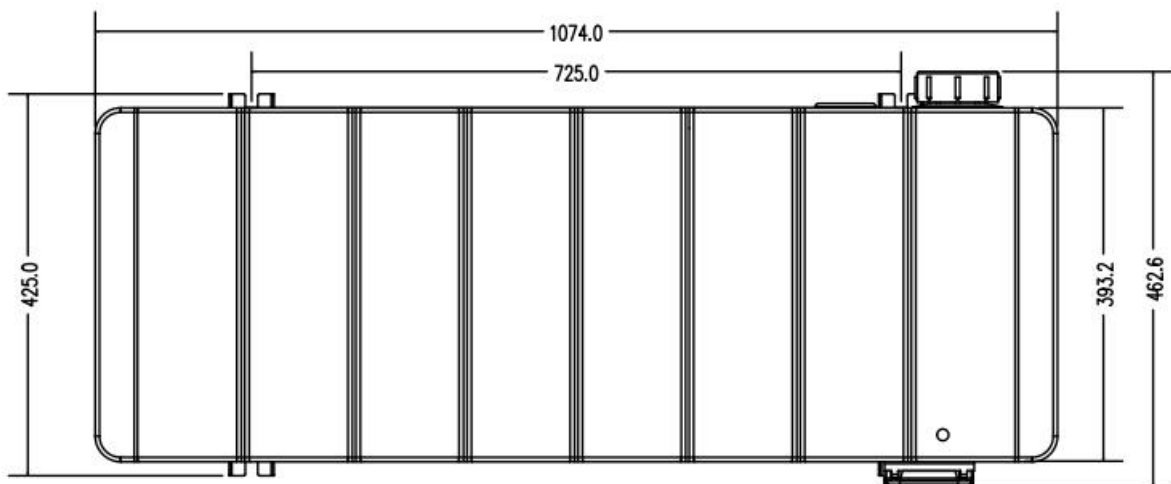
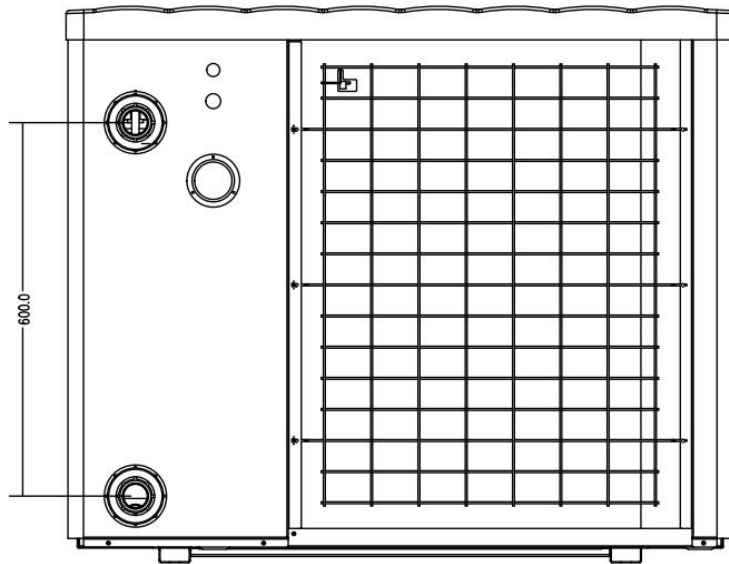
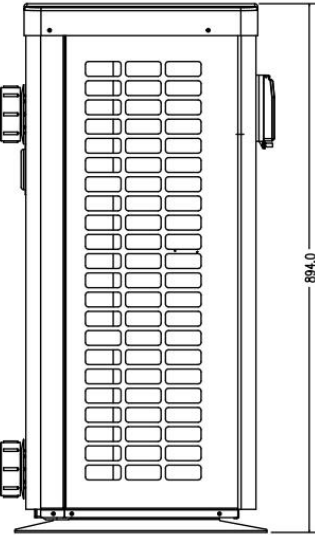
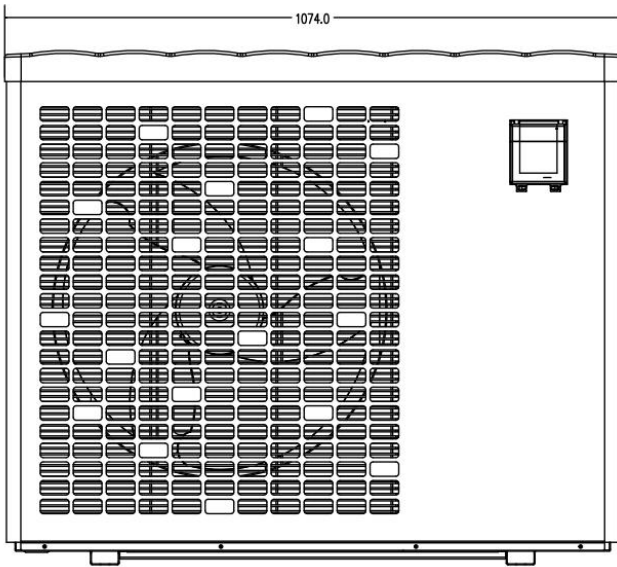


Model: VSN-12 & VSN-15 & VSN-17





Model:VSN-21



### 3. Installation und Anschluss

#### 3.1 Anmerkungen

Die Fabrik liefert nur die Wärmepumpe. Alle anderen Komponenten, einschließlich eines Bypasses wenn nötig, müssen durch den Benutzer oder den Installateur gestellt werden.

#### Achtung:

Bitte halten Sie beim Installieren der Wärmepumpe folgende Regeln ein:

1. Jeder Zusatz von Chemikalien muss in der Rohrleitung stromabwärts der Wärmepumpe stattfinden.
2. Installieren Sie eine Bypass, wenn der Wasserfluss aus der Schwimmbadpumpe mehr als 20% größer ist als der maximal zulässige Durchfluss durch den Wärmetauscher der Wärmepumpe ist. Installieren Sie die Wasserpumpe über dem Wasserspiegel.
3. Stellen Sie die Wärmepumpe immer auf ein solides Fundament und bringen Sie die mitgelieferten Gummilager an um Vibrationen und Lärm zu vermeiden.
4. Die Wärmepumpe sollte immer lotrecht gehalten werden. Wenn das Gerät in einem Winkel gehalten wurde, warten Sie mindestens 24 Stunden bevor Sie sie verwenden.

#### 3.2 Positionierung der Wärmepumpe

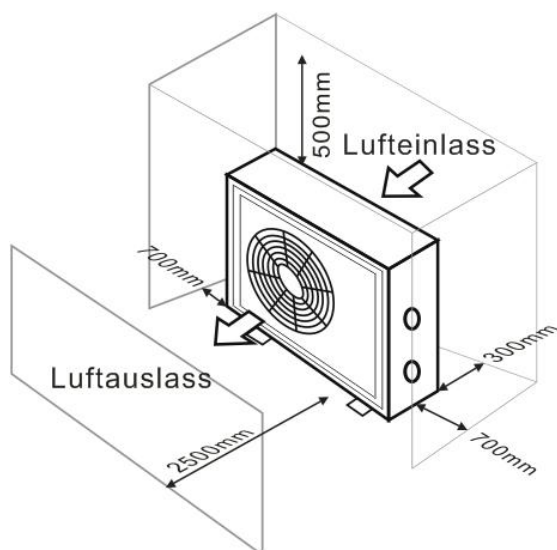
Die Einheit wird an jeder gewünschten Position richtig arbeiten, solange die folgenden drei Elemente vorhanden sind:

1. Frische Luft – 2. Elektrizität – 3. Schwimmbecken-filter

Die Einheit kann praktisch an jedem Standort im Außenbereich installiert werden, solange die angegebenen Mindestabstände zu anderen Objekten eingehalten werden (siehe Zeichnung unten). Bitte konsultieren Sie für die Installation an einem Indoor-pool einen Installateur. Die Installation an einem windigen Ort bereitet, anders als bei einem Gas-Heizer keinerlei Probleme.

**ACHTUNG:** Installieren Sie die Einheit niemals in einem geschlossenen Raum mit begrenztem Luftvolumen, wo die von der Einheit ausgestoßene Luft wiederverwendet wird, oder nahe an Sträuchern, die den Lufteinzug blockieren könnten. Solche Positionen beeinträchtigen die kontinuierliche Zufuhr von Frischluft, was die Effizienz reduziert, und möglicherweise auch die Wärmeabgabe behindert.

Für die minimalen Maße siehe Zeichnung unten:



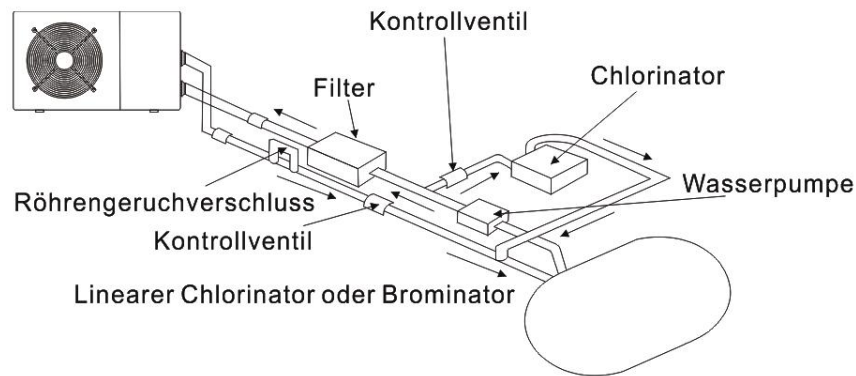
### 3.3 Abstand zu ihrem Schwimmbecken

Die Wärmepumpe wird in der Regel in einem Umkreis Gebiet, das sich 7,5 m vom Schwimmbecken erstreckt installiert. Je größer der Abstand zum Pool, desto größer ist der Wärmeverlust in den Röhren. Da die Röhren meist unterirdisch installiert werden ist der Wärmeverlust gering für Abstände bis zu 30 m (15 m von und zur Pumpe, 30 m insgesamt), sofern der Boden nass und der Grundwasser spiegel hoch ist. Eine grobe Schätzung des Wärmeverlustes pro 30 m ergibt 0,6 kWh (2.000 BTU) für jede 5 °C Differenz zwischen der Wassertemperatur im Pool und der Temperatur des Bodens rund um das Rohr. Dies erhöht die Betriebszeit um 3 bis 5%.

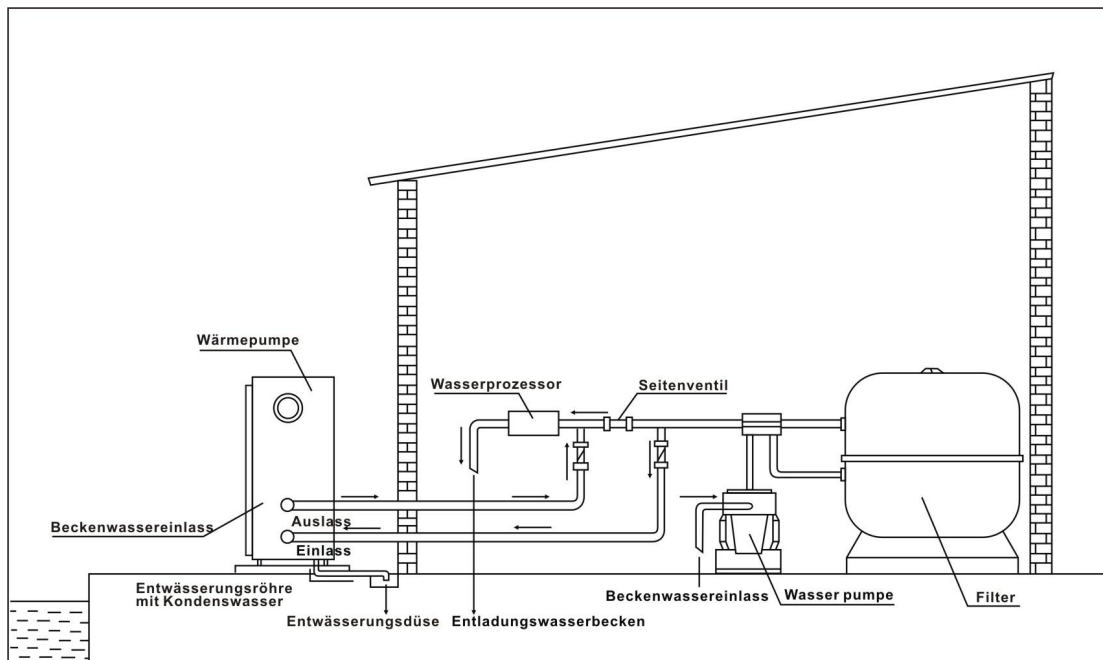
### 3.4 Installation des Sperrventils

Hinweis: Wenn ein automatisches Dosiergerät für den Chlor und Säuregehalt (pH) verwendet wird, ist es wichtig, die Wärmepumpe vor zu hohen chemischen Konzentrationen, die den Wärmetauscher korrodieren könnten, zu schützen. Aus diesem Grund müssen Geräte dieser Art stets in der Rohrleitung auf der stromabwärtigen Seite der Wärmepumpe montiert werden, und es wird empfohlen, ein Rückschlagventil zu installieren, um eine Rückströmung in der Abwesenheit von Wasserzirkulation zu verhindern.

Schäden an der Wärmepumpe, die durch Nichtbeachten dieser Vorschrift entstehen, werden nicht durch die Garantie gedeckt.

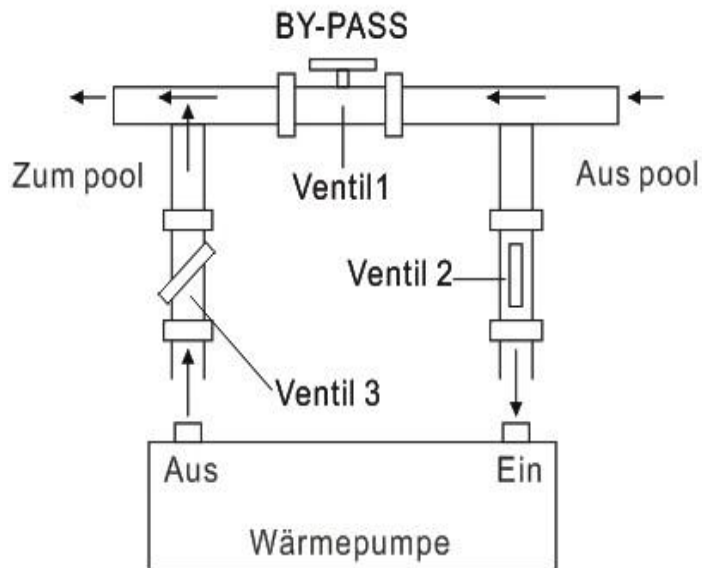


### 3.5 Typische Anordnung



**Anmerkung: Diese Anordnung ist nur ein illustratives Beispiel.**

### 3.6 Einstellen des Bypasses



Bitte nehmen Sie die folgenden Schritte ein, um den Bypass anzupassen:

1. Valve 1 weit offen. Ventil 2 & Ventil 3 geschlossen.
2. Ventil 2 & Ventil 3 um die Hälfte öffnen, dann das Ventil 1 langsam schließen, um den Wasserfluss zum Ventil 2 & Ventil 3 zu erhöhen.
3. Wenn es auf dem Display "ON" oder "EE3" anzeigt, bedeutet dies, dass der Wasserfluss in die Wärmepumpe nicht ausreicht, dann müssen Sie die Ventile einstellen, um den Wasserfluss durch die Wärmepumpe zu erhöhen.

So erhalten Sie den optimalen Wasserfluss:

Bitte schalten Sie die Wärmepumpe unter Heizfunktion ein, schließen Sie zuerst den Bypass und öffnen Sie diese langsam, um die Wärmepumpe zu starten (die Maschine kann nicht laufen, wenn der Wasserdurchfluss nicht ausreicht).

Fahren Sie mit der Einstellung des Bypasses fort, währenddessen die Einlasswassertemperatur überprüft wird. & Outlet Wassertemperatur, es wird optimal sein, wenn der Unterschied um 2 Grad ist.

### 3.7 Stromanschluss

**Hinweis: Obwohl die Wärmepumpe elektrisch vom Rest des Schwimmbades isoliert ist, verhindert das nur den Fluss von elektrischem Strom an oder aus dem Wasser in den Pool. Erdung ist weiterhin zum Schutz gegen Kurzschlüsse im Inneren des Gerätes erforderlich. Sorgen Sie immer für eine gut geerdete Verbindung.**

**Warnung:** Vor Arbeiten im Gerät müssen Sie die Stromversorgung des Geräts unterbrechen, da die Gefahr eines Stromschlags besteht, der zu Materialschäden, schweren Verletzungen oder sogar zum Tod führen kann.

- **Falsch angezogene Klemmen können dazu führen, dass sich der Klemmenkasten erwärmt, wodurch die Garantie ungültig wird.**
- **Nur ein qualifizierter und erfahrener Techniker ist berechtigt, Kabelarbeiten im Gerät durchzuführen oder das Netzkabel auszutauschen.**

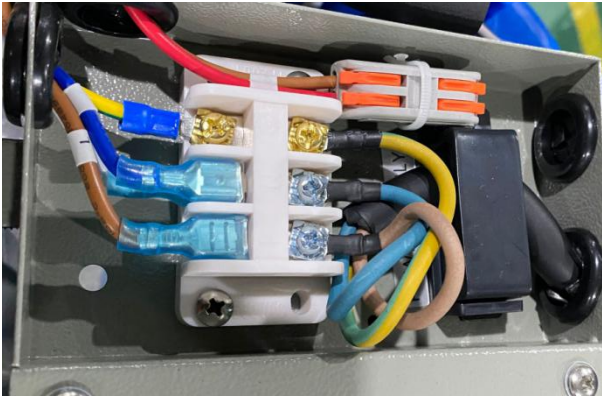
Bevor Sie das Gerät anschließen, stellen Sie sicher dass die vorliegende Spannung mit der Betriebsspannung der Wärmepumpe übereinstimmt.

Es wird empfohlen, die Wärmepumpe an einen Stromkreis mit eigener Sicherung oder einem Schutzschalter (langsamer Typ, Kurve D) und ausreichende Verkabelung anzuschließen .

Verbinden Sie die Stromkabel mit der als "POWER SUPPLY" markierten Klemmleiste.

Eine zweite Klemmleiste welche mit 'WATER PUMP' markiert ist, befindet sich neben der ersten. Die Filterpumpe (max. 5 A / 0 V) kann mit der zweiten Klemmleiste verbunden werden. Das erlaubt es die Filterpumpe durch die Wärmepumpe zu kontrollieren.


Anmerkung: Im Fall des Drei-Phasen-Modells, können zwei vertauschte Phasen dazu führen dass der Motor in die umgekehrte Richtung läuft, was zu einem Maschinenschaden führen kann. Aus diesem Grund hat das Gerät eine integrierte Schutzeinrichtung, die den Stromkreis unterbricht, wenn die Verbindung nicht korrekt ist. Wenn die rote LED-Lampe oberhalb dieser Sicherheitseinrichtung leuchtet, **müssen Sie die Anschlüsse von zwei der Phasenleiter vertauschen.**



### 3.8 Erstinbetriebnahme

**Hinweis: Um das Wasser im Becken (oder Whirlpool) zu erwärmen, muss die Filterpumpe aktiviert werden, damit das Wasser durch die Wärmepumpe zirkulieren kann. Die Wärmepumpe wird nicht starten wenn das Wasser nicht zirkuliert.**

Nachdem alle Verbindungen hergestellt und geprüft sind, führen Sie die folgenden Schritte durch:

1. Schalten Sie die Filterpumpe aus. Prüfen Sie ob es ein Leck gibt, und stellen Sie sicher dass das Wasser vom und zum Schwimmbecken fließt.
2. Schließen Sie die Wärmepumpe an ein Stromnetz an und betätigen Sie die On/Off Taste  auf dem Bedienfeld. Das Gerät startet dann nach einer bestimmten Verzögerungszeit.
3. Überprüfen Sie nach ein paar Minuten ob die herausströmende Luft schon kühler ist.
4. Bei Ausschalten der Pumpe, sollte das Gerät auch automatisch ausschalten, wenn nicht, dann schalten Sie den Strömungswächter an.

Je nach Ausgangstemperatur des Wassers im Schwimmbad und der Lufttemperatur, kann es mehrere Tage dauern das Wasser auf die gewünschte Temperatur zu erwärmen. Eine gute Schwimmbadabdeckung könnte die erforderliche Zeit drastisch reduzieren.

Strömungswächter:

**Er soll sicherstellen dass das HP Gerät mit einer ausreichenden Durchflussrate läuft. Er wird eingeschaltet, wenn die Pool-Pumpe läuft und schaltet sich automatisch wieder aus, wenn die Pumpe abgeschaltet wird.**

**Zeitverzögerung - Die Wärmepumpe hat eine eingebaute 3-Minuten-Anlaufverzögerung, um die Schaltung zu schützen und übermäßigen Verschleiß der Kontakte zu vermeiden. Das Gerät startet automatisch neu, nachdem diese Zeitspanne abgelaufen ist. Selbst ein kurzer Stromausfall löst diese Zeitverzögerung aus, und verhindern so, dass das Gerät nach einem Neustart sofort wieder läuft. Zusätzliche Stromunterbrechungen während dieser Verzögerung haben keinen Einfluss auf die 3-Minuten Dauer der Verzögerung.**

### 3.9 Kondensation

Die Luft die in die Wärmepumpe gezogen wird ist stark durch den Betrieb der Wärmepumpe zur Erwärmung des Beckenwassers abgekühlt, was zu Kondensation an den Rippen des Verdampfers führen könnte. Die Menge an Kondensationsprodukt kann bei relativ hoher Luftfeuchtigkeit mehrere Liter pro Stunde betragen. Daraus wird oft fälschlicherweise auf das Vorhandensein von Wasserlecks geschlossen.

### 3.10 Betriebsarten für optimalen Einsatz

- POWERFUL: Wird hauptsächlich zu Beginn der Saison verwendet, da dieser Modus einen sehr schnellen Temperaturanstieg erlaubt
- SMART: Die Wärmepumpe hat ihre primäre Aufgabe in diesem Modus erfüllt; Ist die Wärmepumpe in der Lage,

das Schwimmbadwasser energieeffizient zu halten. Durch die automatische Einstellung der Drehzahl des Verdichters und des Gebläses liefert die Wärmepumpe eine bessere Rückkehr.

- SILENT: In den Sommermonaten, in denen die Wärmeleistung minimal benötigt wird, ist die Wärmepumpe in diesem Modus noch rentabler. Zusatznutzen; Wenn die Wärmepumpe sich erwärmt. Es geht mit minimaler Geräuschbelastung.

## 4. Zubehör und Optionen

### 4.1 Zubehörliste

 <p>Vibrationsdämpfer, 4 Stück</p>	 <p>Entwässerungsdüse, 2 Stück</p>	 <p>Wasserdichte Box, 1 Stck</p>
 <p>Winterhülle, 1 Stck</p>	 <p>Wasserabflussrohre, 2 Stück</p>	 <p>10M Signalkabel, 1 Stck</p>

### 4.2 Installation des Zubehörs

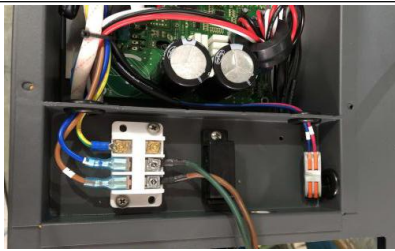
	<p><b>Vibrationsdämpfer</b></p> <ol style="list-style-type: none"> <li>1. Nehmen Sie 4 Vibrationsdämpfer heraus</li> <li>2. Legen Sie einen nach dem anderen wie im Bild gezeigt unter die Maschine.</li> </ol>
 	<p><b>Entwässerungsdüse</b></p> <ol style="list-style-type: none"> <li>1. Installieren Sie die Entwässerungsdüse unter dem unteren Bedienfeld.</li> <li>2. Verbinden Sie sie mit einem Wasserschlauch, um das Wasser abzuleiten.</li> </ol> <p>Note: Heben Sie die Pumpe an um die Düse zu installieren. Überdrehen Sie die Wärmepumpe niemals, das könnte den Kompressor beschädigen.</p>





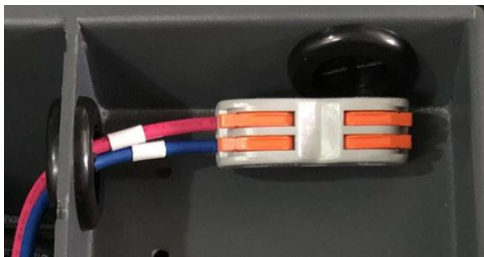
#### Verbindung von Wasser Ein- und Austritt

1. Verwenden Sie das Dichtband, um den Wasser-ein-und-Auslass an die Wärmepumpe anzuschließen.
2. Schließen Sie die zwei Glieder wie in der Abbildung gezeigt an.
3. Drehen Sie sie in den Wasser-Ein-Auslass



#### Verkabelung

1. Öffnen Sie die Klemmenabdeckung
2. Befestigen Sie das Stromversorgungskabel an den Gelenken



#### Verkabelung der Wasserpumpe

1. Öffnen Sie die Klemmenabdeckung
2. Mit den Anschlüssen 1 und 2 können Sie die Wasserfiltration durch den Timer der Filtration steuern (trockener Kontakt).

### 4.3 Connexion à la pompe de filtration

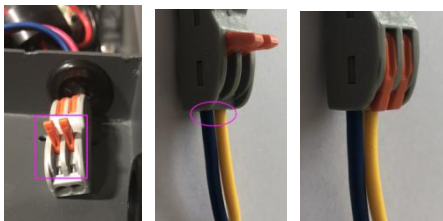


Foto 1

Foto 2

Foto 3

- Öffnen Sie die Taste nach oben als (Foto 1)
- Befestigen Sie die trockene Kontaktverdrahtung durch die beiden Löcher als (Foto 2 & Foto 4)
- Drücken Sie die Taste und ziehen Sie die Verdrahtung als (Foto 3)

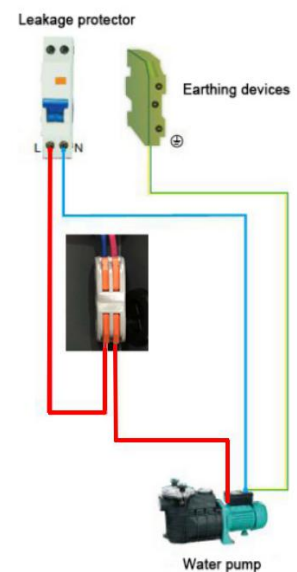


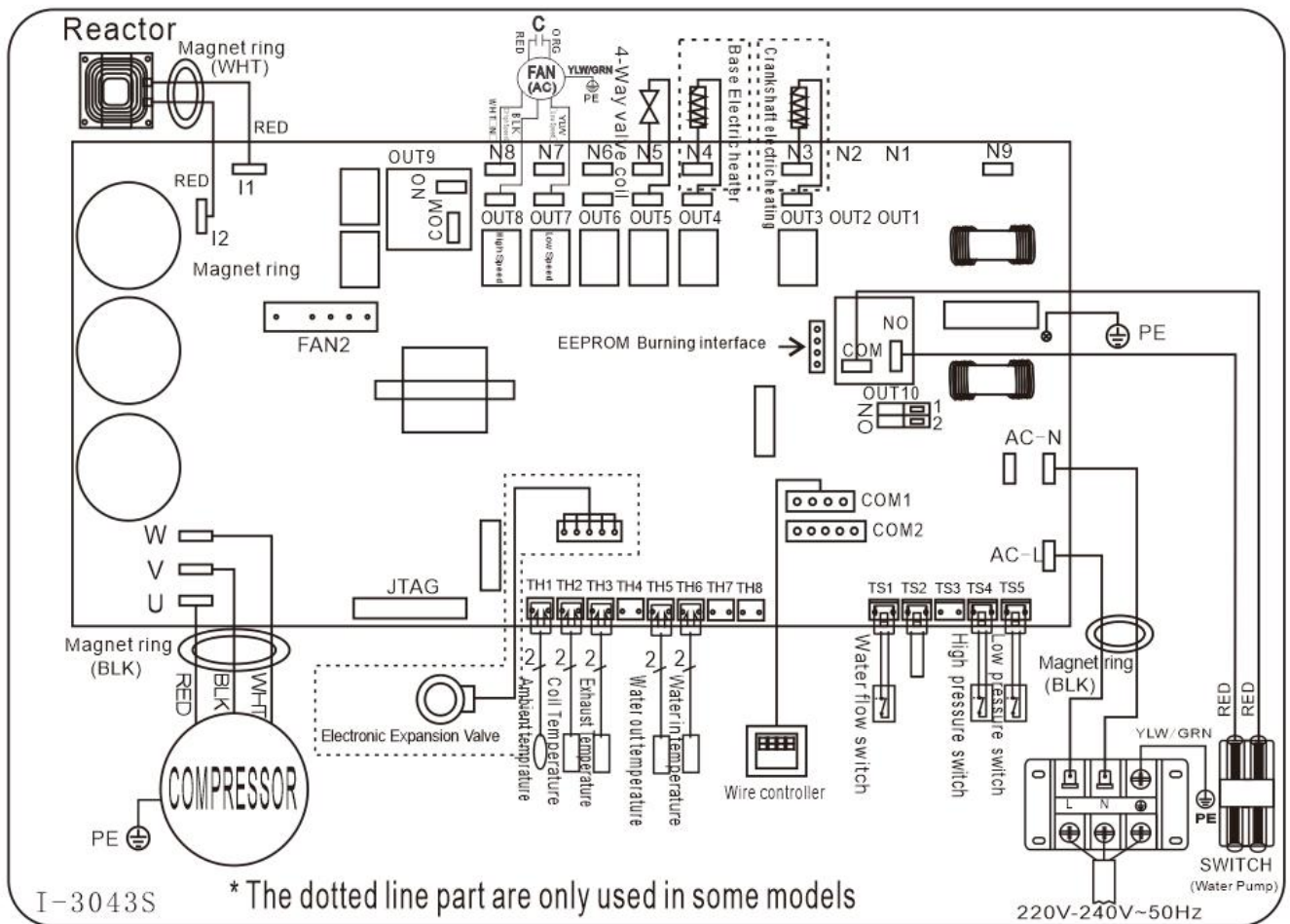
Foto 4

## 5. Elektronische Anschlüsse

### 5.1 Inverter-Schwimmbad-Wärmepumpe-Schaltplan

Ref: BEXP05i/BEXP07i/BEXP09i/BEXP11i/BEXP14i/BEXP16i/BEXP18i/BEXP20i

VSN-10 / VSN-12 / VSN-15 / VSN-17 / VSN-21



#### HINWEIS:

(1) Der Schaltplan dient nur zu ihrer Referenz

(2) Die Schwimmbecken-Wärmepumpe muss gut geerdet sein, auch wenn der Wärmewechsler vom Rest der Einheit elektrisch isoliert ist. Die Erdung ist dennoch wichtig, um Sie vor Kurzschlüssen im Inneren des Gerätes zu schützen. Verkleben ist ebenfalls erforderlich.

(3) Es wird empfohlen, dass Ihre Pool-Filterpumpe und Ihre Wärmepumpe unabhängig voneinander verdrahtet sind. Wenn Sie Ihre Poolpumpe mit der Wärmepumpe verdrahten, wird Ihre Filterung nach dem Poolwasser abgeschaltet hat die Temperatur erreicht. Verdrahten Sie die Poolpumpe nur durch die Wärmepumpe, wenn Sie nur eine Poolpumpe zum Heizen haben, die unabhängig ist Ihr Pool-Filterssystem.

**Unterbrecher:** Ein Unterbrecher (d.h. ein circuit breaker, fused or un-fused switch) sollte in Sichtweite und vom Gerät aus leicht erreichbar positioniert werden..Das ist bei kommerziellen und häuslichen Wärmepumpen so üblich. Es schützt davor unbeaufsichtigte Einheiten mit Strom zu versorgen, und erlaubt die Einheit auszuschalten während sie verwendet wird.



## 5.2 Installation des Displays

Foto(1)



Foto(2)



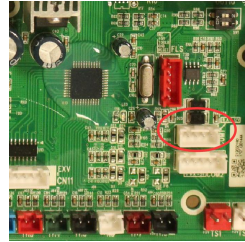
Foto(3)



Foto(4)



Foto(5)



- Die Seite mit Stecker verbindet sich mit dem Bedienfeld (Foto1)
- Die andere Seite des Signalkabels. (Foto2)
- Öffnen Sie das Anschlussfeld und stecken Sie die Seite ohne Stecker durch die Schaltbox. (Foto3,4)
- Stecken Sie die Verkabelung in die gekennzeichnete Position (Code: COM 1 oder COM-L) auf der Platine. (Foto5)

## 6. Steuerung der Anzeige


### 6.1. Betriebsanleitung




Wenn die Wärmepumpe an die Stromversorgung angeschlossen wird, zeigt die LED-Anzeige 3 Sekunden lang einen Code an, der das Wärmepumpenmodell anzeigt.


### 6.2 Die Tasten und ihre Bedienung

#### 6.2.1 Taste

Betätigen Sie , um die Wärmepumpe zu starten, zeigt die LED-Anzeige die gewünschte Wassertemperatur für 5 Sekunden, dann die Einlasswassertemperatur und den Betriebsmodus an.

Drücken Sie , um die Wärmepumpe zu stoppen und "OFF"

Achtung: Drücken Sie während der Überprüfung und Einstellung des Parameters die Taste , um die aktuelle Einstellung zu beenden und die aktuelle Einstellung zu speichern.



Drücken Sie erneut , um das Gerät ein- oder auszuschalten.

### 6.2.2 -Taste

Schaltet den Heizmodus und Auto-Modus ein.

### 6.2.3 Taste und

Clock / unlock die Anzeige:

Halten Sie  und  für 5 Sekunden, um die Anzeige zu sperren / zu entsperren.

Wassertemperatur: Drücken Sie  oder , um die Wassertemperatur direkt einzustellen.

Parameterprüfung:

Drücken Sie zuerst  und drücken Sie dann , um den Benutzerparameter von d0 bis d11 zu überprüfen



Code	Bedingung	Umfang	Anmerkung
d0	IPM Werkzeugtemperatur	0-120°C	Realer Prüfwert
d1	Einlaufwassertemp.	-9°C ~ 99°C	Realer Prüfwert
d2	Auslaufwassertemp.	-9°C ~ 99°C	Realer Prüfwert
d3	Umgebungstemperatur.	-30°C ~ 70°C	Realer Prüfwert
d4	Frequency Begrenzungscode	0,1,2,4,8,16	Realer Prüfwert
d5	Rohrleitungstemp.	-30°C ~ 70°C	Realer Prüfwert
d6	Abgastemperatur	0°C ~ C5°C (125°C)	Realer Prüfwert
d7	Schritt der EEV	0 ~ 99	N*5
d8	Betriebsfrequenz des Verdichters	0 ~ 99Hz	Realer Prüfwert
d9	Verdichterstrom	0 ~ 30A	Realer Prüfwert
d10	Aktuelle Lüfterdrehzahl	0-1200 (rpm)	Realer Prüfwert
d11	Fehlercode für das letzte Mal	Allen Fehlercode	

Drücken Sie zuerst  und drücken Sie dann , um den Benutzerparameter von P1 auf P7 zu prüfen / einzustellen

Code	Name	Umfang	Standard	Anmerkung
P0	Mandatory Abtauen	0-1	0	0: Standard Normalbetrieb, 1: Mandatory Abtauen

P1	Arbeitsmodus	0-1	1	1 Heizbetrieb, 0 Kühlbetrieb
P2	Timer ein / aus	0-1	0	1 Timer ein / aus ist unter Funktion, 0 Timer ein / aus ist außer Funktion (Die Einstellung von P5 und P6 funktioniert nicht)
P3	Wasserpumpe	0-1	0	1 Immer laufend, 0 Abhängig vom Betrieb des Kompressors
P4	Aktuelle Uhrzeit	HH:MM	0:00	<u>0-23:0-59</u>
P5	Timer an	HH:MM	0:00	<u>0-23:0-59</u>
P6	Timer ausgeschaltet	HH:MM	0:00	<u>0-23:0-59</u>
P7	Einlaufwasserte mp. Korrektur	-9~9	0	Voreinstellung: 0

#### 6.2.4 Systemresetfunktion

Drücken Sie  und  in 10s, das System setzt zurück und zeigt "0000" auf dem Steuerpult an.

#### 6.2.5

Symbol der Heizung, das Licht ist eingeschaltet, wenn es in Betrieb ist.

Beim Abtauen blinkt das Licht.

#### 6.2.6

Symbol der Abkühlung, das Licht ist eingeschaltet, wenn es in Betrieb ist.

#### 6.2.7

Symbol des automatischen Stopps, das Licht leuchtet, wenn es in Betrieb ist.

#### 6.2.8

Symbol für automatischen Start, das Licht leuchtet, wenn es in Betrieb ist.

#### 6.2.9

Betätigen Sie diesen Knopf, die Lampe blinkt, die Wärmepumpe arbeitet nur im vollen Ausgang.

#### 6.2.10

Während Sie den Smart auswählen, wird die Wärmepumpe nur in "Medium Ooutput" und "Full Ooutput "

Bei 'Medium Ooutput' blinkt das Licht von Smart.

Wenn in "Full Ooutput" die Lampe von Smart leuchtet, blinkt die Lampe Powerful.

#### 6.2.11


Während Sie die Silent wählen, wird die Wärmepumpe nur in "Medium Output" und "Small Output"

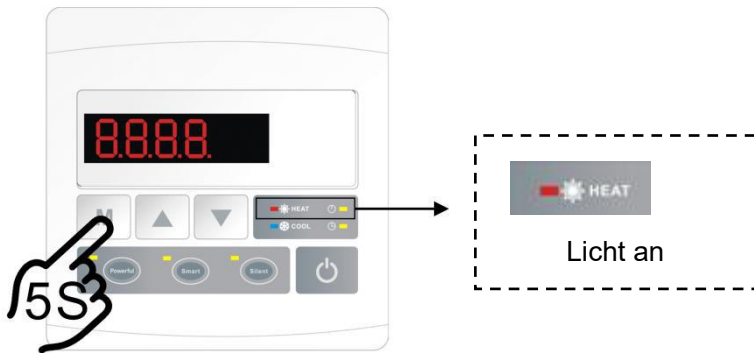
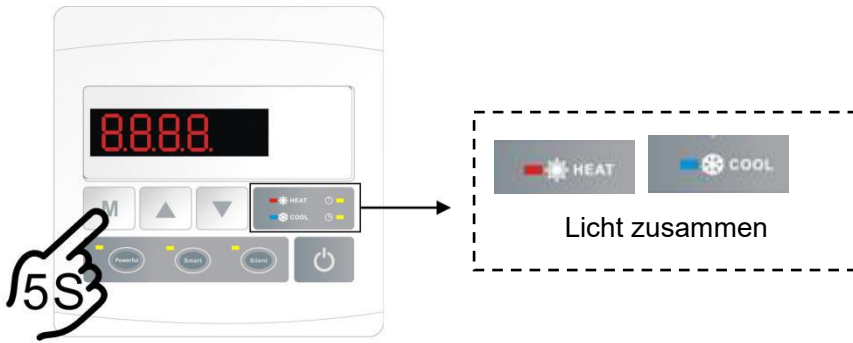
Wenn im Modus "Kleine Ausgabe" das Licht von Silent blinkt.

Wenn bei "Medium Output" die Lampe von Silent leuchtet, blinkt die Lampe des Smart.

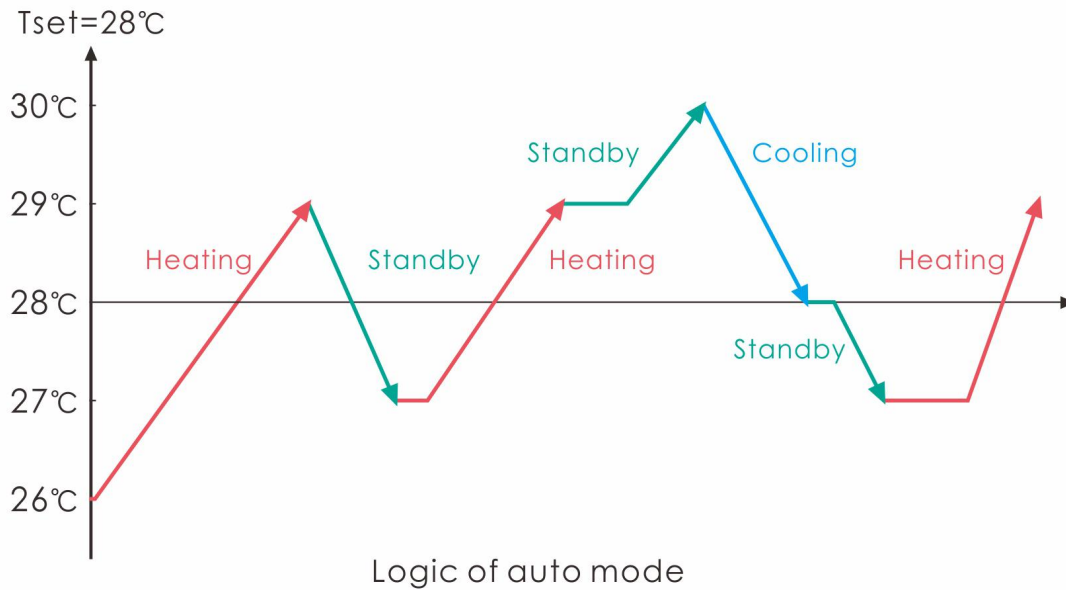
### 6.2.12 Auto-Modus

Es gibt 3 Modelle für das Gerät: Nur Heizen, Auto-Modus (Heiz- und Kühlschalter), Nur Kühlen. Sie können den

Heizmodus und den Automatikmodus durch Drücken von  für 5 Sekunden umschalten, unabhängig davon, ob das Gerät ein- oder ausgeschaltet ist.



### Betriebslogik des Auto-Modus



### 6.3 Heizpriorität (siehe Abschnitt 6.8), Anschlussmöglichkeit

**Option 1 Die Wasserpumpe ist mit dem Betrieb der Wärmepumpe zum Starten oder Stoppen verbunden.**

Die Wasserpumpe startet 60s vor dem Kompressor, die Wasserpumpe startet 30s und erfasst dann den Wasserflussschalter. Wenn die Wärmepumpe in den Standby-Modus wechselt, stoppt die Kompressors nach dem Stopp des Wasserpumpe 5 Minuten.

Die Wasserpumpe wird für 5 Minuten neu gestartet und dann gestoppt, wenn die Standby-Zeit mehr als 1 Stunden beträgt.

	Bedingung	Beispiel	Funktionslogik der Wasserpumpe
Heizmodus	$P3=0,$ $T1 \geq T_{set}-0.5^{\circ}\text{C},$ 30 Minuten dauern	$P3=0,$ $T1 \geq 27.5^{\circ}\text{C},$ 30 Minuten dauern	Die Wasserpumpe wechselt für 1 Stunden in den Standby-Modus und startet nur außer, die Stromversorgung abzuschalten und neu zu starten. Die Wärmepumpe startet 5 Minuten nach dem Verlassen der Wasserpumpe aus dem Standby-Modus, um die Wassertemperatur T1 erneut zu ermitteln.
Kühlmodus	$P3=0,$ $T1 \leq T_{set}+0.5^{\circ}\text{C},$ 30 Minuten dauern	$P3=0,$ $T1 \leq 28.5^{\circ}\text{C},$ 30 Minuten dauern	Die Wasserpumpe wechselt für 1 Stunden in den Standby-Modus und startet nur außer, die Stromversorgung abzuschalten und neu zu starten. Die Wärmepumpe startet 5 Minuten nach dem Verlassen der Wasserpumpe aus dem Standby-Modus, um die Wassertemperatur T1 erneut zu ermitteln.

#### Option 2 Filterpumpe ist immer an (P3 = 1)

Unter der Bedingung  $P3 = 1$ , wenn  $T1 \geq T_{set}+1^{\circ}\text{C}$  ( $T1 \geq 29^{\circ}\text{C}$ ) 3 Minuten dauern, befindet sich die Wärmepumpe im Standby-Modus, während die Filterpumpe immer eingeschaltet ist.

Wenn die Wärmepumpe manuell ausgeschaltet wird oder ZEIT AUS ist, stoppt die Filterpumpe entsprechend. Unter Option 2 mit Aktivierung des Timers;  $P2 = 1$  zum Starten und Stoppen der Filtrationspumpe gemäß der Programmierung von P4 (Zeit), P5 (Timer EIN) und P6 (Timer AUS)

#### Bedingung für den Start der Wärmepumpe, Timer EIN ist aktiv;

Wenn der Timer die eingestellte Zeit von TIMER ON erreicht, startet die Filtrationspumpe und nach 5 Minuten startet die Wärmepumpe. Die Wärmepumpe bleibt angehalten, wenn die Wassertemperatur  $\geq T_{set} + 1^{\circ}\text{C}$  ( $T1 \geq 29^{\circ}\text{C}$ ) ist. Vor dem TIMER OFF ist die Filtration immer noch aktiviert.

#### Bedingung zum Stoppen der Wärmepumpe, Timer AUS ist aktiv;

Wenn der Timer die eingestellte Zeit von TIMER OFF erreicht, stoppt die Wärmepumpe und nach 5 Minuten stoppt die Filtrationspumpe.

#### HINWEIS :

$T_{set}$  = Tseting Wassertemperatur

Zum Beispiel :  $T_{set} = 28^{\circ}\text{C}$  Tseting wassertemperatur in Ihrer Pool-Wärmepumpe

$T_{set}-0.5$  = less  $0.5^{\circ}\text{C}$  than Tseting temperatur;  $T_{set}-0.5 = 28-0.5=27.5^{\circ}\text{C}$

$T_{set}+0.5$  = more  $0.5^{\circ}\text{C}$  than Tseting temperatur;  $T_{set}+0.5 = 28+0.5=28.5^{\circ}\text{C}$

## 6.4 Heizungslogik

Arbeits status		Arbeitsmodus	Wasser in der Temperatur-T1	Zum Beispiel, Wasser in der Temperatur-T1	Arbeitsniveau der Wärmepumpe
1	Inbetriebnahme der Wärmepumpe	Wenn Sie den "Smart-Arbeitsmodus" wählen	$T1 < Tset-1$	$T1 < 27^{\circ}C$	Powerful mode-Frequenz F9
2			$Tset-1 \cong T1 < Tset$	$27^{\circ}C \cong T1 < 28^{\circ}C$	Frequenz: F9 -F8-F7,...,-F2
3			$Tset \cong T1 < Tset+ 1$	$28^{\circ}C \cong T1 < 29^{\circ}C$	Silent mode-frequency F2
4			$T1 \cong Tset+1$	$T1 \cong 29^{\circ}C$	HP wird Standby sein, aufhören zu arbeiten, bis die Wassertemperatur auf weniger als $28^{\circ}C$ fällt.
5		Wenn Sie den "Stillen Arbeitsmodus" wählen.	$T1 < Tset$	$T1 < 28^{\circ}C$	Smart mode -Frequenz F5.
6			$Tset \cong T1 < Tset+1$	$28^{\circ}C \cong T1 < 29^{\circ}C$	Silent mode-Frequenz F2/F1.
7			$T1 \cong Tset+1$	$T1 \cong 29^{\circ}C$	HP wird Standby sein, aufhören zu arbeiten, bis die Wassertemperatur auf weniger als $28^{\circ}C$ fällt.
8		Wenn Sie den "Leistungsfähigen Arbeitsmodus" auswählen.	$T1 < Tset+1$	$T1 < 29^{\circ}C$	Powerful mode-Frequenz F10/F9
9			$T1 \cong Tset+1$	$T1 \cong 29^{\circ}C$	HP wird Standby sein, aufhören zu arbeiten, bis die Wassertemperatur auf weniger als $28^{\circ}C$ fällt.
10		Starten Sie erneut, um Wasser im Standby-Status zu erhitzen	Wenn HP im "Smart-Modus" arbeitet	$T1 \cong Tset$	$T1 \cong 28^{\circ}C$
11	$Tset > T1 \cong Tset-1$			$28^{\circ}C > T1 \cong 27^{\circ}C$	Silent-frequenz F2
12	$Tset-1 > T1 \cong Tset-2$			$27^{\circ}C > T1 \cong 26^{\circ}C$	Frequenz: F2 -F3-F4,...,-F9
13	$< Tset-2$			$< 26^{\circ}C$	Powerful-frequenz F9
14	Wenn HP im "Silent Mode" arbeitet		$\cong Tset$	$\cong 28^{\circ}C$	Standby
15			$Tset > T1 \cong Tset-1$	$28^{\circ}C > T1 \cong 27^{\circ}C$	Silent mode-frequenz F2/F1
16			$T1 < Tset-1$	$T1 < 27^{\circ}C$	Smart -frequenz F5
17	Wenn HP im "Leistungsstarken Modus" arbeitet	$T1 < Tset-1$	$T1 < 27^{\circ}C$	Powerful -frequenz F10/F9	

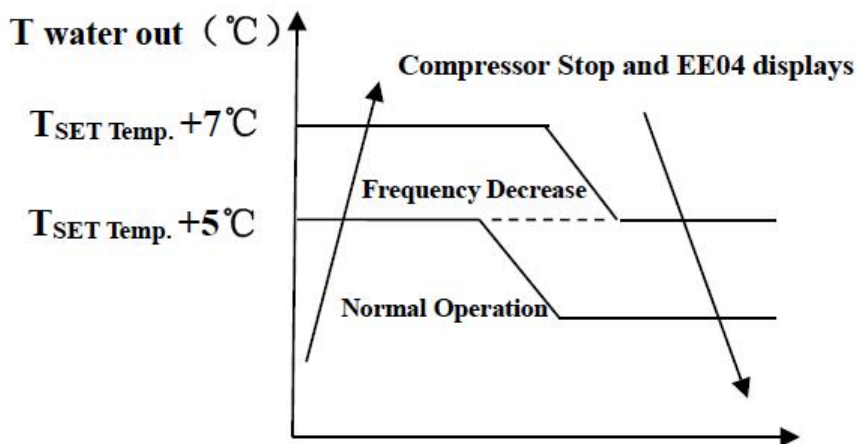
## 6.5 Kühllogik

Arbeits status		Arbeitsmodus	Wasser in der Temperatur-T1	Zum Beispiel, Wasser in der Temperatur-T1	Arbeitsniveau der Wärmepumpe
1	Inbetriebnahme der Wärmepumpe	Wenn Sie den "Smart-Arbeitsmodus" wählen	$T1 \cong T_{set}-1$	$T1 \cong 27^{\circ}\text{C}$	Standby.
2			$T_{set}-1 < T1 \cong T_{set}$	$27^{\circ}\text{C} < T1 \cong 28^{\circ}\text{C}$	Silent mode-Frequenz F2
3			$T_{set} < T1 \cong T_{set}+1$	$28 < T1 \cong 29^{\circ}\text{C}$	Frequenz: F9 -F8-F7,...,- F2
4			$T1 \cong T_{set}+1$	$T1 \cong 29^{\circ}\text{C}$	Powerful mode-F9
5		Wenn Sie den "Stillen Arbeitsmodus" wählen.	$T1 \cong T_{set}-1$	$\cong 27^{\circ}\text{C}$	Standby
6			$T_{set}-1 < T1 \cong T_{set}$	$27^{\circ}\text{C} < T1 \cong 28^{\circ}\text{C}$	Silent mode - frequenz F2/F1
7			$T1 > T_{set}$	$T1 > 28^{\circ}\text{C}$	Smart mode -frequenz F5
8		Wenn Sie den "Leistungsfähigen Arbeitsmodus" auswählen.	$T1 > T_{set}-1$	$T1 > 27^{\circ}\text{C}$	Powerful mode-frequenz F10/F9
9			$T1 \cong T_{set}-1$	$T1 \cong 27^{\circ}\text{C}$	Standby
10	Starten Sie erneut das Kühlen des Wassers im Standby-Modus	Smart	$T1 \cong T_{set}-1$	$T1 \cong 27^{\circ}\text{C}$	Standby
11			$T_{set} \cong T1 < T_{set}+1$	$28 \cong T1 < 29^{\circ}\text{C}$	Silent- frequenz F2
12			$T_{set}+1 \cong T1 < T_{set}+2$	$29 \cong T1 < 30^{\circ}\text{C}$	Frequenz: F2 -F3-F4,...,- F9
13			$T1 \cong T_{set}+2$	$T1 \cong 30^{\circ}\text{C}$	Powerful mode -frequenz F9
14		Silent	$T_{set} < T1 \cong T_{set}+1$	$28 < T1 \cong 29^{\circ}\text{C}$	Silent mode-frequenz F2/F1
15			$T1 > T_{set}+1$	$T1 > 29^{\circ}\text{C}$	Smart mode-frequenz F5
16		Powerful	$T1 > T_{set}+1$	$T1 > 29^{\circ}\text{C}$	Powerful mode-frequenz F10/F9
17			$T1 \cong T_{set}-1$	$T1 \cong 27^{\circ}\text{C}$	Standby

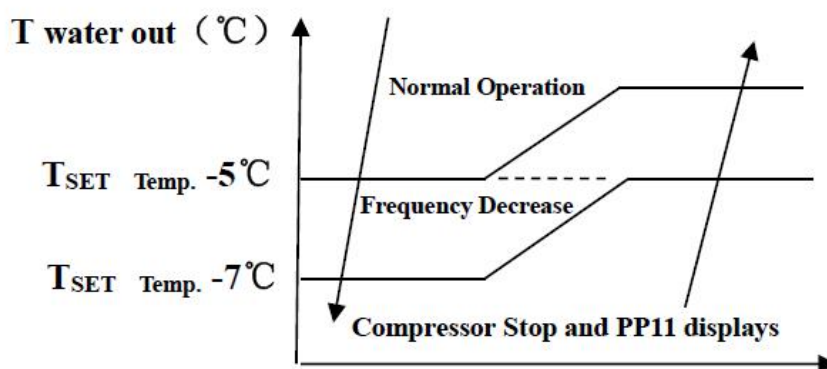
## 6.6 Schutz des Geräts

### Bemerkungen:

1. Wenn im Heizmodus die Wasseraustrittstemperatur höher als die eingestellte Temperatur über 7 ° C ist, zeigt der LED-Controller EE04 für den Wasserüberhitzungsschutz an.
2. Wenn im Kühlmodus die Wasseraustrittstemperatur niedriger als die eingestellte Temperatur über 7 ° C ist, zeigt der LED-Controller PP11 für den Wasserüberkühlungsschutz an.



EE04 Wasserüberhitzungsschutz



PP11 Wasserüberkühlung Schutz

Zum Beispiel wie unten:

Modus	Wasseraustrittst emperatur	Temperatur einstellen	Bedingung	Fehlfunktion
Heizmodus	36°C	29°C	$T_{out} - T_{set} \cong 7^{\circ}C$	EE04 Überhitzungsschutz für Wassertemperatur (d2-TH5)
Kühlmodus	23°C	30°C	$T_{set} - T_{out} \cong 7^{\circ}C$	PP11 zu niedriger Schutz für die Wassertemperatur (d2-TH5)



## 7.Fehlersuche

### 7.1 Fehlercode Anzeige auf LED-Draht Controller

Fehlfunktion	Fehlercode	Grund	Lösung
Fehler beim Sensor für den Heizkondensator d1-TH6	PP01	1.Sensorfehler oder Kurzschluss 2.Die Verdrahtung des Sensors ist lose	1. Die Verdrahtung der Sensoren reparieren 2.Schalten Sie den Sensor
Fehler beim Sensor für den Gasrücklauf d2-TH5	PP02	1.Sensorfehler oder Kurzschluss 2.Die Verdrahtung des Sensors ist lose	1. Die Verdrahtung der Sensoren reparieren 2.Schalten Sie den Sensor
Fehler beim Sensor für die Umgebungstemperatur d5-TH2	PP03	1.Sensorfehler oder Kurzschluss 2.Die Verdrahtung des Sensors ist lose	1. Die Verdrahtung der Sensoren reparieren 2.Schalten Sie den Sensor
Frostschutz im Winter d3-TH1	PP05	1.Sensorfehler oder Kurzschluss 2.Die Verdrahtung des Sensors ist lose	1. Die Verdrahtung der Sensoren reparieren 2.Schalten Sie den Sensor
Ausfall des Auspuffrohrsensors d6-TH3	PP06	1.Sensorfehler oder Kurzschluss 2.Die Verdrahtung des Sensors ist lose	1. Die Verdrahtung der Sensoren reparieren 2.Schalten Sie den Sensor
Frostschutz im Winter	PP07	Die Umgebungstemperatur oder die Wassereintrittstemperatur ist zu niedrig	Normaler Schutz
Niedriger Umgebungstemperaturschutz	PP08	1.Geben Sie den Umfang der Nutzung der Umgebung 2.Sensor Anomalie	1.Stop verwenden, über den Umfang der Verwendung 2.Schalten Sie den Sensor

<b>Fehlfunktion</b>	<b>Fehlercode</b>	<b>Grund</b>	<b>Lösung</b>
Hochdruckversagen TS4	EE01	<ol style="list-style-type: none"> <li>1.Hochdruckschalter in schlechtem Anschluss oder Ausfall</li> <li>2.Umgebungs- Temperatur ist zu hoch</li> <li>3.Wassertemperatur ist zu hoch</li> <li>4.Wasserfluss ist zu niedrig</li> </ol>	<ol style="list-style-type: none"> <li>1. Überprüfen Sie die Verdrahtung auf einen Hochdruckschalter oder ändern Sie eine neue</li> <li>2. Überprüfen Sie den Wasserfluss oder die Wasserpumpe</li> <li>3. Ventilator prüfen</li> <li>4. Das Rohrleitungssystem prüfen und reparieren</li> </ol>
Niederdruckversagen TS5	EE02	<ol style="list-style-type: none"> <li>1. Niederdruckschalter bei schlechtem Anschluss oder Ausfall</li> <li>2.EEV ist blockiert oder Rohrsystem ist gestaut</li> <li>3.Motorgeschwindigkeit ist abnormal oder Motor hat beschädigt</li> <li>4.Gas Leckage</li> </ol>	<ol style="list-style-type: none"> <li>1. Die Verdrahtung auf Niederdruck prüfen oder eine neue ändern</li> <li>2.Verwenden Sie die EEV und das Rohrleitungssystem Motor prüfen</li> <li>3. Durch das Hochdruckmessgerät zur Überprüfung des Druckwertes</li> </ol>
Kein Wasserfluss oder Wasserflussschalterausfall TS1	EE03 or "ON"	<ol style="list-style-type: none"> <li>1. Wasser-Flow-Schalter hat keinen Kontakt</li> <li>2.Wasserstromschalter ist beschädigt</li> <li>3.Kein bzw. Unzureichender Wasserfluss.</li> <li>4.Durchflussschalter in der schlechten Weise montiert.</li> </ol>	<ol style="list-style-type: none"> <li>1. Die Verdrahtung für den Wasserstromschalter prüfen</li> <li>2.Wählen Sie den Wasserflussschalter</li> <li>3.Check die Wasserpumpe oder die Wasserstraße System</li> <li>4.Überprüfen Sie die Strömungsschalterposition entsprechend der Wasserdurchflussrichtung.</li> </ol>
Überheizungsschutz für Wassertemperatur (d2-TH5) im Heizbetrieb	EE04	<ol style="list-style-type: none"> <li>1.Geringer Wasserfluss</li> <li>2.Wasser-Flow-Schalter ist fest und die Wasserversorgung ist abgeschnitten</li> <li>3. d2-TH5-Sensor ist abnormal</li> </ol>	<ol style="list-style-type: none"> <li>1.Prüfen Sie das Rohrleitungssystem</li> <li>2. Filterpumpe oder Wasserstromschalter prüfen</li> <li>3. d2-TH5-Sensor prüfen oder einen anderen ändern</li> </ol>
Abgastemperatur (d6-TH3) zu hoher Schutz	EE05	<ol style="list-style-type: none"> <li>1.Gasundichtigkeit</li> <li>2.Geringer Wasserfluss</li> <li>3.Rohrleitungssystem wurde blockiert</li> <li>4.Auslasstemperatur Sensorfehler</li> </ol>	<ol style="list-style-type: none"> <li>1. Überprüfen Sie das Hochdruckmanometer, wenn es zu niedrig ist, füllen Sie es mit etwas Gas</li> <li>2. Überprüfen Sie das Rohrleitungssystem und die Filterpumpe</li> <li>3.Überprüfen Sie das Rohrleitungssystem, wenn es einen Blockade gab</li> <li>4. Ändern Sie einen neuen Abgastempersensor</li> </ol>

<b>Fehlfunktion</b>	<b>Fehlercode</b>	<b>Grund</b>	<b>Lösung</b>
Reglerfehler oder Kommunikationsfehler	EE06	<ol style="list-style-type: none"> <li>1. Drahtverbindung ist nicht gut oder beschädigter Signaldraht</li> <li>2. Controller fehler</li> </ol>	<ol style="list-style-type: none"> <li>1. Überprüfen und wieder anschließen der Signalleitung</li> <li>2. Montieren Sie ein neues Signalkabel</li> <li>3. Stromversorgung abschalten und Maschine neu starten</li> <li>4. Ändern eines neuen Controllers</li> </ol>
Kompressorstromschutz	EE07	<ol style="list-style-type: none"> <li>1. Der Kompressorstrom ist zu groß momentan</li> <li>2. Falscher Anschluss für Kompressor-Phasenfolge</li> <li>3. Kompressor Ansammlungen von Flüssigkeit und Öl führen zum Strom wird größer</li> <li>4. Kompressor oder Fahrerboard beschädigt</li> <li>5. Die Wasserströmung ist abnormal</li> <li>6. Kraftschwankungen innerhalb kurzer Zeit</li> </ol>	<ol style="list-style-type: none"> <li>1. Kompressor prüfen</li> <li>2. Überprüfen Sie die Rohrleitung</li> <li>3. Überprüfen Sie, ob die Stromversorgung im normalen Bereich erfolgt</li> <li>4. Überprüfen Sie die Phasenfolgeverbindung</li> </ol>
Kommunikationsfehler zwischen der Steuerung und der Hauptplatine	EE08	<ol style="list-style-type: none"> <li>1. Poor-Signalleitung oder beschädigte Signalleitung</li> <li>2. Controller-Störung</li> </ol>	<ol style="list-style-type: none"> <li>1. Überprüfen und wieder anschließen der Signalleitung</li> <li>2. Montieren Sie ein neues Signaldraht</li> <li>3. Stromversorgung abschalten und Maschine neu starten</li> <li>4. Ändern eines neuen Controllers</li> </ol>
Kommunikationsfehler zwischen Hauptplatine und Treiberplatine	EE09	<ol style="list-style-type: none"> <li>1. Anschluss der Verbindung Draht</li> <li>2. Der Draht ist beschädigt</li> </ol>	<ol style="list-style-type: none"> <li>1. Drücken Sie den Drahtanschluss</li> <li>2. Keile einen neuen Draht</li> </ol>
VDC-Spannung zu hoher Schutz	EE10	<ol style="list-style-type: none"> <li>1. An der Hauptplatine ist die Netzspannung zu hoch</li> <li>2. Driver Bord ist beschädigt.</li> </ol>	<ol style="list-style-type: none"> <li>1. Überprüfen Sie, ob die Stromversorgung im normalen Bereich liegt</li> <li>2. Fahren Sie an Bord oder Hauptplatine</li> </ol>
Schutz der IPM-Module	EE11	<ol style="list-style-type: none"> <li>1. Datenfehler</li> <li>2. Krong Verdichterphasenanschluss</li> <li>3. Kompressor Flüssigkeit und Öl Anhäufung führen zum Strom wird größer</li> <li>4. Schlechte Wärmeableitung des Antriebsmoduls oder hohe Umgebungstemperatur</li> <li>5. Kompressor oder Fahrerboard beschädigt</li> </ol>	<ol style="list-style-type: none"> <li>1. Programmfehler, Stromversorgung abschalten und nach 3 Minuten neu starten</li> <li>2. Kompressor-Sequenzverbindung prüfen</li> <li>3. Den Systemdruck mit einem Manometer prüfen</li> <li>4. Überprüfen Sie, ob die Umgebungs- und Wassertemperatur zu hoch ist</li> <li>5. Fahren Sie mit dem Fahrerboard</li> </ol>

<b>Fehlfunktion</b>	<b>Fehlercode</b>	<b>Grund</b>	<b>Lösung</b>
VDC-Spannung zu wenig Schutz	EE12	1.Mother Netzspannung ist zu niedrig 2.Driver Bord ist beschädigt.	1. Prüfen Sie, ob die Stromversorgung im normalen Bereich liegt 2. Fahrertreiber wechseln
Eingangsstrom über hohen Schutz	EE13	1.Der Kompressorstrom ist zu groß momentan 2.Die Wasserströmung ist abnormal 3.Kraftschwankungen innerhalb kurzer Zeit 4.Wrong PFC Induktivität	1. Kompressor prüfen 2. Überprüfen Sie die Wasserstraße 3. Überprüfen Sie, ob die Stromversorgung im normalen Bereich liegt 4. Überprüfen Sie, ob die korrekte PFC-Induktivität verwendet wird
Der thermische Schaltkreis des IPM-Moduls ist abnormal	EE14	1. Ausgang Abnormität der IPM-Modul thermischen Kreislauf Motor 2. Lüfter ist funktionslos oder beschädigt 3. Lüfterflügel ist gebrochen	1. Fahren Sie eine Fahrerkarte 2. Überprüfen Sie, ob die Motordrehzahl zu niedrig ist oder der Lüftermotor beschädigt ist, ändern Sie einen anderen 3. Montieren Sie ein neues Lüfterrad
Die Temperatur des IPM-Moduls ist zu hoch	EE15	Ausfahrt Ausnahme des IPM-Modul-Thermo-Schaltkreises 2.Motor ist abnormal oder beschädigt 3.Lüfterflügel ist gebrochen	1. Fahren Sie eine Fahrerkarte 2. Überprüfen Sie, ob die Lüftermotordrehzahl zu niedrig ist oder der Lüftermotor beschädigt ist, ändern Sie einen anderen 3. Montieren Sie ein neues Lüfterrad
PFC-Modulschutz	EE16	1.Ausgang Ausnahme des PFC-Moduls 2.Motor ist abnormal oder beschädigt 3.Fan Klinge ist gebrochen 4.Input Spannungssprung, Eingangsleistung ist abnormal	1. Fahren Sie eine Fahrerkarte 2. Überprüfen Sie, ob die Motordrehzahl zu niedrig ist oder der Lüftermotor beschädigt ist, ändern Sie einen anderen 3.Klappen Sie ein anderes Lüfterblatt 4. Überprüfen Sie die Eingangsspannung
DC-Lüftermotorausfall	EE17	1.DC Motor ist beschädigt 2.Für die Dreiphasenprüfung, ob der Neutralleiter angeschlossen ist 3.Hauptplatine beschädigt 4.Das Lüfterrad ist fest	1.Detect DC-Motor, ersetzen durch eine neue 2.Überprüfen Sie die Verkabelung der Drehstrommaschine 3.Montieren Sie eine neue Hauptplatine 4.Ersetzen Sie eine neue Lüftermotor Treiberkarte für die Dreiphasen Maschine 5.Überprüfen Sie, ob sich vor dem Lüfterblatt eine Barriere befindet, und entfernen Sie diese

<b>Fehlfunktion</b>	<b>Fehlercode</b>	<b>Grund</b>	<b>Lösung</b>
Der thermische Schaltkreis des PFC-Moduls ist abnormal	EE18	Das Fahrer Brett ist beschädigt	<ol style="list-style-type: none"> <li>1. Erfahren Sie eine neue Treiber-Board</li> <li>2. Überprüfen Sie, ob die Lüftermotordrehzahl zu niedrig ist oder der Lüftermotor beschädigt ist, ändern Sie einen anderen</li> </ol>
PFC-Modul Hochtemperaturschutz	EE19	<ol style="list-style-type: none"> <li>1. PFC Modul thermische Schaltung Ausgang abnormal</li> <li>2. Motor ist abnormal oder beschädigt</li> <li>3. Lüfterflügel ist gebrochen</li> <li>4. Die Schraube im Fahrer Brett ist nicht fest</li> </ol>	<ol style="list-style-type: none"> <li>1. Erfahren Sie eine neue Treiber-Board</li> <li>2. Überprüfen Sie, ob die Motordrehzahl zu niedrig ist oder der Lüftermotor beschädigt ist, ändern Sie einen anderen</li> <li>3. Montieren Sie ein neues Lüfterrad</li> <li>4. Überprüfen Sie, ob die Schraube locker ist</li> </ol>
Der Eingangsstromausfall	EE20	Die Versorgungsspannung schwankt zu stark	Überprüfen Sie, ob die Spannung stabil ist
Software-Steuer ausnahme	EE21	<ol style="list-style-type: none"> <li>1. Kompressor läuft aus dem Schritt</li> <li>2. Wrong Programm</li> <li>3. Impurity im Kompressor verursacht die instabile Drehzahl</li> </ol>	<ol style="list-style-type: none"> <li>1. Überprüfen Sie die Hauptplatine oder ändern Sie eine neue</li> <li>2. Geben Sie das richtige Programm ein</li> </ol>
Stromdetektor ausfall	EE22	<ol style="list-style-type: none"> <li>1. Spannungssignal abnormal</li> <li>2. Driver Board ist beschädigt</li> <li>3. Motherboard-Fehler</li> </ol>	<ol style="list-style-type: none"> <li>1. Überprüfen Sie die Hauptplatine oder ändern Sie eine neue</li> <li>2. Change eine neue Treiber-Board</li> </ol>
Kompressorstart fehlgeschlagen	EE23	<ol style="list-style-type: none"> <li>1. Main Board ist beschädigt</li> <li>2. Kompressor Verdrahtungsfehler oder schlechter Kontakt oder unverbunden</li> <li>3. Flüssigkeitsansammlung innen</li> <li>4. Wrong Phasenanschluss für Kompressor</li> </ol>	<ol style="list-style-type: none"> <li>1. Überprüfen Sie die Hauptplatine oder ändern Sie eine neue</li> <li>2. Die Verdichterverdrahtung gemäß Schaltplan prüfen Prüfen Sie den Kompressor oder ändern Sie einen neuen</li> </ol>

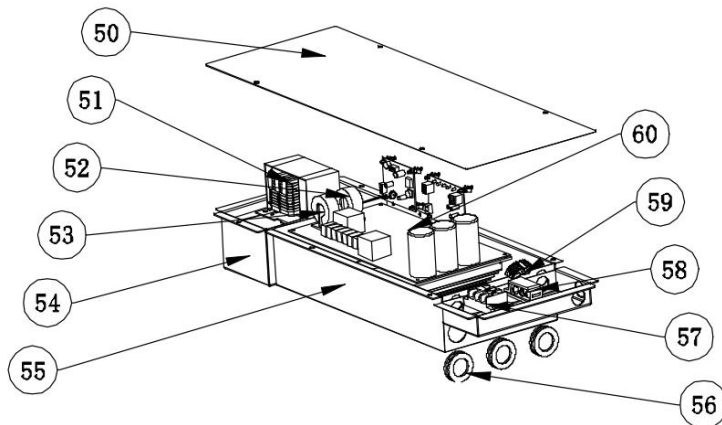
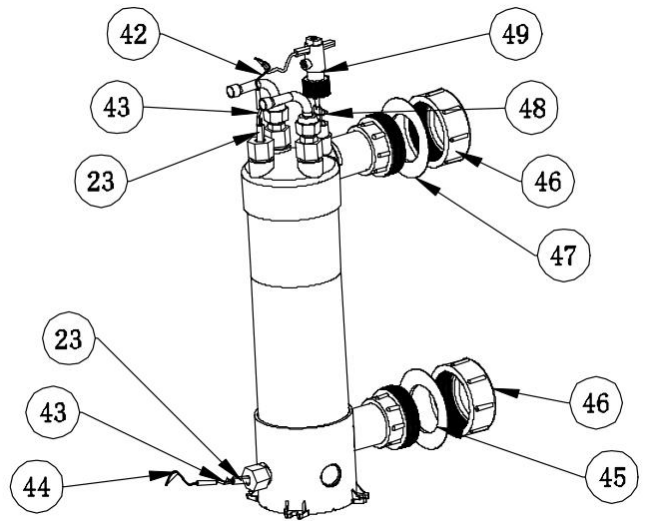
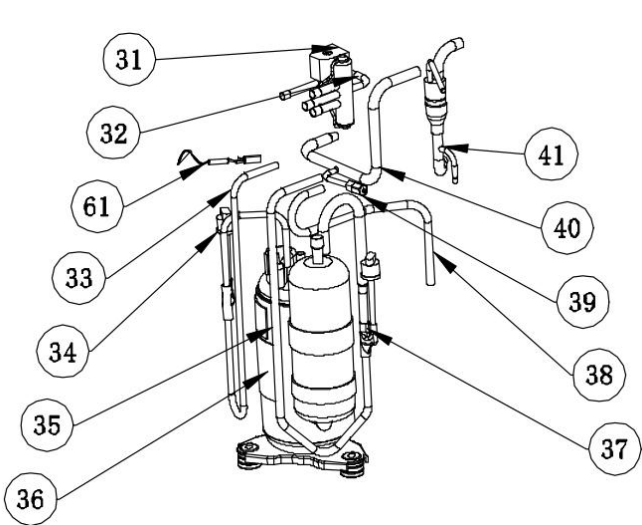
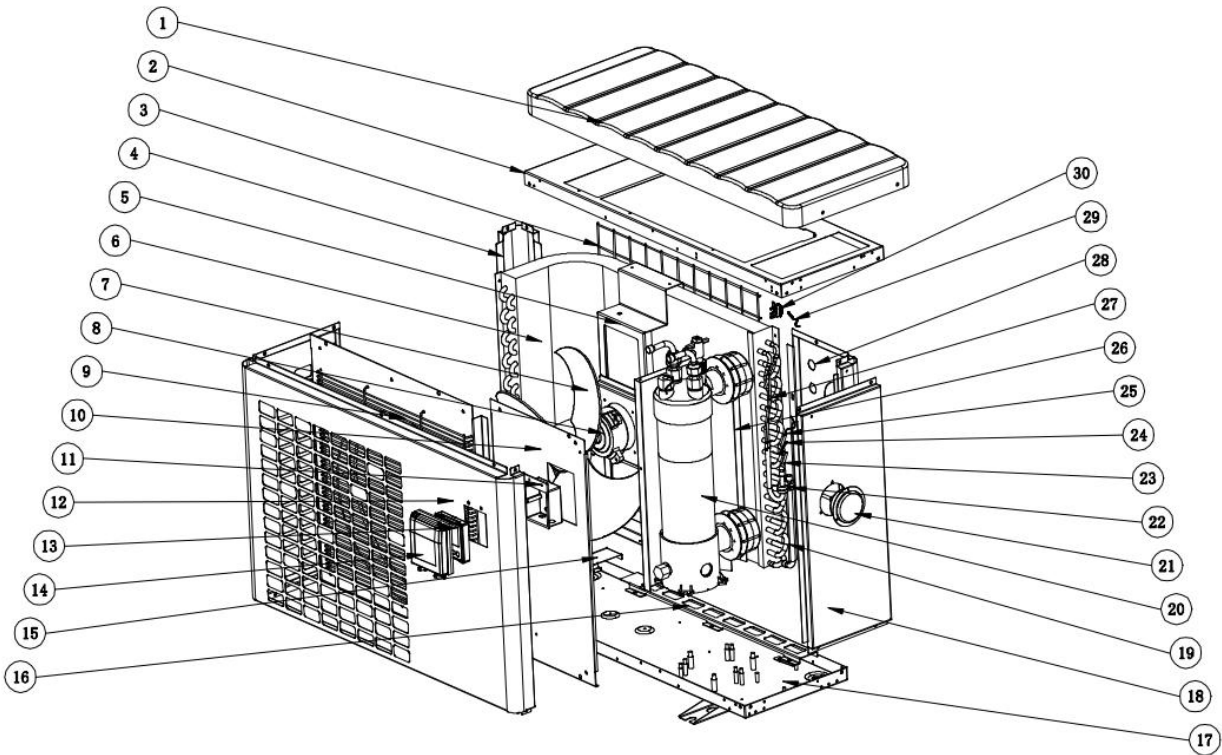
<b>Fehlfunktion</b>	<b>Fehlercode</b>	<b>Grund</b>	<b>Lösung</b>
Umgebungs-Temperatur-Geräte-Fehler auf Treiber-Board	EE24	Störung der Umgebungstemperatur	Fahrertreiber oder Hauptplatine wechseln
Kompressorphasenversagen	EE25	Die Kompressoren U, V, W sind mit einer Phase oder zwei Phasen verbunden	Überprüfen Sie die tatsächliche Verdrahtung gemäß Schaltplan
4-Wege-Ventilumkehrversagen	EE26	1. Das 4-Wege-Ventil ist defekt 2. Lack Kältemittel (keine Erkennung, wenn d5-TH2 oder d3-TH1 Störung)	1. Schalten Sie den Kühlmodus, um das 4-Wege-Ventil zu überprüfen, wenn es richtig umgekehrt wurde 2. Montieren Sie ein neues 4-Wege-Ventil 3. Füllen Sie das System mit Gas
lesen Fehlfunktion von EEPROM-Daten	EE27	1. Falsche EEPROM Daten im Programm oder fehlgeschlagene Eingabe von EEPROM Daten 2. Main Board Ausfall	1. Geben Sie korrekte EEPROM-Daten ein 2. Change eine neue Hauptplatine
Der Inter-Chip-Kommunikationsfehler auf der Hauptsteuerplatine	EE28	Hauptplatine ausgefallen	1. Die Stromversorgung abschalten und neu starten 2. Montieren Sie eine neue Hauptplatine

## 7.2 Andere Fehlfunktionen und ihre Lösung (werden nicht auf der LED-Kabelsteuerung angezeigt)

Fehlfunktion	Anzeichen	Ursachen	Lösung
Wärmepumpe läuft nicht	LED-Kabelsteuerung hat keine Anzeige	Keine Stromzufuhr	Überprüfen Sie ob Kabel und Schutzschalter verbunden sind
	LED-Kabelsteuerung zeigt die aktuelle Zeit an.	Wärmepumpe im Bereitschaftsmodus	Starten Sie die Wärmepumpe.
	LED-Kabelsteuerung zeigt die aktuelle Wassertemperatur an.	<ol style="list-style-type: none"> <li>1. Wassertemperatur erreicht den vorgesehenen Wert, HP ist auf konstantem Temperaturniveau</li> <li>2. Wärmepumpe hat erst zu arbeiten angefangen</li> <li>3. Im Auftaumodus</li> </ol>	<ol style="list-style-type: none"> <li>1. Überprüfen Sie die Wassertemperatureinstellungen</li> <li>2. Starten Sie die Wärmepumpe nach ein paar Minuten.</li> <li>3. LED-Kabelsteuerung sollte "Defrosting" anzeigen.</li> </ol>
Die Wassertemperatur sinkt wenn HP im Heizmodus läuft	LED-Kabelsteuerung zeigt die aktuelle Wassertemperatur an und kein Fehlercode wird angezeigt	<ol style="list-style-type: none"> <li>1. Der falsche Modus wurde ausgewählt.</li> <li>2. Die Eingangsdaten sind falsch</li> <li>3. Steuerung ist defekt</li> </ol>	<ol style="list-style-type: none"> <li>1. Stellen Sie den Modus richtig ein</li> <li>2. Ersetzen Sie die defekte LED-Kabelsteuerung, und überprüfen Sie den Status nachdem Sie in den Betriebsmodus übergegangen sind, schließlich überprüfen Sie die Wassereintritts- und Austrittstemperatur.</li> <li>3. Ersetzen oder Reparieren Sie die Heipumpeneinheit</li> </ol>
Kurze Laufzeiten	LED-Bildschirm zeigt aktuelle Wassertemperatur an, kein Fehlercode wird angezeigt.	<ol style="list-style-type: none"> <li>1. Ventilator läuft nicht ausreichend.</li> <li>2. Luftzirkulation ist nicht ausreichend.</li> <li>3. Unzureichende Kühlmittel.</li> </ol>	<ol style="list-style-type: none"> <li>1. Überprüfen Sie die Kabelverbindungen zwischen dem Motor und dem Ventilator. Wenn nötig sollten Sie ersetzt werden.</li> <li>2. Überprüfen Sie die Position der Wärmepumpeneinheit, und entfernen Sie alle Hindernisse um eine optimale Luftzirkulation zu erreichen.</li> <li>3 Ersetzen oder reparieren Sie die Wärmepumpeneinheit.</li> </ol>
Wasserflecken	Wasserflecken auf der Wärmepumpeneinheit	<ol style="list-style-type: none"> <li>1. Beton.</li> <li>2. Wasserlecke.</li> </ol>	<ol style="list-style-type: none"> <li>1. Nichts tun.</li> <li>2. Überprüfen Sie den Luft-Wärmewechsle auf Defekte.</li> </ol>
Zu viel Eis am Verdampfer	Zu viel Eis am Verdampfer		<ol style="list-style-type: none"> <li>1. Überprüfen Sie die Position der Wärmepumpeneinheit, und entfernen Sie alle Hindernisse, um eine optimale Luftzirkulation zu erreichen.</li> <li>2. Ersetzen oder reparieren Sie die Wärmepumpeneinheit.</li> </ol>

# 8. Explosionszeichnung

Model: VSN-10

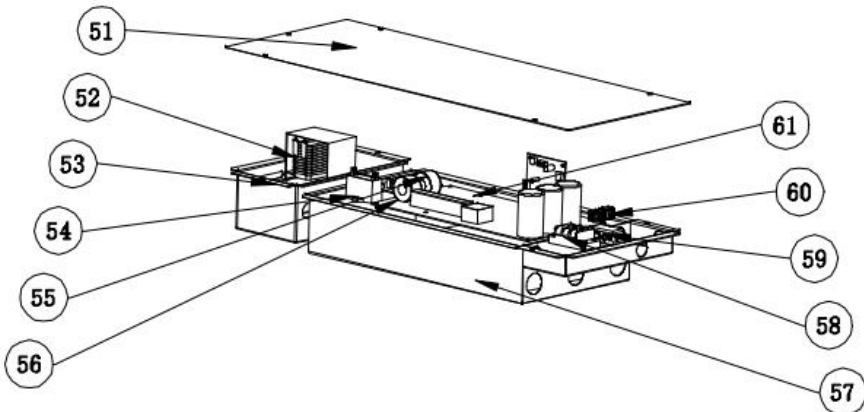
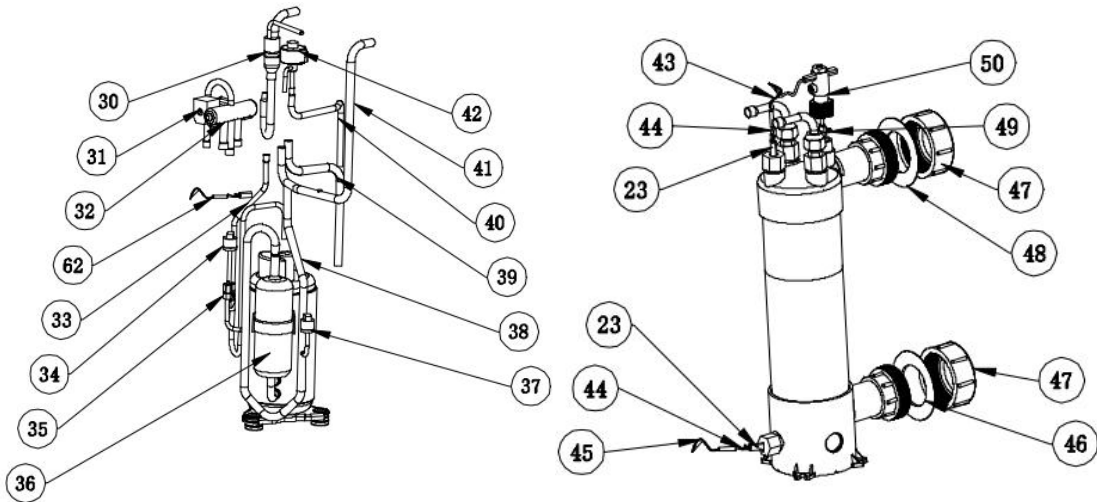
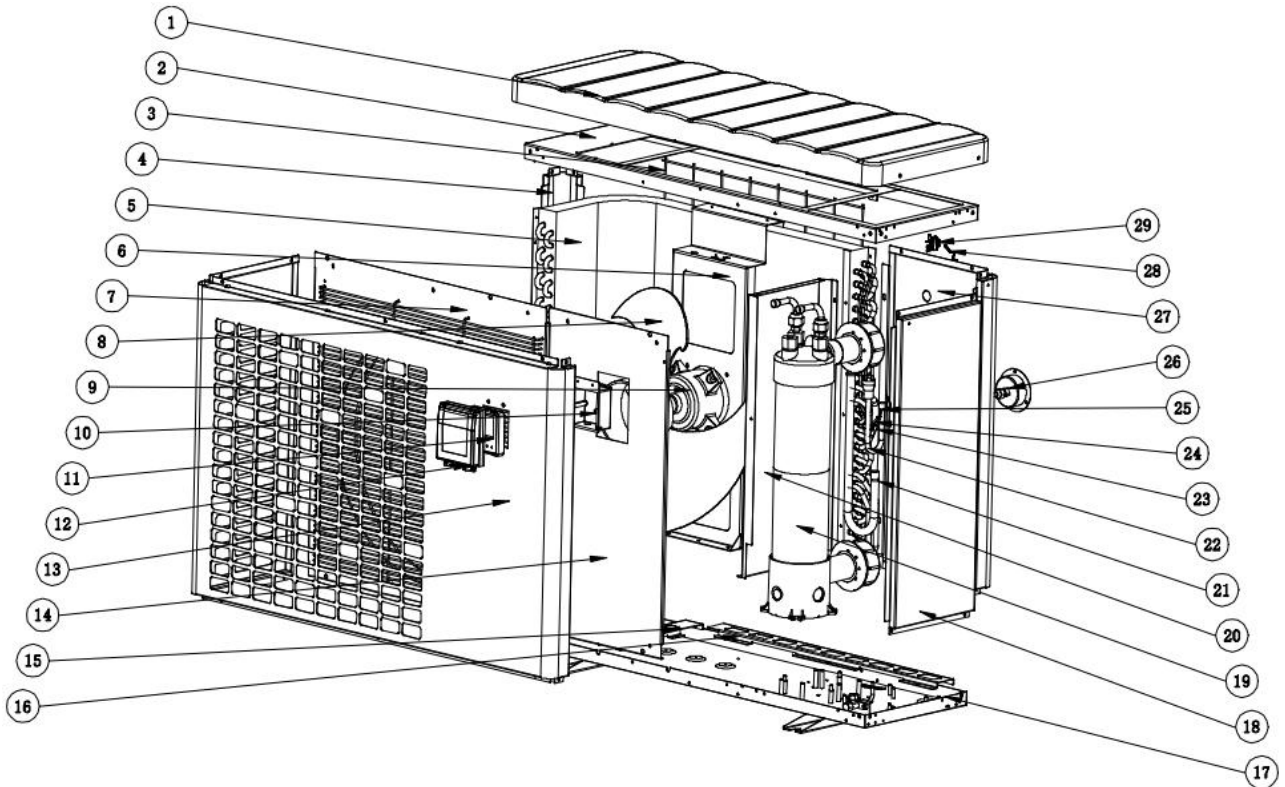




## Spare parts list: VSN-10

NO	ERP	Spare parts	NO	ERP	Spare parts
1	133340015	Obere Abdeckung	32	121000037	Vier-Wege-Ventilspule
2	108830029	Oberer Rahmen	33	113010335	Auspuff
3	108830014	Hinterer Grill	34	112100030	Hochdruckschalter
4	108830055	Säule	35	113020444	Gasrückführung
5	108830054	Lüftermotorhalterung	36	101000187	Kompressor
6	103000271	Verdampfer	37	112100046	Niederdruckschalter
7	113600007	Ventilatorflügel	38	113060157	Rohr
8	112000069	Lüftermotor	39	120000098	Gas ventil
9	108830057	Frontplattenbaugruppe	40	113030150	4-Wege-Ventil zum Austauscher
10	108830024	Wartungspanel	41	113090091	Austausch gegen Kapillare
11	133030011	Kontrollbox	42	117110012	Wasser in Temp. Sensor d1-TH6
12	108830058	Frontblende	43	108010025	Tauscher-Temperatursensor-Clip
13	117020212	Regler	44	117110011	Wasser austemp. Sensor d2-TH5
14	113712007	Controller-Abdeckung	45	133020011	Blauer Gummiring
15	108830004	Verdampferkissen	46	102050004	Wasseranschluss-Sets
16	108830005	Verdampferkissen	47	133020012	Roter Gummiring
17	108830001	Basisfach	48	133020026	Siegelring
18	108830059	Rechtes Panel	49	112100021-3	Wasserflussschalter
19	103000271	Kollektive Rohrleitungen	50	108830031	Elektrische Boxabdeckung
20	103000271	Titan-Wärmetauscher	51	117230003	Reaktor
21	106000011	Druckanzeige	52	117240002	Magnetring
22	136020018	Gummi	53	117240003	Magnetring
23	113190001	Clip	54	108830026	Caja reaktor
24	113190007	Sensorgehäuseleitung	55	108830030	Elektrische Box
25	117110004	Rohrtemp. Sensor d5-TH2	56	136020119	Gummiring
26	108830003	Isolationsplatte	57	115000002	3-sitziges Terminal
27	103000271	Verteilungsrohrleitung	58	136010004	Presilla para cables de conexión
28	108830056	Rückseite	59	115000060	2-sitziges Terminal
29	117110020	Umgebungstemperatur. Sensor d3-TH1	60	117100046	PCB
30	133020010	Umgebungstemperatur. Sensorclip	61	117110021	Abgastemp. Sensor d6-TH3
31	121000035	4-Wege-Ventil			

Model: VSN-12 / VSN-15 / VSN-17



## Spare parts list: VSN-12

NO	ERP	Spare parts	NO	ERP	Spare parts
1	133300019	Obere Abdeckung	32	121000037	Vier-Wege-Ventilspule
2	108790071	Oberer Rahmen	33	113010349	Auspuff
3	108790049	Hinterer Grill	34	112100030	Hochdruckschalter
4	108790107	Säule	35	120000097	Gas ventil
5	103000283	Verdampfer	36	101000188	Kompressor
6	108790111	Lüftermotorhalterung	37	112100046	Niederdruckschalter
7	108790127	Frontplattenbaugruppe	38	113020460	Gasrückführung
8	113600010	Ventilatorflügel	39	113060156	Rohr
9	112000070	Lüftermotor	40	113090087	Austausch gegen Kapillare
10	133030011	Kontrollbox	41	113030155	4-Wege-Ventil zum Austauscher
11	117020212	Regler	42	109000053	Kapillare
12	113712007	Controller-Abdeckung	43	117110012	Wasser in Temp. Sensor d1-TH6
13	108790112	Frontblende	44	108010025	Tauscher-Temperatursensor-Clip
14	108790081	Wartungspanel	45	117110011	Wasser austemp. Sensor d2-TH5
15	108790025	Verdampferkissen	46	133020011	Blauer Gummiring
16	108790026	Verdampferkissen	47	102050004	Wasseranschluss-Sets
17	108790013	Basisfach	48	133020012	Roter Gummiring
18	108790109	Rechtes Panel	49	133020026	Siegelring
19	102040861	Titan-Wärmetauscher	50	112100021-3	Wasserflussschalter
20	108790024	Isolationsplatte	51	108790072	Elektrische Boxabdeckung
21	103000283	Kollektive Rohrleitungen	52	117230003	Reaktor
22	103000283	Verteilungsrohrleitung	53	108790073	Caja reaktor
23	113190001	Clip	54	111000006	Lüfterkondensator
24	113190007	Sensorgehäuseleitung	55	117240002	Magnetring
25	117110004	Rohrtemp. Sensor d5-TH2	56	117240003	Magnetring
26	106000011	Druckanzeige	57	108790075	Elektrische Box
27	108790108	Rückseite	58	115000002	3-sitziges Terminal
28	117110020	Umgebungstemperatur. Sensor d3-TH1	59	136010004	Presilla para cables de conexión
29	133020010	Umgebungstemperatur. Sensorclip	60	115000060	2-sitziges Terminal
30	113030155	4-Wege-Ventil zum Austauscher	61	117100046	PCB
31	121000034	4-Wege-Ventil	62	117110021	Abgastemp. Sensor d6-TH3

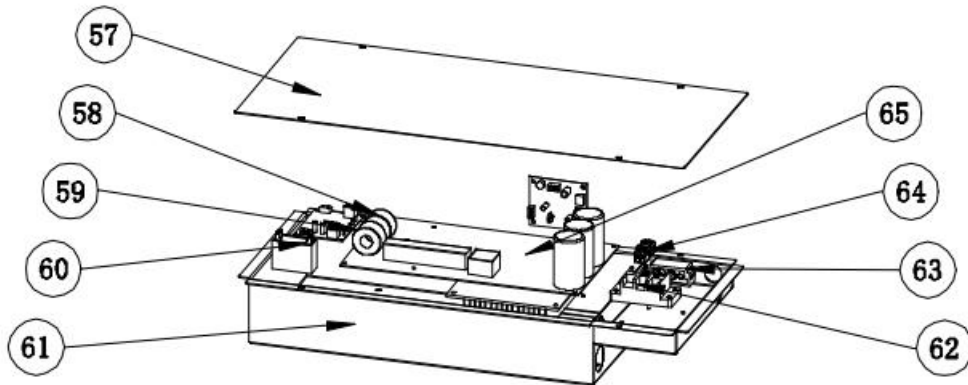
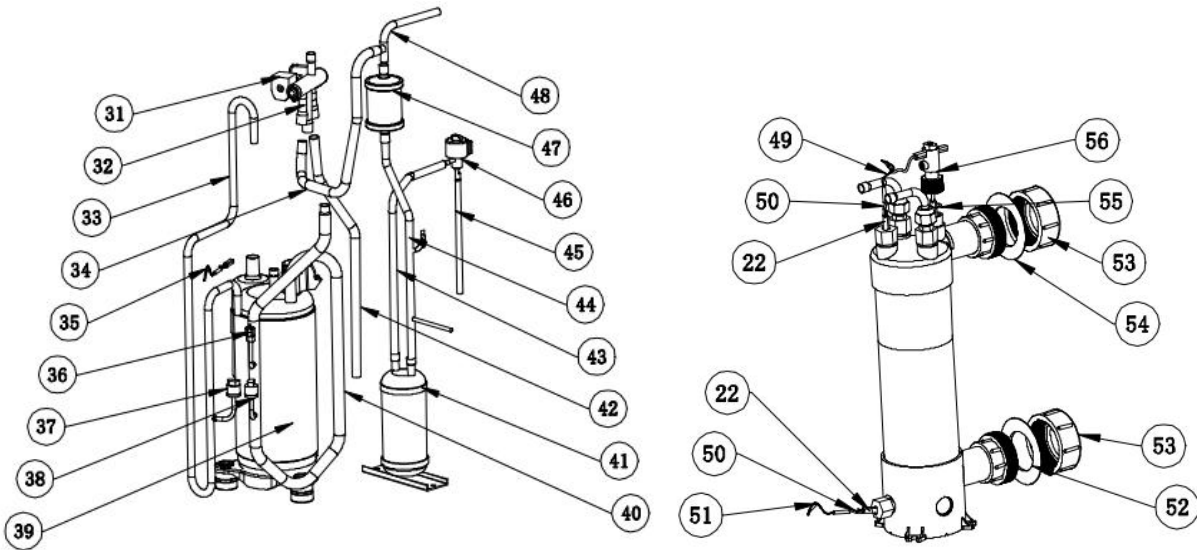
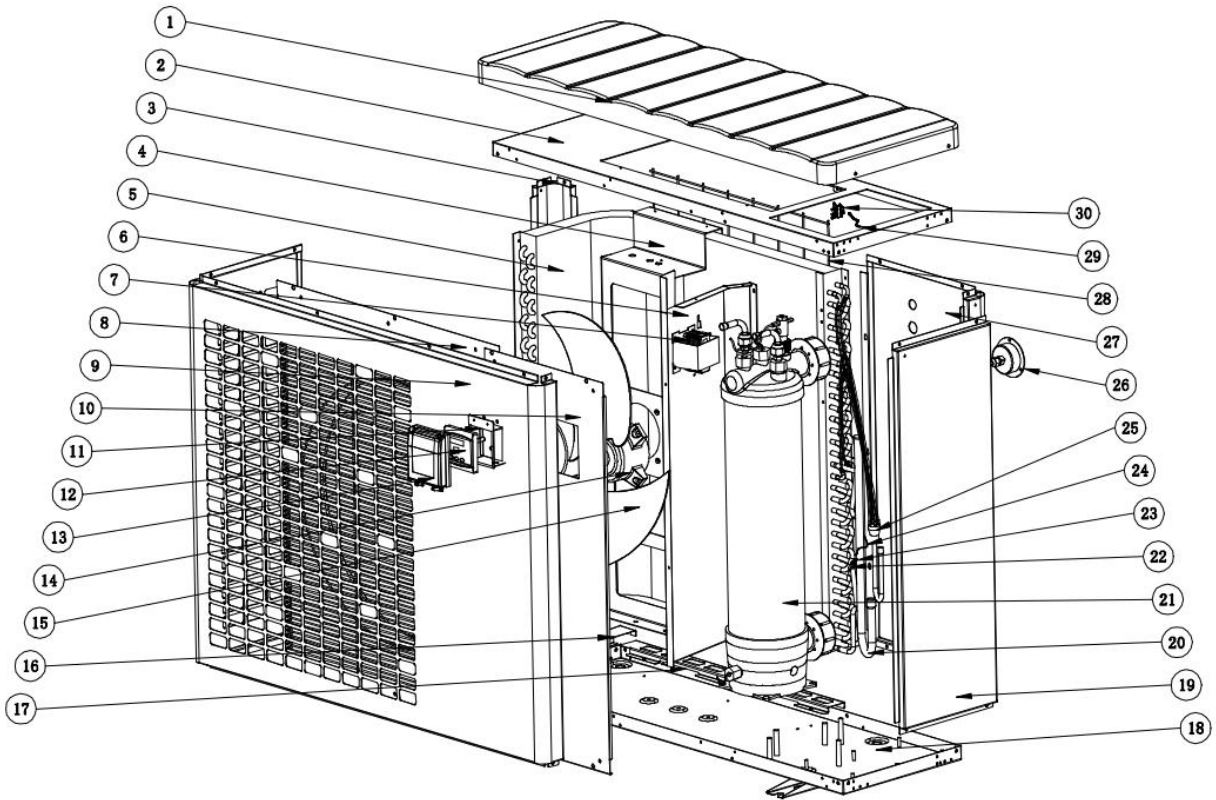
## Spare parts list: VSN-15

NO	ERP	Spare parts	NO	ERP	Spare parts
1	133300019	Obere Abdeckung	32	121000037	Vier-Wege-Ventilspule
2	108790071	Oberer Rahmen	33	113010349	Auspuff
3	108790049	Hinterer Grill	34	112100030	Hochdruckschalter
4	108790107	Säule	35	120000097	Gas ventil
5	103000290	Verdampfer	36	101000188	Kompressor
6	108790111	Lüftermotorhalterung	37	112100046	Niederdruckschalter
7	108790127	Frontplattenbaugruppe	38	113020460	Gasrückführung
8	113600010	Ventilatorflügel	39	113060156	Rohr
9	112000070	Lüftermotor	40	113080110	Austausch gegen Kapillare
10	133030011	Kontrollbox	41	113070054	4-Wege-Ventil zum Austauscher
11	117020212	Regler	42	119000058	Kapillare
12	113712007	Controller-Abdeckung	43	117110012	Wasser in Temp. Sensor d1-TH6
13	108790112	Frontblende	44	108010025	Tauscher-Temperatursensor-Clip
14	108790081	Wartungspanel	45	117110011	Wasser austemp. Sensor d2-TH5
15	108790025	Verdampferkissen	46	133020011	Blauer Gummiring
16	108790026	Verdampferkissen	47	102050004	Wasseranschluss-Sets
17	108790013	Basisfach	48	133020012	Roter Gummiring
18	108790109	Rechtes Panel	49	133020026	Siegelring
19	102040865	Titan-Wärmetauscher	50	112100021-3	Wasserflussschalter
20	108790024	Isolationsplatte	51	108790072	Elektrische Boxabdeckung
21	103000290	Kollektive Rohrleitungen	52	117230003	Reaktor
22	103000290	Verteilungsrohrleitung	53	108790073	Caja reaktor
23	113190001	Clip	54	111000006	Lüfterkondensator
24	113190007	Sensorgehäuseleitung	55	117240002	Magnetring
25	117110004	Rohrtemp. Sensor d5-TH2	56	117240003	Magnetring
26	106000011	Druckanzeige	57	108790074	Elektrische Box
27	108790108	Rückseite	58	115000002	3-sitziges Terminal
28	117110020	Umgebungstemperatur. Sensor d3-TH1	59	136010004	Presilla para cables de conexión
29	133020010	Umgebungstemperatur. Sensorclip	60	115000060	2-sitziges Terminal
30	113030155	4-Wege-Ventil zum Austauscher	61	117100047	PCB
31	121000034	4-Wege-Ventil	62	117110021	Abgastemp. Sensor d6-TH3

## Spare parts list: VSN-17

NO	ERP	Spare parts	NO	ERP	Spare parts
1	133300019	Obere Abdeckung	32	121000037	Vier-Wege-Ventilspule
2	108790071	Oberer Rahmen	33	113010390	Auspuff
3	108790049	Hinterer Grill	34	112100030	Hochdruckschalter
4	108790107	Säule	35	120000097	Gas ventil
5	103000291	Verdampfer	36	101000181	Kompressor
6	108790111	Lüftermotorhalterung	37	112100046	Niederdruckschalter
7	108790127	Frontplattenbaugruppe	38	113020541	Gasrückführung
8	113600010	Ventilatorflügel	39	113060156	Rohr
9	112000070	Lüftermotor	40	113080115	Austausch gegen Kapillare
10	133030011	Kontrollbox	41	113070054	4-Wege-Ventil zum Austauscher
11	117020212	Regler	42	119000058	Kapillare
12	113712007	Controller-Abdeckung	43	117110012	Wasser in Temp. Sensor d1-TH6
13	108790112	Frontblende	44	108010025	Tauscher-Temperatursensor-Clip
14	108790081	Wartungspanel	45	117110011	Wasser austemp. Sensor d2-TH5
15	108790025	Verdampferkissen	46	133020011	Blauer Gummiring
16	108790026	Verdampferkissen	47	102050004	Wasseranschluss-Sets
17	108790093	Basisfach	48	133020012	Roter Gummiring
18	108790109	Rechtes Panel	49	133020026	Siegelring
19	103000271	Titan-Wärmetauscher	50	112100021-3	Wasserflussschalter
20	108790024	Isolationsplatte	51	108790072	Elektrische Boxabdeckung
21	103000291	Kollektive Rohrleitungen	52	117230003	Reaktor
22	103000291	Verteilungsrohrleitung	53	108790073	Caja reaktor
23	113190001	Clip	54	111000006	Lüfterkondensator
24	113190007	Sensorgehäuseleitung	55	117240002	Magnetring
25	117110004	Rohrtemp. Sensor d5-TH2	56	117240003	Magnetring
26	106000011	Druckanzeige	57	108790074	Elektrische Box
27	108790108	Rückseite	58	115000002	3-sitziges Terminal
28	117110020	Umgebungstemperatur. Sensor d3-TH1	59	136010004	Presilla para cables de conexión
29	133020010	Umgebungstemperatur. Sensorclip	60	115000060	2-sitziges Terminal
30	113030172	4-Wege-Ventil zum Austauscher	61	117100047	PCB
31	121000034	4-Wege-Ventil	62	117110021	Abgastemp. Sensor d6-TH3

Model: VSN-21



NO	ERP	Spare parts	NO	ERP	Spare parts
1	133350015	Obere Abdeckung	34	113030174	4-Wege-Ventil zum Austauscher
2	108840002	Oberer Rahmen	35	117110004	Rohrtemp. Sensor d5-TH2
3	108840081	Säule	36	120000097	Gas ventil
4	108840079	Lüftermotorhalterung	37	112100030	Hochdruckschalter
5	103000292	Verdampfer	38	112100046	Niederdruckschalter
6	108840003	Isolationsplatte	39	101000185	Kompressor
7	117230002	Reaktor	40	113020451	Gasrückführung
8	108840084	Frontplattenbaugruppe	41	105000004	Flüssigkeits vorratsbehälter
9	108840080	Frontblende	42	113060159	Rohr
10	108840083	Intercambiador a Capilar	43	113120040	Flüssigkeits vorratsbehälter zu EEV
11	133030011	Kontrollbox	44	113130042	Filter zu Flüssigkeitsspeicher
12	117020284	Regler	45	113080111	EEV zu Verteilungsrohrleitungen
13	113712007	Controller-Abdeckung	46	119000059	EEV
14	111400043	Lüftermotor	47	120000066	Filter
15	113600013	Ventilatorflügel	48	113130035	Austauscher zum Filter
16	108840004	Verdampferkissen	49	117110012	Wasser in Temp. Sensor d1-TH6
17	108840005	Verdampferkissen	50	108010025	Tauscher-Temperatursensor-Clip
18	108840001	Basisfach	51	117110011	Wasser austemp. Sensor d2-TH5
19	108840085	Rechtes Panel	52	133020011	Blauer Gummiring
20	103000292	Kollektive Rohrleitungen	53	102050004	Wasseranschluss-Sets
21	102041021	Titan-Wärmetauscher	54	133020012	Roter Gummiring
22	113190001	Clip	55	133020026	Siegelring
23	113190007	Sensorgehäuseleitung	56	112100021-3	Wasserflussschalter
24	117110021	Abgastemp. Sensor d6-TH3	57	108840008	Elektrische Boxabdeckung
25	103000292	Verteilungsrohrleitung	58	117240002	Magnetring
26	106000011	Druckanzeige	59	117240003	Magnetring
27	108840082	Rückseite	60	111000006	Lüfterkondensator
28	108840014	Hinterer Grill	61	108840007	Elektrische Box
29	117110020	Umgebungstemperatur. Sensor d3-TH1	62	115000025	3-sitziges Terminal
30	133020010	Umgebungstemperatur. Sensorclip	63	136010004	Presilla para cables de conexión
31	121000028	4-Wege-Ventil	64	115000060	2-sitziges Terminal
32	121000037	Vier-Wege-Ventilspule	65	117100047	PCB
33	113010339	Auspuff			

## 9. Wartung

Warnung !

- Vor Wartungsarbeiten am Gerät müssen Sie die Stromversorgung unterbrechen, da die Gefahr eines Stromschlags besteht, der zu Sachschäden, schweren Verletzungen oder sogar zum Tod führen kann.
- Es wird empfohlen, das Gerät mindestens einmal jährlich einer allgemeinen Wartung zu unterziehen, um seinen ordnungsgemäßen Betrieb sicherzustellen, das Leistungsniveau aufrechtzuerhalten und mögliche Ausfälle zu vermeiden. Diese Arbeiten werden auf Kosten des Benutzers von einem qualifizierten Techniker durchgeführt, um die Wartung zu gewährleisten von einem qualifizierten Techniker durchgeführt.
- Für Wartungsarbeiten, die von einem qualifizierten Techniker durchgeführt werden sollen, lesen Sie bitte die Sicherheitshinweise auf den vorherigen Seiten im Kapitel "Wartung: Warnhinweise zu Geräten, die R32-Kältemittel enthalten", bevor Sie die unten beschriebenen Wartungsarbeiten durchführen

- 1) Sie sollten das Wasserzufuhrsystem regelmäßig überprüfen, um zu vermeiden dass Luft in das System eindringt und geringe Wasserflussmenge verursacht, denn das würde die Leistung und Zuverlässigkeit der HP-Einheit reduzieren.
- 2) Reinigen Sie ihr Becken und Filtersystem regelmäßig um Schäden an der Einheit durch verschmutzte Filter zu vermeiden.
- 3) Ansonsten sollten überprüfen ob die Einheit mit Wasser gefüllt ist, bevor Sie sie starten.
- 4) Nachdem die Einheit für die Winterseason ausgerüstet wurde, sollte sie mit einer speziellen Winterdecke abgedeckt werden.
- 5) Während die Einheit läuft ist es normal wenn ein wenig Wasser darunter ausläuft.
- 6) Bitte entleeren Sie das Wasser in der Wärmepumpe immer im Winter oder wenn die Umgebungstemperatur unter 0 °C fällt. Andernfalls wird der Titan-Wärmetauscher durch Gefrieren beschädigt. In diesem Fall geht Ihre Garantie verloren



 **AVVERTENZE**

	<p>Questo simbolo indica che sono disponibili ulteriori informazioni nel Manuale d'uso nel Manuale d'installazione.</p>		<p>Questo simbolo indica che l'apparecchio usa R32, un refrigerante a bassa velocità di combustione.</p>
	<p>Questo simbolo indica che il Manuale d'uso deve essere letto con attenzione.</p>		<p>Questo simbolo indica che un tecnico addetto alla manutenzione deve intervenire sull'apparecchio nel rispetto del Manuale d'installazione.</p>

**AVVERTENZE GENERALI**

- Il mancato rispetto delle avvertenze potrebbe causare danni all'attrezzatura della piscina o comportare ferite gravi, se non addirittura il decesso.
- Solo personale qualificato nei settori tecnici interessati (elettrico, idraulico o della refrigerazione) è abilitato ad eseguire lavori di manutenzione o di riparazione dell'apparecchio. Il tecnico qualificato che interviene sull'apparecchio deve utilizzare/indossare un dispositivo di protezione individuale (quali occhiali di sicurezza, guanti di protezione, ecc.) per ridurre il rischio di lesioni che potrebbero verificarsi durante l'intervento sull'apparecchio.
- Prima di qualsiasi intervento sull'apparecchio, accertarsi che non sia collegato alla rete elettrica e fuori servizio.
- Questo apparecchio non è destinato a essere utilizzato da persone (bambini inclusi, dagli 8 anni in su) prive di esperienza o con deficit fisici, sensoriali o mentali eccetto se sotto sorveglianza oppure dopo che le stesse abbiano ricevuto istruzioni relative all'uso dell'apparecchio da una persona responsabile della loro sicurezza; e se comprendono i pericoli che comporta.
- Sorvegliare i bambini per assicurarsi che non giochino con l'apparecchio.
- L'installazione dell'apparecchio deve essere eseguita conformemente alle istruzioni del produttore e nel rispetto delle normative locali e nazionali in vigore. L'installatore è responsabile dell'installazione dell'apparecchio e del rispetto delle normative nazionali vigenti in materia di installazione. In alcun caso il fabbricante potrà essere ritenuto responsabile in caso di mancato rispetto delle norme d'installazione locali vigenti.
- Per operazioni di manutenzione diverse da quelle semplici descritte nel presente manuale che possono essere realizzate dall'utilizzatore, è necessario rivolgersi a un tecnico specializzato.
- Un'installazione /o un utilizzo errati possono comportare danni materiali o corporali gravi (che possono causare il decesso).
- In caso di malfunzionamento dell'apparecchio: non cercare di riparare l'apparecchio da soli e contattare un tecnico qualificato.
- La disattivazione, l'eliminazione o l'aggiramento di uno degli elementi di sicurezza dell'apparecchio annulla automaticamente la garanzia al pari dell'utilizzo di pezzi di ricambio di un terzo non autorizzato.
- Non spruzzare insetticida o altro prodotto chimico (infiammabile o non infiammabile) in direzione dell'apparecchio, potrebbe deteriorare la scocca e causare un incendio.
- Non toccare il ventilatore né i componenti mobili e non inserire oggetti né le dita vicino ai componenti

mobili quando l'apparecchio è in funzione. I componenti mobili possono provocare lesioni gravi che possono anche portare al decesso.

- Tenere la scheda video in un'area asciutta o chiudere bene il coperchio isolante per proteggere la scheda video da eventuali danni causati dall'umidità.

#### **AVVERTENZE LEGATE AGLI APPARECCHI ELETTRICI**

- L'alimentazione elettrica dell'apparecchio deve essere protetta da un dispositivo di protezione a corrente differenziale residua (DDR) di 30 mA dedicato, conformemente alle norme vigenti nel paese di installazione.
- Non utilizzare una prolunga per collegare l'apparecchio; collegarlo direttamente a un circuito di alimentazione adatto.

- Prima di qualunque operazione verificare che:

La tensione indicata sulla targhetta segnaletica dell'apparecchio corrisponde a quella della rete elettrica,

La rete elettrica sia adatta all'uso dell'apparecchio e disponga di una presa di terra,

La scheda di alimentazione (se presente) si adatta alla presa di corrente.

- Non scollegare e ricollegare l'apparecchio quando è in funzione.
- Non tirare il cavo di alimentazione per scollegarlo.
- Se il cavo di alimentazione è danneggiato, va tassativamente sostituito dal produttore, da un tecnico incaricato della manutenzione o da un soggetto qualificato, per garantire la sicurezza.
- Non effettuare operazioni di manutenzione dell'apparecchio con le mani bagnate o se l'apparecchio è bagnato.
- Prima di collegare l'apparecchio alla fonte di alimentazione, controllare che il blocco di raccordo o la presa di alimentazione alla quale sarà collegato l'apparecchio siano in buono stato e non siano danneggiati o arrugginiti.
- In caso di tempo burrascoso, scollegare l'apparecchio di alimentazione per evitare che sia danneggiato da un fulmine.
- Non immergere l'apparecchio in acqua o nel fango

#### **AVVERTENZE RIGUARDANTI GLI APPARECCHI CONTENENTI REFRIGERANTE R32**

- Il refrigerante R32 è un refrigerante di categoria A2L, considerato potenzialmente infiammabile.
- Non disperdere il fluido R32 nell'atmosfera. Questo fluido è un gas fluorurato ad effetto serra, coperto dal protocollo di Kyoto, con un potenziale di riscaldamento globale (GWP) = 675 (normativa europea UE 517/2014).
- L'apparecchio deve essere conservato in un luogo ben areato lontano da fiamme.
- Installare l'unità all'esterno. Non installare l'unità all'interno o in uno spazio chiuso e non areato all'esterno.
- Non utilizzare mezzi di accelerazione del processo di sbrinamento o di pulizia diversi da quelli raccomandati dal produttore.
- L'apparecchio deve essere conservato in un locale privo di fonti di scintilla costantemente in funzione (ad esempio: fiamme all'aperto, apparecchio a gas in funzione o riscaldamento elettrico in funzione).
- Non forare, né incenerire.
- Il refrigerante R32 può emanare un certo odore.
- Nel rispetto delle norme e dei regolamenti pertinenti in materia ambientale e relativi all'installazione, nello specifico il decreto N° 2015-1790 e/o la regolamentazione europea UE 517/2014, deve essere effettuata una ricerca della presenza di perdite sul circuito di raffreddamento almeno una volta l'anno. Questa operazione deve essere effettuata da un tecnico certificato degli apparecchi di raffreddamento. Tenere la scheda video in un'area asciutta o chiudere bene il coperchio isolante per proteggere la scheda video dai danni causati dall'umidità.

## **MANUTENZIONE: AVVERTENZE RIGUARDANTI GLI APPARECCHI CONTENENTI REFRIGERANTE R32**

- Durante le fasi d'installazione, di riparazione, di manutenzione, è vietato utilizzare i tubi come poggiapiedi: sotto la sollecitazione, i tubi potrebbero rompersi e il refrigerante potrebbe provocare gravi ustioni.
- Durante la fase di manutenzione dell'apparecchio, saranno controllati la composizione e lo stato del fluido termovettore e anche l'assenza di tracce di refrigerante.
- Durante il controllo annuale della tenuta stagna dell'apparecchio, in conformità alle leggi vigenti, verificare che i pressostati alta e bassa pressione siano collegati correttamente al circuito refrigerante e che interrompano il circuito elettrico in caso di scatto.
- Durante la fase di manutenzione assicurarsi che non ci siano tracce di corrosione o di macchie d'olio intorno ai componenti frigoriferi.

Non brasare o saldare il tubo se c'è del refrigerante all'interno della macchina. Si prega di non caricare il gas quando ci si trova in uno spazio ristretto.

### **Verifica della zona**

- Prima di iniziare a lavorare su sistemi che contengono fluidi frigoriferi infiammabili, è necessario effettuare dei controlli di sicurezza per garantire la riduzione del rischio di scintille.

### **Procedura di lavoro**

- I lavori devono essere effettuati secondo una procedura controllata per evitare il pericolo di liberazione di gas o vapore infiammabile durante le operazioni.

### **Zona generale di lavoro**

- Il personale addetto alla manutenzione e le altre persone che lavorano nell'area vicina devono essere messi al corrente dei lavori effettuati. Devono essere evitati i lavori in spazi confinati.
- Prima di ogni intervento sul circuito refrigerante, è imperativo arrestare l'apparecchio ed aspettare qualche minuto prima di installare i sensori di temperatura o di pressione, alcuni apparecchi come il compressore e i tubi possono raggiungere temperature superiori a 100°C e pressioni elevate che possono provocare gravi ustioni.

### **Verifica della presenza di refrigerante**

- La zona deve essere sottoposta a verifica utilizzando un rilevatore di refrigerante appropriato prima e durante i lavori, così che il tecnico sia avvertito della presenza di un'atmosfera potenzialmente tossica o infiammabile. Accertarsi che l'apparecchio di rilevazione delle perdite utilizzato sia adatto a essere utilizzato per tutti i refrigeranti interessati, cioè non possa provocare scintille, sia correttamente isolato o perfettamente sicuro.

### **Presenza di un estintore**

- Se devono essere effettuati lavori che comportano una certa temperatura sull'apparecchio frigorifero o su qualsiasi componente associato, un dispositivo antincendio deve trovarsi a portata di mano. Posizionare un estintore a polvere o a CO<sub>2</sub> vicino alla zona di lavoro.

### **Assenza di sorgente d'ignizione**

- Nessun soggetto che effettua lavori su un sistema frigorifero che comportano l'esposizione della tubatura deve utilizzare qualsiasi sorgente di scintille che potrebbe provocare un incendio o un'esplosione. Tutte le possibili sorgenti di scintille, in particolare le sigarette, devono essere tenute a sufficiente distanza dal sito

d'installazione, di riparazione, di rimozione o di eliminazione quando il refrigerante può potenzialmente essere liberato nello spazio circostante. Prima di procedere con i lavori, è necessario esaminare la zona intorno all'apparecchio per accertarsi dell'assenza di pericoli di incendio o di scintille. Devono essere esposti dei cartelli "Vietato fumare".

### **Ventilazione della zona**

- Prima di accedere in qualunque modo all'unità per effettuare qualsiasi tipo di manutenzione, accertarsi che la zona sia aperta e ben areata. Durante la manutenzione dell'unità deve essere mantenuta un'areazione adeguata, che permette la dispersione in sicurezza del refrigerante che potrebbe essere liberato nell'atmosfera.

### **Verifica dell'apparecchio di refrigerazione**

- Vanno sempre rispettate le raccomandazioni del produttore relative alla manutenzione. Durante la sostituzione di componenti elettrici, accertarsi di utilizzare solo componenti dello stesso tipo e della stessa categoria, raccomandati/approvati dal produttore. In caso di dubbio, consultare il servizio di assistenza tecnica del produttore per chiedere aiuto.

- Devono essere effettuate le seguenti verifiche sugli impianti che utilizzano refrigeranti infiammabili: le marcature presenti sull'apparecchio devono rimanere visibili e leggibili, eventuali marcature o simboli illeggibili devono essere corretti;

le tubature o i componenti refrigeranti sono installati in una posizione nella quale è poco probabile che siano esposti a sostanze in grado di corrodere componenti contenenti refrigerante, sempre se i componenti sono fabbricati con materiali normalmente resistenti alla corrosione o correttamente protetti contro una corrosione di questo tipo.

### **Verifica dei componenti elettrici**

- La riparazione e la manutenzione dei componenti elettrici devono comportare controlli di sicurezza iniziali e procedure di ispezione dei componenti. Se si verifica un malfunzionamento che può compromettere la sicurezza, il circuito non deve essere in alcun modo collegato all'alimentazione elettrica fino a che il problema non sia stato completamente risolto. Se il malfunzionamento non può essere corretto subito, ma i lavori devono proseguire, deve essere trovata una soluzione temporanea adeguata. Il problema va segnalato al proprietario dell'apparecchio così che tutte le persone coinvolte siano avvertite.

- La riparazione e la manutenzione dei componenti elettrici devono comportare i seguenti controlli di sicurezza iniziali:

i condensatori sono scarichi: questa operazione va effettuata in sicurezza per evitare la possibilità di scintille; nessun componente elettrico, né alcun cablaggio alimentato è esposto durante la carica, il ripristino o lo spurgo del sistema;

il collegamento alla terra deve essere sempre presente.

### **Riparazione su componenti isolati**

- In caso di riparazioni su componenti isolati, scollegare l'alimentazione elettrica dell'apparecchio sul quale vengono effettuati i lavori prima di togliere il coperchio d'isolamento, ecc. Se l'alimentazione elettrica dell'apparecchio è assolutamente necessaria durante la manutenzione, è necessario posizionare un rivelatore di perdite che funziona di continuo nel punto più critico per segnalare situazioni potenzialmente pericolose.

- Prestare particolare attenzione ai punti seguenti per essere certi che, durante l'intervento sui componenti elettrici, il quadro elettrico non sia alterato al punto di compromettere il livello di protezione. Ciò deve includere i cavi danneggiati, un numero eccessivo di collegamenti, morsetti non conformi alle caratteristiche originarie, guarnizioni danneggiate, installazione errata dei premistoppa, ecc.

- Assicurarsi che l'apparecchio sia fissato correttamente.
- Accertarsi che le guarnizioni o i materiali isolanti non siano danneggiati al punto da non impedire più a un'atmosfera infiammabile di penetrare nel circuito. I pezzi di ricambio devono essere conformi alle specifiche del produttore.

### **Riparazione dei componenti intrinsecamente sicuri**

- Non applicare cariche d'induzione o capacità elettrica permanente al circuito senza accertarsi che quest'ultima non superi la tensione e l'intensità autorizzate per l'apparecchio che si sta utilizzando.
- Normalmente, i componenti sicuri sono gli unici tipi sui quali è possibile lavorare in presenza di un'atmosfera infiammabile quando sono alimentati. L'apparecchio di test deve essere della classe appropriata.
- Sostituire i componenti solo con i pezzi indicati dal produttore. Altri pezzi potrebbero infiammare il refrigerante nell'atmosfera in caso di perdita.

### **Cablaggio**

- Controllare che il cablaggio non presenti usura, corrosione, pressione eccessiva, vibrazione, margine tagliente o altri effetti ambientali negativi. Il controllo deve considerare anche gli effetti dell'invecchiamento o delle vibrazioni continue causate da sorgenti quali compressori o ventilatori.

### **Rilevamento di fluido refrigerante infiammabile**

- Per la ricerca o il rilevamento di perdite di refrigerante non devono essere mai utilizzate sorgenti potenziali di scintille. Non deve essere utilizzata una lampada aloide (o altri rilevatori che utilizzano una fiamma nuda).
- I seguenti metodi di rilevamento di perdite sono considerati accettabili per tutti i sistemi refrigeranti.
- Per rilevare perdite di refrigerante è possibile utilizzare i rilevatori di perdita elettronici ma, in caso di refrigerante infiammabile, è possibile che la sensibilità non sia adatta o richieda una nuova calibrazione. (Il dispositivo di rilevamento deve essere calibrato in un luogo privo di refrigerante). Accertarsi che il rilevatore non sia una sorgente potenziale di scintilla e sia adatto al refrigerante utilizzato. Il dispositivo di rilevamento delle perdite deve essere regolato a una percentuale di LFL del refrigerante e calibrato in funzione del refrigerante utilizzato. Deve essere confermata la percentuale di gas appropriata (25% al massimo).
- I fluidi di rilevamento di perdite sono egualmente adatti a essere utilizzati sulla maggior parte dei refrigeranti, ma deve essere evitato l'uso di detergenti contenenti cloro perché potrebbe reagire con il refrigerante e corrodere la tubatura in rame.
- Se si sospetta una perdita, devono essere eliminate/spente eventuali fiamme nude.
- Se si rileva una perdita di refrigerante che richiede una brasatura, tutto il refrigerante va tolto dal sistema o isolato (tramite valvole di chiusura) in una parte del sistema lontano dalla perdita.

### **Rimozione e evacuazione**

- Quando si accede al circuito refrigerante per effettuare delle riparazioni o per altri motivi, devono essere utilizzate delle procedure convenzionali. Tuttavia, nel caso di refrigeranti infiammabili, è essenziale seguire le raccomandazioni perché va tenuto conto dell'infiammabilità. Deve essere rispettata la seguente procedura:  
rimuovere il refrigerante;  
spurgare il circuito con un gas inerte (facoltativo per l'A2L);  
evacuare (facoltativo per l'A2L);  
spurgare con un gas inerte (facoltativo per l'A2L);  
aprire il circuito mediante taglio o brasatura.
- Il refrigerante deve essere recuperato in bombole appropriate. Per gli apparecchi che contengono refrigeranti infiammabili diversi dai refrigeranti A2L, il sistema deve essere spurgato con azoto privo di ossigeno per rendere l'apparecchio in grado di ricevere refrigeranti infiammabili. Può essere necessario

ripetere il procedimento più volte. Non devono essere utilizzati aria compressa o ossigeno per spurgare i sistemi refrigeranti.

### **Procedure di carica**

- Accertarsi che l'uscita della pompa a vuoto non si trovi vicino a potenziali sorgenti di scintille e che sia disponibile un sistema di aerazione.
- Oltre alle procedure di carica convenzionali, devono essere rispettati i seguenti punti.
- Accertarsi che non si verifichi una contaminazione tra i differenti refrigeranti quando si utilizza un dispositivo di carica. I flessibili o le linee devono essere il più corti possibili per ridurre la quantità di refrigeranti che contengono.
- Le bombole devono essere mantenuti in posizione appropriata, conforme alle istruzioni.
- Accertarsi che il sistema refrigerante sia collegato alla terra prima di caricare il sistema con il refrigerante.
- Etichettare il sistema dopo aver completato la carica (se già non lo è).
- Prestare particolare attenzione a non riempire eccessivamente il sistema refrigerante.
- Prima di ricaricare il sistema, va effettuato un test di pressione con un gas di spurgo appropriato. Al termine della carica, ma prima della messa in servizio, il sistema va ispezionato per accertarsi dell'assenza di perdite. Prima di lasciare il luogo deve essere effettuato un test di rilevamento delle perdite.

### **Smantellamento**

- Prima di effettuare una procedura di smantellamento, è indispensabile che il tecnico abbia familiarità con l'apparecchio e le sue caratteristiche. Si raccomanda in particolare di recuperare tutti i refrigeranti. Prima di effettuare questa operazione, deve essere recuperato un campione di olio di refrigerante se è necessario effettuare delle analisi prima di riutilizzare il refrigerante recuperato. È indispensabile verificare la presenza dell'alimentazione elettrica prima di iniziare l'intervento.

1. Familiarizzare con l'apparecchio e la sua modalità di funzionamento.

2. Isolare elettricamente il sistema.

3. Prima di iniziare la procedura, accertarsi dei seguenti punti:

se necessario, è disponibile un dispositivo di manutenzione meccanico per manipolare le bombole di refrigerante;

tutti i dispositivi di protezione individuale sono disponibili e utilizzati in modo corretto;

il processo di recupero è controllato in tutte le fasi da una persona competente;

4. l'attrezzatura e le bombole di recupero sono conformi alle norme applicabili.

5. Evacuare il sistema refrigerante, se possibile.

6. Se non viene creato un vuoto, utilizzare un collettore per recuperare il refrigerante da diversi punti del sistema.

7. Accertarsi che la bombola si trovi sulle bilance prima di iniziare le operazioni di recupero.

8. Avviare il dispositivo di recupero e farla funzionare secondo le istruzioni.

9. Non riempire troppo le bombole (non oltre l'80% del volume di carico liquido).

10. Non oltrepassare la pressione massima di funzionamento della bombola, neanche temporaneamente.

11. Quando le bombole sono riempite correttamente e il processo è terminato, accertarsi che le bombole e l'attrezzatura siano rapidamente portate via dal luogo e che le valvole d'isolamento alternative dell'apparecchio siano chiuse.

12. Il refrigerante recuperato non deve essere caricato in un altro sistema refrigerante, a meno che non sia stato pulito e controllato.

### **RIPARAZIONE**

- Ogni intervento di brasatura dovrà essere realizzato da un professionista qualificato.

- La sostituzione delle tubature sarà effettuata solo con tubo di rame in conformità alla norma NF EN 12735-1.
- Rilevazione di perdite, in caso di test sotto pressione:  
non utilizzare mai ossigeno o aria secca: rischio d'incendio o di esplosione,  
utilizzare l'azoto disidratato o una miscela di azoto e di refrigerante indicato sulla targhetta segnaletica,  
la pressione del test lato bassa e alta pressione non deve superare i 42 bar nel caso in cui l'apparecchio sia dotato dell'opzione manometro.
- Per le tubature del circuito alta pressione realizzate con tubo di rame di un diametro  $\geq 1\frac{5}{8}$ , dovrà essere richiesto al fornitore un certificato §2.1 conforme alla norma NF EN 10204 da conservare nel fascicolo tecnico dell'impianto.
- Le informazioni tecniche relative ai requisiti di sicurezza delle diverse direttive applicate sono indicate sulla targhetta segnaletica. Tutte queste informazioni devono essere registrate sul manuale d'installazione dell'apparecchio che deve essere allegato al fascicolo tecnico dell'impianto: modello, codice, numero di serie, TS massimo e minimo, PS, anno di produzione, marchio CE, indirizzo del produttore, refrigerante e peso, parametri elettrici, rendimento termodinamico e acustico.

### **ETICHETTATURA**

- L'apparecchio deve essere etichettato indicando che è stato messo fuori servizio e che il refrigerante è stato rimosso.
- L'etichetta deve essere datata e firmata.
- Per gli apparecchi che contengono refrigerante infiammabile, controllare che le etichette siano apposte sull'apparecchio e recino l'indicazione che contiene refrigerante infiammabile.

### **RECUPERO**

- Al momento dello svuotamento del refrigerante, per la manutenzione o la messa fuori servizio, si raccomanda di seguire le buone pratiche per eliminare tutto il refrigerante in sicurezza.
- Quando il refrigerante viene trasferito in una bombola, utilizzare una bombola di recupero adatta al refrigerante. Munirsi di un numero di bombole sufficiente a recuperare tutto il fluido. Tutte le bombole devono essere state progettate per il recupero del refrigerante e etichettate per questo fluido frigorigeno e etichettate per questo refrigerante specifico. Le bombole devono essere dotate di una valvola di depressione e di valvole di arresto in buono stato. Le bombole di recupero vuote sono evacuate e, se possibile, raffreddate prima del recupero.
- Il dispositivo di recupero deve funzionare correttamente, le istruzioni per l'uso del dispositivo devono essere a portata di mano e il dispositivo deve essere adatto al refrigerante in questione, compreso, eventualmente, il refrigerante infiammabile. Inoltre, devono essere disponibili delle bilance calibrate e perfettamente funzionanti. I tubi devono essere completi, non presentare perdite né collegamenti scollegati e devono essere in buono stato. Prima di utilizzare il dispositivo di recupero, controllare che funzioni perfettamente, che si stato sottoposto a manutenzione e che i componenti elettrici siano a tenuta per evitare un inizio di incendio in caso di liberazione del refrigerante. In caso di dubbi, rivolgersi al produttore.
- Il refrigerante recuperato deve essere inviato al fornitore di refrigerante nella bombola di recupero, con una bolla di trasporto rifiuti. Non mescolare differenti fluidi refrigeranti nelle unità di recupero e in particolare nelle bombole.
- Se il compressore è depresso e l'olio del compressore svuotato, controllare la corretta evacuazione del refrigerante per evitare che si mescoli al lubrificante. Il processo di svuotamento deve essere realizzato prima di inviare il compressore al fornitore. Solo la superficie scaldante del corpo del compressore può essere utilizzata per accelerare questo processo. Quando tutti i liquidi di un sistema sono spurgati, questa operazione deve essere realizzata in sicurezza.



### Riciclaggio

Questo simbolo richiesto dalla direttiva europea DEEE 2012/19/UE (direttiva relativa ai rifiuti di apparecchi elettrici e elettronici) indica che l'apparecchio non può essere smaltito come rifiuto ordinario. Sarà destinato alla raccolta differenziata in vista del suo riutilizzo, riciclaggio o valorizzazione. Se contiene sostanze potenzialmente dannose per l'ambiente, saranno eliminate o neutralizzate. Informarsi presso il

# VSN INVERTER -5°C

## Manuale di Installazione e Uso

### Indice

1. Specifiche
2. Dimensioni
3. Installazione e collegameto
4. Kit di installazione
5. Cablaggio elettrico
6. Funzionamento del controller
7. Risoluzione dei problemi
8. Esploso e manutenzione
9. manutenzione

Grazie per aver usato la nostra pompa di calore per riscaldare la piscina. La pompa può ne riscaldere l'acqua mantenendone costante la temperatura quando quella ambiente varia tra i -5 e i 43°C.

#### **ATTENZIONE:**

- Per quanto concerne funzionamento e manutenzione attenersi a quanto suggerito nel presente manuale.
- Utilizzare solamente pezzi di ricambio standard
- Far funzionare il prodotto ed eseguire gli interventi di manutenzione con la frequenza consigliata nel presente manuale.



# 1. Specifiche

## Dati tecnici

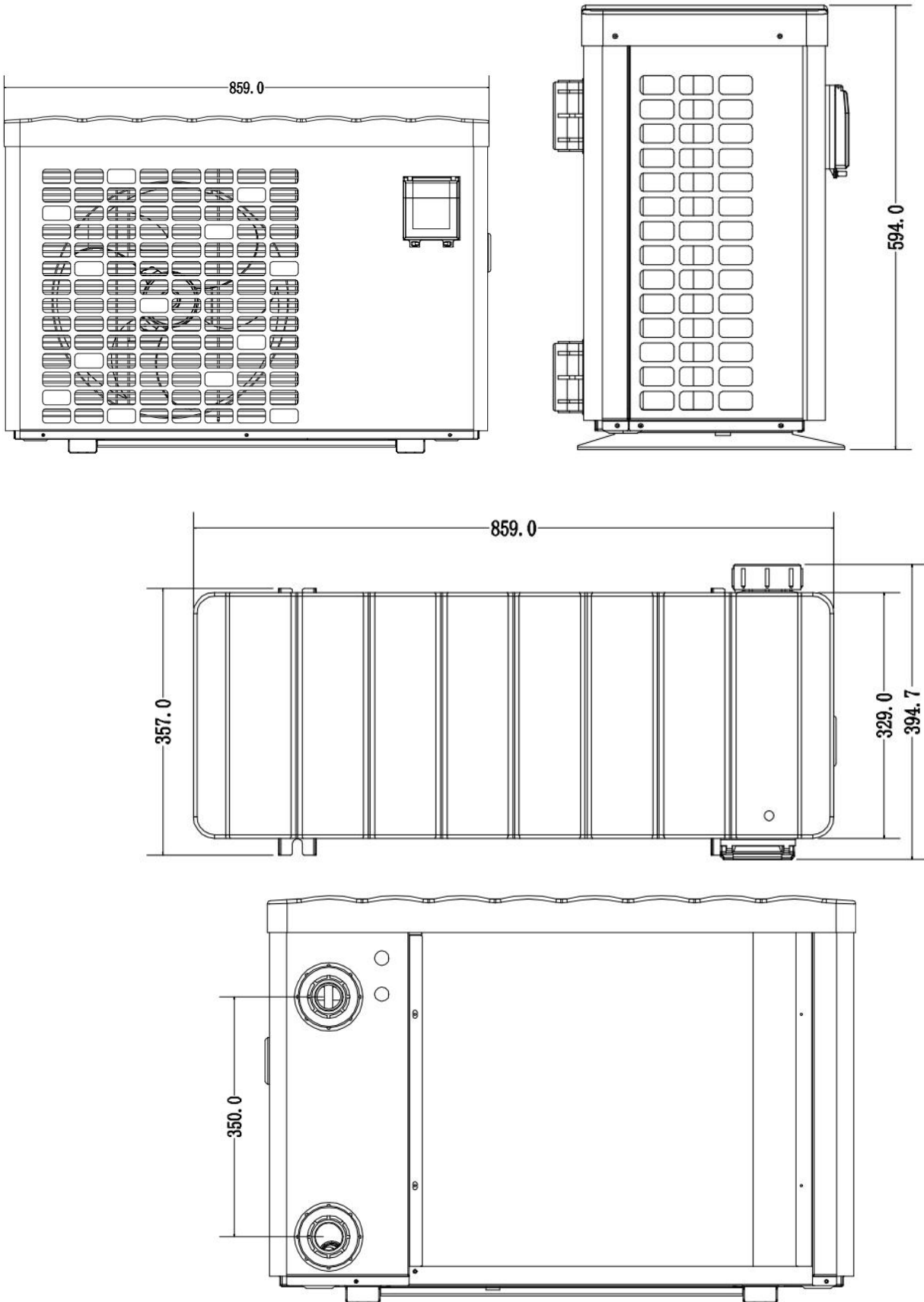
Modello		74152	74153	74154	74155	74156
Codice		VSN-10	VSN-12	VSN-15	VSN-17	VSN-21
<b>*Le prestazioni in Aria 28°C, Acqua 28°C, Umidità 80%</b>						
Capacità di riscaldamento	kW	10-3.5	12-4.8	15-5	17-5.3	21-4.7
Consumo di energia	kW	1.61-0.43	1.96-0.6	2.5-0.63	2.85-0.66	3.39-0.59
C.O.P.		8.5-6.2	8.5-6.1	8.5-6	8.5-6	8.5-6.2
<b>*Le prestazioni in Aria 15°C, Acqua 26°C, Umidità 70%</b>						
Capacità di riscaldamento	kW	7-2.5	8.5-3.5	10-3.6	12-3.8	15-3.9
Consumo di energia	kW	1.65-0.43	1.98-0.6	2.38-0.62	2.8-0.66	3.5-0.67
C.O.P.		5.8-4.2	5.8-4.3	5.8-4.2	5.8-4.3	5.8-4.3
<b>* Dati generali</b>						
Compressore		Compressore inverter				
Voltaggio	V	220~240V / 50Hz or 60Hz /1PH				
Corrente nominale	A	7.20	8.70	11.00	11.90	15.00
Fusibile di protezione	A	11.00	13.00	17.00	18.00	23.00
Portata d'acqua	m <sup>3</sup> /h	2.80	3.70	4.00	4.60	5.00
Perdite di carico circuito acqua	Kpa	12	14	15	15	18
Scambiatore di calore		Tubo Twist-Titanium in PVC				
Collegamento dell'acqua	mm	50				
No. of Fan		1				
Ventilation type		Horizontal				
Pressione sonora (10m)	dB(A)	28-35	29-37	30-39	30-39	32-41
Pressione sonora (1m)	dB(A)	45-52	46-54	47-56	47-56	49-58
Quantità di refrigerante(R32)	g	650	750	950	1100	1500
CO2 equivalente	Tonne	0.44	0.51	0.64	0.74	1.01
<b>* Dimension/ Weight</b>						
Peso netto	kg	56.00	68.00	73.00	78.00	98.00
Peso lordo	kg	68.00	73.00	78.00	83.00	113.00
Dimensione netta	mm	859*394.7*594	987*418.7*693.5			1074*462.6*894
Dimensione dell'imballo	mm	890*425*630	1015*445*715			1105*490*920

\* Ci si riserva il diritto di apportare modifiche ai dati riportati nella tabella senza preavviso

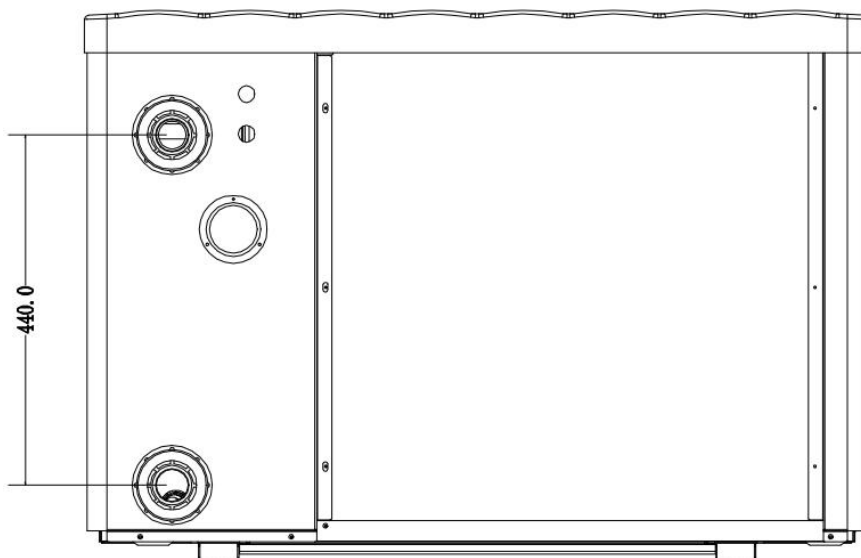
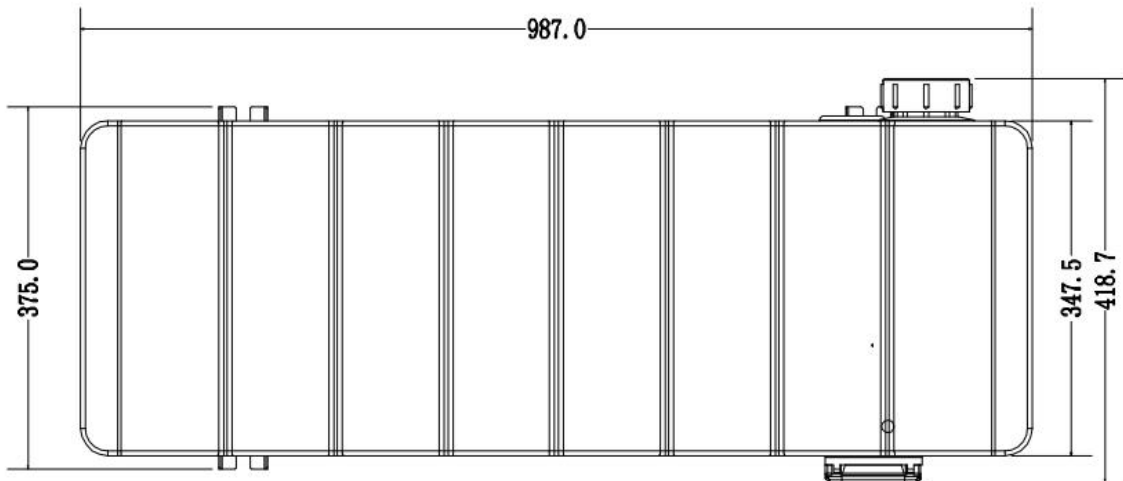
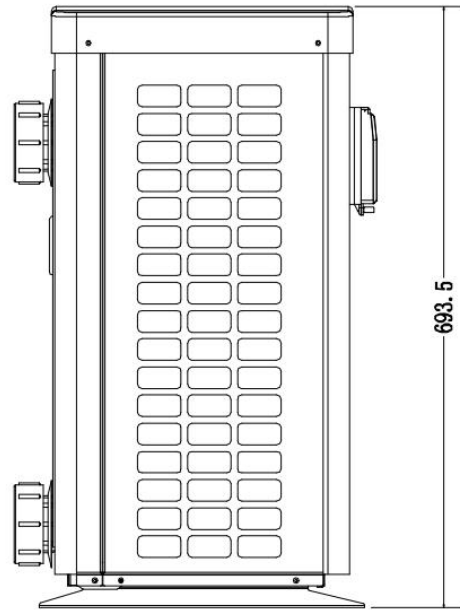
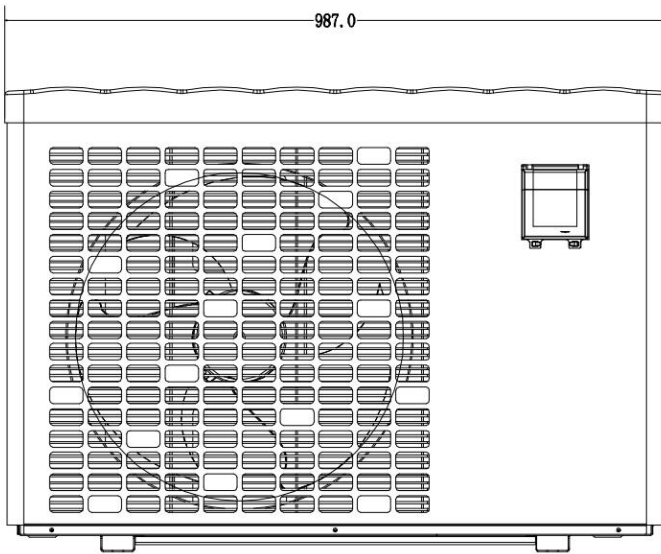
## 2. Dimensioni

unit:mm

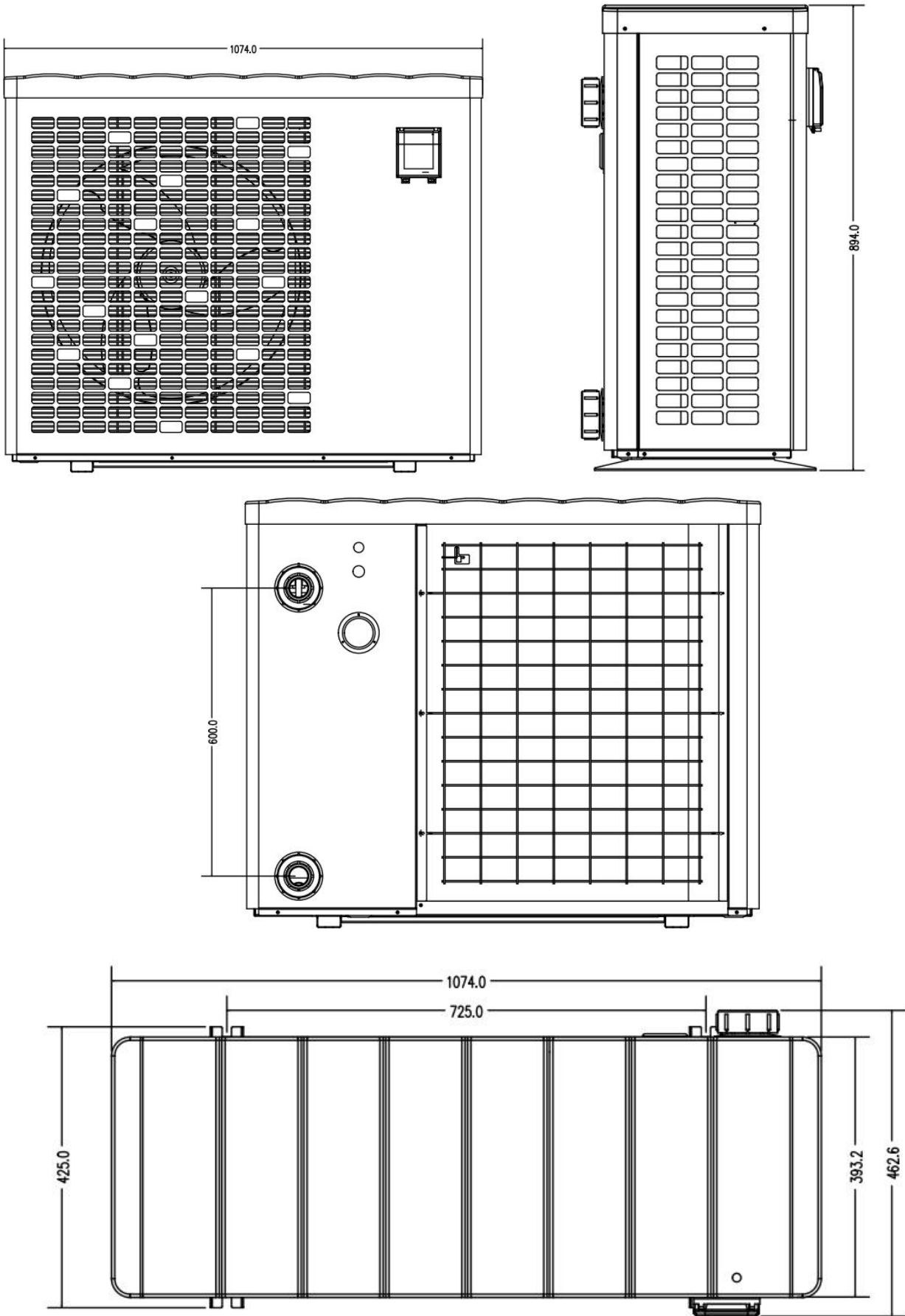
Model:VSN-10



Model: VSN-12 & VSN-15 & VSN-17



Model:VSN-21



### 3. Installazione e collegamento

#### 3.1 Nota

I rifornimenti della fabbrica solo la pompa di calore. Tutti gli altri componenti, tra cui un bypass se necessario, devono essere forniti dall'utente o dall'installatore.

Attenzione:

Si prega di osservare le seguenti regole durante l'installazione della pompa di calore:

1. Qualsiasi aggiunta di sostanze chimiche deve avvenire nelle tubazioni a valle della pompa di calore.
2. Installare un bypass se il flusso dell'acqua dalla pompa piscina è superiore al 20% maggiore della portata consentita attraverso lo scambiatore di calore della pompa di calore.
3. Installare la pompa di calore al di sopra del livello dell'acqua della piscina.
4. collocare sempre la pompa di calore su una base solida e utilizzare i supporti in gomma in dotazione per evitare vibrazioni e rumore.
5. Tenere sempre la pompa di calore in posizione verticale. Se l'unità è stata tenuta in un angolo, attendere almeno 24 ore prima di avviare la pompa di calore.

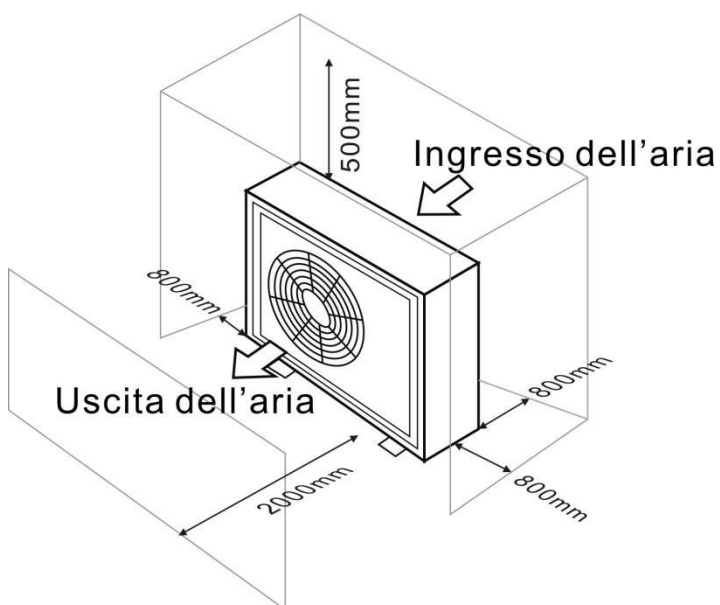
#### 3.2 Posizione della pompa di calore

L'unità funziona correttamente in qualsiasi posizione desiderata finchè i seguenti tre elementi sono presenti:

1. Aria fresca - 2. Elettricità - 3. nuoto filtri piscina

L'unità può essere installata praticamente in qualsiasi luogo all'aperto, purché le distanze minime indicate ad altri oggetti vengono mantenuti (vedi disegno qui sotto). Si prega di consultare il programma di installazione per l'installazione di una piscina coperta. L'installazione in una posizione ventosa non presenta alcun problema, contrariamente alla situazione con un riscaldatore a gas (compresi problemi fiamma pilota).

**Attenzione:** L'impianto non deve essere installato in una limitata zona ventilata, o posto in un cespuglio dove si blocca l'entrata dell'aria. Questi posti impediscono l'impianto di una continua fonte di aria fresca. Quando cambia la stagione, probabilmente le foglie cadono sull'evaporatore, così da ridurre l'efficienza e danneggiare la sua vita di servizio. Vedere il disegno sottostante per le dimensioni minime.



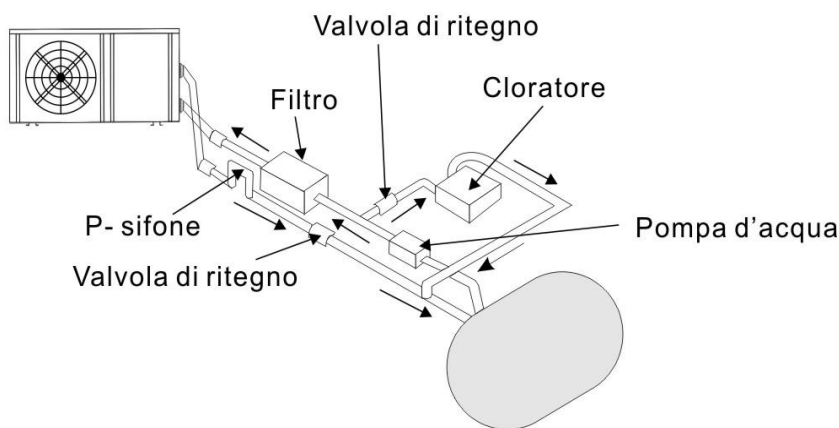
### 3.3 Distanza dalla piscina

La pompa di calore è normalmente installato all'interno di una zona perimetrale estendentesi 7,5 m dalla piscina. Maggiore è la distanza dalla piscina, maggiore è la perdita di calore nei tubi. Poiché i tubi sono principalmente sotterraneo, la perdita di calore è basso per distanze fino a 30 m (15 m da e verso la pompa, 30 m in totale) a meno che il terreno è bagnato o il livello delle acque sotterranee è alto. Una stima approssimativa della perdita di calore per 30 m è 0.6 kWh (2.000 BTU) per ogni differenza 5 ° C tra la temperatura dell'acqua in piscina e la temperatura del terreno circostante il tubo. Questo aumenta il tempo di funzionamento del 3% al 5%.

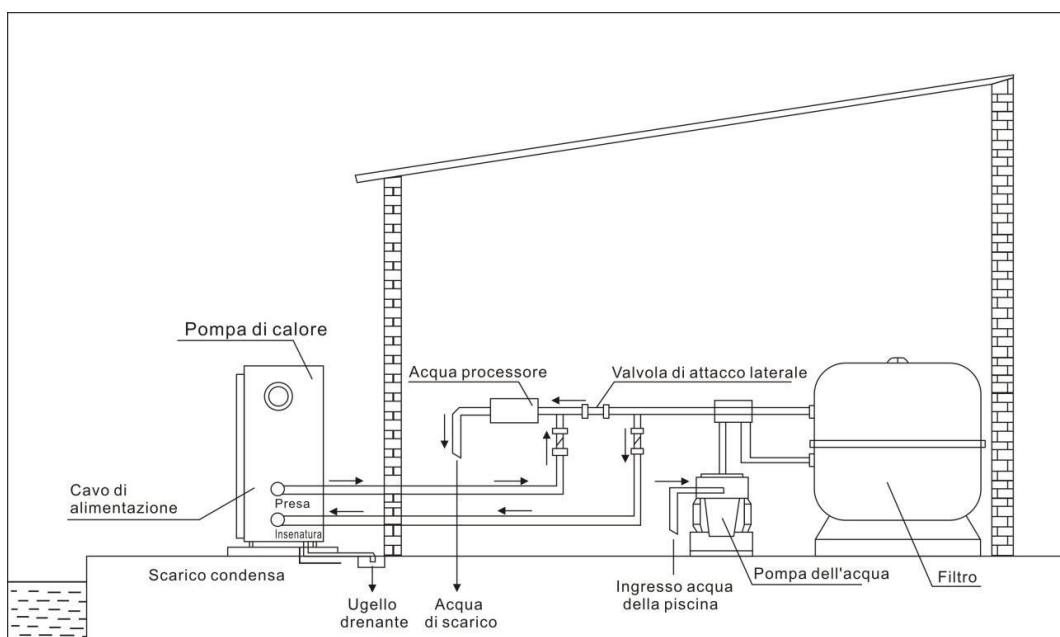
### 3.4 Valvola di ritegno installazione

Nota: Se viene utilizzato un apparecchio di dosaggio automatico per il cloro e acidità (pH), è indispensabile per proteggere la pompa di calore contro concentrazioni chimiche eccessivamente elevate che possono corrodere lo scambiatore di calore. Per questo motivo, le attrezzature di questo tipo deve sempre essere installato nella tubazione sul lato a valle della pompa di calore, e si consiglia di installare una valvola di ritegno per impedire un flusso inverso in assenza di circolazione dell'acqua. I danni alla pompa di calore causati dalla mancata osservanza di questa indicazione non è coperto dalla garanzia.

#### Cloratore o Bromuratore del tipo di pressione

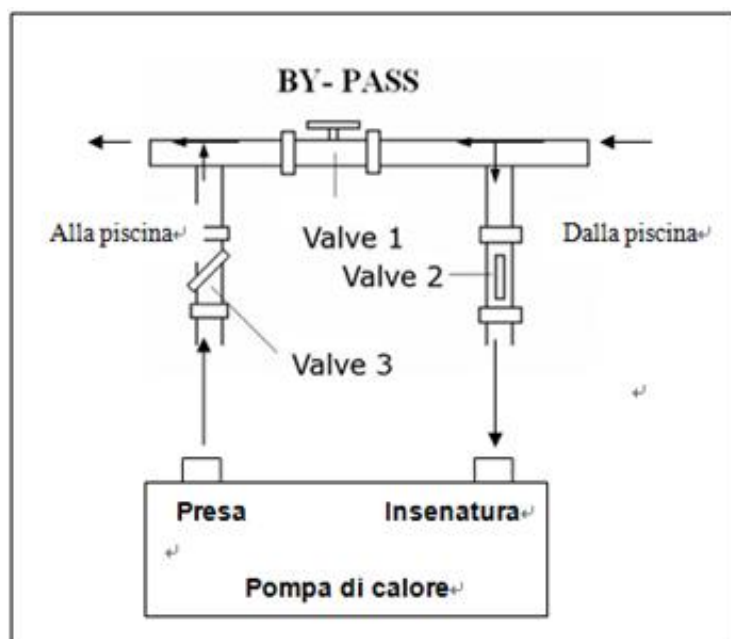


### 3.5 Disposizione tipica



**Nota: Questa disposizione è solo un esempio illustrativo.**

### 3.6 Regolazione del bypass



Si prega di prendere sotto i passaggi per regolare il by-pass:

1. Valvola 1 spalancata. Valvola 2 e valvola 3 chiuse.
2. Aprire lentamente la valvola 2 e la valvola 3 della metà, quindi chiudere lentamente la valvola 1 per aumentare il flusso dell'acqua alla valvola 2 e alla valvola 3.
3. Se mostra "ON" o "EE3" sul display, significa che il flusso d'acqua nella pompa di calore non è sufficiente, quindi è necessario regolare le valvole per aumentare il flusso d'acqua attraverso la pompa di calore.

Come ottenere il flusso d'acqua ottimale:

Si prega di accendere la pompa di calore sotto la funzione di riscaldamento, in primo luogo chiudere il by-pass e aprirlo lentamente per avviare la pompa di calore (la macchina non può iniziare a funzionare quando il flusso d'acqua è insufficiente).

Continuare a regolare il by-pass, nel frattempo verificare la temperatura dell'acqua in ingresso. & Temperatura dell'acqua in uscita, sarà ottimale quando la differenza è di circa 2 gradi.

### 3.7 Collegamento elettrico

**Nota:** Anche se la pompa di calore è isolata elettricamente dal resto del sistema piscina, questo impedisce solo il flusso di corrente elettrica o dall'acqua nella piscina. La messa a terra è ancora necessaria per la protezione contro i cortocircuiti all'interno dell'unità. Sempre fornire una buona messa a terra. L'installatore deve consultare il fornitore di energia elettrica se necessario e assicurarsi che l'apparecchiatura sia collegata correttamente a una rete elettrica con impedenza inferiore a 0,095 ohm.

Avvertenza: prima di qualsiasi lavoro all'interno dell'apparecchio, è necessario interrompere l'alimentazione elettrica dell'apparecchio poiché esiste il rischio di scosse elettriche che possono causare danni materiali, lesioni gravi o addirittura la morte.

- **I terminali serrati in modo errato possono causare il surriscaldamento della morsettiera, che può invalidare la garanzia.**

- **Solo un tecnico qualificato ed esperto è autorizzato a eseguire lavori di cablaggio all'interno del**

apparecchio o per sostituire il cavo di alimentazione.

Prima di collegare l'apparecchio, verificare che la tensione di alimentazione corrisponda alla tensione di funzionamento della pompa di calore.

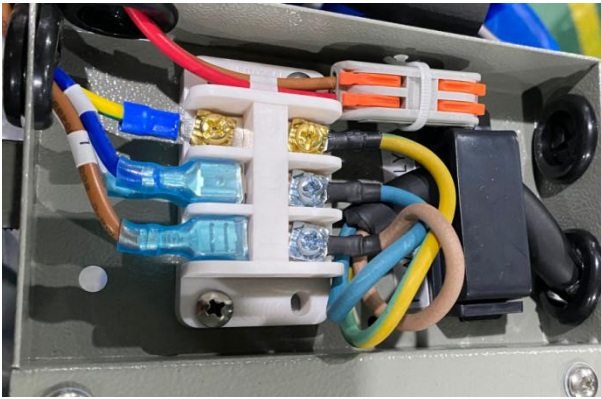
Si raccomanda di collegare la pompa di calore ad un circuito con un proprio fusibile o interruttore automatico (tipo lento; curva D) e di utilizzare il cablaggio adeguato.

Per i modelli orizzontali: rimuovere il pannello a destra della ventola.

Collegare i cavi elettrici alla morsettiera contrassegnata 'POWER SUPPLY'

Un secondo blocco terminale marcato 'WATER PUMP' si trova accanto al primo. La pompa filtro (max.

5 A / 0 V) può essere collegato al secondo morsetto qui. Questo permette il funzionamento della pompa del filtro di essere controllato dalla pompa di calore.



### 3.8 Messa in funzione

**Nota: Al fine di riscaldare l'acqua della piscina (o vasca idromassaggio), la pompa filtro deve essere in esecuzione per causare l'acqua a circolare attraverso la pompa di calore. La pompa di calore non si avvia se l'acqua non è in circolazione.**

Dopo che tutti i collegamenti sono stati fatti e controllato, eseguire la seguente procedura:

1. Accendere la pompa filtro. Controllare la presenza di perdite e verificare che l'acqua scorre da e per la piscina.
2. Collegare l'alimentazione alla pompa di calore e premere il pulsante di accensione / spegnimento sul pannello di controllo elettronico. L'unità si avvia dopo l'intervallo di tempo scade (vedi sotto).
3. Dopo qualche minuto, verificare se il soffiaggio dall'unità è più fresco.
4. Quando spegnere la pompa del filtro, l'unità dovrebbe anche spegnere automaticamente, se non, quindi regolare l'interruttore di flusso.
5. Consentire la pompa di calore e la pompa filtro funzionano 24 ore al giorno fino al raggiungimento della temperatura desiderata. La pompa di calore viene interrotta a questo punto. Dopo questo, si riavvia automaticamente (fino a quando la pompa filtro è in funzione) ogni volta che la temperatura dell'acqua della piscina scende di 2 gradi al di sotto della temperatura impostata.

A seconda della temperatura iniziale dell'acqua nella piscina e la temperatura dell'aria, può richiedere alcuni giorni per riscaldare l'acqua alla temperatura desiderata. Una buona copertura piscina può ridurre drasticamente la durata di tempo richiesto.

#### **Interruttore del flusso d'acqua:**

Il gruppo è dotato di un interruttore di flusso per proteggere il componente HP al fine di farlo operare con l'adeguato tasso di flusso d'acqua. L'interruttore si accende quando la pompa di piscina funziona e si spegne quando la pompa smette di lavorare.

#### **Ritardo del tempo:**

Il componente HP dovrebbe essere equipaggiato con una 3-minuti built-in solid-state re-start protezione del ritardo. Il controllore del ritardo del tempo è una parte integrale del controllo di circuito, e può eliminare il ciclismo del riavviamento e la vibrazione del contattore.

Il ritardo del tempo riavvia automaticamente il componente HP per circa 3 minuti approssimativamente dopo ogni interruzione del controllo di circuito. Una breve interruzione di power può provocare il ritardo di riavviamento dello stato di solido per 3 minuti, e prevenire il componente da quando comincia a funzionare fino a quando è terminato il conteggio alla rovescia per 3 minuti.



### 3.9 condensa


L'aria aspirata nella pompa di calore è fortemente raffreddata dal funzionamento della pompa di calore per riscaldare l'acqua della piscina, che può causare la formazione di condensa sulle alette dell'evaporatore. La quantità di condensa può essere fino a diversi litri all'ora ad alta umidità relativa. Questo è talvolta erroneamente considerato una perdita d'acqua.

## 4. Kit di installazione

### 4.1 Elenco accessori

		
Base anti-vibrazione, 4 pezzi	Tappo di drenaggio, 2 pezzi	Scatola impermeabile, 1 pezzo
		
Copertura invernale, 1 pz	Tubi di drenaggio dell'acqua, 2 pz	Cavo di segnale da 10m, 1 pezzo

### 4.2 Accessori per l'installazione

	<p><b>Basi anti-vibrazione</b></p> <ol style="list-style-type: none"><li>1. Estraete le 4 basi anti-vibrazione</li><li>2. Inserirle una volta nella base dell'apparecchiatura.</li></ol>
---	--

	<p><b>Collegamento del tappo di drenaggio</b></p> <ol style="list-style-type: none"> <li>1. Installare il tappo di drenaggio sotto il pannello inferiore</li> <li>2. Collegare un tubo per far fuoriuscire l'acqua.</li> </ol> <p>Nota: Sollevare la pompa di calore per installare il tappo. Non ribaltare mai la pompa di calore, si potrebbe danneggiare il compressore.</p>
	<p><b>Entrata e uscita dell'acqua</b></p> <ol style="list-style-type: none"> <li>1. Installare i due giunti come mostrato nell'immagine</li> <li>2. Avvitarli sulle prese dell'acqua (giunti di entrata e uscita)</li> </ol>
	<p><b>Cablaggio</b></p> <ol style="list-style-type: none"> <li>1. Aprite il coperchio della morsettieria (contrassegnata in rosso) sul lato dell'apparecchiatura</li> <li>2. Collegare i cavi di alimentazione ai morsetti, come indicato nell'immagine</li> </ol>
	<p><b>Cablaggio della pompa di filtrazione (Contatto privo di tensione)</b></p> <ol style="list-style-type: none"> <li>1. Aprite il coperchio della morsettieria (contrassegnata in rosso) sul lato dell'apparecchiatura</li> <li>2. Collegare i cavi del sistema di filtrazione ai morsetti, come indicato nell'immagine</li> </ol>

### 4.3 Connection to the filtration pump

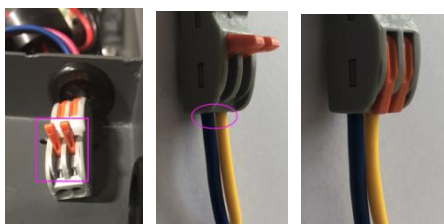
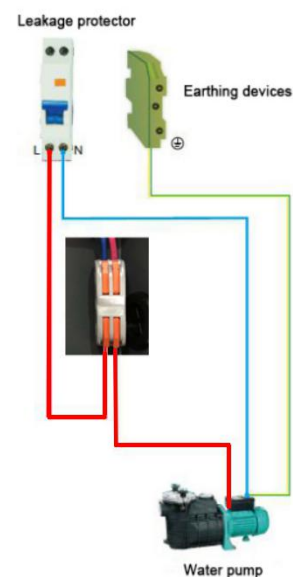


Foto 1

Foto 2

Foto 3

- Apri il pulsante in alto come (foto 1)
- Collegare il tubo di contatto secco attraverso i due fori come (Foto 2 & Foto 4)
- Premere il pulsante e stringere il cablaggio come (foto 3)

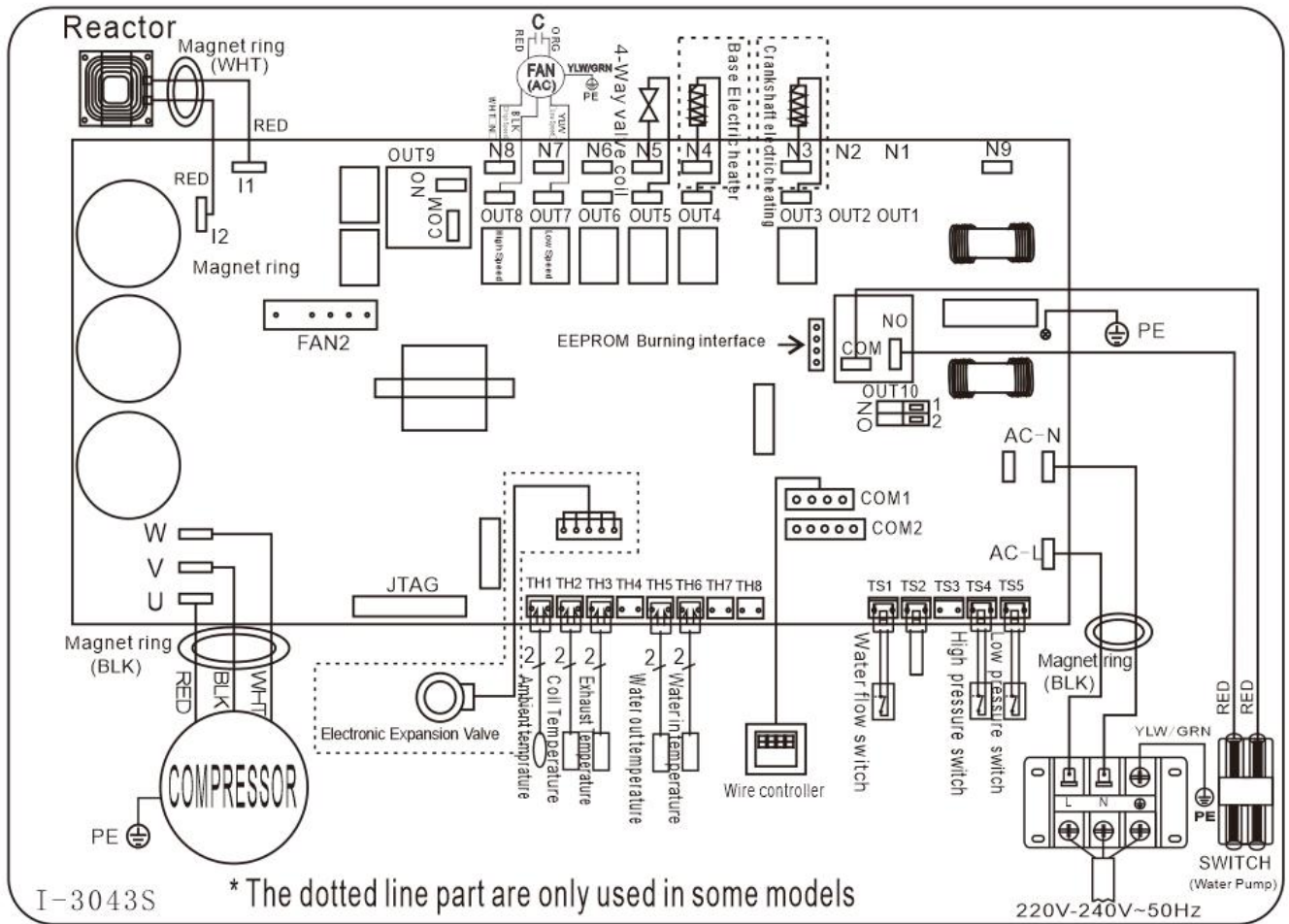


(foto 4)

## 5. Cablaggi elettrico

### 5.1 Schema elettrico di una pompa di calore inverter

VSN-10 / VSN-12 / VSN-15 / VSN-17 / VSN-21



#### NOTE:

- (1) Above electrical wiring diagram only for your reference, please subject machine posted the wiring diagram.
- (2) The swimming pool heat pump must be connected ground wire well, although the unit heat exchanger is electrically isolated from the rest of the unit. Grounding the unit is still required to protect you against short circuits inside the unit. Bonding is also required.
- (3) It is recommended that your pool filtration pump and your heat pump are wired independently. Wiring your pool pump into the heat pump will result in your filtration being switched off once the pool water has reached temperature. Only wire the pool pump through the heat pump if you have a pool pump for heating only that is independent to your pool filtration system.

**Disconnect:** A disconnect means (circuit breaker, fused or un-fused switch) should be located within sight of and readily accessible from the unit. This is common practice on commercial and residential heat pumps. It prevents remotely-energizing unattended equipment and permits turning off power at the unit while the unit is being serviced.

## 5.2 Installation of the remote control

Photo(1)



Photo(2)



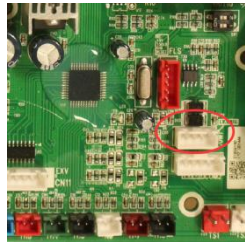
Photo(3)



Photo(4)



Photo(5)



- The side with plug connects with the control panel (photo1)
- The other side of the signal wire. (photo2)
- Open the wiring panel and put the side without plug through the electrical box. (photo3,4)
- Insert the wiring into the designated position (code:COM 1 or COM-L) on the PC board. (photo5)


## 6. Funzionamento del controller





**NOTA:** Quando si collega la pompa di calore alla corrente, il display a LED mostra per 3 secondi un codice che indica il modello di pompa di calore.

### 6.1.1 Tasto



Premere  per avviare la pompa di calore, il display a LED mostra per 5 secondi la temperatura dell'acqua desiderata, quindi mostra la temperatura dell'acqua in entrata la modalità di funzionamento.

Premere  per arrestare la pompa di calore e mostrare "OFF"

Avvertenza: Nel corso della verifica e dell'impostazione dei parametri, premere il tasto  per uscire rapidamente e salvare le impostazioni correnti.

**Premere nuovamente** il tasto  per accendere/spegnere l'apparecchiatura.

### 6.1.2 Tasto



#### Auto Mode

L'unità prevede tre modalità: solo Riscaldamento, Modalità automatica (riscaldamento e raffreddamento), solo Raffreddamento.

Si può passare dalla modalità solo Riscaldamento alla modalità Automatica premendo per 5 secondi il tasto

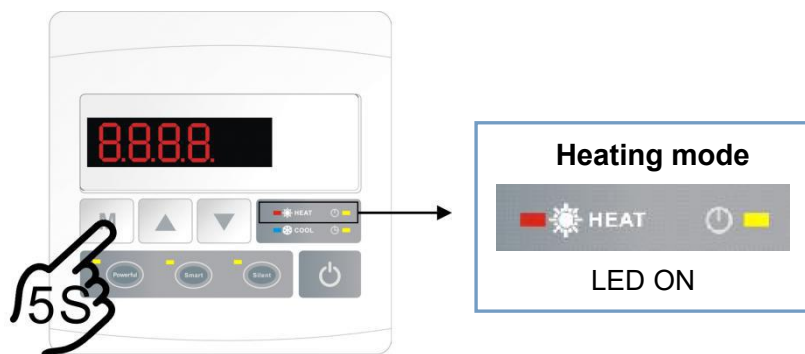
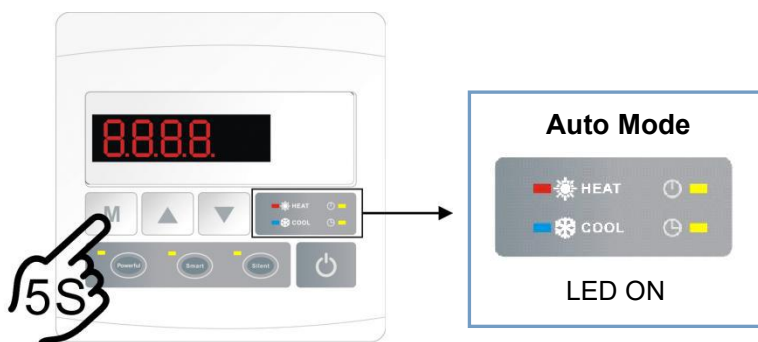


, indipendentemente dal fatto che l'unità sia accesa o spenta.

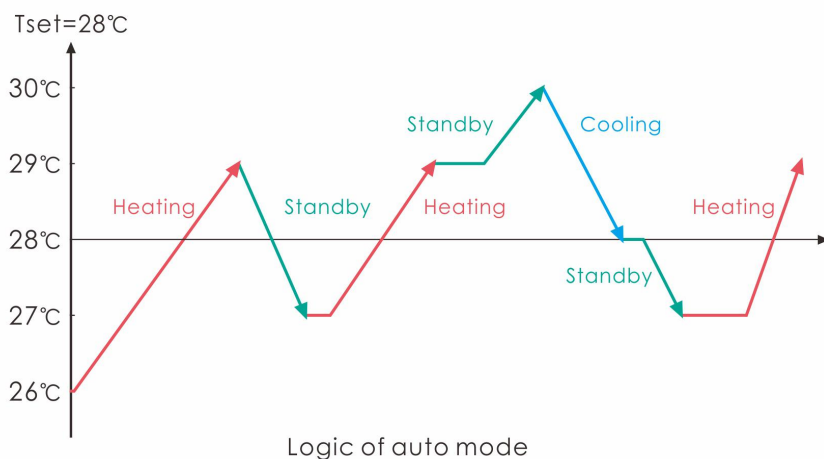


Premere nuovamente per 5 secondi per uscire dalla modalità automatica e passare alla modalità di riscaldamento (impostazione predefinita: modalità Smart)

**Nota: in modalità automatica, è inutile impostare il parametro P1.**



### Logica di funzionamento della modalità automatica





### 6.1.3 Premere il tasto



e il tasto



#### Bloccare/Sbloccare il display:

Tenere premuti per 5 secondi il tasto  e il tasto  per bloccare/sbloccare il display.

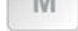

#### Regolazione della temperatura dell'acqua:

Premere il tasto  o il tasto  per regolare direttamente la temperatura dell'acqua.

#### Verifica dei parametri:

Premere prima il tasto  e poi premere il tasto  per verificare il parametro Utente da d0 a d11



Codice	Condizione	Portata	Commento
d0	IPM temperatura dello stampo	0-120°C	Valore di test
d1	Temperatura dell'acqua in entrata T1	-9°C ~ 99°C	Valore di test
d2	Temperatura dell'acqua in uscita T2	-9°C ~ 99°C	Valore di test
d3	Temperatura ambiente T5	-30°C ~ 70°C	Valore di test
d4	Codice di limitazione della frequenza	0,1,2,4,8,16	Valore di test
d5	Temperatura evaporatore T3	-30°C ~ 70°C	Valore di test
d6	Temperatura scarico gas T6	0°C ~ C5°C (125°C)	Valore di test
d7	Passaggio di EEV	0~99	N*5
d8	Frequenza del funzionamento del	0~99Hz	Valore di test
d9	Corrente del compressore	0~30A	Valore di test
d10	Velocità nominale delle ventola	0-1200 (rpm)	Valore di test
d11	Codice errore ultima volta	Tutto il codice di errore	

Premere prima il tasto  quindi il tasto  per controllare/regolare il parametro Utente da P0 a P7

Codice	Nome	Portata	Default	Commento
P0	Sbrinamento obbligatorio	0-1	0	0: Funzionamento normale di default 1: sbrinamento obbligatorio.
P1	Modalità di funzionamento	0-1	1	1:Modalità riscaldamento, 0:modalità raffreddamento,
P2	Timer acceso/spento	0-1	0	1 il timer acceso/spento è in funzionamento, 0 il timer acceso/spento non è in funzione (l'impostazione P5 e P6 non funzionerà)
P3	Pompa dell'acqua	0-1	0	1: sempre in funzionamento; 0:dipende dal funzionamento del compressore
P4	Ora attuale	HH:MM	0:00	<u>0-23:0-59</u>
P5	Timer attivato	HH:MM	0:00	<u>0-23:0-59</u>
P6	Timer disattivato	HH:MM	0:00	<u>0-23:0-59</u>
P7	Calibrazione temp acqua	-9~9	0	Impostazione di default: 0



### 6.1.4 Funzione di reset del sistema

Premere il tasto  e il tasto  per 10 secondo, il sistema di resetterà e comparirà "0000" sul controller.

### 6.1.5



Simbolo di riscaldamento, la lucesi accenderà quando è in funzionamento.  
Quando è in fase di sbrinamento, la luce lampeggerà.

### 6.1.6



Simbolo di raffreddamento, la luce si accenderà quando è in funzionamento.

### 6.1.7



Simbolo di arresto automatico, la luce si accenderà quando è in funzionamento.

### 6.1.8



Simbolo di avvio automatico, la luce si accenderà quando è in funzionamento.

### 6.1.9



Premere questo tasto, la luce lampeggerà, la pompa di calore funzionerà solo in modalità 'Full output'.

### 6.1.10



In modalità **Smart**, la pompa di calore funzionerà solo in modalità 'Medium output' e 'Full output'  
Quando è in modalità 'Medium output', la spia Smart lampeggia.  
Quando è in modalità 'Full output', la spia Smart è accesa, e mentre la spia Powerful lampeggia.

### 6.1.11



In modalità **Silent**, la pompa di calore funzionerà solo in modalità 'Medium output' e 'Small output'  
Quando è in modalità 'Small output', la spia Silent lampeggia.  
Quando è in modalità 'Medium output', la spia Silent è accesa, mentre la spia Smart lampeggia.

## 6.2 Logica di funzionamento del riscaldamento

Stato del funzionamento		Modalità di funzionamento	Acqua in temperatura -T1	Ad esempio, acqua in temperatura -T1	Livello di funzionamento della pompa di calore
1	Avvio della pompa di calore	Quando si seleziona la "modalità di funzionamento Smart"	$T1 < Tset-1$	$T1 < 27^{\circ}C$	Modalità powerful-frequenza F9
2			$Tset-1 \leq 1 < Tset$	$27^{\circ}C1 < 28^{\circ}C$	Frequenza: F9 -F8-F7,...,-F2
3			$Tset \leq T1 < Tset+ 1$	$28^{\circ}C \leq T1 < 29^{\circ}C$	Modalità silent-frequenza F2
4			$T1 \geq Tset+1$	$T1 \leq 29^{\circ}C$	La pompa di calore rimarrà in modalità standby, e non funzionerà fino a quando l'acqua non scende sotto i 28°C.
5		Quando si seleziona la	$T1 < Tset$	$T1 < 28^{\circ}C$	Modalità smart-frequenza F5.
6			$Tset \leq T1 < Tset+1$	$28^{\circ}C \leq T1 < 29^{\circ}C$	Modalità silent-frequenza F2/F1.

7		"modalità di funzionamento Silent"	$T1 \geq T_{set} + 1$	$T1 \geq 29^\circ C$	La pompa di calore rimarrà in modalità standby, e non funzionerà fino a quando l'acqua non scende sotto i $28^\circ C$ .	
8		Quando si seleziona la	$T1 < T_{set} + 1$	$T1 < 29^\circ C$	Modalità powerful-frequenza F10/F9	
9		"modalità di funzionamento Powerful"	$T1 \geq T_{set} + 1$	$T1 \geq 29^\circ C$	La pompa di calore rimarrà in modalità standby, e non funzionerà fino a quando l'acqua non scende sotto i $28^\circ C$ .	
10	Riavvio per riscaldare l'acqua nello stato di stand-by	Quando la pompa di calore funziona in "Modalità Smart"	$T1 \geq T_{set}$	$T1 \geq 28^\circ C$	Standby	
11			$T_{set} > T1 \geq T_{set} - 1$	$28^\circ C > T1 \geq 27^\circ C$	Silent-frequenza F2	
12			$T_{set} - 1 > T1 \geq T_{set} - 2$	$27^\circ C > T1 \geq 26^\circ C$	Frequenza: F2 -F3-F4,...,-F9	
13			$< T_{set} - 2$	$< 26^\circ C$	Powerful-frequenza F9	
14			Quando la pompa di calore funziona in "Modalità Silent"	$\geq T_{set}$	$\geq 28^\circ C$	Standby
15				$T_{set} > T1 \geq T_{set} - 1$	$28^\circ C > T1 \geq 27^\circ C$	Modalità silent-frequenza F2/F1
16				$T1 < T_{set} - 1$	$T1 < 27^\circ C$	Smart-frequenza F5
17			Quando la pompa di calore funziona in "Modalità Powerful"	$T1 < T_{set} - 1$	$T1 < 27^\circ C$	Powerful-frequenza F10/F9

### 6.3 Logica di funzionamento del raffreddamento

Stato del funzionamento	Modalità di funzionamento	Acqua in temperatura -T1	Per esempio, acqua in temperatura -T1	Livello di funzionamento della pompa di calore
1	Quando si seleziona la "modalità di funzionamento Smart"	$T1 \leq T_{set} - 1$	$T1 \leq 27^\circ C$	Standby.
2		$T_{set} - 1 < T1 \leq T_{set}$	$27^\circ < T1 \leq 28^\circ C$	Modalità silent-frequenza F2
3		$T_{set} < T1 \leq T_{set} + 1$	$28 < T1 \leq 29^\circ C$	Frequenza: F9 -F8-F7,...,- F2
4		$T1 \geq T_{set} + 1$	$T1 \geq 29^\circ C$	Modalità powerful-frequenza -F9
5	Quando si seleziona la "modalità di funzionamento Silent"	$T1 \leq T_{set} - 1$	$\leq 27^\circ C$	Standby
6		$T_{set} - 1 < T1 \leq T_{set}$	$27^\circ C < T1 \leq 28^\circ C$	Modalità silent-frequenza F2/F1
7		$T1 > T_{set}$	$T1 > 28^\circ C$	Modalità smart-frequenza F5
8	Quando si seleziona la "modalità di funzionamento Powerful"	$T1 > T_{set} - 1$	$T1 > 27^\circ C$	Modalità powerful-frequenza F10/F9
9		$T1 \leq T_{set} - 1$	$T1 \leq 27^\circ C$	Standby



10	Riavvio per raffreddare l'acqua nello stato di Stand-by	Smart	$T1 \leq T_{set}-1$	$T1 \leq 27^{\circ}\text{C}$	Standby
11			$T_{set} \leq T1 < T_{set}+1$	$28 \leq T1 < 29^{\circ}\text{C}$	Silent-frequenza F2
12			$T_{set}+1 \leq T1 < T_{set}+2$	$29 \leq T1 < 30^{\circ}\text{C}$	Frequenza: F2 -F3-F4,...,- F9
13			$T1 \geq T_{set}+2$	$T1 \geq 30^{\circ}\text{C}$	Modalità powerful-frequenza F9
14		Silent	$T_{set} < T1 \leq T_{set}+1$	$28 < T1 \leq 29^{\circ}\text{C}$	Modalità di silent-frequenza F2/F1
15			$T1 > T_{set}+1$	$T1 > 29^{\circ}\text{C}$	Modalità smart-frequenza F5
16		Powerful	$T1 > T_{set}+1$	$T1 > 29^{\circ}\text{C}$	Modalità powerful-frequenza F10/F9
17	$T1 \leq T_{set}-1$		$T1 \leq 27^{\circ}\text{C}$	Standby	

#### 6.4 Priorità di riscaldamento (vedere paragrafo 6.4), opzione di collegamento

La pompa di filtrazione inizia 60 secondi prima del compressore, la pompa di filtrazione inizia 30 secondi e quindi il flussostato dell'acqua rileva il flusso. Prima che la pompa di calore entri in modalità Standby, il compressore si arresta per primo e dopo 5 minuti si arresta la pompa di filtrazione.

	Condizione	Esempio	Logica di funzionamento della pompa dell'acqua	
Modalità riscaldamento	$P3=0$ , $T1 \geq T_{set}-0.5^{\circ}\text{C}$ , durata di 30 minuti	$P3=0$ , $T1 \geq 27.5^{\circ}\text{C}$ , durata di 30 minuti	1. Quindi entra in modalità standby per 1 ora (non si riavvierà se non accendendolo manualmente).	2. Dopo 1 ora, la pompa di filtrazione si riavvierà per 5 minuti. Se $T1 \leq 27^{\circ}\text{C}$ , la pompa di calore inizierà a funzionare fino a $T1 \geq 27.5^{\circ}\text{C}$ e durerà per 30 minuti per andare in standby
Modalità raffreddamento	$P3=0$ , $T1 \leq T_{set}+0.5^{\circ}\text{C}$ , durata di 30 minuti	$P3=0$ , $T1 \leq 28.5^{\circ}\text{C}$ , durata di 30 minuti	1. Quindi entra in modalità standby per 1 ora (non si riavvierà se non accendendolo manualmente).	2. Dopo 1 ora, la pompa di filtrazione si riavvierà per 5 minuti. Se verifica $T1 \geq 29^{\circ}\text{C}$ , la pompa di calore inizierà a funzionare fino a $T1 \leq 28.5^{\circ}\text{C}$ e durerà per 30 minuti per andare in standby

#### Opzione 2; P3 = 1 La pompa di filtrazione è sempre attiva, P2 = 0 la funzione timer non è attiva

Nella condizione  $P3 = 1$ , quando  $T1 \geq T_{set} + 1^{\circ}\text{C}$  ( $T1 \geq 29^{\circ}\text{C}$ ) dura 3 minuti, la pompa di calore sarà in standby, mentre la pompa di filtrazione è sempre accesa.

Nell'opzione 2, con l'attivazione del timer;  $P2 = 1$  per avviare e arrestare la pompa di filtrazione secondo la programmazione di P4 (tempo), P5 (timer ON) e P6 (timer OFF)

Se la pompa di calore viene accesa / spenta manualmente, la pompa di filtrazione si avvia e si arresta di conseguenza.

#### Condizioni per l'avvio della pompa di calore, il timer ON agisce;

Quando il timer raggiunge il tempo impostato di TIMER ON, la pompa di filtrazione si avvia e dopo 5 minuti si avvia la pompa di calore. La pompa di calore rimane ferma se l'acqua in temperatura è  $\geq T_{set} + 1^{\circ}\text{C}$ , prima che il TIMER sia SPENTO, la filtrazione è ancora attivata.

#### Condizione per arrestare la pompa di calore, il timer OFF agisce;

Quando il timer raggiunge il tempo impostato di TIMER OFF, la pompa di calore si arresta e dopo 5 minuti la pompa di filtrazione si arresta.

**NOTA:**

Tset = Temperatura dell'acqua impostata

Per esempio: Tset = 28°C Temperatura impostata dell'acqua nella pompa di calore della piscina

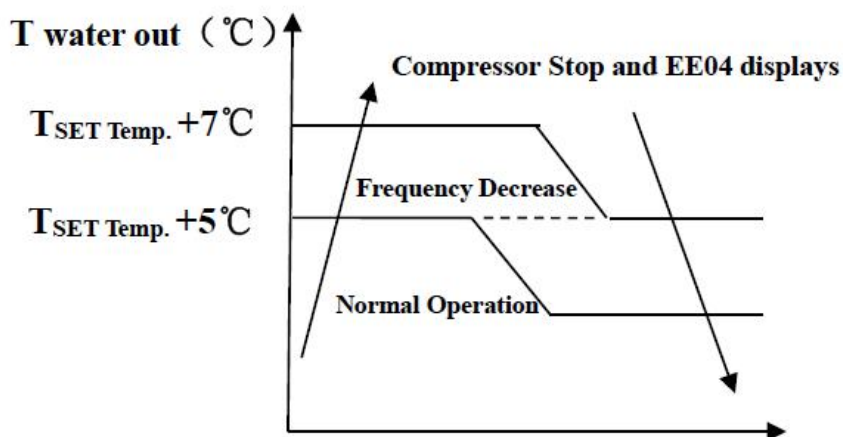
Tset-0.5 = 0.5°C in meno rispetto alla temperatura impostata. Tset- 0.5 = 28-0.5=27.5°C

Tset+0.5=0.5°C in più rispetto alla temperatura impostata. Tset+ 0.5 = 28+0.5=28.5°C

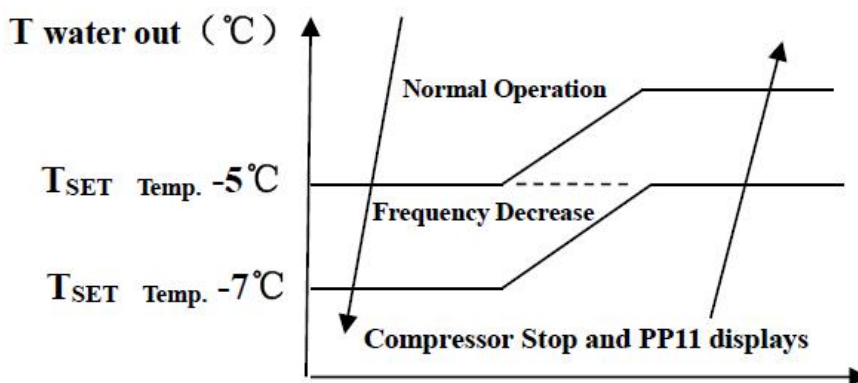
**6.5 protezione dell' unità**

**Osservazioni:**

- 1. In modalità riscaldamento, se la temperatura di uscita dell'acqua è superiore alla temperatura impostata su 7 gradi, il controllore LED visualizza EE04 per la protezione contro il surriscaldamento dell'acqua.
- 2. In modalità raffreddamento, se la temperatura di uscita dell'acqua è inferiore alla temperatura impostata su 7 gradi centigradi, il controllore LED visualizza PP11 per la protezione contro il raffreddamento eccessivo dell'acqua.



**EE04 Protezione da surriscaldamento dell'acqua in uscita**



**PP11 Protezione da sovra raffreddamento dell'acqua in uscita**

Per un esempio si veda a seguire:

Modalità	Temperatura acqua in uscita	Impostazione temperatura	Condizione	Errore
Modalità riscaldamento	36°C	29°C	Tout –Tset ≥7°C	EE04 Protezione da surriscaldamento per temperatura dell'acqua (d2-TH5)
Modalità raffreddamento	23°C	30°C	Tset -Tout ≥7°C	PP11 Protezione insufficiente per temperatura dell'acqua (d2-TH5)

## 7. Risoluzione dei problemi

### 7.1 Visualizzazione del codice di errore sul controller LED

Problema	Codice	Causa	Soluzione
Errore della sonda di temperatura dell'acqua in entrata d1-TH6	PP01	1. Sonda in circuito aperto o in corto circuito 2. Il cablaggio della sonda è allentato	1. Verificare o sostituire la sonda 2. Riparare il cablaggio delle sonde
Errore della sonda di temperatura dell'acqua in uscita d2-TH5	PP02	1. Sonda in circuito aperto o in corto circuito 2. Il cablaggio della sonda è allentato	1. Verificare o sostituire la sonda 2. Riparare il cablaggio delle sonde
Errore della sonda dell'evaporatore d5-TH2	PP03	1. Sonda in circuito aperto o in corto circuito 2. Il cablaggio della sonda è allentato	1. Verificare o sostituire la sonda 2. Riparare il cablaggio delle sonde
Errore della sonda di temperatura ambiente d3-TH1	PP05	1. Sonda in circuito aperto o in corto circuito 2. Il cablaggio della sonda è allentato	1. Verificare o sostituire la sonda 2. Riparare il cablaggio delle sonde
Errore della sonda di tuberia di aspirazione del compressore d6-TH3	PP06	1. Sonda in circuito aperto o in corto circuito 2. Il cablaggio della sonda è allentato	1. Verificare o sostituire la sonda 2. Riparare il cablaggio delle sonde
Protezione antigelo in inverno	PP07	La temperatura ambiente o dell'acqua in entrata è troppo bassa	Protezione normale
Protezione per bassa temperatura ambiente	PP08	1. L'ambiente è al di fuori dell'ambito di uso 2. Anomalia della sonda	1. Smettere di utilizzare fuori dall'ambito di uso 2. Sostituire la sonda.
Errore di alta pressione TS4	EE01	1. La temperatura ambiente è troppo alta il mini-pressostato di alta pressione non è ben collegato o è guasto. 2. La temperatura dell'acqua è troppo alta 3. La portata dell'acqua è insufficiente.	1. Verificare il cablaggio del mini-pressostato di alta pressione o sostituirlo. 2. Controllare il motoventilatore 3. Verificare e riparare il sistema di tubazioni

Problema	Codice	Causa	Soluzione
Errore di bassa pressione TS5	EE02	1. Il mini-pressostato di bassa pressione non è ben collegato o è guasto. si è bloccato o il sistema di tubazioni è otturato 2. La velocità del motore è anomala o il motore è danneggiato 3. Fuga di gas	1. Verificare l'EEV e il sistema di tubazioni Verificare il motore 2. Attraverso il manometro di alta pressione per verificare il valore della pressione 3. Verificare il sistema refrigerante

Errore nella portata dell'acqua TS1	EE03 Or "ON"	<ol style="list-style-type: none"> <li>1. Il flussostato dell'acqua non è ben collegato o è danneggiato</li> <li>2. Portata dell'acqua assente/insufficiente.</li> <li>3. Interruttore di flusso montato in modo scorretto.</li> </ol>	<ol style="list-style-type: none"> <li>1. Verificare il cablaggio del flussostato dell'acqua o sostituirlo</li> <li>2. Verificare la pompa di filtrazione o il circuito dell'acqua</li> <li>3. Controllare la posizione del commutatore di flusso in base alla</li> </ol>
Protezione da surriscaldamento della la temperatura dell'acqua (d2-TH5) in modalità riscaldamento	EE04	<ol style="list-style-type: none"> <li>1. Portata dell'acqua ridotta</li> <li>2. Il flussostato dell'acqua è bloccato e la fornitura d'acqua è stata interrotta</li> <li>3. Anomalia della sonda d2-TH5</li> </ol>	<ol style="list-style-type: none"> <li>1. Verificare il circuito dell'acqua</li> <li>2. Controllare la pompa di filtrazione o il flussostato dell'acqua</li> <li>3. Controllare la sonda d2-TH5 o sostituirla</li> </ol>
Temperatura di scarico del compressore troppo alta d6-TH3	EE05	<ol style="list-style-type: none"> <li>1. Mancanza di gas</li> <li>2. Portata dell'acqua ridotta</li> <li>3. Il sistema di tubazioni è bloccato</li> <li>4. Guasto della sonda d6-TH3</li> </ol>	<ol style="list-style-type: none"> <li>1. Controllare il manometro di alta pressione, se ha un livello insufficiente aggiungere gas</li> <li>2. Verificare il circuito dell'acqua e la pompa di filtrazione</li> <li>3. Verificare il sistema di tubazioni per vedere se esistono ostruzioni</li> <li>4. Sostituire la sonda d6-TH3</li> </ol>
Errore del controller	EE06	<ol style="list-style-type: none"> <li>1. La connessione del cavo non è corretta, o il cavo di segnale è danneggiato</li> <li>2. Guasto del controller</li> </ol>	<ol style="list-style-type: none"> <li>1. Controllare e ricollegare il cavo di segnale</li> <li>2. Sostituire il cavo di segnale</li> <li>3. Interrompere l'alimentazione e riavviare la pompa</li> <li>4. Sostituire il controller</li> </ol>
Protezione del consumo del compressore	EE07	<ol style="list-style-type: none"> <li>1. La corrente del compressore è eccessiva istantaneamente</li> <li>2. Connessione errata per la sequenza di fase del compressore</li> <li>3. Accumuli di liquidi e olio nel compressore fanno aumentare la corrente</li> <li>4. Compressore o scheda madre danneggiati</li> <li>5. Portata dell'acqua anomala</li> <li>6. Fluttuazioni di corrente in poco tempo</li> </ol>	<ol style="list-style-type: none"> <li>1. Verificare il compressore e le fasi.</li> <li>2. Verificare che la potenza sia nella norma</li> <li>3. Verificare il collegamento della sequenza di fase</li> <li>4. Verificare il circuito dell'acqua dell'acqua e la pompa di filtrazione</li> <li>5. Verificare la principale fonte di energia</li> </ol>

<b>Problema</b>	<b>Codice</b>	<b>Causa</b>	<b>Soluzione</b>
Errore di comunicazione tra il controller e la scheda principale	EE08	1. Collegamento del cavo di segnale debole o cavo di segnale danneggiato 2. Guasto del controller	1. Controllare e ricollegare il cavo di segnale 2. Sostituire il cavo di segnale 3. Interrompere l'alimentazione elettrica e riavviare la pompa 4. Sostituire il controller
Errore di comunicazione tra la scheda principale e la scheda del driver	EE09	1. Collegamento del cavo di comunicazioni debole 2. Il cavo è danneggiato	1. Verificare il collegamento del cavo 2. Sostituire il cavo
Protezione VDC. Tensione eccessiva	EE10	1. La tensione della linea della scheda madre è troppo alta 2. Il controller è danneggiato	1. Verificare che la potenza rientri nell'intervallo normale 2. Sostituire il controller
Protezione modulo IPM	EE11	1. Errore di dati 2. Errata connessione di fase del compressore 3. Un accumulo di liquidi o olio nel compressore fanno aumentare la corrente 4. Compressore o controller danneggiati	1. Errore di programma, spegnere l'alimentazione e riavviare dopo 3 minuti 2. Verificare la connessione di sequenza del compressore 3. Controllare la pressione del sistema tramite manometro 4. Controllare se la temperatura ambiente e dell'acqua sono troppo alte 5. Cambia una nuova scheda driver
Protezione di bassa tensione di VDC	EE12	1. La tensione della tensione madre è troppo bassa 2. Il controller è danneggiato	1. Verificare se la potenza rientra nell'intervallo normale 2. Sostituire la scheda di controllo
Protezione contro sovrintensità	EE13	1. La corrente del compressore è momentaneamente eccessiva 2. Anomalia nella portata dell'acqua 3. Fluttuazione di energia in poco tempo 4. Errato induttore PFC	1. Verificare il compressore 2. Verificare il sistema di tubazioni 3. Verificare che la potenza rientri nell'intervallo normale 4. Verificare che si stia utilizzando l'induttore PFC corretto
Errore di uscita del circuito di rilevamento della temperatura del modulo IPM	EE14	1. Uscita fuori dalla norma del circuito termico del modulo IPM 2. Anomalia o guasto del motoventilatore 3. Pala della ventola rotta	1. Sostituire il controller 2. Verificare se la velocità del motore è troppo bassa e se il motoventilatore è danneggiato, eventualmente sostituirlo 3. Sostituire la palla della ventola 4. Verificare la tensione di ingresso

<b>Problema</b>	<b>Codice</b>	<b>Causa</b>	<b>Soluzione</b>
Protezione della temperatura alta del modulo IPM	EE15	<ol style="list-style-type: none"> <li>1. Eccezione di uscita del circuito termico del modulo IPM</li> <li>2. Il motore è anormale o danneggiato</li> <li>3. Pala della ventola rotta</li> </ol>	<ol style="list-style-type: none"> <li>1. Sostituire il controller</li> <li>2. Verificare se la velocità del motore del ventilatore è insufficiente o se il motoventilatore è danneggiato, sostituirlo</li> <li>3. Sostituire la pala della ventola</li> </ol>
Protezione del modulo PFC	EE16	<ol style="list-style-type: none"> <li>1. Eccezione di uscita del modulo PFC</li> <li>2. Anomalia o danno del motore</li> <li>3. La pala della ventola rotta</li> <li>4. Salto nel voltaggio di ingresso, anomalia della potenza di ingresso</li> </ol>	<ol style="list-style-type: none"> <li>1. Sostituire il controller</li> <li>2. Verificare se la velocità del motore è insufficiente o il motoventilatore è danneggiato, eventualmente sostituirlo</li> <li>3. Sostituire la pala della ventola</li> <li>4. Verificare la tensione di ingresso</li> </ol>
Guasto motore ventilatore DC	EE17	<ol style="list-style-type: none"> <li>1. Il motore CC è danneggiato</li> <li>2. Per la macchina trifase, verificare se il neutro è collegato</li> <li>3. La scheda madre è danneggiata</li> <li>4. La pala della ventola è bloccata</li> </ol>	<ol style="list-style-type: none"> <li>1. Individuare il motore DC e sostituirlo</li> <li>2. Controllare il collegamento del cablaggio per la macchina trifase</li> <li>2. Controllare la scheda, sostituire una nuova scheda del driver del motore del ventilatore o la scheda principale in caso di guasto</li> <li>3. Individuare l'ostacolo ed eliminarlo</li> </ol>
Anomalia nel funzionamento del modulo PFC	EE18	La scheda di controllo è danneggiata	<ol style="list-style-type: none"> <li>1. Sostituire il controller</li> <li>2. Verificare se la velocità del motore del ventilatore è insufficiente o il motoventilatore è danneggiato, eventualmente sostituirlo</li> </ol>
Errore per alta temperatura del modulo PFC	EE19	<ol style="list-style-type: none"> <li>1. Anomalia nell'uscita del circuito termico del modulo PFC</li> <li>2. Anomalia o danno nel motore</li> <li>3. Pala della ventola rotta</li> <li>4. Vite della scheda di controllo allenata</li> </ol>	<ol style="list-style-type: none"> <li>1. Sostituire il controller</li> <li>2. Controllare se la velocità del motore è troppo bassa o il motore del ventilatore è danneggiato, eventualmente sostituirlo</li> <li>3. Sostituire la pala della ventola</li> <li>4. Verificare che la vite non sia allenata</li> </ol>
Errore nell'alimentazione di ingresso	EE20	Il voltaggio della sorgente di alimentazione oscilla eccessivamente	Verificare la stabilità del voltaggio

<b>Problema</b>	<b>Codice</b>	<b>Causa</b>	<b>Soluzione</b>
Errore nel controllo del software	EE21	<ol style="list-style-type: none"> <li>1. Il compressore va fuori giri</li> <li>2. Programma errato</li> <li>3. Delle impurità all'interno del compressore causano una velocità di rotazione instabile</li> </ol>	<ol style="list-style-type: none"> <li>1. Verificare o sostituire il controller</li> <li>2. Inserire il programma corretto</li> </ol>
Errore di circuito nel rilevamento della corrente	EE22	<ol style="list-style-type: none"> <li>1. Segnale di tensione anomalo</li> <li>2. Controller danneggiato</li> <li>3. Errore della scheda madre</li> </ol>	<ol style="list-style-type: none"> <li>1. Verificare o sostituire il controller</li> <li>2. Cambia una nuova scheda driver</li> </ol>
Errore all'avvio del compressore	EE23	<ol style="list-style-type: none"> <li>1. Il controller è danneggiato</li> <li>2. Errore nel cablaggio del compressore , scarso contatto o mancato collegamento</li> <li>3. Accumulo di liquido all'interno</li> <li>4. Errata connessione di fase per il compressore</li> </ol>	<ol style="list-style-type: none"> <li>1. Verificare o sostituire il controller</li> <li>2. Verificare il cablaggio del compressore secondo lo schema elettrico</li> <li>3. Controllare il compressore o sostituirlo</li> </ol>
Errore del dispositivo di temperatura ambiente nella scheda elettronica	EE24	Errore del dispositivo di temperatura ambiente	Sostituire la scheda del controller o la scheda principale
Errore nella fase del compressore	EE25	Connessione scadente delle fasi U,V e W	Verificare l'attuale cablaggio confrontandolo con lo schema elettrico
Errore della valvola a 4 vie	EE26	<ol style="list-style-type: none"> <li>1. Errore della valvola di ritorno a 4 vie</li> <li>2. Mancanza di refrigerante (non la rileva in caso di d5-TH2 o d3-TH1)</li> </ol>	<ol style="list-style-type: none"> <li>1. Passare alla modalità raffreddamento per verificare se la valvola a 4 vie si è invertita correttamente</li> <li>2. Sostituire la valvola a 4 vie</li> <li>3. Caricare gas</li> </ol>
Errore di lettura dei dati sulla EEPROM	EE27	<ol style="list-style-type: none"> <li>1. Dati EEPROM errati nel programma o errore di inserimento dei dati EEPROM</li> <li>2. Errore della scheda principale</li> </ol>	<ol style="list-style-type: none"> <li>1. Inserire i dati corretti EEPROM</li> <li>2. Sostituire il controller</li> </ol>
Errore di comunicazione nel chip interno della scheda elettronica	EE28	Errore della scheda principale	<ol style="list-style-type: none"> <li>1. Spegnerne l'alimentazione elettrica e riavviare</li> <li>2. Sostituire la scheda principale</li> </ol>

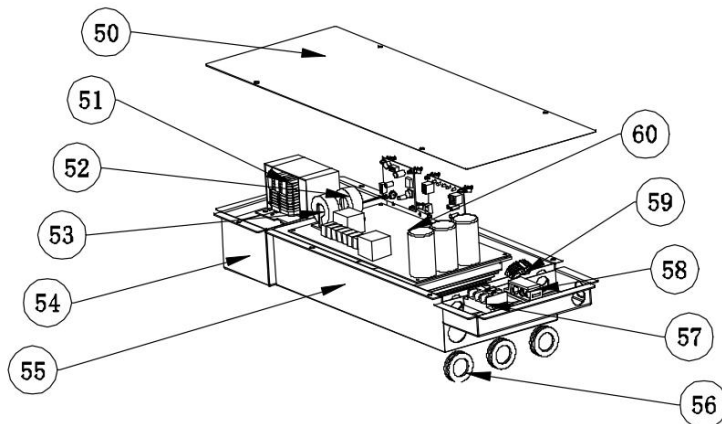
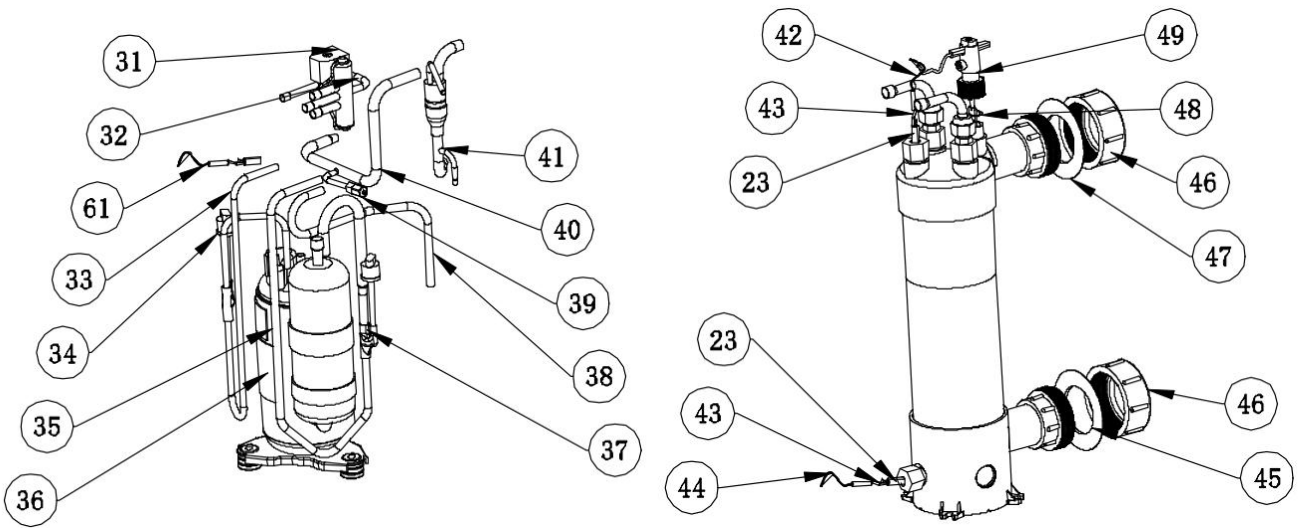
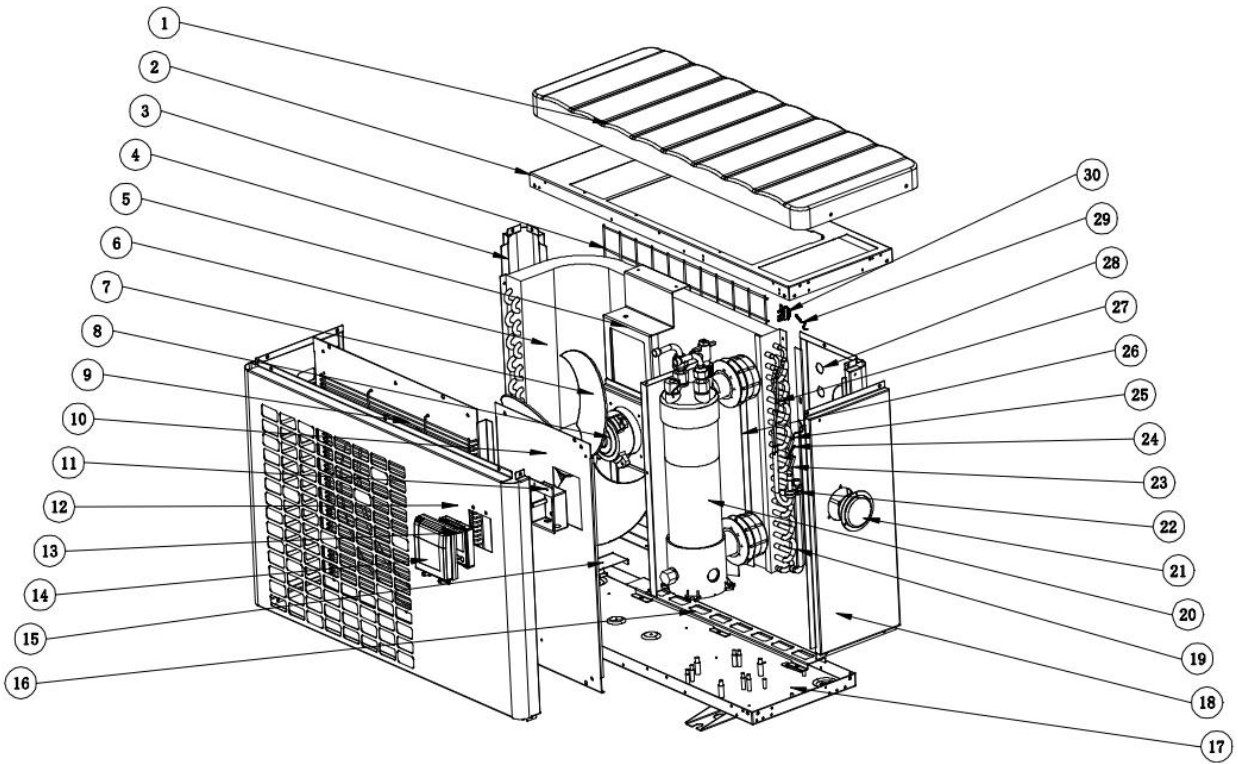
## 8.2 Altri guasti e soluzioni (non viene mostrato nulla sul controller LED)

Problema	Descrizione	Causa	Soluzione
Pompa di calore non funzionante	Non viene mostrato nulla sul controller LED	Nessuna alimentazione	Verificare che il cavo e l'interruttore siano collegati
	Il controller LED mostra il tempo attuale.	Pompa di calore in modalità stand-by	Avviare la pompa di calore per metterla in funzione
	Il controller LED mostra l'attuale temperatura dell'acqua.	<ol style="list-style-type: none"> <li>1. La temperatura dell'acqua sta raggiungendo il valore impostato, pompa di calore in modalità di temperatura costante.</li> <li>2. La pompa di calore ha appena iniziato a funzionare.</li> <li>3. In fase di sbrinamento.</li> </ol>	<ol style="list-style-type: none"> <li>1. Verificare l'impostazione della temperatura dell'acqua.</li> <li>2. Avviare la pompa di calore dopo alcuni minuti.</li> <li>3. Il controller LED deve mostrare "Sbrinamento".</li> </ol>
La temperatura dell'acqua si raffredda mentre la pompa di calore funziona in modalità riscaldamento	Il controller LED mostra l'attuale temperatura dell'acqua e il codice errore	<ol style="list-style-type: none"> <li>1. È stata scelta la modalità sbagliata.</li> <li>2. Le cifre mostrano i problemi.</li> <li>3. Guasto del controller.</li> </ol>	<ol style="list-style-type: none"> <li>1. Regolare la modalità per un adeguato funzionamento</li> <li>2. sostituire il controller LED difettoso, e verificare lo stato dopo aver cambiato modalità di funzionamento, controllando la temperatura dell'acqua in entrata e in uscita.</li> <li>3. Sostituire o riparare la pompa di calore</li> </ol>
Breve funzionamento	Il controller LED mostra l'attuale temperatura dell'acqua, non appare il codice di errore	<ol style="list-style-type: none"> <li>1. Ventilatore NON funzionante.</li> <li>2. La ventilazione dell'aria non è sufficiente.</li> <li>3. Il refrigerante non è sufficiente.</li> </ol>	<ol style="list-style-type: none"> <li>1. Verificare le connessioni dei cavi tra motore e ventilatore, se necessario, sostituire.</li> <li>2. Verificare la posizione pompa di calore, ed eliminare tutti gli ostacoli che impediscono una buona circolazione dell'aria.</li> <li>3 Sostituire o riparare pompa di calore.</li> </ol>
Macchie di acqua	Macchie d'acqua sulla pompa di calore	<ol style="list-style-type: none"> <li>1. Protezione.</li> <li>2. Perdita d'acqua.</li> </ol>	<ol style="list-style-type: none"> <li>1. Nessuna azione.</li> <li>2. Controllare con attenzione lo scambiatore di calore in titanio per escludere eventuali fughe</li> </ol>
Eccesso di ghiaccio nell'evaporatore	Eccesso di ghiaccio nell'evaporatore		<ol style="list-style-type: none"> <li>1. Verificare la posizione della pompa di calore, ed eliminare tutti gli ostacoli che impediscono una buona circolazione dell'aria.</li> <li>2. Sostituire o riparare la pompa di calore.</li> </ol>



# 8. Exploded Diagram

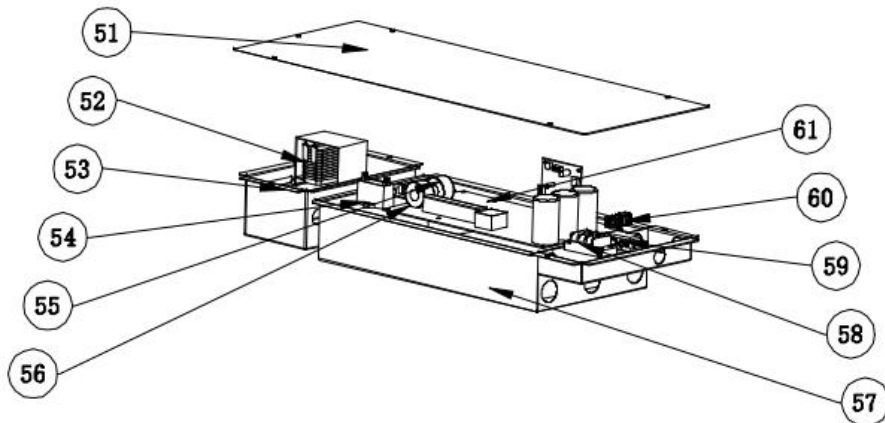
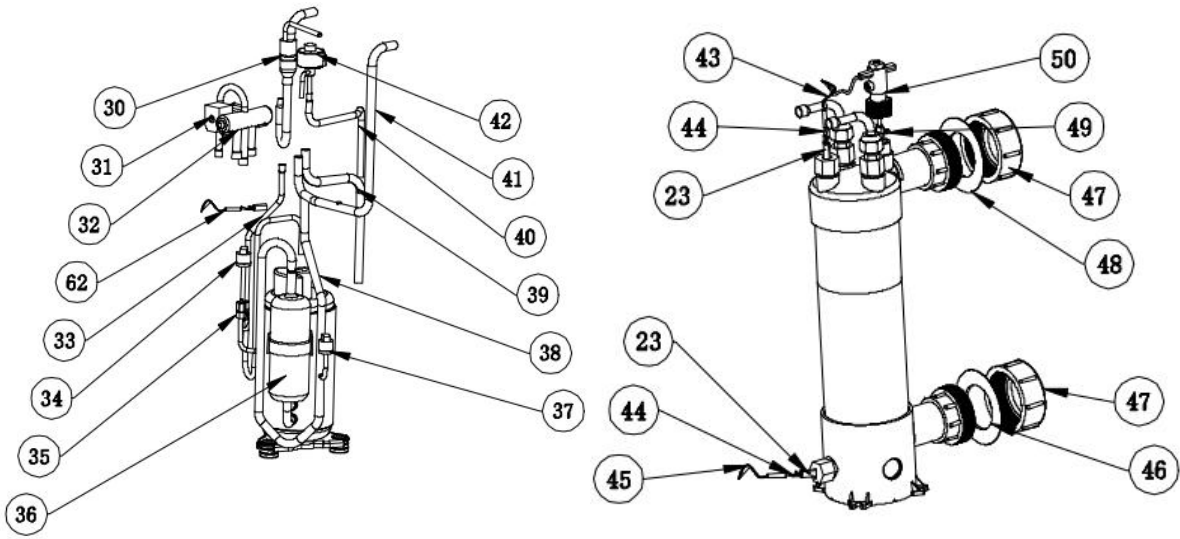
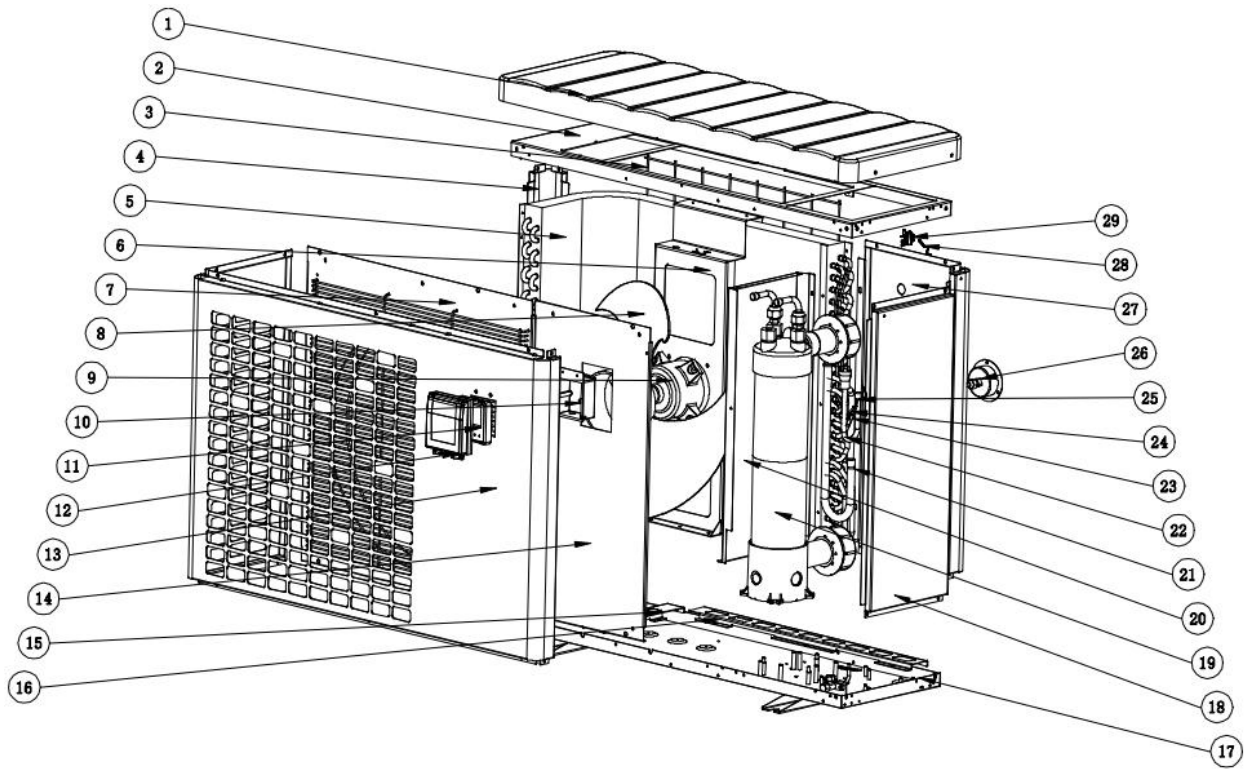
Model: VSN-10



## Spare parts list: VSN-10

NO	ERP	Spare parts	NO	ERP	Spare parts
1	133340015	Coperchio superiore	32	121000037	Valvola a quattro vie
2	108830029	Telaio superiore	33	113010335	Tubo di scarico
3	108830014	Griglia posteriore	34	112100030	Mini-pressostato di altra pressione
4	108830055	Colonna	35	113020444	Tubi di ritorno gas
5	108830054	Supporto motoventilatore	36	101000187	Compressore + basi anti-vibrazioni
6	103000271	Evaporatore	37	112100046	Mini-pressostato di bassa pressione
7	113600007	Pala del ventilatore	38	113060157	Tubo
8	112000069	Motoventilatore	39	120000098	Valvola di aspirazione
9	108830057	Assemblaggio del pannello frontale	40	113030150	Valvola a 4 vie per scambiatore
10	108830024	Pannello di manutenzione	41	113090091	Scambiatore a capillare
11	133030011	Scatola del controller	42	117110012	Sonda temperatura acqua entrata d1-TH6
12	108830058	Pannello frontale	43	108010025	Clip sonda di temperatura dello scambiatore
13	117020212	Controller	44	117110011	Sonda temperatura acqua in uscita d2-TH5
14	113712007	Coperchio del controller	45	133020011	Anello gomma blu
15	108830004	Tampone evaporatore	46	102050004	Set collegamento dell'acqua
16	108830005	Tampone evaporatore	47	133020012	Guarnizione di gomma rossa
17	108830001	Vaschetta base	48	133020026	Guarnizione di tenuta flussostato acqua
18	108830059	Pannello destro	49	112100021-3	Flussostato dell'acqua
19	103000271	Tubi evaporatore	50	108830031	Coperchio scatola elettrica
20	103000271	Scambiatore di calore in titanio	51	117230003	Reattore
21	106000011	Manometro	52	117240002	Anello magnetico
22	136020018	Bloccogomma	53	117240003	Anello magnetico
23	113190001	Clip	54	108830026	Scatola reattore
24	113190007	Sede sonda	55	108830030	Scatola elettrica
25	117110004	Sonda evaporatore d5-TH2	56	136020119	Guarnizione di gomma
26	108830003	Pannello isolante	57	115000002	Morsetti di connessione
27	103000271	Tubi di distribuzione	58	136010004	Clip per cavo di connessione
28	108830056	Pannello posteriore	59	115000060	Morsetti di connessione
29	117110020	Sonda temp. ambiente d3-TH1	60	117100046	PCB
30	133020010	Clip sonda temp. ambiente	61	117110021	Sonda di temperatura scarico d6-TH3
31	121000035	Valvola a 4 vie			

**Model: VSN-12 / VSN-15 / VSN-17**



## Spare parts list: VSN-12

NO	ERP	Spare parts	NO	ERP	Spare parts
1	133300019	Coperchio superiore	32	121000037	Valvola a quattro vie
2	108790071	Telaio superiore	33	113010349	Tubo di scarico
3	108790049	Griglia posteriore	34	112100030	Mini-pressostato di altra pressione
4	108790107	Colonna	35	120000097	Valvola di aspirazione
5	103000283	Evaporatore	36	101000188	Compressore + basi anti-vibrazioni
6	108790111	Supporto motoventilatore	37	112100046	Mini-pressostato di bassa pressione
7	108790127	Assemblaggio del pannello frontale	38	113020460	Tubi di ritorno gas
8	113600010	Pala del ventilatore	39	113060156	Tubo
9	112000070	Motoventilatore	40	113090087	Scambiatore a capillare
10	133030011	Scatola del controller	41	113030155	Valvola a 4 vie per scambiatore
11	117020212	Controller	42	109000053	Capillare
12	113712007	Coperchio del controller	43	117110012	Sonda temperatura acqua entrata d1-TH6
13	108790112	Pannello frontale	44	108010025	Clip sonda di temperatura dello scambiatore
14	108790081	Pannello di manutenzione	45	117110011	Sonda temperatura acqua in uscita d2-TH5
15	108790025	Tampone evaporatore	46	133020011	Anello gomma blu
16	108790026	Tampone evaporatore	47	102050004	Set collegamento dell'acqua
17	108790013	Vaschetta base	48	133020012	Guarnizione di gomma rossa
18	108790109	Pannello destro	49	133020026	Guarnizione di tenuta flussostato acqua
19	102040861	Scambiatore di calore in titanio	50	112100021-3	Flussostato dell'acqua
20	108790024	Pannello isolante	51	108790072	Coperchio scatola elettrica
21	103000283	Tubi evaporatore	52	117230003	Reattore
22	103000283	Tubi di distribuzione	53	108790073	Scatola reattore
23	113190001	Clip	54	111000006	Condensatore ventola
24	113190007	Sede sonda	55	117240002	Anello magnetico
25	117110004	Sonda evaporatore d5-TH2	56	117240003	Anello magnetico
26	106000011	Manometro	57	108790075	Scatola elettrica
27	108790108	Pannello posteriore	58	115000002	Morsetti di connessione
28	117110020	Sonda temp. ambiente d3-TH1	59	136010004	Clip per cavo di connessione
29	133020010	Clip sonda temp. ambiente	60	115000060	Morsetti di connessione
30	113030155	Valvola a 4 vie per scambiatore	61	117100046	PCB
31	121000034	Valvola a 4 vie	62	117110021	Sonda di temperatura scarico d6-TH3

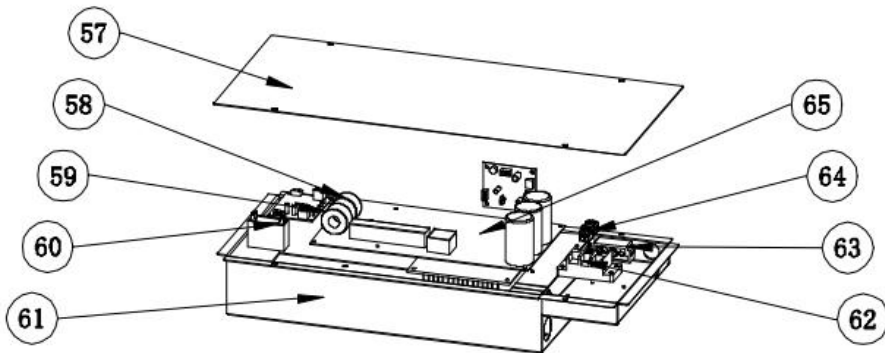
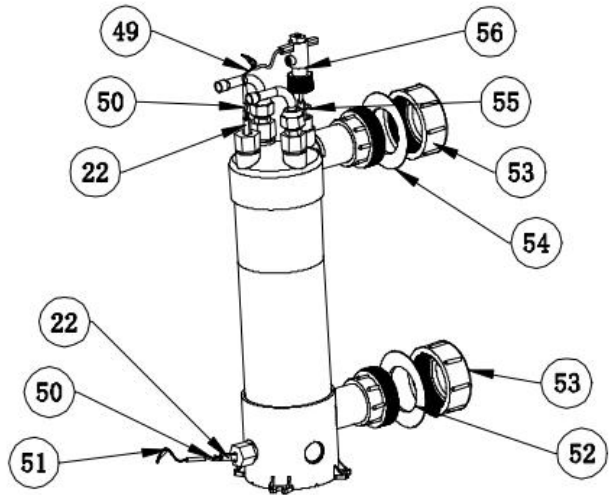
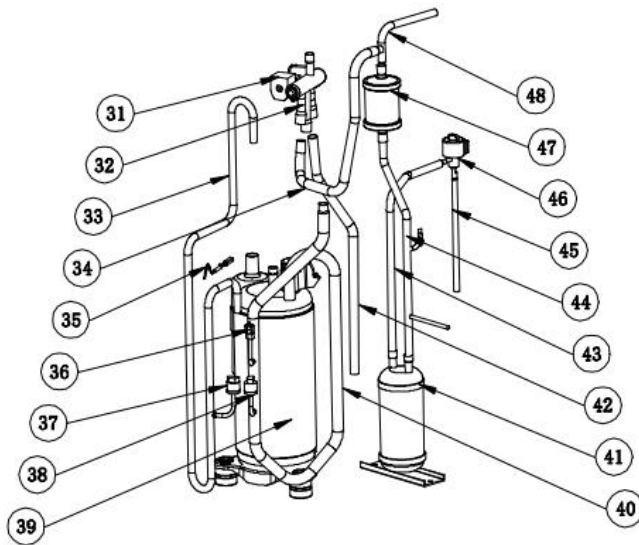
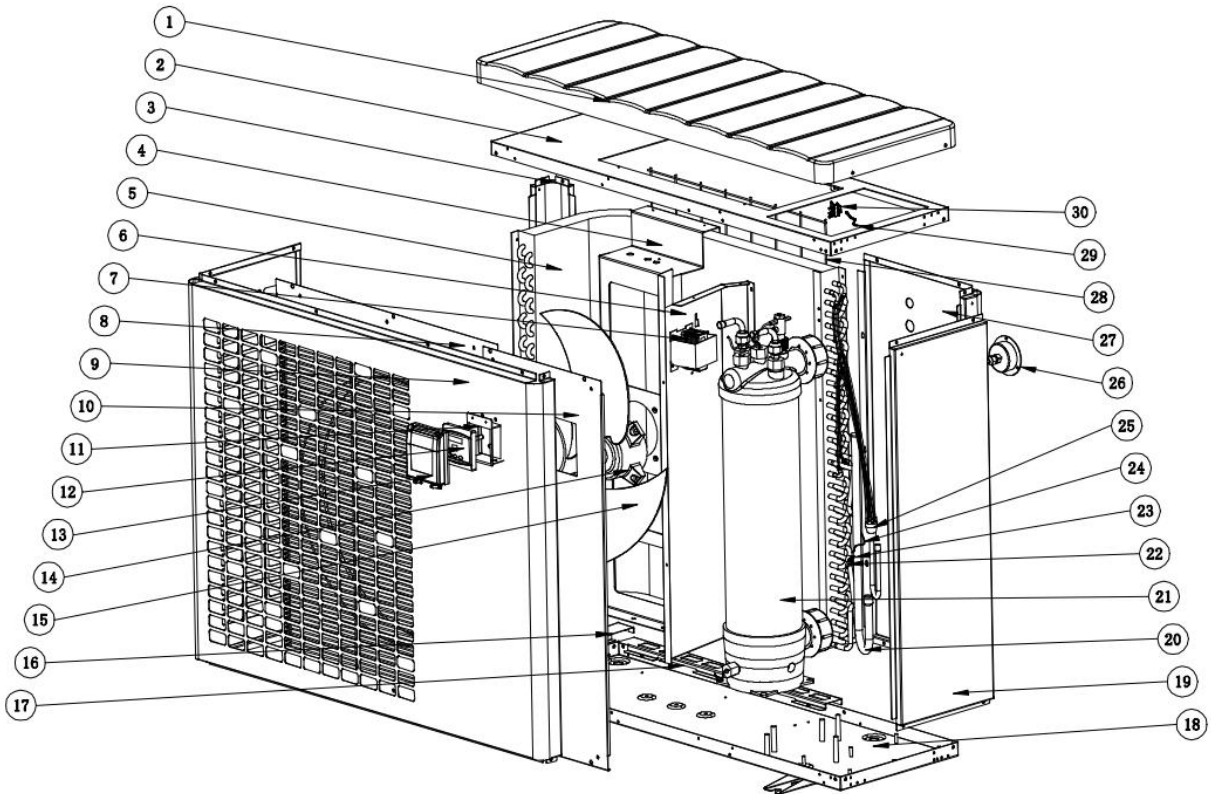
## Spare parts list: VSN-15

NO	ERP	Spare parts	NO	ERP	Spare parts
1	133300019	Coperchio superiore	32	121000037	Valvola a quattro vie
2	108790071	Telaio superiore	33	113010349	Tubo di scarico
3	108790049	Griglia posteriore	34	112100030	Mini-pressostato di altra pressione
4	108790107	Colonna	35	120000097	Valvola di aspirazione
5	103000290	Evaporatore	36	101000188	Compressore + basi anti-vibrazioni
6	108790111	Supporto motoventilatore	37	112100046	Mini-pressostato di bassa pressione
7	108790127	Assemblaggio del pannello frontale	38	113020460	Tubi di ritorno gas
8	113600010	Pala del ventilatore	39	113060156	Tubo
9	112000070	Motoventilatore	40	113080110	Scambiatore a capillare
10	133030011	Scatola del controller	41	113070054	Valvola a 4 vie per scambiatore
11	117020212	Controller	42	119000058	Capillare
12	113712007	Coperchio del controller	43	117110012	Sonda temperatura acqua entrata d1-TH6
13	108790112	Pannello frontale	44	108010025	Clip sonda di temperatura dello scambiatore
14	108790081	Pannello di manutenzione	45	117110011	Sonda temperatura acqua in uscita d2-TH5
15	108790025	Tampone evaporatore	46	133020011	Anello gomma blu
16	108790026	Tampone evaporatore	47	102050004	Set collegamento dell'acqua
17	108790013	Vaschetta base	48	133020012	Guarnizione di gomma rossa
18	108790109	Pannello destro	49	133020026	Guarnizione di tenuta flussostato acqua
19	102040865	Scambiatore di calore in titanio	50	112100021-3	Flussostato dell'acqua
20	108790024	Pannello isolante	51	108790072	Coperchio scatola elettrica
21	103000290	Tubi evaporatore	52	117230003	Reattore
22	103000290	Tubi di distribuzione	53	108790073	Scatola reattore
23	113190001	Clip	54	111000006	Condensatore ventola
24	113190007	Sede sonda	55	117240002	Anello magnetico
25	117110004	Sonda evaporatore d5-TH2	56	117240003	Anello magnetico
26	106000011	Manometro	57	108790074	Scatola elettrica
27	108790108	Pannello posteriore	58	115000002	Morsetti di connessione
28	117110020	Sonda temp. ambiente d3-TH1	59	136010004	Clip per cavo di connessione
29	133020010	Clip sonda temp. ambiente	60	115000060	Morsetti di connessione
30	113030155	Valvola a 4 vie per scambiatore	61	117100047	PCB
31	121000034	Valvola a 4 vie	62	117110021	Sonda di temperatura scarico d6-TH3

## Spare parts list: VSN-17

NO	ERP	Spare parts	NO	ERP	Spare parts
1	133300019	Coperchio superiore	32	121000037	Valvola a quattro vie
2	108790071	Telaio superiore	33	113010390	Tubo di scarico
3	108790049	Griglia posteriore	34	112100030	Mini-pressostato di altra pressione
4	108790107	Colonna	35	120000097	Valvola di aspirazione
5	103000291	Evaporatore	36	101000181	Compressore + basi anti-vibrazioni
6	108790111	Supporto motoventilatore	37	112100046	Mini-pressostato di bassa pressione
7	108790127	Assemblaggio del pannello frontale	38	113020541	Tubi di ritorno gas
8	113600010	Pala del ventilatore	39	113060156	Tubo
9	112000070	Motoventilatore	40	113080115	Scambiatore a capillare
10	133030011	Scatola del controller	41	113070054	Valvola a 4 vie per scambiatore
11	117020212	Controller	42	119000058	Capillare
12	113712007	Coperchio del controller	43	117110012	Sonda temperatura acqua entrata d1-TH6
13	108790112	Pannello frontale	44	108010025	Clip sonda di temperatura dello scambiatore
14	108790081	Pannello di manutenzione	45	117110011	Sonda temperatura acqua in uscita d2-TH5
15	108790025	Tampone evaporatore	46	133020011	Anello gomma blu
16	108790026	Tampone evaporatore	47	102050004	Set collegamento dell'acqua
17	108790093	Vaschetta base	48	133020012	Guarnizione di gomma rossa
18	108790109	Pannello destro	49	133020026	Guarnizione di tenuta flussostato acqua
19	103000271	Scambiatore di calore in titanio	50	112100021-3	Flussostato dell'acqua
20	108790024	Pannello isolante	51	108790072	Coperchio scatola elettrica
21	103000291	Tubi evaporatore	52	117230003	Reattore
22	103000291	Tubi di distribuzione	53	108790073	Scatola reattore
23	113190001	Clip	54	111000006	Condensatore ventola
24	113190007	Sede sonda	55	117240002	Anello magnetico
25	117110004	Sonda evaporatore d5-TH2	56	117240003	Anello magnetico
26	106000011	Manometro	57	108790074	Scatola elettrica
27	108790108	Pannello posteriore	58	115000002	Morsetti di connessione
28	117110020	Sonda temp. ambiente d3-TH1	59	136010004	Clip per cavo di connessione
29	133020010	Clip sonda temp. ambiente	60	115000060	Morsetti di connessione
30	113030172	Valvola a 4 vie per scambiatore	61	117100047	PCB
31	121000034	Valvola a 4 vie	62	117110021	Sonda di temperatura scarico d6-TH3

**Model: VSN-21**



NO	ERP	Spare parts	NO	ERP	Spare parts
1	133350015	Coperchio superiore	34	113030174	Valvola a 4 vie per scambiatore
2	108840002	Telaio superiore	35	117110004	Sonda evaporatore d5-TH2
3	108840081	Colonna	36	120000097	Valvola di aspirazione
4	108840079	Supporto motoventilatore	37	112100030	Mini-pressostato di altra pressione
5	103000292	Evaporatore	38	112100046	Mini-pressostato di bassa pressione
6	108840003	Pannello isolante	39	101000185	Compressore + basi anti-vibrazioni
7	117230002	Reattore	40	113020451	Tubi di ritorno gas
8	108840084	Assemblaggio del pannello frontale	41	105000004	Serbatoio liquido
9	108840080	Pannello frontale	42	113060159	Tubo
10	108840083	Wartungspanel	43	113120040	Serbatoio liquido a EEV
11	133030011	Scatola del controller	44	113130042	Filtro al serbatoio di stoccaggio liquido
12	117020284	Controller	45	113080111	EEV per tubi di distribuzione
13	113712007	Coperchio del controller	46	119000059	EEV
14	111400043	Motoventilatore	47	120000066	Filtrare
15	113600013	Pala del ventilatore	48	113130035	Scambiatore per filtrare
16	108840004	Tampone evaporatore	49	117110012	Sonda temperatura acqua entrata d1-TH6
17	108840005	Tampone evaporatore	50	108010025	Clip sonda di temperatura dello scambiatore
18	108840001	Vaschetta base	51	117110011	Sonda temperatura acqua in uscita d2-TH5
19	108840085	Pannello destro	52	133020011	Anello gomma blu
20	103000292	Tubi evaporatore	53	102050004	Set collegamento dell'acqua
21	102041021	Scambiatore di calore in titanio	54	133020012	Guarnizione di gomma rossa
22	113190001	Clip	55	133020026	Guarnizione di tenuta flussostato acqua
23	113190007	Sede sonda	56	112100021-3	Flussostato dell'acqua
24	117110021	Sonda di temperatura scarico d6-TH3	57	108840008	Coperchio scatola elettrica
25	103000292	Tubi di distribuzione	58	117240002	Anello magnetico
26	106000011	Manometro	59	117240003	Anello magnetico
27	108840082	Pannello posteriore	60	111000006	Condensatore ventola
28	108840014	Griglia posteriore	61	108840007	Scatola elettrica
29	117110020	Sonda temp. ambiente d3-TH1	62	115000025	Morsetti di connessione
30	133020010	Clip sonda temp. ambiente	63	136010004	Clip per cavo di connessione
31	121000028	Valvola a 4 vie	64	115000060	Morsetti di connessione
32	121000037	Valvola a quattro vie	65	117100047	PCB
33	113010339	Tubo di scarico			



## 9. Manutenzione

Avvertimento !

-Prima di qualsiasi intervento di manutenzione sull'elettrodomestico, è necessario interrompere l'alimentazione elettrica poiché esiste il rischio di scosse elettriche che possono causare danni materiali, lesioni gravi o addirittura la morte.

- Si consiglia di sottoporre l'apparecchiatura a una manutenzione generale almeno annuale per garantirne il corretto funzionamento, mantenerne le prestazioni ed evitare possibili guasti, queste operazioni vengono eseguite a spese dell'utente, da un tecnico qualificato. eseguito da un tecnico qualificato.

-per la manutenzione che deve essere eseguita da un tecnico qualificato, si prega di leggere le istruzioni di sicurezza nelle pagine precedenti riportate nel capitolo "manutenzione: avvertenze riguardanti apparecchi contenenti refrigerante R32" prima di eseguire una qualsiasi delle operazioni di manutenzione descritte di seguito.

(1) Controllare con regolarità il sistema di erogazione dell'acqua per evitare che entri aria nel sistema con una conseguente riduzione della portata dell'acqua, Tali guasti comprometterebbero la performance e l'affidabilità della pompa di calore.

(2) Pulire con regolarità le piscine e i sistemi filtranti per evitare di causare danni all'unità dovuti alla sporcizia presente nell'impianto di filtrazione.

(3) Solo un tecnico qualificato è autorizzato a intervenire sulla pressione del sistema di refrigerazione.

(4) Verificare la connessione del cavo di potenza. Se la pompa di calore inizia a funzionare in maniera anomala, spegnerla e contattare un tecnico qualificato.

(5) Svuotare sempre l'acqua presente nella pompa di calore quando la medesima rimane ferma, ovvero in inverno o quando la temperatura ambiente scende sotto lo 0°C. Altrimenti, si corre il rischio di congelamento nello scambiatore in titanio con un conseguente annullamento della garanzia.

(6) Si prega di svuotare sempre l'acqua della pompa di calore durante il periodo invernale o quando la temperatura ambiente scende al di sotto di 0 °C, altrimenti lo scambiatore in Titanio verrà danneggiato a causa del congelamento, in tal caso la garanzia verrà persa.

# WAARSCHUWINGEN

	<p>Dit symbool geeft aan dat er informatie beschikbaar is, zoals de Bedieningshandleiding of de Installatiehandleiding.</p>		<p>Dit symbool geeft aan dat er in dit apparaat R32 wordt gebruikt, een koelmiddel met lage verbrandingsnelheid.</p>
	<p>Dit symbool geeft aan dat de Gebruikershandleiding vooraf zorgvuldig moet worden gelezen.</p>		<p>Dit symbool geeft aan dat de persoonlijke servicedienst deze apparatuur moet behandelen zoals aangegeven in de Installatiehandleiding.</p>

## ALGEMENE WAARSCHUWINGEN

- Het negeren van de waarschuwingen kan leiden tot schade aan de zwembadinstallatie of tot ernstig letsel, en kan zelfs de dood tot gevolg hebben.
- Alleen een vakman op het gebied van de betreffende technische vakgebieden (elektriciteit, hydraulica of koeltechnieken) is bevoegd onderhoud of reparaties uit te voeren aan het apparaat. De gekwalificeerde technicus die werkzaamheden op het apparaat uitvoert, moet persoonlijke beschermingsmiddelen gebruiken / dragen (zoals een veiligheidsbril, handschoenen, etc...) om het risico op verwondingen te voorkomen tijdens werkzaamheden op het apparaat.
- Controleer vóór het uitvoeren van ongeacht welke werkzaamheden of de stroom uitgeschakeld is en de toegang tot het apparaat vergrendeld is.
- Dit apparaat is niet bestemd voor een gebruik door personen (inclusief kinderen) waarvan de lichamelijke, zintuiglijke of geestelijke vermogens verminderd zijn of door personen zonder enige ervaring en kennis, tenzij: **zij via een voor hun veiligheid verantwoordelijke persoon onder toezicht staan of van tevoren instructies hebben ontvangen betreffende het gebruik van het apparaat; en zij de mogelijke gevaren begrijpen.**
- Kinderen moeten onder toezicht staan, om te voorkomen dat zij niet met het apparaat spelen.
- Het apparaat moet worden geïnstalleerd volgens de instructies van de fabrikant en met respect voor de heersende lokale en nationale normen. De installateur is verantwoordelijk voor het installeren van het apparaat en de naleving van de nationale regelgeving met betrekking tot de installatie. De fabrikant kan in geen geval aansprakelijk worden gesteld wanneer de ter plaatse geldende installatienormen niet worden gerespecteerd.
- Voor alle andere tussenkomsten dan het eenvoudig gebruikersonderhoud zoals beschreven in deze handleiding, moet het product worden onderhouden door een vakman.
- Elke slechte installatie en/of verkeerd gebruik kan leiden tot ernstige materiële schade of lichamelijke letsels (die tot de dood kunnen leiden).
- Raadpleeg de garantievoorwaarden voor de gegevens van de toegelaten evenwichtsvoorwaarden van het water voor de werking van het apparaat.
- Elke deactivering, verwijdering of ontwijking van een van de ingebouwde beveiligingselementen in het

apparaat doet automatisch de garantie vervallen, evenals het gebruik van vervangende onderdelen afkomstig van een niet-geautoriseerde derde fabrikant.

- Spuit geen insecticide of andere chemische producten (al dan niet brandbaar) in de richting van het apparaat, dit kan de behuizing beschadigen en brand veroorzaken.
- Raak de ventilator en de bewegende delen niet aan en houd voorwerpen en uw vingers uit de buurt van de bewegende delen tijdens de werking van het apparaat. De bewegende delen kunnen ernstig en zelfs dodelijk letsel tot gevolg hebben.
- Bewaar de display-controller in een droge ruimte of sluit de isolatiekap goed om te voorkomen dat de display-controller wordt beschadigd door vocht.

#### **WAARSCHUWINGEN MET BETREKKING TOT ELEKTRISCHE APPARATEN**

- De elektrische voeding van het apparaat moet worden beschermd door een speciale aardlekbeveiliging (RCD) van 30 mA conform de normen van het land waar het geïnstalleerd wordt.
- Een aangepaste scheidingsmethode die voldoet aan alle lokale en nationale regelgeving voor overspanning van categorie III, die alle polen van het voedingscircuit snijdt, moet worden geïnstalleerd in het voedingscircuit van het apparaat. Deze scheidingsmethode wordt niet meegeleverd met het apparaat en moet door de installateur worden geleverd.
- Controleer vóór alle werkzaamheden dat:

**De spanning, aangegeven op het kenplaatje van het apparaat overeenkomt met deze van het net,**

**het voedingsnet geschikt is voor het gebruik van dit apparaat, en beschikt over een stopcontact met aarding, of de stekker (indien aanwezig) is aangepast aan het stopcontact.**

- Een apparaat in bedrijf niet loskoppelen en opnieuw aansluiten.
- Niet aan de voedingskabel trekken om deze los te koppelen.
- Indien de voedingskabel beschadigd raakt, moet deze worden vervangen door de fabrikant, zijn servicedienst of een gekwalificeerd technicus, om de veiligheid te garanderen.
- Geen onderhoud of een servicebeurt uitvoeren aan het apparaat met vochtige handen of wanneer het apparaat vochtig is.
- Alvorens het apparaat aan te sluiten op de voedingsbron verifiëren of het aansluitblok of het stopcontact waar het apparaat op zal worden aangesloten, in goede staat verkeert en niet beschadigd of verroest is.
- Haal bij onweerachtig weer de stekker van het apparaat uit het stopcontact om te voorkomen dat dit wordt beschadigd door de bliksem.

Dompel het apparaat niet onder in water modder ;

#### **WAARSCHUWINGEN VOOR APPARATEN DIE EEN KOELMIDDELEN BEVATTEN**

- Het R32-koelmiddel is een koelmiddel van categorie A2L, dat wordt beschouwd als potentieel ontvlambaar.
- Het fluïdum R32 niet afblazen in de atmosfeer. Deze vloeistof is een gefluoreerd broeikasgas, dat valt onder het Protocol van Kyoto, met een potentiële bijdrage aan de globale opwarming (GWP) = 675 voor R32 (zie Europese reglementering EG 517/2014).
- Het apparaat moet worden opgeslagen in een goed verluchte ruimte uit de buurt van bronnen van vlammen.
- Installeer het apparaat buiten. Installeer het apparaat niet binnenshuis of in een afgesloten en niet-geventileerde ruimte buiten.
- Probeer niet op andere wijze dan deze aanbevolen door de fabrikant het ontdooi- of reinigingsproces te versnellen.
- Het apparaat moet worden opgeslagen in een ruimte zonder vonkenbron die constant in werking is (bijv. een gasapparaat of elektrische verwarming in werking).

- Niet doorboren of verbranden.
- Merk op dat het R32-koelmiddel een geur kan verspreiden.
- Om te voldoen aan de relevante milieu- en installatienormen, in het bijzonder aan decreet nr. 2015-1790 en / of de EU-reglementering 517/2014, moet minstens eenmaal per jaar een lekttest worden uitgevoerd op het koelcircuit. Deze bewerking moet worden uitgevoerd door een gecertificeerde specialist in koelsystemen.
- Bewaar de displaycontroller in een droge ruimte of sluit de isolatiekap goed om te voorkomen dat de displaycontroller door vocht wordt beschadigd.

#### **ONDERHOUD: WAARSCHUWINGEN VOOR APPARATEN DIE R32-KOELMIDDELEN BEVATTEN**

- Tijdens de onderhoudsfase van het apparaat, dienen de samenstelling en de staat van de warmtegeleidende vloeistof gecontroleerd te worden en dienen eventuele sporen van koelvloeistof opgespoord te worden.
- Tijdens de jaarlijkse controle dient in overeenstemming met de van kracht zijnde wetgeving de afdichting van het apparaat, de juiste aansluiting van de hoge en lage drukregelaars op het koelcircuit en de onderbreking van het elektrisch circuit in geval van activering gecontroleerd te worden.
- Tijdens de onderhoudsfase dient men te controleren of er geen sporen zijn van corrosie of olievlekken rond de koelcomponenten.
- De buis niet solderen of lassen als er koelmiddel in de machine zit. Laad het gas niet op in een afgesloten ruimte.

#### ***Controle van de zone***

- Bij werkzaamheden aan systemen met ontvlambare koelmiddelen zijn veiligheidscontroles noodzakelijk om het risico op vonkvorming te reduceren.

#### ***Werkprocedure***

- De werkzaamheden moeten worden uitgevoerd met een controleprocedure om het risico op het vrijkomen van ontvlambaar gas of damp bij de werkzaamheden te reduceren.
- Voorafgaand aan welke werkzaamheden ook aan het koelcircuit, dient men het apparaat verplicht uit te schakelen en enkele minuten te wachten alvorens temperatuur- of drukmeters aan te brengen, omdat bepaalde onderdelen, zoals de compressor en de leidingen, temperaturen van meer dan 100°C kunnen bereiken en de hoge drukken ernstige brandwonden kunnen veroorzaken.

#### ***Algemene werkzone***

- Alle onderhoudspersoneel en andere personen die werken in de directe omgeving moeten worden geïnformeerd over de uit te voeren werkzaamheden. Werkzaamheden in besloten ruimtes moet worden vermeden.

#### ***Controle van de aanwezigheid van koelmiddel***

- De zone moet vóór en tijdens de werkzaamheden met behulp een geschikte koelmiddeldetector worden gecontroleerd, zodat de technicus geïnformeerd wordt over de mogelijk toxiciteit en ontvlambaarheid van de lucht. Verifieer dat de gebruikte koelmiddeldetector geschikt is voor het gebruik met de betreffende koelmiddelen, d.w.z. dat deze geen vonken kan veroorzaken, correct geïsoleerd en perfect veilig is.

#### ***Aanwezigheid van een brandblusser***

- Als werkzaamheden bij hoge temperatuur op het koelapparaat of aanliggende onderdelen moeten worden uitgevoerd, moet een geschikte brandblusser zich binnen handbereik bevinden. Plaats een poeder- of

CO2-brandblusser in de buurt van de werkzone.

### ***Afwezigheid van een ontstekingsbron***

- Er mag geen enkele vonkbron worden gebruikt bij werkzaamheden aan een koelsysteem waarbij diens leidingen worden blootgelegd. Alle mogelijke bronnen van vonken, inclusief een sigaret, moeten zich op voldoende afstand bevinden van de installatiezone, reparatie, verwijdering of eliminatie wanneer koelmiddel kan vrijkomen in de omgeving. Voorafgaand aan de werkzaamheden moet de zone rond de apparatuur worden bekeken om te verzekeren dat er geen brandgevaar of gevaar voor vonken aanwezig is. Bordjes met "Niet roken" moeten worden aangebracht.

### ***Ventilatie van de zone***

- U moet zorgen dat de zone voldoende open en verlucht is voordat u toegang heeft tot de installatie. Tijdens het onderhoud van het apparaat moet een correcte verluchting worden aangehouden voor een veilige verspreiding van accidenteel in de lucht vrijgekomen koelmiddel.

### ***Controle van de koelapparatuur***

- De aanbevelingen voor onderhoud en service van de fabrikant moeten altijd worden opgevolgd. Gebruik bij het vervangen van elektrische componenten enkel componenten die van hetzelfde type en van de dezelfde kwaliteit zijn, zoals aanbevolen / goedgekeurd door de fabrikant. Raadpleeg bij twijfel de technische service van de fabrikant voor assistentie.

- De volgende controles moeten worden uitgevoerd op installaties die gebruik maken van ontvlambare koelmiddelen:

**de markeringen op de apparatuur moeten zichtbaar en leesbaar blijven, alle nietleesbare markeringen en signaleringen moeten worden hersteld;**

**de koelmiddelleidingen of -componenten moeten zodanig worden geïnstalleerd dat het onwaarschijnlijk is dat ze worden blootgesteld aan substanties die koelmiddel bevattende componenten kunnen aantasten, behalve indien deze componenten zijn gemaakt van materialen die normaal bestand zijn tegen corrosie of daartegen afdoende zijn beschermd.**

### ***Controle van elektrische componenten***

- De reparatie en het onderhoud van elektrische componenten moet in eerste instantie veiligheidscontroles en inspectieprocedures van de componenten omvatten. Als er een storing optreedt die de veiligheid in gevaar kan brengen, mag het circuit niet onder spanning worden gesteld zolang deze storing niet volledig is verholpen. Als de storing niet onmiddellijk kan worden verholpen, en de werkzaamheden moeten worden voortgezet, moet een geschikte tijdelijke oplossing worden gevonden. De eigenaar van de apparatuur moet hierover worden geïnformeerd zodat alle betrokken personen op de hoogte worden gesteld.

- De reparatie en het onderhoud van elektrische componenten moet in eerste instantie de volgende veiligheidscontroles omvatten:

**de condensatoren moeten worden ontladen: dit moet gebeuren op veilige wijzen zonder vonkvorming te veroorzaken;**

**er mag geen enkele elektrische component of elektrische bedrading blootgesteld worden tijdens het laden, het herstellen of het afdalen van het systeem;**

**de aardverbinding moet continu aanwezig zijn.**

### ***Reparaties van geïsoleerde componenten***

- Bij reparaties aan geïsoleerde componenten moeten alle elektrische voedingen worden ontkoppeld van de apparatuur waarop werkzaamheden worden uitgevoerd, en dit vóór het verwijderen van de isolerende

kappen. Als de apparatuur toch om dwingende reden tijdens de reparaties elektrisch moet worden gevoed, moet een continu werkend lekdetectieapparaat worden aangebracht op het meest kritieke punt om een mogelijk gevaarlijke situatie te signaleren.

- Er moet bijzondere aandacht worden besteed aan de volgende punten om ervoor te zorgen dat bij het werken aan elektrische componenten de behuizing niet wordt gewijzigd wat het beschermingsniveau zou kunnen aantasten. Dit moet het volgende omvatten: beschadigde kabels, een te groot aantal verbindingen, klemmen die niet voldoen aan de oorspronkelijke specificaties, een niet-correcte installatie van de kabelwartels, etc.
- Verzeker u ervan dat het apparaat correct bevestigd is.
- Controleer of de dichtingen of isolatiematerialen niet zijn aangetast zodanig dat ze niet langer het binnendringen van een explosieve atmosfeer in het circuit zouden verhinderen. De reserve-onderdelen moeten voldoen aan de specificaties van de fabrikant.

### ***Reparatie van intrinsiek veilige componenten***

- Indien een permanente elektrische inductie- of capaciteitsbelasting wordt aangebracht, moet worden gecontroleerd of deze niet de toegestane spanning en stroom van de apparatuur overschrijdt tijdens het gebruik.
- Normaal veilige componenten zijn de enige types waarbij het mogelijk is om te werken in de aanwezigheid van een ontvlambare atmosfeer wanneer deze worden gevoed. Het testapparaat moet tot de correcte klasse behoren.
- Vervang componenten alleen door onderdelen die door de fabrikant zijn gespecificeerd. Andere onderdelen kunnen het koelmiddel ontsteken bij een lek.

### ***Bekabeling***

- Controleer of de bedrading geen slijtage, corrosie, overmatige druk, trillingen, schade door scherpe randen of andere nadelige omgevingsinvloeden vertonen. De controle moet ook rekening houden met de effecten van veroudering of continue trillingen veroorzaakt door bronnen zoals compressoren of ventilatoren.

### ***Detectie van brandbaar koelmiddel***

- Potentiële bronnen van vonken mogen nooit worden gebruikt voor het opsporen of detecteren van koelmiddellekken. Een halidelamp (of een andere detector met een open vlam) mag niet worden gebruikt.
- De volgende lekdetectiemethoden worden aanvaardbaar geacht voor alle koelssystemen.
- Elektronische lekdetectoren kunnen worden gebruikt om koelmiddellekken te detecteren, maar bij brandbaar koelmiddel is de gevoeligheid mogelijk niet voldoende of moet de kalibratie opnieuw worden uitgevoerd. (De detectieapparatuur moet worden gekalibreerd op een plaats waar geen koelmiddel aanwezig is). Verzeker u ervan dat de detector geen potentiële vonkbron is en aangepast is aan het gebruikte koelmiddel. De lekdetectieapparatuur moet worden ingesteld op een percentage van het koelmiddel-LFL en moet worden gekalibreerd voor het gebruikte koelmiddel. Het juiste percentage gas (maximaal 25%) moet worden bevestigd.
- Lekdetectievloeistoffen zijn ook geschikt voor het gebruik met de meeste koelmiddelen, het gebruik van chloorhoudende detergent daarentegen moet worden vermeden omdat dit kan reageren met het koelmiddel en de koperen leidingen kan aantasten.
- Als er een vermoeden van een lek is, moeten alle open vlammen worden verwijderd / gedoofd.
- Bij het detecteren van een koelmiddellek en als solderen noodzakelijk is, moet al het koelmiddel uit het systeem worden afgelaten of geïsoleerd (met afsluitkleppen) in een deel van het systeem dat verwijderd is van het lek.

### ***Verwijdering en afvoeren***

• Bij toegang tot het koelmiddelcircuit om reparaties uit te voeren, of om andere redenen, moeten conventionele procedures worden gebruikt. Bij ontvlambare koelmiddelen is het echter essentieel om de aanbevelingen op te volgen omdat rekening moet worden gehouden met de ontvlambaarheid. De volgende procedure moet worden gevolgd:

**verwijder het koelmiddel;**

**laat het circuit af met een inert gas (optioneel voor A2L);**

**afvoeren (optioneel voor A2L);**

**spoelen met een inert gas (optioneel voor A2L);**

**open het circuit door afzagen of lossolderen.**

• De koelmiddelvulling moet worden gerecupereerd in geschikte recuperatiecilinders. Bij apparaten die andere ontvlambare koelmiddelen bevatten dan A2L-koelmiddelen moet het systeem worden gespoeld met stikstofgas zonder zuurstof om de apparatuur geschikt te maken voor brandbare koelmiddelen. Het kan noodzakelijk zijn om dit proces meerdere keren te herhalen. Perslucht of zuurstofgas mogen niet worden gebruikt om koelsystemen te spoelen.

### ***Vulprocedure***

• Controleer dat de vacuümpompuitlaat zich niet in de buurt bevindt van een mogelijke bron van vonken en dat er verluchting is.

• Naast de conventionele vulprocedures moet aan de volgende eisen worden voldaan.

**Verzeker dat er bij het gebruik van een vulsysteem geen verontreiniging mogelijk is tussen verschillende koelmiddelen. De slangen of leidingen moeten zo kort mogelijk zijn om de hoeveelheid koelmiddel die ze bevatten zo beperkt mogelijk te houden.**

**De cilinders moeten in de juiste positie worden gehouden conform de instructies.**

**Zorg ervoor dat het koelsysteem geaard is voordat het vullen met koelmiddel gebeurt.**

**Label het systeem na het vullen (indien dit nog niet zou zijn gedaan).**

**Let er vooral op het koelsysteem niet te overvullen.**

• Vooraleer het systeem opnieuw te vullen, moet een druktest worden uitgevoerd met het juiste spoelgas. Het systeem moet worden gecontroleerd op lekkage na het vullen en voor de indienststelling. Voer een opvolglektest uit voordat de locatie wordt verlaten.

### ***Ontmanteling***

• Vooraleer een ontmantelingsprocedure uit te voeren, moet de technicus goed bekend zijn met de apparatuur en diens kenmerken. Wij bevelen sterk aan om met zorg alle koelmiddel volledig te recupereren. Voorafgaand aan het uitvoeren van deze taak moet een monster van de olie en het koelmiddel worden genomen voor het geval van een hergebruik van het gerecupereerde koelmiddel. Het is noodzakelijk om de aanwezigheid van een stroomvoorziening te controleren vóór het uitvoeren van deze taak.

1. Maak u vertrouwd met de apparatuur en diens werking.

2. Isoleer het systeem elektrisch.

3. Voordat u de procedure start, moet u ervoor zorgen dat:

**er een mechanische behandelingssysteem aanwezig is als de koelmiddelcilinders moeten worden gemanipuleerd;**

**alle persoonlijke beschermingsmiddelen beschikbaar zijn en correct worden gebruikt;**

**het recuperatieproces voortdurend wordt opgevolgd door een bevoegd persoon;**

**de apparatuur en de recuperatiecilinders voldoen aan de relevante normen.**

4. Laat het koelsysteem af, indien mogelijk.

5. Als er geen vacuüm kan worden gecreëerd, breng dan een opvangsysteem aan zodat het koelmiddel kan worden verwijderd vanaf verschillende punten op het systeem.
6. Zorg dat de fles op de weegschaal staat voordat u begint met de recuperatieprocedure.
7. Start de recuperatiemachine en laat deze werken conform de instructies.
8. Overvul de flessen niet (met niet meer dan 80% van het vulvolume van de vloeistof).
9. Overschrijd de maximale werkingsdruk van de cilinder niet, zelfs niet tijdelijk.
10. Wanneer de cilinders correct zijn gevuld en de procedure is voltooid, zorg er dan voor dat de cilinders en apparatuur snel van de locatie worden verwijderd en dat de alternatieve afsluitkleppen op de apparatuur worden gesloten.
11. Het gerecupereerd koelmiddel mag niet in een ander koelsysteem worden gebruikt zonder voorafgaand te zuiveren en te controleren.

## STORINGOPLOSSING

- Soldeerwerkzaamheden dienen uitgevoerd te worden door erkende soldeerspecialisten.
- Voor de vervanging van de leidingen mag uitsluitend gebruik gemaakt worden van koperen buizen overeenkomstig de norm NF EN 12735-1.

- Detectie van lekken, testen onder druk:

**nooit droge zuurstof of lucht gebruiken, gevaar voor brand of ontploffingen, gedehydrateerde stikstof of een mengsel van stikstof en het op het typeplaatje aangegeven koelmiddel gebruiken.**

**de druk van de test aan de lage en hoge druk zijde mag niet hoger zijn dan 42 bar in het geval apparaat is voorzien van de optie manometer.**

- Voor leidingen van het hogedruk-circuit uitgevoerd met een koperen buis van een diameter gelijk aan of meer dan 1"5/8, dient een certificaat §2.1 overeenkomstig de norm NF EN 10204 aangevraagd te worden bij de leverancier en dat aan het technisch installatiedossier toegevoegd dient te worden.
- De technische informatie met betrekking tot de veiligheidseisen van de verschillende toegepaste richtlijnen staan aangegeven op het typeplaatje. Al deze informatie dient geregistreerd te worden in de installatiehandleiding van het toestel die deel uit dient te maken van het technische installatiedossier: model, code, serienummer, max. en min. TS, PS, fabricatiejaar, CE-markering, adres van de fabrikant, koelvloeistof en gewicht, elektrische instellingen, thermodynamische en akoestische prestaties.

## LABELING

- De apparatuur moet worden geëtiketteerd om aan te geven dat deze buiten gebruik is gesteld en dat het koelmiddel is afgelaten.
- Het label moet worden gedateerd en ondertekend.
- Let er bij apparaten die een ontvlambaar koelmiddel bevatten op dat etiketten op het apparaat zijn aangebracht die aangeven dat het ontvlambaar koelmiddel bevat.

## RECUPERATIE

- Tijdens het aflaten van koelmiddel voor onderhoud of buitenbedrijfstelling wordt aanbevolen om de goede praktijken op te volgen voor het veilig en volledig aflaten van koelmiddel.
- Gebruik bij het overbrengen van koelmiddel naar de cilinder een recuperatiecilinder geschikt voor het koelmiddel. Verzekert u ervan dat u over het juiste aantal cilinders beschikt om de vloeistof volledig te recupereren. Alle gebruikte cilinders moeten ontworpen zijn voor het recupereren van koelmiddel en moeten een etiket dragen voor het betreffende koelmiddel. De cilinders moeten uitgerust zijn met een vacuümklep en beschikken over afsluitkleppen die goed werken. De lege recuperatiecilinders worden leeggezogen en, indien mogelijk, gekoeld vóór het recuperatieproces.



- De recuperatie-apparatuur moet in goede werkingsstaat verkeren, de gebruiksaanwijzing van de apparatuur moet binnen handbereik zijn en de apparatuur moet geschikt zijn voor het koelmiddel, indien van toepassing, evenals voor ontvlambaar koelmiddel. Daarnaast moet een set gekalibreerde weegschalen beschikbaar zijn. Deze moeten in goede werkingsstaat verkeren. De slangen moeten volledig zijn, mogen geen lekken of losse verbindingen hebben, en moeten in goede staat zijn. Controleer voordat u de recuperatiemachine gebruikt of deze in goede staat verkeert, en goed is onderhouden en of de bijbehorende elektrische componenten dicht zijn om te voorkomen dat er brand ontstaat bij het vrijkomen van koelmiddel. Raadpleeg bij twijfel de fabrikant.
- Het gerecupereerde koelmiddel moet worden teruggestuurd naar de koelmiddelleverancier in een recuperatiecilinder, met een afvaloverdrachtsbrief. Meng geen verschillende koelmiddelen in de recuperatiesystemen, en vooral niet in de cilinders.
- Na het demonteren van de compressor of het aflaten van de compressorolie, controleren of het koelmiddel volledig is verwijderd om te vermijden dat het zich met het smeermiddel zou mengen. Het aflatproces moet worden uitgevoerd voordat de compressor naar de leverancier wordt terug gestuurd. Enkel de elektrische verwarming van het compressorlichaam kan worden gebruikt om dit proces te versnellen. Het aflaten van de vloeistoffen in een systeem moet op volledig veilige wijze gebeuren.



#### **RECYCLING**

Dit symbool wordt opgelegd door de Europese AEEA-richtlijn 2012/19/EU (richtlijn betreffende afgedankte elektrische en elektronische apparatuur) en betekent dat uw apparaat niet met het huisvuil mag worden weggegooid. Dit moet selectief worden verwerkt voor hergebruik, recyclage of herstelling. Als het apparaat mogelijk milieugevaarlijke stoffen bevat, dan moeten deze verwijderd of geneutraliseerd

# VSN INVERTER -5°C

## Gebruikers- en servicehandleiding

### INDEX

1. Specificaties
2. Dimensie
3. Installatie en Aansluiting
4. Accessoires
5. Elektrische Bedrading
6. Display Controller Werking
7. Problemen Oplossen
8. Geëxplodeerd Diagram
9. Onderhoud

Dank u voor het gebruiken van onze zwembad warmtepomp voor de verwarming van uw zwembad, het zal uw zwembadwater verwarmen en het op een constante temperatuur houden wanneer de omgevingstemperatuur -5 tot 43°C.



**LET OP: Deze gebruiksaanwijzing bevat alle benodigde informatie voor het gebruik en de installatie van uw warmtepomp.**

De installateur moet de gebruiksaanwijzing lezen en de instructies zorgvuldig volgen bij plaatsing en onderhoud.

De installateur is verantwoordelijk voor de installatie van het product en moet alle instructies opvolgen van de fabrikant en de regels in toepassing. Verkeerde installatie niet volgens de gebruiksaanwijzing heeft uitsluiting van de gehele garantie tot gevolg.

De fabrikant verwerpt elke verantwoordelijkheid voor de schade veroorzaakt door de mensen, objecten en of de fouten wegens de installatie die niet de aanwijzing van de gebruiksaanwijzing volgen. Elk gebruik zonder bevestiging bij het begin van de fabricatie zal beschouwd worden als gevaarlijk.

# 1. Specificaties

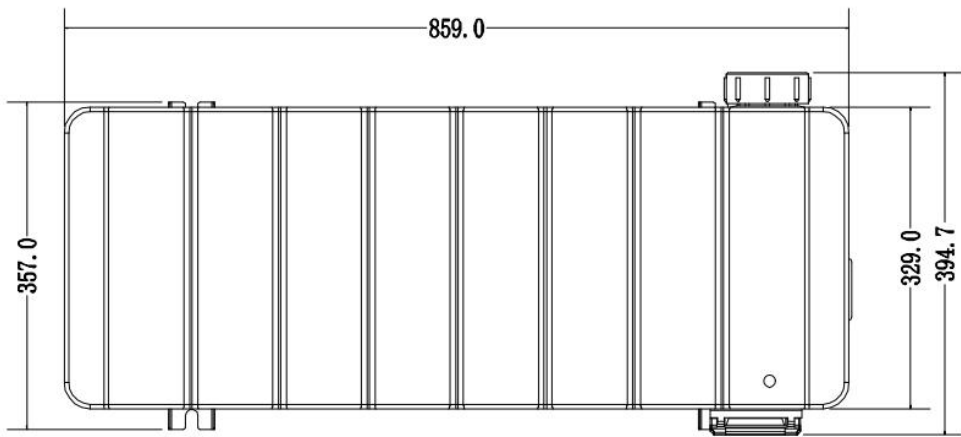
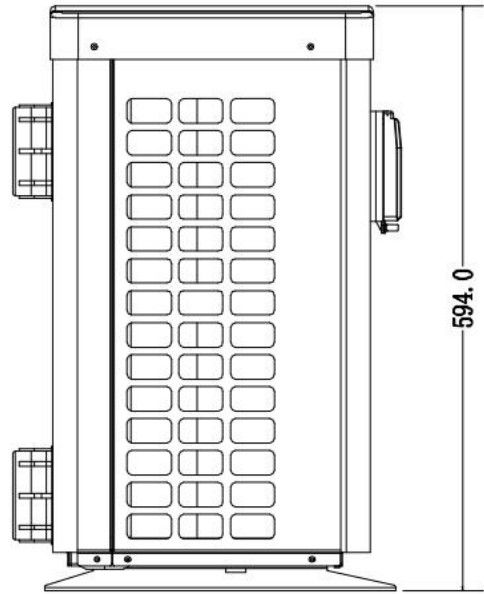
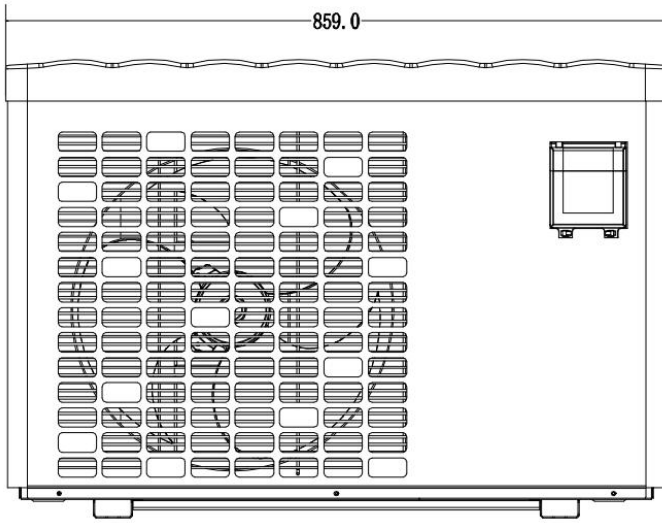
## 1.1 Technische gegevens

MODEL		74152	74153	74154	74155	74156
CODE		VSN-10	VSN-12	VSN-15	VSN-17	VSN-21
<b>* Prestaties bij lucht 28 °C, water 28 °C, Humedad 80%</b>						
Verwarmingscapaciteit	kW	10-3.5	12-4.8	15-5	17-5.3	21-4.7
Energieverbruik	kW	1.61-0.43	1.96-0.6	2.5-0.63	2.85-0.66	3.39-0.59
COP		8.5-6.2	8.5-6.1	8.5-6	8.5-6	8.5-6.2
<b>* Prestaties bij lucht 15 °C, water 26 °C, Humedad 70%</b>						
Verwarmingscapaciteit	kW	7-2.5	8.5-3.5	10-3.6	12-3.8	15-3.9
Energieverbruik	kW	1.65-0.43	1.98-0.6	2.38-0.62	2.8-0.66	3.5-0.67
COP		5.8-4.2	5.8-4.3	5.8-4.2	5.8-4.3	5.8-4.3
<b>* Algemene informatie</b>						
Compressor type		Rottierend				
Stroom spanning	V	220~240V / 50Hz or 60Hz /1PH				
Gebruikte ampère's	A	7.20	8.70	11.00	11.90	15.00
mini zekering	A	11.00	13.00	17.00	18.00	23.00
Nominale waterstroom	m <sup>3</sup> /h	2.80	3.70	4.00	4.60	5.00
Maximum drukverlies	Kpa	12	14	15	15	18
Warmtewisselaar		Twisted Titanium exchanger in PVC				
Wateraansluiting	mm	50				
No. of Fan		1				
Luchtstroom		Horizontal				
Geluid niveau (10m)	dB(A)	28-35	29-37	30-39	30-39	32-41
Geluid niveau (1m)	dB(A)	45-52	46-54	47-56	47-56	49-58
Hoeveelheid koelmiddel	g	650	750	950	1100	1500
CO2-equivalent	Tonne	0.44	0.51	0.64	0.74	1.01
<b>* Dimension/ Weight</b>						
Netto gewicht	kg	56.00	68.00	73.00	78.00	98.00
Bruto gewicht	kg	68.00	73.00	78.00	83.00	113.00
Netto afmeting	mm	859*394.7*594	987*418.7*693.5			1074*462.6*894
Verpakkingsdimensie	mm	890*425*630	1015*445*715			1105*490*920

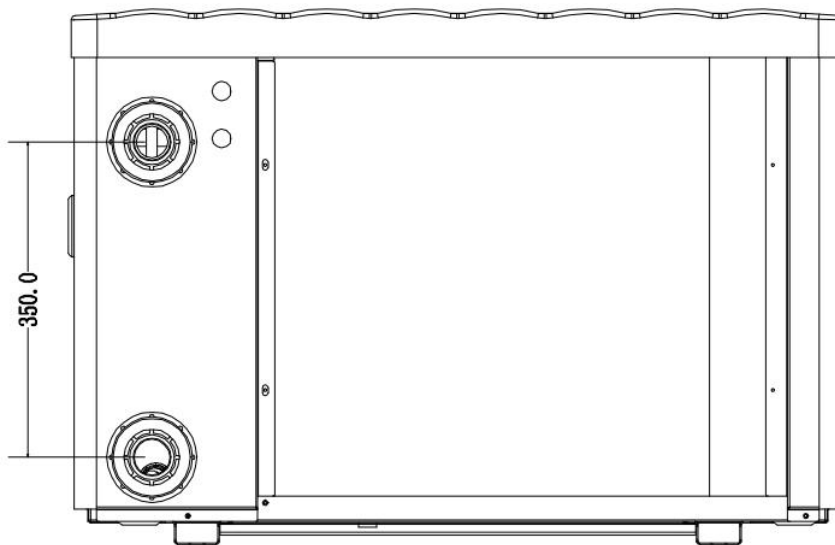
\*Bovenstaande gegevens zijn onderhevig aan modificaties zonder opgave.

**2. Dimensie** unit:mm

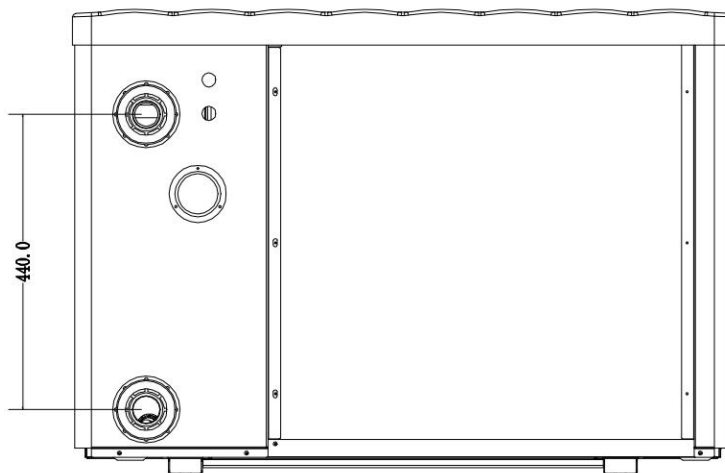
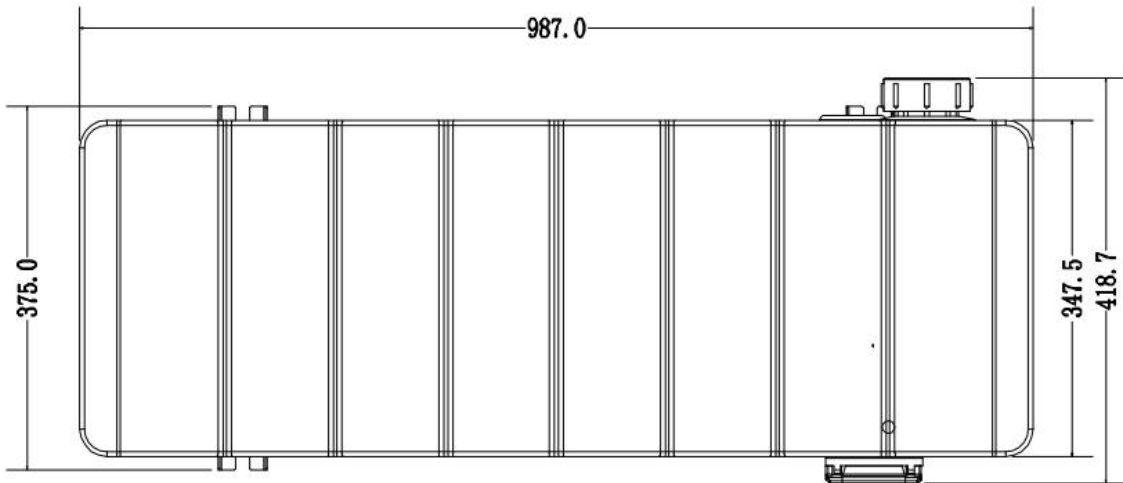
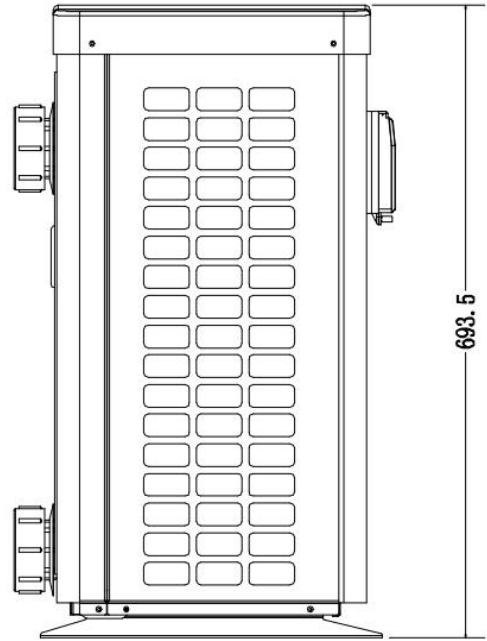
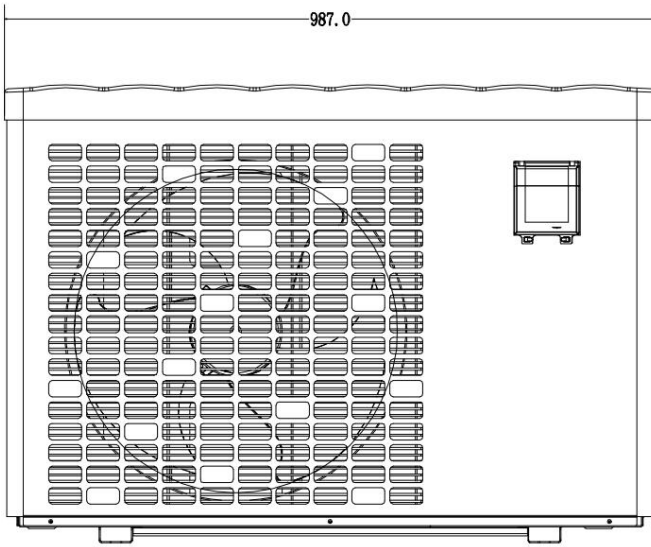
Model:VSN-10



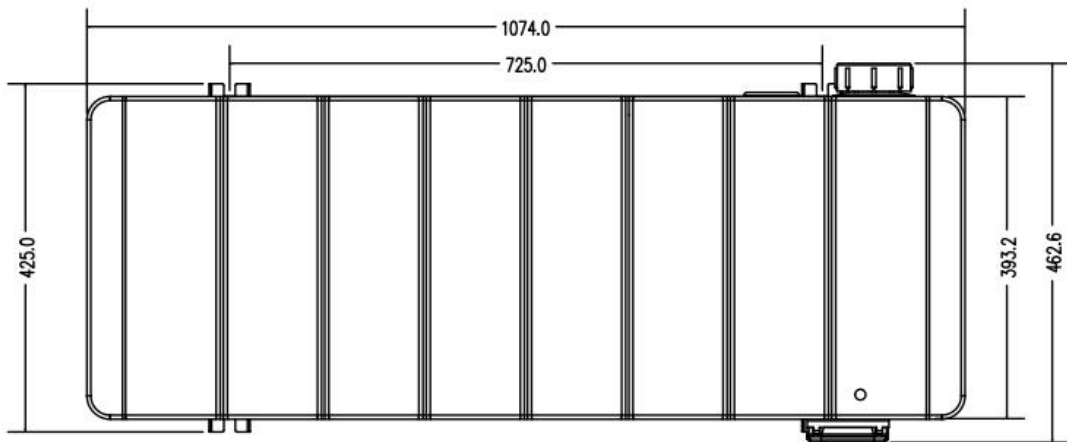
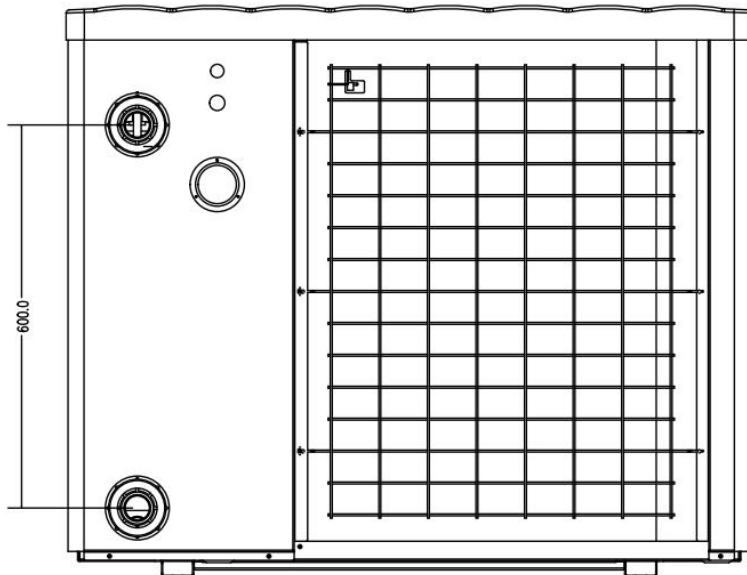
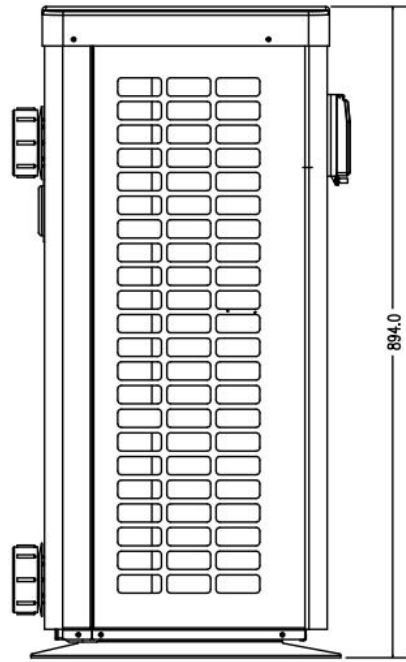
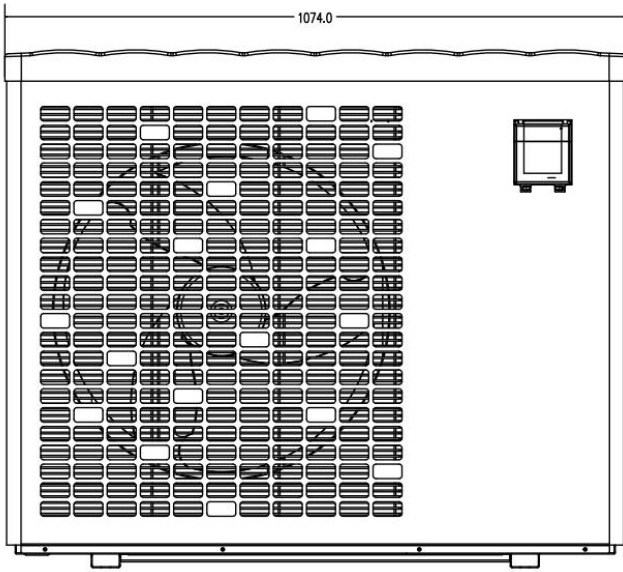
2.



Model: VSN-12 & VSN-15 & VSN-17



Model: VSN-21



## 3. Installatie en aansluiting

### 3.1 Opmerkingen

De fabriek levert alleen de warmtepomp. Alle andere componenten, inclusief een bypass wanneer nodig, moeten geleverd worden door de gebruiker of de installateur.

#### Attentie:

Volg alstublieft de volgende regels wanneer u de warmtepomp installeert:

1. Elke toevoeging van chemicaliën moet plaatsvinden in de buizen gelokaliseerd na de warmtepomp.
2. Installeer een bypass als de afstand van de water toevoer van de zwembadpomp meer dan 20% groter is dan de toegestane toevoer door de warmtewisselaar of de warmtepomp.
3. Plaats de warmtepomp altijd op een vaste ondergrond en gebruik de bijgevoegde demping rubbers om vibratie en geluid te vermijden.
4. Houdt de hele warmtepomp altijd recht . Als het apparaat in een diagonale positie was gehouden, wacht tenminste 24 uren met het starten van de warmtepomp.

### 3.2 Warmtepomp plaatsing

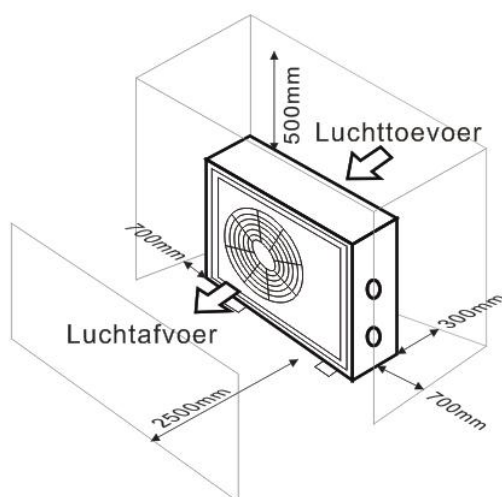
Het apparaat zal goed werken in elke gewenste locatie zolang de volgende drie onderdelen aanwezig zijn:

- 1. Frisse lucht – 2. Elektriciteit – 3. Zwembadfilters**

Het apparaat mag worden geïnstalleerd in virtueel elke **buiten** locatie zolang als de gespecificeerde minimumafstanden met andere objecten wordt aangehouden (zie tekening hieronder). Raadpleeg alstublieft uw installateur voor installatie met een zwembad binnenshuis. Installatie in een locatie met veel wind is helemaal geen probleem, wel in de situatie met een gasverwarming (inclusief waakvlam problemen).

**ATTENTIE:** Installeer het apparaat nooit in een afgesloten ruimte met een gelimiteerde luchthoeveelheid in waarde lucht uitgestoten door het apparaat weer hergebruikt wordt, of nabij bosschage dat de luchtinlaat kan blokkeren. Zulke locaties verhinderen de continue levering van frisse lucht, wat resulteert in een gereduceerde efficiëncie en mogelijk voldoende warmte afgifte tegengaat.

Zie de tekening hieronder voor minimum afstanden.



### 3.3 Afstand van uw zwembad

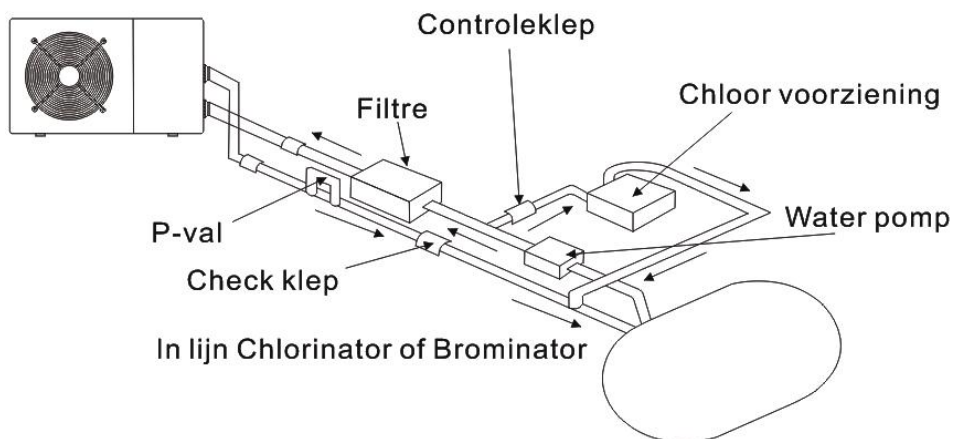
De warmtepomp wordt normaal geïnstalleerd binnen een bereik van 7.5 meter van het zwembad. Hoe groter de afstand van het zwembad, hoe groter het warmteverlies in de buizen. Als de buizen meestal ondergronds zijn, is het warmteverlies laag op afstanden tot 30 m (15 m van en naar de pomp; 30 m in totaal) tenzij de grond na het is of het grondwaterpeil hoog is. Een ruwe schatting van het warmteverlies per 30 m 0.6 kWh (2,000 BTU) voor elke 5 °C

verschil tussen de watertemperatuur in het zwembad en de temperatuur van de grond die de muis omringd. Dit verhoogt de werktijd met 3% tot 5%.

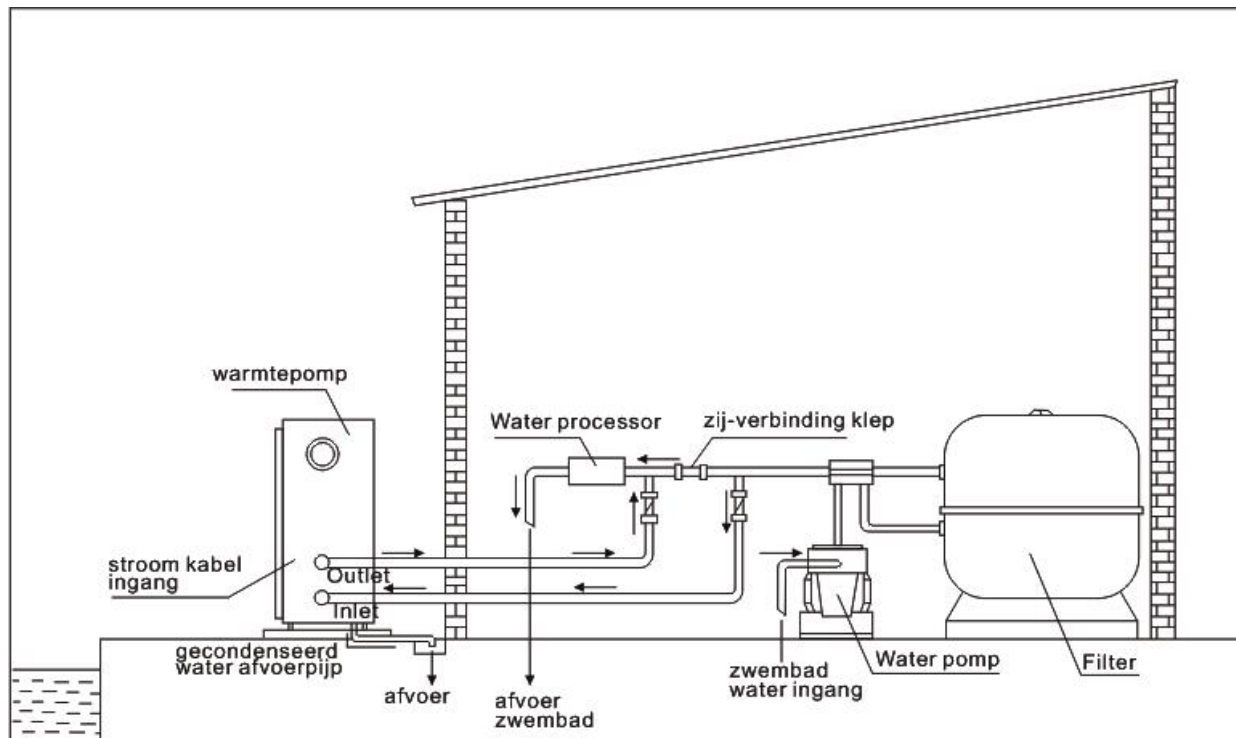
### 3.4 Controle klep installatie

Opmerking: als een automatische dosering apparaat voor chloor en zuur (pH) gebruikt wordt, is het belangrijk om de warmtepomp te beschermen tegen excessief hoge chemische concentraties die de warmtewisselaar kunnen laten corroderen. Om deze reden, moeten apparaten van deze soort altijd bevestigd worden aan de buizen **na** de warmtepomp, en het wordt aanbevolen om een controleklep te installeren om terugvloeien van het water te voorkomen in het geval van afwezigheid van water circulatie.

Schade aan de warmtepomp veroorzaakt door nalatigheid van deze instructie is niet gedekt door de garantie.



### 3.5 Typische opstelling

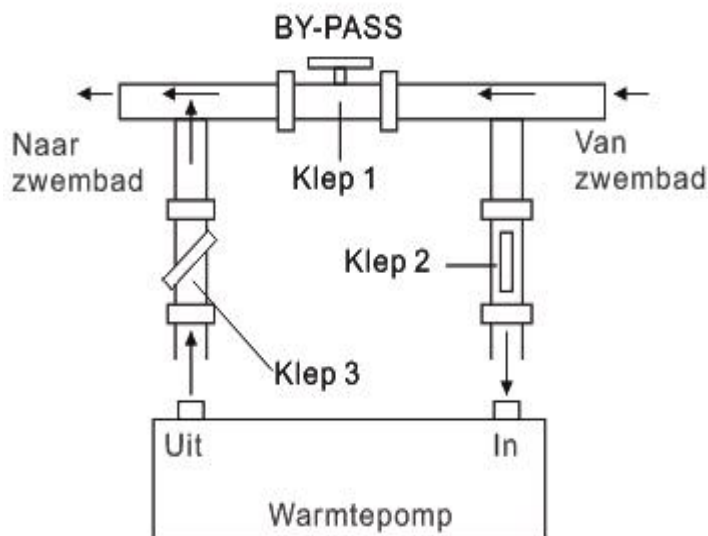


Opmerking: Deze opstelling is alleen een illustratief voorbeeld.



### 3.6 Instellen van bypass

Optimale werking van de warmtepomp gebeurt wanneer de koel gasdruk  $22 \pm 2$  bar is.



Neem onderstaande stappen om de by-pass aan te passen:

1. Valve 1 wijd open. Klep 2 en klep 3 gesloten.
2. Open de klep 2 en klep 3 met de helft langzaam en sluit vervolgens de klep 1 langzaam om de waterstroom naar klep 2 en klep 3 te verhogen.
3. Als het 'ON' of 'EE3' op het display verschijnt, betekent dit dat de waterstroom in de warmtepomp niet genoeg is, dan moet u de kleppen aanpassen om de waterstroom door de warmtepomp te verhogen.

Hoe u de optimale waterstroom krijgt:

Zet de warmtepomp onder de verwarmingsfunctie aan, sluit eerst de bypass en open het langzaam om de warmtepomp te starten (de machine kan niet starten als de waterstroom onvoldoende is).

Blijf doorgaan met de bypass, om de watertemperatuur in te voeren. & Outlet water temp., Het zal optimaal zijn als het verschil ongeveer 2 graden is.

### 3.7 Elektrische verbinding

**Opmerking:** Alhoewel de warmtepomp elektrisch geïsoleerd is van de rest van het zwembadsysteem, voorkomt dat alleen de doorvoer van elektrische stroom naar of van het water in het zwembad. Aarding is nog steeds nodig voor bescherming tegen kortsluiting in het apparaat. Zorg altijd voor een goede aarding verbinding.

Waarschuwing: Voordat u werkzaamheden aan de binnenkant van het apparaat uitvoert, moet u de elektriciteitstoevoer van het apparaat afsluiten, aangezien er een risico op elektrische schokken bestaat, wat materiële schade, ernstig letsel of zelfs de dood kan veroorzaken.

- **Onjuist aangedraaide klemmen kunnen ertoe leiden dat de klemmenkast oververhit raakt, waardoor de garantie vervalt.**
- **Alleen een gekwalificeerde en ervaren technicus is bevoegd om bekabelingswerkzaamheden in het apparaat uit te voeren of om het netsnoer te vervangen.**

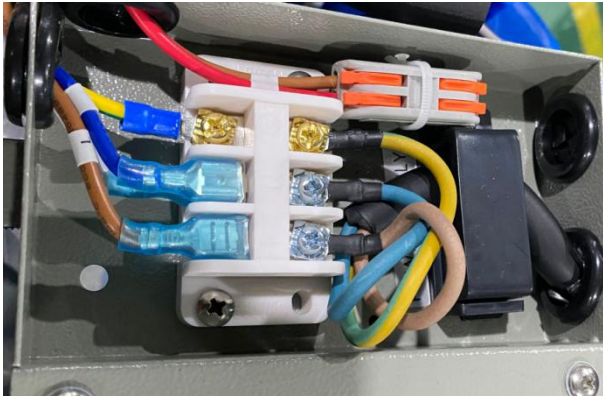
Voor het aansluiten van het apparaat, verifiëer dat het stroomvoltage overeenkomt met het werk voltage van de warmtepomp.

Het wordt aanbevolen om de warmtepomp te verbinden met een circuit met een eigen zekering of circuit onderbreker (langzaam type; graad D) en om goede bedrading te gebruiken .

Verbindt de elektrische draden met het terminalblok gemarkeerd ' POWER SUPPLY '.

Een tweede terminalblok gemarkeerd 'WATER PUMP ' is gelokaliseerd naast de eerste. De filterpompschakelaar kan hier op het tweede klemmenblok worden aangesloten. Hierdoor kan de werking van de filterpomp worden geregeld door de warmtepomp of door het extra droge contact.


Opmerking: In het geval van 3-fase modellen, kan verwisseling van twee fases veroorzaken dat de elektrische motoren in de tegengestelde richting draaien, wat tot schade kan leiden. Om deze reden, heeft het apparaat een ingebouwde bescherming die het circuit verbreekt als de verbinding niet correct is. Als de rode LED boven dit veiligheidsapparaat oplicht, **moet u de verbindingen van twee van de fasedraden verwisselen.**



### 3.8 Initiële werking

**Opmerking:** Om het water in het zwembad (of hete kuip) te verwarmen, moet de filterpomp draaien om ervoor te zorgen dat het water circuleert door de warmtepomp. De warmtepomp zal niet opstarten als het water niet circuleert.

Nadat alle verbindingen gemaakt zijn en gecontroleerd, voer dan de volgende procedure uit:

1. Zet de filterpomp aan. Controleer op lekkage en verifieer dat het water stroomt van en naar het zwembad.
2. Sluit de stroom aan de waterpomp aan en druk op de aan/uit knop  op het elektronische controlepaneel. Het apparaat zou opstarten nadat de tijdvertraging voorbij is (zie onder).
3. Na een paar minuten, controleer of de lucht die uit het apparaat komt koeler is.
4. Wanneer de filterpomp uitgezet wordt, moet het apparaat ook automatisch afslaan, wanneer niet, stel dan de doorvoer schakelaar bij.

Afhankelijk van de initiële temperatuur van het water in het zwembad en de luchttemperatuur, kan het verscheidene dagen duren om het water te verwarmen tot de gewenste temperatuur. Een goede zwembad afdekking kan de benodigde lengte van tijd dramatisch inkorten.

#### **Water doorvoer schakelaar:**

Het is uitgerust met een doorvoer schakelaar om het HP apparaat ervoor te beschermen dat het draait met een voldoende water doorvoer snelheid. Het zal aangaan wanneer de zwembadpomp loopt en laat het stoppen wanneer de pomp stopt.

**Tijdvertraging** - De warmtepomp heeft een ingebouwde 3-minuten opstart vertraging om het circuit te beschermen en excessief contact verval te voorkomen. Het apparaat zal automatisch herstarten nadat deze tijdvertraging afloopt. Zelfs een korte stroomonderbreking zal deze tijdvertraging starten en voorkomen dat het apparaat onmiddellijk herstart. Meerdere stroomonderbrekingen tijdens deze vertraging periode hebben geen effect op de 3-minuten periode van de vertraging.

### 3.9 Condensatie

De lucht aangetrokken door de warmtepomp wordt sterk gekoeld door de werking van de warmtepomp om het water van het zwembad te verwarmen, wat condensatie kan veroorzaken op de bladen van de verdamper. De hoeveelheid condensatie kan zoveel zijn als verscheidene liters per uur bij hoge relatieve vochtigheid. Dit is soms foutief beschouwd als een water lekkage.

### 3.10 Gebruiksmodi voor optimaal gebruik

-POWERFUL: Deze modus wordt gebruikt om bij aanvang van het seizoen het zwembadwater op temperatuur te brengen.

-SMART: De warmtepomp heeft zijn primaire taak volbracht, in deze modus is de warmtepomp in staat om het zwembad water op een energie efficiënte manier op peil te houden. Door automatische aanpassing van draai snelheid van compressor en ventilator levert de warmtepomp een beter rendement.

-SILENT: In de zomermaanden, wanneer de verwarming capaciteit minimaal nodig is, gaat de warmtepomp in deze modus nog beter renderen. Extra voordeel, wanneer de warmtepomp moet bij verwarmen doet deze dit met minimale geluid belasting.

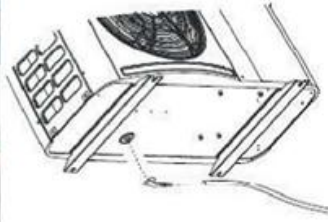
## 4. Accessoires

### 4.1 Accessoire lijst

		
Anti-vibratie basis, 4 stuks	Aftap buis, 2 stuks	Watervaste kist, 1 stuk
		
Winterhoes, 1 stuk	Water drainagebuizen, 2 stuks	10M Signaal draad, 1 stuk

### 4.2 Accessoires installatie

	<p><b>Anti-vibratie rubbers</b></p> <ol style="list-style-type: none"><li>1. Neem de 4 anti-vibratie rubbers eruit</li><li>2. Plaats ze een voor een onder de bodem van de machine zoals op het plaatje.</li></ol>
---	--



#### **Aftap buis**

1. Installeer de aftap buis onder het bodempaneel
2. Verbindt het met een water buis om het water af te tappen.

Opmerking: Til de warmtepomp op om de buis te installeren. Til de warmtepomp nooit te ver op, het kan de compressor beschadigen.



#### **Water invoer & uitvoer verbinding**

1. Gebruik de buis tape om de water invoer & uitvoer verbinding op de warmtepomp te verbinden
2. Installeer de twee verbindingen zoals op het plaatje getoond
3. Schroef ze op de water & uitvoer verbinding



#### **Kabel bedrading**

1. Verbind de stroomverbinding draad door het witte gat zoals het plaatje laat zien.
2. Bevestig de andere zijde op verbindingen in de elektrische doos.



#### **Waterpomp bedrading**

1. Verbind de waterpomp draad door het witte gemarkeerde gat
2. Bevestig de andere zijde op de verbindingen in de elektrische doos.

### 4.3 Connection to the filtration pump

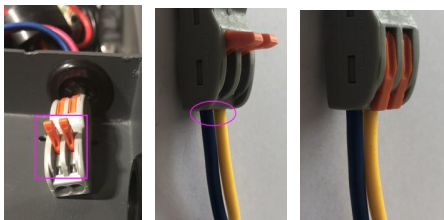
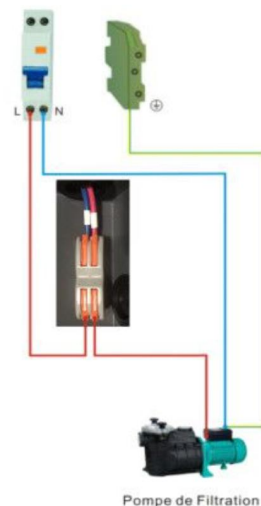


Foto 1

Foto 2

Foto 3

- Open de knop naar boven zoals (Foto 1)
- Bevestig de droge contactbedrading door de twee gaten zoals (Foto 2 & Foto 4)
- Druk op de knop en draai de bedrading vast zoals (Foto 3)

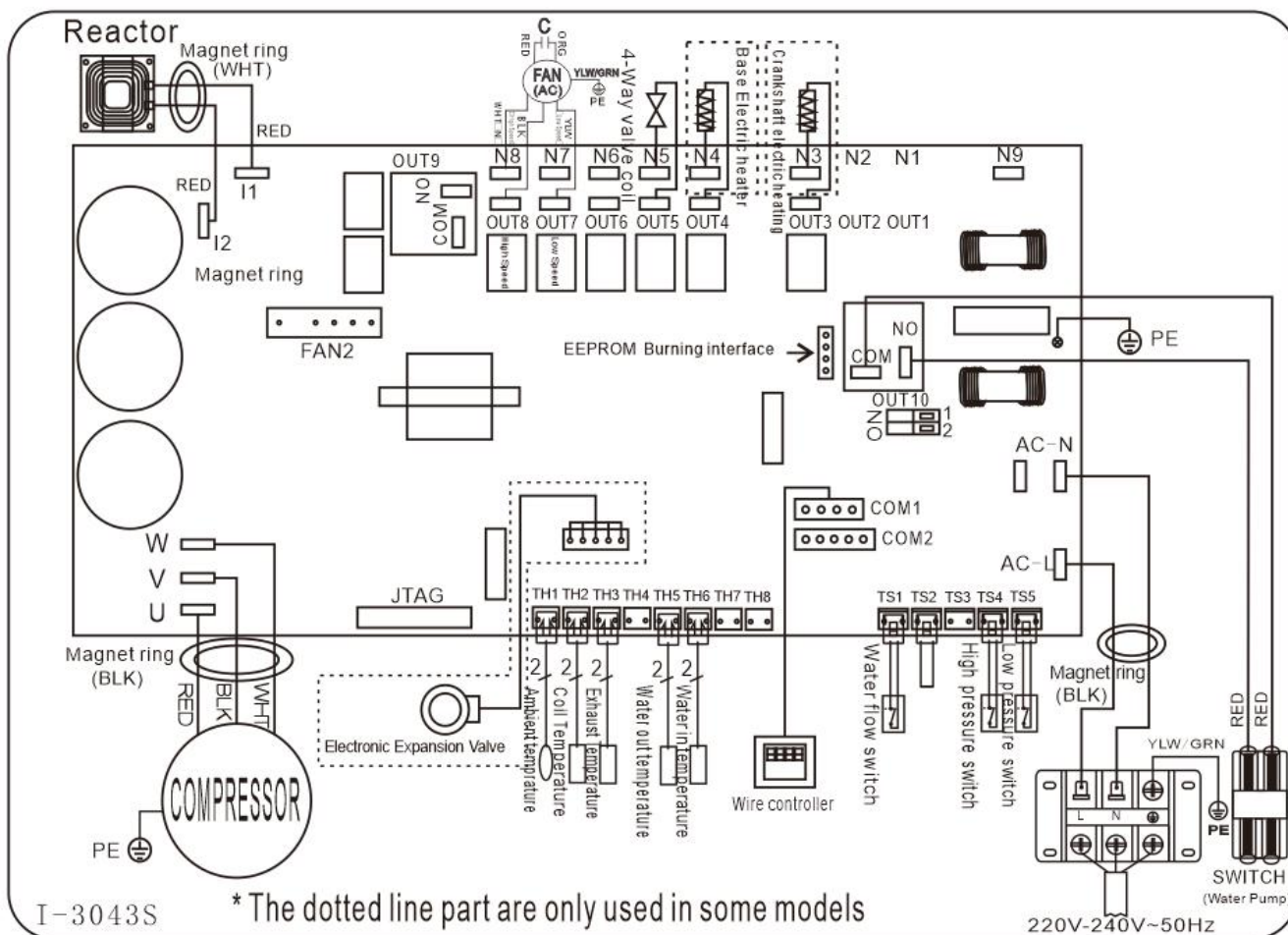


Pompe de Filtration

(Foto 4)

## 5. Elektrische bedrading

### 5.1 ZWEMBAD WARMTEPOMP BEDRADING SCHEMA



#### OPMERKING:

(1) Bovenstaande elektrisch bedrading schema is alleen ter referentie, onderwerp alstublieft de machine volgens



het bedradingschema.

(2) De zwembad warmtepomp moet ook verbonden worden met een aarding draad, alhoewel de warmtewisselaar van het apparaat elektrisch geïsoleerd is van de rest van het apparaat. Het aarden van het apparaat is nog steeds nodig om u te beschermen tegen kortsluitingen in het apparaat. Verbinding is ook nodig.

(3) Er wordt aanbevolen dat uw zwembadwater pomp en warmtepomp onafhankelijk worden bedraad.

Bedrading uw zwembad pomp in de warmtepomp wordt uw filtratie wordt uitgeschakeld zodra het zwembadwater heeft temperatuur bereikt.

Alleen bekabelen van het zwembad pomp door de warmtepomp als je een pool pomp, voor alleen verwarmen die onafhankelijk is om uw zwembad filtersysteem.

**Afsluiting:** Een afsluiting betekent (circuit onderbreken, gezeekerde of niet-gezeekerde schakelaar) moet geplaatst worden binnen het zicht en of direct bereikbaar vanaf het apparaat. Dit is normaal gebruik op commerciële en residentiële warmtepompen. Het voorkomt het op afstand aan zetten van het apparaat en staat het afsluiten van de stroom van het apparaat toe terwijl het apparaat wordt nagekeken.

## 5.5 Installatie van de schermbediening

foto(1)



foto(2)



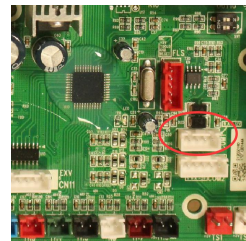
foto(3)



foto(4)



foto(5)



- De kant met stekker verbindt met het bedieningspaneel (foto1)
- De andere kant van de signaaldraad. (foto2)
- Open het bedradingspaneel en steek de zijkant zonder stekker door de schakelkast. (foto 3,4)
- Plaats de bedrading in de uitgezette positie (code: COM 1 of COM-L) op de printplaat. (foto5)

## 6. Gebruik en werking


### 6.1 Functies van het LED bedieningspaneel




Wanneer de warmtepomp op het vermogen wordt aangesloten, geeft het LED-display gedurende 3 seconden een code weer die het warmtepompmodel aangeeft.


## 6.2 De toetsen en hun activiteiten

### 6.2.1 -knop

Druk op  om de warmtepomp start, toont het LED-display van de gewenste temperatuur van het water gedurende 5 seconden, toont vervolgens de inlaat temperatuur van het water en van de werking mode.

Druk op  om de warmtepomp te stoppen en te laten zien "OFF"

Opmerking: Tijdens de parameter controle en instelling, druk op  de snel-exit en sla de huidige instelling.



Druk nogmaals op  om in / uitschakelen van de machine.

### 6.2.2 -knop

- a) Het zal onder functie zijn met een andere sleutel.
- b) Schakelt de verwarmingsmodus en de automatische modus in

### 6.2.3 en -toets



Klok / unlock het display:

Houd  en  gedurende 5 seconden te vergrendelen / ontgrendelen het scherm.

temperatuur water instelling:

Druk op  of  om de temperatuur van het water rechtstreeks in te stellen.

Parameter controle:

Druk op  eerst, druk vervolgens op  om de parameter gebruiker controleren van d0 volgens d11

Code	Staat	strekking	Opmerking
d0	IPM vormtemperatuur	0-120°C	Real testen waarde
d1	Inlet water temp.	-9°C ~ 99°C	Real testen waarde
d2	Uitlaat water temp.	-9°C ~ 99°C	Real testen waarde
d3	Ambient temp.	-30°C ~ 70°C	Real testen waarde
d4	Frequency limitation code	0,1,2,4,8,16	Real testing value
d5	Piping temp.	-30°C ~ 70°C	Real testen waarde
d6	uitlaatgastemperatuur	0°C ~ 5°C (125°C)	Real testen waarde
d7	Stap van EEV	0~99	N*5
d8	Compressor loopt frequentie	0~99Hz	Real testen waarde
d9	compressor huidige	0~30A	Real testen waarde
d10	Huidige ventilatorsnelheid	0-1200 (rpm)	Real testen waarde
d11	Error code voor de laatste keer	Alle foutcode	

Opmerking: d4: frequentiebeperkingscode,

0: geen frequentielimiet;



1: Coilpijp temperatuurgrens;

2: Frequentiebeperking voor oververhitting of oververhitting;

4: Drive Huidige frequentielimiet;



8: Frequentielimiet aandrijfspanning;

16: Frequentiebeperking voor hoge temperaturen

Druk op  eerst, druk vervolgens op  om te controleren / aanpassen van de parameter gebruiker van P1 tot P7

Code	Naam	strekking	Standaard	Opmerking
P0	Verplichte ontthooing	0-1	0	0: standaard normale werking 1: verplichte ontthooing.
P1	Werkmodus	0-1	1	1 Verwarming mode, 0 koelbedrijf
P2	Timer on / off	0-1	0	1 Timer aan / uit onder functie, 0 Timer on / off is van de functie (De instelling van de P5 en P6 zal niet werken)
P3	Waterpomp	0-1	0	1 Altijd lopen, 0 Afhankelijk van het verloop van de compressor
P4	Huidige tijd	HH:MM	0:00	<u>0-23:0-59</u>
P5	Wekker aan	HH:MM	0:00	<u>0-23:0-59</u>
P6	timer uit	HH:MM	0:00	<u>0-23:0-59</u>
P7	Inlet water temp. correctie	-9~9	0	Standaardinstelling: 0

## 6.2.4 Systeem reset-functie

Druk op  en  in 10s, zal het systeem resetten en weer te geven "0000" op de controller.



Symbool verhitten zal het licht wanneer deze in werking is.

Bij het ontthooien, zal het licht knipperen.



Symbool van het koelen, zal het licht op wanneer het in werking is.



Symbool van de automatische stop, zal het licht op wanneer het in werking is.





Symbool van de automatische start, zal het licht op wanneer het in werking is.



Op deze knop drukt, zal de lichtflits, zal de warmtepomp werken in 'Full output' alleen.



Terwijl u de Smart kiest, zal de warmtepomp net opereren in 'Medium output' en 'Full output'

Toen in 'Medium output', zal het licht van de Smart knipperen.

Toen in 'Full output', de lamp van de Smart is verlichting, zal de lamp van de krachtige flitser zijn.




Terwijl u de Silent kiest, zal de warmtepomp net opereren in 'Medium output' en 'Small output'


Toen in 'Small output', zal het licht van Silent knipperen.

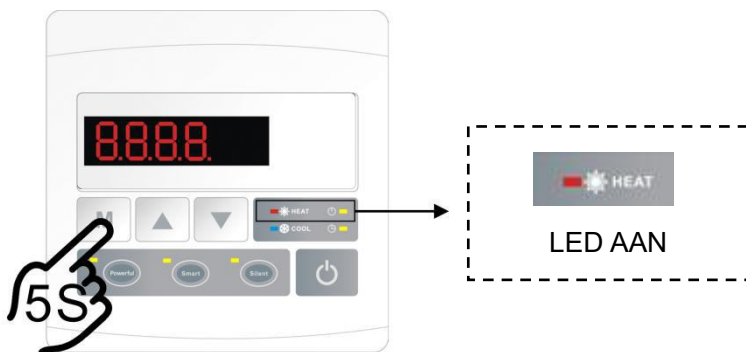
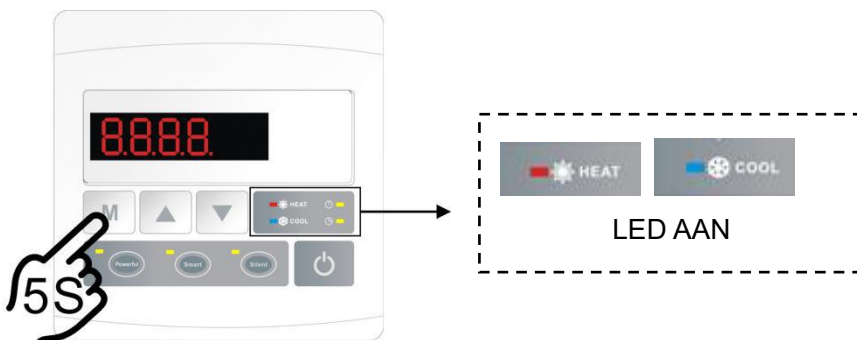
Toen in 'Medium output', de lamp van de Silent is verlichting, zal de lamp van de Smart flash.

### 6.2.12 Automatische modus

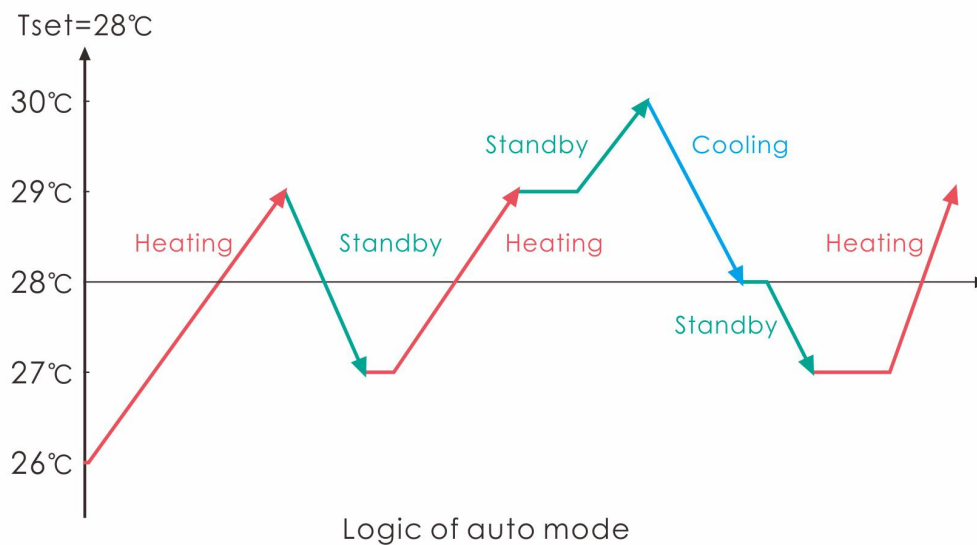
Er zijn 3 modellen voor het apparaat, alleen verwarming, automatische modus (verwarmings- en koelingschakelaar), alleen koeling.

U kunt de verwarmingsmodus en de automatische modus inschakelen door gedurende 5 seconden op  te drukken, ongeacht of het apparaat aan of uit staat.

Druk 5 seconden lang op  om de automatische modus af te sluiten en over te schakelen naar de verwarmingsmodus (standaard: Slimme modus)



## Bedieningslogica van de automatische modus



### 6.3 Logica voor verwarming

Werk status		Werkmodus	Water op temperatuur-T1	Bijvoorbeeld water op temperatuur-T1	Werkniveau van warmtepomp
1	Opstarten van warmtepomp	Wanneer u de "Smart-werkmodus" selecteert	$T1 < Tset - 1$	$T1 < 27^{\circ}\text{C}$	Krachtige modus-frequentie F9
2			$Tset - 1 \cong T1 < Tset$	$27^{\circ}\text{C} \cong T1 < 28^{\circ}\text{C}$	Frequentie: F9 -F8-F7,...,-F2
3			$Tset \cong T1 < Tset + 1$	$28^{\circ}\text{C} \cong T1 < 29^{\circ}\text{C}$	Stille modus-Frequentie F2
4			$T1 \cong Tset + 1$	$T1 \cong 29^{\circ}\text{C}$	HP zal Stand-by zijn, stoppen met werken totdat het water op temperatuur zakt tot minder dan $28^{\circ}\text{C}$ .
5		Wanneer u de "Stille werkmodus" selecteert.	$T1 < Tset$	$T1 < 28^{\circ}\text{C}$	Smart-modus -Frequentie F5.
6			$Tset \cong T1 < Tset + 1$	$28^{\circ}\text{C} \cong T1 < 29^{\circ}\text{C}$	Stille modus-Frequentie F2/F1.
7			$T1 \cong Tset + 1$	$T1 \cong 29^{\circ}\text{C}$	HP zal Stand-by zijn, stoppen met werken totdat het water op temperatuur zakt tot minder dan $28^{\circ}\text{C}$ .
8			Wanneer u de "Krachtige	$T1 < Tset + 1$	$T1 < 29^{\circ}\text{C}$

9		werkmodus" selecteert.	$T1 \cong Tset+1$	$T1 \cong 29^{\circ}C$	HP zal Stand-by zijn, stoppen met werken totdat het water op temperatuur zakt tot minder dan $28^{\circ}C$ .
10	Start opnieuw met het verwarmen van water in de standby-status	Wanneer HP werkt in de "Smart-modus"	$T1 \cong Tset$	$T1 \cong 28^{\circ}C$	Standby
11			$Tset > T1 \cong Tset-1$	$28^{\circ}C > T1 \cong 27^{\circ}C$	Stille modus-Frequentie F2
12			$Tset-1 > T1 \cong Tset-2$	$27^{\circ}C > T1 \cong 26^{\circ}C$	Frequentie: F2 -F3-F4,...,-F9
13			$<Tset-2$	$<26^{\circ}C$	Krachtige modus-frequentie F9
14		Wanneer HP werkt in de "Stille modus"	$\cong Tset$	$\cong 28^{\circ}C$	Standby
15			$Tset > T1 \cong Tset-1$	$28^{\circ}C > T1 \cong 27^{\circ}C$	Stille modus-Frequentie F2/F1
16			$T1 < Tset-1$	$T1 < 27^{\circ}C$	Smart modus -frequency F5
17	Wanneer HP werkt in de "Krachtige modus"	$T1 < Tset-1$	$T1 < 27^{\circ}C$	Krachtige modus-frequentie F10/F9	

#### 6.4 Logica voor de bewerkingsbewerking

Working status		Working mode	Water in temperature	For example , water in temperature	Heat pump working level
1	Opstarten van warmtepomp	Wanneer u de "Smart-werkmodus" selecteert	$T1 \cong Tset-1$	$T1 \cong 27^{\circ}C$	Standby.
2			$Tset-1 < T1 \cong Tset$	$27^{\circ}C < T1 \cong 28^{\circ}C$	Stille modus-Frequentie F2
3			$Tset < T1 \cong Tset+1$	$28 < T1 \cong 29^{\circ}C$	Frequentie: F9 -F8-F7,...,- F2
4			$T1 \cong Tset+1$	$T1 \cong 29^{\circ}C$	Krachtige modus-F9
5		Wanneer u de "Stille werkmodus" selecteert.	$T1 \cong Tset-1$	$\cong 27^{\circ}C$	Standby
6			$Tset-1 < T1 \cong Tset$	$27^{\circ}C < T1 \cong 28^{\circ}C$	Stille modus-Frequentie F2/F1
7			$T1 > Tset$	$T1 > 28^{\circ}C$	Smart modus -frequency F5
8		Wanneer u de "Krachtige werkmodus" selecteert.	$T1 > Tset-1$	$T1 > 27^{\circ}C$	Krachtige modus-frequentie F10/F9
9			$T1 \cong Tset-1$	$T1 \cong 27^{\circ}C$	Standby
10	Start opnieuw met het	Smart	$T1 \cong Tset-1$	$T1 \cong 27^{\circ}C$	Standby
11			$Tset \cong T1 < Tset+1$	$28 \cong T1 < 29^{\circ}C$	Stille modus-Frequentie F2

12	verwarmen van water		$T_{set}+1 \cong T1 < T_{set}+2$	$29 \cong T1 < 30^{\circ}C$	Krachtige modus: F2 -F3-F4,...,-F9
13	in de standby-status		$T1 \cong T_{set}+2$	$T1 \cong 30^{\circ}C$	Krachtige modus-frequentie F9
14		Silent	$T_{set} < T1 \cong T_{set}+1$	$28 < T1 \cong 29^{\circ}C$	Stille modus-Frequentie F2/F1
15			$T1 > T_{set}+1$	$T1 > 29^{\circ}C$	Smart modus -frequency F5
16		Powerful	$T1 > T_{set}+1$	$T1 > 29^{\circ}C$	Krachtige modus-frequentie F10/F9
17			$T1 \cong T_{set}-1$	$T1 \cong 27^{\circ}C$	Standby

### 6.5 Prioriteit verwarming (zie paragraaf 6.5), aansluitmogelijkheid

#### Optie 1 Waterpomp heeft betrekking op de werking van de warmtepomp om te starten of te stoppen.

De waterpomp start 60 seconden voordat de compressor, de waterpomp begint 30 seconden en detecteert vervolgens de waterstroomschakelaar.

Wanneer de warmtepomp in de stand-bymodus komt, stopt de compressor 5 minuten nadat de waterpomp is gestopt.

	Staat	Voorbeeld	Waterpomp werkende logica	
Verwarmingsmodus	$P3=0$ , $T1 \geq T_{set}-0.5^{\circ}C$ , duurt 30 minuten	$P3=0$ , $T1 \geq 27.5^{\circ}C$ , duurt 30 minuten	1. Daarna gaat het gedurende 1 uur naar de stand-bymodus (het wordt niet opnieuw gestart, behalve wanneer het handmatig wordt ingeschakeld.)	2. Na 1 uur zal de filtratiepomp 5 minuten opnieuw opstarten. Als de $T1 \leq 27^{\circ}C$ , begint de warmtepomp te werken tot $T1 \geq 27.5^{\circ}C$ en duurt deze 30 minuten om in stand-by te gaan
Koelmodus	$P3=0$ , $T1 \leq T_{set}+0.5^{\circ}C$ , duurt 30 minuten	$P3=0$ , $T1 \leq 28.5^{\circ}C$ , duurt 30 minuten	2. Daarna gaat het gedurende 1 uur naar de stand-bymodus (het wordt niet opnieuw gestart, behalve wanneer het handmatig wordt ingeschakeld.)	2. Na 1 uur zal de filtratiepomp 5 minuten opnieuw opstarten. Als de $T1 \geq 29^{\circ}C$ , begint de warmtepomp te werken tot $T1 \leq 28.5^{\circ}C$ en duurt deze 30 minuten om in stand-by te gaan

#### Optie 2 Zal de waterpomp altijd aan staan ( $P3 = 1$ )

Onder voorwaarde  $P3 = 1$ , wanneer  $T1 \geq T_{set} + 1^{\circ}C$  ( $T1 \geq 29^{\circ}C$ ) duurt 3 minuten, de warmtepomp in de stand-bymodus komt, en zal de waterpomp altijd aan staan.

Als de warmtepomp handmatig wordt uitgeschakeld of TIJD UIT staat, stopt de filterpomp dienovereenkomstig.

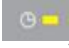

Onder optie 2, met activering van de timer;  $P2 = 1$  om de filterpomp te starten en te stoppen volgens de programmering van de P4 (tijd), P5 (timer ON) en P6 (timer OFF)

**Voorwaarde voor het starten van de warmtepomp, timer AAN is geactiveerd;**

Wanneer de timer de ingestelde tijd van TIMER ON bereikt, start de filterpomp en na 5 minuten start de warmtepomp. De warmtepomp blijft stilstaan als het water in temperatuur  $\geq T_{set} + 1\text{ }^{\circ}\text{C}$  is, voordat de TIMER UIT is, is de filtratie nog steeds geactiveerd.

**Voorwaarde om de warmtepomp te stoppen, timer UIT wordt geactiveerd;**

Wanneer de timer de ingestelde tijd van de TIMER UIT bereikt, stopt de warmtepomp en stopt de filterpomp na 5 minuten.

Nb; Symbol of automatic TIMER start , the light will be on when it is in operation, symbol of automatic TIMER stop , the light will be on when it is in operation. Outside the time operation the display will be advised by OFF.

**NOTE :**

$T_{set}$  = Watertemperatuur testen

Bijvoorbeeld :  $T_{set} = 28^{\circ}\text{C}$  Watertemperatuur testen in uw zwembad warmtepomp

$T_{set}-0.5$  = less  $0.5^{\circ}\text{C}$  dan het testen van de temperatuur

$T_{set}-0.5 = 28-0.5=27.5^{\circ}\text{C}$

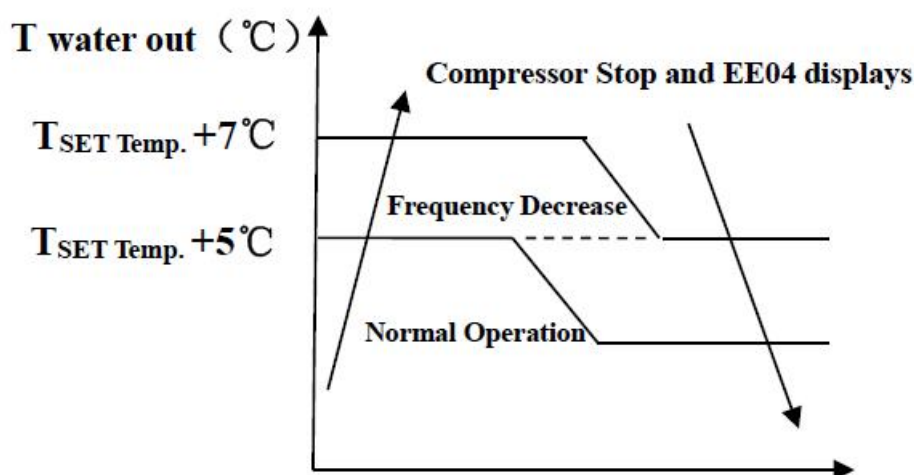
$T_{set}+0.5$  = more  $0.5^{\circ}\text{C}$  dan het testen van de temperatuur

$T_{set}+0.5 = 28+0.5=28.5^{\circ}\text{C}$

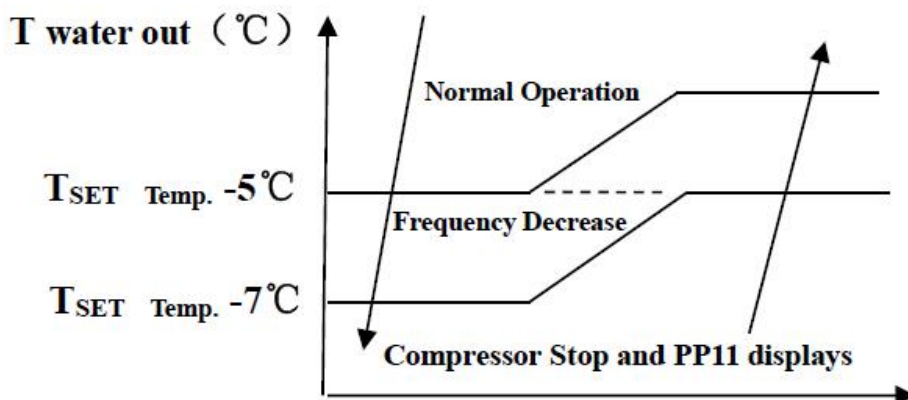
**Opmerkingen:**

1. In de verwarmingsmodus, als de wateruittredetemperatuur hoger is dan de ingestelde temperatuur boven  $7\text{ }^{\circ}\text{C}$ , geeft de LED-controller EE04 weer voor bescherming tegen oververhitting van het water.

2. In de koelmodus, als de water-uittemperatuur lager is dan de ingestelde temperatuur boven  $7\text{ }^{\circ}\text{C}$ , geeft LED-controller PP11 weer voor bescherming tegen overkoeling van water.



**EE04 Bescherming tegen oververhitting van water**



### PP11 Bescherming tegen overcooling van water

For example as below:

Mode	Water uit temperatuur	Temperatuur instellen	Staat	Storing
Verwarmingsmodus	36°C	29°C	$T_{out} - T_{set} \cong 7^{\circ}\text{C}$	EE04 Oververhittingsbeveiliging voor watertemperatuur(d2-TH5)
Koelmodus	23°C	30°C	$T_{set} - T_{out} \cong 7^{\circ}\text{C}$	PP11 Te lage bescherming voor watertemperatuur(d2-TH5)

## 7. Problemen

### 7.1 Fout code scherm op LED draad bediening

Storing	Foutcode	Reden	Oplossing
Fout in inlaatwatertemperatuur sensor d1-TH6	PP01	<ol style="list-style-type: none"> <li>1. De sensor in open of kortsluiting</li> <li>2. De bedrading van de sensor zit los</li> </ol>	<ol style="list-style-type: none"> <li>1. Controleer of verander de sensor</li> <li>2. Herbevestig de bedrading van de sensoren</li> </ol>
Uitlaat watertemperatuursens or defect d2-TH5	PP02	<ol style="list-style-type: none"> <li>1. De sensor in open of kortsluiting</li> <li>2. De bedrading van de sensor zit los</li> </ol>	<ol style="list-style-type: none"> <li>1. Controleer of verander de sensor</li> <li>2. Re-fix de bedrading van de sensoren</li> </ol>
Storing verwarmingslanssensor d5-TH2	PP03	<ol style="list-style-type: none"> <li>1. De sensor in open of kortsluiting</li> <li>2. De bedrading van de sensor zit los</li> </ol>	<ol style="list-style-type: none"> <li>1. Controleer of verander de sensor</li> <li>2. Re-fix de bedrading van de sensoren</li> </ol>
Uitval van de omgevingstemperatuur sensor d3-TH1	PP05	<ol style="list-style-type: none"> <li>1. De sensor in open of kortsluiting</li> <li>2. De bedrading van de sensor zit los</li> </ol>	<ol style="list-style-type: none"> <li>1. Controleer of verander de sensor</li> <li>2. Re-fix de bedrading van de sensoren</li> </ol>
Uitlaatpijpsensor defect d6-TH3	PP06	<ol style="list-style-type: none"> <li>1. De sensor in open of kortsluiting</li> <li>2. De bedrading van de sensor zit los</li> </ol>	<ol style="list-style-type: none"> <li>1. Controleer of verander de sensor</li> <li>2. Re-fix de bedrading van de sensoren</li> </ol>

Vorstbescherming in de winter	PP07	De omgevingstemperatuur of de waterinlaattemperatuur is te laag	1. Controleer de d1 en d3. (d1 inlaat watertemp., d3 uitlaat watertemp.) 2. Normale bescherming
Lage omgevingstemperatuur beveiliging	PP08	1. Let de reikwijdte van het gebruik milieu 2. Sensorafwijking d3-TH1	1. Stop met behulp van, buiten het gebruik van 2. Wijzig de sensor

Storing	Foutcode	Reden	Oplossing
Hoge drukfout TS4	EE01	1. De temperatuur van de omgeving is te hoog 2. Watertemperatuur is te hoog 3. Waterstroom is te laag 4. Het ventilatortoerental is abnormaal of de ventilatormotor is beschadigd 5. Gas systeem vastgelopen 6. Hogedrukdraad is los of beschadigd 7. Te veel koelmiddel	1. Controleer de waterstroom of waterpomp 2. Controleer de ventilatormotor 3. Controleer en repareer het leidingsysteem 4. Controleer en repareer het koelsysteem 5. Sluit de hogedruk draad of nieuwe vervangen hogedrukpressostaat 6. Controleer en repareer het koelsysteem
Lagedrukstoring TS5	EE02	1. EEV is geblokkeerd of het leidingsysteem is vastgelopen 2. Motortoerental is abnormaal of motor is beschadigd 3. Gaslekkage 4. Lagedrukdraad is los of beschadigd	1. Controleer de EEV en het leidingsysteem 2. Controleer de motortoerental in verwarmingsmodus, vervang een nieuwe als deze abnormaal is 3. Door de hoge drukmeter om de drukwaarde te controleren 4. Sluit de lagedrukdraad opnieuw aan of vervang een nieuwe lagedrukschakelaar
Uitval waterstroom TS1	EE03 Or" ON"	1. De bedrading van de waterstroomschakelaar is los of de waterstroomschakelaar is beschadigd 2. Geen/Onvoldoende waterstroom 3. Flowschakelaar op de slechte manier gemonteerd.	1. Wijzig de waterstromingsschakelaar 2. Controleer de waterpomp of het vaarwegstelsel 3. Controleer de positie van de stroomschakelaar op basis van de waterstroomrichting.
Oververhittingsbeveiliging voor watertemperatuur (d2-TH5) in verwarmingsmodus	EE04	1. Lage waterstroom 2. Waterstroomschakelaar zit vast en de watertoevoer is afgesneden 3. d2-TH5-sensor is abnormaal 4. Het verschil tussen de temperatuur van het uitlaatwater en de ingestelde temperatuur is 7 ° C of hoger in de verwarmingsmodus	1. Controleer het watersysteem 2. Controleer de waterpomp of waterstroomschakelaar 3. Controleer sensor d2-TH5 of wijzig een andere sensor 4. Wijzig de ingestelde temperatuur.

d6-TH3 Uitlaat te hoge bescherming	EE05	<ol style="list-style-type: none"> <li>1. Geen gas</li> <li>2. Lage waterstroom</li> <li>3. Het systeem is geblokkeerd</li> <li>4. Uitlaat temp. Sensorfout</li> <li>5. Omgevingstemperatuur is te hoog</li> </ol>	<ol style="list-style-type: none"> <li>1. Controleer de hogedrukmeter, vul deze bij te laag gas bij</li> <li>2. Controleer het vaarwegsysteem en de waterpomp</li> <li>3. Controleer het leidingsysteem als er een blok was</li> <li>4. Wijzig een nieuwe uitlaattemp. Sensor</li> <li>5. Controleer of de huidige omgevingstemperatuur en watertemperatuur hoger zijn dan de bedrijfstemperatuur van de machine</li> </ol>
Controller mislukt	EE06	<ol style="list-style-type: none"> <li>1. De draadverbinding is niet goed of beschadigde signaaldraad</li> <li>2. Controllerstoring</li> </ol>	<ol style="list-style-type: none"> <li>1. Controleer en sluit de signaaldraad opnieuw aan</li> <li>2. Verander een nieuwe signaaldraad</li> <li>3. Schakel de stroomtoevoer uit en start de machine opnieuw op</li> <li>4. Verander een nieuwe controller</li> </ol>

Storing	Foutcode	Reden	Oplossing
Compressor huidige bescherming	EE07	<ol style="list-style-type: none"> <li>1. De stroom van de compressor is onmiddellijk te groot</li> <li>2. Verkeerde aansluiting voor compressor-fasevolgorde</li> <li>3. Compressorophoppingen van vloeistof en olie leiden tot de stroom wordt groter</li> <li>4. Compressor of driverboard beschadigd</li> <li>5. De waterstroom is abnormaal</li> <li>6. Krachtfluctuaties binnen een korte tijd</li> </ol>	<ol style="list-style-type: none"> <li>1. Controleer de compressor</li> <li>2. Controleer het vaarwegsysteem</li> <li>3. Controleer of het vermogen binnen het normale bereik valt</li> <li>4. Controleer de aansluiting van de fasevolgorde</li> <li>5. Controleer de stroomtoevoer</li> </ol>
Communicatiefout tussen controller en moederbord	EE08	<ol style="list-style-type: none"> <li>1. Slechte signaaldraadverbinding of beschadigde signaaldraad</li> <li>2. Controllerstoring</li> <li>3. Rijden mislukt</li> </ol>	<ol style="list-style-type: none"> <li>1. Controleer en sluit de signaaldraad opnieuw aan</li> <li>2. Verander een nieuwe signaaldraad</li> <li>3. Schakel de stroomtoevoer uit en start de machine opnieuw op</li> <li>4. Verander een nieuwe controller</li> <li>5. Controleer het stuursysteem of update het.</li> </ol>
Communicatiefout tussen hoofdbesturingskaart en rijbord	EE09	<ol style="list-style-type: none"> <li>1. Slechte verbinding van communicatiedraad</li> <li>2. Moederbord defect</li> <li>3. De draad is beschadigd</li> </ol>	<ol style="list-style-type: none"> <li>1. Stop de stroomtoevoer en start opnieuw.</li> <li>2. Controleer de draadverbinding</li> <li>3. Verander een nieuwe draad</li> <li>4. Vervang een nieuwe printplaat</li> </ol>
VDC-voltage te hoge beveiliging	EE10	<ol style="list-style-type: none"> <li>1. Moeder lijnspanning is te hoog</li> <li>2. Driver board is beschadigd.</li> </ol>	<ol style="list-style-type: none"> <li>1. Controleer of het vermogen binnen het normale bereik valt</li> <li>2. Wijzig driverbord of hoofdbord</li> </ol>
IPM-modulebeveiliging	EE11	<ol style="list-style-type: none"> <li>1. Gegevensfout</li> <li>2. Wrong compressor-fase verbinding</li> <li>3. Compressor vloeistof en olie accumulatie leiden tot de stroom wordt</li> </ol>	<ol style="list-style-type: none"> <li>1. Programmafout, elektriciteit uitschakelen en herstarten na 3 minuten</li> <li>2. Controleer de aansluiting van de compressorsequentie</li> </ol>



		groter 4. Slechte warmteafvoer of aandrijfmodule of hoge omgevingstemperatuur 5. Compressor of driverboard beschadigd	3. Controleer de druk of het systeem met de manometer 4. Slechte warmteafvoer van de omvormermodule of hoge omgevingstemperatuur 5. Wijzig bestuurdersbord
VDC-voltage te lage beveiliging	EE12	1. Moeder lijnspanning is te laag 2. Driver board is beschadigd.	1. Controleer of het vermogen binnen het normale bereik valt 2. Wijzig bestuurdersbord
Voer stroom in via een hoge beveiliging	EE13	1. De compressorstroom is te groot kortstondig 2. De waterstroom is abnormaal 3. Power schommelingen binnen een korte tijd 4. Verkeerde PFC-inductor	1. Controleer de compressor 2. Controleer het vaarwegsysteem 3. Controleer of het vermogen binnen het normale bereik valt 4. Controleer of de juiste PFC-inductor wordt gebruikt

Storing	Foutcode	Reden	Oplossing
Het thermische circuit van de IPM-module is abnormaal	EE14	1. Uitgangsfwijking van het thermische circuit van de IPM-module 2. Fan motor is abnormaal of beschadigd Ventilatorblad is gebroken	1. Wijzig een bestuurdersbord 2. Controleer of het motortoerental te laag is of dat de ventilatormotor beschadigd is, verander een andere 3. Verander een ander ventilatorblad
IPM-module temperatuur te hoge beveiliging	EE15	1. Uitzonderingsfout van het thermische circuit van de IPM-module 2. Motor is abnormaal of beschadigd 3. Het ventilatorblad is gebroken 4. De schroef op het bestuurdersbord zit los	1. Wijzig een bestuurdersbord 2. Controleer of het ventilatortoerental te laag is of dat de ventilatormotor beschadigd is, verander een andere 3. Verander een ander ventilatorblad
Bescherming van PFC-modules	EE16	1. Uitputting uitzondering van PFC-module 2. Motor is abnormaal of beschadigd 3. Fan mes is gebroken 4. Ingangsspanningsprong, ingangsvermogen is abnormaal	1. Wijzig een bestuurdersbord 2. Controleer of het motortoerental te laag is of dat de ventilatormotor beschadigd is, verander een andere 3. Een ander ventilatorblad verwisselen 4. Controleer de ingangsspanning
Storing DC-ventilatormotor	EE17	1. DC motor is beschadigd 2. Controleer voor de driefase of de nulleider is aangesloten 3. Main board is beschadigd 4. Het ventilatorblad zit vast	1. Detecteer DC-motor, vervang deze door een nieuwe 2. Controleer de bedradingsverbinding voor de driefasige machine 4. Een nieuw moederbord wijzigen of stuurprogramma 5. Ontdek de barrière en werk het uit

Het thermische circuit van de PFC-module is abnormaal	EE18	Het driverboard is beschadigd	<ol style="list-style-type: none"> <li>1. Wijzig een nieuw driverboard</li> <li>2. Controleer of het ventilatortoerental te laag is of dat de ventilatormotor is beschadigd, verander een andere motor</li> </ol>
PFC-module bescherming tegen hoge temperaturen	EE19	<ol style="list-style-type: none"> <li>1.PFC-module thermische circuituitgang abnormaal</li> <li>2. Motor is abnormaal of beschadigd</li> <li>3. Fan mes is gebroken</li> <li>4. De schroef in het driverboard zit niet strak</li> </ol>	<ol style="list-style-type: none"> <li>1. Wijzig een nieuw driverboard</li> <li>2. Controleer of het motortoerental te laag is of dat de ventilatormotor beschadigd is, verander een andere</li> <li>3. Een ander ventilatorblad verwisselen</li> <li>4. Controleer of de schroef los zit</li> </ol>
Ingangsstroomstoring	EE20	De voedingsspanning fluctueert te veel	Controleer of de spanning stabiel is

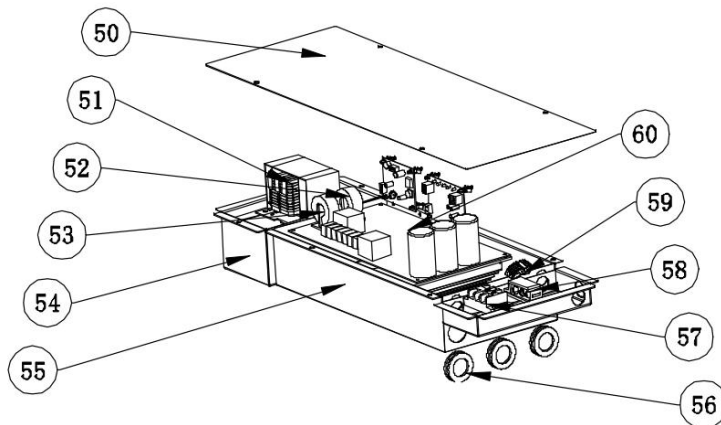
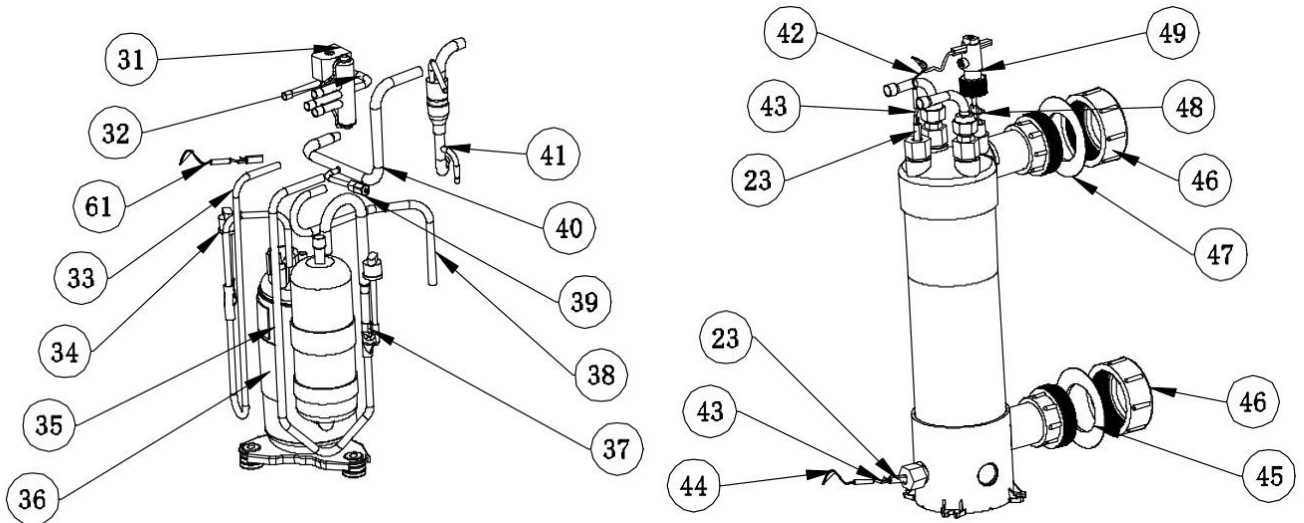
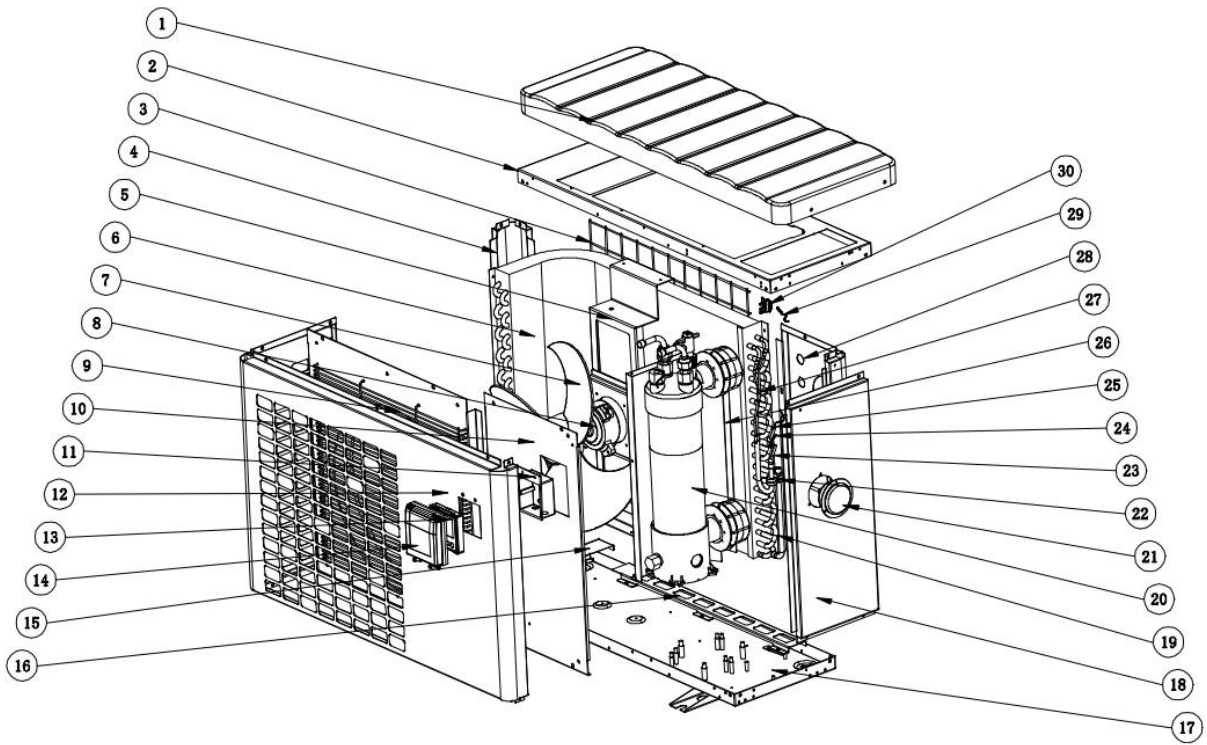
Storing	Foutcode	Reden	Oplossing
Uitzondering voor softwarebesturing	EE21	<ol style="list-style-type: none"> <li>1. Compressor werkt niet</li> <li>2. Verkeerd programma</li> <li>3. Onzuiverheid in de compressor veroorzaakt de onstabiele rotatiesnelheid</li> </ol>	<ol style="list-style-type: none"> <li>1. Controleer het moederbord of verander een nieuw board</li> <li>2. Voer het juiste programma in</li> </ol>
Stroomdetectiekringfout	EE22	<ol style="list-style-type: none"> <li>1. Spanningssignaal abnormaal</li> <li>2. Driver board is beschadigd</li> <li>3. Moederbordfout</li> </ol>	<ol style="list-style-type: none"> <li>1. Wijzig een nieuw moederbord</li> <li>2. Wijzig een nieuw bestuurdersbord</li> </ol>
Compressorstartfout	EE23	<ol style="list-style-type: none"> <li>1. Hoofdbord is beschadigd</li> <li>2. Compressor bedradingsfout of slecht contact of niet verbonden</li> <li>3. Vloeistofophoping binnen</li> <li>4. Verkeerde fase verbinding voor compressor</li> </ol>	<ol style="list-style-type: none"> <li>1. Controleer het moederbord of verander een nieuw board</li> <li>2. Controleer de bedrading van de compressor volgens het schakelschema</li> </ol> <p>Controleer de compressor of wijzig een nieuwe</p>
Apparaatstoring in omgevingstemperatuur op stuurkaart	EE24	Apparaatstoring bij omgevingstemperatuur	Wijzig driverbord of hoofdbord
Defect compressorfase	EE25	Compressoren U, V, W zijn verbonden met één fase of twee fasen.	Controleer de feitelijke bedrading volgens het schakelschema
Fout bij omschakeling van vierwegklep	EE26	<ol style="list-style-type: none"> <li>1. Terugslagfout van vierwegklep</li> <li>2. Gebrek aan koelmiddel (geen detectie wanneer d5-TH2 of d3-TH1 defect is)</li> </ol>	<ol style="list-style-type: none"> <li>1. Schakelen naar koelmodus om 4-wegklep te controleren als deze op de juiste manier is omgedraaid</li> <li>2. Wijzig een nieuwe 4-wegklep</li> <li>3. Vul met gas</li> </ol>
EEPROM-gegevens lezen storing	EE27	<ol style="list-style-type: none"> <li>1. Wrong EEPROM-gegevens in het programma of mislukte invoer van EEPROM-gegevens</li> <li>2. Fout met moederbord</li> </ol>	<ol style="list-style-type: none"> <li>1. Voer de juiste EEPROM-gegevens opnieuw in</li> <li>2. Wijzig een nieuw hoofdbord</li> </ol>
De inter-chip communicatiefout op de hoofdbesturingskaart	EE28	Hoofdbordfout	<ol style="list-style-type: none"> <li>1. Schakel de stroomtoevoer uit en start deze opnieuw op</li> <li>2. Wijzig een nieuw hoofdbord</li> </ol>

## 7.2 Andere fouten en oplossingen (Geen verschijning op LED draad controller)

Storingen	Observering	Redenen	Oplossing
Warmtepomp werkt niet	LED draadcontroller geen verschijning.	Geen stroomvoorziening	Check cable and circuit breaker if it is connected
	LED draad controller toont de actuele tijd.	Warmtepomp in stand-by status	Startup heat pump to run.
	LED draad controller toont de actuele watertemperatuur.	<ol style="list-style-type: none"> <li>1. Watertemperatuur bereikte ingestelde waarde, HP onder constante temperatuur status.</li> <li>2. Warmtepomp begint net te lopen.</li> <li>3. Onder ontdooien.</li> </ol>	<ol style="list-style-type: none"> <li>1. Controleer watertemperatuur instelling.</li> <li>2. Start warmtepomp na een paar minuten.</li> <li>3. LED draadcontroller moet vertonen "ontdooien".</li> </ol>
Watertemperatuur koelt wanneer HP loopt onder verwarming's mode	LED draad controller vertoont actuele watertemperatuur en er verschijnt geen fout code.	<ol style="list-style-type: none"> <li>1. Verkeerde modus geselecteerd.</li> <li>2. Cijfers tonen tekortkomingen.</li> <li>3. Controller defect.</li> </ol>	<ol style="list-style-type: none"> <li>1. Stel de goede modus in</li> <li>2. Vervang de defecte LED draad controller, en controleer dan de status na het veranderen van de werkende modus, controleer de water inlaat en uitlaatemperatuur.</li> <li>3. Vervangen of repareer het warmtepomp apparaat</li> </ol>
Korte looptijd	LED toont actuele watertemperatuur, er verschijnt geen fout code.	<ol style="list-style-type: none"> <li>1. Ventilator draait NIET.</li> <li>2. Luchtventilator hij is niet genoeg.</li> <li>3. Niet genoeg koelmiddel.</li> </ol>	<ol style="list-style-type: none"> <li>1. Controleer de kabelverbindingen tussen de motor en ventilator, wanneer nodig, moet het vervangen worden.</li> <li>2. Controleerlocatie van het warmtepomp apparaat, en elimineer alle obstakels om een goede luchtventilatie mogelijk te maken.</li> <li>3 Vervang of repareer het warmtepomp apparaat.</li> </ol>
Watervlekken	Watervlekken op warmtepomp apparaat.	<ol style="list-style-type: none"> <li>1. Betonneren.</li> <li>2. Water lekkage.</li> </ol>	<ol style="list-style-type: none"> <li>1. Geen actie.</li> <li>2. Controleer de titanium warmtewisselaar zorgvuldig of het defect is.</li> </ol>
Te veel ijs op de verdamper	Te veel ijs op de verdamper.		<ol style="list-style-type: none"> <li>1. Controleer de locatie van het warmtepomp apparaat, en elimineer alle obstakels om een goede lucht ventilatie mogelijk te maken.</li> <li>2. Vervang of repareer het warmtepomp apparaat.</li> </ol>

## 8. Opegeklapt diagram

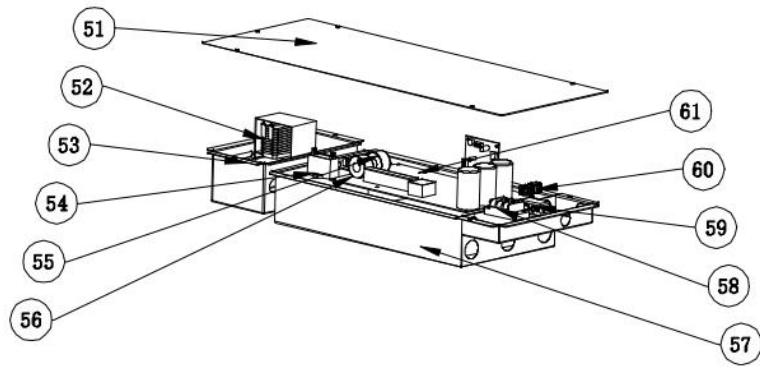
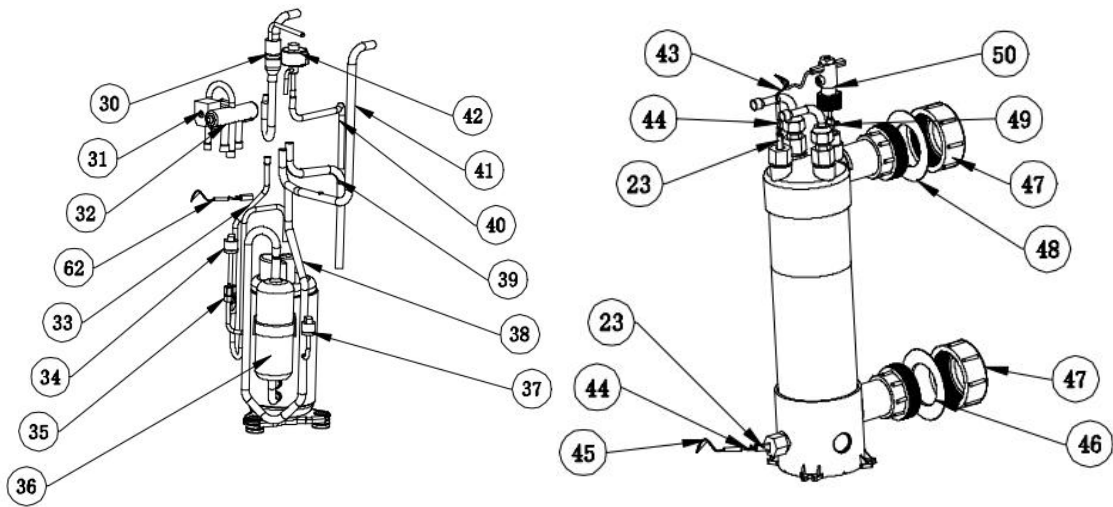
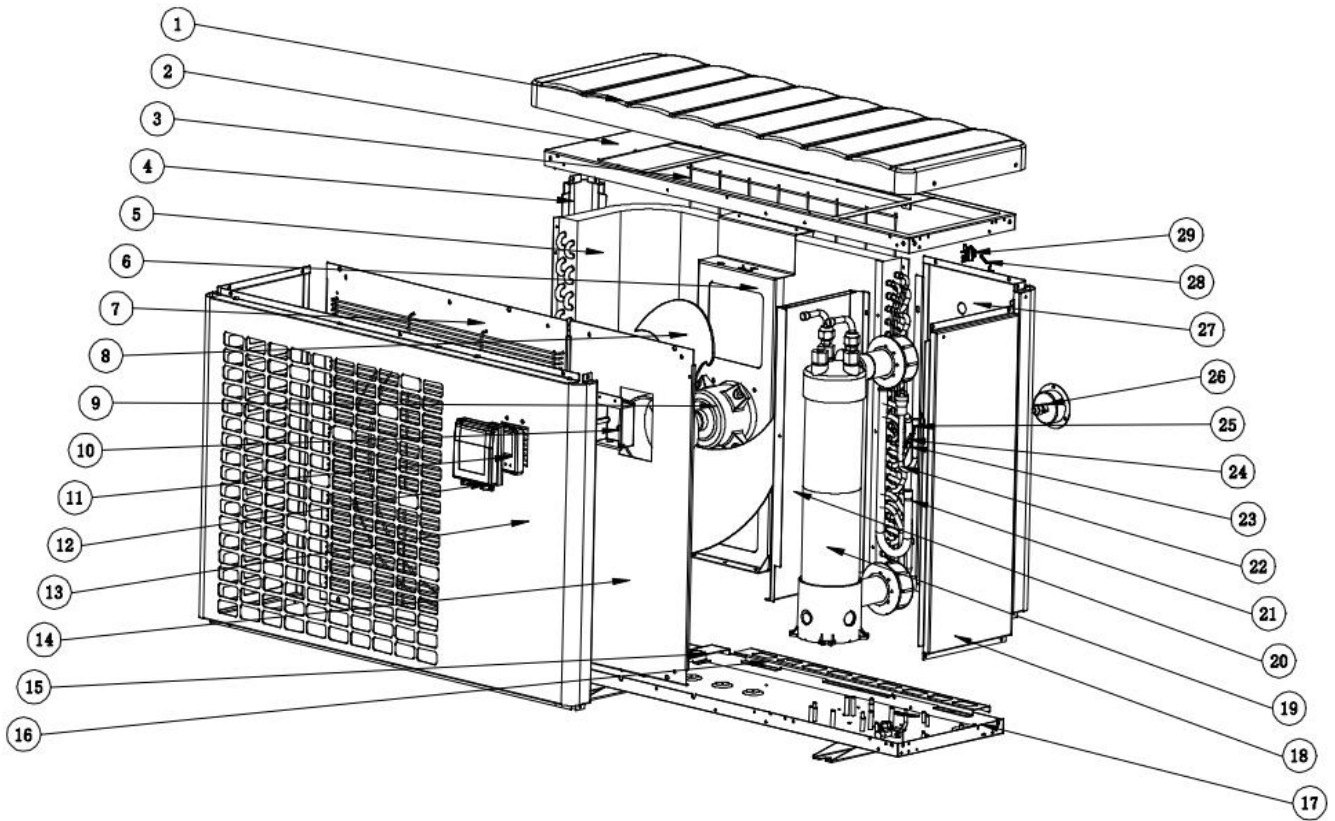
Model: VSN-10



## Spare parts list: VSN-10

NO	ERP	Spare parts	NO	ERP	Spare parts
1	133340015	Bovenklep	32	121000037	Vierwegventielspoel
2	108830029	Bovenframe	33	113010335	Uitlaat
3	108830014	Teruggrillen	34	112100030	Hogedrukschakelaar
4	108830055	Pijler	35	113020444	Gas retourleidingen
5	108830054	Ventilatormotorbeugel	36	101000187	Compressor
6	103000271	Verdamper	37	112100046	Lagedrukschakelaar
7	113600007	Waaierblad	38	113060157	Gasbuis
8	112000069	Ventilatormotor	39	120000098	Gas klep
9	108830057	Frontpaneel montage	40	113030150	4-wegklep naar wisselaar
10	108830024	Onderhoudspaneel	41	113090091	Wisselaar naar capillair
11	133030011	Controllerkast	42	117110012	Water in temp. sensor d1-TH6
12	108830058	Voorpaneel	43	108010025	Wisselaar sensor temperatuursensor
13	117020212	Controleur	44	117110011	Water uit temp. Sensor d2-TH5
14	113712007	Controller deksel	45	133020011	Blauwe rubberen ring
15	108830004	Verdamper pad	46	102050004	Wateraansluitsets
16	108830005	Verdamper pad	47	133020012	Rode rubberen ring
17	108830001	Basislade	48	133020026	Afdichtring
18	108830059	Rechter paneel	49	112100021-3	Waterstroomschakelaar
19	103000271	Collectieve leidingen	50	108830031	Elektrische deksel
20	103000271	Titanium warmtewisselaar	51	117230003	Reactor
21	106000011	Manometer	52	117240002	Magneetring
22	136020018	Rubber	53	117240003	Magneetring
23	113190001	Klem	54	108830026	Reactor doos
24	113190007	Sensorhuispijp	55	108830030	Elektrische doos
25	117110004	Pijp temp. Sensor d5-TH2	56	136020119	Rubberen ring
26	108830003	Isolatiepaneel	57	115000002	3-zits terminal
27	103000271	Leidingen voor distributie	58	136010004	Klem
28	108830056	Achterpaneel	59	115000060	2-zits terminal
29	117110020	Omgevingstemp. sensor d3-TH1	60	117100046	PCB
30	133020010	Omgevingstemp. sensor clip	61	117110021	Uitlaat temp. Sensor d6-TH3
31	121000035	4-weg klep			

Model: VSN-12 / VSN-15 / VSN-17



## Spare parts list: VSN-12

NO	ERP	Spare parts	NO	ERP	Spare parts
1	133300019	Bovenklep	32	121000037	Vierwegventielspoel
2	108790071	Bovenframe	33	113010349	Uitlaat
3	108790049	Teruggrillen	34	112100030	Hogedrukschakelaar
4	108790107	Pijler	35	120000097	Gas klep
5	103000283	Verdamper	36	101000188	Compressor
6	108790111	Ventilatormotorbeugel	37	112100046	Lagedrukschakelaar
7	108790127	Frontpaneel montage	38	113020460	Gas retourleidingen
8	113600010	Waaierblad	39	113060156	Gasbuis
9	112000070	Ventilatormotor	40	113090087	Wisselaar naar capillair
10	133030011	Controllerkast	41	113030155	4-wegklep naar wisselaar
11	117020212	Controleur	42	109000053	Capillair
12	113712007	Controller deksel	43	117110012	Water in temp. sensor d1-TH6
13	108790112	Voorpaneel	44	108010025	Wisselaar sensor temperatuursensor
14	108790081	Onderhoudspaneel	45	117110011	Water uit temp. Sensor d2-TH5
15	108790025	Verdamper pad	46	133020011	Blauwe rubberen ring
16	108790026	Verdamper pad	47	102050004	Wateraansluitsets
17	108790013	Basislade	48	133020012	Rode rubberen ring
18	108790109	Rechter paneel	49	133020026	Afdichtring
19	102040861	Titanium warmtewisselaar	50	112100021-3	Waterstroomschakelaar
20	108790024	Isolatiepaneel	51	108790072	Elektrische deksel
21	103000283	Collectieve leidingen	52	117230003	Reactor
22	103000283	Leidingen voor distributie	53	108790073	Reactor doos
23	113190001	Klem	54	111000006	Ventilatorcondensator
24	113190007	Sensorhuispijp	55	117240002	Magneetring
25	117110004	Pijp temp. Sensor d5-TH2	56	117240003	Magneetring
26	106000011	Manometer	57	108790075	Elektrische doos
27	108790108	Achterpaneel	58	115000002	3-zits terminal
28	117110020	Omgevingstemp. sensor d3-TH1	59	136010004	Klem
29	133020010	Omgevingstemp. sensor clip	60	115000060	2-zits terminal
30	113030155	4-wegklep naar wisselaar	61	117100046	PCB
31	121000034	4-weg klep	62	117110021	Uitlaat temp. Sensor d6-TH3

## Spare parts list: VSN-15

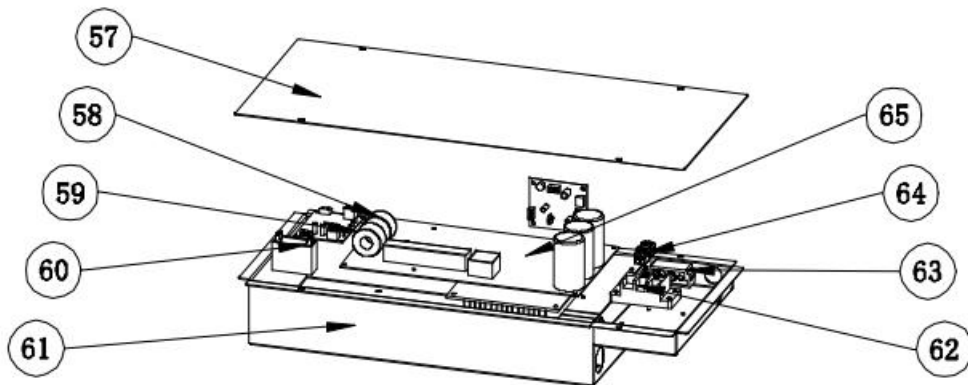
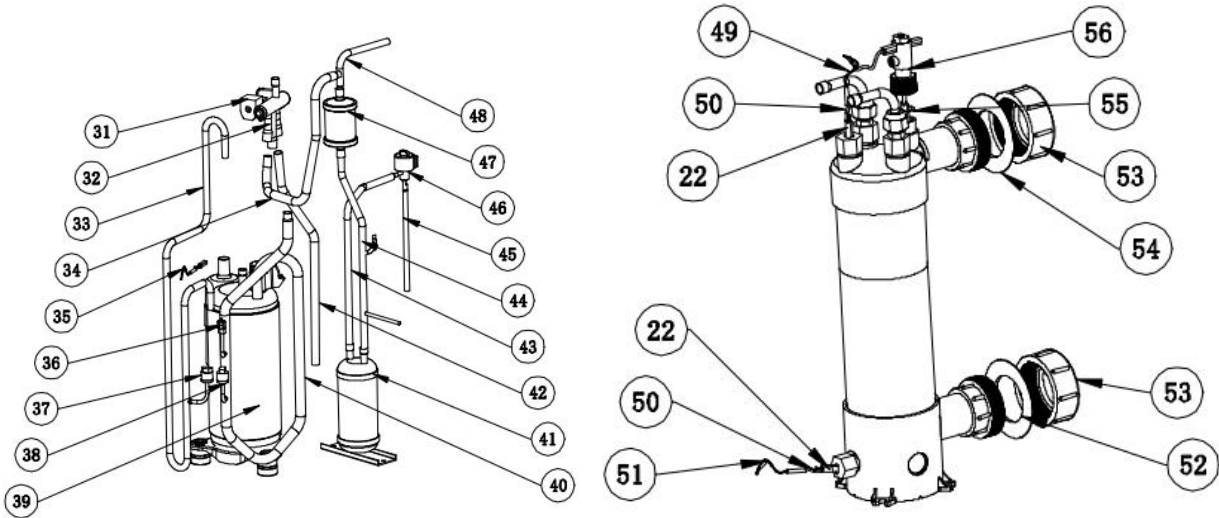
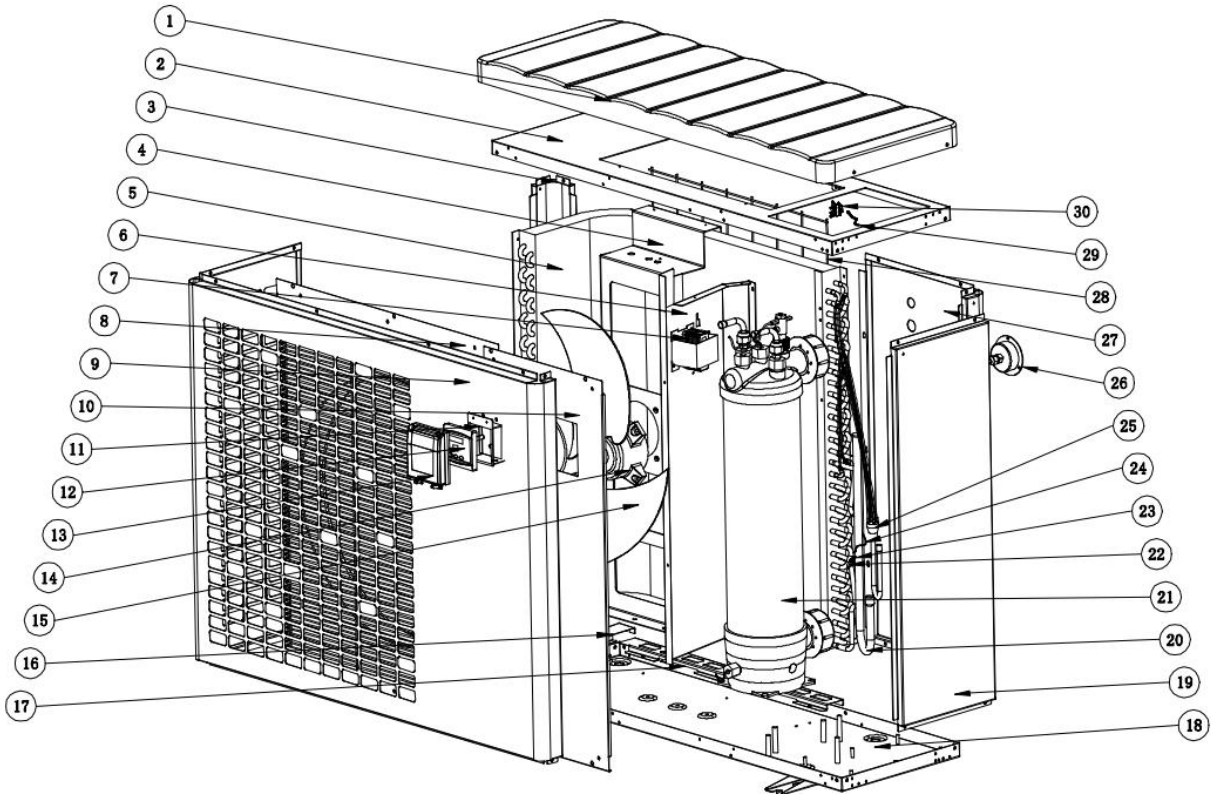
NO	ERP	Spare parts	NO	ERP	Spare parts
1	133300019	Bovenklep	32	121000037	Vierwegventielspoel
2	108790071	Bovenframe	33	113010349	Uitlaat
3	108790049	Teruggrillen	34	112100030	Hogedrukschakelaar
4	108790107	Pijler	35	120000097	Gas klep
5	103000290	Verdamper	36	101000188	Compressor
6	108790111	Ventilatormotorbeugel	37	112100046	Lagedrukschakelaar
7	108790127	Frontpaneel montage	38	113020460	Gas retourleidingen
8	113600010	Waaierblad	39	113060156	Gasbuis
9	112000070	Ventilatormotor	40	113080110	Wisselaar naar capillair
10	133030011	Controllerkast	41	113070054	4-wegklep naar wisselaar
11	117020212	Controleur	42	119000058	Capillair
12	113712007	Controller deksel	43	117110012	Water in temp. sensor d1-TH6
13	108790112	Voorpaneel	44	108010025	Wisselaar sensor temperatuursensor
14	108790081	Onderhoudspaneel	45	117110011	Water uit temp. Sensor d2-TH5
15	108790025	Verdamper pad	46	133020011	Blauwe rubberen ring
16	108790026	Verdamper pad	47	102050004	Wateraansluitsets
17	108790013	Basislade	48	133020012	Rode rubberen ring
18	108790109	Rechter paneel	49	133020026	Afdichtring
19	102040865	Titanium warmtewisselaar	50	112100021-3	Waterstroomschakelaar
20	108790024	Isolatiepaneel	51	108790072	Elektrische deksel
21	103000290	Collectieve leidingen	52	117230003	Reactor
22	103000290	Leidingen voor distributie	53	108790073	Reactor doos
23	113190001	Klem	54	111000006	Ventilatorcondensator
24	113190007	Sensorhuispijp	55	117240002	Magneetring
25	117110004	Pijp temp. Sensor d5-TH2	56	117240003	Magneetring
26	106000011	Manometer	57	108790074	Elektrische doos
27	108790108	Achterpaneel	58	115000002	3-zits terminal
28	117110020	Omgevingstemp. sensor d3-TH1	59	136010004	Klem
29	133020010	Omgevingstemp. sensor clip	60	115000060	2-zits terminal
30	113030155	4-wegklep naar wisselaar	61	117100047	PCB
31	121000034	4-weg klep	62	117110021	Uitlaat temp. Sensor d6-TH3



## Spare parts list: VSN-17

NO	ERP	Spare parts	NO	ERP	Spare parts
1	133300019	Bovenklep	32	121000037	Vierwegventielspoel
2	108790071	Bovenframe	33	113010390	Uitlaat
3	108790049	Teruggrillen	34	112100030	Hogedrukschakelaar
4	108790107	Pijler	35	120000097	Gas klep
5	103000291	Verdamper	36	101000181	Compressor
6	108790111	Ventilatormotorbeugel	37	112100046	Lagedrukschakelaar
7	108790127	Frontpaneel montage	38	113020541	Gas retourleidingen
8	113600010	Waaierblad	39	113060156	Gasbuis
9	112000070	Ventilatormotor	40	113080115	Wisselaar naar capillair
10	133030011	Controllerkast	41	113070054	4-wegklep naar wisselaar
11	117020212	Controleur	42	119000058	Capillair
12	113712007	Controller deksel	43	117110012	Water in temp. sensor d1-TH6
13	108790112	Voorpaneel	44	108010025	Wisselaar sensor temperatuursensor
14	108790081	Onderhoudspaneel	45	117110011	Water uit temp. Sensor d2-TH5
15	108790025	Verdamper pad	46	133020011	Blauwe rubberen ring
16	108790026	Verdamper pad	47	102050004	Wateraansluitsets
17	108790093	Basislade	48	133020012	Rode rubberen ring
18	108790109	Rechter paneel	49	133020026	Afdichtring
19	103000271	Titanium warmtewisselaar	50	112100021-3	Waterstroomschakelaar
20	108790024	Isolatiepaneel	51	108790072	Elektrische deksel
21	103000291	Collectieve leidingen	52	117230003	Reactor
22	103000291	Leidingen voor distributie	53	108790073	Reactor doos
23	113190001	Klem	54	111000006	Ventilatorcondensator
24	113190007	Sensorhuispijp	55	117240002	Magneetring
25	117110004	Pijp temp. Sensor d5-TH2	56	117240003	Magneetring
26	106000011	Manometer	57	108790074	Elektrische doos
27	108790108	Achterpaneel	58	115000002	3-zits terminal
28	117110020	Omgevingstemp. sensor d3-TH1	59	136010004	Klem
29	133020010	Omgevingstemp. sensor clip	60	115000060	2-zits terminal
30	113030172	4-wegklep naar wisselaar	61	117100047	PCB
31	121000034	4-weg klep	62	117110021	Uitlaat temp. Sensor d6-TH3

# Model: VSN-21



NO	ERP	Spare parts	NO	ERP	Spare parts
1	133350015	Bovenklep	34	113030174	4-wegklep naar wisselaar
2	108840002	Bovenframe	35	117110004	Pijp temp. Sensor d5-TH2
3	108840081	Pijler	36	120000097	Gas klep
4	108840079	Ventilatormotorbeugel	37	112100030	Hogedrukschakelaar
5	103000292	Verdamper	38	112100046	Lagedrukschakelaar
6	108840003	Isolatiepaneel	39	101000185	Compressor
7	117230002	Reactor	40	113020451	Gas retourleidingen
8	108840084	Frontpaneel montage	41	105000004	Vloeibare opslagtank
9	108840080	Voorpaneel	42	113060159	Gasbuis
10	108840083	Panneau de maintenance	43	113120040	Vloeibare opslagtank naar EEV
11	133030011	Controllerkast	44	113130042	Filter op vloeistofreservoir
12	117020284	Controleur	45	113080111	Eev naar distributieleidingen
13	113712007	Controller deksel	46	119000059	EEV
14	111400043	Ventilatormotor	47	120000066	Filteren
15	113600013	Waaierblad	48	113130035	Wisselaar om te filteren
16	108840004	Verdamper pad	49	117110012	Water in temp. sensor d1-TH6
17	108840005	Verdamper pad	50	108010025	Wisselaar sensor temperatuursensor
18	108840001	Basislade	51	117110011	Water uit temp. Sensor d2-TH5
19	108840085	Rechter paneel	52	133020011	Blauwe rubberen ring
20	103000292	Collectieve leidingen	53	102050004	Wateraansluitsets
21	102041021	Titanium warmtewisselaar	54	133020012	Rode rubberen ring
22	113190001	Klem	55	133020026	Afdichtring
23	113190007	Sensorhuispijp	56	112100021-3	Waterstroomschakelaar
24	117110021	Uitlaat temp. Sensor d6-TH3	57	108840008	Elektrische deksel
25	103000292	Leidingen voor distributie	58	117240002	Magneetring
26	106000011	Manometer	59	117240003	Magneetring
27	108840082	Achterpaneel	60	111000006	Ventilatorcondensator
28	108840014	Teruggrillen	61	108840007	Elektrische doos
29	117110020	Omgevingstemp. sensor d3-TH1	62	115000025	3-zits terminal
30	133020010	Omgevingstemp. sensor clip	63	136010004	Klem
31	121000028	4-weg klep	64	115000060	2-zits terminal
32	121000037	Vierwegventielspoel	65	117100047	PCB
33	113010339	Uitlaat			


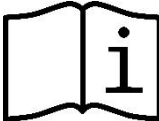
## 9. Onderhoud

- (1) U moet het water voorziening systeem regelmatig controleren om te voorkomen dat lucht het systeem binnentreedt en lage water doorvoer voorkomen, omdat het de prestaties en betrouwbaarheid van het HP apparaat kan verminderen.
- (2) Reinig uw zwembaden en filter systeem regelmatig om schade aan het apparaat te vermijden als een resultaat van een vuil of verstopt filter.
- (3) In omgekeerde manier, moet u controleren dat het apparaat volledig met water gevuld is voordat u het apparaat weer opnieuw opstart.
- (4) Nadat het apparaat gereedgemaakt is voor het winterseizoen, is het beter om het te beschermen met een speciale winter verwarming pomp.
- (5) Wanneer het apparaat werkt, is er de gehele tijd een klein water verlies onder het apparaat.
- (6) Tap het water in de warmtepomp altijd af tijdens de winter of wanneer de omgevingstemperatuur onder 0 °C daalt, anders raakt de titaniumwisselaar beschadigd door bevriezing. In dat geval vervalt uw garantie.

### Waarschuwing!

- Voordat u onderhoudswerkzaamheden aan het apparaat uitvoert, moet u de stroomtoevoer onderbreken, aangezien er een risico op elektrische schokken bestaat, wat materiële schade, ernstig letsel of zelfs de dood kan veroorzaken.
- Het wordt aanbevolen dat het apparaat ten minste eenmaal per jaar een algemeen onderhoud ondergaat om de goede werking te garanderen, de prestaties te handhaven en eventuele storingen te voorkomen. Deze handelingen worden op kosten van de gebruiker uitgevoerd door een gekwalificeerde technicus. Voor onderhoud uitgevoerd door een gekwalificeerde technicus.
- voor onderhoud dat moet worden uitgevoerd door een gekwalificeerde technicus, leest u de veiligheidsinstructies op de vorige pagina's in het hoofdstuk "onderhoud: waarschuwingen voor apparaten die R32-koelmiddel bevatten" voordat u een van de hieronder beschreven onderhoudswerkzaamheden uitvoert.

 **AVISOS**

	Este símbolo mostra que informações como o Manual de Operações ou Manual de Instalação estão disponíveis.		Este símbolo indica que este aparelho utiliza R32, um refrigerante de baixa velocidade de combustão.
	Este símbolo indica que o Manual de Utilização deve ser lido com atenção.		Este símbolo indica que um técnico de manutenção deve manusear este equipamento de acordo com o Manual de Instalação.

### AVISOS GERAIS

- O não cumprimento dos avisos pode causar danos ao equipamento da piscina, ferimentos graves, ou mesmo a morte.
- Apenas um profissional qualificado nos domínios técnicos correspondentes (eletricidade, hidráulica ou refrigeração), está habilitado a executar a manutenção ou a reparação do aparelho. O técnico qualificado que intervém no aparelho deve utilizar/usar um equipamento de proteção individual (tais como óculos de segurança, luvas de proteção, etc...) para reduzir o risco de ferimento que pode ocorrer aquando da intervenção no aparelho.
- Antes de qualquer intervenção no aparelho, certifique-se de se encontra fora de tensão e isolado.
- Este aparelho não está previsto ser utilizado por pessoas (incluindo crianças, de 8 anos ou mais) inexperientes ou cujas capacidades físicas, sensoriais ou mentais sejam reduzidas, salvo: se for utilizado sob vigilância ou com instruções de utilização dadas por uma pessoa responsável pela sua segurança; e se elas compreenderem os riscos incorridos. As crianças devem ser vigiadas para assegurar-se de que não brinquem com o aparelho.
- A instalação do aparelho deve ser realizada em conformidade com as instruções do fabricante e no respeito das normas locais e nacionais em vigor. O instalador é responsável pela instalação do aparelho e pelo cumprimento das regulamentações nacionais em matéria de instalação. Em caso algum o fabricante poderá ser considerado responsável no caso do não cumprimento das normas de instalação locais em vigor.
- Para qualquer outra ação diferente da simples conservação pelo utilizador descrita neste manual, o produto deve ser conservado por um profissional qualificado.
- Toda a instalação e/ou utilização incorreta pode provocar prejuízos materiais ou corporais graves (podendo causar a morte).
- No caso de um mau funcionamento do aparelho: não tentar reparar por si mesmo o aparelho, e contactar um técnico qualificado.
- Toda a desativação, eliminação ou contorno de um dos elementos de segurança integrados ao aparelho anula automaticamente a garantia, assim como a utilização de peças de substituição provenientes de um fabricante terceiro não autorizado.
- Não vaporizar inseticida nem outro produto químico (inflamável ou não) sobre o aparelho, porque esses produtos podem deteriorar a carroçaria e provocar um incêndio.
- Não tocar no ventilador nem nas peças móveis e não inserir objetos ou os seus dedos na proximidade das peças móveis quando o aparelho estiver em funcionamento. As peças móveis podem causar ferimentos graves ou mesmo a morte.
- Por favor, mantenha o controlador do visor em uma área seca ou feche bem a tampa de isolamento para

proteger o controlador do visor de ser danificado pela umidade.

#### **AVISOS LIGADOS A APARELHOS ELÉTRICOS**

- A alimentação elétrica do aparelho deve ser protegida por um dispositivo de proteção de corrente diferencial residual (DDR) de 30 mA dedicado, em conformidade com as normas em vigor do país de instalação.
- Não utilizar uma extensão para ligar o aparelho; ligá-lo diretamente a um circuito de alimentação adaptado.
- Antes de qualquer operação, verificar que:  
A tensão indicada na placa sinalética do aparelho corresponde efetivamente à da rede,  
A rede de alimentação é adequada à utilização do aparelho e dispõe de uma ligação à terra,  
A ficha de alimentação (se aplicável) adapta-se à tomada de corrente.
- Não desligar e ligar o aparelho durante o seu funcionamento.
- Não puxar o cabo de alimentação para o desligar.
- Se o cabo de alimentação estiver deteriorado, deverá imperativamente ser substituído pelo fabricante, o seu agente de manutenção ou uma outra pessoa qualificada, para garantir a segurança.
- Não realizar a conservação ou a manutenção do aparelho com as mãos molhadas ou se o aparelho estiver molhado.
- Antes de conectar o aparelho à fonte de alimentação, certificar-se de que o bloco de terminais ou a tomada ao qual o aparelho será conectado está em bom estado e não está deteriorado nem enferrujado.
- Em caso de tempestade, desligar o aparelho para evitar que seja deteriorado pelos raios.
- Não imergir o aparelho em água nem em lama ;

#### **ADVERTÊNCIAS LIGADAS AOS APARELHOS QUE CONTÉM REFRIGERANTE R32**

- O refrigerante R32 é um refrigerante de categoria A2L, que é considerado como potencialmente inflamável.
- Não descarregar o fluido R32 na atmosfera. Este fluido é um gás fluorado com efeito de estufa, coberto pelo protocolo de Quioto, com um Potencial de aquecimento global (GWP) = 675 (regulamentação europeia UE 517/2014).
- O aparelho deve ser armazenado num local bem ventilado afastado de qualquer fonte de chama.
- Instalar a unidade no exterior. Não instalar a unidade no interior ou num local fechado e não ventilado no exterior.
- Não utilizar meios de aceleração do processo de degelo ou de limpeza que não sejam os recomendados pelo fabricante.
- O aparelho deve ser armazenado num local sem fonte de faíscas em funcionamento permanente (por exemplo: chamas ao ar livre, aparelho a gás em funcionamento ou aquecimento elétrico em funcionamento).
- Não o perfurar, nem incinerar.
- O refrigerante R32 pode emitir um certo odor.
- A fim de cumprir as normas e regulamentos aplicáveis em termos de ambiente e instalação, em particular o decreto francês n.º 2015-1790 e / ou o regulamento europeu UE 517/2014, um teste de vazamento deve ser realizado no circuito de refrigeração pelo menos uma vez por ano. Esta operação deve ser realizada por um especialista certificado para testar aparelhos de refrigeração.
- Mantenha o controlador de tela em uma área seca ou feche bem a tampa de isolamento para proteger o controlador de tela de ser danificado pela umidade.

#### **MANUTENÇÃO: AVISOS RELATIVOS AOS APARELHOS QUE CONTÉM REFRIGERANTE R32**

- Durante a fase de conservação do aparelho, a composição e o estado do fluido condutor de calor serão controlados, assim como a ausência de vestígios de refrigerante.
- Durante o controlo anual da estanqueidade do aparelho, de acordo com as leis em vigor, verificar que os pressostatos de alta e baixa pressão estão corretamente ligados ao circuito frigorífico e que o circuito elétrico é cortado em caso de desengate.
- Durante a fase de manutenção, certifique-se de que não há sinais de corrosão ou manchas de óleo em

torno dos componentes frigoríficos.

- Não solde ou solde o tubo se houver refrigerante dentro da máquina. Não carregue o gás quando estiver em um espaço confinado.

### **Verificação da zona**

- Antes de começar a trabalhar em sistemas que contém fluidos frigorígenos inflamáveis, controlos de segurança são necessários para garantir que o risco de faíscas seja reduzido.

### **Procedimento de trabalho**

- Os trabalhos devem ser efetuados segundo um procedimento controlado para reduzir o risco de libertação de um gás ou vapor inflamável durante os trabalhos.
- Antes de todas as intervenções no circuito frigorífico, é imperativo parar o aparelho e aguardar alguns minutos antes da instalação de sensores de temperatura ou de pressão, porque certos equipamentos como o compressor e as tubagens podem atingir temperaturas superiores a 100°C e pressões elevadas que poderiam provocar queimaduras graves

### **Zona geral de trabalho**

- Todo o pessoal de manutenção e as outras pessoas que trabalham na zona próxima devem ser mantidas ao corrente dos trabalhos efetuados. Trabalhos em espaços confinados devem ser evitados.

### **Verificação da presença de refrigerante**

- A zona deve ser objeto de uma verificação por um detetor de refrigerante apropriado antes e durante os trabalhos, para que o técnico seja avisado da presença de uma atmosfera potencialmente tóxica ou inflamável. Assegurar-se de que o equipamento de deteção de fugas utilizado é adaptado à utilização com todos os refrigerantes concernidos, ou seja que não pode provocar faíscas, está corretamente isolado ou é perfeitamente seguro.

### **Presença de um extintor**

- Se trabalhos que implicam uma certa temperatura devem ser efetuados no equipamento frigorífico ou sobre qualquer peça associada, um equipamento de extinção dos incêndios apropriado deve encontrar-se à mão. Colocar um extintor de pó ou CO2 na proximidade da zona de trabalho.

### **Ausência de fonte de ignição**

- Toda pessoa que efetuar trabalhos num sistema frigorífico e que tenha de expor as tubagens não deverá utilizar qualquer fonte de faíscas suscetível de representar um risco de incêndio ou explosão. Todas as possíveis fontes de faísca, nomeadamente cigarros, devem ser mantidas suficientemente longe do local de instalação, reparação, retirada ou eliminação, quando uma libertação de refrigerante no espaço circundante é potencialmente possível. Antes dos trabalhos, a zona em torno do equipamento deve ser examinada para assegurar que não comporta riscos de incêndio ou de faísca. Cartazes “É proibido fumar” devem ser afixados.

### **Ventilação da zona**

- Antes de aceder à unidade de qualquer maneira com a intenção de executar qualquer tarefa de manutenção, verifique se a área está aberta e bem ventilada. Ventilação adequada deve ser fornecida durante toda a tarefa de manutenção para permitir que qualquer refrigerante que possa ser liberado na atmosfera seja disperso com segurança.

### **Verificação do equipamento de refrigeração**

- As recomendações do fabricante em matéria de conservação e manutenção devem sempre ser respeitadas. Aquando da substituição de componentes elétricos, assegurar-se da utilização de componentes do mesmo tipo e da mesma categoria, que sejam recomendados/aprovados pelo fabricante. Em caso de dúvida, consultar a assistência técnica do fabricante para obter ajuda.

- As seguintes verificações devem ser aplicadas às instalações que utilizam refrigerantes inflamáveis: as marcações no equipamento devem permanecer visíveis e legíveis, todo sinal ou marcação ilegível deve ser corrigido;

os tubos ou componentes frigoríficos são instalados numa posição em que é pouco provável que sejam expostos a qualquer substância que possa corroer os componentes que contém refrigerantes, a menos que esses componentes sejam fabricados com materiais normalmente resistentes à corrosão ou corretamente protegidos contra tal corrosão.

### **Verificação dos componentes elétricos**

- A reparação e a manutenção dos componentes elétricos devem comportar controlos de segurança iniciais e procedimentos de inspeção dos componentes. Caso ocorra uma falha que possa comprometer a segurança, nenhuma alimentação elétrica deverá ser conectada ao circuito até que esta falha seja inteiramente resolvida. Se a falha não puder ser corrigida imediatamente, mas seja necessário continuar os trabalhos, uma solução temporária adaptada deverá ser encontrada. Este facto deve ser sinalizado ao proprietário do equipamento para que todas as pessoas envolvidas sejam avisadas.

- A reparação e a manutenção dos componentes elétricos devem comportar os seguintes controlos de segurança iniciais:

os condensadores estão descarregados: isto deve ser efetuado com toda a segurança para evitar qualquer possibilidade de faísca;

nenhum componente elétrico e nenhum cabo alimentado é exposto durante a carga, o acondicionamento ou a purga do sistema;

a ligação à terra deve estar presente em contínuo.

### **Reparação nos componentes isolados**

- Aquando de reparações de componentes isolados, todas as alimentações elétricas devem ser desconectadas do equipamento no qual serão efetuados os trabalhos, antes de qualquer remoção da tampa de isolamento, etc. Se o equipamento deve absolutamente ser alimentado com eletricidade durante a conservação, um dispositivo de deteção de fugas funcionando em permanência deve ser posicionado no ponto mais crítico para sinalizar qualquer situação potencialmente perigosa.

- Convém prestar uma atenção particular aos seguintes pontos, para garantir que durante os trabalhos em componentes elétricos, a caixa não seja alterada a ponto de afetar o nível de proteção. Isto deve incluir cabos deteriorados, um número excessivo de ligações, terminais não conformes às características de origem, juntas deterioradas, a instalação incorreta dos prensa-cabos, etc.

- Certificar-se de que o aparelho está corretamente fixado.

- Certifique-se de que as juntas ou os materiais de isolamento não estão degradados a ponto de deixarem de impedir que uma atmosfera inflamável penetre no circuito. As peças sobresselentes devem estar em conformidade com as características do fabricante.

### **Reparação dos componentes intrinsecamente seguros**

- Não aplicar nenhuma carga de indução ou de capacidade elétrica permanente ao circuito sem se certificar de que esta não excede a tensão e a intensidade autorizadas para o equipamento em curso de utilização.

- Os componentes normalmente seguros são os únicos tipos de componentes sobre os quais é possível trabalhar na presença de uma atmosfera inflamável enquanto são alimentados. O aparelho de teste deve pertencer à classe adaptada.

- Substituir os componentes unicamente por peças especificadas pelo fabricante. Outras peças poderiam inflamar o refrigerante na atmosfera devido a uma fuga.

### **Cablagem**

- Verificar que a cablagem não apresenta desgaste, corrosão, pressão excessiva,
- vibração, bordo cortante ou qualquer outro efeito ambiental negativo. O controlo deve igualmente ter em conta os efeitos do envelhecimento ou de vibrações contínuas provocadas por fontes como compressores



ou ventiladores.

### **Deteção de fluido refrigerante inflamável**

- Em caso algum fontes potenciais de faísca devem ser utilizadas para a busca ou deteção de fugas de refrigerante. Não utilizar uma lâmpada halóide (ou qualquer outro detetor que utilize uma chama nua).
- Os seguintes métodos de deteção de fuga são considerados como aceitáveis para todos os sistemas frigoríficos.
- Os detetores de fuga eletrónicos podem ser utilizados para detetar fugas de refrigerante, mas no caso de refrigerantes inflamáveis, é possível que a sensibilidade não seja adaptada ou necessite uma nova calibração. (O equipamento de deteção deve ser calibrado num local que não comporte nenhum refrigerante.) Certificar-se de que o detetor não é uma potencial fonte de faísca e é adaptado ao refrigerante utilizado. O equipamento de deteção de fugas deve ser ajustado a uma percentagem do LFL do refrigerante e deve ser calibrado em função do refrigerante utilizado. A percentagem de gás apropriada (25 % no máximo) deve ser confirmada.
- Os fluidos de deteção de fugas são igualmente adaptados à utilização com a maioria dos refrigerantes, mas a utilização de detergentes contendo cloro deve ser evitada, pois poderiam reagir com o refrigerante e corroer as tubagens em cobre.
- Se houver uma suspeita de fuga, todas as chamas nuas devem ser suprimidas/apagadas.
- Se uma fuga de refrigerante foi detetada e necessita uma brasagem, todo o refrigerante deve ser retirado do sistema ou isolado (através de válvulas de fecho) numa parte do sistema afastada da fuga.

### **Retirada e evacuação**

- Quando de um acesso ao circuito frigorífico para efetuar reparações, ou por qualquer outro motivo, procedimentos convencionais devem ser utilizados. No entanto, para refrigerantes inflamáveis, é essencial seguir as recomendações porque a inflamabilidade deve ser tida em conta. O seguinte procedimento deve ser respeitado:

retirar o refrigerante;

purgar o circuito com um gás inerte (facultativo para o A2L);

evacuar (facultativo para o A2L);

purgar com um gás inerte (facultativo para o A2L);

abrir o circuito por corte ou soldagem.

- A carga de refrigerante deve ser recuperada nas garrafas de recuperação apropriadas. Para aparelhos que contenham refrigerantes inflamáveis outros que os refrigerantes A2L, o sistema deve ser purgado com azoto isento de oxigénio para tornar o aparelho apto a receber refrigerantes inflamáveis. Pode ser necessário repetir este processo várias vezes. Ar comprimido ou oxigénio não devem ser utilizados para purgar sistemas frigoríficos.

### **Procedimentos de carregamento**

- Assegure-se de que a saída da bomba de vácuo não se encontra na proximidade de qualquer fonte potencial de faísca e de que uma ventilação está disponível.
- Além dos procedimentos de carregamento convencionais, as seguintes exigências devem ser respeitadas:
- Assegure-se de que nenhuma contaminação entre diferentes refrigerantes é possível durante a utilização de um equipamento de carga. Os tubos flexíveis e as linhas devem ser tão curtos quanto possível para reduzir a quantidade de refrigerante que contém.
- As garrafas devem ser mantidas numa posição apropriada, conforme as instruções.
- Assegure-se de que o sistema frigorífico está ligado à terra antes de carregar o sistema com refrigerante.
- Etiquetar o sistema uma vez efetuada a carga (se já não for o caso).
- Prestar particularmente atenção para não encher demasiado o sistema frigorífico.
- Antes de recarregar o sistema, um teste com pressão deve ser efetuado com um gás de purga apropriado. O sistema deve ser examinado quanto à ausência de fuga no fim da carga, mas antes da colocação em serviço. Um teste de fuga de acompanhamento deve ser efetuado antes de sair do local.

### **Desmantelamento**

- Antes de efetuar um procedimento de desmantelamento, é indispensável que o técnico esteja bem familiarizado com o equipamento e as suas características. É particularmente recomendado recuperar cuidadosamente a integralidade dos refrigerantes. Antes de efetuar esta tarefa, uma amostra de óleo e de refrigerante deve ser recuperada, caso análises se revelem necessárias antes de uma outra utilização do refrigerante recuperado. É indispensável verificar a presença de uma alimentação elétrica antes de iniciar a tarefa.

1. Familiarizar-se com o equipamento e o seu funcionamento.

2. Isolar eletricamente o sistema.

3. Antes de iniciar o procedimento, assegurar-se dos seguintes pontos:

um equipamento de movimentação mecânica está disponível, se necessário, para manipular as garrafas de refrigerante;

todo o equipamento de proteção individual está disponível e é corretamente utilizado;

o processo de recuperação é acompanhado o tempo todo por uma pessoa competente;

O equipamento e as garrafas de recuperação estão em conformidade com as normas aplicáveis.

4. Evacuar o sistema frigorífico, se possível.

5. Se um vácuo não puder ser criado, instalar um coletor para poder retirar o refrigerante a partir de várias localizações do sistema.

6. Assegurar-se de que a garrafa se encontra sobre as balanças antes de começar as operações de recuperação.

7. Fazer arrancar a máquina de recuperação e fazê-la funcionar em conformidade com as instruções.

8. Não encher excessivamente as garrafas (não mais de 80 % do volume de carga líquida).

9. Não exceder a pressão máxima de funcionamento da garrafa, mesmo temporariamente.

10. Quando as garrafas tiverem sido corretamente cheias e o processo estiver terminado, assegurar-se de que as garrafas e o equipamento sejam rapidamente removidos do local e as válvulas de isolamento alternativas do equipamento sejam fechadas.

11. O refrigerante recuperado não deve ser carregado num outro sistema frigorífico, a menos que tenha sido limpo e controlado.

### **RESOLUÇÃO DE PROBLEMAS**

- Qualquer intervenção de soldagem deve ser realizada por soldadores qualificados.

- A substituição de tubagens só poderá ser efetuada com tubos em cobre em conformidade com a norma NF EN 12735-1.

- Detecção de fugas, caso de teste sob pressão:

nunca utilizar oxigénio ou ar seco, riscos de incêndio ou explosão,

utilizar azoto desidratado ou uma mistura de azoto e do refrigerante indicado na placa sinalética,

a pressão do teste dos lados baixa e alta pressão não deve exceder 42 bar, caso o aparelho esteja equipado com a opção manómetro.

- Para as tubagens do circuito de alta pressão realizadas com tubos em cobre de um diâmetro = ou > a 1"5/8, um certificado §2.1 segundo a norma NF EN 10204 deverá ser pedido ao fornecedor e conservado na documentação técnica da instalação.

- As informações técnicas relativas às exigências de segurança das diferentes diretivas aplicadas estão indicadas na placa sinalética. Todas estas informações devem ser registadas no manual de instalação do aparelho, que deve figurar na documentação técnica da instalação: modelo, código, número de série, TS máximo e mínimo, PS, ano de fabrico, marcação CE, endereço do fabricante, refrigerante e peso, parâmetros elétricos, performance termodinâmica e acústica.

### **ETIQUETAGEM**

- O equipamento deve ser etiquetado, com uma menção indicando que foi posto fora de serviço e que o fluido frigorígeno foi drenado.

- A etiqueta deve ser datada e assinada.

- Para os aparelhos que contém um fluido frigorígeno inflamável, prestar atenção a que etiquetas sejam

apostas no equipamento, indicando que contém um refrigerante inflamável.

## RECUPERAÇÃO

- Aquando da drenagem do refrigerante, para a conservação ou a colocação fora de serviço, é recomendado seguir as boas práticas para drenar a integralidade do refrigerante com toda a segurança.
- Aquando da transferência de refrigerante a uma garrafa, utilizar uma garrafa de recuperação adaptada ao refrigerante. Prever o número adequado de garrafas para recuperar a integralidade do fluido. Todas as garrafas a utilizar devem ser concebidas para a recuperação de refrigerante e devem ser etiquetadas para este refrigerante específico. As garrafas devem ser equipadas com uma válvula de depressão e válvulas de retenção em bom estado de funcionamento. As garrafas de recuperação vazias são evacuadas e, se possível, arrefecidas antes da recuperação.
- O equipamento de recuperação deve estar em bom estado de funcionamento, as instruções de utilização do equipamento devem estar acessíveis e o equipamento deve ser adaptado ao refrigerante em questão, e se for o caso, ao refrigerante inflamável. Além disso, um conjunto de balanças calibradas deve estar disponível e em bom estado de funcionamento. Os tubos devem estar completos, não apresentar fugas nem uniões desconectadas, e devem estar em bom estado. Antes de utilizar a máquina de recuperação, verificar que ela está em bom estado de funcionamento, que foi bem conservada e os componentes elétricos associados foram tornados estanques para evitar qualquer início de incêndio em caso de liberação de refrigerante. Em caso de dúvida, consultar o fabricante.
- O refrigerante recuperado deve ser enviado ao fornecedor de refrigerante na sua garrafa de recuperação, com uma nota de transferência de resíduos. Não misturar diferentes fluidos frigorigénos nas unidades de recuperação, e em particular nas garrafas.
- Se o compressor for desmontado ou se o óleo do compressor for drenado, verificar que o refrigerante foi devidamente evacuado para que não se misture com o lubrificante. O processo de drenagem deve ser realizado antes de reenviar o compressor ao fornecedor. Unicamente o aquecimento elétrico do corpo do compressor pode ser utilizado para acelerar este processo. Quando qualquer líquido de um sistema for drenado, esta operação deve ser realizada com toda a segurança.
- 



### *Reciclagem*

Este símbolo, requerido pela diretiva europeia DEEE 2012/19/UE (diretiva relativa aos resíduos de equipamentos elétricos e eletrónicos) significa que o seu aparelho não deve ser posto no lixo. Ele será objeto de uma recolha seletiva com vistas à sua reutilização, reciclagem ou valorização. Se contiver substâncias potencialmente perigosas para o meio ambiente, estas serão eliminadas ou neutralizadas. Informe-se junto do seu revendedor sobre as modalidades de reciclagem.

# VSN INVERTER -5°C

## Manual do Usuário e de Serviço

### ÍNDICE

1. Especificações
2. Dimensão
3. Instalação e conexão
4. Acessórios
5. Fiação elétrica
6. Operação do controlador de exibição
7. Resolução de problemas
8. Diagrama Explodido
9. Manutenção

Obrigado por usar nossa bomba de calor na piscina para o aquecimento da piscina, ele vai aquecer a água da sua piscina e manter a temperatura constante quando a temperatura ambiente do ar estiver entre -5 e 43 °C

 **ATENÇÃO:** Este manual inclui todas as informações necessárias com o uso ea instalação da sua bomba de calor.

O instalador deve ler o manual e seguir atentamente as instruções de implementação e manutenção. Continue a transmitir este manual para mais tarde durante a vida útil do aparelho.

O instalador é responsável pela instalação do produto e deve seguir todas as instruções do fabricante e os regulamentos em aplicação. A instalação incorrecta contra o manual implica a exclusão da totalidade da garantia.

O fabricante declina qualquer responsabilidade pelos danos causados com as pessoas, objectos e dos erros devidos à instalação que desobedecem à orientação manual. Qualquer utilização que esteja sem conformidade na origem da sua fabricação será considerada como perigosa.

# 1. Especificações

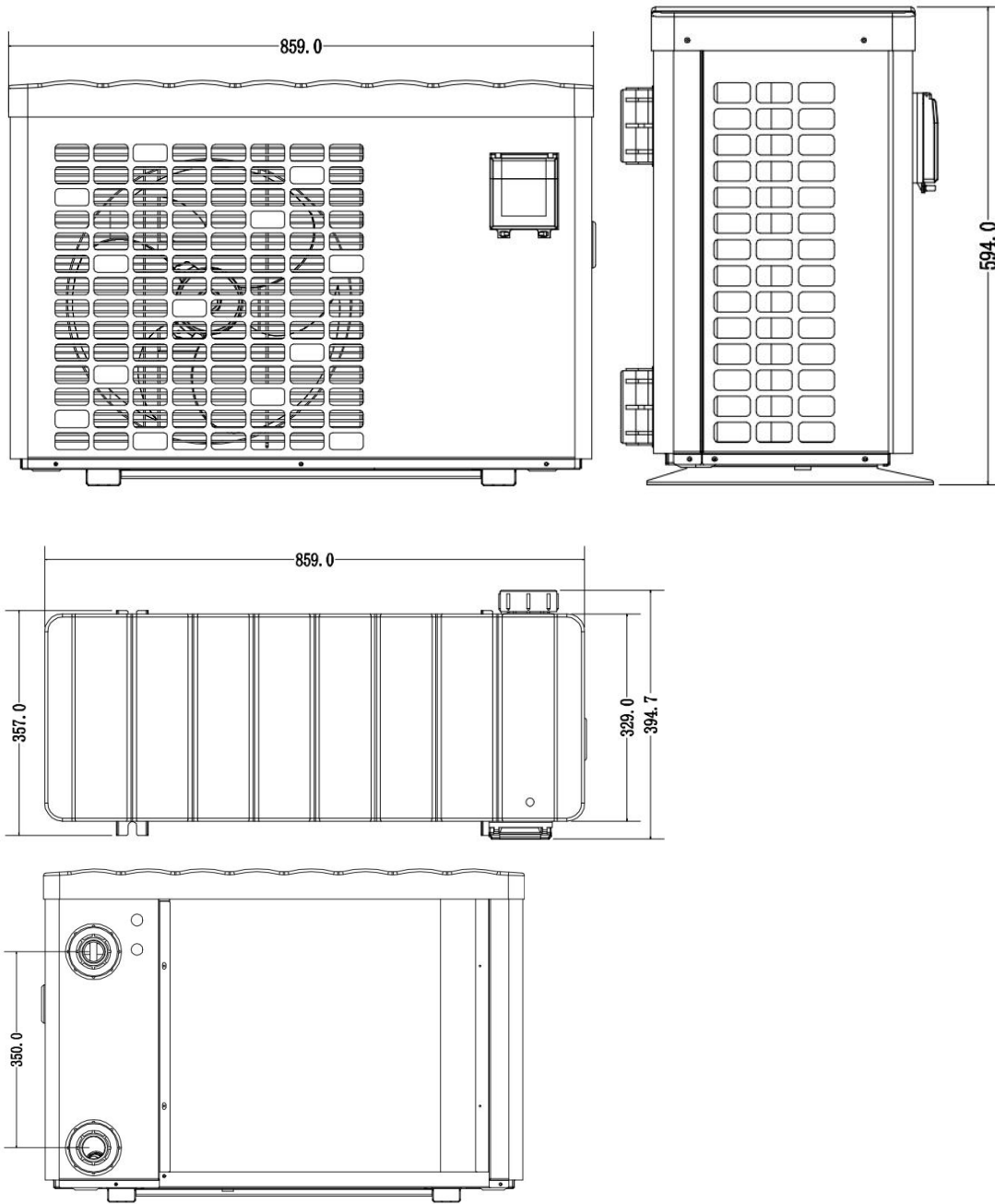
## 1.1 Dados técnicos

MODEL		74152	74153	74154	74155	74156
CODE		VSN-10	VSN-12	VSN-15	VSN-17	VSN-21
<b>* Desempenho no ar 28 °C, água 28 °C, umidade 80%</b>						
Saída de calor	kW	10-3.5	12-4.8	15-5	17-5.3	21-4.7
Entrada de energia	kW	1.61-0.43	1.96-0.6	2.5-0.63	2.85-0.66	3.39-0.59
C.O.P.		8.5-6.2	8.5-6.1	8.5-6	8.5-6	8.5-6.2
<b>* Desempenho no ar 15 °C, água 26 °C, umidade 70%</b>						
Saída de calor	kW	7-2.5	8.5-3.5	10-3.6	12-3.8	15-3.9
Entrada de energia	kW	1.65-0.43	1.98-0.6	2.38-0.62	2.8-0.66	3.5-0.67
C.O.P.		5.8-4.2	5.8-4.3	5.8-4.2	5.8-4.3	5.8-4.3
<b>* Fonte de energia</b>						
Compressor		Inverter Compressor				
Voltagem	V	220~240V / 50Hz or 60Hz /1PH				
Corrente nominal	A	7.20	8.70	11.00	11.90	15.00
Corrente do fusível	A	11.00	13.00	17.00	18.00	23.00
Fluxo de água recomendado	m <sup>3</sup> /h	2.80	3.70	4.00	4.60	5.00
Maximum drukverlies	Kpa	12	14	15	15	18
Trocador de calor		Twist-titanium tube in PVC				
Tubulação de água in-out spec	mm	50				
Quantidade de ventilador		1				
Tipo de ventilação		Horizontal				
Nível de ruído a 10m	dB(A)	28-35	29-37	30-39	30-39	32-41
Nível de ruído a 1m	dB(A)	45-52	46-54	47-56	47-56	49-58
Quantidade de refrigerante	g	650	750	950	1100	1500
CO2 equivalente	Tonne	0.44	0.51	0.64	0.74	1.01
<b>* Dimension/Weight</b>						
Peso líquido	kg	56.00	68.00	73.00	78.00	98.00
Peso bruto	kg	68.00	73.00	78.00	83.00	113.00
Dimensão da rede	mm	859*394.7*594	987*418.7*693.5			1074*462.6*894
Dimensão da Embalagem	mm	890*425*630	1015*445*715			1105*490*920

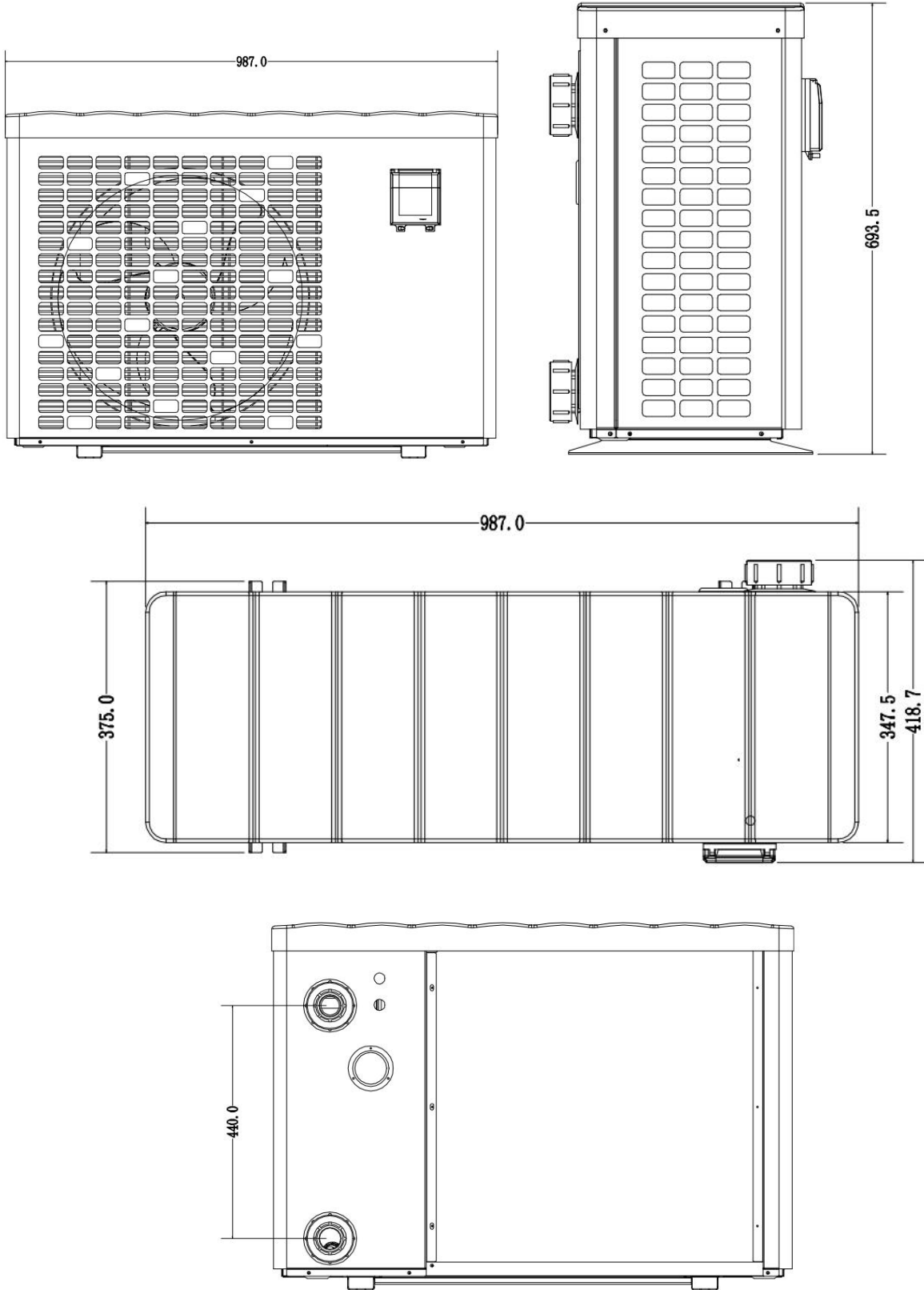
\* Os dados acima estão sujeitos a modificação sem aviso prévio.

## 2. Dimensão (mm)

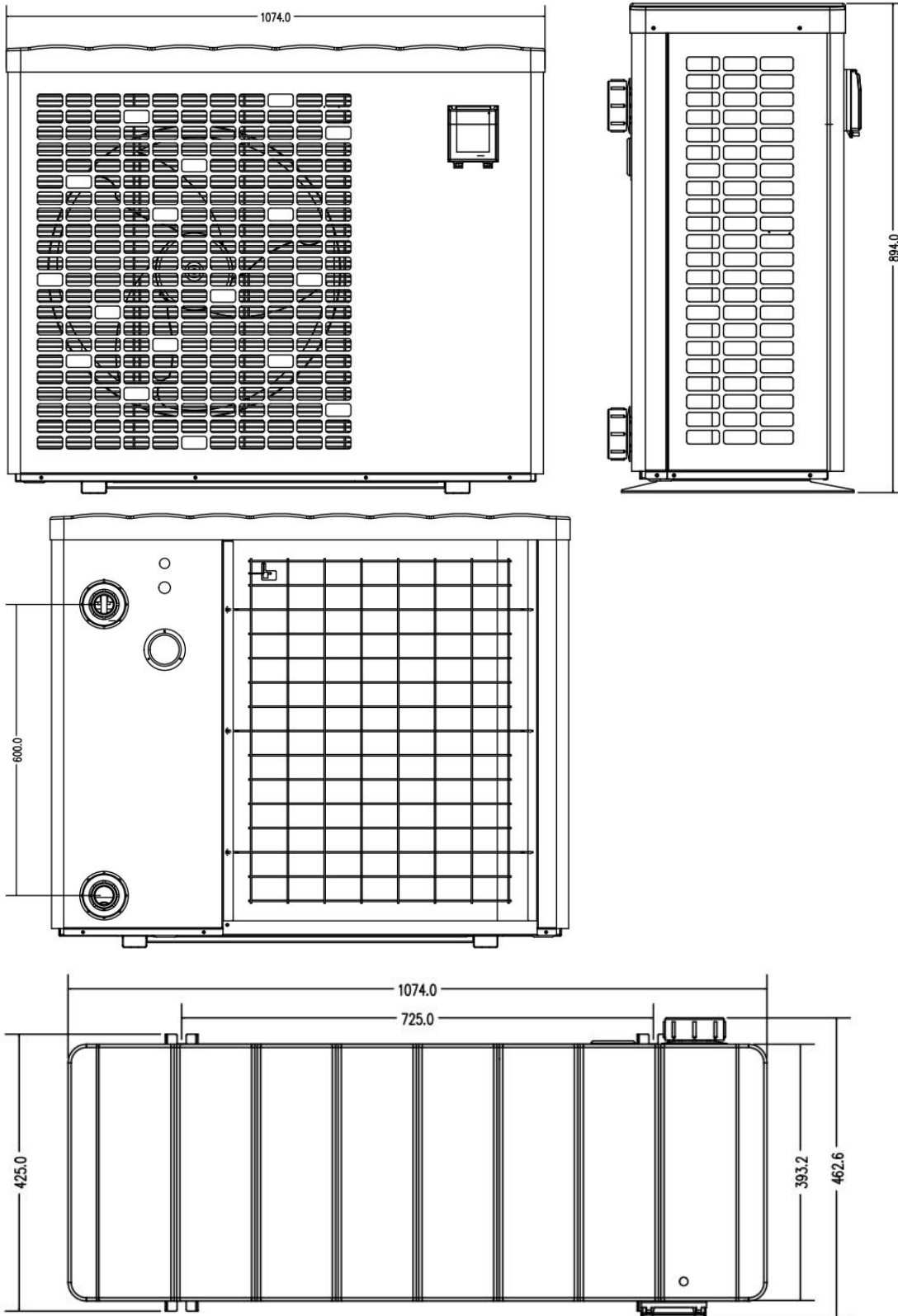
Model: VSN-10



Model:VSN-12 & VSN-15 & VSN-17



Model: VSN-21





### 3.Instalação e conexão

#### 3.1 Notas

A fábrica fornece apenas a bomba de calor. Todos os outros componentes, incluindo um bypass se necessário, devem ser fornecidos pelo usuário ou pelo instalador.

#### Atenção:

Observe as seguintes regras ao instalar a bomba de calor:

- 1.Qualquer adição de produtos químicos deve ter lugar na tubagem situada a **jusante** da bomba de calor..
- 2.Instale uma derivação se o fluxo de água da bomba da piscina for superior a 20% maior do que o fluxo permissível através do permutador de calor da bomba de calor.
- 3.Instale a bomba de calor acima do nível da água da piscina..
- 4.Sempre coloque a bomba de calor sobre uma base sólida e use os suportes de borracha incluídos para evitar vibrações e ruídos.
- 5.Sempre mantenha a bomba de calor na posição vertical. Se a unidade tiver sido mantida em ângulo, aguarde pelo menos 24 horas antes de iniciar a bomba de calor.

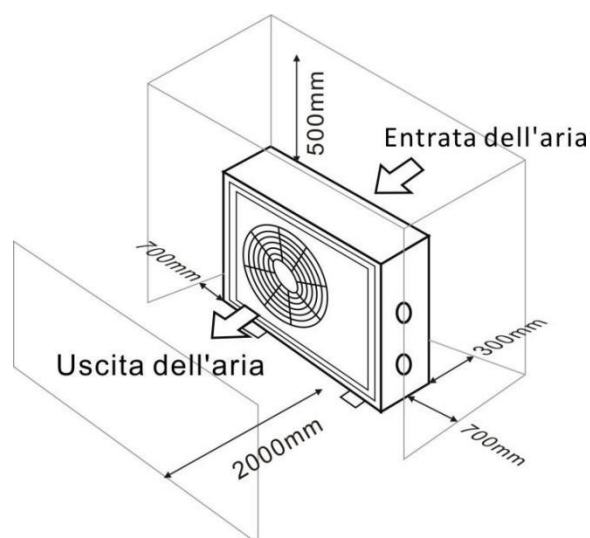
#### 3.2 Localização da bomba de calor

A unidade funcionará adequadamente em qualquer local desejado, desde que os três itens a seguir estejam presentes:

##### 1. Ar fresco – 2. Eletricidade – 3. Filtros de piscina

A unidade pode ser instalada em praticamente qualquer local externo, desde que as distâncias mínimas especificadas para outros objetos sejam mantidas (veja o desenho abaixo). Por favor, consulte o seu instalador para a instalação com uma piscina interior. Instalação em um local ventoso não apresenta qualquer problema em tudo, ao contrário da situação com um aquecedor a gás (incluindo problemas chama piloto).

**ATENÇÃO:** Nunca instale a unidade em uma sala fechada com um volume de ar limitado no qual o ar expulso da unidade será reutilizado ou perto de arbustos que possam bloquear a entrada de ar. Tais locais prejudicam o fornecimento contínuo de ar fresco, resultando em eficiência reduzida e, possivelmente, impedindo a produção de calor suficiente. Veja o desenho abaixo para dimensões mínimas.



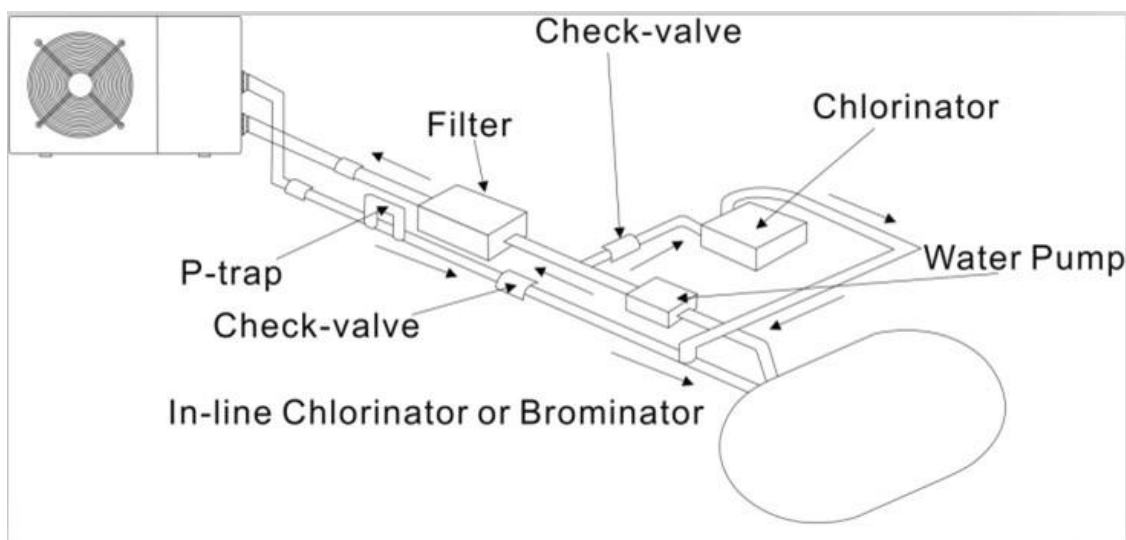
### 3.3 Distância de sua piscina

A bomba de calor é normalmente instalada dentro de uma área de perímetro que se estende 7,5 m da piscina. Quanto maior a distância da piscina, maior a perda de calor nos tubos. Como os tubos são em sua maioria subterrâneos, a perda de calor é baixa para distâncias de até 30 m (15 m de e para a bomba; 30 m no total) a menos que o solo esteja molhado ou o nível de água subterrânea seja alto. Uma estimativa aproximada da perda de calor por 30 m é de 0,6 kWh (2.000 BTU) para cada diferença de 5 °C entre a temperatura da água na piscina e a temperatura do solo ao redor da tubulação. Isso aumenta o tempo de operação em 3% a 5%.

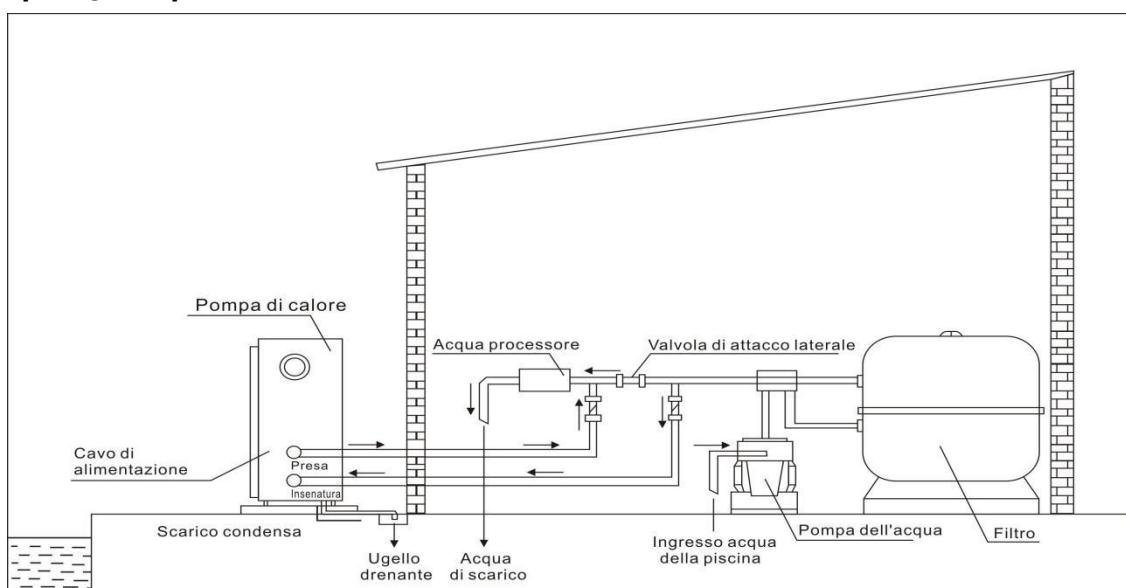
### 3.4 Instalação da válvula de retenção

Nota: Se for utilizado equipamento de dosagem automática para cloro e acidez (pH), é essencial proteger a bomba de calor contra concentrações químicas excessivamente elevadas que podem corroer o permutador de calor. Por esta razão, os equipamentos deste tipo devem sempre estar instalados na tubagem do lado a **jusante** da bomba de calor e recomenda-se instalar uma válvula de retenção para evitar o fluxo inverso na ausência de circulação de água.

Os danos à bomba de calor causados pela não observância desta instrução não são cobertos pela garantia..

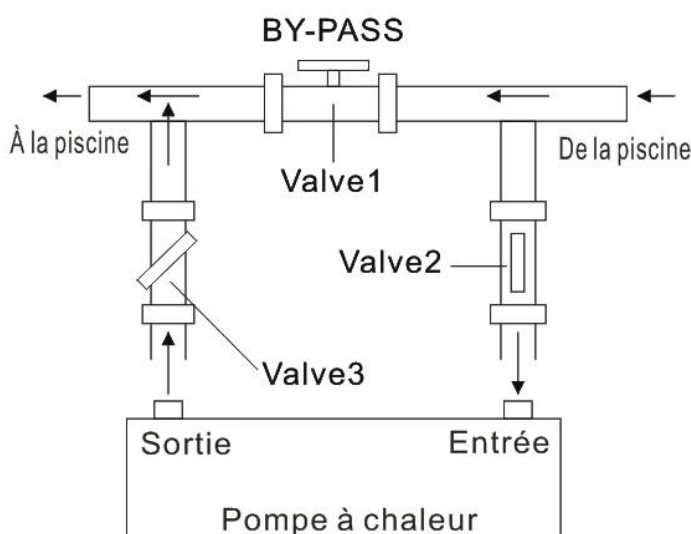


### 3.5 Disposição típica



**Nota: Esta disposição é apenas um exemplo ilustrativo.**

### 3.6 Ajustar o bypass



Por favor, siga as etapas abaixo para ajustar o by-pass:

1. Válvula 1 de largura aberta. Válvula 2 e válvula 3 fechadas.
2. Abra lentamente a válvula 2 e a válvula 3 pela metade, depois feche a válvula 1 lentamente para aumentar o fluxo de água para a válvula 2 e a válvula.
3. Se mostra 'ON' ou 'EE3' em exibição, significa que o fluxo de água na bomba de calor não é suficiente, então você precisa ajustar as válvulas para aumentar o fluxo de água através da bomba de calor.

Como obter o melhor fluxo de água:

Por favor, ative a bomba de calor sob a função de aquecimento, primeiro feche o by-pass e abra-o lentamente para iniciar a bomba de calor (a máquina não pode começar a funcionar quando o fluxo de água é insuficiente).

### 3.7 Ligação eléctrica

**Nota:** Embora a bomba de calor seja isolada electricamente do resto do sistema de piscina, isto só impede o fluxo de corrente eléctrica para ou da água na piscina. A aterramento ainda é necessária para proteção contra curto-circuitos dentro da unidade. Sempre forneça uma boa ligação à terra. O instalador deve consultar o fornecedor de energia eléctrica se necessário e garantir que o equipamento esteja conectado corretamente a uma rede eléctrica com impedância inferior a 0,095 ohm.

**Aviso:** Antes de qualquer trabalho no interior do eletrodoméstico, você deve cortar o fornecimento de eletricidade do eletrodoméstico, pois há risco de choque eléctrico que pode causar danos materiais, ferimentos graves ou até a morte.

- **Terminais apertados incorretamente podem fazer com que a caixa de terminais aqueça, o que pode invalidar**

**A garantia.**

- **Apenas um técnico qualificado e experiente está autorizado a realizar o trabalho de cabeamento dentro do aparelho ou para substituir o cabo de alimentação.**

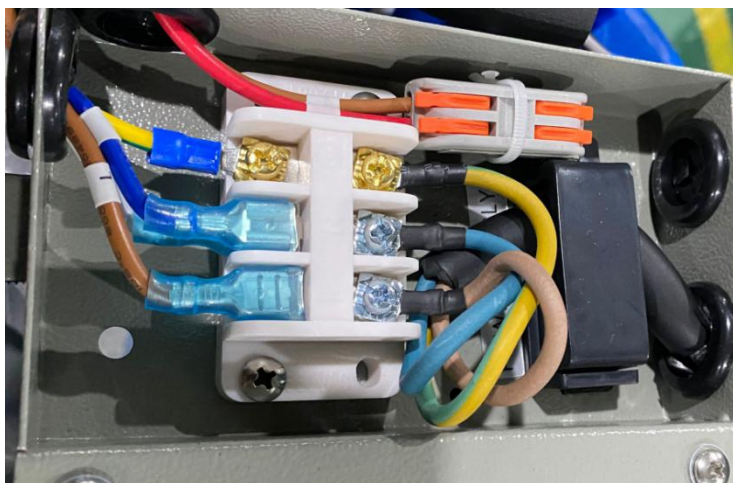
Antes de conectar a unidade, verifique se a tensão de alimentação corresponde à tensão de operação da bomba de calor.

Recomenda-se ligar a bomba de calor a um circuito com fusível próprio ou disjuntor (tipo lento; curva D) e utilizar cablagem adequada.

Conecte os fios eléctricos ao bloco de terminais marcado 'POWER SUPPLY'.

Um segundo bloco de terminais marcado 'BOMBA DE ÁGUA' está localizado próximo ao primeiro. A bomba


do filtro (máx. 5 A 0 V) pode ser conectada ao segundo bloco de terminais aqui. Isso permite que a operação da bomba do filtro seja controlada pela bomba de calor.



### 3.8 Operação inicial

**Nota:** Para aquecer a água na piscina (ou banheira de hidromassagem), a bomba do filtro deve estar a funcionar para fazer com que a água circule através da bomba de calor. A bomba de calor não arranca se a água não estiver a circular.

Depois de todas as conexões terem sido feitas e verificadas, execute o seguinte procedimento:

1. Ligar a bomba do filtro. Verifique se há vazamentos e verifique se a água está fluindo de e para a piscina.
2. Ligue a alimentação à bomba de calor e pressione o botão On / Off  no painel de controle eletrônico. A unidade será inicializada após o término do tempo de espera (veja abaixo).
3. Após alguns minutos, verifique se o ar soprado para fora da unidade está mais frio.
4. Quando desligar a bomba do filtro, a unidade também deve desligar automaticamente, se não, então ajuste o interruptor de fluxo.
5. Deixe a bomba de calor e a bomba do filtro funcionarem 24 horas por dia até atingir a temperatura desejada da água. A bomba de calor pára de funcionar neste ponto. Depois disso, ele será reiniciado automaticamente (enquanto a bomba do filtro estiver funcionando) sempre que a temperatura da água da piscina cair 2 graus abaixo da temperatura definida.

Dependendo da temperatura inicial da água na piscina e da temperatura do ar, pode levar vários dias para aquecer a água até a temperatura desejada. Uma cobertura boa piscina pode reduzir drasticamente o tempo necessário.

#### **Interruptor de fluxo de água:**

Ele é equipado com um interruptor de fluxo para proteger a unidade HP funcionando com taxa de fluxo de água adequada. Ele se acenderá quando a bomba da piscina é executado e desligá-lo quando a bomba desliga. Se o nível da água da piscina estiver acima de 1 m acima ou abaixo do botão de ajuste automático da bomba de calor, o revendedor poderá precisar ajustar sua inicialização inicial.

**Time delay** - A bomba de calor tem um atraso de arranque de 3 minutos para proteger os circuitos e evitar o desgaste excessivo do contacto. A unidade será reiniciada automaticamente após este tempo de espera expirar. Mesmo uma breve interrupção de energia irá disparar este atraso de tempo e impedir que a unidade reinicie imediatamente. Interrupções de energia adicionais durante este período de atraso não afetam a duração de 3 minutos do atraso.

### 3.9 Condensação

O ar aspirado para dentro da bomba de calor é fortemente resfriado pela operação da bomba de calor para aquecer a água da piscina, o que pode causar condensação nas aletas do evaporador. A quantidade de condensação pode ser de até vários litros por hora a uma humidade relativa elevada. Isso às vezes é considerado equivocadamente como um vazamento de água.

### 3.10 Modos operacionais para o uso ideal


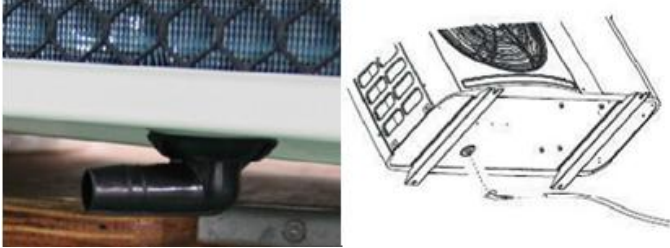


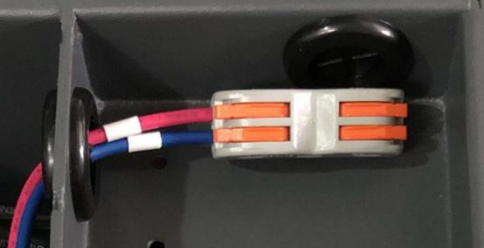
- PODEROSO: Usado principalmente no início da temporada porque este modo permite um aumento muito rápido da temperatura
- SMART: A bomba de calor completou sua tarefa principal, neste modo; a bomba de calor está em posição de manter a água da piscina de forma eficiente em termos energéticos. Ajustando automaticamente a velocidade do compressor e o ventilador, a bomba de calor proporciona um melhor retorno.
- SILENCIOSO: Nos meses de verão, quando a saída de calor é mínima necessária, a bomba de calor neste modo é ainda mais rentável. Benefício adicional; quando a bomba de calor esquenta. Ele vai com carga de ruído mínima.

## 4. Acessórios

### 4.1 Lista de acessórios

		
Base anti-vibração, 4 peças	Jacto de drenagem, 2 peças	Caixa de impermeável, 1 peça
		
Capa de inverno, 1 peça	Tubos de drenagem, 2 peças	10M Fio de sinal, 1 peça

## 4.2 Instalação de acessórios

	<p><b>Bases anti-vibração</b></p> <ol style="list-style-type: none"><li>1. Para viagem 4 bases anti-vibração</li><li>2. colocá-los um como yo neon parte inferior da maquina da imagem.</li></ol>
	<p><b>Jet drenando</b></p> <ol style="list-style-type: none"><li>1. Instale o jato de drenagem sob o painel de fundo</li><li>2. Conecte-se com um cano de água para drenar a água.</li></ol> <p>Nota :. Levante a bomba de calor para instalar o jet Nunca derrubar a bomba de calor, que pode danificar o compressor.</p>
	<p><b>Água entrada e saída de junção</b></p> <ol style="list-style-type: none"><li>1. Instale as duas articulações como os shows de imagem</li><li>2. Screw-os para a água entrada e saída de junção</li></ol>
	<p><b>Kabelbedrading</b></p> <ol style="list-style-type: none"><li>1. Open het deksel van de schakelkast</li><li>2. Bevestig de voedingskabel aan de aansluitpunten L N E.</li></ol>
	<p><b>Verkabelung der Wasserpumpe (Trockenkontakt)</b></p> <ol style="list-style-type: none"><li>1. Öffnen Sie die Abdeckung des Schaltkastens</li><li>2. Mit den Anschlüssen 1 und 2 können Sie die Wasserfiltration durch den Timer der Filtration steuern (Trockenkontakt).</li></ol>



### 4.3 Connection to the filtration pump

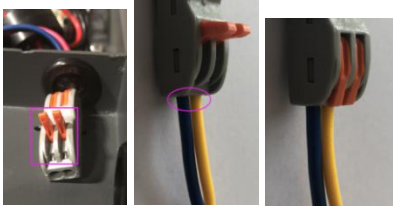
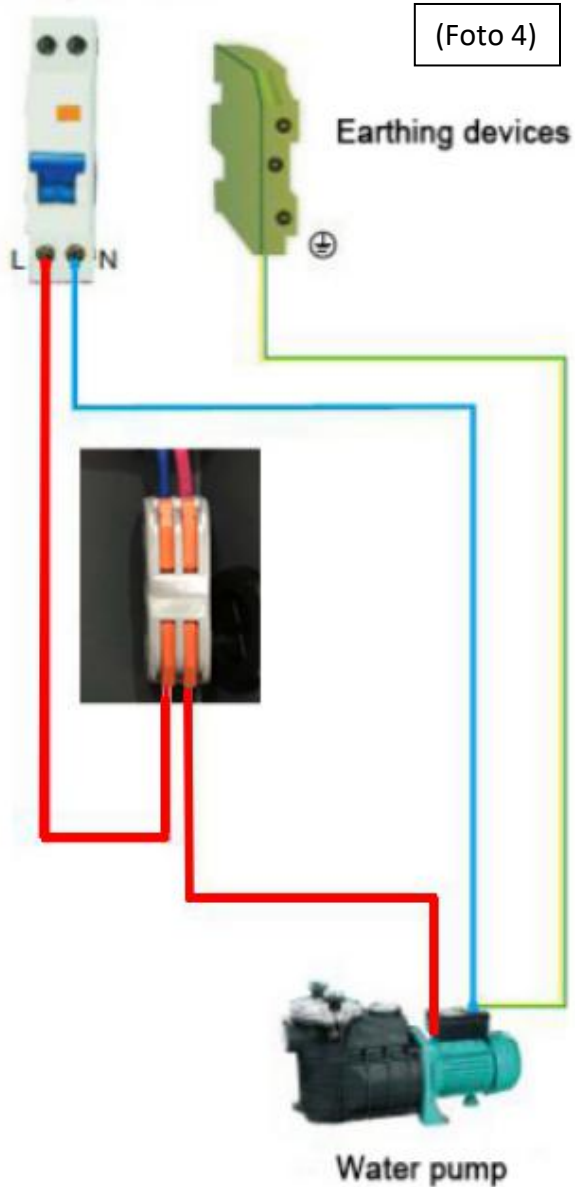


Foto 1 Foto 2 Foto 3

- Abra o botão para cima como (Foto 1)
- Conecte a fiação de contacto seco através dos dois orifícios como (Foto 2 & Foto 4)
- Pressione o botão e aperte a fiação como (Foto 3)

### Conexão da bomba de contacto seco

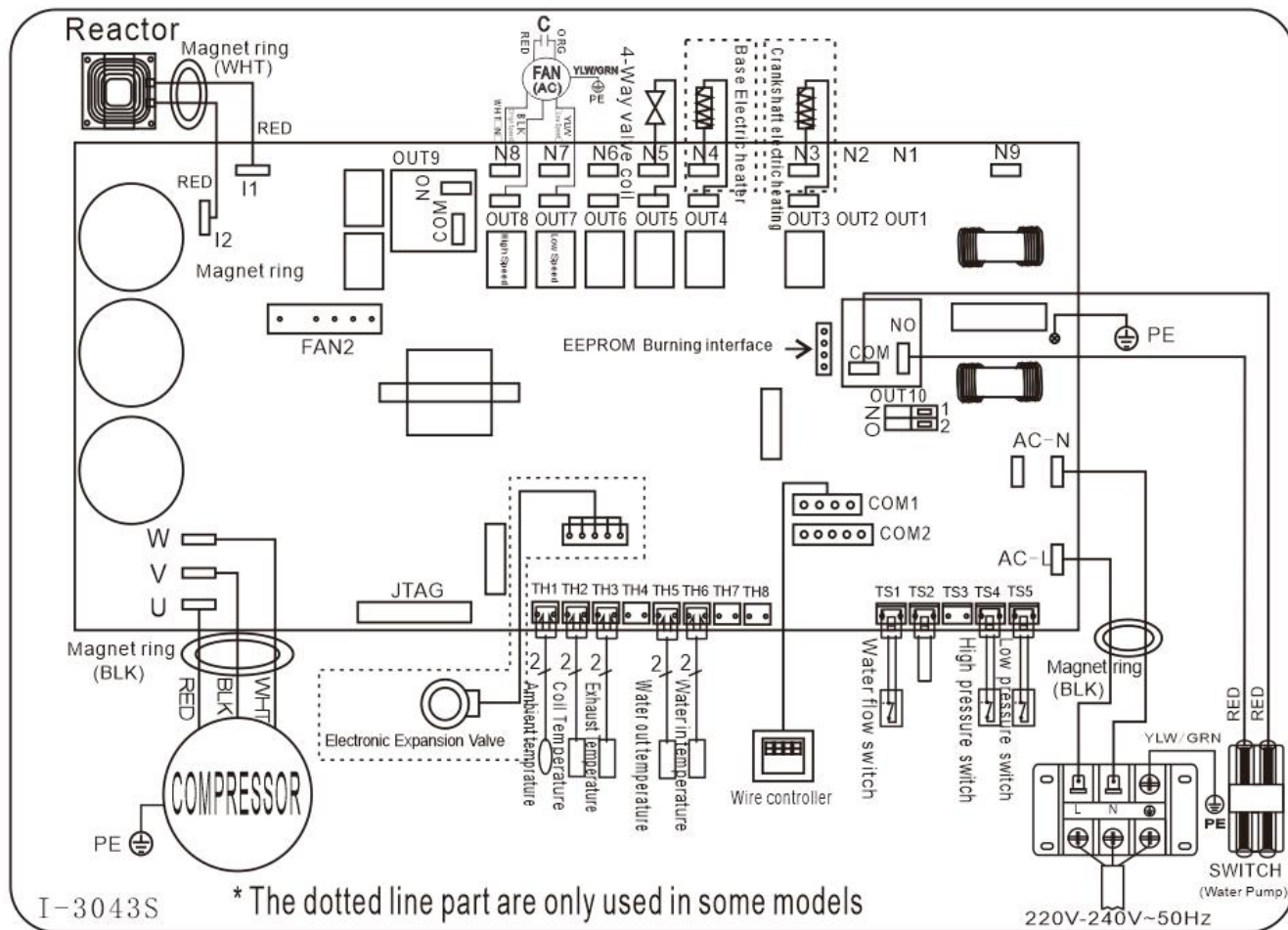
Leakage protector



## 5. Fiação elétrica

### 5.1 DIAGRAMA DE FIAÇÃO DA BOMBA DE CALOR DA PISCINA

VSN-10 / VSN-12 / VSN-15 / VSN-17 / VSN-21



#### NOTA:

(1) Acima do diagrama de fiação elétrica somente para sua referência, por favor a máquina sujeita postou o diagrama de fiação.

(2) A bomba de calor da piscina deve ser conectada bem fio terra, embora o trocador de calor da unidade é isolada eletricamente do resto da unidade. Arrastando a unidade ainda é necessária para protegê-lo contra curto-circuitos dentro da unidade. A colagem também é necessária.

**Desligar:** Os meios de desconexão (disjuntor, fusível ou fusível sem fusível) devem estar localizados à vista e facilmente acessíveis a partir da unidade. Esta é uma prática comum em bombas de calor comerciais e residenciais. Impede a remoção remota de energia de equipamentos desacompanhados e permite desligar a energia na unidade enquanto a unidade está sendo atendida.



## 5.2 Instalação do display deportado

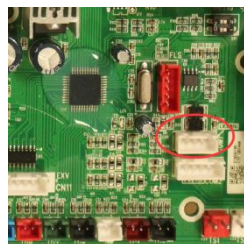
Foto(1)

Foto(2)

Foto(3)

Foto(4)

Foto(5)



- O lado com ficha liga-se ao painel de controlo (foto1)
- O outro lado do cabo de sinal. (foto2)
- Abra o painel dos terminais e coloque o lado sem plug através da caixa elétrica. (foto3,4)
- Insira a cablagem na posição designada na placa de circuito impresso. (código: COM 1 ou COM-L)(foto5)


## 6. Operação do controlador


### 6.1 Exibir operação do controlador, as chaves e suas operações





**NOTA:** Sempre que a bomba de calor se conecta à energia, o display LED mostra um código durante 3 segundos, que indica o modelo da bomba de calor.

#### 6.1.1 botão

Pressione  para iniciar a unidade de bomba de calor, o display de LED mostra a temperatura da água desejada por 5 segundos, em seguida, mostra a temperatura da água de entrada e o modo de operação.

Pressione  para parar a unidade de bomba de calor e mostrar "OFF"


Aviso: Durante a verificação e configuração de parâmetros, pressione  para sair rapidamente e salvar a configuração atual.


Pressione  novamente para ligar / desligar a máquina.

### 6.1.2 botão

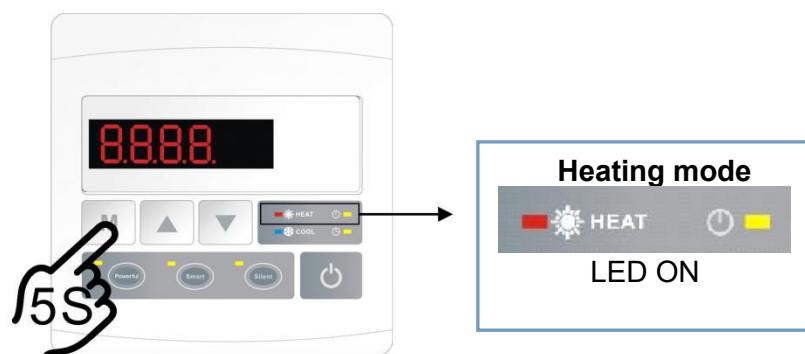
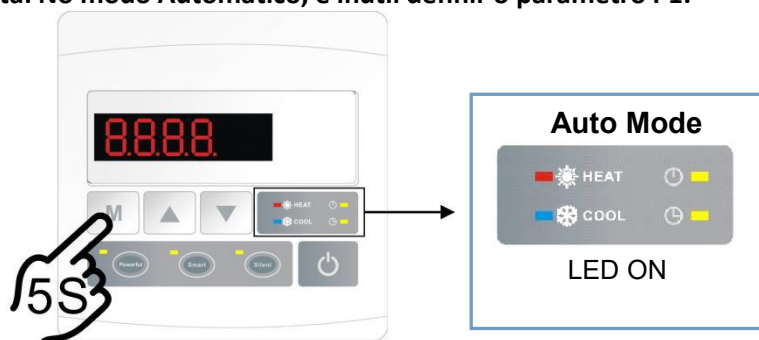
#### **Modo automático:**

Existem 3 opções de funcionamento, “apenas aquecimento”, modo “Auto”(interruptor de aquecimento e arrefecimento), e apenas arrefecimento.

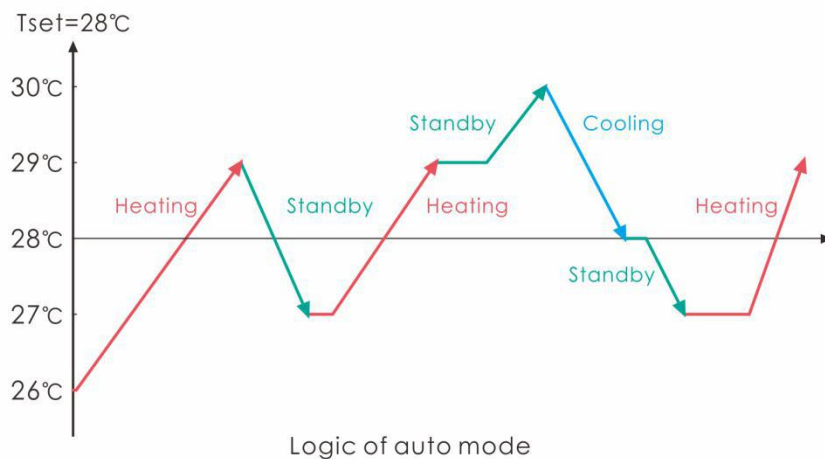
Pode-se alternar o modo “apenas aquecimento e “Auto” pressionando  por 5 segundos, independentemente de a unidade estar ligada ou desligada. (padrão: modo inteligente)

Pressione  por 5 segundos novamente para sair do modo automático e alternar para o modo de aquecimento (padrão: modo inteligente)

**Nota: No modo Automático, é inútil definir o parâmetro P1.**





#### **Lógica de operação do modo automático:**





### 6.1.3 e botão



#### **Bloquear / desbloquear o visor:**

Pressione simultaneamente  e  por 5 segundos para bloquear / desbloquear a tela.

#### **Temperatura da água:**

Pressione  ou  para definir a temperatura da água diretamente.

#### **Verificação de parâmetros:**

Prima  primeiro e depois prima  para verificar o parâmetro s de utilizador de d0 a d11

Código	Condição	Escopo	Observação
d0	Temperatura do molde IPM	0-120 °C	Valor real do teste
d1	Temperatura de Entrada de água.	-9 °C ~ 99 °C	Valor real do teste
d2	Temperatura de Saída de água.	-9 °C ~ 99 °C	Valor real do teste
d3	Temperatura ambiente.	-30 °C ~ 70 °C	Valor real do teste
d4	Código de limitação de frequência	0,1,2,4,8,16	Valor real do teste
d5	Temperatura do circuito	-30 °C ~ 70 °C	Valor real do teste
d6	Temperatura de exaustão do gás	0 °C ~ C5 °C (125 °C)	Valor real do teste
d7	Etapa do EEV	0 ~ 99	N * 5
d8	Freqüência de funcionamento do compressor	0 ~ 99Hz	Valor real do teste
d9	Corrente do compressor	0 ~ 30A	Valor real do teste
d10	Velocidade atual do ventilador	0-1200 (rpm)	Valor real do teste
d11	Último código de erro	Todo o código de erro	

#### **Nota: d4: Código de limitação de frequência**

**0:Sem limite de frequência,**

**1: Limite de temperatura da da bobina,**




**2: Limite de frequência de sobreaquecimento ou sobreaquecimento**



**4: Limite de frequência atual do inversor,**

**8: Limite de frequência de tensão de acionamento,**

**16:Limite de frequência de alta temperatura.**

Prima  primeiro e de seguida prima  para verificar os parâmetro do utilizador de P0 a P7

Se necessário, pressione  segunda e, em seguida, pressione  ou  para ajustar o parâmetro atual.

(por exemplo: Pressione  primeiro, depois pressione  para entrar na verificação do parâmetro P7, e

pressione  segunda, depois pressione  ou  para ajustar o parâmetro P7 Temperatura da entrada da água. Correção de -9 a 9.)

Código	Nome	Range	Padrão	Observação
P0	Degelo manual	0-1	0	1 modo de descongelamento manual, 0 modo normal
P1	Modo de trabalho	0-1	1	1 modo de aquecimento, 0 modo de arrefecimento
P2	Temporizador ON/OFF	0-1	0	1: Timer on/off está em função, 0: Timer on/off está fora de função (A configuração de P4 e P5 não funcionará)
P3	Bomba de circulação	0-1	0	1 sempre em funcionamento, 0 depende do funcionamento do compressor
P4	Hora atual	HH:MM	00:00	<u>0-23:0-59</u>
P5	Timer on	HH:MM	00:00	<u>0-23:0-59</u>
P6	Temporizador off	HH:MM	00:00	<u>0-23:0-59</u>
P7	Calibração da temp. De entrada de água.	-9~9	0	Configuração padrão: 0

**NOTA: No modo de descongelamento, P0 = 1.**

**Após o término do descongelamento, entrará automaticamente no modo Normal, P0 = 0.**

#### 6.1.4 Função de reset do sistema

Pressione  e  em 10s, o sistema irá resetar e exibir "0000" no controlador.

#### 6.1.5





Símbolo de aquecimento, a luz estará acesa quando estiver em operação.  
Ao descongelar, a luz piscará.

#### 6.1.6



Símbolo de resfriamento, a luz estará acesa quando estiver em operação.

**Nota: Quando o parâmetro P1 estiver em verificação / ajuste,  e  estará piscando ao mesmo tempo.**

#### 6.1.7



Símbolo de parada automática, a luz estará acesa quando estiver em operação.

#### 6.1.8



Símbolo de partida automática, a luz estará acesa quando estiver em operação.

#### 6.1.9



Pressione o botão "Powerful", a luz ficará piscando, a bomba de calor operará somente em "Full output".

#### 6.1.10



Se escolher "Smart", a bomba de calor funcionará apenas em "Medium output" e "Full output"  
Quando em "Saída média", a luz do Smart pisca.  
Quando em "Full output", a luz Smart estará acesa e a luz de "Powerful" estará piscando.



### 6.1.11

Escolhendo o modo “Silent”, a bomba de calor irá operar apenas em “Medium output” e “Small output”  
 Quando em 'Small output', a luz do Silent piscará.  
 Quando em " Medium output ", a luz do “Silent” acende, e a luz do Smart ficará piscando.

## 6.2 Lógica de operação de aquecimento

Status de trabalho	Modo de trabalho	Água em temperatura T1	Por exemplo, água na temperatura T1	Nível de funcionamento da bomba de calor	
1	Arranque da bomba de calor	SMART	$T1 < Tset-1$	$T1 < 27^{\circ}C$	Modo “Powerfull” - frequência F9
2			$Tset-1 \leq T1 < Tset$	$27^{\circ}C \leq T1 < 28^{\circ}C$	Frequência: F9-F8-F7, ...-F2
3			$Tset \leq T1 < Tset+1$	$28^{\circ}C \leq T1 < 29^{\circ}C$	Modo “Silent”-frequência F2
4			$T1 \geq Tset+1$	$T1 \geq 29^{\circ}C$	A BC estará em standby, parada até que a temperatura da água caia para menos de $28^{\circ}C$ .
5	Arranque da bomba de calor	SILENT	$T1 < Tset$	$T1 < 28^{\circ}C$	Modo “Smart” - frequência F5.
6			$Tset \leq T1 < Tset+1$	$28^{\circ}C \leq T1 < 29^{\circ}C$	Frequência de modo “Silent” F2 / F1.
7			$T1 \geq Tset+1$	$T1 \geq 29^{\circ}C$	BC estará em modo standby, parada até que a temperatura da água caia para menos de $28^{\circ}C$ .
8	Arranque da bomba de calor	POWERFUL	$T1 < Tset+1$	$T1 < 29^{\circ}C$	Modo “Powerfull” frequência F10 / F9
9			$T1 \geq Tset+1$	$T1 \geq 29^{\circ}C$	BC estará em modo standby, parada até que a temperatura da água caia para menos de $28^{\circ}C$ .
10	Reiniciar para aquecer desde status standby	SMART	$T1 \geq Tset$	$T1 \geq 28^{\circ}C$	Standby
11			$Tset > T1 \geq Tset-1$	$28^{\circ}C > T1 \geq 27^{\circ}C$	F2 de frequência “Silent”
12			$Tset-1 > T1 \geq Tset-2$	$27^{\circ}C > T1 \geq 26^{\circ}C$	Frequência: F2-F3-F4, ..., - F9
13			$< Tset-2$	$< 26^{\circ}C$	Frequência “Powerfull” F9
14		SILENT	$\geq Tset$	$\geq 28^{\circ}C$	Standby
15			$Tset > T1 \geq Tset-1$	$28^{\circ}C > T1 \geq 27^{\circ}C$	Modo “Silent” - frequência F2 / F1
16			$T1 < Tset-1$	$T1 < 27^{\circ}C$	Frequência “Smart” F5
17	POWERFUL	$T1 < Tset-1$	$T1 < 27^{\circ}C$	Frequência “Powerfull” F10 / F9	

### 6.3 Lógica de operação de refrigeração

Status de trabalho	Modo de trabalho	Água em temperatura T1	Por exemplo, a água na temperatura T1	Nível de funcionamento da bomba de calor
1	SMART	$T1 \leq Tset-1$	$T1 \leq 27^{\circ}C$	Standby
2		$Tset-1 < T1 \leq Tset$	$27^{\circ}C < T1 \leq 28^{\circ}C$	“Silent” - frequência F2
3		$Tset < T1 \leq Tset+1$	$28^{\circ}C < T1 \leq 29^{\circ}C$	Frequência: F9-F8-F7, ..., - F2
4		$T1 \geq Tset+1$	$T1 \geq 29^{\circ}C$	“Powerful” - F9
5	SILENT	$T1 \leq Tset-1$	$\leq 27^{\circ}C$	Standby
6		$Tset-1 < T1 \leq Tset$	$27^{\circ}C < T1 \leq 28^{\circ}C$	“Silent” - frequência F2/F1
7		$T1 > Tset$	$T1 > 28^{\circ}C$	“Smart” - frequência F5
8	POWERFUL	$T1 > Tset-1$	$T1 > 27^{\circ}C$	“Powerful” - frequência F10/F9
9		$T1 \leq Tset-1$	$T1 \leq 27^{\circ}C$	Standby
10	SMART	$T1 \leq Tset-1$	$T1 \leq 27^{\circ}C$	Standby
11		$Tset \leq T1 < Tset+1$	$28^{\circ}C \leq T1 < 29^{\circ}C$	“Silent” - frequência F2
12		$Tset+1 \leq T1 < Tset+2$	$29^{\circ}C \leq T1 < 30^{\circ}C$	Frequência: F2-F3-F4, ..., - F9
13		$T1 \geq Tset+2$	$T1 \geq 30^{\circ}C$	“Powerful” - frequência F9
14	SILENT	$Tset < T1 \leq Tset+1$	$28^{\circ}C < T1 \leq 29^{\circ}C$	“Silent” - frequência F2/F1
15		$T1 > Tset+1$	$T1 > 29^{\circ}C$	“Smart” - frequência F5
16	POWERFUL	$T1 > Tset+1$	$T1 > 29^{\circ}C$	“Powerful” - frequência F10 / F9
17		$T1 \leq Tset-1$	$T1 \leq 27^{\circ}C$	Standby

#### 6.4 Prioridade de aquecimento (consulte o parágrafo 6.4), opção de conexão

##### Opção 1: A bomba de água está relacionada com a operação da bomba de calor para iniciar ou parar.

A bomba de água começa a 60s antes do compressor, a bomba de água inicial 30s e depois detecta o fluxo de água. Antes de a bomba de calor entrar no modo de espera, o compressor para primeiro e após 5 minutos a bomba de filtração para.

	Condição	Exemplo	Lógica de trabalho da bomba de água	
Modo de aquecimento	$P3=0,$ $T1 \geq T_{set}-0.5^{\circ}\text{C},$ dura 30 minutos	$P3=0,$ $T1 \geq 27.5^{\circ}\text{C},$ dura 30 minutos	1. Em seguida, entra no modo de espera por 1 hora (não será reiniciado, exceto ativá-lo manualmente.)	2. Após 1 hora, a bomba de filtração será reiniciada por 5 minutos. Se o $T1 \leq 27^{\circ}\text{C}$ , a bomba de calor começará a funcionar até $T1 \geq 27,5^{\circ}\text{C}$ e durará 30 minutos para entrar em modo de espera
Modo de refrigeração	$P3=0,$ $T1 \leq T_{set}+0.5^{\circ}\text{C}$ , durar 30 minutos	$P3=0,$ $T1 \leq 28.5^{\circ}\text{C},$ durar 30 minutos	1. Em seguida, entra no modo de espera por 1 hora (não será reiniciado, exceto ativá-lo manualmente.)	2. Após 1 hora, a bomba de filtração será reiniciada por 5 minutos. Se $T1 \geq 29^{\circ}\text{C}$ , a bomba de calor começará a funcionar até $T1 \leq 28,5^{\circ}\text{C}$ e durará 30 minutos para entrar em modo de espera

##### Opção 2; P3 = 1 A bomba de filtração está sempre ligada, P2 = 0 a função do temporizador não está ativa

Sob a condição  $P3 = 1$ , quando  $T1 + T_{set} + 1^{\circ}\text{C}$  ( $T1 \geq 29^{\circ}\text{C}$ ) duram 3 minutos, a bomba de calor fica em modo de espera, enquanto a bomba de filtração está sempre ligada.

##### Na opção 2, com ativação do cronômetro; P2 = 1 para iniciar e parar a bomba de filtração de acordo com a programação de P4 (tempo), P5 (temporizador LIGADO) e P6 (temporizador DESLIGADO)

Se a bomba de calor for LIGADA / DESLIGADA manualmente, a bomba de filtração iniciará e parará de acordo.

##### Condição para o início da bomba de calor, o temporizador ON é ativado;

Quando o temporizador atingir o tempo definido de TIMER ON, a bomba de filtração será iniciada e após 5 minutos a bomba de calor será iniciada. A bomba de calor permanece parada se a temperatura da água for  $\geq T_{set} + 1^{\circ}\text{C}$ , antes do TIMER OFF, a filtração ainda está ativada.

##### Condição para parar a bomba de calor, o timer OFF é ativado;

Quando o temporizador atinge o tempo definido do TIMER OFF, a bomba de calor para e após 5 minutos a bomba de filtração para.

**NOTA:**  $T_{set}$  = Tsetting temperatura da água

For example :  $T_{set} = 28^{\circ}\text{C}$  Tsetting temperatura da água na sua bomba de calor da piscina

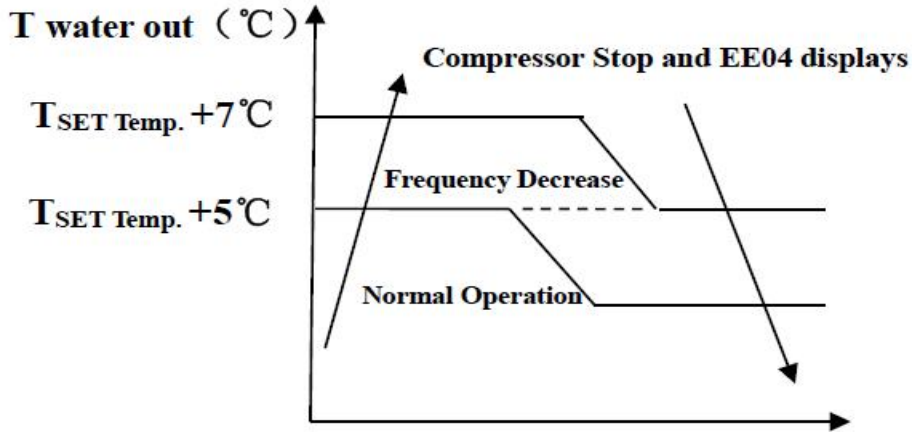
$T_{set}-0.5$  = less  $0.5^{\circ}\text{C}$  than Tsetting temperatura ,  $T_{set}-0.5 = 28-0.5=27.5^{\circ}\text{C}$

$T_{set}+0.5$ = more  $0.5^{\circ}\text{C}$  than Tsetting temperatura ,  $T_{set}+0.5 = 28+0.5=28.5^{\circ}\text{C}$

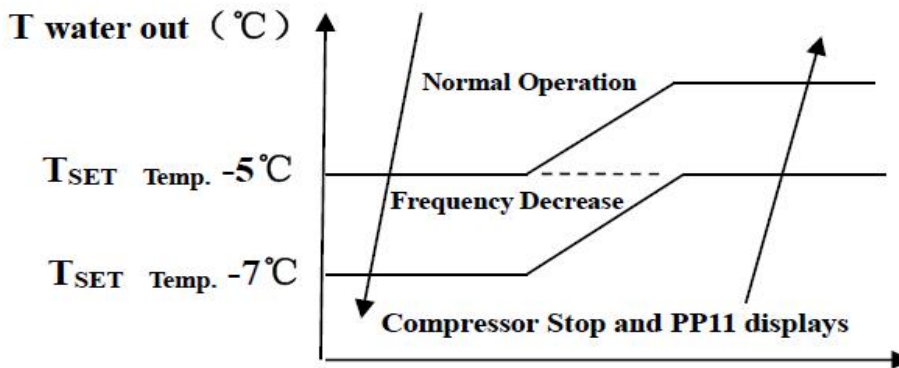
### 6.5 Proteção da unidade

#### Observações:

1. No modo de aquecimento, se a temperatura de saída de água for maior que a temperatura definida acima de 7 °C, o controlador exibirá EE04 para proteção contra superaquecimento de água.
2. No modo de refrigeração, se a temperatura de saída de água for inferior à temperatura definida, acima de 7 °C, o controlador exibirá PP11 para proteção contra resfriamento excessivo de água.



EE04 Proteção Contra Superaquecimento da Água



PP11 Proteção contra arrefecimento excessivo de água

Por exemplo:

Modo	Água fora de temperatura	Temperatura de ajuste	Condição	Defeituoso
Modo de aquecimento	36°C	29°C	$T_{out} - T_{set} \cong 7^{\circ}\text{C}$	EE04 Protecção contra superaquecimento da água (d2-TH5)
Modo de arrefecimento	23°C	30°C	$T_{set} - T_{out} \cong 7^{\circ}\text{C}$	PP11 Protecção contra temperatura da água muito baixa (d2-TH5)



## 7. Solução de problemas

### 7. 1 Exibição de código de erro no controlador de fio de LED

Mau funcionamento	Erro de código	Razão	Solução
Falha no sensor de temperatura da água de entrada d1-TH6	PP01	1. Sensor em circuito aberto ou em c.circ. 2. O cabo do sensor está solto	1. Verifique ou mude o sensor 2.Reaperte cablagem dos sensores
Falha do sensor de temperatura da água de saída d2-TH5	PP02	1. Sensor em circuito aberto ou em c.circ. 2. O cabo do sensor está solto	1. Verifique ou mude o sensor 2.Reajuste a fiação dos sensores
Falha no sensor da tubulação de aquecimento d5-TH2	PP03	1. Sensor em circuito aberto ou em c.circ. 2. O cabo do sensor está solto	1. Verifique ou mude o sensor 2.Reajuste a fiação dos sensores
Falha do sensor de temperatura ambiente d3-TH1	PP05	1. Sensor em circuito aberto ou em c.circ. 2. O cabo do sensor está solto	1. Verifique ou mude o sensor 2.Reajuste a fiação dos sensores
Falha do sensor da tubulação de exaustão d6-TH3	PP06	1. Sensor em circuito aberto ou em c.circ. 2. O cabo do sensor está solto	1. Verifique ou mude o sensor 2.Reajuste a fiação dos sensores
Protecção anti congelamento no inverno	PP07	Temperatura ambiente ou temperatura de entrada de água é muito baixa	Protecção normal
Protecção - Baixa temperatura ambiente	PP08	1.Para além do âmbito de funcionamento 2. Anormalidade do sensor	1. Parar de usar, está para além do âmbito de funcionamento 2.Substituir o sensor
Falha por alta pressão TS4	EE01	1. A temperatura ambiente é muito alta 2. A temperatura da água é muito alta 3. O caudal de água é muito baixo	1. Verificar o fluxo de água e a bomba de circulação de água 2.Verificar o motor do ventilador 3. Verificar e reparar o sistema hidráulico
Falha de baixa pressão TS5	EE02	1. A válvula electrónica de expansão (EEV) bloqueou, ou o sistema hidráulico está bloqueado. 2. A velocidade do motor é anormal ou o motor está danificado 3. Fuga de gás	1. Verificar o sistema de EEV e de tubulação Verifique o motor 2. Através do manómetro de alta pressão, verificar o valor da pressão

<b>Mau funcionamento</b>	<b>Erro de código</b>	<b>Razão</b>	<b>Solução</b>
Falha de fluxo de água TS1	EE03 Or" ON"	<ol style="list-style-type: none"> <li>1. Interruptor de fluxo de água está danificado</li> <li>2. Não existe caudal de água ou é insuficiente.</li> <li>3. Interruptor de fluxo montado da maneira ruim.</li> </ol>	<ol style="list-style-type: none"> <li>1. Trocar o interruptor de fluxo de água</li> <li>2. Verificar a bomba de água ou o sistema hidráulico</li> <li>3. Verifique a posição do interruptor de fluxo de acordo com a direção do fluxo de água.</li> </ol>
Protecção Sobreaquecimento temp. da água (d2-TH5) no modo de aquecimento	EE04	<ol style="list-style-type: none"> <li>1. Baixo fluxo de água</li> <li>2. O interruptor de fluxo de água está bloqueado e/ou circuito hidráulico interrompido</li> <li>3. Anomalia no sensor d2-TH5</li> </ol>	<ol style="list-style-type: none"> <li>1. Verificar o circuito hidráulico</li> <li>2. Verificar a bomba de água e o estado do interruptor de fluxo de água</li> <li>3. Verificar sensor de temp. d2-TH5 e se necessário substituir.</li> </ol>
Protecção Sonda de temperatura de descarga d6-TH3 muito alta	EE05	<ol style="list-style-type: none"> <li>1. Falta de gás</li> <li>2. Baixo fluxo de água</li> <li>3. Piping system foi bloqueado</li> <li>4. Falha do sensor de Temp. de descarga.</li> </ol>	<ol style="list-style-type: none"> <li>1. Verificar o manómetro de alta pressão. Se estiver muito baixo, preencha com algum gás.</li> <li>2. Verifique o sistema hidráulico e a bomba de água</li> <li>3. Verificar se existe algum bloqueio</li> <li>4. Substituir sensor de temp de descarga</li> </ol>
Falha do controlador	EE06	<ol style="list-style-type: none"> <li>1. Fios danificados ou conexões deficientes.</li> <li>2. Falha do controlador</li> </ol>	<ol style="list-style-type: none"> <li>1. Verificar e refazer as conexões dos cabos de sinal</li> <li>2. Substituir cabos de sinal</li> <li>3. Cortar a alimentação eléctrica e reinicie a máquina.</li> <li>4. Substituir o controlador</li> </ol>
Protecção – corrente do compressor	EE07	<ol style="list-style-type: none"> <li>1. Corrente do compressor é instantaneamente muito elevada.</li> <li>2. Conexão incorrecta para sequência de fase do compressor</li> <li>3. Acumulações de líquido e óleo no compressor levam aumento da corrente.</li> <li>4. Compressor ou placa de controlo danificados.</li> <li>5. O fluxo de água anormal</li> <li>6. Flutuações na alimentação dentro de um curto período de tempo</li> </ol>	<ol style="list-style-type: none"> <li>1. Verificar o compressor</li> <li>2. Verificar o sistema hidráulico</li> <li>3. Verificar se a alimentação está dentro do intervalo admissível.</li> <li>4. Verificar a conexão da sequência de fase</li> </ol>
Falha de comunicação entre o controlador e a placa principal	EE08	<ol style="list-style-type: none"> <li>1. Conexão deficiente ou cabo de sinal danificado</li> <li>2. Mau funcionamento do controlador</li> </ol>	<ol style="list-style-type: none"> <li>1. Verifique e refaça a conexão do cabo de sinal</li> <li>2. Substituir cabo de sinal</li> <li>3. Desligue o fornecimento de electricidade e reinicie a máquina</li> <li>4. Substituir controlador</li> </ol>
Falha de comunicação entre a placa principal e a placa de controlo	EE09	<ol style="list-style-type: none"> <li>1. Conexão deficiente do cabo de comunicação</li> <li>2. Cabo danificado</li> </ol>	<ol style="list-style-type: none"> <li>1. Verifique a ligação do cabo</li> <li>2. Substituir cabo</li> </ol>
Protecção - VDC muito alta	EE10	<ol style="list-style-type: none"> <li>1. Tensão da linha mãe é muito alta</li> <li>2. A placa de controlo está danificada.</li> </ol>	<ol style="list-style-type: none"> <li>1. Verifique se a alimentação está no intervalo normal</li> <li>2. Substituir a placa de controlo ou a placa principal</li> </ol>

<b>Mau funcionamento</b>	<b>Erro de código</b>	<b>Razão</b>	<b>Solução</b>
Protecção do módulo IPM (Inverter Power Module)	EE11	<ol style="list-style-type: none"> <li>1. Erro de dados</li> <li>2. Conexão incorrecta da fase do compressor</li> <li>3. O líquido do compressor e a acumulação de óleo, levam a que a corrente aumente</li> <li>4. Compressor ou placa de controlo danificada</li> </ol>	<ol style="list-style-type: none"> <li>1. Erro de programa, desligue o fornecimento de electricidade e reinicie após 3 minutos</li> <li>2. Verifique a conexão/sequência das fases ao compressor</li> <li>3. Verifique a pressão do sistema pelo manómetro</li> <li>4. Verifique se a temperatura ambiente e da água está alta demais</li> <li>5. Trocar a placa de controlo</li> </ol>
Protecção - VDC muito baixa	EE12	<ol style="list-style-type: none"> <li>1. Tensão da linha mãe é muito baixa</li> <li>2. A placa de controlo está danificada.</li> </ol>	<ol style="list-style-type: none"> <li>1. Verifique se a energia está no intervalo normal</li> <li>2. Trocar a placa de controlo</li> </ol>
Protecção - Corrente de entrada alta.	EE13	<ol style="list-style-type: none"> <li>1. A corrente do compressor é momentaneamente muito elevada</li> <li>2. O fluxo de água é anormal</li> <li>3. Flutuações de energia dentro de um curto período de tempo</li> <li>4. Indutor PFC errado</li> </ol>	<ol style="list-style-type: none"> <li>1. Verifique o compressor</li> <li>2. Verifique o sistema hidráulico</li> <li>3. Verifique se a energia está na faixa normal</li> <li>4. Verifique se o indutor PFC é o correcto</li> </ol>
Erro de saída do circuito de detecção de temperatura do módulo IPM (Inverter Power Module)	EE14	<ol style="list-style-type: none"> <li>1. Anomalia no Output do circuito térmico do módulo IPM</li> <li>2. O motor do ventilador está com anomalias ou danificado</li> <li>3. Lâmina do ventilador está danificada</li> </ol>	<ol style="list-style-type: none"> <li>1. Trocar a placa de controlo</li> <li>2. Verificar se a velocidade do motor está muito baixa ou se o motor do ventilador está danificado, trocar se necessário</li> <li>3. Trocar pás do ventilador</li> </ol>
Protecção - Temperatura elevada do módulo IPM	EE15	<ol style="list-style-type: none"> <li>1. Output exception do circuito de detecção de temperatura do módulo IPM</li> <li>2. Motor está com anomalia ou danificado</li> <li>3. Pás do ventilador, danificadas</li> </ol>	<ol style="list-style-type: none"> <li>1. Trocar uma placa de controlo</li> <li>2. Verificar se a velocidade do motor do ventilador está muito baixa ou se o motor do ventilador está danificado, trocar se necessário</li> <li>3. Trocar as pás do ventilador</li> </ol>
Protecção do módulo PFC	EE16	<ol style="list-style-type: none"> <li>1. Output exception do módulo PFC</li> <li>2. Motor com anomalias ou danificado</li> <li>3. Pás do ventilador, danificadas</li> <li>4. Salto de tensão de entrada, a potência de entrada é anormal</li> </ol>	<ol style="list-style-type: none"> <li>1. Alterar uma placa de controlo</li> <li>2. Verifique se a velocidade do motor está muito baixa ou se o motor do ventilador está danificado, trocar se necessário</li> <li>3. Trocar as pás do ventilador</li> <li>4. Verificar a tensão de entrada</li> </ol>
Falha do motor do ventilador DC	EE17	<ol style="list-style-type: none"> <li>1. O motor DC está danificado</li> <li>2. Para a máquina trifásica, verifique se o neutro está conectado</li> <li>3. A placa principal ou a placa de acionamento do motor do ventilador está danificada</li> <li>4. As pás do ventilador estão presas</li> </ol>	<ol style="list-style-type: none"> <li>1. Verificar o motor DC, substituir se necessário</li> <li>2. Verifique a conexão da fiação da máquina trifásica</li> <li>3. Trocar placa principal ou uma placa de acionamento do motor do ventilador</li> <li>4. Eliminar o bloqueio das pás</li> </ol>

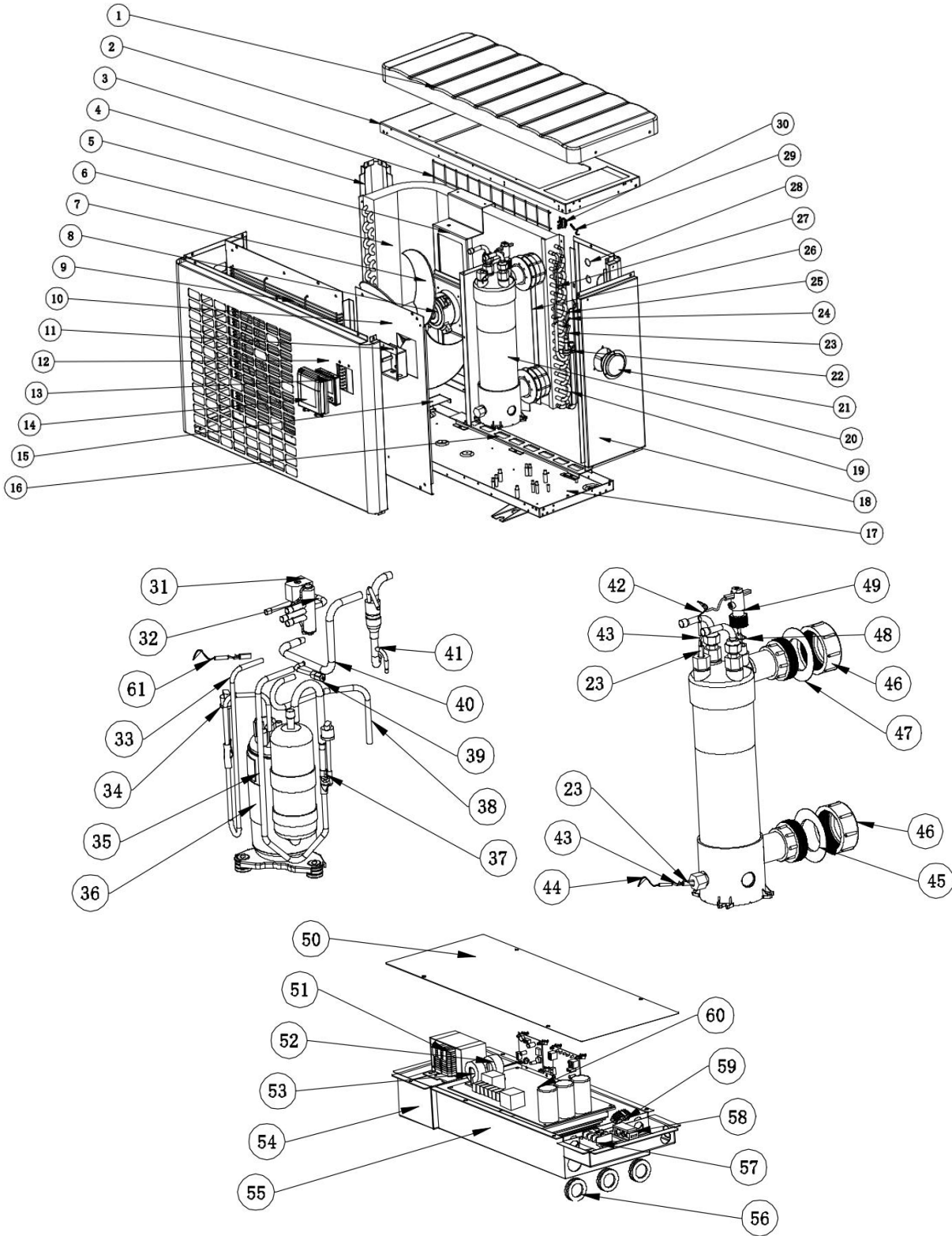
## 7.2 Outros defeitos e soluções (sem display no controlador de cabos LED)

Mau funcionamento	Erro de código	Razão	Solução
Falha do circuito interno de detecção de temperatura do módulo PFC	EE18	A placa de controlo está danificada	1.Trocar placa de controlo 2. Verificar se a velocidade do motor do ventilador está muito baixa ou se o motor do ventilador está danificado, trocar se necessário.
Protecção-temperatura elevada do módulo PFC	EE19	1. Anomalia na saída do circuito térmico do módulo PFC 2. Motor está com anomalia ou danificado 3.Pás do ventilador, danificadas 4.O parafuso na placa de controlo não está apertado	1. Trocar placa de controlo 2. Verificar se a velocidade do motor está muito baixa ou se o motor do ventilador está danificado, trocar se necessário 3. Trocar as pás do ventilador 4. Verifique se o parafuso está solto
Falha de energia de entrada	EE20	A tensão de alimentação flutua demasiado	Verifique se a voltagem está estável
Erro no controlo de software	EE21	1. Compressor funciona fora de fase 2. Programa incorrecto 3.Impurezas dentro do compressor causa instabilidade na velocidade de rotação	1. Verificar a placa principal e substituir se necessário 2. Introduzir o software correcto
Falha no circuito de detecção de corrente.	EE22	1. Sinal de tensão anormal 2. A placa de controlo está danificada 3. Falha na placa principal	1. Verificar a placa principal e substituir se necessário 2. Trocar placa de controlo
Falha no arranque do compressor	EE23	1. A placa principal está danificada 2. Erro na cablagem do compressor ou mau contacto ou desconectado 3. Acumulação de líquido no interior 4.Conexão de fase errada	1. Verifique a placa principal e trocar se necessário 2.Verificar a cablagem do compressor de acordo com o diagrama de circuito 3.Verificar o compressor, trocar se necessário
Erro placa de controlo-temperatura ambiente	EE24	Falha do dispositivo de temperatura ambiente	Trocar placa de controlo ou placa principal
Falha de fase do compressor	EE25	U, V, W conectados a uma fase ou a duas fases.	Verificar se as ligações estão de acordo com o diagrama de circuito
Falha de inversão de válvula de quatro vias	EE26	1.Falha de inversão na válvula de quatro vias 2. Falta de refrigerante (não detecta mau funcionamento do d5-TH2 ou d3-TH1)	1. Mudar para o modo de refrigeração para verificar a válvula de 4 vias se esta tiver sido invertida correctamente 2. Trocar válvula de 4 vias 3. Encha com gás
Erro de leitura de dados da EEPROM	EE27	1.Dados errados da EEPROM no programa ou falha na entrada de dados da EEPROM 2. Falha da placa principal	1.Reinserir os dados correctos da EEPROM 2.Trocar placa principal
A falha de comunicação entre chips na placa principal	EE28	Falha da placa principal	1.Desligue a alimentação eléctrica e reinicie a máquina 2.Trocar a placa principal

<b>Mau funcionamento</b>	<b>Observando</b>	<b>Razão</b>	<b>Solução</b>
Bomba de calor não está a funcionar	Controlador não exhibe nada no display nenhuma exibição.	Nenhuma fonte de alimentação	Verifique se o cabo e o disjuntor estão ligados
	Controlador exhibe a hora real.	Bomba de calor em standby	Inicializar a bomba de calor para funcionar.
	Controlador exhibe a temperatura real da água.	1.A temperatura da água está a chegar ao valor de ajuste, a bomba de calor encontra-se em estado de temperatura constante. 2.A bomba de calor está a começar a funcionar. 3. Em descongelação.	1. Verifique a configuração da temperatura da água. 2. Inicie a bomba de calor depois de alguns minutos. 3. O controlador deve exhibir "Descongelamento".
A água arrefece quando a BC funciona em modo de aquecimento	O controlador exhibe a temperatura real da água e nenhum indicador de código de erro.	1. Escolha o modo errado. 2. Figuras mostram defeitos. 3. Defeito do controlador.	1. Ajustar o modo para o funcionamento correto 2. Substituir o controlador e em seguida, verifique o status após alterar o modo de operação, verificando a temperatura de entrada e saída da água. 3. Substituir ou reparar a bomba de calor
Corrida curta	O controlador exhibe a temperatura real da água, nenhum código de erro é exibido	1. Ventilador NÃO está a funcionar. 2. Ventilação de ar não é suficiente. 3. O refrigerante não é suficiente.	1. Verifique as conexões do cabo entre o motor e o ventilador, se necessário, deve ser substituído. 2. Verifique a localização da bomba de calor e elimine todos os obstáculos para obter uma boa ventilação do ar. 3 Substitua ou repare a bomba de calor.
Manchas na água	Manchas de água na bomba de calor.	1. Cobertura protecção. 2. Fuga de água.	1. Nenhuma acção. 2. Verifique o permutador de calor de titânio com cuidado e se há algum defeito ou fuga.
Muito gelo no evaporador	Muito gelo no evaporador.		1. Verifique a localização da bomba de calor e elimine todos os obstáculos para obter uma boa ventilação do ar. 2. Substitua ou repare a bomba de calor.

# 8. Diagrama Explodido

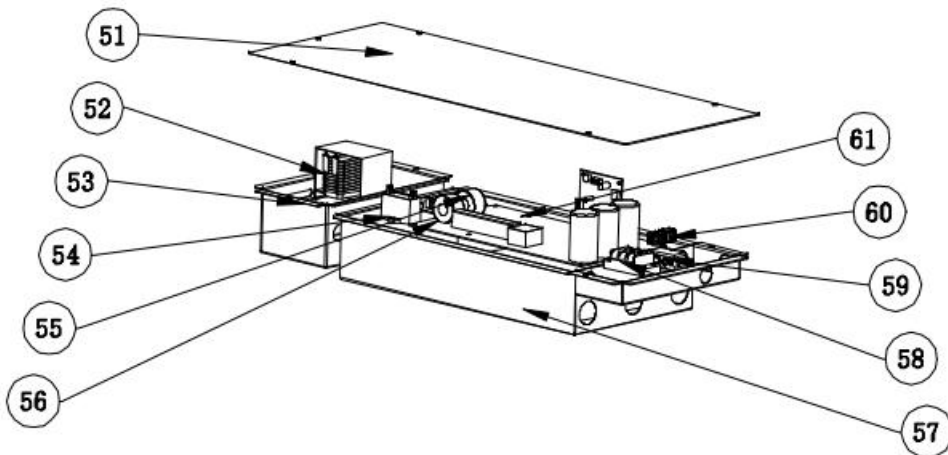
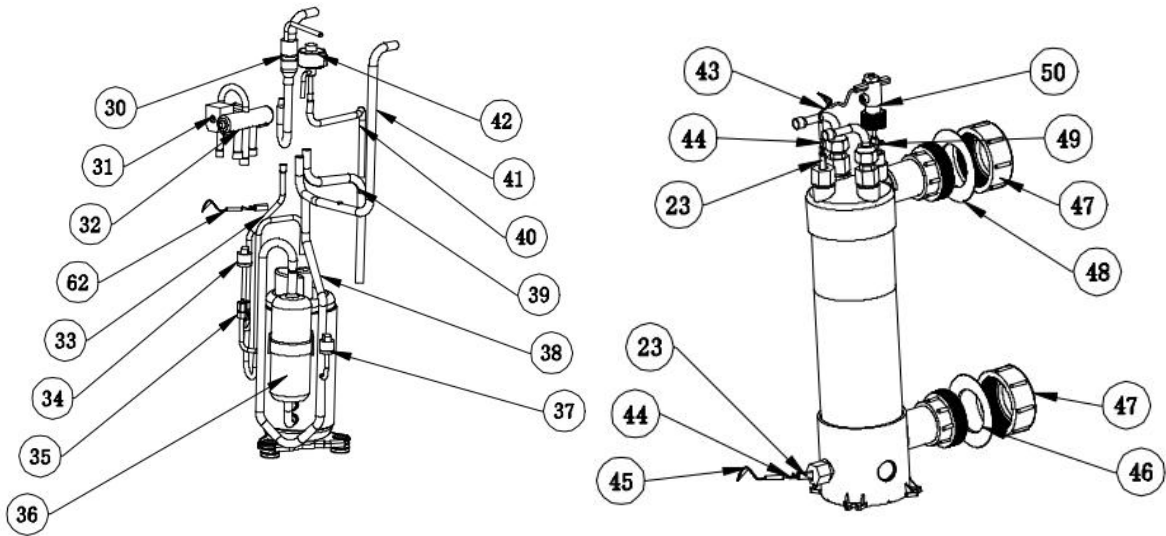
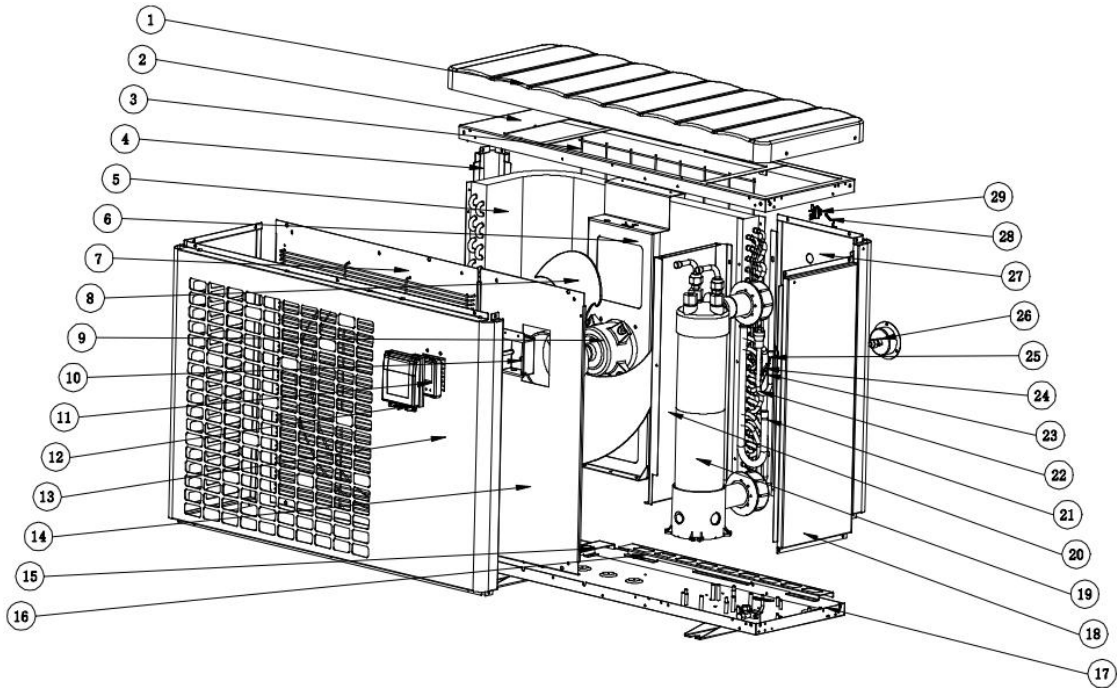
Model: VSN-10



## Spare parts list: VSN-10

NO	ERP	Spare parts	NO	ERP	Spare parts
1	133340015	Tampa superior	32	121000037	Bobina de válvula de quatro vias
2	108830029	Quadro superior	33	113010335	Tubo de escape
3	108830014	Grelha de volta	34	112100030	Interruptor de alta pressão
4	108830055	Pilar	35	113020444	Tubulação de retorno de gás
5	108830054	Suporte do motor do ventilador	36	101000187	Compressor
6	103000271	Evaporador	37	112100046	Interruptor de baixa pressão
7	113600007	Lâmina da ventoínha	38	113060157	Tubo
8	112000069	Motor de ventilador	39	120000098	Válvula de sucção
9	108830057	Conjunto do painel frontal	40	113030150	Válvula de 4 vias para trocador
10	108830024	Painel de manutenção	41	113090091	Trocador para Capilar
11	133030011	Caixa do controlador	42	117110012	Água em temp. sensor d1-TH6
12	108830058	Painel frontal	43	108010025	Clipe do sensor de temperatura do permutador
13	117020212	Controlador	44	117110011	Água fora temp. sensor d2-TH5
14	113712007	Tampa do controlador	45	133020011	Anel de borracha azul
15	108830004	Almofada do evaporador	46	102050004	Conjuntos de conexão de água
16	108830005	Almofada do evaporador	47	133020012	Anel de borracha vermelha
17	108830001	Bandeja base	48	133020026	Anel de vedação
18	108830059	Painel direito	49	112100021-3	Interruptor de fluxo de água
19	103000271	Tubulação coletiva	50	108830031	Tampa da caixa elétrica
20	103000271	Trocador de calor de titânio	51	117230003	Reactor
21	106000011	Medidor de pressão	52	117240002	Anel magnético
22	136020018	Borracha	53	117240003	Anel magnético
23	113190001	grampo	54	108830026	Caixa reactor
24	113190007	Tubo de revestimento do sensor	55	108830030	Caixa elétrica
25	117110004	Pipe temp. sensor d5-TH2	56	136020119	Anel de borracha
26	108830003	Painel de isolamento	57	115000002	Terminal de 3 assentos
27	103000271	Tubulação de distribuição	58	136010004	Grampo
28	108830056	Painel traseiro	59	115000060	Terminal de 2 assentos
29	117110020	Temperatura ambiente. sensor d3-TH1	60	117100046	PCB
30	133020010	Temperatura ambiente. clipe de sensor	61	117110021	Temp. De exaustão sensor d6-TH3
31	121000035	Válvula de 4 vias			

**Model: VSN-12 / VSN-15 / VSN-17**





## Spare parts list: VSN-12

NO	ERP	Spare parts	NO	ERP	Spare parts
1	133300019	Tampa superior	32	121000037	Bobina de válvula de quatro vias
2	108790071	Quadro superior	33	113010349	Tubo de escape
3	108790049	Grelha de volta	34	112100030	Interruptor de alta pressão
4	108790107	Pilar	35	120000097	Válvula de sucção
5	103000283	Evaporador	36	101000188	Compressor
6	108790111	Suporte do motor do ventilador	37	112100046	Interruptor de baixa pressão
7	108790127	Conjunto do painel frontal	38	113020460	Tubulação de retorno de gás
8	113600010	Lâmina da ventoinha	39	113060156	Tubo
9	112000070	Motor de ventilador	40	113090087	Trocador para Capilar
10	133030011	Caixa do controlador	41	113030155	Válvula de 4 vias para trocador
11	117020212	Controlador	42	109000053	Capilar
12	113712007	Tampa do controlador	43	117110012	Água em temp. sensor d1-TH6
13	108790112	Painel frontal	44	108010025	Clipe do sensor de temperatura do permutador
14	108790081	Painel de manutenção	45	117110011	Água fora temp. sensor d2-TH5
15	108790025	Almofada do evaporador	46	133020011	Anel de borracha azul
16	108790026	Almofada do evaporador	47	102050004	Conjuntos de conexão de água
17	108790013	Bandeja base	48	133020012	Anel de borracha vermelha
18	108790109	Painel direito	49	133020026	Anel de vedação
19	102040861	Trocador de calor de titânio	50	112100021-3	Interruptor de fluxo de água
20	108790024	Painel de isolamento	51	108790072	Tampa da caixa elétrica
21	103000283	Tubulação coletiva	52	117230003	Reactor
22	103000283	Tubulação de distribuição	53	108790073	Caixa reactor
23	113190001	grampo	54	111000006	Capacitor de ventilador
24	113190007	Tubo de revestimento do sensor	55	117240002	Anel magnético
25	117110004	Pipe temp. sensor d5-TH2	56	117240003	Anel magnético
26	106000011	Medidor de pressão	57	108790075	Caixa elétrica
27	108790108	Painel traseiro	58	115000002	Terminal de 3 assentos
28	117110020	Temperatura ambiente. sensor d3-TH1	59	136010004	Grampo
29	133020010	Temperatura ambiente. clipe de sensor	60	115000060	Terminal de 2 assentos
30	113030155	Válvula de 4 vias para trocador	61	117100046	PCB
31	121000034	Válvula de 4 vias	62	117110021	Temp. De exaustão sensor d6-TH3

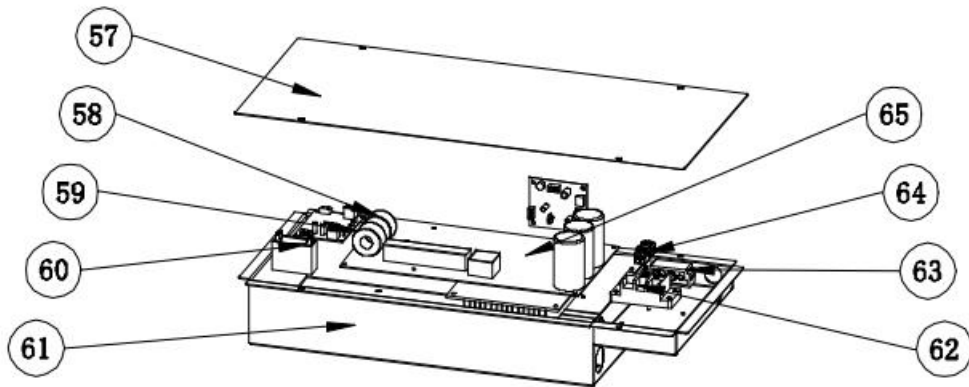
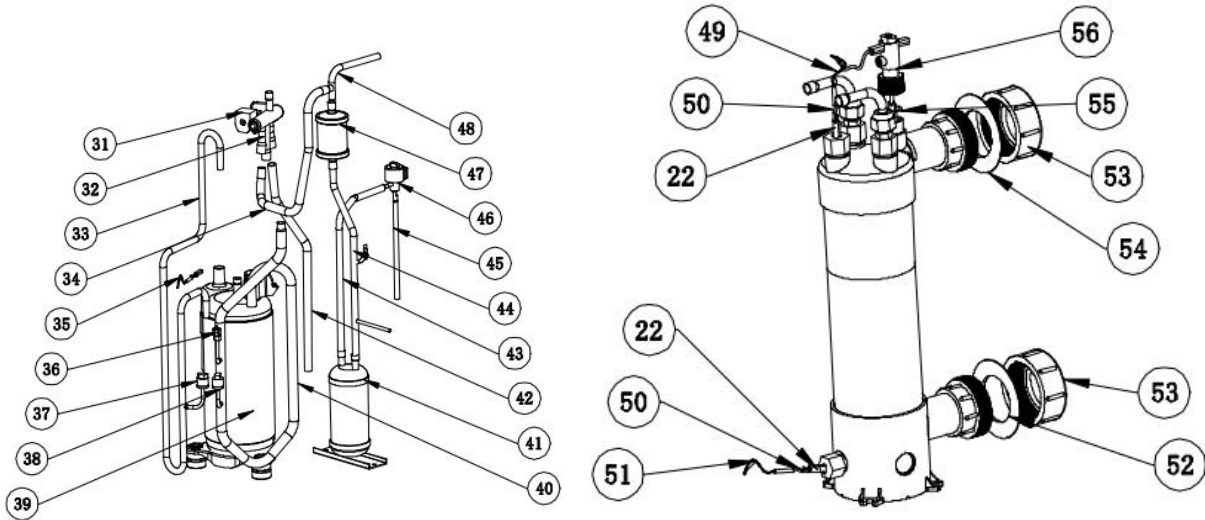
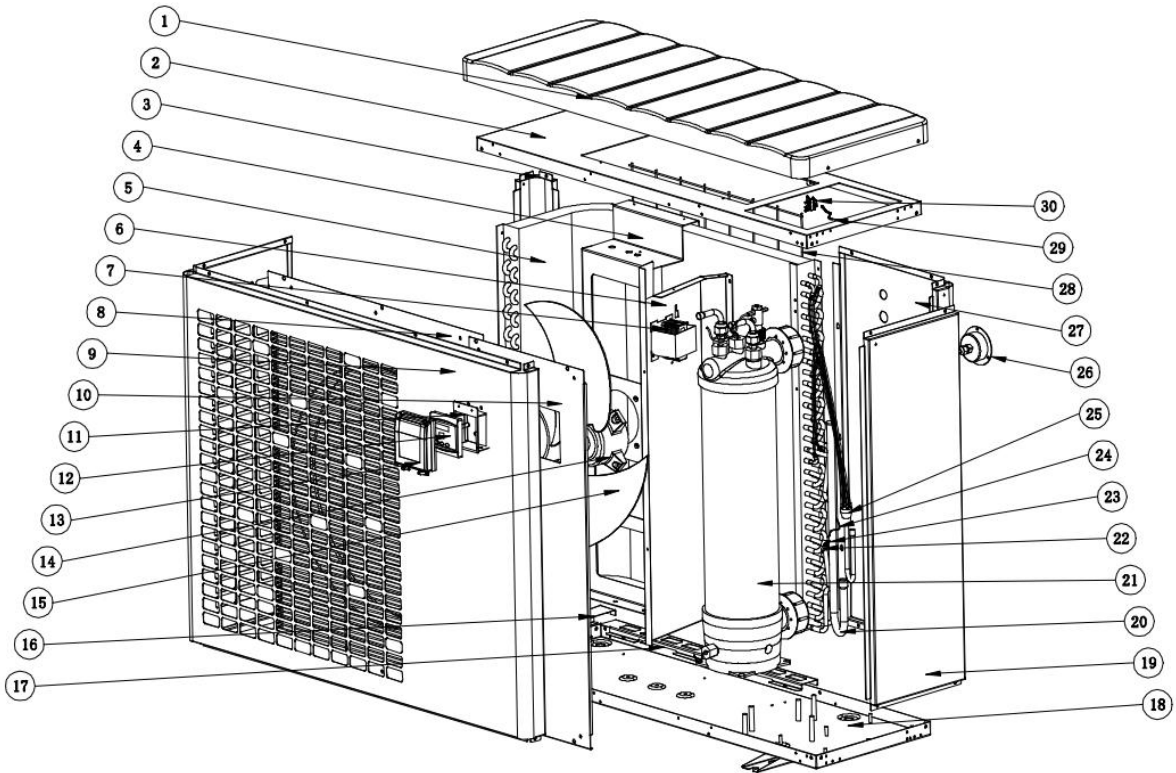
## Spare parts list: VSN-15

NO	ERP	Spare parts	NO	ERP	Spare parts
1	133300019	Tampa superior	32	121000037	Bobina de válvula de quatro vias
2	108790071	Quadro superior	33	113010349	Tubo de escape
3	108790049	Grelha de volta	34	112100030	Interruptor de alta pressão
4	108790107	Pilar	35	120000097	Válvula de sucção
5	103000290	Evaporador	36	101000188	Compressor
6	108790111	Suporte do motor do ventilador	37	112100046	Interruptor de baixa pressão
7	108790127	Conjunto do painel frontal	38	113020460	Tubulação de retorno de gás
8	113600010	Lâmina da ventoíinha	39	113060156	Tubo
9	112000070	Motor de ventilador	40	113080110	Trocador para Capilar
10	133030011	Caixa do controlador	41	113070054	Válvula de 4 vias para trocador
11	117020212	Controlador	42	119000058	Capilar
12	113712007	Tampa do controlador	43	117110012	Água em temp. sensor d1-TH6
13	108790112	Painel frontal	44	108010025	Clipe do sensor de temperatura do permutador
14	108790081	Painel de manutenção	45	117110011	Água fora temp. sensor d2-TH5
15	108790025	Almofada do evaporador	46	133020011	Anel de borracha azul
16	108790026	Almofada do evaporador	47	102050004	Conjuntos de conexão de água
17	108790013	Bandeja base	48	133020012	Anel de borracha vermelha
18	108790109	Painel direito	49	133020026	Anel de vedação
19	102040865	Trocador de calor de titânio	50	112100021-3	Interruptor de fluxo de água
20	108790024	Painel de isolamento	51	108790072	Tampa da caixa elétrica
21	103000290	Tubulação coletiva	52	117230003	Reactor
22	103000290	Tubulação de distribuição	53	108790073	Caixa reactor
23	113190001	grampo	54	111000006	Capacitor de ventilador
24	113190007	Tubo de revestimento do sensor	55	117240002	Anel magnético
25	117110004	Pipe temp. sensor d5-TH2	56	117240003	Anel magnético
26	106000011	Medidor de pressão	57	108790074	Caixa elétrica
27	108790108	Painel traseiro	58	115000002	Terminal de 3 assentos
28	117110020	Temperatura ambiente. sensor d3-TH1	59	136010004	Grampo
29	133020010	Temperatura ambiente. clipe de sensor	60	115000060	Terminal de 2 assentos
30	113030155	Válvula de 4 vias para trocador	61	117100047	PCB
31	121000034	Válvula de 4 vias	62	117110021	Temp. De exaustão sensor d6-TH3

## Spare parts list: VSN-17

NO	ERP	Spare parts	NO	ERP	Spare parts
1	133300019	Tampa superior	32	121000037	Bobina de válvula de quatro vias
2	108790071	Quadro superior	33	113010390	Tubo de escape
3	108790049	Grelha de volta	34	112100030	Interruptor de alta pressão
4	108790107	Pilar	35	120000097	Válvula de sucção
5	103000291	Evaporador	36	101000181	Compressor
6	108790111	Suporte do motor do ventilador	37	112100046	Interruptor de baixa pressão
7	108790127	Conjunto do painel frontal	38	113020541	Tubulação de retorno de gás
8	113600010	Lâmina da ventoínha	39	113060156	Tubo
9	112000070	Motor de ventilador	40	113080115	Trocador para Capilar
10	133030011	Caixa do controlador	41	113070054	Válvula de 4 vias para trocador
11	117020212	Controlador	42	119000058	Capilar
12	113712007	Tampa do controlador	43	117110012	Água em temp. sensor d1-TH6
13	108790112	Painel frontal	44	108010025	Clipe do sensor de temperatura do permutador
14	108790081	Painel de manutenção	45	117110011	Água fora temp. sensor d2-TH5
15	108790025	Almofada do evaporador	46	133020011	Anel de borracha azul
16	108790026	Almofada do evaporador	47	102050004	Conjuntos de conexão de água
17	108790093	Bandeja base	48	133020012	Anel de borracha vermelha
18	108790109	Painel direito	49	133020026	Anel de vedação
19	103000271	Trocador de calor de titânio	50	112100021-3	Interruptor de fluxo de água
20	108790024	Painel de isolamento	51	108790072	Tampa da caixa elétrica
21	103000291	Tubulação coletiva	52	117230003	Reactor
22	103000291	Tubulação de distribuição	53	108790073	Caixa reactor
23	113190001	grampo	54	111000006	Capacitor de ventilador
24	113190007	Tubo de revestimento do sensor	55	117240002	Anel magnético
25	117110004	Pipe temp. sensor d5-TH2	56	117240003	Anel magnético
26	106000011	Medidor de pressão	57	108790074	Caixa elétrica
27	108790108	Painel traseiro	58	115000002	Terminal de 3 assentos
28	117110020	Temperatura ambiente. sensor d3-TH1	59	136010004	Grampo
29	133020010	Temperatura ambiente. clipe de sensor	60	115000060	Terminal de 2 assentos
30	113030172	Válvula de 4 vias para trocador	61	117100047	PCB
31	121000034	Válvula de 4 vias	62	117110021	Temp. De exaustão sensor d6-TH3

**Model: VSN-21**



NO	ERP	Spare parts	NO	ERP	Spare parts
1	133350015	Tampa superior	34	113030174	Válvula de 4 vias para trocador
2	108840002	Quadro superior	35	117110004	Pipe temp. sensor d5-TH2
3	108840081	Pilar	36	120000097	Válvula de sucção
4	108840079	Suporte do motor do ventilador	37	112100030	Interruptor de alta pressão
5	103000292	Evaporador	38	112100046	Interruptor de baixa pressão
6	108840003	Painel de isolamento	39	101000185	Compressor
7	117230002	Reactor	40	113020451	Tubulação de retorno de gás
8	108840084	Conjunto do painel frontal	41	105000004	Tanque de armazenamento de líquido
9	108840080	Painel frontal	42	113060159	Tubo
10	108840083	Pannello di manutenzione	43	113120040	Tanque de armazenamento de líquidos para EEV
11	133030011	Caixa do controlador	44	113130042	Filtro para tanque de armazenamento de líquidos
12	117020284	Controlador	45	113080111	EEV para encanamento de distribuição
13	113712007	Tampa do controlador	46	119000059	EEV
14	111400043	Motor de ventilador	47	120000066	Filtrar
15	113600013	Lâmina da ventoínha	48	113130035	Trocador para filtrar
16	108840004	Almofada do evaporador	49	117110012	Água em temp. sensor d1-TH6
17	108840005	Almofada do evaporador	50	108010025	Clipe do sensor de temperatura do permutador
18	108840001	Bandeja base	51	117110011	Água fora temp. sensor d2-TH5
19	108840085	Painel direito	52	133020011	Anel de borracha azul
20	103000292	Tubulação coletiva	53	102050004	Conjuntos de conexão de água
21	102041021	Trocador de calor de titânio	54	133020012	Anel de borracha vermelha
22	113190001	grampo	55	133020026	Anel de vedação
23	113190007	Tubo de revestimento do sensor	56	112100021-3	Interruptor de fluxo de água
24	117110021	Temp. De exaustão sensor d6-TH3	57	108840008	Tampa da caixa elétrica
25	103000292	Tubulação de distribuição	58	117240002	Anel magnético
26	106000011	Medidor de pressão	59	117240003	Anel magnético
27	108840082	Painel traseiro	60	111000006	Capacitor de ventilador
28	108840014	Grelha de volta	61	108840007	Caixa elétrica
29	117110020	Temperatura ambiente. sensor d3-TH1	62	115000025	Terminal de 3 assentos
30	133020010	Temperatura ambiente. clipe de sensor	63	136010004	Grampo
31	121000028	Válvula de 4 vias	64	115000060	Terminal de 2 assentos
32	121000037	Bobina de válvula de quatro vias	65	117100047	PCB
33	113010339	Tubo de escape			

## 9. Manutenção

### Atenção !

-Antes de qualquer trabalho de manutenção no aparelho, deve-se cortar a alimentação elétrica, pois existe o risco de choque elétrico que pode causar danos materiais, ferimentos graves ou até a morte.

- Recomenda-se que o aparelho seja submetido a serviços gerais de manutenção pelo menos uma vez por ano para garantir o seu correto funcionamento, manter os níveis de desempenho e evitar possíveis falhas. Estas operações são realizadas por conta do usuário, por um técnico qualificado. Para que a manutenção seja realizado por um técnico qualificado.

-para a manutenção a ser realizada por um técnico qualificado, leia as instruções de segurança nas páginas anteriores fornecidas no capítulo intitulado "manutenção: avisos relativos a aparelhos que contêm refrigerante R32" antes de realizar qualquer uma das operações de manutenção descritas a seguir.

(1) Você deve verificar o sistema de abastecimento de água regularmente para evitar o ar que entra no sistema e ocorrência de baixo fluxo de água, porque iria reduzir o desempenho ea confiabilidade da unidade HP.

(2) Limpe regularmente as piscinas e o sistema de filtragem para evitar danos à unidade, devido ao sujo do filtro entupido.

(3) De outra forma, você deve verificar se a unidade está cheio de água antes que a unidade comece a funcionar novamente.

(4) Depois que a unidade é condicionada para a estação do inverno, é recomendado cobrir a bomba de calor com a bomba de calor especial do inverno.

(5) Quando a unidade está funcionando, há todo o tempo um pouco de descarga de água sob a unidade.

(6) Tabela de mapeamento de pressão e temperatura R32.

Condição	Desligar			
	- 5-5 °C	5-15 °C	15-25 °C	25-35°C
Temperatura ambiente	- 5-5 °C	5-15 °C	15-25 °C	25-35°C
Temperatura da água	/	/	/	/
Leitura do manómetro	0.68-0.93 MPa	0.93-1.25 MPa	1.25-1.64 MPa	1.64-2.1 MPa

Condição	Correr (Calefação)				
	/	/	/	/	/
Temperatura ambiente	/	/	/	/	/
Temperatura da água	10-15°C	15-20°C	20-25°C	25-30°C	30-35 °C
Leitura do manómetro	1.3-1.8 MPa	1.5-1.9 MPa	1.6-2.3 MPa	1.9-2.8 MPa	2.1-3.5 MPa

(7) Esvazie sempre a água na bomba de calor durante o inverno ou quando a temperatura ambiente cair abaixo de 0 °C, caso contrário, o trocador de titânio será danificado por estar congelado, nesse caso, sua garantia será perdida.

## EN - GUARANTEE CERTIFICATE

### 1 GENERAL TERMS

- 1.1 In accordance with these provisions, the seller guarantees that the product corresponding to this guarantee ("the Product") is in perfect condition at the time of delivery.
- 1.2 The Guarantee Term for the Product is two (2) years from the time it is delivered to the purchaser.
- 1.3 In the event of any defect in the Product that is notified by the purchaser to the seller during the Guarantee Term, the seller will be obliged to repair or replace the Product, at his own cost and wherever he deems suitable, unless this is impossible or unreasonable.
- 1.4 If it is not possible to repair or replace the Product, the purchaser may ask for a proportional reduction in the price or, if the defect is sufficiently significant, the termination of the sales contract.
- 1.5 The replaced or repaired parts under this guarantee, will not extend the guarantee period of the original Product, but will have a separate guarantee.
- 1.6 In order for this guarantee to come into effect, the purchaser must provide proof of the date of purchase and delivery of the Product.
- 1.7 If, after six months from the delivery of the Product to the purchaser, he notifies a defect in the Product, the purchaser must provide proof of the origin and existence of the alleged defect.
- 1.8 This Guarantee Certificate is issued without prejudice to the rights corresponding to consumers under national regulations.

### 2 INDIVIDUAL TERMS

- 2.1 This guarantee covers the products referred to in this manual.
- 2.2 This Guarantee Certificate will only be applicable in European Union countries.
- 2.3 For this guarantee to be effective, the purchaser must strictly follow the Manufacturer's instructions included in the documentation provided with the Product, in cases where it is applicable according to the range and model of the Product.
- 2.4 When a time schedule is specified for the replacement, maintenance or cleaning of certain parts or components of the Product, the guarantee will only be valid if this time schedule has been followed.

### 3 LIMITATIONS

- 3.1 This guarantee will only be applicable to sales made to consumers, understanding by "consumer", a person who purchases the Product for purposes not related to his professional activities.
- 3.2 The normal wear resulting from using the product is not guaranteed. With respect to expendable or consumable parts, components and/or materials, such as batteries, light bulbs, etc. the stipulations in the documentation provided with the Product, will apply.
- 3.3 The guarantee does not cover those cases when the Product; (I) has been handled incorrectly; (II) has been repaired, serviced or handled by non- authorised people or (III) has been repaired or serviced not using original parts. In cases where the defect of the Product is a result of incorrect installation or start-up, this guarantee will only apply when said installation or start-up is included in the sales contract of the Product and has been conducted by the seller or under his responsibility.

## ES - CERTIFICADO DE GARANTÍA

### 1 ASPECTOS GENERALES

- 1.1 De acuerdo con estas disposiciones, el vendedor garantiza que el producto correspondiente a esta garantía ("el Producto") no presenta ninguna falta de conformidad en el momento de su entrega.
- 1.2 El Período de Garantía para el Producto es de dos (2) años y se calculará desde el momento de su entrega al comprador.
- 1.3 Si se produjera una falta de conformidad del Producto y el comprador lo notificase al vendedor durante el Periodo de Garantía, el vendedor deberá reparar o sustituir el Producto a su propio coste en el lugar donde considere oportuno, salvo que ello sea imposible o desproporcionado.
- 1.4 Cuando no se pueda reparar o sustituir el Producto, el comprador podrá solicitar una reducción proporcional del precio o, si la falta de conformidad es suficientemente importante, la resolución del contrato de venta.
- 1.5 Las partes sustituidas o reparadas en virtud de esta garantía no ampliarán el plazo de la garantía del Producto original, si bien dispondrán de su propia garantía.
- 1.6 Para la efectividad de la presente garantía, el comprador deberá acreditar la fecha de adquisición y entrega del Producto.
- 1.7 Cuando hayan transcurrido más de seis meses desde la entrega del Producto al comprador y éste alegue falta de conformidad de aquél, el comprador deberá acreditar el origen y la existencia del defecto alegado.
- 1.8 El presente Certificado de Garantía no limita o prejuzga los derechos que correspondan a los consumidores en virtud de normas nacionales de carácter imperativo.

### 2 CONDICIONES PARTICULARES

- 2.1 La presente garantía cubre los productos a que hace referencia este manual.

- 2.2 El presente Certificado de Garantía será de aplicación únicamente en los países de la Unión Europea.
- 2.3 Para la eficacia de esta garantía, el comprador deberá seguir estrictamente las indicaciones del Fabricante incluidas en la documentación que acompaña al Producto, cuando ésta resulte aplicable según la gama y modelo del Producto.
- 2.4 Cuando se especifique un calendario para la sustitución, mantenimiento o limpieza de ciertas piezas o componentes del Producto, la garantía sólo será válida cuando se haya seguido dicho calendario correctamente.

### 3 LIMITACIONES

- 3.1 La presente garantía únicamente será de aplicación en aquellas ventas realizadas a consumidores, entendiéndose por “consumidor”, aquella persona que adquiere el Producto con fines que no entran en el ámbito de su actividad profesional.
- 3.2 No se otorga ninguna garantía respecto del normal desgaste por uso del producto. En relación con las piezas, componentes y/o materiales fungibles o consumibles como pilas, bombillas etc., se estará a lo dispuesto en la documentación que acompaña al Producto, en su caso.
- 3.3 La garantía no cubre aquellos casos en que el Producto: (I) haya sido objeto de un trato incorrecto; (II) haya sido reparado, mantenido o manipulado por persona no autorizada o (III) haya sido reparado o mantenido con piezas no originales.

**Cuando la falta de conformidad del Producto sea consecuencia de una incorrecta instalación o puesta en marcha, la presente garantía sólo responderá cuando dicha instalación o puesta en marcha esté incluida en el contrato de compra-venta del Producto y haya sido realizada por el vendedor o bajo su responsabilidad.**

### FR - CERTIFICAT DE GARANTIE

#### 1 ASPECTS GÉNÉRAUX

- 1.1 Conformément à ces dispositions, le vendeur garantit que le produit correspondant à cette garantie (“le Produit”) ne présente aucun défaut de conformité à la date de sa livraison.
- 1.2 La Période de Garantie pour le Produit est de deux (2) ans et elle sera calculée à partir du moment de sa remise à l’acheteur.
- 1.3 S’il se produisait un défaut de conformité du Produit et si l’acheteur le notifiait au vendeur pendant la Période de Garantie, le vendeur devrait réparer ou remplacer le Produit à ses propres frais à l’endroit qu’il jugerait opportun, à moins que cela soit impossible ou disproportionné.
- 1.4 Lorsque le Produit ne pourra être ni réparé ni remplacé, l’acheteur pourra demander une réduction proportionnelle du prix ou, si le défaut de conformité est suffisamment important, la résolution du contrat de vente.
- 1.5 Les parties remplacées ou réparées en vertu de cette garantie n’élargiront pas le délai de la garantie du Produit original, celles-ci étant cependant couvertes par leur propre garantie.
- 1.6 Pour l’effectivité de la présente garantie, l’acheteur devra justifier la date d’acquisition et de remise du Produit.
- 1.7 Quand plus de six mois se seront écoulés depuis la remise du Produit à l’acheteur et que ce dernier alléguera un défaut de conformité de ce Produit, l’acheteur devra justifier l’origine et l’existence du défaut allégué.
- 1.8 Le présent Certificat de Garantie ne limite pas, ni préjuge les droits correspondant aux consommateurs en vertu des normes nationales de nature impérative.

#### 2 CONDITIONS PARTICULIÈRES

- 2.1 La présente garantie couvre les produits auxquels ce manuel fait référence.
- 2.2 Le présent Certificat de Garantie ne sera applicable que dans les pays de l’Union européenne.
- 2.3 En vue de l’efficacité de cette garantie, l’acheteur devra suivre strictement les indications du Fabricant comprises dans la documentation qui est jointe au Produit, quand celle-ci sera applicable selon la gamme et le modèle du Produit.
- 2.4 Quand un calendrier sera spécifié pour le remplacement, la maintenance ou le nettoyage de certaines pièces ou de certains composants du Produit, la garantie sera valable uniquement lorsque ledit calendrier aura été suivi correctement.

#### 3 LIMITATIONS

- 3.1 La présente garantie ne sera applicable que dans les ventes réalisées aux consommateurs, considérant comme “consommateur”, toute personne qui achète le Produit à des fins qui n’entrent pas dans le cadre de son activité professionnelle.
- 3.2 Aucune garantie n’est concédée quant à l’usure normale due à l’utilisation du produit. En ce qui concerne les pièces, composants et/ou matériels fongibles ou consommables comme les piles, les ampoules, etc., il faudra respecter, le cas échéant, ce qui est stipulé dans la documentation qui est jointe au Produit.
- 3.3 La garantie ne couvre pas les cas où le Produit : (I) a fait l’objet d’un traitement incorrect ; (II) a été réparé, entretenu ou manipulé par une personne non autorisée ou (III) a été réparé ou entretenu avec des pièces n’étant pas d’origine. Quand le défaut de conformité du Produit sera la conséquence d’une installation ou d’une mise en marche incorrectes, la présente garantie répondra uniquement lorsque ladite installation ou ladite mise en marche sera incluse dans le contrat d’achat et de vente du Produit et aura été réalisée par



le vendeur ou sous sa responsabilité.

#### DE - GARANTIEZERTIFIKAT

##### 1 ALLGEMEINE GESICHTSPUNKTE

- 1.1 In Übereinstimmung mit diesen Verfügungen garantiert der Verkäufer, dass das Produkt dieser Garantie ("das Produkt") entspricht und dass es im Moment der Übergabe in allen Punkten mit den Anforderungen übereinstimmt.
- 1.2 Der Garantiezeitraum für das Produkt beträgt zwei (2) Jahre und wird ab dem Augenblick der Lieferung an den Käufer gerechnet.
- 1.3 Falls ein Mangel am Produkt auftritt und der Käufer den Verkäufer innerhalb des Garantiezeitraums darüber unterrichtet, muss der Verkäufer das Produkt auf eigene Kosten dort reparieren oder ersetzen, wo es für ihn am günstigsten ist, es sei denn, dies ist unmöglich oder unverhältnismäßig.
- 1.4 Wenn das Produkt weder repariert noch ersetzt werden kann, kann der Käufer einen angemessenen Preisnachlass beantragen, oder, falls es sich um einen größeren Mangel handelt, die Auflösung des Kaufvertrages.
- 1.5 Die Teile, die aufgrund dieser Garantie ersetzt oder repariert werden, verlängern den Garantiezeitraum für das Originalprodukt nicht. Jedoch existiert für diese Teile eine eigene Garantie.
- 1.6 Um die vorliegende Garantie wirksam werden zu lassen, muss der Käufer das Kaufdatum und das Lieferdatum des Produktes belegen.
- 1.7 Nach Ablauf von sechs Monaten ab Lieferung des Produktes an den Käufer muss, im Falle eines Mangels, der Käufer den Ursprung und das Vorhandensein des angegebenen Mangels belegen.
- 1.8 Das vorliegende Garantiezertifikat schränkt die Rechte, die der Verbraucher aufgrund der herrschenden, nationalen Gesetzgebung hat, nicht ein.

##### 2 SONDERBEDINGUNGEN

- 2.1 Die vorliegende Garantie gilt für die Produkte, auf die sich dieses Handbuch bezieht.
- 2.2 Das vorliegende Garantiezertifikat ist nur in den Ländern der Europäischen Gemeinschaft anwendbar.
- 2.3 Diese Garantie gilt nur, wenn der Käufer alle Anweisungen des Herstellers, die in der produktbegleitenden Dokumentation enthalten und für die jeweilige Produktlinie und Modell anwendbar ist, streng einhält.
- 2.4 Wenn ein Zeitplan für den Austausch von Teilen, die Instandhaltung und Reinigung bestimmter Teile oder Produktkomponenten aufgestellt wurde, gilt die Garantie nur dann, wenn dieser Zeitplan korrekt eingehalten wurde.

##### 3 EINSCHRÄNKUNGEN

- 3.1 Die vorliegende Garantie ist nur auf Verkäufe an Verbraucher anwendbar. "Verbraucher" sind alle Personen, die dieses Produkt zu privaten Zwecken erwerben.
- 3.2 Es wird keine Garantie für die normale Abnutzung durch den Gebrauch des Produktes gewährt. Informationen über Teile, Komponenten und/oder verschleißbare Materialien oder Verbrauchsgüter oder Batterien, Glühlampen etc. finden Sie in der Dokumentation, die das jeweilige Produkt begleitet.
- 3.3 In folgenden Fällen gilt die Garantie nicht: (I) Das Produkt wurde nicht korrekt benutzt; (II) das Produkt wurde von nicht autorisierten Personen repariert, instandgehalten oder bedient oder (III) das Produkt wurde mit nicht originalen Ersatzteilen repariert oder instandgehalten. Wenn der Mangel auf eine falsche Installation oder Inbetriebnahme zurückzuführen ist, gilt die vorliegende Garantie nur, wenn diese Installation oder Inbetriebnahme in den Kaufvertrag des Produktes eingeschlossen war, und von dem Verkäufer oder auf dessen Verantwortung durchgeführt wurde.

#### IT - CERTIFICATO DI GARANZIA

##### 1 ASPETTI GENERALI

- 1.1 Ai sensi delle seguenti disposizioni, il venditore garantisce che il prodotto corrispondente a questa garanzia ("il Prodotto") non presenta alcun difetto di conformità al momento della sua consegna.
- 1.2 Il Periodo di Garanzia per il Prodotto è di due (2) anni a decorrere dal momento della consegna dello stesso all'acquirente.
- 1.3 Nel caso in cui si venisse a produrre un difetto di conformità del Prodotto e l'acquirente lo notificasse al venditore entro il Periodo di Garanzia, il venditore dovrà riparare o sostituire il Prodotto a sue spese nel luogo che consideri opportuno, salvo che ciò risulti impossibile o sproporzionato.
- 1.4 Qualora non fosse possibile riparare o sostituire il Prodotto, l'acquirente potrà richiedere una riduzione proporzionale del prezzo o, nel caso in cui il difetto di conformità fosse sufficientemente importante, lo scioglimento del contratto di vendita.
- 1.5 Le parti sostituite o riparate in virtù della presente garanzia non rappresenteranno un prolungamento della scadenza della garanzia del Prodotto originale, quantunque disporranno di una loro propria garanzia.
- 1.6 Affinché la presente possa essere valida, l'acquirente dovrà attestare la data di acquisto e consegna di del Prodotto.
- 1.7 Una volta trascorsi più di sei mesi dalla consegna del Prodotto all'acquirente, qualora quest'ultimo

dichiari un difetto di conformità del medesimo, l'acquirente dovrà attestare l'origine e l'esistenza del difetto dichiarato.

1.8 Il presente Certificato di Garanzia non limita o preclude i diritti che corrispondano ai consumatori in virtù delle norme nazionale di carattere imperativo.

## 2 CONDIZIONI PARTICOLARI

2.1 La presente garanzia copre i prodotti al quali si riferisce questo manuale.

2.2 Il presente Certificato di Garanzia avrà vigore unicamente nell'ambito dei paesi dell'Unione Europea.

2.3 Per la validità di questa garanzia, l'acquirente dovrà rispettare in maniera rigorosa le indicazioni del Fabbrikante indicate nella documentazione che viene allegata al Prodotto, quando questa risulti applicabile secondo la gamma e il modello del Prodotto.

2.4 Nel caso in cui venga specificato un calendario per la sostituzione, la manutenzione o la pulizia di determinati pezzi o componenti del Prodotto, la garanzia sarà valida solo quando qualora detto calendario sia stato rispettato in maniera corretta.

## 3 LIMITAZIONI

3.1 La presente garanzia sarà valida unicamente per le vendite realizzate a consumatori, laddove per "consumatori" s'intende quella persona che acquista il Prodotto con scopi che non rientrano nell'ambito della sua attività professionale.

3.2 No viene concessa alcuna garanzia nei riguardi del normale consumo per uso del prodotto. In merito ai pezzi, ai componenti e/o ai materiali fusibili o consumabili come pile, lampadine, ecc., ove sussista si applicherà quanto disposto nella documentazione che è allegata al Prodotto.

3.3 La garanzia non copre i casi in cui il Prodotto: (I) sia stato oggetto di un uso non corretto; (II) sia stato riparato, manipolato o la manutenzione sia stata effettuata da una persona non autorizzata o (III) sia stato riparato o la manutenzione sia stata effettuata con pezzi non originali. Qualora il difetto di conformità del Prodotto sia conseguenza di una installazione o messa in marcia non corretta, la presente garanzia risponderà solo nel caso in cui la suddetta installazione o messa in marcia sia compresa nel contratto di compravendita del Prodotto e sia stata realizzata dal venditore o sotto la sua responsabilità.

## NL - GARANTIECERTIFIKAAT

### 1 ALGEMENE ASPEKTEN

1.1 In overeenkomst met de voorliggende bepalingen wordt door de verkoper gegarandeerd dat het produkt verkocht onder deze garantie ("het Produkt") geen enkel defekt vertoont op het moment van levering.

1.2 De Garantieperiode voor het Produkt bedraagt twee (2) jaar en is geldig vanaf het moment dat het Produkt aan de koper geleverd wordt.

1.3 Indien er zich een defekt aan het Produkt zou voordoen en de koper dit zou mededelen aan de verkoper gedurende de geldige Garantieperiode, dan zal de verkoper het Produkt repareren of laten repareren op zijn eigen kosten alwaar de verkoper dit geschikt zou achten, behalve in het geval dat dit onmogelijk of buitensporig zou zijn.

1.4 Indien het Produkt niet gerepareerd of vervangen kan worden, dan kan de koper na verhouding prijsreduktie aanvragen, of, indien het defekt belangrijk genoeg is, de ontbinding van het verkoopcontract aanvragen.

1.5 Die delen van het Produkt die onder deze Garantie vervangen of gerepareerd zijn, kunnen de duur van de Garantieperiode voor het oorspronkelijke Produkt niet verlengen, maar zullen beschikken over een eigen garantie.

1.6 Voor de toepassing van deze garantie moet de koper de aankoopdatum en de levering van het Produkt kunnen aantonen.

1.7 Indien er meer dan zes maanden verlopen zijn sinds de levering van het Produkt aan de koper, en deze plotseling aangeeft dat het Produkt niet aan de eisen voldoet, dan zal de koper de oorsprong en het bestaan van de volgens hem bestaande defekten moeten kunnen aantonen.

1.8 Dit Garantiecertificaat beperkt of veroordeelt niet bij voorbaat de rechten die de gebruikers hebben en die gebaseerd zijn op nationale normen.

### 2 BIJZONDERE VOORWAARDEN

2.1 Deze garantie dekt de produkten waarnaar deze handleiding verwijst.

2.2 Het huidige Garantiecertificaat is slechts van toepassing in landen van de Europese Unie.

2.3 Voor de toepassing van deze garantie en in geval deze garantie van toepassing is al naar gelang de serie en het model van het Produkt, moet de koper de aanwijzingen van de Fabrikant in de documenten die bij het Produkt bijgesloten zijn, strikt opvolgen.

2.4 Indien er een tijdsperiode vastgesteld wordt voor de vervanging, het onderhoud of het reinigen van verschillende delen of onderdelen van het Produkt, dan is de garantie alleen geldig in geval deze tijdsperiode strikt aangehouden is.

### 3 BEPERKINGEN

3.1 De huidige garantie is uitsluitend geldig bij verkoop aan gebruikers, waarbij onder "gebruiker" verstaan wordt een persoon die het Produkt aanschaf met een doel dat niet binnen het gebied van zijn

profissionais actividades valt.

3.2 Er bestaat geen garantie in verband met normale slijtage bij gebruik van het Produkt. Wat betreft de delen, componenten en/of vervangbare of verbruiksmaterialen zoals batterijen, gloeilampen, enz. zal men zich moeten richten naar hetgeen in de documenten staat die het Produkt vergezellen.

3.3 De garantie dekt niet de gevallen waarbij het Produkt (i) onderhevig is geweest aan ongepast gebruik, (ii) gerepareerd, onderhouden of gemanipuleerd is door een persoon die daarvoor geen toestemming heeft, of (iii) gerepareerd of onderhouden is met niet oorspronkelijke onderdelen. Indien het defect van het Produkt het gevolg is van een incorrecte installering of ingebruikneming, dan is deze garantie slechts van toepassing indien de installering of ingebruikneming in kwestie in het contract van koop en verkoop van het produkt opgenomen is en door de verkoper of onder diens verantwoording uitgevoerd is.

## PT - CERTIFICADO DE GARANTIA

### 1 CONDIÇÕES GERAIS

1.1 De acordo com estas disposições, o vendedor garante que, no momento da entrega, o produto correspondente a esta garantia ("o Produto") não apresenta nenhum tipo de falta de conformidade.

1.2 O Período de Garantia para o Produto é de dois (2) anos, contados a partir da data de entrega ao comprador.

1.3 Se, durante o período de garantia, o comprador notificar ao vendedor alguma falta de conformidade do Produto, o vendedor deverá reparar ou substituir o Produto por sua conta no lugar onde considerar conveniente, salvo que isso seja impossível ou desmesurado.

1.4 Quando não for possível reparar ou substituir o Produto, o comprador poderá solicitar uma redução proporcional do preço ou, se a falta de conformidade for o suficientemente grave, a rescisão do contrato de venda.

1.5 As partes substituídas ou reparadas em virtude desta garantia não ampliarão o período de garantia do Produto original, mas disporão da sua própria garantia.

1.6 Para que a presente garantia tenha efeito, o comprador deverá apresentar o comprovante da data de compra e de entrega do Produto.

1.7 Se o comprador alegar uma falta de conformidade do Produto, passados mais de seis meses da data de entrega do mesmo, deverá demonstrar a origem e a existência do defeito alegado.

1.8 O presente Certificado de Garantia não limita nem afecta os direitos dos consumidores derivados das normas nacionais de carácter imperativo.

### 2 CONDIÇÕES PARTICULARES

2.1 A presente garantia cobre os produtos descritos neste manual.

2.2 O presente Certificado de Garantia só será válido nos países da União Europeia.

2.3 Para a eficácia desta garantia, o comprador deverá seguir rigorosamente as indicações do Fabricante contidas na documentação fornecida com o Produto, quando a mesma for aplicável em função da gama e do modelo do Produto.

2.4 No caso de se estabelecer um calendário para a substituição, manutenção ou limpeza de determinadas peças ou componentes do Produto, a garantia só será válida se o citado calendário tiver sido cumprido rigorosamente.

### 3 LIMITAÇÕES

3.1 A presente garantia só será válida para as vendas realizadas a consumidores, entendendo-se por "consumidor" a pessoa que comprar o Produto com fins não abrangidos no âmbito da sua actividade profissional.

3.2 A garantia não cobre o desgaste normal derivado do uso do produto. Em relação às peças, componentes e/ou materiais fungíveis ou consumíveis como pilhas, lâmpadas, etc., terá efeito o disposto na documentação fornecida com o Produto, em cada caso.

3.3 Esta garantia não abrange as seguintes situações: (I) Se o Produto tiver sido objecto de um uso incorrecto; (II) tiver sido reparado, sofrido manutenção ou manipulado por pessoas não autorizadas ou (III) tiver sido reparado ou as suas peças substituídas por peças não originais. Quando a falta de conformidade do Produto for consequência de uma instalação ou colocação em funcionamento incorrecta, a presente garantia só será válida se a referida instalação ou colocação em funcionamento estiver incluída no contrato de compra-venda do Produto e tiver sido realizada pelo vendedor ou sob sua responsabilidade.





