

ABOVE-GROUND AUTOMATIC POOL COVER

ROUSSILLON MODEL



INSTALLATION AND MAINTENANCE MANUAL



Serial N°:

Revision number: 003-2008-01-01

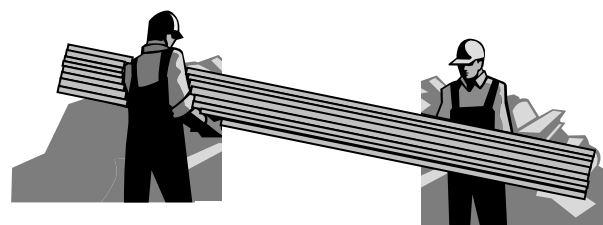
TABLE OF CONTENTS

- Personnel and material required for unloading and assembly.	Page 02/23
- Components of the automatic pool cover.	Page 03/23
- Construction works for pool without partition pit.	Page 04/23
- Construction works for pool with partition pit	Page 05/23
- Fixing of embedded parts.	Page 06/23
- General positioning of the driving mechanism.	Page 07/23
- Ensuring water tightness on bearing side and on conduit side.	Page 07; 08/23
- Mounting of motor shaft in wall conduit.	Page 08/23
- Fixing of shaft on bearing side	Page 09/23
- Positioning of sharp roller.	Page 09/23
- Mounting of the mechanical seal.	Page 10/23
- Slat assembly.	Page 11/23
- Direction slat	Page 12/23
- Slat with melted caps Assembly..	Page 13/23
- Stair assembly.	Page 14/23
- Partition assembly.	Page 15 /23
- Mounting of beam and counterweight.	Page 16/23
- Mounting motorised gear.	Page 17/23
- Electrical installation.	Page 17/23
- Electrical connection.	Page 18/23
- Limit switch adjustment.	Page 19/23
- Adjustment of cover opening and closing.	Page 19/23
- Safety Brackets & Straps Positioning.	Page20; 21; 22; 23/23













UNLOADING



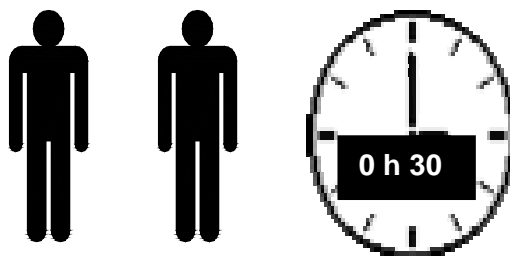
OR



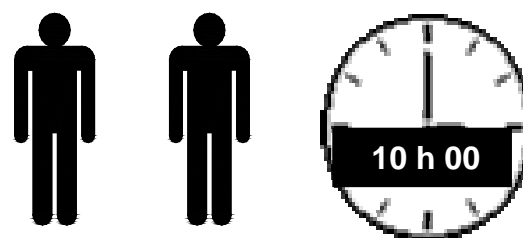
TOOLS REQUIRED FOR ASSEMBLY

-  Drill and drill bits for concrete Ø 6 and Ø10
-  Flat head screwdrivers
-  Phillips screwdrivers
-  Spirit level
-  10 - 13 – 17 wrench
-  Nippers
-  Wire strippers
-  5 and 6 mm Allen wrench
-  Hammer
-  Standard and long (10 m) measuring tape
-  Grease
-  Metal saw

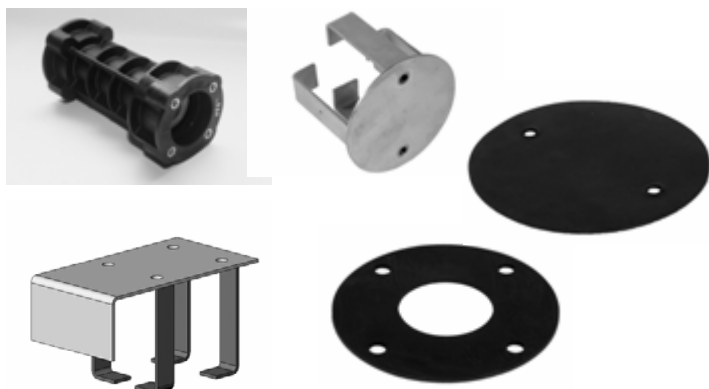
UNLOADING TIME



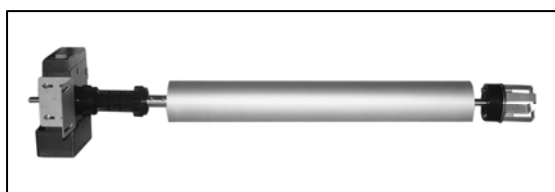
ASSEMBLY TIME



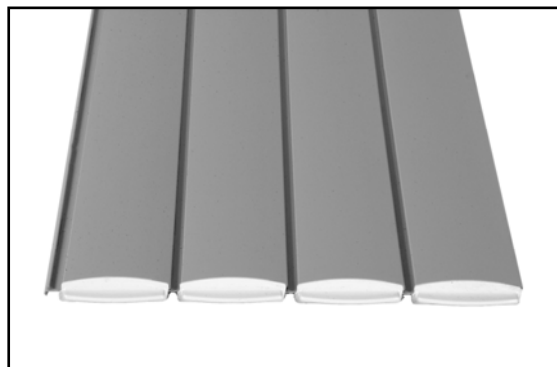
COMPONENTS OF THE AUTOMATIC POOL COVER



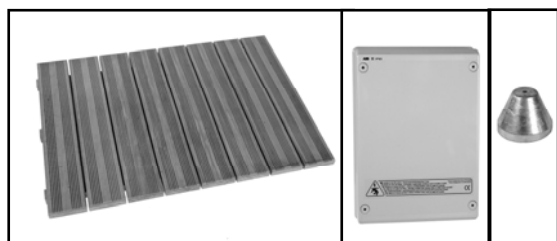
Embedding kit (if applicable)



Winding mechanism



Slat and strap assembly



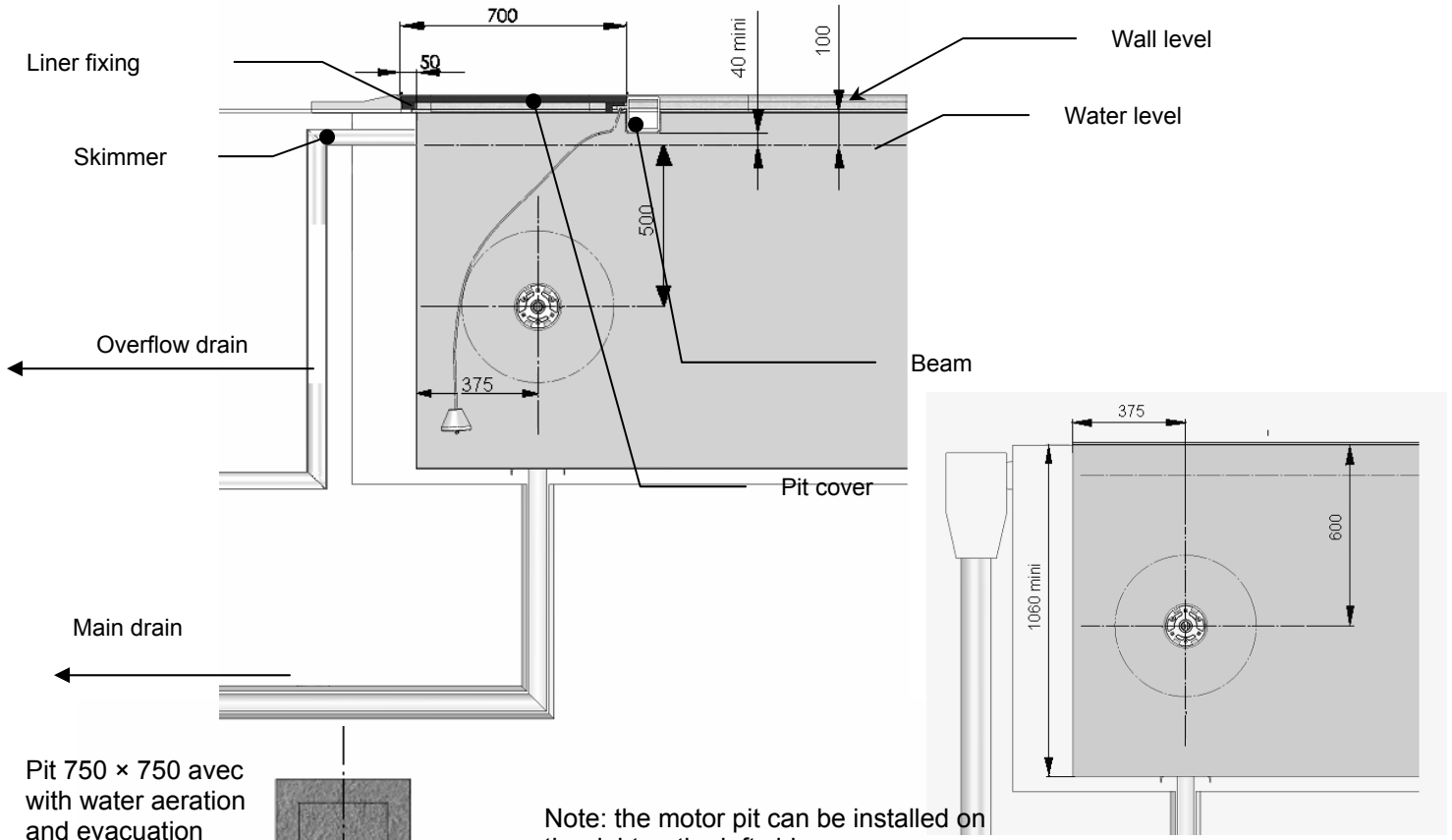
Aluminium beam with/without partition for pit

Pit cover – Electrical box – Tensioner and counterweight



Installation instructions
Operation, care, winterising and
maintenance instructions

CONSTRUCTION WORK FOR THE POOL WITHOUT PARTITION FOR PIT



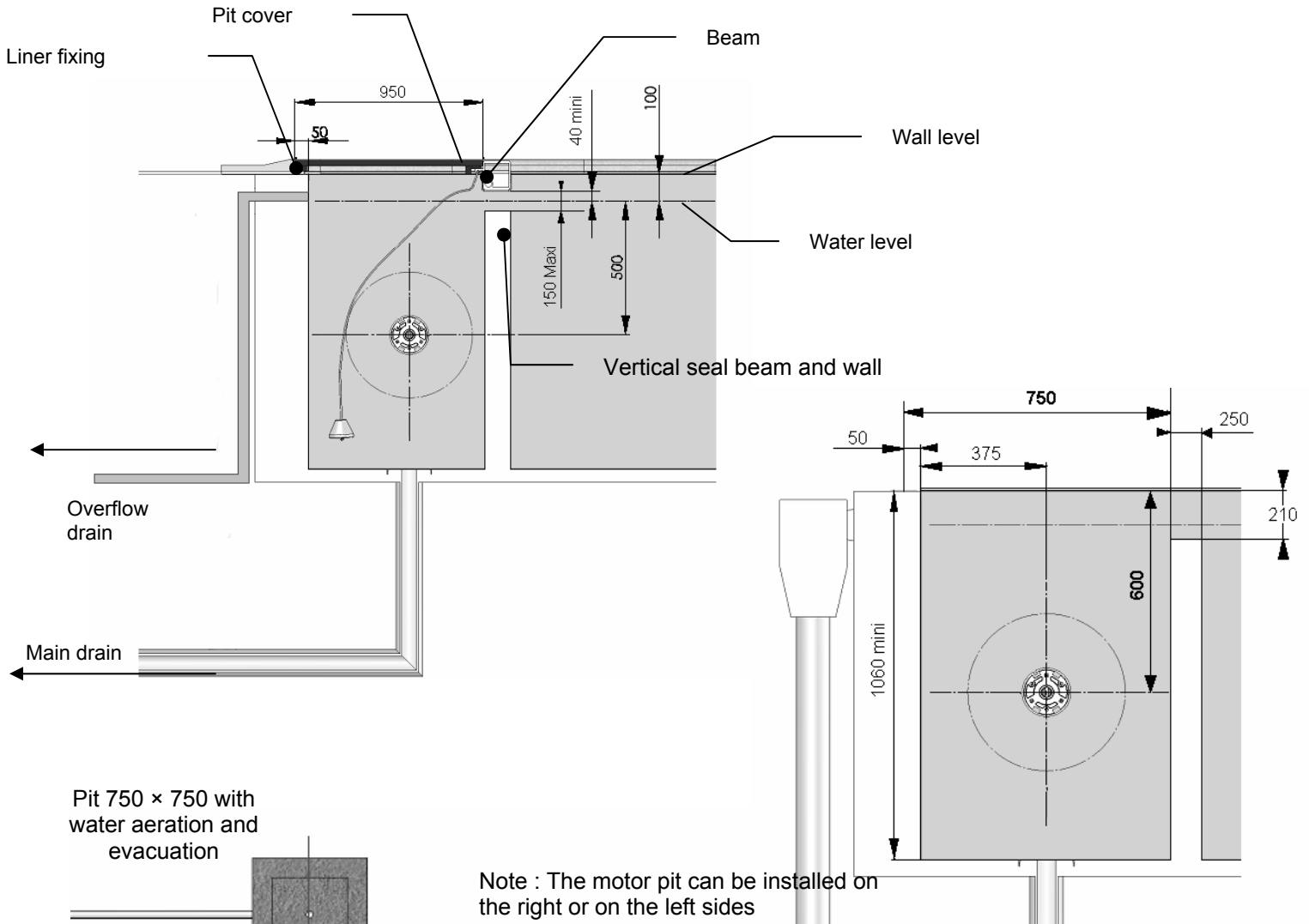
Note: the motor pit can be installed on the right or the left sides

Pit 750 x 750 avec water aeration and evacuation

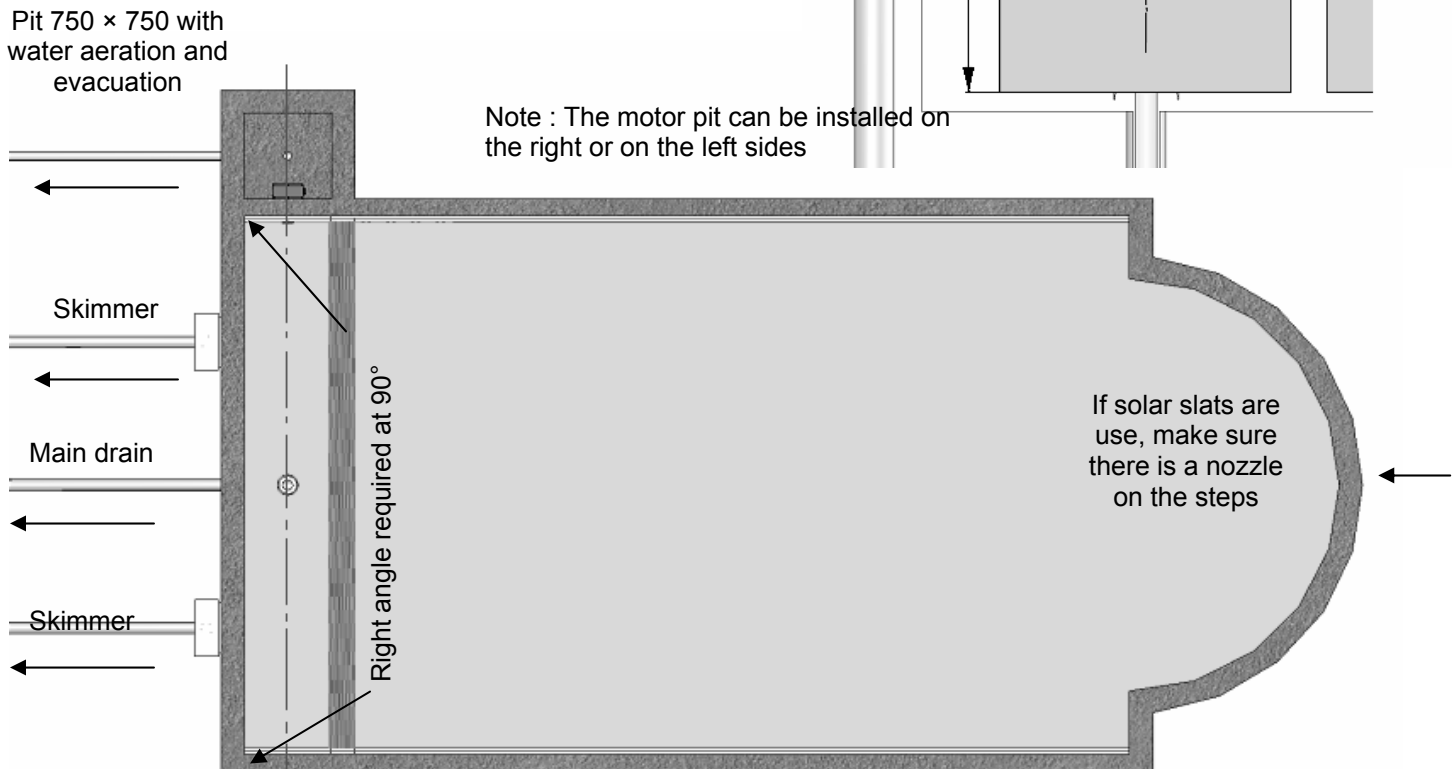


Nota : L'axe formé par la traversée de paroi et le prescellement de palier doit être rigoureusement de niveau et d'équerre par rapport à longueur du bassin

CONSTRUCTION WORK FOR THE POOL WITH PARTITION FOR PIT



Note : The motor pit can be installed on the right or on the left sides

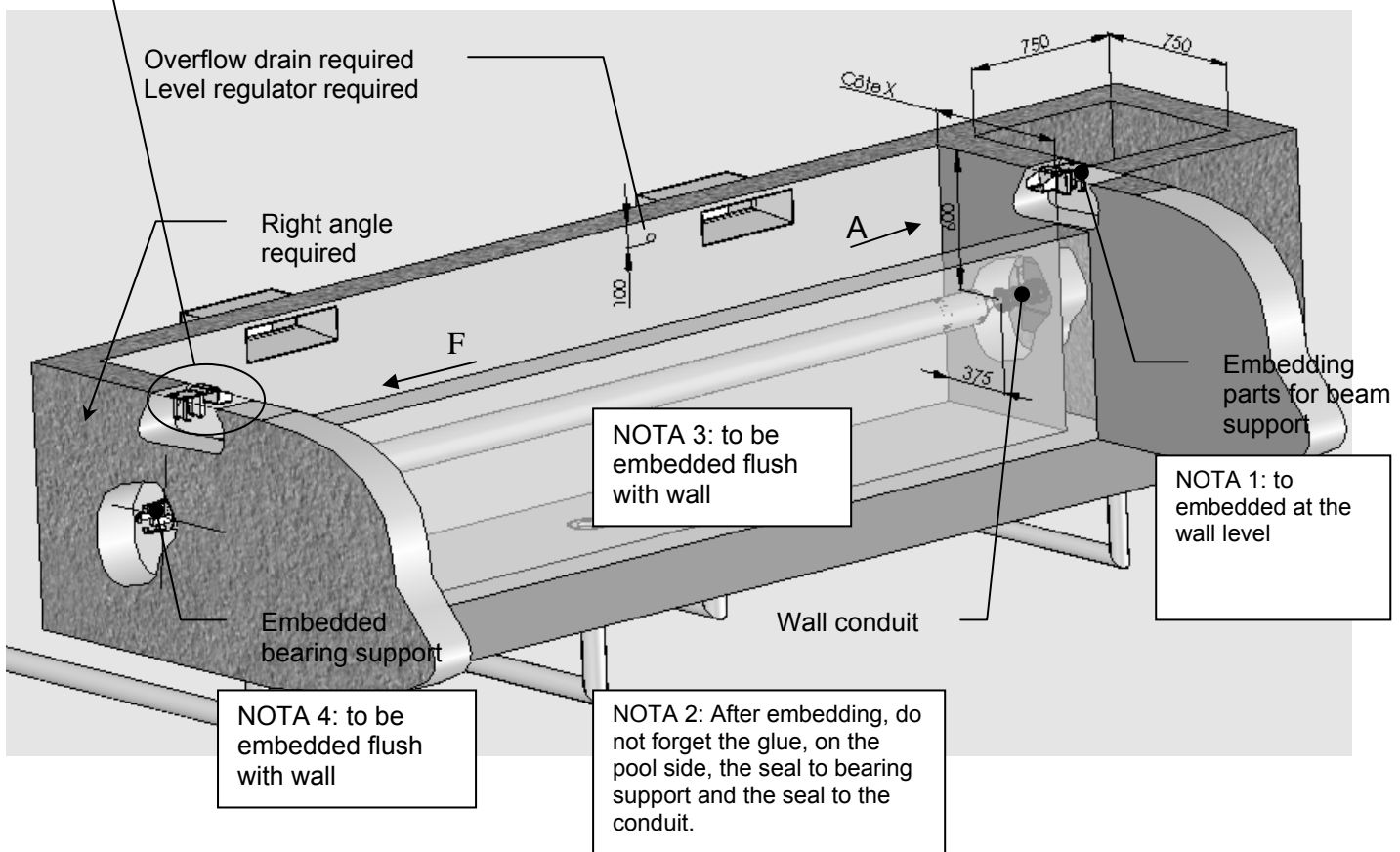
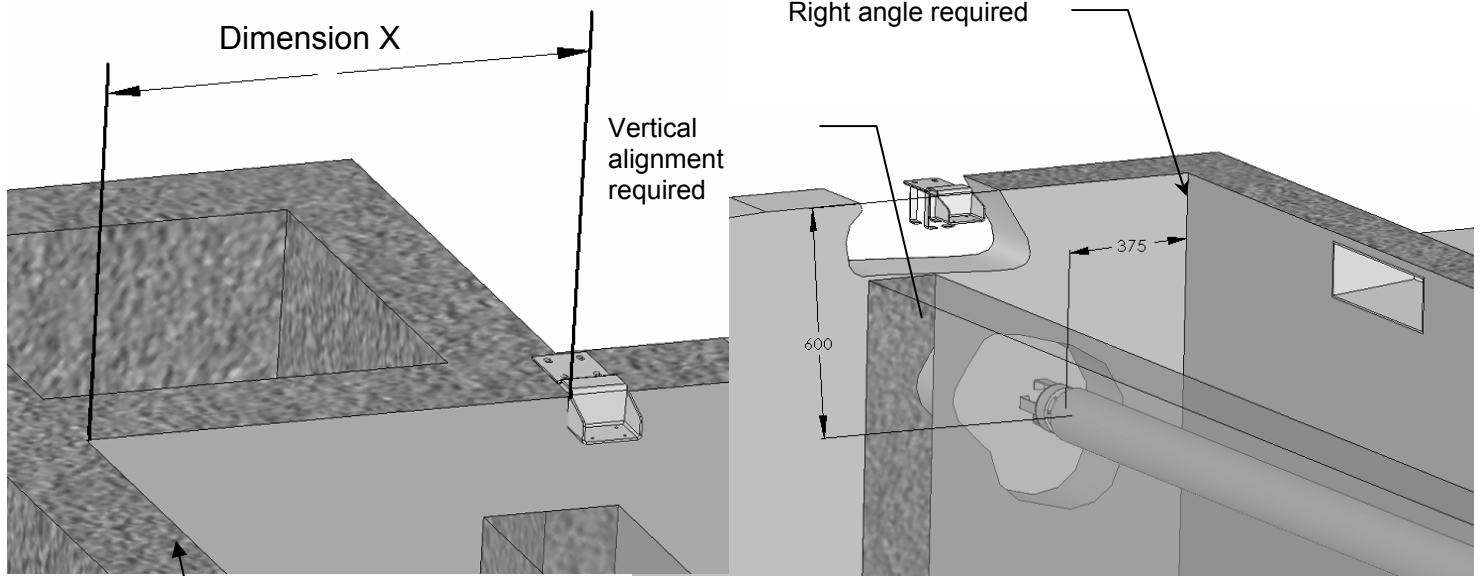


Note: The axis of the roller shaft and bearing should be perfectly parallel for good assembly and at 90° to the pool length wall

FIXING OF EMBEDDED PARTS

View from A

View from F



Dimension X:

Without partition X = 650

With partition X = 900

With different X

=>

standard pit cover 700

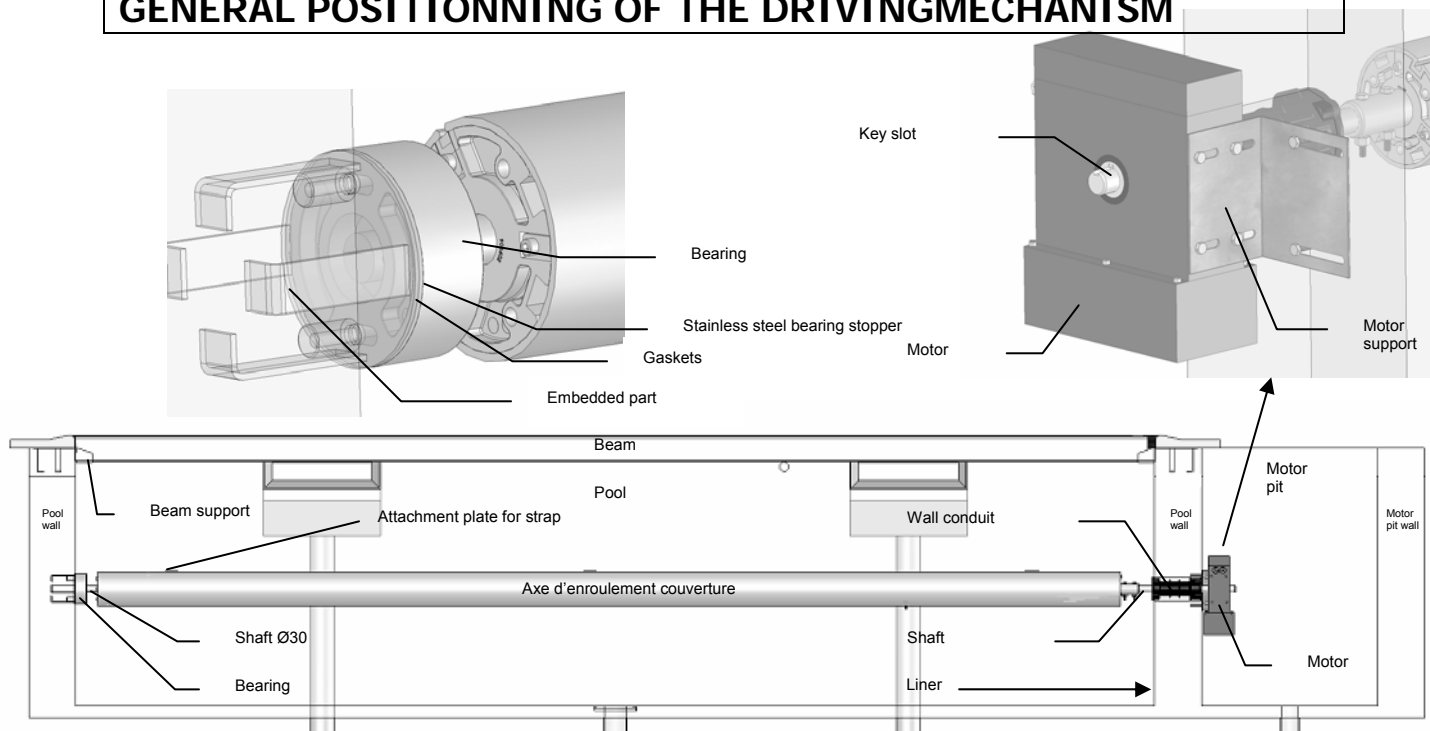
=>

standard pit cover 950

=>

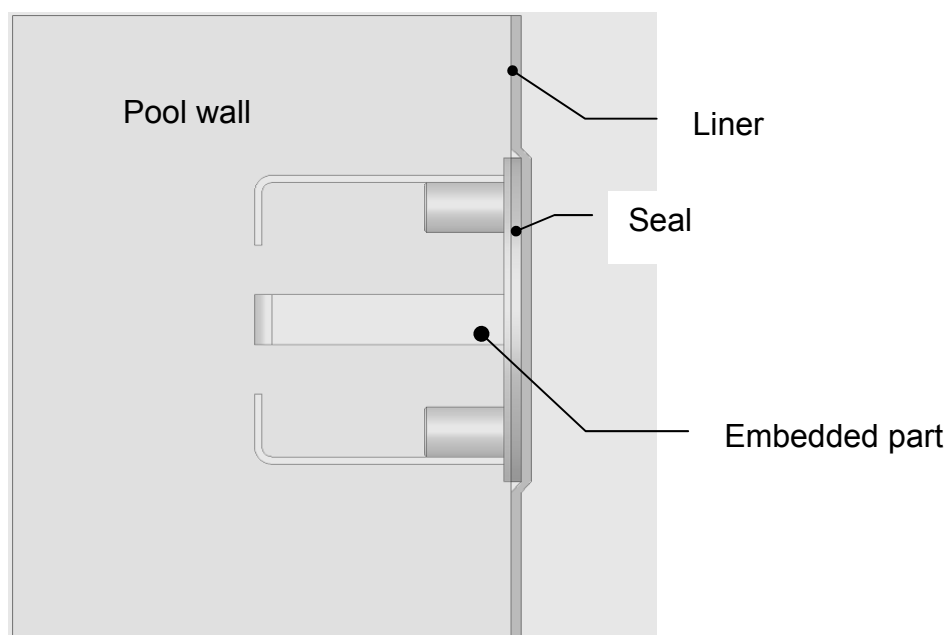
Cover according to measurements

GENERAL POSITIONNING OF THE DRIVING MECHANISM



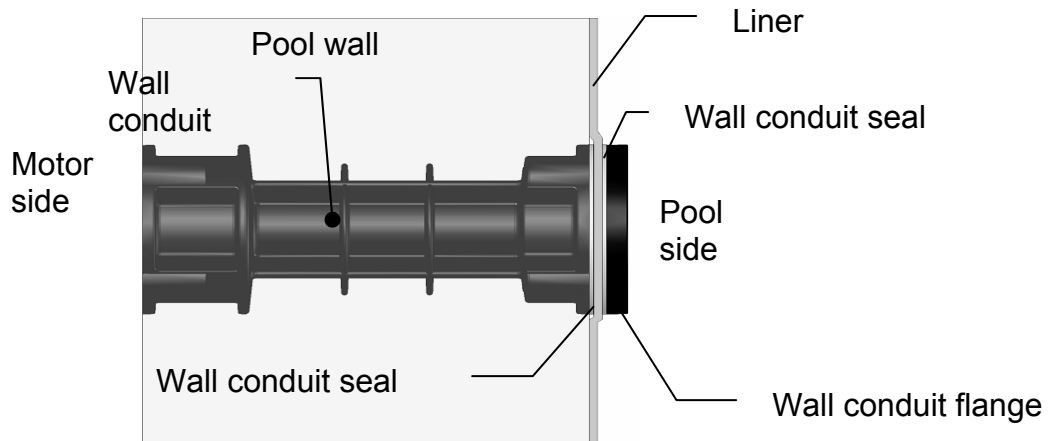
ENSURING WATER TIGHTNESS ON BEARING SIDE

- 1: Make sure the seal is under the liner.
- 2: Start filling the pool. Stop filling when the water is 10 cm below the part.
- 3: Mark the two holes under the liner, then drill so the reel shaft can be positioned.



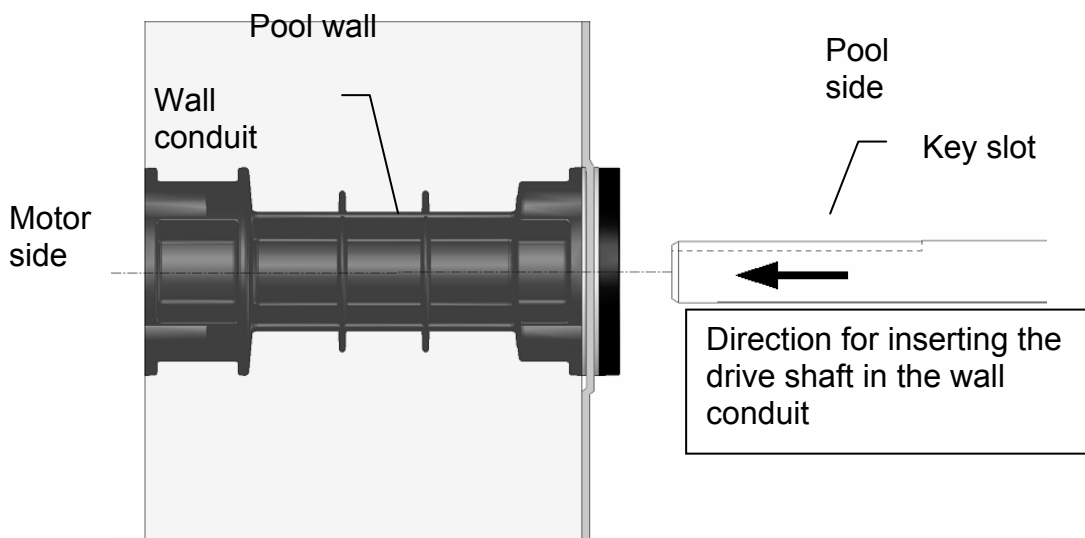
ENSURING WATER TIGHTNESS ON CONDUIT SIDE

- 1: Make sure the gasket is behind the liner.
- 2: Start the filling the pool. Stop filling when the water is 10 cm below the part.
- 3: Mark the four holes of diameter 8mm under the liner, then drill.
- 4: Glue the seal of diameter 100mm behind the front flange.
- 5: Attach the flange, using the four screws of diameter 8mm.
- 6: Cut the liner in the centre of flange.



MOUNTING OF MOTOR SHAFT IN THE WALL CONDUIT

- 1: Remove the protective adhesive of the wall conduit on the side of the vault used to house the motor.
- 2: Make sure the wall conduit opening contains no foreign bodies, and that the inner surface is clean.
- 3: Insert the stainless steel shaft, after cleaning and greasing, from the pool side toward the motor housing pit, with the key slot facing forward.

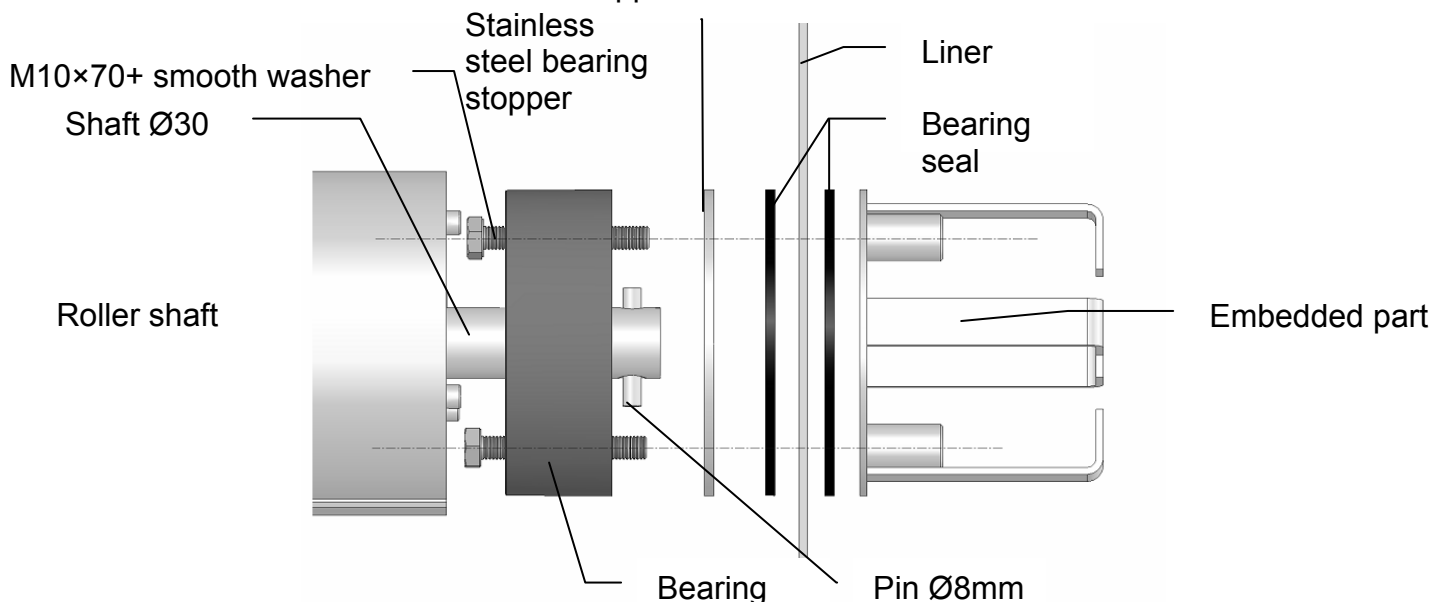


MOUNTING OF THE COVER ROLLER SHAFT

- 1: Lower the roller shaft into the pit.
- 2: Adjust the shaft horizontal level, taking all necessary precautions to avoid damaging the pool finish.

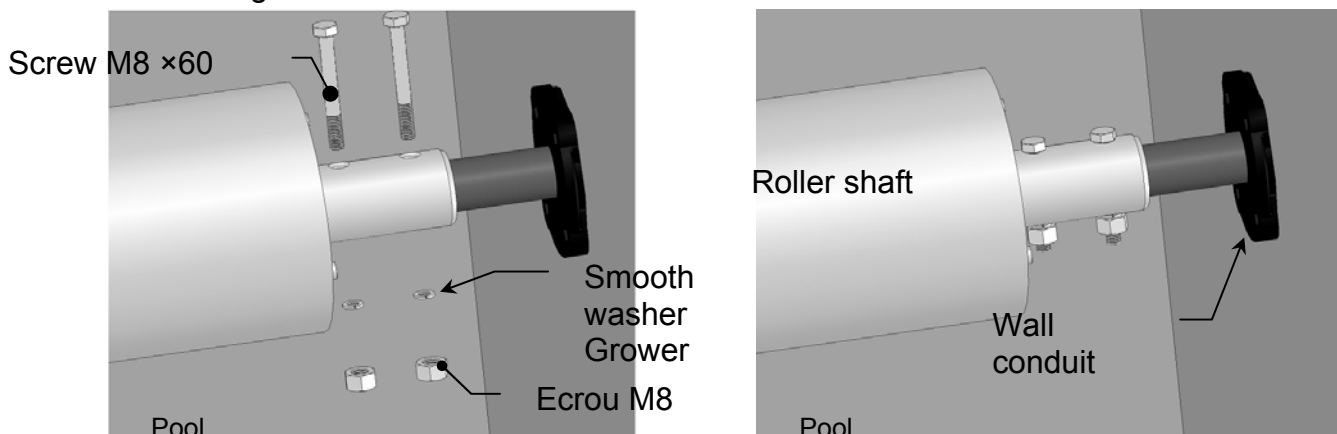
FIXING OF SHAFT ON BEARING SIDE

- 1: Glue the seal behind the bearing stop.
 - 2: Place the two hexagonal bolts with the washers through:
 - The bearing
 - The bearing stop
 - The seal
 - 3: Screw the two screws on through the liner, after drilling.
- Note: The roller shaft must be checked to be at 90° to the walls only after the roller is connected to the motor shaft on the opposite side.



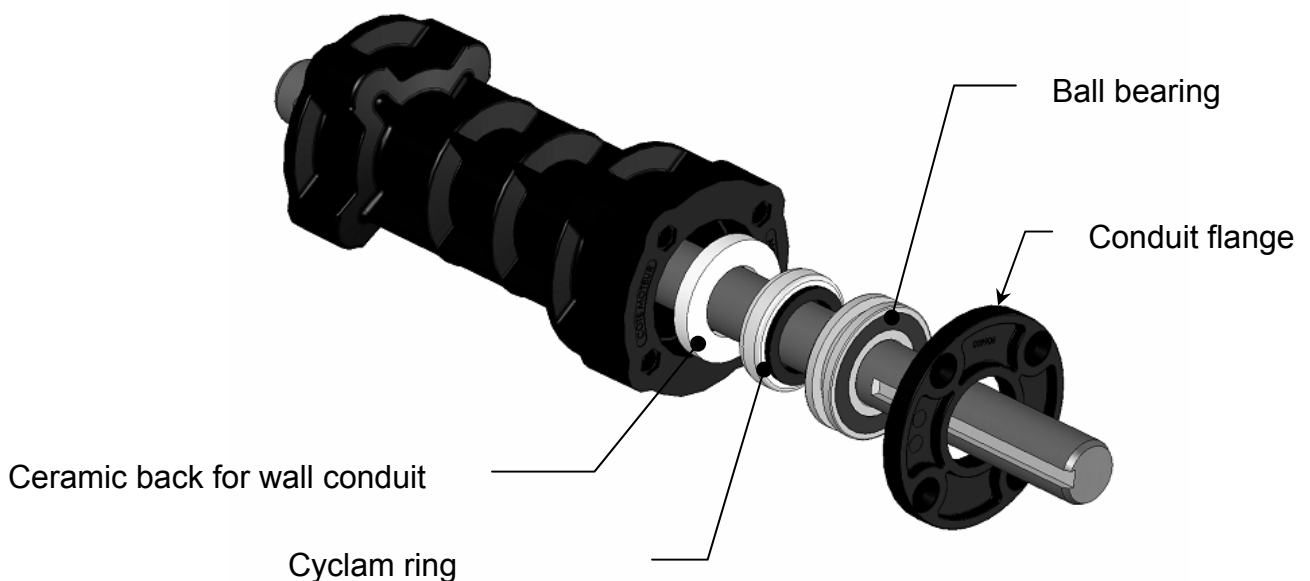
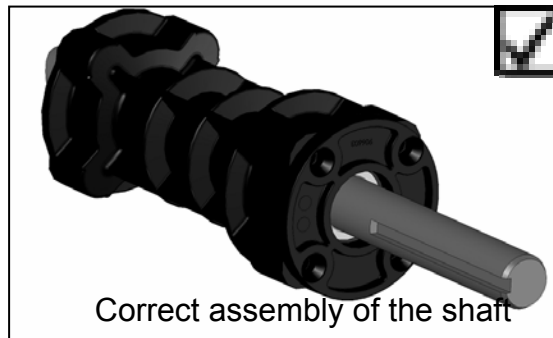
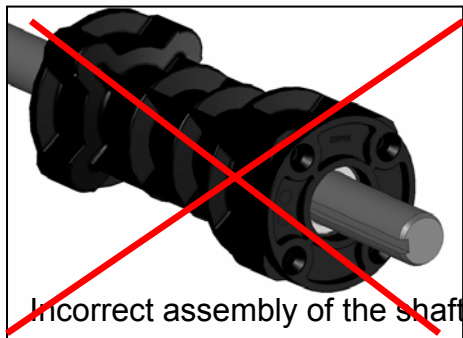
CONNECTING MOTOR SHAFT AND ROLLER SHAFT

- 1: Pull the motor shaft towards the pool, place it in the coupling and assemble with two Stainless Steel 8×60 mm pins and lock washers.
- 2: Check the squareness of the reel shaft or hub when winding. If necessary, correct by horizontally shifting the bearing, and then firmly tighten the two hexagonal bolts of the bearing.



MOUNTING OF A MECHANICAL SEAL

- 1: Check that the ceramic back of the mechanical seal is not damaged and is clean.
- 2: Introduce the ring cyclam in the roller shaft
Attention: Spring side bearing!
- 3: Grease and insert the winder.
- 4: Attach the conduit flange using the four 8×30mm countersunk screws

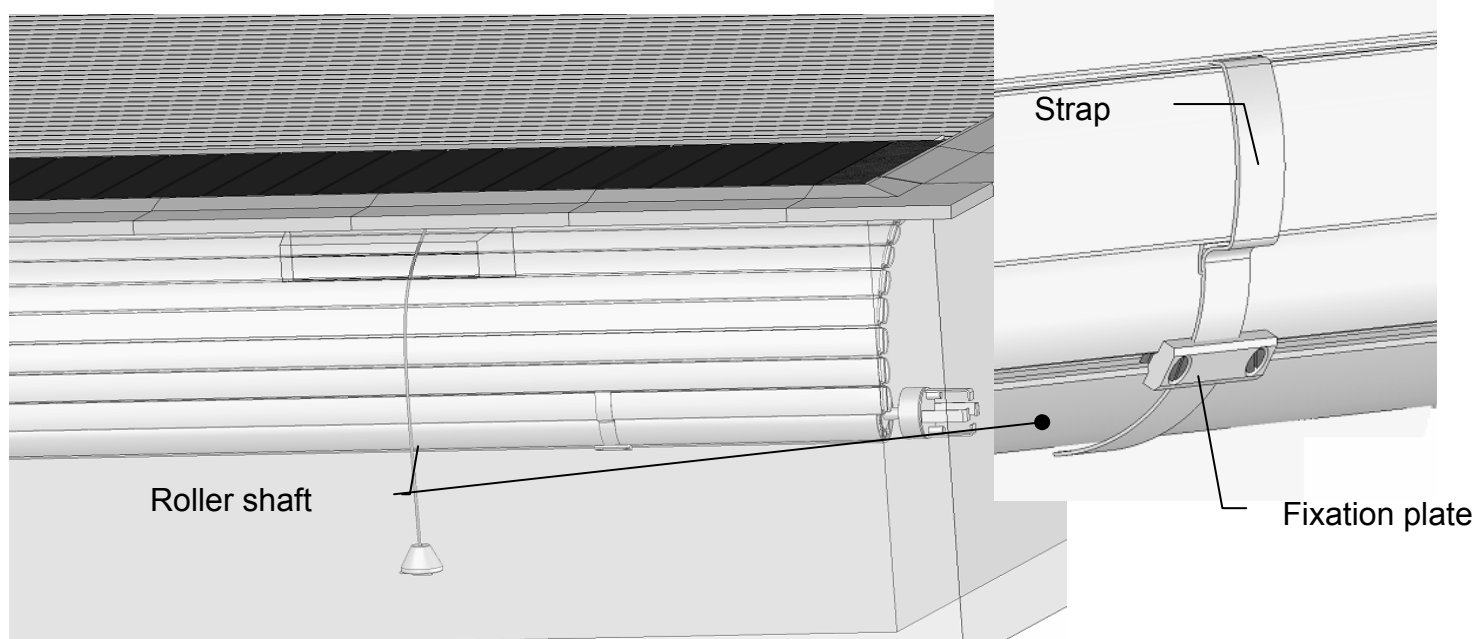


Caution!

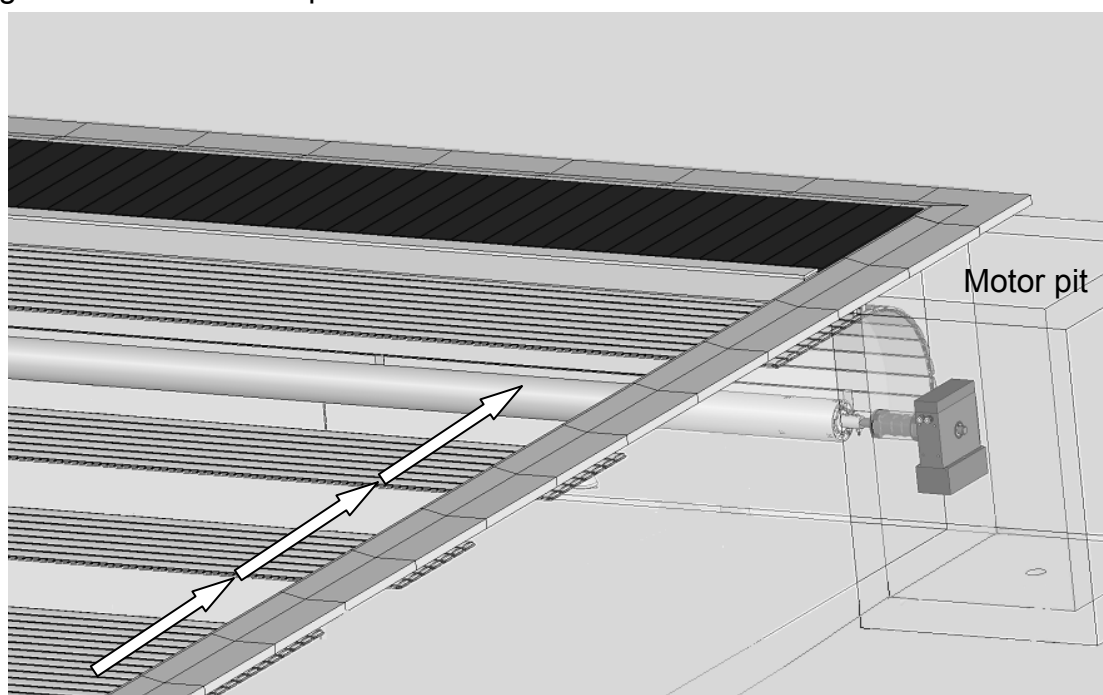
- 1: Check that the entire key slot remains outside the seal area, otherwise there will be leakage.
- 2: Check that the shaft turns properly and there is no point where it gets blocked.

SLAT ASSEMBLY

- * Immediately after taking the slats out of the packaging, they should be put into the water to prevent any possible deformation.
- *The number of slats has been determined according to the length of the pool, though there are 4 extra slats.
- * The first set of slats is easily recognisable as it has the straps to be fastening to the roller.



- *Slide the strap under the fastening plates.
- *Centre the cover in the pool leaving enough space on both sides.
- *Tighten the attachment plates with a screwdriver

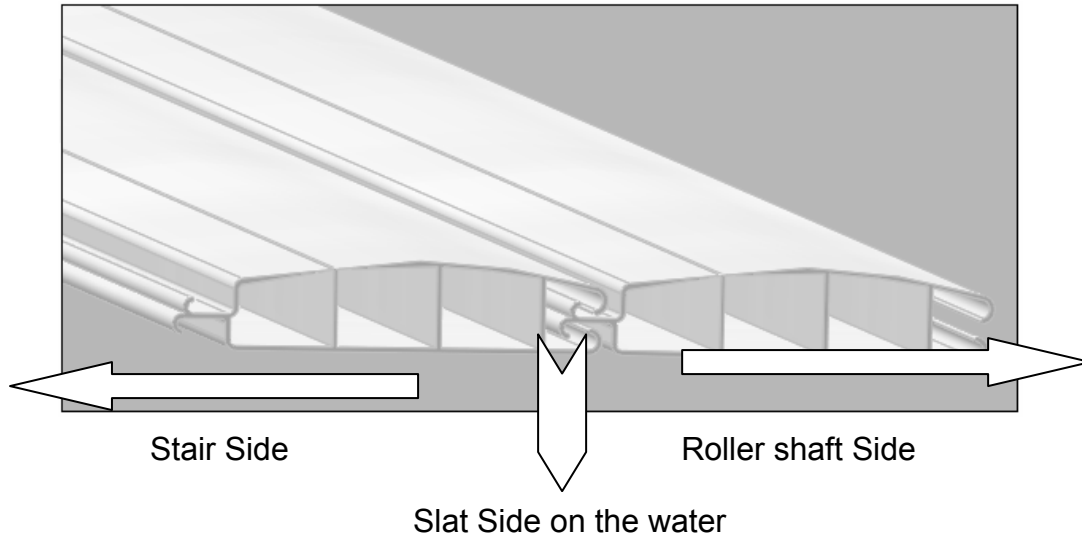


- * Bring closer the set of 7 slats to assemble them.

SLATS DIRECTION

- * Identify the upper side of the slats (curved side).
- * Identify the slats direction:

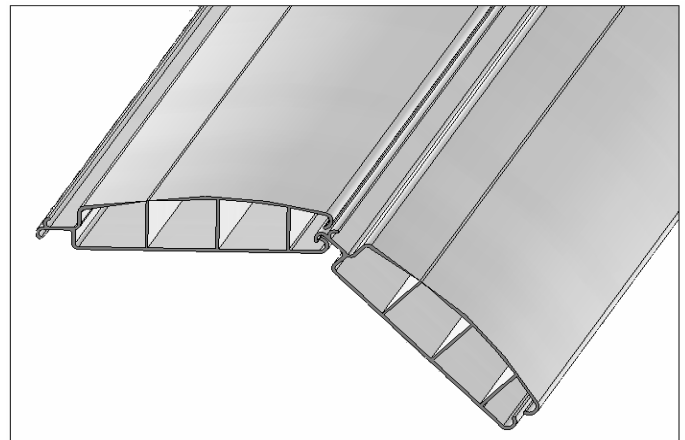
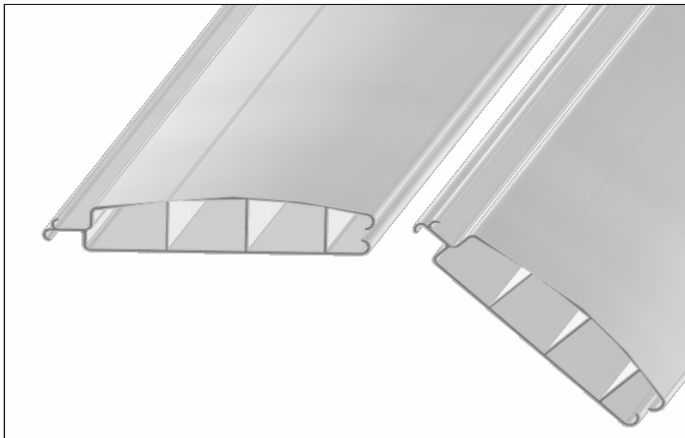
- Wing to the stair
- Groove to the roller shaft



SLATS ASSEMBLING

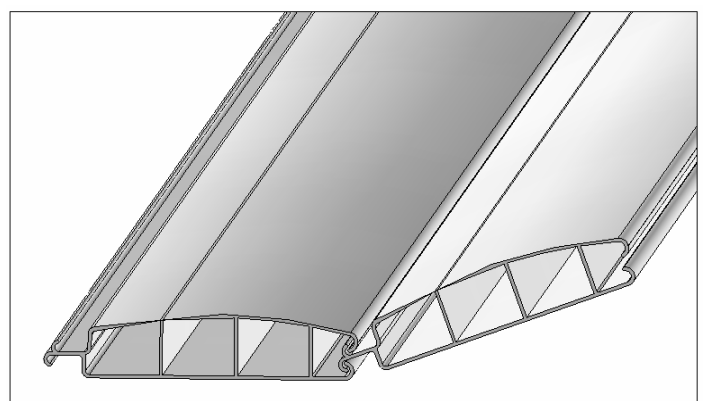
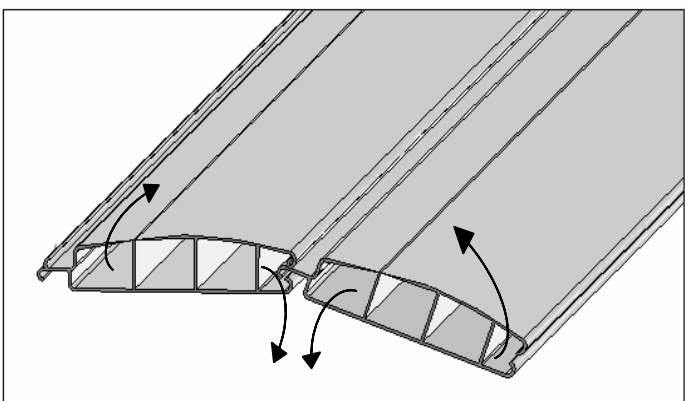
Phase 1: Join the slats

Phase 2: Join the wing to the groove

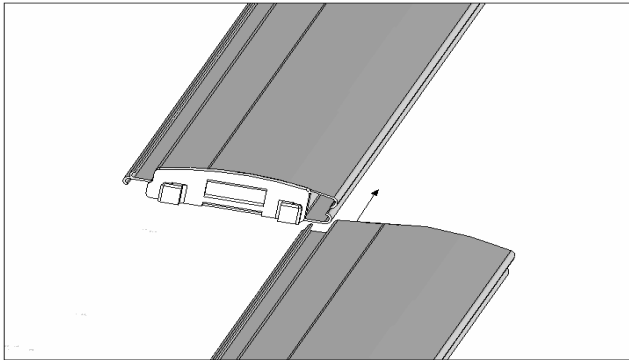


Phase 3: Move both slats down

Phase 4: Move them up and carry on with it until slats are perfectly engaged.

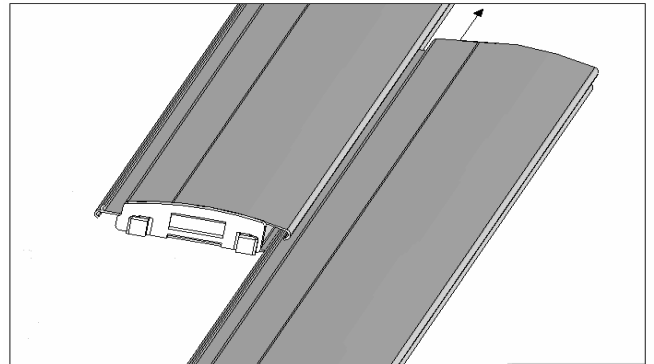


ASSEMBLING OF SLATS WITH MELTED CAPS:



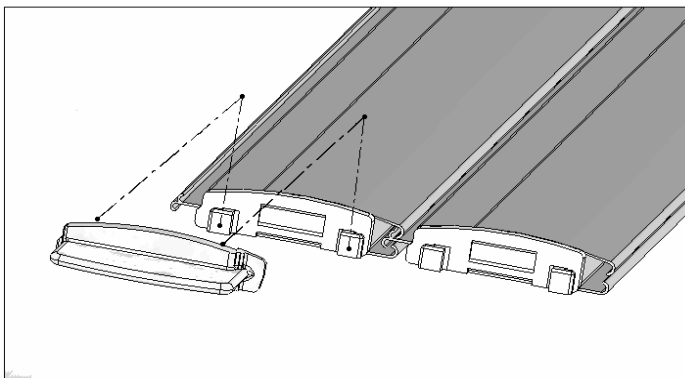
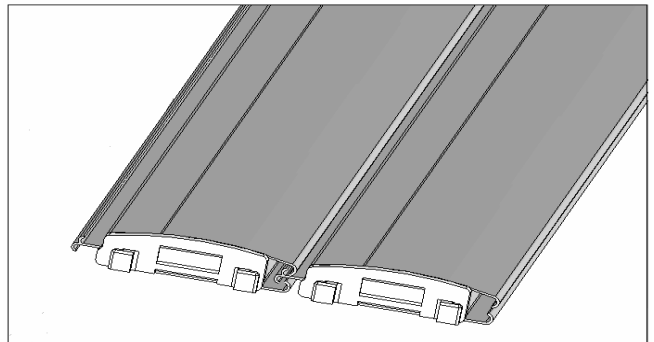
Phase 1:

Place both slats (see above) wing to groove. Be careful with the slats direction.



Phase 2:

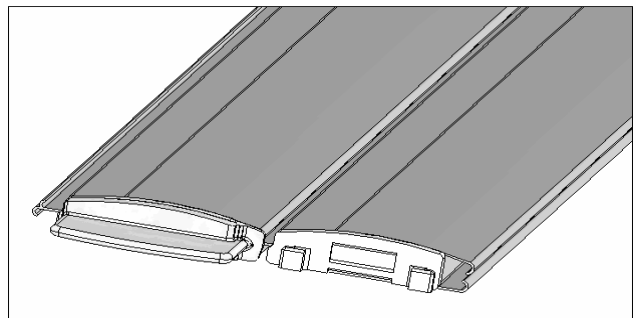
Slide the slats along. Stop it at the when the edges of of the slats are on line.



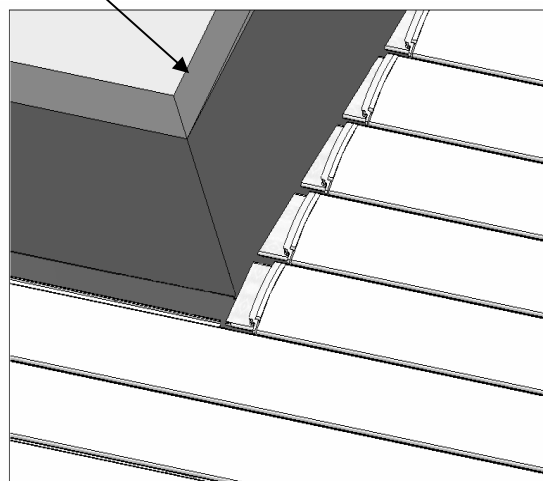
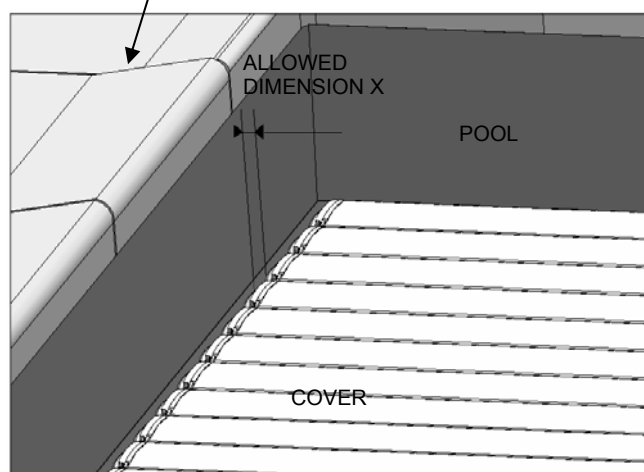
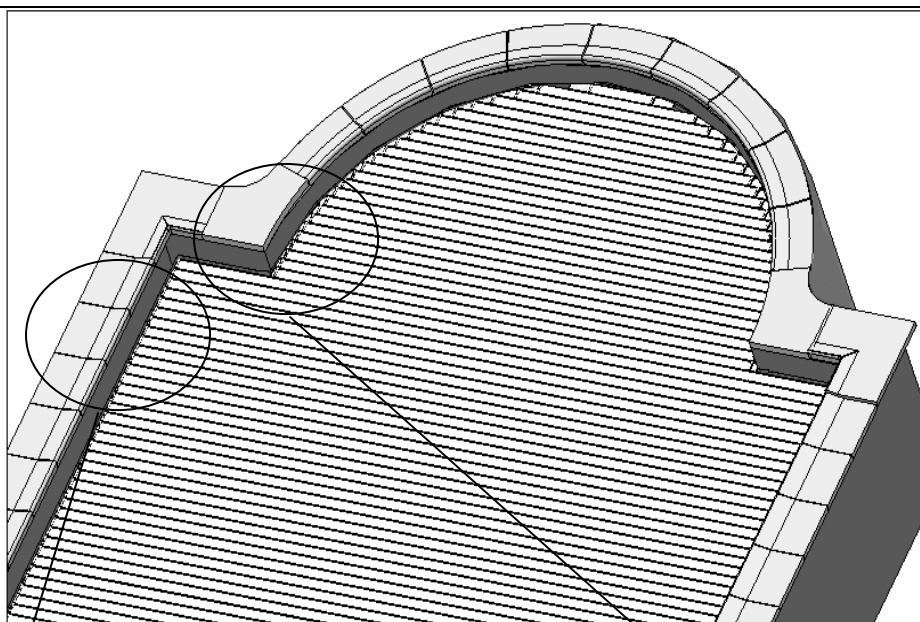
Phase 3:

Place the removable wing on to the slat and assemble the wing on to the cap

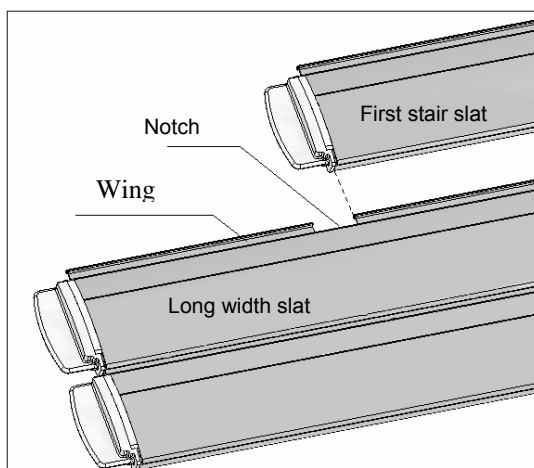
Do the same for the following ones.



STAIR SETTING



- 1°) Put the stair slats on the water
- 2°) Assemble the slats until the stairs are completely assembled.
- 3°) Centre the big width slats in the pool (allowed dimension X: from both sides of the pool)
- 4°) Centre the stair using this slat.

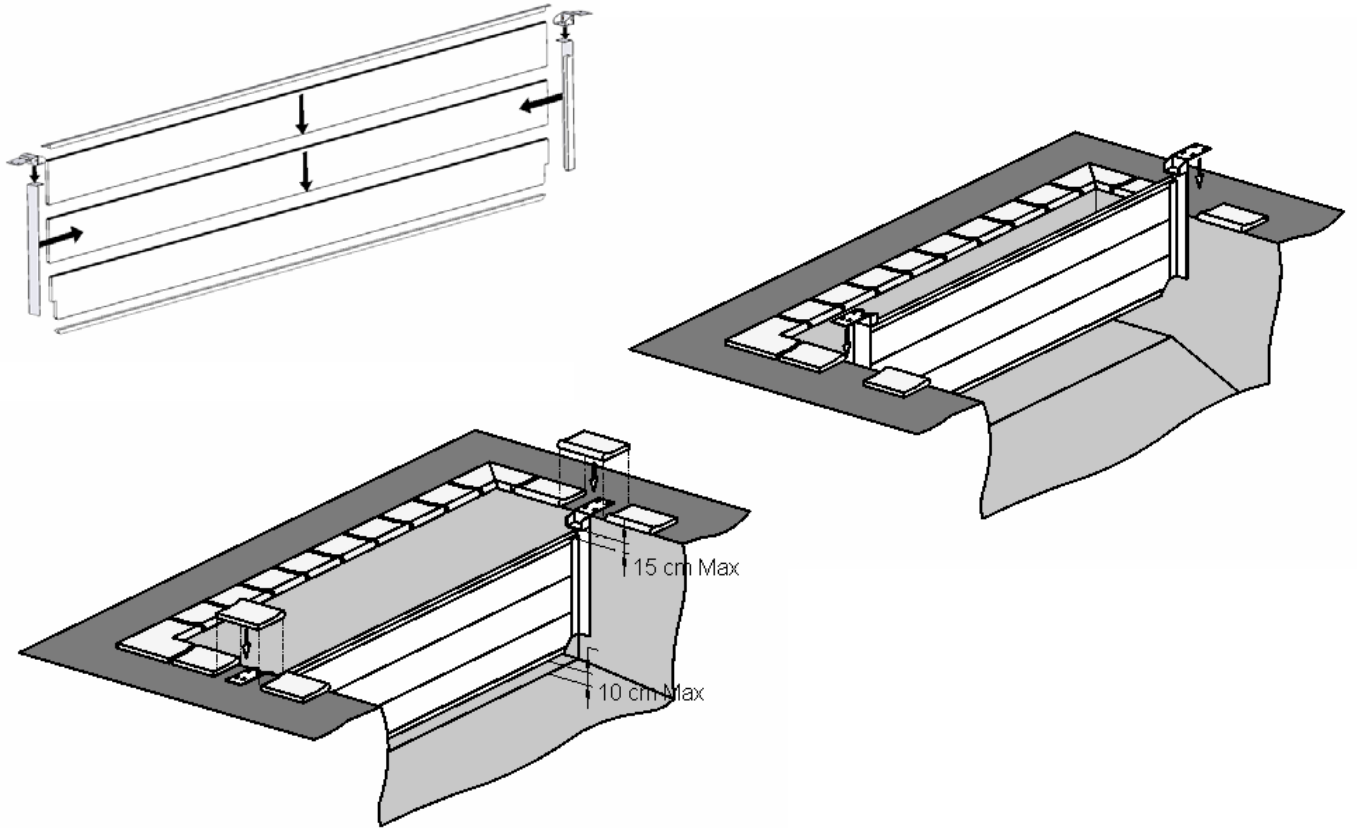


To assemble the stair slats to the pool slats, proceed as follows:

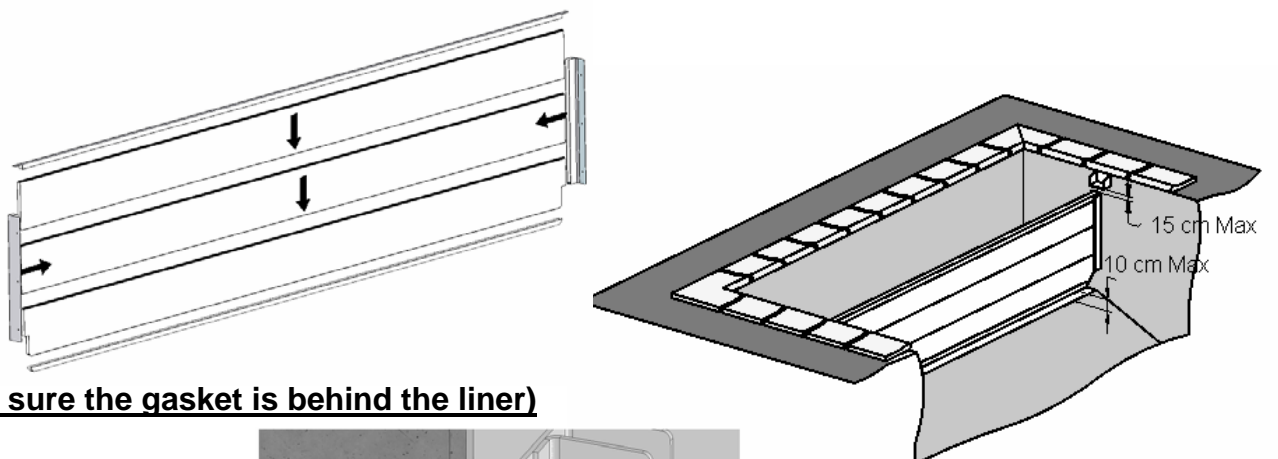
- ▶ Mark the position of both cap edges of the stair slat on the wing of the long width slat.
- ▶ Make two notches of a cap dimension on both sides of the stair on the wing of the long width slat without hurting the waterproof of the slat.

PARTITION ASSEMBLY

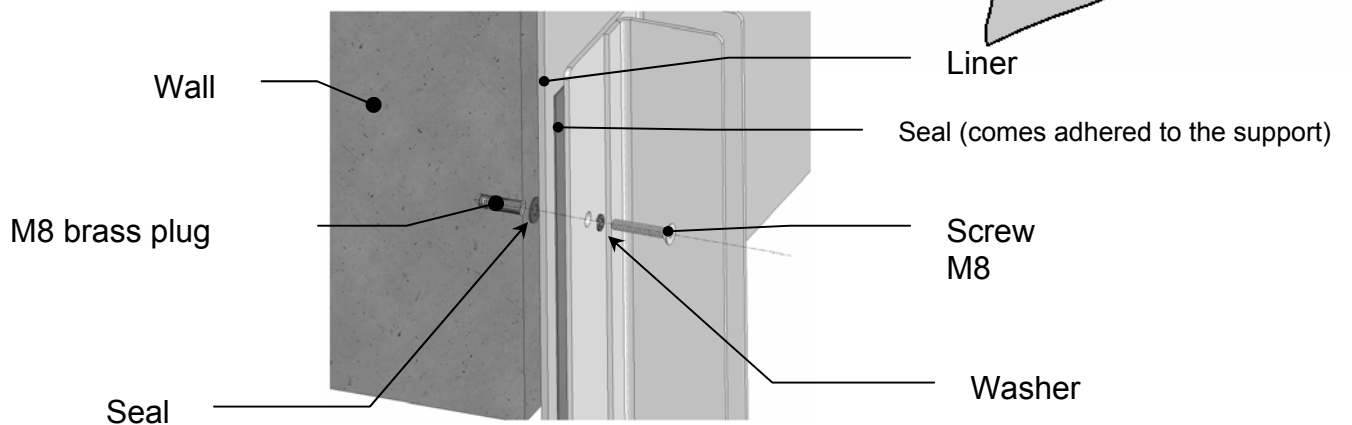
1) Hanging partition model (attached below the coping stone)



2) Partition model for attachment to vertical walls

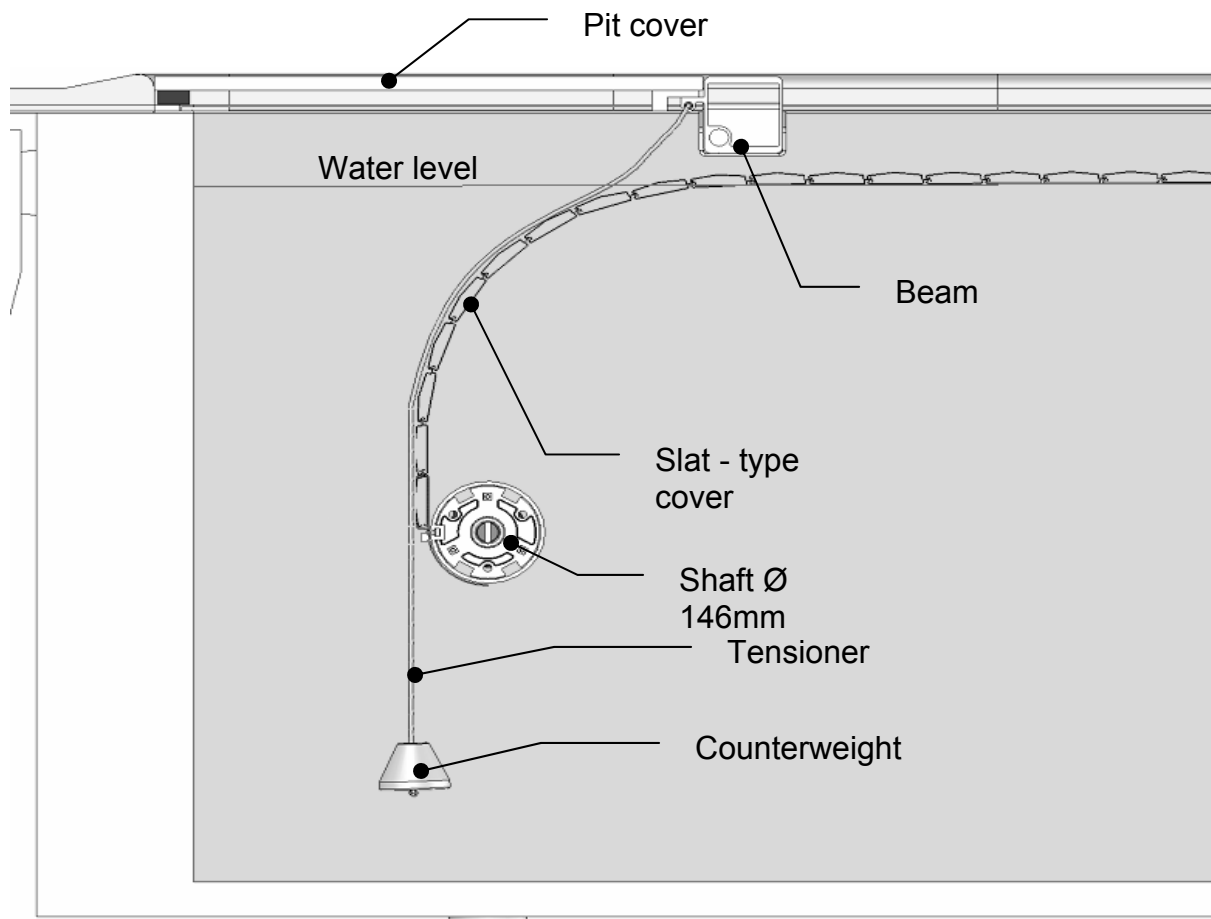
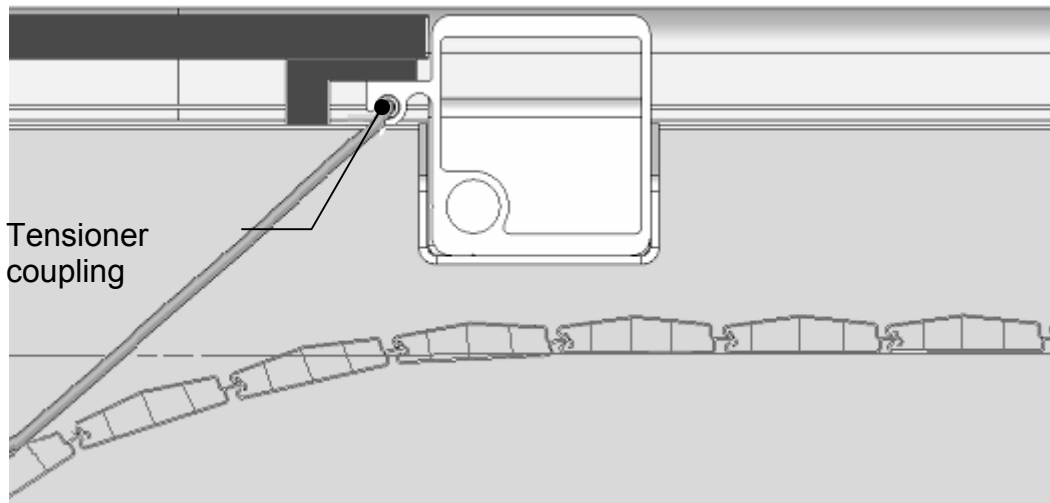


Make sure the gasket is behind the liner



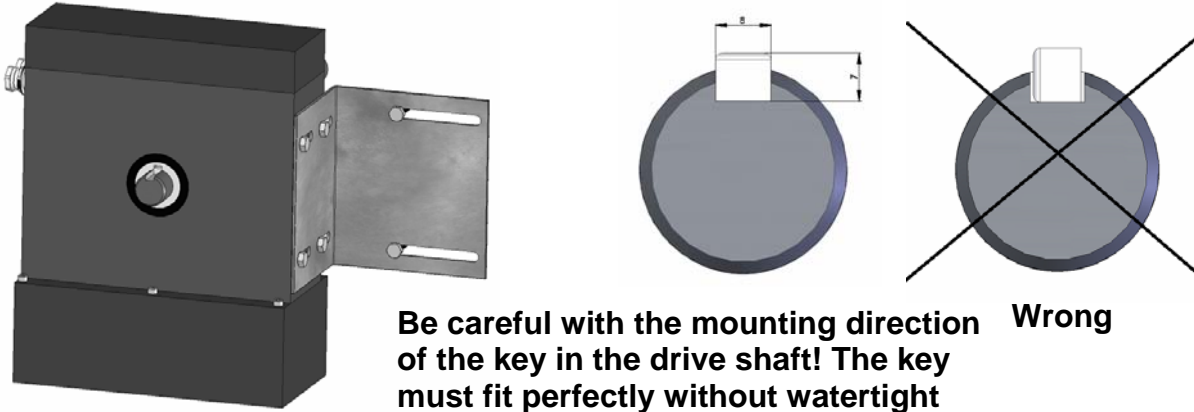
MOUNTING OF BEAM AND COUNTERWEIGHTS

- 1: Place the two beam support brackets on the embedding parts for the beam support, previously fixed, or directly on the wall, using screws.
- 2: Slide the counterweights along the beam slot and place Aluminium beam on support bracket.
- 3: Adjust the length of the counterweight when cover is completely unrolled over the pool surface. The counterweight should not touch the floor.
- 4: Place pit cover as indicated in the diagram (note: the beam section has been calculated to withstand pit cover only. Do not cover with concrete slabs).



MOUNTING OF MOTORIZED GEAR BOX

- 1: Make sure the motor shaft and cover are clean.
- 2: Grease the assembly
- 3: Fit the motorized gear into the Stainless Steel shaft. Do not use force, and make sure the direction is correct: limit switch device facing upwards
- 4: Try to mount the lock key. (Be careful with the direction! See drawing). This operation must be carried out manually and without exerting force.



- 5: Attach the motor bracket to the motor, using the two 8×12 mm hexagonal bolts.
- 6: Attach the bracket to the wall with two 8×50mm screws and the two pins.
- 7: Grease the connection pin and assemble manually.
- 8: Insert the power cable for the limit switches through the gland seals. (Make sure the assembly is perfectly watertight).

ELECTRICAL INSTALLATION

The electrical installation must be done in accordance with C15100 and P91C by a properly trained and qualified electrician
 Protect the 220 Volts power for the box with a 30 mA circuit breaker (Not included)

Power cable
 2×4mm² up to 15m
 2×6mm² from 15 to 25m
 2×10mm² from 25 to 50m
 Electrical cable 3×1.5mm²

30 mA circuit breaker 220 V power
 Cable 3×2.5mm²

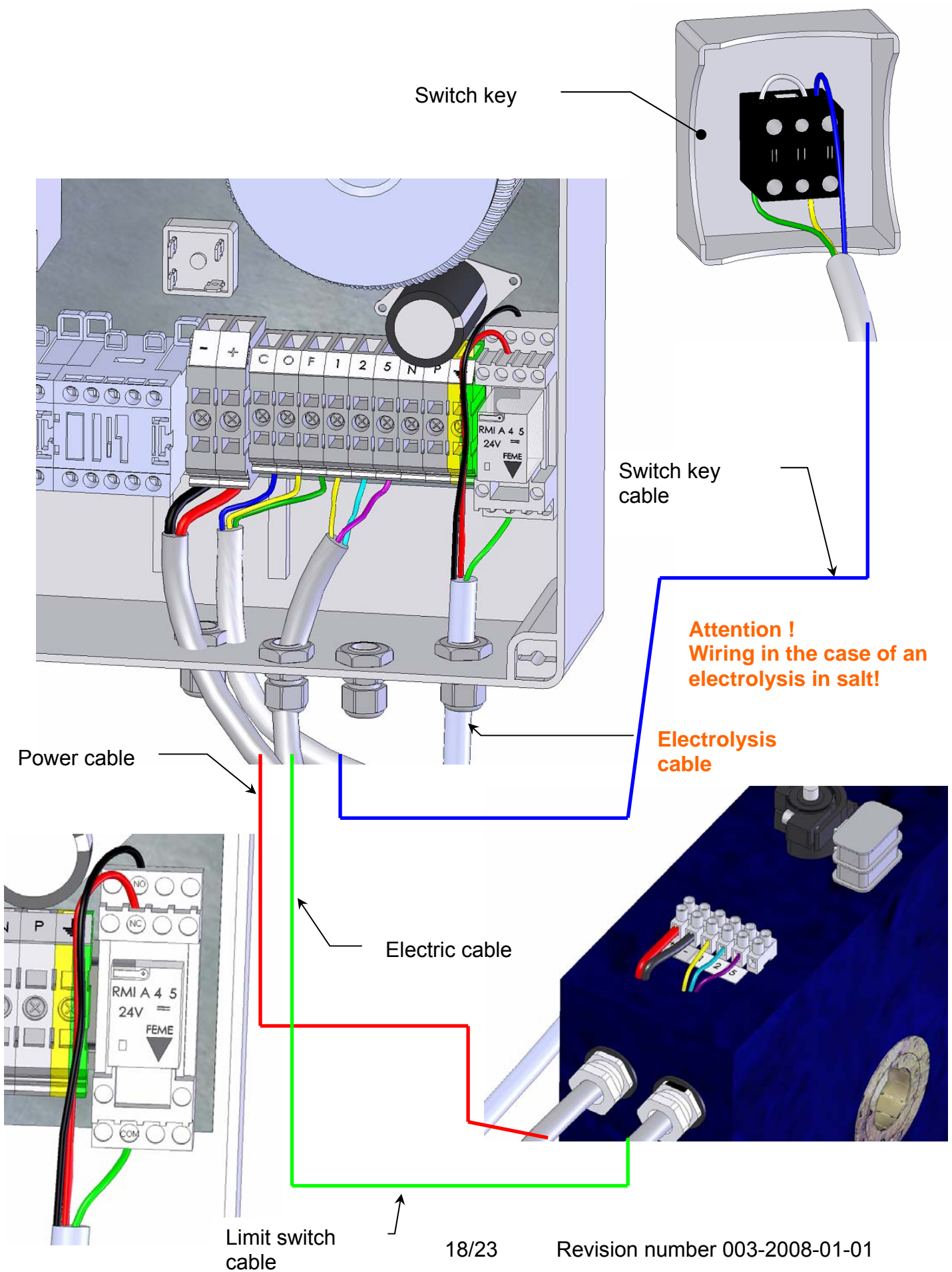
Key switch with view on the swimming pool

Câble de fin de course
 - 3×1.5mm²

Cable 3×1.5mm²

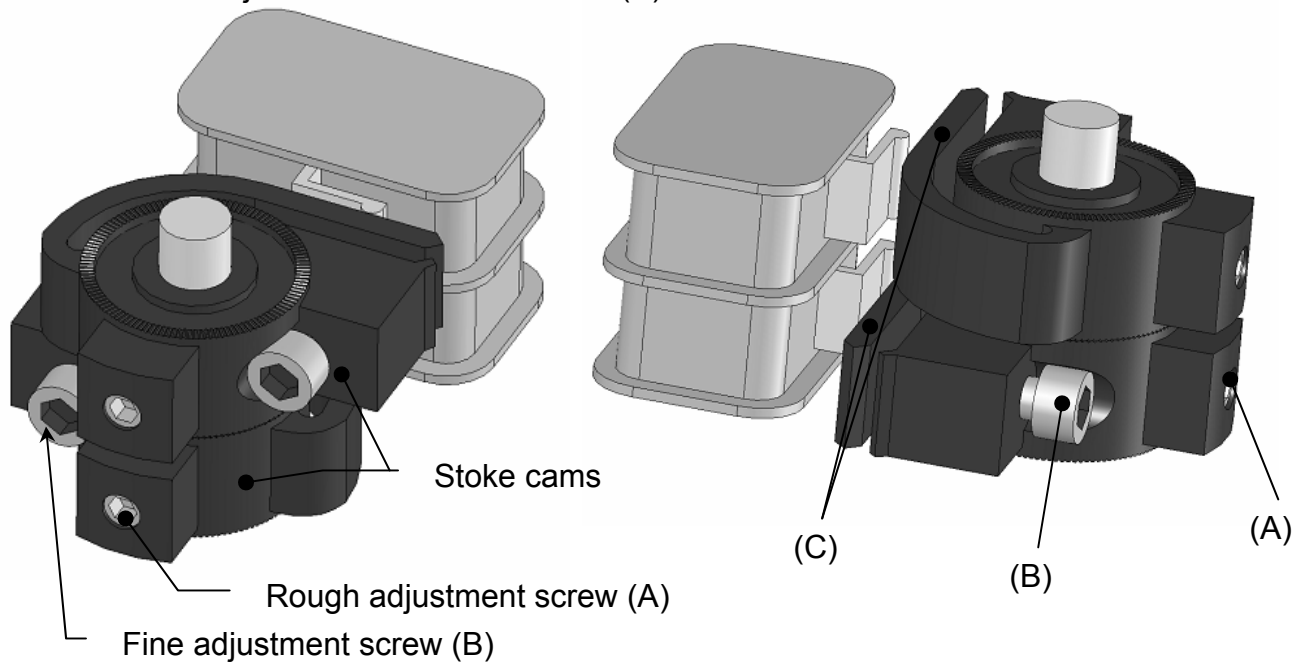
Note: Motor ECA 120: 120Nm, 24 Volts, 7 Amp.
 Motor ECA 250: 250Nm, 24 Volts, 10 Amp.

PLAN OF WIRING



LIMIT SWITCH ADJUSTMENT

- 1: Adjust the limit switch, starting with the cover completely extended over the pool.
- 2: Loosen the adjustment screws indicated (A) on the two cams.



ADJUSTMENT OF COVER OPENING

- 1: Turn the switch key to rolling-up position and check the rotation direction of the motor. If required, reverse the O and F cables of the key switch.
- 2: Position the cams to allow the winder to stop. Make sure the adjustable of the cam in question is well attached to the switch (see C on the drawings).
- 3: Roll up the cover so skimmer operation is easier and adjust the respective limit switch by turning the cam toward the switch. Then tighten the screw with mark (A).

ADJUSTMENT OF COVER CLOSING

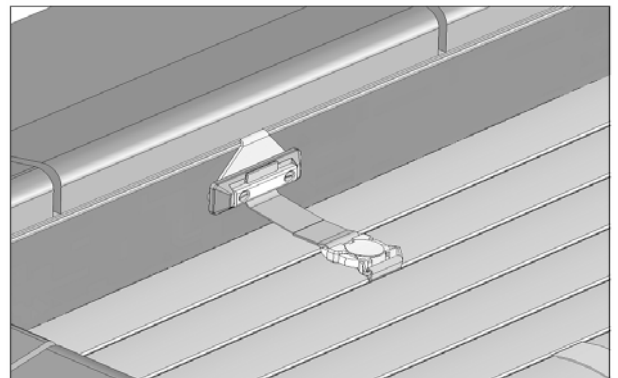
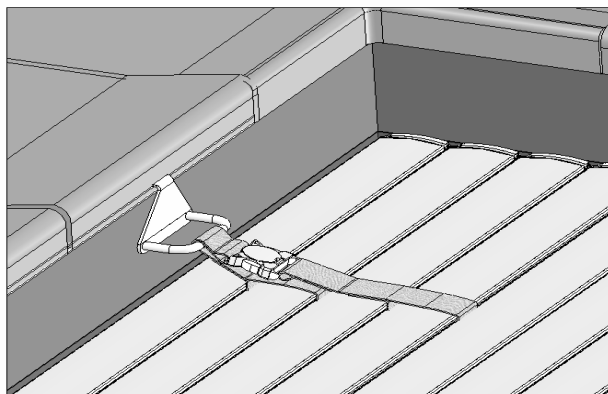
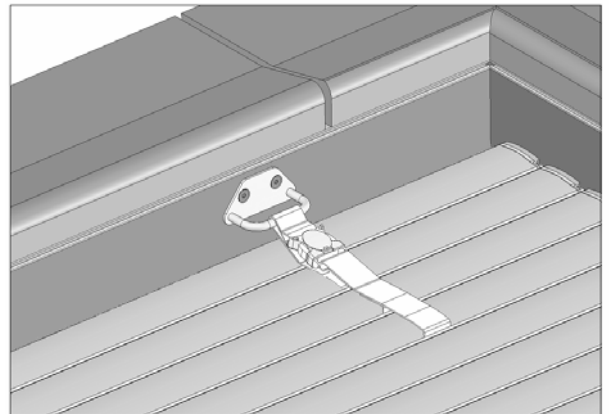
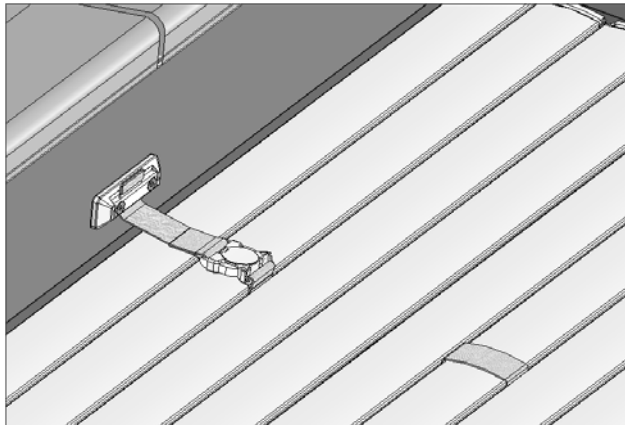
- 1: Turn the switch key to cover closer position until the automatic cover is completely unrolled.
- 2: Adjust the limit switch cam for closing as indicated next.

NOTE:

If necessary, adjust the limit switches carefully by using screw (B), that operates the deformable tongue of the cam (C).

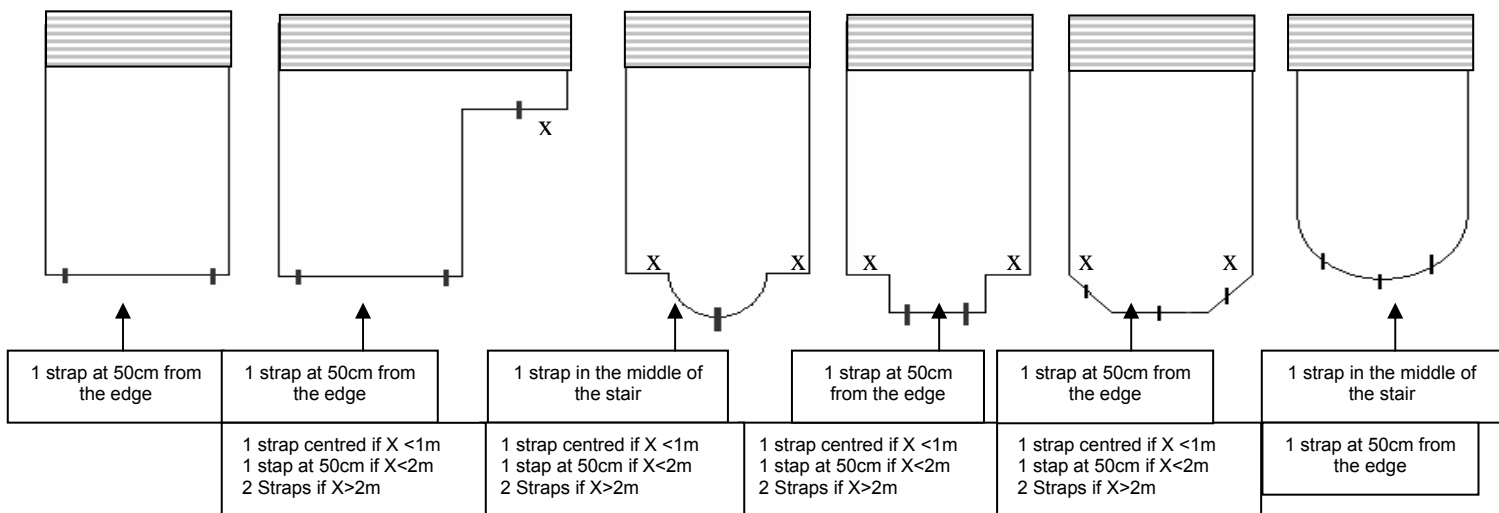
- While screwing the screw (B) to stop earlier
- While unscrewing the screw (B) to stop later.

BRACKET AND STRAP POSITION



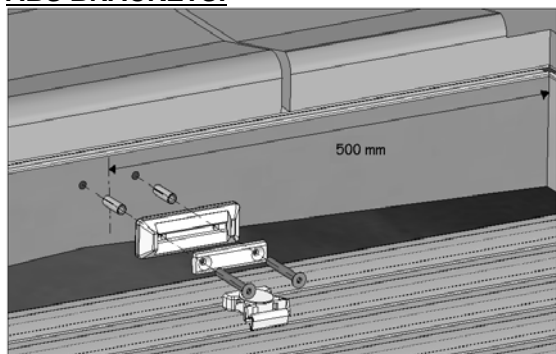
Warning: The position of the brackets is subject to the position of the skimmers in the pool. If these lasts bother the positioning of the safety Brackets, the positioning of the Brackets will be done taking into account the safety Brackets on the slats panels (If necessary move the straps)

POSITION OF BRACKETS AND THE STRAPS

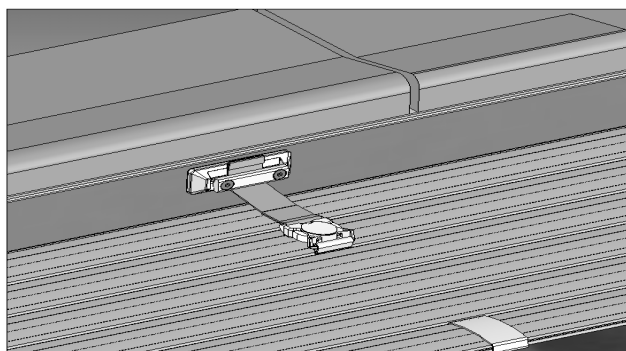


SAFETY BRACKETS POSITIONING:

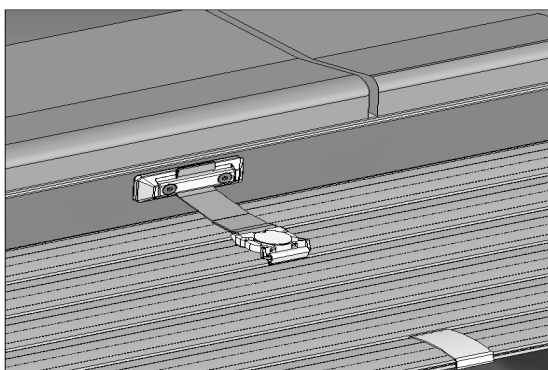
ABS BRACKETS:



1) When positioning the brackets make sure the shaft of the brackets is placed at 500 mm from the edge of the pool.

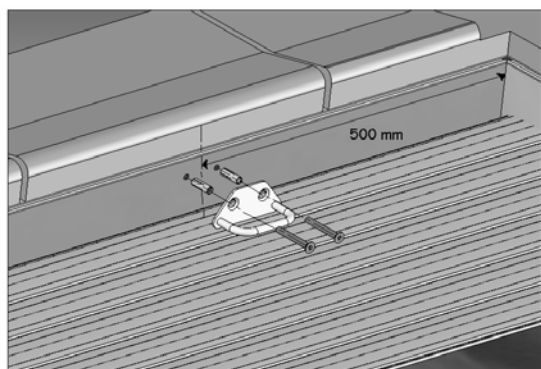


2) Pin the supports. Put the strap between the fixation plate and the bracket and keep the strap tense.

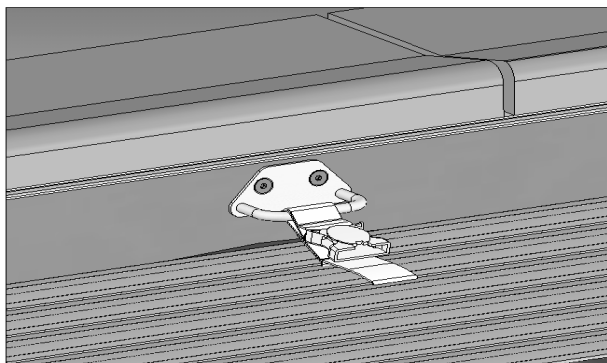


3) Tighten the screws until complete closing of the brackets.

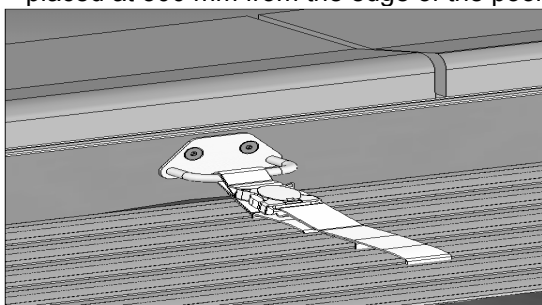
Bracket Inox to be fixed to the wall + screws:



1) When positioning the safety brackets the shaft of the brackets must be return type placed at 500 mm from the edge of the pool.

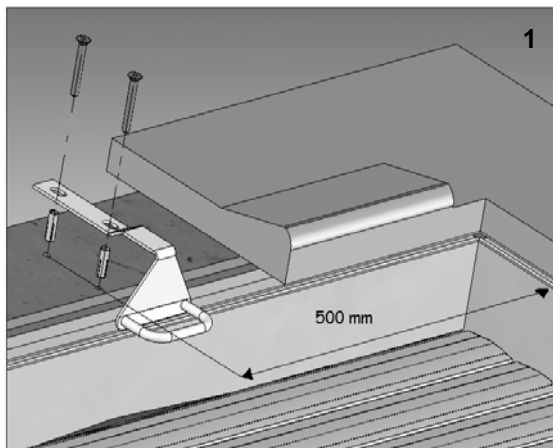


2) Screw the supports.
Put the return safety strap.

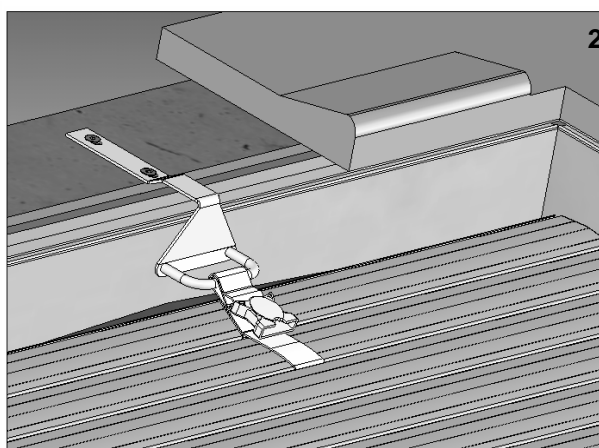


3) Clip both sides together.

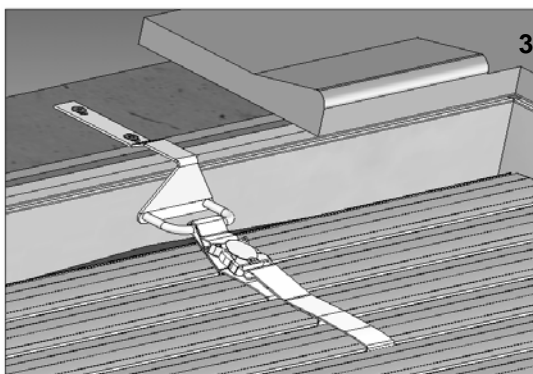
Inox Bracket for model under construction + screws:



1) When positioning the safety brackets, The shaft of the brackets must be put at 500 mm from the edge of the pool.

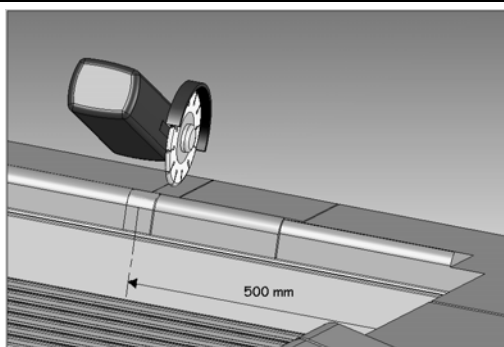


2) Put the pin M8 in the Ø10 wholes. Screw until complete closing of the brackets. Put the return safety strap in the brackets.

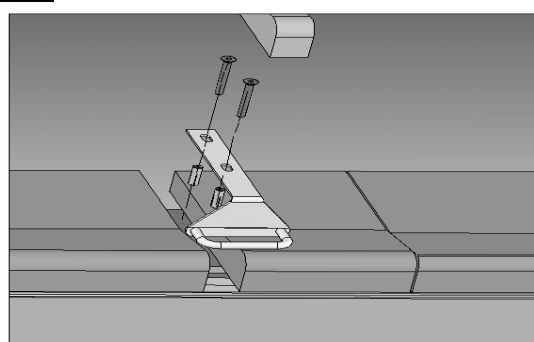
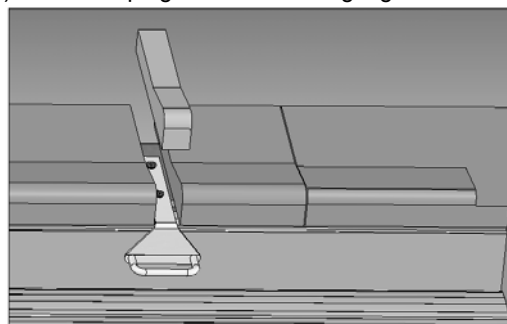


3) Clip both sides together.

Inox Brackets for renovation model + screws:



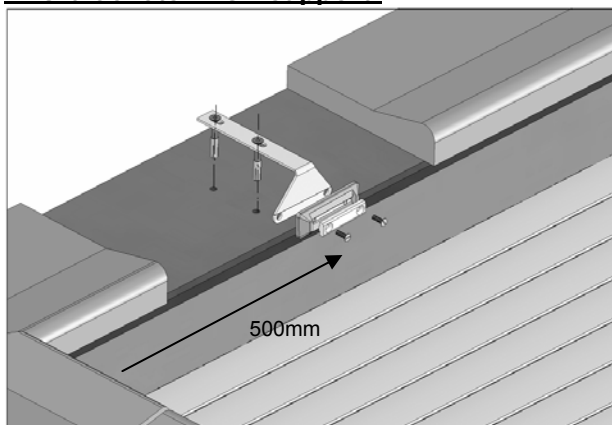
1) Cut the coping stone with a angle grinder



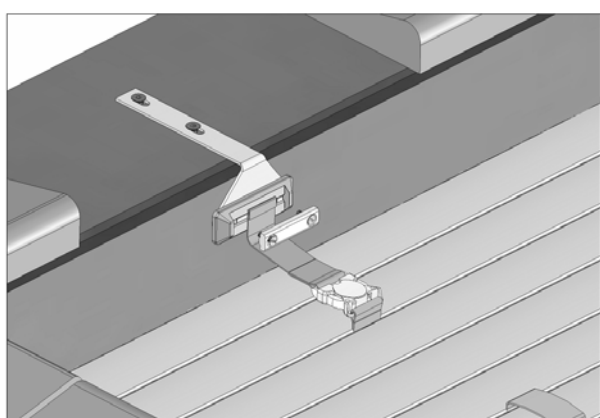
2) Make two Ø10 wholes. Place the M8 pin in the wholes. Screw until complete closing of the safety brackets.

Put the straps through as per drawings 2 and 3.

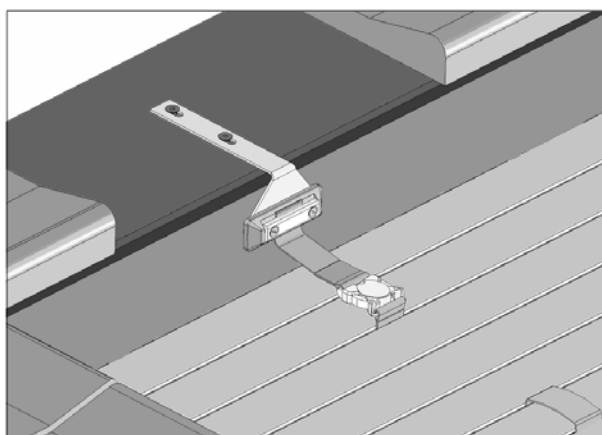
3) Replace the coping stone cut with an adequate product.

ABS brackets INOX support:

1) When placing the safety brackets, The shaft of the brackets must be placed at 500 mm from the edge of the pool.



2) Screw the supports. Put the strap through the fixation plate and the strap. Clip both sides of the strap and keep it tense.



3) Tighten the screws until complete closing of the brackets.

ATTESTATION DE CONFORMITE

aux exigences de sécurité de la norme NF P 90-308 (mai 2004)

Éléments de protection pour piscines enterrées non closes privatives à usage individuel ou collectif – Couvertures de sécurité et dispositifs d'accrochage

*Certificate of Conformity with the safety requirements of NF P 90-308 (May 2004) Standard
Protective elements for in-ground, barrier-free, private or collective use swimming pools – Safety covers and securing devices*

Type de couverture de sécurité : Couverture de type volet automatique
Type of safety cover:

Modèle : ROUSSILLON
Model

Fabricant : EUROPEENNE DE COUVERTURE AUTOMATIQUE
Manufacturer:
661 rue J.B. Biot – Espace Polygone
66000 PERPIGNAN

Demandeur de l'attestation : EUROPEENNE DE COUVERTURE AUTOMATIQUE
Applicant:
661 rue J.B. Biot – Espace Polygone
66000 PERPIGNAN

Au vu du rapport d'examen sur dossier référencé E020017/CQPE/5, la couverture essayée est déclarée conforme aux exigences du document de référence.

On the basis of the results contained in the report reference E020017/CQPE/5, the safety cover tested is declared in conformity with the requirements of the above referenced document.

Trappes, le 2 novembre 2004

Le Chef de la Division
Produits pour l'Enfance
Head of Childhood Products Division



Nicole COURCAULT

Cette attestation est délivrée dans les conditions suivantes :

1. Elle ne s'applique qu'à l'article essayé et pour les essais réalisés ou pour les informations qui sont consignés dans le rapport référencé ci-dessus. "Le LNE décline toute responsabilité en cas de non-conformité d'un des éléments de l'article essayé pour lequel le demandeur a fourni au LNE un certificat ou une garantie de la conformité aux normes en vigueur, le demandeur étant seul responsable de la véracité des documents qu'il produit au LNE."
2. Elle n'implique pas qu'une procédure de surveillance ou de contrôle de fabrication ait été mise en place par le LNE.
3. La conformité à la norme référencée ci-dessus n'exonère pas de la conformité à la réglementation en vigueur.
4. Des copies peuvent être délivrées sur simple demande auprès du demandeur.

This certificate is issued under the following conditions:

1. It applies only to the tested item and to the tests or information specified in the report referenced above. "The LNE declines any responsibility in the event of non conformity for one of the elements of the article tested for which the applicant provided to the LNE a certificate or a guarantee of the compliance with the standards in force, the applicant being the only person responsible of the veracity of the documents that he produces to the LNE."
2. It does not imply that LNE has performed any surveillance or control of its manufacture.
3. The conformity to the above referenced standard does not exempt from the conformity to the regulation in force.
4. Copies are available upon request by the applicant.



WE RESERVE THE RIGHT TO CHANGE ALL OR PART OF THE FEATURES OF ARTICLES OR
CONTENTS OF THIS DOCUMENT, WITHOUT PRIOR NOTICE