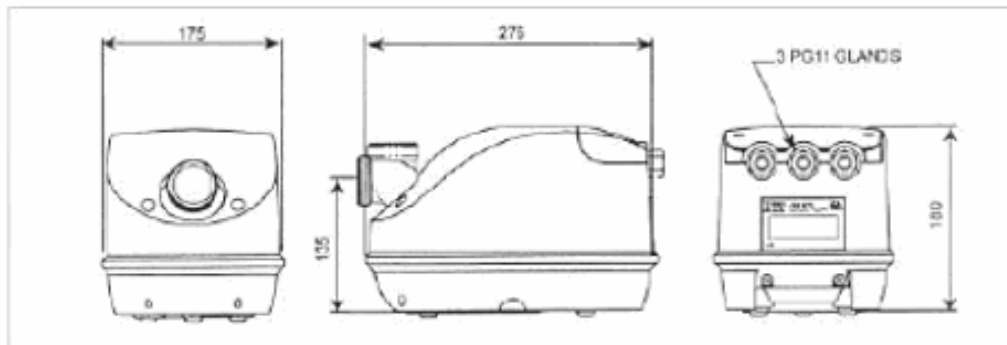


Ficha técnico comercial

19289 – Bomba soplante 900W



DIMENSIONS



TECHNICAL DATA

MODEL	Amps	Input Watts	Volts	Weight
GB90	3.7	900	230	3.0kg

*For heated versions add 250W (nominal)

PERFORMANCE CURVES 230V 50Hz

