



- ✓ Filter manufactured from polyester resin and fiber glass.
 - ✓ Fitted with collector arms and diffuser made of PVC and polypropylene.
 - ✓ Filtration bed depth: 1m.
 - ✓ Color: RAL 3020
 - ✓ Ø400 black plastic top lid
 - ✓ 2" ½ sand drain
 - ✓ 1 /4" water drain
 - ✓ 1 /4" manual air drain
 - ✓ Maximum pressure: 2.5 bar
 - ✓ Maximum temperature: 50°C
- ✓ Filtro fabricado en fibra de vidrio y poliéster.
 - ✓ Montado con colectores y difusor de material plástico inalterable PVC y polipropileno
 - ✓ Altura lecho filtrante: 1m
 - ✓ Color: RAL 3020
 - ✓ Tapa superior de plástico Ø400mm
 - ✓ Purga de arena de 2"1/2
 - ✓ Purga de agua de 1/4"
 - ✓ Purga manual de aire 1/4"
 - ✓ Presión máxima: 2.5 bar
 - ✓ Temperatura máxima: 50°C

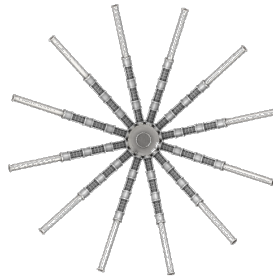
FILTER DETAILS



▪ Ø400 plastic top lid



▪ Fitted with collector arms and diffuser made of PVC and polypropylene



▪ 1 /4" manual air drain



▪ 2" 1/2 PVC sand/water drain

FILTER OPTIONS



▪ 1" or 2" air relief valve

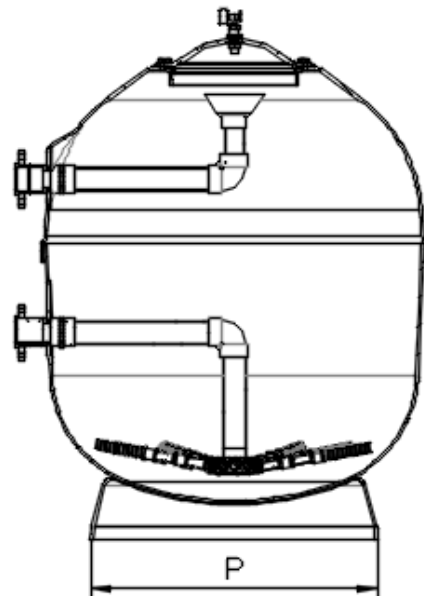
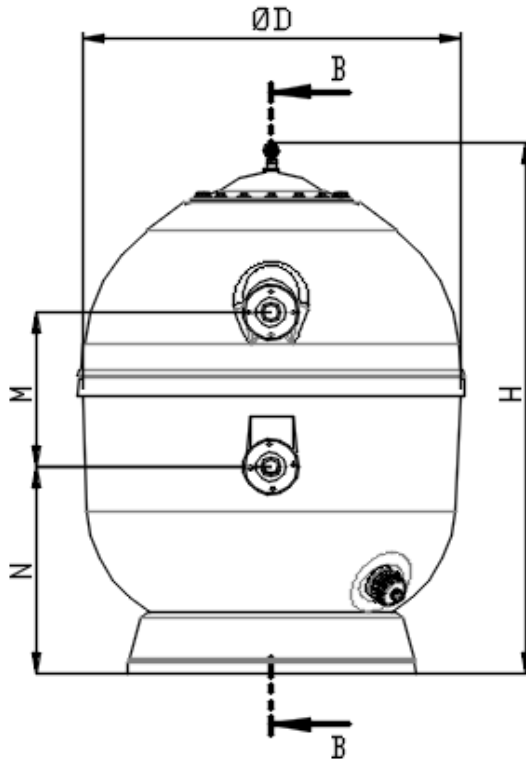


▪ Ø225 polyester lateral manhole



▪ Internal vinylester finish

TECHNICAL DATA															
Code	Model (mm)	Connections (mm/inch)		Filtering velocity (m ³ /h/m ²)	Filtration Area (m ²)	Flow (m ³ /h)	Maximum pressure (bar)	Sand (0.4-0.8mm) (kg)	Gravel (1-2mm)(kg)	Weight in service (kg)	Volume (l)	H (mm)	M (mm)	N (mm)	P (mm)
		mm	inch												
41304	1050	63	2"	20	0.86	17	1050	185	1630	870	1545	500	465	760	
41305		75	2 ½"	30/40		25/34									
41306		90	3"	50		43									
41307	1200	75	2 ½"	20/30	1.13	22/33	1350	275	2220	1290	1730	500	675	850	
41308		90	3"	40/50		45/56									
41309	1400	75	2 ½"	20	1.54	30	1850	350	3060	1810	1845	500	725	1085	
41310		90	3"	30		46									
41311		110	4"	40/50		61/77									
41312	1600	90	3"	20	2.01	40	2400	450	3930	2285	1850	500	710	1230	
41313		110	4"	30/40		60/80									
41314		125	4 ½"	50		100									
41315	1800	90	3"	20	2.54	50	3000	695	5065	2950	1915	570	755	1370	
41316		110	4"	30		76									
41317		125	4 ½"	40		101									
41318		140	5"	50		125									
41319	2000	110	4"	20	3.14	62	3650	810	6360	3850	2030	570	775	1560	
41320		125	4 ½"	30		94									
41321		140	5"	40		125									
41322		160	6"	50		157									



SECCIÓN B-B