

# NANO SPLASHER

(ALL TITANIUM)

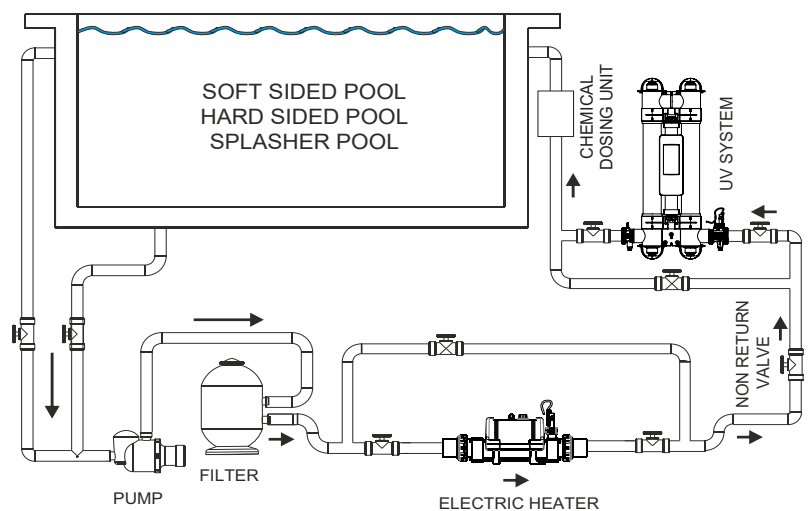
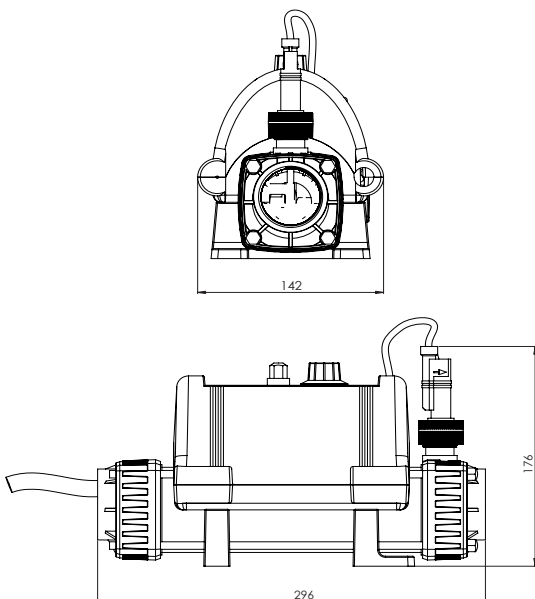
Specifically designed to ensure maximum safety, reliability and efficiency, the Nano Splasher fully titanium "Plug & Play" heater is an ideal solution for soft/hard sided and splasher pools.



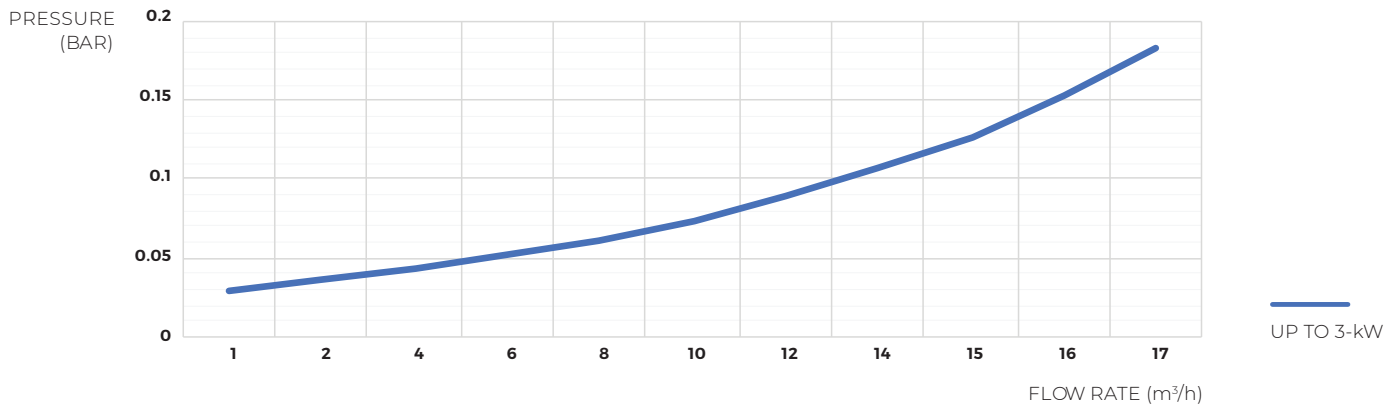
## FEATURES

- Available as 2-kW & 3-kW "Plug & Play"
- Easy installation, fully equipped and pre-wired
- Robust, durable construction
- Ultra-reliable flow switch allows safe operation
- Supplied with temperature thermostat and overheating sensor
- Compact, durable design
- Analogue control with 1.2°C differential
- Titanium flow tube and titanium heating element
- Can be floor or vertically wall mounted
- Vortex, long life, stay clean heating element technology
- 100% efficiency throughout the product life
- Silent operation

## TECHNICAL DRAWINGS



# PRESSURE DROP



## SPECIFICATIONS

<b>POWER SUPPLY</b>	220-240V single phase
<b>FLOW REQUIREMENTS</b>	Minimum flow: 1m³/h Maximum flow: 17m³/h
<b>HEATING ELEMENT</b>	Grade 1 titanium
<b>FLOW TUBE</b>	Grade 1 titanium
<b>CONTROL THERMOSTAT</b>	Analogue: 0 > 45°C (1.2°C differential)
<b>SAFETY THERMAL CUT OUT</b>	60°C (manual reset)
<b>FLOW SWITCH</b>	Gold tipped reed switch with titanium fulcrum pin
<b>RELAY</b>	Surface mount DPDT Finder 66.82.8.230.0000
<b>SEALS</b>	High temperature special formula EPDM ferrules, TPE end fitting gaskets
<b>WATER CONNECTIONS</b>	1.5" BSP female thread supplied with 1½" / 50mm stepped ABS unions for rigid pipe and 1½" / 1¼" stepped hose tails for flexible pipe
<b>INTERNATIONAL PROTECTION MARKING</b>	IP44
<b>FREQUENCY</b>	50/60 Hz
<b>WORKING PRESSURE</b>	4 bar maximum
<b>MOUNTING</b>	Floor or wall mounting

## MODELS

220-240V 1-PHASE	LOAD	PRODUCT CODES		NET WEIGHT	GROSS WEIGHT	VOLUME
		UK Plug (Type G)	Euro Plug (Type F)			
Power Output	Amp			kg	kg	m³
2-kW	9	N-AGP-UK-T2*	N-AGP-EU-T2*	18.6	22.5	0.125
3-kW	13	N-AGP-UK-T*	N-AGP-EU-T*	18.6	22.5	0.125

\*Only sold in pack of 6pcs