



- 12 V AC
- IPX 8
- White or RGB

2 YEAR WARRANTY

30°
T° MAX. WATER

LAMP 12Vac
RATED VOLTAGE

ROHS COMPLIANT

120°
96°

NO REGULABLE

L70-B50
25.000h
LIFESPAN

DETAILED DESCRIPTION

PAR56 underwater projector, improves energy efficiency compared to the traditional 300W halogen PAR56 projector. It must always be installed completely submerged in water. The projector has a warranty of 2 years and must be connected to a safety transformer, ensuring that 12Vac arrives.

The White model does not include remote control.

The RGB model is controlled by a remote control, which is included (code (71742) and allows creating the following scenarios:

1. Fade 1 / 2. Fade 2 / 3. Smooth / 4. Flash / 5. Red / 6. Purple / 7. Green / 8. Cyan / 9. Blue / 10. White / 11. Orange / 12. Off.

Niche not included.

ACCESSORIES INCLUDED IN THE PACK

- Remote control (only 71742 model)
- Cable 2.5 m H07RN-F 2x1.5 mm².
- Installation and maintenance manual

DIMENSIONS (mm) AND WEIGHT

	74940 74940CL090 74940CL129 74940CL144	75829 75829CL090 75829CL129 75829CL144	71742 71742CL090 71742CL129 71742CL144
Dimensions (mm)	150*290*285	150*290*285	150*290*285
Weight (kg)	3,8	3,8	3,8

	PAR56 W PROJECTOR	PAR56 RGB PROJECTOR	PAR56 RGB PROJECTOR + RC
PRODUCT REFERENCE	74940	75829	71742

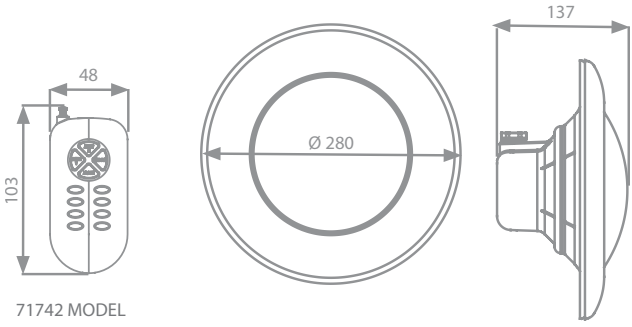
TECHNICAL SPECIFICATIONS

Light color	White	RGB	RGB
Color temperature	5.700 °K	-	-
Energy efficiency			
Consumption	11,5 W (18VA)	15 W (23VA)	15 W (23VA)
Rated voltage	12 V AC	12 V AC	12 V AC
Luminous flux	1.300 lm	900 lm	900 lm
Protection	Clase III IPX 8	Clase III IPX 8	Clase III IPX 8
Color Faceplate			
Pool installation	400 - 700 mm	400 - 700 mm	400 - 700 mm

PALLETIZED AND PACKAGING

Box size (mm)	150*290*285	150*290*285	150*290*285
Units / Box	1	1	1
Volume / Box (m³)	0,003	0,003	0,003
Weight / Box (kg)	0,012	0,012	0,012
Pallet sizes (mm)	1000*1200*2150	1000*1200*2150	1000*1200*2150
Units / Pallet	168	168	168
Volume / Pallet (m³)	2,42	2,42	2,42
Weight / Pallet (kg)	638,4	638,4	638,4

■ SIZES (mm)



■ BOX (mm)

