

Steel wall swimming pool.



Before starting assembly, read carefully the instruction manuals of every components of the kit. Keep this instructions for future reference. **Assembly videos on our website.** Non-contractual photos and pictures.

HIMPRN.23EN

MADE IN SPAIN

Manufacturas Gre, S.A. Aritz bidea nº 57
Belako industrialdea, apartado 69
48100 Munguia (Vizcaya) España
nº reg. Ind. 48-06762

#1 03 - 04

Safety precautions.

#2 05 - 07

Preparation of the site.

#3 08 - 13

Components.

#4 14 - 23

Installation.

#5 24 - 25

Maintenance and use.

#6 26

Accessories.

27

Guarantee.

Save this page for future claims and / or returns

Safety precautions.

Carefully read, understand, and follow all information in this user manual before installing and using the swimming pool.

These warnings, instructions, and safety guidelines address some common risks of water recreation, but they cannot cover all risks and dangers in all cases.

Always use caution, common sense, and good judgment when enjoying any water activity. Retain this information for future use.

Non Swimmers safety

Continuous, active, and vigilant supervision of weak swimmers and non-swimmers by a competent adult is required at all times (remembering that children under five are at the highest risk of drowning).

- Designate a competent adult to supervise the pool each time it is being used.
- Weak swimmers or non-swimmers should wear personal protection equipment when using the pool.
- When the pool is not in use, or unsupervised, remove all toys from the swimming pool and its surrounding to avoid attracting children to the pool.

Safety devices

- It is recommended to install a barrier (and secure all doors and windows, where applicable) to prevent unauthorized access to the swimming pool.
- Barriers, pool covers, pool alarms, or similar safety devices are helpful aids, but they are not substitutes for continuous and competent adult supervision.

Safety equipment

- It is recommended to keep rescue equipment (e.g. a ring buoy) by the pool.
- Keep a working phone and a list of emergency phone numbers near the pool.

Safe use of the pool

- Encourage all users especially children to learn how to swim
- Learn Basic Life Support (Cardiopulmonary Resuscitation - CPR) and refresh this knowledge regularly.

This can make a life-saving difference in the event of an emergency.

- Instruct all pool users, including children, what to do in case of an emergency
- Never dive into any shallow body of water. This can lead to serious injury or death.
- Do not use the swimming pool when using alcohol or medication that may impair your ability to safely use the pool.
- When pool covers are used, remove them completely from the water surface before entering the pool.
- Protect pool occupants from water related illnesses by keeping the pool water treated and practicing good hygiene. Consult the water treatment guidelines in the user's manual.
- Store chemicals (e.g. water treatment, cleaning or disinfection products) out of the reach of children.
- Signage is to be displayed in a prominent position within 2 m of the pool.
- Removable ladders shall be placed on a horizontal surface.

→ If you have decided to install a salt chlorinator, it must be fitted with a grounding connection and sacrificial anode to prevent the appearance of rust on the metal parts. Otherwise, should any of the metal components (ladder, pool wall, profiles, etc.) become rusty they will not be covered by the warranty. For more information on these parts, please contact your dealer.



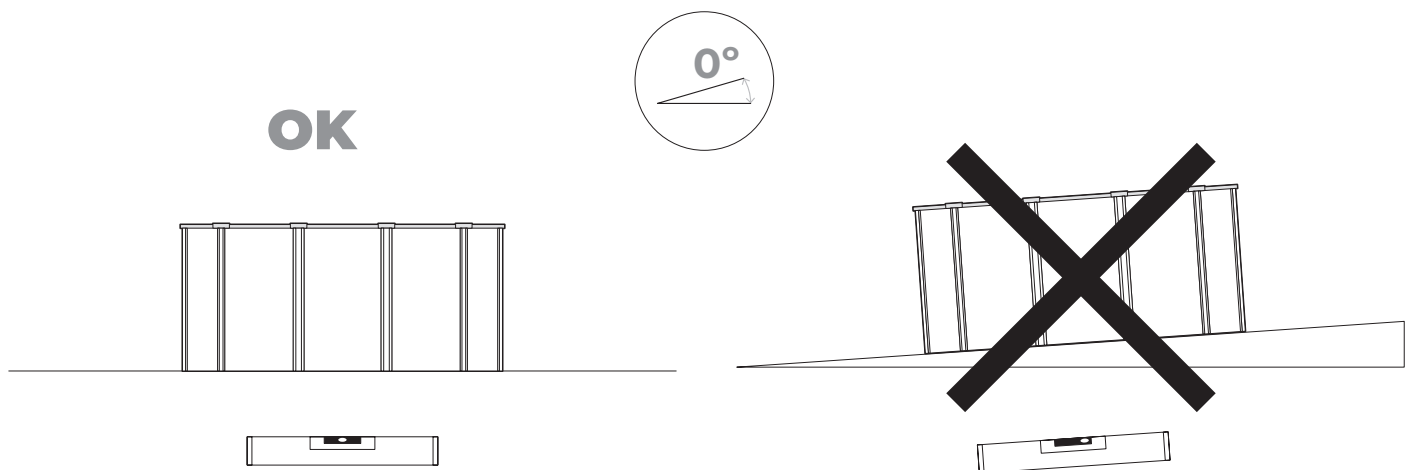
WARNING

Every electrical appliance fed in 220 V, has to be located at least at 3,50 m from the edge of the pool.

The equipment should be connected to a voltage, with earth connection, protected by a residual current device (RCD) having a rated residual operating current not exceeding 30 mA.

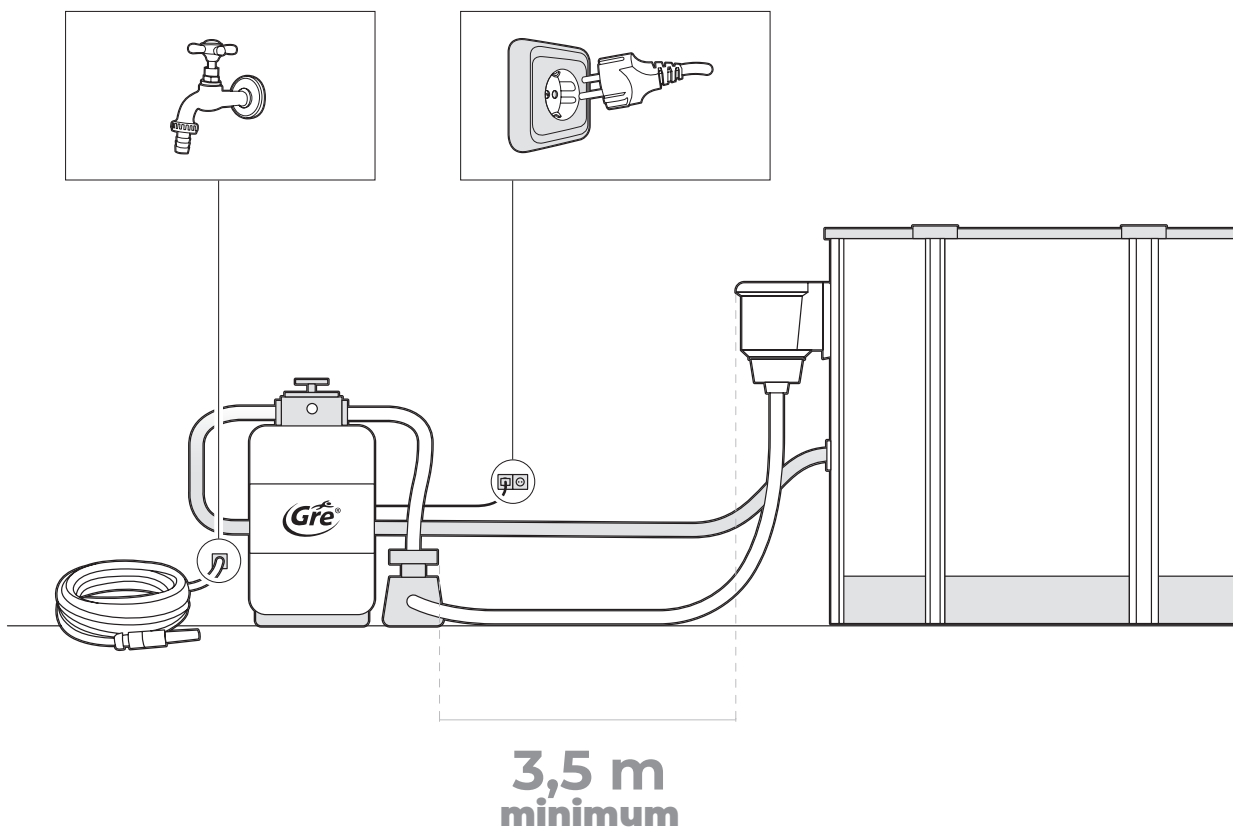
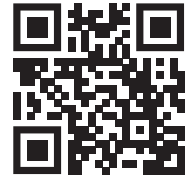
Read the instructions carefully and keep for future reference.

IF YOU HAVE ANY PROBLEM, CONTACT US !
www.grepool.com/en/after-sales



#2

Preparation of the site.



Installation site

Our pools are designed to be installed directly on the ground and for outdoor family use. The ground must be firm, smooth, and perfectly flat.

Do not forget: 1000 l. = 1 m³ = 1000 Kgs.

Do not use rubber or similar materials, or those in which the sheet metal can become stagnant.

Recommendations for choosing the best location for your pool

- Choose a place where you will have to dig as little as possible to level the ground.
- An area where in the event of rain, flooding will not occur.
- Where there are no underground connections (water, gas, electricity, ...).
- Do not install under power lines.

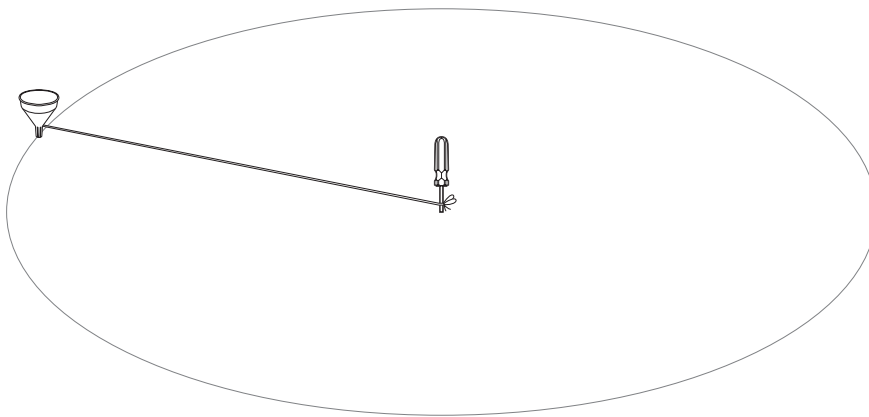
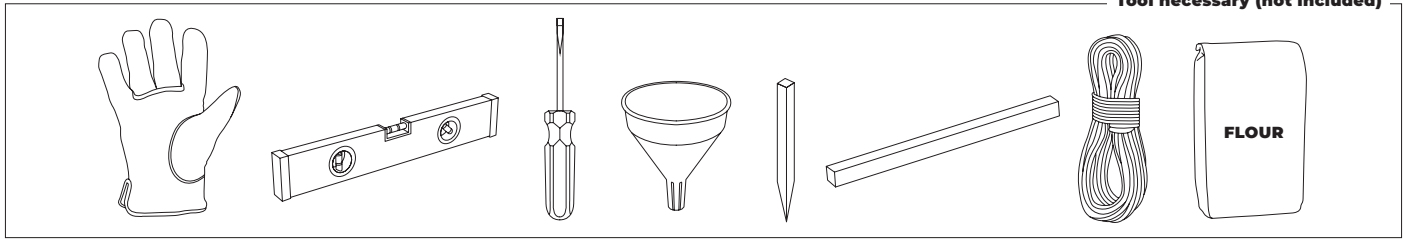
- Protected from the wind and free from trees since the pollen and leaves can make the pool water dirty.
- A sunny area, where there is most sun in the morning.
- Near an electricity outlet, water outlet, and drainage.

NEVER DO THE INSTALLATION ON: sloping, uneven, loose, or sandy ground with stones.



2.1

Tool necessary (not included)



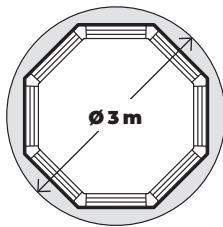
Mark the installation area:

Once the location area is chosen (which have to be perfectly levelled), we'll proceed at the marking.

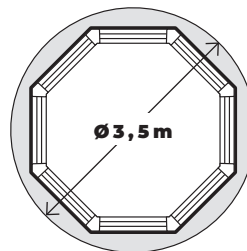
You've got 2 options for that :

- 1° To prepare a concrete platform (cement,...) with the necessary measure according to your swimming-pool size.
- 2° Directly on the ground : To mark the ground using wood pickets, screwdriver, funnel (or plastic bottle), flour or lime and a rope.

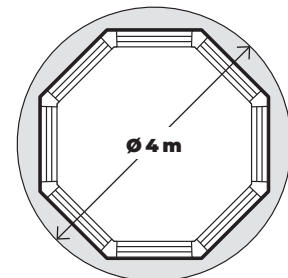
P Ø 2,40m = Ø3m



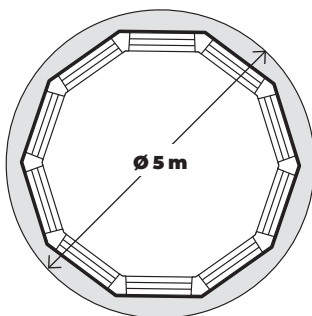
P Ø 3m = Ø3,50m



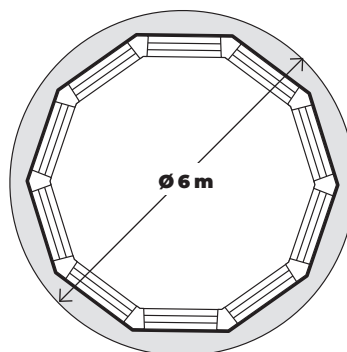
P Ø 3,5m = Ø4m



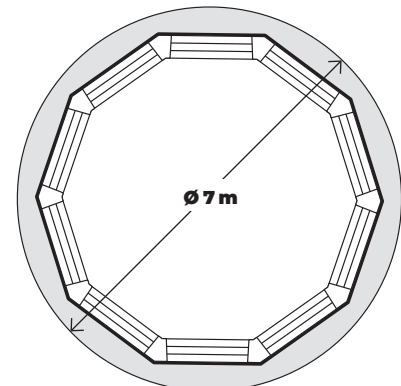
P Ø 4,5m = Ø5m



P Ø 5,50m = Ø6m

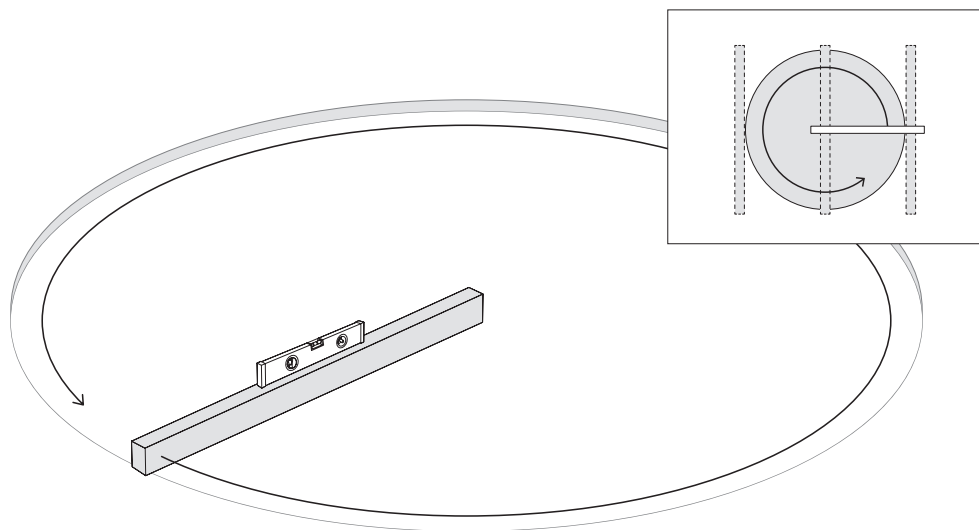
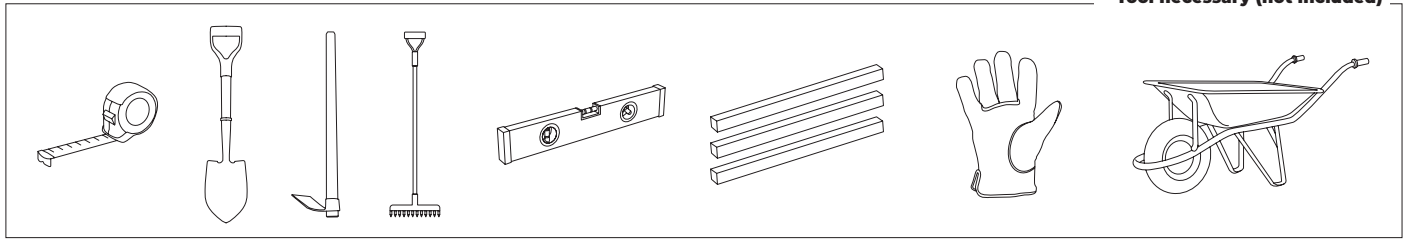


P Ø 6,40m = Ø7m



2.2

Tool necessary (not included)



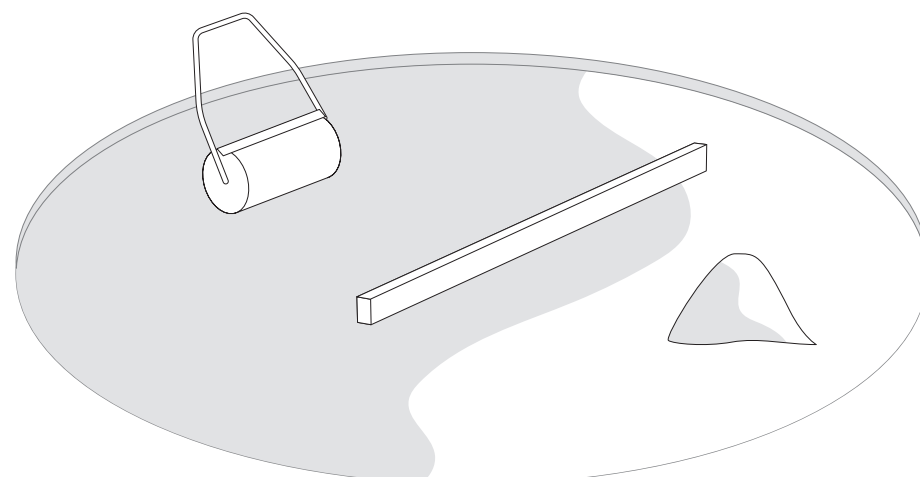
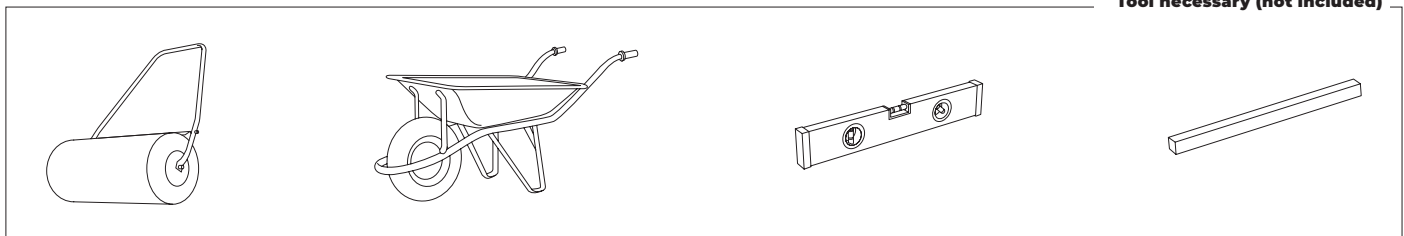
Levelling:

When levelling the ground, always remove material from the top of the slope rather than filling in the bottom: this will ensure greater ground stability and firmness. Always remove all grass, roots, stones, etc. Levelling is extremely important: devoting the necessary time and effort to ensuring that your pool sits properly on the ground will avoid problems later.

How to level: thanks to a large mason rule (aluminium or wood) and a level, level out the ground forming rectangles (or squares), locating this rule in the selected and cleaned area. When all the areas are on level and when the excess of ground is removed, you may fill in the small areas which are left to level out (with clean ground or sand) but always compacting and levelling again afterwards. It is very important the installation area is well compressed and firm in order the ground do not subside when the pool will be full of water. Please ask a professional : builder, gardener,...

2.3

Tool necessary (not included)



Finishing:

On the cleaned and levelled ground, spread a light coat of sieved sand (max. 1cm).

Water and compact it (with a garden roller). Check that is well levelled.

Do not use the sand to level the ground. The finishing has to be perfect.

#3

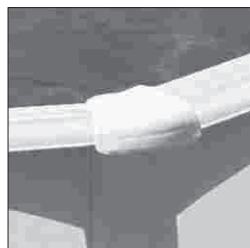
Components.

Draw and classify all components included before assembly.

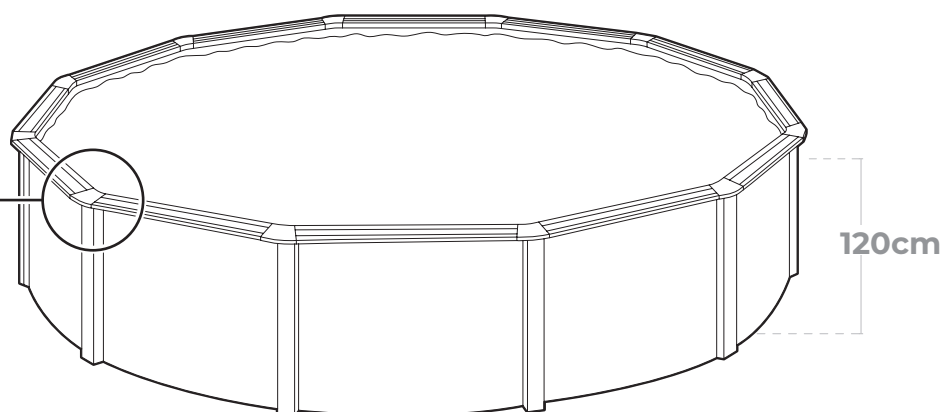
It's time to assemble the ladder and the pump, follow the respective instructions. Kits with missing parts will be covered by the warranty only if reported to the after-sales service within 15 days as from the date of purchase of the swimming pool.

In order to avoid any possible injury all swimming pool walking entrance must be regularly checked.

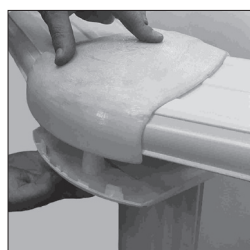
Picture 1



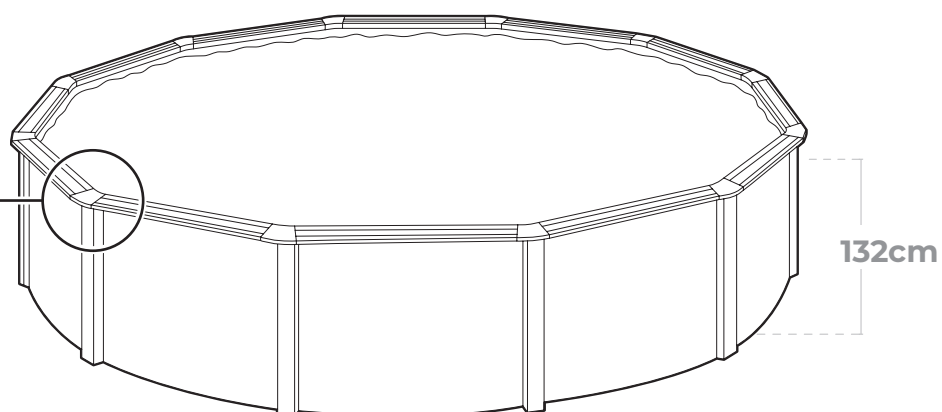
EM



Picture 2



TPL & TP

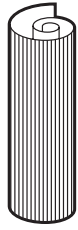


Important.

Please, pay attention to the joint protectors coming with your pool when you take out and classify its components:

- If your pool comes with **EM** joint protectors (**see picture 1**), you can find your pool parts list on pages 10 and 11.
- If your pool comes with **TPL&TP** joint protectors (**see picture 2**), you can find your pool parts list on pages 12 and 13.

Components.



CH



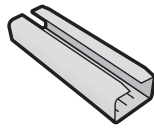
**L LINER
PVC**



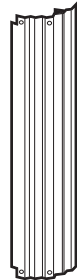
**PCF
PC-BAG**



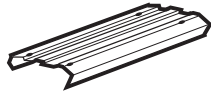
**PI
PC-BAG**



**PIPC
PC-BAG**



**PV
PLV**



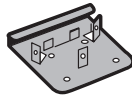
PLAYA PLY



**TPVC
(KITENV)**



**EM
(KITENV)
pag. 20**



**PU
(KITENV)**



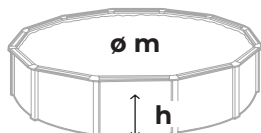
**TPS
PLUG
(KITENV)**



**T
(KITENV)**

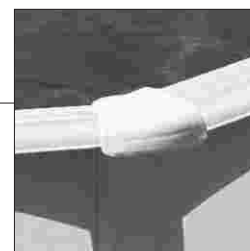


**TT
(KITENV)**

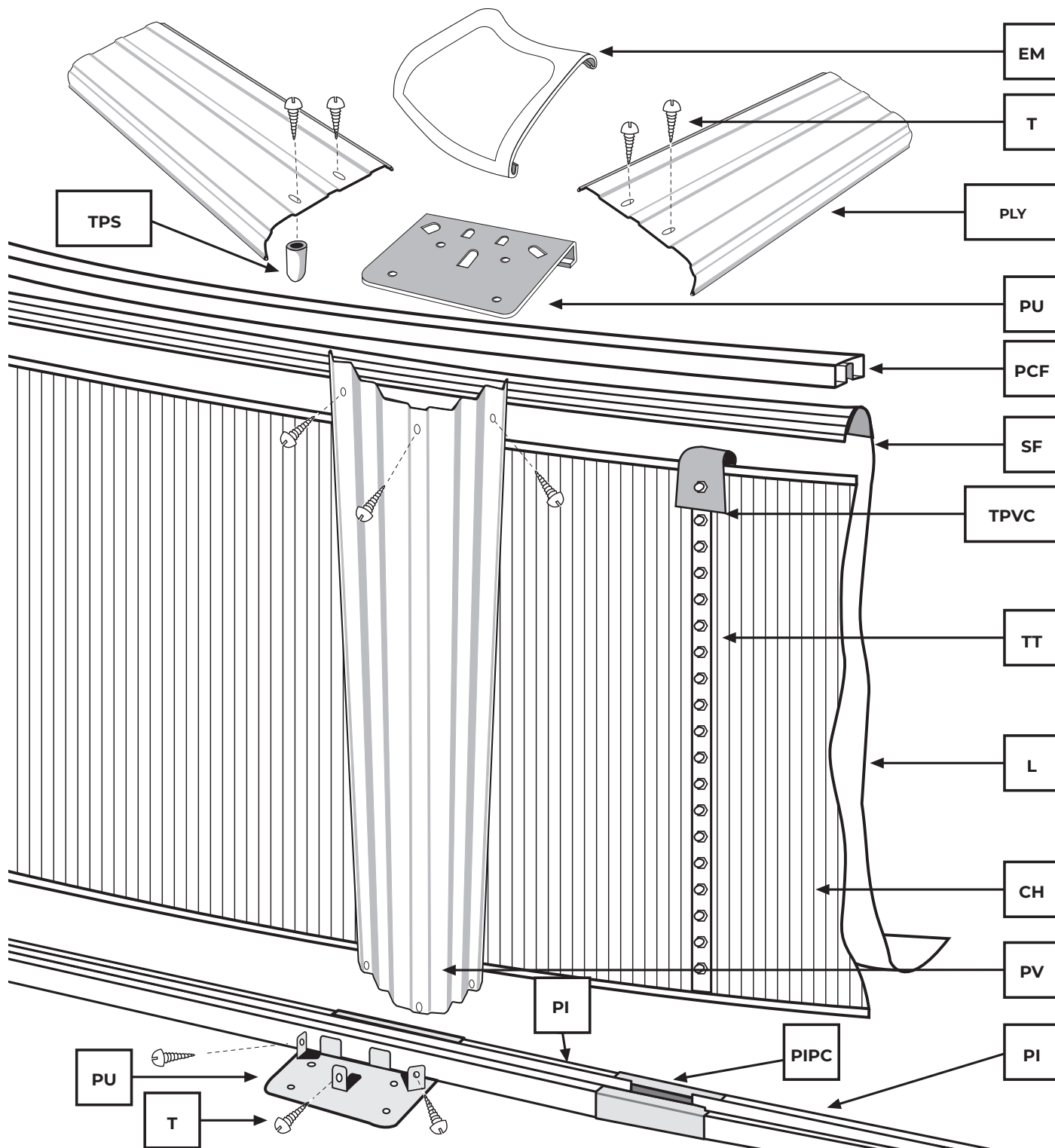
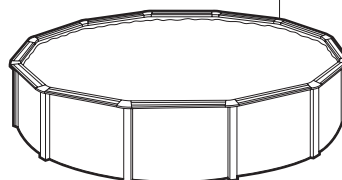


		120 cm						
		↕	∅ 6,40 m	∅ 5,50 m	∅ 4,60 m	∅ 3,50 m	∅ 3,00 m	∅ 2,40 m
CH		1	1	1	1	1	1	1
EM		14	12	10	8	8	8	8
LINER (L)		1	1	1	1	1	1	1
PCF		14	12	10	8	7	6	6
PI		14	12	10	8	8	8	8
PIPC		14	12	10	8	8	8	8
PLY		14	12	10	8	8	8	8
PU		1400 mm	1400 mm	1400 mm	1330 mm	1145 mm	910 mm	910 mm
PV		28	24	20	16	16	16	16
T		14	12	10	8	8	8	8
TPS		28	24	20	16	16	16	16
TPVC		1	1	1	1	1	1	1
TT		28	28	28	28	28	28	28
∅		6,40 m	5,50 m	4,60 m	3,50 m	3,00 m	2,40 m	
h		1,05 m	1,05 m	1,05 m	1,05 m	1,05 m	1,05 m	
m³		33,77	24,94	17,45	10,10	7,41	4,75	

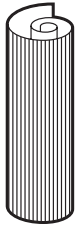
↕	∅ 6,40 m	∅ 5,50 m	∅ 4,60 m	∅ 3,50 m	∅ 3,00 m	∅ 2,40 m
👤	2-3	2-3	2-3	2-3	2-3	2-3
🕒	4h	3h	3h	2h	2h	2h



EM



Components.



CH



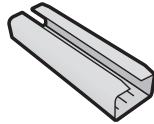
**L LINER
PVC**



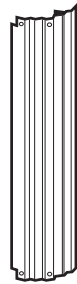
**PCF
PC-BAG**



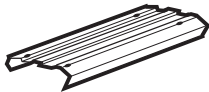
**PI
PC-BAG**



**PIPC
PC-BAG**



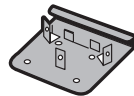
**PV
PLV**



PLAYA ZR



**TPVC
(KITENV)**



**PU
(KITENV)**



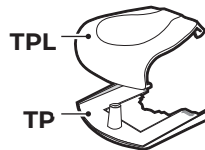
**T
(KITENV)**



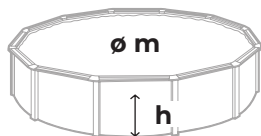
**T1
(KITENV)**



**TT
(KITENV)**

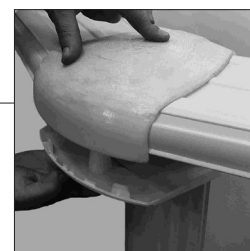


**TPL & TP
KIT-TPLTP
pag. 21**

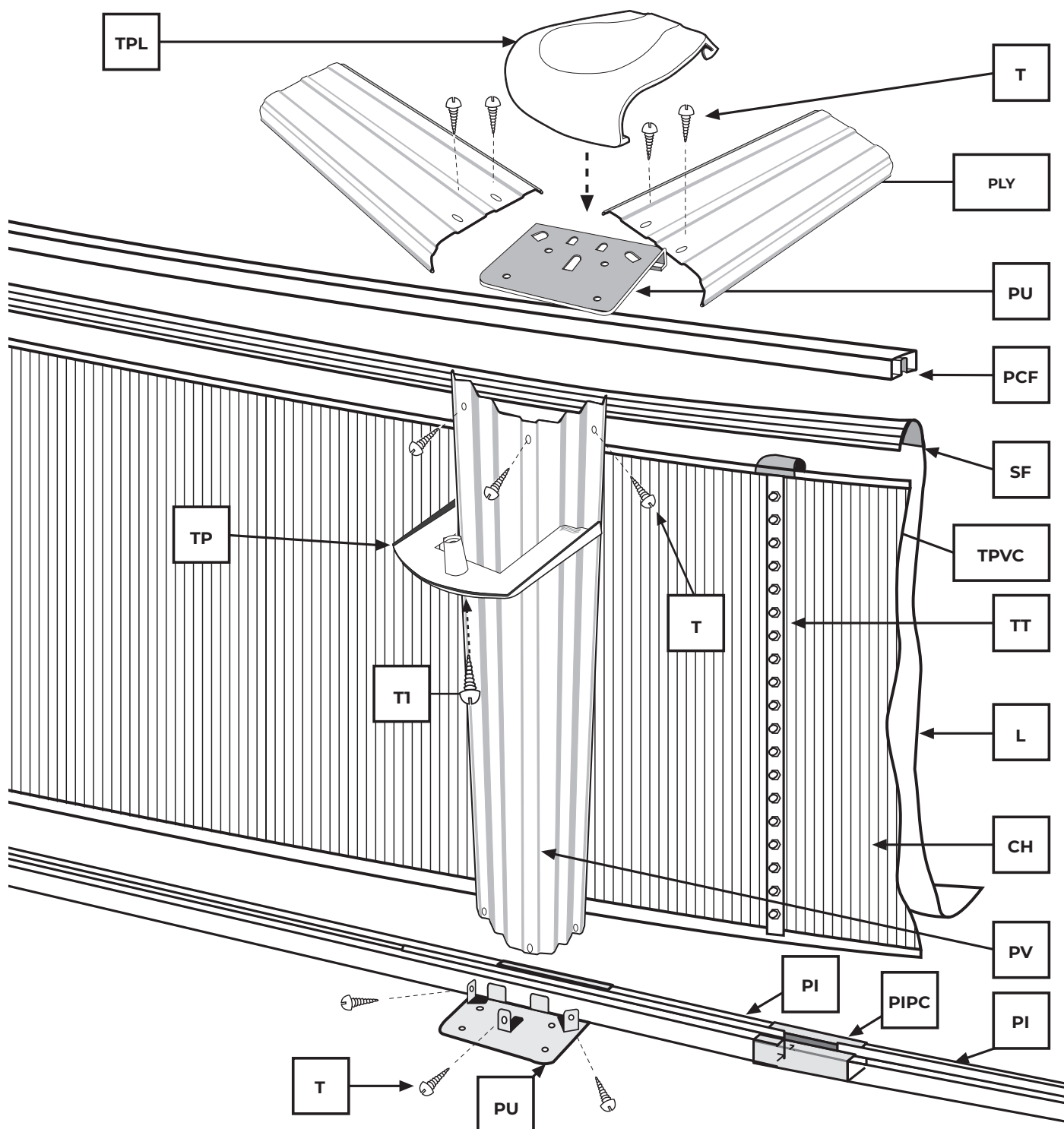
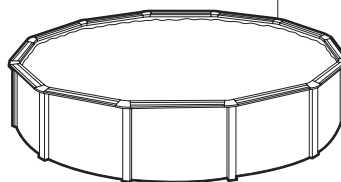


		±	Ø 6,40 m	Ø 5,50 m	Ø 4,60 m	Ø 3,50 m	Ø 3,00 m	Ø 2,40 m
CH		1	1	1	1	1	1	1
LINER (L)		1	1	1	1	1	1	1
PCF		14	12	10	8	7	6	
PI		14	12	10	8	8	8	
PIPC		14	12	10	8	8	8	
PLY		14	12	10	8	8	8	
		1400 mm	1400 mm	1400 mm	1330 mm	1145 mm	910 mm	
PU		28	24	20	16	16	16	
PV		14	12	10	8	8	8	
T		140	120	100	80	80	80	
T1		14	12	10	8	8	8	
TPL		14	12	10	8	8	8	
TP		14	12	10	8	8	8	
EM		14	12	10	8	8	8	
TPVC		1	1	1	1	1	1	
TT		32	32	32	32	32	32	
Ø		6,40 m	5,50 m	4,60 m	3,50 m	3,00 m	2,40 m	
h		1,17 m	1,17 m	1,17 m	1,17 m	1,17 m	1,17 m	
m³		37,63	27,79	19,44	11,25	8,27	5,29	

↕	Ø 6,40 m	Ø 5,50 m	Ø 4,60 m	Ø 3,50 m	Ø 3,00 m	Ø 2,40 m
👤	2-3	2-3	2-3	2-3	2-3	2-3
🕒	4h	3h	3h	2h	2h	2h

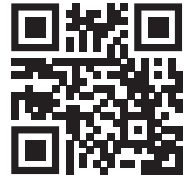


TPL & TP



#4

Installation.



4.1

BOTTOM SECTION PIECES (PI) FOR ROUND SWIMMING POOLS

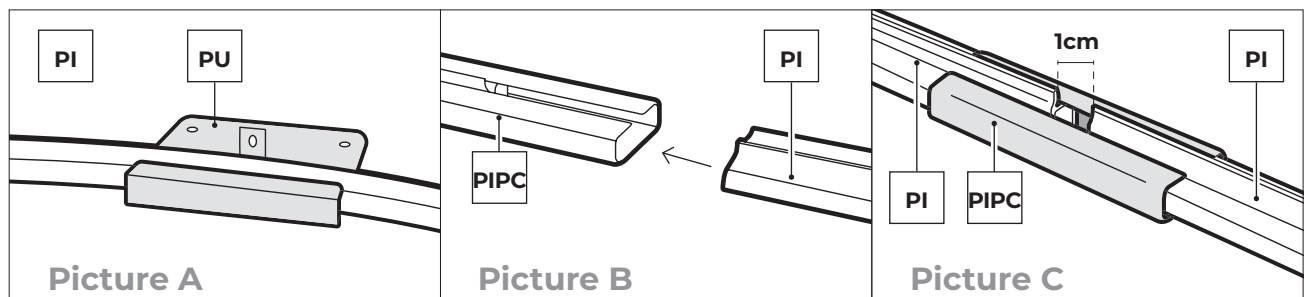
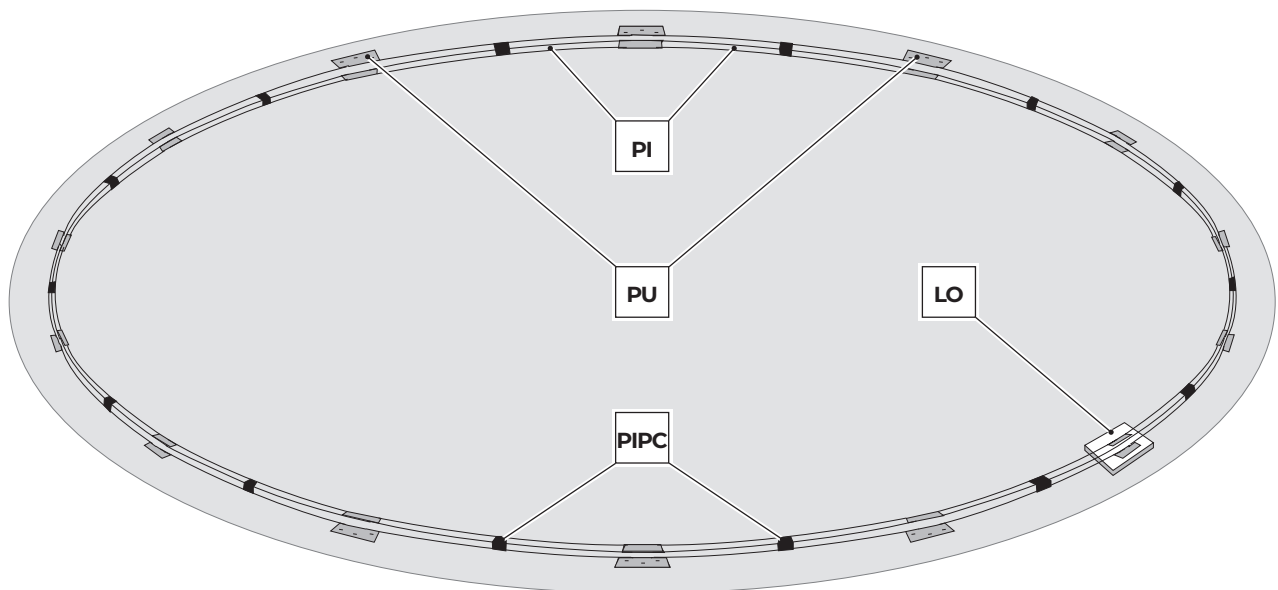
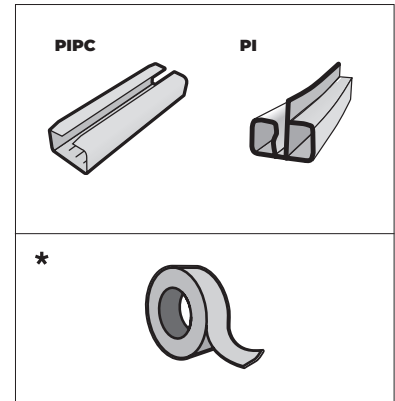
NOTE: These curved SECTION PIECES ARE FOR THE BOTTOMS of ROUND SWIMMING POOLS. Take each bottom section piece (PI) and fit a drop-forged part (PU) in the middle (see photo A). Join the section pieces to one another with the joining pieces (PIPC), leaving a gap of about 1cm between them (see photo B). Complete the circle with all the section pieces. Begin fitting the wallplate in the middle of a drop-forged part (PU) previously positioned half way along each section piece. If on completing the wallplate installation the circle made by the section pieces is too small, open out the section pieces until you achieve the exact diameter. If, on the other hand, the circle of section pieces is too big, you will have to close them up until the circle matches the diameter of the wallplate.

NOTE: (LO) If the ground is not firm (concrete, etc.), it is advisable to set a tile or slab into the ground under each part PU to prevent the upright supports PV from sinking under the weight of the water.

NOTE: Drop-forged parts PU under no circumstances shall be affixed to the ground by any means; in the event of doing so, you run the risk of swimming pool breakage and the automatic loss of the warranty.

* Use duct tape to cover parts PU and PIPC on the inside of the pool and thus avoid that may damage the liner.

* Place the top rails (PLY) to estimate the distance between (PU) pieces.

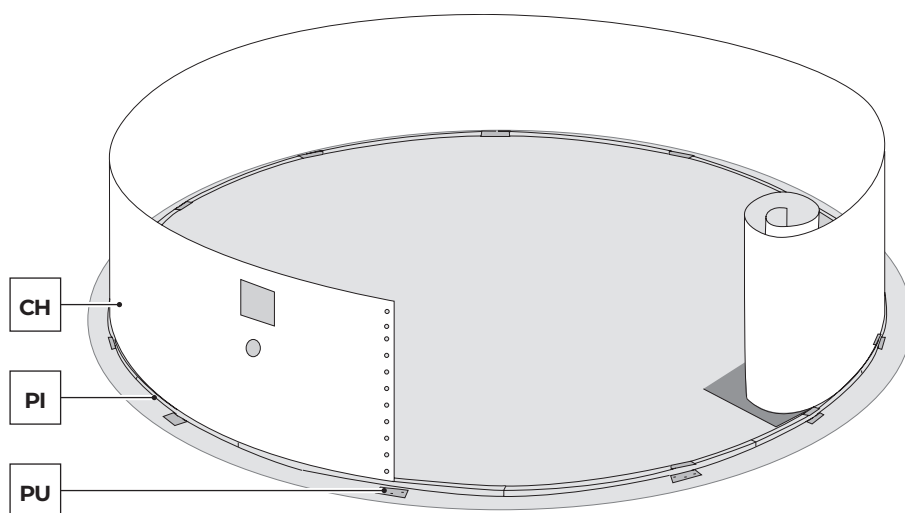


4.2

*** IMPORTANT! BEFORE ASSEMBLY, DEBURRING, USING A FILE AND SANDPAPER, THE EDGE OF THE CLOSING WALL (CH).**

NOTE: REFERENCES: K300WET AND K350WET DO NOT HAVE PUNCH HOLES IN THE METAL SHEET (CH) OF THE POOL.

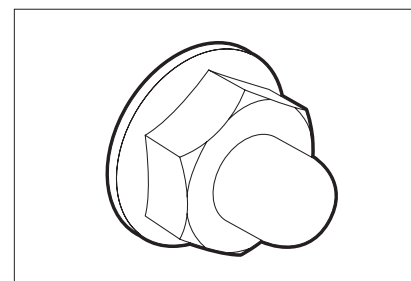
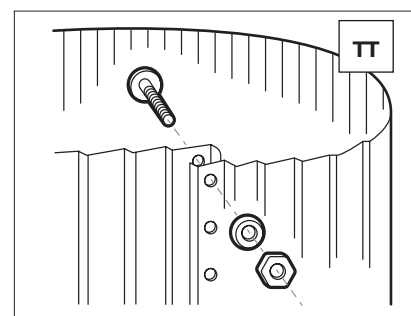
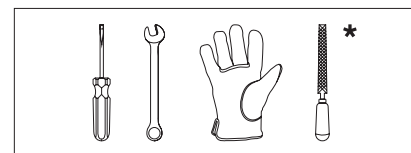
Fit the wall plating CH vertically on a piece of cardboard (to avoid damaging the area prepared for the installation). Make sure the square and pierced piece is always located in the superior part and face to dominating winds. Fit the plating extremity and the first profile (PI) together and make the plating extremity correspond with the top of the joining-piece PU. Now, you can unfold it introducing it in the profiles PI, working clockwise.



Start to place the sheet at the middle of a pressed part (PU) previously situated at the middle of each profile, (see page 14). If when closing the sheet circle of the profiles it is small, all the profiles must be separated from each other until obtaining the exact diameter. On the other hand it is too bog, the profiles should be moved closer to each other until equaling the circle with the diameter of the sheet.

WARNING: If the surround is too large to close the steel wall, even if the ground rails are completely joined together, one of the rails must be cut.

Complete the circle and close the plating CH thanks to the screws TT. The screwhead has to stay in the interior part of the pool, the ring and the blind nut in the exterior part (Tighten the screws without distorting the material).



4.3

PVC PROTECTIVE STRIP (INTERIOR POOL COVERING):

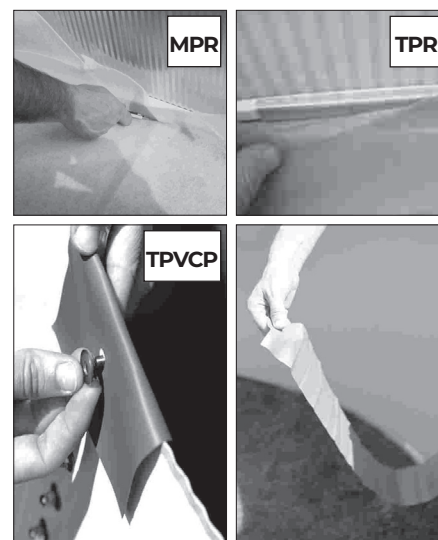
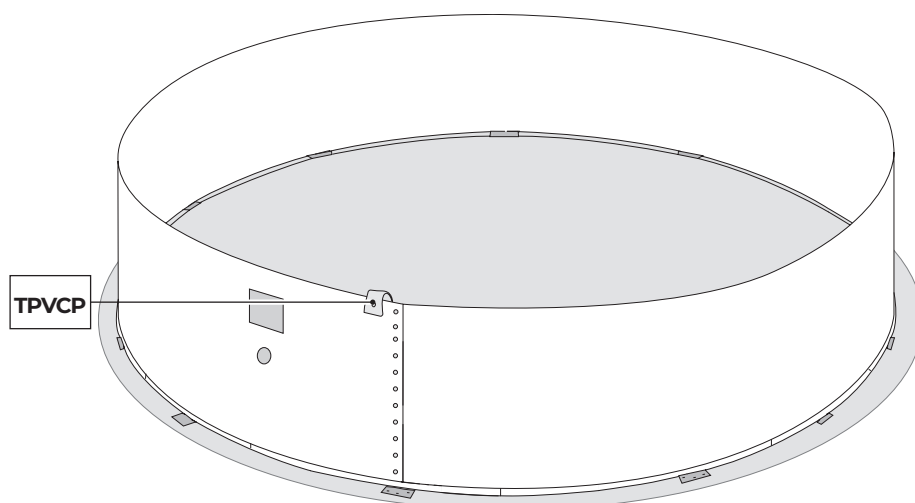
Attach the PVC strip to the top nut at the joint of the wall plate so that it hangs down inside the pool to cover the screw heads.

The Ground Cover or floor tapestry - Caution:

Clean all dirt from the pool wall and bottom with a vacuum cleaner before placing the ground cover or floor tapestry in position.

Fit the protective ground cover or floor tapestry in the interior of the pool and smooth out all the

creases, adjusting and cutting away excess from the total surface area. Cut so that the bottom section pieces and the metal parts are covered. This way the liner will be protected when you install it.



4.4

ASSEMBLY OF THE PVC LINER: EXTENDING THE LINER:

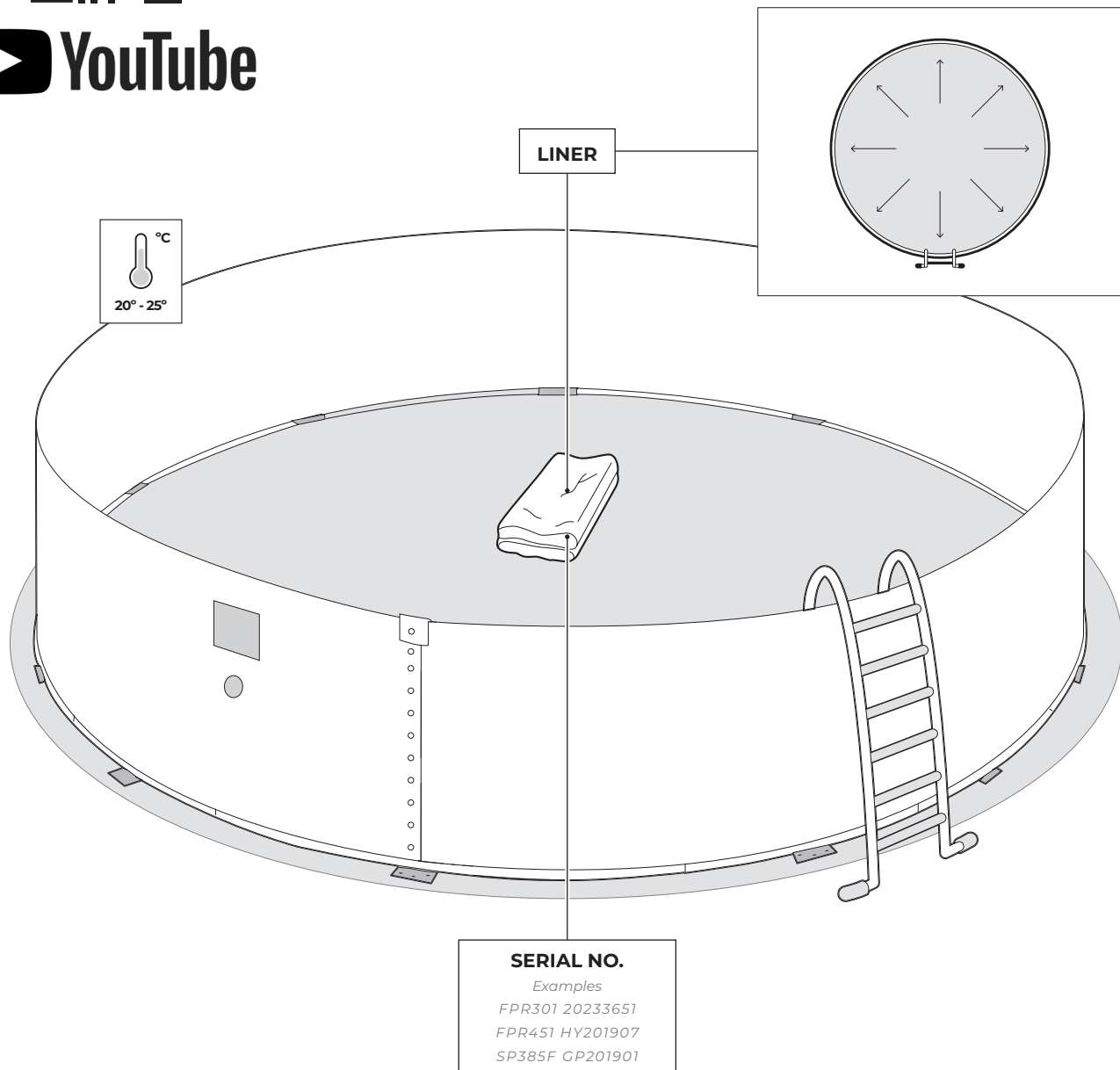
Important: The liner used in the manufacturing of all our pools, is developed for exposition to heat and ultraviolet rays during long periods. Therefore, under certain weather and usage conditions, the liner qualities can slightly vary. The interior liner of the pool is manufactured from flexible PVC (thermoplastic). Its properties allow optima installation conditions when the outside temperature is between 20 °C and 25 °C.

NOTE: Temperature too low: hard and rigid liner; later, too small. Temperature too high: flexible and elastic liner; later, too big. Pull and extend the liner (L) in the shade to recover its texture, at least 2 hours before installing it. Ideal temperature: To manipulate the liner better, try to do this at an outside temperature between 20 - 25° C. Situate the liner (L) at the center of the pool. Extend it at the bottom and fitted against the side towards the steel sheet. The welding that joins the bottom with the side must be perfectly fitted against the lower profiles of the

entire perimeter of pool bottom avoiding any folds. It is very important that the liner is well centered and extended.

NOTE: If there any folds in the bottom of the liner, this is no reason for it to be changed because it is NOT a factory defect.

SERIAL No: Locate it on the bottom or wall of the liner and write the serial No. in the box on the instruction sheet for possible claims.



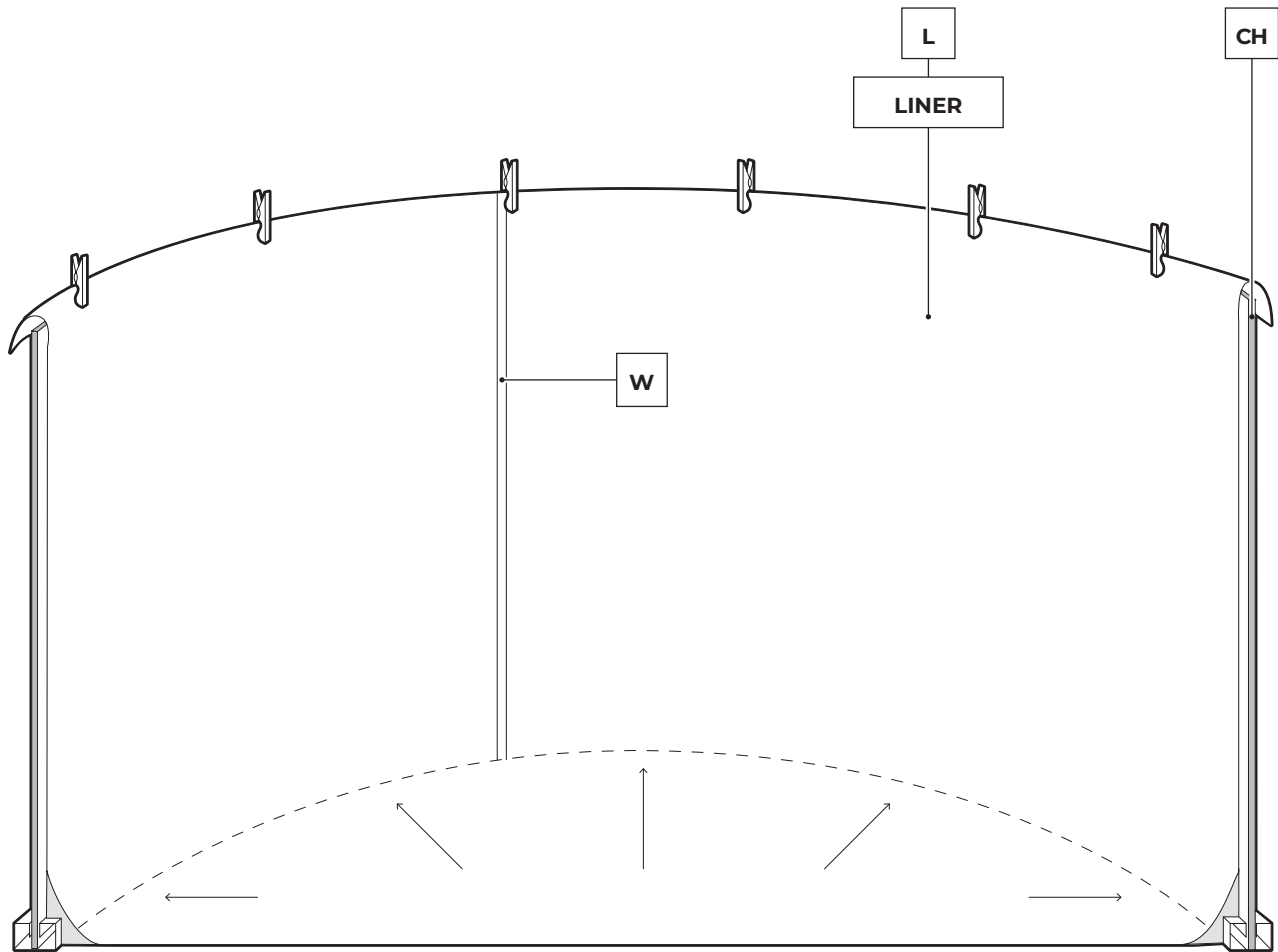
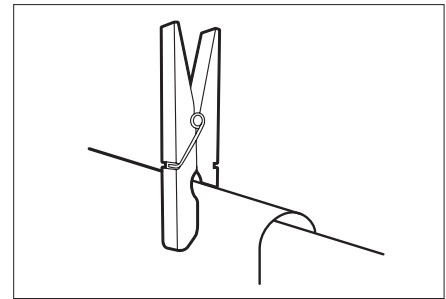
SERIAL NO.;

4.5

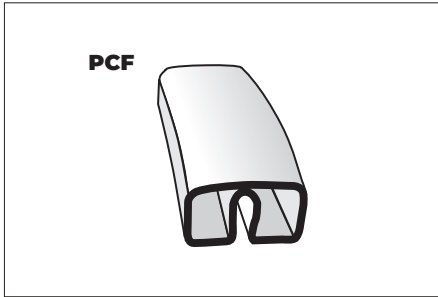
ATTACHING THE LINER:

Locate the welded seam of the wall (W), which can be used as a guide for fitting the pool liner. Starting from that point, hang the top edge of the liner over the wall plating so that the weld (W) is perfectly straight and perpendicular to the ground. as you hang the liner, hold it in place

provisionally with clothes pegs. Ensure there is a uniform overlap. Distribute any excess observed in the liner wall on completing this operation evenly around the pool to prevent wrinkles. If the liner wall is too short, stretch it evenly all around the perimeter.



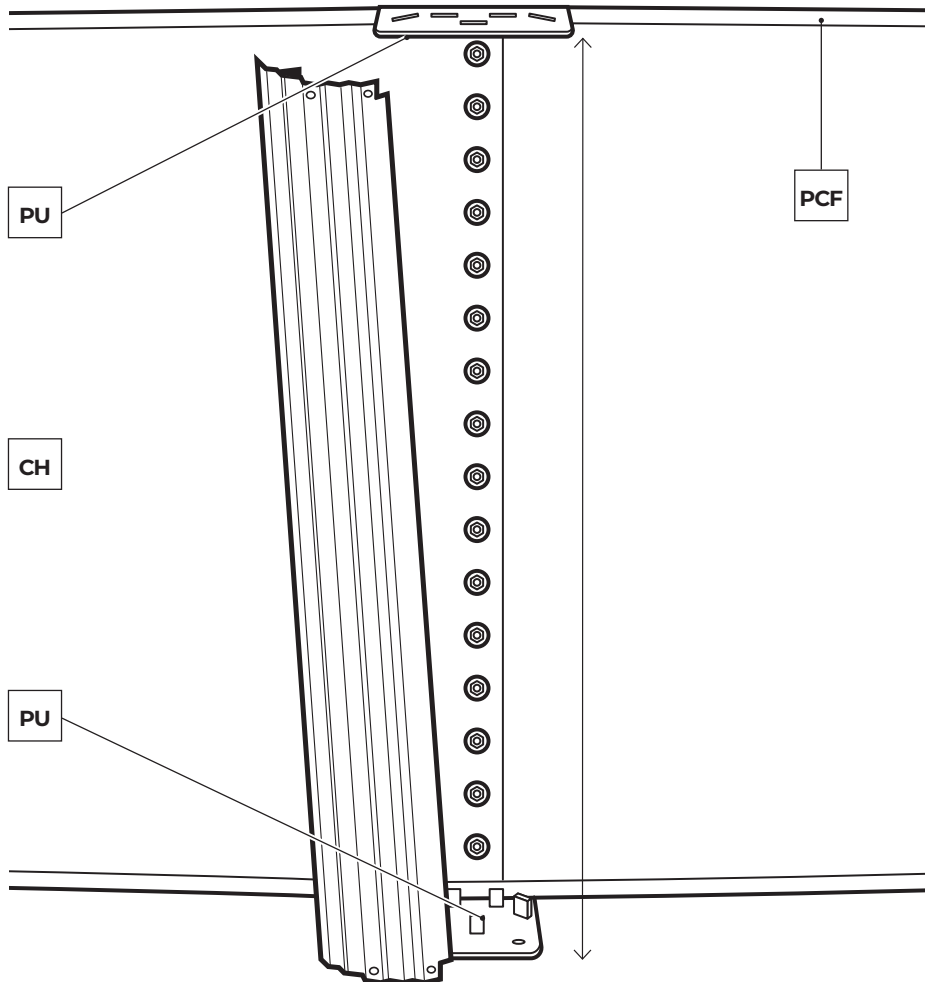
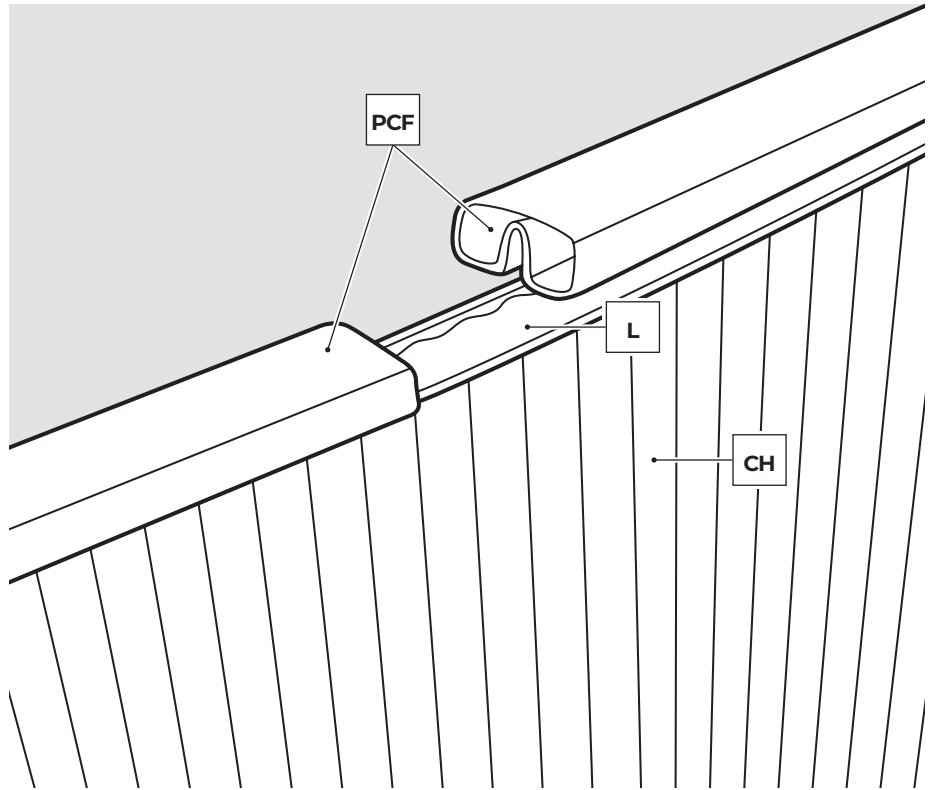
4.6



FLEXIBLE TOP SECTION PIECES (PCF) for Round Swimming Pools

NOTE: These FLEXIBLE SECTION PIECES ARE FOR THE TOPS OF ROUND SWIMMING POOLS. They are fitted on top of the liner once this has been fitted over the pool wallplate and do not need to be joined together. They are positioned one after the other, and when the perimeter is completed, the extra length is cut off.

Place each PU piece over the top section pieces; they must be lined up with those located in the lower part.



4.7

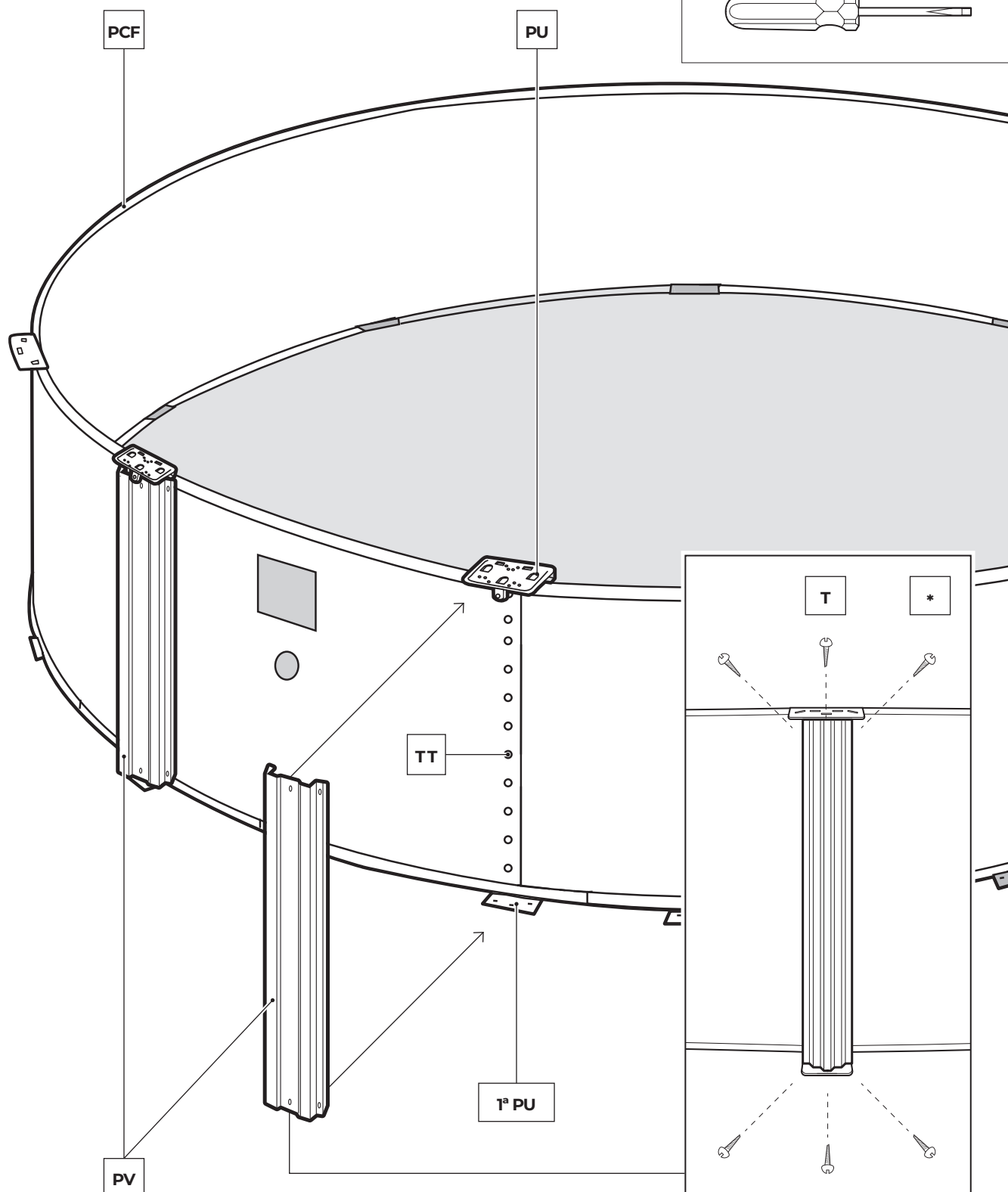
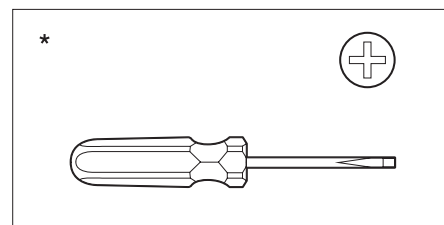
FITTING AND ATTACHING THE UPRIGHT SUPPORTS (PV) TO THE WALL PLATING:

With reference to the plating closure, place the first superior and inferior joining-pieces PU in that point (To plug all closure screws TT). Use a trim piece to calculate the distance between the joining pieces PU. Attach an upright support (PV) to the first bottom joining piece by the central screw T. Then attach it in the same way to the top

joining piece. Next, fit the rest of the screws T (3 + 3 per support). Proceed in this way until all the upright supports are attached at top and bottom.

Take one PLY to calculate the distance between the pressed profiles PU.

NOTE: Upright supports should be perfectly vertical all around the pool (take the wall plate ribbing as a reference).



4.8

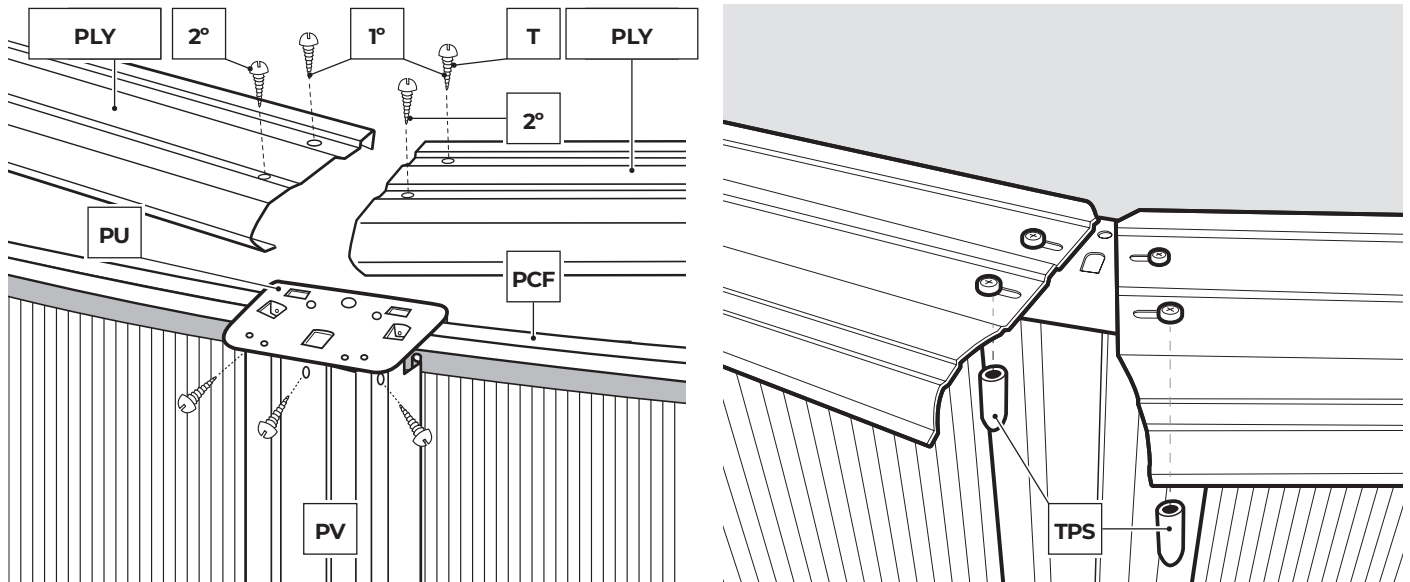
INSTALLATION OF THE UPPER PROFILES (PLY):

Avoid that the PLY pieces fall into the pool during installation because they can damage the liner. Place each PLY supported by two consecutive PUs with round part outside. You will see that each PLY has four holes (two inside and two outside) for fixing to the joint pieces. Start by fi-

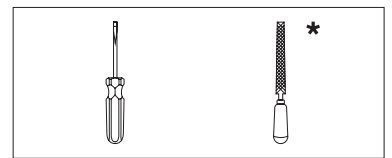
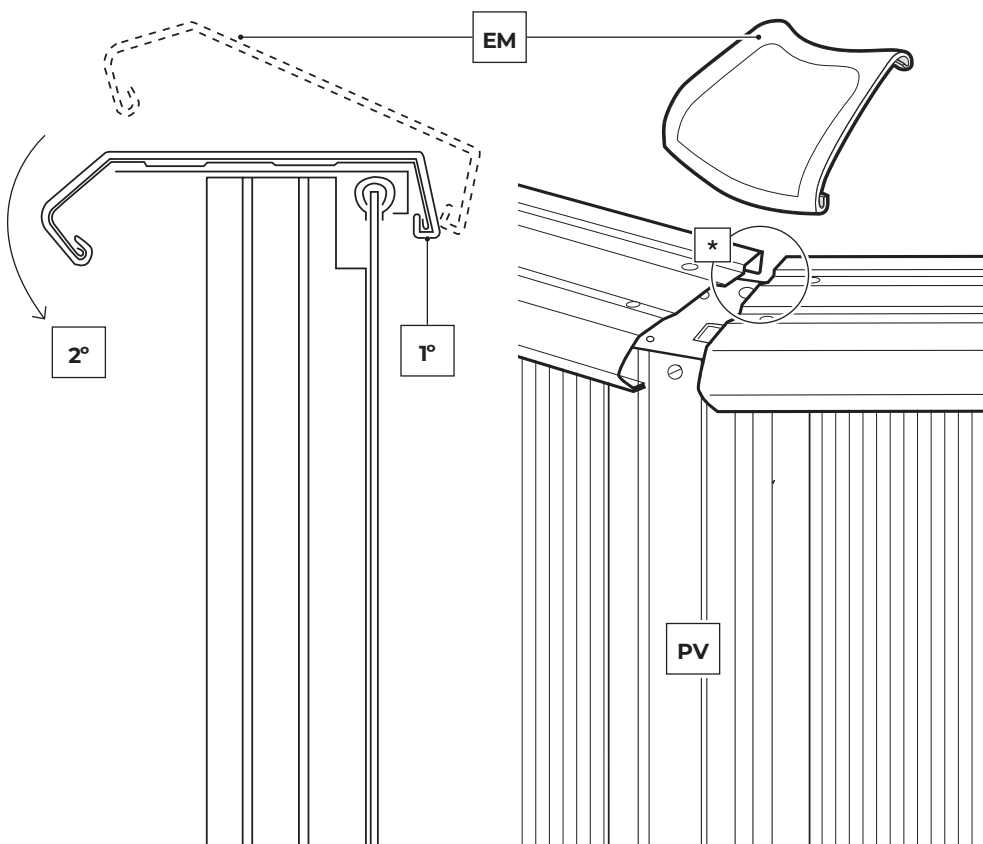
xing each PLY to the joint pieces but only finger tightening the (and not fully tightening them so there is some play among them) the inside screws of each side (1°). After having placed all the PLYs, re-check that the vertical profiles are upright, if not, correct their position. Then continue positioning the outside screws (2°) and tighten all the screws to the structure.

Put the plastic plugs TPS (only for pools of 120 cm) on the screws (for protection) at the outside of the pool.

ATTENTION: getting on, walking on, or sitting on the PLYs is firmly prohibited, as well as jumping or diving from the same.



4.9



*** IMPORTANT! BEFORE ASSEMBLY, DEBURRING, USING A FILE AND SANDPAPER, THE ENDS OF EACH PLY.**

PLACING THE FLEXIBLE JOINT PROTECTORS EM: (only for 120 cm pools):

The flexible joint protectors are fitted to the joints between the trim pieces. To fix them, start by fixing the back part (inside the pool) to the trim piece and with the aid of a screwdriver lever the front ribs over until they fit to the trim piece.

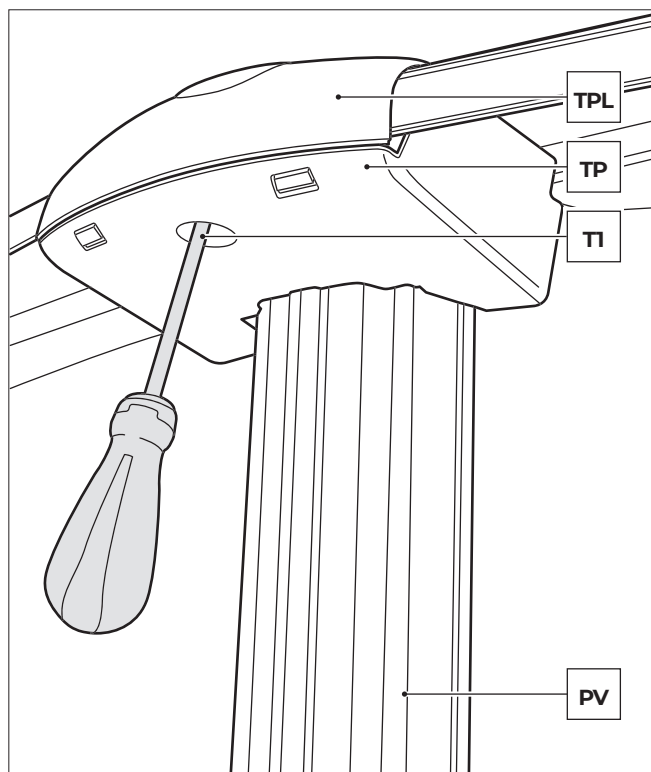
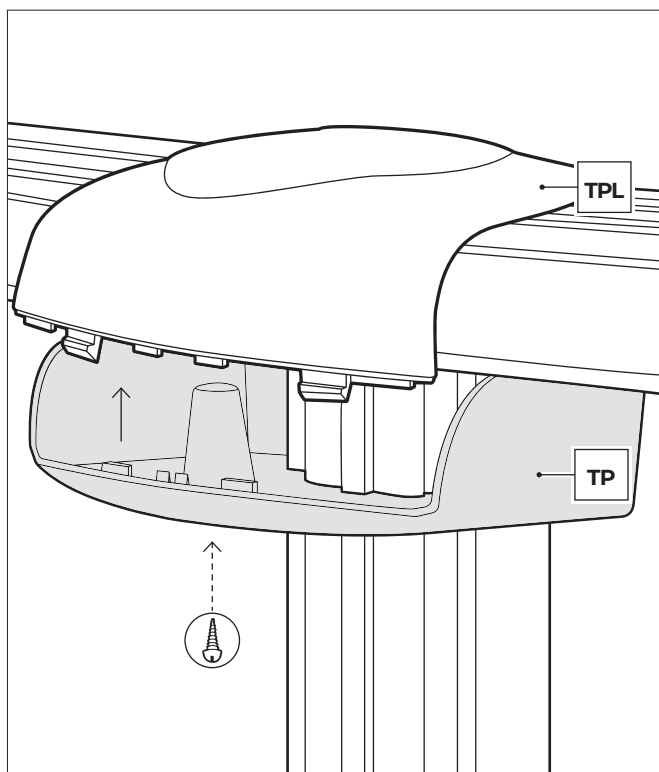
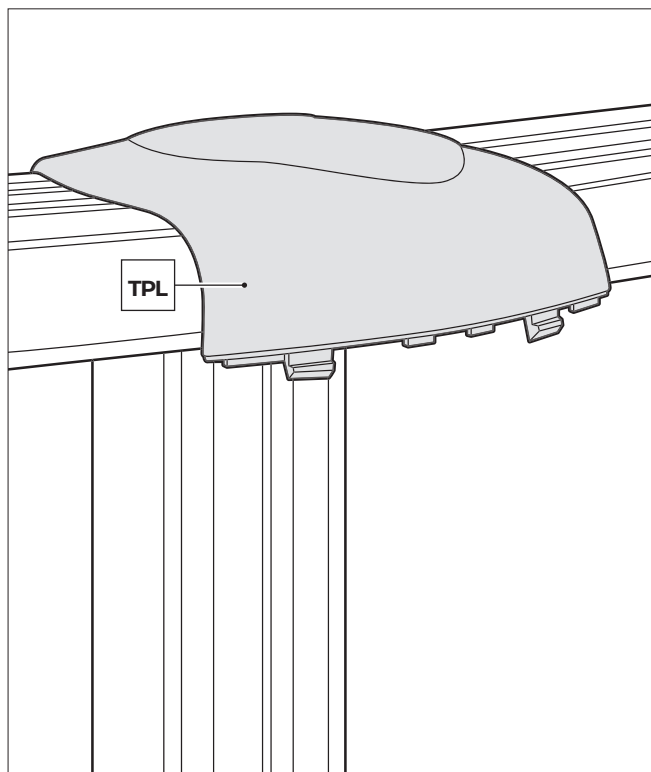
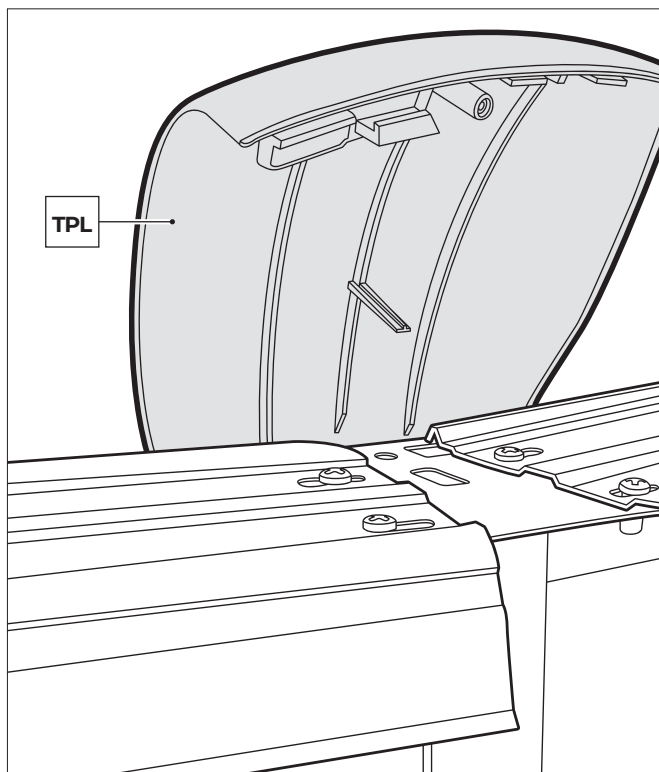
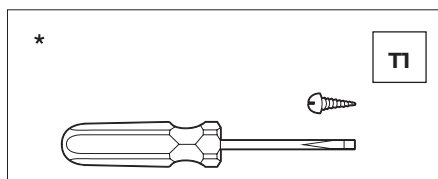


4.10

JOINT PROTECTORS: TPL and TP. (Only for 132 cm pools)

These pieces are to be fitted joining and protecting the trim pieces. Joint protectors are made up of 2 elements: Strim Piece protector (TPL) and Vertical Section protector (TP). First, the back side of TPL has to be fixed to the back side of the 2 strim pieces. Then, it has to be tightened to the front side of the pool, fixing the TPL verge to the PU1 hole. Now, fix TP to TPL by the lower

side using a screw T1 to join them. This process is to be repeated for all the joint protectors. ATTENTION: For the straight area, the TP notch must be removed so the part fits into the PV2.



4.11

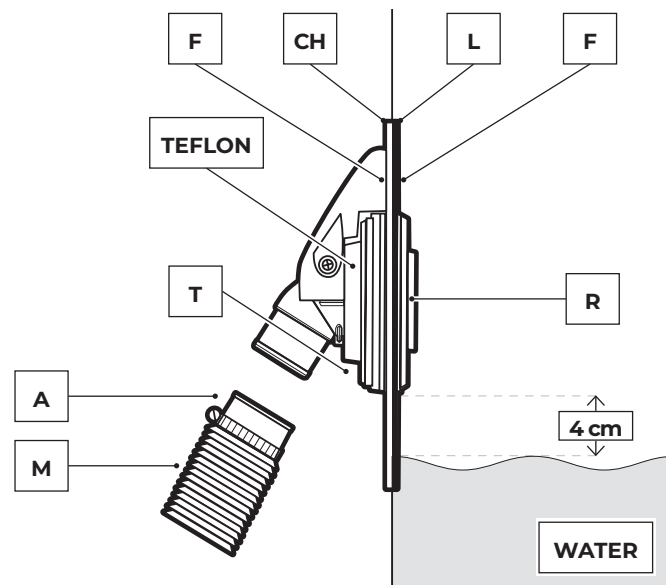
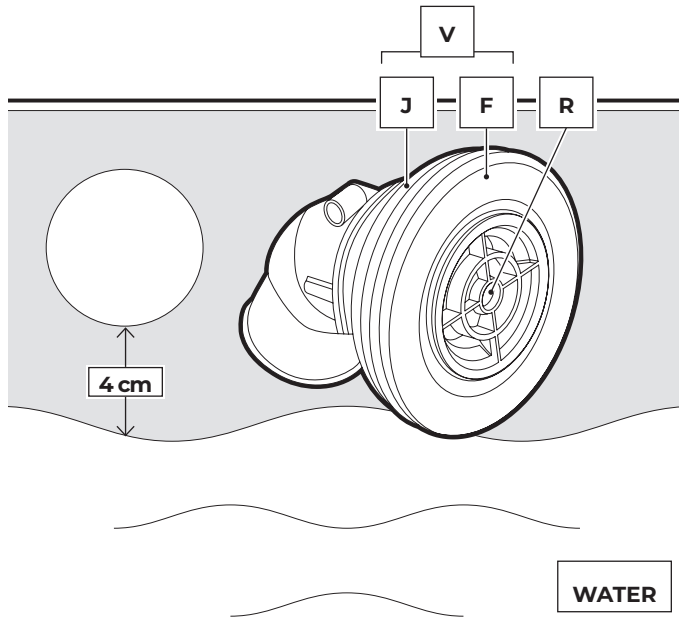
FITTING THE RETURN VALVE (V):

(IMPELLER NOZZLE: V)

This valve is located at the bottom of the pool wall, and water is returned to the pool through it after treatment in the treatment unit. Start pouring water into the pool through a garden hose, and stop 4 cm below the bottom of the valve hole (check the liner is clean before filling

the pool). Mark the position of the hole on the liner with a felt pen and make a cross-shaped cut in the centre of the mark with a stanley knife or similar. Do not cut beyond the edge of the hole. Place inside the pool through the cut, with a seal (J) and a friction ring (F). Cut the protruding part of the liner.

Fit the other seal (J) and the other friction ring (F) and tighten firmly with the nut (T). Insert the return hose (M) which goes from the outlet of the treatment unit to the return valve (V), and secure it with the clamp (A).



4.12

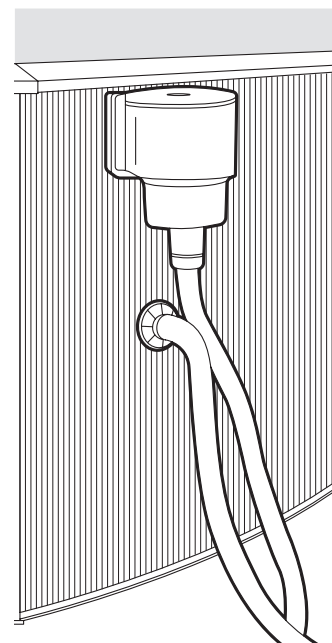
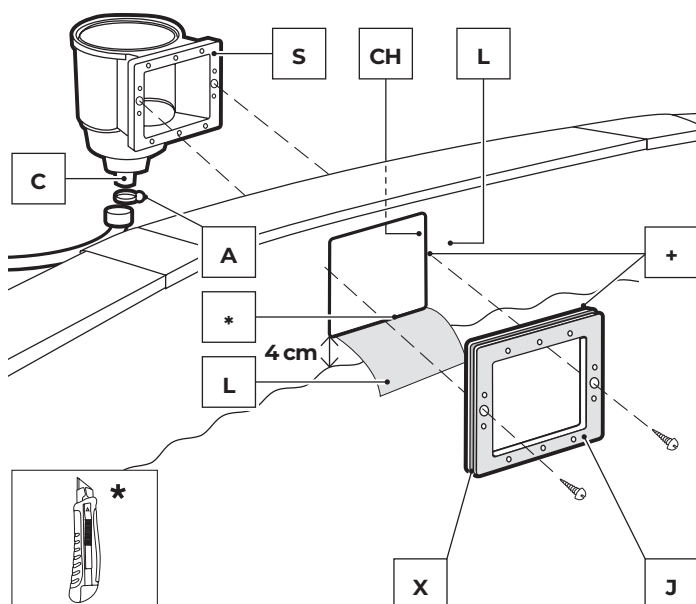
ATTACHING THE SKIMMER BODY (S) TO THE OUTSIDE OF THE POOL:

Fill the pool with water until the level is 4 cm from the bottom of the perforation for the skimmer. Using a Stanley knife, cut the liner (L) inside the pool opposite the perforation. Locate the double seal (J) so that the wall plate and

liner are within the groove (X) made for this purpose and fit the two shorter screws into the larger centre holes from the inside of the pool through the double seal and the liner. Screw them into the center holes on the skimmer (S). Cover the connecting bushing (C) and the water treatment unit inlet with Teflon. Screw the connecting bushing (C) tightly to the skimmer,

connect one end of the hose to the skimmer connecting bushing (C) using a clamp (A), and fit the other end to the treatment unit inlet. Clamp this end also.

NB.- Fit Teflon on all water hose connection threads to ensure leak-tightness.



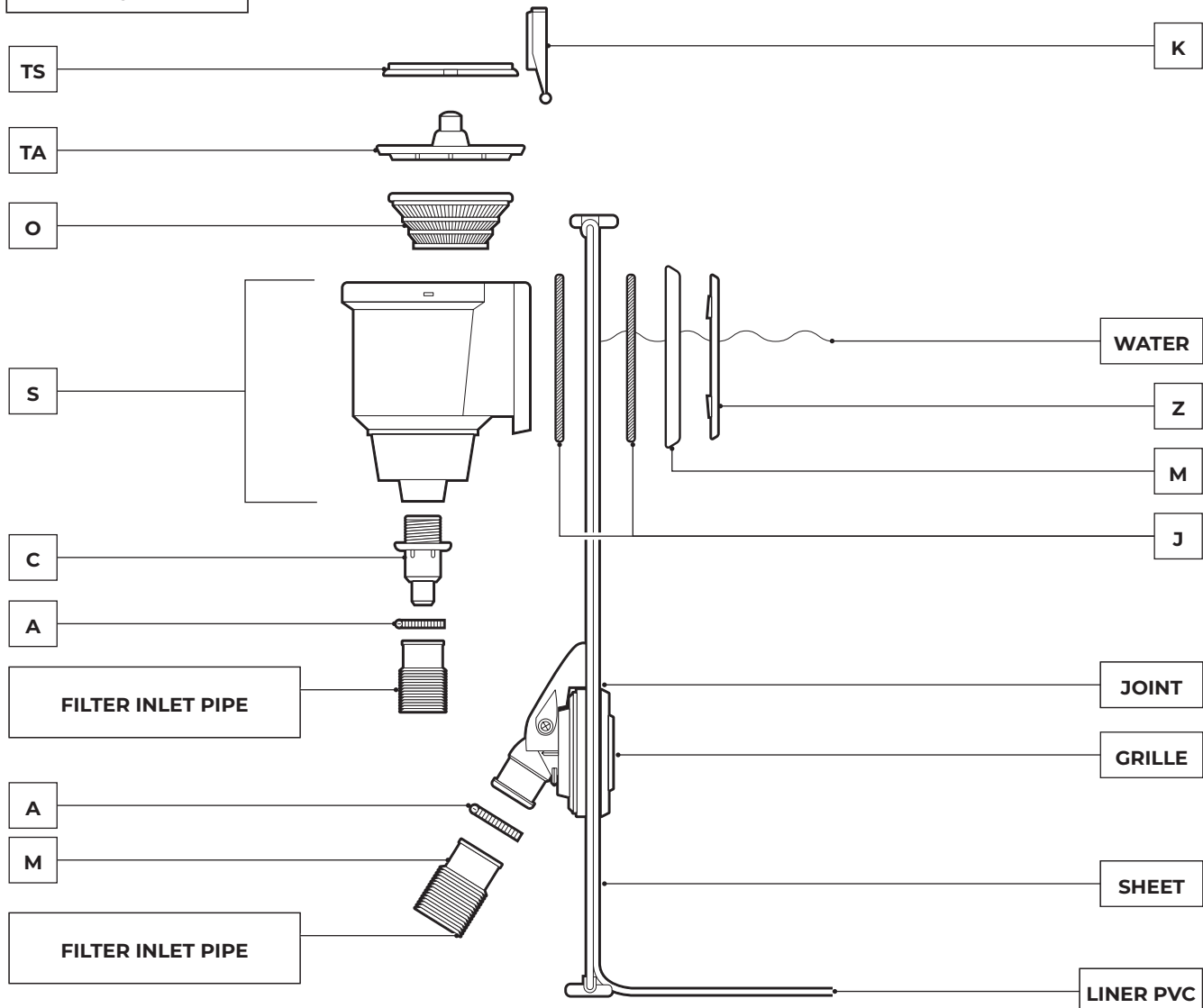
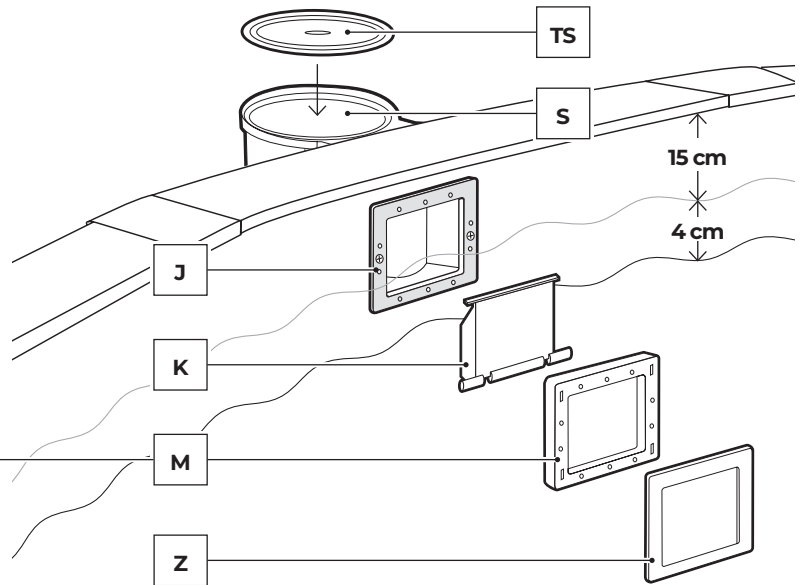
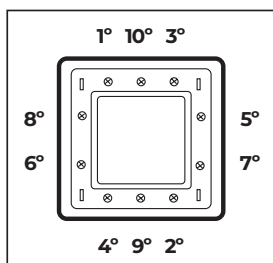
4.13

FITTING THE SKIMMER FRAME (M):

En sure that all holes are lined up properly (seal to wall plate perforation to skimmer). Screw 10 remaining screws loosely through the frame to check that the fit is correct. Then tighten the screws a little more one by one in the order indicated. Finally, tighten them fully in the same order.

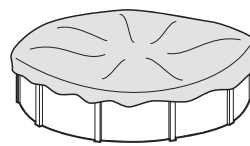
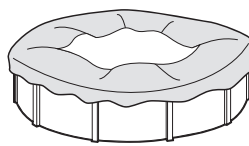
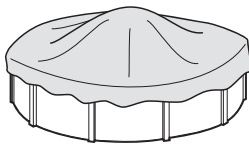
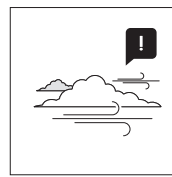
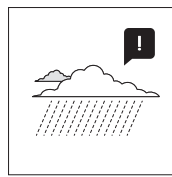
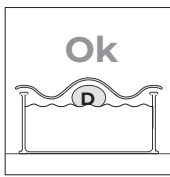
LAST DETAILS: Pressure fit the trim part of the skimmer frame (Z). To finish, introduce the flap (K) through the rectangular gap (delicately press the two ends and fit the protrusions). Place the basket (O) into the skimmer and the skimmer body cover (TS).

FINISH FILLING THE POOL UP TO HALFWAY UP THE SKIMMER DOOR, (10-15 cm below the pool edge) SO WATER ENTERS INTO IT AND FILLS THE FILTERING SYSTEM.



#5

Maintenance and use.



- **The pool water level must always be at least 15 cm from the edge of the upper edge of the same.**
- During the season for use of a pool kit, use the filtering system once a day to assure complete recycling of all the water and always when the pool is not used for bathing (see purifier manual).
- During the season for using the pool, regularly verify the obstruction level of the filtering means.
- Revise all the screws of the pool, and the possible corrosion points as much as possible.
- Never completely empty the pool. There is a risk of seriously damaging the pool structure if there is not sufficient water level.
- Not respecting the maintenance instructions can cause serious health risks, especially for children.

- The use of a pool kit involves respecting safety instructions defined in the maintenance and usage guide.
- Never leave a pool kit for installation of the ground outside and empty.
- Regularly clean the PVC liner and the water level line with non-abrasive products. Periodically clean the bottom fold layer at the joint with the side liner because dirt can collect at this point. If you accidentally make a small hole in the liner, it can be repaired with AR202 or V12 patches.
- The summer covers (isothermal) protect your pool from insects, dust, leaves, etc. and prevent loss of water temperature. Always place it with the bubbles in contact with the water.



**RESPECT THE ENVIRONMENT
DO NOT TAKE APART THE
POOL UNLESS IT IS STRICTLY
NECESSARY. IF YOU DO SO,
PLEASE REUSE THE WATER.
WATER IS A SCARCE GOOD.**

When your pool reaches the end of its useful life, it should be disassembled; the different materials (plastic and steel) should be separated and taken to the disposal point indicated by local authorities.

WINTER-SEASON:

A) If you choose not to dismantle the pool:

- 1- Clean the liner bottom and sides with a non-abrasive product.
 - 2- Treat the water with a chemical product for wintering. We recommend using LIQUID WINTERISER instead of floats with solid product to avoid discolouring the liner.
 - 3- Leave the pool full of water considering:
 - a) For pools with skimmer and refilling pipe, reduce the water level 5 cm underneath the skimmer and close the refilling pipe with the screw tap which is included with the filter.
 - b) For pools with exhaustion and refilling pipes, reduce the water level 20 cm from the superior edge of the pool and close the pipes using the screw system incorporated.
 - 4- Disconnect the pipes. Do not dismantle the skimmer and the refilling and exhaustion pipes.
 - 5- Protect the pool with a winter cover, and put a floating element between the cover and the water, in order to protect it from frost.
 - 6- Filter: disconnect it from the pool. Clean it, empty the sand or remove the cartridge, dry it and keep it in a covered and sheltered from dampness place.
 - 7- Accessories: remove every accessories (ladder, alarm, spotlight, pole...), rinse them with soft water and tidy them away.
- TO RUN THE POOL AGAIN: Remove the winter cover, install the filter, change at least 1/3 of water and realize a chlorine treatment. Switch on the filter for at least 8 hours in an uninterrupted way, respecting the continuous working period indicated in the filter manuals.

B) If you choose to dismantle the pool:

- 1- Empty the pool. Measures: Filter, Automatic pump for handling clean water or communicating vessels system. Communicating vessels system: Use the hose from your filter with the smallest cross-section. Fix a weight to one of its end and plunge it into the swimming pool. After this, sink the whole hose, until there is no air inside. With one hand, and under the water stop up hermetically the end of the hose and take it to the emptying point. Remove hand, and water will start running. Do not use this water for watering the plants, because it contains chemical products.
- 2- Clean every pool constituents with a sponge and a soap product with a neutral pH. Dry them and tidy them away in a dry and clean place. That's normal that after having installed and dismantled the pool several times, the P.V.C liner dilate and loose its elasticity.

TO RUN THE POOL AGAIN: Read another time this manual instructions from the beginning.



CHEMICAL MEASURES:

Please read carefully the chemical product manufacturer instructions. WARNING: Keep chemical products in a clean, dry and out of children place. Important:

Every products used have to be compatible with the P.V.C liner.

- **First filling:** Analyse the water pH and chlorine (Cl) and adjust them to the optimal levels: pH: 7,2 – 7,6; Chlorine: 0,5 – 2 ppm.
- **Chlorine treatments:** Consist in increasing the chlorine level until approximately 20 ppm to eliminate germs and seaweeds. This process has to be done only when the pool water comes from rivers or ponds, ... or if it stayed a long time without any treatments.
- **Checking:** Check at least once a week the chlorine levels (use a chlorine and pH analyser). In the same way, we advise to add an algicide to prevent seaweeds appearance.

Never have a swim before the chlorine level stabilization. Do always use a floating dispenser for the chemical product (tablets) dissolution. The chemical product measuring out has to be done in accordance with: Your pool water volume, the bathe frequency, the climatic conditions, the water temperature and the location. Do always move the water and wait for the chemical product dissolution before adding another one. Wait approximately 12 hours between any pH, chlorine or algicide adjustment using the filter system.

MECHANICAL MEASURES:

Check the filter, the skimmer, the valves and the pipes are well connected to the pool. Do consider high water temperature will involved more time for the filtering.

Theoretic filtering time = Water volume / Filter system discharge (generally 8h/day with water temperature of 21°C), (Ideal: 2h in the morning – 4h around midday – 2h in the afternoon). PLEASE RESPECT THE CONTINUOUS WORKING PERIOD INDICATED IN THE FILTER MANUALS.

VACUUM CLEANER (MANUAL OR AUTOMATIC):

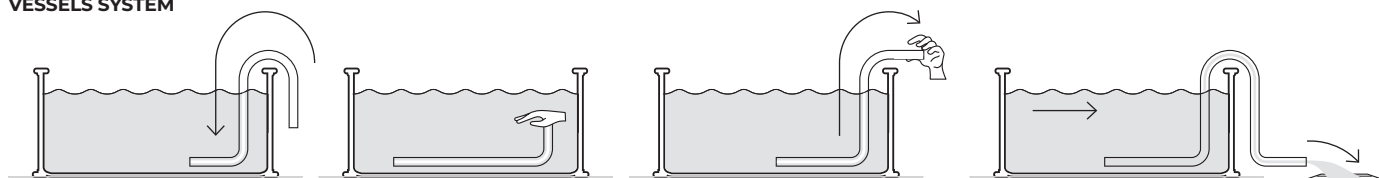
Only for pools with skimmer. Connect an hose extremity to the brush head and immerse it into the water to make it fill in. Connect the other pipe extremity to the exhaustion adapter (TA) and place it above the skimmer basket. Switch on the filter in the FILTER position and begin to clean the bottom. Pay special attention to areas with folds where dirt accumulates.

BOTTOM CLEANER VENTURY STYLE:

Connect a garden hose to the bottom cleaner join and introduce it into the pool. Open the tap until a normal pressure to make the water flow out against the bottom of the pool, producing in that way an ascendant stream which leave the dirt into the filter (bag) which is adjust on the bottom cleaner.

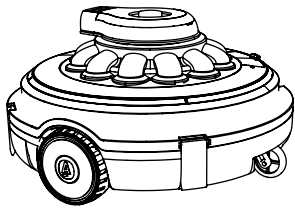
PROBLEM	CAUSE	SOLUTION
Muddy water	Bad filtration. High PH. Organic residues in excess	Perform a return was of the filter. Add PURIFIER in tablets using a dispenser. Perform a shock chlorinating.
Green water	Seaweed or mud formation	Gently clean the bottom and walls of the pool. Analyse the pH and adjust it to between 7.2 - 7.6. Add algicide and liquid purifier.
Brown water	Presence of iron or manganese	Analyse the pH and adjust it to between 7.2 - 7.6. Perform a shock chlorinating. Add liquid purifier.
Incustrations	Presence of Calcareous in the water	Analyse the pH and adjust it to between 7.2 - 7.6. Add anti-calcareous once a week.
Eyes and skin irritations. Bad smell.	Misadjusted PH. Organic residues in excess	Analyse the pH and adjust it to between 7.2 - 7.6. Perform a shock chlorinating.

EMPTYING - COMMUNICATING VESSELS SYSTEM

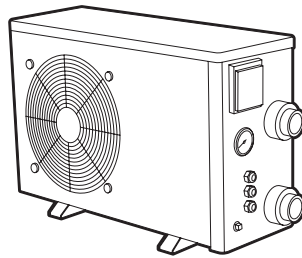


#6

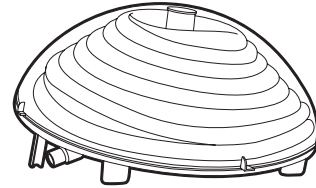
Accessories.



CLEANERS



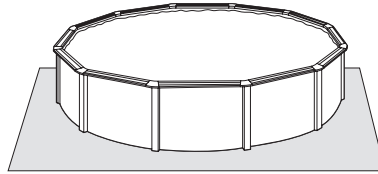
HEAT PUMPS



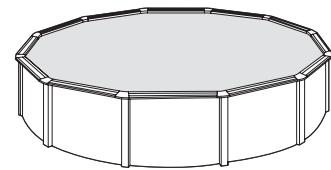
HEATING SYSTEMS



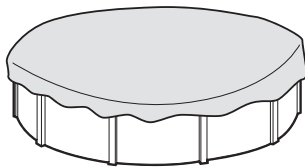
WATER TREATMENT



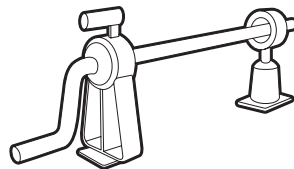
FLOOR TAPESTRY



ISOTHERMIC COVERS



WINTER COVERS



COVER ROLLER FOR ABOVE



SOLAR SHOWERS



IMPORTANT: you can view the entire range of products on our site: www.grepool.com



Guarantee card

Keep your manual with the purchase justification (payment receipt) for any type of reclamation.

Any reclamation against guarantee should be made by an online declaration, via the www.grepool.com/en/after-sales website, together with receipt of purchase. You may be asked for photographs to justify the claim. No returns of material will be accepted without previous agreement. The client will support all costs of all returns of goods, (packaging and transport).

AFTER VERIFICATION AND CONFIRMATION OF A MANUFACTURING DEFECT

→ The products that effectively show defects will be repaired or will be replaced free of transport costs.

The guarantee is limited to the repair or replacement of the defective part. It does not include, under any circumstance, the payment of compensation for harm and damages.

THE GUARANTEE IS NOT APPLICABLE IN THE FOLLOWING SITUATIONS:

- Use of materials that do not comply to our instructions.
- Damages caused by mishandling or an installation not complying with the instructions.
- The maintenance instructions were not followed.
- Inappropriate or wrong use of the chemical product.

IMPORTANT:

Manufacturas Gre interchanges components in exchange for others to be verified. If, after the verification no anomaly or dysfunction is detected, Manufacturas Gré reserves the right to invoice the client for the cost for transport and other diverse expenses.

DURATION OF THE GUARANTEE:

Gre pools are subject to the legal 2- years guarantee established by the General Consumers and Users Defence Act counting from the date of purchase and according to the terms of the same. We remind you that for the guarantee to be applicable the purchase receipt should be presented and/or the return of the product. Manufacturas Gre also grant an additional 2-year commercial guarantee for this pool model, that is to say making a total of 4 years, exclusively regarding the metallic parts of the pool structure. This additional commercial guarantee will not affect the rights of the consumer according to the legal guarantee.

The following is excluded from both guarantees:

- The PVC Liner, in the case of disassembly and re-assembly of the pool
- Stains or decolouring that can appear in the liner due to its use
- Damages to the pool derived from poor ground preparation where the pool is located
- Damage to the pool derived from burial of the same
- Any damage to the pool derived from misuse of the same, according to the instruction manual

Likewise, all plastic parts are excluded from the additional commercial guarantee, that is to say:

- The liner
- Any decorative part

To be able to benefit from the guarantee, your pool should include this document.

Guarantee valid for pools sold after 1 January 2016.

→ **Liner:** 2 years for the seams and water tightness in normal conditions of use. The guarantee does not include: Ripping, tears, breakages, stains (caused by pouring treatment products directly into the water), stains linked to the growth of algae, stains related to the decomposition of foreign bodies in contact with the liner, stains and decolouring resulting from the action of oxidising products, colour maintenance and wear due to friction of the material over diverse surfaces. Deformation of the liner that has been left without water for 24 hours (never completely empty the pool). You should keep the label with the serial number of the liner that is on the product and on its packaging. This number and a sample of the liner will be required for any eventual reclamation against the guarantee.

→ **Filter group:** The pump has 2 years guarantee (electrical problem), in normal conditions of use. The guarantee does not cover breakage of parts (pump base/sand deposit, pre-filter cover, multi-directional trap...), wear due to a poor connection, use of the pump without water, wear due to abrasion or corrosion (the filter group should be located in a cool and dry position, kept protected from water splashing).

→ **Other components:** 2 years.

THE FOLLOWING IS NOT INCLUDED IN THE GUARANTEE:

- Cuts in the liner
- The assembly and filter connection
- The assembly
- The filling with water
- Installation of the edges
- The wintering
- Maintenance

AFTER SALES SERVICE WITHOUT GUARANTEE:

The guarantee is valid in all the UE countries, UK and Switzerland. GRE offers the buyer -in addition to the rights of guarantee from the seller that correspond by law and without limiting them- an additional right according to the conditions of the following obligations guaranteed for new products.

→ In the case of problems, contact us:
www.grepool.com/en/after-sales





MANUFACTURAS GRE S.A.

Aritz Bidea, 57 BELAKO INDUSTRIALDEA,
APARTADO 69, 48.100 - MUNGUÍA (VIZCAYA) ESPAÑA.

www.grepool.com

GUARANTEE N°

We reserve the right to change all or part of the articles or contents of
this document, without prior notice