



EN HEAT PUMPS for above ground pools

ES BOMBAS DE CALOR para piscinas sobre suelo

FR POMPES À CHALEUR pour piscines hors sol

DE WÄRMEPUMPE für Aufstellbecken

IT POMPA DI CALORE per piscine fuori terra

NL WARMTEPOMP voor verwijderbare zwembaden

PT BOMBAS DE CALOR para piscinas elevadas

PO POMPA CIEPŁA do basenów naziemnych



mini
pool
heating




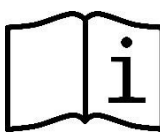
Refs. HPM20
HPM30
HPM40

Owner's Manual - Manual de Instrucciones
Manuel d'instructions - Bedienungsanleitung
Manuale delle istruzioni - Handleiding met instructies
Manual de instruções - Instrukcja obsługi

INDEX FOR DIFFERENT LANGUAGES

Warning.....	2~56
English manual	57~73
Manual en Español.....	74~89
Notice en Français.....	90~107
Deutsches Handbuch	108~124
Manuale Italiano	125~140
Manual Português.....	141~158
Netherland manual	159~175
Polskiej firmy	176~191
Warranty	192-198

 **WARNINGS**

	This symbol shows that information is available such as the Operating Manual or Installation Manual.		This symbol shows that this appliance uses R32, a low burning velocity refrigerant.
	This symbol shows that the Operation Manual should be read carefully.		This symbol shows that service personnel should be handling this equipment with reference to the Installation Manual.

GENERAL WARNINGS

- Failure to respect the warnings may cause serious damage to the pool equipment or cause serious injury, even death.
- Only a person qualified in the technical fields concerned (electricity, hydraulics or refrigeration) is authorised to carry out maintenance or repair work on the appliance. The qualified technician working on the appliance must use/wear personal protective equipment (such as safety goggles and protective gloves, etc.) in order to reduce the risk of injury occurring when working on the appliance.
- Before handling the appliance, check that it is switched off and isolated.
- This appliance is not intended for use by individuals (including children, over the age of 8) lacking inexperience or with impaired physical, sensory or mental capabilities, unless: they receive supervision and are instructed on how to use the appliance by a person responsible for their safety; and if they understand the hazards involved.
- Children must be supervised to ensure that they do not play with the appliance.
- The appliance must be installed according to the manufacturer's instructions and in compliance with local and national standards. The installer is responsible for installing the appliance and for compliance with national installation regulations. Under no circumstances may the manufacturer be held liable in the event of failure to comply with applicable local installation standards.
- For any work other than the simple user maintenance described in this manual, the product should be referred to a qualified professional.
- Incorrect installation and/or use may cause serious damage to property or serious injuries (possibly causing death).
- If the appliance suffers a malfunction, do not try to repair it yourself; instead contact a qualified technician.
- Deactivating, eliminating or by-passing any of the safety mechanisms integrated into the appliance shall automatically void the warranty, in addition to the use of spare parts manufactured by unauthorised third-party manufacturers.
- Do not spray insecticide or any other chemical (flammable or non-flammable) in the direction of the appliance, as this may damage the body and cause a fire.
- Do not touch the fan or moving parts and do not place objects or your fingers in the vicinity of the moving parts when the appliance is in operation. Moving parts can cause serious injury or even death.

WARNINGS ASSOCIATED WITH ELECTRICAL APPLIANCES

- The power supply to the appliance must be protected by a dedicated 30 mA Residual Current Device (RCD), complying with the standards and regulations in force in the country in which it is installed.
- Do not use any extension lead when connecting the appliance; connect the appliance directly to a suitable power supply.
- Before carrying out any operations, check that:
 - The voltage indicated on the appliance information plate corresponds to the mains voltage.
 - The power grid must be adapted to the power requirements of the appliance, and is grounded.
 - The plug (where applicable) is suitable for the socket.
- Do not disconnect and reconnect the appliance to the power supply when in operation.
- Do not pull on the power cord to disconnect it from the power supply.
- If the power cord is damaged, it must be replaced by the manufacturer, its technician or a qualified person to guarantee safety.
- Do not perform maintenance or servicing operations on the appliance with wet hands or if the appliance is wet.
- Before connecting the appliance to the power supply, check that the connection unit or socket to which the appliance will be connected is in good condition and shows no signs of damage or rust.
- In stormy weather, disconnect the appliance from the power supply to prevent it from suffering lightning damage.
- Do not immerse the appliance in water or mud; keep the circuit breaker away from water.

WARNINGS CONCERNING APPLIANCES CONTAINING REFRIGERANT R32

- R32 refrigerant is classed under category A2L as mildly flammable.
- Do not release R32 fluid into the atmosphere. These are fluorinated greenhouse gases, covered by the Kyoto Protocol, with a Global Warming Potential (GWP) of 675 (European regulation EU 517/2014).
- The appliance must be stored in a well-ventilated location away from all ignition sources.
- Install the unit outdoors. Do not install the unit indoors or in an enclosed and non-ventilated outdoor location.
- Do not use means for accelerating the defrosting or cleaning process other than those recommended by the manufacturer.
- The appliance must be stored in a room without any permanent ignition source (such as open flames, operating gas appliance or operating electric heating).
- Do not perforate or incinerate.
- Please note that R32 refrigerant may give off a certain odour.
- In order to comply with the applicable standards and regulations in terms of the environment and installation, in particular French decree No. 2015-1790 and/or European regulation EU 517/2014, a leak test must be performed on the cooling circuit at least once a year. This operation must be carried out by a specialist certified to test cooling appliances.
- Please keep the display controller in a dry area, to protect the display controller from being damaged by humidity.

MAINTENANCE: WARNINGS CONCERNING APPLIANCES CONTAINING R32 REFRIGERANT

- When servicing the appliance, the composition and state of the heat transfer fluid must be checked, as well as the absence of any traces of refrigerant.
- During the annual appliance sealing test in accordance with applicable legislation, the high and low pressure switches must be checked to ensure that they are securely fastened to the refrigerant circuit and that they cut off the electrical circuit when tripped.
- During maintenance work, ensure there are no traces of corrosion or oil around the cooling components.
- Do not braze or weld the pipe if there is refrigerant inside machine. Please do not charge the gas when in a confined space.

Area check

- Before starting work on systems containing flammable refrigerants, safety checks must be carried out to guarantee a minimal ignition risk.

Work procedure

- The work must be carried out according to a controlled procedure in order to reduce the risks of releasing a flammable gas or vapour while working.
- Before beginning work on the cooling circuit, stop the appliance and wait for a few minutes before fitting the temperature and pressure sensors. Some elements such as the compressor and piping may reach temperatures in excess of 100°C and high pressures with the consequent risk of severe burns.

General work area

- All maintenance staff and other personnel working in the surrounding area must be made aware of the work carried out. Work conducted in enclosed areas must be avoided.

Check for the presence of refrigerant

- The area must be analysed using a suitable refrigerant detector before and during work so that the technician is informed of the presence of a potentially toxic or flammable atmosphere. Check that the leak detection equipment used is suitable for use with all refrigerants concerned, i.e. that it does not cause a spark, is correctly isolated or is entirely safe.

Check for the presence of a fire extinguisher

- If work must be carried out on the cooling equipment or any part associated therewith at a certain temperature, suitable fire extinguishing means must be within reach. Place a dry chemical fire extinguisher or CO₂ fire extinguisher near the work area.

No source of ignition

- No person carrying out work on a cooling system involving exposing the piping may use any ignition source, which could create a fire or explosion risk. All possible ignition sources, in particular cigarettes, must not enter within a sufficient perimeter of the installation, repair, removal or disposal site, in the event that refrigerant could be released into the surrounding space. Before starting the work, the area around the equipment must be examined to check for all fire or ignition risks. "No smoking" signs must be displayed.

Area ventilation

- Before accessing the unit in any manner whatsoever with the intention of performing any maintenance task, check that the area is open and well-ventilated. Suitable ventilation must be provided throughout the maintenance task to allow any refrigerant that could be released into the atmosphere to be safely dispersed.

Refrigeration equipment check

- The manufacturer's recommendations in terms of care and maintenance must always be complied with. When replacing electric components, check that components used are of the same type and category as those recommended/approved by the manufacturer. When in doubt, contact the manufacturer's technical department for assistance.
- The following checks must be applied to installations using flammable refrigerants:
 - if an indirect cooling circuit is used, the presence of refrigerant in the secondary circuit must be analysed;
 - the markings on the equipment must remain visible and legible; any illegible markings or signs must be rectified;
 - the hoses or components of the cooling circuit are installed in a position where they are unlikely to be exposed to any substance capable of corroding the components containing refrigerant, unless the components are made from materials that are typically corrosion-proof or correctly protected from such corrosion.

Electric component check

- The repair and maintenance of electric components must include initial safety checks and component inspection procedures. If a defect capable of jeopardising safety arises, no power supply must be connected to the circuit until the problem has been completely resolved. If the defect cannot be rectified immediately

and if maintenance work must continue, an appropriate temporary solution must be found. This must be reported to the equipment's owner so that all persons concerned are made aware.

- The repair and maintenance of electric components must include the following initial safety checks:
 - the capacitors are discharged: this must be carried out safely to prevent all risks of ignition;
 - no electric component or live wiring is exposed while charging, overhauling or draining the system;
 - the system must be grounded at all times.

Repair of insulated components

- When repairing insulated components, all power sources must be disconnected from the equipment on which the work is being carried out before removing the insulating cover, etc. If the equipment must be powered during maintenance work, a leak detector must continuously monitor for leaks at the most critical point in order to report any potentially hazardous situation.
- Particular attention must be paid to the following points to ensure that, when performing work on the electric components, the housing is not altered to the point of affecting the protection rating. This includes damaged wires, an excessive number of connections, terminals that do not comply with the original specifications, damaged seals, incorrect installation of the cable glands, etc.
- Make sure that the appliance is properly fixed.
- Make sure that the seals or insulating materials are not deteriorated to the point that they no longer prevent a flammable atmosphere from penetrating the circuit. Spare parts must be compliant with the manufacturer's specifications.

Repair of intrinsically safe components

- Do not apply any permanent electric capacitance or induction charge to the circuit without checking that it does not exceed the allowed voltage and intensity for the equipment being used.
- Typically safe components are the only types on which work can be carried out in the presence of a flammable atmosphere when live. The test appliance must fall under a suitable classification.
- Only replace components with parts specified by the manufacturer. Other parts could cause the refrigerant to leak and ignite in the atmosphere.

Wiring

- Check that the wiring shows no signs of wear, corrosion, excessive pressure, vibration, cutting edges or any other detrimental environmental effect. The check must also take into account the effects of ageing or continuous vibrations caused by sources such as compressors or fans.

Detection of flammable refrigerant

- Under no circumstances must potential ignition sources be used to search for or detect refrigerant leaks. A halide torch (or any other detector using a naked flame) must not be used.
- The following leak detection methods are considered to be acceptable for all cooling systems.
- Electronic leak detectors can be used to detect refrigerant leaks; however, in the case of flammable refrigerants, the sensitivity level may not be suitable or recalibration may be necessary. (The detection equipment must be calibrated in an area devoid of refrigerant). Check that the detector is not a potential ignition source and is appropriate for the refrigerant used. The leak detection equipment must be adjusted to a percentage of the refrigerant's LFL and must be calibrated according to the refrigerant used. The appropriate gas percentage (25% at most) must be confirmed.
- Leak detection fluids are also suited for use with most refrigerants, however the use of detergents containing chlorine must be avoided since it could react with the refrigerant and cause corrosion to the copper piping.
- If a leak is suspected, all naked flames must be removed/extinguished.
- If a refrigerant leak is detected and requires soldering, the entire quantity of refrigerant must be removed from the system or isolated (by way of shut-off valves) in part of the system located away from the leak.

Removal and discharge

- When accessing the cooling circuit to carry out repairs, or for any other reason, conventional procedures must be employed. However, for flammable refrigerants, the recommendations must be complied with in order to take account of the product's flammability. The following procedure must be followed:

- remove the refrigerant;
- purge the circuit with an inert gas (optional for A2L);
- drain (optional for A2L);
- purge with an inert gas (optional for A2L);
- open the circuit by cutting or soldering.
- The refrigerant charge must be recovered in suitable recovery cylinders. For appliances containing flammable refrigerants other than A2L refrigerants, the system must be bled with nitrogen devoid of oxygen to make the appliance suitable for receiving flammable refrigerants. You may need to repeat this process several times. Compressed air or oxygen must not be used to purge cooling systems.

Loading procedures

- Check that the vacuum pump outlet is not located in the vicinity of any potential ignition source and that ventilation is provided.
- In addition to conventional charging procedures, the following requirements apply.
- Check that there is no possibility of cross-contamination between the different refrigerants when using charging equipment. Hoses or lines must be as short as possible to reduce the quantity of refrigerant contained therein.
- Cylinders must be kept in an appropriate position, in accordance with the instructions.
- Check that the cooling system is grounded before charging the system with refrigerant.
- Label the system once charging is complete (if this is not already the case).
- Pay close attention to not overfilling the cooling system.
- Before recharging the system, carry out a pressure test using a suitable purge gas. The system must be examined to make sure there are no leaks after the charging operation and before commissioning. A follow-up leak test must be carried out before leaving the site.

Dismantling

- Before dismantling, the technician must familiarise himself/herself with the equipment and its specifications. We highly recommend carefully recovering all refrigerants. Before this, oil and refrigerant samples must be taken if analyses are to be carried out before any other use of the recovered refrigerant. Check for the presence of a power supply before starting work.
 1. Familiarise yourself with the equipment and how it operates.
 2. Electrically isolate the system.
 3. Before starting work, check the following points:
 - mechanical handling equipment is available if needed to handle the refrigerant cylinders;
 - all personal protective equipment is available and used correctly;
 - the recovery process is followed at all times by a cognizant person;
 - the recovery cylinders and equipment comply with the relevant standards.
 4. Drain the cooling system where possible.
 5. If a vacuum cannot be created, install a manifold in order to be able to remove the refrigerant from various locations within the system.
 6. Make sure that the cylinder is located on the scales before starting recovery operations.
 7. Start the recovery unit and operate as per its instructions.
 8. Do not overfill the cylinders (no more than 80% of the volume must be filled with liquid).
 9. Do not exceed the maximum working pressure of the cylinder, even temporarily.
 10. When the cylinders have been filled correctly and the process is complete, check that the cylinders and the equipment are quickly removed from the site and that the alternative shut-off valves on the equipment are closed.
 11. The recovered refrigerant must not be charged in another cooling system, unless it has been cleaned and inspected.

TROUBLESHOOTING

- All brazing must be carried out by qualified brazers.
- Replacement pipes must always be made of copper in compliance with standard NF EN 12735-1.
- Leak detection; pressure test:
 - never use oxygen or dry air, risk of fire or explosion,

- use dry nitrogen or the mixture of nitrogen and refrigerant indicated on the information plate,
- the test pressure for both the high and low pressure circuits must not exceed 42 bar in cases where the appliance is equipped with the optional pressure gauge.
- The high pressure circuit pipes are made of copper and have a diameter equal to or greater than 1”5/8. A certificate as indicated in §2.1 in compliance with standard NF EN 10204 must be requested from the supplier and filed in the installation’s technical file.
- Technical data relative to the safety requirements of the various applicable directives are indicated on the information plate. All this information must be recorded in the appliance’s installation manual, which must be kept in its technical file: model, code, serial number, maximum and minimum OT, OP, year of manufacture, CE marking, manufacturer’s address, refrigerant and weight, electrical parameters, thermo- dynamic and acoustic performance.

LABELLING

- The equipment must be labelled so as to specify that it is out of order and that the refrigerant has been drained.
- The label must be dated and signed.
- For appliances containing a flammable refrigerant, check that labels are placed on the equipment stating that it contains a flammable refrigerant.

RECOVERY





- When draining the refrigerant for maintenance or decommissioning, best practices should be followed in order to safely drain all of the refrigerant.
- When transferring refrigerant to a cylinder, make sure that you use a recovery cylinder that is compatible with the refrigerant. Make sure that the correct number of cylinders are provided for recovering all of the refrigerant. All cylinders used must be intended for the recovery of refrigerant and must be labelled for this specific refrigerant. The cylinders must be equipped with a vacuum valve and a stop gate in good working order. Empty collection cylinders are drained and, where possible, cooled before recovery.
- The recovery equipment must be in good working order, the instructions for using the equipment must be within reach and the equipment must be compatible for use with the refrigerant concerned, including, where appropriate, a flammable refrigerant. Moreover, a set of calibrated scales must be available and in good working order. The pipework must be complete, have no leaks or disconnected connectors, and must be in good condition. Before using the recovery unit, check that it is in good working order, that it has been well maintained and that the associated electric components are sealed so as to prevent any risk of fire in the event of refrigerant being released. If you have any doubts, contact the manufacturer.
- The recovered refrigerant must be sent to the refrigerant supplier in its recovery cylinder with a waste transfer note. Do not mix different refrigerants in the recovery units, and in particular in the cylinders.
- If the compressor has been removed or if oil from the compressor has been drained, check that the refrigerant has been completely removed to prevent it from mixing with the lubricant. The draining process must be carried out before returning the compressor to the supplier. Only the electric heater of the compressor body can be used to accelerate this process. This operation can be carried out safely once all liquids within the system have been drained.



RECYCLING

This symbol is required by the European directive DEEE 2012/19/EU (directive on waste electrical and electronic equipment) and means that your appliance must not be thrown into a normal bin. It will be selectively collected for the purpose of reuse, recycling or transformation. If it contains any substances that may be harmful to the environment, these will be eliminated or neutralised. Contact your retailer for recycling information.

ADVERTENCIAS

	Este símbolo indica que hay más información disponible en el Manual de usuario o en el Manual de instalación.		Este símbolo indica que el aparato utiliza R32, un refrigerante con baja velocidad de combustión.
	Este símbolo indica que hay que leer con atención el Manual de usuario.		Este símbolo indica que el técnico de mantenimiento debe manipular el equipo de acuerdo con el Manual de usuario.

ADVERTENCIAS GENERALES

- El incumplimiento de las advertencias podría deteriorar el equipo de la piscina o provocar heridas graves, incluso la muerte.
- Solo una persona cualificada en los ámbitos técnicos concernidos (electricidad, hidráulico o frigorífico) está habilitada para realizar tareas de mantenimiento o de reparación de este aparato. El técnico cualificado que intervenga sobre el aparato deberá utilizar/llevar un equipo de protección individual adecuado (gafas de seguridad, guantes, etc.) para reducir el riesgo de lesiones que pudieran producirse durante dicha intervención.
- Antes de realizar cualquier intervención en el aparato, asegúrese de que está apagado y desconectado de la red eléctrica.
- Este aparato no debe ser utilizado por personas (incluidos niños mayores de 8 años) con una discapacidad física, sensorial o mental o que no dispongan de la experiencia y el conocimiento adecuados, salvo si se utiliza bajo la supervisión o las instrucciones de una persona responsable de su seguridad y si conocen los riesgos a los que se exponen.
- Los niños deben estar vigilados en todo momento para asegurarse de que no jueguen con el aparato.
- La instalación del aparato debe ser realizada de acuerdo con las instrucciones del fabricante y cumpliendo las normas locales vigentes. El instalador es responsable de la instalación del aparato y del cumplimiento de las normativas nacionales de instalación. En ningún caso el fabricante será responsable del incumplimiento de las normas de instalación locales en vigor.
- Para cualquier acción que no se corresponda con el mantenimiento simple a cargo del usuario descrito en el presente manual, se deberá recurrir a un técnico cualificado.
- Una instalación y/o un uso incorrectos pueden ocasionar daños materiales o provocar lesiones corporales graves, incluso la muerte.
- En caso de mal funcionamiento del equipo: no intente repararlo usted mismo y contacte con un técnico cualificado.
- Cualquier desactivación, la eliminación o elusión de uno de los elementos de seguridad incluidos en el aparato anulará automáticamente la garantía, así como el uso de piezas de recambio no originales, procedentes de fabricantes no autorizados.
- No pulverice insecticida ni ningún otro producto químico (inflamable o no inflamable) sobre el aparato, ya que podría deteriorar la carrocería y provocar un incendio.
- No toque el ventilador ni las piezas móviles y no introduzca ninguna varilla ni los dedos a través de la rejilla durante el funcionamiento del mismo. Las piezas móviles pueden provocar lesiones e incluso la muerte.

AVERTISSEMENTS LIÉS À DES APPAREILS ÉLECTRIQUES

- La alimentación eléctrica del aparato se debe proteger mediante un dispositivo de corriente diferencial residual (DDR) de 30 mA, de acuerdo con las normas vigentes en el país de instalación.
- No utilice alargaderas para conectar el aparato a la red eléctrica; conéctelo directamente a un enchufe mural adaptado.
- Antes de cualquier operación, compruebe que:
 - La tensión indicada en el aparato corresponde con la de la red.
 - La red de alimentación eléctrica es adecuada para el uso del aparato y cuenta con una toma de tierra.
 - El enchufe se adapta a la toma de corriente.
- No desconecte y vuelva a conectar el aparato en funcionamiento.
- No tire del cable de alimentación para desenchufarlo.
- Si el cable de alimentación está deteriorado, deberá ser reemplazado por el fabricante, su agente de mantenimiento o un técnico cualificado para evitar eventuales riesgos.
- No realice ninguna intervención de limpieza o de mantenimiento del aparato con las manos mojadas o si el aparato está húmedo.
- Antes de conectar la unidad a la fuente de alimentación, verifique que el bloque de terminales o la toma de corriente a la que se conectará la unidad estén en buenas condiciones y no estén dañados ni oxidados.
- En caso de tormenta, desconecte el aparato de la red para evitar que sea dañado por un rayo.
- No sumerja el aparato en agua ni en barro ; mantenga el disyuntor alejado del agua

ADVERTENCIAS RELACIONADAS CON LOS APARATOS QUE CONTIENEN REFRIGERANTE R32

- Este aparato contiene refrigerante R32, de categoría A2L y potencialmente inflamable.
- No descargar el fluido R32 en la atmósfera, ya que es un gas fluorado de efecto invernadero, cubierto por el protocolo de Kioto, con potencial de calentamiento global (GWP) = 675 (ver directiva europea UE 517/2014).
- El aparato se debe almacenar en un lugar bien ventilado, lejos de cualquier fuente de llama.
- Instale el aparato en el exterior. No instale el aparato en el interior ni en un lugar cerrado y sin ventilación natural.
- No emplee métodos de aceleración del proceso de deshielo o de limpieza no recomendados por el fabricante.
- El aparato se debe almacenar en un lugar alejado de toda fuente constante de ignición (p. ej.: llamas abiertas, aparato de gas encendido o calefacción eléctrica encendida).
- No perforar ni incinerar el aparato.
- El refrigerante R32 puede soltar cierto olor.
- Para cumplir con las normas y los reglamentos en materia ambiental y de instalación, en concreto el Decreto n.º 2015-1790 y/o el Reglamento UE 517/2014, se debe realizar una prueba de fugas en el circuito de refrigeración al menos una vez al año. Esta operación debe ser realizada por un especialista certificado en aparatos de refrigeración.
- Mantenga el controlador de pantalla en un lugar seco para protegerlo de que se dañe por la humedad

MANTENIMIENTO: ADVERTENCIAS RELACIONADAS CON LOS APARATOS QUE CONTIENEN REFRIGERANTE R32

- Durante la limpieza del aparato, hay que controlar la composición y el estado del fluido térmico, así como la ausencia de restos de refrigerante.
- Durante el control anual de estanqueidad del aparato, según la normativa vigente, se debe comprobar que los presostatos de alta y baja presión están bien conectados al circuito frigorífico y que cortan el circuito eléctrico en caso de dispararse.
- Durante el mantenimiento, compruebe que no hay restos de corrosión ni manchas de aceite alrededor de los componentes refrigerantes.
- No suelde ni suelde la tubería si hay refrigerante dentro de la máquina. No cargue el gas cuando se

encuentre en un espacio confinado.

Verificación de la zona

- Antes de comenzar a trabajar en sistemas que contienen refrigerantes inflamables, es necesario realizar controles de seguridad para reducir el riesgo de ignición.

Protocolo de trabajo

- El trabajo se debe realizar siguiendo un protocolo controlado para reducir el riesgo de liberación de gases o vapores inflamables durante el trabajo.
- Antes de cualquier intervención en el circuito refrigerante, hay que parar obligatoriamente el aparato y esperar unos minutos antes de colocar los sensores de temperatura o de presión; algunos equipos, como el compresor y las tuberías, pueden alcanzar temperaturas superiores a 100°C y presiones elevadas que pueden provocar quemaduras graves.

Zona general de trabajo

- Todo el personal de mantenimiento y el resto de personas que trabajan en la zona aledaña deberán ser informados del trabajo realizado. Se debe evitar trabajar en espacios confinados.

Verificación de la presencia de refrigerante

- El área debe ser revisada por un detector de refrigerante apropiado antes y durante los trabajos para poder informar al técnico de la presencia de una atmósfera potencialmente tóxica o inflamable. Asegúrese de que el equipo de detección de fugas utilizado se adapte al uso de todos los refrigerantes concernidos, es decir, que no pueda provocar chispas, esté bien aislado o sea totalmente seguro.

Presencia de un extintor

- Para toda intervención en el equipo de refrigeración o en cualquier componente que requiera cierta temperatura, habrá que tener siempre a mano un equipo de extinción de incendios apropiado. Instale un extintor de polvo o CO₂ cerca de la zona de trabajo.

Ausencia de fuente de ignición

- Toda persona que intervenga en un sistema de refrigeración y tenga que poner al descubierto los tubos deberá evitar el uso de fuentes de ignición que puedan suponer un riesgo de incendio o de explosión. Todas las fuentes de ignición, incluido un cigarrillo, deben mantenerse a una distancia segura de la zona de instalación, reparación, extracción o eliminación cuando el refrigerante pueda llegar a ser liberado en el área aledaña. Antes de realizar cualquier intervención, hay que examinar el área circundante al equipo para asegurarse de que no haya peligro de incendios o chispas. Se deben colocar carteles de "Prohibido fumar".

Ventilación de la zona

- Antes de acceder para cualquier tarea de mantenimiento, asegúrese de que la zona esté abierta y bien ventilada. Se debe mantener una ventilación adecuada que permita la dispersión segura de cualquier refrigerante eventualmente liberado a la atmósfera durante las tareas de mantenimiento del aparato.

Verificación del equipo de refrigeración

- Se deben seguir siempre las recomendaciones de mantenimiento y de limpieza del fabricante. Cuando reemplace componentes eléctricos, asegúrese de usar solo componentes del mismo tipo y categoría que estén recomendados o autorizados por el fabricante. En caso de duda, consulte con el servicio técnico del fabricante.
- En instalaciones que utilizan refrigerantes inflamables se deben realizar las siguientes verificaciones:
 - las marcas en el equipo deben permanecer visibles y legibles y hay que corregir toda marca o señal ilegible
 - los tubos o componentes del circuito frigorífico se suelen colocar en lugares poco expuestos a sustancias que puedan corroer los componentes que contienen refrigerante, salvo si los componentes estén fabricados con materiales resistentes a la corrosión o adecuadamente protegidos contra la corrosión.

Verificación de los componentes eléctricos

- La reparación y el mantenimiento de componentes eléctricos deben incluir controles de seguridad iniciales y

procedimientos de inspección de los componentes. En caso de fallo susceptible de comprometer la seguridad, no se debe conectar una fuente de alimentación al circuito hasta la resolución total del problema. Si no se puede subsanar dicho fallo de inmediato, pero hay que proseguir con el trabajo, se deberá hallar una solución temporal apropiada y comunicar al propietario del equipo esta situación para que todos los interesados sean informados de ello.

- La reparación y el mantenimiento de componentes eléctricos deben incluir los siguientes controles de seguridad iniciales:
 - condensadores descargados: hacerlo de manera segura para evitar cualquier riesgo de ignición
 - no exponer ningún componente eléctrico ni cableado eléctrico durante la carga, la reparación o la purga del sistema
 - mantener en todo momento la conexión a tierra.

Reparación de los componentes aislados

- Para las reparaciones de componentes aislados, todas las fuentes de alimentación eléctrica se deben desconectar del equipo intervenido antes de retirar la cubierta, etc. Si el equipo debe seguir conectado a la red eléctrica durante el mantenimiento, habrá que instalar un detector de fugas que funcione permanentemente en el punto más crítico para que informe de cualquier situación potencialmente peligrosa.
- Para garantizar que al trabajar con componentes eléctricos la caja no se vea afectada y se reduzca el nivel de protección, se debe prestar especial atención a los siguientes puntos: cables dañados, número excesivo de conexiones, terminales que no cumplen con los requisitos originales, juntas deterioradas, instalación incorrecta de los prensaestopas, etc.
- Compruebe que el aparato esté correctamente fijado.
- Asegúrese de que las juntas o los materiales aislantes no se hayan deteriorado hasta el punto de que no puedan proteger el circuito ante una concentración de atmósfera inflamable. Las piezas de repuesto deben cumplir siempre con las especificaciones del fabricante.

Reparación de componentes intrínsecamente seguros

- No aplique ninguna carga por inducción o eléctrica continua al circuito sin antes haberse asegurado de que no exceda el voltaje y la intensidad permitidos para el equipo en cuestión.
- Los componentes normalmente seguros son los únicos en los que se puede trabajar si están bajo tensión en presencia de una atmósfera inflamable. El aparato de prueba debe ser de la clase apropiada.
Reemplace los componentes solo con piezas especificadas por el fabricante. De lo contrario, otras piezas podrían encender el refrigerante en la atmósfera en caso de fugas.

Cableado

- Verifique que el cableado no presente desgaste, corrosión o esté expuesto a presión excesiva, vibración, bordes cortantes u otros efectos ambientales adversos. Se debe controlar asimismo los efectos del envejecimiento o de las vibraciones continuas causadas por fuentes como compresores o ventiladores.

Detección de fluido refrigerante inflamable

- No se deben utilizar en ningún caso fuentes potenciales de ignición para la búsqueda o detección de fugas de refrigerante. No se deben utilizar lámparas de haluro ni cualquier otro detector de llama abierta.
- Los siguientes métodos de detección de fugas se consideran aceptables para todos los sistemas de refrigeración.
- Se pueden emplear detectores electrónicos de fugas para detectar fugas de refrigerante. No obstante, en el caso de refrigerantes inflamables, la sensibilidad puede no ser adecuada o puede requerir un reajuste. (El equipo de detección se debe calibrar en un lugar libre de cualquier refrigerante). Asegúrese de que el detector no sea una fuente potencial de ignición y que sea adecuado para el refrigerante utilizado. El equipo de detección de fugas se debe ajustar a un porcentaje del LFL del refrigerante y se debe calibrar en función del refrigerante empleado. Se debe confirmar el porcentaje de gas apropiado (25 % máximo).
- Los fluidos de detección de fugas también se adaptan para la mayoría de los refrigerantes, pero hay que evitar utilizar detergentes que contengan cloro, ya que pueden reaccionar con el refrigerante y corroer los tubos de cobre.
- En caso de sospecha de fuga, habrá que eliminar o extinguir todas las llamas desnudas.

- Si se detecta una fuga de refrigerante y se requiere una intervención de soldadura, habrá que retirar todo el refrigerante del sistema o aislarlo (mediante las válvulas de cierre) en una parte del sistema alejado de dicha fuga.

Retirada y evacuación

- Para acceder al circuito de refrigerante en caso de reparaciones o por cualquier otro motivo, hay que seguir los procedimientos estandarizados. Sin embargo, para refrigerantes inflamables se deben respetar escrupulosamente las recomendaciones específicas, a saber:
 - retirar el refrigerante
 - purgar el circuito con un gas inerte (opcional para A2L)
 - evacuar (opcional para A2L)
 - purgar con un gas inerte (opcional para A2L)
 - abrir el circuito mediante corte o soldadura.
- El refrigerante se debe recuperar en las botellas de recuperación apropiadas. Para los aparatos que contienen refrigerantes inflamables que no sean refrigerantes A2L, el sistema se debe purgar con nitrógeno sin oxígeno para adecuar el aparato a refrigerantes inflamables. Puede ser necesario repetir este proceso varias veces. No se debe usar aire comprimido ni oxígeno para purgar los sistemas de refrigeración.

Protocolo de carga

- Asegúrese de que la salida de la bomba de vacío no esté cerca de ninguna fuente potencial de ignición y que haya una ventilación adecuada.
- Además de los procedimientos de carga habituales, se deben respetar los siguientes requisitos:
- Asegúrese de que no haya posibilidad alguna de contaminación entre diferentes refrigerantes al usar un equipo de carga. Las mangueras o líneas deben ser lo más cortas posible para reducir la cantidad de refrigerante que contienen.
- Las botellas deben mantenerse en una posición adecuada según las instrucciones.
- Asegúrese de que el sistema de refrigeración esté conectado a tierra antes de cargarlo con refrigerante.
- Etiquete el sistema una vez cargarlo (si no se ha hecho antes).
- Tenga mucho cuidado de no llenar en exceso el sistema de refrigeración.
- Antes de volver a cargar el sistema, hay que realizar una prueba de presión con el gas de purga adecuado. Se debe examinar el sistema para detectar fugas al final de cada carga, pero antes de la puesta en marcha. Antes de abandonar la instalación, hay que realizar una prueba de control de fugas.

Desmantelamiento

- Antes de cualquier desmantelamiento, es fundamental que el técnico esté familiarizado con el equipo y sus características. Se recomienda en particular recuperar todos los refrigerantes. Antes de llevar a cabo esta tarea, hay que recuperar una muestra de aceite y de refrigerante para eventuales pruebas necesarias antes de emplear el refrigerante recuperado. Antes de comenzar la tarea, es fundamental verificar la presencia de alimentación eléctrica.
 1. Familiarícese con el equipo y su funcionamiento.
 2. Aísle eléctricamente el sistema.
 3. Antes de comenzar, asegúrese de que:
 - el equipo de manipulación mecánica esté disponible (en caso necesario) para mover las botellas de refrigerante
 - todo el equipo de protección individual esté disponible y se use correctamente
 - el proceso de recuperación esté supervisado en todo momento por una persona cualificada
 - el equipo y las botellas de recuperación cumplan con las normas aplicables en vigor.
 4. Evacúe el sistema de refrigeración si es posible.
 5. Si no se puede crear vacío, instale un colector para retirar el refrigerante desde varios lugares del sistema.
 6. Asegúrese de que la botella esté bien colocada en la balanza antes de comenzar la recuperación de refrigerante.
 7. Ponga en marcha la máquina de recuperación y utilícela siguiendo las instrucciones.
 8. No cargue en exceso las botellas (no más del 80 % del volumen de carga líquida).
 9. No supere la presión máxima de trabajo de la botella, ni siquiera temporalmente.

10. Una vez las botellas correctamente llenadas y el proceso completado, asegúrese de que se retiren rápidamente las botellas y el equipo de la instalación y que las válvulas de aislamiento alternativas en el equipo estén cerradas.
11. El refrigerante recuperado no se debe utilizar en otro sistema de refrigeración a menos que haya sido limpiado y verificado.

REPARACIÓN

- Todas las intervenciones de soldadura deberán ser realizadas por soldadores cualificados.
- La sustitución de tuberías solo se debe realizar con tubo de cobre según la norma francesa NF EN 12735-1.
- Detección de fugas, como en el caso de la prueba bajo presión:
 - no utilice nunca oxígeno ni aire seco, debido al riesgo de incendio o de explosión,
 - utilice nitrógeno deshidratado o una mezcla de nitrógeno y de refrigerante indicada en la placa descriptiva,
 - si el aparato dispone de un manómetro, al medir la presión, la alta no debe superar los 42 bares.
- Para las tuberías del circuito de alta presión realizadas con tubo de cobre con un diámetro $\phi > 1\frac{5}{8}$, debe pedir al proveedor un certificado §2.1 según la norma francesa NF EN 10204 e incluirlo en el informe técnico de la instalación.
- En la placa descriptiva figura la información técnica relativa a las exigencias de seguridad de las distintas directivas aplicadas. Toda esta información debe figurar en las instrucciones de instalación del aparato, incluida en el informe técnico de la instalación: modelo, código número de serie, TS máx. y mín., PS, año de fabricación, marcado CE, dirección del fabricante, refrigerante y peso, parámetros eléctricos, rendimiento termodinámico y acústico.

ETIQUETADO

- El equipo debe estar etiquetado, con la indicación de haber sido desarmado y vaciado de todo el refrigerante.
- La etiqueta debe incluir fecha y firma.
- Para los aparatos que tienen un refrigerante inflamable, asegúrese de que las etiquetas estén pegadas al equipo y que indiquen la presencia de un refrigerante inflamable.

RECUPERACIÓN

- Al vaciar el refrigerante para tareas de mantenimiento o para el desmantelamiento del equipo, conviene seguir las mejores prácticas para vaciar todo el refrigerante de manera segura.
- Al transferir el refrigerante a una botella, asegúrese de emplear una botella de recuperación adaptada a dicho refrigerante. Asegúrese de tener la cantidad correcta de botellas para recuperar todo el líquido. Todas las botellas que se vayan a utilizar deben estar diseñadas para la recuperación de refrigerante y deben estar etiquetadas para ese refrigerante concreto. Las botellas deben llevar una válvula de vacío y válvulas de cierre en buen estado. Las botellas de recuperación vacías se deben evacuar y, si es posible, enfriar antes de la recuperación.
- El equipo de recuperación debe funcionar correctamente, las instrucciones del equipo deben permanecer siempre al alcance del personal y el equipo debe ser el adecuado para el refrigerante en cuestión, incluido, cuando corresponda, el refrigerante inflamable. Además, hay que disponer de un conjunto de balanzas bien calibradas y en buen estado de funcionamiento. Los tubos deben estar completos, sin fugas ni racores desconectados y en buen estado. Antes de utilizar la máquina de recuperación, verifique que esté en buenas condiciones de funcionamiento, que se haya mantenido adecuadamente y que los componentes eléctricos asociados estén sellados para evitar cualquier riesgo de ignición cuando se libera refrigerante. En caso de duda, consulte con el fabricante.
- El refrigerante recuperado se debe devolver al proveedor de refrigerante en su botella de recuperación, junto con una nota de transferencia de residuos. No mezcle distintos refrigerantes en los recipientes de recuperación, sobre todo en las botellas.
- Si se quita el compresor o se purga el aceite del compresor, verifique que se haya vaciado por completo el refrigerante para evitar la mezcla con lubricante. El proceso de vaciado debe realizarse antes de devolver el compresor al proveedor. Solo el calentador eléctrico del cuerpo del compresor se puede emplear para acelerar este proceso. La purga de todos los líquidos de un sistema se debe llevar a cabo de manera segura.







Reciclaje

Este símbolo requerido por la directiva europea RAEE 2012/19/UE (directiva sobre residuos de aparatos eléctricos y electrónicos) significa que no debe tirar a la basura el aparato. Hay que depositarlo en un contenedor adaptado de recogida selectiva para su reutilización, reciclaje o recuperación. Si contiene sustancias potencialmente peligrosas para el medio ambiente, estas deberán ser eliminadas o neutralizadas. Consulte con su distribuidor las modalidades de reciclaje.



AVERTISSEMENTS

	<p>Ce symbole indique que de plus amples informations sont disponibles dans le Manuel d'utilisation ou dans le Manuel d'installation.</p>		<p>Ce symbole indique que l'appareil utilise du R32, un réfrigérant à faible vitesse de combustion.</p>
	<p>Ce symbole indique que le Manuel d'utilisation doit être lu avec attention.</p>		<p>Ce symbole indique qu'un technicien de maintenance doit manipuler cet équipement conformément au Manuel d'utilisation.</p>

AVERTISSEMENTS GÉNÉRAUX

- Le non-respect des avertissements pourrait causer des dommages à l'équipement de la piscine ou entraîner de graves blessures, voire la mort.
- Seule une personne qualifiée dans les domaines techniques concernés (électricité, hydraulique ou frigorifique), est habilitée à faire la maintenance ou la réparation de l'appareil. Le technicien qualifié intervenant sur l'appareil doit utiliser/porter un équipement de protection individuel (tels que lunettes de sécurité, gants de protection, etc...) afin de réduire tout risque de blessure qui pourrait survenir lors de l'intervention sur l'appareil.
- Avant toute intervention sur l'appareil, s'assurer que celui-ci est hors tension et consigné.
- Cet appareil n'est pas prévu pour être utilisé par des personnes (y compris les enfants) dont les capacités physiques, sensorielles ou mentales sont réduites, ou des personnes dénuées d'expérience ou de connaissance, sauf si elles ont pu bénéficier, par l'intermédiaire d'une personne responsable de leur sécurité, d'une surveillance ou d'instructions préalables concernant l'utilisation de l'appareil. Il convient de surveiller les enfants pour s'assurer qu'ils ne jouent pas avec l'appareil.
- Cet appareil peut être utilisé par des enfants âgés d'au moins 8 ans et par des personnes ayant des capacités physiques, sensorielles ou mentales réduites ou dénuées d'expérience ou de connaissance, s'ils (si elles) sont correctement surveillé(e)s ou si des instructions relatives à l'utilisation de l'appareil en toute sécurité leur ont été données et si les risques encourus ont été appréhendés. Le nettoyage et l'entretien par l'utilisateur ne doivent pas être effectués par des enfants sans surveillance.
- L'installation de l'appareil doit être réalisée conformément aux instructions du fabricant et dans le respect des normes locales et nationales en vigueur. L'installateur est responsable de l'installation de l'appareil et du respect des réglementations nationales en matière d'installation. En aucun cas le fabricant ne pourra être tenu pour responsable en cas de non-respect des normes d'installation locales en vigueur.
- Pour toute autre action que l'entretien simple par l'utilisateur décrit dans cette notice, le produit doit être entretenu par un professionnel qualifié.
- Toute mauvaise installation et/ou utilisation peut entraîner des dégâts matériels, ou corporels sérieux (pouvant entraîner un décès),
- En cas de dysfonctionnement de l'appareil : ne pas tenter de réparer l'appareil par vous-même et contacter un technicien qualifié.
- Toute désactivation, élimination ou contournement de l'un des éléments de sécurité intégrés à l'appareil annule automatiquement la garantie, tout comme l'utilisation de pièces de remplacement provenant d'un fabricant tiers non autorisé.
- Ne pas vaporiser d'insecticide ou autre produit chimique (inflammable ou non-inflammable) vers l'appareil, il pourrait détériorer la carrosserie et provoquer un incendie.
- Ne pas toucher le ventilateur ou les pièces mobiles et ne pas insérer d'objets ou vos doigts à proximité des pièces mobiles lorsque l'appareil est en fonctionnement. Les pièces mobiles peuvent causer

des blessures sérieuses voire la mort.

AVERTISSEMENTS LIÉS À DES APPAREILS ÉLECTRIQUES

- L'alimentation électrique de l'appareil doit être protégée par un Dispositif de protection à courant Différentiel Résiduel (DDR) de 30 mA dédié, en conformité avec les normes en vigueur du pays d'installation.
- Ne pas utiliser de rallonge pour brancher l'appareil ; connecter l'appareil directement à un circuit d'alimentation adapté.
- Avant toute opération, vérifier que :
 - La tension indiquée sur la plaque signalétique de l'appareil correspond bien à celle du réseau,
 - Le réseau d'alimentation convient à l'utilisation de l'appareil, et qu'il dispose d'une prise à la terre,
 - La fiche d'alimentation s'adapte à la prise de courant.
- Ne pas débrancher et rebrancher l'appareil en cours de fonctionnement.
- Ne pas tirer sur le câble d'alimentation pour le débrancher.
- Si le câble d'alimentation est abîmé, il doit être impérativement remplacé par le fabricant, son agent technique ou une personne qualifiée afin de garantir la sécurité.
- Ne pas réaliser d'entretien ou de maintenance de l'appareil les mains mouillées ou si l'appareil est mouillé.
- Avant de connecter l'appareil à la source d'alimentation, vérifier que bloc de raccordement ou la prise d'alimentation à laquelle l'appareil sera connecté est en bon état et qu'il n'est pas endommagé ni rouillé.
- Par temps orageux, déconnecter l'appareil de l'alimentation électrique pour éviter qu'il ne soit endommagé par la foudre.
- Ne pas plonger l'appareil dans l'eau ou la boue;garder le disjoncteur à l'écart de l'eau.

AVERTISSEMENTS LIÉS AUX APPAREILS CONTENANT DU FLUIDE FRIGORIGÈNE R32

- Le réfrigérant R32 est un réfrigérant de catégorie A2L, qui est considéré comme potentiellement inflammable.
- Ne pas décharger le fluide R32 dans l'atmosphère. Ce fluide est un gaz fluoré à effet de serre, couvert par le protocole de Kyoto, avec un Potentiel de chauffage global (GWP) = 675 (réglementation européenne UE 517/2014).
- Installer l'unité à l'extérieur. Ne pas installer l'unité à l'intérieur ou dans un endroit clôt et non aéré en extérieur.
- L'appareil doit être stocké dans une pièce sans source d'étincelle en fonctionnement permanent (par exemple : flammes à l'air libre, appareil à gaz en fonctionnement ou chauffage électrique en fonctionnement).
- Ne pas percer, ni incinérer.
- À noter que le réfrigérant R32 peut dégager une certaine odeur.
- Afin de se conformer aux normes et aux réglementations pertinentes en matière d'environnement et d'installation, notamment au décret N° 2015-1790 et/ou à la réglementation européenne UE 517/2014, une recherche de fuite doit être effectuée sur le circuit de refroidissement au moins une fois par an. Cette opération doit être effectuée par un spécialiste certifié des appareils de refroidissement.
- Merci de conserver l'afficheur dans un endroit sec ou fermer son couvercle pour éviter que l'afficheur ne soit endommagé par l'humidité.

MAINTENANCE : AVERTISSEMENTS LIÉS AUX APPAREILS CONTENANT DU RÉFRIGÉRANT R32

- Pendant la phase d'entretien de l'appareil, la composition et l'état du fluide caloporteur seront contrôlés, ainsi que l'absence de trace de réfrigérant.
- Pendant le contrôle annuel d'étanchéité de l'appareil, conformément aux lois en vigueur, vérifier que les pressostats haute et basse pression sont raccordés correctement sur le circuit frigorifique et qu'ils coupent le circuit électrique en cas de déclenchement.
- Pendant la phase de maintenance, s'assurer qu'il n'y a pas de traces de corrosion ou de taches d'huile autour des composants frigorifiques.
- Ne pas braser ou souder le tuyau s'il y a du réfrigérant à l'intérieur de la machine. Veuillez ne pas charger le

gaz dans un espace confiné.

Vérification de la zone

- Avant de commencer à travailler sur des systèmes contenant des fluides frigorigènes inflammables, des contrôles de sécurité sont nécessaires pour garantir que le risque d'étincelle soit réduit.

Procédure de travail

- Les travaux doivent être effectués selon une procédure contrôlée afin de réduire le risque de libération d'un gaz ou de vapeur inflammable pendant les travaux.
- Avant toutes interventions sur le circuit frigorifique, il est impératif d'arrêter l'appareil et d'attendre quelques minutes avant la pose de capteurs de température ou de pression, certains équipements comme le compresseur et les tuyauteries peuvent atteindre des températures supérieures à 100°C et des pressions élevées pouvant entraîner de graves brûlures.

•

Zone générale de travail

- Tout le personnel de maintenance et les autres personnes travaillant dans la zone proche doivent être tenus au courant des travaux effectués. Les travaux dans des espaces confinés doivent être évités.

Vérification de la présence de réfrigérant

- La zone doit faire l'objet d'une vérification par un détecteur de réfrigérant approprié avant et pendant les travaux, afin que le technicien soit averti de la présence d'une atmosphère potentiellement toxique ou inflammable. S'assurer que l'équipement de détection des fuites utilisé est adapté à l'utilisation de tous les réfrigérants concernés, c'est-à-dire qu'il ne peut provoquer d'étincelle, est correctement isolé ou parfaitement sûr.

Présence d'un extincteur

- Si des travaux impliquant une certaine température doivent être effectués sur l'équipement frigorifique ou sur toute pièce associée, un équipement d'extinction des incendies approprié doit se trouver à portée de main. Mettre en place un extincteur à poudre ou à CO₂ à proximité de la zone de travail.

Absence de source d'ignition

- Aucune personne effectuant des travaux sur un système frigorifique et devant exposer la tuyauterie ne doit utiliser une quelconque source d'étincelle qui pourrait représenter un risque d'incendie ou d'explosion. Toutes les sources possibles d'étincelle, notamment une cigarette, doivent être gardées suffisamment à distance du site d'installation, de réparation, de retrait ou d'élimination, lorsque du réfrigérant peut potentiellement être libéré dans l'espace environnant. Avant les travaux, la zone autour de l'équipement doit être examinée afin de s'assurer qu'elle ne comporte pas de risque d'incendie ou de risque d'étincelle. Des panneaux « Interdiction de fumer » doivent être affichés.

Ventilation de la zone

- Avant d'accéder à l'unité d'une quelconque manière que ce soit pour y effectuer n'importe quel entretien, s'assurer que la zone est ouverte et bien aérée. Une aération appropriée, permettant une dispersion en toute sécurité de tout réfrigérant qui pourrait être libéré dans l'atmosphère, doit être maintenue pendant l'entretien de l'unité.

Vérification de l'équipement de réfrigération

- Les recommandations en matière d'entretien et de maintenance du fabricant doivent toujours être respectées. Lors du remplacement de composants électriques, s'assurer de n'utiliser que des composants du même type et de même catégorie, qui sont recommandés/approuvés par le fabricant. En cas de doute, consulter le service technique du fabricant pour obtenir de l'aide.
- Les vérifications suivantes doivent être appliquées aux installations utilisant des réfrigérants inflammables :
 - les marquages sur l'équipement doivent rester visibles et lisibles, tout marquage ou signal illisible doit être corrigé ;
 - les tuyaux ou composants frigorifiques sont installés dans une position où il est peu probable qu'ils soient exposés à toute substance qui pourrait corroder des composants contenant du réfrigérant, sauf si les composants sont fabriqués dans des matériaux normalement résistants à la corrosion ou correctement protégés contre une telle corrosion.

Vérification des composants électriques

- La réparation et la maintenance des composants électriques doivent comporter des contrôles de sécurité initiaux et des procédures d'inspection des composants. Si une défaillance pouvant compromettre la sécurité survient, aucune alimentation électrique ne doit être branchée au circuit jusqu'à ce qu'elle soit entièrement résolue. Si la défaillance ne peut être corrigée immédiatement, mais que les travaux doivent se poursuivre, une solution temporaire adaptée doit être trouvée. Ceci doit être signalé au propriétaire de l'équipement afin que toutes les personnes concernées soient averties.
- La réparation et la maintenance des composants électriques doivent inclure les contrôles de sécurité initiaux suivants :
 - les condensateurs sont déchargés : ceci doit être effectué en toute sécurité afin d'éviter toute possibilité d'étincelle ;
 - aucun composant électrique, ni aucun câblage alimenté n'est exposé pendant la charge, la remise en état ou la purge du système ;
 - le raccordement à la terre doit être présent en continu.

Réparation sur les composants isolés

- Lors de réparations sur des composants isolés, toutes les alimentations électriques doivent être débranchées de l'équipement sur lequel les travaux sont effectués avant tout retrait de couvercle d'isolement, etc. Si l'équipement doit absolument être alimenté en électricité pendant l'entretien, un dispositif de détection des fuites fonctionnant en permanence doit être placé au point le plus critique afin de signaler toute situation potentiellement dangereuse.
- Il convient de faire particulièrement attention aux points suivants afin de s'assurer que, lors de travaux sur des composants électriques, le boîtier n'est pas altéré au point d'affecter le niveau de protection. Ceci doit inclure les câbles endommagés, un nombre excessif de branchements, des bornes non conformes aux caractéristiques d'origine, les joints endommagés, une installation incorrecte des presse-étoupes, etc.
- S'assurer que l'appareil est correctement fixé.
- S'assurer que les joints ou les matériaux d'isolement ne se sont pas dégradés au point qu'ils n'empêchent plus une atmosphère inflammable de pénétrer dans le circuit. Les pièces de rechange doivent être conformes aux caractéristiques du fabricant.

Réparation des composants intrinsèquement sûrs

- N'appliquer aucune charge d'induction ou de capacité électrique permanente au circuit sans s'assurer que celle-ci n'excède pas la tension et l'intensité autorisées pour l'équipement en cours d'utilisation.
- Les composants normalement sûrs sont les seuls types sur lesquels il est possible de travailler en présence d'une atmosphère inflammable lorsqu'ils sont alimentés. L'appareil de test doit appartenir à la classe adaptée.
- Ne remplacer les composants que par des pièces spécifiées par le fabricant. D'autres pièces pourraient enflammer le réfrigérant dans l'atmosphère en raison d'une fuite.

Câblage

- Vérifier que le câblage ne présente pas d'usure, de corrosion, de pression excessive, de vibration, de bord coupant ou tout autre effet environnemental négatif. Le contrôle doit également prendre en compte les effets du vieillissement ou de vibrations en continu provoquées par des sources telles que des compresseurs ou des ventilateurs.

Détection de fluide réfrigérant inflammable

- En aucun cas, des sources potentielles d'étincelle ne doivent être utilisées pour la recherche ou la détection de fuites de réfrigérant. Une lampe haloïde (ou tout autre détecteur utilisant une flamme nue) ne doit pas être utilisée.
- Les méthodes de détection de fuite suivantes sont considérées comme acceptables pour tous les systèmes frigorifiques.
- Les détecteurs de fuite électroniques peuvent être utilisés pour détecter des fuites de réfrigérant mais, en cas de réfrigérant inflammable, il se peut que la sensibilité ne soit pas adaptée ou nécessite un nouvel étalonnage. (L'équipement de détection doit être étalonné dans un endroit ne présentant aucun réfrigérant.) S'assurer que le détecteur n'est pas une potentielle source d'étincelle et est adapté au

réfrigérant utilisé. L'équipement de détection des fuites doit être réglé à un pourcentage du LFL du réfrigérant et doit être étalonné en fonction du réfrigérant employé. Le pourcentage de gaz approprié (25 % au maximum) doit être confirmé.

- Les fluides de détection de fuites sont également adaptés pour une utilisation sur la plupart des réfrigérants, mais l'utilisation de détergents contenant du chlore doit être évitée, car il pourrait réagir avec le réfrigérant et corroder la tuyauterie en cuivre.
- Si une fuite est suspectée, toutes les flammes nues doivent être supprimées/éteintes.
- Si une fuite de réfrigérant est détectée et nécessite un brasage, tout le réfrigérant doit être retiré du système ou isolé (par le biais de vannes de fermeture) dans une partie du système à l'écart de la fuite.

Retrait et évacuation

- Lors d'un accès au circuit frigorifique pour effectuer des réparations, ou pour toute autre raison, des procédures conventionnelles doivent être utilisées. Cependant, pour des réfrigérants inflammables, il est essentiel de suivre les recommandations car l'inflammabilité est à prendre en compte. La procédure qui suit doit être respectée :
 - Retirer le réfrigérant ;
 - Purger le circuit avec un gaz inerte (facultatif pour l'A2L) ;
 - Evacuer (facultatif pour l'A2L) ;
 - Purger avec un gaz inerte (facultatif pour l'A2L) ;
 - Ouvrir le circuit par découpe ou brasage.
- La charge en réfrigérant doit être récupérée dans les bouteilles de récupération appropriées. Pour les appareils contenant des réfrigérants inflammables autres que des réfrigérants A2L, le système doit être purgé par de l'azote dépourvu d'oxygène pour rendre l'appareil apte à recevoir des réfrigérants inflammables. Il peut être nécessaire de répéter ce processus plusieurs fois. De l'air comprimé ou de l'oxygène ne doivent pas être utilisés pour purger des systèmes frigorifiques.

Procédures de chargement

- S'assurer que la sortie de la pompe à vide ne se trouve pas à proximité de toute source potentielle d'étincelle et qu'une aération est disponible.
- En plus des procédures de charge conventionnelles, les exigences suivantes doivent être respectées.
- S'assurer qu'aucune contamination entre différents réfrigérants n'est possible lors de l'utilisation d'un équipement de charge. Les flexibles ou les lignes doivent être aussi courts que possible afin de réduire la quantité de réfrigérant qu'ils contiennent.
- Les bouteilles doivent être maintenues dans une position appropriée, conforme aux instructions.
- S'assurer que le système frigorifique est relié à la terre avant de charger le système en réfrigérant.
- Étiqueter le système une fois la charge effectuée (si ce n'est pas déjà le cas).
- Faire particulièrement attention de ne pas trop remplir le système frigorifique.
- Avant de recharger le système, il faut y effectuer un test en pression à l'aide du gaz de purge approprié. Le système doit être examiné pour l'absence de fuite en fin de charge, mais avant la mise en service. Un test de fuite de suivi doit être effectué avant de quitter le site

Démantèlement

- Avant d'effectuer une procédure de démantèlement, il est indispensable que le technicien se soit bien familiarisé avec l'équipement et ses caractéristiques. Il est particulièrement recommandé de soigneusement récupérer l'intégralité des réfrigérants. Avant d'effectuer cette tâche, un échantillon d'huile et de réfrigérant doit être récupéré si des analyses s'avèrent nécessaires avant une autre utilisation du réfrigérant récupéré. Il est indispensable de vérifier la présence d'une alimentation électrique avant de débiter la tâche.
1. Se familiariser avec l'équipement et son fonctionnement.
 2. Isoler électriquement le système.
 3. Avant de débiter la procédure, s'assurer des points suivants :
 - Un équipement de manutention mécanique est disponible si nécessaire pour manipuler les bouteilles de réfrigérant ;
 - Tout l'équipement de protection individuelle est disponible et est correctement utilisé ;
 - Le processus de récupération est suivi à tout moment par une personne compétente ;

- L'équipement et les bouteilles de récupération sont conformes aux normes concernées.
- 4. Évacuer le système frigorifique, si possible.
- 5. Si un vide ne peut être créé, mettre en place un collecteur afin de pouvoir retirer le réfrigérant depuis divers emplacements sur le système.
- 6. S'assurer que la bouteille se trouve sur les balances avant de commencer les opérations de récupération.
- 7. Démarrer la machine de récupération et la faire fonctionner conformément aux instructions.
- 8. Ne pas trop remplir les bouteilles (pas plus de 80 % du volume en charge liquide).
- 9. Ne pas dépasser la pression maximale de fonctionnement de la bouteille, même temporairement.
- 10. Lorsque les bouteilles ont été remplies correctement et que le processus est terminé, s'assurer que les bouteilles et l'équipement sont rapidement retirés du site et que les vannes d'isolement alternatives sur l'équipement sont fermées.
- 11. Le réfrigérant récupéré ne doit pas être chargé dans un autre système frigorifique, à moins qu'il ait été nettoyé et contrôlé.

DÉPANNAGE

- Toute intervention de brasage devra être réalisée par des braseurs qualifiés.
- Le remplacement de tuyauteries ne pourra être réalisé qu'avec du tube cuivre conforme à la norme NF EN 12735-1.
- Détection de fuites, cas de test sous pression :
 - Ne jamais utiliser d'oxygène ou d'air sec, risques d'incendie ou d'explosion,
 - Utiliser de l'azote déshydratée ou un mélange d'azote et de réfrigérant indiqué sur la plaque signalétique,
 - La pression du test côté basse et haute pression ne doit pas dépasser 42 bars dans le cas où l'appareil est équipé de l'option manomètre.
- Pour les tuyauteries du circuit haute pression réalisées avec du tube cuivre d'un diamètre = ou > à 1''5/8, un certificat §2.1 suivant la norme NF EN 10204 sera à demander au fournisseur et à conserver dans le dossier technique de l'installation.
- Les informations techniques relatives aux exigences de sécurités des différentes directives appliquées, sont indiquées sur la plaque signalétique. Toutes ces informations doivent être enregistrées sur la notice d'installation de l'appareil qui doit figurer dans le dossier technique de l'installation : modèle, code, numéro de série, TS maximum et minimum, PS, année de fabrication, marquage CE, adresse du fabricant, réfrigérant et poids, paramètres électriques, performances thermodynamique et acoustique.

ÉTIQUETAGE

- L'équipement doit être étiqueté, mentionnant qu'il a été mis hors service et que le réfrigérant a été vidangé.
- L'étiquette doit être datée et signée.
- Pour les appareils contenant un réfrigérant inflammable, veiller à ce que des étiquettes soient apposées sur l'équipement, indiquant qu'il contient un réfrigérant inflammable.

RÉCUPÉRATION

- Lors de la vidange du réfrigérant, pour l'entretien ou la mise hors service, il est recommandé de suivre les bonnes pratiques pour vidanger l'intégralité du réfrigérant en toute sécurité.
- Lors du transfert de réfrigérant dans une bouteille, veiller à utiliser une bouteille de récupération adaptée au réfrigérant. Veiller à prévoir le bon nombre de bouteilles pour récupérer l'intégralité du fluide. Toutes les bouteilles à utiliser doivent être conçues pour la récupération de réfrigérant et doivent être étiquetées pour ce réfrigérant spécifique. Les bouteilles doivent être équipées d'une soupape de dépression et de vannes d'arrêt en bon état de fonctionnement. Les bouteilles de récupération vides sont évacuées et, si possible, refroidies avant la récupération.
- L'équipement de récupération doit être en bon état de fonctionnement, les consignes d'utilisation de l'équipement doivent être à portée de main et l'équipement doit être adapté au réfrigérant concerné, y compris, le cas échéant, au réfrigérant inflammable. De plus, un ensemble de balances calibrées doivent être disponibles et en bon état de fonctionnement. Les tuyaux doivent être complets, ne pas présenter de fuite ni de raccord déconnecté, et doivent être en bon état. Avant d'utiliser la machine de récupération,

vérifier qu'elle est en bon état de fonctionnement, qu'elle a été bien entretenue et que les composants électriques associés sont étanchéifiés afin d'éviter tout départ de feu en cas de libération de réfrigérant. En cas de doute, consulter le fabricant.

- Le réfrigérant récupéré doit être renvoyé au fournisseur de réfrigérant dans sa bouteille de récupération, avec une note de transfert de déchets. Ne pas mélanger différents fluides frigorigènes dans les unités de récupération, et en particulier dans les bouteilles.
- Si le compresseur est déposé ou que l'huile du compresseur est vidangée, vérifier que le réfrigérant a bien été évacué afin d'éviter qu'il ne se mélange au lubrifiant. Le processus de vidange doit être réalisé avant de renvoyer le compresseur au fournisseur. Seule la chauffe électrique du corps du compresseur peut être utilisée pour accélérer ce processus. Lorsque tous les liquides d'un système sont vidangés, cette opération doit être réalisée en toute sécurité.



Recyclage

Ce symbole requis par la directive européenne DEEE 2012/19/UE (directive relative aux déchets d'équipements électriques et électroniques) signifie que votre appareil ne doit pas être jeté à la poubelle. Il fera l'objet d'une collecte sélective en vue de sa réutilisation, de son recyclage ou de sa valorisation. S'il contient des substances potentiellement dangereuses pour l'environnement, celles-ci seront éliminées ou neutralisées. Renseignez-vous auprès de votre revendeur sur les modalités de recyclage.

 **WARNHINWEISE**

	<p>Dieses Symbol weist darauf hin, dass weitere Informationen in der Bedienungsanleitung oder im Installationshandbuch verfügbar sind.</p>		<p>Dieses Symbol weist darauf hin, dass dieses Gerät R32 verwendet, ein Kältemittel mit niedriger Brenngeschwindigkeit.</p>
	<p>Dieses Symbol weist darauf hin, dass die Bedienungsanleitung sorgfältig gelesen werden sollte.</p>		<p>Dieses Symbol weist darauf hin, dass ein Wartungstechniker dieses Gerät unter Beachtung der Bedienungsanleitung handhaben sollte.</p>

ALLGEMEINE WARNHINWEISE

- Durch die Nichteinhaltung der Warnhinweise können die Geräte im Schwimmbad beschädigt oder schwere bis tödliche Verletzungen verursacht werden.
- Nur ein qualifizierter Fachmann in den betreffenden technischen Bereichen (Elektrik, Hydraulik, Kältetechnik) ist befugt, Wartungs- oder Reparaturarbeiten am Gerät auszuführen. Der qualifizierte Techniker muss beim Eingriff am Gerät eine persönliche Schutzausrüstung (z. B. Schutzbrille, Schutzhandschuhe usw.) tragen, damit jede mit dem Eingriff am Gerät verbundene Verletzungsgefahr vermieden wird.
- Vor jedem Eingriff am Gerät muss dieses von der Stromversorgung getrennt und gegen ungewollte Einschaltung gesichert werden.
- Dieses Gerät ist nicht für die Verwendung durch Personen (einschließlich Kinder ab 8 Jahren) mit eingeschränkten körperlichen, sensorischen oder geistigen Fähigkeiten bzw. mangelnder Erfahrung ausgelegt, es sei denn:
 - sie werden von einer für ihre Sicherheit verantwortlichen Person überwacht oder hinsichtlich der Verwendung des Gerätes eingewiesen, und
 - sie haben die mit dessen Nutzung verbundenen Risiken verstanden.
- Kinder müssen beaufsichtigt werden, um sicherzustellen, dass sie nicht mit dem Gerät spielen.
- Die Installation des Geräts ist gemäß den Anweisungen des Herstellers sowie unter Einhaltung der geltenden lokalen und nationalen Normen durchzuführen. Der Installateur ist für die Installation des Gerätes und für die Einhaltung der nationalen Vorschriften hinsichtlich der Installation verantwortlich. Der Hersteller übernimmt keine Haftung im Fall einer Nichteinhaltung der geltenden nationalen Installationsnormen.
- Mit Ausnahme der in dieser Anleitung beschriebenen einfachen Wartung durch den Benutzer muss das Produkt durch einen qualifizierten Fachmann gewartet werden.
- Eine falsche Installation und/oder ein unsachgemäßer Gebrauch kann zu Sachschäden und schweren Körperverletzungen, ja sogar zum Tod führen.
- Die zulässigen Gleichgewichtswerte des Wassers für den Betrieb des Gerätes können den Garantiebedingungen entnommen werden.
- Jede Deaktivierung, Entfernung oder Umgehung eines der in das Gerät integrierten Sicherheitselemente führt automatisch zu einer Aufhebung der Garantie; das gleiche gilt für die Verwendung von Ersatzteilen eines nicht zugelassenen Drittlieferanten.
- Es darf kein Insektizid oder anderes (entzündbares oder nicht entzündbares) chemisches Produkt auf das Gerät gesprüht werden, weil dadurch das Gehäuse beschädigt und ein Brand ausgelöst werden kann.
- Der Ventilator und die beweglichen Teile dürfen während des Betriebs des Gerätes nicht berührt werden und es dürfen keine Gegenstände oder Finger in die Nähe der beweglichen Teile gesteckt werden.

Die beweglichen Teile können schwere und sogar tödliche Verletzungen verursachen.

WARNMELDUNGEN IN ZUSAMMENHANG MIT ELEKTRISCHEN GERÄTEN

- Die Stromversorgung des Gerätes muss durch eine eigene Fehlerstromschutzeinrichtung von 30 mA gemäß den am Installationsort geltenden Normen geschützt werden.
- Zum Anschluss des Gerätes kein Verlängerungskabel verwenden; es direkt an einen passenden Versorgungsstromkreis anschließen.
- Ist ein ortsfestes Gerät nicht mit einem Netzkabel und einem Stecker oder einem anderen Mittel zur Trennung vom Stromnetz mit einer allpoligen Kontakttrennung ausgestattet, die im Falle einer Überspannung der Kategorie III eine vollständige Trennung ermöglicht, so ist in der Anleitung anzugeben, dass die Trennmittel gemäß den Verdrahtungsregeln in die feste Verkabelung integriert werden müssen.
- Im Stromkreis des Gerätes muss eine geeignete Trennvorrichtung installiert werden, die alle lokalen und nationalen Anforderungen der Überspannungskategorie III erfüllt und allpolig vom Stromkreis trennt. Diese Trennvorrichtung ist nicht im Lieferumfang des Gerätes enthalten und muss vom Installateur gestellt werden.
 - Vor jeder Nutzung ist Folgendes zu prüfen:
 - die auf dem Typenschild des Gerätes angegebene Spannung stimmt mit der Netzspannung überein,
 - das Stromnetz ist für die Nutzung des Gerätes geeignet und es verfügt über einen Erdungsanschluss,
 - der Netzstecker passt (ggf.) in die Steckdose.
- Das Gerät darf während des Betriebs nicht vom Stromnetz getrennt und wieder angeschlossen werden.
 - Zum Ziehen des Steckers darf nicht am Stromkabel gezogen werden.
- Wenn das Stromkabel beschädigt ist, muss es zur Gewährleistung der Sicherheit vom Hersteller, von seinem Wartungsdienst oder von einem anderen qualifizierten Fachmann ersetzt werden.
- Keine Wartungs- oder Instandsetzungsarbeiten mit feuchten Händen oder an einem feuchten Gerät durchführen.
- Bevor das Gerät an die Stromquelle angeschlossen wird, sicherstellen, dass der Anschlussblock oder der Stromanschluss, an den das Gerät angeschlossen werden soll, in Ordnung ist und weder Schäden noch Rostspuren aufweist.
- Bei Gewitter muss das Gerät vom Stromnetz getrennt werden, um eine Beschädigung durch Blitzeinschlag zu vermeiden.
- Tauchen Sie das Gerät nicht in Wasser oder Schlamm. Halten Sie den Leistungsschalter von Wasser fern.

WARNHINWEISE IN ZUSAMMENHANG MIT GERÄTEN, DIE KÄLTEMITTEL ENTHALTEN

- R32 ist ein Kältemittel der Kategorie A2L, das als potenziell entzündbar gilt.
- Lassen Sie das Kältemittel R32 nicht in Atmosphäre entweichen. Dieses Fluid ist ein fluoriertes Treibhausgas, das vom Kyoto-Protokoll gedeckt wird, mit einem Treibhauspotenzial (GWP) von 675 (EU- Verordnung Nr. 517/2014).
 - Das Gerät muss an einem gut belüfteten Ort fernab von jeglicher Flammequelle gelagert werden.
- Das Gerät im Freien installieren. Das Gerät nicht im Innenbereich oder in einem eingezäunten, nicht belüfteten Außenbereich installieren.
- Keine anderen Mittel zur Beschleunigung des Abtau- oder Reinigungsprozesses als die vom Hersteller empfohlenen verwenden.
- Das Gerät muss in einem Raum ohne Funkenquelle im Dauerbetrieb gelagert werden (z. B. offene Flamme, Gasgerät im Betrieb oder elektrische Heizung im Betrieb).
 - Nicht durchbohren oder verbrennen.
 - Es ist zu beachten, dass das Kältemittel R32 einen gewissen Geruch freisetzen kann.
- Um die einschlägigen Umwelt- und Installationsnormen und -vorschriften, insbesondere den französischen Erlass Nr. 2015-1790 und/oder die EU-Verordnung 517/2014, einzuhalten, muss mindestens

einmal jährlich eine Dichtheitsprüfung des Kühlsystems durchgeführt werden. Dieser Vorgang muss von einem zertifizierten Kühlgerätechmann durchgeführt werden.

- Bitte bewahren Sie den Display-Controller an einem trockenen Ort auf oder schließen Sie die Isolationsabdeckung, um den Display-Controller vor Beschädigung durch Feuchtigkeit zu schützen.

WARTUNG: WARNHINWEISE IN ZUSAMMENHANG MIT GERÄTEN, DIE KÄLTEMITTEL R32 ENTHALTEN

- Während der Instandhaltungsphase des Geräts müssen die Zusammensetzung und der Zustand des Wärmeübertragungsmittels sowie das Fehlen von Spuren des Kältemittels kontrolliert werden.
- Während der jährlichen Dichtigkeitskontrolle des Gerätes muss den geltenden Gesetzen entsprechend überprüft werden, dass die Hoch- und Niederdruckschalter richtig an den Kältemittelkreislauf angeschlossen sind und beim Auslösen den Stromkreis ausschalten.
- Während der Wartungsphase muss man sich vergewissern, dass keine Spuren von Korrosion oder Ölflecken im Umkreis der Kältekomponenten vorhanden sind.
- Löten oder schweißen Sie das Rohr nicht, wenn sich Kältemittel in der Maschine befindet. Bitte laden Sie das Gas nicht auf engstem Raum auf.

Überprüfung des Bereichs

- Vor Beginn der Arbeiten an Anlagen, die brennbare Kältemittel enthalten, sind Sicherheitsüberprüfungen erforderlich, um sicherzustellen, dass die Gefahr von Funkenbildung gering ist.

Arbeitsverfahren

- Die Arbeiten müssen nach einem kontrollierten Verfahren durchgeführt werden, um die Gefahr der Freisetzung von brennbaren Gasen oder Dämpfen während der Arbeiten zu verringern.
- Vor jedem Eingriff am Kältemittelkreislauf muss das Gerät unbedingt abgestellt und ein paar Minuten gewartet werden, bevor Temperatur- oder Druckfühler angebracht werden, da manche Komponenten wie der Kompressor und die Rohrleitungen Temperaturen von über 100 °C und hohen Druck erreichen können, die möglicherweise zu schweren Verbrennungen führen.

Allgemeiner Arbeitsbereich

- Das gesamte Wartungspersonal und andere in der unmittelbaren Umgebung tätige Personen müssen über die durchgeführten Arbeiten auf dem Laufenden gehalten werden. Arbeiten in engen Räumen müssen vermieden werden.

Überprüfung des Vorhandenseins von Kältemittel

- Der Bereich muss vor und während der Arbeiten mit einem geeigneten Kältemitteldetektor überprüft werden, damit der Techniker auf das Vorhandensein einer potenziell toxischen oder brennbaren Atmosphäre aufmerksam gemacht wird. Sicherstellen, dass der verwendete Leckdetektor für den Einsatz bei allen betroffenen Kältemitteln geeignet ist, d. h. es kann keine Funken verursachen, ist ordnungsgemäß isoliert oder vollkommen sicher.

Vorhandensein eines Feuerlöschers

- Sollen Arbeiten an der Kälteanlage oder den zugehörigen Teilen bei einer bestimmten Temperatur durchgeführt werden, müssen geeignete Feuerlöscher leicht erreichbar sein. Einen Pulver- oder CO₂-Löscher in der Nähe des Arbeitsbereichs anbringen.

Keine Zündquelle

- Niemand, der an einer Kälteanlage arbeitet und die Rohrleitungen freilegen muss, darf eine Funkenquelle verwenden, von der eine Brand- oder Explosionsgefahr ausgehen könnte. Alle möglichen Funkenquellen, insbesondere Zigaretten, müssen ausreichend von der Installations-, Reparatur-,

Demontage- oder Entsorgungsstelle ferngehalten werden, wenn Kältemittel möglicherweise in die Umgebung freigesetzt werden kann. Vor Beginn der Arbeiten ist der Bereich um das Gerät herum auf Brand- und Funkengefahr zu untersuchen. Es müssen Schilder mit „Rauchverbot“ angebracht werden.

Belüftung des Bereichs

- Bevor das Gerät in irgendeiner Weise für Wartungsarbeiten benutzt wird, ist sicherzustellen, dass der Bereich offen und gut belüftet ist. Eine angemessene Belüftung, die eine sichere Dispersion des möglicherweise in die Atmosphäre freigesetzten Kältemittels ermöglicht, muss während der Wartung des Gerätes gewährleistet sein.

Überprüfung der Kälteanlage

- Die Pflege- und Wartungsempfehlungen des Herstellers sind immer zu beachten. Beim Austausch elektrischer Komponenten ist darauf zu achten, dass nur Komponenten desselben Typs und derselben Kategorie verwendet werden, die vom Hersteller empfohlen/genehmigt sind. Wenden Sie sich im Zweifelsfall an den technischen Kundendienst des Herstellers.
- Die folgenden Prüfungen sind auf Anlagen anzuwenden, die brennbare Kältemittel verwenden:
 - Markierungen auf dem Gerät müssen sichtbar und lesbar bleiben, unlesbare Markierungen oder Signale müssen korrigiert werden;
 - Kältemittelleitungen oder -komponenten werden an einer Position verlegt, an der es unwahrscheinlich ist, dass sie einer Substanz ausgesetzt sind, die kältemittelhaltige Komponenten angreifen könnte, es sei denn, die Komponenten bestehen aus normalerweise korrosionsbeständigen Materialien oder sind ordnungsgemäß gegen diese Korrosion geschützt.

Überprüfung der elektrischen Komponenten

- Die Reparatur und Wartung von elektrischen Komponenten muss erste Sicherheitsüberprüfungen und Komponenteninspektionsverfahren beinhalten. Wenn ein Fehler auftritt, der die Sicherheit beeinträchtigen könnte, darf keine Stromversorgung an den Stromkreis angeschlossen werden, bis der Fehler vollständig behoben ist. Muss die Arbeit fortgesetzt werden, obwohl der Fehler nicht sofort behoben werden kann, muss eine geeignete Übergangslösung gefunden werden. Dies ist dem Eigentümer des Geräts mitzuteilen, damit alle Beteiligten informiert werden.
- Die Reparatur und Wartung von elektrischen Komponenten muss die folgenden ersten Sicherheitsüberprüfungen beinhalten:
 - die Kondensatoren sind entladen: Dies muss unter sicheren Bedingungen geschehen, um Funkenbildung zu vermeiden;
 - während des Ladevorgangs, der Überholung oder Spülung des Systems liegen keine elektrischen Komponenten oder Stromversorgungen frei;
 - Die Erdungsverbinding muss ständig vorhanden sein.

Reparatur an isolierten Komponenten

- Bei Reparaturen an isolierten Komponenten müssen alle Stromversorgungen vom Gerät, an dem die Arbeiten durchgeführt werden, getrennt werden, bevor die Isolierabdeckung entfernt wird usw. Wenn das Gerät während der Wartung unbedingt mit Strom versorgt werden muss, muss ein Leckdetektor im Dauerbetrieb an der kritischsten Stelle angebracht werden, um jede potenziell gefährliche Situation zu melden.
- Um sicherzustellen, dass bei Arbeiten an elektrischen Komponenten das Gehäuse nicht so verändert wird, dass das Schutzniveau beeinträchtigt wird, sind die folgenden Punkte besonders zu beachten. Dazu gehören beschädigte Kabel, übermäßige Anzahl von Anschlüssen, Klemmen, die nicht den ursprünglichen Eigenschaften entsprechen, beschädigte Dichtungen, unsachgemäße Installation von Kabelverschraubungen usw.
- Sicherstellen, dass das Gerät richtig befestigt ist.
- Sicherstellen, dass die Dichtungen oder Isoliermaterialien nicht so weit beschädigt sind, dass sie nicht mehr verhindern, dass eine brennbare Atmosphäre in den Kreislauf gelangt. Die Ersatzteile müssen den Spezifikationen des Herstellers entsprechen.

Reparatur von eigensicheren Komponenten

- Keine dauerhafte Induktions- oder elektrische Kapazitätsbelastung an den Stromkreis anwenden, ohne sicherzustellen, dass sie die für das verwendete Gerät zulässige Spannung und den zulässigen Strom

nicht überschreitet.

- Eigensichere Komponenten sind die einzigen Typen, bei denen es möglich ist, unter Spannung in Gegenwart einer brennbaren Atmosphäre zu arbeiten. Das Testgerät muss zur entsprechenden Klasse gehören.
- Die Komponenten dürfen nur durch vom Hersteller angegebene Teile ersetzt werden. Andere Teile könnten das Kältemittel in der Atmosphäre aufgrund einer Leckage entzünden.

Verkabelung

- Sicherstellen, dass die Verkabelung frei von Verschleiß, Korrosion, Überdruck, Vibrationen, scharfen Kanten oder anderen schädlichen Umgebungseinflüssen ist. Bei der Steuerung müssen auch die Auswirkungen der Alterung oder der ständigen
- Vibrationen durch Quellen wie Kompressoren oder Ventilatoren berücksichtigt werden.

Erkennung von brennbaren Kältemitteln

- Unter keinen Umständen dürfen potenzielle Funkenquellen zur Suche nach Kältemittelleckagen oder zur Erkennung von Kältemittelleckagen verwendet werden. Eine Halogenlampe (oder ein anderer Detektor mit offener Flamme) darf nicht verwendet werden.
- Die folgenden Lecksuchmethoden gelten für alle Kälteanlagen als zulässig.
- Elektronische Leckdetektoren können zur Erkennung von Kältemittelleckagen verwendet werden, aber im Falle von brennbarem Kältemittel ist die Empfindlichkeit möglicherweise nicht ausreichend oder muss neu kalibriert werden. (Die Leckdetektoren müssen an einem Ort kalibriert werden, an dem kein Kältemittel vorhanden ist.) Sicherstellen, dass der Detektor keine potenzielle Zündquelle ist und für das verwendete Kältemittel geeignet ist. Die Leckdetektoren müssen auf einen Prozentsatz des LFL des Kältemittels eingestellt und in Abhängigkeit vom verwendeten Kältemittel kalibriert sein. Der geeignete Gasanteil (maximal 25 %) muss bestätigt werden.
- Lecksuchflüssigkeiten eignen sich auch für die meisten Kältemittel, aber die Verwendung von chlorhaltigen Reinigungsmitteln sollte vermieden werden, da sie mit dem Kältemittel reagieren und die Kupferleitungen angreifen können.
- Bei Verdacht auf eine Leckage müssen alle offenen Flammen entfernt/gelöscht werden.
- Wenn ein Kältemittelleck erkannt wird, das einen Löteingriff erfordert, muss das gesamte Kältemittel aus dem System entfernt oder (durch Absperrventile) in einem vom Leck entfernten Teil des Systems isoliert werden.

Entnahme und Evakuierung

- Beim Zugang zum Kältekreislauf für Reparaturen oder aus anderen Gründen müssen herkömmliche Verfahren angewendet werden. Bei brennbaren Kältemitteln ist es jedoch unerlässlich, die Empfehlungen zu befolgen, da die Entflammbarkeit berücksichtigt werden muss. Die folgende Vorgehensweise ist einzuhalten:
 - Kältemittel entfernen;
 - den Kreislauf mit einem Inertgas spülen (optional für A2L);
 - evakuieren (optional für A2L);
 - mit einem Inertgas spülen (optional für A2L);
 - den Kreislauf durch Schneiden oder Löten öffnen.
- Die Kältemittelfüllung muss in den entsprechenden Rückgewinnungsflaschen rückgewonnen werden. Bei Geräten, die andere brennbare Kältemittel als A2L enthalten, muss das System mit sauerstofffreiem Stickstoff gespült werden, damit das Gerät für die Aufnahme von brennbarem Kältemittel geeignet ist. Es kann notwendig sein, diesen Vorgang mehrmals zu wiederholen. Druckluft oder Sauerstoff darf nicht zum Spülen von Kälteanlagen verwendet werden.

Ladeverfahren

- Sicherstellen, dass sich der Ausgang der Vakuumpumpe nicht in der Nähe einer potenziellen Funkenquelle befindet und dass eine Belüftung verfügbar ist.
- Zusätzlich zu den herkömmlichen Ladeverfahren müssen die folgenden Anforderungen erfüllt sein.
- Sicherstellen, dass beim Einsatz von Füllgeräten keine Verunreinigungen zwischen verschiedenen Kältemitteln möglich sind. Schläuche oder Leitungen müssen so kurz wie möglich sein, um die Menge des darin enthaltenen Kältemittels zu reduzieren.

- Die Flaschen müssen gemäß den Anweisungen in einer geeigneten Position gehalten werden.
 - Sicherstellen, dass die Kälteanlage geerdet ist, bevor sie mit Kältemittel befüllt wird.
 - Das System nach dem Laden beschriften (falls nicht bereits geschehen).
 - Es ist besonders darauf zu achten, dass die Kälteanlage nicht überfüllt wird.
- Vor dem Wiederaufladen des Systems muss eine Druckprüfung mit dem entsprechenden Spülgas durchgeführt werden. Das System muss am Ende der Ladung, aber vor der Inbetriebnahme auf Dichtheit überprüft werden. Vor dem Verlassen des Standorts muss eine Folgedichtheitsprüfung durchgeführt werden.

Demontage

- Vor der Durchführung eines Demontagevorgangs ist es unbedingt erforderlich, dass sich der Techniker mit dem Gerät und seinen Eigenschaften vertraut gemacht hat. Es wird besonders empfohlen, alle Kältemittel sorgfältig rückzugewinnen. Vor der Durchführung dieser Aufgabe muss eine Öl- und Kältemittelprobe entnommen werden, wenn Analysen erforderlich sind, bevor das rückgewonnene Kältemittel wieder verwendet wird. Vor Beginn der Arbeit ist es unbedingt erforderlich, die Spannungsversorgung zu überprüfen.
1. Machen Sie sich mit dem Gerät und seiner Bedienung vertraut.
 2. Das System elektrisch isolieren.
 3. Vor Beginn des Verfahrens ist Folgendes sicherzustellen:
 - für die Handhabung der Kältemittelflaschen stehen bei Bedarf mechanische Handhabungsgeräte zur Verfügung;
 - alle persönlichen Schutzausrüstungen sind vorhanden und werden ordnungsgemäß verwendet;
 - der Rückgewinnungsprozess wird jederzeit von einer kompetenten Person überwacht;
 - die Rückgewinnungsgeräte und -flaschen entsprechen den einschlägigen Normen.
 4. Das Kühlsystem evakuieren, wenn möglich.
 5. Wenn kein Vakuum erzeugt werden kann, einen Verteiler installieren, damit das Kältemittel an verschiedenen Stellen des Systems entfernt werden kann.
 6. Sicherstellen, dass die Flasche auf den Waagen steht, bevor mit den Rückgewinnungsvorgängen begonnen wird.
 7. Die Rückgewinnungsmaschine starten und gemäß den Anweisungen bedienen.
 8. Die Flaschen nicht überfüllen (nicht mehr als 80 % des Volumens der Flüssigkeitsladung).
 9. Den maximalen Betriebsdruck der Flasche auch vorübergehend nicht überschreiten.
 10. Wenn die Flaschen ordnungsgemäß befüllt sind und der Prozess abgeschlossen ist, sicherstellen, dass die Flaschen und Geräte schnell vom Standort entfernt werden und dass die alternativen Sperrventile an der Anlage geschlossen sind.
 11. Das rückgewonnene Kältemittel darf nicht in eine andere Kälteanlage eingefüllt werden, es sei denn, es wurde gereinigt und kontrolliert.

FEHLERBEHEBUNG

- Jeder Lötgriff muss von Fachleuten vorgenommen werden.
- Der Austausch der Rohrleitungen darf nur mit Kupferrohr durchgeführt werden, das der Norm NF EN12735-1 entspricht.
- Auffinden von Undichtigkeiten, Testfall unter Druck:
 - nie Sauerstoff oder trockene Luft verwenden, Brand- oder Explosionsgefahr,
 - dehydratisierten Stickstoff oder eine Mischung aus Stickstoff und auf dem Typenschild angegebenem Kühlmittel verwenden,
 - der Druck der Nieder- und Hochdruckprüfung darf nicht 42 bar überschreiten, wenn das Gerät mit dem optionalen Manometer ausgestattet ist.
- Für die Rohrleitungen des Hochdruckkreislaufs, die mit einem Kupferrohr mit dem Durchmesser von \geq oder $> 1\frac{5}{8}$ ausgeführt sind, muss gemäß § 2.1 der Norm NF EN 10204 vom Lieferanten eine Bescheinigung angefordert und in den technischen Unterlagen der Installation aufbewahrt werden.
- Die technischen Informationen über die Sicherheitsanforderungen der einzelnen anwendbaren Richtlinien sind auf dem Typenschild angegeben. Alle diese Angaben müssen in der Installationsanleitung des Gerätes registriert sein, die sich in den technischen Unterlagen der Maschine befinden muss: Modell,

Code, Seriennummer, max. und min. TS, PS, Herstellungsjahr, CE-Kennzeichnung, Anschrift des Herstellers, Kältemittel und Gewicht, elektrische Parameter, thermodynamische und akustische Leistungen.

ETIKETTIERUNG

- Das Gerät ist mit einem Etikett zu versehen, aus dem hervorgeht, dass es außer Betrieb genommen und das Kältemittel abgelassen wurde.
- Das Etikett muss datiert und unterschrieben sein.
- Bei Geräten, die ein brennbares Kältemittel enthalten, ist darauf zu achten, dass auf den Geräten Etiketten angebracht sind, die darauf hinweisen, dass sie ein brennbares Kältemittel enthalten.

RÜCKGEWINNUNG




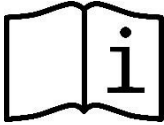
- Beim Ablassen des Kältemittels, bei der Wartung oder Außerbetriebnahme wird empfohlen, gute Praktiken zum sicheren Ablassen des gesamten Kältemittels zu befolgen.
- Beim Umfüllen von Kältemittel in eine Flasche ist darauf zu achten, dass eine für das Kältemittel geeignete Rückgewinnungsflasche verwendet wird. Sicherstellen, dass die richtige Anzahl von Flaschen vorhanden ist, um die gesamte Flüssigkeit zurückzugewinnen. Alle zu verwendenden Flaschen müssen für die Kältemittelrückgewinnung ausgelegt sein und Etiketten für das jeweilige Kältemittel aufweisen. Die Flaschen müssen mit einem Vakuumventil und Absperrventilen in einwandfreiem Zustand ausgestattet sein. Leere Rückgewinnungsflaschen werden evakuiert und, wenn möglich, vor der Rückgewinnung gekühlt.
- Das Rückgewinnungsgerät muss in einwandfreiem Zustand sein, die Bedienungsanleitung des Gerätes muss leicht zugänglich sein und das Gerät muss für das betreffende Kältemittel, gegebenenfalls auch für das brennbare Kältemittel, geeignet sein. Darüber hinaus muss ein Satz kalibrierter Waagen verfügbar und in einwandfreiem Zustand sein. Die Leitungen müssen vollständig, leckagefrei, frei von losen Verbindungen und in gutem Zustand sein. Bevor das Rückgewinnungsgerät verwendet wird, muss sichergestellt werden, dass es in einwandfreiem Zustand ist, dass es ordnungsgemäß gewartet wurde und dass die zugehörigen elektrischen Komponenten versiegelt sind, um zu verhindern, dass bei Freisetzung von Kältemittel ein Brand entsteht. Wenden Sie sich im Zweifelsfall an den Hersteller.
- Das rückgewonnene Kältemittel muss in der Rückgewinnungsflasche mit einem Abfalltransportschein an den Kältemittellieferanten zurückgesandt werden. Es dürfen keine unterschiedlichen Kältemittel in den Rückgewinnungseinheiten, insbesondere in den Flaschen, vermischt werden.
- Wenn der Kompressor entfernt oder das Kompressoröl abgelassen wird, ist sicherzustellen, dass das Kältemittel abgelassen wurde, um zu verhindern, dass es sich mit dem Schmiermittel vermischt. Der Entleerungsvorgang muss durchgeführt werden, bevor der Kompressor an den Lieferanten zurückgesandt wird. Zur Beschleunigung dieses Vorgangs darf nur die elektrische Heizung des Kompressorgehäuses verwendet werden. Wenn alle Flüssigkeiten in einem System abgelassen werden, muss dieser Vorgang unter sicheren Bedingungen durchgeführt werden.



RECYCLING

Dieses von der europäischen WEEE-Richtlinie 2012/19/EU (Richtlinie über Elektro- und Elektronik-Altgeräte) vorgeschriebene Symbol bedeutet, dass Sie Ihr Gerät nicht mit dem Haushaltsmüll entsorgen dürfen. Es muss getrennt gesammelt werden, damit es wiederverwendet, recycelt oder verwertet werden kann. Wenn es potenziell umweltgefährdende Stoffe enthält, müssen diese entsorgt oder neutralisiert werden. Ihr Händler kann Sie über die Recyclingbedingungen informieren.

 **AVVERTENZE**

	Questo simbolo indica che sono disponibili ulteriori informazioni nel Manuale d'uso nel Manuale d'installazione.		Questo simbolo indica che l'apparecchio usa R32, un refrigerante a bassa velocità di combustione.
	Questo simbolo indica che il Manuale d'uso deve essere letto con attenzione.		Questo simbolo indica che un tecnico addetto alla manutenzione deve intervenire sull'apparecchio nel rispetto del Manuale d'installazione.

AVVERTENZE GENERALI

- Il mancato rispetto delle avvertenze potrebbe causare danni all'attrezzatura della piscina o comportare ferite gravi, se non addirittura il decesso.
- Solo personale qualificato nei settori tecnici interessati (elettrico, idraulico o della refrigerazione) è abilitato ad eseguire lavori di manutenzione o di riparazione dell'apparecchio. Il tecnico qualificato che interviene sull'apparecchio deve utilizzare/indossare un dispositivo di protezione individuale (quali occhiali di sicurezza, guanti di protezione, ecc.) per ridurre il rischio di lesioni che potrebbero verificarsi durante l'intervento sull'apparecchio.
- Prima di qualsiasi intervento sull'apparecchio, accertarsi che non sia collegato alla rete elettrica e fuori servizio.
- Questo apparecchio non è destinato a essere utilizzato da persone (bambini inclusi, dagli 8 anni in su) prive di esperienza o con deficit fisici, sensoriali o mentali eccetto se sotto sorveglianza oppure dopo che le stesse abbiano ricevuto istruzioni relative all'uso dell'apparecchio da una persona responsabile della loro sicurezza; e se comprendono i pericoli che comporta.
- Sorvegliare i bambini per assicurarsi che non giochino con l'apparecchio.
- L'installazione dell'apparecchio deve essere eseguita conformemente alle istruzioni del produttore e nel rispetto delle normative locali e nazionali in vigore. L'installatore è responsabile dell'installazione dell'apparecchio e del rispetto delle normative nazionali vigenti in materia di installazione. In alcun caso il fabbricante potrà essere ritenuto responsabile in caso di mancato rispetto delle norme d'installazione locali vigenti.
- Per operazioni di manutenzione diverse da quelle semplici descritte nel presente manuale che possono essere realizzate dall'utilizzatore, è necessario rivolgersi a un tecnico specializzato.
- Un'installazione /o un utilizzo errati possono comportare danni materiali o corporali gravi (che possono causare il decesso).
- In caso di malfunzionamento dell'apparecchio: non cercare di riparare l'apparecchio da soli e contattare un tecnico qualificato.
- La disattivazione, l'eliminazione o l'aggiramento di uno degli elementi di sicurezza dell'apparecchio annulla automaticamente la garanzia al pari dell'utilizzo di pezzi di ricambio di un terzo non autorizzato.
- Non spruzzare insetticida o altro prodotto chimico (infiammabile o non infiammabile) in direzione dell'apparecchio, potrebbe deteriorare la scocca e causare un incendio.
- Non toccare il ventilatore né i componenti mobili e non inserire oggetti né le dita vicino ai componenti mobili quando l'apparecchio è in funzione. I componenti mobili possono provocare lesioni gravi che possono anche portare al decesso.

AVVERTENZE LEGATE AGLI APPARECCHI ELETTRICI

- L'alimentazione elettrica dell'apparecchio deve essere protetta da un dispositivo di protezione a corrente differenziale residua (DDR) di 30 mA dedicato, conformemente alle norme vigenti nel paese di installazione.
- Non utilizzare una prolunga per collegare l'apparecchio; collegarlo direttamente a un circuito di alimentazione adatto.
- Prima di qualunque operazione verificare che:
 - La tensione indicata sulla targhetta segnaletica dell'apparecchio corrisponde a quella della rete elettrica,
 - La rete elettrica sia adatta all'uso dell'apparecchio e disponga di una presa di terra,
 - La scheda di alimentazione (se presente) si adatta alla presa di corrente.
 - Non scollegare e ricollegare l'apparecchio quando è in funzione.
 - Non tirare il cavo di alimentazione per scollegarlo.
 - Se il cavo di alimentazione è danneggiato, va tassativamente sostituito dal produttore, da un tecnico incaricato della manutenzione o da un soggetto qualificato, per garantire la sicurezza.
 - Non effettuare operazioni di manutenzione dell'apparecchio con le mani bagnate o se l'apparecchio è bagnato.
 - Prima di collegare l'apparecchio alla fonte di alimentazione, controllare che il blocco di raccordo o la presa di alimentazione alla quale sarà collegato l'apparecchio siano in buono stato e non siano danneggiati o arrugginiti.
 - In caso di tempo burrascoso, scollegare l'apparecchio di alimentazione per evitare che sia danneggiato da un fulmine.
 - Non immergere l'apparecchio in acqua o nel fango ; tenere l'interruttore di circuito lontano dall'acqua

AVVERTENZE RIGUARDANTI GLI APPARECCHI CONTENENTI REFRIGERANTE R32

- Il refrigerante R32 è un refrigerante di categoria A2L, considerato potenzialmente infiammabile.
- Non disperdere il fluido R32 nell'atmosfera. Questo fluido è un gas fluorurato ad effetto serra, coperto dal protocollo di Kyoto, con un potenziale di riscaldamento globale (GWP) = 675 (normativa europea UE 517/2014).
- L'apparecchio deve essere conservato in un luogo ben areato lontano da fiamme.
- Installare l'unità all'esterno. Non installare l'unità all'interno o in uno spazio chiuso e non areato all'esterno.
- Non utilizzare mezzi di accelerazione del processo di sbrinamento o di pulizia diversi da quelli raccomandati dal produttore.
- L'apparecchio deve essere conservato in un locale privo di fonti di scintilla costantemente in funzione (ad esempio: fiamme all'aperto, apparecchio a gas in funzione o riscaldamento elettrico in funzione).
- Non forare, né incenerire.
- Il refrigerante R32 può emanare un certo odore.
- Nel rispetto delle norme e dei regolamenti pertinenti in materia ambientale e relativi all'installazione, nello specifico il decreto N° 2015-1790 e/o la regolamentazione europea UE 517/2014, deve essere effettuata una ricerca della presenza di perdite sul circuito di raffreddamento almeno una volta l'anno. Questa operazione deve essere effettuata da un tecnico certificato degli apparecchi di raffreddamento.
- Tenere la scheda video in un'area asciutta per proteggerla da eventuali danni causati dall'umidità.

MANUTENZIONE: AVVERTENZE RIGUARDANTI GLI APPARECCHI CONTENENTI REFRIGERANTE R32

- Durante le fasi d'installazione, di riparazione, di manutenzione, è vietato utilizzare i tubi come poggiatesta: sotto la sollecitazione, i tubi potrebbero rompersi e il refrigerante potrebbe provocare gravi ustioni.

- Durante la fase di manutenzione dell'apparecchio, saranno controllati la composizione e lo stato del fluido termovettore e anche l'assenza di tracce di refrigerante.
- Durante il controllo annuale della tenuta stagna dell'apparecchio, in conformità alle leggi vigenti, verificare che i pressostati alta e bassa pressione siano collegati correttamente al circuito refrigerante e che interrompano il circuito elettrico in caso di scatto.
- Durante la fase di manutenzione assicurarsi che non ci siano tracce di corrosione o di macchie d'olio intorno ai componenti frigoriferi.
- Non brasare o saldare il tubo se c'è del refrigerante all'interno della macchina. Si prega di non caricare il gas in uno spazio ristretto.

Verifica della zona

- Prima di iniziare a lavorare su sistemi che contengono fluidi frigoriferi infiammabili, è necessario effettuare dei controlli di sicurezza per garantire la riduzione del rischio di scintille.

Procedura di lavoro

- I lavori devono essere effettuati secondo una procedura controllata per evitare il pericolo di liberazione di gas o vapore infiammabile durante le operazioni.

Zona generale di lavoro

- Il personale addetto alla manutenzione e le altre persone che lavorano nell'area vicina devono essere messi al corrente dei lavori effettuati. Devono essere evitati i lavori in spazi confinati.
- Prima di ogni intervento sul circuito refrigerante, è imperativo arrestare l'apparecchio ed aspettare qualche minuto prima di installare i sensori di temperatura o di pressione, alcuni apparecchi come il compressore e i tubi possono raggiungere temperature superiori a 100°C e pressioni elevate che possono provocare gravi ustioni.

Verifica della presenza di refrigerante

- La zona deve essere sottoposta a verifica utilizzando un rilevatore di refrigerante appropriato prima e durante i lavori, così che il tecnico sia avvertito della presenza di un'atmosfera potenzialmente tossica o infiammabile. Accertarsi che l'apparecchio di rilevazione delle perdite utilizzato sia adatto a essere utilizzato per tutti i refrigeranti interessati, cioè non possa provocare scintille, sia correttamente isolato o perfettamente sicuro.

Presenza di un estintore

- Se devono essere effettuati lavori che comportano una certa temperatura sull'apparecchio frigorifero o su qualsiasi componente associato, un dispositivo antincendio deve trovarsi a portata di mano. Posizionare un estintore a polvere o a CO2 vicino alla zona di lavoro.

Assenza di sorgente d'ignizione

- Nessun soggetto che effettua lavori su un sistema frigorifero che comportano l'esposizione della tubatura deve utilizzare qualsiasi sorgente di scintille che potrebbe provocare un incendio o un'esplosione. Tutte le possibili sorgenti di scintille, in particolare le sigarette, devono essere tenute a sufficiente distanza dal sito d'installazione, di riparazione, di rimozione o di eliminazione quando il refrigerante può potenzialmente essere liberato nello spazio circostante. Prima di procedere con i lavori, è necessario esaminare la zona intorno all'apparecchio per accertarsi dell'assenza di pericoli di incendio o di scintille. Devono essere esposti dei cartelli "Vietato fumare".

Ventilazione della zona

- Prima di accedere in qualunque modo all'unità per effettuare qualsiasi tipo di manutenzione, accertarsi che la zona sia aperta e ben areata. Durante la manutenzione dell'unità deve essere mantenuta un'areazione adeguata, che permette la dispersione in sicurezza del refrigerante che potrebbe essere liberato nell'atmosfera.

Verifica dell'apparecchio di refrigerazione

- Vanno sempre rispettate le raccomandazioni del produttore relative alla manutenzione. Durante la sostituzione di componenti elettrici, accertarsi di utilizzare solo componenti dello stesso tipo e della stessa categoria, raccomandati/approvati dal produttore. In caso di dubbio, consultare il servizio di

assistenza tecnica del produttore per chiedere aiuto.

- Devono essere effettuate le seguenti verifiche sugli impianti che utilizzano refrigeranti infiammabili:
- le marcature presenti sull'apparecchio devono rimanere visibili e leggibili, eventuali marcature o simboli illeggibili devono essere corretti;
- le tubature o i componenti refrigeranti sono installati in una posizione nella quale è poco probabile che siano esposti a sostanze in grado di corrodere componenti contenenti refrigerante, sempre se i componenti sono fabbricati con materiali normalmente resistenti alla corrosione o correttamente protetti contro una corrosione di questo tipo.

Verifica dei componenti elettrici

- La riparazione e la manutenzione dei componenti elettrici devono comportare controlli di sicurezza iniziali e procedure di ispezione dei componenti. Se si verifica un malfunzionamento che può compromettere la sicurezza, il circuito non deve essere in alcun modo collegato all'alimentazione elettrica fino a che il problema non sia stato completamente risolto. Se il malfunzionamento non può essere corretto subito, ma i lavori devono proseguire, deve essere trovata una soluzione temporanea adeguata. Il problema va segnalato al proprietario dell'apparecchio così che tutte le persone coinvolte siano avvertite.
- La riparazione e la manutenzione dei componenti elettrici devono comportare i seguenti controlli di sicurezza iniziali:
- i condensatori sono scarichi: questa operazione va effettuata in sicurezza per evitare la possibilità di scintille;
- nessun componente elettrico, né alcun cablaggio alimentato è esposto durante la carica, il ripristino o lo spurgo del sistema;
- il collegamento alla terra deve essere sempre presente.

Riparazione su componenti isolati

- In caso di riparazioni su componenti isolati, scollegare l'alimentazione elettrica dell'apparecchio sul quale vengono effettuati i lavori prima di togliere il coperchio d'isolamento, ecc. Se l'alimentazione elettrica dell'apparecchio è assolutamente necessaria durante la manutenzione, è necessario posizionare un rivelatore di perdite che funziona di continuo nel punto più critico per segnalare situazioni potenzialmente pericolose.
- Prestare particolare attenzione ai punti seguenti per essere certi che, durante l'intervento sui componenti elettrici, il quadro elettrico non sia alterato al punto di compromettere il livello di protezione. Ciò deve includere i cavi danneggiati, un numero eccessivo di collegamenti, morsetti non conformi alle caratteristiche originarie, guarnizioni danneggiate, installazione errata dei premistoppa, ecc.
- Assicurarsi che l'apparecchio sia fissato correttamente.
- Accertarsi che le guarnizioni o i materiali isolanti non siano danneggiati al punto da non impedire più a un'atmosfera infiammabile di penetrare nel circuito. I pezzi di ricambio devono essere conformi alle specifiche del produttore.

Riparazione dei componenti intrinsecamente sicuri

- Non applicare cariche d'induzione o capacità elettrica permanente al circuito senza accertarsi che quest'ultima non superi la tensione e l'intensità autorizzate per l'apparecchio che si sta utilizzando.
- Normalmente, i componenti sicuri sono gli unici tipi sui quali è possibile lavorare in presenza di un'atmosfera infiammabile quando sono alimentati. L'apparecchio di test deve essere della classe appropriata.
- Sostituire i componenti solo con i pezzi indicati dal produttore. Altri pezzi potrebbero infiammare il refrigerante nell'atmosfera in caso di perdita.

Cablaggio

- Controllare che il cablaggio non presenti usura, corrosione, pressione eccessiva, vibrazione, margine tagliente o altri effetti ambientali negativi. Il controllo deve considerare anche gli effetti dell'invecchiamento o delle vibrazioni continue causate da sorgenti quali compressori o ventilatori.

Rilevamento di fluido refrigerante infiammabile

- Per la ricerca o il rilevamento di perdite di refrigerante non devono essere mai utilizzate sorgenti

potenziali di scintille. Non deve essere utilizzata una lampada aloide (o altri rilevatori che utilizzano una fiamma nuda).

- I seguenti metodi di rilevamento di perdite sono considerati accettabili per tutti i sistemi refrigeranti.
- Per rilevare perdite di refrigerante è possibile utilizzare i rilevatori di perdita elettronici ma, in caso di refrigerante infiammabile, è possibile che la sensibilità non sia adatta o richieda una nuova calibrazione. (Il dispositivo di rilevamento deve essere calibrato in un luogo privo di refrigerante). Accertarsi che il rilevatore non sia una sorgente potenziale di scintilla e sia adatto al refrigerante utilizzato. Il dispositivo di rilevamento delle perdite deve essere regolato a una percentuale di LFL del refrigerante e calibrato in funzione del refrigerante utilizzato. Deve essere confermata la percentuale di gas appropriata (25% al massimo).
- I fluidi di rilevamento di perdite sono egualmente adatti a essere utilizzati sulla maggior parte dei refrigeranti, ma deve essere evitato l'uso di detergenti contenenti cloro perché potrebbe reagire con il refrigerante e corrodere la tubatura in rame.
- Se si sospetta una perdita, devono essere eliminate/spente eventuali fiamme nude.
- Se si rileva una perdita di refrigerante che richiede una brasatura, tutto il refrigerante va tolto dal sistema o isolato (tramite valvole di chiusura) in una parte del sistema lontano dalla perdita.

Rimozione e evacuazione

- Quando si accede al circuito refrigerante per effettuare delle riparazioni o per altri motivi, devono essere utilizzate delle procedure convenzionali. Tuttavia, nel caso di refrigeranti infiammabili, è essenziale seguire le raccomandazioni perché va tenuto conto dell'infiammabilità. Deve essere rispettata la seguente procedura:
 - rimuovere il refrigerante;
 - spurgare il circuito con un gas inerte (facoltativo per l'A2L);
 - evacuare (facoltativo per l'A2L);
 - spurgare con un gas inerte (facoltativo per l'A2L);
 - aprire il circuito mediante taglio o brasatura.
- Il refrigerante deve essere recuperato in bombole appropriate. Per gli apparecchi che contengono refrigeranti infiammabili diversi dai refrigeranti A2L, il sistema deve essere spurgato con azoto privo di ossigeno per rendere l'apparecchio in grado di ricevere refrigeranti infiammabili. Può essere necessario ripetere il procedimento più volte. Non devono essere utilizzati aria compressa o ossigeno per spurgare i sistemi refrigeranti.

Procedure di carica

- Accertarsi che l'uscita della pompa a vuoto non si trovi vicino a potenziali sorgenti di scintille e che sia disponibile un sistema di aerazione.
- Oltre alle procedure di carica convenzionali, devono essere rispettati i seguenti punti.
- Accertarsi che non si verifichi una contaminazione tra i differenti refrigeranti quando si utilizza un dispositivo di carica. I flessibili o le linee devono essere il più corti possibili per ridurre la quantità di refrigeranti che contengono.
- Le bombole devono essere mantenuti in posizione appropriata, conforme alle istruzioni.
- Accertarsi che il sistema refrigerante sia collegato alla terra prima di caricare il sistema con il refrigerante.
- Etichettare il sistema dopo aver completato la carica (se già non lo è).
- Prestare particolare attenzione a non riempire eccessivamente il sistema refrigerante.
- Prima di ricaricare il sistema, va effettuato un test di pressione con un gas di spurgo appropriato. Al termine della carica, ma prima della messa in servizio, il sistema va ispezionato per accertarsi dell'assenza di perdite. Prima di lasciare il luogo deve essere effettuato un test di rilevamento delle perdite.

Smantellamento

- Prima di effettuare una procedura di smantellamento, è indispensabile che il tecnico abbia familiarità con l'apparecchio e le sue caratteristiche. Si raccomanda in particolare di recuperare tutti i refrigeranti. Prima di effettuare questa operazione, deve essere recuperato un campione di olio di refrigerante se è necessario effettuare delle analisi prima di riutilizzare il refrigerante recuperato. È

indispensabile verificare la presenza dell'alimentazione elettrica prima di iniziare l'intervento.

1. Familiarizzare con l'apparecchio e la sua modalità di funzionamento.
2. Isolare elettricamente il sistema.
3. Prima di iniziare la procedura, accertarsi dei seguenti punti:
 - se necessario, è disponibile un dispositivo di manutenzione meccanico per manipolare le bombole di refrigerante;
 - tutti i dispositivi di protezione individuale sono disponibili e utilizzati in modo corretto;
 - il processo di recupero è controllato in tutte le fasi da una persona competente;
4. L'attrezzatura e le bombole di recupero sono conformi alle norme applicabili.
5. Evacuare il sistema refrigerante, se possibile.
6. Se non viene creato un vuoto, utilizzare un collettore per recuperare il refrigerante da diversi punti del sistema.
7. Accertarsi che la bombola si trovi sulle bilance prima di iniziare le operazioni di recupero.
8. Avviare il dispositivo di recupero e farla funzionare secondo le istruzioni.
9. Non riempire troppo le bombole (non oltre l'80% del volume di carico liquido).
10. Non oltrepassare la pressione massima di funzionamento della bombola, neanche temporaneamente.
11. Quando le bombole sono riempite correttamente e il processo è terminato, accertarsi che le bombole e l'attrezzatura siano rapidamente portate via dal luogo e che le valvole d'isolamento alternative dell'apparecchio siano chiuse.
12. Il refrigerante recuperato non deve essere caricato in un altro sistema refrigerante, a meno che non sia stato pulito e controllato.

RIPARAZIONE

- Ogni intervento di brasatura dovrà essere realizzato da un professionista qualificato.
- La sostituzione delle tubature sarà effettuata solo con tubo di rame in conformità alla norma NF EN 12735-1.
- Rilevazione di perdite, in caso di test sotto pressione:
 - non utilizzare mai ossigeno o aria secca: rischio d'incendio o di esplosione,
 - utilizzare l'azoto disidratato o una miscela di azoto e di refrigerante indicato sulla targhetta segnaletica,
 - la pressione del test lato bassa e alta pressione non deve superare i 42 bar nel caso in cui l'apparecchio sia dotato dell'opzione manometro.
- Per le tubature del circuito alta pressione realizzate con tubo di rame di un diametro $\phi > 1''5/8$, dovrà essere richiesto al fornitore un certificato §2.1 conforme alla norma NF EN 10204 da conservare nel fascicolo tecnico dell'impianto.
- Le informazioni tecniche relative ai requisiti di sicurezza delle diverse direttive applicate sono indicate sulla targhetta segnaletica. Tutte queste informazioni devono essere registrate sul manuale d'installazione dell'apparecchio che deve essere allegato al fascicolo tecnico dell'impianto: modello, codice, numero di serie, TS massimo e minimo, PS, anno di produzione, marchio CE, indirizzo del produttore, refrigerante e peso, parametri elettrici, rendimento termodinamico e acustico.

ETICHETTATURA

- L'apparecchio deve essere etichettato indicando che è stato messo fuori servizio e che il refrigerante è stato rimosso.
- L'etichetta deve essere datata e firmata.
- Per gli apparecchi che contengono refrigerante infiammabile, controllare che le etichette siano apposte sull'apparecchio e rechino l'indicazione che contiene refrigerante infiammabile.

RECUPERO

- Al momento dello svuotamento del refrigerante, per la manutenzione o la messa fuori servizio, si raccomanda di seguire le buone pratiche per eliminare tutto il refrigerante in sicurezza.
- Quando il refrigerante viene trasferito in una bombola, utilizzare una bombola di recupero adatta al refrigerante. Munirsi di un numero di bombole sufficiente a recuperare tutto il fluido. Tutte le bombole devono essere state progettate per il recupero del refrigerante e etichettate per questo

fluido frigorifero e etichettate per questo refrigerante specifico. Le bombole devono essere dotate di una valvola di depressione e di valvole di arresto in buono stato. Le bombole di recupero vuote sono evacuate e, se possibile, raffreddate prima del recupero.

- Il dispositivo di recupero deve funzionare correttamente, le istruzioni per l'uso del dispositivo devono essere a portata di mano e il dispositivo deve essere adatto al refrigerante in questione, compreso, eventualmente, il refrigerante infiammabile. Inoltre, devono essere disponibili delle bilance calibrate e perfettamente funzionanti. I tubi devono essere completi, non presentare perdite né collegamenti scollegati e devono essere in buono stato. Prima di utilizzare il dispositivo di recupero, controllare che funzioni perfettamente, che si stato sottoposto a manutenzione e che i componenti elettrici siano a tenuta per evitare un inizio di incendio in caso di liberazione del refrigerante. In caso di dubbi, rivolgersi al produttore.
- Il refrigerante recuperato deve essere inviato al fornitore di refrigerante nella bombola di recupero, con una bolla di trasporto rifiuti. Non mescolare differenti fluidi refrigeranti nelle unità di recupero e in particolare nelle bombole.
- Se il compressore è deposto e l'olio del compressore svuotato, controllare la corretta evacuazione del refrigerante per evitare che si mescoli al lubrificante. Il processo di svuotamento deve essere realizzato prima di inviare il compressore al fornitore. Solo la superficie scaldante del corpo del compressore può essere utilizzata per accelerare questo processo. Quando tutti i liquidi di un sistema sono spurgati, questa operazione deve essere realizzata in sicurezza.




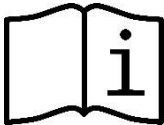


Riciclaggio

Questo simbolo richiesto dalla direttiva europea DEEE 2012/19/UE (direttiva relativa ai rifiuti di apparecchi elettrici e elettronici) indica che l'apparecchio non può essere smaltito come rifiuto ordinario. Sarà destinato alla raccolta differenziata in vista del suo riutilizzo, riciclaggio o valorizzazione. Se contiene sostanze potenzialmente dannose per l'ambiente, saranno eliminate o neutralizzate. Informarsi presso il proprio rivenditore sulle modalità di riciclaggio.



AVISOS

	Este símbolo mostra que informações como o Manual de Operações ou Manual de Instalação estão disponíveis.		Este símbolo indica que este aparelho utiliza R32, um refrigerante de baixa velocidade de combustão.
	Este símbolo indica que o Manual de Utilização deve ser lido com atenção.		Este símbolo indica que um técnico de manutenção deve manusear este equipamento de acordo com o Manual de Instalação.

AVISOS GERAIS

- O não cumprimento dos avisos pode causar danos ao equipamento da piscina, ferimentos graves, ou mesmo a morte.
- Apenas um profissional qualificado nos domínios técnicos correspondentes (eletricidade, hidráulica ou refrigeração), está habilitado a executar a manutenção ou a reparação do aparelho. O técnico qualificado que intervém no aparelho deve utilizar/usar um equipamento de proteção individual (tais como óculos de segurança, luvas de proteção, etc...) para reduzir todo o risco de ferimento que pode ocorrer aquando da intervenção no aparelho.
- Antes de qualquer intervenção no aparelho, certifique-se de se encontra fora de tensão e isolado.
- Este aparelho não está previsto ser utilizado por pessoas (incluindo crianças, de 8 anos ou mais) inexperientes ou cujas capacidades físicas, sensoriais ou mentais sejam reduzidas, salvo: se for utilizado sob vigilância ou com instruções de utilização dadas por uma pessoa responsável pela sua segurança; e se elas compreenderem os riscos incorridos. As crianças devem ser vigiadas para assegurar-se de que não brinquem com o aparelho.
- A instalação do aparelho deve ser realizada em conformidade com as instruções do fabricante e no respeito das normas locais e nacionais em vigor. O instalador é responsável pela instalação do aparelho e pelo cumprimento das regulamentações nacionais em matéria de instalação. Em caso algum o fabricante poderá ser considerado responsável no caso do não cumprimento das normas de instalação locais em vigor.
- Para qualquer outra ação diferente da simples conservação pelo utilizador descrita neste manual, o produto deve ser conservado por um profissional qualificado.
- Toda a instalação e/ou utilização incorreta pode provocar prejuízos materiais ou corporais graves (podendo causar a morte).
- No caso de um mau funcionamento do aparelho: não tentar reparar por si mesmo o aparelho, e contactar um técnico qualificado.
- Toda a desativação, eliminação ou contorno de um dos elementos de segurança integrados ao aparelho anula automaticamente a garantia, assim como a utilização de peças de substituição provenientes de um fabricante terceiro não autorizado.
- Não vaporizar inseticida nem outro produto químico (inflamável ou não) sobre o aparelho, porque esses produtos podem deteriorar a carroçaria e provocar um incêndio.
- Não tocar no ventilador nem nas peças móveis e não inserir objetos ou os seus dedos na proximidade das peças móveis quando o aparelho estiver em funcionamento. As peças móveis podem causar ferimentos graves ou mesmo a morte.

AVISOS LIGADOS A APARELHOS ELÉTRICOS

- A alimentação elétrica do aparelho deve ser protegida por um dispositivo de proteção de corrente

diferencial residual (DDR) de 30 mA dedicado, em conformidade com as normas em vigor do país de instalação.

- Não utilizar uma extensão para ligar o aparelho; ligá-lo diretamente a um circuito de alimentação adaptado.
- Antes de qualquer operação, verificar que:
 - A tensão indicada na placa sinalética do aparelho corresponde efetivamente à da rede,
 - A rede de alimentação é adequada à utilização do aparelho e dispõe de uma ligação à terra,
 - A ficha de alimentação (se aplicável) adapta-se à tomada de corrente.
- Não desligar e ligar o aparelho durante o seu funcionamento.
- Não puxar o cabo de alimentação para o desligar.
- Se o cabo de alimentação estiver deteriorado, deverá imperativamente ser substituído pelo fabricante, o seu agente de manutenção ou uma outra pessoa qualificada, para garantir a segurança.
- Não realizar a conservação ou a manutenção do aparelho com as mãos molhadas ou se o aparelho estiver molhado.
- Antes de conectar o aparelho à fonte de alimentação, certificar-se de que o bloco de terminais ou a tomada ao qual o aparelho será conectado está em bom estado e não está deteriorado nem enferrujado.
- Em caso de tempestade, desligar o aparelho para evitar que seja deteriorado pelos raios.
- Não imergir o aparelho em água nem em lama; mantenha o disjuntor longe da água.

ADVERTÊNCIAS LIGADAS AOS APARELHOS QUE CONTÉM REFRIGERANTE R32

- O refrigerante R32 é um refrigerante de categoria A2L, que é considerado como potencialmente inflamável.
- Não descarregar o fluido R32 na atmosfera. Este fluido é um gás fluorado com efeito de estufa, coberto pelo protocolo de Quioto, com um Potencial de aquecimento global (GWP) = 675 (regulamentação europeia UE 517/2014).
- O aparelho deve ser armazenado num local bem ventilado afastado de qualquer fonte de chama.
- Instalar a unidade no exterior. Não instalar a unidade no interior ou num local fechado e não ventilado no exterior.
- Não utilizar meios de aceleração do processo de degelo ou de limpeza que não sejam os recomendados pelo fabricante.
- O aparelho deve ser armazenado num local sem fonte de faíscas em funcionamento permanente (por exemplo: chamas ao ar livre, aparelho a gás em funcionamento ou aquecimento elétrico em funcionamento).
- Não o perfurar, nem incinerar.
- O refrigerante R32 pode emitir um certo odor.
- A fim de cumprir as normas e regulamentos aplicáveis em termos de ambiente e instalação, em particular o decreto francês n.º 2015-1790 e / ou o regulamento europeu UE 517/2014, um teste de vazamento deve ser realizado no circuito de refrigeração pelo menos uma vez por ano. Esta operação deve ser realizada por um especialista certificado para testar aparelhos de refrigeração.
- Por favor, mantenha o controlador de tela em uma área seca para protegê-lo de ser danificado pela umidade.

MANUTENÇÃO: AVISOS RELATIVOS AOS APARELHOS QUE CONTÉM REFRIGERANTE R32

- Durante a fase de conservação do aparelho, a composição e o estado do fluido condutor de calor serão controlados, assim como a ausência de vestígios de refrigerante.
- Durante o controlo anual da estanqueidade do aparelho, de acordo com as leis em vigor, verificar que os pressostatos de alta e baixa pressão estão corretamente ligados ao circuito frigorífico e que o circuito elétrico é cortado em caso de desengate.
- Durante a fase de manutenção, certifique-se de que não há sinais de corrosão ou manchas de óleo em torno dos componentes frigoríficos.

- Não solde ou solde o tubo se houver refrigerante dentro da máquina. Não carregue o gás quando estiver em um espaço confinado.

Verificação da zona

- Antes de começar a trabalhar em sistemas que contém fluidos frigorígenos inflamáveis, controles de segurança são necessários para garantir que o risco de faíscas seja reduzido.

Procedimento de trabalho

- Os trabalhos devem ser efetuados segundo um procedimento controlado para reduzir o risco de libertação de um gás ou vapor inflamável durante os trabalhos.
- Antes de todas as intervenções no circuito frigorífico, é imperativo parar o aparelho e aguardar alguns minutos antes da instalação de sensores de temperatura ou de pressão, porque certos equipamentos como o compressor e as tubagens podem atingir temperaturas superiores a 100°C e pressões elevadas que poderiam provocar queimaduras graves

Zona geral de trabalho

- Todo o pessoal de manutenção e as outras pessoas que trabalham na zona próxima devem ser mantidas ao corrente dos trabalhos efetuados. Trabalhos em espaços confinados devem ser evitados.

Verificação da presença de refrigerante

- A zona deve ser objeto de uma verificação por um detetor de refrigerante apropriado antes e durante os trabalhos, para que o técnico seja avisado da presença de uma atmosfera potencialmente tóxica ou inflamável. Assegurar-se de que o equipamento de deteção de fugas utilizado é adaptado à utilização com todos os refrigerantes concernidos, ou seja que não pode provocar faíscas, está corretamente isolado ou é perfeitamente seguro.

Presença de um extintor

- Se trabalhos que implicam uma certa temperatura devem ser efetuados no equipamento frigorífico ou sobre qualquer peça associada, um equipamento de extinção dos incêndios apropriado deve encontrar-se à mão. Colocar um extintor de pó ou CO2 na proximidade da zona de trabalho.

Ausência de fonte de ignição

- Toda pessoa que efetuar trabalhos num sistema frigorífico e que tenha de expor as tubagens não deverá utilizar qualquer fonte de faíscas suscetível de representar um risco de incêndio ou explosão. Todas as possíveis fontes de faísca, nomeadamente cigarros, devem ser mantidas suficientemente longe do local de instalação, reparação, retirada ou eliminação, quando uma libertação de refrigerante no espaço circundante é potencialmente possível. Antes dos trabalhos, a zona em torno do equipamento deve ser examinada para assegurar que não comporta riscos de incêndio ou de faísca. Cartazes “É proibido fumar” devem ser afixados.

Ventilação da zona

- Antes de aceder à unidade de qualquer maneira com a intenção de executar qualquer tarefa de manutenção, verifique se a área está aberta e bem ventilada. Ventilação adequada deve ser fornecida durante toda a tarefa de manutenção para permitir que qualquer refrigerante que possa ser liberado na atmosfera seja disperso com segurança.

Verificação do equipamento de refrigeração

- As recomendações do fabricante em matéria de conservação e manutenção devem sempre ser respeitadas. Aquando da substituição de componentes elétricos, assegurar-se da utilização de componentes do mesmo tipo e da mesma categoria, que sejam recomendados/aprovados pelo fabricante. Em caso de dúvida, consultar a assistência técnica do fabricante para obter ajuda.
- As seguintes verificações devem ser aplicadas às instalações que utilizam refrigerantes inflamáveis:
 - as marcações no equipamento devem permanecer visíveis e legíveis, todo sinal ou marcação ilegível deve ser corrigido;
 - os tubos ou componentes frigoríficos são instalados numa posição em que é pouco provável que sejam expostos a qualquer substância que possa corroer os componentes que contém refrigerantes, a menos que esses componentes sejam fabricados com materiais normalmente

resistentes à corrosão ou corretamente protegidos contra tal corrosão.

Verificação dos componentes elétricos

- A reparação e a manutenção dos componentes elétricos devem comportar controlos de segurança iniciais e procedimentos de inspeção dos componentes. Caso ocorra uma falha que possa comprometer a segurança, nenhuma alimentação elétrica deverá ser conectada ao circuito até que esta falha seja inteiramente resolvida. Se a falha não puder ser corrigida imediatamente, mas seja necessário continuar os trabalhos, uma solução temporária adaptada deverá ser encontrada. Este facto deve ser sinalizado ao proprietário do equipamento para que todas as pessoas envolvidas sejam avisadas.
- A reparação e a manutenção dos componentes elétricos devem comportar os seguintes controlos de segurança iniciais:
 - os condensadores estão descarregados: isto deve ser efetuado com toda a segurança para evitar qualquer possibilidade de faísca;
 - nenhum componente elétrico e nenhum cabo alimentado é exposto durante a carga, o acondicionamento ou a purga do sistema;
 - a ligação à terra deve estar presente em contínuo.

Reparação nos componentes isolados

- Aquando de reparações de componentes isolados, todas as alimentações elétricas devem ser desconectadas do equipamento no qual serão efetuados os trabalhos, antes de qualquer remoção da tampa de isolamento, etc. Se o equipamento deve absolutamente ser alimentado com eletricidade durante a conservação, um dispositivo de deteção de fugas funcionando em permanência deve ser posicionado no ponto mais crítico para sinalizar qualquer situação potencialmente perigosa.
- Convém prestar uma atenção particular aos seguintes pontos, para garantir que durante os trabalhos em componentes elétricos, a caixa não seja alterada a ponto de afetar o nível de proteção. Isto deve incluir cabos deteriorados, um número excessivo de ligações, terminais não conformes às características de origem, juntas deterioradas, a instalação incorreta dos prensa-cabos, etc.
- Certificar-se de que o aparelho está corretamente fixado.
- Certifique-se de que as juntas ou os materiais de isolamento não estão degradados a ponto de deixarem de impedir que uma atmosfera inflamável penetre no circuito. As peças sobresselentes devem estar em conformidade com as características do fabricante.

Reparação dos componentes intrinsecamente seguros

- Não aplicar nenhuma carga de indução ou de capacidade elétrica permanente ao circuito sem se certificar de que esta não excede a tensão e a intensidade autorizadas para o equipamento em curso de utilização.
- Os componentes normalmente seguros são os únicos tipos de componentes sobre os quais é possível trabalhar na presença de uma atmosfera inflamável enquanto são alimentados. O aparelho de teste deve pertencer à classe adaptada.
- Substituir os componentes unicamente por peças especificadas pelo fabricante. Outras peças poderiam inflamar o refrigerante na atmosfera devido a uma fuga.

Cablagem

- Verificar que a cablagem não apresenta desgaste, corrosão, pressão excessiva,
- vibração, bordo cortante ou qualquer outro efeito ambiental negativo. O controlo deve igualmente ter em conta os efeitos do envelhecimento ou de vibrações contínuas provocadas por fontes como compressores ou ventiladores.

Deteção de fluido refrigerante inflamável

- Em caso algum fontes potenciais de faísca devem ser utilizadas para a busca ou deteção de fugas de refrigerante. Não utilizar uma lâmpada halóide (ou qualquer outro detetor que utilize uma chama nua).
- Os seguintes métodos de deteção de fuga são considerados como aceitáveis para todos os sistemas frigoríficos.

- Os detetores de fuga eletrónicos podem ser utilizados para detetar fugas de refrigerante, mas no caso de refrigerantes inflamáveis, é possível que a sensibilidade não seja adaptada ou necessite uma nova calibração. (O equipamento de deteção deve ser calibrado num local que não comporte nenhum refrigerante.) Certificar-se de que o detetor não é uma potencial fonte de faísca e é adaptado ao refrigerante utilizado. O equipamento de deteção de fugas deve ser ajustado a uma percentagem do LFL do refrigerante e deve ser calibrado em função do refrigerante utilizado. A percentagem de gás apropriada (25 % no máximo) deve ser confirmada.
- Os fluidos de deteção de fugas são igualmente adaptados à utilização com a maioria dos refrigerantes, mas a utilização de detergentes contendo cloro deve ser evitada, pois poderiam reagir com o refrigerante e corroer as tubagens em cobre.
- Se houver uma suspeita de fuga, todas as chamas nuas devem ser suprimidas/apagadas.
- Se uma fuga de refrigerante foi detetada e necessita uma brasagem, todo o refrigerante deve ser retirado do sistema ou isolado (através de válvulas de fecho) numa parte do sistema afastada da fuga.

Retirada e evacuação

- Aquando de um acesso ao circuito frigorífico para efetuar reparações, ou por qualquer outro motivo, procedimentos convencionais devem ser utilizados. No entanto, para refrigerantes inflamáveis, é essencial seguir as recomendações porque a inflamabilidade deve ser tida em conta. O seguinte procedimento deve ser respeitado:
 - retirar o refrigerante;
 - purgar o circuito com um gás inerte (facultativo para o A2L);
 - evacuar (facultativo para o A2L);
 - purgar com um gás inerte (facultativo para o A2L);
 - abrir o circuito por corte ou soldagem.
- A carga de refrigerante deve ser recuperada nas garrafas de recuperação apropriadas. Para aparelhos que contenham refrigerantes inflamáveis outros que os refrigerantes A2L, o sistema deve ser purgado com azoto isento de oxigénio para tornar o aparelho apto a receber refrigerantes inflamáveis. Pode ser necessário repetir este processo várias vezes. Ar comprimido ou oxigénio não devem ser utilizados para purgar sistemas frigoríficos.

Procedimentos de carregamento

- Assegure-se de que a saída da bomba de vácuo não se encontra na proximidade de qualquer fonte potencial de faísca e de que uma ventilação está disponível.
- Além dos procedimentos de carregamento convencionais, as seguintes exigências devem ser respeitadas:
 - Assegure-se de que nenhuma contaminação entre diferentes refrigerantes é possível durante a utilização de um equipamento de carga. Os tubos flexíveis e as linhas devem ser tão curtos quanto possível para reduzir a quantidade de refrigerante que contém.
 - As garrafas devem ser mantidas numa posição apropriada, conforme as instruções.
 - Assegure-se de que o sistema frigorífico está ligado à terra antes de carregar o sistema com refrigerante.
 - Etiquetar o sistema uma vez efetuada a carga (se já não for o caso).
 - Prestar particularmente atenção para não encher demasiado o sistema frigorífico.
 - Antes de recarregar o sistema, um teste com pressão deve ser efetuado com um gás de purga apropriado. O sistema deve ser examinado quanto à ausência de fuga no fim da carga, mas antes da colocação em serviço. Um teste de fuga de acompanhamento deve ser efetuado antes de sair do local.

12. Desmantelamento

- Antes de efetuar um procedimento de desmantelamento, é indispensável que o técnico esteja bem familiarizado com o equipamento e as suas características. É particularmente recomendado recuperar cuidadosamente a integralidade dos refrigerantes. Antes de efetuar esta tarefa, uma amostra de óleo e de refrigerante deve ser recuperada, caso análises se revelem necessárias antes de uma outra utilização do refrigerante recuperado. É indispensável verificar a presença de uma

alimentação elétrica antes de iniciar a tarefa.

1. Familiarizar-se com o equipamento e o seu funcionamento.
2. Isolar eletricamente o sistema.
3. Antes de iniciar o procedimento, assegurar-se dos seguintes pontos:
 - um equipamento de movimentação mecânica está disponível, se necessário, para manipular as garrafas de refrigerante;
 - todo o equipamento de proteção individual está disponível e é corretamente utilizado;
 - o processo de recuperação é acompanhado o tempo todo por uma pessoa competente;
 - O equipamento e as garrafas de recuperação estão em conformidade com as normas aplicáveis.
4. Evacuar o sistema frigorífico, se possível.
5. Se um vácuo não puder ser criado, instalar um coletor para poder retirar o refrigerante a partir de várias localizações do sistema.
6. Assegurar-se de que a garrafa se encontra sobre as balanças antes de começar as operações de recuperação.
7. Fazer arrancar a máquina de recuperação e fazê-la funcionar em conformidade com as instruções.
8. Não encher excessivamente as garrafas (não mais de 80 % do volume de carga líquida).
9. Não exceder a pressão máxima de funcionamento da garrafa, mesmo temporariamente.
10. Quando as garrafas tiverem sido corretamente cheias e o processo estiver terminado, assegurar-se de que as garrafas e o equipamento sejam rapidamente removidos do local e as válvulas de isolamento alternativas do equipamento sejam fechadas.
11. O refrigerante recuperado não deve ser carregado num outro sistema frigorífico, a menos que tenha sido limpo e controlado.

13. RESOLUÇÃO DE PROBLEMAS

- Qualquer intervenção de soldagem deve ser realizada por soldadores qualificados.
- A substituição de tubagens só poderá ser efetuada com tubos em cobre em conformidade com a norma NF EN 12735-1.
- Detecção de fugas, caso de teste sob pressão:
 - nunca utilizar oxigénio ou ar seco, riscos de incêndio ou explosão,
 - utilizar azoto desidratado ou uma mistura de azoto e do refrigerante indicado na placa sinalética,
 - a pressão do teste dos lados baixa e alta pressão não deve exceder 42 bar, caso o aparelho esteja equipado com a opção manómetro.
- Para as tubagens do circuito de alta pressão realizadas com tubos em cobre de um diâmetro = ou > a 1”5/8, um certificado §2.1 segundo a norma NF EN 10204 deverá ser pedido ao fornecedor e conservado na documentação técnica da instalação.
- As informações técnicas relativas às exigências de segurança das diferentes diretivas aplicadas estão indicadas na placa sinalética. Todas estas informações devem ser registadas no manual de instalação do aparelho, que deve figurar na documentação técnica da instalação: modelo, código, número de série, TS máximo e mínimo, PS, ano de fabrico, marcação CE, endereço do fabricante, refrigerante e peso, parâmetros elétricos, performance termodinâmica e acústica.

ETIQUETAGEM

- O equipamento deve ser etiquetado, com uma menção indicando que foi posto fora de serviço e que o fluido frigorígeno foi drenado.
- A etiqueta deve ser datada e assinada.
- Para os aparelhos que contém um fluido frigorígeno inflamável, prestar atenção a que etiquetas sejam apostas no equipamento, indicando que contém um refrigerante inflamável.

RECUPERAÇÃO

- Aquando da drenagem do refrigerante, para a conservação ou a colocação fora de serviço, é recomendado seguir as boas práticas para drenar a integralidade do refrigerante com toda a segurança.
- Aquando da transferência de refrigerante a uma garrafa, utilizar uma garrafa de recuperação adaptada ao refrigerante. Prever o número adequado de garrafas para recuperar a integralidade do

fluido. Todas as garrafas a utilizar devem ser concebidas para a recuperação de refrigerante e devem ser etiquetadas para este refrigerante específico. As garrafas devem ser equipadas com uma válvula de

depressão e válvulas de retenção em bom estado de funcionamento. As garrafas de recuperação vazias são evacuadas e, se possível, arrefecidas antes da recuperação.

- O equipamento de recuperação deve estar em bom estado de funcionamento, as instruções de utilização do equipamento devem estar acessíveis e o equipamento deve ser adaptado ao refrigerante em questão, e se for o caso, ao refrigerante inflamável. Além disso, um conjunto de balanças calibradas deve estar disponível e em bom estado de funcionamento. Os tubos devem estar completos, não apresentar fugas nem uniões desconectadas, e devem estar em bom estado. Antes de utilizar a máquina de recuperação, verificar que ela está em bom estado de funcionamento, que foi bem conservada e os componentes elétricos associados foram tornados estanques para evitar qualquer início de incêndio em caso de liberação de refrigerante. Em caso de dúvida, consultar o fabricante.
- O refrigerante recuperado deve ser enviado ao fornecedor de refrigerante na sua garrafa de recuperação, com uma nota de transferência de resíduos. Não misturar diferentes fluidos frigorígenos nas unidades de recuperação, e em particular nas garrafas.
- Se o compressor for desmontado ou se o óleo do compressor for drenado, verificar que o refrigerante foi devidamente evacuado para que não se misture com o lubrificante. O processo de drenagem deve ser realizado antes de reenviar o compressor ao fornecedor. Unicamente o aquecimento elétrico do corpo do compressor pode ser utilizado para acelerar este processo. Quando qualquer líquido de um sistema for drenado, esta operação deve ser realizada com toda a segurança.



Reciclagem

Este símbolo, requerido pela diretiva europeia DEEE 2012/19/UE (diretiva relativa aos resíduos de equipamentos elétricos e eletrônicos) significa que o seu aparelho não deve ser posto no lixo. Ele será objeto de uma recolha seletiva com vistas à sua reutilização, reciclagem ou valorização. Se contiver substâncias potencialmente perigosas para o meio ambiente, estas serão eliminadas ou neutralizadas. Informe-se junto do seu revendedor sobre as modalidades de reciclagem.

WAARSCHUWINGEN

	<p>Dit symbool geeft aan dat er informatie beschikbaar is, zoals de Bedieningshandleiding of de Installatiehandleiding.</p>		<p>Dit symbool geeft aan dat er in dit apparaat R32 wordt gebruikt, een koelmiddel met lage verbrandingsnelheid.</p>
	<p>Dit symbool geeft aan dat de Gebruikershandleiding vooraf zorgvuldig moet worden gelezen.</p>		<p>Dit symbool geeft aan dat de persoonlijke servicedienst deze apparatuur moet behandelen zoals aangegeven in de Installatiehandleiding.</p>

ALGEMENE WAARSCHUWINGEN

- Het negeren van de waarschuwingen kan leiden tot schade aan de zwembadinstallatie of tot ernstig letsel, en kan zelfs de dood tot gevolg hebben.
- Alleen een vakman op het gebied van de betreffende technische vakgebieden (elektriciteit, hydraulica of koeltechnieken) is bevoegd onderhoud of reparaties uit te voeren aan het apparaat. De gekwalificeerde technicus die werkzaamheden op het apparaat uitvoert, moet persoonlijke beschermingsmiddelen gebruiken / dragen (zoals een veiligheidsbril, handschoenen, etc...) om het risico op verwondingen te voorkomen tijdens werkzaamheden op het apparaat.
- Controleer vóór het uitvoeren van ongeacht welke werkzaamheden of de stroom uitgeschakeld is en de toegang tot het apparaat vergrendeld is.
- Dit apparaat is niet bestemd voor een gebruik door personen (inclusief kinderen) waarvan de lichamelijke, zintuiglijke of geestelijke vermogens verminderd zijn of door personen zonder enige ervaring en kennis, tenzij:
 - zij via een voor hun veiligheid verantwoordelijke persoon onder toezicht staan of van tevoren instructies hebben ontvangen betreffende het gebruik van het apparaat;
 - en zij de mogelijke gevaren begrijpen.
- Kinderen moeten onder toezicht staan, om te voorkomen dat zij niet met het apparaat spelen.
- Het apparaat moet worden geïnstalleerd volgens de instructies van de fabrikant en met respect voor de heersende lokale en nationale normen. De installateur is verantwoordelijk voor het installeren van het apparaat en de naleving van de nationale regelgeving met betrekking tot de installatie. De fabrikant kan in geen geval aansprakelijk worden gesteld wanneer de ter plaatse geldende installatienormen niet worden gerespecteerd.
- Voor alle andere tussenkomsten dan het eenvoudig gebruikersonderhoud zoals beschreven in deze handleiding, moet het product worden onderhouden door een vakman.
- Elke slechte installatie en/of verkeerd gebruik kan leiden tot ernstige materiële schade of lichamelijke letsels (die tot de dood kunnen leiden).
- Raadpleeg de garantievoorwaarden voor de gegevens van de toegelaten evenwichtsvoorwaarden van het water voor de werking van het apparaat.
- Elke deactivering, verwijdering of ontwijking van een van de ingebouwde beveiligingselementen in het apparaat doet automatisch de garantie vervallen, evenals het gebruik van vervangende onderdelen afkomstig van een niet-geautoriseerde derde fabrikant.
- Spuit geen insecticide of andere chemische producten (al dan niet brandbaar) in de richting van het apparaat, dit kan de behuizing beschadigen en brand veroorzaken.
- Raak de ventilator en de bewegende delen niet aan en houd voorwerpen en uw vingers uit de buurt van de bewegende delen tijdens de werking van het apparaat. De bewegende delen kunnen ernstig en zelfs

dodelijk letsel tot gevolg hebben.

WAARSCHUWINGEN MET BETREKKING TOT ELEKTRISCHE APPARATEN

- De elektrische voeding van het apparaat moet worden beschermd door een speciale aardlekbeveiliging (RCD) van 30 mA conform de normen van het land waar het geïnstalleerd wordt.
- Een aangepaste scheidingsmethode die voldoet aan alle lokale en nationale regelgeving voor overspanning van categorie III, die alle polen van het voedingscircuit snijdt, moet worden geïnstalleerd in het voedingscircuit van het apparaat. Deze scheidingsmethode wordt niet meegeleverd met het apparaat en moet door de installateur worden geleverd.
- Controleer vóór alle werkzaamheden dat:
 - De spanning, aangegeven op het kenplaatje van het apparaat overeenkomt met deze van het net,
 - het voedingsnet geschikt is voor het gebruik van dit apparaat, en beschikt over een stopcontact met aarding,
 - of de stekker (indien aanwezig) is aangepast aan het stopcontact.
- Een apparaat in bedrijf niet loskoppelen en opnieuw aansluiten.
- Niet aan de voedingskabel trekken om deze los te koppelen.
- Indien de voedingskabel beschadigd raakt, moet deze worden vervangen door de fabrikant, zijn servicedienst of een gekwalificeerd technicus, om de veiligheid te garanderen.
- Geen onderhoud of een servicebeurt uitvoeren aan het apparaat met vochtige handen of wanneer het apparaat vochtig is.
- Alvorens het apparaat aan te sluiten op de voedingsbron verifiëren of het aansluitblok of het stopcontact waar het apparaat op zal worden aangesloten, in goede staat verkeert en niet beschadigd of verroest is.
- Haal bij onweerachtig weer de stekker van het apparaat uit het stopcontact om te voorkomen dat dit wordt beschadigd door de bliksem.
- Dompel het apparaat niet onder in water modder ; houd de stroomonderbreker uit de buurt van water

WAARSCHUWINGEN VOOR APPARATEN DIE EEN KOELMIDDELEN BEVATTEN

- Het R32-koelmiddel is een koelmiddel van categorie A2L, dat wordt beschouwd als potentieel ontvlambaar.
- Het fluïdum R32 niet afblazen in de atmosfeer. Deze vloeistof is een gefluoreerd broeikasgas, dat valt onder het Protocol van Kyoto, met een potentiële bijdrage aan de globale opwarming (GWP) = 675 voor R32 (zie Europese reglementering EG 517/2014).
- Het apparaat moet worden opgeslagen in een goed verluchte ruimte uit de buurt van bronnen van vlammen.
- Installeer het apparaat buiten. Installeer het apparaat niet binnenshuis of in een afgesloten en niet-geventileerde ruimte buiten.
- Probeer niet op andere wijze dan deze aanbevolen door de fabrikant het ontdooi- of reinigingsproces te versnellen.
- Het apparaat moet worden opgeslagen in een ruimte zonder vonkenbron die constant in werking is (bijv. een gasapparaat of elektrische verwarming in werking).
 - Niet doorboren of verbranden.
 - Merk op dat het R32-koelmiddel een geur kan verspreiden.
- Om te voldoen aan de relevante milieu- en installatienormen, in het bijzonder aan decreet nr. 2015- 1790 en / of de EU-reglementering 517/2014, moet minstens eenmaal per jaar een lektest worden uitgevoerd op het koelcircuit. Deze bewerking moet worden uitgevoerd door een gecertificeerde specialist in koelsystemen.
- Bewaar de beeldschermregelaar in een droge ruimte om te voorkomen dat de beeldschermregelaar door vocht wordt beschadigd

ONDERHOUD: WAARSCHUWINGEN VOOR APPARATEN DIE R32-KOELMIDDELEN BEVATTEN

- Tijdens de onderhoudsfase van het apparaat, dienen de samenstelling en de staat van de warmtegeleidende vloeistof gecontroleerd te worden en dienen eventuele sporen van koelvloeistof opgespoord te worden.
- Tijdens de jaarlijkse controle dient in overeenstemming met de van kracht zijnde wetgeving de afdichting van het apparaat, de juiste aansluiting van de hoge en lage drukregelaars op het koelcircuit en de onderbreking van het elektrisch circuit in geval van activering gecontroleerd te worden.
- Tijdens de onderhoudsfase dient men te controleren of er geen sporen zijn van corrosie of olievlekken rond de koelcomponenten.
- De buis niet solderen of lassen als er koelmiddel in de machine zit. Laad het gas niet op in een afgesloten ruimte.

Controle van de zone

- Bij werkzaamheden aan systemen met ontvlambare koelmiddelen zijn veiligheidscontroles noodzakelijk om het risico op vonkvorming te reduceren.

Werkprocedure

- De werkzaamheden moeten worden uitgevoerd met een controleprocedure om het risico op het vrijkomen van ontvlambaar gas of damp bij de werkzaamheden te reduceren.
- Voorafgaand aan welke werkzaamheden ook aan het koelcircuit, dient men het apparaat verplicht uit te schakelen en enkele minuten te wachten alvorens temperatuur- of drukmeters aan te brengen, omdat bepaalde onderdelen, zoals de compressor en de leidingen, temperaturen van meer dan 100°C kunnen bereiken en de hoge drukken ernstige brandwonden kunnen veroorzaken.

Algemene werkzone

- Alle onderhoudspersoneel en andere personen die werken in de directe omgeving moeten worden geïnformeerd over de uit te voeren werkzaamheden. Werkzaamheden in besloten ruimtes moet worden vermeden.

Controle van de aanwezigheid van koelmiddel

- De zone moet vóór en tijdens de werkzaamheden met behulp een geschikte koelmiddeldetector worden gecontroleerd, zodat de technicus geïnformeerd wordt over de mogelijk toxiciteit en ontvlambaarheid van de lucht. Verifieer dat de gebruikte koelmiddeldetector geschikt is voor het gebruik met de betreffende koelmiddelen, d.w.z. dat deze geen vonken kan veroorzaken, correct geïsoleerd en perfect veilig is.

Aanwezigheid van een brandblusser

- Als werkzaamheden bij hoge temperatuur op het koelapparaat of aanliggende onderdelen moeten worden uitgevoerd, moet een geschikte brandblusser zich binnen handbereik bevinden. Plaats een poeder- of CO₂-brandblusser in de buurt van de werkzone.

Afwezigheid van een ontstekingsbron

- Er mag geen enkele vonkbron worden gebruikt bij werkzaamheden aan een koelsysteem waarbij diens leidingen worden blootgelegd. Alle mogelijke bronnen van vonken, inclusief een sigaret, moeten zich op voldoende afstand bevinden van de installatiezone, reparatie, verwijdering of eliminatie wanneer koelmiddel kan vrijkomen in de omgeving. Voorafgaand aan de werkzaamheden moet de zone rond de apparatuur worden bekeken om te verzekeren dat er geen brandgevaar of gevaar voor vonken aanwezig is. Bordjes met "Niet roken" moeten worden aangebracht.

Ventilatie van de zone

- U moet zorgen dat de zone voldoende open en verlucht is voordat u toegang heeft tot de installatie. Tijdens het onderhoud van het apparaat moet een correcte verluchting worden aangehouden voor een veilige verspreiding van accidenteel in de lucht vrijgekomen koelmiddel.

Controle van de koelapparatuur

- De aanbevelingen voor onderhoud en service van de fabrikant moeten altijd worden opgevolgd. Gebruik bij het vervangen van elektrische componenten enkel componenten die van hetzelfde type en van

de dezelfde kwaliteit zijn, zoals aanbevolen / goedgekeurd door de fabrikant. Raadpleeg bij twijfel de technische service van de fabrikant voor assistentie.

- De volgende controles moeten worden uitgevoerd op installaties die gebruik maken van ontvlambare koelmiddelen:

- de markeringen op de apparatuur moeten zichtbaar en leesbaar blijven, alle nietleesbare markeringen en signaleringen moeten worden hersteld;
- de koelmiddelleidingen of -componenten moeten zodanig worden geïnstalleerd dat het onwaarschijnlijk is dat ze worden blootgesteld aan substanties die koelmiddel bevattende componenten kunnen aantasten, behalve indien deze componenten zijn gemaakt van materialen die normaal bestand zijn tegen corrosie of daartegen afdoende zijn beschermd.

Controle van elektrische componenten

- De reparatie en het onderhoud van elektrische componenten moet in eerste instantie veiligheidscontroles en inspectieprocedures van de componenten omvatten. Als er een storing optreedt die de veiligheid in gevaar kan brengen, mag het circuit niet onder spanning worden gesteld zolang deze storing niet volledig is verholpen. Als de storing niet onmiddellijk kan worden verholpen, en de werkzaamheden moeten worden voortgezet, moet een geschikte tijdelijke oplossing worden gevonden. De eigenaar van de apparatuur moet hierover worden geïnformeerd zodat alle betrokken personen op de hoogte worden gesteld.
- De reparatie en het onderhoud van elektrische componenten moet in eerste instantie de volgende veiligheidscontroles omvatten:
 - de condensatoren moeten worden ontladen: dit moet gebeuren op veilige wijzen zonder vonkvorming te veroorzaken;
 - er mag geen enkele elektrische component of elektrische bedrading blootgesteld worden tijdens het laden, het herstellen of het aflaten van het systeem;
 - de aardverbinding moet continu aanwezig zijn.

Reparaties van geïsoleerde componenten

- Bij reparaties aan geïsoleerde componenten moeten alle elektrische voedingen worden ontkoppeld van de apparatuur waarop werkzaamheden worden uitgevoerd, en dit vóór het verwijderen van de isolerende kappen. Als de apparatuur toch om dwingende reden tijdens de reparaties elektrisch moet worden gevoed, moet een continu werkend lekdetectieapparaat worden aangebracht op het meest kritieke punt om een mogelijk gevaarlijke situatie te signaleren.
- Er moet bijzondere aandacht worden besteed aan de volgende punten om ervoor te zorgen dat bij het werken aan elektrische componenten de behuizing niet wordt gewijzigd wat het beschermingsniveau zou kunnen aantasten. Dit moet het volgende omvatten: beschadigde kabels, een te groot aantal verbindingen, klemmen die niet voldoen aan de oorspronkelijke specificaties, een niet-correcte installatie van de kabelwartels, etc.
- Verzeker u ervan dat het apparaat correct bevestigd is.
- Controleer of de dichtingen of isolatiematerialen niet zijn aangetast zodanig dat ze niet langer het binnendringen van een explosieve atmosfeer in het circuit zouden verhinderen. De reserve-onderdelen moeten voldoen aan de specificaties van de fabrikant.

Reparatie van intrinsiek veilige componenten

- Indien een permanente elektrische inductie- of capaciteitsbelasting wordt aangebracht, moet worden gecontroleerd of deze niet de toegestane spanning en stroom van de apparatuur overschrijdt tijdens het gebruik.
- Normaal veilige componenten zijn de enige types waarbij het mogelijk is om te werken in de aanwezigheid van een ontvlambare atmosfeer wanneer deze worden gevoed. Het testapparaat moet tot de correcte klasse behoren.
- Vervang componenten alleen door onderdelen die door de fabrikant zijn gespecificeerd. Andere onderdelen kunnen het koelmiddel ontsteken bij een lek.

Bekabeling

- Controleer of de bedrading geen slijtage, corrosie, overmatige druk, trillingen, schade door scherperanden of andere nadelige omgevingsinvloeden vertonen. De controle moet ook rekening houden met de

effecten van veroudering of continue trillingen veroorzaakt door bronnen zoals compressoren of ventilatoren.

Detectie van brandbaar koelmiddel

- Potentiële bronnen van vonken mogen nooit worden gebruikt voor het opsporen of detecteren van koelmiddellekken. Een halidelamp (of een andere detector met een open vlam) mag niet worden gebruikt.
- De volgende lekdetectiemethoden worden aanvaardbaar geacht voor alle koelsystemen.
- Elektronische lekdetectoren kunnen worden gebruikt om koelmiddellekken te detecteren, maar bij brandbaar koelmiddel is de gevoeligheid mogelijk niet voldoende of moet de kalibratie opnieuw worden uitgevoerd. (De detectieapparatuur moet worden gekalibreerd op een plaats waar geen koelmiddel aanwezig is). Verzeker u ervan dat de detector geen potentiële vonkbron is en aangepast is aan het gebruikte koelmiddel. De lekdetectieapparatuur moet worden ingesteld op een percentage van het koelmiddel-LFL en moet worden gekalibreerd voor het gebruikte koelmiddel. Het juiste percentage gas (maximaal 25%) moet worden bevestigd.
- Lekdetectievloeistoffen zijn ook geschikt voor het gebruik met de meeste koelmiddelen, het gebruik van chloorhoudende detergent daarentegen moet worden vermeden omdat dit kan reageren met het koelmiddel en de koperen leidingen kan aantasten.
- Als er een vermoeden van een lek is, moeten alle open vlammen worden verwijderd / gedoofd.
- Bij het detecteren van een koelmiddellek en als solderen noodzakelijk is, moet al het koelmiddel uit het systeem worden afgelaten of geïsoleerd (met afsluitkleppen) in een deel van het systeem dat verwijderd is van het lek.

Verwijdering en afvoeren

- Bij toegang tot het koelmiddelcircuit om reparaties uit te voeren, of om andere redenen, moeten conventionele procedures worden gebruikt. Bij ontvlambare koelmiddelen is het echter essentieel om de aanbevelingen op te volgen omdat rekening moet worden gehouden met de ontvlambaarheid. De volgende procedure moet worden gevolgd:
 - verwijder het koelmiddel;
 - laat het circuit af met een inert gas (optioneel voor A2L);
 - afvoeren (optioneel voor A2L);
 - spoelen met een inert gas (optioneel voor A2L);
 - open het circuit door afzagen of lossolderen.
- De koelmiddelvulling moet worden gerecupereerd in geschikte recuperatiecilinders. Bij apparatuur die andere ontvlambare koelmiddelen bevatten dan A2L-koelmiddelen moet het systeem worden gespoeld met stikstofgas zonder zuurstof om de apparatuur geschikt te maken voor brandbare koelmiddelen. Het kan noodzakelijk zijn om dit proces meerdere keren te herhalen. Perslucht of zuurstofgas mogen niet worden gebruikt om koelsystemen te spoelen.

Vulprocedure

- Controleer dat de vacuümpompuitlaat zich niet in de buurt bevindt van een mogelijke bron van vonken en dat er verluchting is.
- Naast de conventionele vulprocedures moet aan de volgende eisen worden voldaan.
 - Verzeker dat er bij het gebruik van een vulsysteem geen verontreiniging mogelijk is tussen verschillende koelmiddelen. De slangen of leidingen moeten zo kort mogelijk zijn om de hoeveelheid koelmiddel die ze bevatten zo beperkt mogelijk te houden.
 - De cilinders moeten in de juiste positie worden gehouden conform de instructies.
 - Zorg ervoor dat het koelsysteem geaard is voordat het vullen met koelmiddel gebeurt.
 - Label het systeem na het vullen (indien dit nog niet zou zijn gedaan).
 - Let er vooral op het koelsysteem niet te overvullen.
- Vooraleer het systeem opnieuw te vullen, moet een druktest worden uitgevoerd met het juiste spoelgas. Het systeem moet worden gecontroleerd op lekkage na het vullen en voor de indienststelling. Voer een opvolglektest uit voordat de locatie wordt verlaten.

Ontmanteling

- Vooraleer een ontmantelingsprocedure uit te voeren, moet de technicus goed bekend zijn met de

apparatuur en diens kenmerken. Wij bevelen sterk aan om met zorg alle koelmiddel volledig te recuperen. Voorafgaand aan het uitvoeren van deze taak moet een monster van de olie en het koelmiddel worden genomen voor het geval van een hergebruik van het gerecupereerde koelmiddel. Het is noodzakelijk om de aanwezigheid van een stroomvoorziening te controleren vóór het uitvoeren van deze taak.

1. Maak u vertrouwd met de apparatuur en diens werking.
2. Isoleer het systeem elektrisch.
3. Voordat u de procedure start, moet u ervoor zorgen dat:
 - er een mechanische behandelingssysteem aanwezig is als de koelmiddelcilinders moeten worden gemanipuleerd;
 - alle persoonlijke beschermingsmiddelen beschikbaar zijn en correct worden gebruikt;
 - het recuperatieproces voortdurend wordt opgevolgd door een bevoegd persoon;
 - de apparatuur en de recuperatiecilinders voldoen aan de relevante normen.
4. Laat het koelsysteem af, indien mogelijk.
5. Als er geen vacuüm kan worden gecreëerd, breng dan een opvangsysteem aan zodat het koelmiddel kan worden verwijderd vanaf verschillende punten op het systeem.
6. Zorg dat de fles op de weegschaal staat voordat u begint met de recuperatieprocedure.
7. Start de recuperatiemachine en laat deze werken conform de instructies.
8. Overvul de flessen niet (met niet meer dan 80% van het vulvolume van de vloeistof).
9. Overschrijd de maximale werkingsdruk van de cilinder niet, zelfs niet tijdelijk.
10. Wanneer de cilinders correct zijn gevuld en de procedure is voltooid, zorg er dan voor dat decilinders en apparatuur snel van de locatie worden verwijderd en dat de alternatieve afsluitkleppen op de apparatuur worden gesloten.
11. Het gerecupereerd koelmiddel mag niet in een ander koelsysteem worden gebruikt zonder voorafgaand te zuiveren en te controleren.

STORINGOPLOSSING

- Soldeerwerkzaamheden dienen uitgevoerd te worden door erkende soldeerspecialisten.
- Voor de vervanging van de leidingen mag uitsluitend gebruik gemaakt worden van koperen buizen overeenkomstig de norm NF EN 12735-1.
- Detectie van lekken, testen onder druk:
 - nooit droge zuurstof of lucht gebruiken, gevaar voor brand of ontploffingen,
 - gedehydrateerde stikstof of een mengsel van stikstof en het op het typeplaatje aangegeven koelmiddel gebruiken.
 - de druk van de test aan de lage en hoge druk zijde mag niet hoger zijn dan 42 bar in het geval apparaat is voorzien van de optie manometer.
- Voor leidingen van het hogedruk-circuit uitgevoerd met een koperen buis van een diameter gelijk aan of meer dan 1 5/8", dient een certificaat §2.1 overeenkomstig de norm NF EN 10204 aangevraagd te worden bij de leverancier en dat aan het technisch installatiedossier toegevoegd dient te worden.
- De technische informatie met betrekking tot de veiligheidseisen van de verschillende toegepaste richtlijnen staan aangegeven op het typeplaatje. Al deze informatie dient geregistreerd te worden in de installatiehandleiding van het toestel die deel uit dient te maken van het technische installatiedossier: model, code, serienummer, max. en min. TS, PS, fabricatiejaar, CE-markering, adres van de fabrikant, koelvloeistof en gewicht, elektrische instellingen, thermodynamische en akoestische prestaties.

LABELING

- De apparatuur moet worden geëtiketteerd om aan te geven dat deze buiten gebruik is gesteld endat het koelmiddel is afgelaten.
- Het label moet worden gedateerd en ondertekend.
- Let er bij apparaten die een ontvlambaar koelmiddel bevatten op dat etiketten op het apparaat zijn aangebracht die aangeven dat het ontvlambaar koelmiddel bevat.

RECUPERATIE

- Tijdens het aflaten van koelmiddel voor onderhoud of buitenbedrijfstelling wordt aanbevolen om de goede praktijken op te volgen voor het veilig en volledig aflaten van koelmiddel.
- Gebruik bij het overbrengen van koelmiddel naar de cilinder een recuperatiecilinder geschikt voor

het koelmiddel. Verzeker u ervan dat u over het juiste aantal cilinders beschikt om de vloeistof volledig te recupereren. Alle gebruikte cilinders moeten ontworpen zijn voor het recuperen van koelmiddel en moeten een etiket dragen voor het betreffende koelmiddel. De cilinders moeten uitgerust zijn met een vacuümklep en beschikken over afsluitkleppen die goed werken. De lege recuperatiecilinders worden leeggezogen en, indien mogelijk, gekoeld vóór het recuperatieproces.




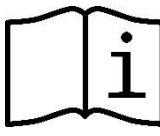
- De recuperatie-apparatuur moet in goede werkingsstaat verkeren, de gebruiksaanwijzing van de apparatuur moet binnen handbereik zijn en de apparatuur moet geschikt zijn voor het koelmiddel, indien van toepassing, evenals voor ontlambaar koelmiddel. Daarnaast moet een set gekalibreerde weegschalen beschikbaar zijn. Deze moeten in goede werkingsstaat verkeren. De slangen moeten volledig zijn, mogen geen lekken of losse verbindingen hebben, en moeten in goede staat zijn. Controleer voordat u de recuperatiemachine gebruikt of deze in goede staat verkeert, en goed is onderhouden en of de bijbehorende elektrische componenten dicht zijn om te voorkomen dat er brand ontstaat bij het vrijkomen van koelmiddel. Raadpleeg bij twijfel de fabrikant.
- Het gerecupereerde koelmiddel moet worden teruggestuurd naar de koelmiddelleverancier in een recuperatiecilinder, met een afvaloverdrachtsbrief. Meng geen verschillende koelmiddelen in de recuperatiesystemen, en vooral niet in de cilinders.
- Na het demonteren van de compressor of het afdalen van de compressorolie, controleren of het koelmiddel volledig is verwijderd om te vermijden dat het zich met het smeermiddel zou mengen. Het afdalproces moet worden uitgevoerd voordat de compressor naar de leverancier wordt terug gestuurd. Enkel de elektrische verwarming van het compressorlichaam kan worden gebruikt om dit proces te versnellen. Het afdalen van de vloeistoffen in een systeem moet op volledig veilige wijze gebeuren.



RECYCLING

Dit symbool wordt opgelegd door de Europese AEEA-richtlijn 2012/19/EU (richtlijn betreffende afgedankte elektrische en elektronische apparatuur) en betekent dat uw apparaat niet met het huisvuil mag worden weggegooid. Dit moet selectief worden verwerkt voor hergebruik, recyclage of herstelling. Als het apparaat mogelijk milieugevaarlijke stoffen bevat, dan moeten deze verwijderd of geneutraliseerd worden. Vraag uw dealer om informatie over de wijze van recycling.

 **OSTRZEŻENIA**

	<p>Ten symbol oznacza, że więcej informacji jest dostępnych w Instrukcji obsługi lub w Instrukcji instalacji.</p>		<p>Ten symbol wskazuje, że urządzenie wykorzystuje czynnik chłodniczy R32, o niskiej prędkości spalania.</p>
	<p>Ten symbol oznacza, że należy uważnie przeczytać instrukcję obsługi.</p>		<p>Ten symbol oznacza, że technik konserwacji musi przeprowadzić odpowiednie prace dotyczące tego urządzenia zgodnie z Instrukcją obsługi.</p>

OSTRZEŻENIA OGÓLNE

- Nieprzestrzeganie ostrzeżeń może spowodować uszkodzenie sprzętu w basenie, a także poważne obrażenia lub śmierć.
- Tylko osoba wykwalifikowana w zakresie odpowiednich dziedzin techniki (elektryczność, hydraulika lub chłodnictwo) jest upoważniona do przeprowadzania prac konserwacyjnych lub napraw urządzenia. Wykwalifikowany technik pracujący przy urządzeniu musi używać/nosić osobiste wyposażenie ochronne (takie jak okulary ochronne, rękawice ochronne itp.), aby zmniejszyć ryzyko obrażeń, które mogą wystąpić podczas wykonywania prac przy urządzeniu.
- Przed rozpoczęciem pracy należy upewnić się, że urządzenie zostało wyłączone, a jego zasilanie jest zablokowane.
- To urządzenie nie jest przeznaczone do użytku przez osoby (w tym dzieci w wieku 8 lat i starsze), które nie mają odpowiedniego doświadczenia lub których zdolności fizyczne, sensoryczne lub umysłowe są ograniczone, z wyjątkiem: jeżeli jest używane pod nadzorem osoby odpowiedzialnej za ich bezpieczeństwo lub która przekazała im odpowiednie wskazówki dotyczące obsługi urządzenia; jeśli rozumieją ryzyko związane z obsługą urządzenia.
 - Należy nadzorować dzieci, aby upewnić się, że nie bawią się urządzeniem.
- Instalacja urządzenia musi być wykonana zgodnie z instrukcjami producenta oraz obowiązującymi normami lokalnymi i krajowymi. Instalator jest odpowiedzialny za instalację urządzenia i przestrzeganie krajowych przepisów instalacyjnych. W żadnym wypadku producent nie może być pociągnięty do odpowiedzialności za jakiegokolwiek nieprzestrzeganie lokalnych norm instalacyjnych.
- W przypadku innych czynności niż opisane w tej instrukcji proste prace konserwacyjne wykonywane przez użytkownika, produkt musi być serwisowany przez wykwalifikowanego specjalistę.
- Niewłaściwa instalacja i/lub użytkowanie może doprowadzić do poważnego uszkodzenia mienia lub obrażeń ciała (również śmiertelnych),
- Jeśli urządzenie działa wadliwie, nie należy podejmować prób samodzielnej naprawy urządzenia, ale skontaktować się z wykwalifikowanym technikiem.
- Każda dezaktywacja, usunięcie lub obejście jakiegokolwiek wbudowanej funkcji zabezpieczającej powoduje automatyczne unieważnienie gwarancji, podobnie jak i użycie części zamiennych pochodzących od nieautoryzowanego producenta zewnętrznego.
- Nie należy rozpylać na urządzenie jakiegokolwiek środka owadobójczego ani innych substancji chemicznych (łatwopalnych lub niepalnych), ponieważ może to spowodować uszkodzenie obudowy i pożar.
- Nie dotykać wentylatora ani ruchomych części i nie trzymać żadnych przedmiotów ani palców w pobliżu ruchomych części podczas pracy urządzenia. Ruchome części mogą spowodować poważne obrażenia lub śmierć.

OSTRZEŻENIA DOTYCZĄCE URZĄDZEŃ ELEKTRYCZNYCH

- Zasilanie urządzenia musi być chronione przez specjalne urządzenie różnicowoprądowe o wartości 30 mA, zgodnie z przepisami obowiązującymi w raju instalacji.
- Nie używaj przedłużacza do podłączania urządzenia – podłącz urządzenie bezpośrednio do odpowiedniego obwodu zasilania.
- Przed każdą pracą sprawdź, czy:
 - Napięcie wskazane na tabliczce znamionowej urządzenia odpowiada napięciu w sieci zasilania,
 - Sieć zasilania jest odpowiednia dla użytkowania urządzenia i jest wyposażona w uziemienie,
 - Wtyczka zasilania (jeśli dotyczy) pasuje do gniazdka elektrycznego.
- Nie należy odłączać i nie podłączać ponownie urządzenia podczas pracy.
- Nie ciągnij za kabel zasilający, aby go odłączyć.
- Jeśli przewód zasilający jest uszkodzony, w celu uniknięcia zagrożenia musi on obowiązkowo zostać wymieniony na nowy przez producenta, jego autoryzowanego technika lub osobę o podobnych kwalifikacjach.
- Nie wolno wykonywać prac naprawczych lub konserwacyjnych mokrymi rękami lub gdy urządzenie jest mokre.
- Przed podłączeniem urządzenia do źródła zasilania sprawdź, czy listwa zaciskowa lub gniazdko elektryczne, do którego urządzenie zostanie podłączone, znajduje się w dobrym stanie i nie jest uszkodzone ani zardzewiałe.
- W czasie burzy odłącz urządzenie od zasilania, aby zapobiec uszkodzeniu przez uderzenie pioruna.
- Nie zanurzaj urządzenia w wodzie lub błocie ; trzymaj wyłącznik z dala od wody.

OSTRZEŻENIA DOTYCZĄCE URZĄDZEŃ ZAWIERAJĄCYCH CZYNNIK CHŁODNICZY R32

- Czynnik chłodniczy R32 jest czynnikiem chłodniczym kategorii A2L, uważanym za potencjalnie łatwopalny.
- Płyn R32 lub R410A nie może być odprowadzany do otoczenia. Płyn ten to fluorowany gaz cieplarniany objęty protokołem z Kioto, o globalnym potencjale grzewczym (GWP) = 675 w przypadku (patrz przepisy europejskie WE 517/2014).
- Urządzenie należy przechowywać w dobrze wentylowanym miejscu, z dala od źródeł ognia.
- Urządzenie powinno zostać zainstalowane na wolnym powietrzu. Nie instaluj urządzenia w pomieszczeniu zamkniętym lub na zewnątrz w miejscu zamkniętym i nieprzewietrzanym.
- Nie należy używać środków przyspieszających proces odszraniania lub czyszczenia, innych niż zalecane przez producenta.
- Podczas ciągłego funkcjonowania, urządzenie musi być przechowywane w pomieszczeniu niezawierającym żadnych źródeł iskier (na przykład: otwarty płomień, działające urządzenie gazowe lub działające ogrzewanie elektryczne).
- Nie przekłuwać ani nie spalać.
- Należy pamiętać, że czynnik chłodniczy R32 może wydzielać określony zapach.
- Aby zapewnić zgodność z odpowiednimi normami i przepisami dotyczącymi środowiska oraz instalacji, a w szczególności z francuskim rozporządzeniem nr 2015-1790 i/lub rozporządzeniem europejskim UE 517/2014, szczelność obwodu chłodniczego musi być sprawdzana co najmniej raz w roku. Czynność ta musi być przeprowadzana przez specjalistę certyfikowanego w dziedzinie urządzeń chłodniczych.
- Kontroler wyświetlacza należy przechowywać w suchym miejscu, aby chronić kontroler wyświetlacza przed uszkodzeniem przez wilgoć.

KONSERWACJA: OSTRZEŻENIA DOTYCZĄCE URZĄDZEŃ ZAWIERAJĄCYCH CZYNNIK CHŁODNICZY R32

- Podczas fazy konserwacji urządzenia należy sprawdzić skład i stan płynu chłodniczego, a także brak

jakichkolwiek śladów wycieku czynnika chłodniczego.

- Podczas corocznej kontroli szczelności urządzenia, zgodnie z obowiązującymi przepisami należy sprawdzić, czy przełączniki wysokiego i niskiego ciśnienia są prawidłowo podłączone do obwodu chłodniczego i czy w przypadku wyzwolenia odcinają obwód elektryczny.
- Podczas fazy konserwacji należy upewnić się, że wokół elementów chłodniczych nie ma śladów korozji ani plam oleju.
- Nie lutować ani nie spawać rury, jeśli wewnątrz maszyny znajduje się czynnik chłodniczy. Prosimy nie ładować gazu w ograniczonej przestrzeni.

Sprawdzenie obszaru

- Przed rozpoczęciem jakichkolwiek prac dotyczących układów zawierających łatwopalne czynniki chłodnicze konieczne jest przeprowadzenie kontroli bezpieczeństwa w celu ograniczenia ryzyka iskrzenia.

Procedura robocza

- Prace należy wykonywać zgodnie z kontrolowaną procedurą w celu zmniejszenia ryzyka uwolnienia łatwopalnego gazu lub pary podczas pracy.
- Przed rozpoczęciem jakichkolwiek prac dotyczących obwodu chłodniczego należy koniecznie wyłączyć urządzenie i poczekać kilka minut przed zainstalowaniem czujników temperatury lub ciśnienia - niektóre urządzenia, takie jak sprężarka i rury, mogą osiągnąć temperaturę powyżej 100°C i wysokie ciśnienie, co może być przyczyną poważnych oparzeń.

Ogólny obszar roboczy

- Wszyscy pracownicy działu konserwacji i inne osoby pracujące w pobliskim obszarze muszą zostać poinformowane o prowadzonych pracach. Należy unikać pracy w przestrzeniach zamkniętych.

Sprawdzenie obecności czynnika chłodniczego

- Obszar musi zostać sprawdzony za pomocą odpowiedniego detektora czynnika chłodniczego przed i podczas pracy, aby technik został ostrzeżony o obecności atmosfery potencjalnie toksycznej lub łatwopalnej. Należy upewnić się, że używany sprzęt do wykrywania wycieków jest odpowiedni dla wszystkich stosowanych odnośnych czynników chłodniczych, co oznacza, że nie może powodować iskrzenia, jest odpowiednio izolowany lub całkowicie bezpieczny.

Obecność gaśnicy

- Jeżeli przy sprzęcie chłodniczym lub jakiegokolwiek części z nim związanej mają być wykonywane prace wymagające wysokiej temperatury, odpowiedni sprzęt gaśniczy musi być łatwo dostępny. W pobliżu miejsca pracy należy zainstalować gaśnicę proszkową lub CO₂.

Brak źródeł zapłonu

- Żadna osoba wykonująca przy układzie chłodniczym jakiegokolwiek prace wymagające odstąpienia przewodów rurowych nie może używać źródeł iskiei, które mogłyby stanowić ryzyko pożaru lub wybuchu. Wszystkie możliwe źródła iskiei, w tym papierosy, powinny znajdować się wystarczająco daleko od miejsca instalacji, prac naprawczych, dotyczących wymiany lub usuwania elementów, jeśli czynnik chłodniczy może zostać uwolniony do otaczającej przestrzeni. Przed rozpoczęciem prac należy sprawdzić obszar wokół urządzenia, aby upewnić się, że nie stwarza on ryzyka pożaru ani iskiei. Należy wywiesić tabliczki „Zakaz palenia”.

Wentylacja obszaru

- Przed uzyskaniem dostępu do urządzenia w celu przeprowadzenia jakichkolwiek prac konserwacyjnych należy upewnić się, że obszar jest otwarty i dobrze wentylowany. Podczas konserwacji urządzenia należy zapewnić odpowiednią wentylację, umożliwiającą bezpieczne rozproszenie czynnika chłodniczego, który może zostać uwolniony do atmosfery.

Weryfikacja wyposażenia chłodniczego

- Należy zawsze przestrzegać zaleceń producenta dotyczących utrzymania i konserwacji. Podczas wymiany elementów elektrycznych należy używać wyłącznie elementów tego samego typu i klasy, które są zalecane/zatwierdzone przez producenta. W razie wątpliwości skonsultuj się z serwisem technicznym

producenta.

- W przypadku instalacji wykorzystujących łatwopalne czynniki chłodnicze należy przeprowadzić następujące czynności kontrolne:
 - oznaczenia na urządzeniu muszą zawsze pozostawać widoczne i czytelne, wszelkie nieczytelne oznaczenia lub sygnały muszą zostać poprawione;
 - rury lub elementy chłodnicze muszą zostać zainstalowane w miejscu, w którym jest mało prawdopodobne, aby były narażone na działanie jakiegokolwiek substancji, która mogłaby powodować korozję elementów zawierających czynnik chłodniczy, chyba że elementy te są wykonane z materiałów odpornych na korozję lub odpowiednio zabezpieczonych przed korozją.

Kontrola komponentów elektrycznych

- Naprawa i konserwacja części elektrycznych musi obejmować wstępne kontrole bezpieczeństwa i procedury kontroli części. W razie wystąpienia awarii, która mogłaby zagrozić bezpieczeństwu, do obwodu nie należy podłączać zasilania, dopóki nie zostanie ona całkowicie usunięta. Jeśli awaria nie może zostać naprawiona natychmiast, ale prace muszą być kontynuowane, należy znaleźć odpowiednie rozwiązania tymczasowe. Musi to zostać zgłoszone właścicielowi sprzętu, aby wszyscy uczestnicy zostali odpowiednio powiadomieni.
- Naprawa i konserwacja elementów elektrycznych musi obejmować następujące wstępne kontrole bezpieczeństwa:
 - kondensatory są rozładowane: niezbędne prace muszą zostać przeprowadzone w sposób bezpieczny, aby uniknąć jakiegokolwiek iskrzenia;
 - podczas ładowania, regeneracji lub płukania systemu, żadne elementy elektryczne ani zasilane przewody nie mogą być odstąpione;
 - uziemienie musi być zapewnione w sposób ciągły.

Naprawa izolowanych elementów

- Podczas naprawy izolowanych elementów, całość zasilania elektrycznego musi zostać odłączona od sprzętu, na którym wykonywane są prace, przed zdjęciem osłony izolacyjnej itp. Jeśli sprzęt musi być bezwzględnie zasilany energią elektryczną podczas konserwacji, stale działające urządzenie wykrywające upływ prądu musi zostać umieszczone w najbardziej krytycznym punkcie, aby zasygnalizować każdą potencjalnie niebezpieczną sytuację.
- Szczególną uwagę należy zwrócić na punkty wymienione poniżej, aby podczas prac przy podzespołach elektrycznych obudowa nie została uszkodzona w sposób mający wpływ na poziom ochrony. Musi to obejmować uszkodzone kable, nadmierną liczbę połączeń, zaciski niezgodne z oryginalnymi właściwościami, uszkodzone uszczelki, nieprawidłowy montaż dławików kablowych itp.
- Upewnić się, że urządzenie jest prawidłowo zamocowane.
- Upewnić się, że złącza lub materiały izolacyjne nie uległy pogorszeniu do punktu, w którym nie zapobiegają już przedostaniu się łatwopalnej atmosfery do obwodu. Części zamienne muszą być zgodne ze specyfikacjami producenta.

Naprawa elementów iskrobezpiecznych

- Nie przykładać do obwodu żadnego ładunku indukcyjnego ani stałej pojemności elektrycznej bez wcześniejszego upewnienia się, że nie przekraczają one napięcia i natężenia dopuszczalnego dla używanego sprzętu.
- Normalnie bezpieczne komponenty są jedynymi elementami, na których można pracować w obecności atmosfery łatwopalnej, z doprowadzonym zasilaniem. Urządzenie testowe musi należeć do odpowiedniej klasy.
- Komponenty mogą być wymieniane tylko na części określone przez producenta. Inne części mogą zapalić czynnik chłodniczy w atmosferze z powodu wycieku.

Okablowanie

- Sprawdzić okablowanie pod kątem zużycia, korozji, nadmiernego ciśnienia, wibracji, ostrych krawędzi lub jakiegokolwiek innego negatywnego wpływu na środowisko. Kontrola musi również obejmować skutki starzenia się lub ciągłych wibracji powodowanych przez źródła drgań takie, jak sprężarki lub wentylatory.

Wykrywanie łatwopalnego czynnika chłodniczego

- W żadnym wypadku nie należy wykorzystywać potencjalnych źródeł iskiei do wyszukiwania lub wykrywania wycieków czynnika chłodniczego. Nie należy używać lampy halogenkowej (lub jakiegokolwiek innego detektora wykorzystującego otwarty płomień).
- Następujące metody wykrywania wycieków są uważane za dopuszczalne dla wszystkich systemów chłodniczych.
- Do wykrywania wycieków czynnika chłodniczego można używać elektronicznych detektorów szczelności, ale w przypadku czynnika łatwopalnego ich czułość może być nieodpowiednia lub wymagać ponownej kalibracji. (Sprzęt do wykrywania powinien być kalibrowany w miejscu wolnym od czynników chłodniczych.) Upewnij się, że detektor nie jest potencjalnym źródłem iskrzenia i jest odpowiedni dla używanego czynnika chłodniczego. Sprzęt do wykrywania wycieków powinien być ustawiony na określony procent dolnej granicy palności czynnika chłodniczego i skalibrowany na podstawie zastosowanego czynnika chłodniczego. Właściwy procent gazu (maksymalnie 25%) musi zostać potwierdzony.
- Płyny do wykrywania wycieków są również odpowiednie do stosowania w większości czynników chłodniczych, ale należy unikać stosowania detergentów zawierających chlor, ponieważ mogą one reagować z czynnikiem chłodniczym i powodować korozję miedzianych przewodów rurowych.
- W przypadku podejrzenia wycieku należy usunąć/zgasić wszystkie otwarte płomienie.
- Jeśli wykryty zostanie wyciek czynnika chłodniczego i wymaga on lutowania, cały czynnik chłodniczy należy usunąć z układu lub odizolować (przez zawory odcinające) w części układu znajdującej się w dużej odległości od wycieku.

Usuwanie i odprowadzanie

- Podczas uzyskiwania dostępu do obwodu chłodniczego w celu naprawy lub z jakiegokolwiek innego powodu należy stosować konwencjonalne obowiązujące procedury. Jednak w przypadku łatwopalnych czynników chłodniczych należy bezwzględnie przestrzegać zaleceń, ponieważ konieczne jest uwzględnienie ich łatwopalności. Należy postępować zgodnie z następującą procedurą:
 - usunąć czynnik chłodniczy;
 - oczyścić obwód gazem obojętnym (opcjonalnie dla A2L);
 - odprowadzić (opcjonalnie dla A2L);
 - oczyścić gazem obojętnym (opcjonalnie dla A2L);
 - otworzyć obwód poprzez wycięcie lub lutowanie.
- Czynnik chłodniczy należy zebrać do odpowiednich butli przeznaczonych do jego odzyskiwania. W przypadku urządzeń zawierających łatwopalne czynniki chłodnicze inne niż czynniki chłodnicze A2L, układ należy przedmuchać azotem beztlenowym, aby urządzenie było odpowiednio przygotowane do przyjmowania łatwopalnych czynników chłodniczych. Może być konieczne powtórzenie tego procesu kilka razy. Do czyszczenia układów chłodniczych nie należy używać sprężonego powietrza lub tlenu.

Procedury wymiany

- Upewnij się, że wylot pompy próżniowej nie znajduje się w pobliżu potencjalnego źródła iskiei i że dostępna jest wentylacja.
 - Oprócz konwencjonalnych procedur ładowania muszą być spełnione wymagania określone poniżej.
- Upewnij się, że podczas korzystania ze sprzętu do ładowania nie jest możliwe zanieczyszczenie krzyżowe pomiędzy różnymi czynnikami chłodniczymi. Węże lub przewody powinny być jak najkrótsze, aby zmniejszyć ilość zawartego w nich czynnika chłodniczego.
 - Butle należy przechowywać w odpowiedniej pozycji, zgodnie z instrukcją.
 - Upewnij się, że układ chłodniczy jest uziemiony przed napełnieniem układu czynnikiem chłodniczym.
 - Po naładowaniu należy oznakować system (jeśli nie zostało to zrobione wcześniej).
 - Zachowaj szczególną ostrożność, aby nie przepętnić układu chłodzenia.
- Przed ponownym naładowaniem układu należy przeprowadzić próbę ciśnienia przy użyciu odpowiedniego gazu płuczącego. System należy sprawdzić pod kątem wycieków pod koniec ładowania, ale przed uruchomieniem. Przed opuszczeniem miejsca prac należy wykonać kolejną próbę szczelności.

Rozbiórka

- Przed przeprowadzeniem procedury demontażu ważne jest, aby technik zapoznał się z urządzeniem i jego właściwościami. Szczególnie zaleca się ostrożne odzyskiwanie wszystkich czynników chłodniczych. Przed wykonaniem tego zadania należy pobrać próbkę oleju i czynnika chłodniczego, jeżeli przed ponownym

użyciem odzyskanego czynnika chłodniczego konieczne jest przeprowadzenie testu. Przed rozpoczęciem zadania należy sprawdzić obecność zasilania elektrycznego.

1. Zapoznać się ze sprzętem i zasadami jego obsługi.
2. Odizolować elektrycznie system.
3. Przed rozpoczęciem procedury sprawdź następujące punkty:
 - czy w razie potrzeby dostępny jest sprzęt mechaniczny do przenoszenia butli z czynnikiem chłodniczym;
 - wszystkie środki ochrony indywidualnej są dostępne i używane prawidłowo;
 - proces odzyskiwania jest przez cały czas nadzorowany przez kompetentną osobę;
 - sprzęt i butle do odzyskiwania są zgodne z odpowiednimi normami.
1. W miarę możliwości należy opróżnić układ chłodniczy.
2. Jeśli nie można wytworzyć próżni, zainstaluj kolektor, aby czynnik chłodniczy mógł zostać usunięty z różnych miejsc w systemie.
3. Upewnij się, że butla znajduje się na wadze przed rozpoczęciem operacji odzyskiwania.
4. Uruchom maszynę do odzyskiwania i używaj jej zgodnie z instrukcjami.
5. Nie przepełniaj butli (nie więcej niż 80% objętości ładunku płynu).
6. Nie przekraczaj maksymalnego ciśnienia roboczego butli, nawet tymczasowo.
7. Po prawidłowym napełnieniu butli i zakończeniu procesu należy upewnić się, że butle i sprzęt zostały niezwłocznie usunięte z miejsca prac oraz że alternatywne zawory odcinające na urządzeniach są zamknięte.
8. Odzyskany czynnik chłodniczy nie może być załadowany do żadnego innego układu chłodniczego, chyba że został wyczyszczony i sprawdzony.

ROZWIĄZYWANIE PROBLEMÓW

- Wszelkie prace dotyczące lutowania muszą być wykonywane wyłącznie przez wykwalifikowanych pracowników.
- Rury mogą być wymieniane wyłącznie na rury miedziane zgodne z normą NF EN 12735-1.
- Wykrywanie nieszczelności poprzez przeprowadzenie próby ciśnieniowej:
 - nie wolno używać tlenu ani suchego powietrza, ponieważ powoduje to ryzyko pożaru lub wybuchu,
 - należy zastosować odwodniony azot lub mieszaninę azotu i czynnika chłodniczego wskazaną na tabliczce znamionowej,
 - ciśnienie próbne po stronie niskiego i wysokiego ciśnienia nie może przekraczać 42 barów, jeśli urządzenie jest wyposażone w opcję manometru.
- W przypadku rur obwodu wysokiego ciśnienia wykonanego z rur miedzianych o średnicy = lub $> 1\frac{5}{8}$, od dostawcy wymagane będzie przedstawienie świadectwa, o którym mowa w §2.1 normy NF EN 10204 i które musi być przechowywane w dokumentacji technicznej instalacji.
- Informacje techniczne dotyczące wymagań bezpieczeństwa określonych w poszczególnych obowiązujących dyrektywach zostały podane na tabliczce znamionowej. Wszystkie te informacje powinny zostać zapisane w instrukcjach instalacji urządzenia, które muszą znajdować się w dokumentacji technicznej instalacji: model, kod, numer seryjny, maksymalna i minimalna wartość ciśnienia, ciśnienie znamionowe, rok produkcji, oznakowanie CE, adres producenta, czynnik chłodniczy i jego ciężar, parametry elektryczne, parametry termodynamiczne i akustyczne.

ETYKIETOWANIE

- Na urządzeniach musi zostać umieszczona etykieta zawierająca informację, że zostały wycofane z eksploatacji i że czynnik chłodniczy został spuszczonej.
- Etykieta musi być opatrzona datą i podpisana.
- W przypadku urządzeń zawierających łatwopalny czynnik chłodniczy upewnij się, że na urządzeniu są umieszczone etykiety wskazujące, że zawiera on łatwopalny czynnik chłodniczy.

ODZYSKIWANIE

- Podczas spuszczenia czynnika chłodniczego w celu konserwacji lub wycofania z eksploatacji zalecane

jest przestrzeganie dobrych praktyk, zapewniających bezpieczne odprowadzenie całości czynnika chłodniczego.

- Przenosząc czynnik chłodniczy do butli, należy pamiętać o użyciu butli przeznaczonej do odzyskiwania, odpowiedniej dla czynnika chłodniczego. Należy koniecznie przewidzieć odpowiednią liczbę butli, aby odprowadzić całość płynu. Wszystkie stosowane butle muszą być przeznaczone do odzyskiwania czynnika chłodniczego i oznakowane dla tego konkretnego czynnika chłodniczego. Butle muszą być wyposażone w zawór próżniowy i zawory odcinające w dobrym stanie technicznym. Puste butle do odzyskiwania muszą być odpowiednio odprowadzane ewakuowane i w miarę możliwości schłodzone przed odzyskiwaniem.
- Sprzęt do odzyskiwania musi być w dobrym stanie, instrukcje obsługi sprzętu muszą znajdować się w pobliżu i sprzęt musi być odpowiedni dla danego czynnika chłodniczego, w tym, w stosownych przypadkach, łatwopalnego czynnika chłodniczego. Ponadto musi być dostępny zestaw skalibrowanych wag w dobrym stanie technicznym. Węże muszą być kompletne, nie mogą mieć wycieków lub rozłączone złącza i muszą znajdować się w dobrym stanie. Przed użyciem urządzenia do odzyskiwania sprawdź, czy jest ono w dobrym stanie technicznym, było dobrze utrzymywane i czy powiązane elementy elektryczne są uszczelnione, aby zapobiec możliwości wybuchu pożaru w przypadku uwolnienia czynnika chłodniczego. W razie jakichkolwiek wątpliwości należy zwrócić się do producenta.
- Odzyskany czynnik chłodniczy musi zostać zwrócony dostawcy czynnika chłodniczego w butle do odzyskiwania, wraz z dowodem przekazania odpadów. Nie wolno mieszać różnych czynników chłodniczych w jednostkach przeznaczonych do ich odzyskiwania, a w szczególności w butlach.
- Jeśli sprężarka zostanie usunięta lub olej zostanie spuszczonej ze sprężarki, sprawdź, czy czynnik chłodniczy został usunięty, aby zapobiec jego zmieszaniu ze smarem. Proces opróżniania należy przeprowadzić przed zwróceniem sprężarki do dostawcy. Do przyspieszenia tego procesu można zastosować wyłącznie elektryczne ogrzewanie korpusu sprężarki. Kiedy opróżniane są wszystkie ciecze znajdujące się w systemie, operacja ta musi zostać przeprowadzona całkowicie bezpiecznie.



Recykling

Ten symbol, wymagany przez europejską dyrektywę WEEE 2012/19/UE (dyrektywa w sprawie zużytego sprzętu elektrycznego i elektronicznego) oznacza, że urządzenia nie należy wyrzucać do kosza. Musi ono zostać przekazane do selektywnej zbiórki odpadów w celu ponownego użycia, recyklingu lub odzysku. Jeśli urządzenie zawiera substancje potencjalnie niebezpieczne dla środowiska, zostaną one wyeliminowane lub zneutralizowane. Należy uzyskać odpowiednie informacje dotyczące recyklingu u sprzedawcy.

MINI HEATER

User and Service manual

INDEX

1. Specifications
2. Transport advertising
3. Dimension
4. Installation and connection
5. Electrical wiring
6. Display controller operation
7. Troubleshooting
8. Exploded diagram
9. Maintenance
10. Accessories



ATTENTION: This manual includes all the necessary information with the use and the installation of your heat pump.

The installer must read the manual and follow the instructions of implementation and maintenance.

The installer is responsible for the installation of the product and should follow all the instructions of the manufacturer and the regulations in application. Incorrect installation will invalidate the guarantee.

The manufacturer declines any respectability for the damage caused by any third party, object ingress and of the errors due to the installation that do not follow the manual guidelines. Any use that is not as intended by the manufacturer will invalidate the guarantee.

Thank you for using Mini Heater for your pool heating, it will heat your pool water and keep the constant temperature when the air ambient temperature is above 12 °C

1. Specifications

1.1 Technical data pool heat pumps

Item	HPM20	HPM30	HPM40
Code	71245	71258	71606
* Heating Capacity at Air 28 °C, Water 28 °C, Humidity 80%			
Heating Capacity (kW)	2.5	4.2	5.5
Power Consumption (kW)	0.59	1	1.31
COP	4.2	4.2	4.2
* Heating Capacity at Air 15 °C, Water 26 °C, Humidity 70%			
Heating Capacity (kW)	1.9	3.2	4.2
Power Consumption (kW)	0.56	0.91	1.2
COP	3.4	3.5	3.5
* General data			
Voltage (V)	220-240V~50Hz/1PH		
Rated Current (A)	2.6	4.4	5.8
Fuse Current (A)	7.5	10	16
Maximum Pool Volume**(m ³)	<20	<30	<40
Minimum and recommended water flow (m ³ /h)	2	2	2.5
Maximum/minimum operating pressure(Mpa)	4.2/0.05		
Water Pressure Drop (Kpa)	15	15	15
Heat exchanger	Titanium exchanger in PVC		
Protection rating	IPX4		
Water Pipe in-out (mm)	38/32		
Noise Level (10m) dB(A)	48	46	46
Noise Level (1m)	57	55	55
Refrigerant Type (R32)	160	290	400
* Dimension/ Weight			
Net Weight (kg)	18	26	30
Gross Weight (kg)	19	28.5	33
Net Dimension (mm)	313*364.5*428.5	435*436.5*511.5	515*487*541.5
Packing Dimension (mm)	380*455*500	496*525*575	570*570*605

* Above data are subjects to modification without notice.

** Check our packaging or website for more details.

2. Transport advertising

2.1 Delivery of the packaging



For the transportation, the heat pumps are fixed on the pallet and cover with a cardboard box.

To preserve from any damage, the heat pump must be transferred in its package.

It is the responsibility of the addressee to notify of any damage incurred during delivery within 48 hours. No responsibility can be taken once the unit has been signed for.

2.2 Stock advertising



* The warehouse should be bright, spacious, open, well ventilated, have ventilation equipment and no fire source.

* Heat pump must be stored and transfer in vertical position in its original packaging. If it is not the case, it cannot be operated until a minimum period of 24H has passed before the unit can have the electrical power turned on.

FORBIDDEN



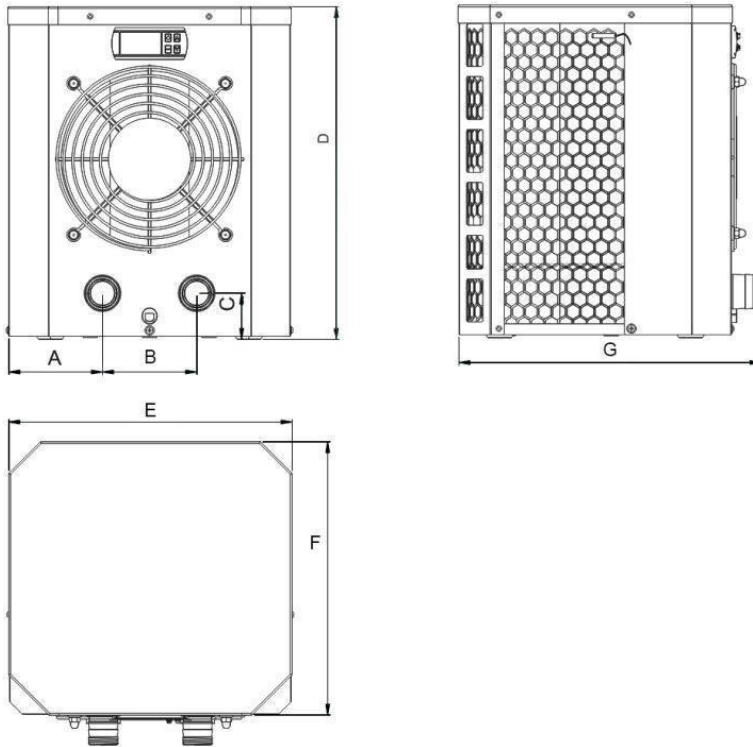
2.3 Transfer to the final position

* During the unpacking of the product and the transfer from the pallet to the final place of installation, it is necessary to maintain the heat pump in a vertical position.

* Smoking and the use of flames are prohibited near R32 machine.

Water connection are not to be used as load bearing handles. The manufacturer would not take the responsibility in case of damage to the water pipes.

3. Dimension



Item / (mm)	A	B	C	D	E	F	G
HPM20	90.4	130	50	428.5	313	300	364.5
HPM30	116.5	200	50	511.5	435	365	436.5
HPM40	134.6	260	50	541.5	515	421	487

4. Installation and connection

Attention:

Please observe the following rules when installing the heat pump:

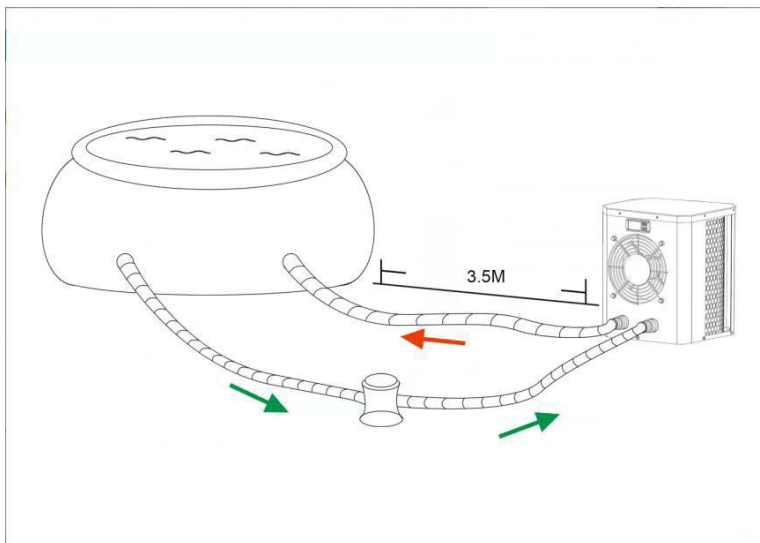
1. Any addition of chemicals must take place in the piping located **downstream** from the heat pump.
2. Always hold the heat pump upright. If the unit has been held at an angle, wait at least 24 hours before applying main power to the heat pump.

4.1 Heat pump location

The unit will work properly in any desired location as long as the following three items are present:

- 1. Fresh air** – **2. Electricity** – **3. Swimming pool filters**

The unit may be installed in virtually any **outdoor** location as long as the specified minimum distances to other objects are maintained (see drawing below). Please consult your installer for installation with an indoor pool. Installation in a windy location does not present any problem at all.



ATTENTION: Never install the unit in a closed room with a limited air volume in which the air expelled from the unit will be reused, or close to shrubbery that could block the air inlet. Such locations impair the continuous supply of fresh air, resulting in reduced efficiency and possibly preventing sufficient heat output.

4.2 Initial operation

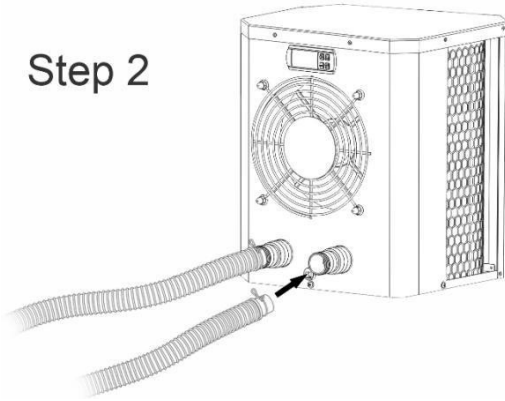
Note: In order to heat the water in the pool (or hot tub), the filter pump must be running so as to circulate the water through the heat pump. If the water is not flowing through, the heat pump will trigger the overheat protection and cause a shut down.

4.3 Hose connection

Step 1



Step 2



Note:

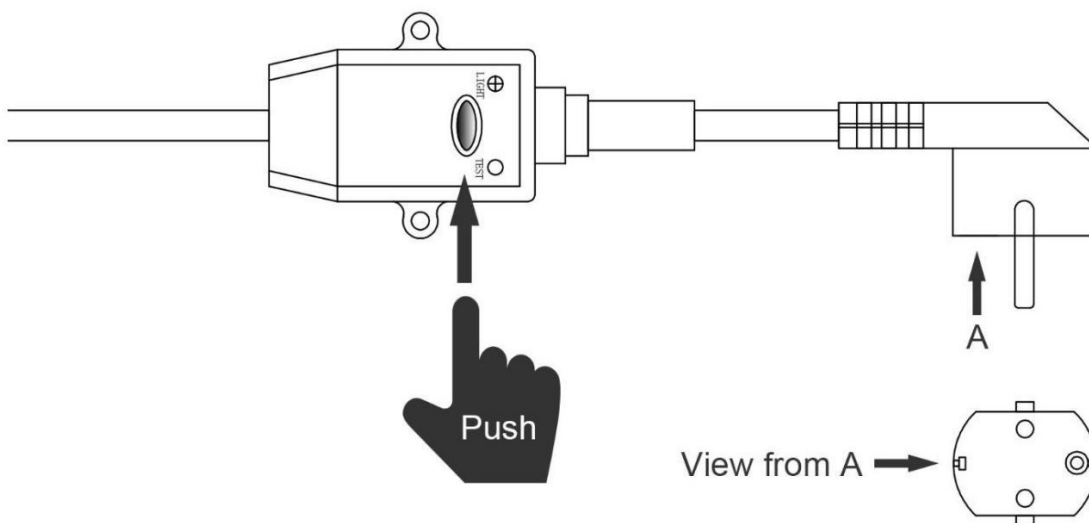
The factory supplies only the heat pump. All other components, including two hoses, must be provided by the user or the installer.

4.4 Electrical connection

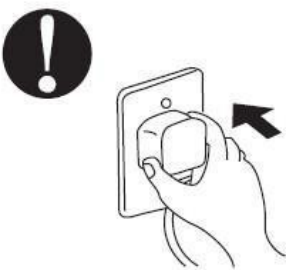
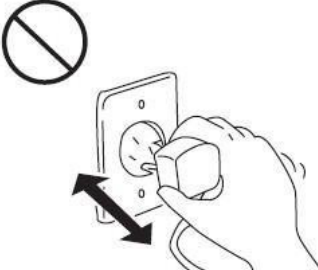
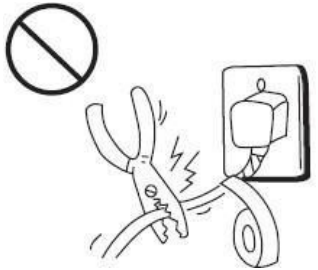
Before connecting the unit, verify that the supply voltage matches the operating voltage of the heat pump.

The RCD plug has been included with power cable, which can offer electrical protection.


The test button is for checking the capability of the circuit breaker.



Attention:

<p>Ensure the power plug is secure</p> <p>If the plug is not secure, it may cause an electric shock, over-heating or fire</p> 	<p>Never pull out the power plug during operation</p> <p>Otherwise, it may cause an electric shock or a fire due to over-heating.</p> 	<p>Never use damaged electric wires or unspecified electric wires.</p> <p>Otherwise it may cause an electric shock or a fire.</p> 
--	--	--

After all connections have been made and checked, carry out the following procedure:

1. Switch on the filter pump. Check for leaks and verify that water is flowing from and to the swimming pool.
2. Connect power to the heat pump and press the On/Off button  on the electronic control panel. The unit will start up after the time delay expires (see below).
3. After a few minutes, check whether the air blowing out of the unit is cooler.
4. When the filter pump is turned off, the unit should also turn off automatically.
5. Allow the heat pump and the filter pump to run 24 hours a day until the desired water temperature is reached. The heat pump will stop running at this point. After this, it will restart automatically (as long as the filter pump is running) whenever the swimming pool water temperature drops 2 degrees below the set temperature (for example, if you set the temperature 28 °C, the heat pump will stop when the temperature at 28°C. While it will restart when the temperature of the water down to 26°C).

Depending on the initial temperature of the water in the swimming pool and the air temperature, it may take several days to heat the water to the desired temperature. A good swimming pool cover can dramatically reduce the required length of time.

Time delay - The heat pump has a built-in 3-minute start-up delay to protect the circuitry and avoid excessive electrical contactor wear. The unit will restart automatically after this time delay expires. Even a brief power interruption will trigger this time delay and prevent the unit from restarting immediately. Additional power interruptions during this delay period do not affect the 3-minute duration of the delay.

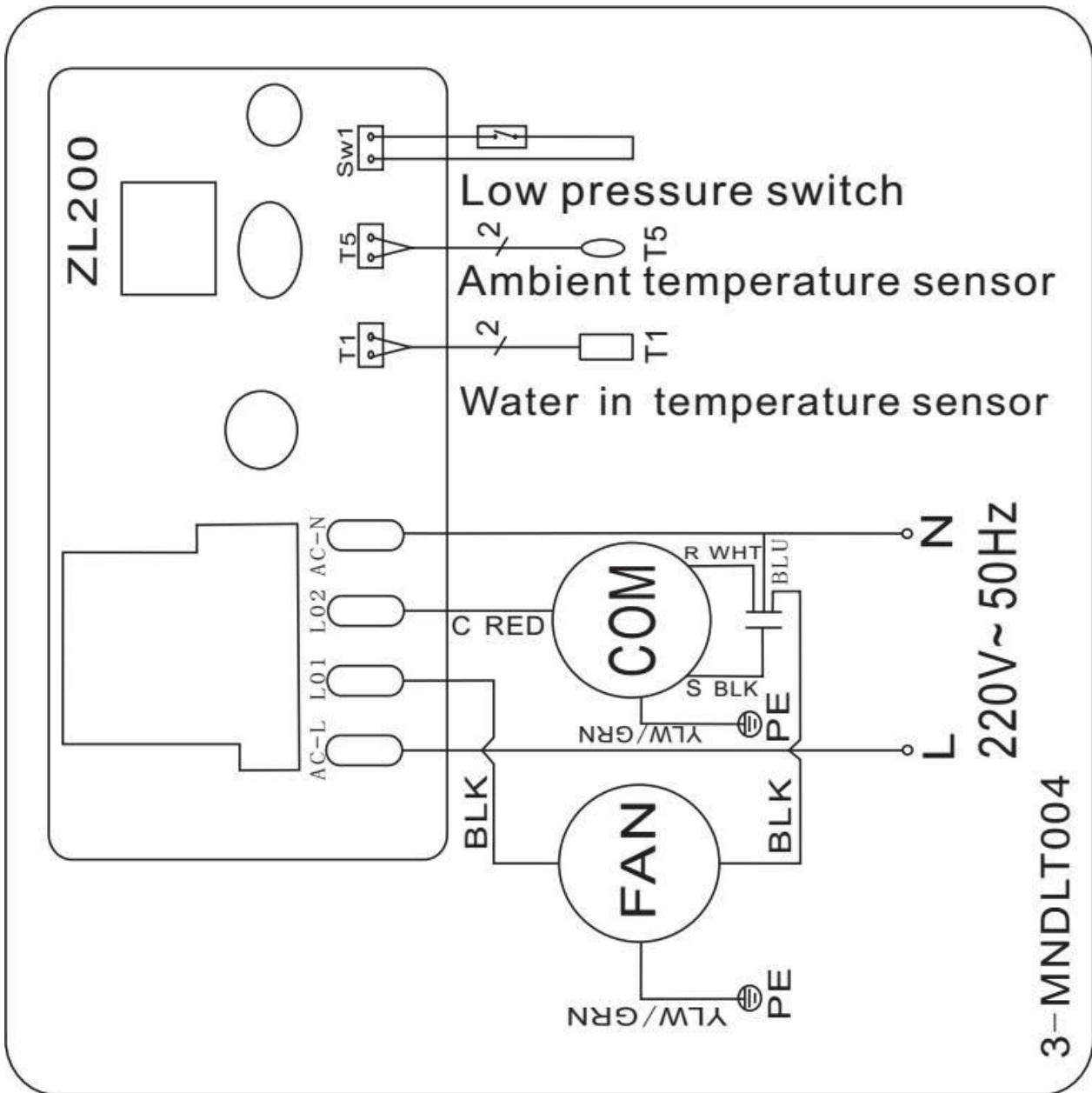
4.5 Condensation

The air drawn into the heat pump is cooled by the operation of the heat pump for heating the pool water, which may cause condensation on the fins of the evaporator. The amount of condensation may be as much as several liters per hour at high humidity. The condensate will drain from the bottom of the heat pump. This is sometimes mistakenly regarded as a water leak. .

5. Electrical wiring

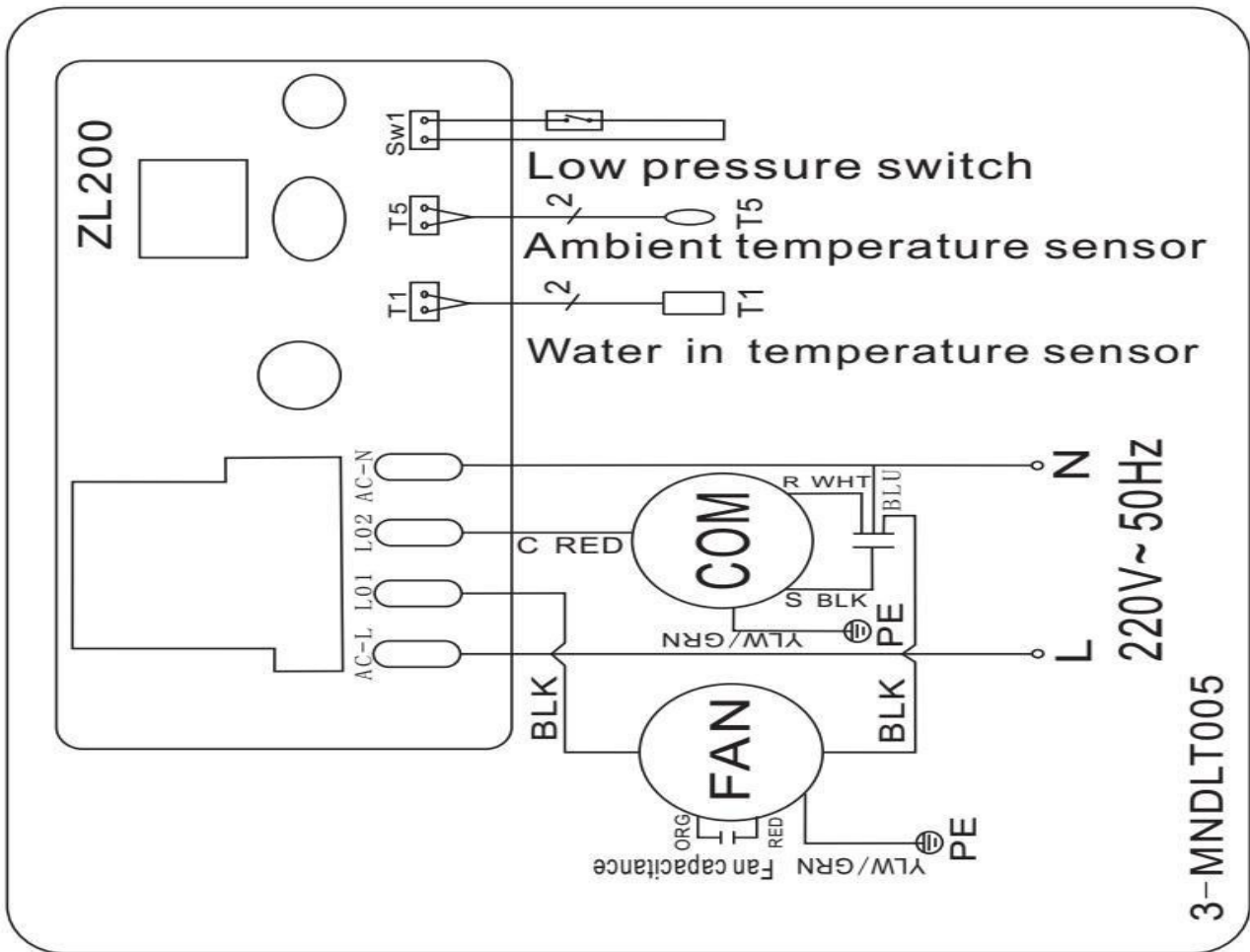
5.1 Swimming pool heat pump wiring diagram

Code; HPM20



5.2 Swimming pool heat pump wiring diagram

Code; HPM30/HPM40



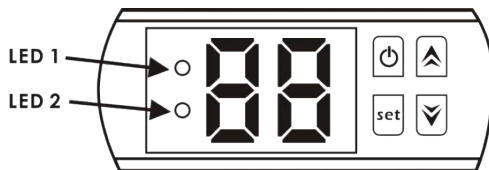
NOTE:

- (1) Above electrical wiring diagram only for your reference, please subject machine posted the wiring diagram.
- (2) The swimming pool heat pump must be connected ground wire, although the unit heat exchanger is electrically isolated from the rest of the unit. Grounding the unit is still required to protect you against short circuits inside the unit. Bonding is also required.

Disconnect: A means to disconnect should be located within sight of and readily accessible from the unit (circuit breaker, fused or un-fused switch). This is common practice on commercial and residential heat pumps. It prevents remotely-energizing unattended equipment and permits turning off power at the unit while the unit is being serviced.

6. Display controller operation

6.1 The buttons of LED wire controller





When the heat pump is running, the LED display shows the water inlet temperature.

LED 1 is on when compressor is running.



LED 2 is on if the unit is in fault.



6.2 Turn on/off the heat pump

Press  to turn on the heat pump, the LED display shows the water setting temperature for 5s, then show water inlet temperature.

Press  again to turn off the heat pump.

6.3 Set the water temperature

Press  or  directly to adjust water temperature (range: 10—42°C)

Press  or  to save the setting then exit.

NOTE: the heat pump can run only if the water circle/filtration system is running.

6.4 Parameter checking

Press , it will enter the parameter checking, Press  or  to choose the code d0/d1, press  again, it will show the measured value. Lastly press  to exit.

Code	Parameter
d0	Ambient temperature
d1	Water temperature

Notice: It can't set the Parameter data by end-users.

7. Trouble shooting

7.1 Error code on the LEDcontroller

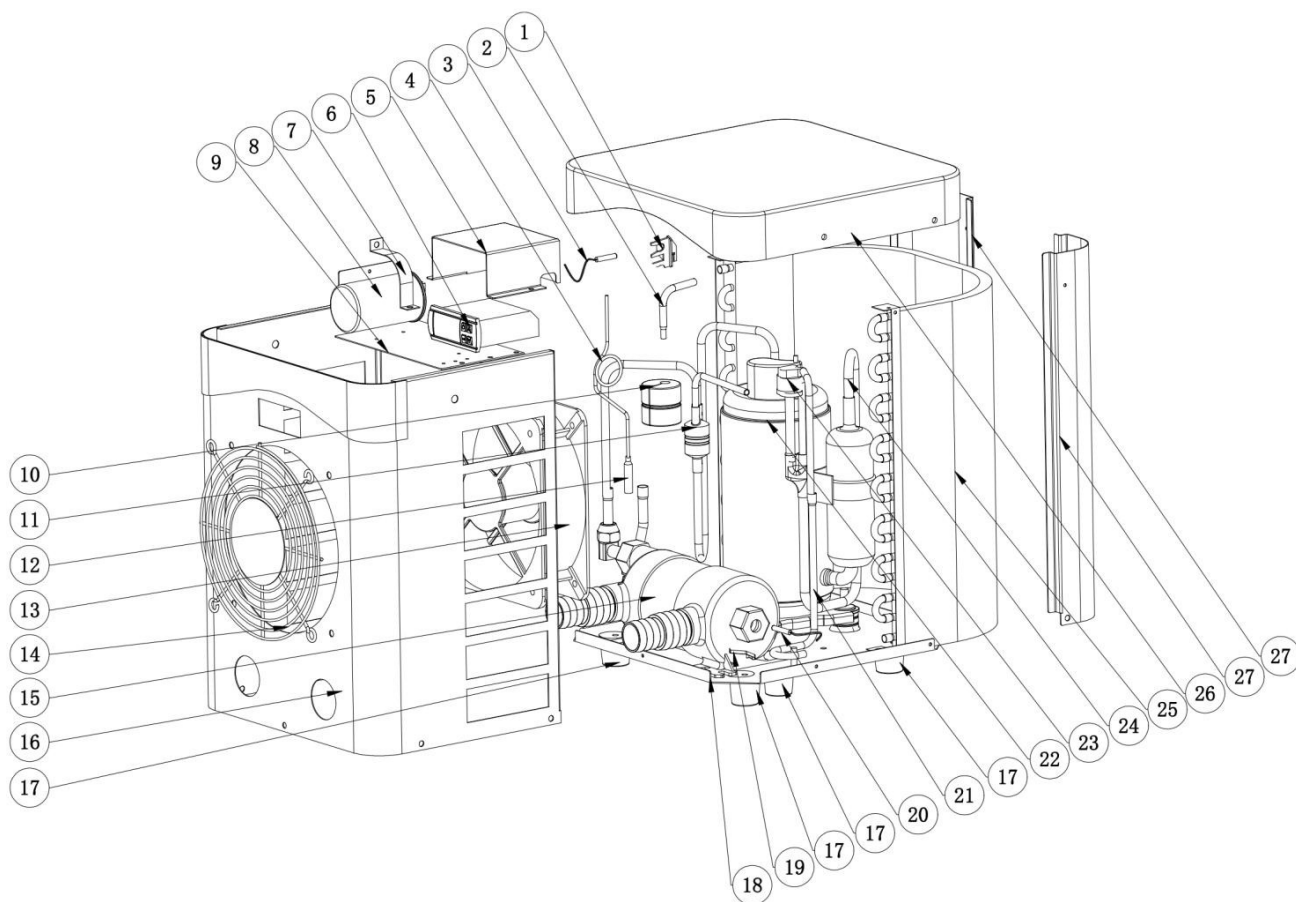
Malfunction	Code	Reason	Solution
Too low ambient temperature protection	P0	1. Ambient temperature is below 12 °C 2. Controller failure.	1. Wacht tot de omgevingstemperatuur is gestegen tot 13 °C. 2. Replace the new controller.
Water temperature sensor failure	P1	Water temperature sensor open circuit or short circuit.	Replace the new water temperature sensor.
Ambient temperature sensor failure	P2	Ambient temperature sensor open circuit or short circuit.	Replace the new ambient temperature sensor.
Low pressure protection	EL	1. Low pressure switch disconnected or failure. 2. Gas leakage.	It must be repaired by the professional technicians.

7.2 Other Malfunctions and Solutions (No display on LED wire controller)

Malfunctions	Observing	Reason	Solution
Heat pump is not running	LED wire controller no display.	No power supply.	Check cable and circuit breaker if it is connected.
	LED wire controller displays the actual water temperature.	1. Water temperature is reaching to setting value, HP under constant temperature status. 2. Heat pump just starts to run.	1. Verify water temperature setting. 2. Startup heat pump after a few minutes.
Short running	LED displays actual water temperature, no error code displays.	1. Fan NOT running. 2. Air ventilation is not enough. 3. Refrigerant is not enough.	1. Check the cable connections between the motor and fan, if necessary, it should be replaced. 2. Check the location of heat pump unit and eliminate all obstacles to make good air ventilation. 3. Replace or repair the heat pump unit. It must be repaired by a professional technician.
Water stains	Water stains on heat pump unit.	1. Concreting. 2. Water leakage.	1. No action. 2. Check the titanium heat exchanger carefully if it is any defect.

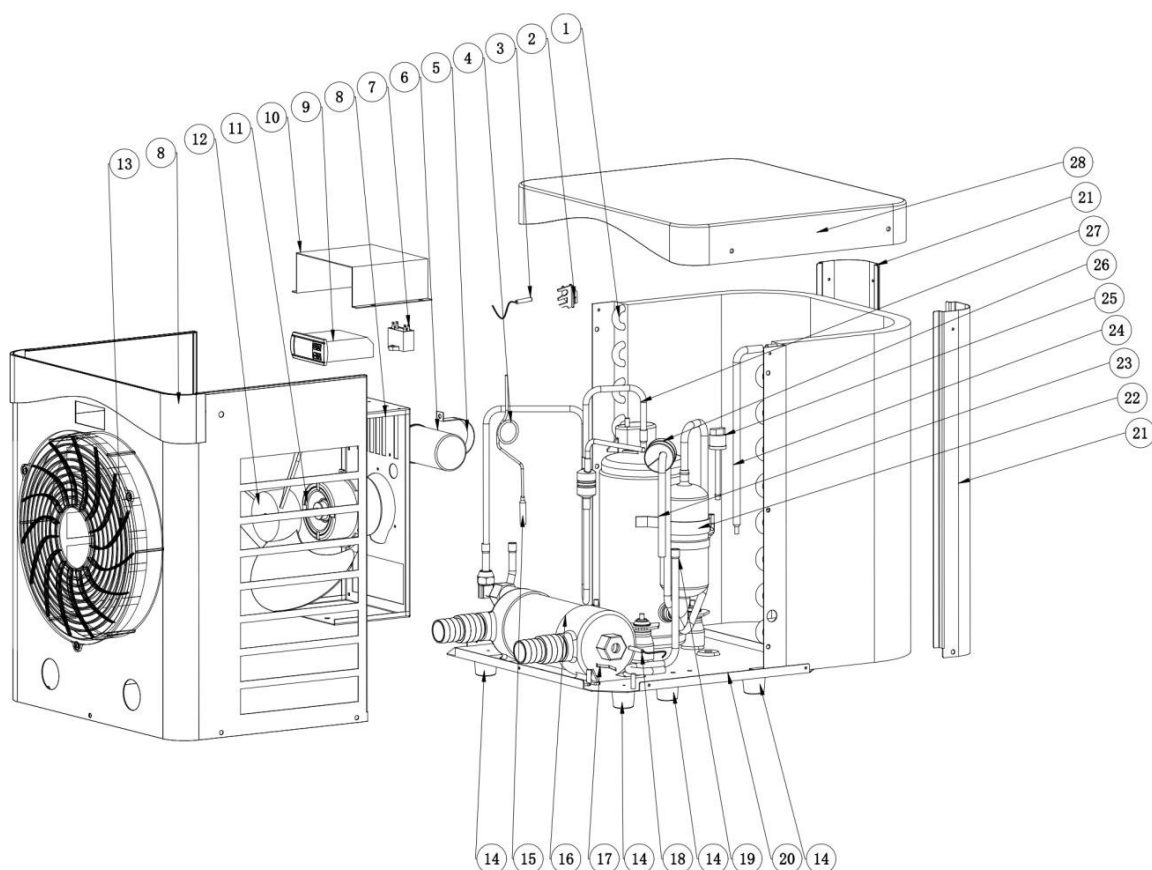
8. Exploded diagram

Unit: HPM20



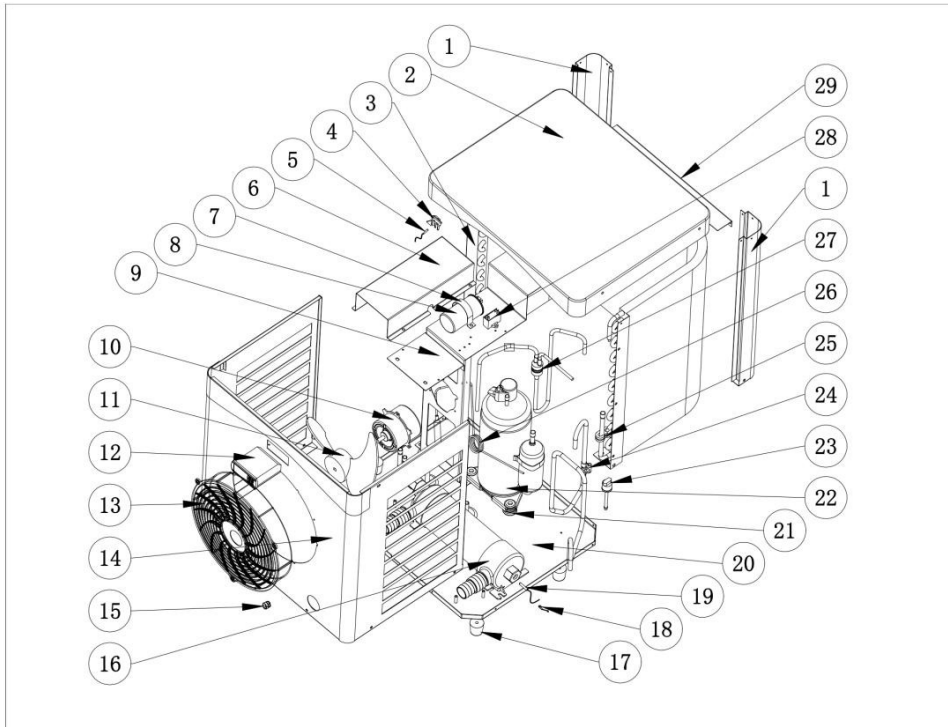
No	Spare parts	HPM20	No	Spare parts	HPM20
1	Ambient temp. Sensor Clip	102040891	15	Titanium exchanger	102040891
2	Copper pipe	108680047	16	Front panel	108680047
3	Ambient temp. Sensor T5	136020168	17	Rubber feet	136020168
4	Capillary	108680045	18	Base	108680045
5	Electric box	108010025	19	Clip	108010025
6	Controller	117110068	20	Water in temp. Sensor T1	117110068
7	Compressor capacitance Clip	113050123	21	Gas collecting pipe	113050123
8	Compressor capacitance	101000233	22	Compressor	101000233
9	Fan motor top plate	116000091	23	Low pressure switch	116000091
10	Shockproof rubber hammer	113010300	24	Exhaust pipe	113010300
11	Gas return piping	103000236	25	Evaporator	103000236
12	Copper pipe	133400001	26	Top cover	133400001
13	Fan motor assembly	108680046	27	Pillar	108680046
14	Front grill				

Unit: HPM30



No.	Spare parts	HPM30	No.	Spare parts	HPM30
1	Evaporator	103000237	15	Copper pipe	113100027
2	Ambient temp. Sensor Clip	133020010	16	Titanium exchanger	102040900
3	Ambient temp. Sensor T5	117110079	17	Clip	108010025
4	Capillary	109000038	18	Water in temp. Sensor T1	117110068
5	Compressor capacitance	108010006	19	Gas collecting pipe	113050125
6	Compressor capacitance	111000011	20	Base	108690033
7	Fan capacitor	111000034	21	Pillar	108690048
8	Front panel assemble	108690047	22	Compressor	101000232
9	Controller	117020189	23	Gas return piping	113020467
10	Electric box	108690015	24	Copper pipe	113420129
11	Fan motor	112000054	25	Low pressure switch	116000091
12	Fan blade	132000024	26	Shockproof rubber	136020026
13	Front grill	133020052	27	Exhaust pipe	113010351
14	Rubber feet	136020168	28	Top cover	133330004

Unit: HPM40



No.	Spare parts	HPM40	No.	Spare parts	HPM40
1	Pillar	108950009	16	Titanium exchanger	117020363
2	Top cover	133440001	17	Rubber feet	136020168
3	Evaporator	103000343	18	Exchanger temperature	108010025
4	Ambient temp. sensor	133020010	19	Water in temp. Sensor T1	117110068
5	Water in temp. Sensor T1	117110068	20	Base	108950007
6	Electric box	108950006	21	Compressor rubber feet	101000241
7	Compressor capacitance	108010006	22	Compressor	101000241
8	Compressor capacitance	111000012	23	Low pressure switch	116000091
9	Fan motor bracket	108950010	24	Gas return piping	113020602
10	Fan motor	112000079	25	Rubber block	136020018
11	Fan blade	132000024	26	Capillary	109000038
12	Controller	117020302	27	Exhaust pipe	113020624
13	Front grill	133020052	28	Fan capacitor	111000034
14	Front panel assemble	108950008	29	Motor bracket support	108950011
15	Power cord buckle	142000126			

9. Maintenance

- (1) You should check the water supply system regularly to avoid the air entering the system and creation of low water flow, because it would reduce the performance and reliability of HP unit.
- (2) Clean your pools and filtration system regularly to avoid the damage of the unit.
- (3) Please always empty the water in heat pump during winter time or when the ambient temperature drops below 0°C, or else the Titanium exchanger will be damaged because of being frozen, in such case, your warranty will be lost.
- (4) Check the water levels before the unit start after a long break in usage.
- (5) When the unit is running, there will be condensate water discharging from the bottom of the unit. This is normal.

10. Accessories



Draining jet,1 pcs



Water drainage pipe 1pcs

MINI HEATER

Manual de usuario y servicio

INDEX

1. Especificaciones
2. Consejos de transporte
3. Dimensiones
4. Instalación y conexión
5. Cableado eléctrico
6. Funcionamiento del controlador
7. Solución de problemas
8. Diagrama explosionado
9. Mantenimiento
10. Accesorios

Gracias por usar la bomba de calor de piscina Mini Heater para su calefacción de piscina, calentará su agua de la piscina y mantendrá la temperatura constante cuando la temperatura ambiente del aire sea superior 12°C.



ATENCIÓN: Este manual contiene toda la información necesaria.

- El instalador debe leer el manual y seguir atentamente las instrucciones de instalación y mantenimiento.
- El instalador es responsable de la instalación del producto y debe seguir todas las instrucciones del fabricante y las regulaciones que aplican. La instalación incorrecta respecto al manual implica la exclusión de toda la garantía.
- El fabricante declina cualquier responsabilidad por los daños causados a las personas, objetos y de los errores debidos a la instalación que desobedezcan la guía del manual. Cualquier uso que no esté definido por el fabricante en el manual, será considerado como peligroso.

1. Especificaciones

1.1 Datos técnicos Bombas de calor

Modelos	HPM20	HPM30	HPM40
Code	71245	71258	71606
* Capacidad de ait 28°C / agua 28°C, Humedad 80%			
Potencia de calentamiento (kW)	2.5	4.2	5.5
Consumo de potencia(kW)	0.59	1	1.31
COP	4.2	4.2	4.2
* Capacidad de ait 15°C / agua 26°C, Humedad 70%			
Potencia de calentamiento (kW)	1.9	3.2	4.2
Consumo de potencia(kW)	0.56	0.91	1.2
COP	3.4	3.5	3.5
* General data			
Voltaje(V)	220-240V~50Hz/1PH		
Corriente nominal(A)	2.6	4.4	5.8
Corriente del fusible(A)	7.5	10	16
Volumen de piscina maxima** (m ³)	<20	<30	<40
Caudal de agua mínimo y recomendado (m ³ /h)	2	2	2.5
Presión de trabajo máxima / mínima(Mpa)	4.2/0.05		
Presión del agua(Kpa)	15	15	15
Intercambiador de calor	Titanio en PVC		
Nivel de protección	IPX4		
Conexión de agua (mm)	38/32		
Nivel de ruido (10m) dB(A)	48	46	46
Nivel de ruido (1m) dB(A)	57	55	55
Refrigerante R32 (g)	160	290	400
* Dimensión y peso			
Peso neto (kg)	18	26	30
Peso bruto (kg)	19	28.5	33
Dimensión neta (mm)	313*364.5*428.5	435*436.5*511.5	515*487*541.5
Dimensión de embalaje (mm)	380*455*500	496*525*575	570*570*605

* La información anteriormente nombrada esta sujeta a modificaciones sin previo aviso.

**Ver más detalles en nuestro paquete o sitio web.

2. Consejos de Transporte

2.1 Entrega del embalaje



Para el transporte, las bombas de calor se fijan en un palet y se cubren con una caja de cartón.

Para evitar cualquier daño, la bomba de calor debe ser transferida con su embalaje..

Todo el material, incluso si el transporte es a cargo del proveedor, puede dañarse durante su envío al cliente y es responsabilidad del destinatario asegurarse de la correcta entrega.

El destinatario, si observa daños en el embalaje, debe escribir todas las reseñas a la recepción en el albarán de entrega del transportista. **NO OLVIDE CONFIRMAR POR CARTA REGISTRADA AL TRANSPORTADOR EN 48 HORAS**

2.2 Almacenaje.



* El almacén debe ser, espacioso, abierto, bien ventilado, con equipo de ventilación y sin fuente de fuego.

* La bomba de calor debe almacenarse y manipularse en posición vertical en su embalaje original. Si no es el caso, es necesario un período mínimo de 24 horas antes de conectar la bomba a la alimentación eléctrica.

PROHIBIDO



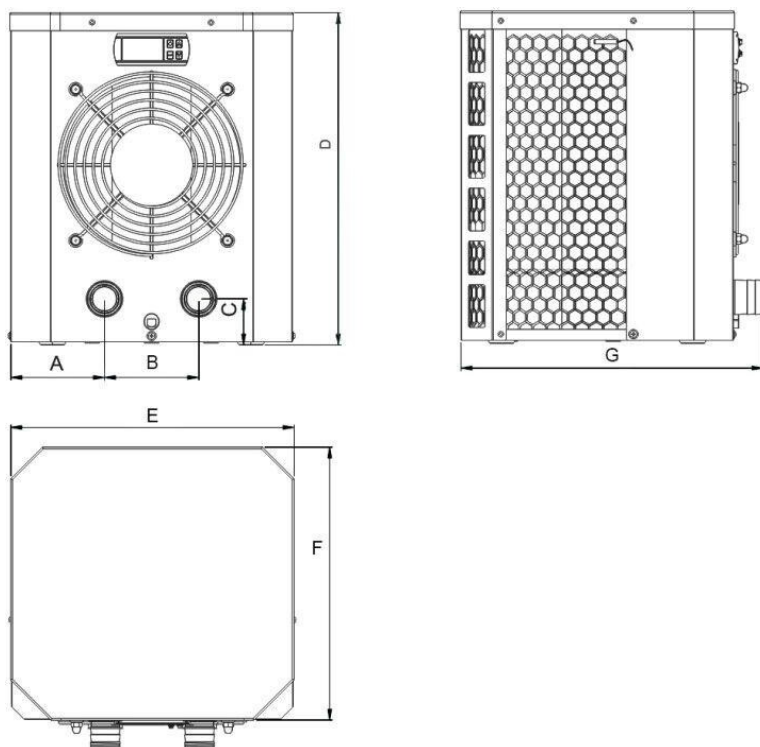
2.3 Traslado a la posición final.

* Durante el desembalaje del producto y el transporte desde su palet hasta el lugar final de instalación, es necesario mantener en posición vertical la bomba de calor.

* Está prohibido fumar y el uso de llamas cerca de la bomba de calor.

* La conexión de agua no garantiza la sujeción de la máquina, por el contrario, el peso de la bomba de calor pueda dañar las conexiones de agua ocasionando averías en el producto. El fabricante no se responsabiliza de los daños ocasionados por una incorrecta instalación.

3. Dimensiones



Modelo / (mm)	A	B	C	D	E	F	G
HPM20	90.4	130	50	428.5	313	300	364.5
HPM30	116.5	200	50	511.5	435	365	436.5
HPM40	134.6	260	50	541.5	515	421	487

4. Instalación y conexión

Atención:

Por favor, siga las instrucciones a la hora de instalar la bomba de calor:

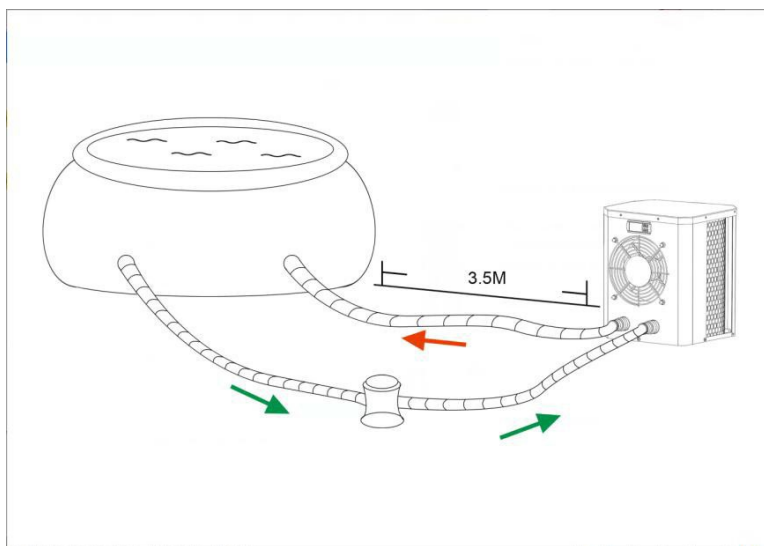
1. Cualquier adición de productos químicos debe tener lugar en la tubería situada aguas abajo de la bomba de calor.
2. Mantenga siempre la bomba de calor en posición vertical. Si la unidad se ha mantenido en ángulo, espere al menos 24 horas antes de encender la bomba de calor.

4.1 Ubicación de la bomba de calor

La unidad funcionará correctamente en cualquier ubicación deseada, siempre que estén presentes los siguientes tres elementos:

1. Aire fresco - 2. Electricidad - 3. Filtros de piscina

La unidad puede instalarse prácticamente en cualquier lugar exterior siempre que se mantengan las distancias mínimas especificadas a otros objetos (véase el dibujo a continuación). Por favor, consulte a su instalador para la instalación con una piscina cubierta. La instalación en un lugar ventoso no presenta ningún problema en absoluto, a diferencia de la situación con un calentador de gas (incluyendo problemas de llama piloto).



ATENCIÓN: La unidad no debe instalarse en una zona de aire de ventilación limitada, ni colocarse en un arbusto, que bloquearán la entrada de aire. Estas ubicaciones provocan que la unidad pueda recibir una fuente continua de aire fresco. Al cambio de las estaciones, también puede colmatarse la batería evaporadora con las hojas de los árboles, lo que reducirá su eficiencia y afectará a su vida útil.

4.2 Operación inicial

Nota: Para calentar el agua de la piscina (o jacuzzi), la bomba de filtrado debe estar funcionando para que el agua circule por la bomba de calor. Si el agua no fluye, la bomba de calor activará la protección contra sobrecalentamiento y provocará un apagado.

4.3 Conexión de manguera

Nota: La fábrica sólo proporciona la unidad de la bomba de calor. Los otros elementos que se muestran en la ilustración, son las partes necesarias para su instalación, son suministradas por los usuarios o las personas que realicen la instalación.

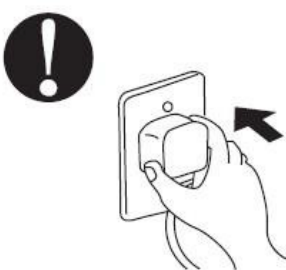
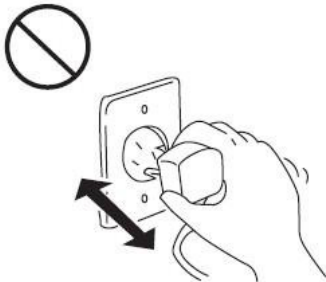
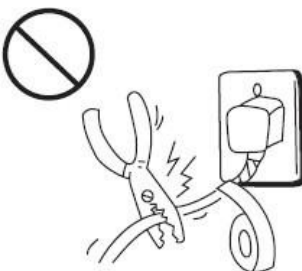
4.4 Conexión eléctrica

Antes de conectar la unidad, verifique que la tensión de alimentación coincida con la tensión de funcionamiento de la bomba de calor.

El enchufe RCD se ha incluido con el cable de alimentación, el cual puede ofrecer protección eléctrica.

El boton de prueba se utilizan para verificar el rendimiento del interruptor.

Atención:

<p>Asegúrese de que el enchufe de alimentación sea seguro</p> <p>Si el enchufe no es seguro, puede provocar una descarga eléctrica, sobrecalentamiento o incendio.</p> 	<p>Nunca desenchufe el cable de alimentación durante la operación</p> <p>De lo contrario, podría producirse una descarga eléctrica o un incendio debido al sobrecalentamiento.</p> 	<p>Nunca utilice cables eléctricos dañados o cables eléctricos no especificados.</p> <p>De lo contrario, podría provocar una descarga eléctrica o un incendio.</p> 
---	---	---

Una vez realizadas y comprobadas todas las conexiones, realice el siguiente procedimiento:

1. Encienda la bomba de filtración. Compruebe si hay fugas y compruebe que el agua fluye desde y hacia la piscina.
2. Conecte la alimentación a la bomba de calor y presione el botón de encendido / apagado en el panel de control electrónico. La unidad se pondrá en marcha después de la expiración del tiempo de espera (véase más adelante).
3. Después de unos minutos, compruebe si el aire que sopla fuera de la unidad está más frío.
4. Apegue la bomba de calor antes que la bomba de filtración.
5. Deje que la bomba de calor y la bomba del filtro funcionen 24 horas al día hasta que se alcance la temperatura deseada del agua. La bomba de calor dejará de funcionar en este punto. Después de esto, se reiniciará automáticamente (siempre y cuando la bomba del filtro esté funcionando) siempre que la temperatura del agua de la piscina disminuya 2 grados respecto a la temperatura deseada.

Dependiendo de la temperatura inicial del agua en la piscina y la temperatura del aire, puede tardar varios

días para calentar el agua a la temperatura deseada. Una buena cubierta de la piscina puede reducir drásticamente el tiempo requerido para ello.

Tiempo de retardo - La unidad de la bomba de calor debe estar equipada con una protección de reiniciación temporizada de 3 minutos transitoria. El control del temporizador es una parte integral del circuito de control.

El funcionamiento del temporizador permitirá reiniciar automáticamente la unidad de la bomba de calor aproximadamente 3 minutos después de cada interrupción del circuito de control. Incluso una simple interrupción de alimentación eléctrica activará el temporizador de 3 minutos de manera transitoria y prevendrá que la unidad se reinicie hasta que se cumplan los 3 minutos.

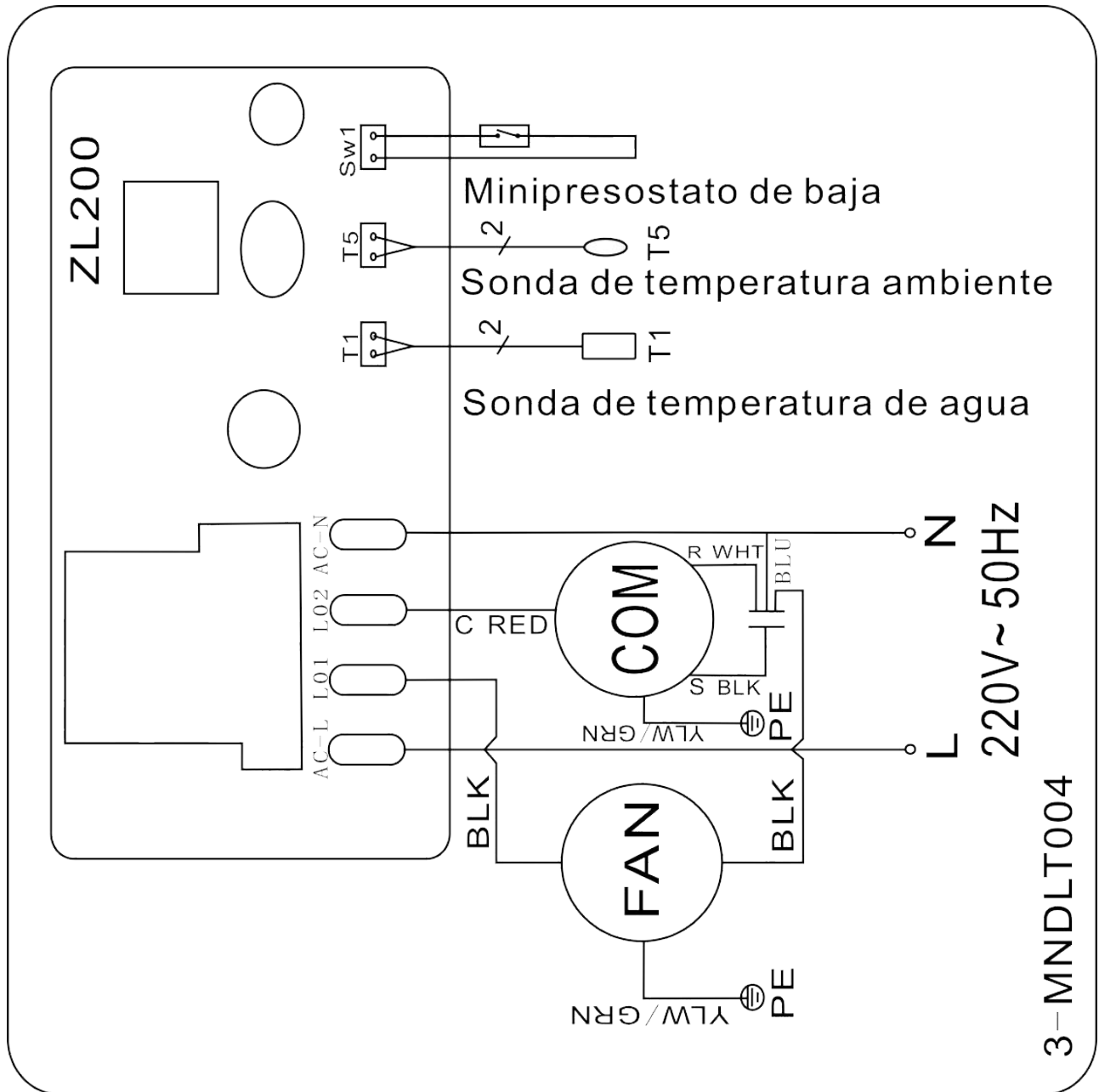
4.5 Condensación

El aire aspirado en la bomba de calor se enfría fuertemente por el funcionamiento de la bomba de calor para calentar el agua de la piscina, lo que puede causar condensación en las aletas del evaporador. La cantidad de condensación puede ser de hasta varios litros por hora a alta humedad relativa. Esto a veces se considera erróneamente como una fuga de agua.

5. Cableado eléctrico

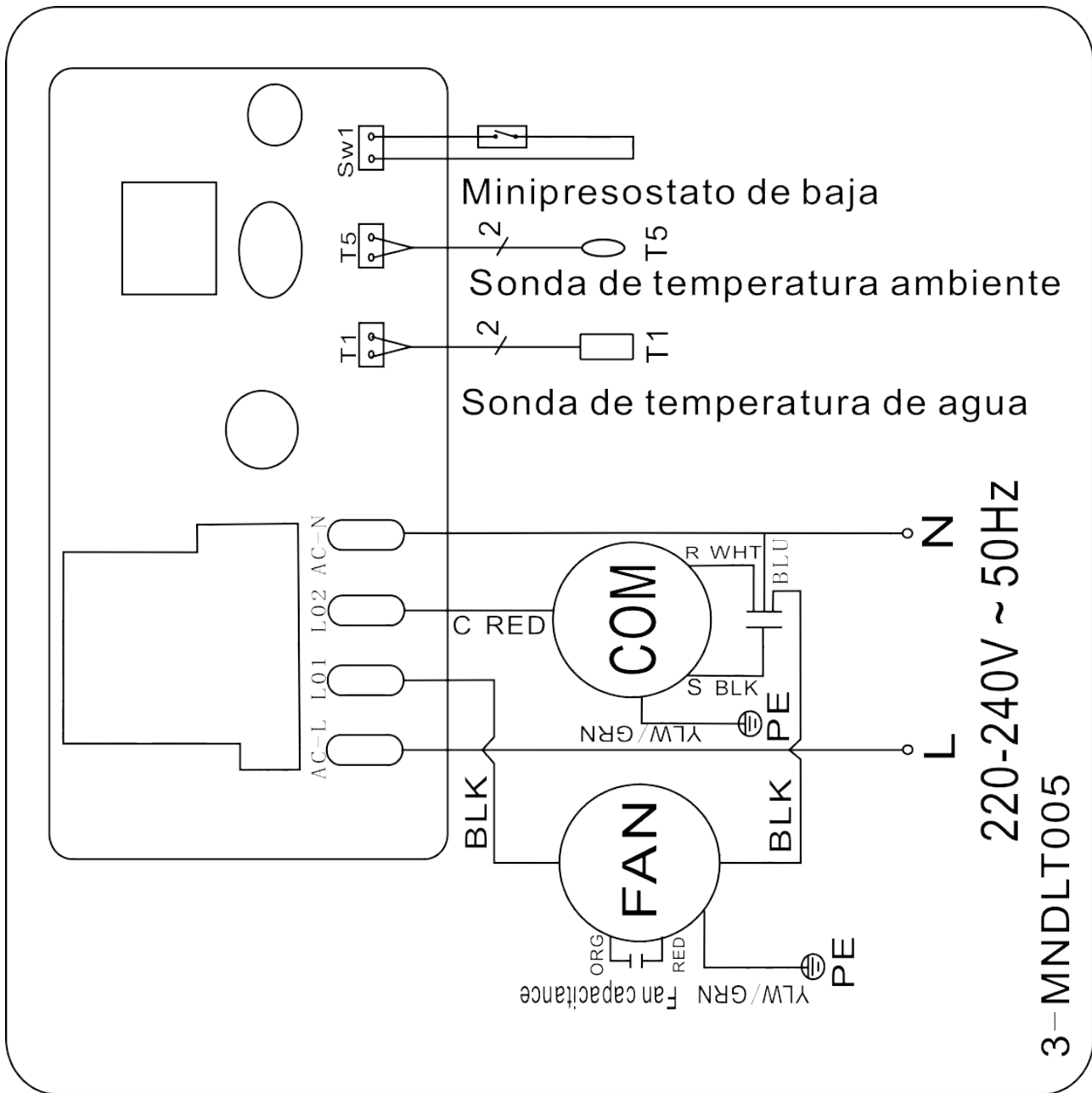
5.1 ESQUEMA ELECTRICO DE LA BOMBA DE CALOR

HPM20



5.2 ESQUEMA ELECTRICO DE LA BOMBA DE CALOR

HPM30/HPM40



NOTA:

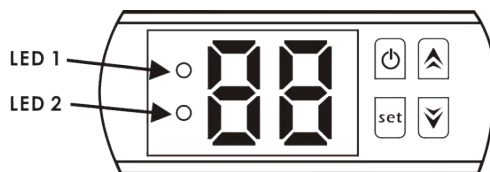
(1) Por encima del diagrama de cableado eléctrico sólo para su referencia, se somete al diagrama de cableado que aparece en la máquina.

(2) La bomba de calor debe estar bien conectada a tierra, aunque el intercambiador de calor de la unidad está aislado eléctricamente del resto de la unidad. La conexión a tierra de la bomba de calor, aún es necesaria para protegerla contra cortocircuitos dentro de la misma.

Desconexión: Los medios de desconexión (interruptor automático, fusible o relés) deben estar ubicados a la vista y fácilmente accesibles desde la unidad. Esto es una práctica común en bombas de calor comerciales y residenciales. Desconecte el sistema de alimentación remota cuando tenga que realizar mantenimiento dentro de la máquina.

6. Funcionamiento del controlador de pantalla

6.1 Los botones del controlador LED




Cuando la bomba de calor está funcionando, la pantalla LED muestra la temperatura del agua de entrada.

El LED 1 está encendido cuando el compresor está funcionando.

El LED 2 está encendido si hay problemas.



6.2 Arranque o detenga la bomba de calor

Presione  para iniciar la bomba de calor, la pantalla LED mostrará la temperatura del agua deseada durante 5 segundos y luego mostrará la temperatura del agua de entrada..

Presione  para detener la bomba de calor.



6.3 Ajuste de la temperatura del agua



Pulse  y  para ajustar la temperatura del agua deseada (10—42 °C)

Pulse  o  nuevamente para almacenar los nuevos datos.

Nota: la bomba de calor puede funcionar sólo si el sistema de circuito de agua / filtración está funcionando.

6.4 Cómo comprobar los parámetros

Pulse , Entrará en la comprobación de parámetros, Pulse  y  para elegir el código d0 / d1,

Pulse , mostrará el valor medido. Por último pulse  para salir.

Code	Parámetro
d0	Temperatura ambiente
d1	Temperatura de agua

Aviso: no puede establecer los datos del parámetro por los usuarios finales.

7. Mal funcionamiento y solución de problemas

7.1 Código de error mostrado en el controlador de cable de LED

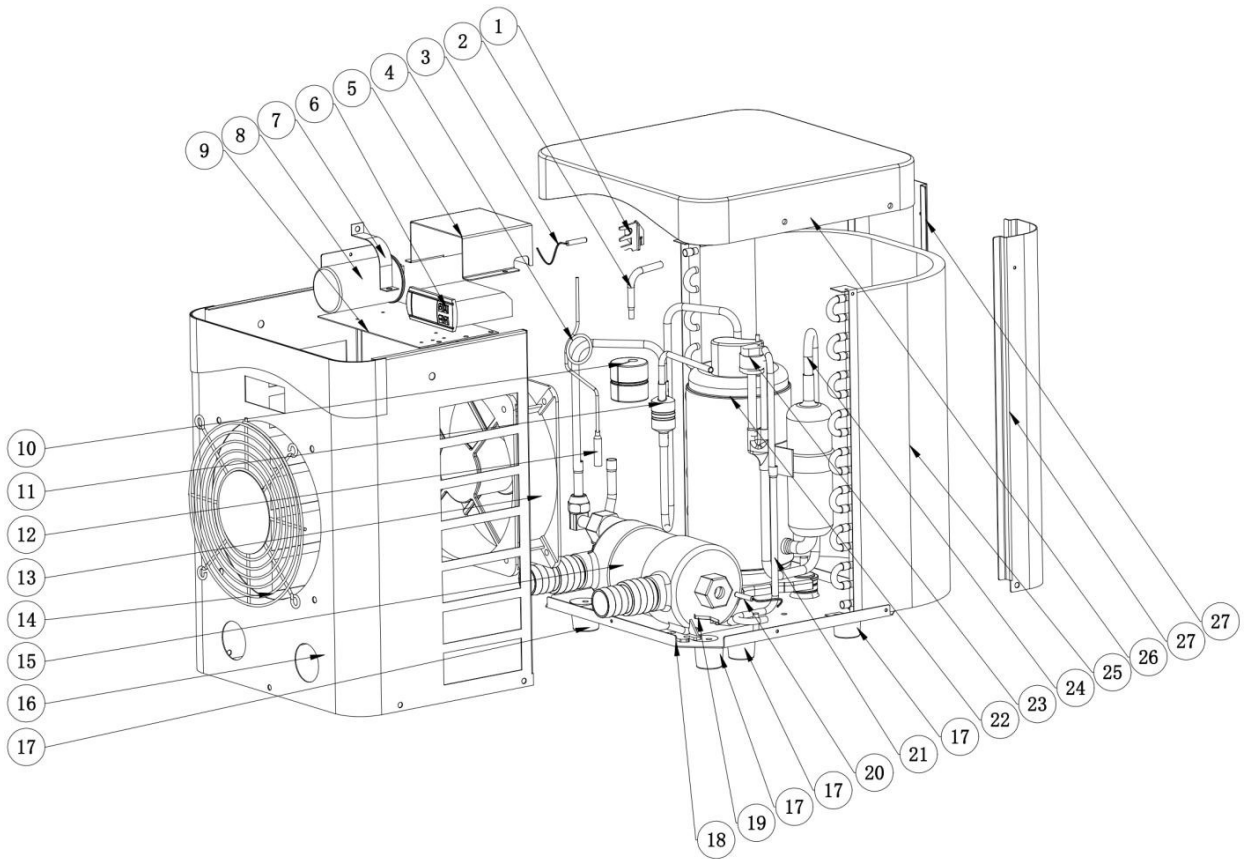
Avería	Código de error	Motivo	Solución
Protección de temperatura ambiente demasiado baja	P0	1. La temperatura ambiente es inferior a 12 °C 2. Fallo del controlador.	1. Espere que la temperatura ambiente suba a 13 °C. 2. Reemplace el nuevo controlador.
Fallo del sensor de temperatura del agua	P1	Sensor de temperatura del agua circuito abierto o cortocircuito.	Reemplace el nuevo sensor de temperatura del agua.
Fallo del sensor de temperatura ambiente	P2	Sensor de temperatura ambiente circuito abierto o cortocircuito.	Reemplace el nuevo sensor de temperatura ambiente.
Protección de baja presión	EL	1. Interruptor de baja presión desconectado o averiado. 2. Fuga de gas.	Debe ser reparado por los técnicos profesionales.

7.2 Otros fallos y soluciones (No se muestra en el controlador con cable LED)

Avería	Descripción	Motivos	Solución
La bomba de calor no se está operando.	Ninguna visualización sobre el controlador LED se aprecia.	No hay alimentación de potencia.	Chequee el cable y el cambiador del circuito, verifique si están conectados.
	El controlador de cable de LED muestra la temperatura del agua actual.	<p>La temperature del agua está llegando al valor ajustado, la bomba de calor se encuentra en estado de temperatura constante.</p> <p>2. La bomba de calor comienza justo a funcionar.</p>	<p>1. Verifica el ajuste de la temperatura del agua.</p> <p>2. Inicie la bomba de calor después de algunos minutos.</p>
Operación corta	LED muestra la temperature actual del agua, no se muestra el código de error.	<p>1. Ventilador NO funciona.</p> <p>2. La ventilación del aire no es suficiente.</p> <p>3. El refrigerante no es suficiente.</p>	<p>1. Chequee las conexiones de cable entre el motor y el ventilador, si es necesario, deben ser remplazados.</p> <p>2. Compruebe la ubicación de la unidad de la bomba de calor, y elimine todos los obstáculos para tener una buena ventilación del aire.</p> <p>3. Reemplace o repare la unidad de la bomba del calor.</p>
Manchas de agua	Manchas de agua en la unidad de la bomba de calor	<p>1. Protección</p> <p>2. Fuga del agua.</p>	<p>1. Ninguna accion.</p> <p>2. Verifique con cuidado el intercambiador de calor de titanio si hay algún fallo de fuga.</p>

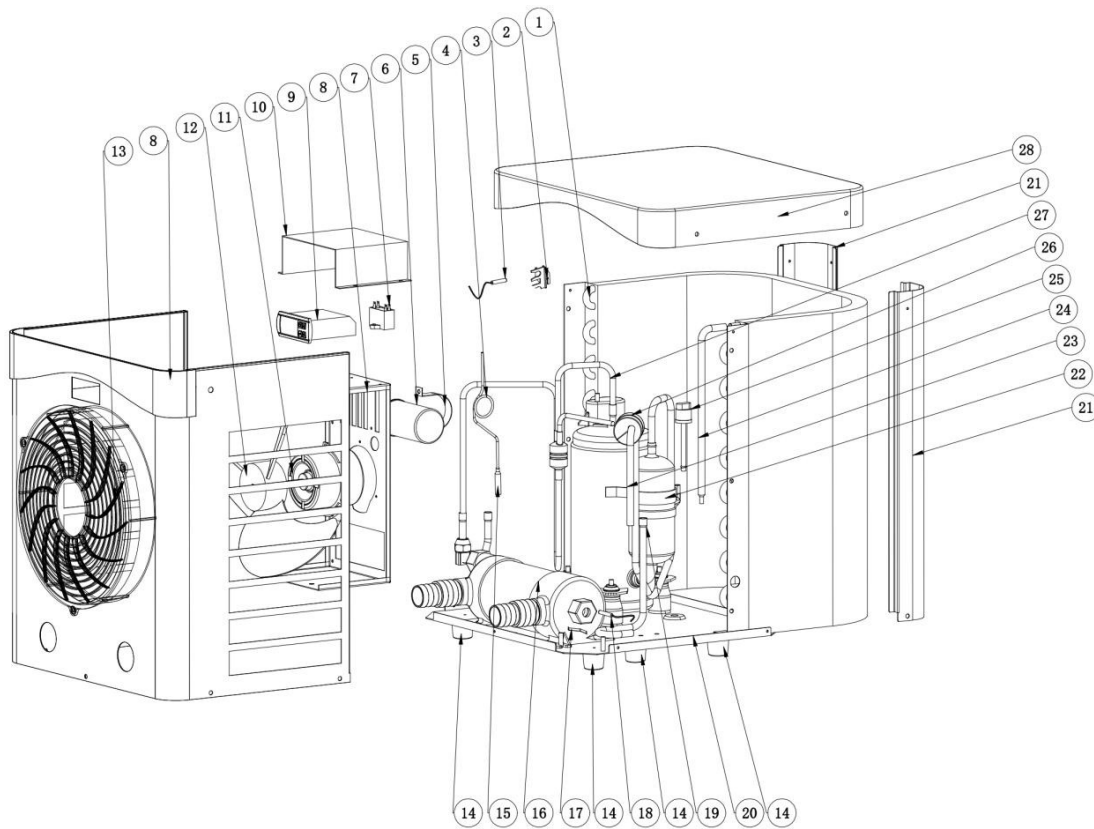
8. Diagrama Explosionado

Unit: HPM20



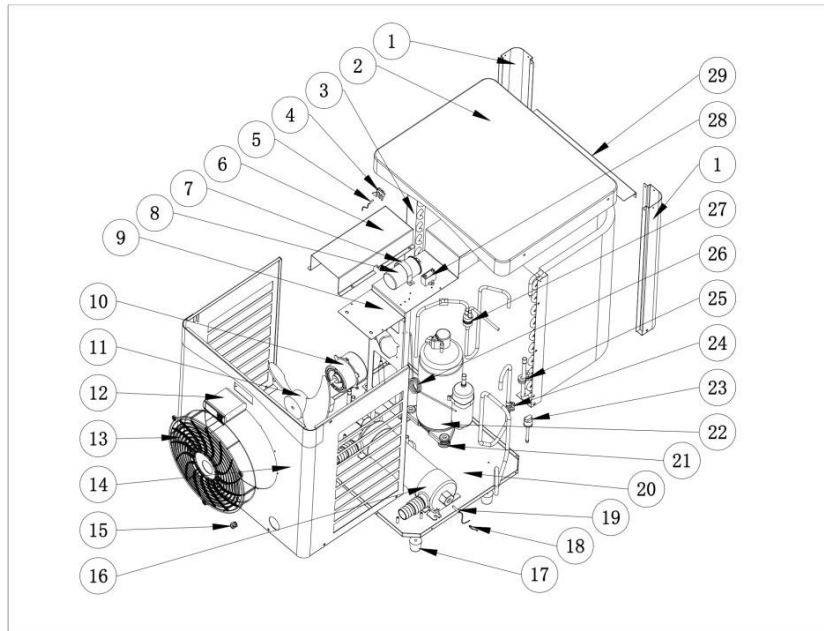
No.	Nombre de las partes	HPM20	No.	Nombre de las partes	HPM20
1	Clip del sensor de temperatura	133020010	15	Intercambiador de titanio	102040891
2	Tubo de cobre	113100026	16	Panel frontal	108680047
3	Sensor de temperatura ambiente	117110079	17	Patas de goma	136020168
4	Capilar	109000028	18	Base	108680045
5	Caja electrica	108680016	19	Acortar	108010025
6	Controlador	117020189	20	Sensor temperatura de agua	117110068
7	Clip de condensador del	108010008	21	Colector de cobre	113050123
8	Condensador del compresor	111000010	22	Compresor	101000233
9	Caja cuadro eléctrico	108680015	23	Minipresostato de baja	116000091
10	Martillo de goma a prueba de	136020133	24	Tubo de descarga	113010300
11	Tubería de retorno de gas	113020398	25	Evaporador	103000236
12	Tubo de cobre	113100027	26	Cubierta superior	133400001
13	Ventilador	112000071	27	Pilar	108680046
14	Rejilla ventilador	108680017			

Unit: HPM30



No.	Nombre de las partes	HPM30	No.	Nombre de las partes	HPM30
1	Evaporador	103000237	15	Tubo de cobre	113100027
2	Clip del sensor de temperatura ambiente	133020010	16	Intercambiador de titanio	102040900
3	Sensor de temperatura ambiente T5	117110079	17	Acortar	108010025
4	Capilar	109000038	18	Sensor temperatura de agua T1	117110068
5	Clip de condensador del compresor	108010006	19	Tubo colector de gas	113050125
6	Condensador del compresor	111000011	20	Base	108690033
7	Condensador del ventilador	111000034	21	Pilar	108690048
8	Montaje del panel frontal	108690047	22	Compresor	101000232
9	Controlador	117020189	23	Tubería de retorno de gas	113020467
10	Caja electrica	108690015	24	Tubo de cobre	113420129
11	Motor del ventilador	112000054	25	Minipresostato de baja presion	116000091
12	Aspa del ventilador	132000024	26	Martillo de goma a prueba de golpes	136020026
13	Rejilla ventilador	133020052	27	Tubo de descarga	113010351
14	Patas de goma	136020168	28	Cubierta superior	133330004

Unit: HPM40



No.	Nombre de las partes	HPM40	No.	Nombre de las partes	HPM40
1	Pilar	108950009	16	Intercambiador de titanio	117020363
2	Cubierta superior	133440001	17	Patas de goma	136020168
3	Evaporador	103000343	18	Clip del sensor de temperatura	108010025
4	Clip sonda Tª ambiente	133020010	19	Sensor temperatura de agua T1	117110068
5	Sensor temperatura de agua T1	117110068	20	Base	108950007
6	Caja electrica	108950006	21	Pies de goma del compresor	101000241
7	Clip de condensador del	108010006	22	Compresor	101000241
8	Condensador del compresor	111000012	23	Minipresostato de baja presion	116000091
9	Soporte del motor del	108950010	24	Tubería de retorno de gas	113020602
10	Motor del ventilador	112000079	25	Bloque de goma	136020018
11	Aspa del ventilador	132000024	26	Capilar	109000038
12	Controlador	117020302	27	Tubo de descarga	113020624
13	Rejilla ventilador	133020052	28	Condensador del ventilador	111000034
14	Montaje del panel frontal	108950008	29	Placa de soporte del soporte del motor	108950011
15	Prensaestopa del cable de	142000126			

9. Mantenimiento

(1) Debe revisar regularmente el sistema de filtración, bajo flujo de agua y obstrucciones en la batería evaporadora, ya que esto puede producir averías, reduciendo el rendimiento y la fiabilidad de la bomba de calor.

(2) Debe limpiar regularmente sus piscinas y el sistema de filtración para evitar el daño a la unidad por la suciedad, obstruyendo el filtro.

(3) En invierno o cuando la temperatura ambiente sea inferior a 0°C, asegúrese de vaciar el agua de las bombas de calor o los intercambiadores de titanio. Si se congela, su garantía caducará en este caso.

(4) En otras palabras, debe chequear las unidades por completo y llenar el sistema con agua completamente antes de que la unidad comience a funcionar de nuevo.

(5) Cuando la unidad está funcionando, hay continuamente un poco de descarga de agua debajo de la unidad.

10. Accesorios

 <p>Chorro de drenaje, 1 pieza</p>	 <p>Tubo de drenaje de agua, 1 pieza</p>
---	--

MINI HEATER

Notice d'installation et d'utilisation

INDEX

1. Spécifications
2. Conditions de transport
3. Dimension
4. Installation et connexion
5. Câblage électrique
6. Fonctionnement du contrôleur
7. Guide de dépannage
8. Schéma éclaté
9. Entretien
10. Accessoires

Nous vous remercions d'avoir choisi la pompe à chaleur de piscine Mini heater pour chauffer l'eau de votre piscine, elle va chauffer l'eau de votre piscine et la maintenir à une température constante lorsque la température ambiante se situe au-dessus de 12°C.



ATTENTION : Ce manuel contient toutes les informations nécessaires à l'utilisation et à l'installation de votre pompe à chaleur.

L'installateur doit lire le manuel et suivre attentivement les instructions d'utilisation, de mise en œuvre et de sécurité du produit.

L'installateur est responsable de l'installation de l'appareil et du respect des instructions du fabricant et de la réglementation en vigueur. Le non-respect de ce manuel implique l'exclusion de toute garantie.

Le fabricant décline toute responsabilité des dommages occasionnés aux personnes, objets et des erreurs dues à l'installation dans de mauvaises conditions.

Toute utilisation à des fins non conformes à celles qui sont à l'origine de sa fabrication sera considérée comme dangereuse.

1. Spécifications

1.1 Pompe à chaleur de Piscine

Unité	HPM20	HPM30	HPM40
Code	71245	71258	71606
* Puissance de chauffage Air28°C/Eau28°C/Humidité 80%			
Puissance restituée (kW)	2.5	4.2	5.5
Consommation (kW)	0.59	1	1.31
COP	4.2	4.2	4.2
* Puissance de chauffage Air15°C/Eau26°C/Humidité 70%			
Puissance restituée (kW)	1.9	3.2	4.2
Consommation (kW)	0.56	0.91	1.2
COP	3.4	3.5	3.5
* Données			
Alimentation électrique (V)	220-240V~50Hz/1PH		
Courant Nominal (A)	2.6	4.4	5.8
Disjoncteur préconisé(A)	7.5	10	16
Volume de la piscine conseillé max**(m ³)	<20	<30	<40
Débit d'eau minimum et recommandé (m ³ /h)	2	2	2.5
Pression de service maximale/minimale (Mpa)	4.2/0.05		
Pression de l'eau (Kpa)	15	15	15
Échangeur de chaleur	Titane en PVC		
Indice de protection	IPX4		
Diamètre entrée-sortie (mm)	38/32		
Niveau de bruit à 10m dB(A)	48	46	46
Niveau de bruit à 1m dB(A)	57	55	55
Gaz réfrigérant R32 (g)	160	290	400
* Dimension & Poids			
Poids net (kg)	18	26	30
Poids brut (kg)	19	28.5	33
Dimension (mm)	313*364.5*428.5	435*436.5*511.5	515*487*541.5
Dimension d'emballage (mm)	380*455*500	496*525*575	570*570*605

* Les données ci-dessus sont sujettes à modification sans préavis.

** Consultez notre emballage ou notre site Web pour plus de détails.

2. Conditions de transport

2.1 Consignes de livraison du colis



Pour le transport, la pompe à chaleur est fixée en usine sur une palette et protégée par un cartonnage. Afin d'éviter les dommages, la pompe à chaleur doit être transportée **emballée sur sa palette**.

Même si le transport est à la charge du fournisseur, tout matériel peut être endommagé lors de son acheminement chez le client et il est de la responsabilité du destinataire de s'assurer de la conformité de la livraison. Le destinataire doit émettre des réserves écrites à la réception sur le bordereau de livraison du transporteur s'il constate des dégradations de l'emballage. **NE PAS OUBLIER DE CONFIRMER PAR LETTRE RECOMMANDÉE AU TRANSPORTEUR SOUS 48 HEURES.**

2.2 Consignes de stockage



Une pompe à chaleur doit être **stockée et déplacée en position verticale** dans son emballage d'origine. Si ce n'est pas le cas, elle ne peut être mise en œuvre immédiatement. Un délai minimum de 24 heures sera nécessaire avant de mettre le produit sous tension.

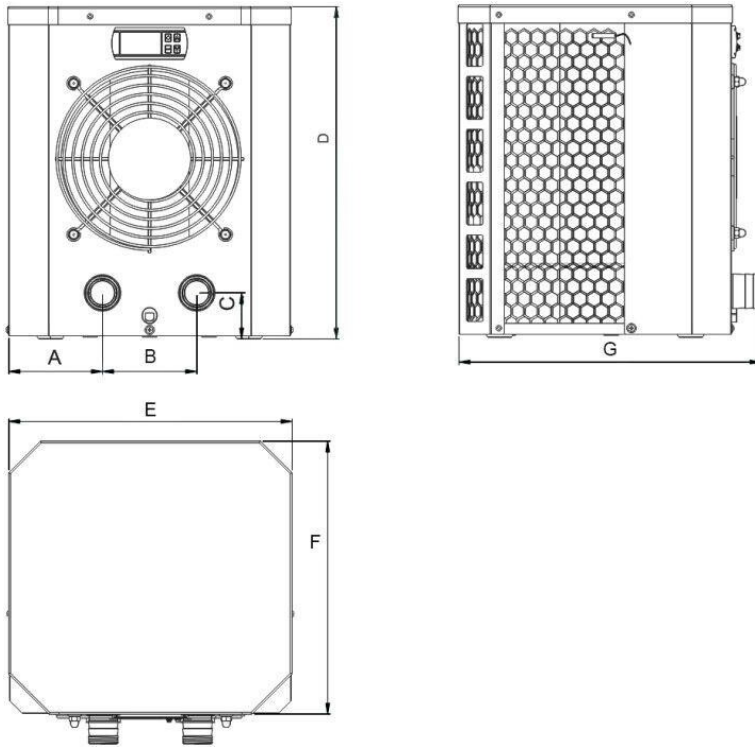
INTERDICTION



2.3 Consignes lors du transfert de la pompe à chaleur vers son emplacement final

Lors du déballage du produit et du transfert de sa palette d'origine vers son emplacement final, il faut maintenir la pompe à chaleur en position verticale. Les raccords hydrauliques ne sont pas là pour assurer la fonction de poignée de levage, bien au contraire : **solliciter de tout le poids de la pompe les sorties et entrée des raccords hydrauliques peut endommager définitivement le produit. Le fabricant ne pourrait alors être tenu responsable en cas de casse.**

3. Dimension



Item / (mm)	A	B	C	D	E	F	G
HPM20	90.4	130	50	428.5	313	300	364.5
HPM30	116.5	200	50	511.5	435	365	436.5
HPM40	134.6	260	50	541.5	515	421	487

4. Installation et connexion

Attention:

Avant l'installation, merci de prendre connaissance des indications ci-dessous :

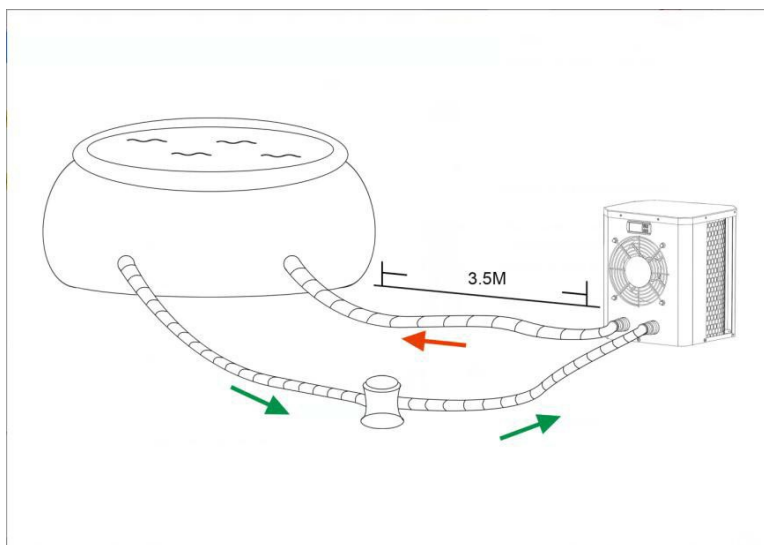
1. Tous les produits contenant des liquides chimiques, doivent être installés en aval de la pompe à chaleur piscine.
2. Toujours laissez la pompe à chaleur piscine verticale. Si la machine a été penché durant son transport, attendez au moins 24 heures avant de démarrer la pompe à chaleur.

4.1 Positionnement de la pompe à chaleur piscine

L'appareil peut être installé presque n'importe où à l'extérieur, à condition que les trois facteurs soient satisfaits :

1. Une bonne ventilation - 2. Une alimentation électrique stable et fiable - 3. Un système d'eau recyclée

L'unité peut être installée à n'importe quel endroit à l'extérieur à condition que les distances minimales montrées dans le schéma (ci-dessous) soient conformes. Pour l'installation à l'intérieur, demandez conseil à votre installateur. L'installation dans un endroit venteux ne pose aucun problème, sauf si un chauffage au gaz se trouve à proximité (risques dus aux flammes).



ATTENTION : L'unité ne doit pas être installée dans une zone où la ventilation d'air est limitée ou les emplacements qui ne peuvent pas fournir de façon continue de l'air, s'assurer que l'entrée d'air ne puisse jamais être obstruée. Les feuilles et autres débris peuvent se coller sur l'évaporateur, ce qui réduit son efficacité et affectera sa durée de vie.

4.2 Mise en service initiale de l'unité

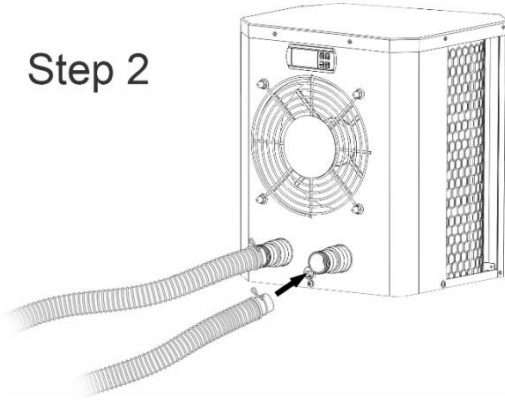
Nota : Afin de chauffer l'eau de la piscine (ou du spa), la pompe de filtration doit être en marche de manière à faire circuler l'eau à travers la pompe à chaleur. Si l'eau ne coule pas, la pompe à chaleur déclenchera la protection contre la surchauffe et provoquera un arrêt.

4.3 Raccordement des tuyaux

Step 1



Step 2



Note :

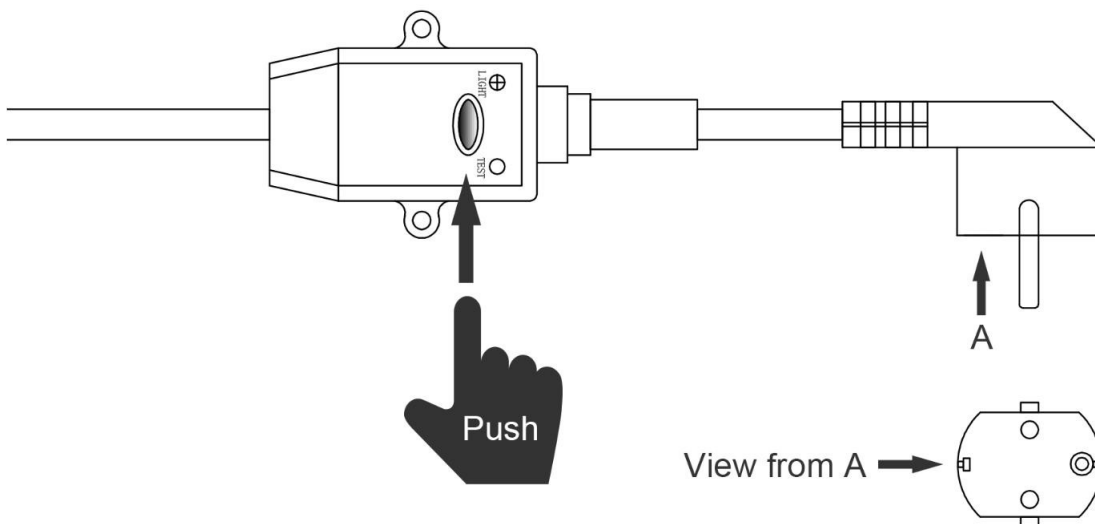
Seule la pompe à chaleur est fournie. Tous les autres éléments, y compris les tuyaux, doivent être fournis par l'utilisateur ou l'installateur.

4.4 Raccordement électrique

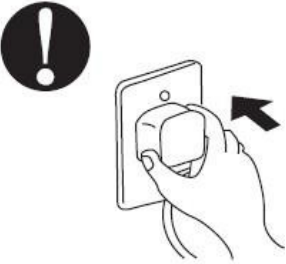
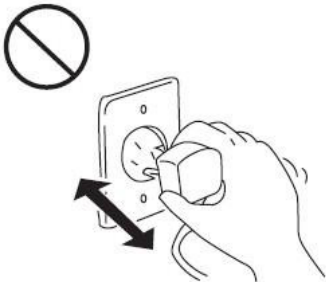
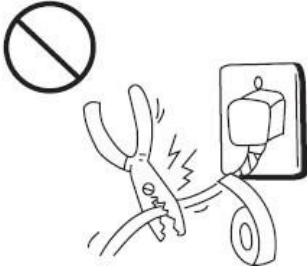
Avant de brancher l'appareil, vérifiez que la tension d'alimentation correspond à la tension de fonctionnement de la pompe à chaleur.

La prise RCD est fournie avec un câble d'alimentation offrant une protection électrique.

Le bouton de test sert à vérifier la capacité du disjoncteur.



Attention:

<p>Assurez-vous que la prise électrique est conforme</p> <p>Si la prise n'est pas bien branchée, vous risquez une décharge électrique, un échauffement et un risque d'incendie.</p> 	<p>Ne jamais débrancher la prise électrique pendant le fonctionnement de la pompe à chaleur</p> <p>Sinon, vous risquez une décharge électrique un incendie suite à la surchauffe.</p> 	<p>Ne jamais utiliser des câbles électriques endommagés ou non conforme à leur utilisation</p> <p>Sinon, cela pourrait provoquer une décharge électrique, un échauffement et un risque d'incendie.</p> 
--	--	---

Une fois que toutes les connexions ont été faites, merci de suivre ces étapes:

- (1) Allumez votre pompe de filtration, vérifiez l'absence de fuites d'eau et le débit au niveau de la piscine
- (2) Activez l'alimentation électrique de l'appareil, puis appuyez sur la touche ON / OFF du contrôleur.
- (3) Après un fonctionnement de quelques minutes, assurez-vous que l'air ventilé est froid.
- (4) Lorsque vous désactivez la pompe de filtration, l'unité doit également être désactivée automatiquement, sinon, veuillez contrôler le commutateur de débit.

En fonction de la température initiale de l'eau dans la piscine et la température de l'air, il est nécessaire de faire fonctionner l'installation pendant plusieurs jours pour chauffer l'eau à la température souhaitée.

Une bonne protection de la piscine (couverture, bâche solaire) peut réduire considérablement la durée requise.

Temporisation :

L'unité est équipée d'une protection intégrée de redémarrage temporisée de 3 minutes. La temporisation est une partie intégrante du circuit de commande et de protection du compresseur.

La fonction de temporisation interdit tout redémarrage automatiquement de l'appareil (pendant environ 3 minutes) après chaque interruption sur la commande. Même une brève interruption de courant active la temporisation de 3 minutes et empêche le redémarrage de l'appareil jusqu'à ce que le compte à rebours de 3 minutes soit terminé.

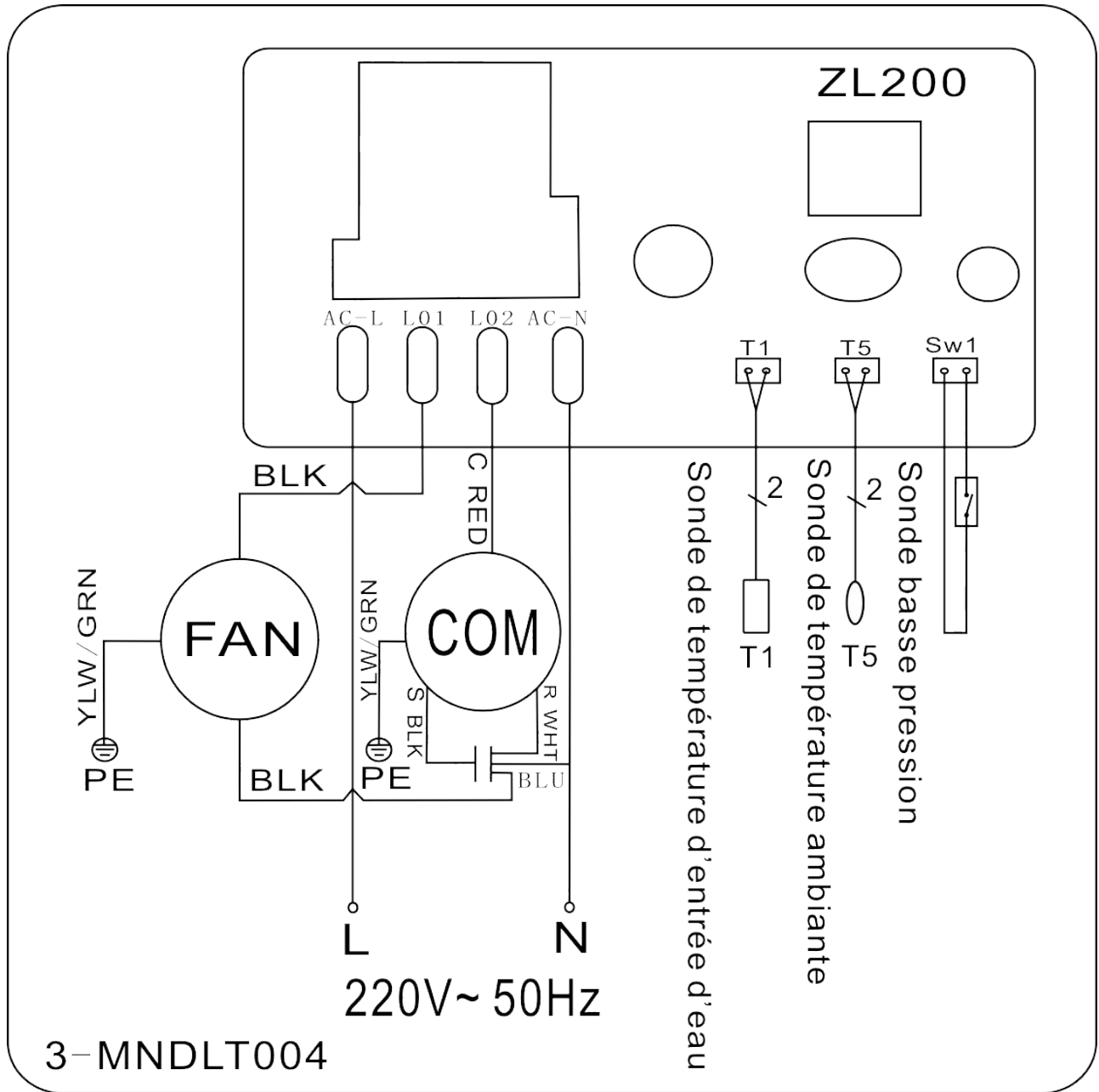
4.5 Condensation

L'air aspiré dans la pompe à chaleur est fortement refroidi par le fonctionnement de la pompe à chaleur pour chauffer l'eau de la piscine, ce qui peut provoquer la condensation sur les ailettes de l'évaporateur. Le niveau de la condensation peut être de plusieurs litres par heure à une humidité relative élevée. Ceci est parfois considérées à tort comme une fuite d'eau.

5. Câblage électrique

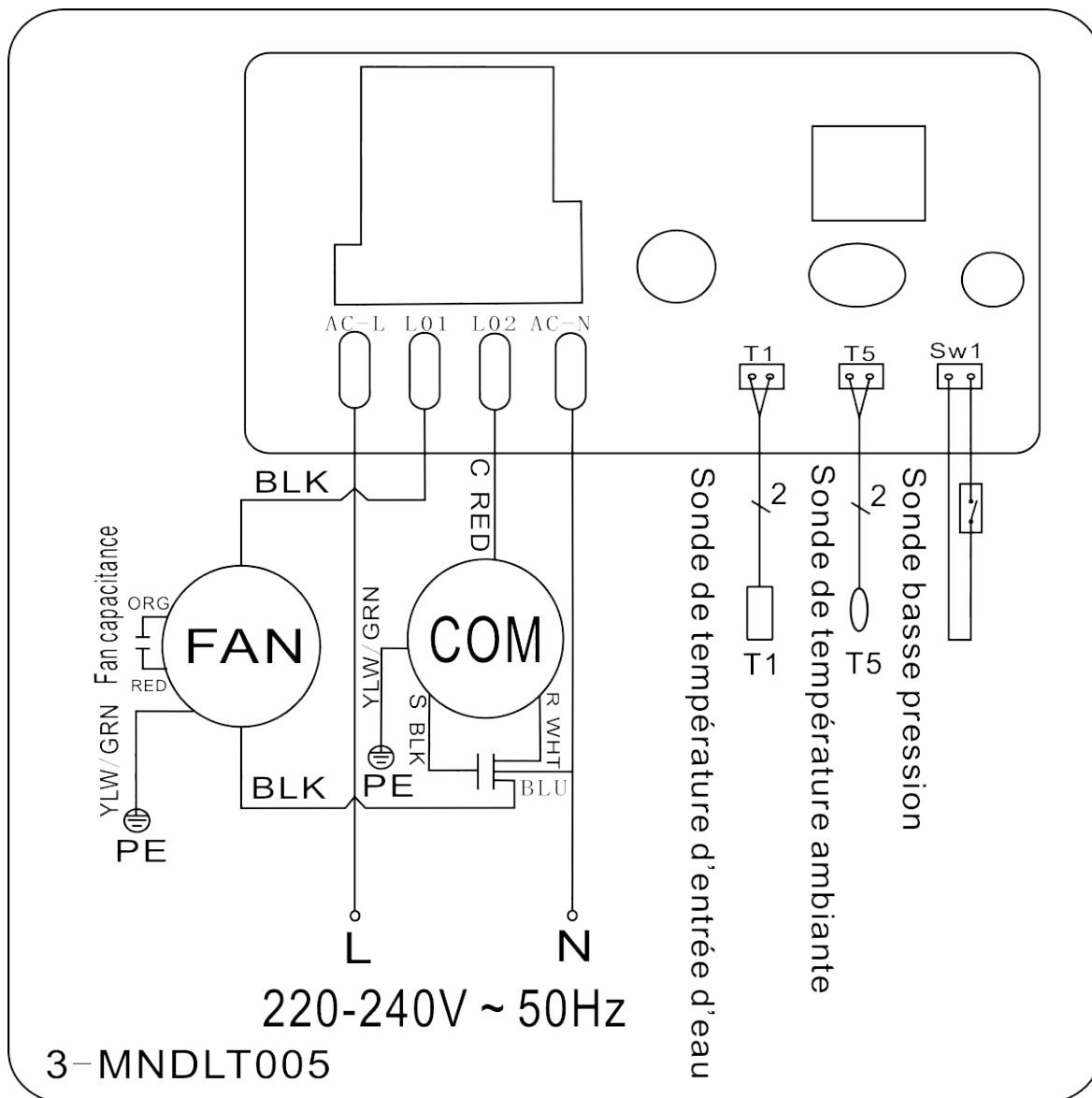
5.1 Schéma de câblage de la pompe à chaleur de piscine

HPM20



5.2 Schéma de câblage de la pompe à chaleur de piscine

HPM30/HPM40



NOTE :

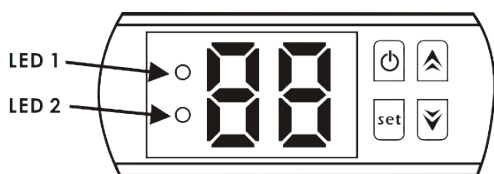
(1) Le schéma de câblage électrique ci-dessus est seulement valable pour votre référence, veuillez utiliser le schéma de câblage affiché sur la machine.

(2) La pompe à chaleur de piscine doit être bien raccordée à la terre, bien que l'échangeur de chaleur soit électriquement isolé du reste de l'unité. La mise à la terre de l'unité est toujours nécessaire pour vous protéger contre les courts-circuits éventuels de l'unité.

Sectionneur : Un moyen d'interruption électrique (disjoncteur, interrupteur à fusibles) doit être en vue et facilement accessible de l'unité. C'est une pratique courante et de sécurité pour les pompes à chaleur résidentielles et commerciales. Il permet la mise hors tension à distance de l'équipement sans surveillance et d'isoler l'alimentation à l'unité alors que l'appareil est en réparation.

6. Fonctionnement du contrôleur

6.1 Les fonctions du tableau de commande LED





Lorsque la pompe à chaleur est en cours de fonctionnement, l'écran LED affichera la température d'arrivée d'eau.

Lorsque la pompe à chaleur fonctionne, la LED 1 s'éclaire.



Lorsque la pompe à chaleur est en défaut, la LED 2 s'éclaire.



6.2 Démarrer ou arrêter la pompe à chaleur

Appuyez sur  pour démarrer la pompe à chaleur, l'écran affiche la température souhaitée pendant 5 secondes et ensuite la température d'entrée d'eau.

Appuyez sur  pour arrêter la pompe à chaleur.





6.3 Réglage de la température d'eau :

Appuyez sur  et  pour sélectionner la température souhaitée (valeur : 10 - 42°C).

Appuyez sur  et  pour sauvegarder la valeur sélectionnée.

NOTE : Attention la pompe à chaleur ne fonctionne que si le système de filtration est en route.

6.4 Comment vérifier les paramètres.

En mode de veille ou de fonctionnement, appuyez sur , ensuite appuyez sur  ou  afin de choisir le paramètre d0 ou d1, appuyez sur , pour le sélectionner et afficher la valeur.

Paramètre	Paramètre
d0	La température ambiante
d1	Température de l'eau

Note : Les valeurs ne peuvent être modifiées par les utilisateurs.

7. Guide de dépannage

7.1 Code d'erreur affichée sur le tableau de commande

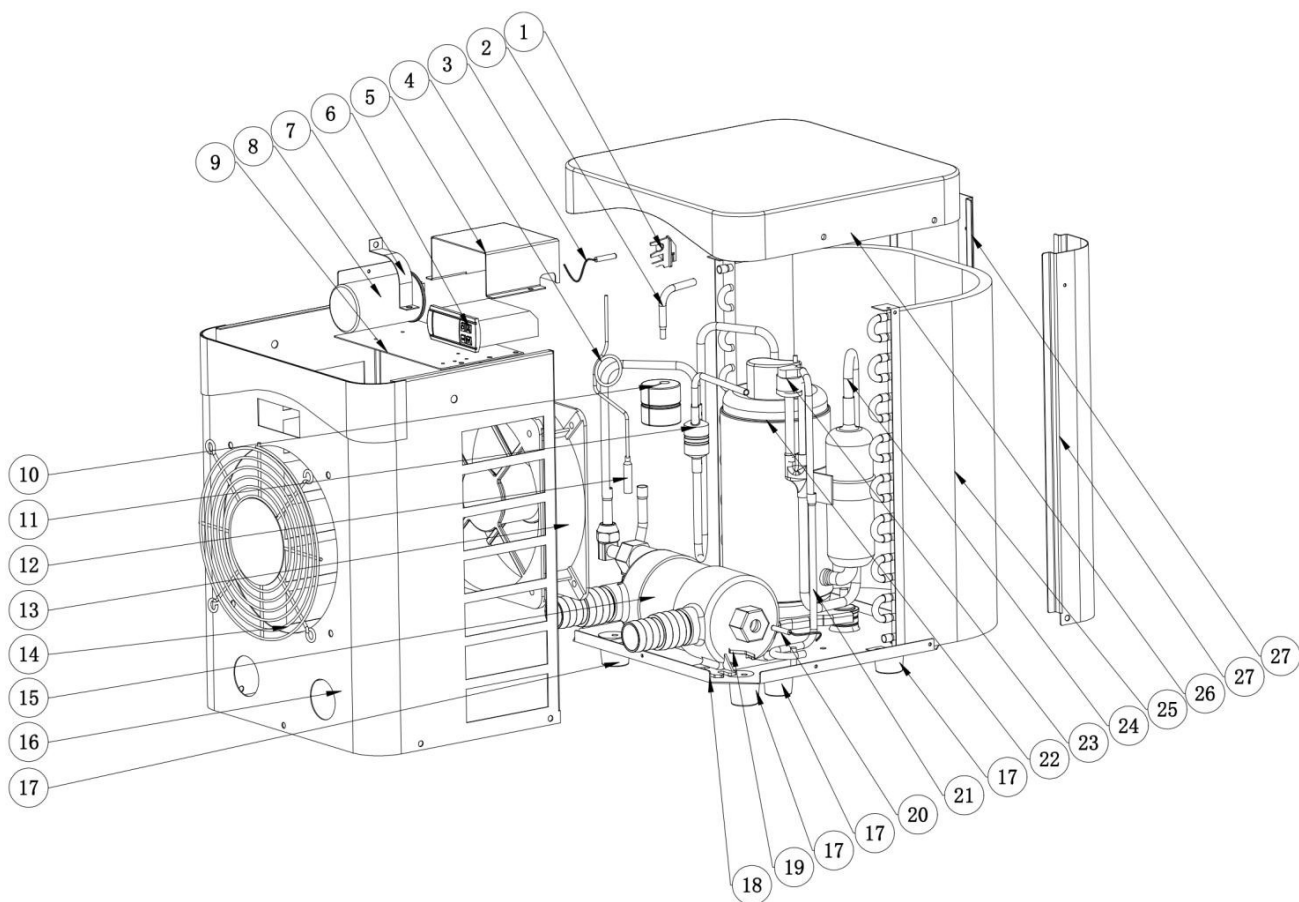
Dysfonctionnement	Code d'erreur	Raison	Solution
Protection trop basse de la température ambiante	P0	1. La température ambiante est inférieure à 12 °C 2. Panne du contrôleur.	1. Attendez que la température ambiante monte à 13 °C. 2. Remplacer le contrôleur.
Défaillance du capteur de température de l'eau	P1	Capteur de température d'eau circuit ouvert ou court-circuit.	Remplacez le capteur de température d'eau.
Capteur de température ambiante	P2	Capteur de température ambiante en circuit ouvert ou en court-circuit.	Remplacez le capteur de température ambiante.
Protection basse pression	EL	1. Interrupteur basse pression déconnecté ou en panne 2. Fuite de gaz.	Mandater un technicien habilité pour intervenir sur le circuit gaz.

7.2 Autres dysfonctionnements et Solutions (Pas affiché sur le contrôleur LED)

Dysfonctionnements	Observations	Raisons	Solution
Pompe à chaleur ne fonctionne pas	Aucun affichage sur le contrôleur à LED	Pas d'alimentation.	Vérifiez le disjoncteur et le raccordement électrique
	Contrôleur à LED affiche la température réelle de l'eau.	<ol style="list-style-type: none"> 1. Température de l'eau atteint la valeur fixée, la pompe à chaleur est à l'arrêt en état de veille. 2. Pompe à chaleur commence juste à fonctionner (3 minutes) 	<ol style="list-style-type: none"> 1. Vérifiez le réglage de température de l'eau. 2. Attendre la démarrage de la pompe à chaleur, quelques minutes.
Fonctionnement court	Contrôleur à LED affiche la température réelle de l'eau, aucun code d'erreur ne s'affiche	<ol style="list-style-type: none"> 1. Ventilateur ne fonctionne pas 2. La ventilation d'air n'est pas suffisante 3. Réfrigérant ne suffit pas. 	<ol style="list-style-type: none"> 1. Vérifiez les connexions des câbles entre le moteur et le ventilateur, le cas échéant, il doit être remplacé. 2. Vérifiez l'emplacement de l'unité de pompe à chaleur, et éliminez tous les obstacles pour faire bonne ventilation. 3. Remplacez ou réparez la pompe à chaleur
Taches d'eau	Fuites d'eau sous la pompe à chaleur	<ol style="list-style-type: none"> 1. Condensat venant de l'évaporateur en fonctionnement. 2. Infiltration d'eau 	<ol style="list-style-type: none"> 1. Aucune action, fonctionnement normal de la pompe à chaleur. 2. Vérifiez s'il y a une fuite à l'échangeur de chaleur en titane.

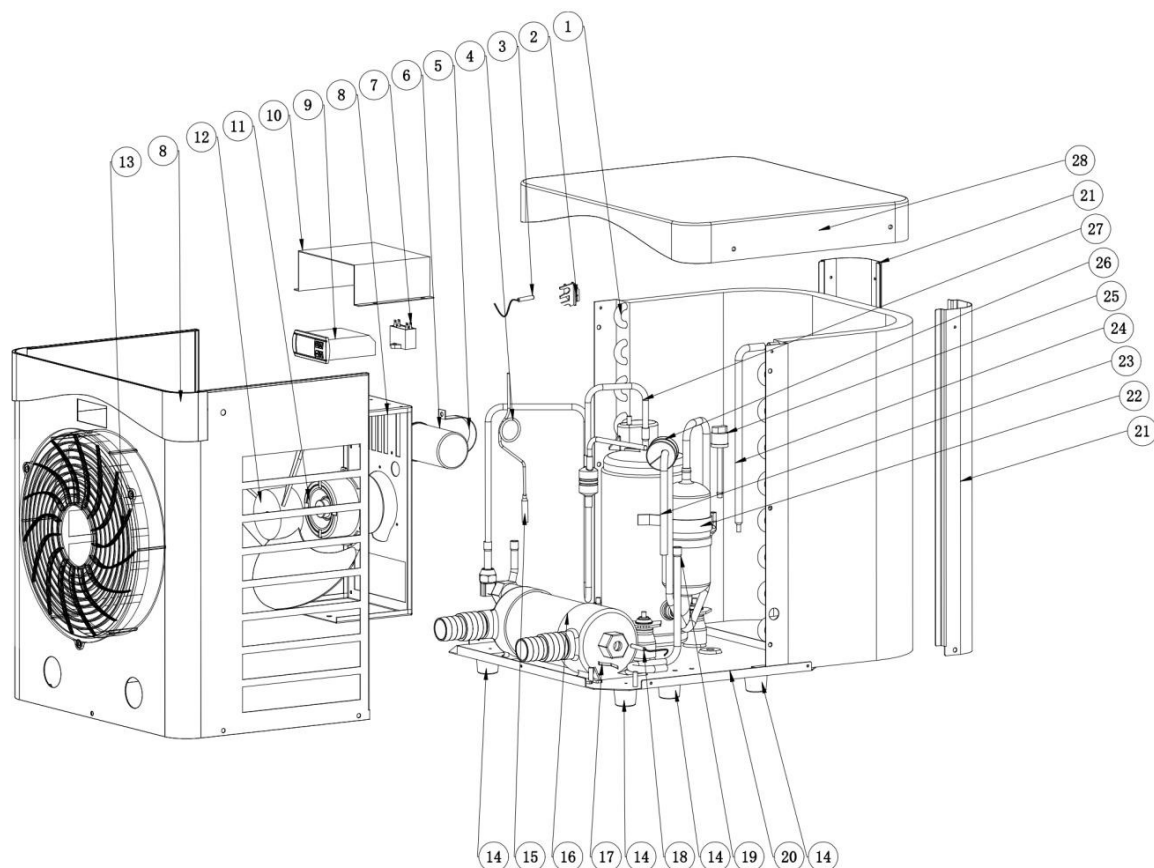
8. Schéma éclaté

Unité : HPM20



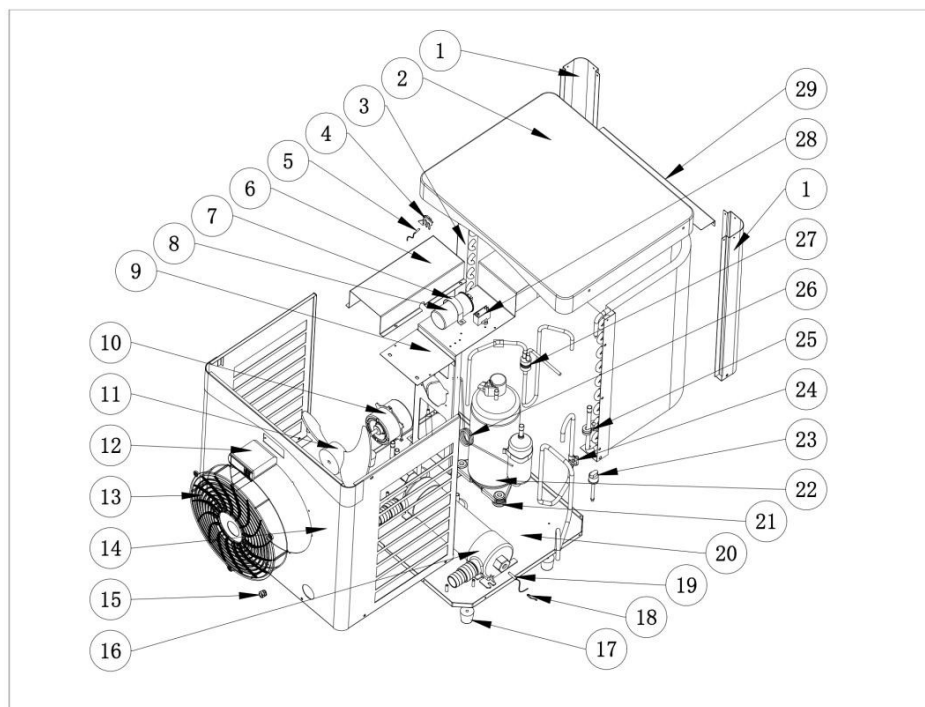
N°	Désignation	HPM20	N°.	Désignation	HPM20
1	Clip du capteur de	102040891	15	Intercambiador de titanio	102040891
2	Tube gaz	108680047	16	Panneau avant	108680047
3	Sonde de température T5	136020168	17	Pieds en caoutchouc	136020168
4	Capillaire	108680045	18	Base	108680045
5	Coffret électrique	108010025	19	Agrafe	108010025
6	Contrôleur	117110068	20	Sensor temperatura de agua T1	117110068
7	Clip de fixation	113050123	21	Colector de cobre	113050123
8	Condensateur compresseur	101000233	22	Compresor	101000233
9	Panneau supérieur ventilateur	116000091	23	Minipresostato de baja presion	116000091
10	Marteau en caoutchouc	113010300	24	Tube gaz	113010300
11	Tubería de retorno de gas	103000236	25	Evaporador	103000236
12	Tube gaz	133400001	26	Panneau supérieur	133400001
13	Support ventilateur	108680046	27	Pilier arrière gauche	108680046
14	Grille de protection ventilateur				

Unité : HPM30



N°	Désignation	HPM30	N°	Désignation	HPM30
1	Evaporateur	103000237	15	Tube gaz	113100027
2	Clip du capteur de température	133020010	16	Echangeur en titane	102040900
3	Sonde de température ambiante	117110079	17	Agrafe	108010025
4	Capillaire	109000038	18	Sonde température d'arrivée d'eau T1	117110068
5	Clip de fixation	108010006	19	Tube gaz	113050125
6	Condensateur compresseur	111000011	20	Base	108690033
7	Condensateur ventilateur	111000034	21	Pilier arrière gauche	108690048
8	Panneau avant	108690047	22	Compresseur	101000232
9	Contrôleur	117020189	23	Tube gaz	113020467
10	Coffret électrique	108690015	24	Tube gaz	113420129
11	Moteur ventilateur	112000054	25	Sonde basse pression	116000091
12	Ventilateur	132000024	26	Marteau en caoutchouc	136020026
13	Grille de protection ventilateur	133020052	27	Tube gaz	113010351
14	Pieds en caoutchouc	136020168	28	Panneau supérieur	133330004

Unité: HPM40



N°	Désignation	HPM40	N°	Désignation	HPM40
1	Pilier arrière gauche	108950009	16	Echangeur en titane	117020363
2	Panneau supérieur	133440001	17	Pieds en caoutchouc	136020168
3	Evaporateur	103000343	18	Clip du capteur de température de	108010025
4	Clip de fixation sonde	133020010	19	Sonde température d'arrivée d'eau T1	117110068
5	Sonde température d'arrivée d'eau T1	117110068	20	Base	108950007
6	Coffret électrique	108950006	21	Pieds en caoutchouc du	101000241
7	Clip de fixation	108010006	22	Compresseur	101000241
8	Condensateur compresseur	111000012	23	Sonde basse pression	116000091
9	Support de moteur de ventilateur	108950010	24	Tube gaz	113020602
10	Moteur ventilateur	112000079	25	Contrôleur	136020018
11	Ventilateur	132000024	26	Capillaire	109000038
12	Contrôleur	117020302	27	Tube gaz	113020624
13	Grille de protection ventilateur	133020052	28	Condensateur ventilateur	111000034
14	Panneau avant	108950008	29	Plaque de support du support	108950011
15	Passerelle	142000126	30	Pieds en caoutchouc du	101000241

9. Entretien

(1) Vous devez vérifier le circuit d'eau régulièrement pour éviter l'air entrant dans la tuyauterie et la présence de débit trop faible car cela réduirait les performances et la fiabilité de la pompe à chaleur.

(2) Nettoyez votre piscine et le système de filtration régulièrement.

(3) Veuillez toujours vider l'eau de la pompe à chaleur pendant l'hiver ou lorsque la température ambiante descend en dessous de 0 °C, sinon l'échangeur en titane sera endommagé en raison du gel, dans ce cas, votre garantie sera perdue.

(4) Remplir entièrement le système avec de l'eau avant de faire fonctionner l'unité à nouveau.

(5) Lorsque l'unité est en cours de fonctionnement, il y aura toujours un peu d'eau de condensation qui se décharge en dessous.

10. Accessories



Jet de vidange, 1 pièce



Tuyau d'évacuation d'eau, 1 pcs

MINIWÄRMEPUMPE

Benutzer- und Wartungshandbuch

INHALTSVERZEICHNIS

1. Technische Daten
2. Transport
3. Abmessungen
4. Einbau und Anschluss
5. Elektrische Verkabelung
6. Bedienung der Display-Steuerung
7. Fehlerbehebung
8. Explosionszeichnung
9. Wartung
10. Zubehör

Vielen Dank, dass Sie sich unsere Miniwärmepumpe für Ihren Pool verwenden, es erwärmt Ihr Poolwasser und hält die Temperatur bei einer Luftumgebungstemperatur von über 12° C konstant.



ACHTUNG: Dieses Handbuch enthält alle notwendigen Informationen für den Gebrauch und die Installation Ihrer Wärmepumpe.

Der Installateur muss das Handbuch lesen und die Anweisungen zur Installation und Wartung befolgen.

Der Installateur ist für die Installation des Produkts verantwortlich und sollte alle Anweisungen des Herstellers und die geltenden Vorschriften befolgen. Eine falsche Installation führt zum Erlöschen der Garantie.

Der Hersteller lehnt jede Verantwortung für Schäden durch Dritte, Objektingressionen und Fehler durch die Installation ab, die nicht den Anweisungen entsprechen. Jede vom Hersteller nicht bestimmungsgemäße Verwendung führt zum Erlöschen der Garantie.

1. Technische Daten

1.1 Technische Daten zu Pool-Wärmepumpen

Modell	HPM20	HPM30	HPM40
Code	71245	71258	71606
* Leistung bei Luft 28 °C, Wasser 28 °C, Luftfeuchtigkeit 80%			
Heizleistung (kW)	2.5	4.2	5.5
Leistungsaufnahme (kW)	0.59	1	1.31
COP	4.2	4.2	4.2
* Leistung bei Luft 15 °C, Wasser 27 °C, Luftfeuchtigkeit 70%			
Heizkapazität (kW)	1.9	3.2	4.2
Leistungsaufnahme (kW)	0.56	0.91	1.2
COP	3.4	3.5	3.5
* Stromversorgung			
Stromversorgung (V)	220-240V~50Hz/1PH		
Betriebsstrom (A)	2.6	4.4	5.8
Mini- Sicherung (A)	7.5	10	16
Maximales Poolvolumen**(m ³)	<20	<30	<40
Minimaler und empfohlener Wasserdurchfluss (m ³ /h)	2	2	2.5
Maximaler / minimaler Betriebsdruck (Mpa)	4.2/0.05		
Maximaler Druckverlust (Kpa)	15	15	15
Wärmetauscher	Titanium-Wärmetauscher		
Schutzart	IPX4		
Wasserverbindung (mm)	38/32		
Lüftergeschwindigkeit (rpm)	2500	1100	1100
Geräuschpegel at 10m dB(A)	48	46	46
Geräuschpegel at 1m dB(A)	57	55	55
Kältemitteltyp R32 (g)	160	290	400
*Abmessungen und Gewicht			
Nettogewicht (kg)	18	26	30
Verpackungsgewicht (kg)	19	28.5	33
Gesamtabmessungen (mm)	313*364.5*428.5	435*436.5*511.5	515*487*541.5
Verpackungsabmessungen (mm)	380*455*500	496*525*575	570*570*605

* Die obigen Daten können ohne vorherige Ankündigung geändert werden

** Weitere Informationen finden Sie auf unserer Verpackung oder Website.

2. Transport

2.1 Produktlieferung und Verpackung



Für den Transport werden die Wärmepumpen auf der Palette fixiert und in einem Karton eingepackt.

Um diese vor Beschädigungen zu schützen, muss die Wärmepumpe in dieser Verpackung transportiert werden.

Es liegt in der Verantwortung des Empfängers, Schäden, die während der Lieferung entstehen, innerhalb von 48 Stunden zu melden. Nach Übernahme des Geräts kann keine Verantwortung mehr übernommen werden.

2.2 Lagerung



* Das Lager sollte hell, geräumig, offen, gut belüftet, mit Lüftungsanlagen und ohne Brandquelle ausgestattet sein.

* Wärmepumpen müssen in der Originalverpackung gelagert und vertikal transportiert werden. Ist dies nicht der Fall, kann das Gerät erst nach Ablauf einer Mindestdauer von 24 Stunden betrieben werden, bevor es eingeschaltet werden kann.

VERBOTEN



2.3 Transport zum endgültigen Aufstellungsort

* Beim Auspacken des Produkts und beim Transport von der Palette zum endgültigen Aufstellungsort ist es notwendig, die Wärmepumpe in einer vertikalen Position zu halten.

* Rauchen und Flammen sind in der Nähe der R32-Maschine verboten.

Der Wasseranschluss darf nicht als Lastaufnahmemittel verwendet werden, der Hersteller übernimmt keine Verantwortung.

Nachdem alle Verbindungen hergestellt und überprüft wurden, führen Sie die folgenden Schritte aus:

1. Schalten Sie die Filterpumpe ein. Überprüfen Sie diese auf Undichtigkeiten und stellen Sie sicher, dass das Wasser zum und vom Schwimmbad fließt.

2. Schließen Sie die Stromversorgung der Wärmepumpe an und drücken Sie die Ein-/Aus-Taste auf dem elektronischen Bedienfeld. Das Gerät startet nach Ablauf der Zeitverzögerung (siehe unten).

3. Überprüfen Sie nach einigen Minuten, ob die aus dem Gerät austretende Luft kühler ist.

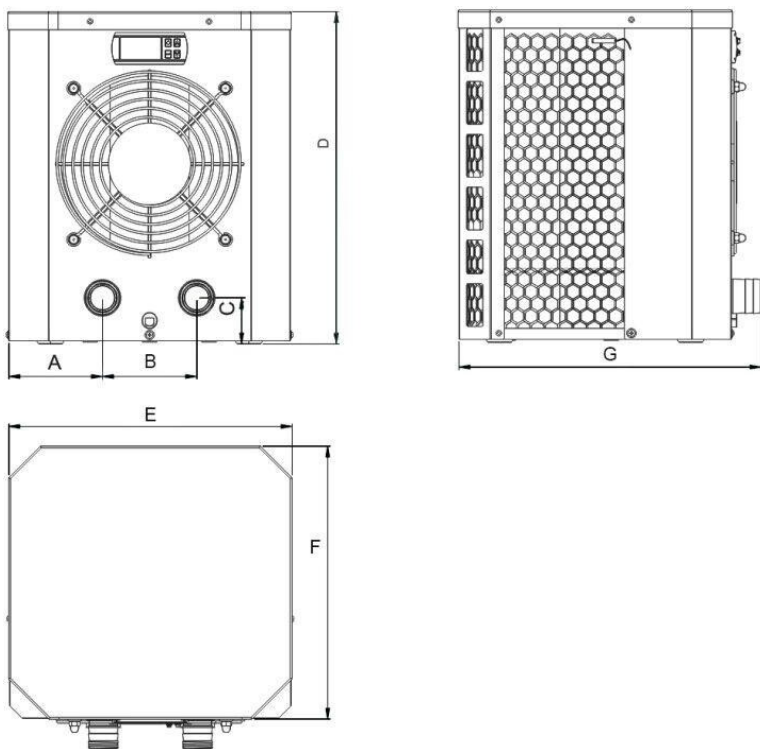
4. Wenn die Filterpumpe ausgeschaltet ist, sollte sich das Gerät auch automatisch ausschalten.

5. Lassen Sie die Wärmepumpe und die Filterpumpe 24 Stunden am Tag laufen, bis die gewünschte Wassertemperatur erreicht ist. Die Wärmepumpe stoppt. Danach wird sie automatisch neu gestartet (solange die Filterpumpe läuft), wenn die Wassertemperatur im Schwimmbad um 2 Grad unter die eingestellte Temperatur fällt (z.B. wenn Sie die Temperatur 28°C einstellen, stoppt die Wärmepumpe bei einer Temperatur von 28°C. Sie läuft wieder an, wenn die Wassertemperatur auf 26°C sinkt.)

Abhängig von der anfänglichen Wassertemperatur im Pool und der Lufttemperatur kann es unter Umständen einige Tage dauern, bis das Wasser die gewünschte Temperatur erreicht hat. Eine gute Schwimmbadabdeckung kann die erforderliche Zeitspanne erheblich verkürzen.

* bei Schäden an den Wasserleitungen.

3. Abmessungen



Modelle/ (mm)	A	B	C	D	E	F	G
HPM20	90.4	130	50	428.5	313	300	364.5
HPM30	116.5	200	50	511.5	435	365	436.5
HPM40	134.6	260	50	541.5	515	421	487

4. Einbau und Anschluss

Achtung:

Bitte beachten Sie bei der Installation der Wärmepumpe die folgenden Regeln:

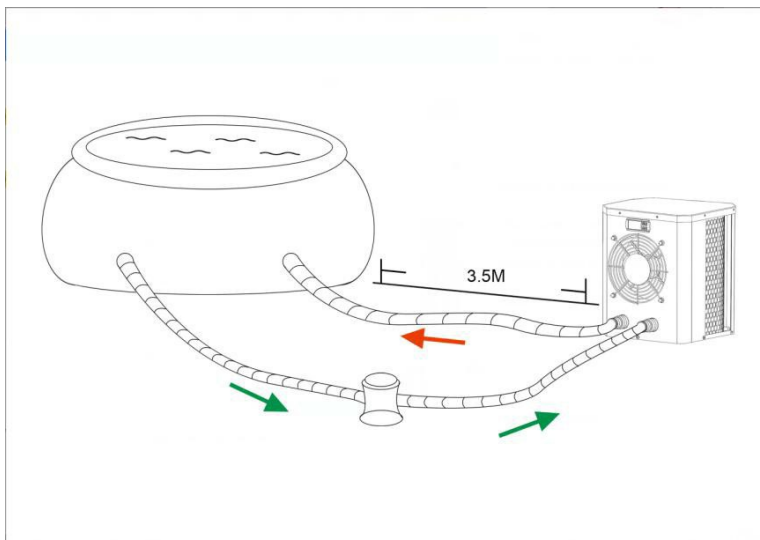
1. Die Zugabe von Chemikalien muss in den der Wärmepumpe nachgeschalteten Rohrleitungen erfolgen.
2. Halten Sie die Wärmepumpe immer aufrecht. Wenn das Gerät in einem Winkel gehalten wurde, warten Sie mindestens 24 Stunden, bevor Sie die Wärmepumpe mit Netzstrom versorgen.

4.1 Positionierung der Wärmepumpe

Das Gerät funktioniert an jeder gewünschten Stelle einwandfrei, solange die folgenden drei Punkte vorhanden sind:

- 1. Frische Luft – 2. Elektrizität – 3. Schwimmbeckenfilter**

Das Gerät kann an nahezu jedem Außenstandort installiert werden, solange die vorgeschriebenen Mindestabstände zu anderen Objekten eingehalten werden (siehe Zeichnung unten). Für die Installation in einem Hallenbad wenden Sie sich bitte an Ihren Installateur. Die Installation an einem windigen Ort stellt kein Problem dar.



ACHTUNG: Installieren Sie das Gerät niemals in einem geschlossenen Raum mit einem begrenzten Luftvolumen, in dem die aus dem Gerät austretende Luft wiederverwendet wird, oder in der Nähe von Sträuchern, die den Lufteinlass blockieren könnten. Solche Stellen beeinträchtigen die kontinuierliche Frischluftzufuhr, was zu einem verminderten Wirkungsgrad führt und möglicherweise eine ausreichende Wärmeleistung verhindert.

4.2 Erstinbetriebnahme

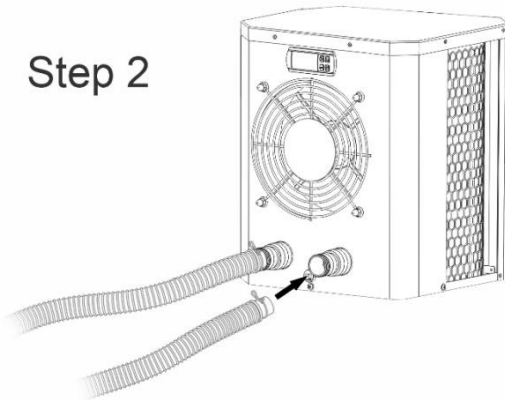
Hinweis: Um das Wasser im Pool (oder Whirlpool) zu erwärmen, muss die Filterpumpe laufen, um das Wasser durch die Wärmepumpe zu zirkulieren. Wenn das Wasser nicht durchfließt, löst die Wärmepumpe den Überhitzungsschutz aus und führt zu einer Abschaltung.

4.3 Schlauchverbindung

Step 1



Step 2

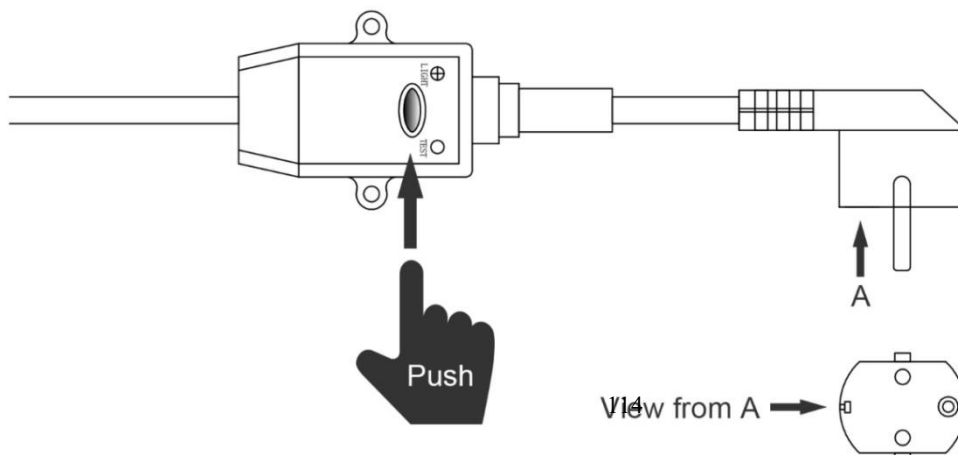


Anmerkung:

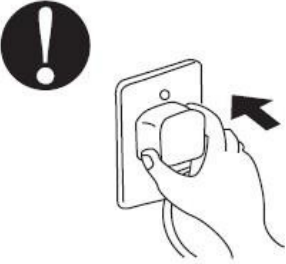
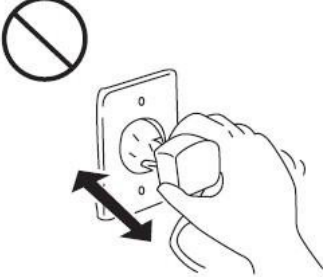
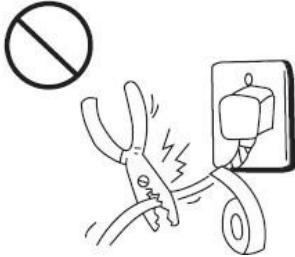
Das Werk liefert nur die Wärmepumpe. Alle anderen Komponenten, einschließlich zweier Schläuche, müssen vom Benutzer oder vom Installateur bereitgestellt werden.

4.4 Stromanschluss

Vergewissern Sie sich vor dem Anschließen des Gerätes, dass die Versorgungsspannung mit der Betriebsspannung der Wärmepumpe übereinstimmt. Der RCD-Stecker wurde mit dem Netzkabel mitgeliefert, das einen elektrischen Schutz bieten kann. Die Testtaste dient zur Überprüfung der Leistungsfähigkeit des Leistungsschalters.



Anmerkung:

<p>Stellen Sie sicher, dass der Netzstecker fest sitzt</p> <p>Wenn der Stecker nicht sicher ist, kann dies einen elektrischen Schlag, Überhitzung oder Feuer verursachen</p> 	<p>Ziehen Sie niemals den Netzstecker während des Betriebs heraus</p> <p>Andernfalls kann es aufgrund von Überhitzung zu einem Stromschlag oder Feuer kommen.</p> 	<p>Verwenden Sie niemals beschädigte elektrische Kabel oder nicht spezifizierte elektrische Kabel.</p> <p>Andernfalls kann es zu einem Stromschlag oder einem Brand kommen.</p> 
---	--	--

Nachdem alle Verbindungen hergestellt und überprüft wurden, führen Sie die folgenden Schritte aus:

1. Schalten Sie die Filterpumpe ein. Überprüfen Sie auf Undichtigkeiten und stellen Sie sicher, dass das Wasser zum und vom Schwimmbad fließt.
2. Schließen Sie die Stromversorgung der Wärmepumpe an und drücken Sie die Ein-/Aus-Taste auf dem elektronischen Bedienfeld. Das Gerät startet nach Ablauf der Zeitverzögerung (siehe unten).
3. Überprüfen Sie nach einigen Minuten, ob die aus dem Gerät austretende Luft kühler ist.
4. Wenn die Filterpumpe ausgeschaltet ist, sollte sich das Gerät auch automatisch ausschalten.
5. Lassen Sie die Wärmepumpe und die Filterpumpe 24 Stunden am Tag laufen, bis die gewünschte Wassertemperatur erreicht ist. Die Wärmepumpe stoppt. Danach wird sie automatisch neu gestartet (solange die Filterpumpe läuft), wenn die Wassertemperatur im Schwimmbad um 2 Grad unter die eingestellte Temperatur fällt (z.B. wenn Sie die Temperatur 28°C einstellen, stoppt die Wärmepumpe bei einer Temperatur von 28°C. Sie läuft wieder an, wenn die Temperatur des Wassers auf 26°C sinkt.)

Abhängig von der anfänglichen Wassertemperatur im Schwimmbad und der Lufttemperatur kann es mehrere Tage dauern, bis das Wasser die gewünschte Temperatur erreicht ist. Eine gute Schwimmbadabdeckung kann die erforderliche Zeitspanne erheblich verkürzen.

Zeitverzögerung - Die Wärmepumpe verfügt über eine eingebaute 3-minütige Anlaufverzögerung, um die Schaltung zu schützen und übermäßigen Verschleiß des elektrischen Schützes zu vermeiden. Nach Ablauf dieser Zeitspanne startet das Gerät automatisch neu. Schon eine kurze Stromunterbrechung löst diese Zeitverzögerung aus und verhindert einen sofortigen Neustart des Gerätes. Zusätzliche Stromunterbrechungen während dieser Verzögerungszeit haben keinen Einfluss auf die 3-minütige Dauer der Verzögerung.

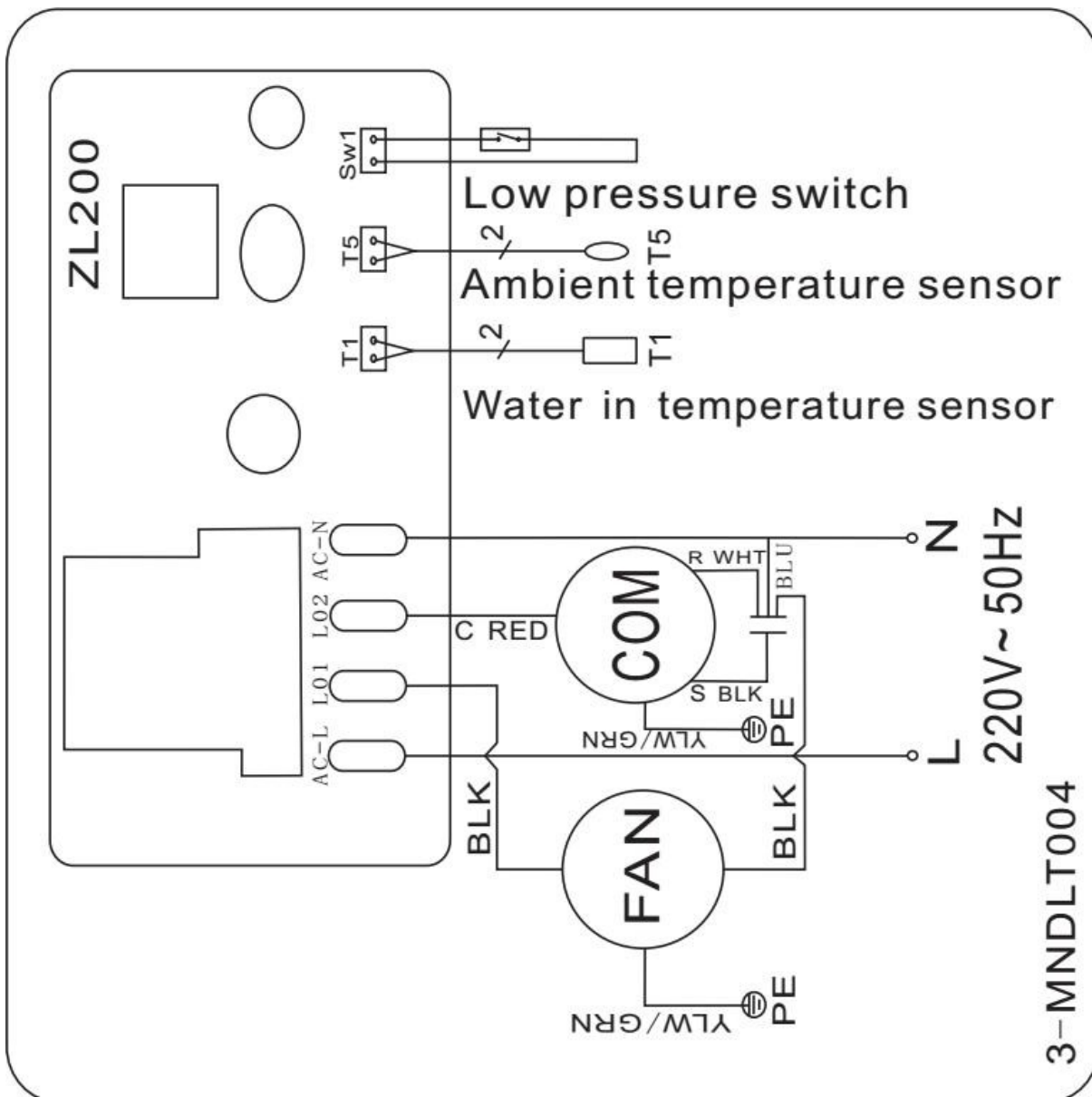
4.5 Kondensation

Die in die Wärmepumpe angesaugte Luft wird durch den Betrieb der Wärmepumpe zur Erwärmung des Beckenwassers gekühlt, was zu Kondensation an den Lamellen des Verdampfers führen kann. Die Kondensationsmenge kann bei hoher Luftfeuchtigkeit bis zu mehreren Würfeln pro Stunde betragen. Das Kondenswasser wird vom Boden der Wärmepumpe abfließen. Dies wird manchmal fälschlicherweise als Wasserleck angesehen.

5. Verkabelung

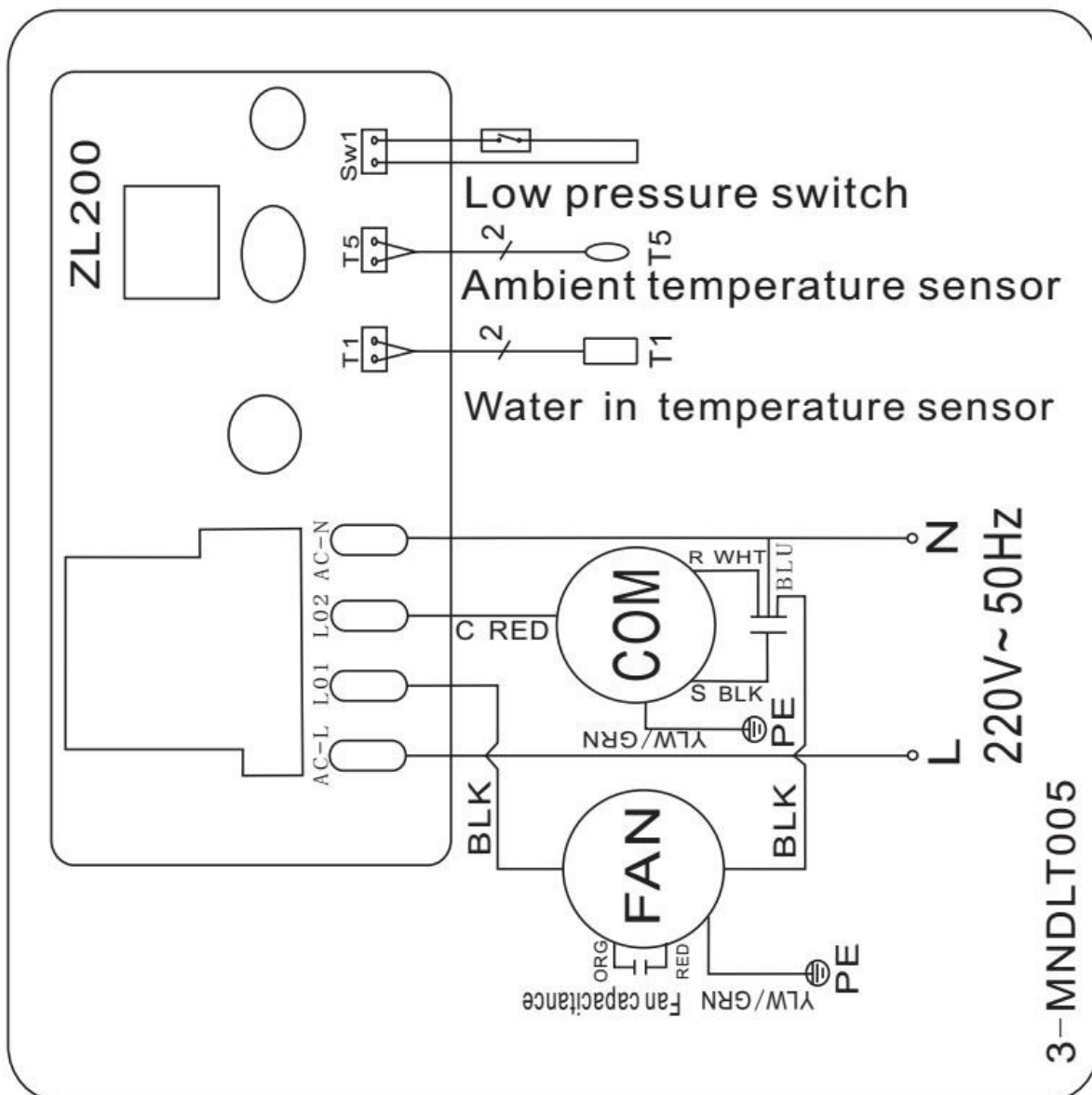
5.1 ELEKTROLEITPLAN DER POOL-WÄRMEPUMPE

HPM20



5.2 ELEKTROLEITPLAN DER POOL-WÄRMEPUMPE

HPM30/HPM40



ANMERKUNG:

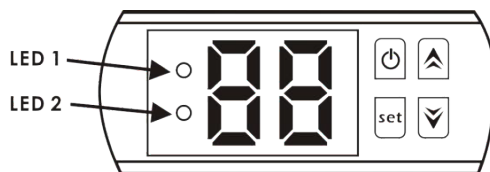
(1) Oberhalb des elektrischen Schaltplans nur zu Ihrer Information, bitte beachten Sie das Maschenschild für den Schaltplan.

(2) Die Pool-Wärmepumpe muss an eine Erdleitung angeschlossen werden, obwohl der Wärmetauscher der Einheit vom Rest der Einheit galvanisch getrennt ist. Die Erdung des Geräts ist weiterhin erforderlich, um Sie vor Kurzschlüssen im Inneren des Geräts zu schützen. Außerdem ist eine Verklebung erforderlich.

Trennung: Ein Mittel zum Trennen sollte sich in Sichtweite des Geräts befinden und leicht zugänglich von diesem aus zugänglich sein (Leistungsschalter, abgesicherter oder ungesicherter Schalter). Dies ist bei gewerblichen und privaten Wärmepumpen üblich. Es verhindert die Fernaktivierung unbeaufsichtigter Geräte und ermöglicht das Abschalten der Stromversorgung am Gerät während der Wartung des Geräts.

6. Bedienung des Display-Controllers

6.1 Die Tasten der LED-Kabelsteuerung




Wenn die Wärmepumpe läuft, dann zeigt der LED Bildschirm die Wassereintrittstemperatur.

LED 1 leuchtet, wenn der Kompressor läuft.

LED 2 leuchtet bei Problemen.



6.2 Starten oder Stoppen Sie die Wärmepumpe

Drücken Sie , um die Wärmepumpe zu starten. Der LED-Bildschirm zeigt die gewünschte Wassertemperatur für 5 Sekunden, und dann die Wassereintrittstemperatur.

Drücken Sie , um die Wärmepumpe zu deaktivieren.






6.3 Wassertemperatureinstellung

Drücken Sie  und , um die gewünschte Wassertemperatur einzustellen (10—42°C)

Drücken Sie  und  erneut, um die neuen Einstellungen zu speichern.

Achtung: Die Pumpe kann nur dann arbeiten, wenn das Wasserzirkulations- und Filtersystem arbeitet.

6.4 Wie sie die Parameter überprüfen

Drücken Sie , es wird die Parameterprüfung eingegeben, drücken Sie  und  um den Code d0 / d1 zu wählen, Drücken Sie , es zeigt den gemessenen Wert an. Zuletzt drücken Sie  zum Beenden.

Code	Parameter
d0	Umgebungstemperatur
d1	Wassertemperatur

Hinweis: Die Parameterdaten können nicht von Endbenutzern festgelegt werden.

7. Fehlerbehebung

7.1 Fehlercodeanzeige auf einer LED-Kabelsteuerung

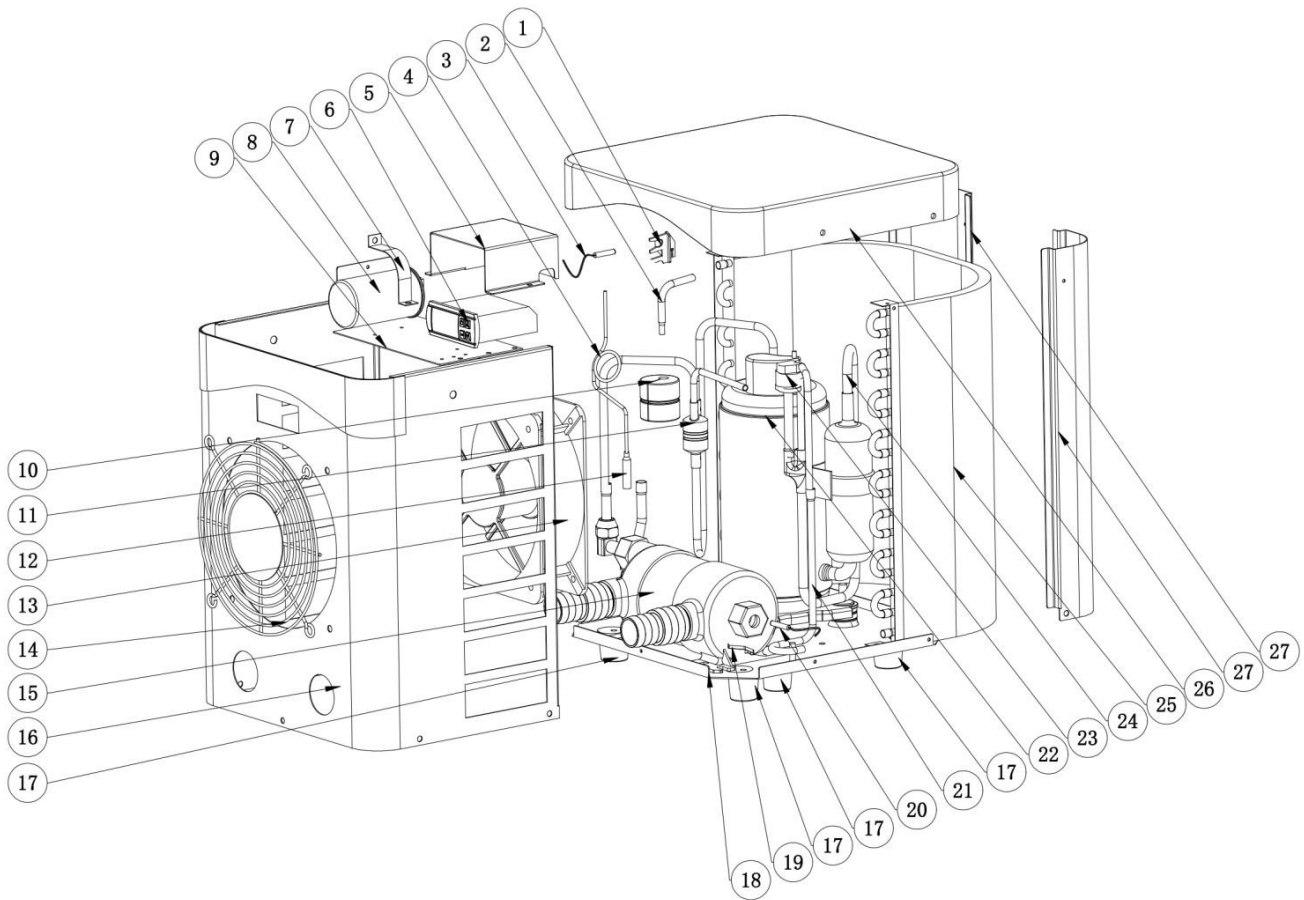
Zu niedriger Umgebungstemperaturschutz	P0	<ol style="list-style-type: none">1. Die Umgebungstemperatur liegt unter 12 ° C.2. Steuerungsfehler	<ol style="list-style-type: none">1. Warten Sie, bis die Umgebungstemperatur auf 13 ° C gestiegen ist.2. Ersetzen Sie den Controller.
Wassertemperatursensor-Fehler	P1	Wassertemperatursensor Unterbrechung oder Kurzschluss.	Ersetzen Sie den Wassertemperatursensor.
Ausfall des Umgebungstemperatursensors	P2	Umgebungstemperatursensor Unterbrechung oder Kurzschluss.	Ersetzen Sie den Umgebungstemperatursensor.
Niederdruckschutz	EL	<ol style="list-style-type: none">1. Niederdruckschalter nicht angeschlossen oder defekt.2. Ausströmen von Gas.	Es muss von den professionellen Technikern repariert werden.

7.2 Andere Fehlfunktionen und ihre Lösung (werden nicht auf der LED-Kabelsteuerung angezeigt)

Fehlfunktion	Anzeichen	Ursachen	Lösung
Wärmepumpe läuft nicht	LED-Kabelsteuerung hat keine Anzeige.	Keine Stromzufuhr	Check cable and circuit breaker if it is connected.
	LED-Kabelsteuerung zeigt die aktuelle Wassertemperatur an.	<ol style="list-style-type: none"> 1. Wassertemperatur erreicht den vorgesehenen Wert, HP ist auf konstantem Temperaturniveau 2. Wärmepumpe hat erst zu arbeiten angefangen 	<ol style="list-style-type: none"> 1. Überprüfen Sie die Wassertemperatureinstellungen. 2. Starten Sie die Wärmepumpe nach ein paar Minuten.
Kurze Laufzeiten	LED-Bildschirm zeigt aktuelle Wassertemperatur an, kein Fehlercode wird angezeigt.	<ol style="list-style-type: none"> 1. Ventilator läuft nicht 2. Luftzirkulation ist nicht ausreichend. 3. Unzureichende Kühlmittel. 	<ol style="list-style-type: none"> 1. Überprüfen Sie die Kabelverbindungen zwischen dem Motor und dem Ventilator. Wenn nötig sollten Sie ersetzt werden. 2. Überprüfen Sie die Position der Wärmepumpeneinheit, und entfernen Sie alle Hindernisse um eine optimale Luftzirkulation zu erreichen. 3 Ersetzen oder reparieren Sie die Wärmepumpeneinheit.
Wasserflecken	Wasserflecken auf der Wärmepumpeneinheit	<ol style="list-style-type: none"> 1. Beton. 2. Wasserlecke. 	<ol style="list-style-type: none"> 1. Nichts tun. 2. Überprüfen Sie den Luft-Wärmewechsler auf Defekte.

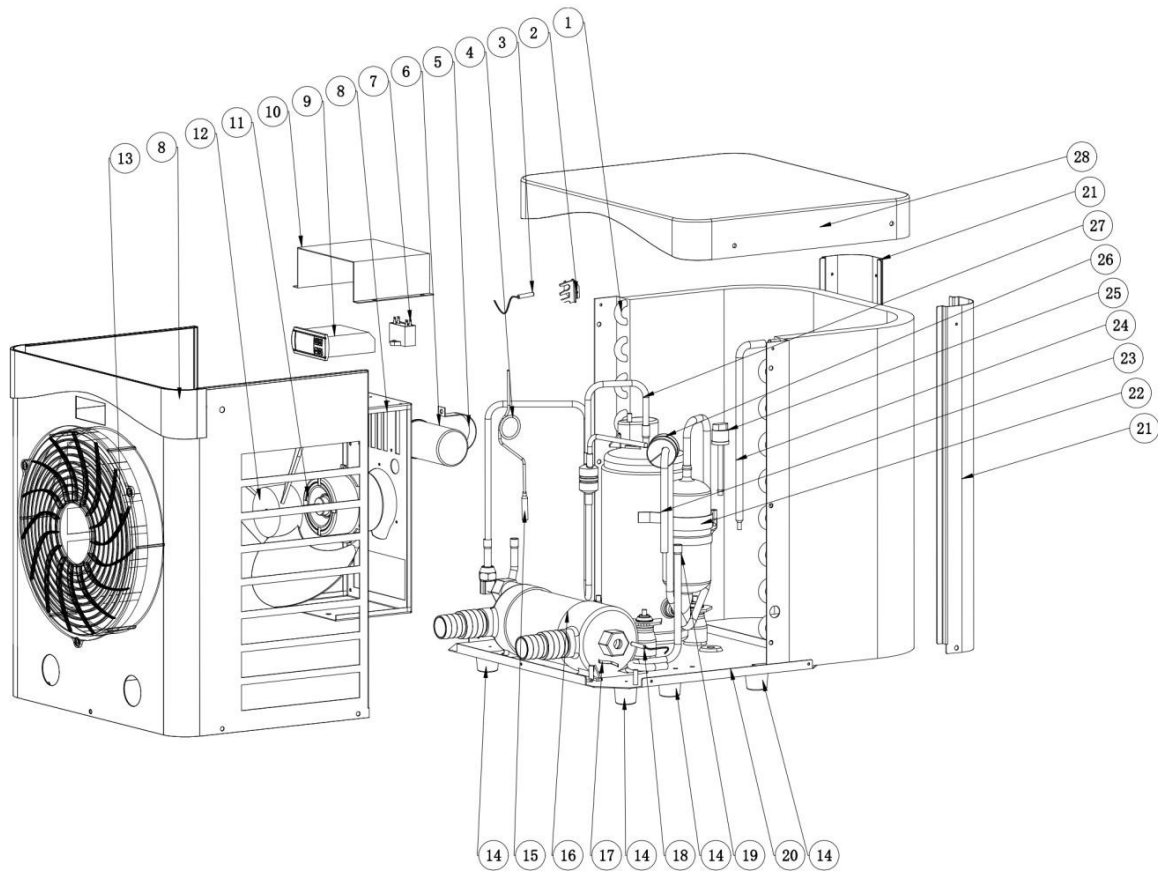
8. Explosionszeichnung

Gerät: HPM20



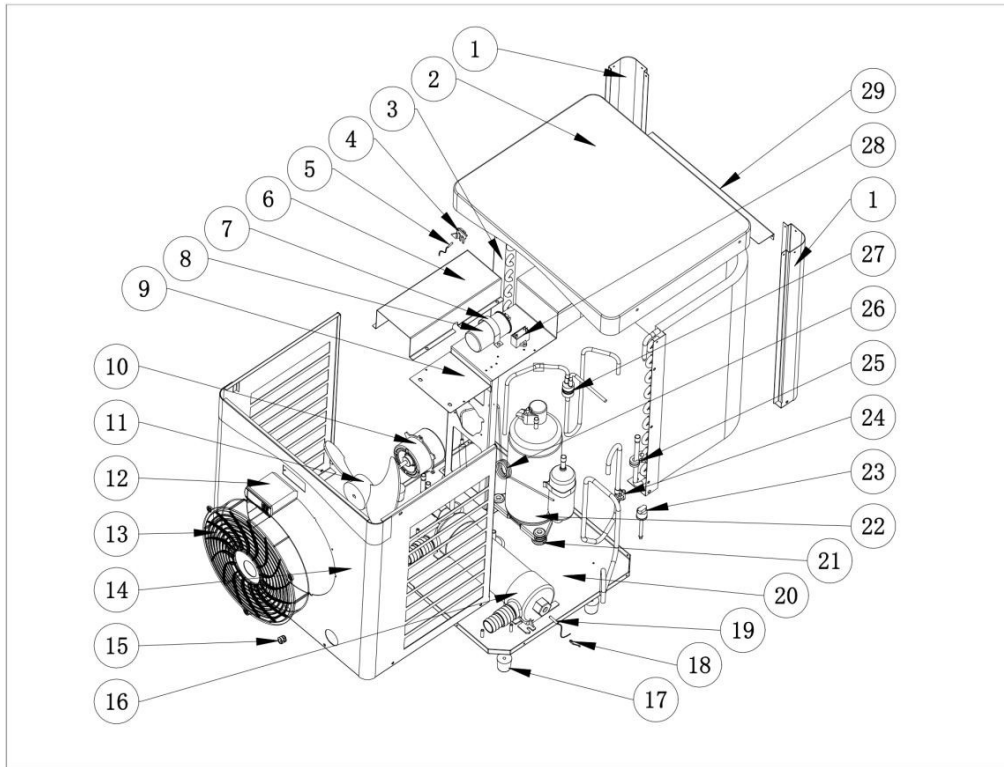
Nr.	Bezeichnung der Teile	HPM20	Nr.	Bezeichnung der Teile	HPM20
1	Clip du capteur de température	102040891	15	Titanaustauscher	102040891
2	Tube gaz	108680047	16	Frontblende	108680047
3	Sonde de température T5	136020168	17	GummifüÙe	136020168
4	Capillaire	108680045	18	Base	108680045
5	Coffret électrique	108010025	19	Clip	108010025
6	Contrôleur	117110068	20	Wasser in Temp. Sensor T1	117110068
7	Clip de fixation	113050123	21	Gassammelrohr	113050123
8	Condensateur compresseur	101000233	22	Kompressor	101000233
9	Panneau supérieur ventilateur	116000091	23	Niederdruckschalter	116000091
10	Marteau en caoutchouc antichoc	113010300	24	Abgasrohr	113010300
11	Tubería de retorno de gas	103000236	25	Verdampfer	103000236
12	Tube gaz	133400001	26	Obere Abdeckung	133400001
13	Support ventilateur	108680046	27	Säule	108680046
14	Kühlergrill	108680017			

Gerät: HPM30



Nr.	Ersatzteile	HPM30	Nr.	Ersatzteile	HPM30
1	Verdampfer	103000237	16	Kupferrohr	113100027
2	Umgebungstemperatur-Sensorclip	133020010	17	Titanaustauscher	102040900
3	Umgebungstemperatur. Sensor T5	117110079	18	Clip	108010025
4	Kapillar	109000038	19	Wasser in Temp. Sensor T1	117110068
5	Kompressor-Kapazitätsklemme	108010006	20	Gassammelrohr	113050125
6	Verdichterkapazität	111000011	21	Base	108690033
7	Lüfterkondensator	111000034	22	Säule	108690048
8	Frontplatte montieren	108690047	23	Kompressor	101000232
9	Regler	117020189	24	Gasrückführung	113020467
10	Elektrische Box	108690015	25	Kupferrohr	113420129
11	Lüftermotor	112000054	26	Niederdruckschalter	116000091
12	Ventilatorflügel	132000024	27	Stoßfester Gummihammer	136020026
13	Kühlergrill	133020052	28	Abgasrohr	113010351
14	Gummifüße	136020168	29	Obere Abdeckung	133330004

Gerät: HPM40



Nr.	Ersatzteile	HPM40	Nr.	Ersatzteile	HPM40
1	Säule	108950009	16	Titanaustauscher	117020363
2	Obere Abdeckung	133440001	17	Gummifüße	136020168
3	Verdampfer	103000343	18	Tauscher Temperatursensor Clip	108010025
4	Umgebungstemperatur.	133020010	19	Wasser in Temp. Sensor T1	117110068
5	Wasser in Temp. Sensor T1	117110068	20	Base	108950007
6	Elektrische Box	108950006	21	Kompressor Gummifüße	101000241
7	Kompressor-Kapazitätsklemme	108010006	22	Kompressor	101000241
8	Verdichterkapazität	111000012	23	Niederdruckschalter	116000091
9	Lüftermotorhalterung	108950010	24	Gasrückführung	113020602
10	Lüftermotor	112000079	25	Gummi	136020018
11	Ventilatorflügel	132000024	26	Kapillar	109000038
12	Regler	117020302	27	Abgasrohr	113020624
13	Kühlergrill	133020052	28	Lüfterkondensator	111000034
14	Frontplatte montieren	108950008	29	Trägerplatte der Motorhalterung	108950011
15	Netzkabelschnalle	142000126			

9. Wartung

(1) Sie sollten das Wasserversorgungssystem regelmäßig überprüfen, um zu verhindern, dass Luft in das System eindringt und ein niedriger Wasserdurchfluss entsteht, da dies die Leistung und Zuverlässigkeit des HD-Gerätes beeinträchtigen würde.

(2) Reinigen Sie Ihre Becken und Ihr Filtersystem regelmäßig, um Schäden am Gerät zu vermeiden.

(3) Bitte entleeren Sie das Wasser in der Wärmepumpe immer im Winter oder wenn die Umgebungstemperatur unter 0 ° C fällt. Andernfalls wird der Titan-Wärmetauscher durch Gefrieren beschädigt. In diesem Fall geht Ihre Garantie verloren

(4) Überprüfen Sie den Wasserstand vor dem Start des Gerätes nach einer längeren Nutzungspause.

(5) Wenn das Gerät in Betrieb ist, tritt Kondensat aus dem Boden des Gerätes aus. Das ist normal.

10. Zubehör



MINI HEATER

Manuale di Uso e Manutenzione

INDICE

1. Specifiche
2. Trasporto
3. Dimensioni
4. Installazione e collegamento
5. Cablaggio elettrico
6. Controller display di funzionamento
7. Risoluzione dei problemi
8. Esplosi
9. Manutenzione
10. Accessori



ATTENTION: Il presente manuale comprende tutte le informazioni necessarie all'utilizzo e all'installazione della vostra pompa di calore.

L'installatore deve leggere attentamente il manuale e seguire le istruzioni per la messa in funzione e la manutenzione.

L'installatore è responsabile dell'installazione del prodotto e deve seguire tutte le istruzioni del produttore e regolamenti in vigore. Un'errata installazione porterà alla nullità della garanzia.

Il produttore declina ogni responsabilità per danni causati a terzi, infiltrazioni di oggetti ed errori dovuti a un mancato rispetto delle linee guida. Ogni uso che differisca da quello inteso dal produttore condurrà all'invalidazione della garanzia.

Grazie per aver scelto Mini Heater per riscaldare la vostra piscina, riscalderà l'acqua e manterrà costante la temperatura con una temperatura dell'aria superiore ai 12°C.

1. Specifiche

1.1 Dati tecnici per pompe di calore per piscine

Articolo	HPM20	HPM30	HPM40
Codice	71245	71258	71606
* Capacità di riscaldamento con Aria a 28°C, Acqua a 28°C, Umidità all'80%			
Capacità di riscaldamento (kW)	2.5	4.2	5.5
Consumo energetico (kW)	0.59	1	1.31
COP	4.2	4.2	4.2
* Capacità di riscaldamento con Aria a 15°C, Acqua a 26°C, Umidità al 70%			
Produzione di calore (kW)	1.9	3.2	4.2
Consumo energetico (kW)	0.56	0.91	1.2
COP	3.4	3.5	3.5
* Dato generali			
Voltaggio (V)	220-240V~50Hz/1PH		
Corrente nominale (A)	2.6	4.4	5.8
Fusibile di protezione (A)	7.5	10	16
Volume massimo della piscina ** (m3)	<20	<30	<40
Portata d'acqua minima e consigliata (m3/h)	2	2	2.5
Pressione di esercizio massima/minima (Mpa)	4.2/0.05		
Caduta di pressione dell'acqua (Kpa)	15	15	15
Scambiatore di calore	Scambiatore in titanio in PVC		
Grado di protezione	IPX4		
Tubo di entrata-uscita dell'acqua (mm)	38/3		
Velocità del ventilatore (rpm)	2500	1100	1100
Pressione sonora (10m) dB(A)	48	46	46
Pressione sonora (1m) dB(A)	57	55	55
Carica in g di gas refrigerante (R32)	160	290	400
* Dimensioni/Peso			
Peso netto (kg)	18	26	30
Peso lordo (kg)	19	28.5	33
Dimensioni nette (mm)	313*364.5*428.5	435*436.5*511.5	515*487*541.5
Dimensioni dell'imballo (mm)	380*455*500	496*525*575	570*570*605

* Le succitate specifiche possono essere soggette a modifica senza previa comunicazione.

** Controlla la nostra confezione o il nostro sito web per maggiori dettagli.

2. Trasporto

2.1 Consegna dell'imballo



Per essere trasportate, le pompe di calore vengono fissate su un pallet e imballate con una scatola di cartone. Per proteggerle da qualsiasi tipo di danno, la pompa di calore deve essere movimentata unitamente al proprio imballo.

È responsabilità in capo al destinatario notificare qualsiasi danno occorso durante la consegna. La notifica deve essere apposta, sotto forma di riserva motivata, sul ddt di consegna. Per i danni occulti, da notificare entro 8 giorni dal ricevimento, fare riferimento al Codice Civile. Non verrà assunta alcuna responsabilità dopo che l'unità è stata accettata.

2.2 Stoccaggio



* Il magazzino deve essere luminoso, spazioso, aperto, ben ventilato, deve disporre di sistema per la ventilazione ed essere privo di fonti di ignizione.

* Le pompe di calore devono essere immagazzinate e movimentate in posizione verticale utilizzando il loro imballo originale. Se ciò non avviene, è necessario che siano trascorse 24 ore prima che le unità possano essere collegate all'alimentazione e accese.

VIETATO



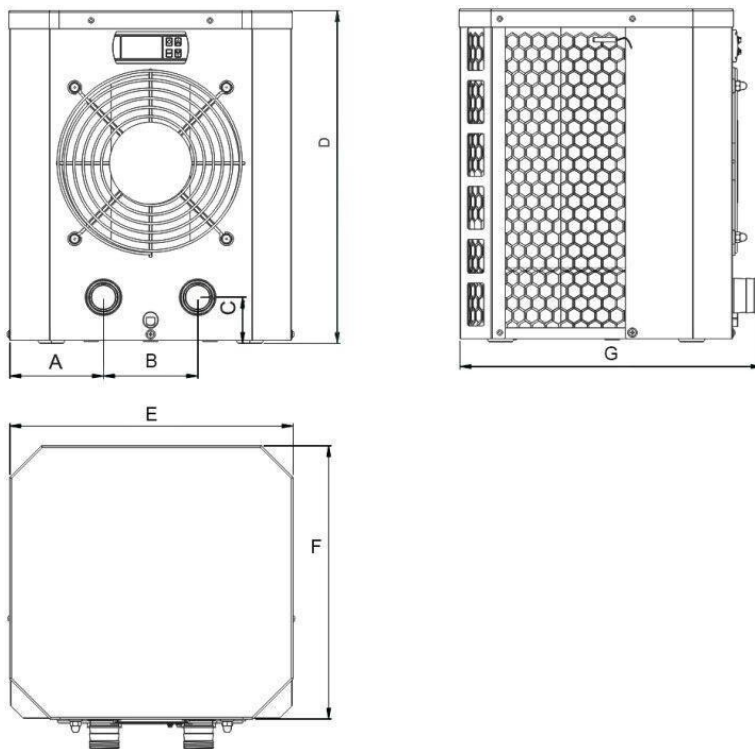
2.3 Movimentazione alla posizione definitiva

* Durante le operazioni per disimballare il prodotto e durante il suo trasferimento dal pallet al luogo di definitiva installazione, è necessario mantenere la pompa di calore in posizione verticale.

* È vietato fumare e utilizzare fiamme libere in prossimità di un'apparecchiatura che funzioni a R32.

Il collegamento idrico non deve essere utilizzato come maniglia di carico. **Il produttore non si assumerà alcuna responsabilità in caso di danni alle tubature dell'acqua.**

3. Dimensioni



Articolo / (mm)	A	B	C	D	E	F	G
HPM20	90.4	130	50	428.5	313	300	364.5
HPM30	116.5	200	50	511.5	435	365	436.5
HPM40	134.6	260	50	541.5	515	421	487

4. Installazione e collegamento

Attenzione:

Quando si installa la pompa di calore, si prega di osservare le seguenti indicazioni:

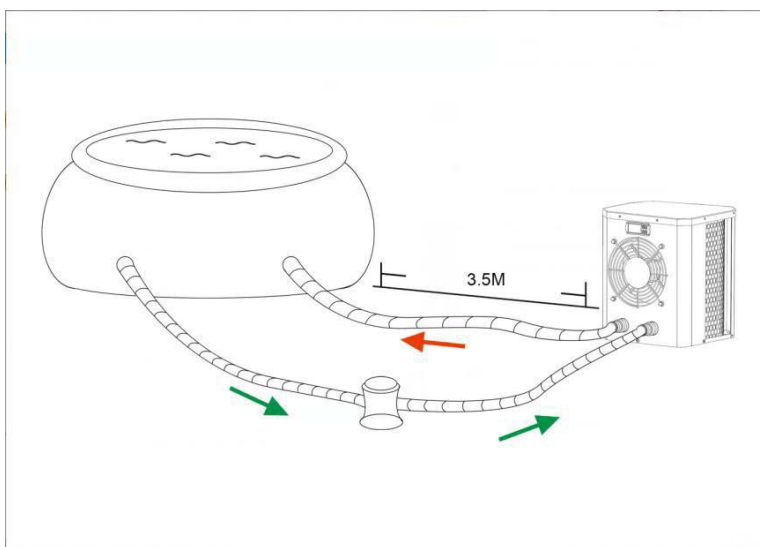
1. Qualsiasi aggiunta di prodotti chimici deve avvenire nella tubatura che si trova **a valle** della pompa di calore .
2. Tenete sempre la pompa di calore in posizione verticale. Se l'unità è stata inclinata, attendete almeno 24 ore prima di alimentare elettricamente la pompa di calore.

4.1 Posizionamento della pompa di calore

L'unità funzionerà adeguatamente in qualsiasi auspicata posizione laddove siano presenti i seguenti tre fattori:

- 1. Aria pulita – 2. Elettricità – 3. Filtri per piscina**

In linea di principio, l'unità può essere installata in qualsiasi luogo all'**esterno** sempre e quando vengano mantenute le distanze minime stabilite rispetto agli altri oggetti (cfr. disegno a seguire). Si prega di consultare il proprio installatore per un'installazione in una piscina coperta. Eventuali installazioni in luoghi ventosi non presentano alcun tipo di problema.



ATTENZIONE: Mai installare l'unità in una stanza chiusa con un volume d'aria limitato in cui l'aria espulsa dall'unità venga riutilizzata, o in prossimità di siepi che potrebbero bloccare l'entrata dell'aria. Tali posizioni compromettono la fornitura continuativa di aria pulita, avendo come risultanza una ridotta efficienza e impedendo potenzialmente una sufficiente produzione di calore.

4.2 Funzionamento iniziale

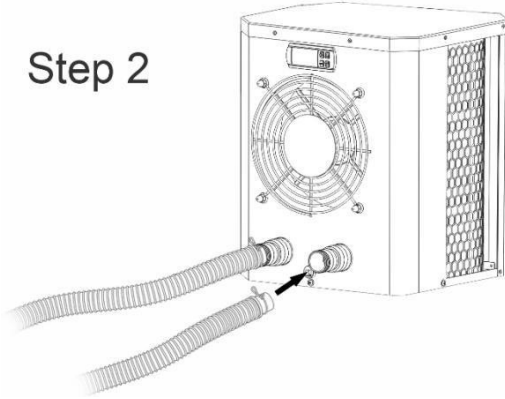
Per riscaldare l'acqua della piscina (o della vasca idromassaggio), la pompa del filtro deve essere in funzione in modo da far circolare l'acqua attraverso la pompa di calore. Se l'acqua non scorre, la pompa di calore attiverà la protezione contro il surriscaldamento e causerà uno spegnimento.

4.3 Collegamento del tubo

Step 1



Step 2

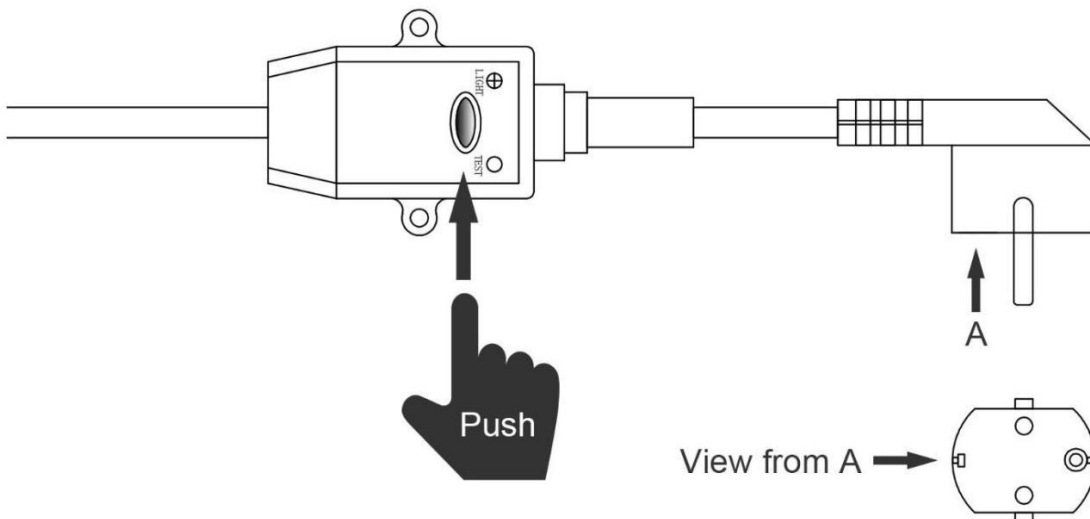


Nota:

La fabbrica fornisce solo la pompa di calore. Tutti gli altri componenti, compresi i due tubi, devono essere forniti dall'utente o dall'installatore.

4.4 Collegamento elettrico


Prima di collegare l'unità, controllare che l'alimentazione sia corretta per il voltaggio per cui è progettata la pompa di calore. La spina RCD è stata fornita con il suo cavo di alimentazione, il che può offrire una protezione elettrica. Il pulsante di test serve per controllare la capacità dell'interruttore.



Attenzione:

<p>Accertatevi che la spina sia sicura</p> <p>Se la spina non è sicura, può causare folgorazione, surriscaldamento o incendi</p> 	<p>Non togliere mai la spina in corso di funzionamento</p> <p>Ciò potrebbe essere causa di folgorazione o di un incendio da surriscaldamento.</p> 	<p>Non usare mai cavi elettrici danneggiati o non rispondenti alle specifiche</p> <p>Ciò potrebbe essere causa di folgorazione o incendio.</p> 
---	--	---

Una volta effettuati e verificati tutti i collegamenti, effettuare la seguente procedura:

1. Accendere la pompa a filtro. Controllare la presenza di eventuali perdite e verificare che l'acqua stia fluendo da e per la piscina.
2. Alimentare la pompa di calore e premete il tasto On/Off  sul pannello di controllo. L'unità si avvierà una volta conclusosi il tempo di ritardo programmato(vedi sotto).
3. Dopo pochi minuti, verificare che l'aria emessa dall'unità sia più fredda.
4. Quando la pompa di filtrazione viene spenta, anche l'unità dovrebbe spegnersi automaticamente.
5. Consentire alla pompa di calore e alla pompa di filtrazione di funzionare 24 ore su 24 fino a che non sia raggiunta la temperatura dell'acqua desiderata(primo riscaldamento). La pompa di calore cesserà di funzionare una volta raggiunta detta temperatura. Una volta avvenuto ciò, si riavvierà automaticamente (sempre e quando la pompa di filtrazione stia funzionando) qualora la temperatura dell'acqua della piscina dovesse scendere di 2 grado al di sotto della temperatura fissata (per esempio, se fissate la temperatura a 28°C, la pompa di calore si arresterà quando la temperatura sarà a 28°C.Mentre si riavvierà quando la temperatura dell'acqua scenderà a 26°C)

Dipendendo dalla temperatura iniziale dell'acqua presente nella piscina e dalla temperatura dell'aria, potrebbero occorrere diversi giorni per riscaldare l'acqua fino alla temperatura desiderata. Una buona copertura della piscina può ridurre significativamente la lunghezza del periodo di tempo richiesto.

Ritardo di accensione – La pompa di calore ha un ritardo in avvio incorporato di 3 minuti per evitare una eccessiva sollecitazione del contattore elettrico. L'unità si riavvierà automaticamente una volta trascorso questo ritardo. Anche una breve interruzione di corrente attiverà questo ritardo di tempo ed evitare l'immediato riavvio dell'unità. Ulteriori interruzioni dell'alimentazione durante questo periodo di ritardo di tempo non influiranno sulla durata di 3 minuti del ritardo.

4.5 Condensa

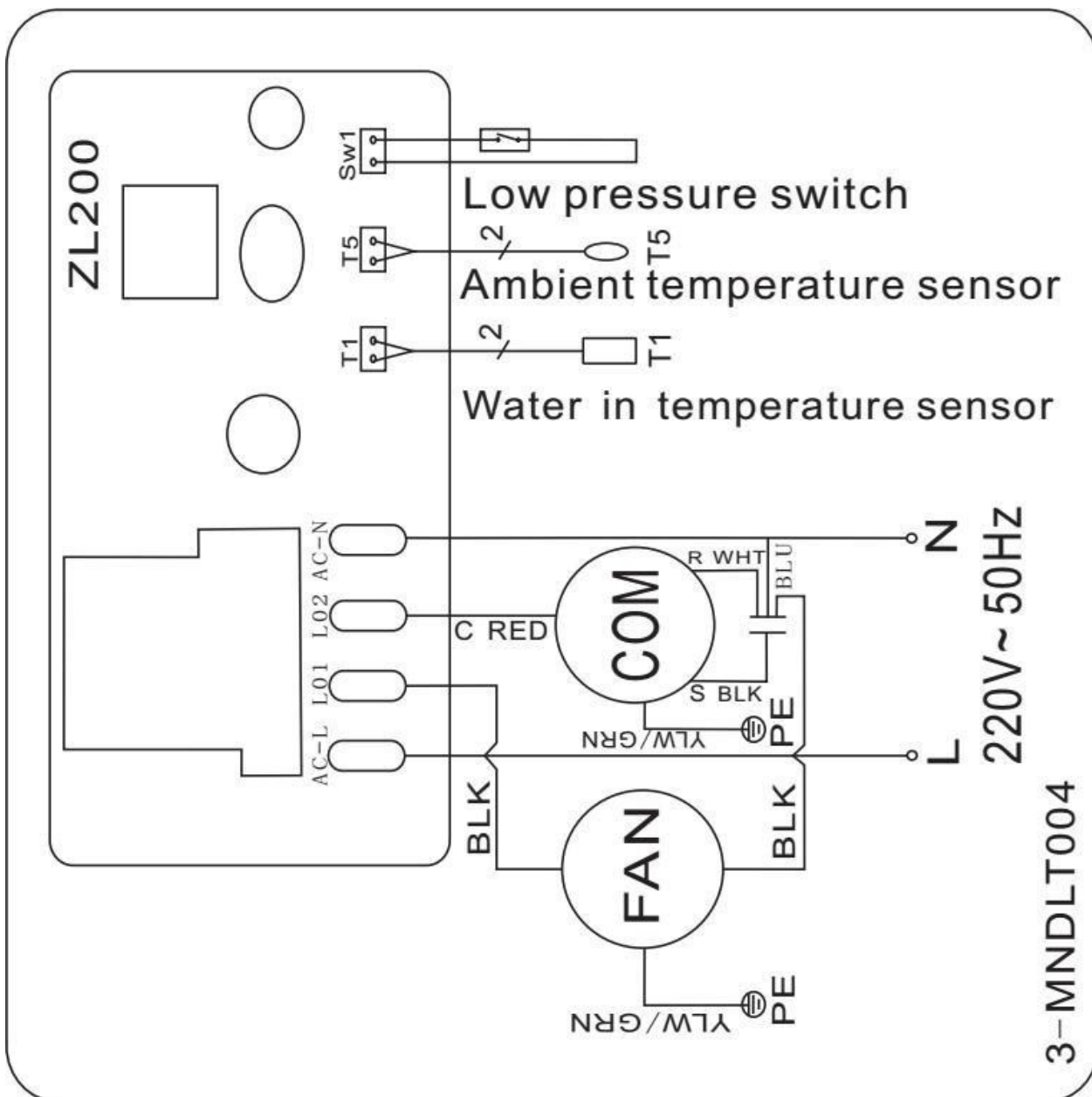
L'aria aspirata all'interno della pompa di calore è raffreddata dal funzionamento della pompa di calore che sta riscaldando l'acqua della piscina, il che può generare condensa sulle alette dell'evaporatore.

In caso di elevata umidità, la quantità di condensa può essere anche di diversi litri all'ora. La condensa verrà drenata dalla base della pompa di calore. Questo fatto viene talora erroneamente considerata una perdita d'acqua.

5. Cablaggio elettrico

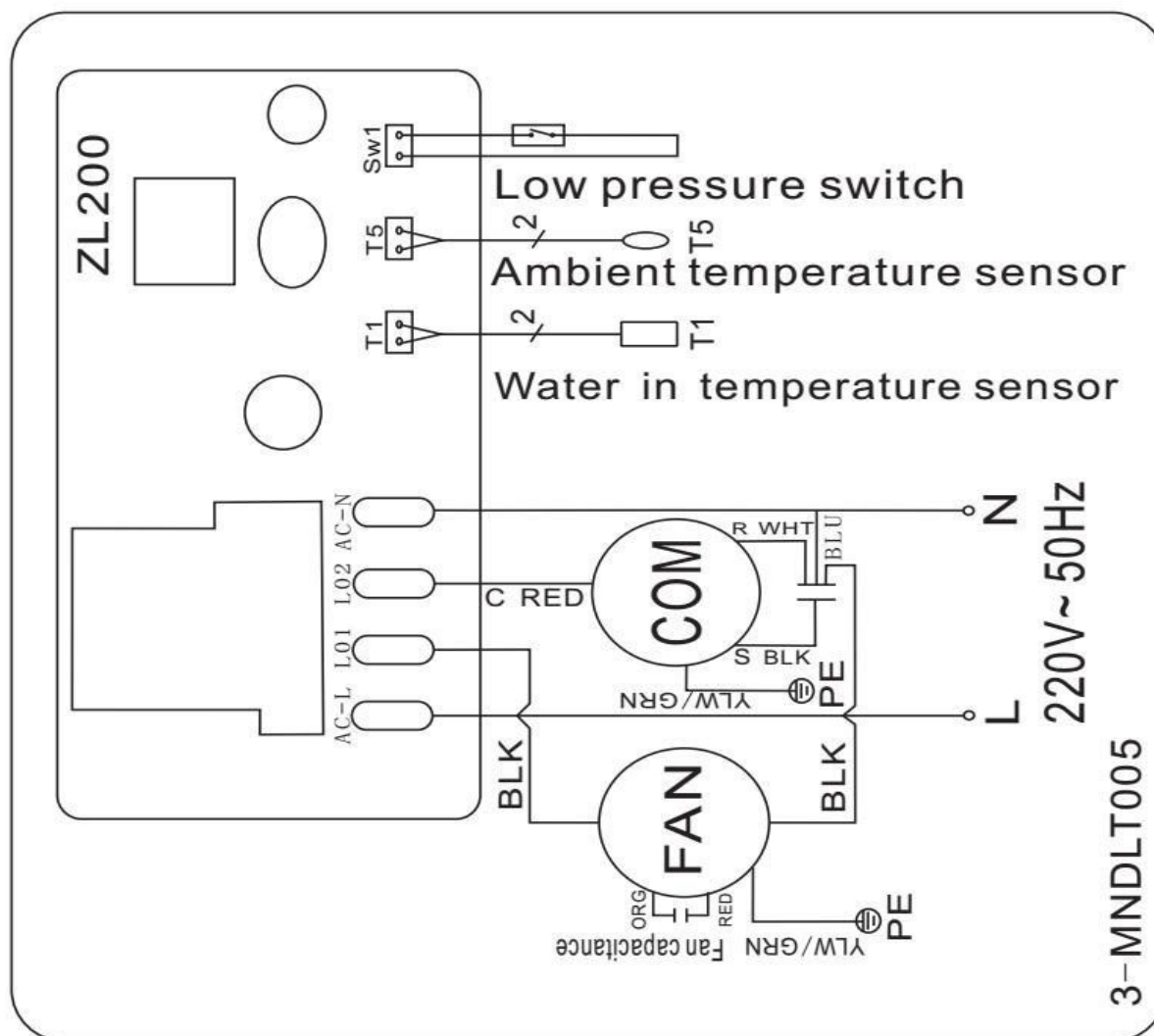
5.1 Schema elettrico di una pompa di calore per piscine

Codice; HPM20



5.2 Schema elettrico di una pompa di calore per piscine

Codice; HPM30/HPM40



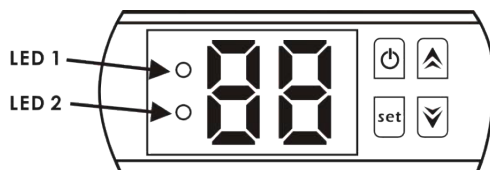
NOTE:

- (1) Lo schema elettrico di cui sopra è solo per vostro riferimento, si prega di considerarlo in funzione dell'apparecchiatura cui si riferisce lo schema
- (2) La pompa di calore per piscine deve essere collegata al circuito di terra, anche se lo scambiatore dell'unità è isolato elettricamente dal resto dell'unità. La messa a terra dell'unità è obbligo di Legge per proteggervi da corto circuiti interni all'unità. È necessario, inoltre, fissare saldamente la pompa di calore.

Disconnessione: Un sistema di disconnessione elettrica deve essere disponibile a vista e facilmente accessibile dall'unità (salvavita, interruttore fusibili). Si tratta di una pratica comune per pompe di calore per uso domestico e commerciale. Evita l'inattesa accensione di apparecchiature non sorvegliate e consente di togliere l'alimentazione mentre l'unità è sottoposta a manutenzione.

6. Funzionamento del controller display

6.1 I tasti del controller LED wire





Mentre la pompa è in funzionamento, il display a LED mostra la temperatura dell'acqua in entrata.

LED 1 è acceso mentre il compressore è in funzionamento .



LED 2 è acceso se l'unità è in errore.



6.2 Accensione/spegnimento della pompa di calore

Premere il tasto  per accendere la pompa di calore, il display a LED mostra per 5 secondi la temperatura dell'acqua impostata, poi mostra la temperatura dell'acqua in entrata.

Premere di nuovo il tasto  per spegnere la pompa di calore.






6.3 Impostare la temperatura dell'acqua

Premere il tasto  o il tasto  per regolare il set point della temperatura dell'acqua(intervallo:.10—42°C)

Premere  o  per salvare l'impostazione e quindi uscire.

NOTA: la pompa di calore può funzionare solo se il sistema dell'acqua di filtrazione è in funzionamento.

6.4 Come controllare i parametri

Premere , entrerà nel controllo dei parametri, Premere  o  scegliere il codice d0 / d1, Premere , mostrerà il valore misurato. Infine, premere  per uscire.

Codice	Parametro
d0	Temperatura ambiente
d1	Temperatura dell'acqua

Avviso: I dati dei parametri non possono essere impostati dagli utenti finali.

7. Risoluzione dei problemi

7.1 Codice di errore sul controller LED

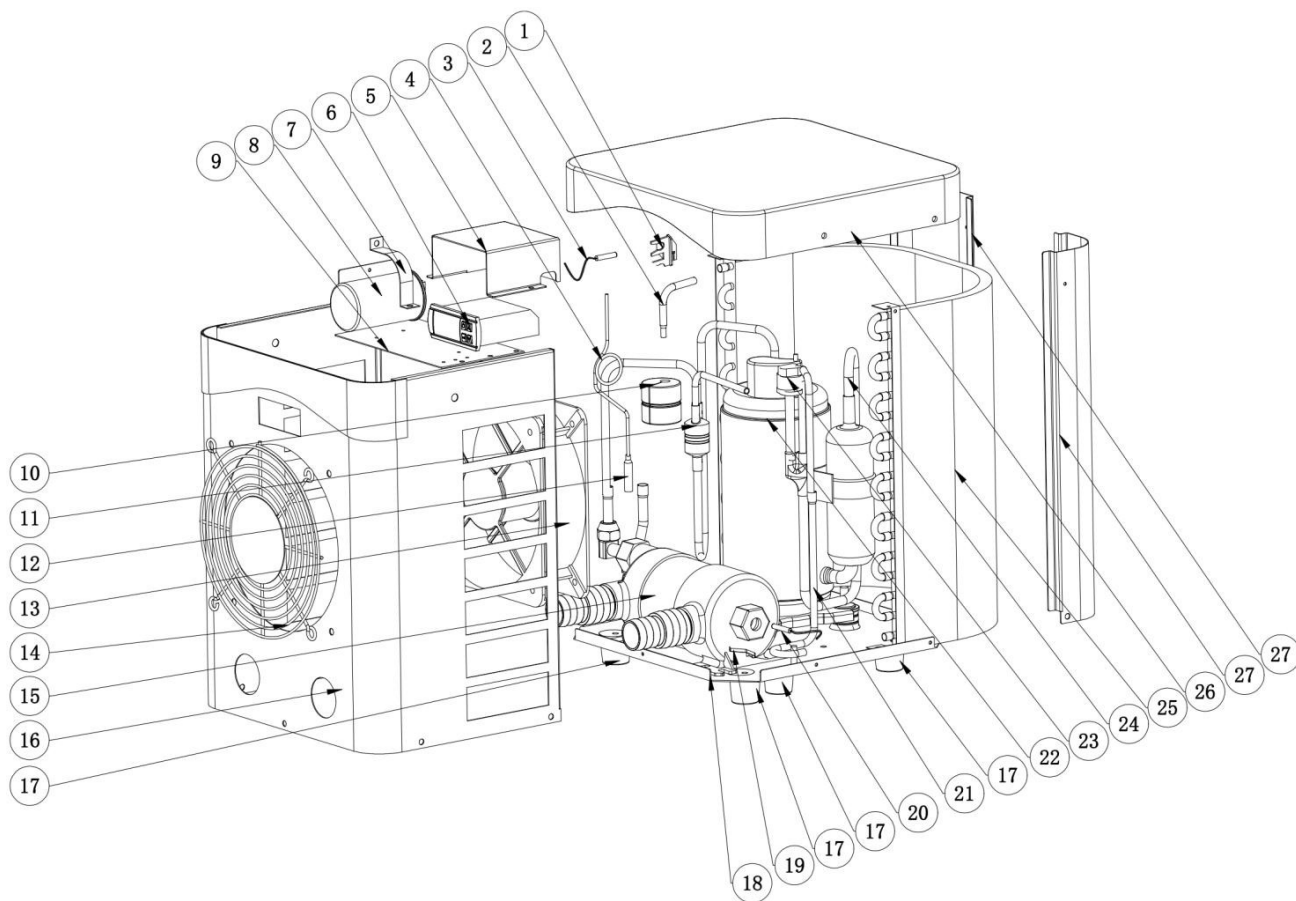
Problema	Codice	Causa	Soluzione
Attendere che la temperatura ambiente raggiunga i 13 °C.	P0	1. La temperatura ambiente è inferiore a 12 °C 2. Errore del controller.	1. Attendere che la temperatura ambiente raggiunga i 13 °C. 2. Sostituire il nuovo controller.
Errore della sonda di temperatura dell'acqua	P1	Sonda di temperatura dell'acqua circuito aperto o corto circuito.	Sostituire la sonda di temperatura dell'acqua
Errore della sonda di temperatura ambiente	P2	Sonda di temperatura ambiente circuito aperto o corto circuito.	Sostituire la sonda di temperatura ambiente
Protezione bassa pressione	EL	1. Interruttore di bassa pressione non funzionante o disconnesso 2 Perdita di gas.	Deve essere riparato da un tecnico specializzato

7.2 Altri malfunzionamenti e soluzioni (non viene mostrato nulla sul controller LED wire)

Problema	Si Osserva	Causa	Soluzione
Pompa di calore non funzionante	Non viene mostrato nulla sul controller LED wire	Nessuna alimentazione	Verificare il cavo e l'interruttore di circuito se collegato
	Il controller LED wire mostra l'attuale temperatura dell'acqua.	<ol style="list-style-type: none"> 1. La temperatura dell'acqua sta raggiungendo la temperatura impostata, pompa di calore in modalità di temperatura costa. 2. La pompa di calore ha appena iniziato a funzionare. 	<ol style="list-style-type: none"> 1. Verificare l'impostazione della temperatura dell'acqua. 2. Avvio della pompa di calore dopo pochi minuti.
Breve funzionamento	Il controller LED wire mostra l'attuale temperatura dell'acqua e nessun codice errore	<ol style="list-style-type: none"> 1. Ventilatore NON funzionante. 2. La ventilazione dell'aria non è sufficiente. 3. Il refrigerante non è sufficiente. 	<ol style="list-style-type: none"> 1. Verificare le connessioni dei cavi tra motore e ventilatore, se necessario, sostituire. 2. Verificare la posizione dell'unità pompa di calore, ed eliminare tutti gli ostacoli che impediscono una buona circolazione dell'aria. 3. Sostituire o riparare l'unità pompa di calore.
Macchie di acqua	Ristagno d'acqua sulla pompa di calore	<ol style="list-style-type: none"> 1. Cementificazione. 2. Perdita d'acqua. 	<ol style="list-style-type: none"> 1. Nessuna azione. 2. Controllare lo scambiatore di calore in titanio attentamente per trovare eventuali difetti.

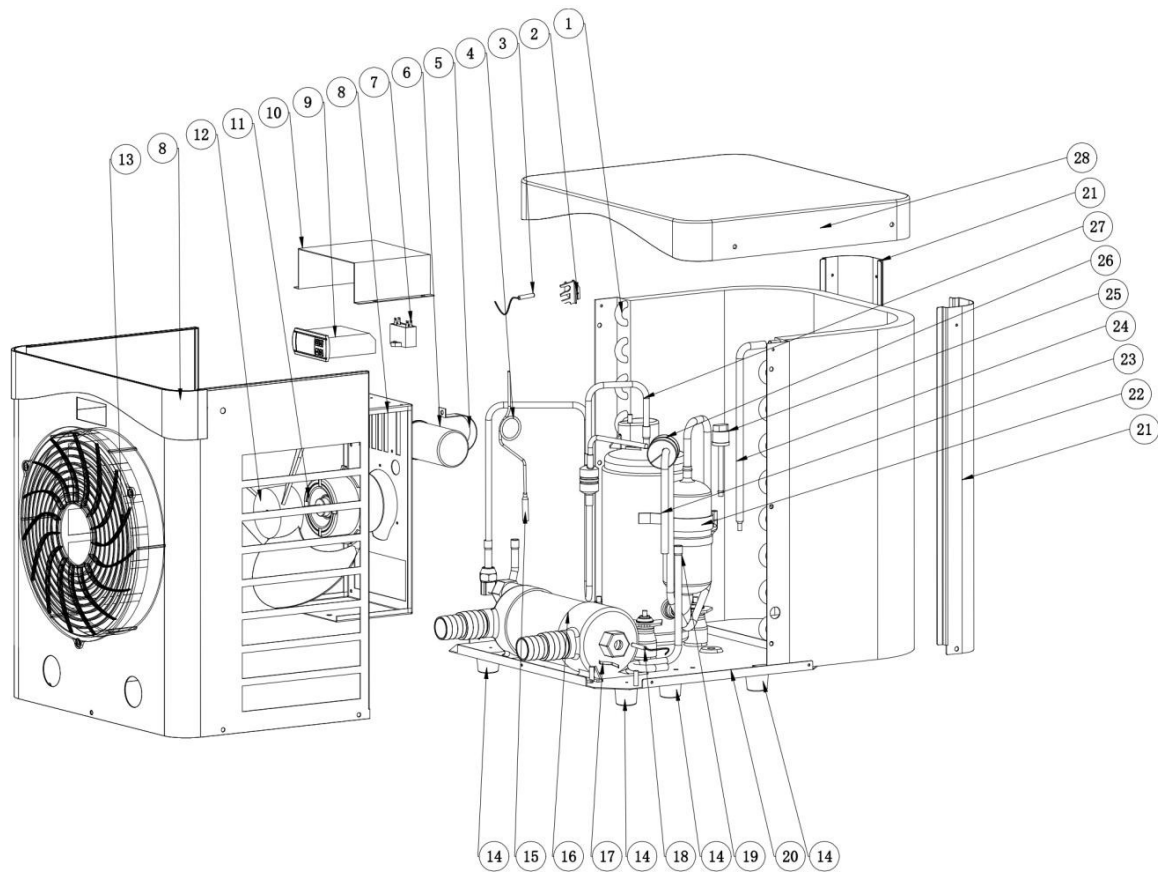
8. Esploso

Unità: HPM20



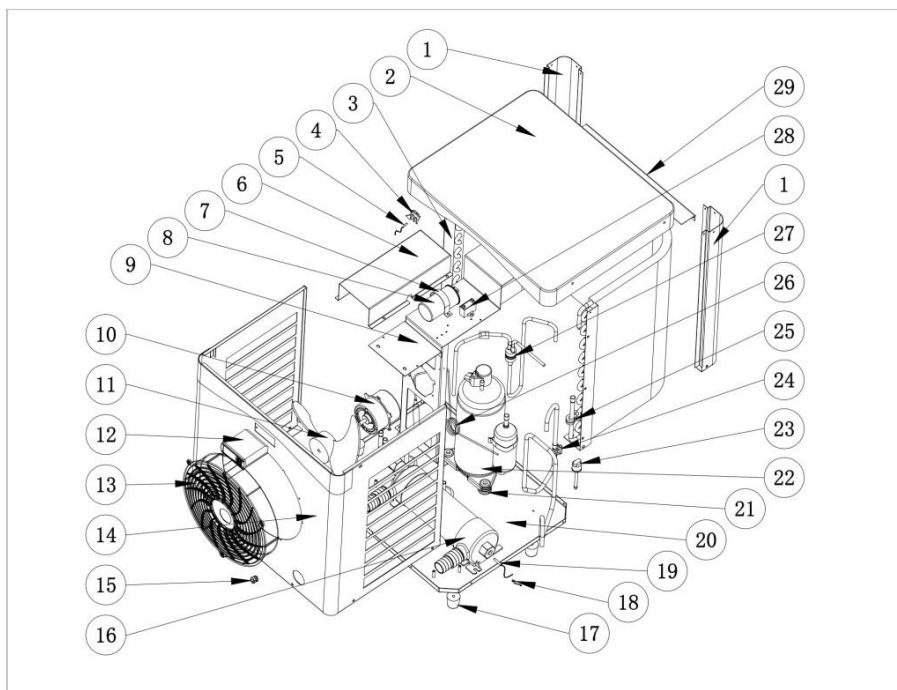
No	Parte di ricambio	HPM20	No	Parte di ricambio	HPM20
1	Clip per sensore di temperatura	102040891	15	Scambiatore in titanio	102040891
2	Tubo in rame	108680047	16	Pannello frontale	108680047
3	Sonda temp. Ambiente T5	136020168	17	Piedini in gomma	136020168
4	Capillare	108680045	18	Base	108680045
5	Scatola elettrica	108010025	19	Clip	108010025
6	Controller	117110068	20	Sonda temperatura acqua T1	117110068
7	Clip capacitore del compressore	113050123	21	Tubo di raccolta gas	113050123
8	Capacitore del compressore	101000233	22	Compressore	101000233
9	Placca superiore del motoventilatore	116000091	23	Interruttore di bassa pressione	116000091
10	Martello in gomma antiurto	113010300	24	Tubo esausto	113010300
11	Tubo di ritorno gas	103000236	25	Evaporatore	103000236
12	Tubo in rame	133400001	26	Copertura superiore	133400001
13	Gruppo motoventilatore	108680046	27	Colonna	108680046
14	Griglia frontale	108680017			

Unità: HPM30



No.	Parte di ricambio	HPM30	No.	Parte di ricambio	HPM30
1	Evaporatore	103000237	15	Tubo in rame	113100027
2	Clip per sensore di temperatura	133020010	16	Scambiatore in titanio	102040900
3	Sonda temp. Ambiente T5	117110079	17	Clip	108010025
4	Capillare	109000038	18	Sonda temperatura acqua T1	117110068
5	Clip capacitore compressore	108010006	19	Tubo di raccolta gas	113050125
6	Capacitore compressore	111000011	20	Base	108690033
7	Capacitore ventola	111000034	21	Colonna	108690048
8	Gruppo pannello frontale	108690047	22	Compressore	101000232
9	Controller	117020189	23	Tubatura ritorno gas	113020467
10	Scatola elettrica	108690015	24	Tubo in rame	113420129
11	Motoventilatore	112000054	25	Interruttore bassa pressione	116000091
12	Pala ventola	132000024	26	Martello in gomma antiurto	136020026
13	Griglia frontale	133020052	27	Tubo esausto	113010351
14	Piedini in gomma	136020168	28	Copertura superiore	133330004

Unità: HPM40



No.	Parte di ricambio	HPM40	No.	Parte di ricambio	HPM40
1	Colonna	108950009	16	Scambiatore in titanio	117020363
2	Copertura superiore	133440001	17	Piedini in gomma	136020168
3	Evaporatore	103000343	18	Clip sonda di temperatura	108010025
4	Clip sonda temp. ambiente	133020010	19	Sonda temperatura acquaT1	117110068
5	Sonda temperatura acquaT1	117110068	20	Base	108950007
6	Scatola elettrica	108950006	21	Piedini in gomma del compressore	101000241
7	Clip capacitore compressore	108010006	22	Compressore	101000241
8	Capacitore compressore	111000012	23	Interruttore bassa pressione	116000091
9	Supporto motoventilatore	108950010	24	Tubatura ritorno gas	113020602
10	Motoventilatore	112000079	25	Bloccogomma	136020018
11	Pala ventola	132000024	26	Capillare	109000038
12	Controller	117020302	27	Tubo esausto	113020624
13	Griglia frontale	133020052	28	Capacitore ventola	111000034
14	Gruppo pannello frontale	108950008	29	Piastra supporto staffa	108950011
15	Cavo di alimentazione	142000126			

9. Manutenzione

(1) Occorre controllare con regolarità il sistema di erogazione dell'acqua per evitare l'entrata di aria nel sistema e la determinazione di un basso flusso dell'acqua , in quanto ciò ridurrebbe le performance e l'affidabilità dell'unità pompa di calore.

(2) Occorre pulire con regolarità le piscine e i sistemi di filtraggio per evitare di causare danni all'unità.

(3) Si prega di svuotare sempre l'acqua della pompa di calore durante il periodo invernale o quando la temperatura ambiente scende al di sotto di 0 °C , altrimenti lo scambiatore in Titanio verrà danneggiato a causa del congelamento, in tal caso la garanzia verrà persa.

(4) Occorre controllare i livelli dell'acqua prima di avviare l'unità dopo una lunga interruzione nell'utilizzo.

(5) Quando l'unità è in funzione, dalla base della medesima verrà scaricata dell'acqua di condensa. Ciò è del tutto normale.

10. Accessori



MINI HEATER

Manual do Usuário e de Serviço

INDEX

1. Especificações
2. Recomendações para transporte
3. Dimensão
4. Instalação e conexões hidráulicas
5. Esquemas Eléctricos
6. Operação do Controlador de Display
7. Solução de problemas
8. Diagrama Explodido
9. Manutenção
10. Acessórios

Obrigado por adquirir a bomba de calor da piscina Mini heater para o seu aquecimento da sua piscina, ele vai aquecer a água da sua piscina e manter a temperatura constante quando a temperatura ambiente está acima de 12 °C.



ATENÇÃO: Este manual inclui todas as informações necessárias com o uso ea instalação da sua bomba de calor.

O instalador deve ler o manual e seguir atentamente as instruções de implementação e manutenção.

O instalador é responsável pela instalação do produto e deve seguir todas as instruções do fabricante presentes nesta manual e os regulamentos em aplicação. A instalação incorrecta implica a exclusão da totalidade da garantia.

O fabricante declina qualquer responsabilidade pelos danos causados a pessoas, objetos ou erros devidos à não conformidade com as instruções do manual. Qualquer uso imprevisto e não planeado pelo fabricante, é classificado como perigoso.

1. Especificações

1.1 Dados técnicos Bombas de calor

Modelo	HPM20	HPM30	HPM40
Code	71245	71258	71606
* Desempenho no ar 28 °C, água 28 °C, umidade 80%			
Capacidade de aquecimento (kW)	2.5	4.2	5.5
Entrada de energia (kW)	0.59	1	1.31
COP	4.2	4.2	4.2
* Desempenho no ar 15 °C, água 26 °C, umidade 70%			
Saída de calor (kW)	1.9	3.2	4.2
Entrada de energia (kW)	0.56	0.91	1.2
COP	3.4	3.5	3.5
* Dados gerais			
Tensão (V)	220-240V~50Hz/1PH		
Corrente nominal (A)	2.6	4.4	5.8
Corrente do fusível (A)	7.5	10	16
Volume máximo da piscina ** (m3)	<20	<30	<40
Caudal de água mínimo e recomendado (m3/h)	2	2	2.5
Pressão máxima / mínima de operação (Mpa)	4.2/0.05		
Pressão da água (Kpa)	15	15	15
Trocador de calor	Titanium exchanger in PVC		
Protection rating	IPX4		
Water Pipe in-out (mm)	38/32		
Nível de ruído a 10m	48 dB(A)	46 dB(A)	46 dB(A)
Nível de ruído a 1m	57 dB(A)	55 dB(A)	55 dB(A)
Refrigerante (R32)	160g	290g	400g
* Dimensão e peso			
Peso líquido (kg)	18	26	30
Peso bruto(kg)	19	28.5	33
Dimensão da rede (mm)	313*364.5*428.5	435*436.5*511.5	515*487*541.5
Dimensão da Embalagem (mm)	380*455*500	496*525*575	570*570*605

* Os dados acima estão sujeitos a modificação sem aviso prévio.

** Check our packaging or website for more detail

2. Recomendações para transporte

2.1 Entrega da embalagem



Para o transporte, as bombas de calor são fixadas na palete e cobertas com uma caixa de papelão.

Para preservar de qualquer dano, a bomba de calor deve ser transportada na sua embalagem.

Todo o material, mesmo que o transporte seja devido ao fornecedor, pode ser danificado durante o seu encaminhamento ao cliente e é da responsabilidade do destinatário certificar-se da correspondência da entrega.

Na recepção da embalagem o destinatário deve registar todas as reservas na recepção na nota de entrega da transportadora, se notar que existem danos na embalagem. **NÃO SE ESQUEÇA DE CONFIRMAR POR CARTA REGISTRADA AO TRANSPORTADOR NUM PRAZO DE ATÉ 48 HORAS.**

2.2 Recomendações para armazenagem



* O armazém deve ser iluminado, espaçoso, aberto, bem ventilado, com equipamento de ventilação e sem fonte de incêndio.

* A bomba de calor deve ser armazenada na embalagem original e transportada verticalmente. Se não for este o, não pode ser operada imediatamente, é necessário um mínimo de 24 horas antes da energia ser ligada.

PROIBIDO



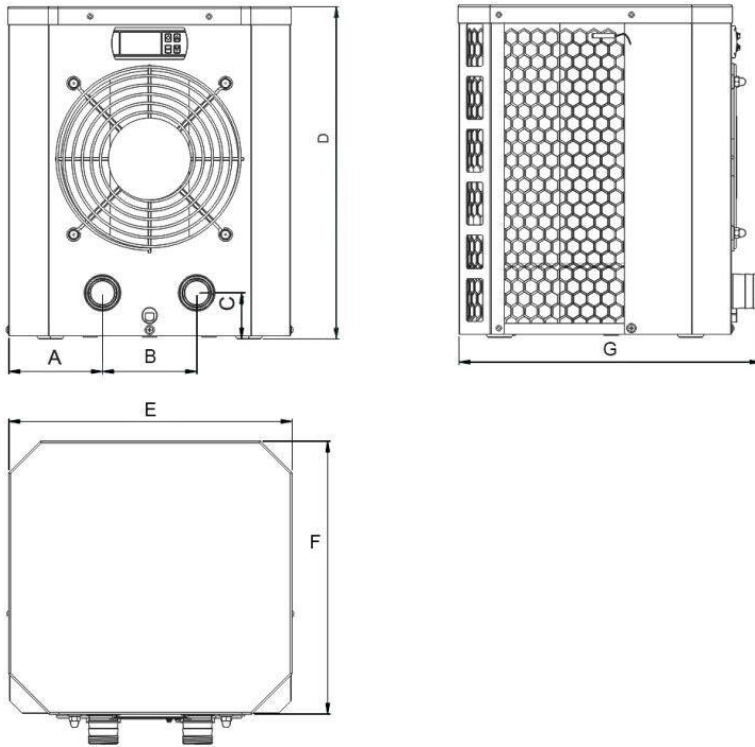
2.3 Transferir para a posição final

* Durante a desembalagem do produto e a transferência do seu palete de origem para o local final, é necessário manter a posição vertical da bomba de calor.

* Fumar e o uso de chamas são proibidos perto da máquina R32.

* A ligação da água não está lá para garantir a função do manípulo, pelo contrário, o suporte do peso da bomba de calor na ligação da água danifica definitivamente o produto. **O fabricante não assume responsabilidade em caso de danos.**

3. Dimensão



Modelo / (mm)	A	B	C	D	E	F	G
HPM20	90.4	130	50	428.5	313	300	364.5
HPM30	116.5	200	50	511.5	435	365	436.5
HPM40	134.6	260	50	541.5	515	421	487

4. Instalação e conexões hidráulicas

Atenção:

Observe as seguintes regras ao instalar a bomba de calor:

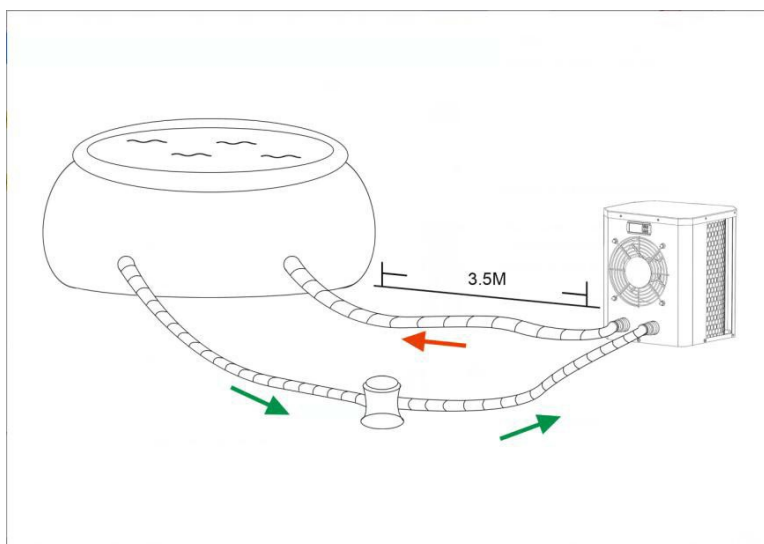
1. Qualquer adição de produtos químicos , só deve ter lugar na tubagem situada a jusante da bomba de calor.
2. Mantenha sempre a bomba de calor na posição vertical. Se a unidade tiver sido mantida em ângulo, aguarde pelo menos 24 horas antes de iniciar a bomba de calor.

4.1 Localização da bomba de calor

A unidade funcionará adequadamente em qualquer local desejado, desde que os três itens a seguir estejam presentes:

- 1. Ar fresco – 2. Eletricidade – 3. Filtros de piscina**

A unidade pode ser instalada em praticamente qualquer local externo, desde que as distâncias mínimas especificadas para outros objetos sejam mantidas (veja o desenho abaixo). Por favor, consulte o seu instalador para a instalação com uma piscina interior. Instalação em um local ventoso não apresenta qualquer problema em tudo, ao contrário da situação com um aquecedor a gás (incluindo problemas chama piloto).



ATENÇÃO: Nunca instale a unidade numa sala fechada com um volume de ar limitado no qual o ar expulso da unidade será reutilizado, ou perto de arbustos que possam bloquear a entrada de ar. Tais locais prejudicam o fornecimento contínuo de ar fresco, resultando em eficiência reduzida e, possivelmente, impedindo a produção de calor suficiente.

4.2 Operação inicial

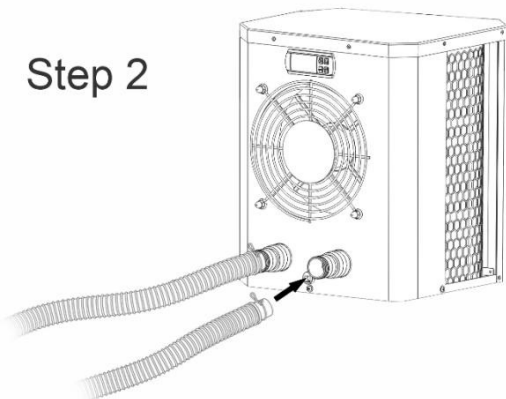
Nota: Para aquecer a água da piscina (ou da banheira de hidromassagem), a bomba filtro deve estar a funcionar de forma a fazer circular a água através da bomba de calor. Se a água não estiver fluindo, a bomba de calor acionará a proteção contra superaquecimento e causará o desligamento.

4.3 Ligação da Mangueira

Step 1



Step 2



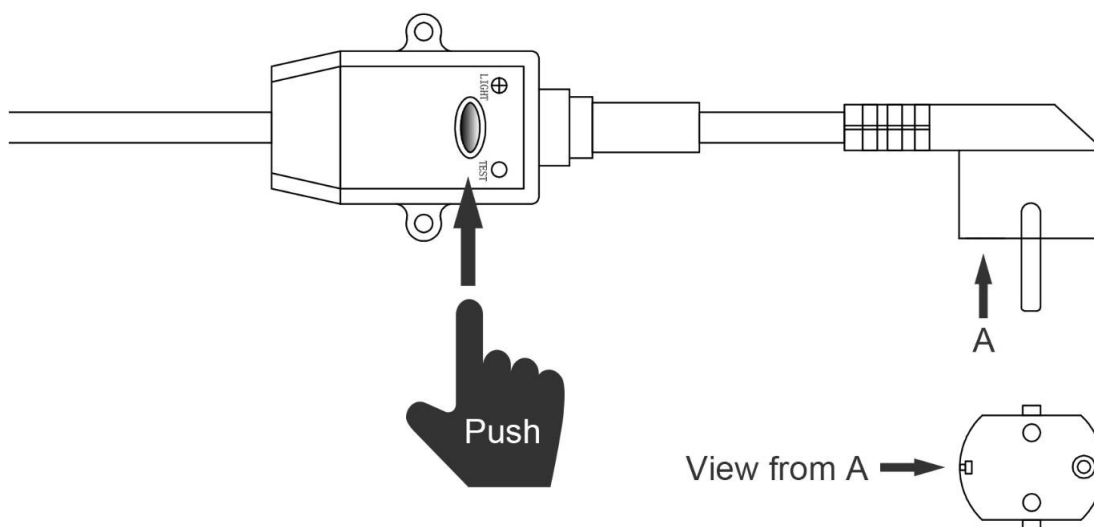
Notas:

A fábrica fornece apenas a bomba de calor. Todos os outros componentes, incluindo duas mangueiras, devem ser fornecidos pelo usuário ou pelo instalador.

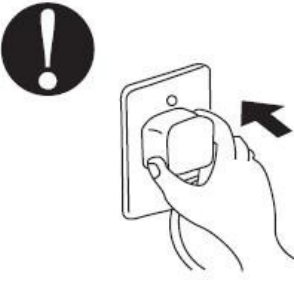
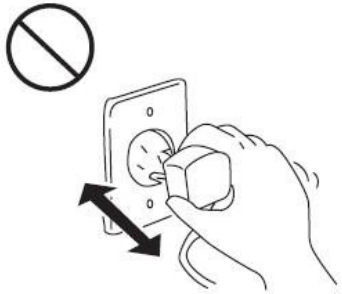
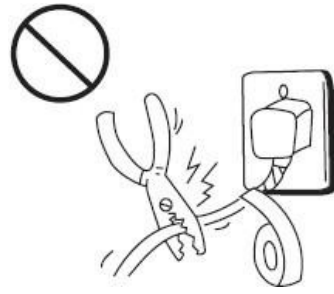
4.4 Ligação eléctrica

Antes de ligar a unidade, verifique se a tensão de alimentação corresponde à tensão de funcionamento da bomba de calor.

A ficha RCD foi incluída com o cabo de alimentação, que pode oferecer proteção elétrica. O botão de teste serve para verificar a capacidade do disjuntor.



Atenção:

<p>Certifique-se de que a ficha de energia esteja segura</p> <p>Se a ficha não estiver segura, poderá causar um choque eléctrico, sobreaquecimento ou incêndio</p> 	<p>Nunca retire a ficha de energia durante a operação</p> <p>Caso contrário, pode causar choque eléctrico ou incêndio devido ao superaquecimento.</p> 	<p>Nunca use fios eléctricos danificados ou fios eléctricos não especificados.</p> <p>Caso contrário, pode causar choque eléctrico ou incêndio.</p> 
---	--	--

Depois de todas as conexões terem sido feitas e verificadas, execute o seguinte procedimento:

1. Ligar a bomba do filtro. Verifique se há vazamentos e verifique se a água está fluindo de e para a piscina.
2. Ligue a alimentação à bomba de calor e pressione o botão On / Off no painel de controle electrónico. A unidade será inicializada após o término do tempo de espera (veja abaixo).
3. Após alguns minutos, verifique se o ar soprado para fora da unidade está mais frio.
4. Quando desligar a bomba do filtro, a unidade também deve desligar automaticamente, se não, então ajuste o interruptor de fluxo.
5. Deixe a bomba de calor e a bomba do filtro funcionarem 24 horas por dia até atingir a temperatura desejada da água. A bomba de calor pára de funcionar neste ponto. Depois disso, ele será reiniciado automaticamente (enquanto a bomba do filtro estiver funcionando) sempre que a temperatura da água da piscina cair 2 graus abaixo da temperatura definida.

Dependendo da temperatura inicial da água na piscina e da temperatura do ar, pode levar vários dias para aquecer a água até a temperatura desejada. Uma boa cobertura da piscina pode reduzir drasticamente o tempo necessário.

Time delay - A bomba de calor tem um atraso de arranque de 3 minutos para proteger os circuitos e evitar o desgaste excessivo do contacto. A unidade será reiniciada automaticamente após este tempo de espera expirar. Mesmo uma breve interrupção de energia irá disparar este atraso de tempo e impedir que a unidade reinicie imediatamente. Interrupções de energia adicionais durante este período de atraso não afetam a duração de 3 minutos do atraso.

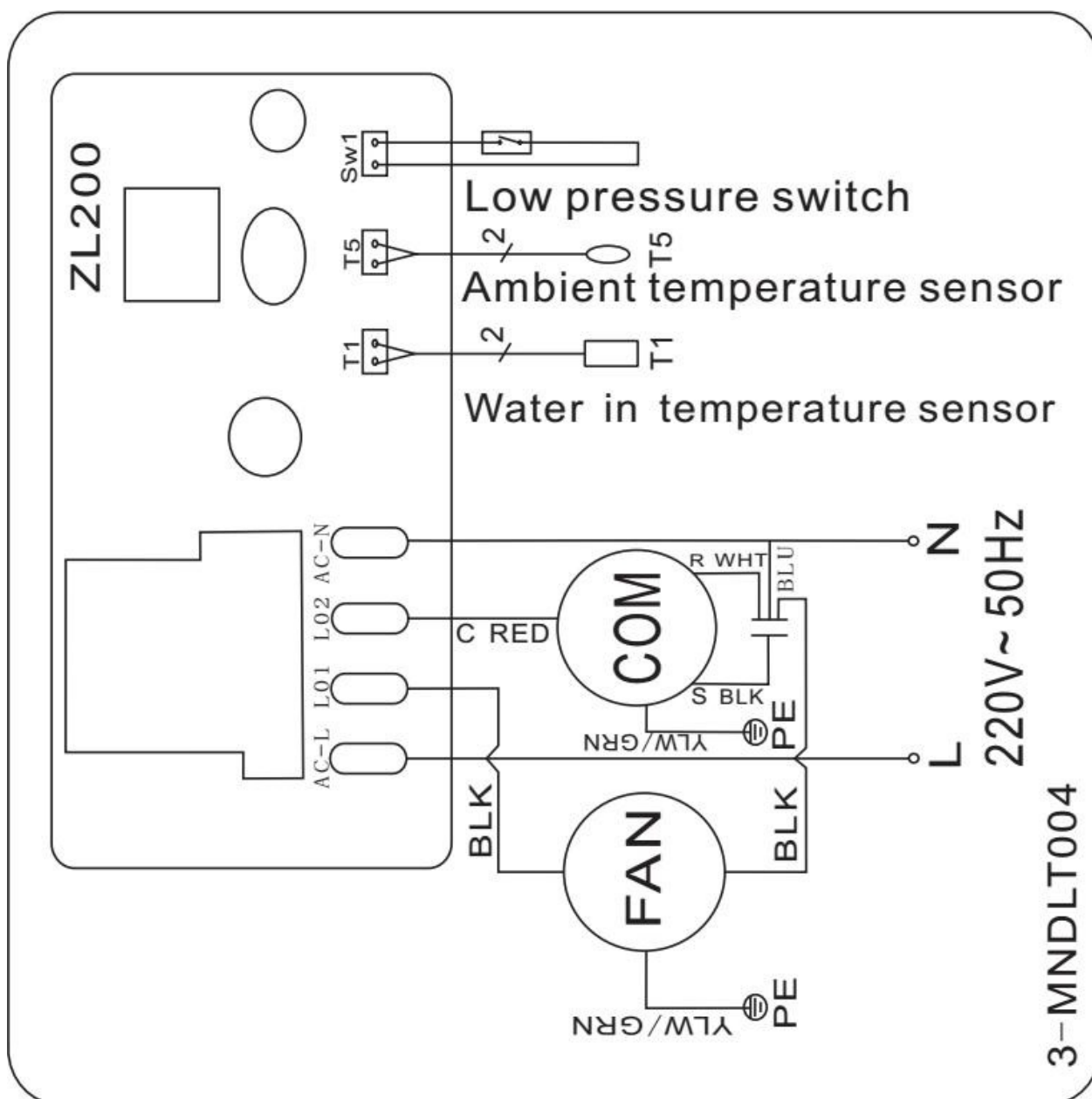
4.5 Condensação

O ar aspirado para dentro da bomba de calor é fortemente arrefecido pela operação da bomba de calor para aquecer a água da piscina, o que pode causar condensação nas aletas do evaporador. A quantidade de condensação pode ser de até vários litros por hora a uma humidade relativa elevada. Isso às vezes é considerado equivocadamente como um vazamento de água.

5. Esquemas eléctricos

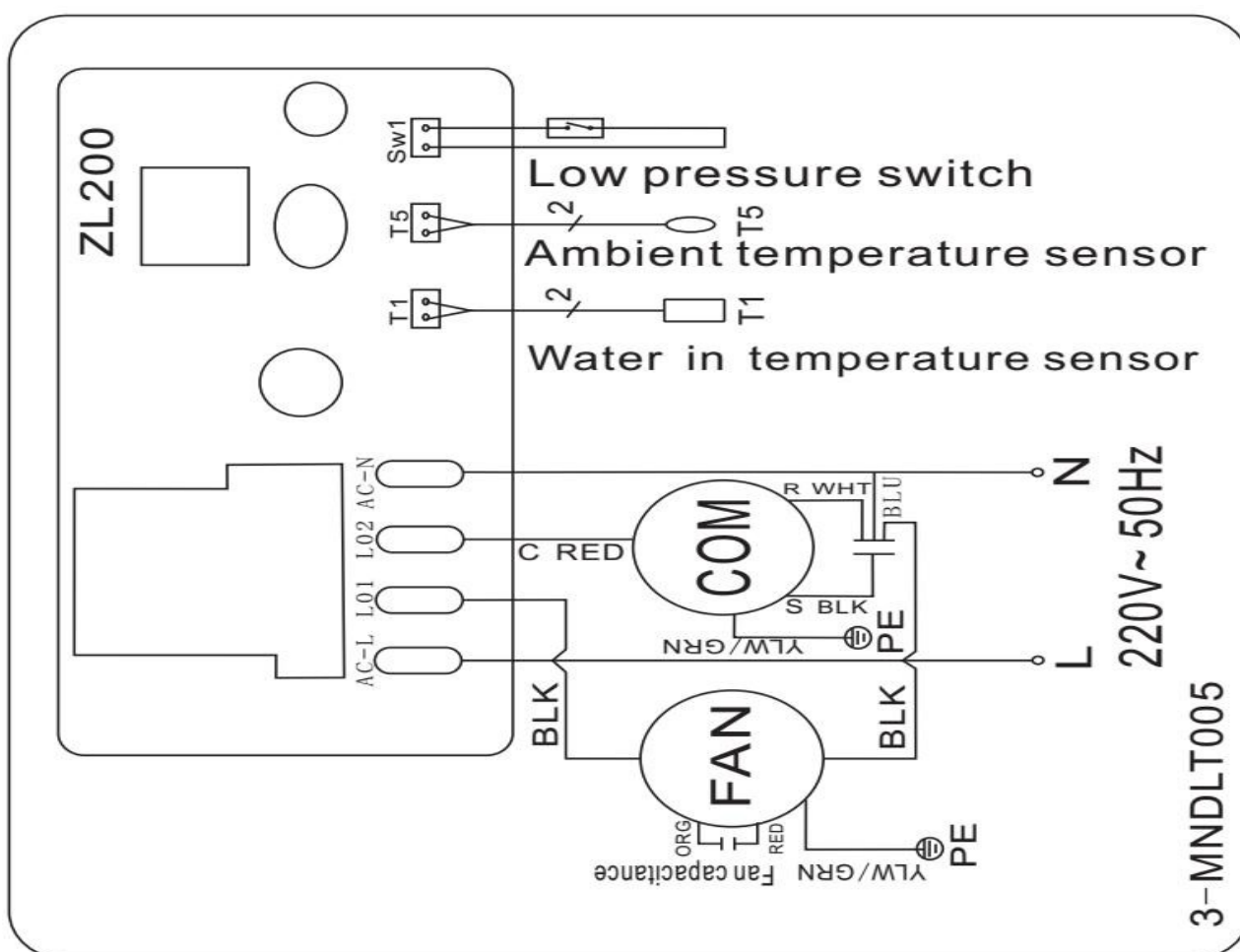
5.1 DIAGRAMA ELÉCTRICO DA BOMBA DE CALOR DA PISCINA

Code; HPM20



5.2 DIAGRAMA ELÉCTRICO DA BOMBA DE CALOR DA PISCINA

Code; HPM30/HPM40



NOTA:

(1) O diagrama eléctrico é apenas para referência.

(2) A bomba de calor da piscina deve estar bem aterrada, mesmo que o permutador de calor esteja electricamente isolado do resto da unidade. O aterramento é importante para proteger de curto-circuitos que ocorram dentro da unidade. A colagem também é necessária.

Desligar: Os meios de desconexão (disjuntor, fusível ou fusível sem fusível) devem estar localizados à vista e facilmente acessíveis a partir da unidade. Esta é uma prática comum em bombas de calor comerciais e residenciais. Que protege contra o accionamento de unidades autónomas e permite que a unidade seja desligada enquanto está sendo usada.

6. Operação do Controlador de Display

6.1 Os botões do controlador de fio LED





Quando a bomba de calor está em funcionamento, o visor LED mostra a temperatura da água de entrada.

O LED 1 está ligado quando o compressor está funcionando.



O LED 2 está ligado se estiver com problemas.



6.2 Iniciar ou parar a bomba de calor

Pressione  para iniciar a unidade de bomba de calor, o visor LED mostra a temperatura da água desejada por 5 segundos, em seguida, mostra a temperatura da água de entrada.

Pressione  para parar a bomba de calor.






6.3 Ajuste da temperatura da água

Pressione  ou  para ajustar a temperatura da água desejada. (10—42°C)

Pressione  ou  para salvar a configuração e sair.

Nota: a bomba de calor pode funcionar apenas se o sistema de circulação / círculo de água estiver em funcionamento.

6.4 Como verificar os parâmetros

Pressione , entrará na verificação de parâmetro, pressione  o  escolher o código d0 / d1, pressione , mostrará o valor medido. No fim, pressione  para sair.

Código	Parâmetro
d0	Temperatura ambiente
d1	Temperatura da água

Aviso: não é possível definir os dados do parâmetro por usuários finais.

7. Solução de problemas

7.1 Indicação de código de erro no controlador de LED

Mau funcionamento	Erro de código	Razão	Solução
Proteção de temperatura ambiente muito baixa	P0	1. A temperatura ambiente está abaixo de 12 °C 2. Falha do controlador.	1. Espere a temperatura ambiente subir para 13 °C. 2. Substitua o novo controlador.
Falha no sensor de temperatura da água	P1	Circuito aberto do sensor de temperatura da água ou curto-circuito.	Substitua o novo sensor de temperatura da água.
Falha do sensor de temperatura ambiente	P2	Circuito aberto do sensor de temperatura ambiente ou curto-circuito.	Substitua o novo sensor de temperatura ambiente.
Proteção de baixa pressão	EL	1. Interruptor de pressão 1. Low desconectado ou falha. 2. Vazamento de gás.	Deve ser reparado por técnicos profissionais.

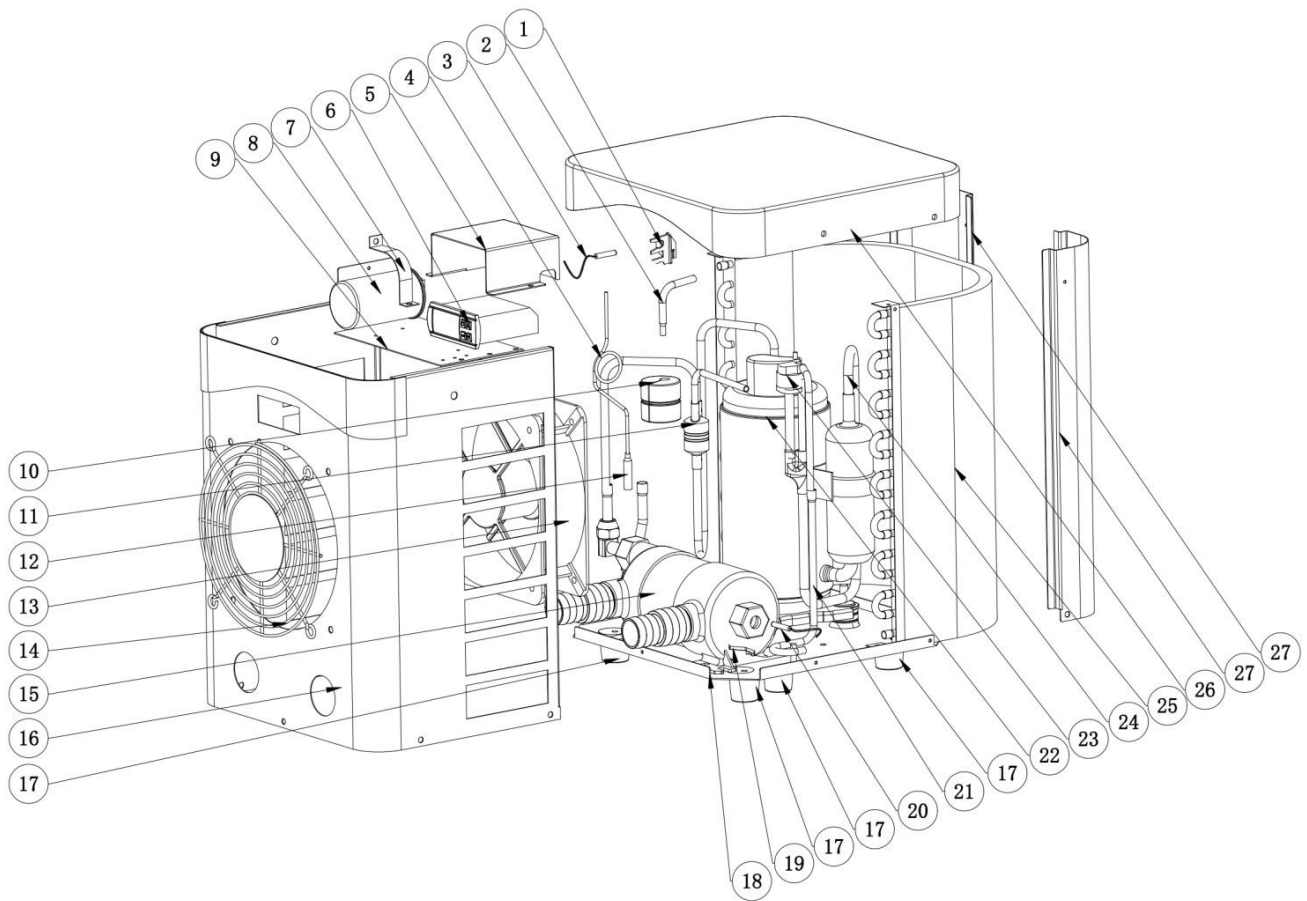
7.2 Outras Falhas e Soluções (Nenhuma indicação no controlador de LED)

Mau funcionamento	Observando	Razão	Solução
Bomba de calor não está funcionando	Controlador LED sem display.	Sem fonte de alimentação	Verifique o cabo e o disjuntor se ele estiver conectado.
	O controlador LED exibe a temperatura real da água	<ol style="list-style-type: none"> 1. Temperatura da água está chegando ao valor de ajuste, HP sob status de temperatura constante. 2. A bomba de calor apenas começa a funcionar. 	<ol style="list-style-type: none"> 1. Verifique o ajuste da temperatura da água. 2. Bomba de calor de partida após alguns minutos.
Corrida curta	O diodo emissor de luz indica a temperatura real da água, nenhum código de erro.	<ol style="list-style-type: none"> 1. Ventilador NÃO funcionando. 2. Ventilação do ar não é suficiente. 3. Refrigerante não é suficiente. 	<ol style="list-style-type: none"> 1. Verifique as ligações dos cabos entre o motor eo ventilador, se necessário, deve ser substituído. 2. Verifique a localização da unidade de bomba de calor e elimine todos os obstáculos para uma boa ventilação do ar. 3 Substitua ou repare a bomba de calor.

Manchas de água	Manchas de água na bomba de calor.	1. Concretagem. 2. Fuga de água.	1. Nenhuma ação. 2. Verifique o permutador de calor de titânio com cuidado se for algum defeito.
-----------------	------------------------------------	-------------------------------------	---

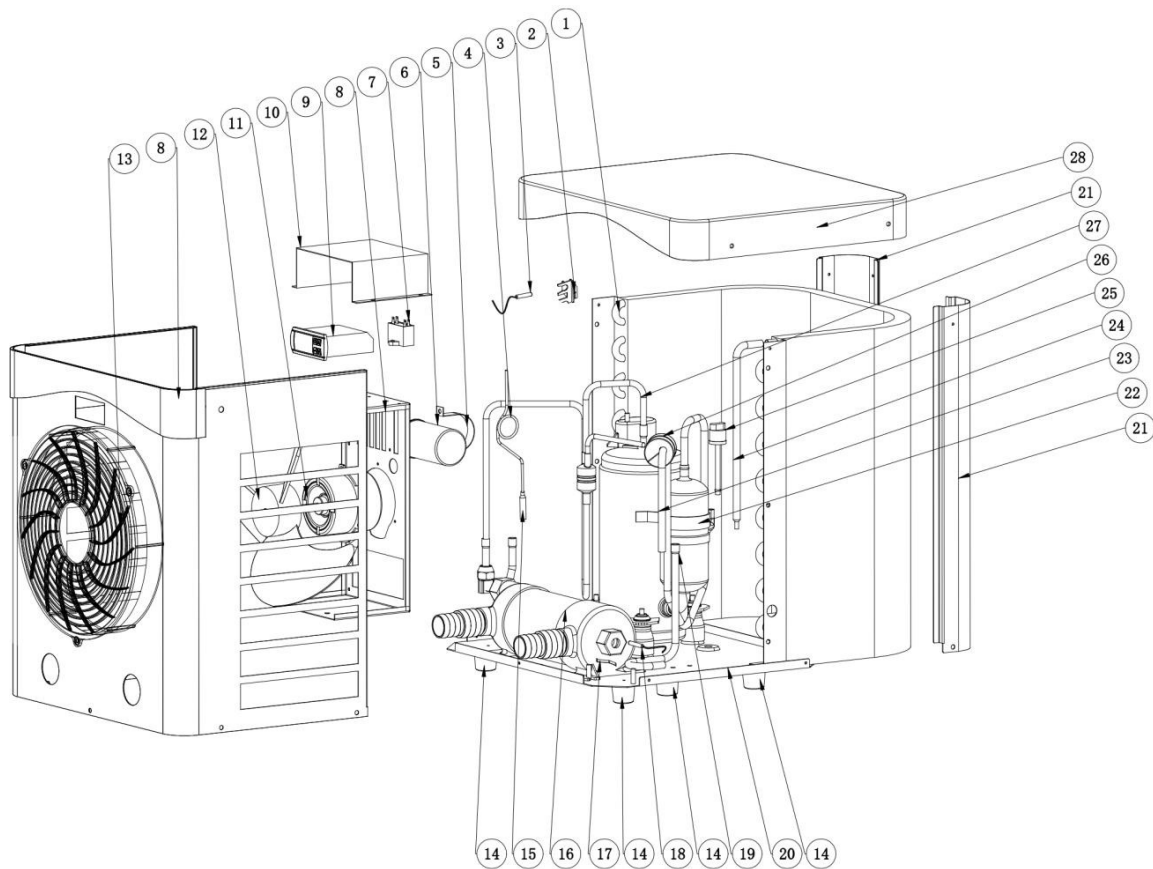
8. Diagrama Explodido

Modelo: HPM20



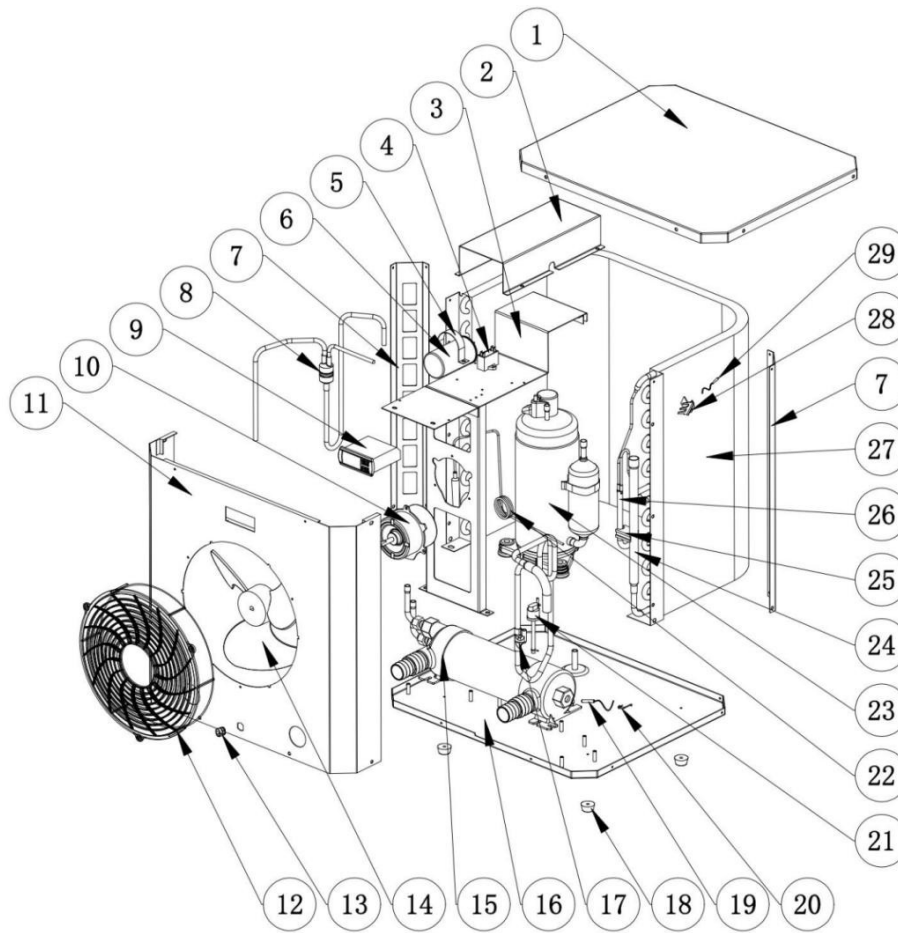
No.	Nome das partes	HPM20	No.	Nome das partes	HPM20
1	Clipe do sensor de temperatura	102040891	15	Permutador de titânio	102040891
2	Tubo de cobre	108680047	16	Painel frontal	108680047
3	Temperatura ambiente. Sensor T5	136020168	17	Pés de borracha	136020168
4	Capilar	108680045	18	Base	108680045
5	Caixa elétrica	108010025	19	Grampo	108010025
6	Controlador	117110068	20	Água em temp. Sensor T1	117110068
7	Capacitância Compressor Clip	113050123	21	Tubo coletor de gás	113050123
8	Capacitância do Compressor	101000233	22	Compressor	101000233
9	Placa superior do motor do ventilador	116000091	23	Interruptor de baixa pressão	116000091
10	Martelo de borracha à prova de choque	113010300	24	Tubo de escape	113010300
11	Tubulação de retorno de gás	103000236	25	Evaporador	103000236
12	Tubo de cobre	133400001	26	Tampa superior	133400001
13	Montagem do motor do ventilador	108680046	27	Pilar	108680046
14	Grelha frontal				

Modelo: HPM30



No.	Nome das partes	HPM30	No.	Nome das partes	HPM30
1	Evaporador	103000237	15	Tubo de cobre	113100027
2	Clipe do sensor de temperatura	133020010	16	Permutador de titânio	102040900
3	Temperatura ambiente. sensor T5	117110079	17	Grampo	108010025
4	Capilar	109000038	18	Água em temp. sensor T1	117110068
5	Capacitância Compressor clip	108010006	19	Tubo coletor de gás	113050125
6	Capacitância do Compressor	111000011	20	Base	108690033
7	Capacitor do ventilador	111000034	21	Pilar	108690048
8	Montagem do painel frontal	108690047	22	Compressor	101000232
9	Controlador	117020189	23	Tubulação de retorno de gás	113020467
10	Caixa elétrica	108690015	24	Tubo de cobre	113420129
11	Motor de ventilador	112000054	25	Interruptor de baixa pressão	116000091
12	Lâmina da ventoíinha	132000024	26	Martelo de borracha à prova de	136020026
13	Grelha frontal	133020052	27	Tubo de escape	113010351
14	Pés de borracha	136020168	28	Tampa superior	133330004

Modelo: HPM40



No.	Nome das partes	HPM40	No.	Nome das partes	HPM40
1	Tampa superior	108950004	16	Base	108950001
2	Caixa elétrica	108950006	17	Tubulação de retorno de gás	113020602
3	Suporte do motor do ventilador	108950005	18	Pés de borracha	136020141
4	Capacitor do ventilador	111000034	19	Água em temp. sensor T1	117110068
5	Capacitância Compressor clip	108010006	20	Clipe do sensor de temperatura do permutador	108010025
6	Capacitância do Compressor	111000012	21	Interruptor de baixa pressão	116000091
7	Pilar	108950003	22	Capilar	109000038
8	Tubo de escape	113020624	23	Compressor	101000210
9	Controlador	117020165	24	Tubo coletor de gás	103000343
10	Motor de ventilador	112000079	25	Borracha	136020005
11	Montagem do painel frontal	108950002	26	Tubulação de distribuição	103000343
12	Grelha frontal	133020052	27	Evaporador	103000343
13	Fivela do cabo de alimentação	142000126	28	#N/A	133020010
14	Lâmina da ventoíinha	132000024	29	Temperatura ambiente. Sensor T5	117110079
15	Permutador de titânio	117020363			

9. Manutenção

(1) Deve verificar o sistema de abastecimento de água regularmente para evitar o ar que entra no sistema e ocorrência de baixo fluxo de água, porque iria reduzir o desempenho e a confiabilidade da unidade HP.

(2) Limpe regularmente as piscinas e o sistema de filtragem para evitar danos à unidade, devido à acumulação de sujidade e entupimento do filtro.

(3) Esvazie sempre a água da bomba de calor durante o inverno ou quando a temperatura ambiente cair abaixo de 0 °C, caso contrário, o trocador de titânio será danificado por estar congelado, nesse caso, sua garantia será perdida.

(4) Do mesmo modo, deve verificar se a unidade está cheio de água antes que a unidade comece a funcionar novamente.

(5) Quando a unidade está funcionando, é normal que sai um pouco de água na parte de baixo resultante da condensação..

10. Acessórios



Jato de drenagem, 1 pcs



Tubo de drenagem de água, 1
pcs

MINI HEATER

Gebruik en Onderhoud gebruiksaanwijzing

INDEX

1. Specificaties
2. Transportreclame
3. Afmetingen
4. Installatie en aansluiting
5. Elektrische bedrading
6. Scherm bediening systeem
7. Problemen
8. Exploded diagram
9. Onderhoud
10. Accessoires

Dank u voor het gebruiken van de GRE zwembad warmtepomp voor uw zwembad verwarming, het zal uw zwembadwater verwarmen en het op een constante temperatuur houden wanneer de omgevingstemperatuur boven 12°C is.



LET OP: Deze gebruiksaanwijzing bevat alle benodigde informatie voor het gebruik en de installatie van uw warmtepomp.

De installateur moet de gebruiksaanwijzing lezen en de instructies zorgvuldig volgen bij plaatsing en onderhoud.

De installateur is verantwoordelijk voor de installatie van het product en moet alle instructies opvolgen van de fabrikant en de regels in toepassing. Verkeerde installatie niet volgens de gebruiksaanwijzing heeft uitsluiting van de gehele garantie tot gevolg.

De fabrikant verwerpt elke verantwoordelijkheid voor de schade veroorzaakt door de mensen, objecten en of de fouten wegens de installatie die niet de aanwijzing van de gebruiksaanwijzing volgen. Elk gebruik zonder bevestiging bij het begin van de fabricatie zal beschouwd worden als gevaarlijk.

1. Specificaties

1.1 Technische gegevens

CE Standard, gas R32.

Model	HPM20	HPM30	HPM40
Code	71245	71258	71606
* Optreden bij luchttemperatuur 28°C, watertemperatuur 28°C, luchtvochtigheid 80%			
Verwarmingscapaciteit(kW)	2.5	4.2	5.5
Stroomverbruik (kW)	0.59	1	1.31
COP	4.2	4.2	4.2
* Capaciteit bij luchttemperatuur 15°C, watertemperatuur 26°C, luchtvochtigheid 70%			
Koel capaciteit (kW)	1.9	3.2	4.2
Stroomverbruik (kW)	0.56	0.91	1.2
COP	3.4	3.5	3.5
* Algemene data			
Voltage (V)	220-240V~50Hz/1PH		
Werk stroom (A)	2.6	4.4	5.8
Zekering(A)	7.5	10	16
Maximaal zwembadvolume ** (m ³)	<20	<30	<40
Minimale en aanbevolen waterstroom (m3/u)	2	2	2.5
Maximale / minimale werkdruk (Mpa)	4.2/0.05		
Maximum drukverlies (Kpa)	15	15	15
Warmtewisselaar	Titanium warmtewisselaar		
Beschermingsklasse	IPX4		
Aansluitingen (mm)	38/32		
Ventilator snelheid (rpm)	2500	1100	1100
Geluidsniveau 10m	48 dB(A)	46 dB(A)	46 dB(A)
Geluidsniveau 1m	57 dB(A)	55 dB(A)	55 dB(A)
Type koeling (R32)	160g	290g	400g
* Afmetingen/ Gewicht			
Netto gewicht (kg)	18	26	30
transport gewicht (kg)	19	28.5	33
Netto afmetingen (mm)	313*364.5*428.5	435*436.5*511.5	515*487*541.5
Transport afmetingen (mm)	380*455*500	496*525*575	570*570*605

*Bovenstaande gegevens zijn onderhevig aan modificatie zonder opgave.

** Kijk op onze verpakking of website voor meer details.

2. Transportreclame

2.1 Levering van de verpakking



Voor het transport worden de warmtepompen op de pallet bevestigd en afgedekt met een kartonnen doos.

Om schade te voorkomen, moet de warmtepomp op de verpakking worden overgebracht.

Al het materiaal, zelfs als het transport ten laste van de leverancier komt, kan tijdens de routing bij de klant worden beschadigd en het is de verantwoordelijkheid van de geadresseerde om te zorgen voor de correspondentie van de levering.

De geadresseerde moet bij levering alle opmerkingen noteren op de leveringsbon van de vervoerder als er schade is aan de verpakking. **VERGEET NIET TE BEVESTIGEN DOOR GEREGISTREERDE BRIEF AAN DE VERVOERDER BINNEN 48 UUR.**

2.2 Opslag



* Het magazijn moet licht, ruim, open, goed geventileerd zijn, ventilatie-apparatuur hebben en geen vuurbron.

* Warmtepomp moet worden opgeslagen en in verticale positie in de originele verpakking worden overgedragen. Als dit niet het geval is, kan deze niet meteen worden gebruikt; een minimale periode van 24 uur is nodig voordat de elektrische stroom wordt ingeschakeld.

VERBODEN



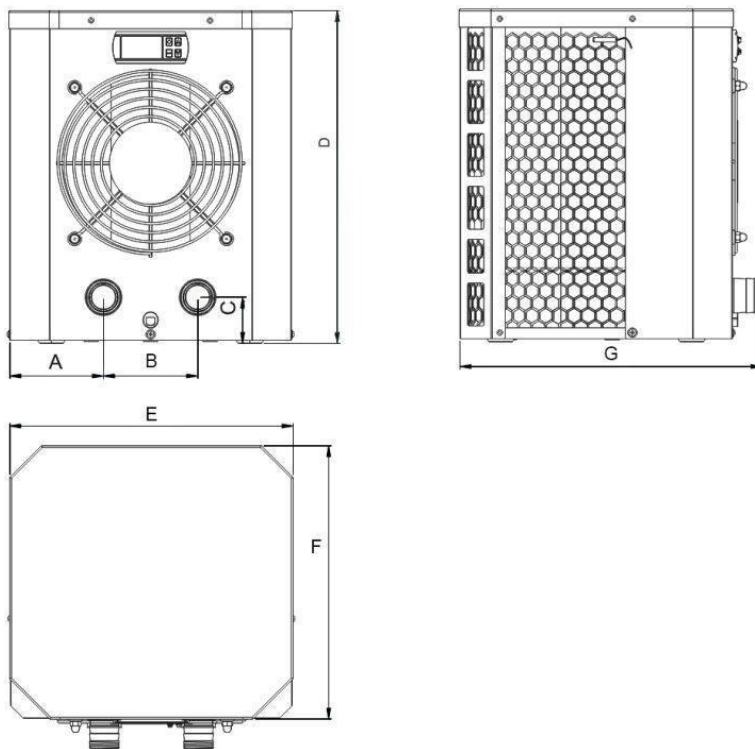
2.3 Transport naar de eindbestemming

* Tijdens het uitpakken van het product en de overdracht van het oorspronkelijke pallet naar de eindbestemming, is het noodzakelijk om de verticale positie van de warmtepomp te handhaven.

* Roken en het gebruik van vlammen zijn verboden in de buurt van de R32-machine.

* De wateraansluiting is niet bedoeld om de warmtepomp te fixeren en is geen vervanging van de vloerbevestiging. Integendeel, het gewicht van de warmtepomp kan de leidingen en het product beschadigen. **De fabrikant is niet verantwoordelijk in geval van schade.**

3. Afmeting



Item / (mm)	A	B	C	D	E	F	G
HPM20	90.4	130	50	428.5	313	300	364.5
HPM30	116.5	200	50	511.5	435	365	436.5
HPM40	134.6	260	50	541.5	515	421	487

4. Installatie en aansluiting

Attentie:

Volg alstublieft de volgende regels wanneer u de warmtepomp installeert:

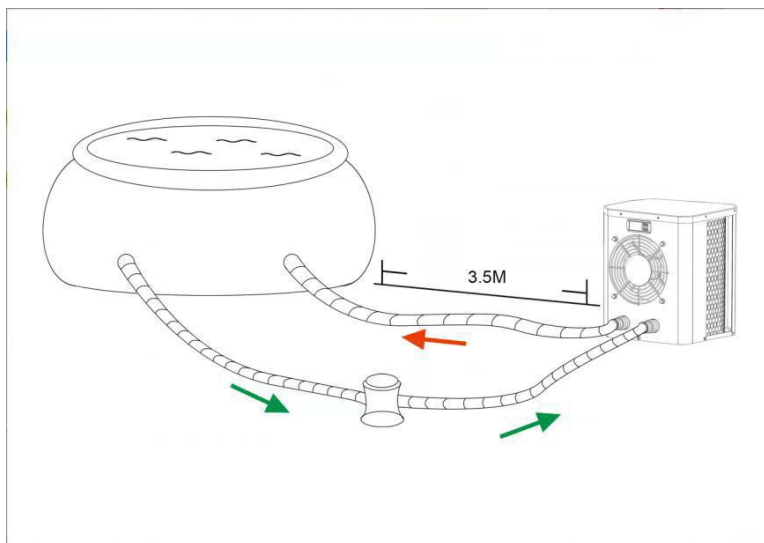
1. Elke toevoeging van chemicaliën moet plaatsvinden in de buizen gelokaliseerd na de warmtepomp.
2. Houdt de hele warmtepomp altijd recht . Als het apparaat in een diagonale positie was gehouden, wacht tenminste 24 uren met het starten van de warmtepomp.

4.1 Warmtepompplaatsing

Het apparaat zal goed werken in elke gewenste locatie zolang de volgende drie onderdelen aanwezig zijn:

- 1. Frisse lucht** – **2. Elektriciteit** – **3. Zwembadfilters**

Het apparaat mag worden geïnstalleerd in virtueel elke buiten locatie zolang als de gespecificeerde minimumafstanden met andere objecten wordt aangehouden (zie tekening hieronder). Raadpleeg alstublieft uw installateur voor installatie met een zwembad binnenshuis. Installatie in een locatie met veel wind is helemaal geen probleem, wel in de situatie met een gasverwarming (inclusief waakvlam problemen).

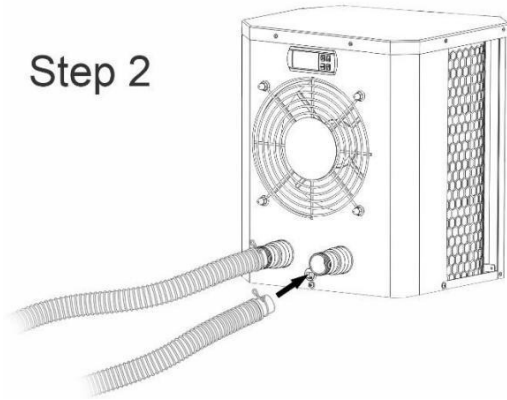


ATTENTIE: Installeer het apparaat nooit in een afgesloten ruimte met een gelimiteerde luchthoeveelheid in waarde lucht uitgestoten door het apparaat weer hergebruikt wordt, of nabij bosschage dat de luchtinlaat kan blokkeren. Zulke locaties verhinderen de continueuze levering van frisse lucht, wat resulteert in een gereduceerde efficiencie en mogelijk voldoende warmte afgifte tegengaat.

4.2 Initiële werking

Opmerking: Om het water in het zwembad (of de hot tub) te verwarmen, moet de filterpomp draaien om het water door de warmtepomp te laten circuleren. Als het water er niet doorheen stroomt, zal de warmtepomp de oververhittingsbeveiliging activeren en een uitschakeling veroorzaken.

4.3 Slangaansluiting



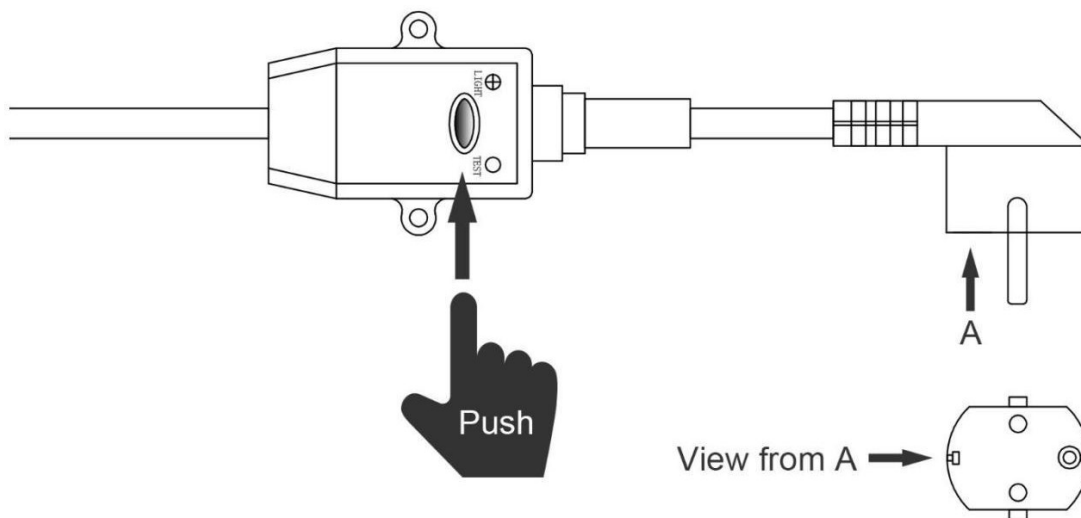
Opmerkingen:

De fabriek levert alleen de warmtepomp. Alle andere componenten, inclusief twee slangen, moeten door de gebruiker of de installateur worden geleverd.

4.4 Elektrische verbinding

Voor het aansluiten van het apparaat, verifiëer dat het stroomvoltage overeenkomt met het werk voltage van de warmtepomp.

De RCD-stekker is meegeleverd met een voedingskabel die een elektrische bescherming kan bieden. De testknop is om de capaciteit van de stroomonderbreker te controleren.



Aandacht:

<p>Zorg ervoor dat de stekker stevig vastzit</p> <p>Als de stekker niet goed vastzit, kan dit een elektrische schok, oververhitting of brand veroorzaken</p> 	<p>Trek nooit de stekker uit het stopcontact tijdens gebruik</p> <p>Anders kan dit een elektrische schok of brand veroorzaken als gevolg van oververhitting.</p> 	<p>Gebruik nooit beschadigde elektrische draden of niet-gespecificeerde elektrische draden.</p> <p>Anders kan dit een elektrische schok of brand veroorzaken.</p> 
---	---	--

Nadat alle verbindingen gemaakt zijn en gecontroleerd, voer dan de volgende procedure uit:

1. Zet de filterpomp aan. Controleer op lekkage en verifieer dat het water stroomt van en naar het zwembad.
2. Sluit de stroom aan de waterpomp aan en druk op de aan/uit knop op het elektronische controlepaneel. Het apparaat zou opstarten nadat de tijdvertraging voorbij is (zie onder).
3. Na een paar minuten, controleer of de lucht die uit het apparaat komt koeler is.
4. Wanneer de filterpomp uitgezet wordt, moet het apparaat ook automatisch afslaan, wanneer niet, stel dan de doorvoer schakelaar bij.
5. Laat de warmtepomp en de filterpomp 24 uren per dag lopen totdat de gewenste watertemperatuur is bereikt. De warmtepomp zal op dit punt stoppen. Hierna, zal het automatisch herstarten (zolang als de filterpomp loopt) wanneer de watertemperatuur van het zwembad 2 graden daalt onder de ingestelde temperatuur.

Afhankelijk van de initiële temperatuur van het water in het zwembad en de luchttemperatuur, kan het verscheidene dagen duren om het water te verwarmen tot de gewenste temperatuur. Een goede zwembad afdekking kan de benodigde lengte van tijd dramatisch inkorten.

Tijdvertraging - De warmtepomp heeft een ingebouwde 3-minuten opstart vertraging om het circuit te beschermen en excessief contact verval te voorkomen. Het apparaat zal automatisch herstarten nadat deze tijdvertraging afloopt. Zelfs een korte stroomonderbreking zal deze tijdvertraging starten en voorkomen dat het apparaat onmiddellijk herstart. Meerdere stroomonderbrekingen tijdens deze vertraging periode hebben geen effect op de 3-minuten periode van de vertraging.

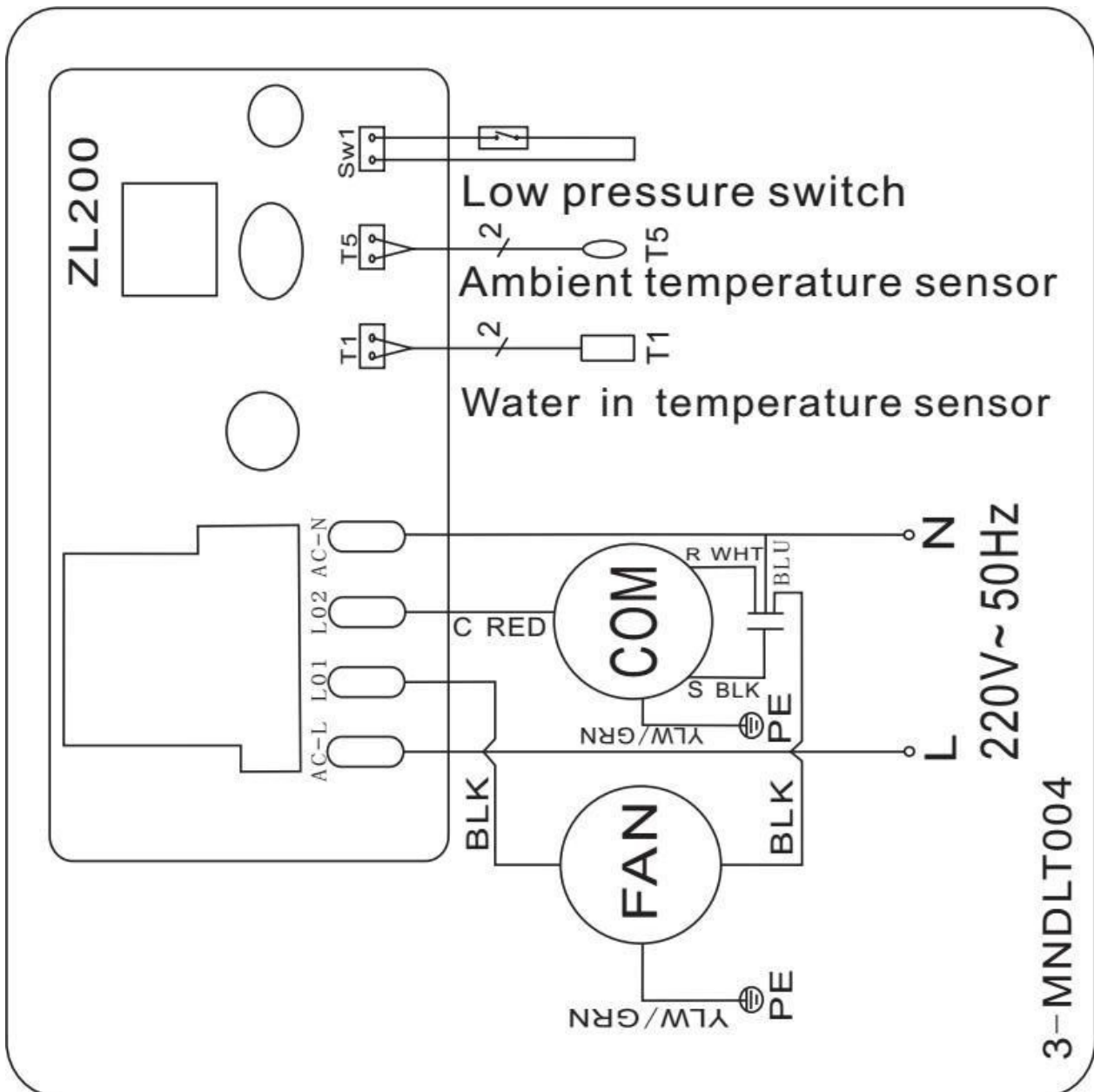
4.5 Condensatie

De lucht aangetrokken door de warmtepomp wordt sterk gekoeld door de werking van de warmtepomp om het water van het zwembad te verwarmen, wat condensatie kan veroorzaken op de bladen van de verdamper. De hoeveelheid condensatie kan zoveel zijn als verscheidene liters per uur bij hoge relatieve vochtigheid. Dit is soms foutief beschouwd als een water lekkage.

5. Elektrische bedrading

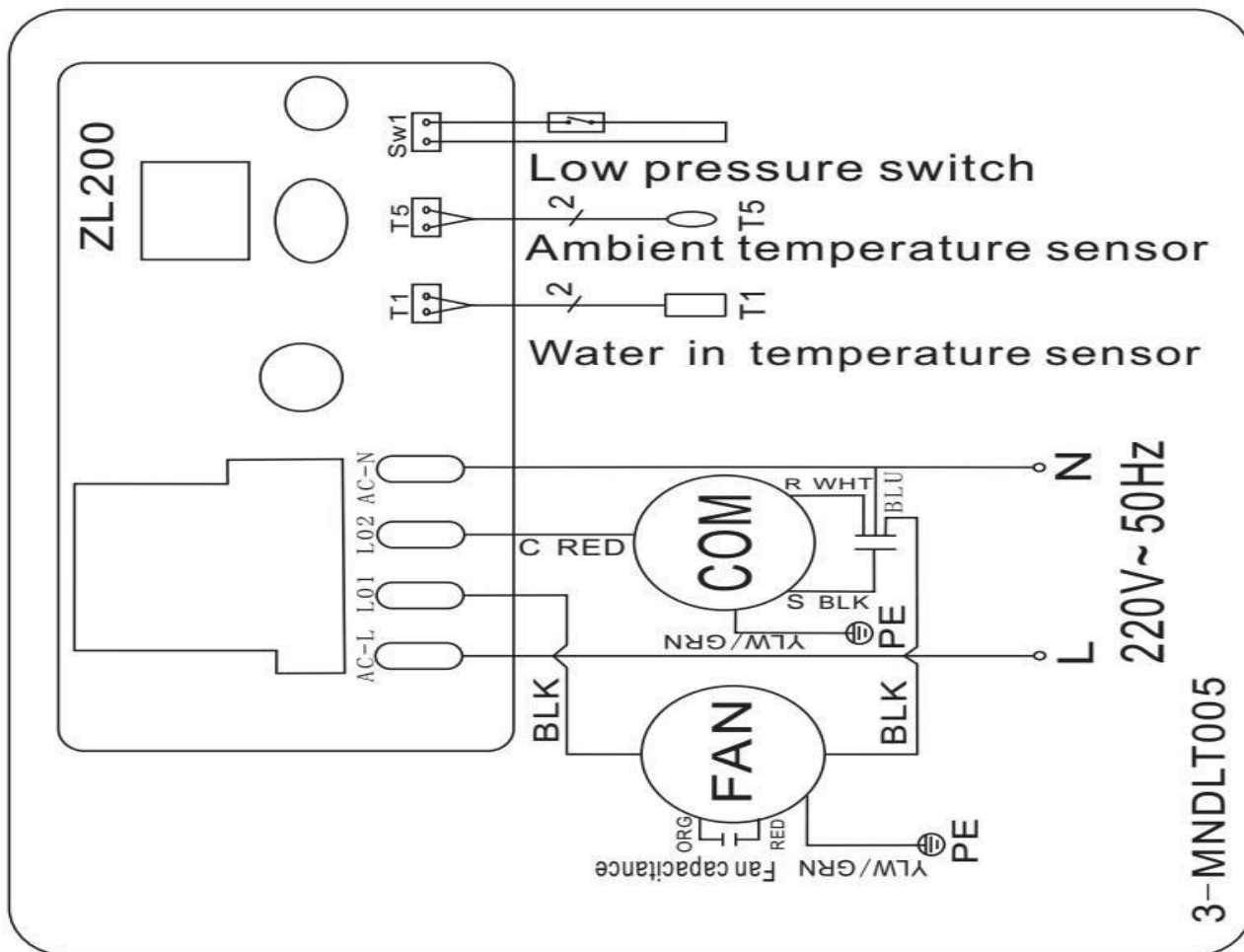
5.1 ZWEMBAD WARMTEPOMP BEDRADINGSHEMA

Code; HPM20



5.2 ZWEMBAD WARMTEPOMP BEDRADINGSHEMA

Code; HPM30/HPM40



OPMERKING:

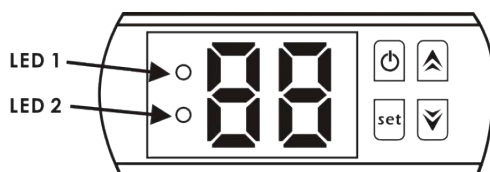
(1) Bovenstaande elektrisch bedrading schema is alleen ter referentie, onderwerp alstublieft de machinevolgens hetbedradingschema.

(2) De zwembad warmtepomp moet ook verbonden worden met een aarding draad, alhoewel de warmtewisselaar van het apparaat elektrisch geïsoleerd is van de rest van het apparaat. Het aarden van het apparaat is nog steeds nodig om u te beschermen tegen kortsluitingen in het apparaat. Verbinding is ook nodig.

Afsluiting: Een afsluiting betekent (circuit onderbreken, gezeekerde of niet-gezeekerde schakelaar) moet geplaatst worden binnen het zicht en of direct bereikbaar vanaf het apparaat. Dit is normaal gebruik op commerciële en residentiële warmtepompen. Het voorkomt het op afstand aan zetten van het apparaat en staat het afsluiten van de stroom van het apparaat toe terwijl het apparaat wordt nagekeken.

6. Scherm bediening systeem

6.1 De knoppen van de LED draad bediening




Wanneer de warmtepomp aan is, toont het LED scherm de invoer watertemperatuur.

LED 1 brandt als de compressor draait.

LED 2 brandt als er problemen zijn.



6.2 Start of stop dewarmtepomp

Druk op  om het warmtepomp apparaat te starten, het LED scherm toont de gewenste watertemperatuur voor 5 seconden, dan toont het de invoerwatertemperatuur.

Druk op  om het waterpomp apparaat stop te zetten.






6.3 Watertemperatuur instelling

Druk op  en  om de gewenste watertemperatuur in te stellen (bereik: .10—42°C)

Druk op  en  om de nieuwe gegevens op te slaan.

Opmerking ; de warmtepomp kan alleen werken als het water circulatie/filtratie systeem draait.

6.4 Hoe de parameters te controleren

Druk op , het zal de parametercontrole binnengaan, druk op  en  om de code d0 / d1 te kiezen, Druk op , het zal de gemeten waarde tonen. Tenslottedruk op  verlaten.

Code	Parameter
d0	Omgevingstemperatuur
d1	Water temperatuur

het kan de parameterdata niet instellen door eindgebruikers.

7. Problemen

7.1 Fout code scherm op LED draadbediening

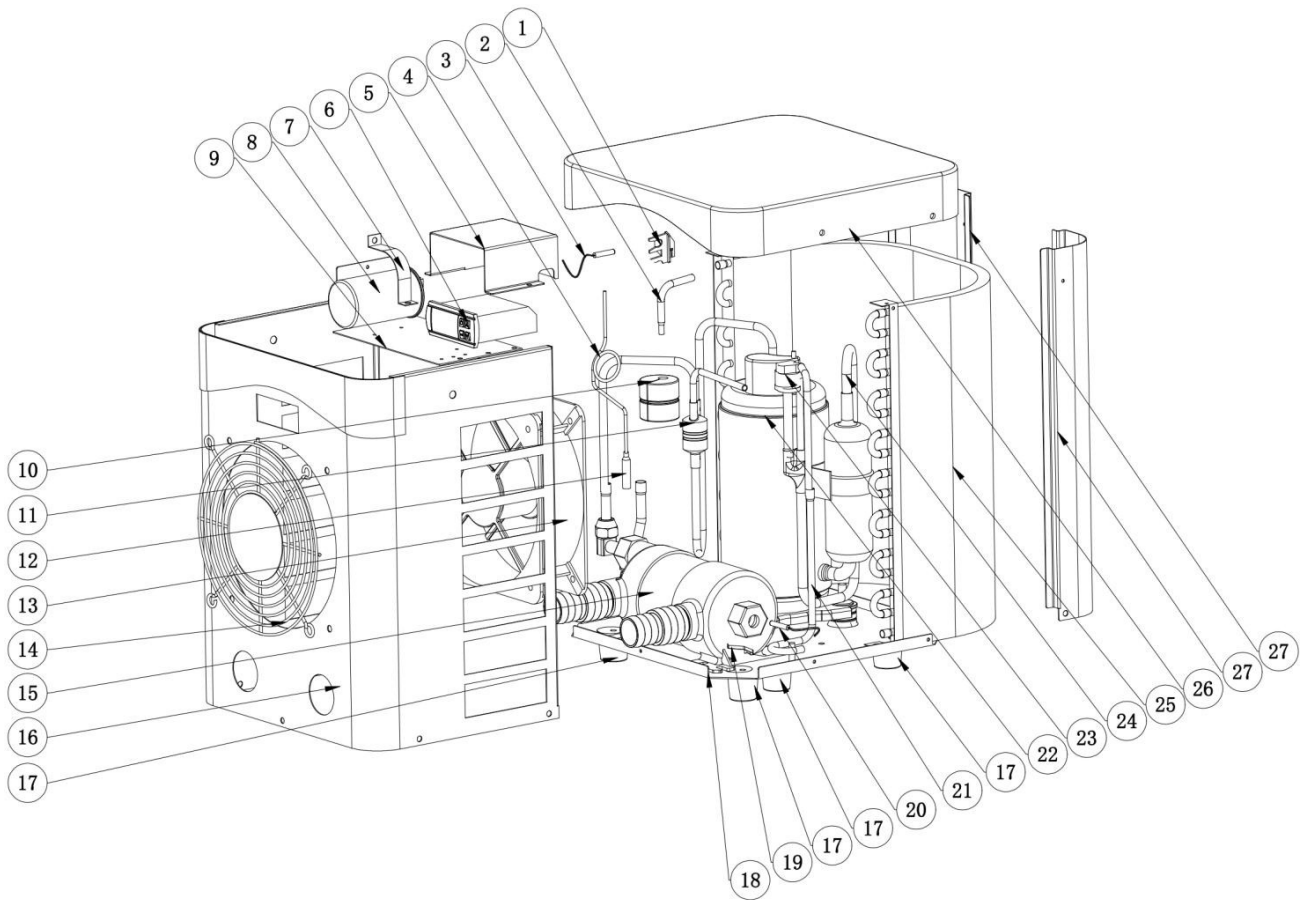
Storing	Fout code	Reden	Oplissing
Bescherming tegen te lage omgevingstemperatuur	P0	<ol style="list-style-type: none">1. De omgevingstemperatuur is lager dan 12 °C2. Controller mislukt.	<ol style="list-style-type: none">1. Wacht tot de omgevingstemperatuur stijgt tot 13 °C te starten.2. Vervang de nieuwe controller.
Fout in de watertemperatuursensor	P1	Watertemperatuursensor open circuit of kortsluiting.	Vervang de nieuwe watertemperatuursensor.
Uitval van de omgevingstemperatuursensor	P2	Omgevingstemperatuursensor open circuit of kortsluiting.	Vervang de nieuwe omgevingstemperatuursensor.
Lage druk bescherming	EL	<ol style="list-style-type: none">1. Lage drukschakelaar losgekoppeld of defect.2. Gaslekkage.	Het moet worden gerepareerd door de professionele technici.

7.2 Andere fouten en oplossingen (Geen verschijning op LED draad controller)

Malfunctions	Observing	Reason	Solution
Warmtepomp werkt niet	LED draadcontroller geen verschijning.	Geen stroomvoorziening	Controleer stroomkabel en groep in de meterkast.
	LED draad controller toont de actuele watertemperatuur.	<ol style="list-style-type: none"> 1. Watertemperatuur bereikte ingestelde waarde, HP onder constante temperatuur status. 2. Warmtepomp begint net te lopen. 	<ol style="list-style-type: none"> 1. Controleer watertemperatuur instelling. 2. Start warmtepomp na een paar minuten.
Korte looptijd	LED toont actuele watertemperatuur, er verschijnt geen fout code.	<ol style="list-style-type: none"> 1. Ventilator draait NIET. 2. Luchtventilator hij is niet genoeg. 3. Niet genoeg koelmiddel. 	<ol style="list-style-type: none"> 1. Controleer de kabelverbindingen tussen de motor en ventilator, wanneer nodig, moet het vervangen worden. 2. Controleerlocatie van het warmtepomp apparaat, en elimineer alle obstakels om een goede luchtventilatie mogelijk te maken. 3. Vervang of repareer het warmtepomp apparaat.
Water vlekken	Water vlekken op warmtepomp apparaat.	<ol style="list-style-type: none"> 1. Betonnen. 2. Water lekkage. 	<ol style="list-style-type: none"> 1. Geen actie. 2. Controleer de titanium warmtewisselaar zorgvuldig of het defect is.

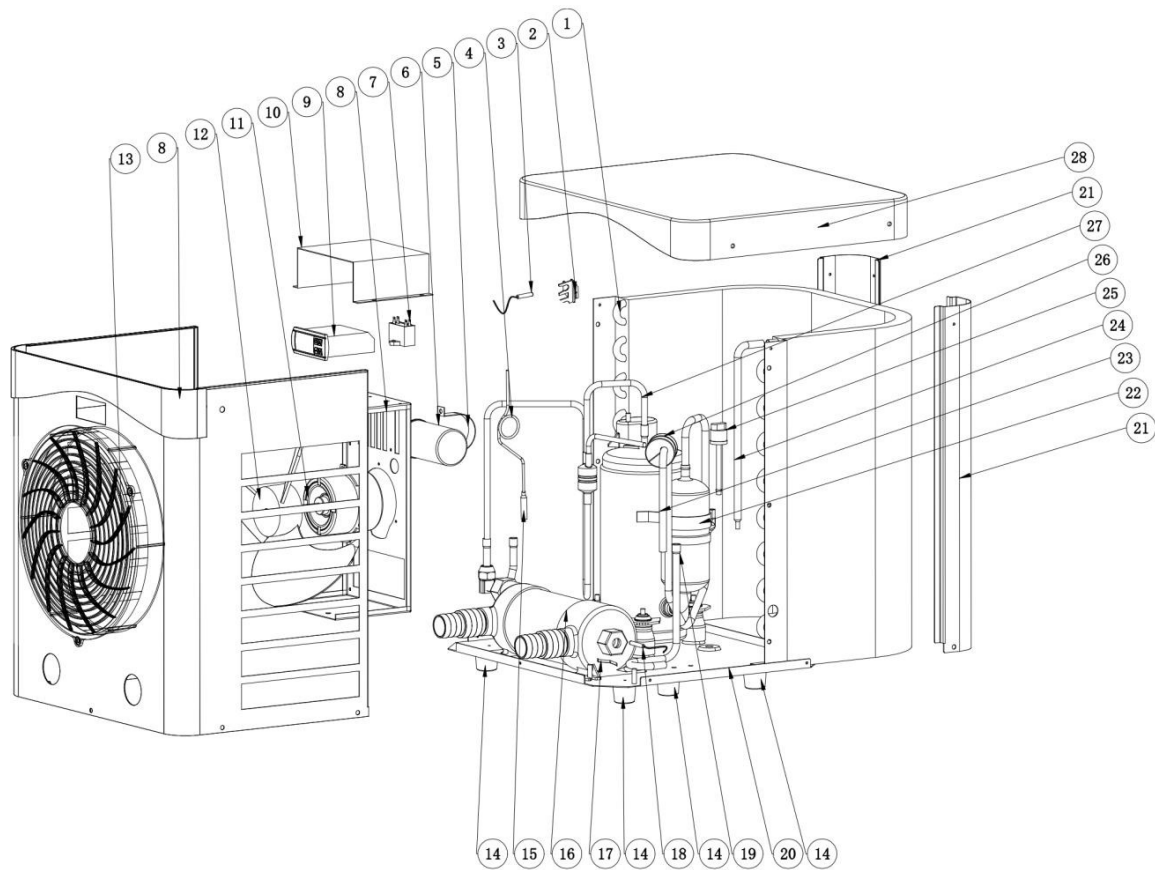
8. Exploded Diagram

Unit: HPM20



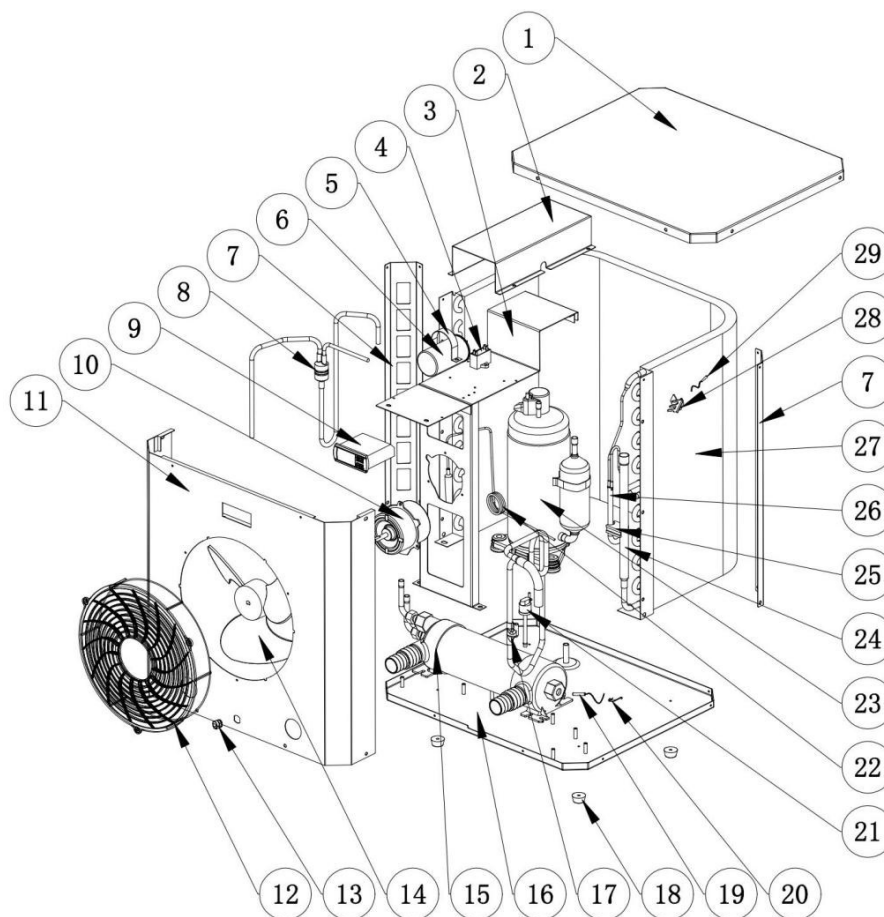
No	Onderdeel	HPM20	No	Onderdeel	HPM20
1	Omgevingstemperatuur Sensor Clip	102040891	15	Titaniumwisselaar	102040891
2	Koperen buis	108680047	16	Front paneel	108680047
3	Omgevingstemp. Sensor T5	136020168	17	Rubberen voeten	136020168
4	Capillair	108680045	18	Bodemplaat	108680045
5	Elektrisch compartiment	108010025	19	Klem	108010025
6	Display	117110068	20	Temp. sensor inkomend water T1	117110068
7	Compressor condensator Clip	113050123	21	Gasverzamelpijp	113050123
8	Compressor condensator	101000233	22	Compressor	101000233
9	Topplaat van ventilatormotor	116000091	23	Lagedrukschakelaar	116000091
10	Schokbestendige rubberen hamer	113010300	24	Uitlaat	113010300
11	Gas retourleidingen	103000236	25	Verdamper	103000236
12	Koperen buis	133400001	26	Bovenklep	133400001
13	Ventilatormotor	108680046	27	Wandsteun	108680046
14	Front rooster				

Unit: HPM30



No	Onderdeel	HPM30	No	Onderdeel	HPM30
1	Verdamper	103000237	15	Koperen buis	113100027
2	Omgevingstemperatuur Sensor Clip	133020010	16	Titaniumwisselaar	102040900
3	Omgevingstemp. Sensor T5	117110079	17	Klem	108010025
4	Capillair	109000038	18	T1 watertemperatuursonde	117110068
5	Compressor condensator Clip	108010006	19	Gasverzamelbuis	113050125
6	Compressor condensator	111000011	20	Bodemplaat	108690033
7	Ventilator condensator	111000034	21	Wandsteun	108690048
8	Front paneel	108690047	22	Compressor	101000232
9	Display	117020189	23	Gas retourleidingen	113020467
10	Elektrisch compartiment	108690015	24	Koperen buis	113420129
11	Ventilator motor	112000054	25	Lagedrukschakelaar	116000091
12	Waaierblad	132000024	26	Schokbestendige rubberen hamer	136020026
13	Front rooster	133020052	27	Uitlaat	113010351
14	Rubberen voeten	136020168	28	Deksel	133330004

Unit: HPM40



No.	Onderdeel	HPM40	No.	Onderdeel	HPM40
1	Deksel	108950004	16	Bodemplaat	108950001
2	Elektrisch compartiment	108950006	17	Gas retourleidingen	113020602
3	Ventilatormotor beugel	108950005	18	Rubberen voeten	136020141
4	Ventilator condensator	111000034	19	Temp. sensor inkomend waterT1	117110068
5	Compressor condensator Clip	108010006	20	Clip van de temperatuursensor van de wisselaar	108010025
6	Compressor condensator	111000012	21	Lagedrukschakelaar	116000091
7	Wandsteun	108950003	22	Capillair	109000038
8	Uitlaat	113020624	23	Compressor	101000210
9	Display	117020165	24	Gasverzamelpijp	103000343
10	Ventilatormotor	112000079	25	Rubberen blok	136020005
11	Front paneel	108950002	26	Distributie leidingen	103000343
12	Front rooster	133020052	27	Verdamper	103000343
13	Kabeldoorvoer netsnoer	142000126	28	Omgevingstemp. sensor clip	133020010
14	Waaierblad	132000024	29	Omgevingstemp. SensorT5	117110079
15	Titaniumwisselaar	117020363			

9. Onderhoud

(1) U moet het water voorziening systeem regelmatig controleren om te voorkomen dat lucht het systeem binnentreedt en lage water doorvoer voorkomen, omdat het de prestaties en betrouwbaarheid van het HP apparaat kan verminderen.

(2) Reinig uw zwembaden en filter systeem regelmatig om schade aan het apparaat te vermijden als een resultaat van eenvuil of verstopt filter.

(3) Laat het water in de warmtepomp altijd leeglopen in de winter of wanneer de omgevingstemperatuur onder 0 °C daalt, anders zal de titaniumwisselaar beschadigd raken door bevriezing. In dat geval vervalt uw garantie.

(4) In omgekeerde manier, moet u controleren dat het apparaat volledig met water gevuld is voordat u het apparaat weer opnieuwopstart.

(5) Wanneer het apparaat werkt, is er de gehele tijd een klein water verlies onder het apparaat.

10. Accessoires



Aftapsproeier, 1 st



Waterafvoerbuis, 1 st

MINI POMPA CIEPŁA

Instrukcja obsługi dla użytkownika

SPIS TREŚCI

1. Specyfikacje techniczne
2. Reklama transportowa
3. Wymiary
4. Instalacja i przyłącza
5. Okablowanie
6. Obsługa panelu sterowania
7. Rozwiązywanie problemów
8. Rysunek rozłożeniowy
9. Czynności pielęgnacyjne i serwisowe
10. Akcesoria

Dziękujemy za skorzystanie z pompy ciepła, który podgrzeje wodę w Twoim basenie i utrzyma jej temperaturę, gdy temperatura otoczenia przekroczy 12 °C.

▲ UWAGA: Niniejsza instrukcja obsługi zawiera wszystkie niezbędne informacje dotyczące użytkowania i instalacji pompy ciepła.

Instalator musi zapoznać się z instrukcją obsługi i uważnie przestrzegać instrukcji dotyczących wdrażania i przeprowadzania czynności pielęgnacyjnych i serwisowych.

Instalator jest odpowiedzialny za instalację produktu i powinien przestrzegać wszystkich instrukcji producenta oraz obowiązujących przepisów. Instalacja niezgodna z instrukcją obsługi powoduje unieważnienie całej gwarancji.

Producent nie ponosi żadnej odpowiedzialności za szkody wyrządzone osobom lub mieniu, które nastąpiły na skutek instalacji niezgodnej z wytycznymi podanymi w instrukcji obsługi. Każde użycie niezgodne z podanym przez producenta będzie uważane za niebezpieczne.

1. Specyfikacje techniczne

1.1 Dane techniczne dla basenowych pomp ciepła

Model	HPM20	HPM30	HPM40
Nr części	71245	71258	71606
*Moc grzewcza przy temp. powietrza 28°C, wody 28°C, wilgotności 80%			
Wydajność grzewcza (kW)	2.5	4.2	5.5
Zużycie energii (kW)	0.59	1	1.31
COP	4.2	4.2	4.2
*Moc grzewcza przy temp. powietrza 15°C, wody 26°C, wilgotności 70%			
Wydajność grzewcza (kW)	1.9	3.2	4.2
Zużycie energii (kW)	0.56	0.91	1.2
COP	3.4	3.5	3.5
*Ogólne dane			
Napięcie (V)	220-240V~50Hz/1PH		
Prąd znamionowy(A)	2.6	4.4	5.8
Prąd bezpiecznika(A)	7.5	10	16
Maksymalna objętość basenu ** (m ³)	<20	<30	<40
Minimalny i zalecany przepływ wody (m ³ /h)	2	2	2.5
Maksymalne / minimalne ciśnienie robocze (Mpa)	4.2/0.05		
Spadek ciśnienia wody(Kpa)	15	15	15
Wymiennik ciepła	Tytanowy wymiennik ciepła w PCV		
Stopień ochrony	IPX4		
Wlot/wylot rury(mm)	38/32		
Poziom hałasu (10 m)dB(A)	48	46	46
Poziom hałasu (1 m)dB(A)	57	55	55
Rodzaj czynnika chłodniczego(R32)	160	290	400
* Wymiary / Waga			
Waga netto (kg)	20	30	32
Waga brutto (kg)	19	28.5	33
Wymiar netto (mm)	313*364.5*428.5	435*436.5*511.5	515*487*541.5
Wymiar opakowania (mm)	380*455*500	496*525*575	570*570*605

* Powyższe dane mogą ulec zmianie bez uprzedniego powiadomienia.

** Sprawdź nasze opakowanie lub stronę internetową, aby uzyskać więcej informacji.

2. Reklama transportowa

2.1 Dostawa opakowania



Do transportu pompy ciepła są zamocowane na palecie i przykryte kartonem.

Aby zabezpieczyć się przed uszkodzeniami, pompę ciepła należy przenosić w opakowaniu.

Obowiązkiem adresata jest powiadomienie w ciągu 48 godzin o wszelkich uszkodzeniach powstałych podczas dostawy. Żadna odpowiedzialność nie może zostać podjęta po podpisaniu umowy na jednostkę.

2.2 Reklama giełdowa



- * Magazyn powinien być jasny, obszerny, otwarty, dobrze wentylowany, posiadać sprzęt wentylacyjny i nie mieć źródła ognia.
- * Pompę ciepła należy przechowywać i przenosić w pozycji pionowej w oryginalnym opakowaniu. Jeśli tak nie jest, nie można go używać, dopóki nie minie minimalny okres 24 godzin, zanim będzie można włączyć zasilanie elektryczne.

ZAKAZANA

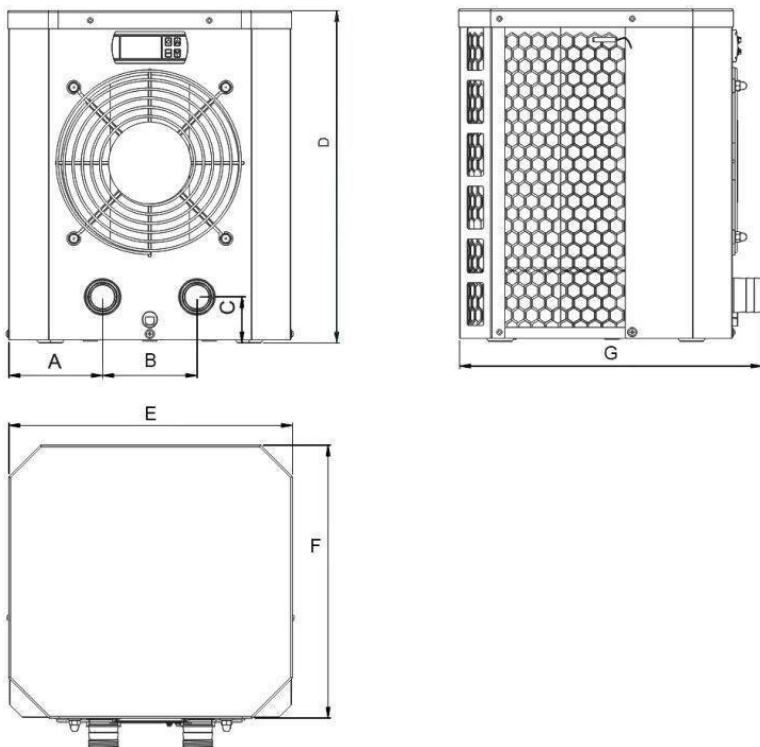


1.1 Przeniesienie do ostatecznej pozycji

- * Podczas rozpakowywania produktu i przemieszczania z palety do miejsca docelowego montażu należy utrzymywać pompę ciepła w pozycji pionowej.
- * W pobliżu maszyny R32 zabronione jest palenie i używanie płomieni.

Przyłącze wodne nie może służyć jako uchwyty nośne. Producent nie ponosi odpowiedzialności w przypadku uszkodzenia rur wodociągowych.

3. Wymiary



Pozycja / (mm)	A	B	C	D	E	F	G
HPM20	90.4	130	50	428.5	313	300	364.5
HPM30	116.5	200	50	511.5	435	365	436.5
HPM40	134.6	260	50	541.5	515	421	487

4. Instalacja i przyłącza

UWAGA:

Podczas instalacji pompy ciepła należy przestrzegać następujących zasad:

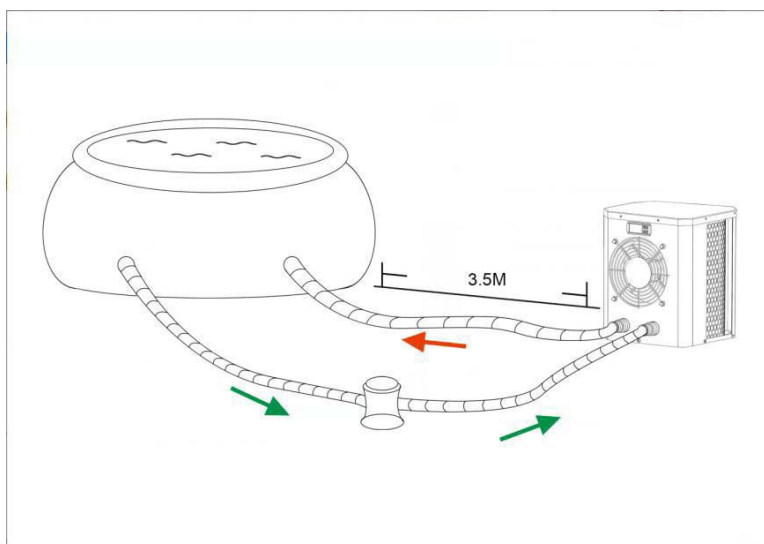
1. Dodawanie chemikaliów musi odbywać się w orurowaniu znajdującym się **za** pompą ciepła.
2. Zawsze utrzymuj pompę ciepła w pozycji pionowej. Jeśli była nachylona pod kątem, odczekaj co najmniej 24 godziny przed jej uruchomieniem.

4.1 Miejsce pod pompę ciepła

Urządzenie będzie działać poprawnie w dowolnym miejscu, o ile obecne są następujące trzy elementy:

1. Świeże powietrze – 2. Zasilanie elektryczne – 3. Filtry basenowe

Urządzenie można zainstalować praktycznie w dowolnym miejscu **na zewnątrz**, o ile zachowane zostaną określone minimalne odległości od innych obiektów (patrz rysunek poniżej). Skontaktuj się z instalatorem w celu instalacji krytego basenu. Instalacja w wietrznym miejscu nie stanowi żadnego problemu, chyba że to pompa ciepła z kotłem gazowym (problemy z płomieniem pilota).



UWAGA: Nigdy nie instaluj urządzenia w zamkniętym pomieszczeniu o ograniczonej objętości powietrza, w którym powietrze wydmuchiwane z urządzenia zostanie ponownie wykorzystane, lub w pobliżu krzewów, które mogłyby zablokować wlot powietrza. Takie miejsca utrudniają ciągłe dostarczanie świeżego powietrza, co skutkuje zmniejszoną wydajnością i w efekcie uniemożliwia osiągnięcie wystarczającej mocy cieplnej.

4.2 Wstępna eksploatacja

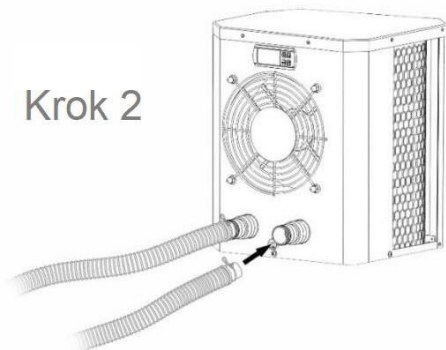
Uwaga: Aby podgrzać wodę w basenie (lub wannie z hydromasażem), pompa filtrująca musi pracować, aby umożliwić cyrkulację wody przez pompę ciepła. Pompa ciepła nie uruchomi się, jeśli woda nie będzie krążyć.

4.3 Podłączenie węża

Krok 1



Krok 2



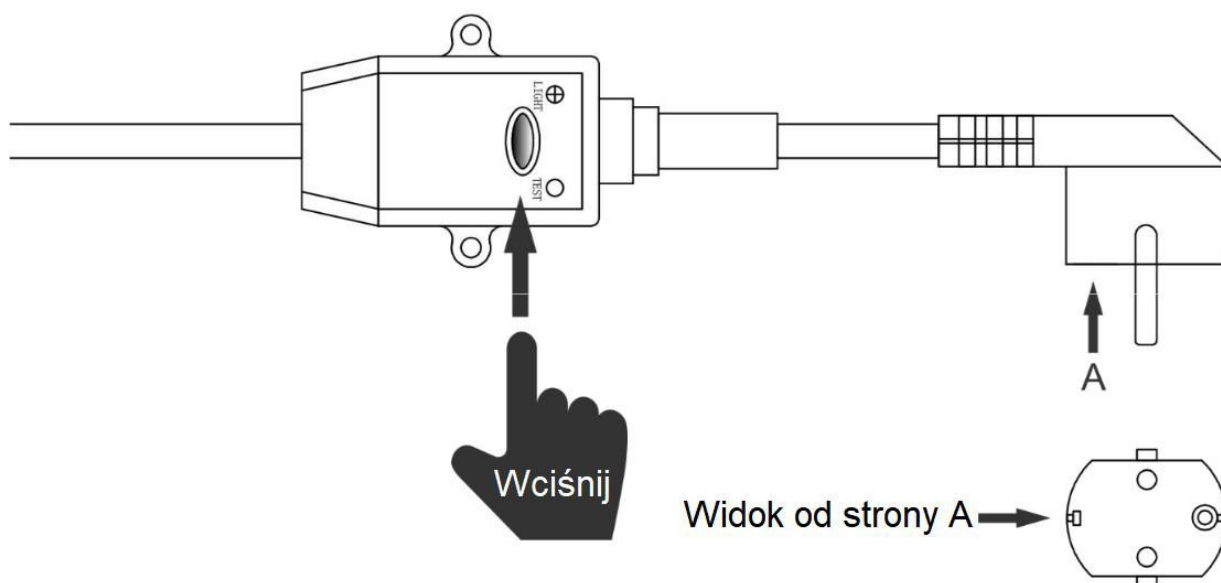
Uwaga:

Fabryka dostarcza tylko pompę ciepła. Wszystkie inne komponenty, w tym dwa węże i obejma zostaną dostarczone przez użytkownika lub instalatora.

4.4 Połączenia elektryczne

Przed podłączeniem urządzenia sprawdź, czy napięcie zasilania odpowiada napięciu robocznemu pompy ciepła. Wtyczka RCD została dołączona do kabla zasilającego, który może zapewnić ochronę elektryczną. Przycisk testu służy do sprawdzania sprawności wyłącznika.

Wtyczka RCD zawiera przycisk testowy do sprawdzania obwodu zdolność wyłączenia.



UWAGA:

Upewnij się, że wtyczka jest bezpieczna Jeśli wtyczka nie jest bezpieczna, może dojść do porażenia prądem, przegrzania lub pożaru	Nigdy nie wyciągaj wtyczki z gniazdka podczas pracy W przeciwnym razie może dojść do porażenia prądem lub pożaru spowodowanego przegrzaniem.	Nigdy nie używaj uszkodzonych przewodów elektrycznych lub przewodów elektrycznych niespełniających specyfikacji. W przeciwnym razie może dojść do porażenia prądem lub pożaru.
		

Po wykonaniu i sprawdzeniu wszystkich połączeń przeprowadź następującą procedurę:

1. Włącz pompę filtra. Sprawdź, czy nie ma przecieków i sprawdź, czy woda płynie z i do basenu.
2. Podłącz zasilanie do pompy ciepła i naciśnij przycisk „ON/OFF” na elektronicznym panelu sterowania. Urządzenie uruchomi się po upływie czasu opóźnienia (patrz poniżej).
3. Po kilku minutach sprawdź, czy powietrze wydmuchiwane z urządzenia jest chłodniejsze.
4. Po wyłączeniu pompy filtra urządzenie powinno również wyłączyć się automatycznie.

W zależności od początkowej temperatury wody w basenie i temperatury powietrza, podgrzanie wody do żądanej temperatury może potrwać kilka dni. Dobra osłona basenu może znacznie skrócić wymagany czas.

Opóźnienie startu - Pompa ciepła ma wbudowany system 3-minutowego opóźnienia startu w celu ochrony obwodów i uniknięcia nadmiernego zużycia styków. Urządzenie uruchomi się automatycznie po upływie tego czasu.

W przypadku pierwszego uruchomienia lub przerwy w zasilaniu, pompa ciepła uruchomi się 10 sekund później po naciśnięciu przycisku „ON/OFF”.

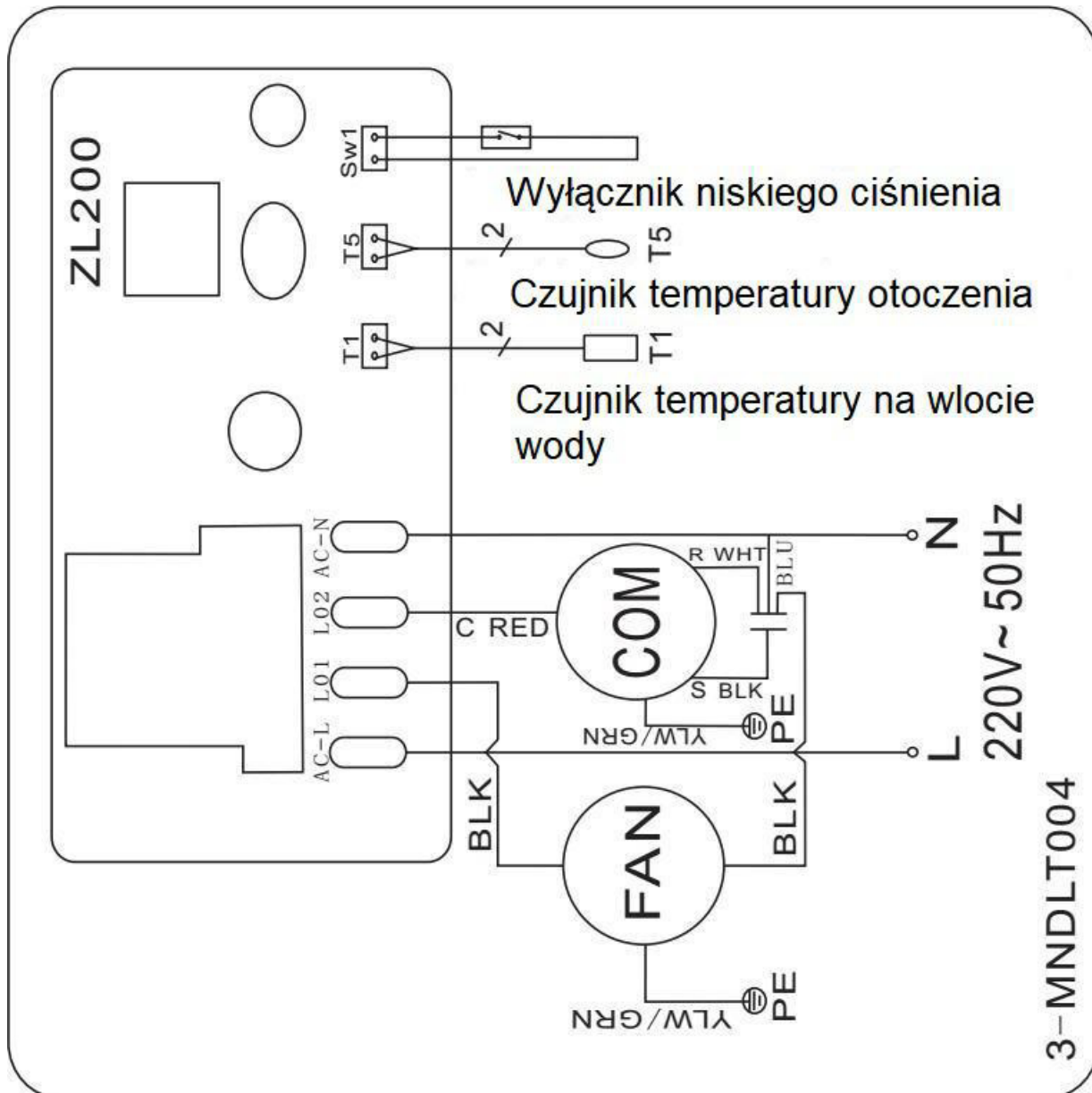
4.5 Kondensacja

Powietrze zasysane do pompy ciepła jest silnie chłodzone przez działającą pompę ciepła do ogrzewania wody basenowej, co może powodować kondensację na lamelach parownika. Ilość skondensowanej pary wodnej może wynosić nawet kilka miotów na godzinę przy wysokiej wilgotności względnej. Zjawisko to jest czasami błędnie mylone z wyciekami wody.

5. Okablowanie

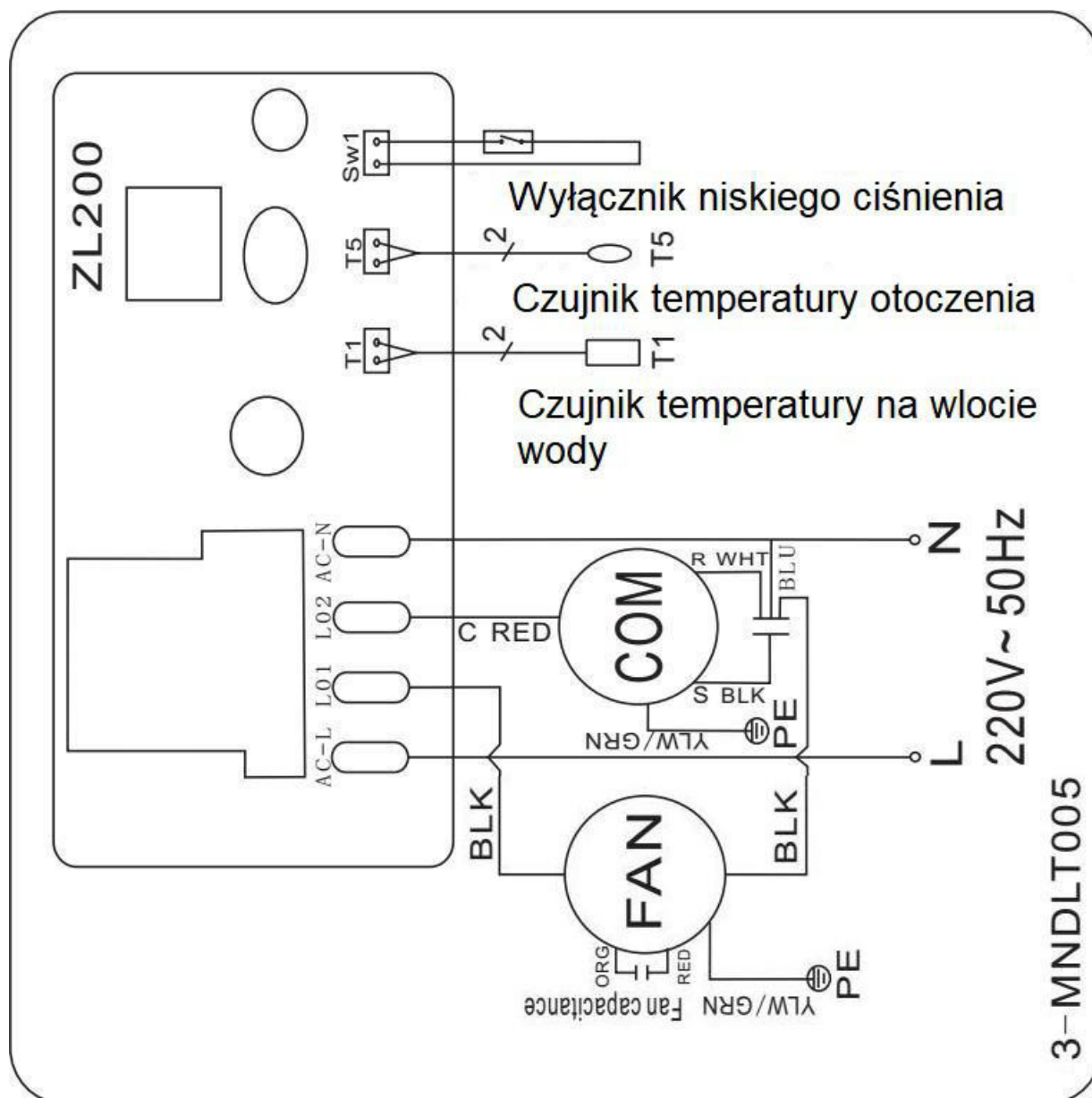
5.1 Schemat okablowania basenowej pompy ciepła

HPM20



5.2 Schemat okablowania basenowej pompy ciepła

HPM30/HPM40



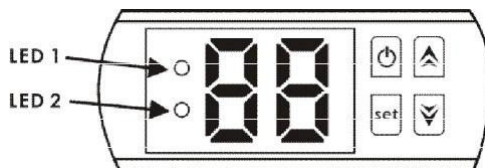
UWAGA:

- (1) Powyższy schemat okablowania służy wyłącznie do celów informacyjnych. Prosimy kierować się nadesłanym schematem okablowania.
- (2) Basenowa pompa ciepła musi być dobrze połączona z przewodem uziemiającym, chociaż jej wymiennik ciepła jest elektrycznie odizolowany od reszty urządzenia. Uziemienie urządzenia jest wymagane również w celu ochrony przed zwarciami wewnątrz urządzenia. Wymagane jest również połączenie do masy.

Przerwanie obwodu: Środki przerywające obwód (wyłącznik automatyczny, bezpiecznik lub wyłącznik bez bezpiecznika) powinny być umieszczone w zasięgu wzroku i łatwo dostępne z urządzenia. Jest to powszechna praktyka w komercyjnych i mieszkalnych pompach ciepła. Można w ten sposób uniknąć konieczności instalowania zdalnego zasilania bezobsługowego sprzętu i umożliwić wyłączenie zasilania jednostki podczas serwisowania urządzenia.

6 Obsługa panelu sterowania

6.1 Przyciski kontrolera przewodowego LED





Gdy pompa ciepła pracuje, wyświetlacz LED pokazuje temperaturę wody na wlocie.

Dioda LED 1 świeci się, gdy sprężarka pracuje.

Dioda 2 świeci się, gdy wystąpi awaria.

6.2 Włączanie / wyłączenie pompy ciepła

Przyciśnij  aby włączyć pompę ciepła. Przez 5 sekund wyświetlacz LED będzie wskazywał ustawienia temperatury wody, a następnie pokaże temperaturę wody na wlocie.

Przyciśnij ponownie , aby wyłączyć pompę ciepła.

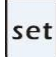




6.3 Ustawianie temperatury wody

Przyciskaj bezpośrednio  lub , aby dostosować temperaturę wody (w zakresie od 10 do 42 °C).

Przyciśnij  lub , aby zapamiętać ustawienia, a następnie wyjdź.

UWAGA: pompa ciepła może pracować tylko wtedy, gdy działa system obiegu wody / filtracji.

6.4 Sprawdzanie parametrów

Wciśnij , aby wejść do sprawdzania ustawień. Naciskaj  lub , aby wybrać kod d0/d1; ponownie przyciśnij  - pokaże zmierzoną wartość. Na koniec wciśnij , aby wyjść.

Kod	Parametr
d0	Temperatura otoczenia
d1	Temperatura wody na wlocie

Uwaga: Nie można ustawiać danych parametrów przez użytkowników końcowych.

7 Rozwiązywanie problemów

7.1 Kod błędu na kontrolerze LED

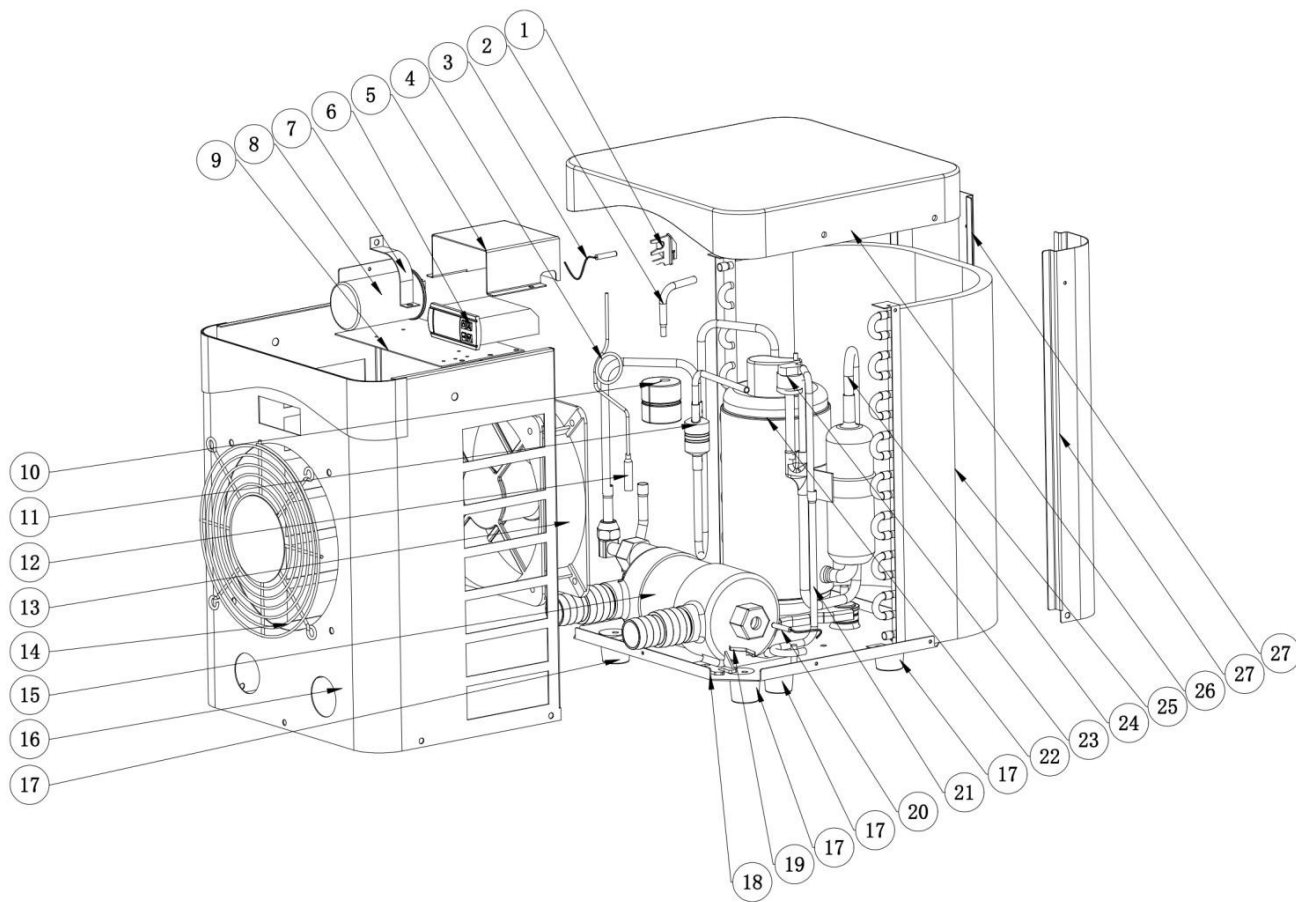
Awaria	Kod	Powód	Rozwiązanie
Zbyt niska wysoka temperatura otoczenia	P0	1. Temperatura otoczenia jest poniżej 12 °C . 2. Awaria sterownika.	1. Poczekać, aż temperatura otoczenia wzrośnie do 13 °C, aby zrestartować. 2. Wymień sterownik na nowy.
Awaria czujnika temperatury wody	P1	Otwarty obwód czujnika temperatury wody lub zwarcie.	Wymień czujnik temperatury wody na nowy.
Awaria czujnika temperatury otoczenia	P2	Otwarty obwód czujnika temperatury otoczenia lub zwarcie.	Wymień czujnik temperatury otoczenia na nowy.
Ochrona przed spadkiem ciśnienia	EL	1. Wyłącznik niskiego ciśnienia odłączony lub uszkodzony. 2. Wyciek gazu.	Musi być naprawiony przez profesjonalnych techników.

7.2 Inne awarie i rozwiązania (niewyświetlane przez sterownik przewodowy)

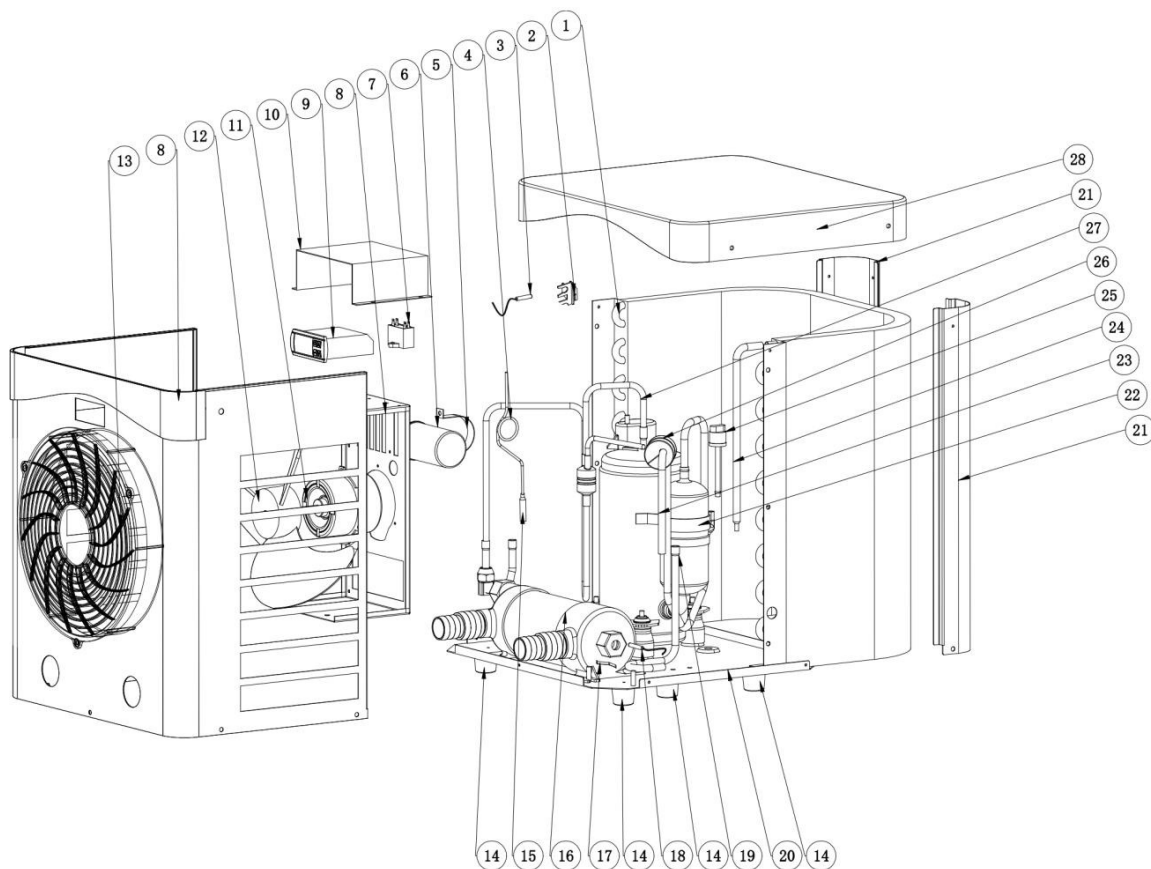
Awarie	Obserwacja	Powód	Rozwiązanie
Pompa ciepła nie działa	Brak wyświetlenia na sterowniku LED	Brak zasilania	Sprawdź kabel i bezpiecznik, czy są podłączone
	Sterownik LED wyświetla rzeczywistą temperaturę wody	<ol style="list-style-type: none"> 1. Temperatura wody zbliża się do zadanej; pompa ciepła w trybie stałej temperatury. 2. Pompa ciepła dopiero zaczyna działać. 	<ol style="list-style-type: none"> 1. Sprawdź ustawienia temperatury wody. 2. Uruchom pompę po kilku minutach.
Krótki przebieg	Sterownik LED wyświetla rzeczywistą temperaturę, ale nie wyświetla kodu błędu.	<ol style="list-style-type: none"> 1. Wentylator NIE działa. 2. Wentylacja nie jest wystarczająca. 3. Brak wystarczającej ilości czynnika chłodniczego. 	<ol style="list-style-type: none"> 1. Sprawdź połączenia kablowe między silnikiem a wentylatorem, w razie potrzeby należy je wymienić. 2. Sprawdź lokalizację pompy ciepła i usuń wszystkie przeszkody, aby zapewnić dobrą wentylację. 3. Wymień lub napraw pompę ciepła.
Plamy wody	Plamy wody na pompie ciepła	<ol style="list-style-type: none"> 1. Skraplanie 2. Wyciek wody 	<ol style="list-style-type: none"> 1. Brak działania 2. Sprawdź dokładnie tytanowy wymiennik ciepła w kierunku uszkodzeń

8. Rysunek rozłożeniowy

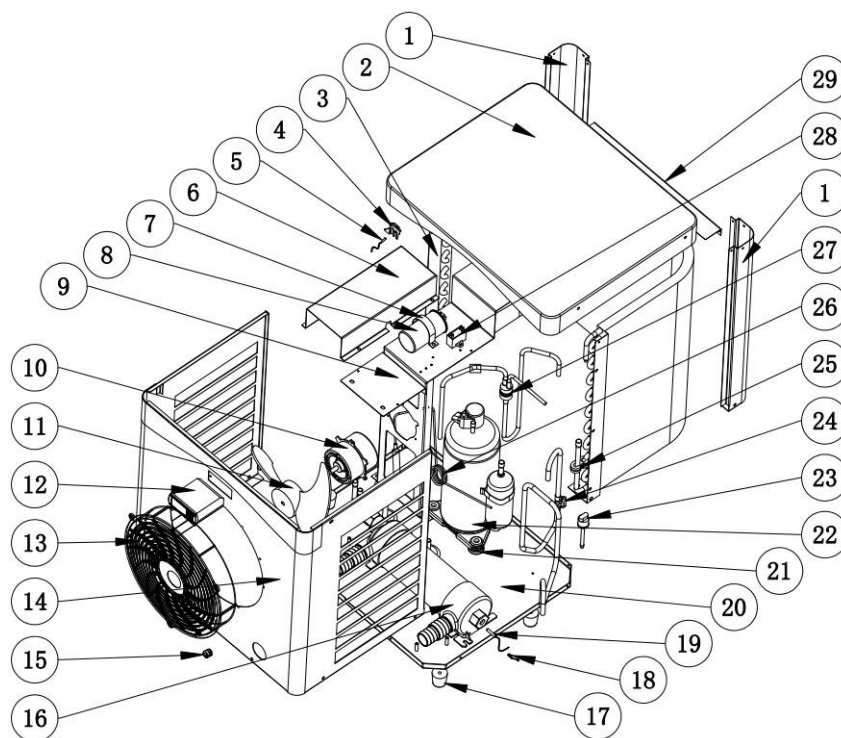
Model:HPM20



Nr	Części zamienne	HPM20	Nr	Części zamienne	HPM20
1	Klips do czujnika temperatury otoczenia	102040891	15	Wymiennik tytanowy	102040891
2	Miedziana rura	108680047	16	Przedni panel	108680047
3	Sonda temperatury Środowisko T5	136020168	17	Gumowe nóżki	136020168
4	Kapilarny	108680045	18	Baza	108680045
5	Elektryczne pudełko	108010025	19	Spinacz	108010025
6	Kontroler	117110068	20	Sonda temperatury wody T1	117110068
7	Zacisk kondensatora sprężarki	113050123	21	Rurka do pobierania gazu	113050123
8	Kondensator sprężarki	101000233	22	Kompresor	101000233
9	Płyta górna wentylatora silnika	116000091	23	Przełącznik niskiego ciśnienia	116000091
10	Młotek gumowy odporny na wstrząsy	113010300	24	Wyczerpana rura	113010300
11	Rura powrotna gazu	103000236	25	Parownik	103000236
12	Miedziana rura	133400001	26	Górna obudowa	133400001
13	Zespół silnika wentylatora	108680046	27	Kolumna	108680046
14	Kratka przednia				



Nr	Części zamienne	HPM30	Nr	Części zamienne	HPM30
1	Parownik	103000237	15	Miedziana rura	113100027
2	Klips do czujnika temperatury otoczenia	133020010	16	Wymiennik tytanowy	102040900
3	Sonda temperatury Środowisko T5	117110079	17	Spinacz	108010025
4	Kapilarny	109000038	18	Sonda temperatury wody T1	117110068
5	Zacisk kondensatora sprężarki	108010006	19	Rurka do pobierania gazu	113050125
6	Kondensator sprężarki	111000011	20	Baza	108690033
7	Kondensator wentylatora	111000034	21	Kolumna	108690048
8	Montaż panelu przedniego	108690047	22	Kompresor	101000232
9	Kontroler	117020189	23	Rura powrotna gazu	113020467
10	Elektryczne pudełko	108690015	24	Miedziana rura	113420129
11	Silnik wentylatora	112000054	25	Przełącznik niskiego ciśnienia	116000091
12	Łopatką wentylatora	132000024	26	Młotek gumowy odporny na wstrząsy	136020026
13	Kratka przednia	133020052	27	Wyczerpana rura	113010351
14	Gumowe nóżki	136020168	28	Górna obudowa	133330004



Nr	Części zamienne	HPM40	Nr	Części zamienne	HPM40
1	Kolumna	108950009	16	Wymiennik tytanowy	117020363
2	Górna obudowa	133440001	17	Gumowe nóżki	136020168
3	Parownik	103000343	18	Zacisk sondy temperatury wymiennika	108010025
4	Temp. Zacisku sondy środowisko	133020010	19	Sonda temperatury wody T1	117110068
5	Sonda temperatury wody T1	117110068	20	Baza	108950007
6	Elektryczne pudełko	108950006	21	Gumowe nóżki kompresora	101000241
7	Zacisk kondensatora sprężarki	108010006	22	Kompresor	101000241
8	Kondensator sprężarki	111000012	23	Przełącznik niskiego ciśnienia	116000091
9	Wsparcie silnika wentylatora	108950010	24	Rura powrotna gazu	113020602
10	Silnik wentylatora	112000079	25	Gumowy zamek	136020018
11	Łopatką wentylatora	132000024	26	Kapilarny	109000038
12	Kontroler	117020302	27	Wyczerpana rura	113020624
13	Kratka przednia	133020052	28	Kondensator wentylatora	111000034
14	Montaż panelu przedniego	108950008	29	Płyta wsporcza wspornika silnika	108950011
15	Kabel zasilający	142000126			

9. Czynności pielęgnacyjne i serwisowe

- (1) Należy regularnie sprawdzać system doprowadzania wody, aby uniknąć przedostawania się powietrza do systemu i występowania niskiego przepływu wody, ponieważ zmniejsza to wydajność i niezawodność pompy ciepła.
- (2) Należy regularnie czyścić basen i system filtracyjny, aby uniknąć uszkodzenia urządzenia w wyniku zatkanego zabrudzeniami filtra.
- (3) Proszę zawsze opróżnić wodę z pompy ciepła w okresie zimowym lub gdy temperatura otoczenia spadnie poniżej 0 °C, w przeciwnym razie tytanowy wymiennik zostanie uszkodzony z powodu zamarznięcia, w takim przypadku utracisz gwarancję.
- (4) Poza tym należy sprawdzić, czy urządzenie jest całkowicie napełnione wodą, zanim zostanie ponownie uruchomione.
- (5) Gdy urządzenie pracuje, pod urządzeniem cały czas znajduje się niewielka ilość wody.

10. Akcesoria



EN - GUARANTEE CERTIFICATE 1

GENERAL TERMS

- 1.1 In accordance with these provisions, the seller guarantees that the product corresponding to this guarantee ("the Product") is in perfect condition at the time of delivery.
- 1.2 The Guarantee Term for the Product is two (2) years from the time it is delivered to the purchaser.
- 1.3 In the event of any defect in the Product that is notified by the purchaser to the seller during the Guarantee Term, the seller will be obliged to repair or replace the Product, at his own cost and wherever he deems suitable, unless this is impossible or unreasonable.
- 1.4 If it is not possible to repair or replace the Product, the purchaser may ask for a proportional reduction in the price or, if the defect is sufficiently significant, the termination of the sales contract.
- 1.5 The replaced or repaired parts under this guarantee, will not extend the guarantee period of the original Product, but will have a separate guarantee.
- 1.6 In order for this guarantee to come into effect, the purchaser must provide proof of the date of purchase and delivery of the Product.
- 1.7 If, after six months from the delivery of the Product to the purchaser, he notifies a defect in the Product, the purchaser must provide proof of the origin and existence of the alleged defect.
- 1.8 This Guarantee Certificate is issued without prejudice to the rights corresponding to consumers under national regulations.

2 INDIVIDUAL TERMS

- 2.1 This guarantee covers the products referred to in this manual.
- 2.2 This Guarantee Certificate will only be applicable in European Union countries.
- 2.3 For this guarantee to be effective, the purchaser must strictly follow the Manufacturer's instructions included in the documentation provided with the Product, in cases where it is applicable according to the range and model of the Product.
- 2.4 When a time schedule is specified for the replacement, maintenance or cleaning of certain parts or components of the Product, the guarantee will only be valid if this time schedule has been followed.

3 LIMITATIONS

- 3.1 This guarantee will only be applicable to sales made to consumers, understanding by "consumer", a person who purchases the Product for purposes not related to his professional activities.
- 3.2 The normal wear resulting from using the product is not guaranteed. With respect to expendable or consumable parts, components and/or materials, such as batteries, light bulbs, etc. the stipulations in the documentation provided with the Product, will apply.
- 3.3 The guarantee does not cover those cases when the Product; (I) has been handled incorrectly; (II) has been repaired, serviced or handled by non- authorised people or (III) has been repaired or serviced not using original parts. In cases where the defect of the Product is a result of incorrect installation or start-up, this guarantee will only apply when said installation or start-up is included in the sales contract of the Product and has been conducted by the seller or under his responsibility.

ES - CERTIFICADO DE GARANTÍA 1

ASPECTOS GENERALES

- 1.1 De acuerdo con estas disposiciones, el vendedor garantiza que el producto correspondiente a esta garantía ("el Producto") no presenta ninguna falta de conformidad en el momento de su entrega.
- 1.2 El Período de Garantía para el Producto es de dos (2) años y se calculará desde el momento de su entrega al comprador.
- 1.3 Si se produjera una falta de conformidad del Producto y el comprador lo notificase al vendedor durante el Período de Garantía, el vendedor deberá reparar o sustituir el Producto a su propio coste en el lugar donde considere oportuno, salvo que ello sea imposible o desproporcionado.
- 1.4 Cuando no se pueda reparar o sustituir el Producto, el comprador podrá solicitar una reducción proporcional del precio o, si la falta de conformidad es suficientemente importante, la resolución del contrato devenga.
- 1.5 Las partes sustituidas o reparadas en virtud de esta garantía no ampliarán el plazo de la garantía del Producto original, si bien dispondrán de su propia garantía.
- 1.6 Para la efectividad de la presente garantía, el comprador deberá acreditar la fecha de adquisición y entrega del Producto.
- 1.7 Cuando hayan transcurrido más de seis meses desde la entrega del Producto al comprador y éste alegue falta de conformidad de aquél, el comprador deberá acreditar el origen y la existencia del defecto alegado.
- 1.8 El presente Certificado de Garantía no limita o prejuzga los derechos que correspondan a los consumidores en virtud de normas nacionales de carácter imperativo.

2 CONDICIONES PARTICULARES

- La presente garantía cubre los productos a que hace referencia este manual.

- El presente Certificado de Garantía será de aplicación únicamente en los países de la Unión Europea.
- Para la eficacia de esta garantía, el comprador deberá seguir estrictamente las indicaciones del Fabricante incluidas en la documentación que acompaña al Producto, cuando ésta resulte aplicable según la gama y modelo del Producto.
- Cuando se especifique un calendario para la sustitución, mantenimiento o limpieza de ciertas piezas o componentes del Producto, la garantía sólo será válida cuando se haya seguido dicho calendario correctamente.

3LIMITACIONES

3.1 La presente garantía únicamente será de aplicación en aquellas ventas realizadas a consumidores, entendiéndose por “consumidor”, aquella persona que adquiere el Producto con fines que no entran en el ámbito de su actividad profesional.

3.2 No se otorga ninguna garantía respecto del normal desgaste por uso del producto. En relación con las piezas, componentes y/o materiales fungibles o consumibles como pilas, bombillas etc., se estará a lo dispuesto en la documentación que acompañe al Producto, en su caso.

3.3 La garantía no cubre aquellos casos en que el Producto: (I) haya sido objeto de un trato incorrecto; (II) haya sido reparado, mantenido o manipulado por persona no autorizada o (III) haya sido reparado o mantenido con piezas no originales.

Cuando la falta de conformidad del Producto sea consecuencia de una incorrecta instalación o puesta en marcha, la presente garantía sólo responderá cuando dicha instalación o puesta en marcha esté incluida en el contrato de compra-venta del Producto y haya sido realizada por el vendedor o bajo su responsabilidad.

FR - CERTIFICAT DE GARANTIE 1

ASPECTS GÉNÉRAUX

4.6 Conformément à ces dispositions, le vendeur garantit que le produit correspondant à cette garantie (“le Produit”) ne présente aucun défaut de conformité à la date de sa livraison.

4.7 La Période de Garantie pour le Produit est de deux (2) ans et elle sera calculée à partir du moment de sa remise à l’acheteur.

4.8 S’il se produisait un défaut de conformité du Produit et si l’acheteur le notifiât au vendeur pendant la Période de Garantie, le vendeur devrait réparer ou remplacer le Produit à ses propres frais à l’endroit qu’il jugerait opportun, à moins que cela soit impossible ou disproportionné.

4.9 Lorsque le Produit ne pourra être ni réparé ni remplacé, l’acheteur pourra demander une réduction proportionnelle du prix ou, si le défaut de conformité est suffisamment important, la résolution du contrat de vente.

4.10 Les parties remplacées ou réparées en vertu de cette garantie n’élargiront pas le délai de la garantie du Produit original, celles-ci étant cependant couvertes par leur propre garantie.

4.11 Pour l’effectivité de la présente garantie, l’acheteur devra justifier la date d’acquisition et de remise du Produit.

4.12 Quand plus de six mois se seront écoulés depuis la remise du Produit à l’acheteur et que ce dernier alléguera un défaut de conformité de ce Produit, l’acheteur devra justifier l’origine et l’existence du défaut allégué.

4.13 Le présent Certificat de Garantie ne limite pas, ni préjuge les droits correspondant aux consommateurs en vertu des normes nationales de nature impérative.

2CONDITIONS PARTICULIÈRES

- La présente garantie couvre les produits auxquels ce manuel fait référence.
- Le présent Certificat de Garantie ne sera applicable que dans les pays de l’Union européenne.
- En vue de l’efficacité de cette garantie, l’acheteur devra suivre strictement les indications du Fabricant comprises dans la documentation qui est jointe au Produit, quand celle-ci sera applicable selon la gamme et le modèle du Produit.
- Quand un calendrier sera spécifié pour le remplacement, la maintenance ou le nettoyage de certaines pièces ou de certains composants du Produit, la garantie sera valable uniquement lorsque ledit calendrier aura été suivi correctement.

3LIMITATIONS

- La présente garantie ne sera applicable que dans les ventes réalisées aux consommateurs, considérant comme “consommateur”, toute personne qui achète le Produit à des fins qui n’entrent pas dans le cadre de son activité professionnelle.
- Aucune garantie n’est concédée quant à l’usure normale due à l’utilisation du produit. En ce qui concerne les pièces, composants et/ou matériels fungibles ou consommables comme les piles, les ampoules, etc., il faudra respecter, le cas échéant, ce qui est stipulé dans la documentation qui est jointe au Produit.
- La garantie ne couvre pas les cas où le Produit : (I) a fait l’objet d’un traitement incorrect ; (II) a été réparé, entretenu ou manipulé par une personne non autorisée ou (III) a été réparé ou entretenu avec des pièces n’étant pas d’origine. Quand le défaut de conformité du Produit sera la conséquence d’une installation ou d’une mise en marche incorrectes, la présente garantie répondra uniquement lorsque ladite installation ou ladite mise en marche sera incluse dans le contrat d’achat et de vente du Produit et aura été réalisée par le vendeur ou sous sa responsabilité.

DE - GARANTIEZERTIFIKAT

1 ALLGEMEINEGESICHTSPUNKTE

- 1.1 In Übereinstimmung mit diesen Verfügungen garantiert der Verkäufer, dass das Produkt dieser Garantie ("das Produkt") entspricht und dass es im Moment der Übergabe in allen Punkten mit den Anforderungen übereinstimmt.
- 1.2 Der Garantiezeitraum für das Produkt beträgt zwei (2) Jahre und wird ab dem Augenblick der Lieferung an den Käufer gerechnet.
- 1.3 Falls ein Mangel am Produkt auftritt und der Käufer den Verkäufer innerhalb des Garantiezeitraums darüber unterrichtet, muss der Verkäufer das Produkt auf eigene Kosten dort reparieren oder ersetzen, wo es für ihn am günstigsten ist, es sei denn, dies ist unmöglich oder unverhältnismäßig.
- 1.4 Wenn das Produkt weder repariert noch ersetzt werden kann, kann der Käufer einen angemessenen Preisnachlass beantragen, oder, falls es sich um einen größeren Mangel handelt, die Auflösung des Kaufvertrages.
- 1.5 Die Teile, die aufgrund dieser Garantie ersetzt oder repariert werden, verlängern den Garantiezeitraum für das Originalprodukt nicht. Jedoch existiert für diese Teile eine eigene Garantie.
- 1.6 Um die vorliegende Garantie wirksam werden zu lassen, muss der Käufer das Kaufdatum und das Lieferdatum des Produktes belegen.
- 1.7 Nach Ablauf von sechs Monaten ab Lieferung des Produktes an den Käufer muss, im Falle eines Mangels, der Käufer den Ursprung und das Vorhandensein des angegebenen Mangels belegen.
- 1.8 Das vorliegende Garantiezertifikat schränkt die Rechte, die der Verbraucher aufgrund der herrschenden, nationalen Gesetzgebung hat, nicht ein.

2 SONDERBEDINGUNGEN

- 2.1 Die vorliegende Garantie gilt für die Produkte, auf die sich dieses Handbuch bezieht.
- 2.2 Das vorliegende Garantiezertifikat ist nur in den Ländern der Europäischen Gemeinschaft anwendbar.
- 2.3 Diese Garantie gilt nur, wenn der Käufer alle Anweisungen des Herstellers, die in der produktbegleitenden Dokumentation enthalten sind und für die jeweilige Produktlinie und Modell anwendbar ist, streng einhält.
- 2.4 Wenn ein Zeitplan für den Austausch von Teilen, die Instandhaltung und Reinigung bestimmter Teile oder Produktkomponenten aufgestellt wurde, gilt die Garantie nur dann, wenn dieser Zeitplan korrekt eingehalten wurde.

3 EINSCHRÄNKUNGEN

- 3.1 Die vorliegende Garantie ist nur auf Verkäufe an Verbraucher anwendbar. "Verbraucher" sind alle Personen, die dieses Produkt zu privaten Zwecken erwerben.
- 3.2 Es wird keine Garantie für die normale Abnutzung durch den Gebrauch des Produktes gewährt. Informationen über Teile, Komponenten und/oder verschleißbare Materialien oder Verbrauchsgüter oder Batterien, Glühlampen etc. finden Sie in der Dokumentation, die das jeweilige Produkt begleitet.
- 3.3 In folgenden Fällen gilt die Garantie nicht: (I) Das Produkt wurde nicht korrekt benutzt; (II) das Produkt wurde von nicht autorisierten Personen repariert, instandgehalten oder bedient oder (III) das Produkt wurde mit nicht originalen Ersatzteilen repariert oder instandgehalten. Wenn der Mangel auf eine falsche Installation oder Inbetriebnahme zurückzuführen ist, gilt die vorliegende Garantie nur, wenn diese Installation oder Inbetriebnahme in den Kaufvertrag des Produktes eingeschlossen war, und von dem Verkäufer oder auf dessen Verantwortung durchgeführt wurde.

IT - CERTIFICATO DI GARANZIA 1

ASPETTI GENERALI

- Ai sensi delle seguenti disposizioni, il venditore garantisce che il prodotto corrispondente a questa garanzia ("il Prodotto") non presenta alcun difetto di conformità al momento della sua consegna.
- Il Periodo di Garanzia per il Prodotto è di due (2) anni a decorrere dal momento della consegna dello stesso all'acquirente.
- Nel caso in cui si venisse a produrre un difetto di conformità del Prodotto e l'acquirente lo notificasse al venditore entro il Periodo di Garanzia, il venditore dovrà riparare o sostituire il Prodotto a sue spese nel luogo che consideri opportuno, salvo che ciò risulti impossibile o sproporzionato.
- Qualora non fosse possibile riparare o sostituire il Prodotto, l'acquirente potrà richiedere una riduzione proporzionale del prezzo o, nel caso in cui il difetto di conformità fosse sufficientemente importante, lo scioglimento del contratto di vendita.
- Le parti sostituite o riparate in virtù della presente garanzia non rappresenteranno un prolungamento della scadenza della garanzia del Prodotto originale, quantunque disporranno di una loro propria garanzia.
- Affinché la presente possa essere valida, l'acquirente dovrà attestare la data di acquisto e consegna del Prodotto.
- Una volta trascorsi più di sei mesi dalla consegna del Prodotto all'acquirente, qualora quest'ultimo dichiarerà un difetto di conformità del medesimo, l'acquirente dovrà attestare l'origine e l'esistenza del difetto dichiarato.
- Il presente Certificato di Garanzia non limita o preclude i diritti che corrispondano ai consumatori in virtù delle norme nazionali di carattere imperativo.

2CONDIZIONI PARTICOLARI

- 2.1 La presente garanzia copre i prodotti al quali si riferisce questo manuale.
- 2.2 Il presente Certificato di Garanzia avrà vigore unicamente nell'ambito dei paesi dell'Unione Europea.
- 2.3 Per la validità di questa garanzia, l'acquirente dovrà rispettare in maniera rigorosa le indicazioni del Fabbricante indicate nella documentazione che viene allegata al Prodotto, quando questa risulti applicabile secondo la gamma e il modello del Prodotto.
- 2.4 Nel caso in cui venga specificato un calendario per la sostituzione, la manutenzione o la pulizia di determinati pezzi o componenti del Prodotto, la garanzia sarà valida solo quando qualora detto calendario sia stato rispettato in maniera corretta.

3LIMITAZIONI

- La presente garanzia sarà valida unicamente per le vendite realizzate a consumatori, laddove per "consumatori" s'intende quella persona che acquista il Prodotto con scopi che non rientrano nell'ambito della sua attività professionale.
- No viene concessa alcuna garanzia nei riguardi del normale consumo per uso del prodotto. In merito ai pezzi, ai componenti e/o ai materiali fusibili o consumabili come pile, lampadine, ecc., ove sussista si applicherà quanto disposto nella documentazione che è allegata al Prodotto.
- La garanzia non copre i casi in cui il Prodotto: (I) sia stato oggetto di un uso non corretto; (II) sia stato riparato, manipolato o la manutenzione sia stata effettuata da una persona non autorizzata o (III) sia stato riparato o la manutenzione sia stata effettuata con pezzi non originali. Qualora il difetto di conformità del Prodotto sia conseguenza di una installazione o messa in marcia non corretta, la presente garanzia risponderà solo nel caso in cui la suddetta installazione o messa in marcia sia compresa nel contratto di compravendita del Prodotto e sia stata realizzata dal venditore o sotto la sua responsabilità.

NL - GARANTIECERTIFIKAAT 1

ALGEMENE ASPEKTEN

- In overeenkomst met de voorliggende bepalingen wordt door de verkoper gegarandeerd dat het produkt verkocht onder deze garantie ("het Produkt") geen enkel defect vertoont op het moment van levering.
- De Garantieperiode voor het Produkt bedraagt twee (2) jaar en is geldig vanaf het moment dat het Produkt aan de koper geleverd wordt.
- Indien er zich een defect aan het Produkt zou voordoen en de koper dit zou mededelen aan de verkoper gedurende de geldige Garantieperiode, dan zal de verkoper het Produkt repareren of laten repareren op zijn eigen kosten alwaar de verkoper dit geschikt zou achten, behalve in het geval dat dit onmogelijk of buitensporig zou zijn. 1.4 Indien het Produkt niet gerepareerd of vervangen kan worden, dan kan de koper na verhouding prijsreductie aanvragen, of, indien het defect belangrijk genoeg is, de ontbinding van het verkoopcontract aanvragen.
- Die delen van het Produkt die onder deze Garantie vervangen of gerepareerd zijn, kunnen de duur van de Garantieperiode voor het oorspronkelijke Produkt niet verlengen, maar zullen beschikken over een eigen garantie.
- Voor de toepassing van deze garantie moet de koper de aankoopdatum en de levering van het Produkt kunnen aantonen.
- Indien er meer dan zes maanden verlopen zijn sinds de levering van het Produkt aan de koper, en deze plotseling aangeeft dat het Produkt niet aan de eisen voldoet, dan zal de koper de oorsprong en het bestaan van de volgens hem bestaande defecten moeten kunnen aantonen.
- Dit Garantiecertificaat beperkt of veroordeelt niet bij voorbaat de rechten die de gebruikers hebben en die gebaseerd zijn op nationale normen.

2BIJZONDERE VOORWAARDEN

- Deze garantie dekt de produkten waarnaar deze handleiding verwijst.
- Het huidige Garantiecertificaat is slechts van toepassing in landen van de Europese Unie.
- Voor de toepassing van deze garantie en in geval deze garantie van toepassing is al naar gelang de serie en het model van het Produkt, moet de koper de aanwijzingen van de Fabrikant in de documenten die bij het Produkt bijgesloten zijn, strikt opvolgen.
- Indien er een tijdsperiode vastgesteld wordt voor de vervanging, het onderhoud of het reinigen van verschillende delen of onderdelen van het Produkt, dan is de garantie alleen geldig in geval deze tijdsperiode strikt aangehouden is.

3BEPERKINGEN

- De huidige garantie is uitsluitend geldig bij verkoop aan gebruikers, waarbij onder "gebruiker" verstaan wordt een persoon die het Produkt aanschafft met een doel dat niet binnen het gebied van zijn professionele activiteiten valt.
- Er bestaat geen garantie in verband met normale slijtage bij gebruik van het Produkt. Wat betreft de delen, componenten en/of vervangbare of verbruiksmaterialen zoals batterijen, gloeilampen, enz. zal men zich moeten richten naar hetgeen in de documenten staat die het Produkt vergezellen.

- De garantia dekt niet de gevallen waarbij het Produkt (i) onderhevig is geweest aan ongepast gebruik, (ii) gerepareerd, onderhouden of gemanipuleerd is door een persoon die daarvoor geen toestemming heeft, of (iii) gerepareerd of onderhouden is met niet oorspronkelijke onderdelen. Indien het defect van het Produkt het gevolg is van een incorrecte installering of ingebruikneming, dan is deze garantie slechts van toepassing indien de installering of ingebruikneming in kwestie in het contract van koop en verkoop van het produkt opgenomen is en door de verkoper of onder diens verantwoording uitgevoerd is.

**PT - CERTIFICADO DE
GARANTIA 1
CONDIÇÕES GERAIS**

- De acordo com estas disposições, o vendedor garante que, no momento da entrega, o produto correspondente a esta garantia (“o Produto”) não apresenta nenhum tipo de falta de conformidade.
- O Período de Garantia para o Produto é de dois (2) anos, contados a partir da data de entrega ao comprador. 1.3Se, durante o período de garantia, o comprador notificar ao vendedor alguma falta de conformidade do Produto, o vendedor deverá reparar ou substituir o Produto por sua conta no lugar onde considerar conveniente, salvo que isso seja impossível ou desmesurado.
- Quando não for possível reparar ou substituir o Produto, o comprador poderá solicitar uma redução proporcional do preço ou, se a falta de conformidade for o suficientemente grave, a rescisão do contrato de venda.
- As partes substituídas ou reparadas em virtude desta garantia não ampliarão o período de garantia do Produto original, mas disporão da sua própria garantia.
- Para que a presente garantia tenha efeito, o comprador deverá apresentar o comprovante da data de compra e de entrega do Produto.
- Se o comprador alegar uma falta de conformidade do Produto, passados mais de seis meses da data de entrega do mesmo, deverá demonstrar a origem e a existência do defeito alegado.
- O presente Certificado de Garantia não limita nem afecta os direitos dos consumidores derivados das normas nacionais de carácter imperativo.

2CONDIÇÕES PARTICULARES

- A presente garantia cobre os produtos descritos neste manual.
- O presente Certificado de Garantia só será válido nos países da União Europeia.
- Para a eficácia desta garantia, o comprador deverá seguir rigorosamente as indicações do Fabricante contidas na documentação fornecida com o Produto, quando a mesma for aplicável em função da gama e do modelo do Produto.
- No caso de se estabelecer um calendário para a substituição, manutenção ou limpeza de determinadas peças ou componentes do Produto, a garantia só será válida se o citado calendário tiver sido cumprido rigorosamente.

3LIMITAÇÕES

- A presente garantia só será válida para as vendas realizadas a consumidores, entendendo-se por “consumidor” a pessoa que comprar o Produto com fins não abrangidos no âmbito da sua actividade profissional.
- A garantia não cobre o desgaste normal derivado do uso do produto. Em relação às peças, componentes e/ou materiais fungíveis ou consumíveis como pilhas, lâmpadas, etc., terá efeito o disposto na documentação fornecida com o Produto, em cada caso.
- Esta garantia não abrange as seguintes situações: (I) Se o Produto tiver sido objecto de um uso incorrecto; (II) tiver sido reparado, sofrido manutenção ou manipulado por pessoas não autorizadas ou (III) tiver sido reparado ou as suas peças substituídas por peças não originais. Quando a falta de conformidade do Produto for consequência de uma instalação ou colocação em funcionamento incorrecta, a presente garantia só será válida se a referida instalação ou colocação em funcionamento estiver incluída no contrato de compra-venda do Produto e tiver sido realizada pelo vendedor ou sob sua responsabilidade.

PL - CERTYFIKAT GWARANCJI

1 WARUNKI OGÓLNE

- Zgodnie z tymi postanowieniami sprzedawca gwarantuje, że produkt odpowiadający tej gwarancji ("Produkt") jest w idealnym stanie w momencie dostawy.
- Okres gwarancji na produkt wynosi dwa (2) lata od momentu dostarczenia go nabywcy.
- W przypadku jakiegokolwiek wady Produktu, o której Kupujący poinformował sprzedającego w okresie Gwarancji, sprzedawca będzie zobowiązany do naprawy lub wymiany Produktu na własny koszt chyba że jest to niemożliwe lub nieuzasadnione.
- Jeżeli naprawa lub wymiana Produktu nie jest możliwa, kupujący może zażądać proporcjonalnego obniżenia ceny lub, jeśli wada jest wystarczająco istotna, rozwiązania umowy sprzedaży.
- Wymienione lub naprawione części objęte niniejszą gwarancją nie przedłużą okresu gwarancji oryginalnego Produktu, ale będą miały osobną gwarancję.
- Aby niniejsza gwarancja weszła w życie, nabywca musi przedstawić dowód daty zakupu i dostawy Produktu.
- Jeżeli po sześciu miesiącach od dostarczenia Produktu do nabywcy powiadomi o wadzie produktu, nabywca musi przedstawić dowód pochodzenia i istnienia rzekomej wady.
- Niniejsze świadectwo gwarancji wydawane jest bez uszczerbku dla praw odpowiadających konsumentom na mocy przepisów krajowych.

2 WARUNKI INDYWIDUALNE

- 2.1 Niniejsza gwarancja obejmuje produkty, o których mowa w niniejszej instrukcji.
- 2.2 Niniejszy Certyfikat Gwarancji będzie obowiązywać wyłącznie w krajach Unii Europejskiej.
- 2.3 Aby ta gwarancja była skuteczna, nabywca musi ściśle przestrzegać instrukcji producenta zawartych w dokumentacji dostarczonej z Produktem, w przypadkach, w których ma zastosowanie zgodnie z zakresem i modelem Produktu.
- 2.4 W przypadku określenia harmonogramu wymiany, konserwacji lub czyszczenia niektórych części lub komponentów produktu gwarancja zostanie udzielona tylko, jeśli ten harmonogram został dotrzymany.

3 OGRANICZENIA

- 3.1 Niniejsza gwarancja będzie miała zastosowanie wyłącznie do sprzedaży dokonywanej na rzecz konsumentów, rozumiana przez "konsumenta", osobę, która kupuje Produkt do celów nie związanych z jego działalnością zawodową.
- 3.2 Normalne zużycie wynikające z użytkowania produktu nie jest gwarantowane. W odniesieniu do zużytych lub zużywalnych części, komponentów i / lub materiałów, takie jak baterie, żarówki itp. będą miały zastosowanie postanowienia zawarte w dokumentacji dostarczonej z produktem.
- 3.3 Gwarancja nie obejmuje przypadków, gdy Produkt; (I) został nieprawidłowo użytkowany; (II) został naprawiony, serwisowany lub obsługiwany przez osobnieuprawnione osoby lub (III) zostały naprawione lub serwisowane bez użycia oryginalnych części. W przypadkach, gdy wada Produktu jest wynikiem nieprawidłowej instalacji lub rozruchu, ta gwarancja będzie miała zastosowanie tylko wtedy, gdy wspomniana instalacja lub uruchomienie zostanie zawarte w umowie sprzedaży produktu i została przeprowadzona przez producenta lub na jego odpowiedzialność.

If You Have Any Problem, Contact Us!		www.grepool.com/en/after-sales
Si Tienes Algun Problema, ¡Consultenos!	España	www.grepool.com/post-venta
En Cas De Probleme, Nous Consulter!	France/ Belgie	www.grepool.com/fr/apres-vente
Sollten Sie Probleme Haben, Zögern Sie Bitte Nicht, Uns Zu Kontaktieren!	Deutschland	www.grepool.com/de/kundenservice
Per Ogni Vostra Eventuale Occorrenza, Interpellateci!	Italia	www.grepool.com/it/post-vendita
Em Caso De Problema, ¡Consultar-Nos!	Portugal	www.grepool.com/post-venta
Mocht U Een Probleem Hebben,...!Raadpleeg Ons!	Nederlands	+31 513 62 66 66 service@aquafun.info
W razie problemów, skontaktuj się z nami	Poland	www.grepool.com/en/after-sales

DISTRIBUTED BY / DISTRIBUIDO POR /
 DISTRIBUÉ PAR / VERTRIEB DURCH /
 DISTRIBUITO DA / GEDISTRIBUEERD DOOR /
 DISTRIBUÍDO POR / WYPRODUKOWANY PRZEZ:
MANUFACTURAS GRE, S.A.
ARITZ BIDEA Nº 57 BELAKO INDUSTRIALDEA, APARTADO 69
48100 MUNGUIA (VIZCAYA) ESPAÑA
Nº Reg. Ind. 48-06762

- We reserve the right to change all or part of the articles or contents of this document, without prior notice
- Nos reservamos el derecho de cambiar total o parcialmente las características de nuestros artículos o el contenido de este documento sin previo aviso
- Nous nous réservons le droit de modifier totalement ou en partie les caractéristiques de nos articles ou le contenu de ce document sans préavis
- Wir behalten uns das Recht vor, die technischen Daten unserer Artikel oder den Inhalt dieses Dokumentes ohne vorherigen Hinweis ganz oder teilweise zu ändern
- Ci riserviamo il diritto di cambiare totalmente o parzialmente le caratteristiche tecniche dei nostri prodotti ed il contenuto di questo documento senza nessun preavviso
- Wij behouden ons het recht voor geheel of gedeeltelijk de kenmerken van onze artikelen of de inhoud van deze handleiding zonder voorafgaand bericht te wijzigen
- Reservamo-nos o direito de alterar, total ou parcialmente, as características dos nossos artigos ou o conteúdo deste documento sem aviso prévio.
- Zastrzegamy sobie prawo do zmiany w całości lub części niniejszej instrukcji bez uprzedniej informacji