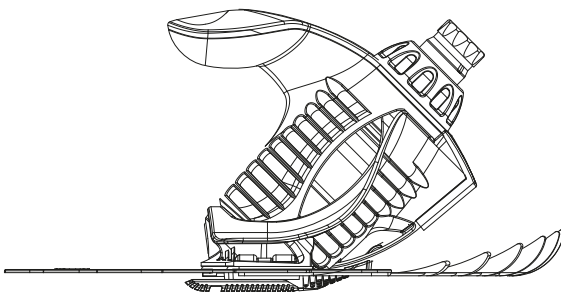
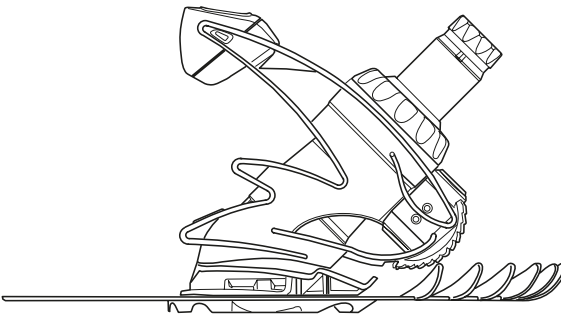
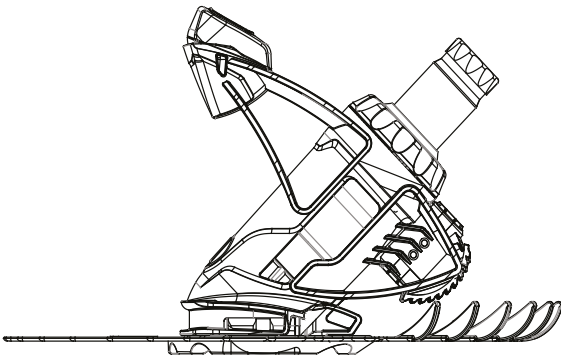


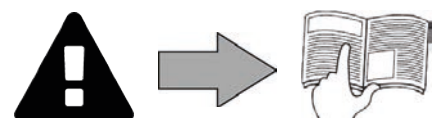
**T3/R3/B3/T5**  
duo

**Instructions for installation and use - English**  
Hydraulic cleaner  
Translation of the original instructions in french

**EN**



More documents on:  
[www.zodiac.com](http://www.zodiac.com)





## WARNINGS

### GENERAL WARNINGS

- Failure to respect the warnings may cause serious damage to the pool equipment or cause serious injury, even death.
- Only a person qualified in the technical fields concerned (electricity, hydraulics or refrigeration) is authorised to perform any servicing or repairs to the appliance. The qualified technician working on the appliance must use/wear personal protective equipment (such as safety goggles and protective gloves, etc.) in order to reduce the risk of injury occurring when working on the appliance.
- Before handling the appliance, check that it is switched off and isolated from the power supply.
- The appliance is intended to be used for pools and spas for a specific purpose; it must not be used for any purpose other than that for which it was designed.
- This appliance is not intended for use by persons (including children) having a physical, sensory or mental disability, or by persons lacking experience or knowledge of the appliance, unless they are first instructed or are supervised during the use of the appliance by a person responsible for their safety.
- Keep the appliance out of the reach of children.
- The appliance must be installed according to the manufacturer's instructions and in compliance with local and national standards. The installer is responsible for installing the appliance and for compliance with national installation regulations. Under no circumstances may the manufacturer be held liable in the event of failure to comply with applicable local installation standards.
- For any work other than the simple user maintenance described in this manual, the product should be referred to a qualified professional.
- Incorrect installation and/or use may cause serious damage to property or serious injuries (possibly causing death).
- All equipment, even postage and packing paid, travels at the risks and perils of the recipient. The latter shall issue reserves in writing on the carrier's delivery slip if damage is detected, caused during transport (confirmation to be sent to the carrier within 48 hours by registered letter). In the event that an appliance containing coolant has been turned on its side, mention your reservations in writing to the carrier.
- If the appliance suffers a malfunction, do not try to repair it yourself; instead contact a qualified technician.
- Refer to the warranty conditions for details of the permitted water balance values for operating the appliance.
- Deactivating, eliminating or by-passing any of the safety mechanisms integrated into the appliance shall automatically void the warranty, in addition to the use of spare parts manufactured by unauthorised third-party manufacturers.
- Do not spray insecticide or any other chemical (inflammable or non-inflammable) in the direction of the appliance, as this may damage the body and cause a fire.
- Zodiac® heat pump, filter pump and filter appliances are compatible with the most commonly used types of pool water treatment systems.
- Do not touch the fan or moving parts and do not place objects or your fingers in the vicinity of the moving parts when the appliance is in operation. Moving parts can cause serious injury or even death.

### SPECIFIC FEATURES APPLICABLE TO "Pool cleaners"

- The cleaner must operate in pool water at a temperature of between 15°C and 35°C.
- To avoid possible injury or damage to the cleaner, do not operate the cleaner out of the water.
- In order to prevent possible injury, bathing is prohibited when your cleaner is in the pool.
- Do not use the cleaner during shock chlorination.
- Do not leave the cleaner unattended for an extended period.

### WARNING ON THE USE OF A CLEANER IN A POOL WITH A VINYL SURFACE:

- Before installing your new cleaner, carefully inspect the lining of your pool. If the liner has eroded in some areas, or if you notice gravel, folds, roots or corrosion caused by metal beneath the liner, or if you notice that the surface (bottom and walls) is damaged, do not install the cleaner before performing the necessary repairs or before having the liner replaced by a qualified professional. The manufacturer may not be held liable in any way for damage caused to the liner.
- The surface of certain vinyl patterned surfaces can wear rapidly and the patterns disappear on contact from objects such as cleaning brushes, toys, inflatable buoys, chlorine distributors and automatic pool cleaners. The decoration on some vinyl surfaces can be scratched or worn by basic friction such as through the use of a pool brush. The colours of certain patterns can also be erased during use or when in contact with objects in the pool. The manufacturer may not be held liable for the erased patterns, wear or scratching of vinyl surfaces, which are not covered by the limited warranty.

EN

### Recycling



This symbol means that your appliance must not be thrown into a normal bin. It will be selectively collected for the purpose of reuse, recycling or transformation. If it contains any substances that may be harmful to the environment, these will be eliminated or neutralised. Contact your retailer for recycling information.



- Before handling the appliance, it is essential that you read this installation and user manual, as well as the "warnings and warranty" booklet delivered with the appliance. Failure to do so may result in material damage or serious or fatal injury and will void the warranty.
- Keep these instructions for future reference for operation and maintenance works.
- The distribution or modification of this document in any way is prohibited, without prior authorisation from Zodiac®.
- Zodiac® is constantly developing its products to improve their quality. The information contained herein may therefore be modified without notice.

## CONTENTS



### 1 SPECIFICATIONS

3

1.1 | Description

3

1.2 | Technical specifications and parts list

4



### 2 INSTALLATION

5

2.1 | Set-up

5

2.2 | Assembling the hose sections

5

2.3 | Installing the wheel deflector and quick connector (depending on the model)

6

2.4 | Hydraulic connections

7



### 3 USE

10

3.1 | Operating principle

10

3.2 | Pool preparation

10

3.3 | Operation

11

3.4 | Optimising performance

11



### 4 MAINTENANCE

12

4.1 | Cleaning the filter pump's pre-filter

12

4.2 | Cleaning the Cyclonic™ Leaf Catcher (available as an optional extra)

12

4.3 | Maintaining the diaphragm

13

4.4 | Storing and winterizing

16



### 5 TROUBLESHOOTING

17

5.1 | Appliance behaviour

17



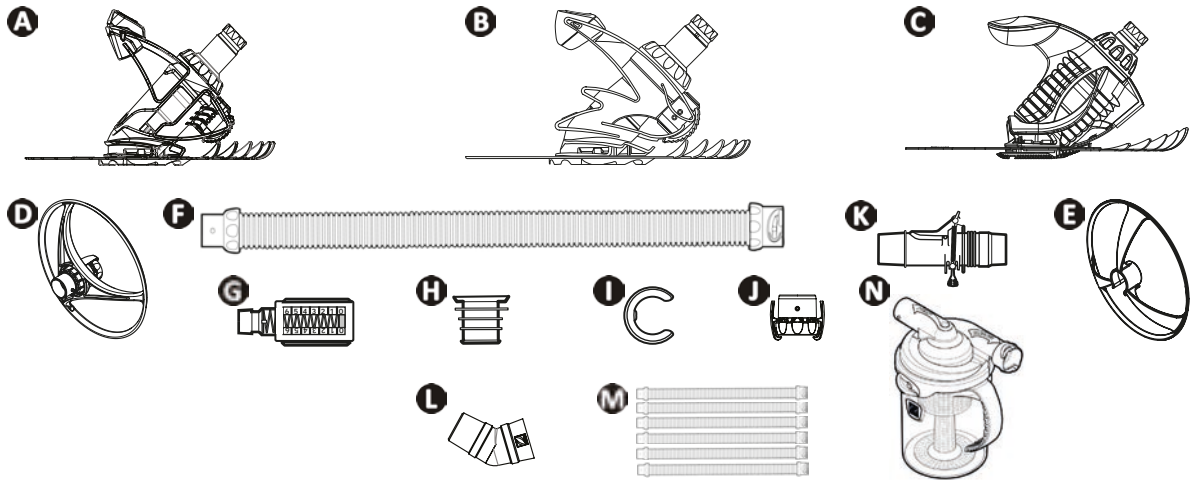
#### **Tip: to make it easier to contact your retailer**

- Write down your retailer's contact details to help you find them more easily and fill in the "product" information on the back of the manual; your retailer will ask you for this information.



# 1 Specifications

## 1.1 I Description



EN

		B3 / R3	T3	T5 Duo
A	Cleaner	✓		
B			✓	
C				✓
D	Wheel deflector with quick connector	✓	✓	
E	Wheel deflector			✓
F	Set of 1-metre Twist Lock hoses	✓ x 10	✓ x 10	✓ x 12
G	Flow switch	✓	✓	✓
H	Valve cuff	✓	✓	✓
I	Hose counterweight	✓	✓	✓
J	Quick connector			✓
K	Automatic flow regulation valve	✓	✓	✓
L	Twist Lock 45° elbow	✓	✓	✓
M	Set of 6 sections of 1-metre Twist Lock hoses	+	+	+
N	Cyclonic™ Leaf Catcher	+	+	+

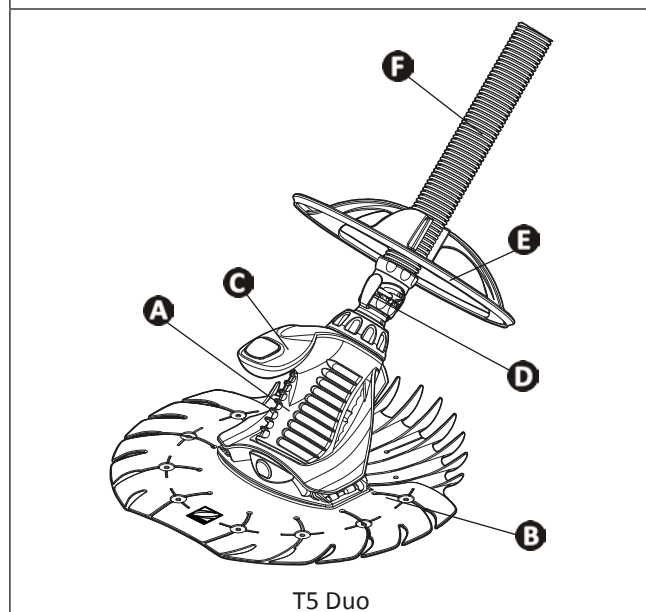
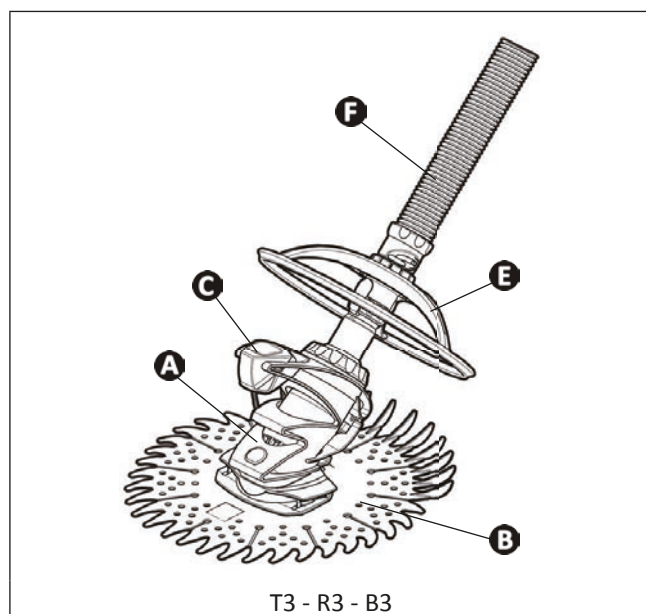
- ✓: Supplied
- +: Available as an option

## 1.2 I Technical specifications and parts list

### 1.2.1 Technical specifications

	T3 / R3 / B3	T5 Duo
Cleaner size (L x W x h)	41 x 36 x 28 cm	44 x 43 x 22 cm
Package size (L x W x H)	102.8 x 41.5 x 22.4 cm	99 x 45.5 x 29.5 cm
Cleaner weight	1.18 kg	1.4 kg
Packaged weight	6.8 kg	8.4 kg
Theoretical cleaning width	30 cm	44 cm
Filtration capacity	Pool filtration circuit	
Minimum power of the filter pump	1/2 hp	3/4 hp
Displacement rate	6.5 metres/minute	6 metres/minute
Pool shape	Rectangular, oval, circular	Rectangular, oval, circular, freeform
Surface to clean	Bottom only	Bottom and walls
Type of bottom to clean	Flat bottom, gentle slope	Flat bottom, gentle slope, varying slope

### 1.2.2 Parts list

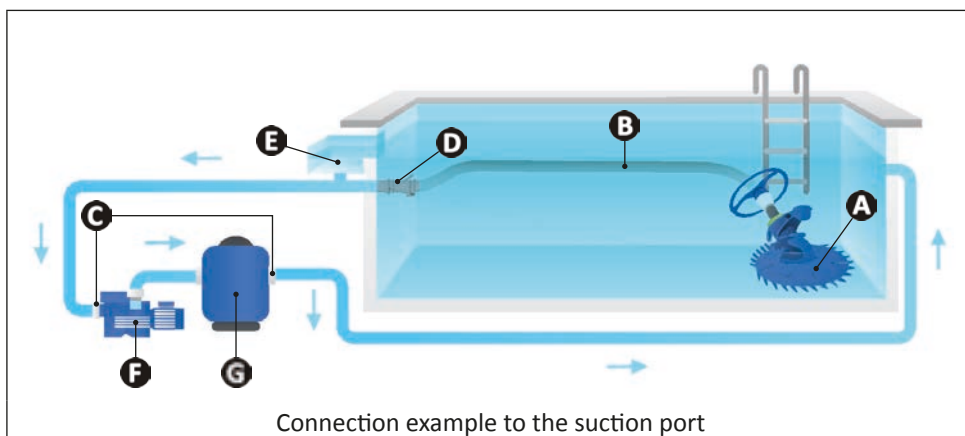


- A**: Cleaner body
- B**: Disc
- C**: Float
- D**: Quick connector
- E**: Wheel deflector (with quick connector for T3 / R3 / B3 models)
- F**: Hose section



## 2 Installation

### 2.1 I Set-up

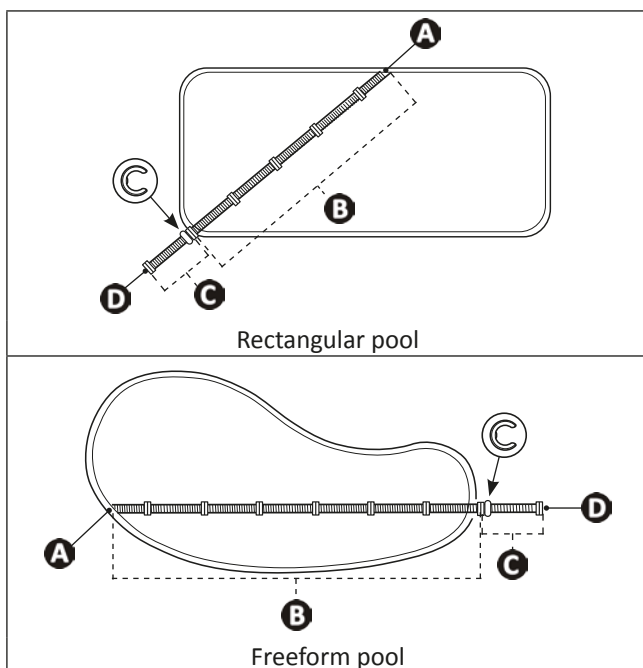


- A:** Cleaner
- B:** Hose sections
- C:** Pool valves
- D:** Suction port
- E:** Skimmer
- F:** Filter pump
- G:** Filter

Connection example to the suction port

### 2.2 I Assembling the hose sections

- Measure the length between the skimmer or suction port and the most distant point in the pool.
- Add 1 extra metre to the length measured.
- If the total length is greater than 10 metres (T3 / R3 / B3) or 12 metres (T5 Duo), contact your retailer to purchase additional hose sections.



Rectangular pool

Freeform pool

- A:** Connection to the skimmer or suction port
- B:** Required hose length
- C:** Additional 1-metre section
- D:** Connection to the cleaner

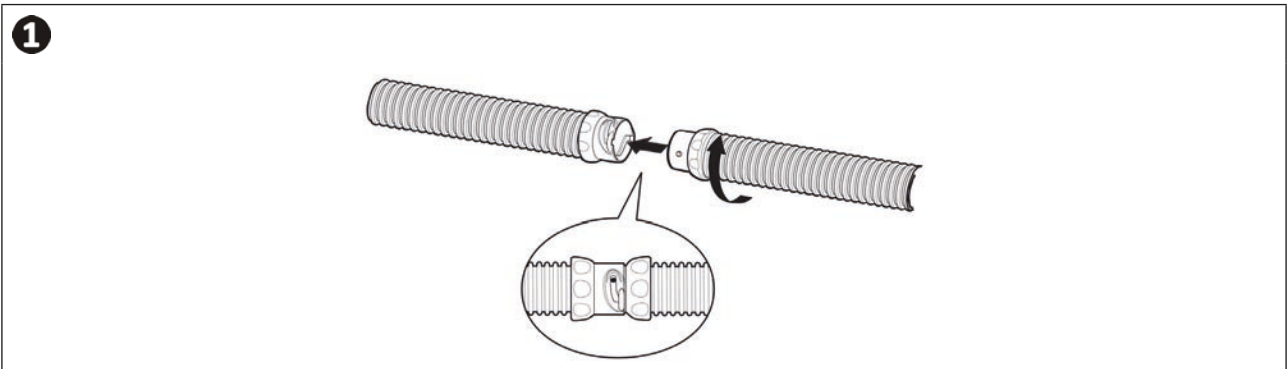


**Tip: assemble the "right" quantity of hose sections**

Assembling more hose sections than necessary to cover the entire pool is not recommended. A too long hose could reduce the cleaner's efficiency.

## 2.2.2 Assembling Twist Lock hose sections

- To easily assemble two hose sections using the Twist Lock system, lock them together and twist them as far as you can until the connectors reach maximum abutment in one of the 3 sealing notches (see image ❶).
- The hose section that holds the counterweight should be connected to the cleaner. The counterweight must be **1 metre from the cleaner**.

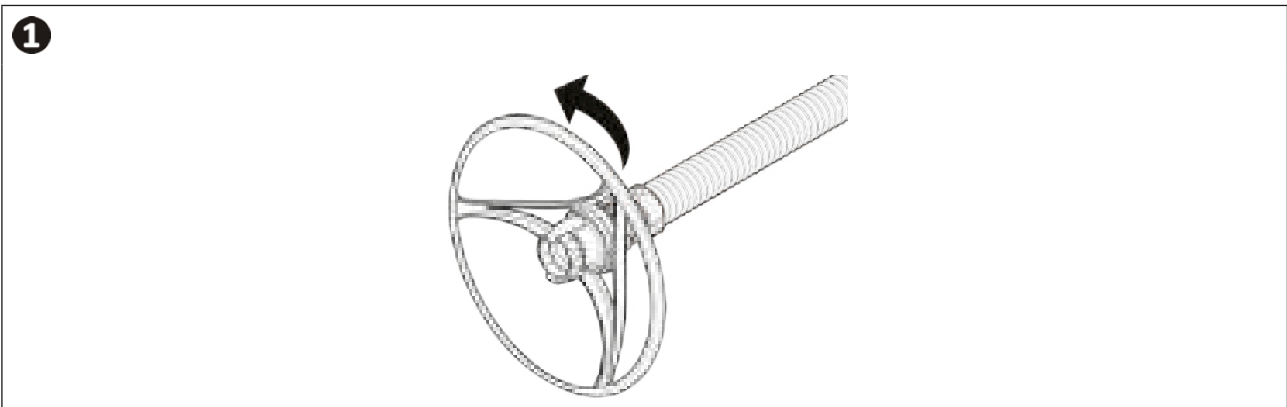


## ❷ 2.3 I Installing the wheel deflector and quick connector (depending on the model)

The wheel deflector helps the cleaner move around steps and other obstacles in the pool.

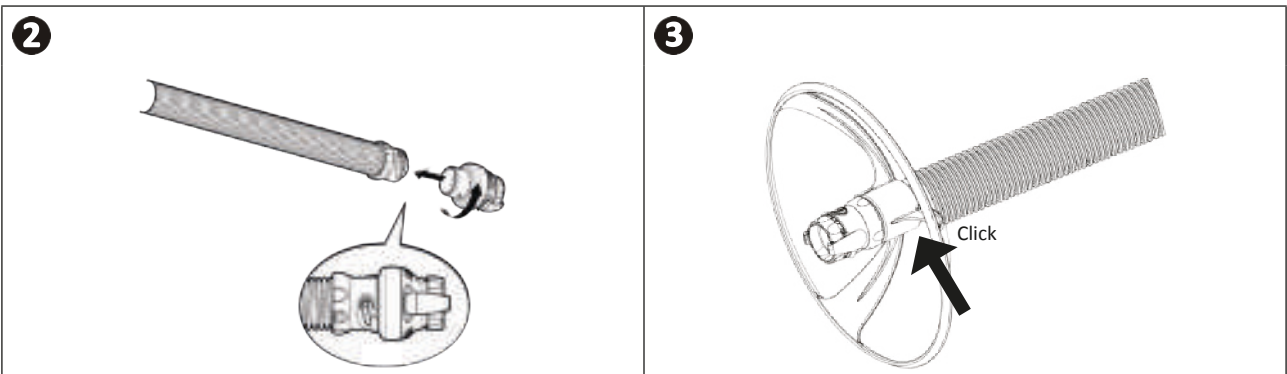
**For the T3 / R3 / B3 models**, the quick connector is integrated into the wheel deflector:

- Assemble the wheel deflector on the end of the last hose section by twisting a quarter turn to position the catch inside one of the three notches (see image ❶).



**For the T5 Duo model**, the quick connector is not integrated into the wheel deflector:

- Assemble the quick connector on the end of the hose by twisting a quarter turn to position the catch inside one of the three notches (see image ❷).
- Clip the wheel deflector onto the hose immediately after the quick connector (see image ❸).



### **Tip: installing the quick connector**

When installing the quick connector, the catch does not need to be clipped inside the last notch when first using the appliance.

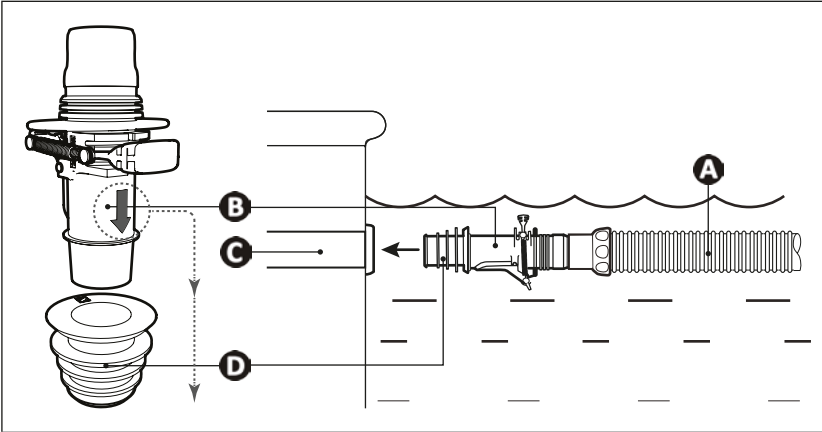


## 2.4 I Hydraulic connections



- Stop the filter pump.
- Clean the skimmer strainer, the filter pump pre-filter and the filter where necessary.

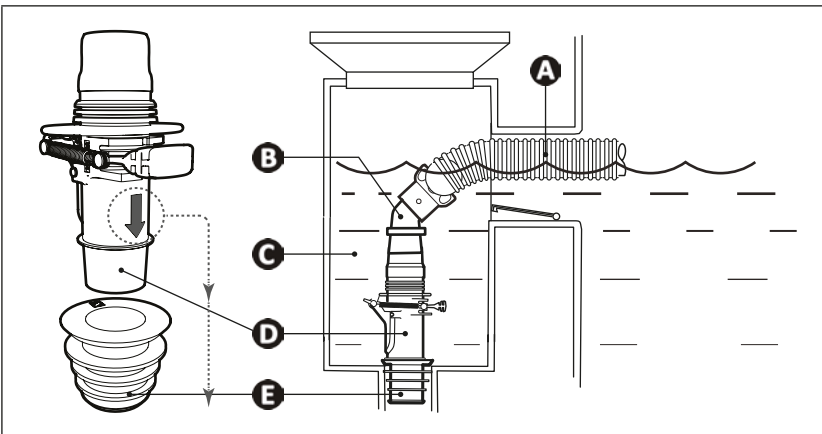
### 2.4.1 Connecting to the suction port



- A:** Hose section
- B:** Automatic flow regulation valve
- C:** Suction port
- D:** Valve cuff

EN

### 2.4.2 Connecting to the skimmer



- A:** Hose section
- B:** 45° elbow
- C:** Skimmer
- D:** Automatic flow regulation valve
- E:** Valve cuff

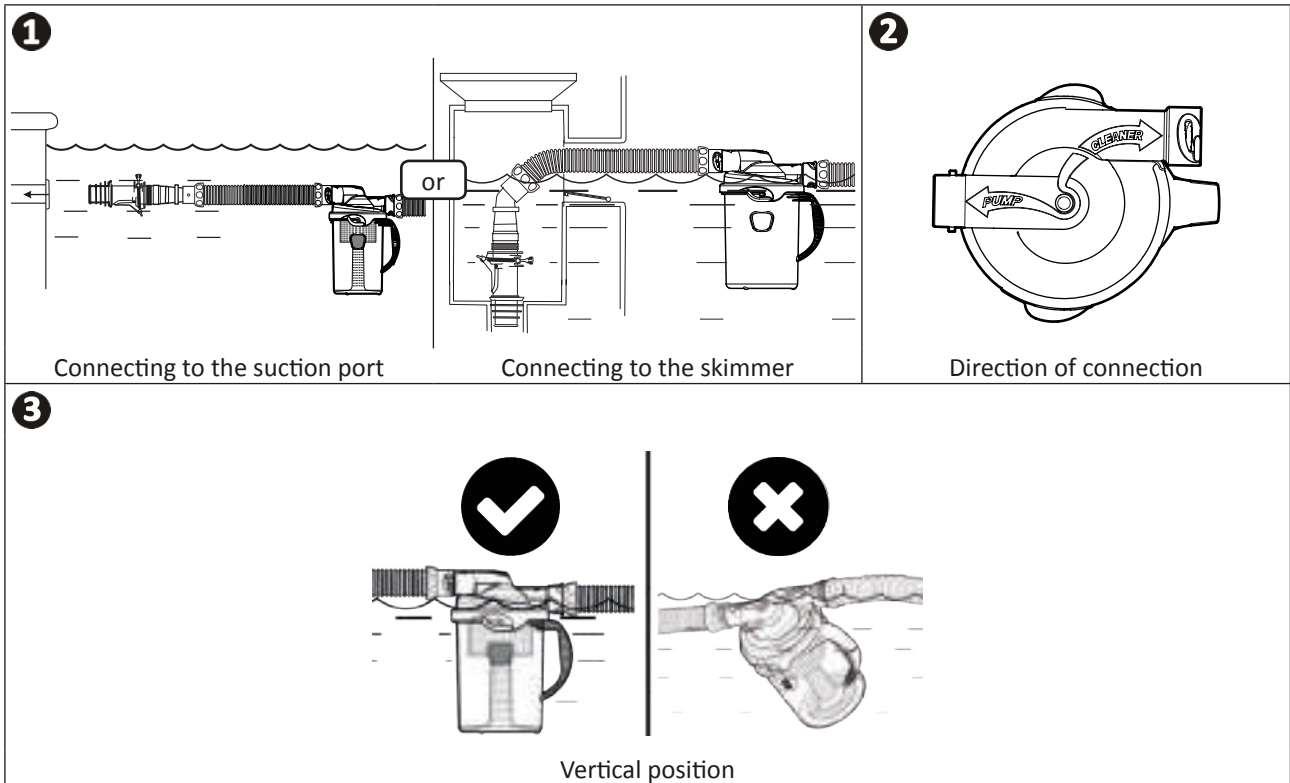


**Tip: Protect the filtration system by connecting the automatic flow regulation valve**

This valve is used to adjust the flow rate and optimise the cleaner's cleaning efficiency; it also helps to retain any debris that may have been aspirated and that could cause damage to the filtration equipment.

### 2.4.3 Connecting the Cyclonic™ Leaf Catcher (available as an optional extra)

- Connect the leaf catcher to the hose the closest to the suction line or skimmer (see image 1).
- Orient the leaf catcher as instructed: "PUMP" = filter pump side / "CLEANER" = cleaner side (see image 2).
- For optimum operation, position the leaf catcher vertically to the water's surface (see image 3).



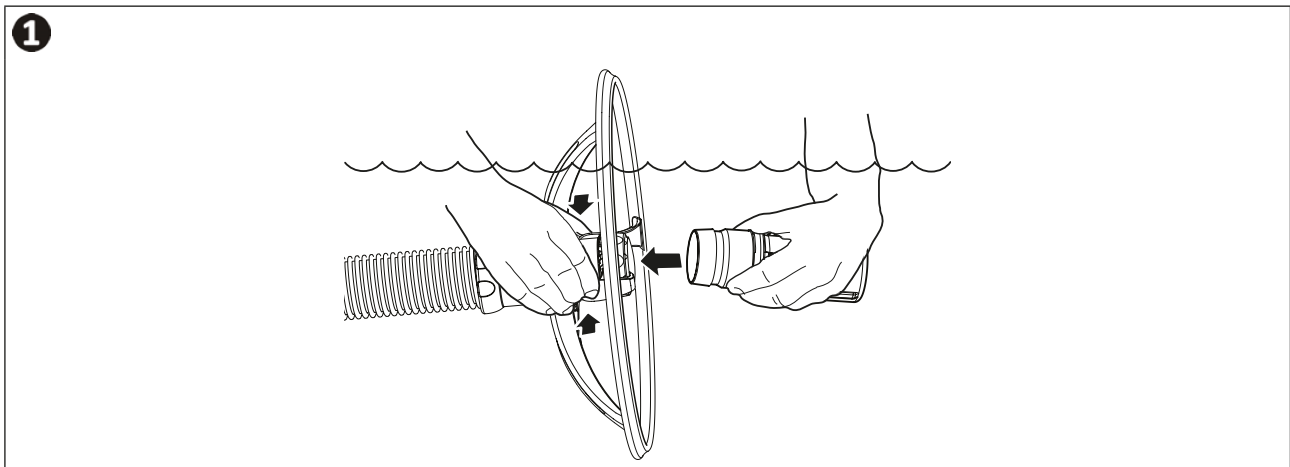
**Tip: Protect the filtration system by connecting the Cyclonic™ Leaf Catcher**

The leaf catcher is used to retain debris before it is aspirated into the filtration system, which could cause damage to the equipment in the long term. It is also used to remove debris more easily than from the pump's pre-filter, and has the advantage of being transparent for easily determining when it requires cleaning.

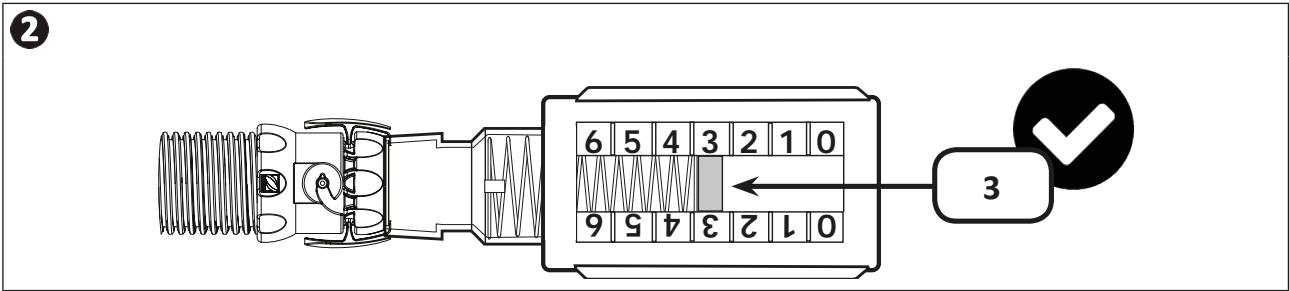
### 2.4.4 Testing and adjusting the flow rate

Before installing the cleaner, test and adjust the flow rate to determine the ideal flow rate.

To do this, hold the hose under water and clip the flow switch onto the quick connector (see image 1). Start the pump.



Check that the red indicator light on the switch (viewed from the side) is positioned to setting No. 3 (see image 2).



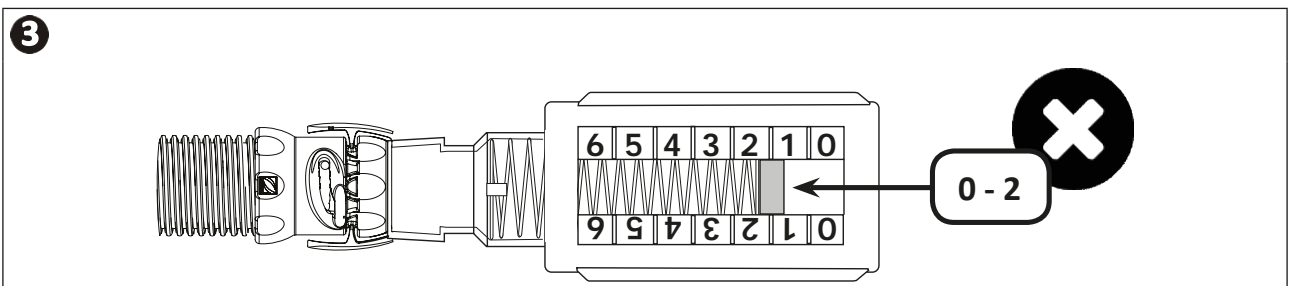
If necessary, use the pool valves to adjust the flow rate so that the indicator light is in position 3.

- When installing in a pool with a single skimmer, the flow rate is controlled by the flow regulation valve. The red indicator light must be in position 3.
- When installing in a pool with multiple skimmers, leave the valve of the skimmer connected to the hose open, then gradually close the other skimmer until the indicator light reaches position 3.
- When installing on a suction port, leave the suction line open and gradually close the skimmer line until the flow rate reaches the adjustment position 3.

EN

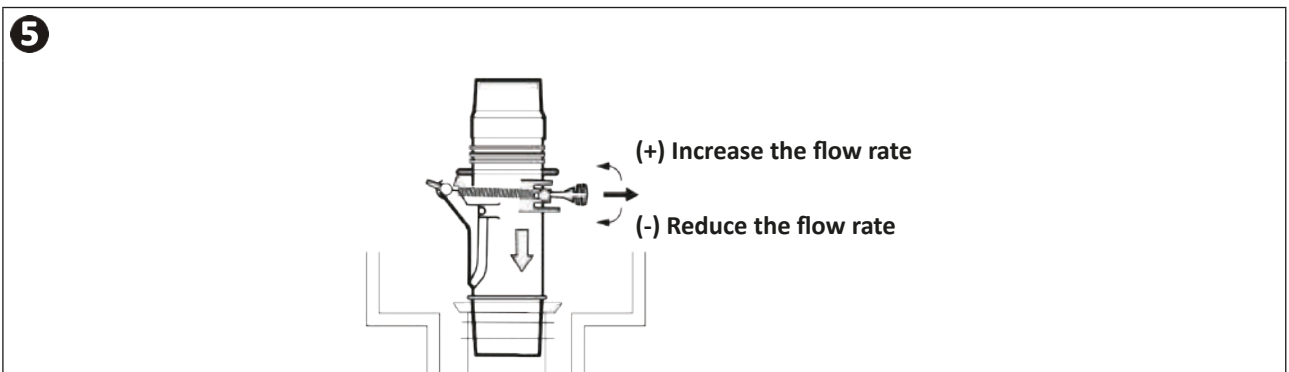
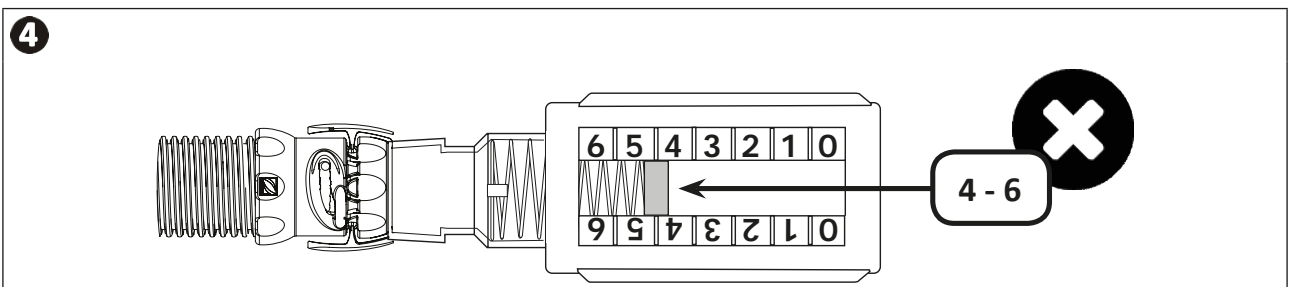
**If the flow rate is in the low zone, between 0 and 2 (see image 3):**

- Check and clean the pool filter and strainers if necessary.
- Check that the valves controlling the suction lines are correctly placed in the open position.
- Increase the flow rate on the automatic flow regulation valve (see image 5).



**If the flow rate is in the high zone, between 4 and 6 (see image 4):**

- If the appliance is connected to the suction port, gradually close the valve until the flow rate reaches position 3.
- Reduce the flow rate on the automatic flow regulation valve (see image 5).
- Slightly open the bottom plug hole to reduce the flow rate a little more.





## 3 Use

### 3.1 | Operating principle

Hydraulic cleaners are connected to the filtration system (to a suction port or skimmer). They use the energy from the filter pump to move in the pool.

The cleaner's ability to climb the sides depends on the shape of the pool and the water flow rate available.

Debris is aspirated by the cleaner and captured in the pre-filter of the filter pump or in the leaf catcher (accessory available as an optional extra).

### 3.2 | Pool preparation

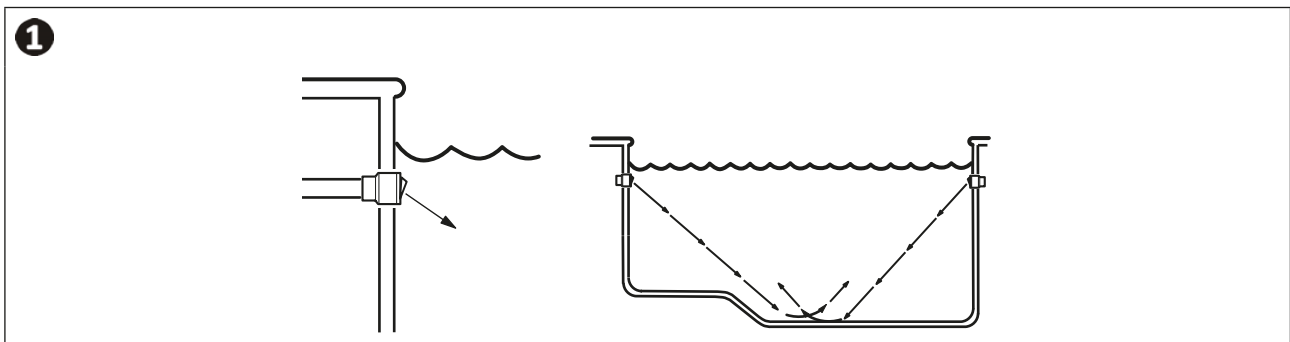


- This product is intended for use in private, permanent-installation, buried or above-ground, rigid-wall swimming pools since it cannot be easily disassembled and stored.
- Not for use in pools which may be dismantled.

The appliance must operate in pool water with the following properties:

<b>Water temperature</b>	Between 15°C and 35°C
<b>pH</b>	Between 6.8 and 7.6
<b>Chlorine</b>	< 3 mg/l

- When the pool is dirty, especially when first installing the cleaner, remove the largest debris using a manual brush and a net.
- Remove any thermometers, toys and other objects that might damage the appliance.
- Wait at least 4 hours after adding chemicals to the water before immersing the cleaner.
- Ensure that the filtration system and the skimmer strainers are clean.
- Direct the discharge nozzles downwards if adjustment is possible (see image **1**).
- Close the bottom plug hole of your pool.
- Stop the filter pump.



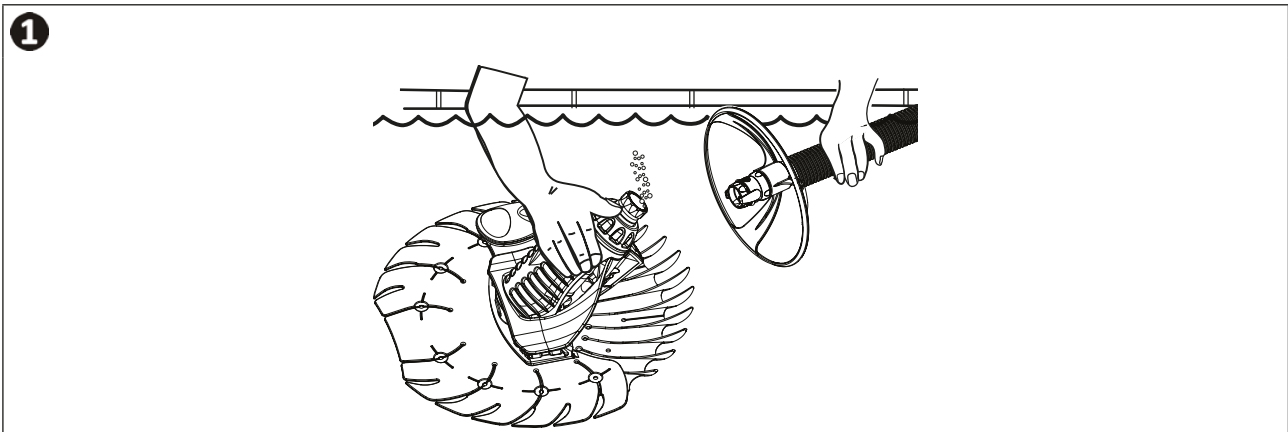
### 3.3 | Operation



- To avoid serious injury, ensure the filter pump is not operating.
- Do not place your hair, loose clothing or jewellery etc. in the vicinity of the open end of the hose.

#### 3.3.1 Connecting and immersing the cleaner

- Immerse the cleaner so that it becomes filled with water.
- When no more air bubbles are released from the cleaner, connect the hose to the cleaner (see image 1).
- Wait for the cleaner to sink to the bottom of the pool.



EN

#### 3.3.2 Filling the hoses

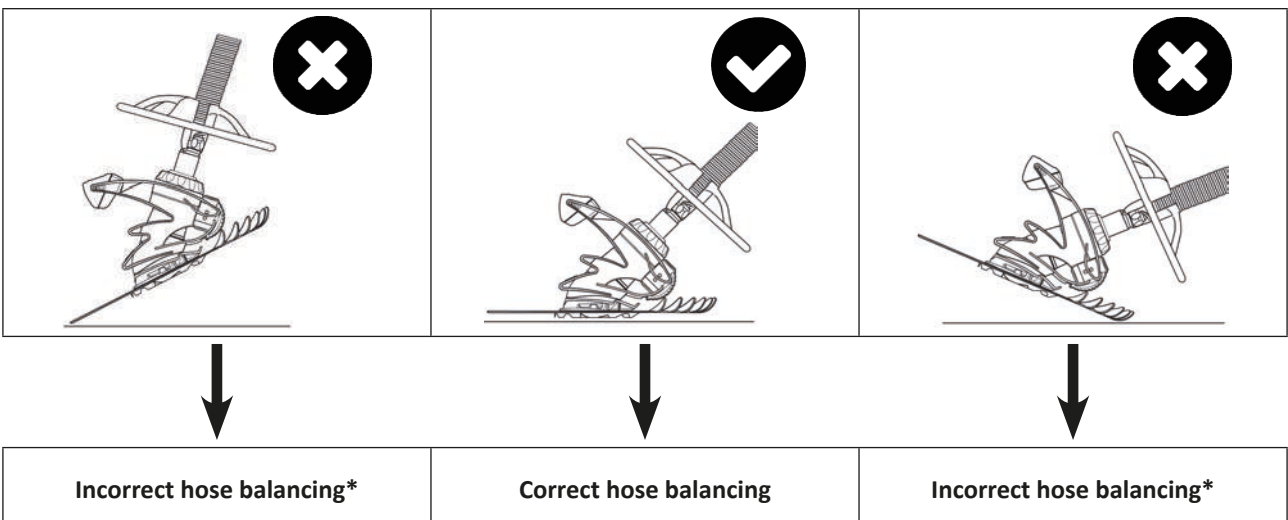
- Temporarily disconnect the hose from the suction port or skimmer.
- Start the filter pump.
- Fill the hose with water by placing the end in front of a discharge nozzle until it is completely full.
- Stop the filter pump and connect the hose back to the suction port or skimmer.
- Start the pump to switch on the cleaner.

### 3.4 | Optimising performance

The cleaner follows the filter pump's activation cycles, aspirating and cleaning the entire surface area of the pool by way of random movements. The rate of coverage of the cleaner depends on the shape of the pool and the water flow rate available. Adjustments may be necessary in some pools in order to optimise the rate of coverage.

#### 3.4.1 Balancing the hose

- A correctly balanced hose must form a 45° angle between the cleaner and the bottom of the pool.



\*See §5.1 | Appliance behaviour.



## 4 Maintenance

- The appliance must be cleaned regularly using clean or slightly soapy water. Do not use solvents.
- Rinse the appliance thoroughly with clean water.
- Never store the cleaner in direct sunlight. Store hoses flat, do not wind in order to retain the initial hose shape.

### 4.1 | Cleaning the filter pump's pre-filter

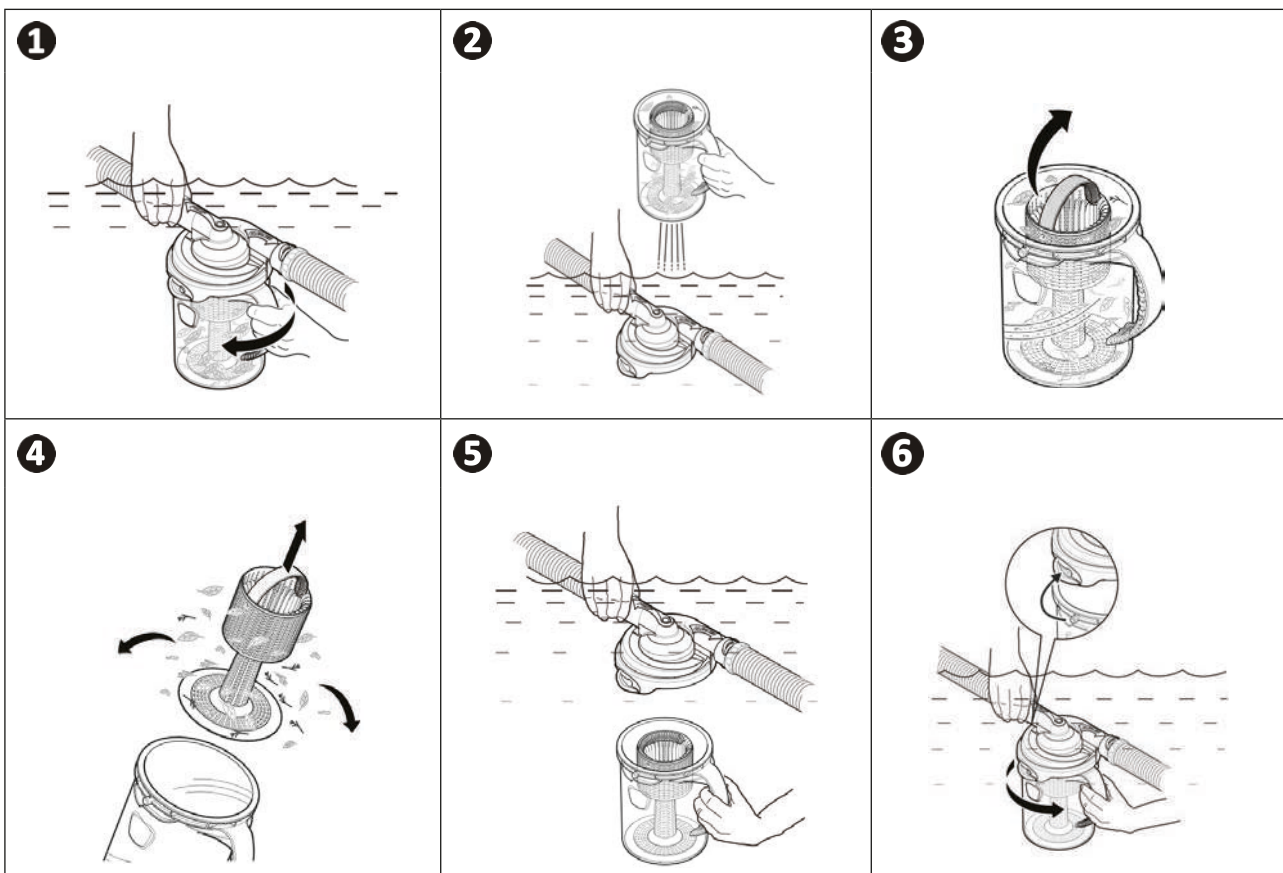


- Always remove the cleaner from the pool before cleaning or draining the filtration system.
- After cleaning (and before re-immersing the cleaner), start the filter pump and leave to operate for at least 5 minutes in order to drain the circuit.

- To keep your cleaner operating efficiently, the pump pre-filter needs to be maintained regularly by removing the debris.
- We recommend using the leaf catcher (accessory available as an optional extra) to collect large debris before it enters the skimmer and pre-filter.

### 4.2 | Cleaning the Cyclonic™ Leaf Catcher (available as an optional extra)

- Stop the filter pump.
- Hold the leaf trap under the water and grasp its handle. Using the handle, turn the transparent container until it comes away (see image 1).
- Remove the transparent container from the water and leave the lid and hoses immersed (see image 2).
- Remove the filter using the top handle (see image 3).
- Remove the debris and rinse the transparent container with fresh water (see image 4).
- Reposition the filter then re-immersing the leaf catcher (see image 5).
- Correctly position the transparent container in the notches of the lid, then twist firmly to clip the 2 parts in place (see image 6).



## 4.3 I Maintaining the diaphragm



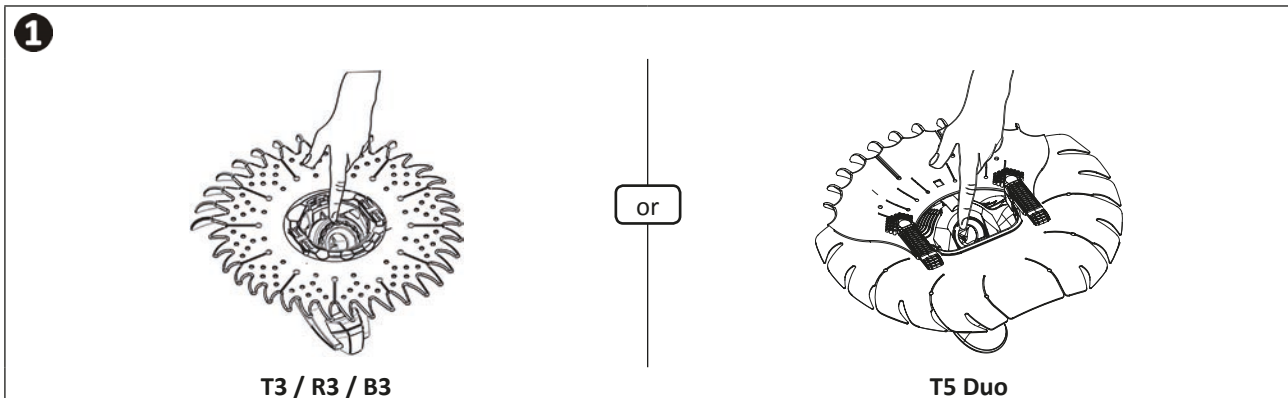
Before beginning this operation and to prevent serious injury:

- Stop the filter pump.
- Disconnect the cleaner from the hose.

### 4.3.1 Checking the diaphragm before cleaning or replacement

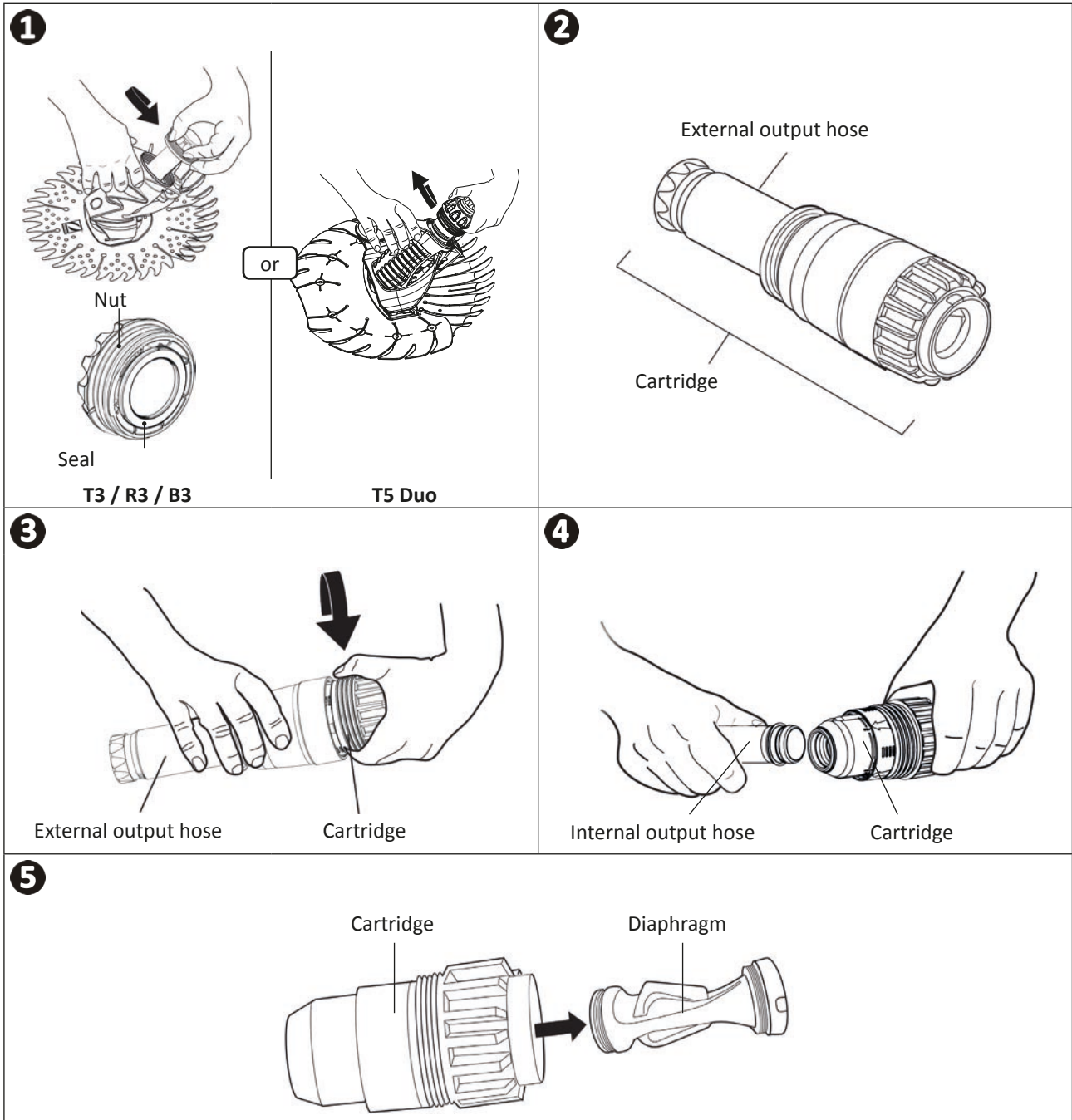
If the cleaner stops, stop the suction pump and remove the cleaner from the pool. Check that the diaphragm is not blocked.

- Turn the cleaner over (see image 1).
- Inspect the diaphragm and remove any debris and/or items that may be blocking it.
- Check that the diaphragm is not damaged (torn, etc.) and that it is not too worn (diaphragm has become slack, worn down or has a sticky texture, etc.). If this is the case, clean or replace the diaphragm (see §4.3.2 Removing the diaphragm for cleaning or replacement and §4.3.3 Re-assembling the diaphragm).



### 4.3.2 Removing the diaphragm for cleaning or replacement

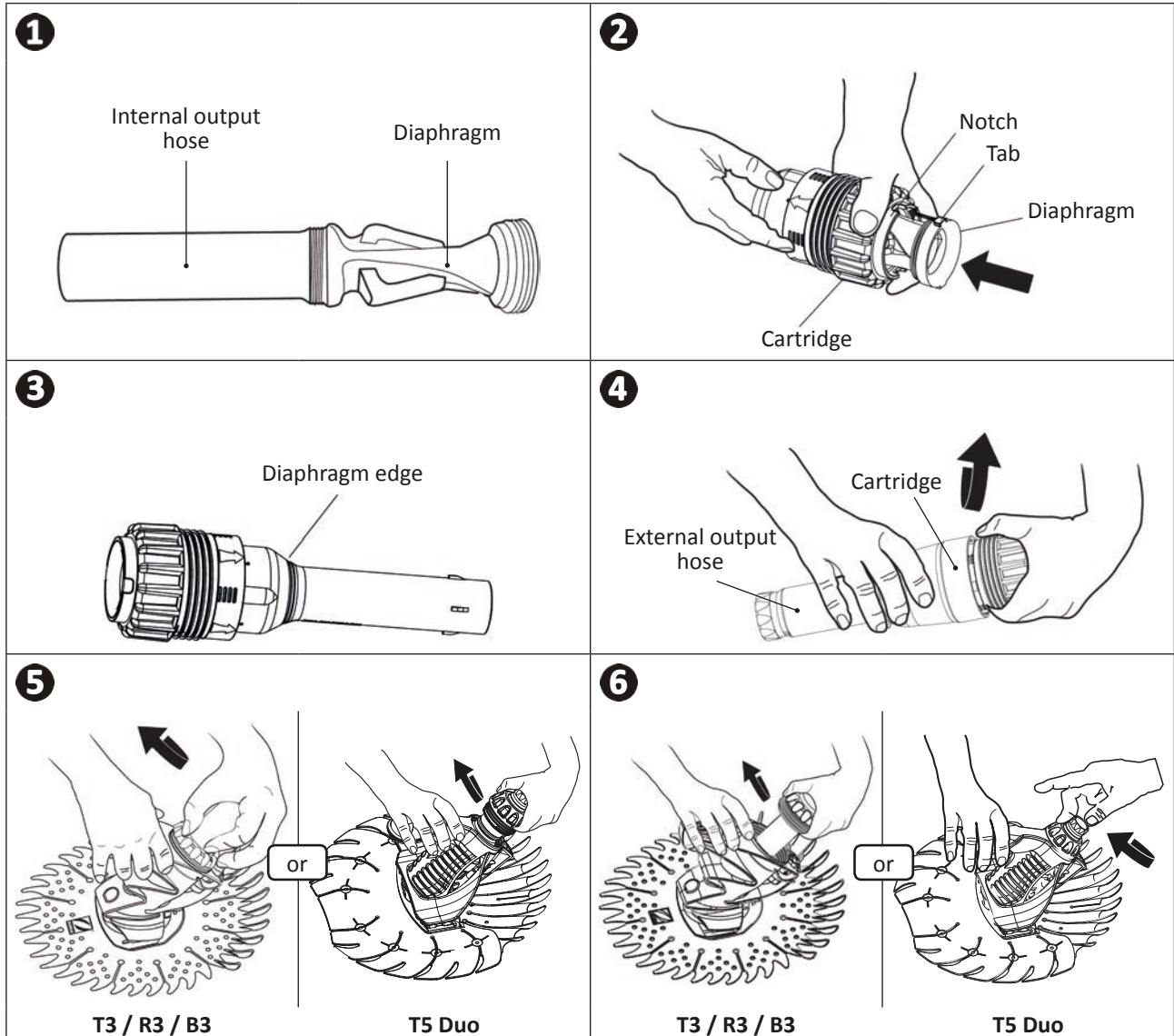
- For the **T3 / R3 / B3 models**, unscrew the clamping nut, remove it by sliding along the external output hose (see image **1**) and set aside. The seal is designed to stay inside the nut for removal in one piece.
- For the **T5 Duo model**, unscrew the cartridge (see image **1**).
- Remove the cartridge and the external output hose from the body of the cleaner (see image **2**).
- Unscrew the cartridge, remove the external output hose and set aside (see image **3**).
- Firmly pull on the internal output hose to remove and set aside (see image **4**).
- Remove the diaphragm from the cartridge and check that no foreign bodies or wear issues are present. Rinse thoroughly with fresh water before reassembling the unit (see image **5**).
- Replace the diaphragm where necessary.





### 4.3.3 Reassembling the diaphragm

- Clip the diaphragm inside the internal output hose (see image 1).
- Insert the internal output hose and the diaphragm into the cartridge. Align the diaphragm with the notches and pull in a straight line (do not twist) until the edge of the diaphragm is visible (see image 2 and 3).
- Screw the external output hose onto the cartridge and tighten (see image 4).
- **For the T3 / R3 / B3 models**, check that the seal is still in place inside the nut. Insert the cartridge inside the body of the cleaner, slide the clamping nut above the external output hose and tighten (see image 5).
- **For the T5 Duo model**, insert the cartridge into the body of the cleaner and tighten the nut (see image 5).
- Check that the external output hose pivots freely by rotating it (see image 6).

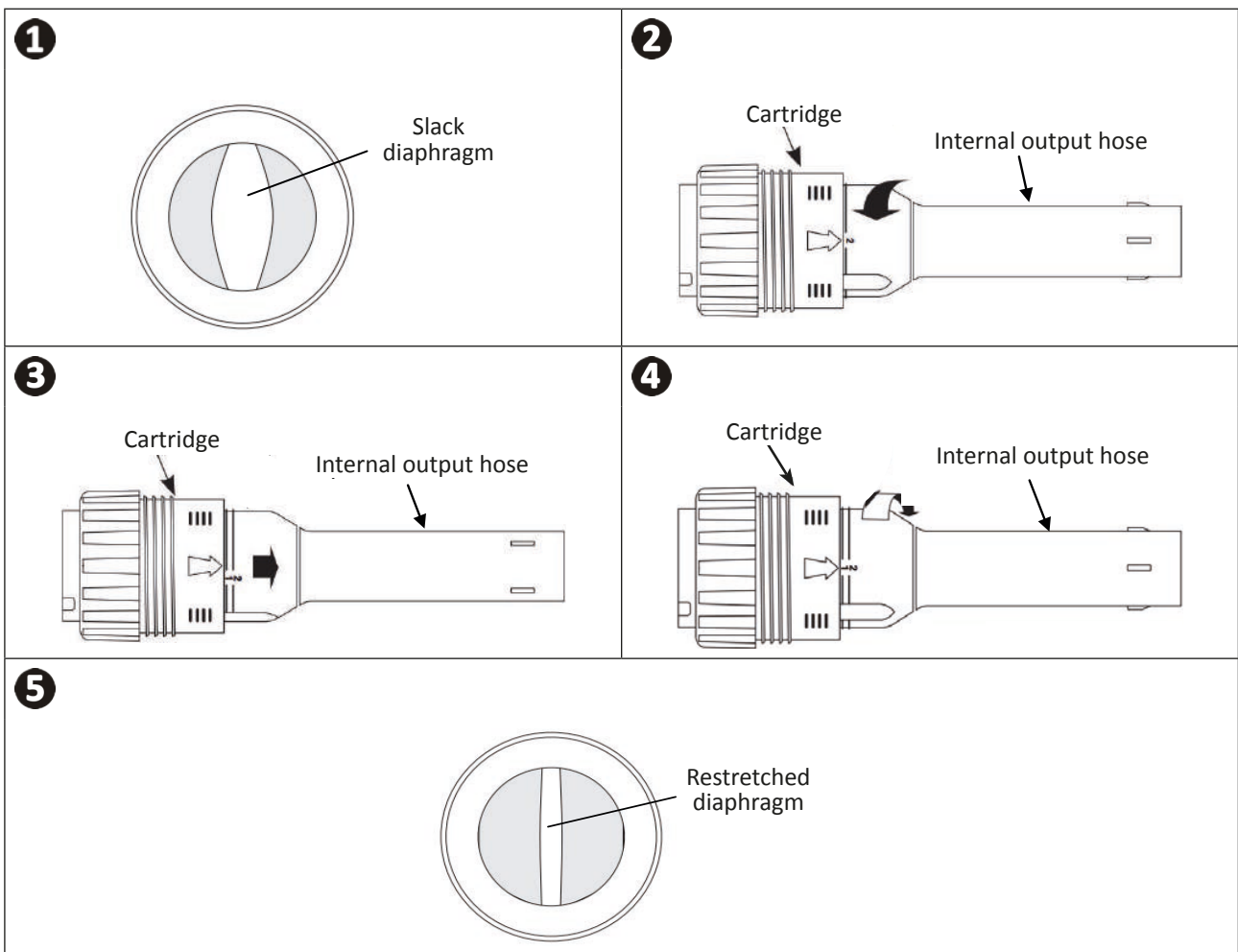


### 4.3.4 Restretching the diaphragm

After several years of use, you may notice that the diaphragm has become slack (see image ❶) and that the cleaner cleans the pool very slowly or not at all. This does not mean that the diaphragm must be replaced. You can extend the service life of the diaphragm by restretching it.

To do this, following the steps below:

- Unscrew the external output hose from the cartridge (see § 4.3.2 **Removing the diaphragm**).
- There is a line on the internal output hose marked with the number 2. The arrow on the base of the cartridge points to this marking. Hold the base of the cartridge firmly and rotate the internal output hose slightly in the anti-clockwise direction to unlock (see image ❷).
- Pull outwards on the internal output hose until a line appears marked with the number 1 (see image ❸).
- Turn the internal output hose in the clockwise direction to lock. It is properly locked in position 1 when you hear a "click" (see image ❹).
- Check that the diaphragm is properly restretched (see image ❺) and reassemble the cartridge (see § 4.3.3 **Reassembling the diaphragm**).



### 4.4 I Storing and winterizing

- Before storing the cleaner for the winter, drain it of all the water (damage due to ice is not covered by the guarantee).
- Clean the whole appliance and the hoses in clean water and leave to dry.
- Store the entire appliance and hoses in a dry location protected from freezing temperatures.
- Lay the disc flat and the hose sections separated, empty and straight.
- Remove all the connectors and adaptors from the suction line or skimmer.



**Tip: Maintain the condition of the hoses during storage**

When the cleaner is in storage, even for a short period, avoid rolling up the hoses, as they may permanently adopt a shape that would reduce the cleaner's performance.



## 5 Troubleshooting



- If a problem occurs, before you contact your retailer, please carry out these few simple checks using the following tables.
- If the problem continues, contact your retailer.

### 5.1 | Appliance behaviour

EN

The cleaner does not move or moves slowly	<ul style="list-style-type: none"> <li>• Use the flow switch to control the flow rate (see §2.4.4 <b>Testing and adjusting the flow rate</b>).</li> <li>• Check that the bottom plug hole is closed.</li> <li>• Check that the diaphragm is not blocked and is not damaged or worn (see §4.3   <b>Maintaining the diaphragm</b>).</li> <li>• Clean the filter and empty the pump strainer (see §4.1   <b>Cleaning the filter pump's pre-filter</b>).</li> <li>• Make sure there is no air in the system. If the water level drops in the pump strainer or if you notice too many air bubbles in the pump strainer or leaving the discharge nozzles, there is air in the system. Check the connections between the hoses, tighten all connections on the pump and check that the O-ring of the pump strainer is not worn.</li> </ul>
The cleaner's movements do not cover the entire surface area of the pool	<ul style="list-style-type: none"> <li>• Use the flow switch to control the flow rate (see §2.4.4 <b>Testing and adjusting the flow rate</b>).</li> <li>• Reduce the flow rate to distance the cleaner from the walls.</li> <li>• Check that the discharge nozzles are facing downwards (see §3.2   <b>Pool preparation</b>).</li> <li>• Check that the hose has not become tangled or coiled. Lay them out in the sun to stretch them if necessary.</li> <li>• Check the position of the counterweights on the hose: 1 m from the cleaner.</li> <li>• Check that the motor rotates freely inside the body of the cleaner.</li> <li>• Check the length of the hose (see §2.2   <b>Assembling the hose sections</b>).</li> </ul>
The cleaner does not stay firmly on the pool bottom	<ul style="list-style-type: none"> <li>• Check the position of the counterweights on the hose.</li> <li>• Test and increase the flow rate if necessary (see §2.4.4 <b>Testing and adjusting the flow rate</b>).</li> </ul>
The cleaner gets stuck at the steps	<ul style="list-style-type: none"> <li>• Use the flow switch to control the flow rate (see §2.4.4 <b>Testing and adjusting the flow rate</b>).</li> <li>• Check the hose length. Shorten if necessary (see §2.2   <b>Assembling the hose sections</b>).</li> <li>• Use the discharge nozzles to guide the cleaner.</li> <li>• Reposition the wheel deflector on the hose to provide better contact with the steps and distance the cleaner.</li> </ul>
The cleaner remains on the walls or edges of the pool.	<ul style="list-style-type: none"> <li>• Use the flow switch to guide you and reduce the flow rate by setting to position 2 (see §2.4.4 <b>Testing and adjusting the flow rate</b>).</li> <li>• Check the position of the counterweights on the hose: 1 m from the cleaner.</li> </ul>
The cleaner does not climb the walls (T5 Duo only)	<ul style="list-style-type: none"> <li>• Use the flow switch to check that the flow rate corresponds to setting 3 (see §2.4.4 <b>Testing and adjusting the flow rate</b>).</li> <li>• Check the position of the counterweights on the hose: 1 m from the cleaner.</li> </ul>
The cleaner goes beyond the water line (T5 Duo only)	<ul style="list-style-type: none"> <li>• Reduce the flow rate.</li> </ul>

Votre revendeur  
*Your retailer*

Modèle appareil  
*Appliance model*

Numéro de série  
*Serial number*


Pour plus d'informations, enregistrement produit et support client :  
*For more information, product registration and customer support:*

**[www.zodiac.com](http://www.zodiac.com)**

