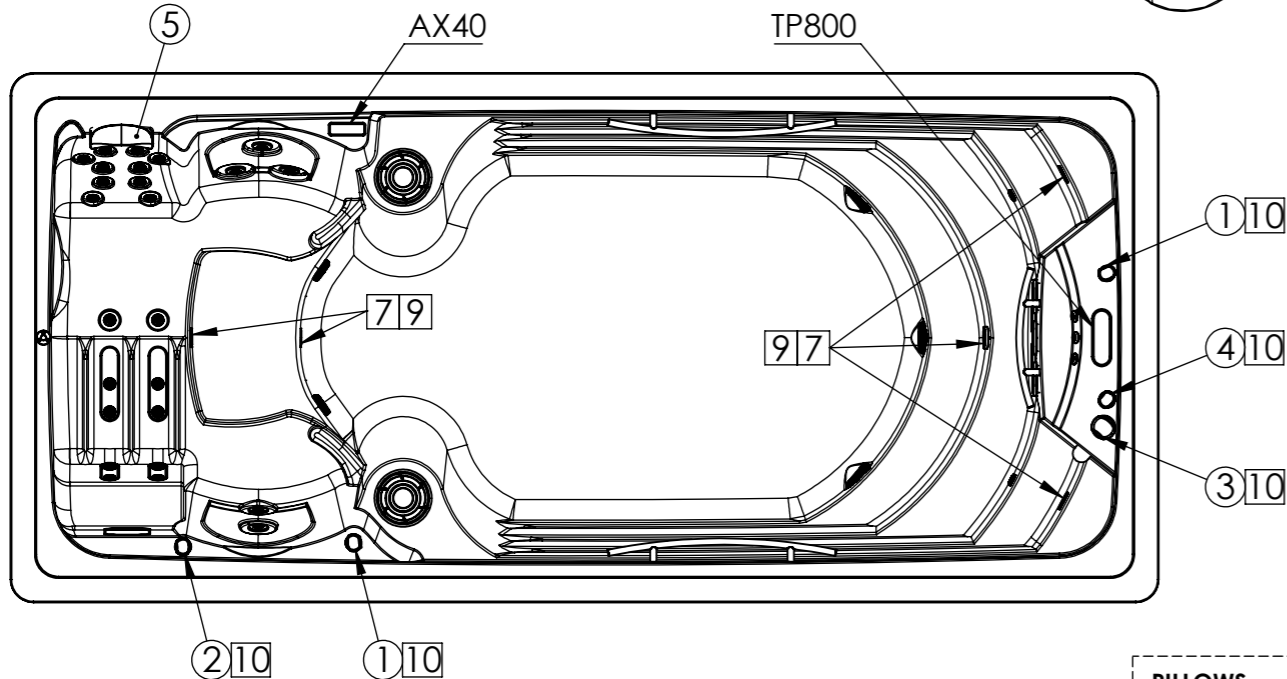


According to our policy of continuous improvement, dimensions, features or components of this product can be partially or completely changed without prior notice. It's Customer responsibility to verify that this is the last version of the drawing

Property of IBERSPA S.L. Avda. Pla d'Urgell 2-8 25200 Cervera, Spain. Don't use without permission. Keep this information confidential and use it solely for the permitted purpose.

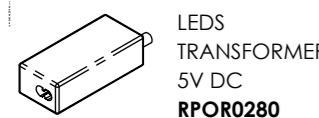
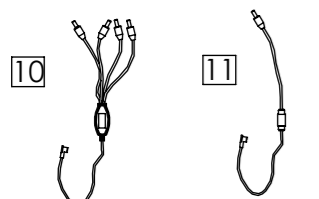
**CONTROL COMPONENTS**



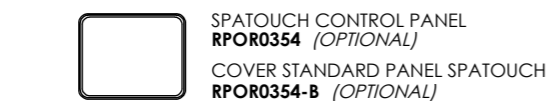
**PILLOWS**



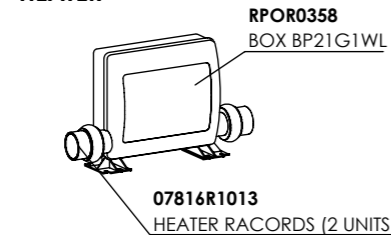
**LIGHT COMPONENTS**



**CONTROL PANELS**

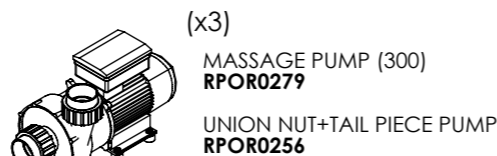


**HEATER**

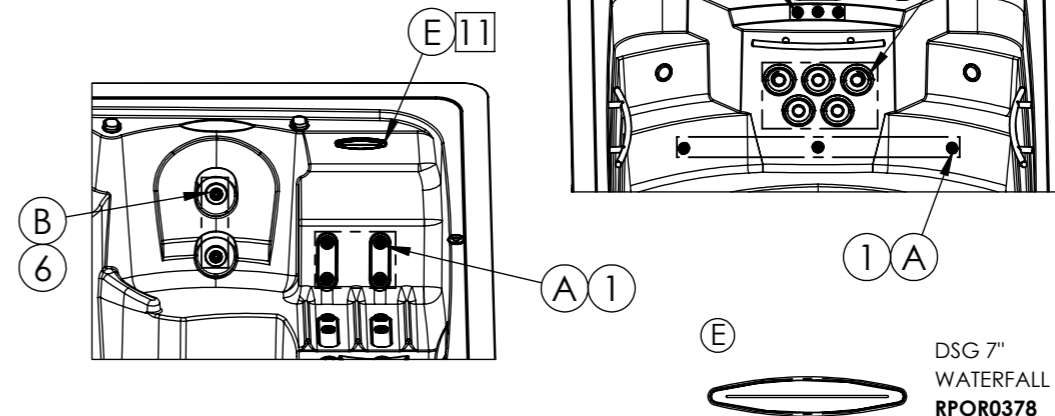
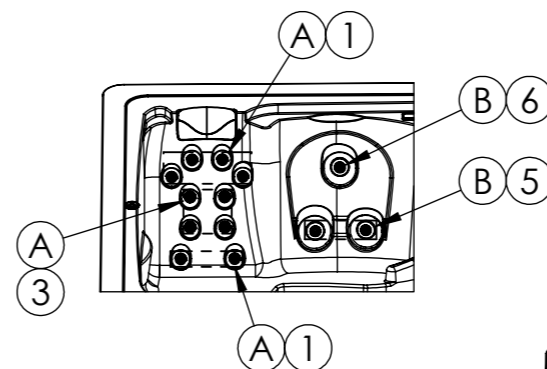
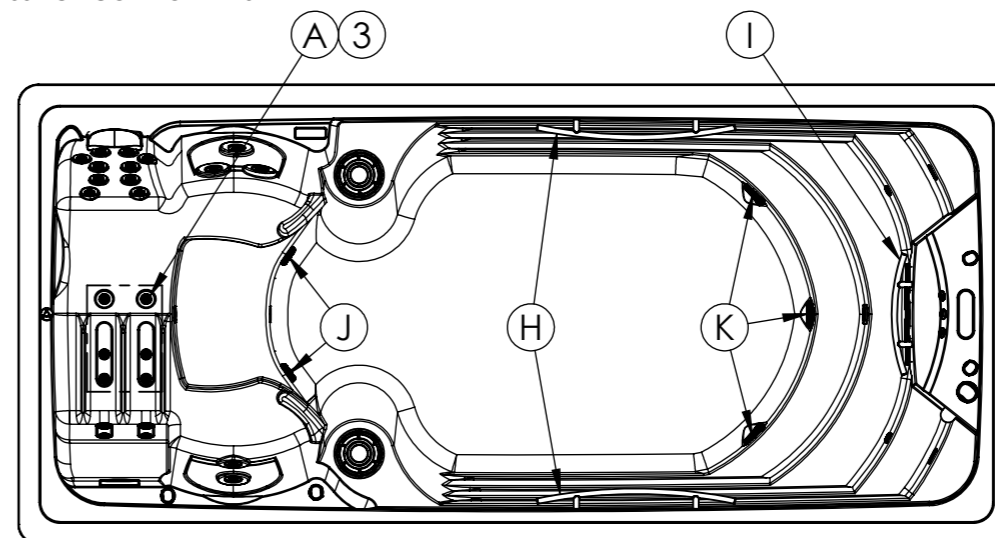


- RPOR0101 - TEMPERATURE PROBES GS I GL (x2)
- RPOR0105 - HEATER 3KW GS I GL
- RPOR0358-A - DIGITAL PANEL BP21G1WL
- RPOR0330 - EXPANDER BOARD KIT FOR SYSTEM BP21G1WL
- RPOR0358-B - LEVEL SENSOR

**PUMPS**



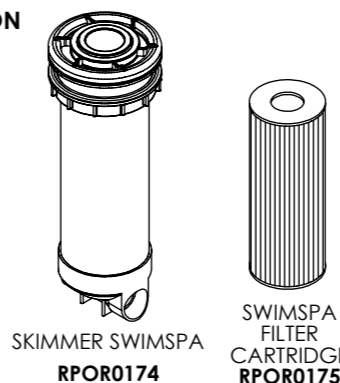
**MASSAGE COMPONENTS**



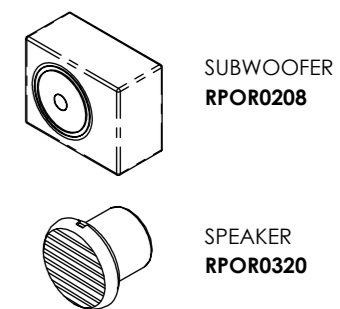
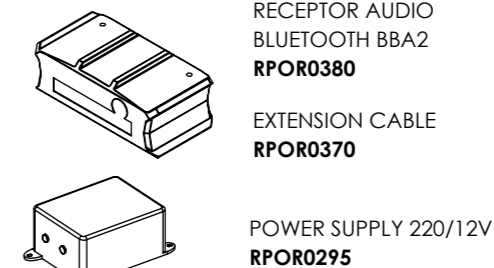
- JET BODY SET 2" RPOR0375
- FRONTAL JET 2" SS DIRECTIONAL RPOR0375-A
- FRONTAL JET 2" LF SS DIRECTIONAL RPOR00375-B
- FRONTAL JET 2" SS ROTO RPOR0375-C
- FRONTAL JET 2" LF SS ROTO RPOR0375-D

- JET BODY SET 3" RPOR0376
- FRONTAL JET 3" SS DIRECTIONAL RPOR0376-A
- FRONTAL JET 3" SS TWIN ROTO RPOR0376-B
- SWIM JET STAINLESS STEEL RPOR0282
- FOUNTAIN RPOR0301

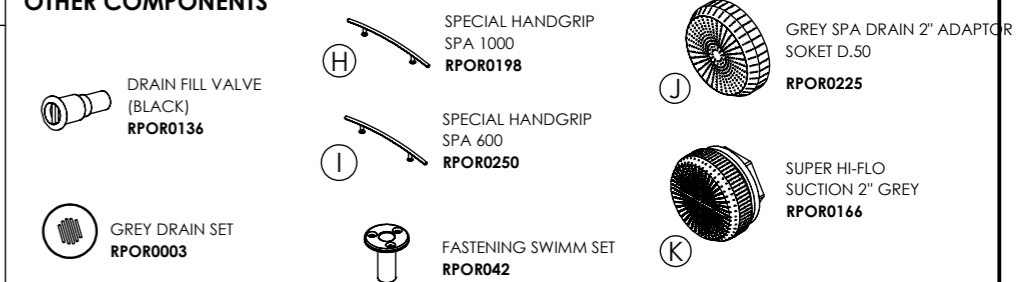
**FILTRATION**



**AUDIO** Option 4.1



**OTHER COMPONENTS**



**DESINFECTATION**

