



www.grepool.com

- ▶ EN HEAT PUMPS  
for aboveground pools
- ▶ ES BOMBAS DE CALOR para  
piscinas sobre suelo
- ▶ FR POMPES À CHALEUR  
pour piscines hors sol
- ▶ DE WÄRMEPUMPE  
für Aufstellbecken
- ▶ IT POMPA DI CALORE  
per piscinefuori terra
- ▶ NL WARMTEPOMP  
Voor verwijderbare zwembaden
- ▶ PT BOMBAS DE CALOR para  
piscinas elevadas
- ▶ PO POMPA CIEPŁA  
do basenównaziemnych
- ▶ CS TEPELNÁ ČERPADLA  
pro nadzemní bazény
- ▶ SK TEPELNÉ ČERPADLÁ  
pre nadzemné bazény
- ▶ SV VÄRMEPUMPAR  
för pooler ovan mark
- ▶ RO POMPE DE CĂLDURĂ  
pentru piscine supraterane
- ▶ HU HŐSZIVATTYÚK  
felszíni medencékhez
- ▶ DA VARMEPUMPER  
til pools over jorden
- ▶ NO VARMEPUMPER  
for overjordiske  
svømmebassenger
- ▶ FI LÄMPÖPUMPUT  
maan päälle asennetuille  
uima-altaille



mini  
pool  
heating

Reference HPM20  
HPM30  
HPM40

Owner's Manual / Manual de Instrucciones / Manuel d'instructions / Bedienungsanleitung /  
Manuale delle istruzioni / Handleiding met instructies / Manual de instruções /  
Instrukcja obsługi / Návod k použití / Návod na obsluhu / Användarhandbok/  
Manual de instrucțiuni / Használati utasítások kézikönyve / Brugerens håndbog / Bruksanvisnin  
/ Omistajan käyttöopas

DISTRIBUTED BY / DISTRIBUIDO POR / DISTRIBUÉ PAR / VERTRIEB DURCH / DISTRIBUITO DA / GEDISTRIBUEERD DOOR / DISTRIBUÍDO POR /  
WYPRODUKOWANY PRZEZ / DISTRIBUTOR / DISTRIBÚTOR / DISTRIBUERAS AV / DISTRIBUITE DE / FORGALMAZZA / DA / NO / FI




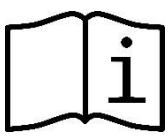
MANUFACTURAS GRE, S.A. ARITZ BIDEA Nº 57 BELAKO INDUSTRIALDEA, APARTADO 69 – 48100 MUNGUIA (VIZCAYA) ESPAÑA Nº Reg. Ind. 48-06762

MADE IN CHINA / FABRICADO EN CHINA / FABRIQUÉ AU CHINE / HERGESTELLT IN CHINA / PRODOTTO IN CHINA / GEPRODUCEERD IN CHINA / FABRICADO NA RPC /  
WYPRODUKOWANO W CHINACH / VYROBENO V ČÍNĚ / VYROBENÉ V ČÍNE / TILLVERKAD I KINA / FABRICAT ÎN CHINA / KÉSZÜLT KÍNÁBAN

H0774400.C 09-2024

<b>English</b> .....	<b>1</b>
<b>Español</b> .....	<b>24</b>
<b>Français</b> .....	<b>48</b>
<b>Deutsch</b> .....	<b>72</b>
<b>Italiano</b> .....	<b>97</b>
<b>Nederlands</b> .....	<b>121</b>
<b>Português</b> .....	<b>145</b>
<b>Polski</b> .....	<b>169</b>
<b>Česky</b> .....	<b>193</b>
<b>Slovensky</b> .....	<b>216</b>
<b>Svenska</b> .....	<b>239</b>
<b>Română</b> .....	<b>262</b>
<b>Magyar</b> .....	<b>286</b>
<b>Dansk</b> .....	<b>310</b>
<b>Norsk</b> .....	<b>333</b>
<b>Suomamainen</b> .....	<b>356</b>

 **WARNINGS**

	<p>This symbol shows that information is available such as the Operating Manual or Installation Manual.</p>		<p>This symbol shows that this appliance uses R32, a low burning velocity refrigerant.</p>
	<p>This symbol shows that the Operation Manual should be read carefully.</p>		<p>This symbol shows that service personnel should be handling this equipment with reference to the Installation Manual.</p>

**GENERAL WARNINGS**

- Failure to respect the warnings may cause serious damage to the pool equipment or cause serious injury, even death.
- Only a person qualified in the technical fields concerned (electricity, hydraulics or refrigeration) is authorised to carry out maintenance or repair work on the appliance. The qualified technician working on the appliance must use/wear personal protective equipment (such as safety goggles and protective gloves, etc.) in order to reduce the risk of injury occurring when working on the appliance.
- Before handling the appliance, check that it is switched off and isolated.
- This appliance is not intended for use by individuals (including children, over the age of 8) lacking inexperience or with impaired physical, sensory or mental capabilities, unless: they receive supervision and are instructed on how to use the appliance by a person responsible for their safety; and if they understand the hazards involved.
- Children must be supervised to ensure that they do not play with the appliance.
- The appliance must be installed according to the manufacturer's instructions and in compliance with local and national standards. The installer is responsible for installing the appliance and for compliance with national installation regulations. Under no circumstances may the manufacturer be held liable in the event of failure to comply with applicable local installation standards.
- For any work other than the simple user maintenance described in this manual, the product should be referred to a qualified professional.
- Incorrect installation and/or use may cause serious damage to property or serious injuries (possibly causing death).
- If the appliance suffers a malfunction, do not try to repair it yourself; instead contact a qualified technician.
- Deactivating, eliminating or by-passing any of the safety mechanisms integrated into the appliance shall automatically void the warranty, in addition to the use of spare parts manufactured by unauthorised third-party manufacturers.
- Do not spray insecticide or any other chemical (flammable or non-flammable) in the direction of the appliance, as this may damage the body and cause a fire.
- Do not touch the fan or moving parts and do not place objects or your fingers in the vicinity of the moving parts when the appliance is in operation. Moving parts can cause serious injury or even death.

### **WARNINGS ASSOCIATED WITH ELECTRICAL APPLIANCES**

- The power supply to the appliance must be protected by a dedicated 30 mA Residual Current Device (RCD), complying with the standards and regulations in force in the country in which it is installed.
- Do not use any extension lead when connecting the appliance; connect the appliance directly to a suitable power supply.
- Before carrying out any operations, check that:
  - The voltage indicated on the appliance information plate corresponds to the mains voltage.
  - The power grid must be adapted to the power requirements of the appliance, and is grounded.
  - The plug (where applicable) is suitable for the socket.
- Do not disconnect and reconnect the appliance to the power supply when in operation.
- Do not pull on the power cord to disconnect it from the power supply.
- If the power cord is damaged, it must be replaced by the manufacturer, its technician or a qualified person to guarantee safety.
- Do not perform maintenance or servicing operations on the appliance with wet hands or if the appliance is wet.
- Before connecting the appliance to the power supply, check that the connection unit or socket to which the appliance will be connected is in good condition and shows no signs of damage or rust.
- In stormy weather, disconnect the appliance from the power supply to prevent it from suffering lightning damage.
- Do not immerse the appliance in water or mud; keep the circuit breaker away from water.

### **WARNINGS CONCERNING APPLIANCES CONTAINING REFRIGERANT R32**

- R32 refrigerant is classed under category A2L as mildly flammable.
- Do not release R32 fluid into the atmosphere. These are fluorinated greenhouse gases, covered by the Kyoto Protocol, with a Global Warming Potential (GWP) of 675 (European regulation EU 517/2014).
- The appliance must be stored in a well-ventilated location away from all ignition sources.
- Install the unit outdoors. Do not install the unit indoors or in an enclosed and non-ventilated outdoor location.
- Do not use means for accelerating the defrosting or cleaning process other than those recommended by the manufacturer.
- The appliance must be stored in a room without any permanent ignition source (such as open flames, operating gas appliance or operating electric heating).
- Do not perforate or incinerate.
- Please note that R32 refrigerant may give off a certain odour.
- In order to comply with the applicable standards and regulations in terms of the environment and installation, in particular French decree No. 2015-1790 and/or European regulation EU 517/2014, a leak test must be performed on the cooling circuit at least once a year. This operation must be carried out by a specialist certified to test cooling appliances.
- Please keep the display controller in a dry area, to protect the display controller from being damaged by humidity.

### **MAINTENANCE: WARNINGS CONCERNING APPLIANCES CONTAINING R32 REFRIGERANT**

- When servicing the appliance, the composition and state of the heat transfer fluid must be checked, as well as the absence of any traces of refrigerant.
- During the annual appliance sealing test in accordance with applicable legislation, the high and low pressure switches must be checked to ensure that they are securely fastened to the refrigerant circuit and that they cut off the electrical circuit when tripped.
- During maintenance work, ensure there are no traces of corrosion or oil around the cooling components.
- Do not braze or weld the pipe if there is refrigerant inside machine. Please do not charge the gas when in a confined space.



### ***Area check***

- Before starting work on systems containing flammable refrigerants, safety checks must be carried out to guarantee a minimal ignition risk.

### ***Work procedure***

- The work must be carried out according to a controlled procedure in order to reduce the risks of releasing a flammable gas or vapour while working.
- Before beginning work on the cooling circuit, stop the appliance and wait for a few minutes before fitting the temperature and pressure sensors. Some elements such as the compressor and piping may reach temperatures in excess of 100°C and high pressures with the consequent risk of severe burns.

### ***General work area***

- All maintenance staff and other personnel working in the surrounding area must be made aware of the work carried out. Work conducted in enclosed areas must be avoided.

### ***Check for the presence of refrigerant***

- The area must be analysed using a suitable refrigerant detector before and during work so that the technician is informed of the presence of a potentially toxic or flammable atmosphere. Check that the leak detection equipment used is suitable for use with all refrigerants concerned, i.e. that it does not cause a spark, is correctly isolated or is entirely safe.

### ***Check for the presence of a fire extinguisher***

- If work must be carried out on the cooling equipment or any part associated therewith at a certain temperature, suitable fire extinguishing means must be within reach. Place a dry chemical fire extinguisher or CO<sub>2</sub> fire extinguisher near the work area.

### ***No source of ignition***

- No person carrying out work on a cooling system involving exposing the piping may use any ignition source, which could create a fire or explosion risk. All possible ignition sources, in particular cigarettes, must not enter within a sufficient perimeter of the installation, repair, removal or disposal site, in the event that refrigerant could be released into the surrounding space. Before starting the work, the area around the equipment must be examined to check for all fire or ignition risks. "No smoking" signs must be displayed.

### ***Area ventilation***

- Before accessing the unit in any manner whatsoever with the intention of performing any maintenance task, check that the area is open and well-ventilated. Suitable ventilation must be provided throughout the maintenance task to allow any refrigerant that could be released into the atmosphere to be safely dispersed.

### ***Refrigeration equipment check***

- The manufacturer's recommendations in terms of care and maintenance must always be complied with. When replacing electric components, check that components used are of the same type and category as those recommended/approved by the manufacturer. When in doubt, contact the manufacturer's technical department for assistance.
- The following checks must be applied to installations using flammable refrigerants:
  - if an indirect cooling circuit is used, the presence of refrigerant in the secondary circuit must be analysed;
  - the markings on the equipment must remain visible and legible; any illegible markings or signs must be rectified;
  - the hoses or components of the cooling circuit are installed in a position where they are unlikely to be exposed to any substance capable of corroding the components containing refrigerant, unless the components are made from materials that are typically corrosion-proof or correctly protected from such corrosion.

### ***Electric component check***

- The repair and maintenance of electric components must include initial safety checks and component inspection procedures. If a defect capable of jeopardising safety arises, no power supply must be connected to the circuit until the problem has been completely resolved. If the defect cannot be rectified immediately

and if maintenance work must continue, an appropriate temporary solution must be found. This must be reported to the equipment's owner so that all persons concerned are made aware.

- The repair and maintenance of electric components must include the following initial safety checks:
  - the capacitors are discharged: this must be carried out safely to prevent all risks of ignition;
  - no electric component or live wiring is exposed while charging, overhauling or draining the system;
  - the system must be grounded at all times.

#### ***Repair of insulated components***

- When repairing insulated components, all power sources must be disconnected from the equipment on which the work is being carried out before removing the insulating cover, etc. If the equipment must be powered during maintenance work, a leak detector must continuously monitor for leaks at the most critical point in order to report any potentially hazardous situation.
- Particular attention must be paid to the following points to ensure that, when performing work on the electric components, the housing is not altered to the point of affecting the protection rating. This includes damaged wires, an excessive number of connections, terminals that do not comply with the original specifications, damaged seals, incorrect installation of the cable glands, etc.
- Make sure that the appliance is properly fixed.
- Make sure that the seals or insulating materials are not deteriorated to the point that they no longer prevent a flammable atmosphere from penetrating the circuit. Spare parts must be compliant with the manufacturer's specifications.

#### ***Repair of intrinsically safe components***

- Do not apply any permanent electric capacitance or induction charge to the circuit without checking that it does not exceed the allowed voltage and intensity for the equipment being used.
- Typically safe components are the only types on which work can be carried out in the presence of a flammable atmosphere when live. The test appliance must fall under a suitable classification.
- Only replace components with parts specified by the manufacturer. Other parts could cause the refrigerant to leak and ignite in the atmosphere.

#### ***Wiring***

- Check that the wiring shows no signs of wear, corrosion, excessive pressure, vibration, cutting edges or any other detrimental environmental effect. The check must also take into account the effects of ageing or continuous vibrations caused by sources such as compressors or fans.

#### ***Detection of flammable refrigerant***

- Under no circumstances must potential ignition sources be used to search for or detect refrigerant leaks. A halide torch (or any other detector using a naked flame) must not be used.
- The following leak detection methods are considered to be acceptable for all cooling systems.
- Electronic leak detectors can be used to detect refrigerant leaks; however, in the case of flammable refrigerants, the sensitivity level may not be suitable or recalibration may be necessary. (The detection equipment must be calibrated in an area devoid of refrigerant). Check that the detector is not a potential ignition source and is appropriate for the refrigerant used. The leak detection equipment must be adjusted to a percentage of the refrigerant's LFL and must be calibrated according to the refrigerant used. The appropriate gas percentage (25% at most) must be confirmed.
- Leak detection fluids are also suited for use with most refrigerants, however the use of detergents containing chlorine must be avoided since it could react with the refrigerant and cause corrosion to the copper piping.
- If a leak is suspected, all naked flames must be removed/extinguished.
- If a refrigerant leak is detected and requires soldering, the entire quantity of refrigerant must be removed from the system or isolated (by way of shut-off valves) in part of the system located away from the leak.

#### ***Removal and discharge***

- When accessing the cooling circuit to carry out repairs, or for any other reason, conventional procedures must be employed. However, for flammable refrigerants, the recommendations must be complied with in order to take account of the product's flammability. The following procedure must be followed:

- remove the refrigerant;
- purge the circuit with an inert gas (optional for A2L);
- drain (optional for A2L);
- purge with an inert gas (optional for A2L);
- open the circuit by cutting or soldering.
- The refrigerant charge must be recovered in suitable recovery cylinders. For appliances containing flammable refrigerants other than A2L refrigerants, the system must be bled with nitrogen devoid of oxygen to make the appliance suitable for receiving flammable refrigerants. You may need to repeat this process several times. Compressed air or oxygen must not be used to purge cooling systems.

#### ***Loading procedures***

- Check that the vacuum pump outlet is not located in the vicinity of any potential ignition source and that ventilation is provided.
- In addition to conventional charging procedures, the following requirements apply.
- Check that there is no possibility of cross-contamination between the different refrigerants when using charging equipment. Hoses or lines must be as short as possible to reduce the quantity of refrigerant contained therein.
- Cylinders must be kept in an appropriate position, in accordance with the instructions.
- Check that the cooling system is grounded before charging the system with refrigerant.
- Label the system once charging is complete (if this is not already the case).
- Pay close attention to not overfilling the cooling system.
- Before recharging the system, carry out a pressure test using a suitable purge gas. The system must be examined to make sure there are no leaks after the charging operation and before commissioning. A follow-up leak test must be carried out before leaving the site.

#### ***Dismantling***

- Before dismantling, the technician must familiarise himself/herself with the equipment and its specifications. We highly recommend carefully recovering all refrigerants. Before this, oil and refrigerant samples must be taken if analyses are to be carried out before any other use of the recovered refrigerant. Check for the presence of a power supply before starting work.
  1. Familiarise yourself with the equipment and how it operates.
  2. Electrically isolate the system.
  3. Before starting work, check the following points:
    - mechanical handling equipment is available if needed to handle the refrigerant cylinders;
    - all personal protective equipment is available and used correctly;
    - the recovery process is followed at all times by a cognizant person;
    - the recovery cylinders and equipment comply with the relevant standards.
  4. Drain the cooling system where possible.
  5. If a vacuum cannot be created, install a manifold in order to be able to remove the refrigerant from various locations within the system.
  6. Make sure that the cylinder is located on the scales before starting recovery operations.
  7. Start the recovery unit and operate as per its instructions.
  8. Do not overfill the cylinders (no more than 80% of the volume must be filled with liquid).
  9. Do not exceed the maximum working pressure of the cylinder, even temporarily.
  10. When the cylinders have been filled correctly and the process is complete, check that the cylinders and the equipment are quickly removed from the site and that the alternative shut-off valves on the equipment are closed.
  11. The recovered refrigerant must not be charged in another cooling system, unless it has been cleaned and inspected.

#### **TROUBLESHOOTING**

- All brazing must be carried out by qualified brazers.
- Replacement pipes must always be made of copper in compliance with standard NF EN 12735-1.
- Leak detection; pressure test:
  - never use oxygen or dry air, risk of fire or explosion,

- use dry nitrogen or the mixture of nitrogen and refrigerant indicated on the information plate,
- the test pressure for both the high and low pressure circuits must not exceed 42 bar in cases where the appliance is equipped with the optional pressure gauge.
- The high pressure circuit pipes are made of copper and have a diameter equal to or greater than 1”5/8. A certificate as indicated in §2.1 in compliance with standard NF EN 10204 must be requested from the supplier and filed in the installation’s technical file.
- Technical data relative to the safety requirements of the various applicable directives are indicated on the information plate. All this information must be recorded in the appliance’s installation manual, which must be kept in its technical file: model, code, serial number, maximum and minimum OT, OP, year of manufacture, CE marking, manufacturer’s address, refrigerant and weight, electrical parameters, thermo- dynamic and acoustic performance.

#### **LABELLING**

- The equipment must be labelled so as to specify that it is out of order and that the refrigerant has been drained.
- The label must be dated and signed.
- For appliances containing a flammable refrigerant, check that labels are placed on the equipment stating that it contains a flammable refrigerant.

#### **RECOVERY**

- When draining the refrigerant for maintenance or decommissioning, best practices should be followed in order to safely drain all of the refrigerant.
- When transferring refrigerant to a cylinder, make sure that you use a recovery cylinder that is compatible with the refrigerant. Make sure that the correct number of cylinders are provided for recovering all of the refrigerant. All cylinders used must be intended for the recovery of refrigerant and must be labelled for this specific refrigerant. The cylinders must be equipped with a vacuum valve and a stop gate in good working order. Empty collection cylinders are drained and, where possible, cooled before recovery.
- The recovery equipment must be in good working order, the instructions for using the equipment must be within reach and the equipment must be compatible for use with the refrigerant concerned, including, where appropriate, a flammable refrigerant. Moreover, a set of calibrated scales must be available and in good working order. The pipework must be complete, have no leaks or disconnected connectors, and must be in good condition. Before using the recovery unit, check that it is in good working order, that it has been well maintained and that the associated electric components are sealed so as to prevent any risk of fire in the event of refrigerant being released. If you have any doubts, contact the manufacturer.
- The recovered refrigerant must be sent to the refrigerant supplier in its recovery cylinder with a waste transfer note. Do not mix different refrigerants in the recovery units, and in particular in the cylinders.
- If the compressor has been removed or if oil from the compressor has been drained, check that the refrigerant has been completely removed to prevent it from mixing with the lubricant. The draining process must be carried out before returning the compressor to the supplier. Only the electric heater of the compressor body can be used to accelerate this process. This operation can be carried out safely once all liquids within the system have been drained.



#### **RECYCLING**

This symbol is required by the European directive DEEE 2012/19/EU (directive on waste electrical and electronic equipment) and means that your appliance must not be thrown into a normal bin. It will be selectively collected for the purpose of reuse, recycling or transformation. If it contains any substances that may be harmful to the environment, these will be eliminated or neutralised. Contact your retailer for recycling information.

# MINI HEATER

## User and Service manual

### INDEX

1. Specifications
2. Transport advertising
3. Dimension
4. Installation and connection
5. Electrical wiring
6. Display controller operation
7. Troubleshooting
8. Exploded diagram
9. Maintenance
10. Accessories



**ATTENTION: This manual includes all the necessary information with the use and the installation of your heat pump.**

The installer must read the manual and follow the instructions of implementation and maintenance.

The installer is responsible for the installation of the product and should follow all the instructions of the manufacturer and the regulations in application. Incorrect installation will invalidate the guarantee.

The manufacturer declines any respectability for the damage caused by any third party, object ingress and of the errors due to the installation that do not follow the manual guidelines. Any use that is not as intended by the manufacturer will invalidate the guarantee.

Thank you for using Mini Heater for your pool heating, it will heat your pool water and keep the constant temperature when the air ambient temperature is above 12 °C

# 1. Specifications

## 1.1 Technical data pool heat pumps

Item	HPM20	HPM30	HPM40
Code	71245	71258	71606
<b>* Heating Capacity at Air 28°C, Water 28°C, Humidity 80%</b>			
Heating Capacity (kW)	2.5	4.2	5.5
Power Consumption (kW)	0.59	1	1.31
COP	4.2	4.2	4.2
<b>* Heating Capacity at Air 15°C, Water 26°C, Humidity 70%</b>			
Heating Capacity (kW)	1.9	3.2	4.2
Power Consumption (kW)	0.56	0.91	1.2
COP	3.4	3.5	3.5
<b>* General data</b>			
Voltage (V)	220-240V~50Hz/1PH		
Rated Current (A)	2.6	4.4	5.8
Fuse Current (A)	7.5	10	16
Maximum Pool Volume**(m <sup>3</sup> )	<20	<30	<40
Minimum and recommended water flow (m <sup>3</sup> /h)	2	2	2.5
Maximum/minimum operating pressure(Mpa)	4.2/0.05		
Water Pressure Drop (Kpa)	15	15	15
Heat exchanger	Titanium exchanger in PVC		
Protection rating	IPX4		
Water Pipe in-out (mm)	38/32		
Noise Level (10m) dB(A)	48	46	46
Noise Level (1m)	57	55	55
Refrigerant Type (R32)	160	290	400
<b>* Dimension/ Weight</b>			
Net Weight (kg)	18	26	30
Gross Weight (kg)	19	28.5	33
Net Dimension (mm)	313*364.5*428.5	435*436.5*511.5	515*487*541.5
Packing Dimension (mm)	380*455*500	496*525*575	570*570*605

\* Above data are subjects to modification without notice.

\*\* Check our packaging or website for more details.

## 2. Transport advertising

### 2.1 Delivery of the packaging



For the transportation, the heat pumps are fixed on the pallet and cover with a cardboard box.

To preserve from any damage, the heat pump must be transferred in its package.

It is the responsibility of the addressee to notify of any damage incurred during delivery within 48 hours. No responsibility can be taken once the unit has been signed for.

### 2.2 Stock advertising



\* The warehouse should be bright, spacious, open, well ventilated, have ventilation equipment and no fire source.

\* Heat pump must be stored and transfer in vertical position in its original packaging. If it is not the case, it cannot be operated until a minimum period of 24H has passed before the unit can have the electrical power turned on.

### FORBIDDEN



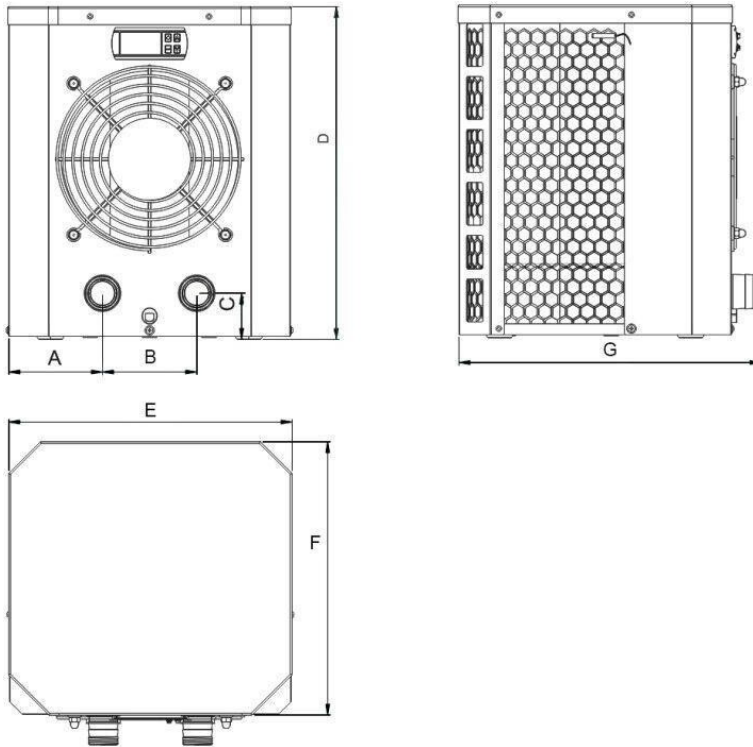
### 2.3 Transfer to the final position

\* During the unpacking of the product and the transfer from the pallet to the final place of installation, it is necessary to maintain the heat pump in a vertical position.

\* Smoking and the use of flames are prohibited near R32 machine.

Water connection are not to be used as load bearing handles. The manufacturer would not take the responsibility in case of damage to the water pipes.

### 3. Dimension



Item / (mm)	A	B	C	D	E	F	G
<b>HPM20</b>	90.4	130	50	428.5	313	300	364.5
<b>HPM30</b>	116.5	200	50	511.5	435	365	436.5
<b>HPM40</b>	134.6	260	50	541.5	515	421	487



## 4. Installation and connection

### Attention:

Please observe the following rules when installing the heat pump:

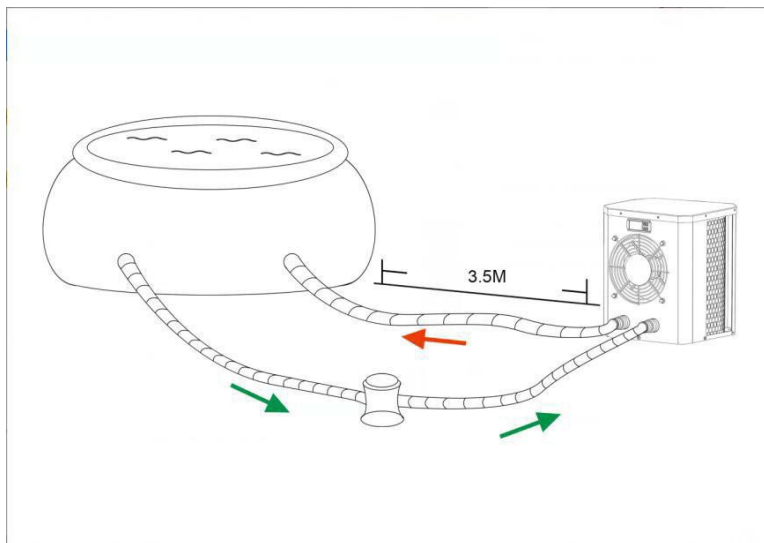
1. Any addition of chemicals must take place in the piping located **downstream** from the heat pump.
2. Always hold the heat pump upright. If the unit has been held at an angle, wait at least 24 hours before applying main power to the heat pump.

### 4.1 Heat pump location

The unit will work properly in any desired location as long as the following three items are present:

- 1. Fresh air** – **2. Electricity** – **3. Swimming pool filters**

The unit may be installed in virtually any **outdoor** location as long as the specified minimum distances to other objects are maintained (see drawing below). Please consult your installer for installation with an indoor pool. Installation in a windy location does not present any problem at all.



**ATTENTION:** Never install the unit in a closed room with a limited air volume in which the air expelled from the unit will be reused, or close to shrubbery that could block the air inlet. Such locations impair the continuous supply of fresh air, resulting in reduced efficiency and possibly preventing sufficient heat output.

### 4.2 Initial operation

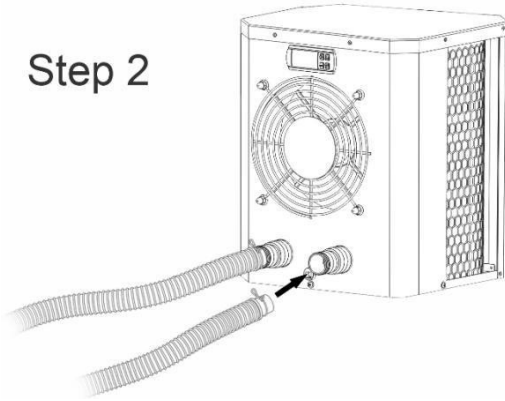
**Note:** In order to heat the water in the pool (or hot tub), the filter pump must be running so as to circulate the water through the heat pump. If the water is not flowing through, the heat pump will trigger the overheat protection and cause a shut down.

### 4.3 Hose connection

Step 1



Step 2



#### Note:

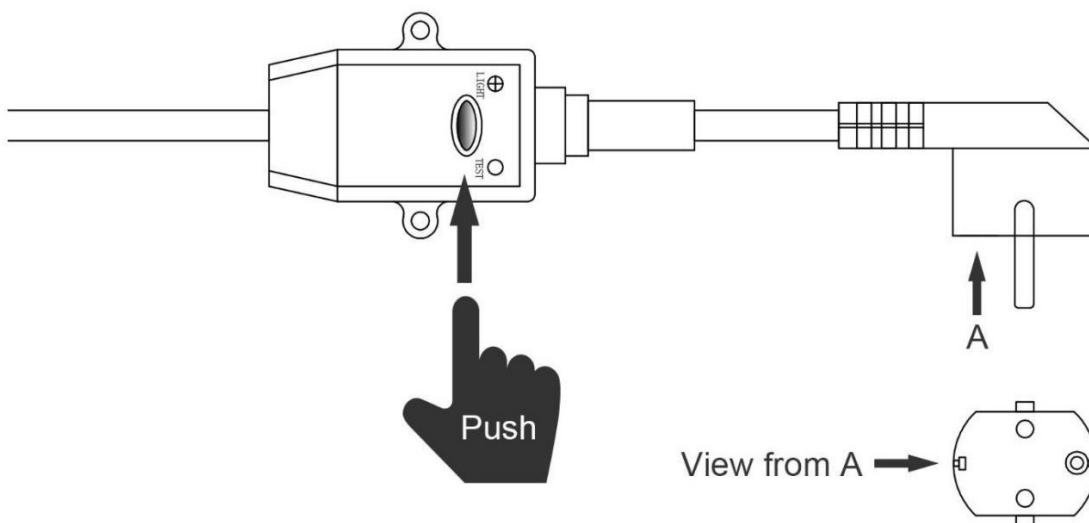
The factory supplies only the heat pump. All other components, including two hoses, must be provided by the user or the installer.

### 4.4 Electrical connection

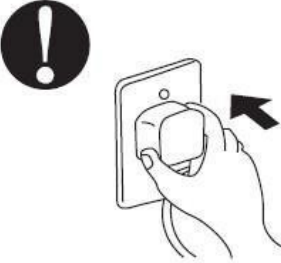
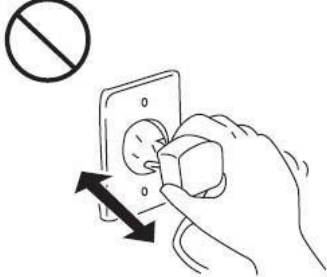
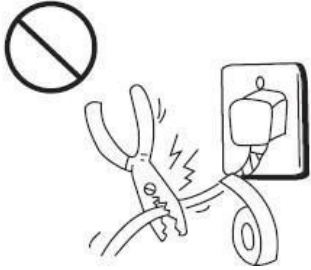
Before connecting the unit, verify that the supply voltage matches the operating voltage of the heat pump.

The RCD plug has been included with power cable, which can offer electrical protection.


The test button is for checking the capability of the circuit breaker.



### **Attention:**

<p><b>Ensure the power plug is secure</b></p> <p>If the plug is not secure, it may cause an electric shock, over-heating or fire</p> 	<p><b>Never pull out the power plug during operation</b></p> <p>Otherwise, it may cause an electric shock or a fire due to over-heating.</p> 	<p><b>Never use damaged electric wires or unspecified electric wires.</b></p> <p>Otherwise it may cause an electric shock or a fire.</p> 
--	--	--

After all connections have been made and checked, carry out the following procedure:

1. Switch on the filter pump. Check for leaks and verify that water is flowing from and to the swimming pool.
2. Connect power to the heat pump and press the On/Off button  on the electronic control panel. The unit will start up after the time delay expires (see below).
3. After a few minutes, check whether the air blowing out of the unit is cooler.
4. When the filter pump is turned off, the unit should also turn off automatically.
5. Allow the heat pump and the filter pump to run 24 hours a day until the desired water temperature is reached. The heat pump will stop running at this point. After this, it will restart automatically (as long as the filter pump is running) whenever the swimming pool water temperature drops 2 degrees below the set temperature (for example, if you set the temperature 28 °C, the heat pump will stop when the temperature at 28°C. While it will restart when the temperature of the water down to 26°C).

Depending on the initial temperature of the water in the swimming pool and the air temperature, it may take several days to heat the water to the desired temperature. A good swimming pool cover can dramatically reduce the required length of time.

**Time delay** - The heat pump has a built-in 3-minute start-up delay to protect the circuitry and avoid excessive electrical contactor wear. The unit will restart automatically after this time delay expires. Even a brief power interruption will trigger this time delay and prevent the unit from restarting immediately. Additional power interruptions during this delay period do not affect the 3-minute duration of the delay.

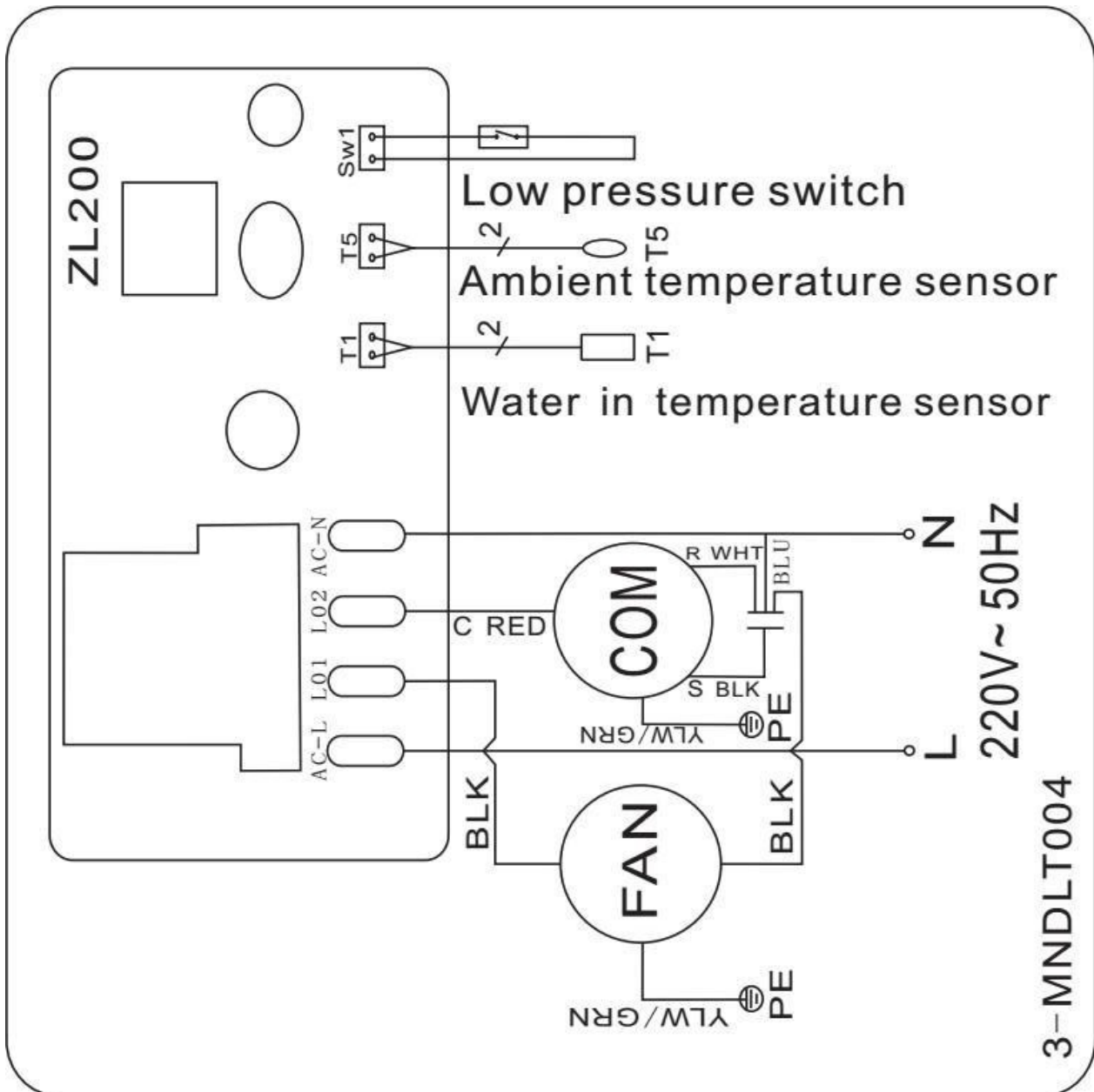
#### **4.5 Condensation**

The air drawn into the heat pump is cooled by the operation of the heat pump for heating the pool water, which may cause condensation on the fins of the evaporator. The amount of condensation may be as much as several liters per hour at high humidity. The condensate will drain from the bottom of the heat pump. This is sometimes mistakenly regarded as a water leak.

## 5. Electrical wiring

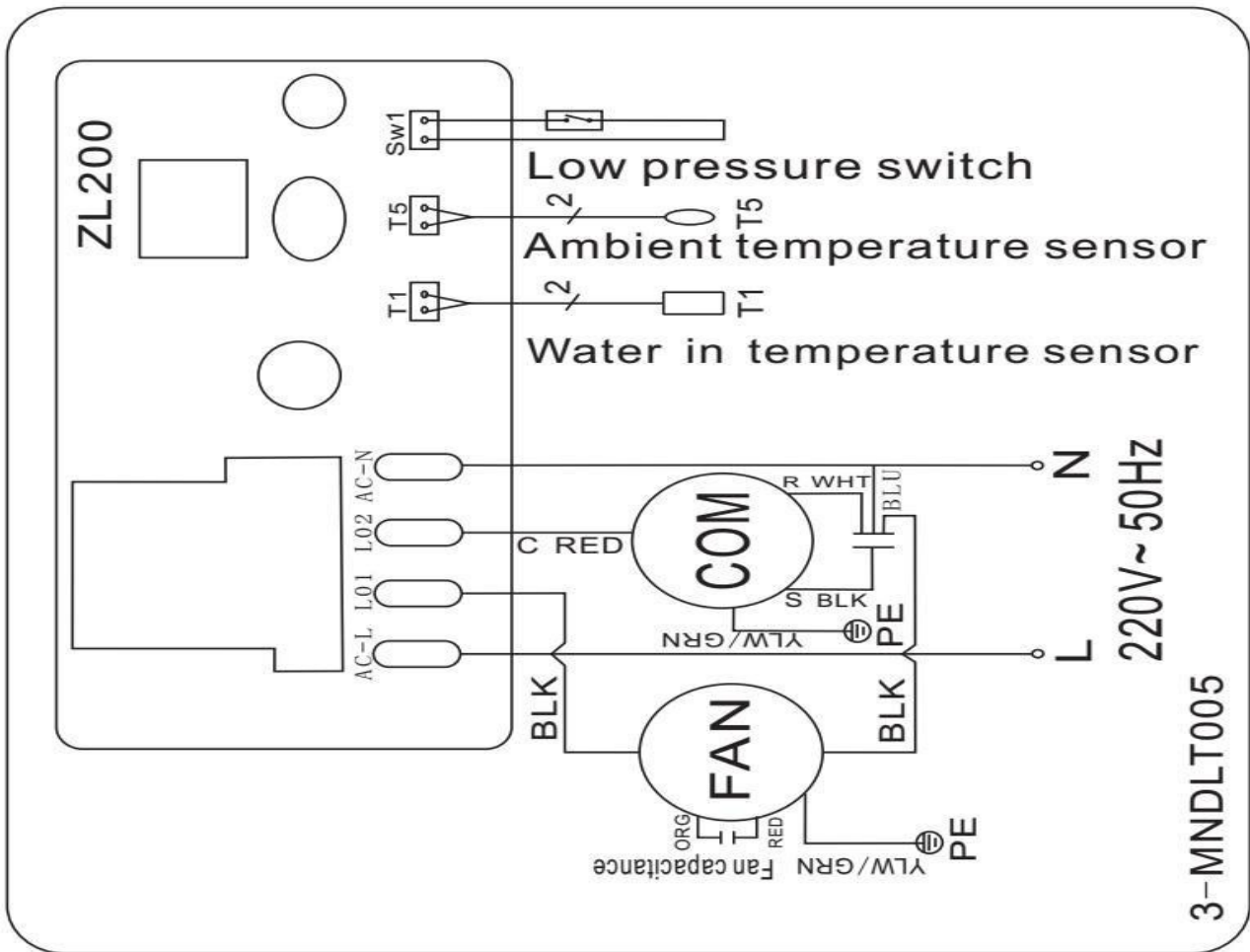
### 5.1 Swimming pool heat pump wiring diagram

Code; HPM20



## 5.2 Swimming pool heat pump wiring diagram

Code; HPM30/HPM40



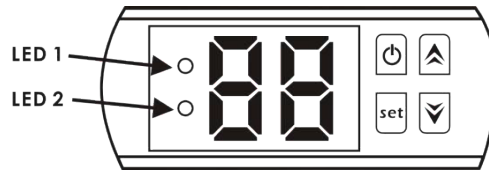
### NOTE:

- (1) Above electrical wiring diagram only for your reference, please subject machine posted the wiring diagram.
- (2) The swimming pool heat pump must be connected ground wire, although the unit heat exchanger is electrically isolated from the rest of the unit. Grounding the unit is still required to protect you against short circuits inside the unit. Bonding is also required.

**Disconnect:** A means to disconnect should be located within sight of and readily accessible from the unit (circuit breaker, fused or un-fused switch). This is common practice on commercial and residential heat pumps. It prevents remotely-energizing unattended equipment and permits turning off power at the unit while the unit is being serviced.

## 6. Display controller operation

### 6.1 The buttons of LED wire controller





**When the heat pump is running, the LED display shows the water inlet temperature.**

LED 1 is on when compressor is running.



LED 2 is on if the unit is in fault.



### 6.2 Turn on/off the heat pump

Press  to turn on the heat pump, the LED display shows the water setting temperature for 5s, then show water inlet temperature.

Press  again to turn off the heat pump.

### 6.3 Set the water temperature

Press  or  directly to adjust water temperature (range: 10–42 °C)

Press  or  to save the setting then exit.

NOTE: the heat pump can run only if the water circle/filtration system is running.

### 6.4 Parameter checking

Press , it will enter the parameter checking, Press  or  to choose the code d0/d1, press  again, it will show the measured value. Lastly press  to exit.

Code	Parameter
d0	Ambient temperature
d1	Water temperature

**Notice: It can't set the Parameter data by end-users.**

## 7. Trouble shooting

### 7.1 Error code on the LEDcontroller

Malfunction	Code	Reason	Solution
Too low ambient temperature protection	P0	1. Ambient temperature is below 12 °C 2. Controller failure.	1. Wait until the ambient temperature rises to 13 °C.  2. Replace the new controller.
Water temperature sensor failure	P1	Water temperature sensor open circuit or short circuit.	Replace the new water temperature sensor.
Ambient temperature sensor failure	P2	Ambient temperature sensor open circuit or short circuit.	Replace the new ambient temperature sensor.
Low pressure protection	EL	1. Low pressure switch disconnected or failure.  2. Gas leakage.	It must be repaired by the professional technicians.

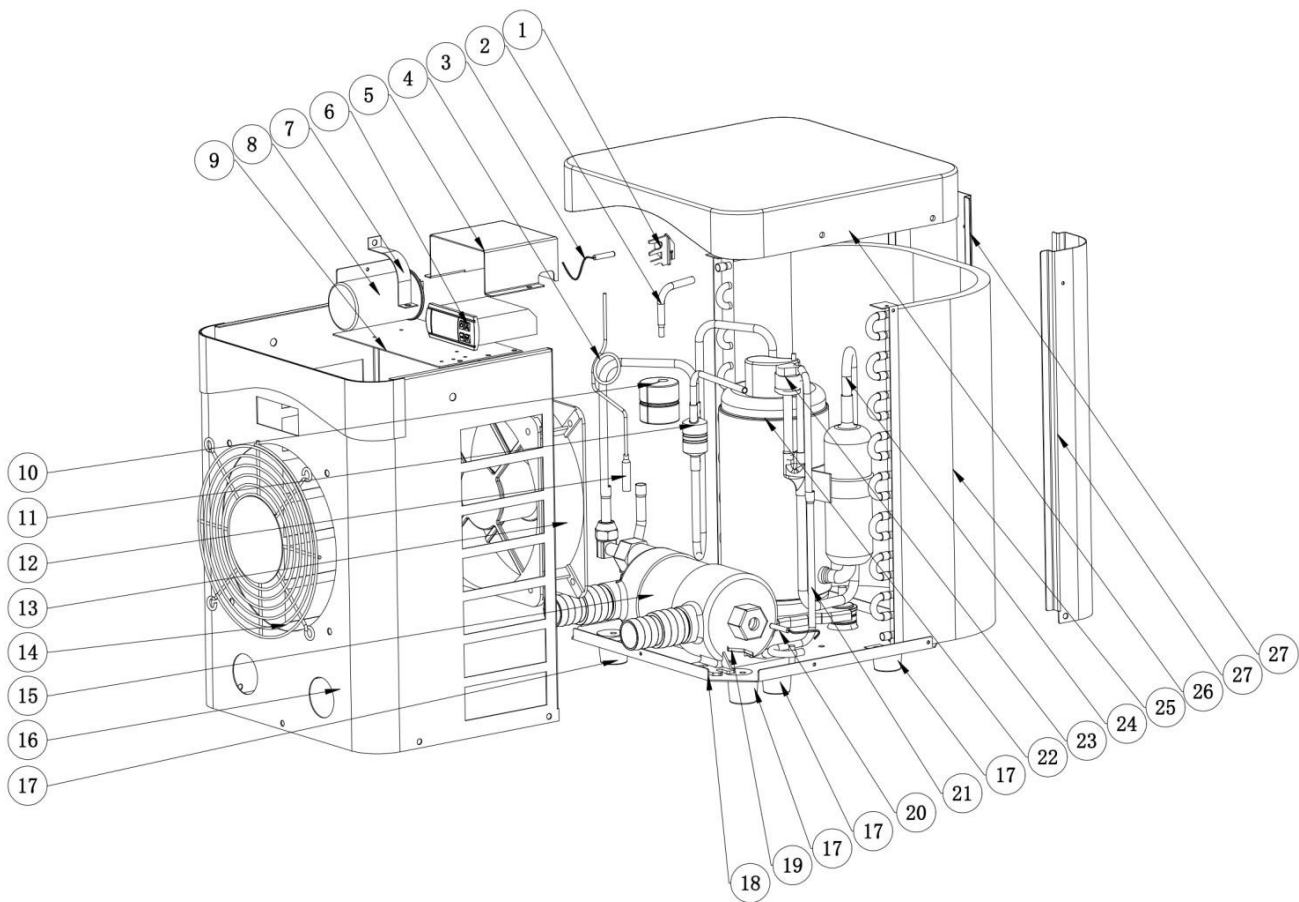
## 7.2 Other Malfunctions and Solutions (No display on LED wire controller)

Malfunctions	Observing	Reason	Solution
Heat pump is not running	LED wire controller no display.	No power supply.	Check cable and circuit breaker if it is connected.
	LED wire controller displays the actual water temperature.	1. Water temperature is reaching to setting value, HP under constant temperature status. 2. Heat pump just starts to run.	1. Verify water temperature setting. 2. Startup heat pump after a few minutes.
Short running	LED displays actual water temperature, no error code displays.	1. Fan NOT running. 2. Air ventilation is not enough. 3. Refrigerant is not enough.	1. Check the cable connections between the motor and fan, if necessary, it should be replaced. 2. Check the location of heat pump unit and eliminate all obstacles to make good air ventilation. 3. Replace or repair the heat pump unit. It must be repaired by a professional technician.
Water stains	Water stains on heat pump unit.	1. Concreting. 2. Water leakage.	1. No action. 2. Check the titanium heat exchanger carefully if it is any defect.



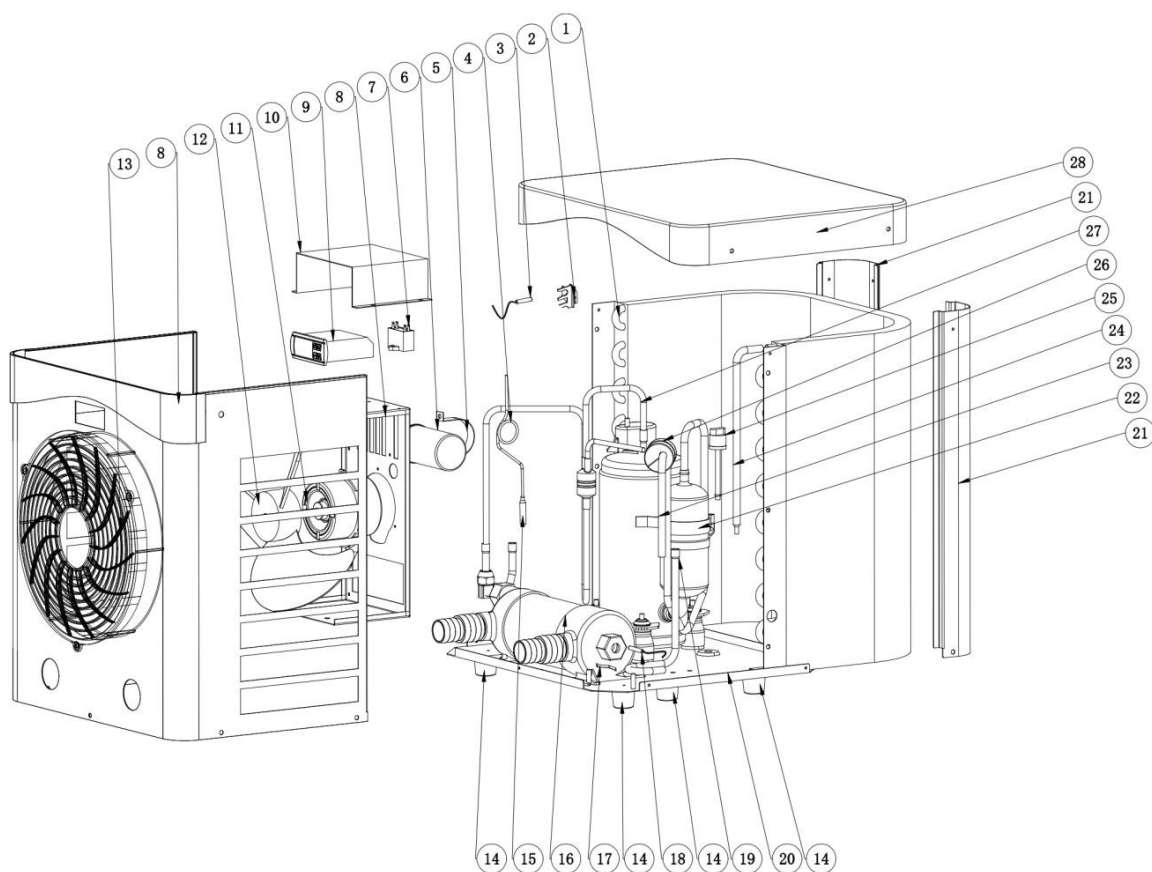
## 8. Exploded diagram

Unit: HPM20



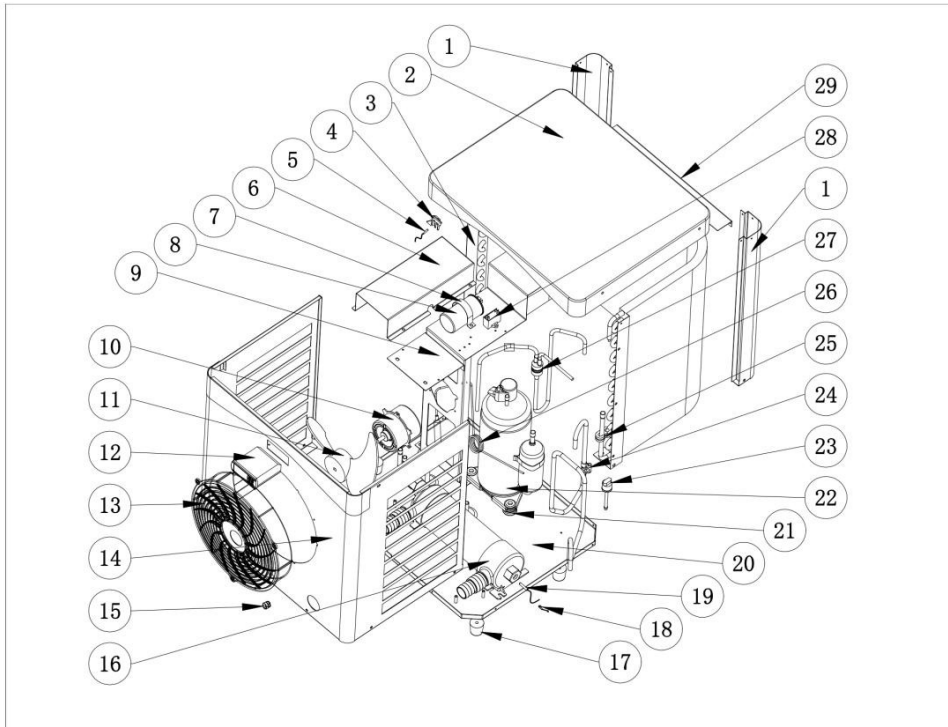
No	Spare parts	HPM20	No	Spare parts	HPM20
1	Ambient temp. Sensor Clip	102040891	15	Titanium exchanger	102040891
2	Copper pipe	108680047	16	Front panel	108680047
3	Ambient temp. Sensor T5	136020168	17	Rubber feet	136020168
4	Capillary	108680045	18	Base	108680045
5	Electric box	108010025	19	Clip	108010025
6	Controller	117110068	20	Water in temp. Sensor T1	117110068
7	Compressor capacitance Clip	113050123	21	Gas collecting pipe	113050123
8	Compressor capacitance	101000233	22	Compressor	101000233
9	Fan motor top plate	116000091	23	Low pressure switch	116000091
10	Shockproof rubber hammer	113010300	24	Exhaust pipe	113010300
11	Gas return piping	103000236	25	Evaporator	103000236
12	Copper pipe	133400001	26	Top cover	133400001
13	Fan motor assembly	108680046	27	Pillar	108680046
14	Front grill				

**Unit: HPM30**



No.	Spare parts	HPM30	No.	Spare parts	HPM30
1	Evaporator	103000237	15	Copper pipe	113100027
2	Ambient temp. Sensor Clip	133020010	16	Titanium exchanger	102040900
3	Ambient temp. Sensor T5	117110079	17	Clip	108010025
4	Capillary	109000038	18	Water in temp. Sensor T1	117110068
5	Compressor capacitance	108010006	19	Gas collecting pipe	113050125
6	Compressor capacitance	111000011	20	Base	108690033
7	Fan capacitor	111000034	21	Pillar	108690048
8	Front panel assemble	108690047	22	Compressor	101000232
9	Controller	117020189	23	Gas return piping	113020467
10	Electric box	108690015	24	Copper pipe	113420129
11	Fan motor	112000054	25	Low pressure switch	116000091
12	Fan blade	132000024	26	Shockproof rubber	136020026
13	Front grill	133020052	27	Exhaust pipe	113010351
14	Rubber feet	136020168	28	Top cover	133330004

**Unit: HPM40**



No.	Spare parts	HPM40	No.	Spare parts	HPM40
1	Pillar	108950009	16	Titanium exchanger	117020363
2	Top cover	133440001	17	Rubber feet	136020168
3	Evaporator	103000343	18	Exchanger temperature	108010025
4	Ambient temp. sensor	133020010	19	Water in temp. Sensor T1	117110068
5	Water in temp. Sensor T1	117110068	20	Base	108950007
6	Electric box	108950006	21	Compressor rubber feet	101000241
7	Compressor capacitance	108010006	22	Compressor	101000241
8	Compressor capacitance	111000012	23	Low pressure switch	116000091
9	Fan motor bracket	108950010	24	Gas return piping	113020602
10	Fan motor	112000079	25	Rubber block	136020018
11	Fan blade	132000024	26	Capillary	109000038
12	Controller	117020302	27	Exhaust pipe	113020624
13	Front grill	133020052	28	Fan capacitor	111000034
14	Front panel assemble	108950008	29	Motor bracket support	108950011
15	Power cord buckle	142000126			

## 9. Maintenance

(1) You should check the water supply system regularly to avoid the air entering the system and creation of low water flow, because it would reduce the performance and reliability of HP unit.

(2) Clean your pools and filtration system regularly to avoid the damage of the unit.

(3) Please always empty the water in heat pump during winter time or when the ambient temperature drops below  $0^{\circ}\text{C}$ , or else the Titanium exchanger will be damaged because of being frozen, in such case, your warranty will be lost.

(4) Check the water levels before the unit starts after a long break in usage.

(5) When the unit is running, there will be condensate water discharging from the bottom of the unit. This is normal.

## 10. Accessories



## **EN - GUARANTEE CERTIFICATE 1**

### **GENERAL TERMS**

- 1.1 In accordance with these provisions, the seller guarantees that the product corresponding to this guarantee ("the Product") is in perfect condition at the time of delivery.
- 1.2 The Guarantee Term for the Product is two (2) years from the time it is delivered to the purchaser.
- 1.3 In the event of any defect in the Product that is notified by the purchaser to the seller during the Guarantee Term, the seller will be obliged to repair or replace the Product, at his own cost and wherever he deems suitable, unless this is impossible or unreasonable.
- 1.4 If it is not possible to repair or replace the Product, the purchaser may ask for a proportional reduction in the price or, if the defect is sufficiently significant, the termination of the sales contract.
- 1.5 The replaced or repaired parts under this guarantee, will not extend the guarantee period of the original Product, but will have a separate guarantee.
- 1.6 In order for this guarantee to come into effect, the purchaser must provide proof of the date of purchase and delivery of the Product.
- 1.7 If, after six months from the delivery of the Product to the purchaser, he notifies a defect in the Product, the purchaser must provide proof of the origin and existence of the alleged defect.
- 1.8 This Guarantee Certificate is issued without prejudice to the rights corresponding to consumers under national regulations.


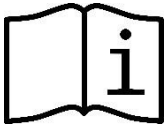
### **2 INDIVIDUAL TERMS**

- 2.1 This guarantee covers the products referred to in this manual.
- 2.2 This Guarantee Certificate will only be applicable in European Union countries.
- 2.3 For this guarantee to be effective, the purchaser must strictly follow the Manufacturer's instructions included in the documentation provided with the Product, in cases where it is applicable according to the range and model of the Product.
- 2.4 When a time schedule is specified for the replacement, maintenance or cleaning of certain parts or components of the Product, the guarantee will only be valid if this time schedule has been followed.

### **3 LIMITATIONS**

- 3.1 This guarantee will only be applicable to sales made to consumers, understanding by "consumer", a person who purchases the Product for purposes not related to his professional activities.
- 3.2 The normal wear resulting from using the product is not guaranteed. With respect to expendable or consumable parts, components and/or materials, such as batteries, light bulbs, etc. the stipulations in the documentation provided with the Product, will apply.
- 3.3 The guarantee does not cover those cases when the Product; (I) has been handled incorrectly; (II) has been repaired, serviced or handled by non- authorised people or (III) has been repaired or serviced not using original parts. In cases where the defect of the Product is a result of incorrect installation or start-up, this guarantee will only apply when said installation or start-up is included in the sales contract of the Product and has been conducted by the seller or under his responsibility.

## **ADVERTENCIAS**

	<b>Este símbolo indica que hay más información disponible en el Manual de usuario o en el Manual de instalación.</b>		<b>Este símbolo indica que el aparato utiliza R32, un refrigerante con baja velocidad de combustión.</b>
	<b>Este símbolo indica que hay que leer con atención el Manual de usuario.</b>		<b>Este símbolo indica que el técnico de mantenimiento debe manipular el equipo de acuerdo con el Manual de usuario.</b>

### **ADVERTENCIAS GENERALES**

- El incumplimiento de las advertencias podría deteriorar el equipo de la piscina o provocar heridas graves, incluso la muerte.
- Solo una persona cualificada en los ámbitos técnicos concernidos (electricidad, hidráulico o frigorífico) está habilitada para realizar tareas de mantenimiento o de reparación de este aparato. El técnico cualificado que intervenga sobre el aparato deberá utilizar/llevar un equipo de protección individual adecuado (gafas de seguridad, guantes, etc.) para reducir el riesgo de lesiones que pudieran producirse durante dicha intervención.
- Antes de realizar cualquier intervención en el aparato, asegúrese de que está apagado y desconectado de la red eléctrica.
- Este aparato no debe ser utilizado por personas (incluidos niños mayores de 8 años) con una discapacidad física, sensorial o mental o que no dispongan de la experiencia y el conocimiento adecuados, salvo si se utiliza bajo la supervisión o las instrucciones de una persona responsable de su seguridad y si conocen los riesgos a los que se exponen.
- Los niños deben estar vigilados en todo momento para asegurarse de que no jueguen con el aparato.
- La instalación del aparato debe ser realizada de acuerdo con las instrucciones del fabricante y cumpliendo las normas locales vigentes. El instalador es responsable de la instalación del aparato y del cumplimiento de las normativas nacionales de instalación. En ningún caso el fabricante será responsable del incumplimiento de las normas de instalación locales en vigor.
- Para cualquier acción que no se corresponda con el mantenimiento simple a cargo del usuario descrito en el presente manual, se deberá recurrir a un técnico cualificado.
- Una instalación y/o un uso incorrectos pueden ocasionar daños materiales o provocar lesiones corporales graves, incluso la muerte.
- En caso de mal funcionamiento del equipo: no intente repararlo usted mismo y contacte con un técnico cualificado.
- Cualquier desactivación, la eliminación o elusión de uno de los elementos de seguridad incluidos en el aparato anulará automáticamente la garantía, así como el uso de piezas de recambio no originales, procedentes de fabricantes no autorizados.
- No pulverice insecticida ni ningún otro producto químico (inflamable o no inflamable) sobre el aparato, ya que podría deteriorar la carrocería y provocar un incendio.
- No toque el ventilador ni las piezas móviles y no introduzca ninguna varilla ni los dedos a través de la rejilla durante el funcionamiento del mismo. Las piezas móviles pueden provocar lesiones e incluso la muerte.

### **AVERTISSEMENTS LIÉS À DES APPAREILS ÉLECTRIQUES**

- La alimentación eléctrica del aparato se debe proteger mediante un dispositivo de corriente diferencial residual (DDR) de 30 mA, de acuerdo con las normas vigentes en el país de instalación.
- No utilice alargaderas para conectar el aparato a la red eléctrica; conéctelo directamente a un enchufe mural adaptado.
- Antes de cualquier operación, compruebe que:
  - La tensión indicada en el aparato corresponde con la de la red.
  - La red de alimentación eléctrica es adecuada para el uso del aparato y cuenta con una toma de tierra.
  - El enchufe se adapta a la toma de corriente.
- No desconecte y vuelva a conectar el aparato en funcionamiento.
- No tire del cable de alimentación para desenchufarlo.
- Si el cable de alimentación está deteriorado, deberá ser reemplazado por el fabricante, su agente de mantenimiento o un técnico cualificado para evitar eventuales riesgos.
- No realice ninguna intervención de limpieza o de mantenimiento del aparato con las manos mojadas o si el aparato está húmedo.
- Antes de conectar la unidad a la fuente de alimentación, verifique que el bloque de terminales o la toma de corriente a la que se conectará la unidad estén en buenas condiciones y no estén dañados ni oxidados.
- En caso de tormenta, desconecte el aparato de la red para evitar que sea dañado por un rayo.
- No sumerja el aparato en agua ni en barro ; mantenga el disyuntor alejado del agua

### **ADVERTENCIAS RELACIONADAS CON LOS APARATOS QUE CONTIENEN REFRIGERANTE R32**

- Este aparato contiene refrigerante R32, de categoría A2L y potencialmente inflamable.
- No descargar el fluido R32 en la atmósfera, ya que es un gas fluorado de efecto invernadero, cubierto por el protocolo de Kioto, con potencial de calentamiento global (GWP) = 675 (ver directiva europea UE 517/2014).
- El aparato se debe almacenar en un lugar bien ventilado, lejos de cualquier fuente de llama.
- Instale el aparato en el exterior. No instale el aparato en el interior ni en un lugar cerrado y sin ventilación natural.
- No emplee métodos de aceleración del proceso de deshielo o de limpieza no recomendados por el fabricante.
- El aparato se debe almacenar en un lugar alejado de toda fuente constante de ignición (p. ej.: llamas abiertas, aparato de gas encendido o calefacción eléctrica encendida).
- No perforar ni incinerar el aparato.
- El refrigerante R32 puede soltar cierto olor.
- Para cumplir con las normas y los reglamentos en materia ambiental y de instalación, en concreto el Decreto n.º 2015-1790 y/o el Reglamento UE 517/2014, se debe realizar una prueba de fugas en el circuito de refrigeración al menos una vez al año. Esta operación debe ser realizada por un especialista certificado en aparatos de refrigeración.
- Mantenga el controlador de pantalla en un lugar seco para protegerlo de que se dañe por la humedad

### **MANTENIMIENTO: ADVERTENCIAS RELACIONADAS CON LOS APARATOS QUE CONTIENEN REFRIGERANTE R32**

- Durante la limpieza del aparato, hay que controlar la composición y el estado del fluido térmico, así como la ausencia de restos de refrigerante.
- Durante el control anual de estanqueidad del aparato, según la normativa vigente, se debe comprobar que los presostatos de alta y baja presión están bien conectados al circuito frigorífico y que cortan el circuito eléctrico en caso de dispararse.
- Durante el mantenimiento, compruebe que no hay restos de corrosión ni manchas de aceite alrededor de los componentes refrigerantes.
- No suelde ni suelde la tubería si hay refrigerante dentro de la máquina. No cargue el gas cuando se

encuentre en un espacio confinado.

#### ***Verificación de la zona***

- Antes de comenzar a trabajar en sistemas que contienen refrigerantes inflamables, es necesario realizar controles de seguridad para reducir el riesgo de ignición.

#### ***Protocolo de trabajo***

- El trabajo se debe realizar siguiendo un protocolo controlado para reducir el riesgo de liberación de gases o vapores inflamables durante el trabajo.
- Antes de cualquier intervención en el circuito refrigerante, hay que parar obligatoriamente el aparato y esperar unos minutos antes de colocar los sensores de temperatura o de presión; algunos equipos, como el compresor y las tuberías, pueden alcanzar temperaturas superiores a 100°C y presiones elevadas que pueden provocar quemaduras graves.

#### ***Zona general de trabajo***

- Todo el personal de mantenimiento y el resto de personas que trabajan en la zona aledaña deberán ser informados del trabajo realizado. Se debe evitar trabajar en espacios confinados.

#### ***Verificación de la presencia de refrigerante***

- El área debe ser revisada por un detector de refrigerante apropiado antes y durante los trabajos para poder informar al técnico de la presencia de una atmósfera potencialmente tóxica o inflamable. Asegúrese de que el equipo de detección de fugas utilizado se adapte al uso de todos los refrigerantes concernidos, es decir, que no pueda provocar chispas, esté bien aislado o sea totalmente seguro.

#### ***Presencia de un extintor***

- Para toda intervención en el equipo de refrigeración o en cualquier componente que requiera cierta temperatura, habrá que tener siempre a mano un equipo de extinción de incendios apropiado. Instale un extintor de polvo o CO<sub>2</sub> cerca de la zona de trabajo.

#### ***Ausencia de fuente de ignición***

- Toda persona que intervenga en un sistema de refrigeración y tenga que poner al descubierto los tubos deberá evitar el uso de fuentes de ignición que puedan suponer un riesgo de incendio o de explosión. Todas las fuentes de ignición, incluido un cigarrillo, deben mantenerse a una distancia segura de la zona de instalación, reparación, extracción o eliminación cuando el refrigerante pueda llegar a ser liberado en el área aledaña. Antes de realizar cualquier intervención, hay que examinar el área circundante al equipo para asegurarse de que no haya peligro de incendios o chispas. Se deben colocar carteles de "Prohibido fumar".

#### ***Ventilación de la zona***

- Antes de acceder para cualquier tarea de mantenimiento, asegúrese de que la zona esté abierta y bien ventilada. Se debe mantener una ventilación adecuada que permita la dispersión segura de cualquier refrigerante eventualmente liberado a la atmósfera durante las tareas de mantenimiento del aparato.

#### ***Verificación del equipo de refrigeración***

- Se deben seguir siempre las recomendaciones de mantenimiento y de limpieza del fabricante. Cuando reemplace componentes eléctricos, asegúrese de usar solo componentes del mismo tipo y categoría que estén recomendados o autorizados por el fabricante. En caso de duda, consulte con el servicio técnico del fabricante.
- En instalaciones que utilizan refrigerantes inflamables se deben realizar las siguientes verificaciones:
  - las marcas en el equipo deben permanecer visibles y legibles y hay que corregir toda marca o señal ilegible
  - los tubos o componentes del circuito frigorífico se suelen colocar en lugares poco expuestos a sustancias que puedan corroer los componentes que contienen refrigerante, salvo si los componentes estén fabricados con materiales resistentes a la corrosión o adecuadamente protegidos contra la corrosión.

#### ***Verificación de los componentes eléctricos***

- La reparación y el mantenimiento de componentes eléctricos deben incluir controles de seguridad iniciales y



procedimientos de inspección de los componentes. En caso de fallo susceptible de comprometer la seguridad, no se debe conectar una fuente de alimentación al circuito hasta la resolución total del problema. Si no se puede subsanar dicho fallo de inmediato, pero hay que proseguir con el trabajo, se deberá hallar una solución temporal apropiada y comunicar al propietario del equipo esta situación para que todos los interesados sean informados de ello.

- La reparación y el mantenimiento de componentes eléctricos deben incluir los siguientes controles de seguridad iniciales:
  - condensadores descargados: hacerlo de manera segura para evitar cualquier riesgo de ignición
  - no exponer ningún componente eléctrico ni cableado eléctrico durante la carga, la reparación o la purga del sistema
  - mantener en todo momento la conexión a tierra.

#### ***Reparación de los componentes aislados***

- Para las reparaciones de componentes aislados, todas las fuentes de alimentación eléctrica se deben desconectar del equipo intervenido antes de retirar la cubierta, etc. Si el equipo debe seguir conectado a la red eléctrica durante el mantenimiento, habrá que instalar un detector de fugas que funcione permanentemente en el punto más crítico para que informe de cualquier situación potencialmente peligrosa.
- Para garantizar que al trabajar con componentes eléctricos la caja no se vea afectada y se reduzca el nivel de protección, se debe prestar especial atención a los siguientes puntos: cables dañados, número excesivo de conexiones, terminales que no cumplen con los requisitos originales, juntas deterioradas, instalación incorrecta de los prensaestopas, etc.
- Compruebe que el aparato esté correctamente fijado.
- Asegúrese de que las juntas o los materiales aislantes no se hayan deteriorado hasta el punto de que no puedan proteger el circuito ante una concentración de atmósfera inflamable. Las piezas de repuesto deben cumplir siempre con las especificaciones del fabricante.

#### ***Reparación de componentes intrínsecamente seguros***

- No aplique ninguna carga por inducción o eléctrica continua al circuito sin antes haberse asegurado de que no exceda el voltaje y la intensidad permitidos para el equipo en cuestión.
- Los componentes normalmente seguros son los únicos en los que se puede trabajar si están bajo tensión en presencia de una atmósfera inflamable. El aparato de prueba debe ser de la clase apropiada.  
Reemplace los componentes solo con piezas especificadas por el fabricante. De lo contrario, otras piezas podrían encender el refrigerante en la atmósfera en caso de fugas.

#### ***Cableado***

- Verifique que el cableado no presente desgaste, corrosión o esté expuesto a presión excesiva, vibración, bordes cortantes u otros efectos ambientales adversos. Se debe controlar asimismo los efectos del envejecimiento o de las vibraciones continuas causadas por fuentes como compresores o ventiladores.

#### ***Detección de fluido refrigerante inflamable***

- No se deben utilizar en ningún caso fuentes potenciales de ignición para la búsqueda o detección de fugas de refrigerante. No se deben utilizar lámparas de haluro ni cualquier otro detector de llama abierta.
- Los siguientes métodos de detección de fugas se consideran aceptables para todos los sistemas de refrigeración.
- Se pueden emplear detectores electrónicos de fugas para detectar fugas de refrigerante. No obstante, en el caso de refrigerantes inflamables, la sensibilidad puede no ser adecuada o puede requerir un reajuste. (El equipo de detección se debe calibrar en un lugar libre de cualquier refrigerante). Asegúrese de que el detector no sea una fuente potencial de ignición y que sea adecuado para el refrigerante utilizado. El equipo de detección de fugas se debe ajustar a un porcentaje del LFL del refrigerante y se debe calibrar en función del refrigerante empleado. Se debe confirmar el porcentaje de gas apropiado (25 % máximo).
- Los fluidos de detección de fugas también se adaptan para la mayoría de los refrigerantes, pero hay que evitar utilizar detergentes que contengan cloro, ya que pueden reaccionar con el refrigerante y corroer los tubos de cobre.
- En caso de sospecha de fuga, habrá que eliminar o extinguir todas las llamas desnudas.

- Si se detecta una fuga de refrigerante y se requiere una intervención de soldadura, habrá que retirar todo el refrigerante del sistema o aislarlo (mediante las válvulas de cierre) en una parte del sistema alejado de dicha fuga.

#### ***Retirada y evacuación***

- Para acceder al circuito de refrigerante en caso de reparaciones o por cualquier otro motivo, hay que seguir los procedimientos estandarizados. Sin embargo, para refrigerantes inflamables se deben respetar escrupulosamente las recomendaciones específicas, a saber:
  - retirar el refrigerante
  - purgar el circuito con un gas inerte (opcional para A2L)
  - evacuar (opcional para A2L)
  - purgar con un gas inerte (opcional para A2L)
  - abrir el circuito mediante corte o soldadura.
- El refrigerante se debe recuperar en las botellas de recuperación apropiadas. Para los aparatos que contienen refrigerantes inflamables que no sean refrigerantes A2L, el sistema se debe purgar con nitrógeno sin oxígeno para adecuar el aparato a refrigerantes inflamables. Puede ser necesario repetir este proceso varias veces. No se debe usar aire comprimido ni oxígeno para purgar los sistemas de refrigeración.

#### ***Protocolo de carga***

- Asegúrese de que la salida de la bomba de vacío no esté cerca de ninguna fuente potencial de ignición y que haya una ventilación adecuada.
- Además de los procedimientos de carga habituales, se deben respetar los siguientes requisitos:
- Asegúrese de que no haya posibilidad alguna de contaminación entre diferentes refrigerantes al usar un equipo de carga. Las mangueras o líneas deben ser lo más cortas posible para reducir la cantidad de refrigerante que contienen.
- Las botellas deben mantenerse en una posición adecuada según las instrucciones.
- Asegúrese de que el sistema de refrigeración esté conectado a tierra antes de cargarlo con refrigerante.
- Etiquete el sistema una vez cargarlo (si no se ha hecho antes).
- Tenga mucho cuidado de no llenar en exceso el sistema de refrigeración.
- Antes de volver a cargar el sistema, hay que realizar una prueba de presión con el gas de purga adecuado. Se debe examinar el sistema para detectar fugas al final de cada carga, pero antes de la puesta en marcha. Antes de abandonar la instalación, hay que realizar una prueba de control de fugas.

#### ***Desmantelamiento***

- Antes de cualquier desmantelamiento, es fundamental que el técnico esté familiarizado con el equipo y sus características. Se recomienda en particular recuperar todos los refrigerantes. Antes de llevar a cabo esta tarea, hay que recuperar una muestra de aceite y de refrigerante para eventuales pruebas necesarias antes de emplear el refrigerante recuperado. Antes de comenzar la tarea, es fundamental verificar la presencia de alimentación eléctrica.
  1. Familiarícese con el equipo y su funcionamiento.
  2. Aísle eléctricamente el sistema.
  3. Antes de comenzar, asegúrese de que:
    - el equipo de manipulación mecánica esté disponible (en caso necesario) para mover las botellas de refrigerante
    - todo el equipo de protección individual esté disponible y se use correctamente
    - el proceso de recuperación esté supervisado en todo momento por una persona cualificada
    - el equipo y las botellas de recuperación cumplan con las normas aplicables en vigor.
  4. Evacúe el sistema de refrigeración si es posible.
  5. Si no se puede crear vacío, instale un colector para retirar el refrigerante desde varios lugares del sistema.
  6. Asegúrese de que la botella esté bien colocada en la balanza antes de comenzar la recuperación de refrigerante.
  7. Ponga en marcha la máquina de recuperación y utilícela siguiendo las instrucciones.
  8. No cargue en exceso las botellas (no más del 80 % del volumen de carga líquida).
  9. No supere la presión máxima de trabajo de la botella, ni siquiera temporalmente.

10. Una vez las botellas correctamente llenadas y el proceso completado, asegúrese de que se retiren rápidamente las botellas y el equipo de la instalación y que las válvulas de aislamiento alternativas en el equipo estén cerradas.
11. El refrigerante recuperado no se debe utilizar en otro sistema de refrigeración a menos que haya sido limpiado y verificado.

### **REPARACIÓN**

- Todas las intervenciones de soldadura deberán ser realizadas por soldadores cualificados.
- La sustitución de tuberías solo se debe realizar con tubo de cobre según la norma francesa NF EN 12735-1.
- Detección de fugas, como en el caso de la prueba bajo presión:
  - no utilice nunca oxígeno ni aire seco, debido al riesgo de incendio o de explosión,
  - utilice nitrógeno deshidratado o una mezcla de nitrógeno y de refrigerante indicada en la placa descriptiva,
  - si el aparato dispone de un manómetro, al medir la presión, la alta no debe superar los 42 bares.
- Para las tuberías del circuito de alta presión realizadas con tubo de cobre con un diámetro  $\phi > 1''5/8$ , debe pedir al proveedor un certificado §2.1 según la norma francesa NF EN 10204 e incluirlo en el informe técnico de la instalación.
- En la placa descriptiva figura la información técnica relativa a las exigencias de seguridad de las distintas directivas aplicadas. Toda esta información debe figurar en las instrucciones de instalación del aparato, incluida en el informe técnico de la instalación: modelo, código número de serie, TS máx. y mín., PS, año de fabricación, marcado CE, dirección del fabricante, refrigerante y peso, parámetros eléctricos, rendimiento termodinámico y acústico.

### **ETIQUETADO**

- El equipo debe estar etiquetado, con la indicación de haber sido desarmado y vaciado de todo el refrigerante.
- La etiqueta debe incluir fecha y firma.
- Para los aparatos que tienen un refrigerante inflamable, asegúrese de que las etiquetas estén pegadas al equipo y que indiquen la presencia de un refrigerante inflamable.

### **RECUPERACIÓN**

- Al vaciar el refrigerante para tareas de mantenimiento o para el desmantelamiento del equipo, conviene seguir las mejores prácticas para vaciar todo el refrigerante de manera segura.
- Al transferir el refrigerante a una botella, asegúrese de emplear una botella de recuperación adaptada a dicho refrigerante. Asegúrese de tener la cantidad correcta de botellas para recuperar todo el líquido. Todas las botellas que se vayan a utilizar deben estar diseñadas para la recuperación de refrigerante y deben estar etiquetadas para ese refrigerante concreto. Las botellas deben llevar una válvula de vacío y válvulas de cierre en buen estado. Las botellas de recuperación vacías se deben evacuar y, si es posible, enfriar antes de la recuperación.
- El equipo de recuperación debe funcionar correctamente, las instrucciones del equipo deben permanecer siempre al alcance del personal y el equipo debe ser el adecuado para el refrigerante en cuestión, incluido, cuando corresponda, el refrigerante inflamable. Además, hay que disponer de un conjunto de balanzas bien calibradas y en buen estado de funcionamiento. Los tubos deben estar completos, sin fugas ni racores desconectados y en buen estado. Antes de utilizar la máquina de recuperación, verifique que esté en buenas condiciones de funcionamiento, que se haya mantenido adecuadamente y que los componentes eléctricos asociados estén sellados para evitar cualquier riesgo de ignición cuando se libera refrigerante. En caso de duda, consulte con el fabricante.
- El refrigerante recuperado se debe devolver al proveedor de refrigerante en su botella de recuperación, junto con una nota de transferencia de residuos. No mezcle distintos refrigerantes en los recipientes de recuperación, sobre todo en las botellas.
- Si se quita el compresor o se purga el aceite del compresor, verifique que se haya vaciado por completo el refrigerante para evitar la mezcla con lubricante. El proceso de vaciado debe realizarse antes de devolver el compresor al proveedor. Solo el calentador eléctrico del cuerpo del compresor se puede emplear para acelerar este proceso. La purga de todos los líquidos de un sistema se debe llevar a cabo de manera segura.



### **Reciclaje**

Este símbolo requerido por la directiva europea RAEE 2012/19/UE (directiva sobre residuos de aparatos eléctricos y electrónicos) significa que no debe tirar a la basura el aparato. Hay que depositarlo en un contenedor adaptado de recogida selectiva para su reutilización, reciclaje o recuperación. Si contiene sustancias potencialmente peligrosas para el medio ambiente, estas deberán ser eliminadas o neutralizadas. Consulte con su distribuidor las modalidades de reciclaje.

# MINI HEATER

## Manual de usuario y servicio

### INDEX

1. Especificaciones
2. Consejos de transporte
3. Dimensiones
4. Instalación y conexión
5. Cableado eléctrico
6. Funcionamiento del controlador
7. Solución de problemas
8. Diagrama explosionado
9. Mantenimiento
10. Accesorios

Gracias por usar la bomba de calor de piscina Mini Heater para su calefacción de piscina, calentará su agua de la piscina y mantendrá la temperatura constante cuando la temperatura ambiente del aire sea superior 12°C.



**ATENCIÓN:** Este manual contiene toda la información necesaria.

- El instalador debe leer el manual y seguir atentamente las instrucciones de instalación y mantenimiento.
- El instalador es responsable de la instalación del producto y debe seguir todas las instrucciones del fabricante y las regulaciones que aplican. La instalación incorrecta respecto al manual implica la exclusión de toda la garantía.
- El fabricante declina cualquier responsabilidad por los daños causados a las personas, objetos y de los errores debidos a la instalación que desobedezcan la guía del manual. Cualquier uso que no esté definido por el fabricante en el manual, será considerado como peligroso.

# 1. Especificaciones

## 1.1 Datos técnicos Bombas de calor

Modelos	HPM20	HPM30	HPM40
Code	71245	71258	71606
<b>* Capacidad de ait 28°C / agua 28°C, Humedad 80%</b>			
Potencia de calentamiento (kW)	2.5	4.2	5.5
Consumo de potencia(kW)	0.59	1	1.31
COP	4.2	4.2	4.2
<b>* Capacidad de ait 15°C / agua 26°C, Humedad 70%</b>			
Potencia de calentamiento (kW)	1.9	3.2	4.2
Consumo de potencia(kW)	0.56	0.91	1.2
COP	3.4	3.5	3.5
<b>* General data</b>			
Voltaje(V)	220-240V~50Hz/1PH		
Corriente nominal(A)	2.6	4.4	5.8
Corriente del fusible(A)	7.5	10	16
Volumen de piscina maxima** (m <sup>3</sup> )	<20	<30	<40
Caudal de agua mínimo y recomendado (m <sup>3</sup> /h)	2	2	2.5
Presión de trabajo máxima / mínima(Mpa)	4.2/0.05		
Presión del agua(Kpa)	15	15	15
Intercambiador de calor	Titanio en PVC		
Nivel de protección	IPX4		
Conexión de agua (mm)	38/32		
Nivel de ruido (10m) dB(A)	48	46	46
Nivel de ruido (1m) dB(A)	57	55	55
Refrigerante R32 (g)	160	290	400
<b>* Dimensión y peso</b>			
Peso neto (kg)	18	26	30
Peso bruto (kg)	19	28.5	33
Dimensión neta (mm)	313*364.5*428.5	435*436.5*511.5	515*487*541.5
Dimensión de embalaje (mm)	380*455*500	496*525*575	570*570*605

\* La información anteriormente nombrada esta sujeta a modificaciones sin previo aviso.

\*\*Ver más detalles en nuestro paquete o sitio web.

## 2. Consejos de Transporte

### 2.1 Entrega del embalaje



Para el transporte, las bombas de calor se fijan en un palet y se cubren con una caja de cartón.

Para evitar cualquier daño, la bomba de calor debe ser transferida con su embalaje..

Todo el material, incluso si el transporte es a cargo del proveedor, puede dañarse durante su envío al cliente y es responsabilidad del destinatario asegurarse de la correcta entrega.

El destinatario, si observa daños en el embalaje, debe escribir todas las reseñas a la recepción en el albarán de entrega del transportista. **NO OLVIDE CONFIRMAR POR CARTA REGISTRADA AL TRANSPORTADOR EN 48 HORAS**

### 2.2 Almacenaje.



\* El almacén debe ser, espacioso, abierto, bien ventilado, con equipo de ventilación y sin fuente de fuego.

\* La bomba de calor debe almacenarse y manipularse en posición vertical en su embalaje original. Si no es el caso, es necesario un período mínimo de 24 horas antes de conectar la bomba a la alimentación eléctrica.

#### **PROHIBIDO**



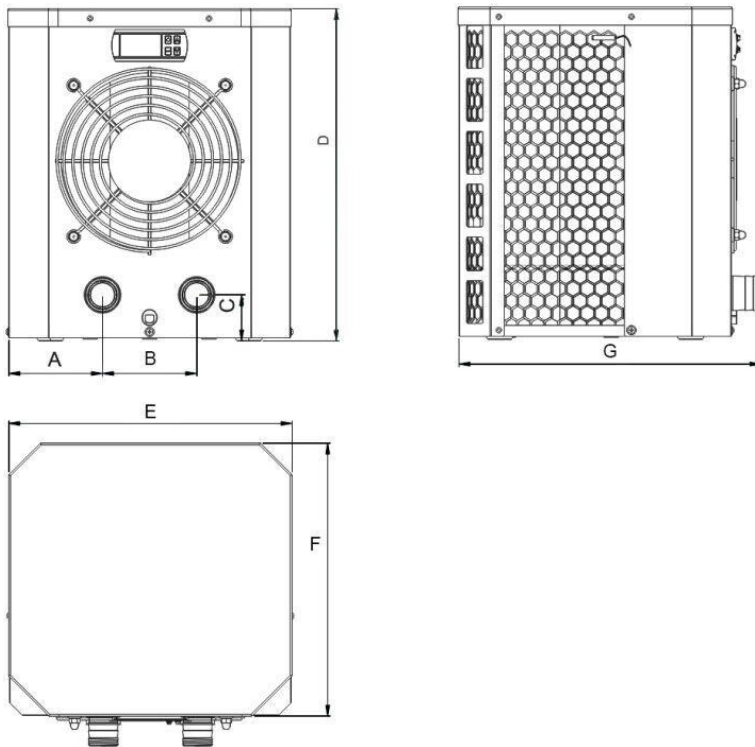
### 2.3 Traslado a la posición final.

\* Durante el desembalaje del producto y el transporte desde su palet hasta el lugar final de instalación, es necesario mantener en posición vertical la bomba de calor.

\* Está prohibido fumar y el uso de llamas cerca de la bomba de calor.

\* La conexión de agua no garantiza la sujeción de la máquina, por el contrario, el peso de la bomba de calor pueda dañar las conexiones de agua ocasionando averías en el producto. El fabricante no se responsabiliza de los daños ocasionados por una incorrecta instalación.

### 3. Dimensiones



Modelo / (mm)	A	B	C	D	E	F	G
<b>HPM20</b>	90.4	130	50	428.5	313	300	364.5
<b>HPM30</b>	116.5	200	50	511.5	435	365	436.5
<b>HPM40</b>	134.6	260	50	541.5	515	421	487



## 4. Instalación y conexión

Atención:

Por favor, siga las instrucciones a la hora de instalar la bomba de calor:

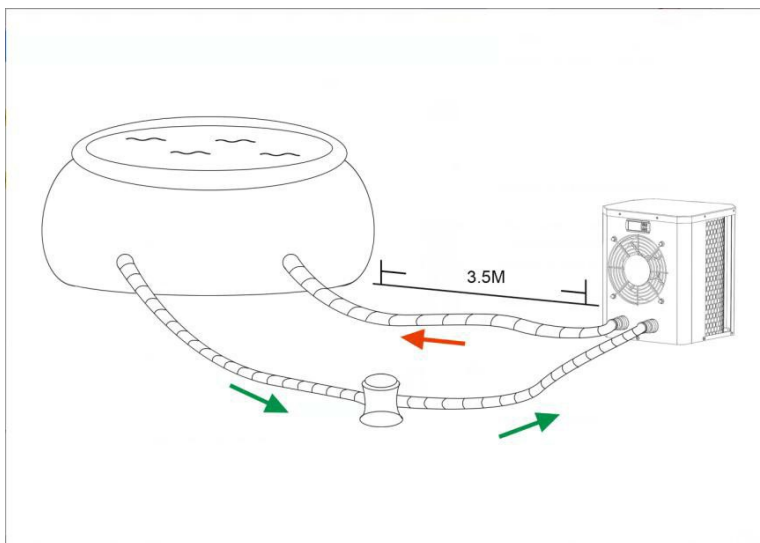
1. Cualquier adición de productos químicos debe tener lugar en la tubería situada aguas abajo de la bomba de calor.
2. Mantenga siempre la bomba de calor en posición vertical. Si la unidad se ha mantenido en ángulo, espere al menos 24 horas antes de encender la bomba de calor.

### 4.1 Ubicación de la bomba de calor

La unidad funcionará correctamente en cualquier ubicación deseada, siempre que estén presentes los siguientes tres elementos:

#### 1. Aire fresco - 2. Electricidad - 3. Filtros de piscina

La unidad puede instalarse prácticamente en cualquier lugar exterior siempre que se mantengan las distancias mínimas especificadas a otros objetos (véase el dibujo a continuación). Por favor, consulte a su instalador para la instalación con una piscina cubierta. La instalación en un lugar ventoso no presenta ningún problema en absoluto, a diferencia de la situación con un calentador de gas (incluyendo problemas de llama piloto).

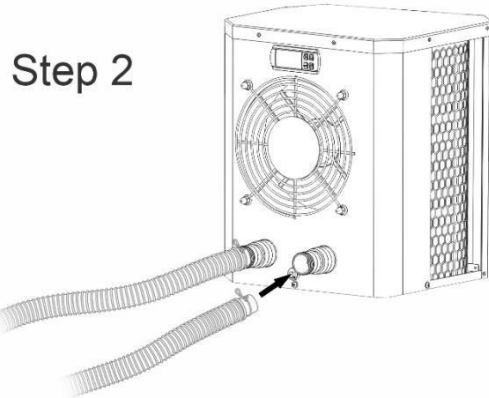


**ATENCIÓN:** La unidad no debe instalarse en una zona de aire de ventilación limitada, ni colocarse en un arbusto, que bloquearán la entrada de aire. Estas ubicaciones provocan que la unidad pueda recibir una fuente continua de aire fresco. Al cambio de las estaciones, también puede colmatarse la batería evaporadora con las hojas de los árboles, lo que reducirá su eficiencia y afectará a su vida útil.

### 4.2 Operación inicial

**Nota:** Para calentar el agua de la piscina (o jacuzzi), la bomba de filtrado debe estar funcionando para que el agua circule por la bomba de calor. Si el agua no fluye, la bomba de calor activará la protección contra sobrecalentamiento y provocará un apagado.

### 4.3 Conexión de manguera



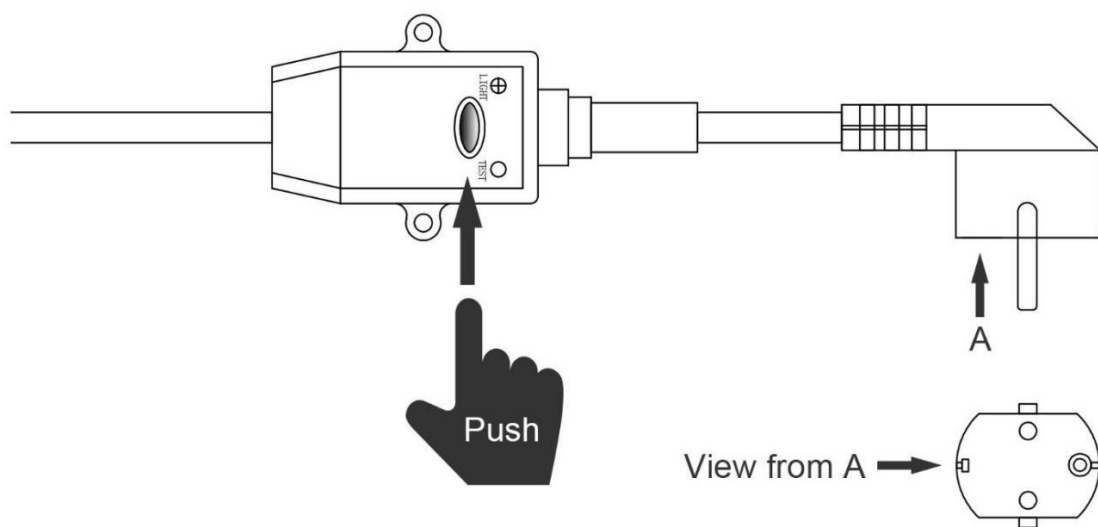
Nota: La fábrica sólo proporciona la unidad de la bomba de calor. Los otros elementos que se muestran en la ilustración, son las partes necesarias para su instalación, son suministradas por los usuarios o las personas que realicen la instalación.

### 4.4 Conexión eléctrica

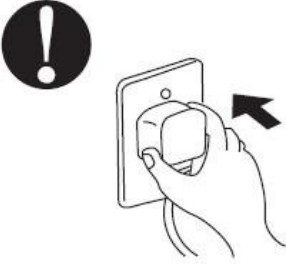
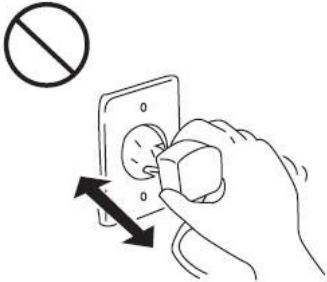
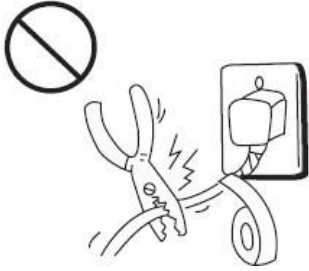
Antes de conectar la unidad, verifique que la tensión de alimentación coincida con la tensión de funcionamiento de la bomba de calor.

El enchufe RCD se ha incluido con el cable de alimentación, el cual puede ofrecer protección eléctrica.

El boton de prueba se utilizan para verificar el rendimiento del interruptor.



Atención:

<p><b>Asegúrese de que el enchufe de alimentación sea seguro</b></p> <p>Si el enchufe no es seguro, puede provocar una descarga eléctrica, sobrecalentamiento o incendio.</p> 	<p><b>Nunca desenchufe el cable de alimentación durante la operación</b></p> <p>De lo contrario, podría producirse una descarga eléctrica o un incendio debido al sobrecalentamiento.</p> 	<p><b>Nunca utilice cables eléctricos dañados o cables eléctricos no especificados.</b></p> <p>De lo contrario, podría provocar una descarga eléctrica o un incendio.</p> 
---	---	---

Una vez realizadas y comprobadas todas las conexiones, realice el siguiente procedimiento:

1. Encienda la bomba de filtración. Compruebe si hay fugas y compruebe que el agua fluye desde y hacia la piscina.
2. Conecte la alimentación a la bomba de calor y presione el botón de encendido / apagado en el panel de control electrónico. La unidad se pondrá en marcha después de la expiración del tiempo de espera (véase más adelante).
3. Después de unos minutos, compruebe si el aire que sopla fuera de la unidad está más frío.
4. Apegue la bomba de calor antes que la bomba de filtración.
5. Deje que la bomba de calor y la bomba del filtro funcionen 24 horas al día hasta que se alcance la temperatura deseada del agua. La bomba de calor dejará de funcionar en este punto. Después de esto, se reiniciará automáticamente (siempre y cuando la bomba del filtro esté funcionando) siempre que la temperatura del agua de la piscina disminuya 2 grados respecto a la temperatura deseada.

Dependiendo de la temperatura inicial del agua en la piscina y la temperatura del aire, puede tardar varios días para calentar el agua a la temperatura deseada. Una buena cubierta de la piscina puede reducir drásticamente el tiempo requerido para ello.

**Tiempo de retardo** - La unidad de la bomba de calor debe estar equipada con una protección de reiniciación temporizada de 3 minutos transitoria. El control del temporizador es una parte integral del circuito de control. El funcionamiento del temporizador permitirá reiniciar automáticamente la unidad de la bomba de calor aproximadamente 3 minutos después de cada interrupción del circuito de control. Incluso una simple interrupción de alimentación eléctrica activará el temporizador de 3 minutos de manera transitoria y prevendrá que la unidad se reinicie hasta que se cumplan los 3 minutos.

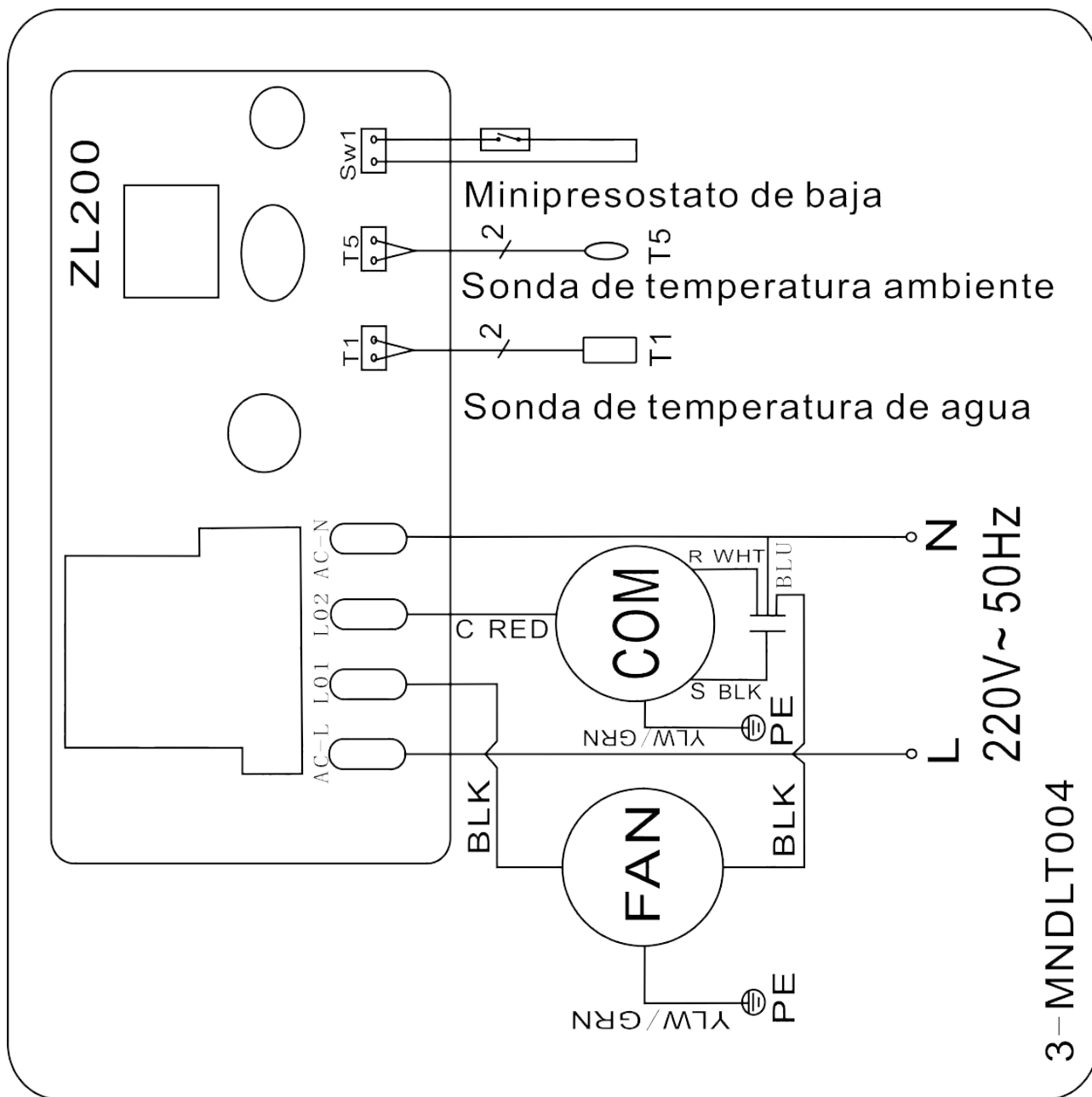
#### 4.5 Condensación

El aire aspirado en la bomba de calor se enfría fuertemente por el funcionamiento de la bomba de calor para calentar el agua de la piscina, lo que puede causar condensación en las aletas del evaporador. La cantidad de condensación puede ser de hasta varios litros por hora a alta humedad relativa. Esto a veces se considera erróneamente como una fuga de agua.

## 5. Cableado eléctrico

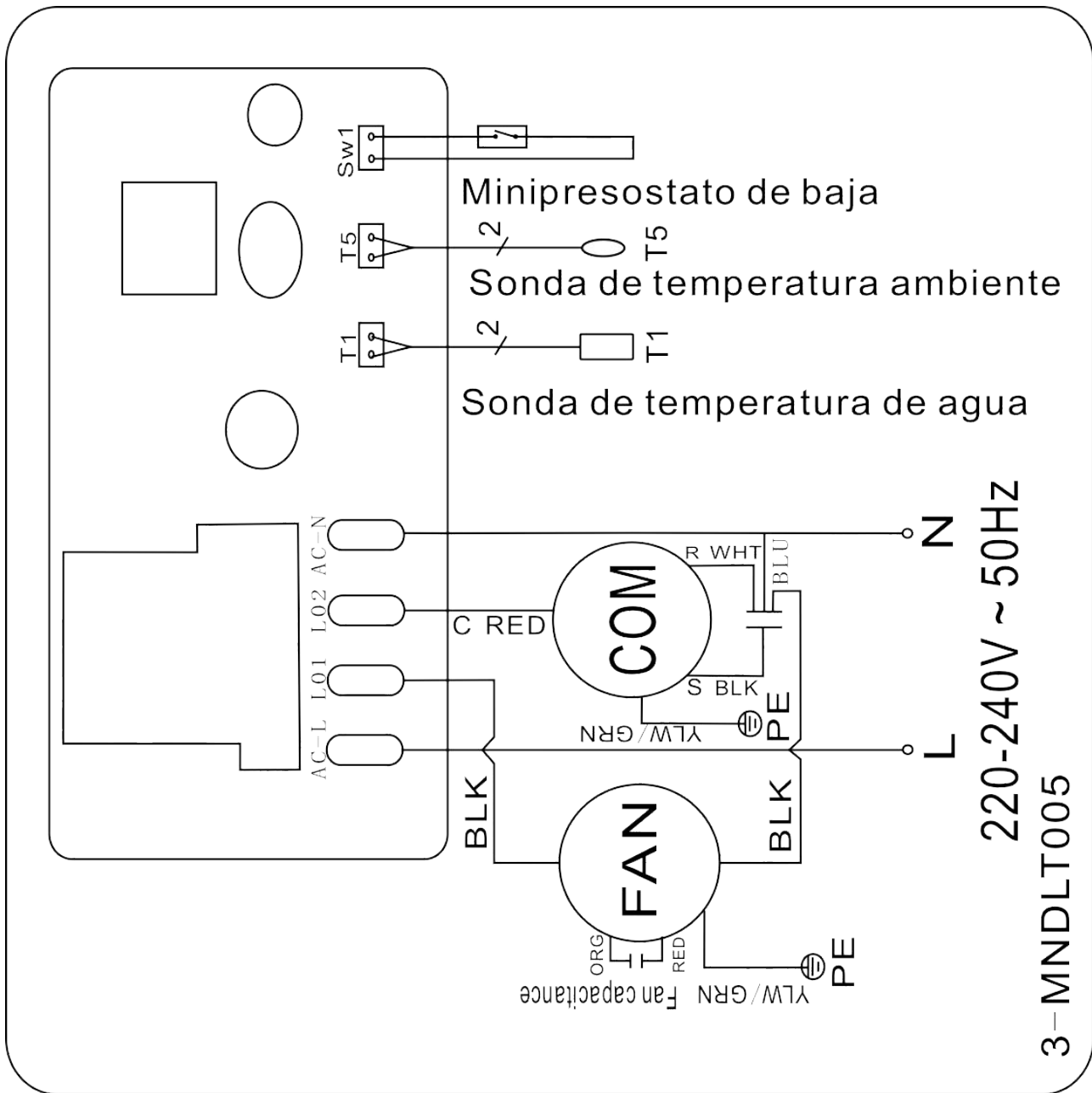
### 5.1 ESQUEMA ELECTRICO DE LA BOMBA DE CALOR

HPM20



## 5.2 ESQUEMA ELECTRICO DE LA BOMBA DE CALOR

HPM30/HPM40



### NOTA:

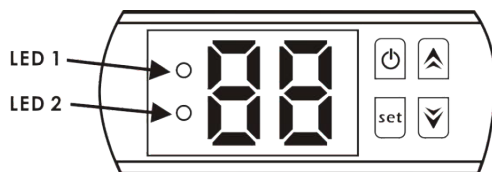
(1) Por encima del diagrama de cableado eléctrico sólo para su referencia, se somete al diagrama de cableado que aparece en la máquina.

(2) La bomba de calor debe estar bien conectada a tierra, aunque el intercambiador de calor de la unidad está aislado eléctricamente del resto de la unidad. La conexión a tierra de la bomba de calor, aún es necesaria para protegerla contra cortocircuitos dentro de la misma.

**Desconexión:** Los medios de desconexión (interruptor automático, fusible o relés) deben estar ubicados a la vista y fácilmente accesibles desde la unidad. Esto es una práctica común en bombas de calor comerciales y residenciales. Desconecte el sistema de alimentación remota cuando tenga que realizar mantenimiento dentro de la máquina.

## 6. Funcionamiento del controlador de pantalla

### 6.1 Los botones del controlador LED




Cuando la bomba de calor está funcionando, la pantalla LED muestra la temperatura del agua de entrada.

El LED 1 está encendido cuando el compresor está funcionando.

El LED 2 está encendido si hay problemas.



### 6.2 Arranque o detenga la bomba de calor

Presione  para iniciar la bomba de calor, la pantalla LED mostrará la temperatura del agua deseada durante 5 segundos y luego mostrará la temperatura del agua de entrada..

Presione  para detener la bomba de calor.



### 6.3 Ajuste de la temperatura del agua



Pulse  y  para ajustar la temperatura del agua deseada (10—42°C)

Pulse  o  nuevamente para almacenar los nuevos datos.

Nota: la bomba de calor puede funcionar sólo si el sistema de circuito de agua / filtración está funcionando.

### 6.4 Cómo comprobar los parámetros

Pulse , Entrará en la comprobación de parámetros, Pulse  y  para elegir el código d0 / d1,

Pulse , mostrará el valor medido. Por último pulse  para salir.

Code	Parámetro
d0	Temperatura ambiente
d1	Temperatura de agua

**Aviso: no puede establecer los datos del parámetro por los usuarios finales.**

## 7. Mal funcionamiento y solución de problemas

### 7.1 Código de error mostrado en el controlador de cable de LED

Avería	Código de error	Motivo	Solución
Protección de temperatura ambiente demasiado baja	P0	1. La temperatura ambiente es inferior a 12 °C 2. Fallo del controlador.	1. Espere que la temperatura ambiente suba a 13 °C. 2. Reemplace el nuevo controlador.
Fallo del sensor de temperatura del agua	P1	Sensor de temperatura del agua circuito abierto o cortocircuito.	Reemplace el nuevo sensor de temperatura del agua.
Fallo del sensor de temperatura ambiente	P2	Sensor de temperatura ambiente circuito abierto o cortocircuito.	Reemplace el nuevo sensor de temperatura ambiente.
Protección de baja presión	EL	1. Interruptor de baja presión desconectado o averiado. 2. Fuga de gas.	Debe ser reparado por los técnicos profesionales.

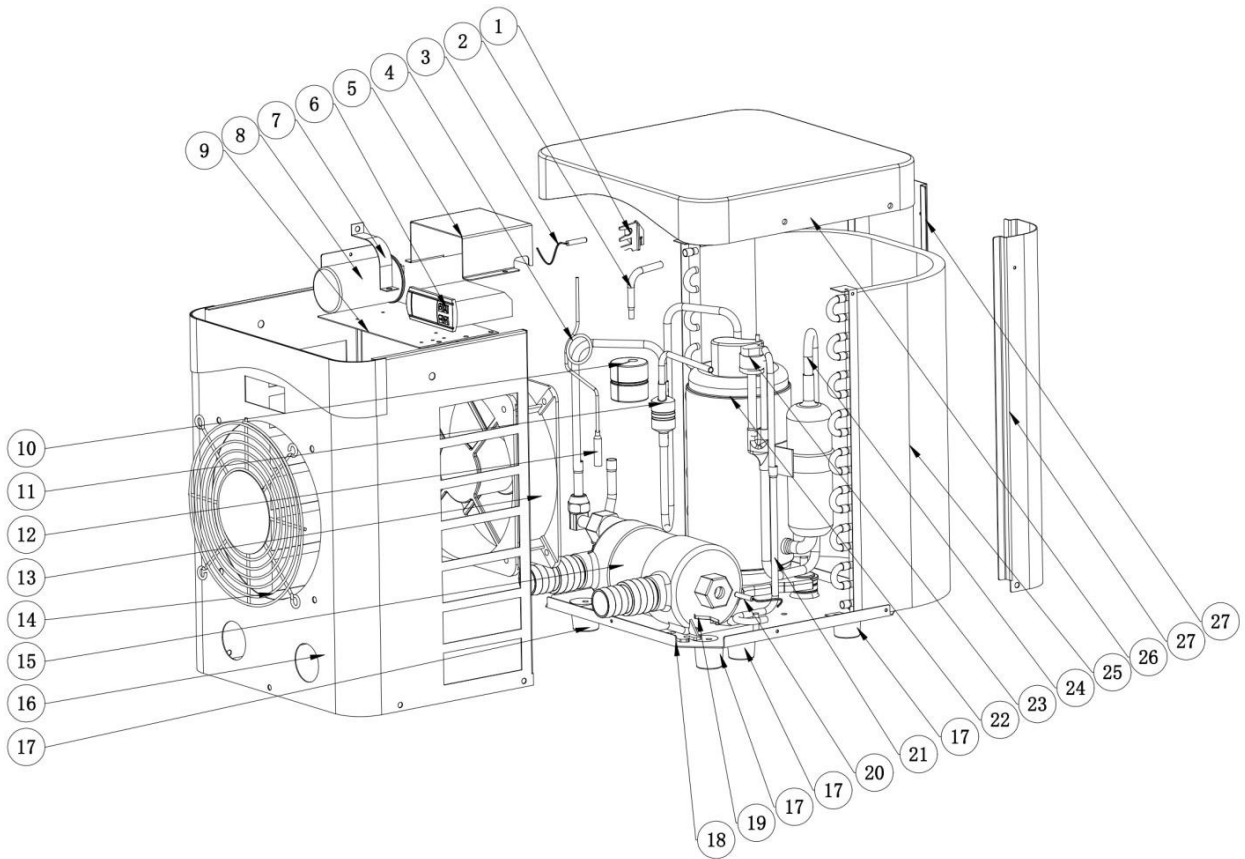
## 7.2 Otros fallos y soluciones (No se muestra en el controlador con cable LED)

Avería	Descripción	Motivos	Solución
La bomba de calor no se está operando.	Ninguna visualización sobre el controlador LED se aprecia.	No hay alimentación de potencia.	Chequee el cable y el cambiador del circuito, verifique si están conectados.
	El controlador de cable de LED muestra la temperatura del agua actual.	<p>La temperature del agua está llegando al valor ajustado, la bomba de calor se encuentra en estado de temperatura constante.</p> <p>2. La bomba de calor comienza justo a funcionar.</p>	<p>1. Verifica el ajuste de la temperatura del agua.</p> <p>2. Inicie la bomba de calor después de algunos minutos.</p>
Operación corta	LED muestra la temperature actual del agua, no se muestra el código de error.	<p>1. Ventilador NO funciona.</p> <p>2. La ventilación del aire no es suficiente.</p> <p>3. El refrigerante no es suficiente.</p>	<p>1. Chequee las conexiones de cable entre el motor y el ventilador, si es necesario, deben ser remplazados.</p> <p>2. Compruebe la ubicación de la unidad de la bomba de calor, y elimine todos los obstáculos para tener una buena ventilación del aire.</p> <p>3. Reemplace o repare la unidad de la bomba del calor.</p>
Manchas de agua	Manchas de agua en la unidad de la bomba de calor	<p>1. Protección</p> <p>2. Fuga del agua.</p>	<p>1. Ninguna accion.</p> <p>2. Verifique con cuidado el intercambiador de calor de titanio si hay algún fallo de fuga.</p>



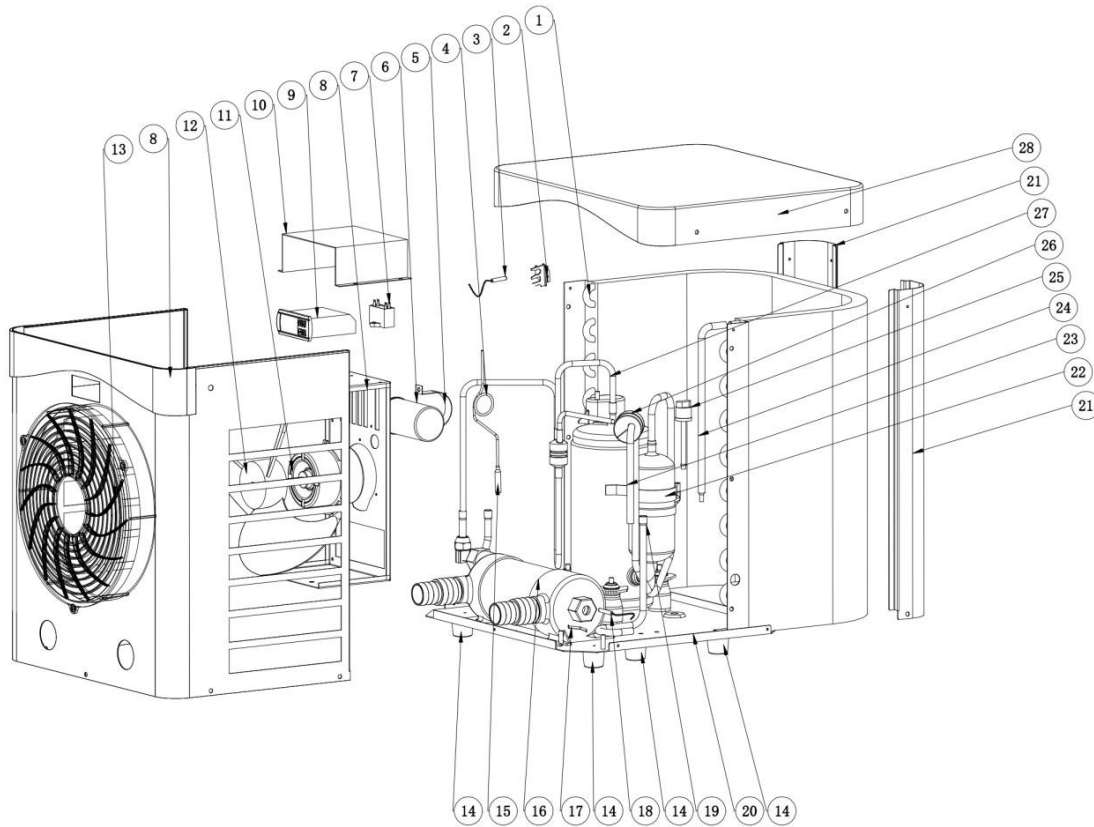
## 8. Diagrama Explosionado

Unit: HPM20



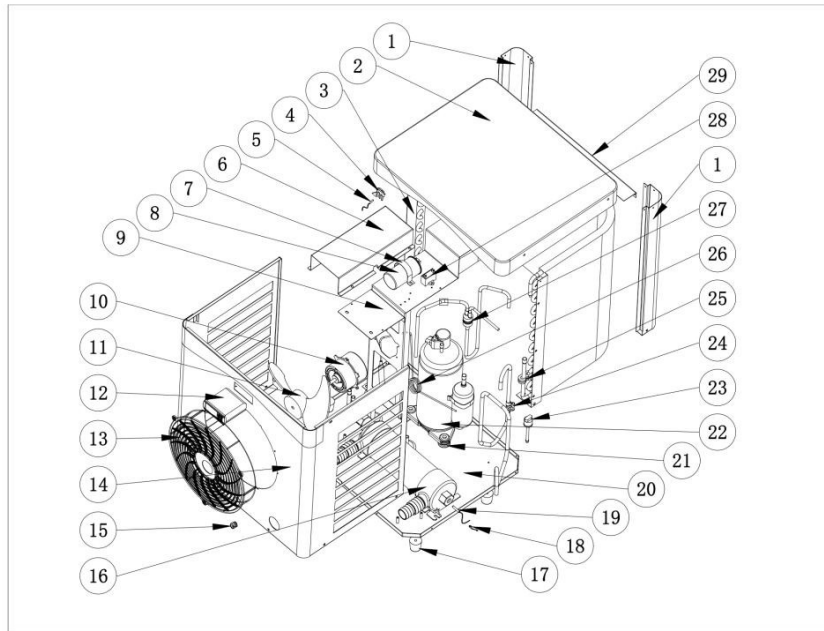
No.	Nombre de las partes	HPM20	No.	Nombre de las partes	HPM20
1	Clip del sensor de temperatura	133020010	15	Intercambiador de titanio	102040891
2	Tubo de cobre	113100026	16	Panel frontal	108680047
3	Sensor de temperatura ambiente	117110079	17	Patas de goma	136020168
4	Capilar	109000028	18	Base	108680045
5	Caja electrica	108680016	19	Acortar	108010025
6	Controlador	117020189	20	Sensor temperatura de agua	117110068
7	Clip de condensador del	108010008	21	Colector de cobre	113050123
8	Condensador del compresor	111000010	22	Compresor	101000233
9	Caja cuadro eléctrico	108680015	23	Minipresostato de baja	116000091
10	Martillo de goma a prueba de	136020133	24	Tubo de descarga	113010300
11	Tubería de retorno de gas	113020398	25	Evaporador	103000236
12	Tubo de cobre	113100027	26	Cubierta superior	133400001
13	Ventilador	112000071	27	Pilar	108680046
14	Rejilla ventilador	108680017			

**Unit: HPM30**



No.	Nombre de las partes	HPM30	No.	Nombre de las partes	HPM30
1	Evaporador	103000237	15	Tubo de cobre	113100027
2	Clip del sensor de temperatura ambiente	133020010	16	Intercambiador de titanio	102040900
3	Sensor de temperatura ambiente T5	117110079	17	Acortar	108010025
4	Capilar	109000038	18	Sensor temperatura de agua T1	117110068
5	Clip de condensador del compresor	108010006	19	Tubo colector de gas	113050125
6	Condensador del compresor	111000011	20	Base	108690033
7	Condensador del ventilador	111000034	21	Pilar	108690048
8	Montaje del panel frontal	108690047	22	Compresor	101000232
9	Controlador	117020189	23	Tubería de retorno de gas	113020467
10	Caja electrica	108690015	24	Tubo de cobre	113420129
11	Motor del ventilador	112000054	25	Minipresostato de baja presion	116000091
12	Aspa del ventilador	132000024	26	Martillo de goma a prueba de golpes	136020026
13	Rejilla ventilador	133020052	27	Tubo de descarga	113010351
14	Patatas de goma	136020168	28	Cubierta superior	133330004

**Unit: HPM40**



No.	Nombre de las partes	HPM40	No.	Nombre de las partes	HPM40
1	Pilar	108950009	16	Intercambiador de titanio	117020363
2	Cubierta superior	133440001	17	Patas de goma	136020168
3	Evaporador	103000343	18	Clip del sensor de temperatura	108010025
4	Clip sonda Tª ambiente	133020010	19	Sensor temperatura de agua T1	117110068
5	Sensor temperatura de agua T1	117110068	20	Base	108950007
6	Caja electrica	108950006	21	Pies de goma del compresor	101000241
7	Clip de condensador del	108010006	22	Compresor	101000241
8	Condensador del compresor	111000012	23	Minipresostato de baja presion	116000091
9	Soporte del motor del	108950010	24	Tubería de retorno de gas	113020602
10	Motor del ventilador	112000079	25	Bloque de goma	136020018
11	Aspa del ventilador	132000024	26	Capilar	109000038
12	Controlador	117020302	27	Tubo de descarga	113020624
13	Rejilla ventilador	133020052	28	Condensador del ventilador	111000034
14	Montaje del panel frontal	108950008	29	Placa de soporte del soporte del motor	108950011
15	Prensaestopa del cable de	142000126			

## 9. Mantenimiento

- (1) Debe revisar regularmente el sistema de filtración, bajo flujo de agua y obstrucciones en la batería evaporadora, ya que esto puede producir averías, reduciendo el rendimiento y la fiabilidad de la bomba de calor.
- (2) Debe limpiar regularmente sus piscinas y el sistema de filtración para evitar el daño a la unidad por la suciedad, obstruyendo el filtro.
- (3) En invierno o cuando la temperatura ambiente sea inferior a 0°C, asegúrese de vaciar el agua de las bombas de calor o los intercambiadores de titanio. Si se congela, su garantía caducará en este caso.
- (4) En otras palabras, debe chequear las unidades por completo y llenar el sistema con agua completamente antes de que la unidad comience a funcionar de nuevo.
- (5) Cuando la unidad está funcionando, hay continuamente un poco de descarga de agua debajo de la unidad.

## 10. Accesorios



## **ES - CERTIFICADO DE GARANTÍA**

### **1ASPECTOS GENERALES**

- 1.1 De acuerdo con estas disposiciones, el vendedor garantiza que el producto correspondiente a esta garantía ("el Producto") no presenta ninguna falta de conformidad en el momento de su entrega.
- 1.2 El Período de Garantía para el Producto es de dos (2) años y se calculará desde el momento de su entrega al comprador.
- 1.3 Si se produjera una falta de conformidad del Producto y el comprador lo notificase al vendedor durante el Periodo de Garantía, el vendedor deberá reparar o sustituir el Producto a su propio coste en el lugar donde considere oportuno, salvo que ello sea imposible o desproporcionado.
- 1.4 Cuando no se pueda reparar o sustituir el Producto, el comprador podrá solicitar una reducción proporcional del precio o, si la falta de conformidad es suficientemente importante, la resolución del contrato deventa.
- 1.5 Las partes sustituidas o reparadas en virtud de esta garantía no ampliarán el plazo de la garantía del Producto original, si bien dispondrán de su propia garantía.
- 1.6 Para la efectividad de la presente garantía, el comprador deberá acreditar la fecha de adquisición y entregadel Producto.
- 1.7 Cuando hayan transcurrido más de seis meses desde la entrega del Producto al comprador y éste alegue falta de conformidad de aquél, el comprador deberá acreditar el origen y la existencia del defectoalegado.
- 1.8 El presente Certificado de Garantía no limita o prejuzga los derechos que correspondan a los consumidores en virtud de normas nacionales de carácter imperativo.

### **2CONDICIONES PARTICULARES**




- La presente garantía cubre los productos a que hace referencia estemanual.
- El presente Certificado de Garantía será de aplicación únicamente en los países de la UniónEuropea.
- Para la eficacia de esta garantía, el comprador deberá seguir estrictamente las indicaciones del Fabricante incluidas en la documentación que acompaña al Producto, cuando ésta resulte aplicable según la gama y modelo del Producto.
- Cuando se especifique un calendario para la sustitución, mantenimiento o limpieza de ciertas piezas o componentes del Producto, la garantía sólo será válida cuando se haya seguido dicho calendario correctamente.

### **3LIMITACIONES**

- 3.1 La presente garantía únicamente será de aplicación en aquellas ventas realizadas a consumidores, entendiéndose por "consumidor", aquella persona que adquiere el Producto con fines que no entran en el ámbito de su actividad profesional.
- 3.2 No se otorga ninguna garantía respecto del normal desgaste por uso del producto. En relación con las piezas, componentes y/o materiales fungibles o consumibles como pilas, bombillas etc., se estará a lo dispuesto en la documentación que acompañe al Producto, en su caso.
- 3.3 La garantía no cubre aquellos casos en que el Producto: (I) haya sido objeto de un trato incorrecto; (II) haya sido reparado, mantenido o manipulado por persona no autorizada o (III) haya sido reparado o mantenido con piezasno originales.  
Cuando la falta de conformidad del Producto sea consecuencia de una incorrecta instalación o puesta en marcha, la presente garantía sólo responderá cuando dicha instalación o puesta en marcha esté incluida en el contrato de compra-venta del Producto y haya sido realizada por el vendedor o bajo su responsabilidad.



## AVERTISSEMENTS

	<p>Ce symbole indique que de plus amples informations sont disponibles dans le Manuel d'utilisation ou dans le Manuel d'installation.</p>		<p>Ce symbole indique que l'appareil utilise du R32, un réfrigérant à faible vitesse de combustion.</p>
	<p>Ce symbole indique que le Manuel d'utilisation doit être lu avec attention.</p>		<p>Ce symbole indique qu'un technicien de maintenance doit manipuler cet équipement conformément au Manuel d'utilisation.</p>

### AVERTISSEMENTS GÉNÉRAUX

- Le non-respect des avertissements pourrait causer des dommages à l'équipement de la piscine ou entraîner de graves blessures, voire la mort.
- Seule une personne qualifiée dans les domaines techniques concernés (électricité, hydraulique ou frigorifique), est habilitée à faire la maintenance ou la réparation de l'appareil. Le technicien qualifié intervenant sur l'appareil doit utiliser/porter un équipement de protection individuel (tels que lunettes de sécurité, gants de protection, etc...) afin de réduire tout risque de blessure qui pourrait survenir lors de l'intervention sur l'appareil.
- Avant toute intervention sur l'appareil, s'assurer que celui-ci est hors tension et consigné.
- Cet appareil n'est pas prévu pour être utilisé par des personnes (y compris les enfants) dont les capacités physiques, sensorielles ou mentales sont réduites, ou des personnes dénuées d'expérience ou de connaissance, sauf si elles ont pu bénéficier, par l'intermédiaire d'une personne responsable de leur sécurité, d'une surveillance ou d'instructions préalables concernant l'utilisation de l'appareil. Il convient de surveiller les enfants pour s'assurer qu'ils ne jouent pas avec l'appareil.
- Cet appareil peut être utilisé par des enfants âgés d'au moins 8 ans et par des personnes ayant des capacités physiques, sensorielles ou mentales réduites ou dénuées d'expérience ou de connaissance, s'ils (si elles) sont correctement surveillé(e)s ou si des instructions relatives à l'utilisation de l'appareil en toute sécurité leur ont été données et si les risques encourus ont été appréhendés. Le nettoyage et l'entretien par l'utilisateur ne doivent pas être effectués par des enfants sans surveillance.
- L'installation de l'appareil doit être réalisée conformément aux instructions du fabricant et dans le respect des normes locales et nationales en vigueur. L'installateur est responsable de l'installation de l'appareil et du respect des réglementations nationales en matière d'installation. En aucun cas le fabricant ne pourra être tenu pour responsable en cas de non-respect des normes d'installation locales en vigueur.
- Pour toute autre action que l'entretien simple par l'utilisateur décrit dans cette notice, le produit doit être entretenu par un professionnel qualifié.
- Toute mauvaise installation et/ou utilisation peut entraîner des dégâts matériels, ou corporels sérieux (pouvant entraîner un décès),
- En cas de dysfonctionnement de l'appareil : ne pas tenter de réparer l'appareil par vous-même et contacter un technicien qualifié.
- Toute désactivation, élimination ou contournement de l'un des éléments de sécurité intégrés à l'appareil annule automatiquement la garantie, tout comme l'utilisation de pièces de remplacement provenant d'un fabricant tiers non autorisé.
- Ne pas vaporiser d'insecticide ou autre produit chimique (inflammable ou non-inflammable) vers l'appareil, il pourrait détériorer la carrosserie et provoquer un incendie.
- Ne pas toucher le ventilateur ou les pièces mobiles et ne pas insérer d'objets ou vos doigts à proximité des pièces mobiles lorsque l'appareil est en fonctionnement. Les pièces mobiles peuvent causer

des blessures sérieuses voire la mort.

#### **AVERTISSEMENTS LIÉS À DES APPAREILS ÉLECTRIQUES**

- L'alimentation électrique de l'appareil doit être protégée par un Dispositif de protection à courant Différentiel Résiduel (DDR) de 30 mA dédié, en conformité avec les normes en vigueur du pays d'installation.
- Ne pas utiliser de rallonge pour brancher l'appareil ; connecter l'appareil directement à un circuit d'alimentation adapté.
- Avant toute opération, vérifier que :
  - La tension indiquée sur la plaque signalétique de l'appareil correspond bien à celle du réseau,
  - Le réseau d'alimentation convient à l'utilisation de l'appareil, et qu'il dispose d'une prise à la terre,
  - La fiche d'alimentation s'adapte à la prise de courant.
- Ne pas débrancher et rebrancher l'appareil en cours de fonctionnement.
- Ne pas tirer sur le câble d'alimentation pour le débrancher.
- Si le câble d'alimentation est abîmé, il doit être impérativement remplacé par le fabricant, son agent technique ou une personne qualifiée afin de garantir la sécurité.
- Ne pas réaliser d'entretien ou de maintenance de l'appareil les mains mouillées ou si l'appareil est mouillé.
- Avant de connecter l'appareil à la source d'alimentation, vérifier que bloc de raccordement ou la prise d'alimentation à laquelle l'appareil sera connecté est en bon état et qu'il n'est pas endommagé ni rouillé.
- Par temps orageux, déconnecter l'appareil de l'alimentation électrique pour éviter qu'il ne soit endommagé par la foudre.
- Ne pas plonger l'appareil dans l'eau ou la boue;garder le disjoncteur à l'écart de l'eau.

#### **AVERTISSEMENTS LIÉS AUX APPAREILS CONTENANT DU FLUIDE FRIGORIGÈNE R32**

- Le réfrigérant R32 est un réfrigérant de catégorie A2L, qui est considéré comme potentiellement inflammable.
- Ne pas décharger le fluide R32 dans l'atmosphère. Ce fluide est un gaz fluoré à effet de serre, couvert par le protocole de Kyoto, avec un Potentiel de chauffage global (GWP) = 675 (réglementation européenne UE 517/2014).
- Installer l'unité à l'extérieur. Ne pas installer l'unité à l'intérieur ou dans un endroit clôt et non aéré en extérieur.
- L'appareil doit être stocké dans une pièce sans source d'étincelle en fonctionnement permanent (par exemple : flammes à l'air libre, appareil à gaz en fonctionnement ou chauffage électrique en fonctionnement).
- Ne pas percer, ni incinérer.
- À noter que le réfrigérant R32 peut dégager une certaine odeur.
- Afin de se conformer aux normes et aux réglementations pertinentes en matière d'environnement et d'installation, notamment au décret N° 2015-1790 et/ou à la réglementation européenne UE 517/2014, une recherche de fuite doit être effectuée sur le circuit de refroidissement au moins une fois par an. Cette opération doit être effectuée par un spécialiste certifié des appareils de refroidissement.
- Merci de conserver l'afficheur dans un endroit sec ou fermer son couvercle pour éviter que l'afficheur ne soit endommagé par l'humidité.

#### **MAINTENANCE : AVERTISSEMENTS LIÉS AUX APPAREILS CONTENANT DU RÉFRIGÉRANT R32**

- Pendant la phase d'entretien de l'appareil, la composition et l'état du fluide caloporteur seront contrôlés, ainsi que l'absence de trace de réfrigérant.
- Pendant le contrôle annuel d'étanchéité de l'appareil, conformément aux lois en vigueur, vérifier que les pressostats haute et basse pression sont raccordés correctement sur le circuit frigorifique et qu'ils coupent le circuit électrique en cas de déclenchement.
- Pendant la phase de maintenance, s'assurer qu'il n'y a pas de traces de corrosion ou de taches d'huile autour des composants frigorifiques.
- Ne pas braser ou souder le tuyau s'il y a du réfrigérant à l'intérieur de la machine. Veuillez ne pas charger le

gaz dans un espace confiné.

#### ***Vérification de la zone***

- Avant de commencer à travailler sur des systèmes contenant des fluides frigorigènes inflammables, des contrôles de sécurité sont nécessaires pour garantir que le risque d'étincelle soit réduit.

#### ***Procédure de travail***

- Les travaux doivent être effectués selon une procédure contrôlée afin de réduire le risque de libération d'un gaz ou de vapeur inflammable pendant les travaux.
- Avant toutes interventions sur le circuit frigorifique, il est impératif d'arrêter l'appareil et d'attendre quelques minutes avant la pose de capteurs de température ou de pression, certains équipements comme le compresseur et les tuyauteries peuvent atteindre des températures supérieures à 100°C et des pressions élevées pouvant entraîner de graves brûlures.

•

#### ***Zone générale de travail***

- Tout le personnel de maintenance et les autres personnes travaillant dans la zone proche doivent être tenus au courant des travaux effectués. Les travaux dans des espaces confinés doivent être évités.

#### ***Vérification de la présence de réfrigérant***

- La zone doit faire l'objet d'une vérification par un détecteur de réfrigérant approprié avant et pendant les travaux, afin que le technicien soit averti de la présence d'une atmosphère potentiellement toxique ou inflammable. S'assurer que l'équipement de détection des fuites utilisé est adapté à l'utilisation de tous les réfrigérants concernés, c'est-à-dire qu'il ne peut provoquer d'étincelle, est correctement isolé ou parfaitement sûr.

#### ***Présence d'un extincteur***

- Si des travaux impliquant une certaine température doivent être effectués sur l'équipement frigorifique ou sur toute pièce associée, un équipement d'extinction des incendies approprié doit se trouver à portée de main. Mettre en place un extincteur à poudre ou à CO<sub>2</sub> à proximité de la zone de travail.

#### ***Absence de source d'ignition***

- Aucune personne effectuant des travaux sur un système frigorifique et devant exposer la tuyauterie ne doit utiliser une quelconque source d'étincelle qui pourrait représenter un risque d'incendie ou d'explosion. Toutes les sources possibles d'étincelle, notamment une cigarette, doivent être gardées suffisamment à distance du site d'installation, de réparation, de retrait ou d'élimination, lorsque du réfrigérant peut potentiellement être libéré dans l'espace environnant. Avant les travaux, la zone autour de l'équipement doit être examinée afin de s'assurer qu'elle ne comporte pas de risque d'incendie ou de risque d'étincelle. Des panneaux « Interdiction de fumer » doivent être affichés.

#### ***Ventilation de la zone***

- Avant d'accéder à l'unité d'une quelconque manière que ce soit pour y effectuer n'importe quel entretien, s'assurer que la zone est ouverte et bien aérée. Une aération appropriée, permettant une dispersion en toute sécurité de tout réfrigérant qui pourrait être libéré dans l'atmosphère, doit être maintenue pendant l'entretien de l'unité.

#### ***Vérification de l'équipement de réfrigération***

- Les recommandations en matière d'entretien et de maintenance du fabricant doivent toujours être respectées. Lors du remplacement de composants électriques, s'assurer de n'utiliser que des composants du même type et de même catégorie, qui sont recommandés/approuvés par le fabricant. En cas de doute, consulter le service technique du fabricant pour obtenir de l'aide.
- Les vérifications suivantes doivent être appliquées aux installations utilisant des réfrigérants inflammables :
  - les marquages sur l'équipement doivent rester visibles et lisibles, tout marquage ou signal illisible doit être corrigé ;
  - les tuyaux ou composants frigorifiques sont installés dans une position où il est peu probable qu'ils soient exposés à toute substance qui pourrait corroder des composants contenant du réfrigérant, sauf si les composants sont fabriqués dans des matériaux normalement résistants à la corrosion ou correctement protégés contre une telle corrosion.



### ***Vérification des composants électriques***

- La réparation et la maintenance des composants électriques doivent comporter des contrôles de sécurité initiaux et des procédures d'inspection des composants. Si une défaillance pouvant compromettre la sécurité survient, aucune alimentation électrique ne doit être branchée au circuit jusqu'à ce qu'elle soit entièrement résolue. Si la défaillance ne peut être corrigée immédiatement, mais que les travaux doivent se poursuivre, une solution temporaire adaptée doit être trouvée. Ceci doit être signalé au propriétaire de l'équipement afin que toutes les personnes concernées soient averties.
- La réparation et la maintenance des composants électriques doivent inclure les contrôles de sécurité initiaux suivants :
  - les condensateurs sont déchargés : ceci doit être effectué en toute sécurité afin d'éviter toute possibilité d'étincelle ;
  - aucun composant électrique, ni aucun câblage alimenté n'est exposé pendant la charge, la remise en état ou la purge du système ;
  - le raccordement à la terre doit être présent en continu.

### ***Réparation sur les composants isolés***

- Lors de réparations sur des composants isolés, toutes les alimentations électriques doivent être débranchées de l'équipement sur lequel les travaux sont effectués avant tout retrait de couvercle d'isolement, etc. Si l'équipement doit absolument être alimenté en électricité pendant l'entretien, un dispositif de détection des fuites fonctionnant en permanence doit être placé au point le plus critique afin de signaler toute situation potentiellement dangereuse.
- Il convient de faire particulièrement attention aux points suivants afin de s'assurer que, lors de travaux sur des composants électriques, le boîtier n'est pas altéré au point d'affecter le niveau de protection. Ceci doit inclure les câbles endommagés, un nombre excessif de branchements, des bornes non conformes aux caractéristiques d'origine, les joints endommagés, une installation incorrecte des presse-étoupes, etc.
- S'assurer que l'appareil est correctement fixé.
- S'assurer que les joints ou les matériaux d'isolement ne se sont pas dégradés au point qu'ils n'empêchent plus une atmosphère inflammable de pénétrer dans le circuit. Les pièces de rechange doivent être conformes aux caractéristiques du fabricant.

### ***Réparation des composants intrinsèquement sûrs***

- N'appliquer aucune charge d'induction ou de capacité électrique permanente au circuit sans s'assurer que celle-ci n'excède pas la tension et l'intensité autorisées pour l'équipement en cours d'utilisation.
- Les composants normalement sûrs sont les seuls types sur lesquels il est possible de travailler en présence d'une atmosphère inflammable lorsqu'ils sont alimentés. L'appareil de test doit appartenir à la classe adaptée.
- Ne remplacer les composants que par des pièces spécifiées par le fabricant. D'autres pièces pourraient enflammer le réfrigérant dans l'atmosphère en raison d'une fuite.

### ***Câblage***

- Vérifier que le câblage ne présente pas d'usure, de corrosion, de pression excessive, de vibration, de bord coupant ou tout autre effet environnemental négatif. Le contrôle doit également prendre en compte les effets du vieillissement ou de vibrations en continu provoquées par des sources telles que des compresseurs ou des ventilateurs.

### ***Détection de fluide réfrigérant inflammable***

- En aucun cas, des sources potentielles d'étincelle ne doivent être utilisées pour la recherche ou la détection de fuites de réfrigérant. Une lampe haloïde (ou tout autre détecteur utilisant une flamme nue) ne doit pas être utilisée.
- Les méthodes de détection de fuite suivantes sont considérées comme acceptables pour tous les systèmes frigorifiques.
- Les détecteurs de fuite électroniques peuvent être utilisés pour détecter des fuites de réfrigérant mais, en cas de réfrigérant inflammable, il se peut que la sensibilité ne soit pas adaptée ou nécessite un nouvel étalonnage. (L'équipement de détection doit être étalonné dans un endroit ne présentant aucun réfrigérant.) S'assurer que le détecteur n'est pas une potentielle source d'étincelle et est adapté au

réfrigérant utilisé. L'équipement de détection des fuites doit être réglé à un pourcentage du LFL du réfrigérant et doit être étalonné en fonction du réfrigérant employé. Le pourcentage de gaz approprié (25 % au maximum) doit être confirmé.

- Les fluides de détection de fuites sont également adaptés pour une utilisation sur la plupart des réfrigérants, mais l'utilisation de détergents contenant du chlore doit être évitée, car il pourrait réagir avec le réfrigérant et corroder la tuyauterie en cuivre.
- Si une fuite est suspectée, toutes les flammes nues doivent être supprimées/éteintes.
- Si une fuite de réfrigérant est détectée et nécessite un brasage, tout le réfrigérant doit être retiré du système ou isolé (par le biais de vannes de fermeture) dans une partie du système à l'écart de la fuite.

#### ***Retrait et évacuation***

- Lors d'un accès au circuit frigorifique pour effectuer des réparations, ou pour toute autre raison, des procédures conventionnelles doivent être utilisées. Cependant, pour des réfrigérants inflammables, il est essentiel de suivre les recommandations car l'inflammabilité est à prendre en compte. La procédure qui suit doit être respectée :
  - Retirer le réfrigérant ;
  - Purger le circuit avec un gaz inerte (facultatif pour l'A2L) ;
  - Evacuer (facultatif pour l'A2L) ;
  - Purger avec un gaz inerte (facultatif pour l'A2L) ;
  - Ouvrir le circuit par découpe ou brasage.
- La charge en réfrigérant doit être récupérée dans les bouteilles de récupération appropriées. Pour les appareils contenant des réfrigérants inflammables autres que des réfrigérants A2L, le système doit être purgé par de l'azote dépourvu d'oxygène pour rendre l'appareil apte à recevoir des réfrigérants inflammables. Il peut être nécessaire de répéter ce processus plusieurs fois. De l'air comprimé ou de l'oxygène ne doivent pas être utilisés pour purger des systèmes frigorifiques.

#### ***Procédures de chargement***

- S'assurer que la sortie de la pompe à vide ne se trouve pas à proximité de toute source potentielle d'étincelle et qu'une aération est disponible.
- En plus des procédures de charge conventionnelles, les exigences suivantes doivent être respectées.
- S'assurer qu'aucune contamination entre différents réfrigérants n'est possible lors de l'utilisation d'un équipement de charge. Les flexibles ou les lignes doivent être aussi courts que possible afin de réduire la quantité de réfrigérant qu'ils contiennent.
- Les bouteilles doivent être maintenues dans une position appropriée, conforme aux instructions.
- S'assurer que le système frigorifique est relié à la terre avant de charger le système en réfrigérant.
- Étiqueter le système une fois la charge effectuée (si ce n'est pas déjà le cas).
- Faire particulièrement attention de ne pas trop remplir le système frigorifique.
- Avant de recharger le système, il faut y effectuer un test en pression à l'aide du gaz de purge approprié. Le système doit être examiné pour l'absence de fuite en fin de charge, mais avant la mise en service. Un test de fuite de suivi doit être effectué avant de quitter le site

#### ***Démantèlement***

- Avant d'effectuer une procédure de démantèlement, il est indispensable que le technicien se soit bien familiarisé avec l'équipement et ses caractéristiques. Il est particulièrement recommandé de soigneusement récupérer l'intégralité des réfrigérants. Avant d'effectuer cette tâche, un échantillon d'huile et de réfrigérant doit être récupéré si des analyses s'avèrent nécessaires avant une autre utilisation du réfrigérant récupéré. Il est indispensable de vérifier la présence d'une alimentation électrique avant de débiter la tâche.
1. Se familiariser avec l'équipement et son fonctionnement.
  2. Isoler électriquement le système.
  3. Avant de débiter la procédure, s'assurer des points suivants :
    - Un équipement de manutention mécanique est disponible si nécessaire pour manipuler les bouteilles de réfrigérant ;
    - Tout l'équipement de protection individuelle est disponible et est correctement utilisé ;
    - Le processus de récupération est suivi à tout moment par une personne compétente ;

- L'équipement et les bouteilles de récupération sont conformes aux normes concernées.
- 4. Évacuer le système frigorifique, si possible.
- 5. Si un vide ne peut être créé, mettre en place un collecteur afin de pouvoir retirer le réfrigérant depuis divers emplacements sur le système.
- 6. S'assurer que la bouteille se trouve sur les balances avant de commencer les opérations de récupération.
- 7. Démarrer la machine de récupération et la faire fonctionner conformément aux instructions.
- 8. Ne pas trop remplir les bouteilles (pas plus de 80 % du volume en charge liquide).
- 9. Ne pas dépasser la pression maximale de fonctionnement de la bouteille, même temporairement.
- 10. Lorsque les bouteilles ont été remplies correctement et que le processus est terminé, s'assurer que les bouteilles et l'équipement sont rapidement retirés du site et que les vannes d'isolement alternatives sur l'équipement sont fermées.
- 11. Le réfrigérant récupéré ne doit pas être chargé dans un autre système frigorifique, à moins qu'il ait été nettoyé et contrôlé.

#### **DÉPANNAGE**

- Toute intervention de brasage devra être réalisée par des braseurs qualifiés.
- Le remplacement de tuyauteries ne pourra être réalisé qu'avec du tube cuivre conforme à la norme NF EN 12735-1.
- Détection de fuites, cas de test sous pression :
  - Ne jamais utiliser d'oxygène ou d'air sec, risques d'incendie ou d'explosion,
  - Utiliser de l'azote déshydratée ou un mélange d'azote et de réfrigérant indiqué sur la plaque signalétique,
  - La pression du test côté basse et haute pression ne doit pas dépasser 42 bars dans le cas où l'appareil est équipé de l'option manomètre.
- Pour les tuyauteries du circuit haute pression réalisées avec du tube cuivre d'un diamètre = ou > à 1''5/8, un certificat §2.1 suivant la norme NF EN 10204 sera à demander au fournisseur et à conserver dans le dossier technique de l'installation.
- Les informations techniques relatives aux exigences de sécurité des différentes directives appliquées, sont indiquées sur la plaque signalétique. Toutes ces informations doivent être enregistrées sur la notice d'installation de l'appareil qui doit figurer dans le dossier technique de l'installation : modèle, code, numéro de série, TS maximum et minimum, PS, année de fabrication, marquage CE, adresse du fabricant, réfrigérant et poids, paramètres électriques, performances thermodynamique et acoustique.

#### **ÉTIQUETAGE**

- L'équipement doit être étiqueté, mentionnant qu'il a été mis hors service et que le réfrigérant a été vidangé.
- L'étiquette doit être datée et signée.
- Pour les appareils contenant un réfrigérant inflammable, veiller à ce que des étiquettes soient apposées sur l'équipement, indiquant qu'il contient un réfrigérant inflammable.

#### **RÉCUPÉRATION**

- Lors de la vidange du réfrigérant, pour l'entretien ou la mise hors service, il est recommandé de suivre les bonnes pratiques pour vidanger l'intégralité du réfrigérant en toute sécurité.
- Lors du transfert de réfrigérant dans une bouteille, veiller à utiliser une bouteille de récupération adaptée au réfrigérant. Veiller à prévoir le bon nombre de bouteilles pour récupérer l'intégralité du fluide. Toutes les bouteilles à utiliser doivent être conçues pour la récupération de réfrigérant et doivent être étiquetées pour ce réfrigérant spécifique. Les bouteilles doivent être équipées d'une soupape de dépression et de vannes d'arrêt en bon état de fonctionnement. Les bouteilles de récupération vides sont évacuées et, si possible, refroidies avant la récupération.
- L'équipement de récupération doit être en bon état de fonctionnement, les consignes d'utilisation de l'équipement doivent être à portée de main et l'équipement doit être adapté au réfrigérant concerné, y compris, le cas échéant, au réfrigérant inflammable. De plus, un ensemble de balances calibrées doivent être disponibles et en bon état de fonctionnement. Les tuyaux doivent être complets, ne pas présenter de fuite ni de raccord déconnecté, et doivent être en bon état. Avant d'utiliser la machine de récupération,

vérifier qu'elle est en bon état de fonctionnement, qu'elle a été bien entretenue et que les composants électriques associés sont étanchéifiés afin d'éviter tout départ de feu en cas de libération de réfrigérant. En cas de doute, consulter le fabricant.

- Le réfrigérant récupéré doit être renvoyé au fournisseur de réfrigérant dans sa bouteille de récupération, avec une note de transfert de déchets. Ne pas mélanger différents fluides frigorigènes dans les unités de récupération, et en particulier dans les bouteilles.
- Si le compresseur est déposé ou que l'huile du compresseur est vidangée, vérifier que le réfrigérant a bien été évacué afin d'éviter qu'il ne se mélange au lubrifiant. Le processus de vidange doit être réalisé avant de renvoyer le compresseur au fournisseur. Seule la chauffe électrique du corps du compresseur peut être utilisée pour accélérer ce processus. Lorsque tous les liquides d'un système sont vidangés, cette opération doit être réalisée en toute sécurité.



### **Recyclage**

Ce symbole requis par la directive européenne DEEE 2012/19/UE (directive relative aux déchets d'équipements électriques et électroniques) signifie que votre appareil ne doit pas être jeté à la poubelle. Il fera l'objet d'une collecte sélective en vue de sa réutilisation, de son recyclage ou de sa valorisation. S'il contient des substances potentiellement dangereuses pour l'environnement, celles-ci seront éliminées ou neutralisées. Renseignez-vous auprès de votre revendeur sur les modalités de recyclage.

# MINI HEATER

## Notice d'installation et d'utilisation

### INDEX

1. Spécifications
2. Conditions de transport
3. Dimension
4. Installation et connexion
5. Câblage électrique
6. Fonctionnement du contrôleur
7. Guide de dépannage
8. Schéma éclaté
9. Entretien
10. Accessoires

Nous vous remercions d'avoir choisi la pompe à chaleur de piscine Mini heater pour chauffer l'eau de votre piscine, elle va chauffer l'eau de votre piscine et la maintenir à une température constante lorsque la température ambiante se situe au-dessus de 12°C.



**ATTENTION : Ce manuel contient toutes les informations nécessaires à l'utilisation et à l'installation de votre pompe à chaleur.**

L'installateur doit lire le manuel et suivre attentivement les instructions d'utilisation, de mise en œuvre et de sécurité du produit.

L'installateur est responsable de l'installation de l'appareil et du respect des instructions du fabricant et de la réglementation en vigueur. Le non-respect de ce manuel implique l'exclusion de toute garantie.

Le fabricant décline toute responsabilité des dommages occasionnés aux personnes, objets et des erreurs dues à l'installation dans de mauvaises conditions.

Toute utilisation à des fins non conformes à celles qui sont à l'origine de sa fabrication sera considérée comme dangereuse.

# 1. Spécifications

## 1.1 Pompe à chaleur de Piscine

Unité	HPM20	HPM30	HPM40
Code	71245	71258	71606
<b>* Puissance de chauffage Air28°C/Eau28°C/Humidité 80%</b>			
Puissance restituée (kW)	2.5	4.2	5.5
Consommation (kW)	0.59	1	1.31
COP	4.2	4.2	4.2
<b>* Puissance de chauffage Air15°C/Eau26°C/Humidité 70%</b>			
Puissance restituée (kW)	1.9	3.2	4.2
Consommation (kW)	0.56	0.91	1.2
COP	3.4	3.5	3.5
<b>* Données</b>			
Alimentation électrique (V)	220-240V~50Hz/1PH		
Courant Nominal (A)	2.6	4.4	5.8
Disjoncteur préconisé(A)	7.5	10	16
Volume de la piscine conseillé max**(m <sup>3</sup> )	<20	<30	<40
Débit d'eau minimum et recommandé (m <sup>3</sup> /h)	2	2	2.5
Pression de service maximale/minimale (Mpa)	4.2/0.05		
Pression de l'eau (Kpa)	15	15	15
Échangeur de chaleur	Titane en PVC		
Indice de protection	IPX4		
Diamètre entrée-sortie (mm)	38/32		
Niveau de bruit à 10m dB(A)	48	46	46
Niveau de bruit à 1m dB(A)	57	55	55
Gaz réfrigérant R32 (g)	160	290	400
<b>* Dimension &amp; Poids</b>			
Poids net (kg)	18	26	30
Poids brut (kg)	19	28.5	33
Dimension (mm)	313*364.5*428.5	435*436.5*511.5	515*487*541.5
Dimension d'emballage (mm)	380*455*500	496*525*575	570*570*605

\* Les données ci-dessus sont sujettes à modification sans préavis.

\*\* Consultez notre emballage ou notre site Web pour plus de détails.

## 2. Conditions de transport

### 2.1 Consignes de livraison du colis



Pour le transport, la pompe à chaleur est fixée en usine sur une palette et protégée par un cartonnage. Afin d'éviter les dommages, la pompe à chaleur doit être transportée **emballée sur sa palette**.

Même si le transport est à la charge du fournisseur, tout matériel peut être endommagé lors de son acheminement chez le client et il est de la responsabilité du destinataire de s'assurer de la conformité de la livraison. Le destinataire doit émettre des réserves écrites à la réception sur le bordereau de livraison du transporteur s'il constate des dégradations de l'emballage. **NE PAS OUBLIER DE CONFIRMER PAR LETTRE RECOMMANDÉE AU TRANSPORTEUR SOUS 48 HEURES.**

### 2.2 Consignes de stockage



Une pompe à chaleur doit être **stockée et déplacée en position verticale** dans son emballage d'origine. Si ce n'est pas le cas, elle ne peut être mise en œuvre immédiatement. Un délai minimum de 24 heures sera nécessaire avant de mettre le produit sous tension.

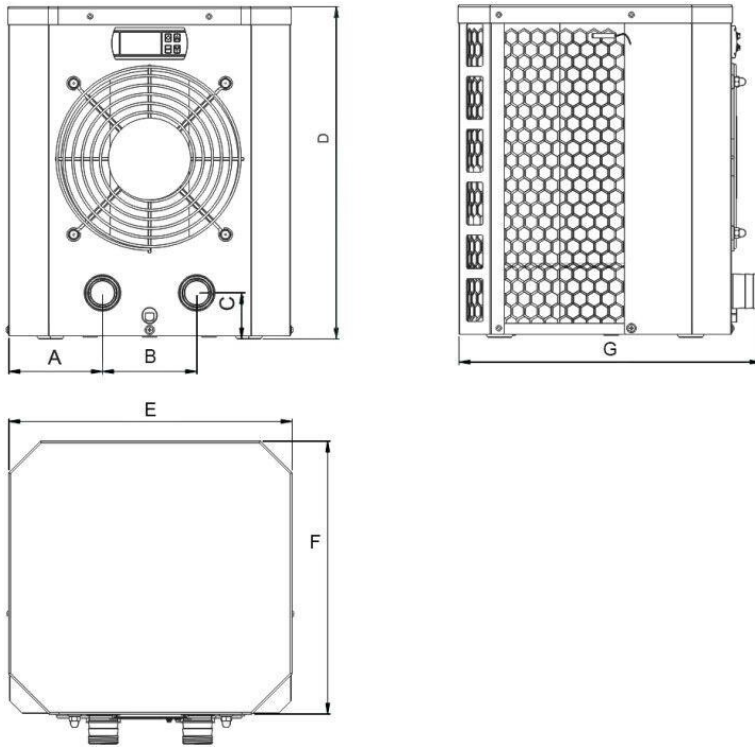
#### INTERDICTION



### 2.3 Consignes lors du transfert de la pompe à chaleur vers son emplacement final

Lors du déballage du produit et du transfert de sa palette d'origine vers son emplacement final, il faut maintenir la pompe à chaleur en position verticale. Les raccords hydrauliques ne sont pas là pour assurer la fonction de poignée de levage, bien au contraire : **solliciter de tout le poids de la pompe les sorties et entrée des raccords hydrauliques peut endommager définitivement le produit. Le fabricant ne pourrait alors être tenu responsable en cas de casse.**

### 3. Dimension



Item / (mm)	A	B	C	D	E	F	G
<b>HPM20</b>	90.4	130	50	428.5	313	300	364.5
<b>HPM30</b>	116.5	200	50	511.5	435	365	436.5
<b>HPM40</b>	134.6	260	50	541.5	515	421	487



## 4. Installation et connexion

### **Attention:**

Avant l'installation, merci de prendre connaissance des indications ci-dessous :

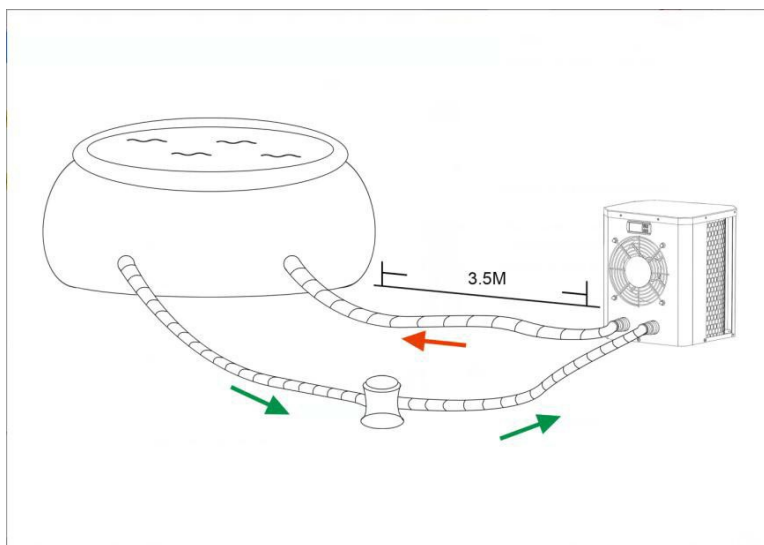
1. Tous les produits contenant des liquides chimiques, doivent être installés en aval de la pompe à chaleur piscine.
2. Toujours laissez la pompe à chaleur piscine verticale. Si la machine a été penché durant son transport, attendez au moins 24 heures avant de démarrer la pompe à chaleur.

### 4.1 Positionnement de la pompe à chaleur piscine

L'appareil peut être installé presque n'importe où à l'extérieur, à condition que les trois facteurs soient satisfaits :

#### 1. Une bonne ventilation - 2. Une alimentation électrique stable et fiable - 3. Un système d'eau recyclée

L'unité peut être installée à n'importe quel endroit à l'extérieur à condition que les distances minimales montrées dans le schéma (ci-dessous) soient conformes. Pour l'installation à l'intérieur, demandez conseil à votre installateur. L'installation dans un endroit venteux ne pose aucun problème, sauf si un chauffage au gaz se trouve à proximité (risques dus aux flammes).



**ATTENTION** : L'unité ne doit pas être installée dans une zone où la ventilation d'air est limitée ou les emplacements qui ne peuvent pas fournir de façon continue de l'air, s'assurer que l'entrée d'air ne puisse jamais être obstruée. Les feuilles et autres débris peuvent se coller sur l'évaporateur, ce qui réduit son efficacité et affectera sa durée de vie.

### 4.2 Mise en service initiale de l'unité

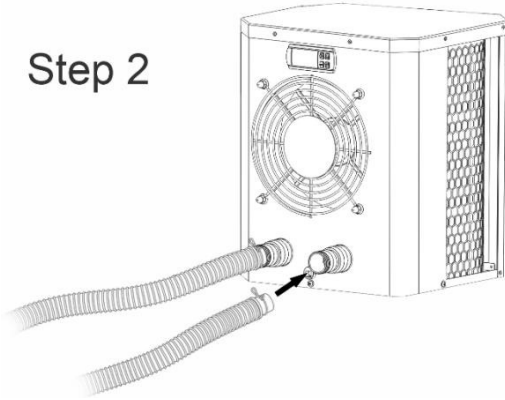
**Nota** : Afin de chauffer l'eau de la piscine (ou du spa), la pompe de filtration doit être en marche de manière à faire circuler l'eau à travers la pompe à chaleur. Si l'eau ne coule pas, la pompe à chaleur déclenchera la protection contre la surchauffe et provoquera un arrêt.

### 4.3 Raccordement des tuyaux

Step 1



Step 2



**Note :**

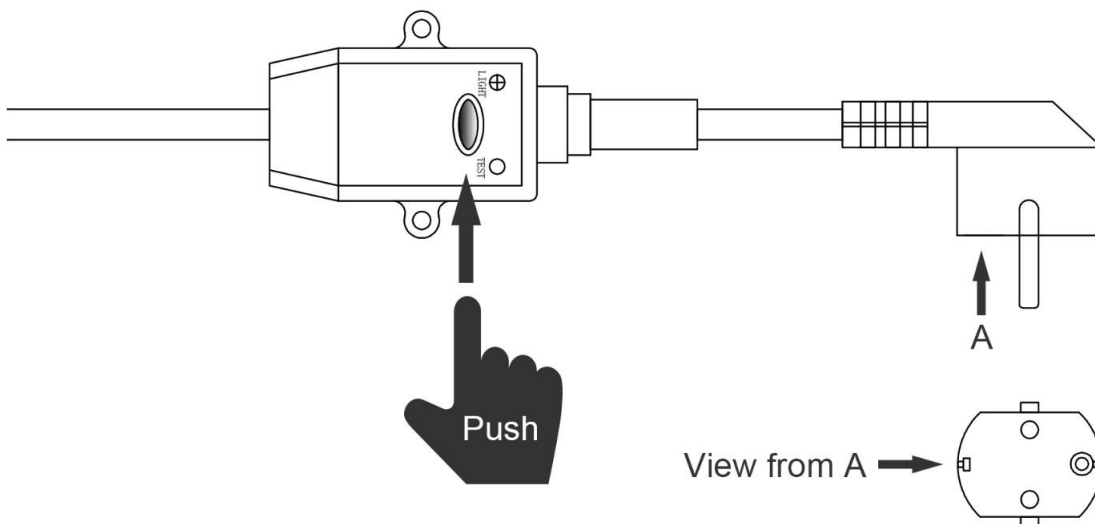
Seule la pompe à chaleur est fournie. Tous les autres éléments, y compris les tuyaux, doivent être fournis par l'utilisateur ou l'installateur.

### 4.4 Raccordement électrique

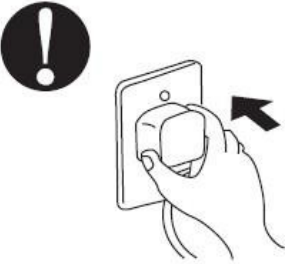
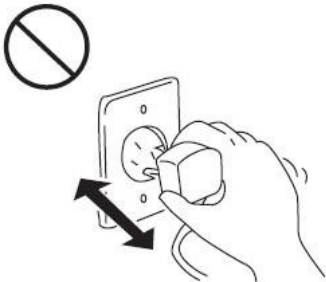
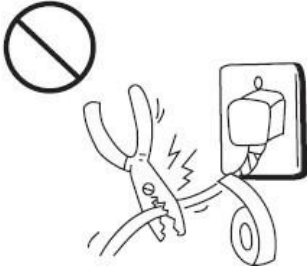
Avant de brancher l'appareil, vérifiez que la tension d'alimentation correspond à la tension de fonctionnement de la pompe à chaleur.

La prise RCD est fournie avec un câble d'alimentation offrant une protection électrique.

Le bouton de test sert à vérifier la capacité du disjoncteur.



## **Attention:**

<p><b>Assurez-vous que la prise électrique est conforme</b></p> <p>Si la prise n'est pas bien branchée, vous risquez une décharge électrique, un échauffement et un risque d'incendie.</p> 	<p><b>Ne jamais débrancher la prise électrique pendant le fonctionnement de la pompe à chaleur</b></p> <p>Sinon, vous risquez une décharge électrique un incendie suite à la surchauffe.</p> 	<p><b>Ne jamais utiliser des câbles électriques endommagés ou non conforme à leur utilisation</b></p> <p>Sinon, cela pourrait provoquer une décharge électrique, un échauffement et un risque d'incendie.</p> 
--	--	---

Une fois que toutes les connexions ont été faites, merci de suivre ces étapes:

- (1) Allumez votre pompe de filtration, vérifiez l'absence de fuites d'eau et le débit au niveau de la piscine
- (2) Activez l'alimentation électrique de l'appareil, puis appuyez sur la touche ON / OFF du contrôleur.
- (3) Après un fonctionnement de quelques minutes, assurez-vous que l'air ventilé est froid.
- (4) Lorsque vous désactivez la pompe de filtration, l'unité doit également être désactivée automatiquement, sinon, veuillez contrôler le commutateur de débit.

En fonction de la température initiale de l'eau dans la piscine et la température de l'air, il est nécessaire de faire fonctionner l'installation pendant plusieurs jours pour chauffer l'eau à la température souhaitée.

Une bonne protection de la piscine (couverture, bâche solaire) peut réduire considérablement la durée requise.

### **Temporisation :**

L'unité est équipée d'une protection intégrée de redémarrage temporisée de 3 minutes. La temporisation est une partie intégrante du circuit de commande et de protection du compresseur.

La fonction de temporisation interdit tout redémarrage automatiquement de l'appareil (pendant environ 3 minutes) après chaque interruption sur la commande. Même une brève interruption de courant active la temporisation de 3 minutes et empêche le redémarrage de l'appareil jusqu'à ce que le compte à rebours de 3 minutes soit terminé.

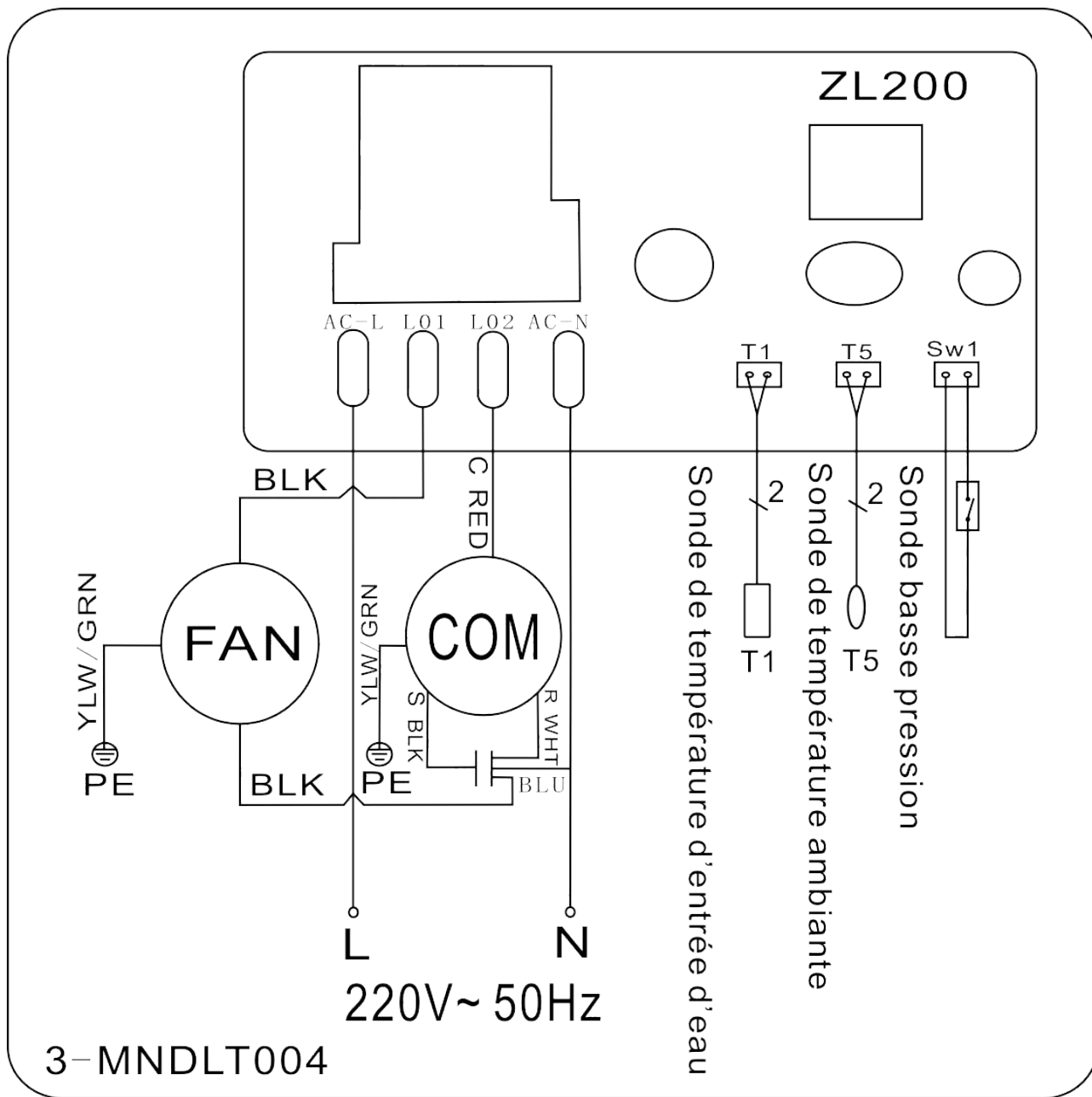
### **4.5 Condensation**

L'air aspiré dans la pompe à chaleur est fortement refroidi par le fonctionnement de la pompe à chaleur pour chauffer l'eau de la piscine, ce qui peut provoquer la condensation sur les ailettes de l'évaporateur. Le niveau de la condensation peut être de plusieurs litres par heure à une humidité relative élevée. Ceci est parfois considérées à tort comme une fuite d'eau.

## 5. Câblage électrique

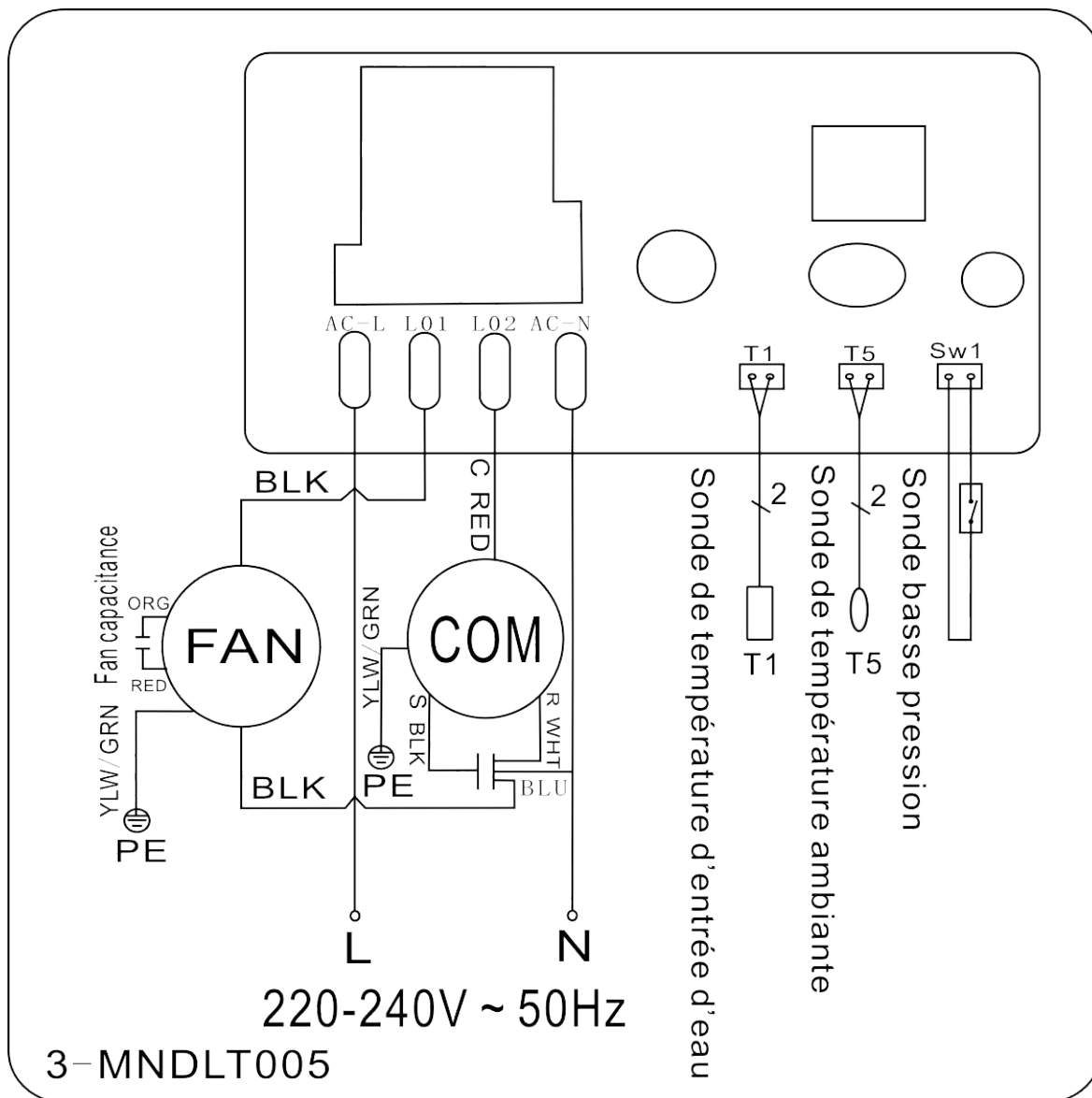
### 5.1 Schéma de câblage de la pompe à chaleur de piscine

HPM20



## 5.2 Schéma de câblage de la pompe à chaleur de piscine

HPM30/HPM40



### NOTE :

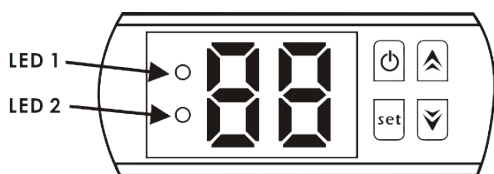
(1) Le schéma de câblage électrique ci-dessus est seulement valable pour votre référence, veuillez utiliser le schéma de câblage affiché sur la machine.

(2) La pompe à chaleur de piscine doit être bien raccordée à la terre, bien que l'échangeur de chaleur soit électriquement isolé du reste de l'unité. La mise à la terre de l'unité est toujours nécessaire pour vous protéger contre les courts-circuits éventuels de l'unité.

**Sectionneur :** Un moyen d'interruption électrique (disjoncteur, interrupteur à fusibles) doit être en vue et facilement accessible de l'unité. C'est une pratique courante et de sécurité pour les pompes à chaleur résidentielles et commerciales. Il permet la mise hors tension à distance de l'équipement sans surveillance et d'isoler l'alimentation à l'unité alors que l'appareil est en réparation.

## 6. Fonctionnement du contrôleur

### 6.1 Les fonctions du tableau de commande LED





Lorsque la pompe à chaleur est en cours de fonctionnement, l'écran LED affichera la température d'arrivée d'eau.

Lorsque la pompe à chaleur fonctionne, la LED 1 s'éclaire.



Lorsque la pompe à chaleur est en défaut, la LED 2 s'éclaire.



### 6.2 Démarrer ou arrêter la pompe à chaleur

Appuyez sur  pour démarrer la pompe à chaleur, l'écran affiche la température souhaitée pendant 5 secondes et ensuite la température d'entrée d'eau.

Appuyez sur  pour arrêter la pompe à chaleur.





### 6.3 Réglage de la température d'eau :

Appuyez sur  et  pour sélectionner la température souhaitée (valeur : 10 - 42°C).

Appuyez sur  et  pour sauvegarder la valeur sélectionnée.

NOTE : Attention la pompe à chaleur ne fonctionne que si le système de filtration est en route.

### 6.4 Comment vérifier les paramètres.

En mode de veille ou de fonctionnement, appuyez sur , ensuite appuyez sur  ou  afin de choisir le paramètre d0 ou d1, appuyez sur , pour le sélectionner et afficher la valeur.

Paramètre	Paramètre
d0	La température ambiante
d1	Température de l'eau

Note : Les valeurs ne peuvent être modifiées par les utilisateurs.

## 7. Guide de dépannage

### 7.1 Code d'erreur affichée sur le tableau de commande

Dysfonctionnement	Code d'erreur	Raison	Solution
Protection trop basse de la température ambiante	P0	1. La température ambiante est inférieure à 12 °C 2. Panne du contrôleur.	1. Attendez que la température ambiante monte à 13 °C. 2. Remplacer le contrôleur.
Défaillance du capteur de température de l'eau	P1	Capteur de température d'eau circuit ouvert ou court-circuit.	Remplacez le capteur de température d'eau.
Capteur de température ambiante	P2	Capteur de température ambiante en circuit ouvert ou en court-circuit.	Remplacez le capteur de température ambiante.
Protection basse pression	EL	1. Interrupteur basse pression déconnecté ou en panne 2. Fuite de gaz.	Mandater un technicien habilité pour intervenir sur le circuit gaz.

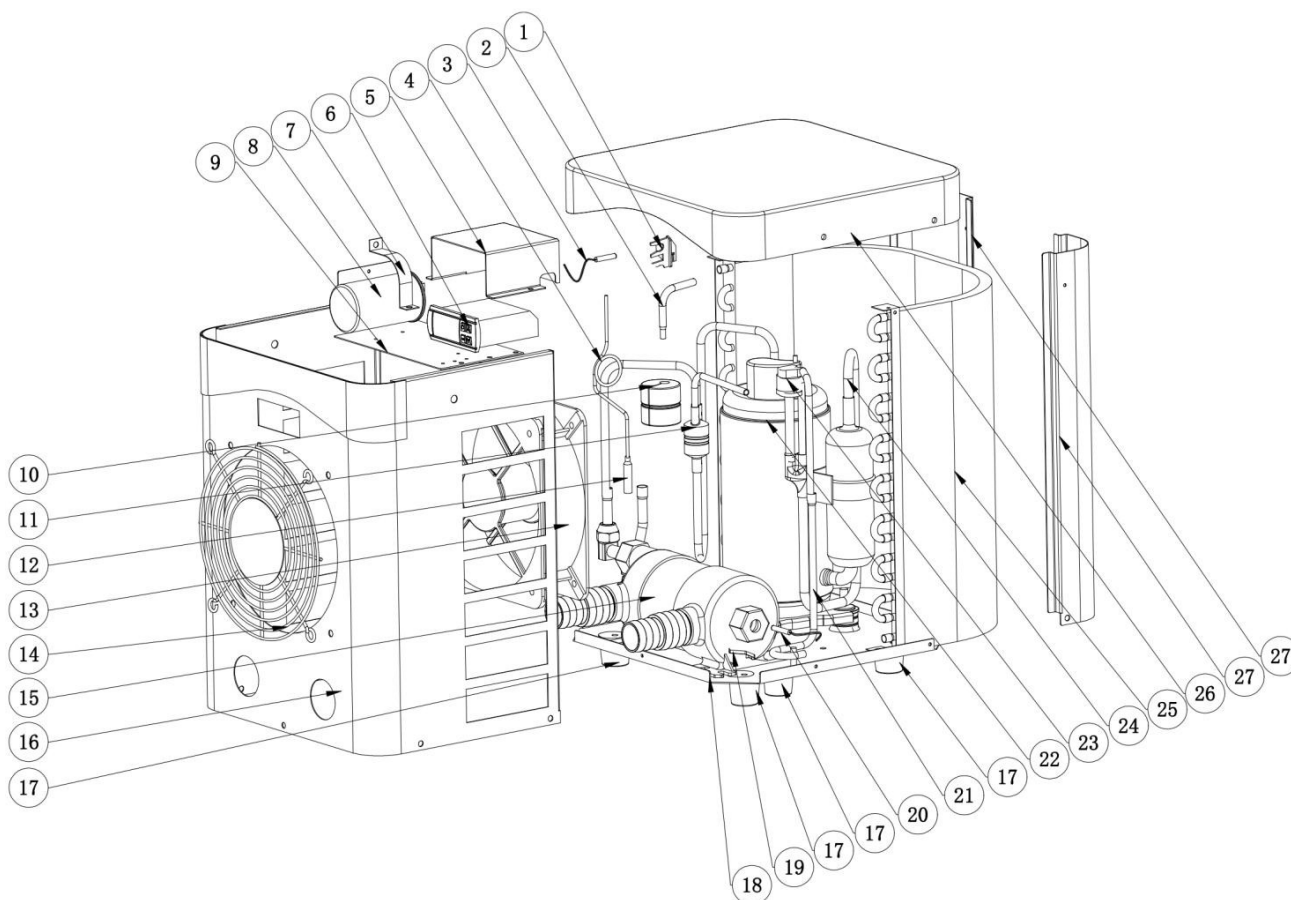
## 7.2 Autres dysfonctionnements et Solutions (Pas affiché sur le contrôleur LED)

Dysfonctionnements	Observations	Raisons	Solution
Pompe à chaleur ne fonctionne pas	Aucun affichage sur le contrôleur à LED	Pas d'alimentation.	Vérifiez le disjoncteur et le raccordement électrique
	Contrôleur à LED affiche la température réelle de l'eau.	<ol style="list-style-type: none"> <li>1. Température de l'eau atteint la valeur fixée, la pompe à chaleur est à l'arrêt en état de veille.</li> <li>2. Pompe à chaleur commence juste à fonctionner (3 minutes)</li> </ol>	<ol style="list-style-type: none"> <li>1. Vérifiez le réglage de température de l'eau.</li> <li>2. Attendre la démarrage de la pompe à chaleur, quelques minutes.</li> </ol>
Fonctionnement court	Contrôleur à LED affiche la température réelle de l'eau, aucun code d'erreur ne s'affiche	<ol style="list-style-type: none"> <li>1. Ventilateur ne fonctionne pas</li> <li>2. La ventilation d'air n'est pas suffisante</li> <li>3. Réfrigérant ne suffit pas.</li> </ol>	<ol style="list-style-type: none"> <li>1. Vérifiez les connexions des câbles entre le moteur et le ventilateur, le cas échéant, il doit être remplacé.</li> <li>2. Vérifiez l'emplacement de l'unité de pompe à chaleur, et éliminez tous les obstacles pour faire bonne ventilation.</li> <li>3. Remplacez ou réparez la pompe à chaleur</li> </ol>
Taches d'eau	Fuites d'eau sous la pompe à chaleur	<ol style="list-style-type: none"> <li>1. Condensat venant de l'évaporateur en fonctionnement.</li> <li>2. Infiltration d'eau</li> </ol>	<ol style="list-style-type: none"> <li>1. Aucune action, fonctionnement normal de la pompe à chaleur.</li> <li>2. Vérifiez s'il y a une fuite à l'échangeur de chaleur en titane.</li> </ol>



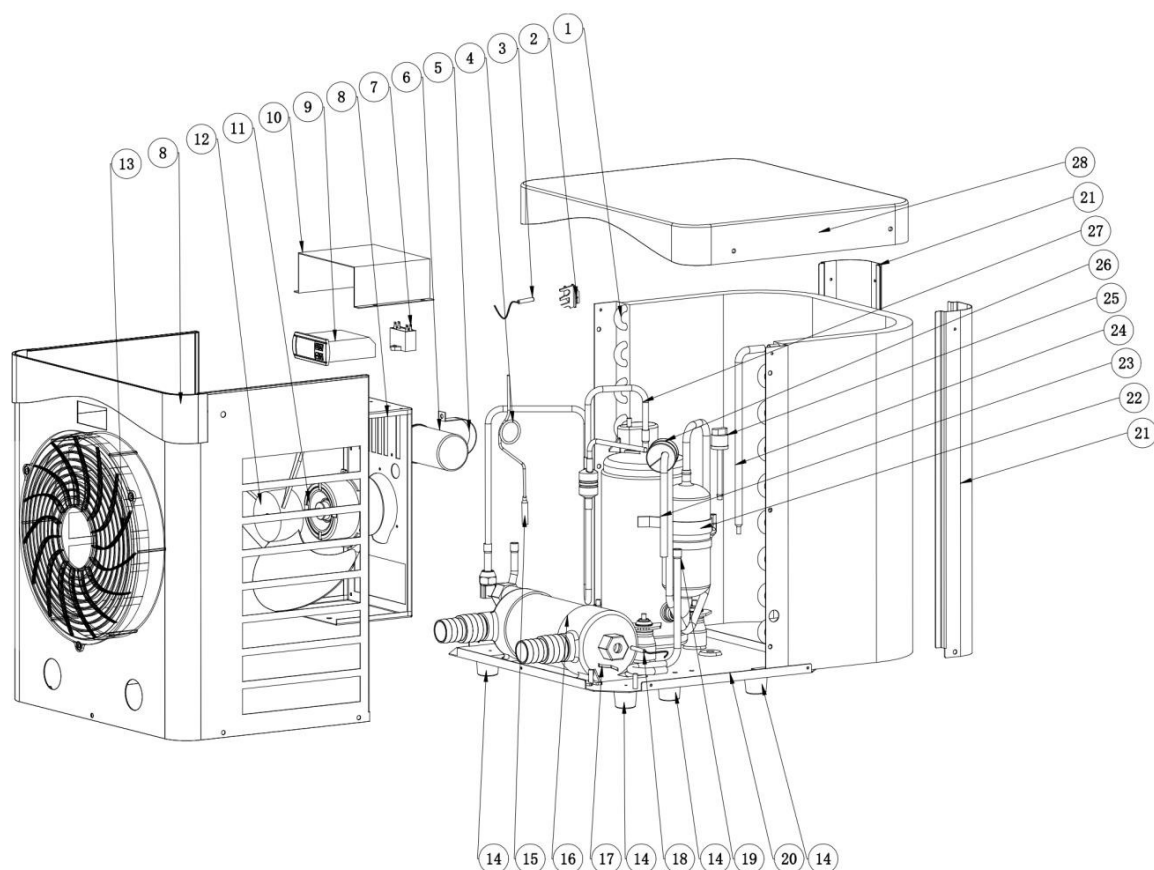
## 8. Schéma éclaté

Unité : HPM20



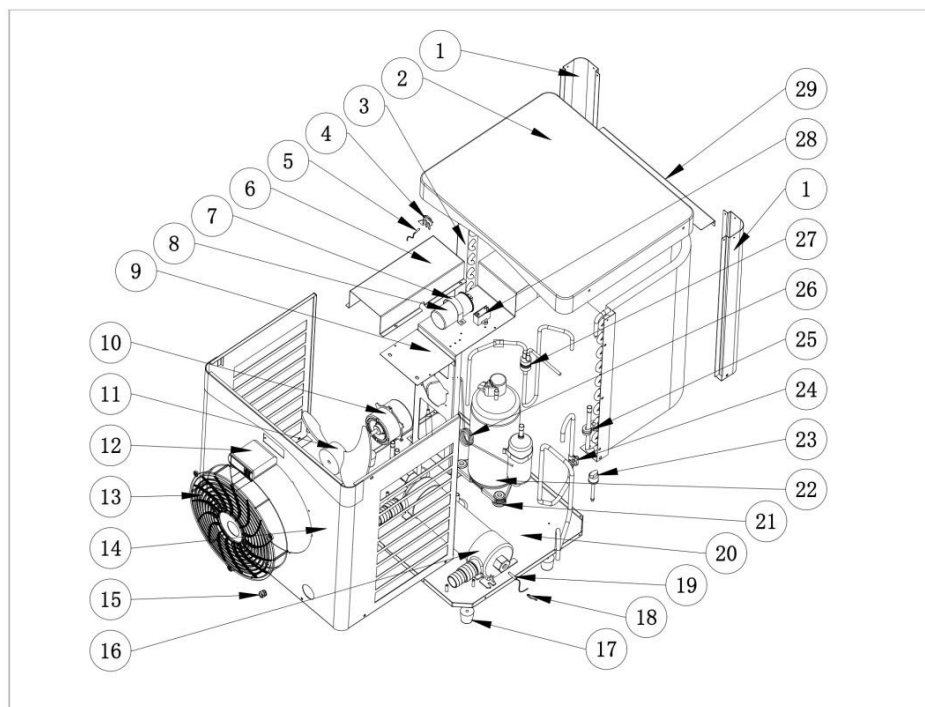
N°	Désignation	HPM20	N°.	Désignation	HPM20
1	Clip du capteur de	102040891	15	Intercambiador de titanio	102040891
2	Tube gaz	108680047	16	Panneau avant	108680047
3	Sonde de température T5	136020168	17	Pieds en caoutchouc	136020168
4	Capillaire	108680045	18	Base	108680045
5	Coffret électrique	108010025	19	Agrafe	108010025
6	Contrôleur	117110068	20	Sensor temperatura de agua T1	117110068
7	Clip de fixation	113050123	21	Colector de cobre	113050123
8	Condensateur compresseur	101000233	22	Compresor	101000233
9	Panneau supérieur ventilateur	116000091	23	Minipresostato de baja presion	116000091
10	Marteau en caoutchouc	113010300	24	Tube gaz	113010300
11	Tubería de retorno de gas	103000236	25	Evaporador	103000236
12	Tube gaz	133400001	26	Panneau supérieur	133400001
13	Support ventilateur	108680046	27	Pilier arrière gauche	108680046
14	Grille de protection ventilateur				

Unité : HPM30



N°	Désignation	HPM30	N°	Désignation	HPM30
1	Evaporateur	103000237	15	Tube gaz	113100027
2	Clip du capteur de température	133020010	16	Echangeur en titane	102040900
3	Sonde de température ambiante	117110079	17	Agrafe	108010025
4	Capillaire	109000038	18	Sonde température d'arrivée d'eau T1	117110068
5	Clip de fixation	108010006	19	Tube gaz	113050125
6	Condensateur compresseur	111000011	20	Base	108690033
7	Condensateur ventilateur	111000034	21	Pilier arrière gauche	108690048
8	Panneau avant	108690047	22	Compresseur	101000232
9	Contrôleur	117020189	23	Tube gaz	113020467
10	Coffret électrique	108690015	24	Tube gaz	113420129
11	Moteur ventilateur	112000054	25	Sonde basse pression	116000091
12	Ventilateur	132000024	26	Marteau en caoutchouc	136020026
13	Grille de protection ventilateur	133020052	27	Tube gaz	113010351
14	Pieds en caoutchouc	136020168	28	Panneau supérieur	133330004

Unité: HPM40



N°	Désignation	HPM40	N°	Désignation	HPM40
1	Pilier arrière gauche	108950009	16	Echangeur en titane	117020363
2	Panneau supérieur	133440001	17	Pieds en caoutchouc	136020168
3	Evaporateur	103000343	18	Clip du capteur de température de	108010025
4	Clip de fixation sonde	133020010	19	Sonde température d'arrivée d'eau T1	117110068
5	Sonde température d'arrivée d'eau T1	117110068	20	Base	108950007
6	Coffret électrique	108950006	21	Pieds en caoutchouc du	101000241
7	Clip de fixation	108010006	22	Compresseur	101000241
8	Condensateur compresseur	111000012	23	Sonde basse pression	116000091
9	Support de moteur de ventilateur	108950010	24	Tube gaz	113020602
10	Moteur ventilateur	112000079	25	Contrôleur	136020018
11	Ventilateur	132000024	26	Capillaire	109000038
12	Contrôleur	117020302	27	Tube gaz	113020624
13	Grille de protection ventilateur	133020052	28	Condensateur ventilateur	111000034
14	Panneau avant	108950008	29	Plaque de support du support	108950011
15	Passerelle	142000126	30	Pieds en caoutchouc du	101000241

## 9. Entretien

(1) Vous devez vérifier le circuit d'eau régulièrement pour éviter l'air entrant dans la tuyauterie et la présence de débit trop faible car cela réduirait les performances et la fiabilité de la pompe à chaleur.

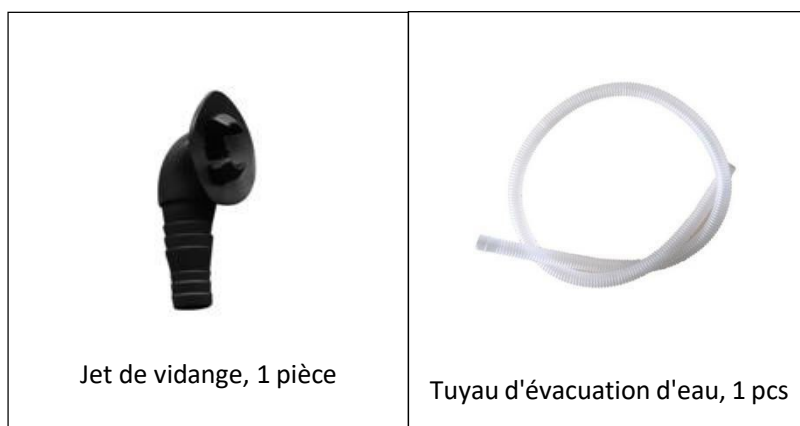
(2) Nettoyez votre piscine et le système de filtration régulièrement.

(3) Veuillez toujours vider l'eau de la pompe à chaleur pendant l'hiver ou lorsque la température ambiante descend en dessous de 0 °C, sinon l'échangeur en titane sera endommagé en raison du gel, dans ce cas, votre garantie sera perdue.

(4) Remplir entièrement le système avec de l'eau avant de faire fonctionner l'unité à nouveau.

(5) Lorsque l'unité est en cours de fonctionnement, il y aura toujours un peu d'eau de condensation qui se décharge en dessous.

## 10. Accessories



### 1 ASPECTS GÉNÉRAUX

- Conformément à ces dispositions, le vendeur garantit que le produit correspondant à cette garantie ("le Produit") ne présente aucun défaut de conformité à la date de sa livraison.
- La Période de Garantie pour le Produit est de deux (2) ans et elle sera calculée à partir du moment de sa remise à l'acheteur.
  - S'il se produisait un défaut de conformité du Produit et si l'acheteur le notifiait au vendeur pendant la Période de Garantie, le vendeur devrait réparer ou remplacer le Produit à ses propres frais à l'endroit qu'il jugerait opportun, à moins que cela soit impossible ou disproportionné.
  - Lorsque le Produit ne pourra être ni réparé ni remplacé, l'acheteur pourra demander une réduction proportionnelle du prix ou, si le défaut de conformité est suffisamment important, la résolution du contrat de vente.
  - Les parties remplacées ou réparées en vertu de cette garantie n'élargiront pas le délai de la garantie du Produit original, celles-ci étant cependant couvertes par leur propre garantie.
- Pour l'effectivité de la présente garantie, l'acheteur devra justifier la date d'acquisition et de remise du Produit.
- Quand plus de six mois se seront écoulés depuis la remise du Produit à l'acheteur et que ce dernier alléguera un défaut de conformité de ce Produit, l'acheteur devra justifier l'origine et l'existence du défaut allégué.
- Le présent Certificat de Garantie ne limite pas, ni préjuge les droits correspondant aux consommateurs en vertu des normes nationales de nature impérative.


### 2 CONDITIONS PARTICULIÈRES

- La présente garantie couvre les produits auxquels ce manuel fait référence.
- Le présent Certificat de Garantie ne sera applicable que dans les pays de l'Union européenne.
- En vue de l'efficacité de cette garantie, l'acheteur devra suivre strictement les indications du Fabricant comprises dans la documentation qui est jointe au Produit, quand celle-ci sera applicable selon la gamme et le modèle du Produit.
- Quand un calendrier sera spécifié pour le remplacement, la maintenance ou le nettoyage de certaines pièces ou de certains composants du Produit, la garantie sera valable uniquement lorsque ledit calendrier aura été suivi correctement.

### 3 LIMITATIONS

- La présente garantie ne sera applicable que dans les ventes réalisées aux consommateurs, considérant comme "consommateur", toute personne qui achète le Produit à des fins qui n'entrent pas dans le cadre de son activité professionnelle.
- Aucune garantie n'est concédée quant à l'usure normale due à l'utilisation du produit. En ce qui concerne les pièces, composants et/ou matériels fongibles ou consommables comme les piles, les ampoules, etc., il faudra respecter, le cas échéant, ce qui est stipulé dans la documentation qui est jointe au Produit.
- La garantie ne couvre pas les cas où le Produit : (I) a fait l'objet d'un traitement incorrect ; (II) a été réparé, entretenu ou manipulé par une personne non autorisée ou (III) a été réparé ou entretenu avec des pièces n'étant pas d'origine. Quand le défaut de conformité du Produit sera la conséquence d'une installation ou d'une mise en marche incorrectes, la présente garantie répondra uniquement lorsque ladite installation ou ladite mise en marche sera incluse dans le contrat d'achat et de vente du Produit et aura été réalisée par le vendeur ou sous sa responsabilité.

 **WARNHINWEISE**

	Dieses Symbol weist darauf hin, dass weitere Informationen in der Bedienungsanleitung oder im Installationshandbuch verfügbar sind.		Dieses Symbol weist darauf hin, dass dieses Gerät R32 verwendet, ein Kältemittel mit niedriger Brenngeschwindigkeit.
	Dieses Symbol weist darauf hin, dass die Bedienungsanleitung sorgfältig gelesen werden sollte.		Dieses Symbol weist darauf hin, dass ein Wartungstechniker dieses Gerät unter Beachtung der Bedienungsanleitung handhaben sollte.

**ALLGEMEINE WARNHINWEISE**

- Durch die Nichteinhaltung der Warnhinweise können die Geräte im Schwimmbad beschädigt oder schwere bis tödliche Verletzungen verursacht werden.
- Nur ein qualifizierter Fachmann in den betreffenden technischen Bereichen (Elektrik, Hydraulik, Kältetechnik) ist befugt, Wartungs- oder Reparaturarbeiten am Gerät auszuführen. Der qualifizierte Techniker muss beim Eingriff am Gerät eine persönliche Schutzausrüstung (z. B. Schutzbrille, Schutzhandschuhe usw.) tragen, damit jede mit dem Eingriff am Gerät verbundene Verletzungsgefahr vermieden wird.
- Vor jedem Eingriff am Gerät muss dieses von der Stromversorgung getrennt und gegen ungewollte Einschaltung gesichert werden.
- Dieses Gerät ist nicht für die Verwendung durch Personen (einschließlich Kinder ab 8 Jahren) mit eingeschränkten körperlichen, sensorischen oder geistigen Fähigkeiten bzw. mangelnder Erfahrung ausgelegt, es sei denn:
  - sie werden von einer für ihre Sicherheit verantwortlichen Person überwacht oder hinsichtlich der Verwendung des Gerätes eingewiesen, und
  - sie haben die mit dessen Nutzung verbundenen Risiken verstanden.
- Kinder müssen beaufsichtigt werden, um sicherzustellen, dass sie nicht mit dem Gerät spielen.
- Die Installation des Geräts ist gemäß den Anweisungen des Herstellers sowie unter Einhaltung der geltenden lokalen und nationalen Normen durchzuführen. Der Installateur ist für die Installation des Gerätes und für die Einhaltung der nationalen Vorschriften hinsichtlich der Installation verantwortlich. Der Hersteller übernimmt keine Haftung im Fall einer Nichteinhaltung der geltenden nationalen Installationsnormen.
- Mit Ausnahme der in dieser Anleitung beschriebenen einfachen Wartung durch den Benutzer muss das Produkt durch einen qualifizierten Fachmann gewartet werden.
- Eine falsche Installation und/oder ein unsachgemäßer Gebrauch kann zu Sachschäden und schweren Körperverletzungen, ja sogar zum Tod führen.
- Die zulässigen Gleichgewichtswerte des Wassers für den Betrieb des Gerätes können den Garantiebedingungen entnommen werden.
- Jede Deaktivierung, Entfernung oder Umgehung eines der in das Gerät integrierten Sicherheitselemente führt automatisch zu einer Aufhebung der Garantie; das gleiche gilt für die Verwendung von Ersatzteilen eines nicht zugelassenen Drittlieferanten.
- Es darf kein Insektizid oder anderes (entzündbares oder nicht entzündbares) chemisches Produkt auf das Gerät gesprüht werden, weil dadurch das Gehäuse beschädigt und ein Brand ausgelöst werden kann.
- Der Ventilator und die beweglichen Teile dürfen während des Betriebs des Gerätes nicht berührt werden und es dürfen keine Gegenstände oder Finger in die Nähe der beweglichen Teile gesteckt werden.

Die beweglichen Teile können schwere und sogar tödliche Verletzungen verursachen.

#### **WARNMELDUNGEN IN ZUSAMMENHANG MIT ELEKTRISCHEN GERÄTEN**

- Die Stromversorgung des Gerätes muss durch eine eigene Fehlerstromschutzeinrichtung von 30 mA gemäß den am Installationsort geltenden Normen geschützt werden.
- Zum Anschluss des Gerätes kein Verlängerungskabel verwenden; es direkt an einen passenden Versorgungsstromkreis anschließen.
- Ist ein ortsfestes Gerät nicht mit einem Netzkabel und einem Stecker oder einem anderen Mittel zur Trennung vom Stromnetz mit einer allpoligen Kontakttrennung ausgestattet, die im Falle einer Überspannung der Kategorie III eine vollständige Trennung ermöglicht, so ist in der Anleitung anzugeben, dass die Trennmittel gemäß den Verdrahtungsregeln in die feste Verkabelung integriert werden müssen.
- Im Stromkreis des Gerätes muss eine geeignete Trennvorrichtung installiert werden, die alle lokalen und nationalen Anforderungen der Überspannungskategorie III erfüllt und allpolig vom Stromkreis trennt. Diese Trennvorrichtung ist nicht im Lieferumfang des Gerätes enthalten und muss vom Installateur gestellt werden.
  - Vor jeder Nutzung ist Folgendes zu prüfen:
    - die auf dem Typenschild des Gerätes angegebene Spannung stimmt mit der Netzspannung überein,
    - das Stromnetz ist für die Nutzung des Gerätes geeignet und es verfügt über einen Erdungsanschluss,
    - der Netzstecker passt (ggf.) in die Steckdose.
- Das Gerät darf während des Betriebs nicht vom Stromnetz getrennt und wieder angeschlossen werden.
  - Zum Ziehen des Steckers darf nicht am Stromkabel gezogen werden.
- Wenn das Stromkabel beschädigt ist, muss es zur Gewährleistung der Sicherheit vom Hersteller, von seinem Wartungsdienst oder von einem anderen qualifizierten Fachmann ersetzt werden.
- Keine Wartungs- oder Instandsetzungsarbeiten mit feuchten Händen oder an einem feuchten Gerät durchführen.
- Bevor das Gerät an die Stromquelle angeschlossen wird, sicherstellen, dass der Anschlussblock oder der Stromanschluss, an den das Gerät angeschlossen werden soll, in Ordnung ist und weder Schäden noch Rostspuren aufweist.
- Bei Gewitter muss das Gerät vom Stromnetz getrennt werden, um eine Beschädigung durch Blitzeinschlag zu vermeiden.
- Tauchen Sie das Gerät nicht in Wasser oder Schlamm. Halten Sie den Leistungsschalter von Wasser fern.

#### **WARNHINWEISE IN ZUSAMMENHANG MIT GERÄTEN, DIE KÄLTEMITTEL ENTHALTEN**

- R32 ist ein Kältemittel der Kategorie A2L, das als potenziell entzündbar gilt.
- Lassen Sie das Kältemittel R32 nicht in Atmosphäre entweichen. Dieses Fluid ist ein fluoriertes Treibhausgas, das vom Kyoto-Protokoll gedeckt wird, mit einem Treibhauspotenzial (GWP) von 675 (EU- Verordnung Nr. 517/2014).
  - Das Gerät muss an einem gut belüfteten Ort fernab von jeglicher Flammequelle gelagert werden.
- Das Gerät im Freien installieren. Das Gerät nicht im Innenbereich oder in einem eingezäunten, nicht belüfteten Außenbereich installieren.
- Keine anderen Mittel zur Beschleunigung des Abtau- oder Reinigungsprozesses als die vom Hersteller empfohlenen verwenden.
- Das Gerät muss in einem Raum ohne Funkenquelle im Dauerbetrieb gelagert werden (z. B. offene Flamme, Gasgerät im Betrieb oder elektrische Heizung im Betrieb).
  - Nicht durchbohren oder verbrennen.
  - Es ist zu beachten, dass das Kältemittel R32 einen gewissen Geruch freisetzen kann.
- Um die einschlägigen Umwelt- und Installationsnormen und -vorschriften, insbesondere den französischen Erlass Nr. 2015-1790 und/oder die EU-Verordnung 517/2014, einzuhalten, muss mindestens

einmal jährlich eine Dichtheitsprüfung des Kühlsystems durchgeführt werden. Dieser Vorgang muss von einem zertifizierten Kühlgerätechmann durchgeführt werden.

- Bitte bewahren Sie den Display-Controller an einem trockenen Ort auf oder schließen Sie die Isolationsabdeckung, um den Display-Controller vor Beschädigung durch Feuchtigkeit zu schützen.

## **WARTUNG: WARNHINWEISE IN ZUSAMMENHANG MIT GERÄTEN, DIE KÄLTEMITTEL R32 ENTHALTEN**

- Während der Instandhaltungsphase des Geräts müssen die Zusammensetzung und der Zustand des Wärmeübertragungsmittels sowie das Fehlen von Spuren des Kältemittels kontrolliert werden.
- Während der jährlichen Dichtigkeitskontrolle des Gerätes muss den geltenden Gesetzen entsprechend überprüft werden, dass die Hoch- und Niederdruckschalter richtig an den Kältemittelkreislauf angeschlossen sind und beim Auslösen den Stromkreis ausschalten.
- Während der Wartungsphase muss man sich vergewissern, dass keine Spuren von Korrosion oder Ölflecken im Umkreis der Kältekomponenten vorhanden sind.
- Löten oder schweißen Sie das Rohr nicht, wenn sich Kältemittel in der Maschine befindet. Bitte laden Sie das Gas nicht auf engstem Raum auf.

### ***Überprüfung des Bereichs***

- Vor Beginn der Arbeiten an Anlagen, die brennbare Kältemittel enthalten, sind Sicherheitsüberprüfungen erforderlich, um sicherzustellen, dass die Gefahr von Funkenbildung gering ist.

### ***Arbeitsverfahren***

- Die Arbeiten müssen nach einem kontrollierten Verfahren durchgeführt werden, um die Gefahr der Freisetzung von brennbaren Gasen oder Dämpfen während der Arbeiten zu verringern.
- Vor jedem Eingriff am Kältemittelkreislauf muss das Gerät unbedingt abgestellt und ein paar Minuten gewartet werden, bevor Temperatur- oder Druckfühler angebracht werden, da manche Komponenten wie der Kompressor und die Rohrleitungen Temperaturen von über 100 °C und hohen Druck erreichen können, die möglicherweise zu schweren Verbrennungen führen.

### ***Allgemeiner Arbeitsbereich***

- Das gesamte Wartungspersonal und andere in der unmittelbaren Umgebung tätige Personen müssen über die durchgeführten Arbeiten auf dem Laufenden gehalten werden. Arbeiten in engen Räumen müssen vermieden werden.

### ***Überprüfung des Vorhandenseins von Kältemittel***

- Der Bereich muss vor und während der Arbeiten mit einem geeigneten Kältemitteldetektor überprüft werden, damit der Techniker auf das Vorhandensein einer potenziell toxischen oder brennbaren Atmosphäre aufmerksam gemacht wird. Sicherstellen, dass der verwendete Leckdetektor für den Einsatz bei allen betroffenen Kältemitteln geeignet ist, d. h. es kann keine Funken verursachen, ist ordnungsgemäß isoliert oder vollkommen sicher.

### ***Vorhandensein eines Feuerlöschers***

- Sollen Arbeiten an der Kälteanlage oder den zugehörigen Teilen bei einer bestimmten Temperatur durchgeführt werden, müssen geeignete Feuerlöscher leicht erreichbar sein. Einen Pulver- oder CO<sub>2</sub>-Löscher in der Nähe des Arbeitsbereichs anbringen.

### ***Keine Zündquelle***

- Niemand, der an einer Kälteanlage arbeitet und die Rohrleitungen freilegen muss, darf eine Funkenquelle verwenden, von der eine Brand- oder Explosionsgefahr ausgehen könnte. Alle möglichen Funkenquellen, insbesondere Zigaretten, müssen ausreichend von der Installations-, Reparatur-,



Demontage- oder Entsorgungsstelle ferngehalten werden, wenn Kältemittel möglicherweise in die Umgebung freigesetzt werden kann. Vor Beginn der Arbeiten ist der Bereich um das Gerät herum auf Brand- und Funkengefahr zu untersuchen. Es müssen Schilder mit „Rauchverbot“ angebracht werden.

#### ***Belüftung des Bereichs***

- Bevor das Gerät in irgendeiner Weise für Wartungsarbeiten benutzt wird, ist sicherzustellen, dass der Bereich offen und gut belüftet ist. Eine angemessene Belüftung, die eine sichere Dispersion des möglicherweise in die Atmosphäre freigesetzten Kältemittels ermöglicht, muss während der Wartung des Gerätes gewährleistet sein.

#### ***Überprüfung der Kälteanlage***

- Die Pflege- und Wartungsempfehlungen des Herstellers sind immer zu beachten. Beim Austausch elektrischer Komponenten ist darauf zu achten, dass nur Komponenten desselben Typs und derselben Kategorie verwendet werden, die vom Hersteller empfohlen/genehmigt sind. Wenden Sie sich im Zweifelsfall an den technischen Kundendienst des Herstellers.
- Die folgenden Prüfungen sind auf Anlagen anzuwenden, die brennbare Kältemittel verwenden:
  - Markierungen auf dem Gerät müssen sichtbar und lesbar bleiben, unlesbare Markierungen oder Signale müssen korrigiert werden;
  - Kältemittelleitungen oder -komponenten werden an einer Position verlegt, an der es unwahrscheinlich ist, dass sie einer Substanz ausgesetzt sind, die kältemittelhaltige Komponenten angreifen könnte, es sei denn, die Komponenten bestehen aus normalerweise korrosionsbeständigen Materialien oder sind ordnungsgemäß gegen diese Korrosion geschützt.

#### ***Überprüfung der elektrischen Komponenten***

- Die Reparatur und Wartung von elektrischen Komponenten muss erste Sicherheitsüberprüfungen und Komponenteninspektionsverfahren beinhalten. Wenn ein Fehler auftritt, der die Sicherheit beeinträchtigen könnte, darf keine Stromversorgung an den Stromkreis angeschlossen werden, bis der Fehler vollständig behoben ist. Muss die Arbeit fortgesetzt werden, obwohl der Fehler nicht sofort behoben werden kann, muss eine geeignete Übergangslösung gefunden werden. Dies ist dem Eigentümer des Geräts mitzuteilen, damit alle Beteiligten informiert werden.
- Die Reparatur und Wartung von elektrischen Komponenten muss die folgenden ersten Sicherheitsüberprüfungen beinhalten:
  - die Kondensatoren sind entladen: Dies muss unter sicheren Bedingungen geschehen, um Funkenbildung zu vermeiden;
  - während des Ladevorgangs, der Überholung oder Spülung des Systems liegen keine elektrischen Komponenten oder Stromversorgungen frei;
  - Die Erdungsverbinding muss ständig vorhanden sein.

#### ***Reparatur an isolierten Komponenten***

- Bei Reparaturen an isolierten Komponenten müssen alle Stromversorgungen vom Gerät, an dem die Arbeiten durchgeführt werden, getrennt werden, bevor die Isolierabdeckung entfernt wird usw. Wenn das Gerät während der Wartung unbedingt mit Strom versorgt werden muss, muss ein Leckdetektor im Dauerbetrieb an der kritischsten Stelle angebracht werden, um jede potenziell gefährliche Situation zu melden.
- Um sicherzustellen, dass bei Arbeiten an elektrischen Komponenten das Gehäuse nicht so verändert wird, dass das Schutzniveau beeinträchtigt wird, sind die folgenden Punkte besonders zu beachten. Dazu gehören beschädigte Kabel, übermäßige Anzahl von Anschlüssen, Klemmen, die nicht den ursprünglichen Eigenschaften entsprechen, beschädigte Dichtungen, unsachgemäße Installation von Kabelverschraubungen usw.
- Sicherstellen, dass das Gerät richtig befestigt ist.
- Sicherstellen, dass die Dichtungen oder Isoliermaterialien nicht so weit beschädigt sind, dass sie nicht mehr verhindern, dass eine brennbare Atmosphäre in den Kreislauf gelangt. Die Ersatzteile müssen den Spezifikationen des Herstellers entsprechen.

#### ***Reparatur von eigensicheren Komponenten***

- Keine dauerhafte Induktions- oder elektrische Kapazitätsbelastung an den Stromkreis anwenden, ohne sicherzustellen, dass sie die für das verwendete Gerät zulässige Spannung und den zulässigen Strom

nicht überschreitet.

- Eigensichere Komponenten sind die einzigen Typen, bei denen es möglich ist, unter Spannung in Gegenwart einer brennbaren Atmosphäre zu arbeiten. Das Testgerät muss zur entsprechenden Klasse gehören.
- Die Komponenten dürfen nur durch vom Hersteller angegebene Teile ersetzt werden. Andere Teile könnten das Kältemittel in der Atmosphäre aufgrund einer Leckage entzünden.

#### ***Verkabelung***

- Sicherstellen, dass die Verkabelung frei von Verschleiß, Korrosion, Überdruck, Vibrationen, scharfen Kanten oder anderen schädlichen Umgebungseinflüssen ist. Bei der Steuerung müssen auch die Auswirkungen der Alterung oder der ständigen
- Vibrationen durch Quellen wie Kompressoren oder Ventilatoren berücksichtigt werden.

#### ***Erkennung von brennbaren Kältemitteln***

- Unter keinen Umständen dürfen potenzielle Funkenquellen zur Suche nach Kältemittelleckagen oder zur Erkennung von Kältemittelleckagen verwendet werden. Eine Halogenlampe (oder ein anderer Detektor mit offener Flamme) darf nicht verwendet werden.
- Die folgenden Lecksuchmethoden gelten für alle Kälteanlagen als zulässig.
- Elektronische Leckdetektoren können zur Erkennung von Kältemittelleckagen verwendet werden, aber im Falle von brennbarem Kältemittel ist die Empfindlichkeit möglicherweise nicht ausreichend oder muss neu kalibriert werden. (Die Leckdetektoren müssen an einem Ort kalibriert werden, an dem kein Kältemittel vorhanden ist.) Sicherstellen, dass der Detektor keine potenzielle Zündquelle ist und für das verwendete Kältemittel geeignet ist. Die Leckdetektoren müssen auf einen Prozentsatz des LFL des Kältemittels eingestellt und in Abhängigkeit vom verwendeten Kältemittel kalibriert sein. Der geeignete Gasanteil (maximal 25 %) muss bestätigt werden.
- Lecksuchflüssigkeiten eignen sich auch für die meisten Kältemittel, aber die Verwendung von chlorhaltigen Reinigungsmitteln sollte vermieden werden, da sie mit dem Kältemittel reagieren und die Kupferleitungen angreifen können.
- Bei Verdacht auf eine Leckage müssen alle offenen Flammen entfernt/gelöscht werden.
- Wenn ein Kältemittelleck erkannt wird, das einen Löteingriff erfordert, muss das gesamte Kältemittel aus dem System entfernt oder (durch Absperrventile) in einem vom Leck entfernten Teil des Systems isoliert werden.

#### ***Entnahme und Evakuierung***

- Beim Zugang zum Kältekreislauf für Reparaturen oder aus anderen Gründen müssen herkömmliche Verfahren angewendet werden. Bei brennbaren Kältemitteln ist es jedoch unerlässlich, die Empfehlungen zu befolgen, da die Entflammbarkeit berücksichtigt werden muss. Die folgende Vorgehensweise ist einzuhalten:
  - Kältemittel entfernen;
  - den Kreislauf mit einem Inertgas spülen (optional für A2L);
  - evakuieren (optional für A2L);
  - mit einem Inertgas spülen (optional für A2L);
  - den Kreislauf durch Schneiden oder Löten öffnen.
- Die Kältemittelfüllung muss in den entsprechenden Rückgewinnungsflaschen rückgewonnen werden. Bei Geräten, die andere brennbare Kältemittel als A2L enthalten, muss das System mit sauerstofffreiem Stickstoff gespült werden, damit das Gerät für die Aufnahme von brennbarem Kältemittel geeignet ist. Es kann notwendig sein, diesen Vorgang mehrmals zu wiederholen. Druckluft oder Sauerstoff darf nicht zum Spülen von Kälteanlagen verwendet werden.

#### ***Ladeverfahren***

- Sicherstellen, dass sich der Ausgang der Vakuumpumpe nicht in der Nähe einer potenziellen Funkenquelle befindet und dass eine Belüftung verfügbar ist.
- Zusätzlich zu den herkömmlichen Ladeverfahren müssen die folgenden Anforderungen erfüllt sein.
- Sicherstellen, dass beim Einsatz von Füllgeräten keine Verunreinigungen zwischen verschiedenen Kältemitteln möglich sind. Schläuche oder Leitungen müssen so kurz wie möglich sein, um die Menge des darin enthaltenen Kältemittels zu reduzieren.

- Die Flaschen müssen gemäß den Anweisungen in einer geeigneten Position gehalten werden.
  - Sicherstellen, dass die Kälteanlage geerdet ist, bevor sie mit Kältemittel befüllt wird.
  - Das System nach dem Laden beschriften (falls nicht bereits geschehen).
  - Es ist besonders darauf zu achten, dass die Kälteanlage nicht überfüllt wird.
- Vor dem Wiederaufladen des Systems muss eine Druckprüfung mit dem entsprechenden Spülgas durchgeführt werden. Das System muss am Ende der Ladung, aber vor der Inbetriebnahme auf Dichtheit überprüft werden. Vor dem Verlassen des Standorts muss eine Folgedichtheitsprüfung durchgeführt werden.

### **Demontage**

- Vor der Durchführung eines Demontagevorgangs ist es unbedingt erforderlich, dass sich der Techniker mit dem Gerät und seinen Eigenschaften vertraut gemacht hat. Es wird besonders empfohlen, alle Kältemittel sorgfältig rückzugewinnen. Vor der Durchführung dieser Aufgabe muss eine Öl- und Kältemittelprobe entnommen werden, wenn Analysen erforderlich sind, bevor das rückgewonnene Kältemittel wieder verwendet wird. Vor Beginn der Arbeit ist es unbedingt erforderlich, die Spannungsversorgung zu überprüfen.
1. Machen Sie sich mit dem Gerät und seiner Bedienung vertraut.
  2. Das System elektrisch isolieren.
  3. Vor Beginn des Verfahrens ist Folgendes sicherzustellen:
    - für die Handhabung der Kältemittelflaschen stehen bei Bedarf mechanische Handhabungsgeräte zur Verfügung;
    - alle persönlichen Schutzausrüstungen sind vorhanden und werden ordnungsgemäß verwendet;
    - der Rückgewinnungsprozess wird jederzeit von einer kompetenten Person überwacht;
    - die Rückgewinnungsgeräte und -flaschen entsprechen den einschlägigen Normen.
  4. Das Kühlsystem evakuieren, wenn möglich.
  5. Wenn kein Vakuum erzeugt werden kann, einen Verteiler installieren, damit das Kältemittel an verschiedenen Stellen des Systems entfernt werden kann.
  6. Sicherstellen, dass die Flasche auf den Waagen steht, bevor mit den Rückgewinnungsvorgängen begonnen wird.
  7. Die Rückgewinnungsmaschine starten und gemäß den Anweisungen bedienen.
  8. Die Flaschen nicht überfüllen (nicht mehr als 80 % des Volumens der Flüssigkeitsladung).
  9. Den maximalen Betriebsdruck der Flasche auch vorübergehend nicht überschreiten.
  10. Wenn die Flaschen ordnungsgemäß befüllt sind und der Prozess abgeschlossen ist, sicherstellen, dass die Flaschen und Geräte schnell vom Standort entfernt werden und dass die alternativen Sperrventile an der Anlage geschlossen sind.
  11. Das rückgewonnene Kältemittel darf nicht in eine andere Kälteanlage eingefüllt werden, es sei denn, es wurde gereinigt und kontrolliert.

### **FEHLERBEHEBUNG**

- Jeder Lötgriff muss von Fachleuten vorgenommen werden.
- Der Austausch der Rohrleitungen darf nur mit Kupferrohr durchgeführt werden, das der Norm NF EN12735-1 entspricht.
- Auffinden von Undichtigkeiten, Testfall unter Druck:
  - nie Sauerstoff oder trockene Luft verwenden, Brand- oder Explosionsgefahr,
  - dehydratisierten Stickstoff oder eine Mischung aus Stickstoff und auf dem Typenschild angegebenem Kühlmittel verwenden,
  - der Druck der Nieder- und Hochdruckprüfung darf nicht 42 bar überschreiten, wenn das Gerät mit dem optionalen Manometer ausgestattet ist.
- Für die Rohrleitungen des Hochdruckkreislaufs, die mit einem Kupferrohr mit dem Durchmesser von  $\geq$  oder  $> 1\frac{5}{8}$  ausgeführt sind, muss gemäß § 2.1 der Norm NF EN 10204 vom Lieferanten eine Bescheinigung angefordert und in den technischen Unterlagen der Installation aufbewahrt werden.
- Die technischen Informationen über die Sicherheitsanforderungen der einzelnen anwendbaren Richtlinien sind auf dem Typenschild angegeben. Alle diese Angaben müssen in der Installationsanleitung des Gerätes registriert sein, die sich in den technischen Unterlagen der Maschine befinden muss: Modell,

Code, Seriennummer, max. und min. TS, PS, Herstellungsjahr, CE-Kennzeichnung, Anschrift des Herstellers, Kältemittel und Gewicht, elektrische Parameter, thermodynamische und akustische Leistungen.

#### **ETIKETTIERUNG**

- Das Gerät ist mit einem Etikett zu versehen, aus dem hervorgeht, dass es außer Betrieb genommen und das Kältemittel abgelassen wurde.
- Das Etikett muss datiert und unterschrieben sein.
- Bei Geräten, die ein brennbares Kältemittel enthalten, ist darauf zu achten, dass auf den Geräten Etiketten angebracht sind, die darauf hinweisen, dass sie ein brennbares Kältemittel enthalten.

#### **RÜCKGEWINNUNG**

- Beim Ablassen des Kältemittels, bei der Wartung oder Außerbetriebnahme wird empfohlen, gute Praktiken zum sicheren Ablassen des gesamten Kältemittels zu befolgen.
- Beim Umfüllen von Kältemittel in eine Flasche ist darauf zu achten, dass eine für das Kältemittel geeignete Rückgewinnungsflasche verwendet wird. Sicherstellen, dass die richtige Anzahl von Flaschen vorhanden ist, um die gesamte Flüssigkeit zurückzugewinnen. Alle zu verwendenden Flaschen müssen für die Kältemittelrückgewinnung ausgelegt sein und Etiketten für das jeweilige Kältemittel aufweisen. Die Flaschen müssen mit einem Vakuumventil und Absperrventilen in einwandfreiem Zustand ausgestattet sein. Leere Rückgewinnungsflaschen werden evakuiert und, wenn möglich, vor der Rückgewinnung gekühlt.
- Das Rückgewinnungsgerät muss in einwandfreiem Zustand sein, die Bedienungsanleitung des Gerätes muss leicht zugänglich sein und das Gerät muss für das betreffende Kältemittel, gegebenenfalls auch für das brennbare Kältemittel, geeignet sein. Darüber hinaus muss ein Satz kalibrierter Waagen verfügbar und in einwandfreiem Zustand sein. Die Leitungen müssen vollständig, leckagefrei, frei von losen Verbindungen und in gutem Zustand sein. Bevor das Rückgewinnungsgerät verwendet wird, muss sichergestellt werden, dass es in einwandfreiem Zustand ist, dass es ordnungsgemäß gewartet wurde und dass die zugehörigen elektrischen Komponenten versiegelt sind, um zu verhindern, dass bei Freisetzung von Kältemittel ein Brand entsteht. Wenden Sie sich im Zweifelsfall an den Hersteller.
- Das rückgewonnene Kältemittel muss in der Rückgewinnungsflasche mit einem Abfalltransportschein an den Kältemittellieferanten zurückgesandt werden. Es dürfen keine unterschiedlichen Kältemittel in den Rückgewinnungseinheiten, insbesondere in den Flaschen, vermischt werden.
- Wenn der Kompressor entfernt oder das Kompressoröl abgelassen wird, ist sicherzustellen, dass das Kältemittel abgelassen wurde, um zu verhindern, dass es sich mit dem Schmiermittel vermischt. Der Entleerungsvorgang muss durchgeführt werden, bevor der Kompressor an den Lieferanten zurückgesandt wird. Zur Beschleunigung dieses Vorgangs darf nur die elektrische Heizung des Kompressorgehäuses verwendet werden. Wenn alle Flüssigkeiten in einem System abgelassen werden, muss dieser Vorgang unter sicheren Bedingungen durchgeführt werden.

#### **RECYCLING**



Dieses von der europäischen WEEE-Richtlinie 2012/19/EU (Richtlinie über Elektro- und Elektronik-Altgeräte) vorgeschriebene Symbol bedeutet, dass Sie Ihr Gerät nicht mit dem Haushaltsmüll entsorgen dürfen. Es muss getrennt gesammelt werden, damit es wiederverwendet, recycelt oder verwertet werden kann. Wenn es potenziell umweltgefährdende Stoffe enthält, müssen diese entsorgt oder neutralisiert werden. Ihr Händler kann Sie über die Recyclingbedingungen informieren.

# MINIWÄRMEPUMPE

## Benutzer- und Wartungshandbuch

### INHALTSVERZEICHNIS

1. Technische Daten
2. Transport
3. Abmessungen
4. Einbau und Anschluss
5. Elektrische Verkabelung
6. Bedienung der Display-Steuerung
7. Fehlerbehebung
8. Explosionszeichnung
9. Wartung
10. Zubehör

Vielen Dank, dass Sie sich unsere Miniwärmepumpe für Ihren Pool verwenden, es erwärmt Ihr Poolwasser und hält die Temperatur bei einer Luftumgebungstemperatur von über 12° C konstant.



**ACHTUNG:** Dieses Handbuch enthält alle notwendigen Informationen für den Gebrauch und die Installation Ihrer Wärmepumpe.

**Der Installateur muss das Handbuch lesen und die Anweisungen zur Installation und Wartung befolgen.**

**Der Installateur ist für die Installation des Produkts verantwortlich und sollte alle Anweisungen des Herstellers und die geltenden Vorschriften befolgen. Eine falsche Installation führt zum Erlöschen der Garantie.**

**Der Hersteller lehnt jede Verantwortung für Schäden durch Dritte, Objektingressionen und Fehler durch die Installation ab, die nicht den Anweisungen entsprechen. Jede vom Hersteller nicht bestimmungsgemäße Verwendung führt zum Erlöschen der Garantie.**

# 1. Technische Daten

## 1.1 Technische Daten zu Pool-Wärmepumpen

Modell	HPM20	HPM30	HPM40
Code	71245	71258	71606
<b>* Leistung bei Luft 28 °C, Wasser 28 °C, Luftfeuchtigkeit 80%</b>			
Heizleistung (kW)	2.5	4.2	5.5
Leistungsaufnahme (kW)	0.59	1	1.31
COP	4.2	4.2	4.2
<b>* Leistung bei Luft 15 °C, Wasser 27 °C, Luftfeuchtigkeit 70%</b>			
Heizkapazität (kW)	1.9	3.2	4.2
Leistungsaufnahme (kW)	0.56	0.91	1.2
COP	3.4	3.5	3.5
<b>* Stromversorgung</b>			
Stromversorgung (V)	220-240V~50Hz/1PH		
Betriebsstrom (A)	2.6	4.4	5.8
Mini- Sicherung (A)	7.5	10	16
Maximales Poolvolumen**(m <sup>3</sup> )	<20	<30	<40
Minimaler und empfohlener Wasserdurchfluss (m <sup>3</sup> /h)	2	2	2.5
Maximaler / minimaler Betriebsdruck (Mpa)	4.2/0.05		
Maximaler Druckverlust (Kpa)	15	15	15
Wärmetauscher	Titanium-Wärmetauscher		
Schutzart	IPX4		
Wasserverbindung (mm)	38/32		
Lüftergeschwindigkeit (rpm)	2500	1100	1100
Geräuschpegel at 10m dB(A)	48	46	46
Geräuschpegel at 1m dB(A)	57	55	55
Kältemitteltyp R32 (g)	160	290	400
<b>*Abmessungen und Gewicht</b>			
Nettogewicht (kg)	18	26	30
Verpackungsgewicht (kg)	19	28.5	33
Gesamtabmessungen (mm)	313*364.5*428.5	435*436.5*511.5	515*487*541.5
Verpackungsabmessungen (mm)	380*455*500	496*525*575	570*570*605

\* Die obigen Daten können ohne vorherige Ankündigung geändert werden

\*\* Weitere Informationen finden Sie auf unserer Verpackung oder Website.

## 2. Transport

### 2.1 Produktlieferung und Verpackung



Für den Transport werden die Wärmepumpen auf der Palette fixiert und in einem Karton eingepackt.

Um diese vor Beschädigungen zu schützen, muss die Wärmepumpe in dieser Verpackung transportiert werden.

Es liegt in der Verantwortung des Empfängers, Schäden, die während der Lieferung entstehen, innerhalb von 48 Stunden zu melden. Nach Übernahme des Geräts kann keine Verantwortung mehr übernommen werden.

### 2.2 Lagerung



\* Das Lager sollte hell, geräumig, offen, gut belüftet, mit Lüftungsanlagen und ohne Brandquelle ausgestattet sein.

\* Wärmepumpen müssen in der Originalverpackung gelagert und vertikal transportiert werden. Ist dies nicht der Fall, kann das Gerät erst nach Ablauf einer Mindestdauer von 24 Stunden betrieben werden, bevor es eingeschaltet werden kann.

#### VERBOTEN



### 2.3 Transport zum endgültigen Aufstellungsort

\* Beim Auspacken des Produkts und beim Transport von der Palette zum endgültigen Aufstellungsort ist es notwendig, die Wärmepumpe in einer vertikalen Position zu halten.

\* Rauchen und Flammen sind in der Nähe der R32-Maschine verboten.

Der Wasseranschluss darf nicht als Lastaufnahmemittel verwendet werden, der Hersteller übernimmt keine Verantwortung.

Nachdem alle Verbindungen hergestellt und überprüft wurden, führen Sie die folgenden Schritte aus:

1. Schalten Sie die Filterpumpe ein. Überprüfen Sie diese auf Undichtigkeiten und stellen Sie sicher, dass das Wasser zum und vom Schwimmbad fließt.

2. Schließen Sie die Stromversorgung der Wärmepumpe an und drücken Sie die Ein-/Aus-Taste auf dem elektronischen Bedienfeld. Das Gerät startet nach Ablauf der Zeitverzögerung (siehe unten).

3. Überprüfen Sie nach einigen Minuten, ob die aus dem Gerät austretende Luft kühler ist.

4. Wenn die Filterpumpe ausgeschaltet ist, sollte sich das Gerät auch automatisch ausschalten.

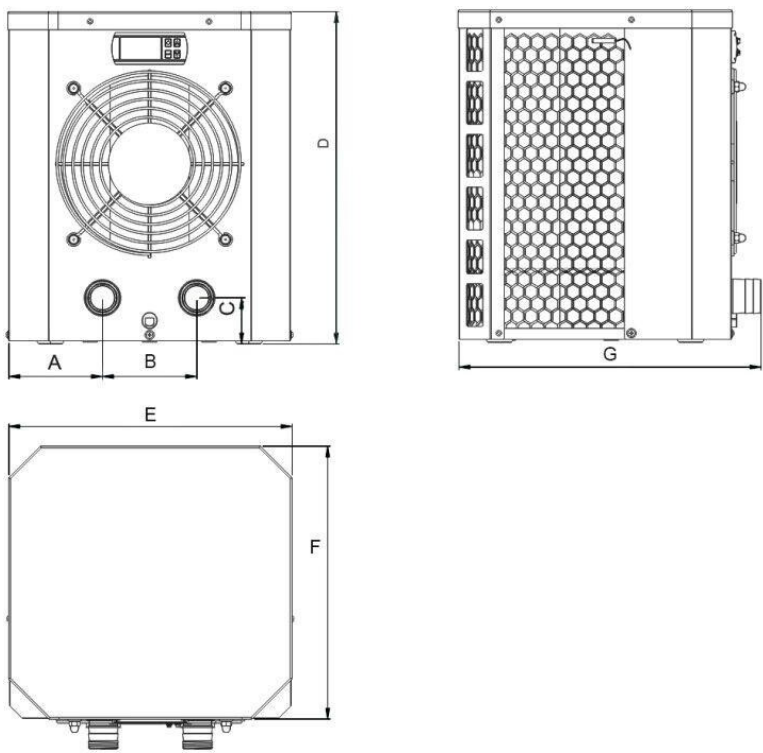
5. Lassen Sie die Wärmepumpe und die Filterpumpe 24 Stunden am Tag laufen, bis die gewünschte Wassertemperatur erreicht ist. Die Wärmepumpe stoppt. Danach wird sie automatisch neu gestartet (solange die Filterpumpe läuft), wenn die Wassertemperatur im Schwimmbad um 2 Grad unter die eingestellte Temperatur fällt (z.B. wenn Sie die Temperatur 28°C einstellen, stoppt die Wärmepumpe bei einer Temperatur von 28°C. Sie läuft wieder an, wenn die Wassertemperatur auf 26°C sinkt.)

Abhängig von der anfänglichen Wassertemperatur im Pool und der Lufttemperatur kann es unter Umständen einige Tage dauern, bis das Wasser die gewünschte Temperatur erreicht hat. Eine gute Schwimmbadabdeckung kann die erforderliche Zeitspanne erheblich verkürzen.

\* bei Schäden an den Wasserleitungen.



### 3. Abmessungen



Modelle/ (mm)	A	B	C	D	E	F	G
HPM20	90.4	130	50	428.5	313	300	364.5
HPM30	116.5	200	50	511.5	435	365	436.5
HPM40	134.6	260	50	541.5	515	421	487

## 4. Einbau und Anschluss

### Achtung:

Bitte beachten Sie bei der Installation der Wärmepumpe die folgenden Regeln:

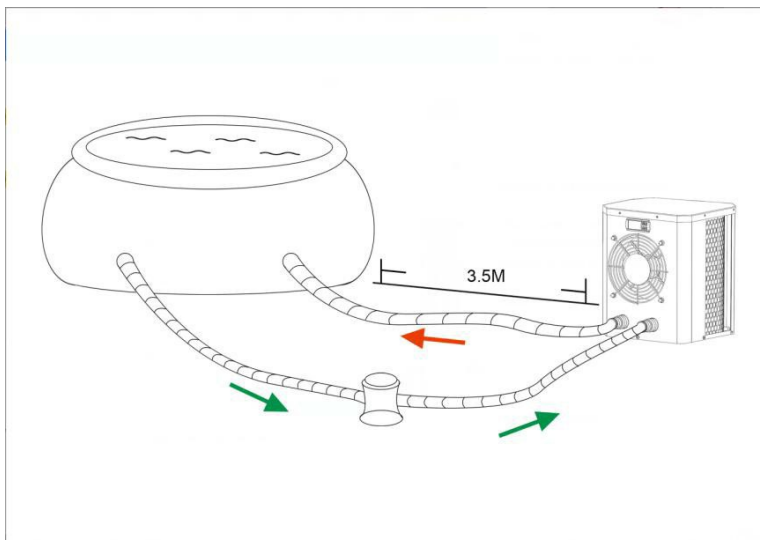
1. Die Zugabe von Chemikalien muss in den der Wärmepumpe nachgeschalteten Rohrleitungen erfolgen.
2. Halten Sie die Wärmepumpe immer aufrecht. Wenn das Gerät in einem Winkel gehalten wurde, warten Sie mindestens 24 Stunden, bevor Sie die Wärmepumpe mit Netzstrom versorgen.

### 4.1 Positionierung der Wärmepumpe

Das Gerät funktioniert an jeder gewünschten Stelle einwandfrei, solange die folgenden drei Punkte vorhanden sind:

- 1. Frische Luft – 2. Elektrizität – 3. Schwimmbeckenfilter**

Das Gerät kann an nahezu jedem Außenstandort installiert werden, solange die vorgeschriebenen Mindestabstände zu anderen Objekten eingehalten werden (siehe Zeichnung unten). Für die Installation in einem Hallenbad wenden Sie sich bitte an Ihren Installateur. Die Installation an einem windigen Ort stellt kein Problem dar.



**ACHTUNG:** Installieren Sie das Gerät niemals in einem geschlossenen Raum mit einem begrenzten Luftvolumen, in dem die aus dem Gerät austretende Luft wiederverwendet wird, oder in der Nähe von Sträuchern, die den Lufteinlass blockieren könnten. Solche Stellen beeinträchtigen die kontinuierliche Frischluftzufuhr, was zu einem verminderten Wirkungsgrad führt und möglicherweise eine ausreichende Wärmeleistung verhindert.

## 4.2 Erstinbetriebnahme

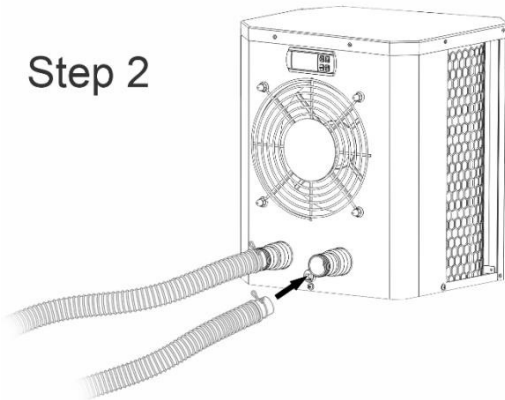
**Hinweis:** Um das Wasser im Pool (oder Whirlpool) zu erwärmen, muss die Filterpumpe laufen, um das Wasser durch die Wärmepumpe zu zirkulieren. Wenn das Wasser nicht durchfließt, löst die Wärmepumpe den Überhitzungsschutz aus und führt zu einer Abschaltung.

## 4.3 Schlauchverbindung

Step 1



Step 2

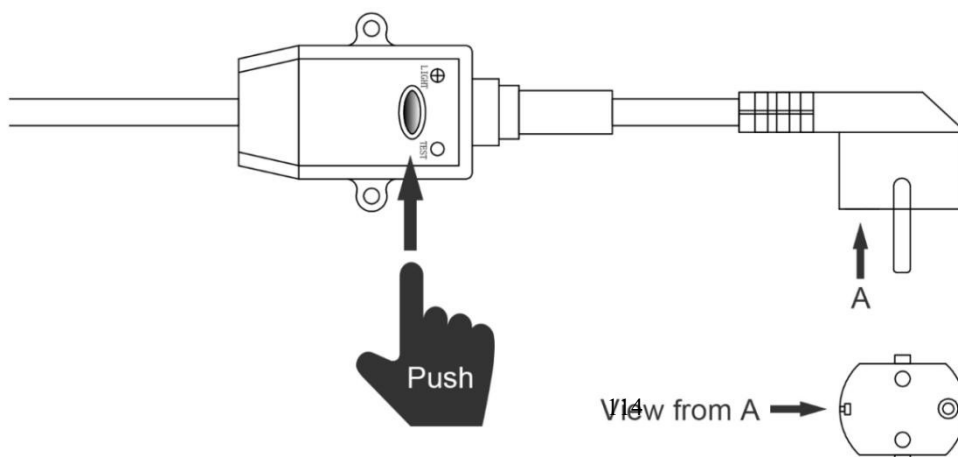


### Anmerkung:

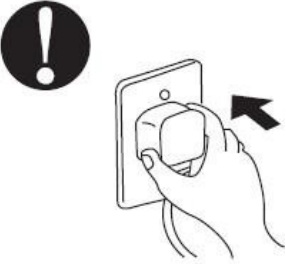
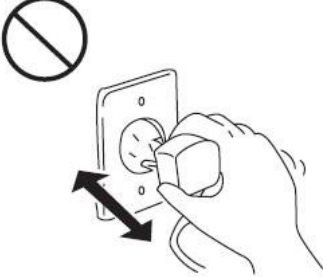
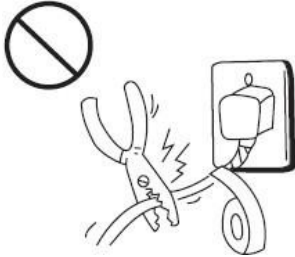
Das Werk liefert nur die Wärmepumpe. Alle anderen Komponenten, einschließlich zweier Schläuche, müssen vom Benutzer oder vom Installateur bereitgestellt werden.

## 4.4 Stromanschluss

Vergewissern Sie sich vor dem Anschließen des Gerätes, dass die Versorgungsspannung mit der Betriebsspannung der Wärmepumpe übereinstimmt. Der RCD-Stecker wurde mit dem Netzkabel mitgeliefert, das einen elektrischen Schutz bieten kann. Die Testtaste dient zur Überprüfung der Leistungsfähigkeit des Leistungsschalters.



**Anmerkung:**

<p><b>Stellen Sie sicher, dass der Netzstecker fest sitzt</b></p> <p>Wenn der Stecker nicht sicher ist, kann dies einen elektrischen Schlag, Überhitzung oder Feuer verursachen</p> 	<p><b>Ziehen Sie niemals den Netzstecker während des Betriebs heraus</b></p> <p>Andernfalls kann es aufgrund von Überhitzung zu einem Stromschlag oder Feuer kommen.</p> 	<p><b>Verwenden Sie niemals beschädigte elektrische Kabel oder nicht spezifizierte elektrische Kabel.</b></p> <p>Andernfalls kann es zu einem Stromschlag oder einem Brand kommen.</p> 
---	--	--

Nachdem alle Verbindungen hergestellt und überprüft wurden, führen Sie die folgenden Schritte aus:

1. Schalten Sie die Filterpumpe ein. Überprüfen Sie auf Undichtigkeiten und stellen Sie sicher, dass das Wasser zum und vom Schwimmbad fließt.
2. Schließen Sie die Stromversorgung der Wärmepumpe an und drücken Sie die Ein-/Aus-Taste auf dem elektronischen Bedienfeld. Das Gerät startet nach Ablauf der Zeitverzögerung (siehe unten).
3. Überprüfen Sie nach einigen Minuten, ob die aus dem Gerät austretende Luft kühler ist.
4. Wenn die Filterpumpe ausgeschaltet ist, sollte sich das Gerät auch automatisch ausschalten.
5. Lassen Sie die Wärmepumpe und die Filterpumpe 24 Stunden am Tag laufen, bis die gewünschte Wassertemperatur erreicht ist. Die Wärmepumpe stoppt. Danach wird sie automatisch neu gestartet (solange die Filterpumpe läuft), wenn die Wassertemperatur im Schwimmbad um 2 Grad unter die eingestellte Temperatur fällt (z.B. wenn Sie die Temperatur 28°C einstellen, stoppt die Wärmepumpe bei einer Temperatur von 28°C. Sie läuft wieder an, wenn die Temperatur des Wassers auf 26°C sinkt.)

Abhängig von der anfänglichen Wassertemperatur im Schwimmbad und der Lufttemperatur kann es mehrere Tage dauern, bis das Wasser die gewünschte Temperatur erreicht ist. Eine gute Schwimmbadabdeckung kann die erforderliche Zeitspanne erheblich verkürzen.

**Zeitverzögerung** - Die Wärmepumpe verfügt über eine eingebaute 3-minütige Anlaufverzögerung, um die Schaltung zu schützen und übermäßigen Verschleiß des elektrischen Schützes zu vermeiden. Nach Ablauf dieser Zeitspanne startet das Gerät automatisch neu. Schon eine kurze Stromunterbrechung löst diese Zeitverzögerung aus und verhindert einen sofortigen Neustart des Gerätes. Zusätzliche Stromunterbrechungen während dieser Verzögerungszeit haben keinen Einfluss auf die 3-minütige Dauer der Verzögerung.

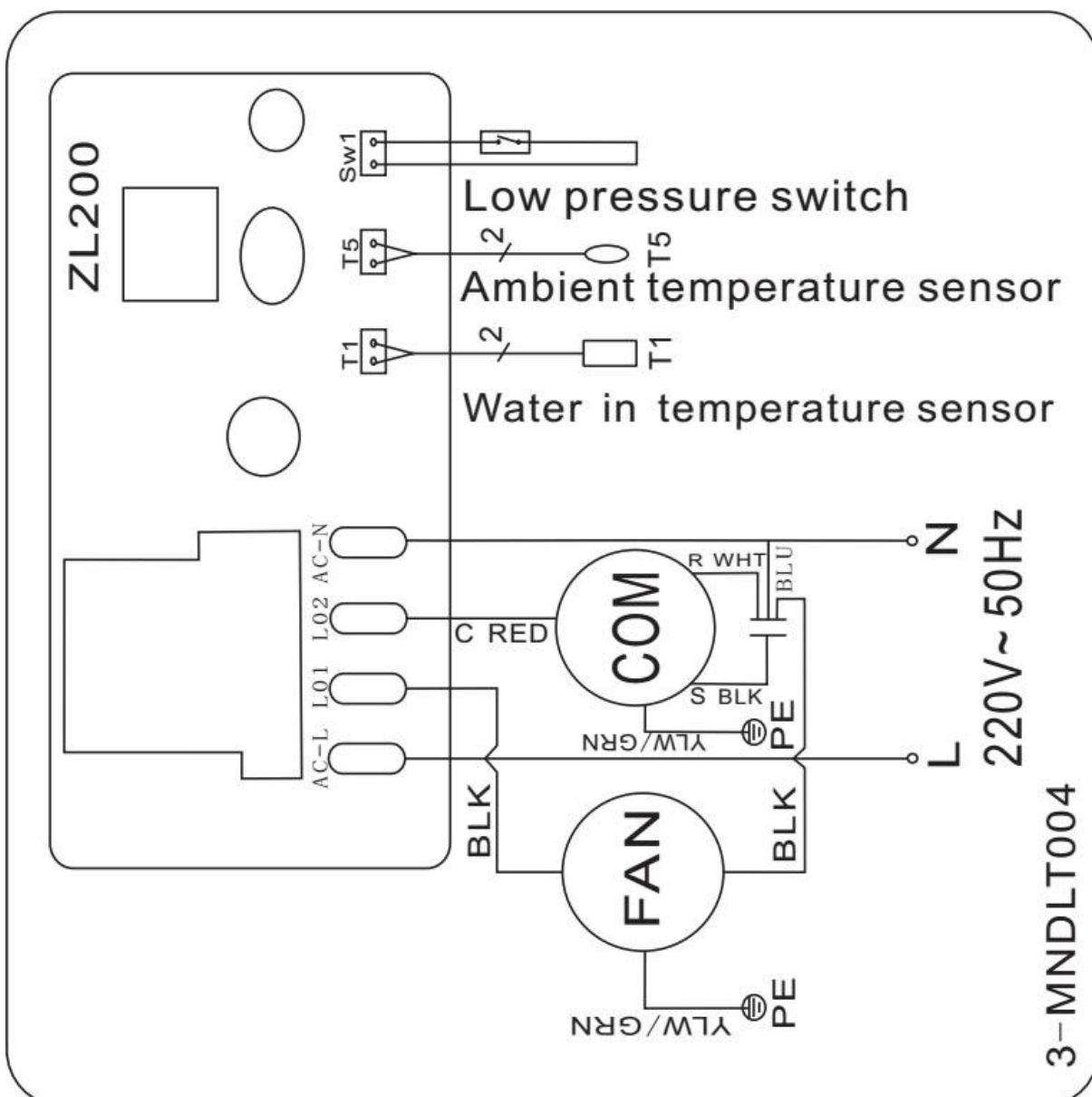
## 4.5 Kondensation

Die in die Wärmepumpe angesaugte Luft wird durch den Betrieb der Wärmepumpe zur Erwärmung des Beckenwassers gekühlt, was zu Kondensation an den Lamellen des Verdampfers führen kann. Die Kondensationsmenge kann bei hoher Luftfeuchtigkeit bis zu mehreren Würfeln pro Stunde betragen. Das Kondenswasser wird vom Boden der Wärmepumpe abfließen. Dies wird manchmal fälschlicherweise als Wasserleck angesehen.

## 5. Verkabelung

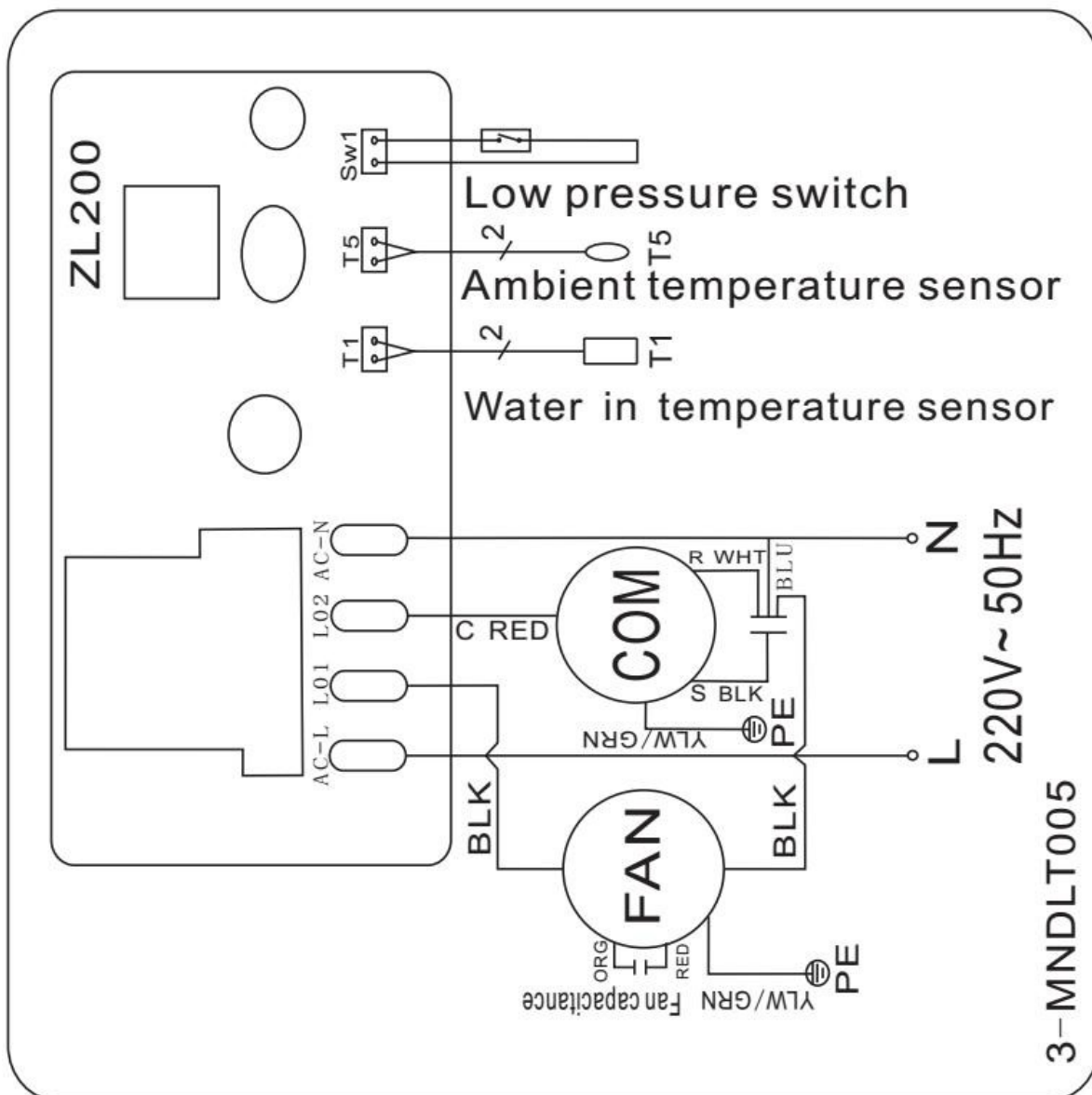
### 5.1 ELEKTROLEITPLAN DER POOL-WÄRMEPUMPE

HPM20



## 5.2 ELEKTROLEITPLAN DER POOL-WÄRMEPUMPE

HPM30/HPM40



### ANMERKUNG:

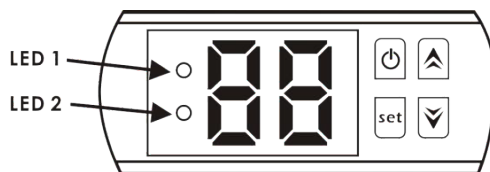
(1) Oberhalb des elektrischen Schaltplans nur zu Ihrer Information, bitte beachten Sie das Maschinenschild für den Schaltplan.

(2) Die Pool-Wärmepumpe muss an eine Erdleitung angeschlossen werden, obwohl der Wärmetauscher der Einheit vom Rest der Einheit galvanisch getrennt ist. Die Erdung des Geräts ist weiterhin erforderlich, um Sie vor Kurzschlüssen im Inneren des Geräts zu schützen. Außerdem ist eine Verklebung erforderlich.

**Trennung:** Ein Mittel zum Trennen sollte sich in Sichtweite des Geräts befinden und leicht zugänglich von diesem aus zugänglich sein (Leistungsschalter, abgesicherter oder ungesicherter Schalter). Dies ist bei gewerblichen und privaten Wärmepumpen üblich. Es verhindert die Fernaktivierung unbeaufsichtigter Geräte und ermöglicht das Abschalten der Stromversorgung am Gerät während der Wartung des Geräts.

## 6. Bedienung des Display-Controllers

### 6.1 Die Tasten der LED-Kabelsteuerung




Wenn die Wärmepumpe läuft, dann zeigt der LED Bildschirm die Wassereintrittstemperatur.

LED 1 leuchtet, wenn der Kompressor läuft.

LED 2 leuchtet bei Problemen.



### 6.2 Starten oder Stoppen Sie die Wärmepumpe

Drücken Sie , um die Wärmepumpe zu starten. Der LED-Bildschirm zeigt die gewünschte Wassertemperatur für 5 Sekunden, und dann die Wassereintrittstemperatur.

Drücken Sie , um die Wärmepumpe zu deaktivieren.






### 6.3 Wassertemperatureinstellung

Drücken Sie  und , um die gewünschte Wassertemperatur einzustellen (10–42°C)

Drücken Sie  und  erneut, um die neuen Einstellungen zu speichern.

Achtung: Die Pumpe kann nur dann arbeiten, wenn das Wasserzirkulations- und Filtersystem arbeitet.

### 6.4 Wie sie die Parameter überprüfen

Drücken Sie , es wird die Parameterprüfung eingegeben, drücken Sie  und  um den Code d0 / d1 zu wählen, Drücken Sie , es zeigt den gemessenen Wert an. Zuletzt drücken Sie  zum Beenden.

Code	Parameter
d0	Umgebungstemperatur
d1	Wassertemperatur

**Hinweis: Die Parameterdaten können nicht von Endbenutzern festgelegt werden.**

## 7. Fehlerbehebung

### 7.1 Fehlercodeanzeige auf einer LED-Kabelsteuerung

Zu niedriger Umgebungstemperaturschutz	P0	<ol style="list-style-type: none"><li>1. Die Umgebungstemperatur liegt unter 12 ° C.</li><li>2. Steuerungsfehler</li></ol>	<ol style="list-style-type: none"><li>1. Warten Sie, bis die Umgebungstemperatur auf 13 ° C gestiegen ist.</li><li>2. Ersetzen Sie den Controller.</li></ol>
Wassertemperatursensor-Fehler	P1	Wassertemperatursensor Unterbrechung oder Kurzschluss.	Ersetzen Sie den Wassertemperatursensor.
Ausfall des Umgebungstemperatursensors	P2	Umgebungstemperatursensor Unterbrechung oder Kurzschluss.	Ersetzen Sie den Umgebungstemperatursensor.
Niederdruckschutz	EL	<ol style="list-style-type: none"><li>1. Niederdruckschalter nicht angeschlossen oder defekt.</li><li>2. Ausströmen von Gas.</li></ol>	Es muss von den professionellen Technikern repariert werden.

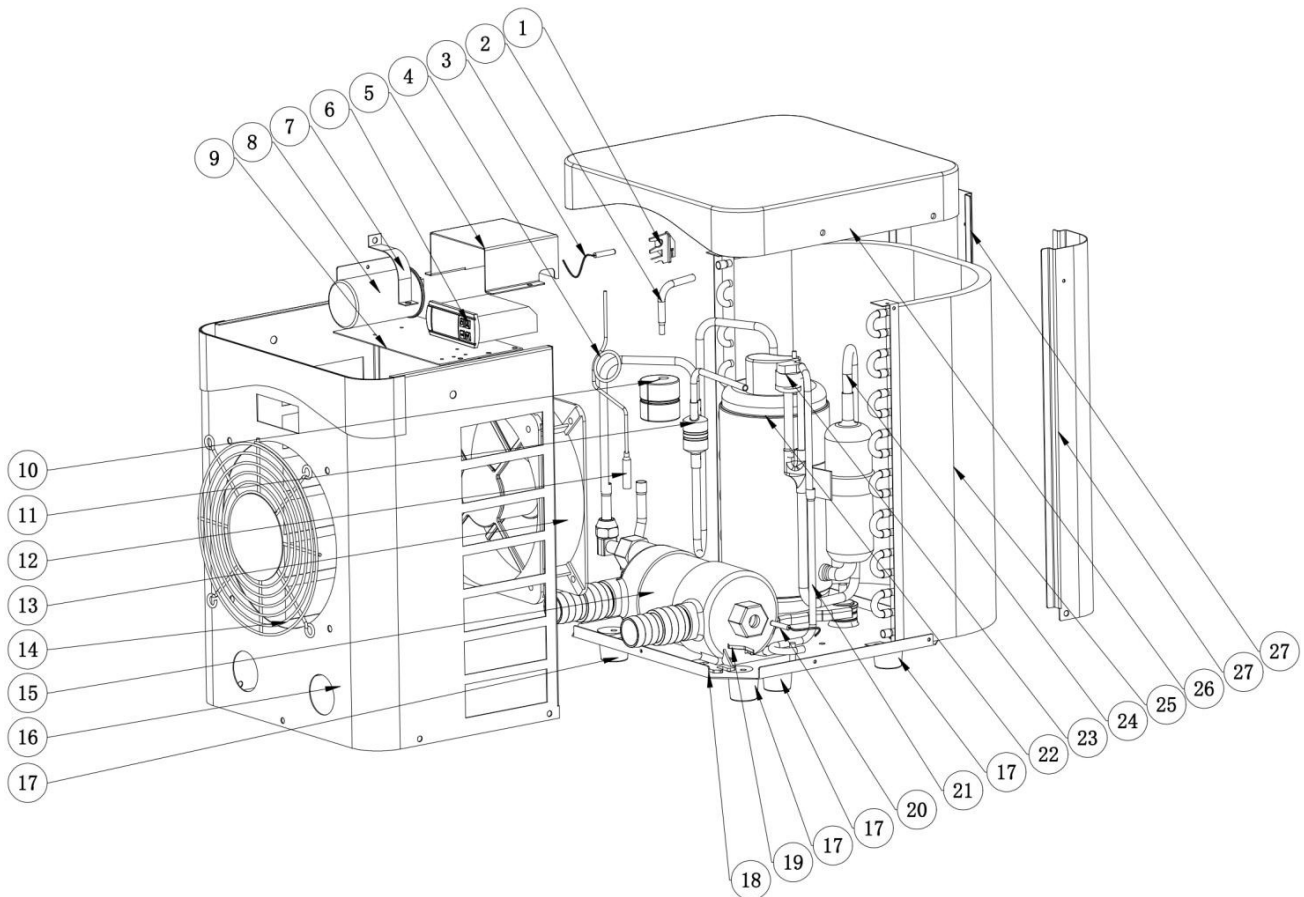


## 7.2 Andere Fehlfunktionen und ihre Lösung (werden nicht auf der LED-Kabelsteuerung angezeigt)

Fehlfunktion	Anzeichen	Ursachen	Lösung
Wärmepumpe läuft nicht	LED-Kabelsteuerung hat keine Anzeige.	Keine Stromzufuhr	Check cable and circuit breaker if it is connected.
	LED-Kabelsteuerung zeigt die aktuelle Wassertemperatur an.	<ol style="list-style-type: none"> <li>1. Wassertemperatur erreicht den vorgesehenen Wert, HP ist auf konstantem Temperaturniveau</li> <li>2. Wärmepumpe hat erst zu arbeiten angefangen</li> </ol>	<ol style="list-style-type: none"> <li>1. Überprüfen Sie die Wassertemperatureinstellungen.</li> <li>2. Starten Sie die Wärmepumpe nach ein paar Minuten.</li> </ol>
Kurze Laufzeiten	LED-Bildschirm zeigt aktuelle Wassertemperatur an, kein Fehlercode wird angezeigt.	<ol style="list-style-type: none"> <li>1. Ventilator läuft nicht</li> <li>2. Luftzirkulation ist nicht ausreichend.</li> <li>3. Unzureichende Kühlmittel.</li> </ol>	<ol style="list-style-type: none"> <li>1. Überprüfen Sie die Kabelverbindungen zwischen dem Motor und dem Ventilator. Wenn nötig sollten Sie ersetzt werden.</li> <li>2. Überprüfen Sie die Position der Wärmepumpeneinheit, und entfernen Sie alle Hindernisse um eine optimale Luftzirkulation zu erreichen.</li> <li>3 Ersetzen oder reparieren Sie die Wärmepumpeneinheit.</li> </ol>
Wasserflecken	Wasserflecken auf der Wärmepumpeneinheit	<ol style="list-style-type: none"> <li>1. Beton.</li> <li>2. Wasserlecke.</li> </ol>	<ol style="list-style-type: none"> <li>1. Nichts tun.</li> <li>2. Überprüfen Sie den Luft-Wärmewechsle auf Defekte.</li> </ol>

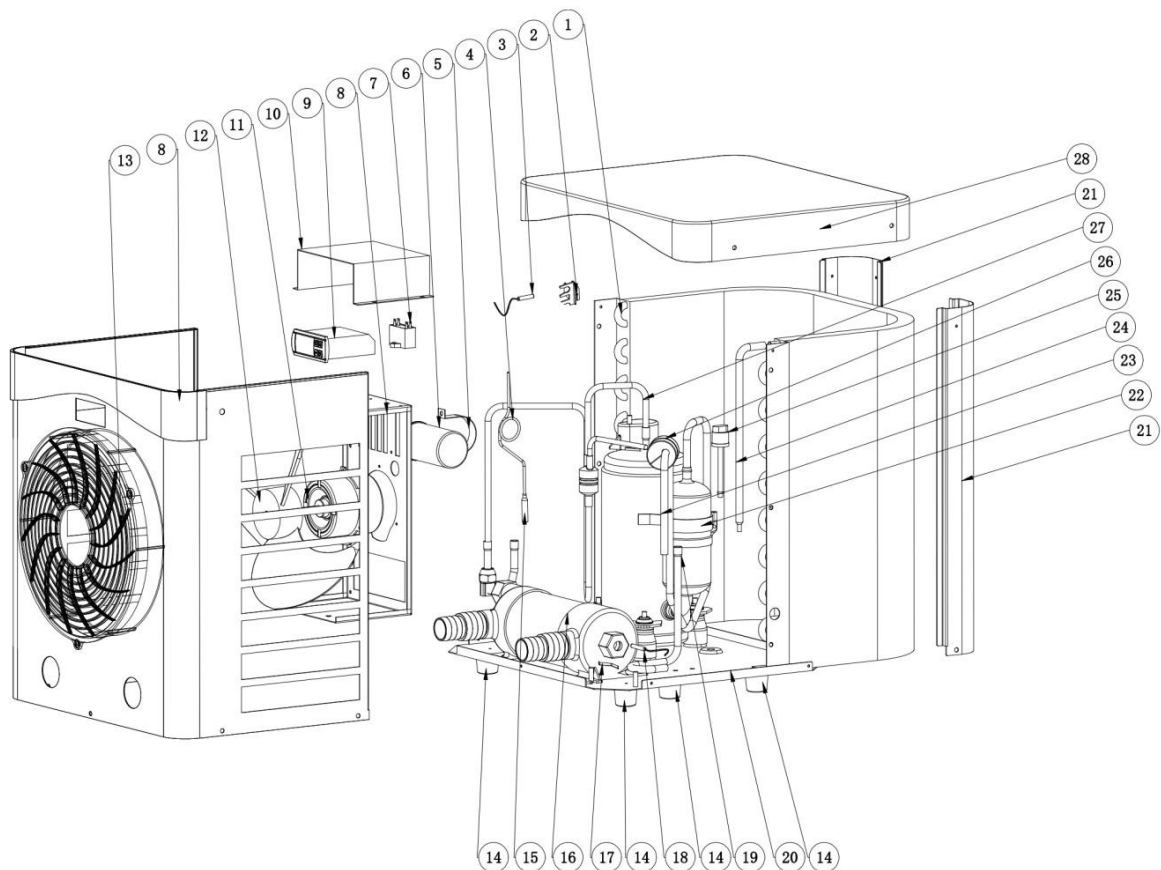
## 8. Explosionszeichnung

Gerät: HPM20



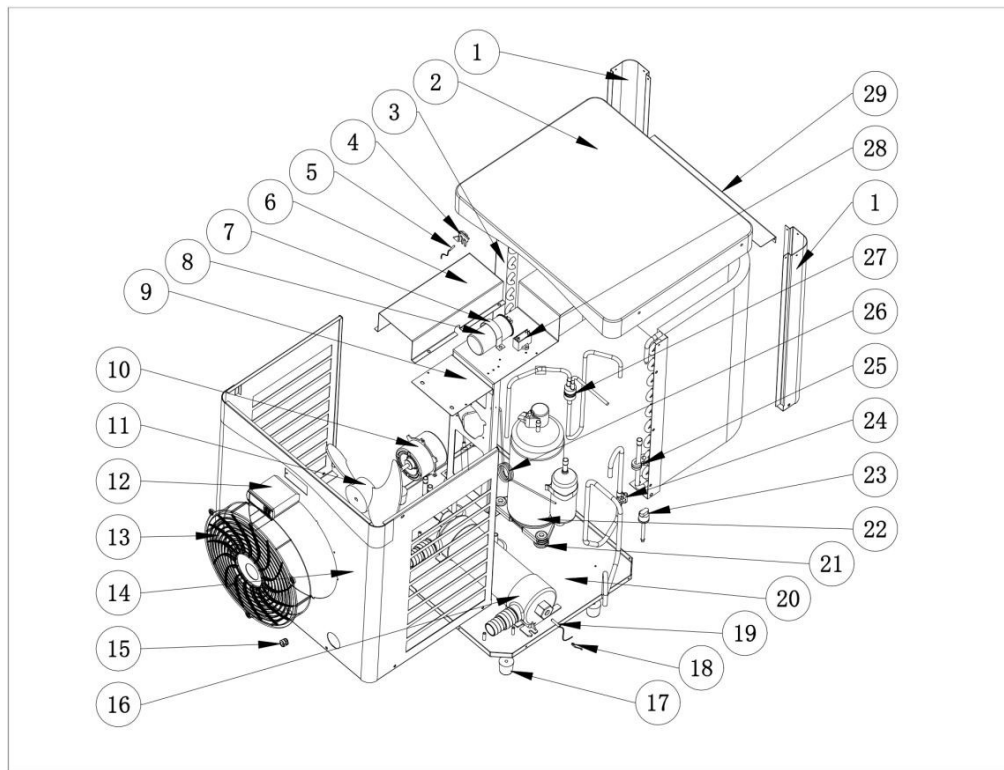
Nr.	Bezeichnung der Teile	HPM20	Nr.	Bezeichnung der Teile	HPM20
1	Clip du capteur de température	102040891	15	Titanaustauscher	102040891
2	Tube gaz	108680047	16	Frontblende	108680047
3	Sonde de température T5	136020168	17	GummifüÙe	136020168
4	Capillaire	108680045	18	Base	108680045
5	Coffret électrique	108010025	19	Clip	108010025
6	Contrôleur	117110068	20	Wasser in Temp. Sensor T1	117110068
7	Clip de fixation	113050123	21	Gassammelrohr	113050123
8	Condensateur compresseur	101000233	22	Kompressor	101000233
9	Panneau supérieur ventilateur	116000091	23	Niederdruckschalter	116000091
10	Marteau en caoutchouc antichoc	113010300	24	Abgasrohr	113010300
11	Tubería de retorno de gas	103000236	25	Verdampfer	103000236
12	Tube gaz	133400001	26	Obere Abdeckung	133400001
13	Support ventilateur	108680046	27	Säule	108680046
14	Kühlergrill	108680017			

Gerät: HPM30



Nr.	Ersatzteile	HPM30	Nr.	Ersatzteile	HPM30
1	Verdampfer	103000237	16	Kupferrohr	113100027
2	Umgebungstemperatur-Sensorclip	133020010	17	Titanaustauscher	102040900
3	Umgebungstemperatur. Sensor T5	117110079	18	Clip	108010025
4	Kapillar	109000038	19	Wasser in Temp. Sensor T1	117110068
5	Kompressor-Kapazitätsklemme	108010006	20	Gassammelrohr	113050125
6	Verdichterkapazität	111000011	21	Base	108690033
7	Lüfterkondensator	111000034	22	Säule	108690048
8	Frontplatte montieren	108690047	23	Kompressor	101000232
9	Regler	117020189	24	Gasrückführung	113020467
10	Elektrische Box	108690015	25	Kupferrohr	113420129
11	Lüftermotor	112000054	26	Niederdruckschalter	116000091
12	Ventilatorflügel	132000024	27	Stoßfester Gummihammer	136020026
13	Kühlergrill	133020052	28	Abgasrohr	113010351
14	Gummifüße	136020168	29	Obere Abdeckung	133330004

Gerät: HPM40



Nr.	Ersatzteile	HPM40	Nr.	Ersatzteile	HPM40
1	Säule	108950009	16	Titanaustauscher	117020363
2	Obere Abdeckung	133440001	17	Gummifüße	136020168
3	Verdampfer	103000343	18	Tauscher Temperatursensor Clip	108010025
4	Umgebungstemperatur.	133020010	19	Wasser in Temp. Sensor T1	117110068
5	Wasser in Temp. Sensor T1	117110068	20	Base	108950007
6	Elektrische Box	108950006	21	Kompressor Gummifüße	101000241
7	Kompressor-Kapazitätsklemme	108010006	22	Kompressor	101000241
8	Verdichterkapazität	111000012	23	Niederdruckschalter	116000091
9	Lüftermotorhalterung	108950010	24	Gasrückführung	113020602
10	Lüftermotor	112000079	25	Gummi	136020018
11	Ventilatorflügel	132000024	26	Kapillar	109000038
12	Regler	117020302	27	Abgasrohr	113020624
13	Kühlergrill	133020052	28	Lüfterkondensator	111000034
14	Frontplatte montieren	108950008	29	Trägerplatte der Motorhalterung	108950011
15	Netzkabelschnalle	142000126			

## 9. Wartung

(1) Sie sollten das Wasserversorgungssystem regelmäßig überprüfen, um zu verhindern, dass Luft in das System eindringt und ein niedriger Wasserdurchfluss entsteht, da dies die Leistung und Zuverlässigkeit des HD-Gerätes beeinträchtigen würde.

(2) Reinigen Sie Ihre Becken und Ihr Filtersystem regelmäßig, um Schäden am Gerät zu vermeiden.

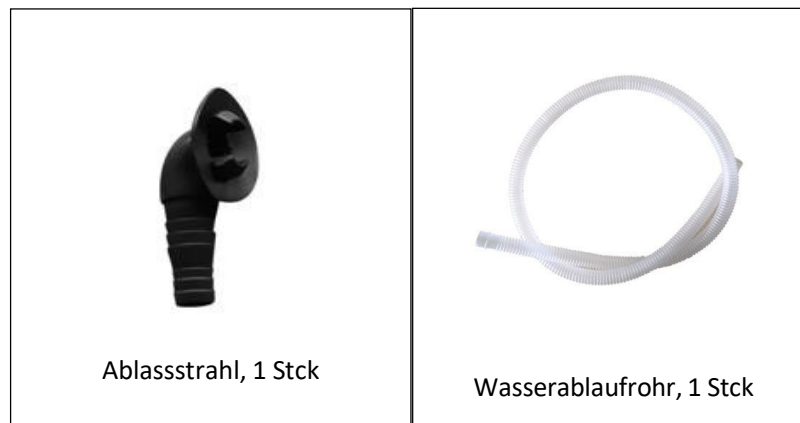
(3) Bitte entleeren Sie das Wasser in der Wärmepumpe immer im Winter oder wenn die Umgebungstemperatur unter 0 ° C fällt. Andernfalls wird der Titan-Wärmetauscher durch Gefrieren beschädigt.

In diesem Fall geht Ihre Garantie verloren

(4) Überprüfen Sie den Wasserstand vor dem Start des Gerätes nach einer längeren Nutzungspause.

(5) Wenn das Gerät in Betrieb ist, tritt Kondensat aus dem Boden des Gerätes aus. Das ist normal.

## 10. Zubehör



## **DE - GARANTIEZERTIFIKAT**

### **1 ALLGEMEINEGESICHTSPUNKTE**

- 1.1 In Übereinstimmung mit diesen Verfügungen garantiert der Verkäufer, dass das Produkt dieser Garantie("das Produkt") entspricht und dass es im Moment der Übergabe in allen Punkten mit den Anforderungen übereinstimmt.
- 1.2 Der Garantiezeitraum für das Produkt beträgt zwei (2) Jahre und wird ab dem Augenblick der Lieferung an den Käufer gerechnet.
- 1.3 Falls ein Mangel am Produkt auftritt und der Käufer den Verkäufer innerhalb des Garantiezeitraums darüber unterrichtet, muss der Verkäufer das Produkt auf eigene Kosten dort reparieren oder ersetzen, wo es für ihn am günstigsten ist, es sei denn, dies ist unmöglich oder unverhältnismäßig.
- 1.4 Wenn das Produkt weder repariert noch ersetzt werden kann, kann der Käufer einen angemessenen Preisnachlass beantragen, oder, falls es sich um einen größeren Mangel handelt, die Auflösung des Kaufvertrages.
- 1.5 Die Teile, die aufgrund dieser Garantie ersetzt oder repariert werden, verlängern den Garantiezeitraum für das Originalprodukt nicht. Jedoch existiert für diese Teile eine eigene Garantie.
- 1.6 Um die vorliegende Garantie wirksam werden zu lassen, muss der Käufer das Kaufdatum und das Lieferdatum des Produktes belegen.
- 1.7 Nach Ablauf von sechs Monaten ab Lieferung des Produktes an den Käufer muss, im Falle eines Mangels, der Käufer den Ursprung und das Vorhandensein des angegebenen Mangels belegen.
- 1.8 Das vorliegende Garantiezertifikat schränkt die Rechte, die der Verbraucher aufgrund der herrschenden, nationalen Gesetzgebung hat, nicht ein.




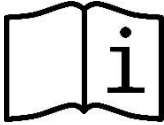
### **2 SONDERBEDINGUNGEN**

- 2.1 Die vorliegende Garantie gilt für die Produkte, auf die sich dieses Handbuch bezieht.
- 2.2 Das vorliegende Garantiezertifikat ist nur in den Ländern der Europäischen Gemeinschaft anwendbar.
- 2.3 Diese Garantie gilt nur, wenn der Käufer alle Anweisungen des Herstellers, die in der produktbegleitenden Dokumentation enthalten und für die jeweilige Produktlinie und Modell anwendbar ist, streng einhält.
- 2.4 Wenn ein Zeitplan für den Austausch von Teilen, die Instandhaltung und Reinigung bestimmter Teile oder Produktkomponenten aufgestellt wurde, gilt die Garantie nur dann, wenn dieser Zeitplan korrekt eingehalten wurde.

### **3 EINSCHRÄNKUNGEN**

- 3.1 Die vorliegende Garantie ist nur auf Verkäufe an Verbraucher anwendbar. "Verbraucher" sind alle Personen, die dieses Produkt zu privaten Zwecken erwerben.
- 3.2 Es wird keine Garantie für die normale Abnutzung durch den Gebrauch des Produktes gewährt. Informationen über Teile, Komponenten und/oder verschleißbare Materialien oder Verbrauchsgüter oder Batterien, Glühlampen etc. finden Sie in der Dokumentation, die das jeweilige Produkt begleitet.
- 3.3 In folgenden Fällen gilt die Garantie nicht: (I) Das Produkt wurde nicht korrekt benutzt; (II) das Produkt wurde von nicht autorisierten Personen repariert, instandgehalten oder bedient oder (III) das Produkt wurde mit nicht originalen Ersatzteilen repariert oder instandgehalten. Wenn der Mangel auf eine falsche Installation oder Inbetriebnahme zurückzuführen ist, gilt die vorliegende Garantie nur, wenn diese Installation oder Inbetriebnahme in den Kaufvertrag des Produktes eingeschlossen war, und von dem Verkäufer oder auf dessen Verantwortung durchgeführt wurde.

 **AVVERTENZE**

	<p>Questo simbolo indica che sono disponibili ulteriori informazioni nel Manuale d'uso nel Manuale d'installazione.</p>		<p>Questo simbolo indica che l'apparecchio usa R32, un refrigerante a bassa velocità di combustione.</p>
	<p>Questo simbolo indica che il Manuale d'uso deve essere letto con attenzione.</p>		<p>Questo simbolo indica che un tecnico addetto alla manutenzione deve intervenire sull'apparecchio nel rispetto del Manuale d'installazione.</p>

### AVVERTENZE GENERALI

- Il mancato rispetto delle avvertenze potrebbe causare danni all'attrezzatura della piscina o comportare ferite gravi, se non addirittura il decesso.
- Solo personale qualificato nei settori tecnici interessati (elettrico, idraulico o della refrigerazione) è abilitato ad eseguire lavori di manutenzione o di riparazione dell'apparecchio. Il tecnico qualificato che interviene sull'apparecchio deve utilizzare/indossare un dispositivo di protezione individuale (quali occhiali di sicurezza, guanti di protezione, ecc.) per ridurre il rischio di lesioni che potrebbero verificarsi durante l'intervento sull'apparecchio.
- Prima di qualsiasi intervento sull'apparecchio, accertarsi che non sia collegato alla rete elettrica e fuori servizio.
- Questo apparecchio non è destinato a essere utilizzato da persone (bambini inclusi, dagli 8 anni in su) prive di esperienza o con deficit fisici, sensoriali o mentali eccetto se sotto sorveglianza oppure dopo che le stesse abbiano ricevuto istruzioni relative all'uso dell'apparecchio da una persona responsabile della loro sicurezza; e se comprendono i pericoli che comporta.
- Sorvegliare i bambini per assicurarsi che non giochino con l'apparecchio.
- L'installazione dell'apparecchio deve essere eseguita conformemente alle istruzioni del produttore e nel rispetto delle normative locali e nazionali in vigore. L'installatore è responsabile dell'installazione dell'apparecchio e del rispetto delle normative nazionali vigenti in materia di installazione. In alcun caso il fabbricante potrà essere ritenuto responsabile in caso di mancato rispetto delle norme d'installazione locali vigenti.
- Per operazioni di manutenzione diverse da quelle semplici descritte nel presente manuale che possono essere realizzate dall'utilizzatore, è necessario rivolgersi a un tecnico specializzato.
- Un'installazione /o un utilizzo errati possono comportare danni materiali o corporali gravi (che possono causare il decesso).
- In caso di malfunzionamento dell'apparecchio: non cercare di riparare l'apparecchio da soli e contattare un tecnico qualificato.
- La disattivazione, l'eliminazione o l'aggiramento di uno degli elementi di sicurezza dell'apparecchio annulla automaticamente la garanzia al pari dell'utilizzo di pezzi di ricambio di un terzo non autorizzato.
- Non spruzzare insetticida o altro prodotto chimico (infiammabile o non infiammabile) in direzione dell'apparecchio, potrebbe deteriorare la scocca e causare un incendio.
- Non toccare il ventilatore né i componenti mobili e non inserire oggetti né le dita vicino ai componenti mobili quando l'apparecchio è in funzione. I componenti mobili possono provocare lesioni gravi che possono anche portare al decesso.

### AVVERTENZE LEGATE AGLI APPARECCHI ELETTRICI

- L'alimentazione elettrica dell'apparecchio deve essere protetta da un dispositivo di protezione a corrente differenziale residua (DDR) di 30 mA dedicato, conformemente alle norme vigenti nel paese di installazione.
- Non utilizzare una prolunga per collegare l'apparecchio; collegarlo direttamente a un circuito di alimentazione adatto.
- Prima di qualunque operazione verificare che:
  - La tensione indicata sulla targhetta segnaletica dell'apparecchio corrisponde a quella della rete elettrica,
  - La rete elettrica sia adatta all'uso dell'apparecchio e disponga di una presa di terra,
  - La scheda di alimentazione (se presente) si adatta alla presa di corrente.
    - Non scollegare e ricollegare l'apparecchio quando è in funzione.
    - Non tirare il cavo di alimentazione per scollegarlo.
    - Se il cavo di alimentazione è danneggiato, va tassativamente sostituito dal produttore, da un tecnico incaricato della manutenzione o da un soggetto qualificato, per garantire la sicurezza.
    - Non effettuare operazioni di manutenzione dell'apparecchio con le mani bagnate o se l'apparecchio è bagnato.
    - Prima di collegare l'apparecchio alla fonte di alimentazione, controllare che il blocco di raccordo o la presa di alimentazione alla quale sarà collegato l'apparecchio siano in buono stato e non siano danneggiati o arrugginiti.
    - In caso di tempo burrascoso, scollegare l'apparecchio di alimentazione per evitare che sia danneggiato da un fulmine.
    - Non immergere l'apparecchio in acqua o nel fango ; tenere l'interruttore di circuito lontano dall'acqua

#### **AVVERTENZE RIGUARDANTI GLI APPARECCHI CONTENENTI REFRIGERANTE R32**

- Il refrigerante R32 è un refrigerante di categoria A2L, considerato potenzialmente infiammabile.
- Non disperdere il fluido R32 nell'atmosfera. Questo fluido è un gas fluorurato ad effetto serra, coperto dal protocollo di Kyoto, con un potenziale di riscaldamento globale (GWP) = 675 (normativa europea UE 517/2014).
- L'apparecchio deve essere conservato in un luogo ben areato lontano da fiamme.
- Installare l'unità all'esterno. Non installare l'unità all'interno o in uno spazio chiuso e non areato all'esterno.
- Non utilizzare mezzi di accelerazione del processo di sbrinamento o di pulizia diversi da quelli raccomandati dal produttore.
- L'apparecchio deve essere conservato in un locale privo di fonti di scintilla costantemente in funzione (ad esempio: fiamme all'aperto, apparecchio a gas in funzione o riscaldamento elettrico in funzione).
- Non forare, né incenerire.
- Il refrigerante R32 può emanare un certo odore.
- Nel rispetto delle norme e dei regolamenti pertinenti in materia ambientale e relativi all'installazione, nello specifico il decreto N° 2015-1790 e/o la regolamentazione europea UE 517/2014, deve essere effettuata una ricerca della presenza di perdite sul circuito di raffreddamento almeno una volta l'anno. Questa operazione deve essere effettuata da un tecnico certificato degli apparecchi di raffreddamento.
- Tenere la scheda video in un'area asciutta per proteggerla da eventuali danni causati dall'umidità.

#### **MANUTENZIONE: AVVERTENZE RIGUARDANTI GLI APPARECCHI CONTENENTI REFRIGERANTE R32**

- Durante le fasi d'installazione, di riparazione, di manutenzione, è vietato utilizzare i tubi come poggiapiedi: sotto la sollecitazione, i tubi potrebbero rompersi e il refrigerante potrebbe provocare gravi ustioni.



- Durante la fase di manutenzione dell'apparecchio, saranno controllati la composizione e lo stato del fluido termovettore e anche l'assenza di tracce di refrigerante.
- Durante il controllo annuale della tenuta stagna dell'apparecchio, in conformità alle leggi vigenti, verificare che i pressostati alta e bassa pressione siano collegati correttamente al circuito refrigerante e che interrompano il circuito elettrico in caso di scatto.
- Durante la fase di manutenzione assicurarsi che non ci siano tracce di corrosione o di macchie d'olio intorno ai componenti frigoriferi.
- Non brasare o saldare il tubo se c'è del refrigerante all'interno della macchina. Si prega di non caricare il gas in uno spazio ristretto.

#### **Verifica della zona**

- Prima di iniziare a lavorare su sistemi che contengono fluidi frigoriferi infiammabili, è necessario effettuare dei controlli di sicurezza per garantire la riduzione del rischio di scintille.

#### **Procedura di lavoro**

- I lavori devono essere effettuati secondo una procedura controllata per evitare il pericolo di liberazione di gas o vapore infiammabile durante le operazioni.

#### **Zona generale di lavoro**

- Il personale addetto alla manutenzione e le altre persone che lavorano nell'area vicina devono essere messi al corrente dei lavori effettuati. Devono essere evitati i lavori in spazi confinati.
- Prima di ogni intervento sul circuito refrigerante, è imperativo arrestare l'apparecchio ed aspettare qualche minuto prima di installare i sensori di temperatura o di pressione, alcuni apparecchi come il compressore e i tubi possono raggiungere temperature superiori a 100°C e pressioni elevate che possono provocare gravi ustioni.

#### **Verifica della presenza di refrigerante**

- La zona deve essere sottoposta a verifica utilizzando un rilevatore di refrigerante appropriato prima e durante i lavori, così che il tecnico sia avvertito della presenza di un'atmosfera potenzialmente tossica o infiammabile. Accertarsi che l'apparecchio di rilevazione delle perdite utilizzato sia adatto a essere utilizzato per tutti i refrigeranti interessati, cioè non possa provocare scintille, sia correttamente isolato o perfettamente sicuro.

#### **Presenza di un estintore**

- Se devono essere effettuati lavori che comportano una certa temperatura sull'apparecchio frigorifero o su qualsiasi componente associato, un dispositivo antincendio deve trovarsi a portata di mano. Posizionare un estintore a polvere o a CO2 vicino alla zona di lavoro.

#### **Assenza di sorgente d'ignizione**

- Nessun soggetto che effettua lavori su un sistema frigorifero che comportano l'esposizione della tubatura deve utilizzare qualsiasi sorgente di scintille che potrebbe provocare un incendio o un'esplosione. Tutte le possibili sorgenti di scintille, in particolare le sigarette, devono essere tenute a sufficiente distanza dal sito d'installazione, di riparazione, di rimozione o di eliminazione quando il refrigerante può potenzialmente essere liberato nello spazio circostante. Prima di procedere con i lavori, è necessario esaminare la zona intorno all'apparecchio per accertarsi dell'assenza di pericoli di incendio o di scintille. Devono essere esposti dei cartelli "Vietato fumare".

#### **Ventilazione della zona**

- Prima di accedere in qualunque modo all'unità per effettuare qualsiasi tipo di manutenzione, accertarsi che la zona sia aperta e ben areata. Durante la manutenzione dell'unità deve essere mantenuta un'areazione adeguata, che permette la dispersione in sicurezza del refrigerante che potrebbe essere liberato nell'atmosfera.

#### **Verifica dell'apparecchio di refrigerazione**

- Vanno sempre rispettate le raccomandazioni del produttore relative alla manutenzione. Durante la sostituzione di componenti elettrici, accertarsi di utilizzare solo componenti dello stesso tipo e della stessa categoria, raccomandati/approvati dal produttore. In caso di dubbio, consultare il servizio di

assistenza tecnica del produttore per chiedere aiuto.

- Devono essere effettuate le seguenti verifiche sugli impianti che utilizzano refrigeranti infiammabili:
- le marcature presenti sull'apparecchio devono rimanere visibili e leggibili, eventuali marcature o simboli illeggibili devono essere corretti;
- le tubature o i componenti refrigeranti sono installati in una posizione nella quale è poco probabile che siano esposti a sostanze in grado di corrodere componenti contenenti refrigerante, sempre se i componenti sono fabbricati con materiali normalmente resistenti alla corrosione o correttamente protetti contro una corrosione di questo tipo.

#### **Verifica dei componenti elettrici**

- La riparazione e la manutenzione dei componenti elettrici devono comportare controlli di sicurezza iniziali e procedure di ispezione dei componenti. Se si verifica un malfunzionamento che può compromettere la sicurezza, il circuito non deve essere in alcun modo collegato all'alimentazione elettrica fino a che il problema non sia stato completamente risolto. Se il malfunzionamento non può essere corretto subito, ma i lavori devono proseguire, deve essere trovata una soluzione temporanea adeguata. Il problema va segnalato al proprietario dell'apparecchio così che tutte le persone coinvolte siano avvertite.
- La riparazione e la manutenzione dei componenti elettrici devono comportare i seguenti controlli di sicurezza iniziali:
- i condensatori sono scarichi: questa operazione va effettuata in sicurezza per evitare la possibilità di scintille;
- nessun componente elettrico, né alcun cablaggio alimentato è esposto durante la carica, il ripristino o lo spurgo del sistema;
- il collegamento alla terra deve essere sempre presente.

#### **Riparazione su componenti isolati**

- In caso di riparazioni su componenti isolati, scollegare l'alimentazione elettrica dell'apparecchio sul quale vengono effettuati i lavori prima di togliere il coperchio d'isolamento, ecc. Se l'alimentazione elettrica dell'apparecchio è assolutamente necessaria durante la manutenzione, è necessario posizionare un rivelatore di perdite che funziona di continuo nel punto più critico per segnalare situazioni potenzialmente pericolose.
- Prestare particolare attenzione ai punti seguenti per essere certi che, durante l'intervento sui componenti elettrici, il quadro elettrico non sia alterato al punto di compromettere il livello di protezione. Ciò deve includere i cavi danneggiati, un numero eccessivo di collegamenti, morsetti non conformi alle caratteristiche originarie, guarnizioni danneggiate, installazione errata dei premistoppa, ecc.
- Assicurarsi che l'apparecchio sia fissato correttamente.
- Accertarsi che le guarnizioni o i materiali isolanti non siano danneggiati al punto da non impedire più a un'atmosfera infiammabile di penetrare nel circuito. I pezzi di ricambio devono essere conformi alle specifiche del produttore.

#### **Riparazione dei componenti intrinsecamente sicuri**

- Non applicare cariche d'induzione o capacità elettrica permanente al circuito senza accertarsi che quest'ultima non superi la tensione e l'intensità autorizzate per l'apparecchio che si sta utilizzando.
- Normalmente, i componenti sicuri sono gli unici tipi sui quali è possibile lavorare in presenza di un'atmosfera infiammabile quando sono alimentati. L'apparecchio di test deve essere della classe appropriata.
- Sostituire i componenti solo con i pezzi indicati dal produttore. Altri pezzi potrebbero infiammare il refrigerante nell'atmosfera in caso di perdita.

#### **Cablaggio**

- Controllare che il cablaggio non presenti usura, corrosione, pressione eccessiva, vibrazione, margine tagliente o altri effetti ambientali negativi. Il controllo deve considerare anche gli effetti dell'invecchiamento o delle vibrazioni continue causate da sorgenti quali compressori o ventilatori.

#### **Rilevamento di fluido refrigerante infiammabile**

- Per la ricerca o il rilevamento di perdite di refrigerante non devono essere mai utilizzate sorgenti

potenziali di scintille. Non deve essere utilizzata una lampada aloide (o altri rilevatori che utilizzano una fiamma nuda).

- I seguenti metodi di rilevamento di perdite sono considerati accettabili per tutti i sistemi refrigeranti.
- Per rilevare perdite di refrigerante è possibile utilizzare i rilevatori di perdita elettronici ma, in caso di refrigerante infiammabile, è possibile che la sensibilità non sia adatta o richieda una nuova calibrazione. (Il dispositivo di rilevamento deve essere calibrato in un luogo privo di refrigerante). Accertarsi che il rilevatore non sia una sorgente potenziale di scintilla e sia adatto al refrigerante utilizzato. Il dispositivo di rilevamento delle perdite deve essere regolato a una percentuale di LFL del refrigerante e calibrato in funzione del refrigerante utilizzato. Deve essere confermata la percentuale di gas appropriata (25% al massimo).
- I fluidi di rilevamento di perdite sono egualmente adatti a essere utilizzati sulla maggior parte dei refrigeranti, ma deve essere evitato l'uso di detergenti contenenti cloro perché potrebbe reagire con il refrigerante e corrodere la tubatura in rame.
- Se si sospetta una perdita, devono essere eliminate/spente eventuali fiamme nude.
- Se si rileva una perdita di refrigerante che richiede una brasatura, tutto il refrigerante va tolto dal sistema o isolato (tramite valvole di chiusura) in una parte del sistema lontano dalla perdita.

#### **Rimozione e evacuazione**

- Quando si accede al circuito refrigerante per effettuare delle riparazioni o per altri motivi, devono essere utilizzate delle procedure convenzionali. Tuttavia, nel caso di refrigeranti infiammabili, è essenziale seguire le raccomandazioni perché va tenuto conto dell'infiammabilità. Deve essere rispettata la seguente procedura:
  - rimuovere il refrigerante;
  - spurgare il circuito con un gas inerte (facoltativo per l'A2L);
  - evacuare (facoltativo per l'A2L);
  - spurgare con un gas inerte (facoltativo per l'A2L);
  - aprire il circuito mediante taglio o brasatura.
- Il refrigerante deve essere recuperato in bombole appropriate. Per gli apparecchi che contengono refrigeranti infiammabili diversi dai refrigeranti A2L, il sistema deve essere spurgato con azoto privo di ossigeno per rendere l'apparecchio in grado di ricevere refrigeranti infiammabili. Può essere necessario ripetere il procedimento più volte. Non devono essere utilizzati aria compressa o ossigeno per spurgare i sistemi refrigeranti.

#### **Procedure di carica**

- Accertarsi che l'uscita della pompa a vuoto non si trovi vicino a potenziali sorgenti di scintille e che sia disponibile un sistema di aerazione.
- Oltre alle procedure di carica convenzionali, devono essere rispettati i seguenti punti.
- Accertarsi che non si verifichi una contaminazione tra i differenti refrigeranti quando si utilizza un dispositivo di carica. I flessibili o le linee devono essere il più corti possibili per ridurre la quantità di refrigeranti che contengono.
- Le bombole devono essere mantenuti in posizione appropriata, conforme alle istruzioni.
- Accertarsi che il sistema refrigerante sia collegato alla terra prima di caricare il sistema con il refrigerante.
- Etichettare il sistema dopo aver completato la carica (se già non lo è).
- Prestare particolare attenzione a non riempire eccessivamente il sistema refrigerante.
- Prima di ricaricare il sistema, va effettuato un test di pressione con un gas di spurgo appropriato. Al termine della carica, ma prima della messa in servizio, il sistema va ispezionato per accertarsi dell'assenza di perdite. Prima di lasciare il luogo deve essere effettuato un test di rilevamento delle perdite.

#### **Smantellamento**

- Prima di effettuare una procedura di smantellamento, è indispensabile che il tecnico abbia familiarità con l'apparecchio e le sue caratteristiche. Si raccomanda in particolare di recuperare tutti i refrigeranti. Prima di effettuare questa operazione, deve essere recuperato un campione di olio di refrigerante se è necessario effettuare delle analisi prima di riutilizzare il refrigerante recuperato. È

indispensabile verificare la presenza dell'alimentazione elettrica prima di iniziare l'intervento.

1. Familiarizzare con l'apparecchio e la sua modalità di funzionamento.
2. Isolare elettricamente il sistema.
3. Prima di iniziare la procedura, accertarsi dei seguenti punti:
  - se necessario, è disponibile un dispositivo di manutenzione meccanico per manipolare le bombole di refrigerante;
  - tutti i dispositivi di protezione individuale sono disponibili e utilizzati in modo corretto;
  - il processo di recupero è controllato in tutte le fasi da una persona competente;
4. L'attrezzatura e le bombole di recupero sono conformi alle norme applicabili.
5. Evacuare il sistema refrigerante, se possibile.
6. Se non viene creato un vuoto, utilizzare un collettore per recuperare il refrigerante da diversi punti del sistema.
7. Accertarsi che la bombola si trovi sulle bilance prima di iniziare le operazioni di recupero.
8. Avviare il dispositivo di recupero e farla funzionare secondo le istruzioni.
9. Non riempire troppo le bombole (non oltre l'80% del volume di carico liquido).
10. Non oltrepassare la pressione massima di funzionamento della bombola, neanche temporaneamente.
11. Quando le bombole sono riempite correttamente e il processo è terminato, accertarsi che le bombole e l'attrezzatura siano rapidamente portate via dal luogo e che le valvole d'isolamento alternative dell'apparecchio siano chiuse.
12. Il refrigerante recuperato non deve essere caricato in un altro sistema refrigerante, a meno che non sia stato pulito e controllato.

#### **RIPARAZIONE**

- Ogni intervento di brasatura dovrà essere realizzato da un professionista qualificato.
- La sostituzione delle tubature sarà effettuata solo con tubo di rame in conformità alla norma NF EN 12735-1.
- Rilevazione di perdite, in caso di test sotto pressione:
  - non utilizzare mai ossigeno o aria secca: rischio d'incendio o di esplosione,
  - utilizzare l'azoto disidratato o una miscela di azoto e di refrigerante indicato sulla targhetta segnaletica,
  - la pressione del test lato bassa e alta pressione non deve superare i 42 bar nel caso in cui l'apparecchio sia dotato dell'opzione manometro.
- Per le tubature del circuito alta pressione realizzate con tubo di rame di un diametro  $\phi > 1''5/8$ , dovrà essere richiesto al fornitore un certificato §2.1 conforme alla norma NF EN 10204 da conservare nel fascicolo tecnico dell'impianto.
- Le informazioni tecniche relative ai requisiti di sicurezza delle diverse direttive applicate sono indicate sulla targhetta segnaletica. Tutte queste informazioni devono essere registrate sul manuale d'installazione dell'apparecchio che deve essere allegato al fascicolo tecnico dell'impianto: modello, codice, numero di serie, TS massimo e minimo, PS, anno di produzione, marchio CE, indirizzo del produttore, refrigerante e peso, parametri elettrici, rendimento termodinamico e acustico.

#### **ETICHETTATURA**

- L'apparecchio deve essere etichettato indicando che è stato messo fuori servizio e che il refrigerante è stato rimosso.
- L'etichetta deve essere datata e firmata.
- Per gli apparecchi che contengono refrigerante infiammabile, controllare che le etichette siano apposte sull'apparecchio e rechino l'indicazione che contiene refrigerante infiammabile.

#### **RECUPERO**

- Al momento dello svuotamento del refrigerante, per la manutenzione o la messa fuori servizio, si raccomanda di seguire le buone pratiche per eliminare tutto il refrigerante in sicurezza.
- Quando il refrigerante viene trasferito in una bombola, utilizzare una bombola di recupero adatta al refrigerante. Munirsi di un numero di bombole sufficiente a recuperare tutto il fluido. Tutte le bombole devono essere state progettate per il recupero del refrigerante e etichettate per questo

fluido frigorifero e etichettate per questo refrigerante specifico. Le bombole devono essere dotate di una valvola di depressione e di valvole di arresto in buono stato. Le bombole di recupero vuote sono evacuate e, se possibile, raffreddate prima del recupero.

- Il dispositivo di recupero deve funzionare correttamente, le istruzioni per l'uso del dispositivo devono essere a portata di mano e il dispositivo deve essere adatto al refrigerante in questione, compreso, eventualmente, il refrigerante infiammabile. Inoltre, devono essere disponibili delle bilance calibrate e perfettamente funzionanti. I tubi devono essere completi, non presentare perdite né collegamenti scollegati e devono essere in buono stato. Prima di utilizzare il dispositivo di recupero, controllare che funzioni perfettamente, che si stato sottoposto a manutenzione e che i componenti elettrici siano a tenuta per evitare un inizio di incendio in caso di liberazione del refrigerante. In caso di dubbi, rivolgersi al produttore.
- Il refrigerante recuperato deve essere inviato al fornitore di refrigerante nella bombola di recupero, con una bolla di trasporto rifiuti. Non mescolare differenti fluidi refrigeranti nelle unità di recupero e in particolare nelle bombole.
- Se il compressore è deposto e l'olio del compressore svuotato, controllare la corretta evacuazione del refrigerante per evitare che si mescoli al lubrificante. Il processo di svuotamento deve essere realizzato prima di inviare il compressore al fornitore. Solo la superficie scaldante del corpo del compressore può essere utilizzata per accelerare questo processo. Quando tutti i liquidi di un sistema sono spurgati, questa operazione deve essere realizzata in sicurezza.



#### **Riciclaggio**

Questo simbolo richiesto dalla direttiva europea DEEE 2012/19/UE (direttiva relativa ai rifiuti di apparecchi elettrici e elettronici) indica che l'apparecchio non può essere smaltito come rifiuto ordinario. Sarà destinato alla raccolta differenziata in vista del suo riutilizzo, riciclaggio o valorizzazione. Se contiene sostanze potenzialmente dannose per l'ambiente, saranno eliminate o neutralizzate. Informarsi presso il proprio rivenditore sulle modalità di riciclaggio.

# MINI HEATER

## Manuale di Uso e Manutenzione

### INDICE

1. Specifiche
2. Trasporto
3. Dimensioni
4. Installazione e collegamento
5. Cablaggio elettrico
6. Controller display di funzionamento
7. Risoluzione dei problemi
8. Esplosi
9. Manutenzione
10. Accessori



**ATTENTION: Il presente manuale comprende tutte le informazioni necessarie all'utilizzo e all'installazione della vostra pompa di calore.**

L'installatore deve leggere attentamente il manuale e seguire le istruzioni per la messa in funzione e la manutenzione.

L'installatore è responsabile dell'installazione del prodotto e deve seguire tutte le istruzioni del produttore e regolamenti in vigore. Un'errata installazione porterà alla nullità della garanzia.

Il produttore declina ogni responsabilità per danni causati a terzi, infiltrazioni di oggetti ed errori dovuti a un mancato rispetto delle linee guida. Ogni uso che differisca da quello inteso dal produttore condurrà all'invalidazione della garanzia.

Grazie per aver scelto Mini Heater per riscaldare la vostra piscina, riscalderà l'acqua e manterrà costante la temperatura con una temperatura dell'aria superiore ai 12°C.

# 1. Specifiche

## 1.1 Dati tecnici per pompe di calore per piscine

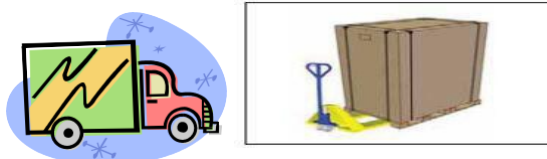
Articolo	HPM20	HPM30	HPM40
Codice	71245	71258	71606
<b>* Capacità di riscaldamento con Aria a 28°C, Acqua a 28°C, Umidità all'80%</b>			
Capacità di riscaldamento (kW)	2.5	4.2	5.5
Consumo energetico (kW)	0.59	1	1.31
COP	4.2	4.2	4.2
<b>* Capacità di riscaldamento con Aria a 15°C, Acqua a 26°C, Umidità al 70%</b>			
Produzione di calore (kW)	1.9	3.2	4.2
Consumo energetico (kW)	0.56	0.91	1.2
COP	3.4	3.5	3.5
<b>* Dato generali</b>			
Voltaggio (V)	220-240V~50Hz/1PH		
Corrente nominale (A)	2.6	4.4	5.8
Fusibile di protezione (A)	7.5	10	16
Volume massimo della piscina ** (m3)	<20	<30	<40
Portata d'acqua minima e consigliata (m3/h)	2	2	2.5
Pressione di esercizio massima/minima (Mpa)	4.2/0.05		
Caduta di pressione dell'acqua (Kpa)	15	15	15
Scambiatore di calore	Scambiatore in titanio in PVC		
Grado di protezione	IPX4		
Tubo di entrata-uscita dell'acqua (mm)	38/3		
Velocità del ventilatore (rpm)	2500	1100	1100
Pressione sonora (10m) dB(A)	48	46	46
Pressione sonora (1m) dB(A)	57	55	55
Carica in g di gas refrigerante (R32)	160	290	400
<b>* Dimensioni/Peso</b>			
Peso netto (kg)	18	26	30
Peso lordo (kg)	19	28.5	33
Dimensioni nette (mm)	313*364.5*428.5	435*436.5*511.5	515*487*541.5
Dimensioni dell'imballo (mm)	380*455*500	496*525*575	570*570*605

\* Le succitate specifiche possono essere soggette a modifica senza previa comunicazione.

\*\* Controlla la nostra confezione o il nostro sito web per maggiori dettagli.

## 2. Trasporto

### 2.1 Consegna dell'imballo



Per essere trasportate, le pompe di calore vengono fissate su un pallet e imballate con una scatola di cartone. Per proteggerle da qualsiasi tipo di danno, la pompa di calore deve essere movimentata unitamente al proprio imballo.

È responsabilità in capo al destinatario notificare qualsiasi danno occorso durante la consegna. La notifica deve essere apposta, sotto forma di riserva motivata, sul ddt di consegna. Per i danni occulti, da notificare entro 8 giorni dal ricevimento, fare riferimento al Codice Civile. Non verrà assunta alcuna responsabilità dopo che l'unità è stata accettata.

### 2.2 Stoccaggio



\* Il magazzino deve essere luminoso, spazioso, aperto, ben ventilato, deve disporre di sistema per la ventilazione ed essere privo di fonti di ignizione.

\* Le pompe di calore devono essere immagazzinate e movimentate in posizione verticale utilizzando il loro imballo originale. Se ciò non avviene, è necessario che siano trascorse 24 ore prima che le unità possano essere collegate all'alimentazione e accese.

**VIETATO**



### 2.3 Movimentazione alla posizione definitiva

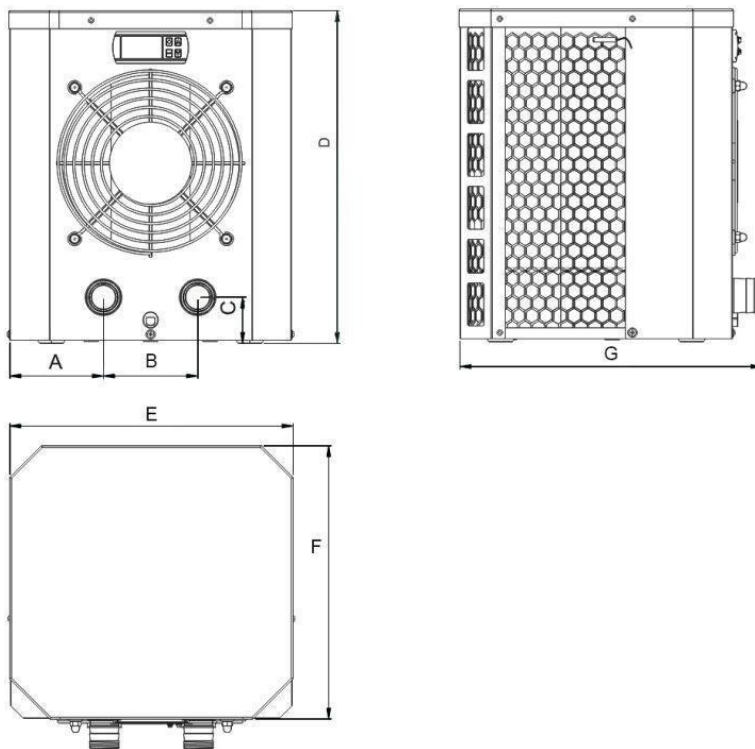
\* Durante le operazioni per disimballare il prodotto e durante il suo trasferimento dal pallet al luogo di definitiva installazione, è necessario mantenere la pompa di calore in posizione verticale.

\* È vietato fumare e utilizzare fiamme libere in prossimità di un'apparecchiatura che funzioni a R32.

Il collegamento idrico non deve essere utilizzato come maniglia di carico. **Il produttore non si assumerà alcuna responsabilità in caso di danni alle tubature dell'acqua.**



### 3. Dimensioni



Articolo / (mm)	A	B	C	D	E	F	G
<b>HPM20</b>	90.4	130	50	428.5	313	300	364.5
<b>HPM30</b>	116.5	200	50	511.5	435	365	436.5
<b>HPM40</b>	134.6	260	50	541.5	515	421	487

## 4. Installazione e collegamento

### Attenzione:

Quando si installa la pompa di calore, si prega di osservare le seguenti indicazioni:

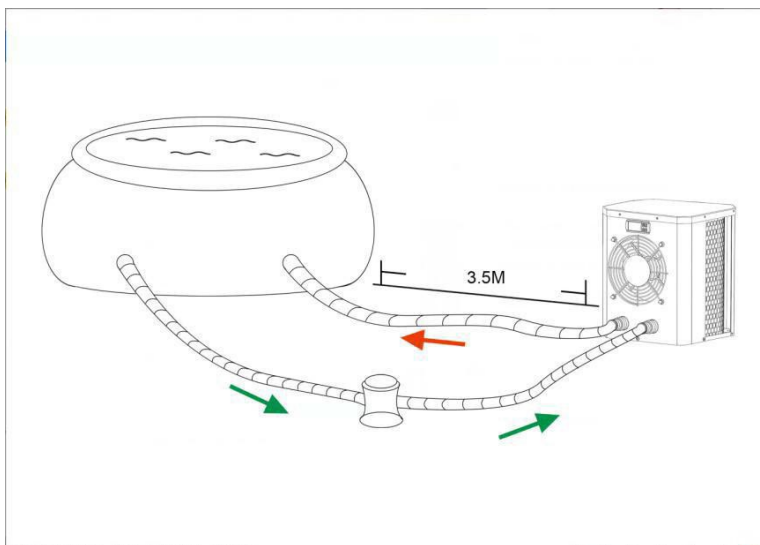
1. Qualsiasi aggiunta di prodotti chimici deve avvenire nella tubatura che si trova **a valle** della pompa di calore .
2. Tenete sempre la pompa di calore in posizione verticale. Se l'unità è stata inclinata, attendete almeno 24 ore prima di alimentare elettricamente la pompa di calore.

### 4.1 Posizionamento della pompa di calore

L'unità funzionerà adeguatamente in qualsiasi auspicata posizione laddove siano presenti i seguenti tre fattori:

- 1. Aria pulita – 2. Elettricità – 3. Filtri per piscina**

In linea di principio, l'unità può essere installata in qualsiasi luogo all'**esterno** sempre e quando vengano mantenute le distanze minime stabilite rispetto agli altri oggetti (cfr. disegno a seguire). Si prega di consultare il proprio installatore per un'installazione in una piscina coperta. Eventuali installazioni in luoghi ventosi non presentano alcun tipo di problema.



**ATTENZIONE:** Mai installare l'unità in una stanza chiusa con un volume d'aria limitato in cui l'aria espulsa dall'unità venga riutilizzata, o in prossimità di siepi che potrebbero bloccare l'entrata dell'aria. Tali posizioni compromettono la fornitura continuativa di aria pulita, avendo come risultanza una ridotta efficienza e impedendo potenzialmente una sufficiente produzione di calore.

### 4.2 Funzionamento iniziale

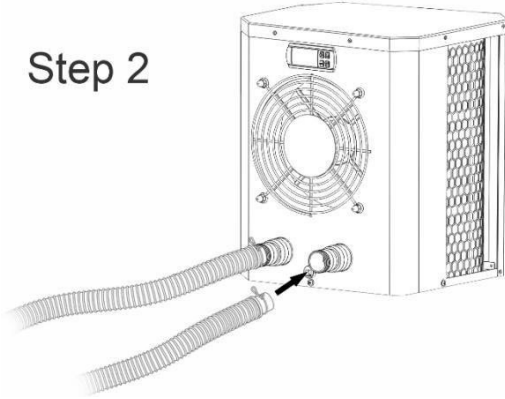
**Per riscaldare l'acqua della piscina (o della vasca idromassaggio), la pompa del filtro deve essere in funzione in modo da far circolare l'acqua attraverso la pompa di calore. Se l'acqua non scorre, la pompa di calore attiverà la protezione contro il surriscaldamento e causerà uno spegnimento.**

### 4.3 Collegamento del tubo

Step 1



Step 2

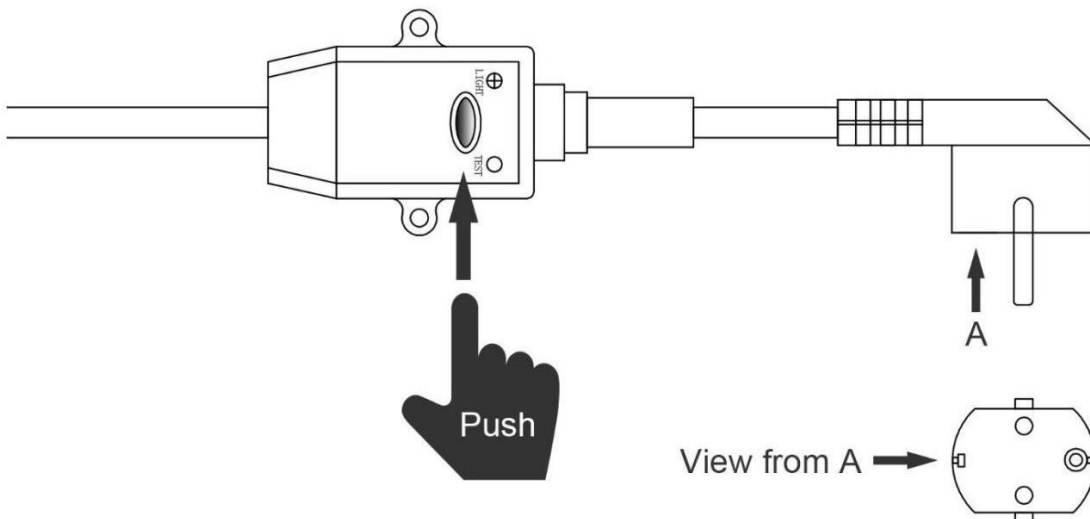


#### Nota:

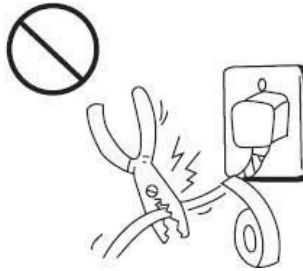
La fabbrica fornisce solo la pompa di calore. Tutti gli altri componenti, compresi i due tubi, devono essere forniti dall'utente o dall'installatore.

### 4.4 Collegamento elettrico

Prima di collegare l'unità, controllare che l'alimentazione sia corretta per il voltaggio per cui è progettata la pompa di calore. La spina RCD è stata fornita con il suo cavo di alimentazione, il che può offrire una protezione elettrica. Il pulsante di test serve per controllare la capacità dell'interruttore.




## **Attenzione:**

<p><b>Accertatevi che la spina sia sicura</b></p> <p>Se la spina non è sicura, può causare folgorazione, surriscaldamento o incendi</p> 	<p><b>Non togliere mai la spina in corso di funzionamento</b></p> <p>Ciò potrebbe essere causa di folgorazione o di un incendio da surriscaldamento.</p> 	<p><b>Non usare mai cavi elettrici danneggiati o non rispondenti alle specifiche</b></p> <p>Ciò potrebbe essere causa di folgorazione o incendio.</p> 
---	--	---

Una volta effettuati e verificati tutti i collegamenti, effettuare la seguente procedura:

1. Accendere la pompa a filtro. Controllare la presenza di eventuali perdite e verificare che l'acqua stia fluendo da e per la piscina.

2. Alimentare la pompa di calore e premete il tasto On/Off  sul pannello di controllo. L'unità si avvierà una volta conclusosi il tempo di ritardo programmato(vedi sotto).

3. Dopo pochi minuti, verificare che l'aria emessa dall'unità sia più fredda.

4. Quando la pompa di filtrazione viene spenta, anche l'unità dovrebbe spegnersi automaticamente.

5. Consentire alla pompa di calore e alla pompa di filtrazione di funzionare 24 ore su 24 fino a che non sia raggiunta la temperatura dell'acqua desiderata(primo riscaldamento). La pompa di calore cesserà di funzionare una volta raggiunta detta temperatura. Una volta avvenuto ciò, si riavvierà automaticamente (sempre e quando la pompa di filtrazione stia funzionando) qualora la temperatura dell'acqua della piscina dovesse scendere di 2 grado al di sotto della temperatura fissata (per esempio, se fissate la temperatura a 28°C, la pompa di calore si arresterà quando la temperatura sarà a 28°C.Mentre si riavvierà quando la temperatura dell'acqua scenderà a 26°C)

Dipendendo dalla temperatura iniziale dell'acqua presente nella piscina e dalla temperatura dell'aria, potrebbero occorrere diversi giorni per riscaldare l'acqua fino alla temperatura desiderata. Una buona copertura della piscina può ridurre significativamente la lunghezza del periodo di tempo richiesto.

**Ritardo di accensione** – La pompa di calore ha un ritardo in avvio incorporato di 3 minuti per evitare una eccessiva sollecitazione del contattore elettrico. L'unità si riavvierà automaticamente una volta trascorso questo ritardo. Anche una breve interruzione di corrente attiverà questo ritardo di tempo ed evitare l'immediato riavvio dell'unità. Ulteriori interruzioni dell'alimentazione durante questo periodo di ritardo di tempo non influiranno sulla durata di 3 minuti del ritardo.

### **4.5 Condensa**

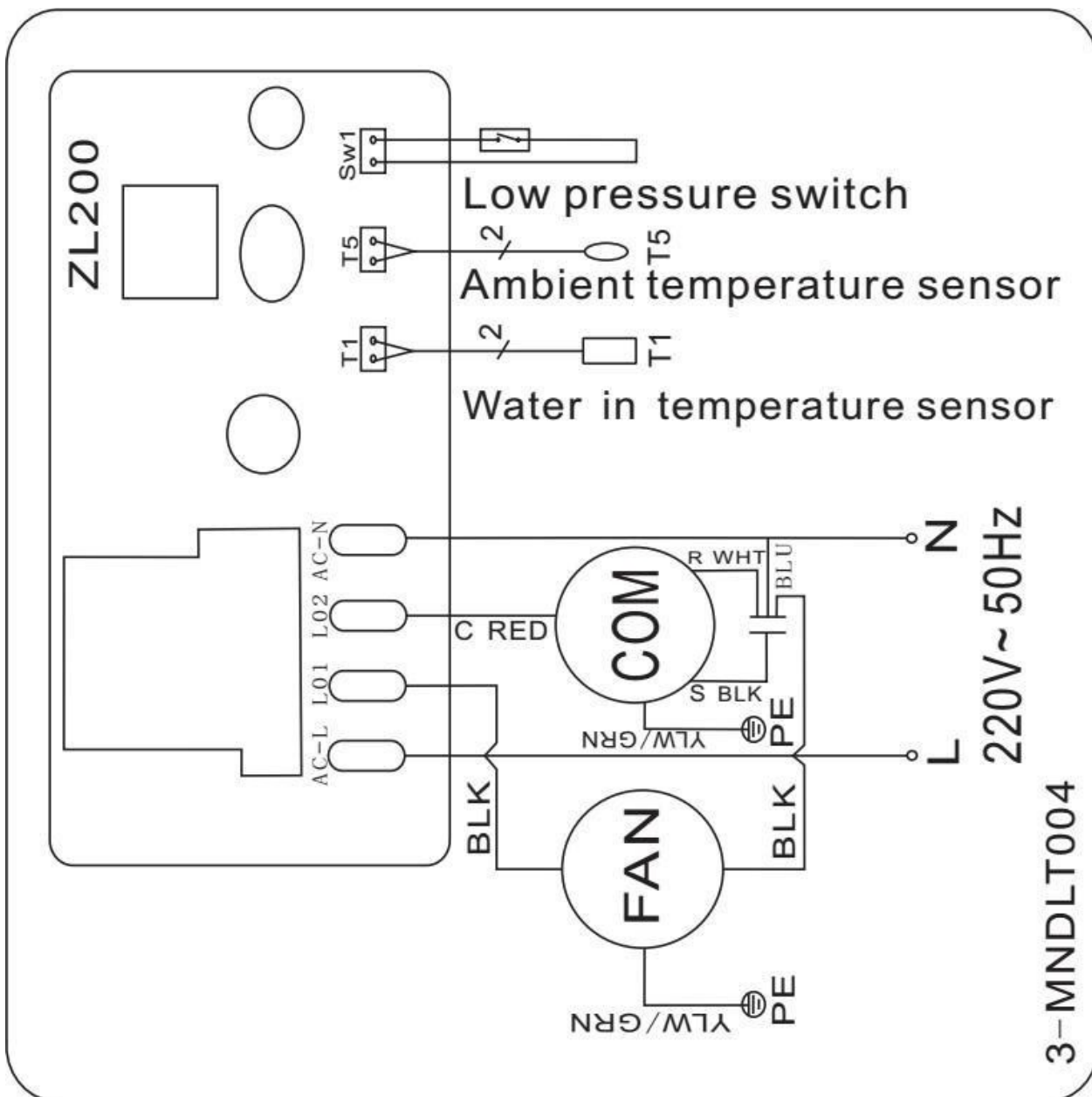
L'aria aspirata all'interno della pompa di calore è raffreddata dal funzionamento della pompa di calore che sta riscaldando l'acqua della piscina, il che può generare condensa sulle alette dell'evaporatore.

In caso di elevata umidità, la quantità di condensa può essere anche di diversi litri all'ora. La condensa verrà drenata dalla base della pompa di calore. Questo fatto viene talora erroneamente considerata una perdita d'acqua.

## 5. Cablaggio elettrico

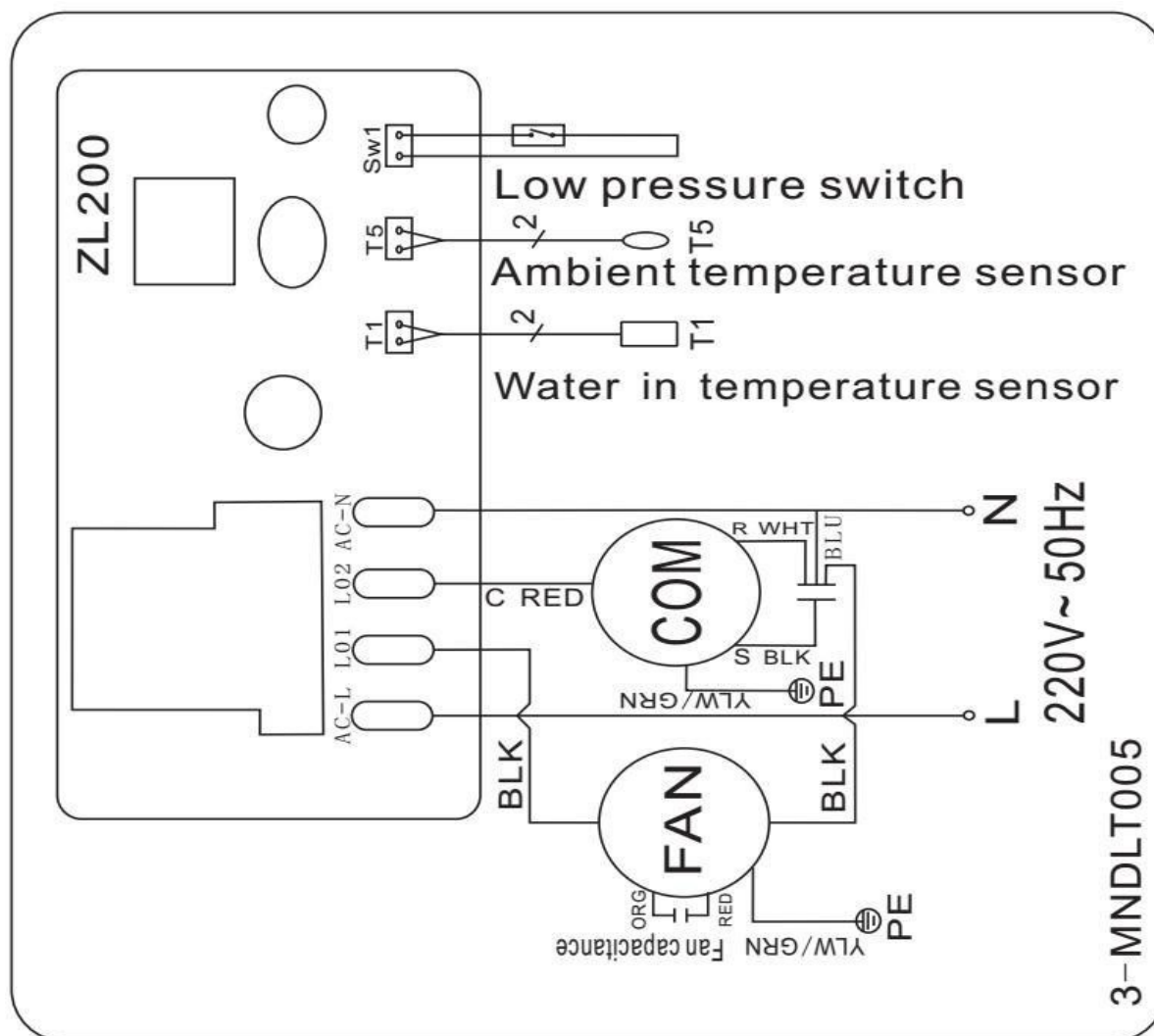
### 5.1 Schema elettrico di una pompa di calore per piscine

Codice; HPM20



## 5.2 Schema elettrico di una pompa di calore per piscine

Codice; HPM30/HPM40



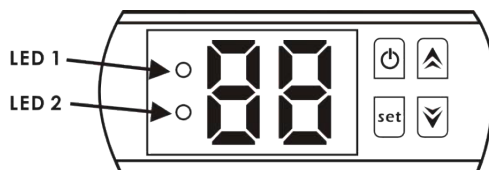
### NOTE:

- (1) Lo schema elettrico di cui sopra è solo per vostro riferimento, si prega di considerarlo in funzione dell'apparecchiatura cui si riferisce lo schema
- (2) La pompa di calore per piscine deve essere collegata al circuito di terra, anche se lo scambiatore dell'unità è isolato elettricamente dal resto dell'unità. La messa a terra dell'unità è obbligo di Legge per proteggervi da corto circuiti interni all'unità. È necessario, inoltre, fissare saldamente la pompa di calore.

**Disconnessione:** Un sistema di disconnessione elettrica deve essere disponibile a vista e facilmente accessibile dall'unità (salvavita, interruttore fusibili). Si tratta di una pratica comune per pompe di calore per uso domestico e commerciale. Evita l'inattesa accensione di apparecchiature non sorvegliate e consente di togliere l'alimentazione mentre l'unità è sottoposta a manutenzione.

## 6. Funzionamento del controller display

### 6.1 I tasti del controller LED wire





**Mentre la pompa è in funzionamento, il display a LED mostra la temperatura dell'acqua in entrata.**

LED 1 è acceso mentre il compressore è in funzionamento .



LED 2 è acceso se l'unità è in errore.



### 6.2 Accensione/spegnimento della pompa di calore

Premere il tasto  per accendere la pompa di calore, il display a LED mostra per 5 secondi la temperatura dell'acqua impostata, poi mostra la temperatura dell'acqua in entrata.

Premere di nuovo il tasto  per spegnere la pompa di calore.



### 6.3 Impostare la temperatura dell'acqua

Premere il tasto  o il tasto  per regolare il set point della temperatura dell'acqua(intervallo:.10—42°C)

Premere  o  per salvare l'impostazione e quindi uscire.

NOTA: la pompa di calore può funzionare solo se il sistema dell'acqua di filtrazione è in funzionamento.

### 6.4 Come controllare i parametri

Premere , entrerà nel controllo dei parametri, Premere  o  scegliere il codice d0 / d1, Premere , mostrerà il valore misurato. Infine, premere  per uscire.

Codice	Parametro
d0	Temperatura ambiente
d1	Temperatura dell'acqua

**Avviso: I dati dei parametri non possono essere impostati dagli utenti finali.**

## 7. Risoluzione dei problemi

### 7.1 Codice di errore sul controller LED

Problema	Codice	Causa	Soluzione
Attendere che la temperatura ambiente raggiunga i 13 °C.	P0	1. La temperatura ambiente è inferiore a 12 °C 2. Errore del controller.	1. Attendere che la temperatura ambiente raggiunga i 13 °C. 2. Sostituire il nuovo controller.
Errore della sonda di temperatura dell'acqua	P1	Sonda di temperatura dell'acqua circuito aperto o corto circuito.	Sostituire la sonda di temperatura dell'acqua
Errore della sonda di temperatura ambiente	P2	Sonda di temperatura ambiente circuito aperto o corto circuito.	Sostituire la sonda di temperatura ambiente
Protezione bassa pressione	EL	1. Interruttore di bassa pressione non funzionante o disconnesso 2 Perdita di gas.	Deve essere riparato da un tecnico specializzato

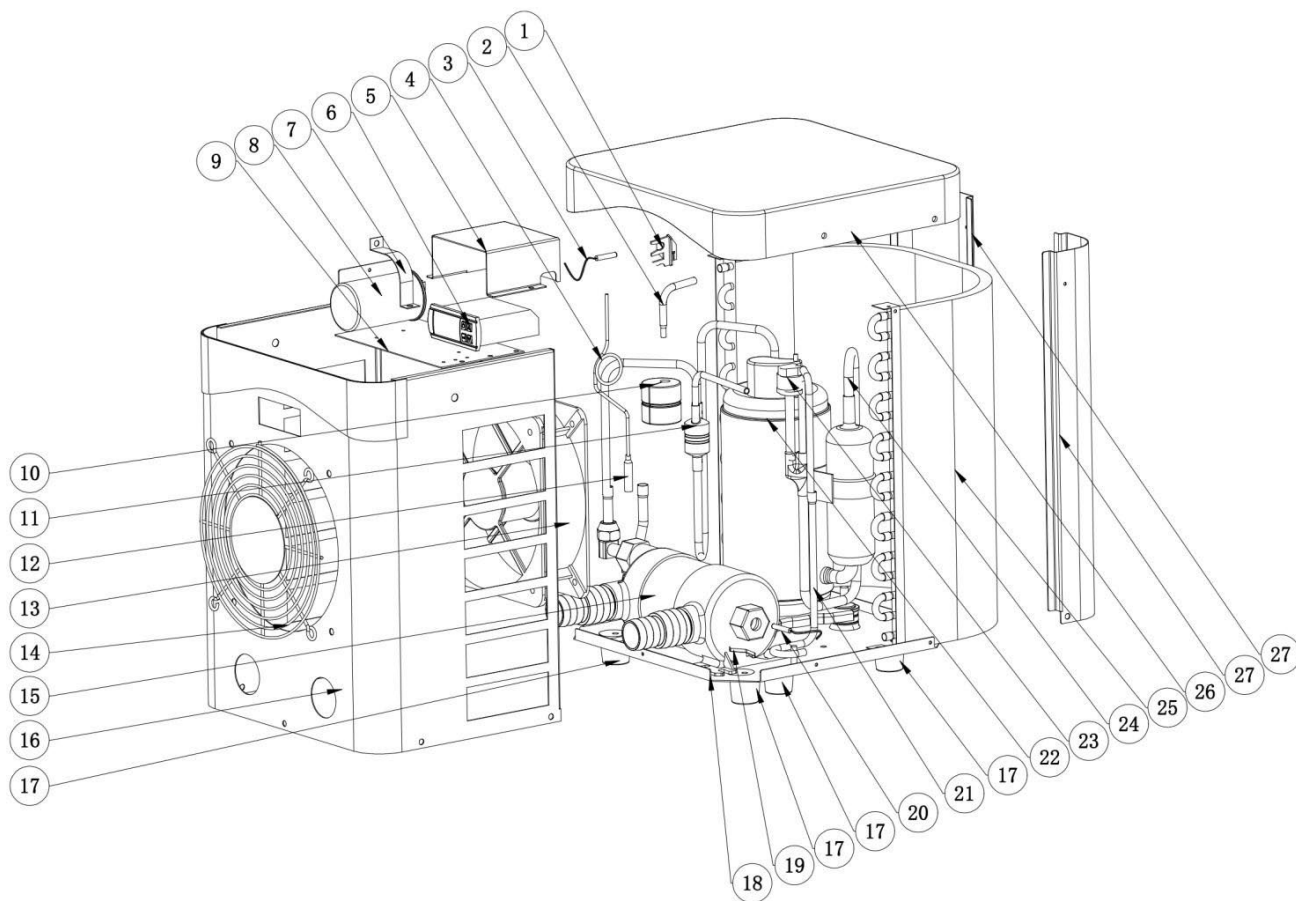


## 7.2 Altri malfunzionamenti e soluzioni (non viene mostrato nulla sul controller LED wire)

Problema	Si Osserva	Causa	Soluzione
Pompa di calore non funzionante	Non viene mostrato nulla sul controller LED wire	Nessuna alimentazione	Verificare il cavo e l'interruttore di circuito se collegato
	Il controller LED wire mostra l'attuale temperatura dell'acqua.	<ol style="list-style-type: none"> <li>1. La temperatura dell'acqua sta raggiungendo la temperatura impostata, pompa di calore in modalità di temperatura costa.</li> <li>2. La pompa di calore ha appena iniziato a funzionare.</li> </ol>	<ol style="list-style-type: none"> <li>1. Verificare l'impostazione della temperatura dell'acqua.</li> <li>2. Avvio della pompa di calore dopo pochi minuti.</li> </ol>
Breve funzionamento	Il controller LED wire mostra l'attuale temperatura dell'acqua e nessun codice errore	<ol style="list-style-type: none"> <li>1. Ventilatore NON funzionante.</li> <li>2. La ventilazione dell'aria non è sufficiente.</li> <li>3. Il refrigerante non è sufficiente.</li> </ol>	<ol style="list-style-type: none"> <li>1. Verificare le connessioni dei cavi tra motore e ventilatore, se necessario, sostituire.</li> <li>2. Verificare la posizione dell'unità pompa di calore, ed eliminare tutti gli ostacoli che impediscono una buona circolazione dell'aria.</li> <li>3. Sostituire o riparare l'unità pompa di calore.</li> </ol>
Macchie di acqua	Ristagno d'acqua sulla pompa di calore	<ol style="list-style-type: none"> <li>1. Cementificazione.</li> <li>2. Perdita d'acqua.</li> </ol>	<ol style="list-style-type: none"> <li>1. Nessuna azione.</li> <li>2. Controllare lo scambiatore di calore in titanio attentamente per trovare eventuali difetti.</li> </ol>

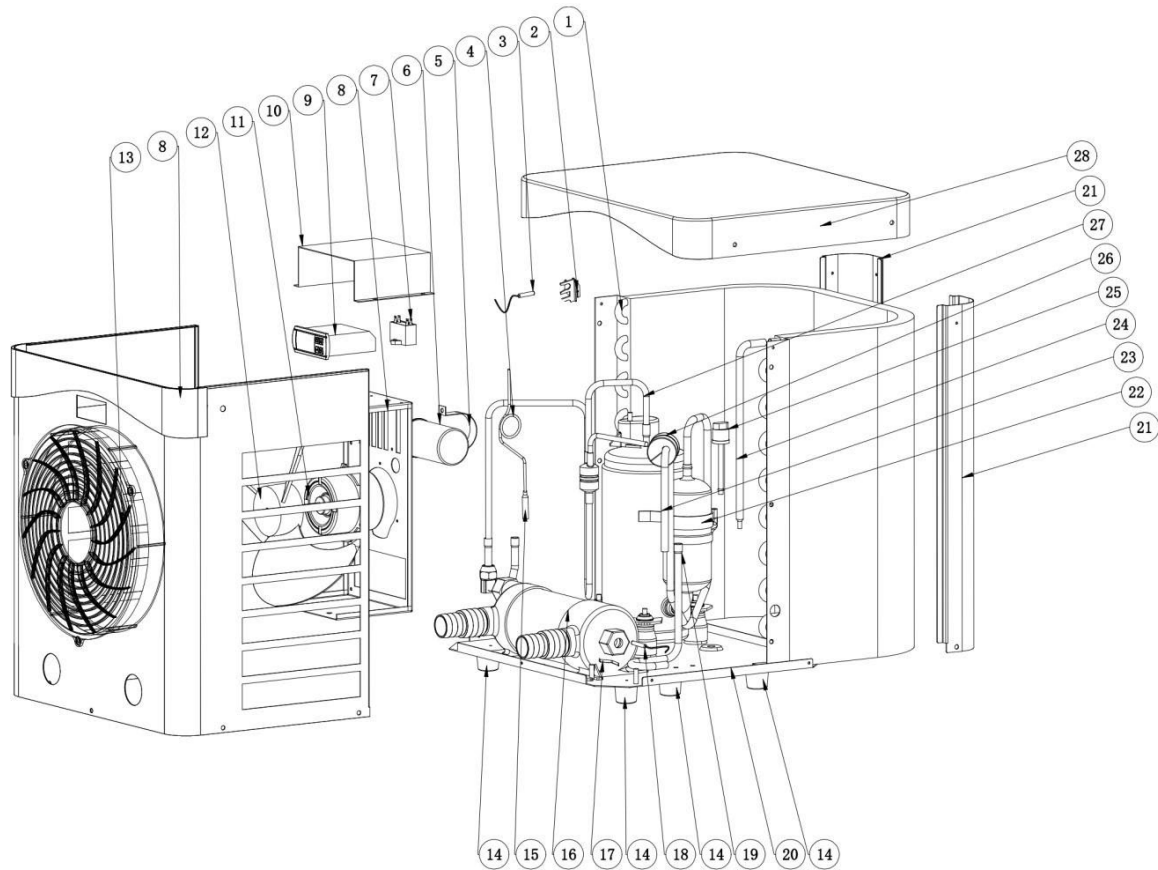
## 8. Esploso

Unità: HPM20



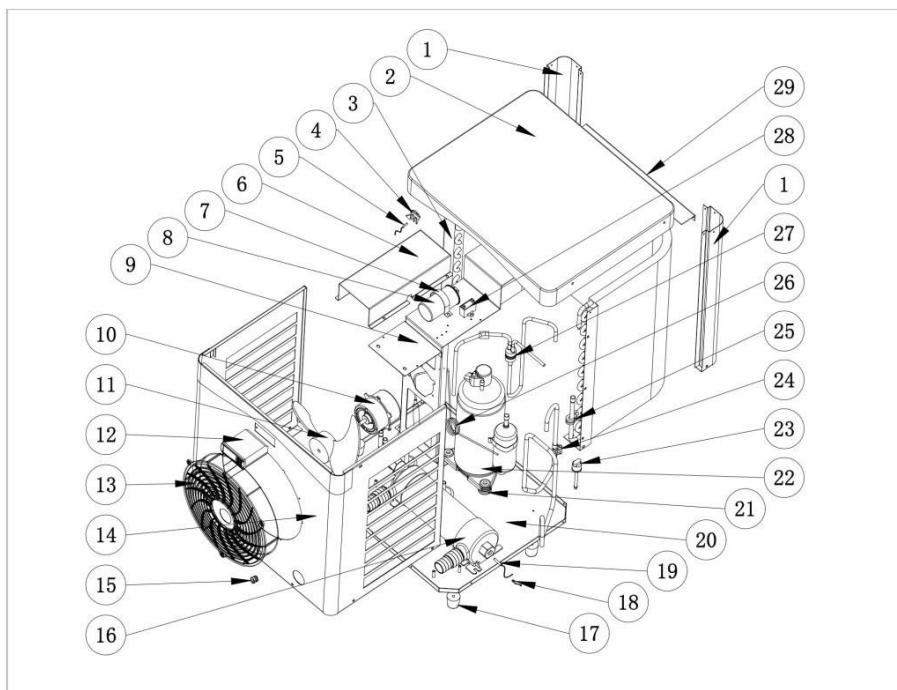
No	Parte di ricambio	HPM20	No	Parte di ricambio	HPM20
1	Clip per sensore di temperatura	102040891	15	Scambiatore in titanio	102040891
2	Tubo in rame	108680047	16	Pannello frontale	108680047
3	Sonda temp. Ambiente T5	136020168	17	Piedini in gomma	136020168
4	Capillare	108680045	18	Base	108680045
5	Scatola elettrica	108010025	19	Clip	108010025
6	Controller	117110068	20	Sonda temperatura acqua T1	117110068
7	Clip capacitore del compressore	113050123	21	Tubo di raccolta gas	113050123
8	Capacitore del compressore	101000233	22	Compressore	101000233
9	Placca superiore del motoventilatore	116000091	23	Interruttore di bassa pressione	116000091
10	Martello in gomma antiurto	113010300	24	Tubo esausto	113010300
11	Tubo di ritorno gas	103000236	25	Evaporatore	103000236
12	Tubo in rame	133400001	26	Copertura superiore	133400001
13	Gruppo motoventilatore	108680046	27	Colonna	108680046
14	Griglia frontale	108680017			

Unità: HPM30



No.	Parte di ricambio	HPM30	No.	Parte di ricambio	HPM30
1	Evaporatore	103000237	15	Tubo in rame	113100027
2	Clip per sensore di temperatura	133020010	16	Scambiatore in titanio	102040900
3	Sonda temp. Ambiente T5	117110079	17	Clip	108010025
4	Capillare	109000038	18	Sonda temperatura acqua T1	117110068
5	Clip capacitore compressore	108010006	19	Tubo di raccolta gas	113050125
6	Capacitore compressore	111000011	20	Base	108690033
7	Capacitore ventola	111000034	21	Colonna	108690048
8	Gruppo pannello frontale	108690047	22	Compressore	101000232
9	Controller	117020189	23	Tubatura ritorno gas	113020467
10	Scatola elettrica	108690015	24	Tubo in rame	113420129
11	Motoventilatore	112000054	25	Interruttore bassa pressione	116000091
12	Pala ventola	132000024	26	Martello in gomma antiurto	136020026
13	Griglia frontale	133020052	27	Tubo esausto	113010351
14	Piedini in gomma	136020168	28	Copertura superiore	133330004

Unità: HPM40



No.	Parte di ricambio	HPM40	No.	Parte di ricambio	HPM40
1	Colonna	108950009	16	Scambiatore in titanio	117020363
2	Copertura superiore	133440001	17	Piedini in gomma	136020168
3	Evaporatore	103000343	18	Clip sonda di temperatura	108010025
4	Clip sonda temp. ambiente	133020010	19	Sonda temperatura acquaT1	117110068
5	Sonda temperatura acquaT1	117110068	20	Base	108950007
6	Scatola elettrica	108950006	21	Piedini in gomma del compressore	101000241
7	Clip capacitore compressore	108010006	22	Compressore	101000241
8	Capacitore compressore	111000012	23	Interruttore bassa pressione	116000091
9	Supporto motoventilatore	108950010	24	Tubatura ritorno gas	113020602
10	Motoventilatore	112000079	25	Bloccogomma	136020018
11	Pala ventola	132000024	26	Capillare	109000038
12	Controller	117020302	27	Tubo esausto	113020624
13	Griglia frontale	133020052	28	Capacitore ventola	111000034
14	Gruppo pannello frontale	108950008	29	Piastra supporto staffa	108950011
15	Cavo di alimentazione	142000126			

## 9. Manutenzione

(1) Occorre controllare con regolarità il sistema di erogazione dell'acqua per evitare l'entrata di aria nel sistema e la determinazione di un basso flusso dell'acqua , in quanto ciò ridurrebbe le performance e l'affidabilità dell'unità pompa di calore.

(2) Occorre pulire con regolarità le piscine e i sistemi di filtraggio per evitare di causare danni all'unità.

(3) Si prega di svuotare sempre l'acqua della pompa di calore durante il periodo invernale o quando la temperatura ambiente scende al di sotto di 0 °C , altrimenti lo scambiatore in Titanio verrà danneggiato a causa del congelamento, in tal caso la garanzia verrà persa.

(4) Occorre controllare i livelli dell'acqua prima di avviare l'unità dopo una lunga interruzione nell'utilizzo.

(5) Quando l'unità è in funzione, dalla base della medesima verrà scaricata dell'acqua di condensa. Ciò è del tutto normale.

## 10. Accessori



## IT - CERTIFICATO DI GARANZIA

### 1 ASPETTI GENERALI

- Ai sensi delle seguenti disposizioni, il venditore garantisce che il prodotto corrispondente a questa garanzia ("il Prodotto") non presenta alcun difetto di conformità al momento della sua consegna.
- Il Periodo di Garanzia per il Prodotto è di due (2) anni a decorrere dal momento della consegna dello stesso all'acquirente.
- Nel caso in cui si venisse a produrre un difetto di conformità del Prodotto e l'acquirente lo notificasse al venditore entro il Periodo di Garanzia, il venditore dovrà riparare o sostituire il Prodotto a sue spese nel luogo che consideri opportuno, salvo che ciò risulti impossibile o sproporzionato.
- Qualora non fosse possibile riparare o sostituire il Prodotto, l'acquirente potrà richiedere una riduzione proporzionale del prezzo o, nel caso in cui il difetto di conformità fosse sufficientemente importante, lo scioglimento del contratto di vendita.
- Le parti sostituite o riparate in virtù della presente garanzia non rappresenteranno un prolungamento della scadenza della garanzia del Prodotto originale, quantunque disporranno di una loro propria garanzia.
- Affinché la presente possa essere valida, l'acquirente dovrà attestare la data di acquisto e consegna del Prodotto.
- Una volta trascorsi più di sei mesi dalla consegna del Prodotto all'acquirente, qualora quest'ultimo dichiarasse un difetto di conformità del medesimo, l'acquirente dovrà attestare l'origine e l'esistenza del difetto dichiarato.
- Il presente Certificato di Garanzia non limita o preclude i diritti che corrispondano ai consumatori in virtù della normativa nazionale di carattere imperativo.

### 2 CONDIZIONI PARTICOLARI

- 2.1 La presente garanzia copre i prodotti ai quali si riferisce questo manuale.
- 2.2 Il presente Certificato di Garanzia avrà vigore unicamente nell'ambito dei paesi dell'Unione Europea.
- 2.3 Per la validità di questa garanzia, l'acquirente dovrà rispettare in maniera rigorosa le indicazioni del Fabbricante indicate nella documentazione che viene allegata al Prodotto, quando questa risulti applicabile secondo la gamma e il modello del Prodotto.
- 2.4 Nel caso in cui venga specificato un calendario per la sostituzione, la manutenzione o la pulizia di determinati pezzi o componenti del Prodotto, la garanzia sarà valida solo quando qualora detto calendario sia stato rispettato in maniera corretta.

### 3 LIMITAZIONI

- La presente garanzia sarà valida unicamente per le vendite realizzate a consumatori, laddove per "consumatori" s'intende quella persona che acquista il Prodotto con scopi che non rientrano nell'ambito della sua attività professionale.
- Non viene concessa alcuna garanzia nei riguardi del normale consumo per uso del prodotto. In merito ai pezzi, ai componenti e/o ai materiali fusibili o consumabili come pile, lampadine, ecc., ove sussista si applicherà quanto disposto nella documentazione che è allegata al Prodotto.
- La garanzia non copre i casi in cui il Prodotto: (I) sia stato oggetto di un uso non corretto; (II) sia stato riparato, manipolato o la manutenzione sia stata effettuata da una persona non autorizzata o (III) sia stato riparato o la manutenzione sia stata effettuata con pezzi non originali. Qualora il difetto di conformità del Prodotto sia conseguenza di una installazione o messa in marcia non corretta, la presente garanzia risponderà solo nel caso in cui la suddetta installazione o messa in marcia sia compresa nel contratto di compravendita del Prodotto e sia stata realizzata dal venditore o sotto la sua responsabilità.

## WAARSCHUWINGEN

	Dit symbool geeft aan dat er informatie beschikbaar is, zoals de Bedieningshandleiding of de Installatiehandleiding.		Dit symbool geeft aan dat er in dit apparaat R32 wordt gebruikt, een koelmiddel met lage verbrandingsnelheid.
	Dit symbool geeft aan dat de Gebruikershandleiding vooraf zorgvuldig moet worden gelezen.		Dit symbool geeft aan dat de persoonlijke servicedienst deze apparatuur moet behandelen zoals aangegeven in de Installatiehandleiding.

### ALGEMENE WAARSCHUWINGEN

- Het negeren van de waarschuwingen kan leiden tot schade aan de zwembadinstallatie of tot ernstig letsel, en kan zelfs de dood tot gevolg hebben.
- Alleen een vakman op het gebied van de betreffende technische vakgebieden (elektriciteit, hydraulica of koeltechnieken) is bevoegd onderhoud of reparaties uit te voeren aan het apparaat. De gekwalificeerde technicus die werkzaamheden op het apparaat uitvoert, moet persoonlijke beschermingsmiddelen gebruiken / dragen (zoals een veiligheidsbril, handschoenen, etc...) om het risico op verwondingen te voorkomen tijdens werkzaamheden op het apparaat.
- Controleer vóór het uitvoeren van ongeacht welke werkzaamheden of de stroom uitgeschakeld is en de toegang tot het apparaat vergrendeld is.
- Dit apparaat is niet bestemd voor een gebruik door personen (inclusief kinderen) waarvan de lichamelijke, zintuiglijke of geestelijke vermogens verminderd zijn of door personen zonder enige ervaring en kennis, tenzij:
  - zij via een voor hun veiligheid verantwoordelijke persoon onder toezicht staan of van tevoren instructies hebben ontvangen betreffende het gebruik van het apparaat;
  - en zij de mogelijke gevaren begrijpen.
- Kinderen moeten onder toezicht staan, om te voorkomen dat zij niet met het apparaat spelen.
- Het apparaat moet worden geïnstalleerd volgens de instructies van de fabrikant en met respect voor de heersende lokale en nationale normen. De installateur is verantwoordelijk voor het installeren van het apparaat en de naleving van de nationale regelgeving met betrekking tot de installatie. De fabrikant kan in geen geval aansprakelijk worden gesteld wanneer de ter plaatse geldende installatienormen niet worden gerespecteerd.
- Voor alle andere tussenkomsten dan het eenvoudig gebruikersonderhoud zoals beschreven in deze handleiding, moet het product worden onderhouden door een vakman.
- Elke slechte installatie en/of verkeerd gebruik kan leiden tot ernstige materiële schade of lichamelijke letsels (die tot de dood kunnen leiden).
- Raadpleeg de garantievoorwaarden voor de gegevens van de toegelaten evenwichtsvoorwaarden van het water voor de werking van het apparaat.
- Elke deactivering, verwijdering of ontwijking van een van de ingebouwde beveiligingselementen in het apparaat doet automatisch de garantie vervallen, evenals het gebruik van vervangende onderdelen afkomstig van een niet-geautoriseerde derde fabrikant.
- Spuit geen insecticide of andere chemische producten (al dan niet brandbaar) in de richting van het apparaat, dit kan de behuizing beschadigen en brand veroorzaken.
- Raak de ventilator en de bewegende delen niet aan en houd voorwerpen en uw vingers uit de buurt van de bewegende delen tijdens de werking van het apparaat. De bewegende delen kunnen ernstig en zelfs

dodelijk letsel tot gevolg hebben.

#### **WAARSCHUWINGEN MET BETREKKING TOT ELEKTRISCHE APPARATEN**

- De elektrische voeding van het apparaat moet worden beschermd door een speciale aardlekbeveiliging (RCD) van 30 mA conform de normen van het land waar het geïnstalleerd wordt.
- Een aangepaste scheidingsmethode die voldoet aan alle lokale en nationale regelgeving voor overspanning van categorie III, die alle polen van het voedingscircuit snijdt, moet worden geïnstalleerd in het voedingscircuit van het apparaat. Deze scheidingsmethode wordt niet meegeleverd met het apparaat en moet door de installateur worden geleverd.
- Controleer vóór alle werkzaamheden dat:
  - De spanning, aangegeven op het kenplaatje van het apparaat overeenkomt met deze van het net,
  - het voedingsnet geschikt is voor het gebruik van dit apparaat, en beschikt over een stopcontact met aarding,
  - of de stekker (indien aanwezig) is aangepast aan het stopcontact.
- Een apparaat in bedrijf niet loskoppelen en opnieuw aansluiten.
- Niet aan de voedingskabel trekken om deze los te koppelen.
- Indien de voedingskabel beschadigd raakt, moet deze worden vervangen door de fabrikant, zijn servicedienst of een gekwalificeerd technicus, om de veiligheid te garanderen.
- Geen onderhoud of een servicebeurt uitvoeren aan het apparaat met vochtige handen of wanneer het apparaat vochtig is.
- Alvorens het apparaat aan te sluiten op de voedingsbron verifiëren of het aansluitblok of het stopcontact waar het apparaat op zal worden aangesloten, in goede staat verkeert en niet beschadigd of verroest is.
- Haal bij onweerachtig weer de stekker van het apparaat uit het stopcontact om te voorkomen dat dit wordt beschadigd door de bliksem.
- Dompel het apparaat niet onder in water modder ; houd de stroomonderbreker uit de buurt van water

#### **WAARSCHUWINGEN VOOR APPARATEN DIE EEN KOELMIDDELEN BEVATTEN**

- Het R32-koelmiddel is een koelmiddel van categorie A2L, dat wordt beschouwd als potentieel ontvlambaar.
- Het fluïdum R32 niet afblazen in de atmosfeer. Deze vloeistof is een gefluoreerd broeikasgas, dat valt onder het Protocol van Kyoto, met een potentiële bijdrage aan de globale opwarming (GWP) = 675 voor R32 (zie Europese reglementering EG 517/2014).
- Het apparaat moet worden opgeslagen in een goed verluchte ruimte uit de buurt van bronnen van vlammen.
- Installeer het apparaat buiten. Installeer het apparaat niet binnenshuis of in een afgesloten en niet-geventileerde ruimte buiten.
- Probeer niet op andere wijze dan deze aanbevolen door de fabrikant het ontdooi- of reinigingsproces te versnellen.
- Het apparaat moet worden opgeslagen in een ruimte zonder vonkenbron die constant in werking is (bijv. een gasapparaat of elektrische verwarming in werking).
  - Niet doorboren of verbranden.
  - Merk op dat het R32-koelmiddel een geur kan verspreiden.
- Om te voldoen aan de relevante milieu- en installatienormen, in het bijzonder aan decreet nr. 2015- 1790 en / of de EU-reglementering 517/2014, moet minstens eenmaal per jaar een lektest worden uitgevoerd op het koelcircuit. Deze bewerking moet worden uitgevoerd door een gecertificeerde specialist in koelsystemen.
- Bewaar de beeldschermregelaar in een droge ruimte om te voorkomen dat de beeldschermregelaar door vocht wordt beschadigd



## **ONDERHOUD: WAARSCHUWINGEN VOOR APPARATEN DIE R32-KOELMIDDELEN BEVATTEN**

- Tijdens de onderhoudsfase van het apparaat, dienen de samenstelling en de staat van de warmtegeleidende vloeistof gecontroleerd te worden en dienen eventuele sporen van koelvloeistof opgespoord te worden.
- Tijdens de jaarlijkse controle dient in overeenstemming met de van kracht zijnde wetgeving de afdichting van het apparaat, de juiste aansluiting van de hoge en lage drukregelaars op het koelcircuit en de onderbreking van het elektrisch circuit in geval van activering gecontroleerd te worden.
- Tijdens de onderhoudsfase dient men te controleren of er geen sporen zijn van corrosie of olievlekken rond de koelcomponenten.
- De buis niet solderen of lassen als er koelmiddel in de machine zit. Laad het gas niet op in een afgesloten ruimte.

### ***Controle van de zone***

- Bij werkzaamheden aan systemen met ontvlambare koelmiddelen zijn veiligheidscontroles noodzakelijk om het risico op vonkvorming te reduceren.

### ***Werkprocedure***

- De werkzaamheden moeten worden uitgevoerd met een controleprocedure om het risico op het vrijkomen van ontvlambaar gas of damp bij de werkzaamheden te reduceren.
- Voorafgaand aan welke werkzaamheden ook aan het koelcircuit, dient men het apparaat verplicht uit te schakelen en enkele minuten te wachten alvorens temperatuur- of drukmeters aan te brengen, omdat bepaalde onderdelen, zoals de compressor en de leidingen, temperaturen van meer dan 100°C kunnen bereiken en de hoge drukken ernstige brandwonden kunnen veroorzaken.

### ***Algemene werkzone***

- Alle onderhoudspersoneel en andere personen die werken in de directe omgeving moeten worden geïnformeerd over de uit te voeren werkzaamheden. Werkzaamheden in besloten ruimtes moet worden vermeden.

### ***Controle van de aanwezigheid van koelmiddel***

- De zone moet vóór en tijdens de werkzaamheden met behulp een geschikte koelmiddeldetector worden gecontroleerd, zodat de technicus geïnformeerd wordt over de mogelijk toxiciteit en ontvlambaarheid van de lucht. Verifieer dat de gebruikte koelmiddeldetector geschikt is voor het gebruik met de betreffende koelmiddelen, d.w.z. dat deze geen vonken kan veroorzaken, correct geïsoleerd en perfect veilig is.

### ***Aanwezigheid van een brandblusser***

- Als werkzaamheden bij hoge temperatuur op het koelapparaat of aanliggende onderdelen moeten worden uitgevoerd, moet een geschikte brandblusser zich binnen handbereik bevinden. Plaats een poeder- of CO<sub>2</sub>-brandblusser in de buurt van de werkzone.

### ***Afwezigheid van een ontstekingsbron***

- Er mag geen enkele vonkbron worden gebruikt bij werkzaamheden aan een koelsysteem waarbij diens leidingen worden blootgelegd. Alle mogelijke bronnen van vonken, inclusief een sigaret, moeten zich op voldoende afstand bevinden van de installatiezone, reparatie, verwijdering of eliminatie wanneer koelmiddel kan vrijkomen in de omgeving. Voorafgaand aan de werkzaamheden moet de zone rond de apparatuur worden bekeken om te verzekeren dat er geen brandgevaar of gevaar voor vonken aanwezig is. Bordjes met "Niet roken" moeten worden aangebracht.

### ***Ventilatie van de zone***

- U moet zorgen dat de zone voldoende open en verlucht is voordat u toegang heeft tot de installatie. Tijdens het onderhoud van het apparaat moet een correcte verluchting worden aangehouden voor een veilige verspreiding van accidenteel in de lucht vrijgekomen koelmiddel.

### ***Controle van de koelapparatuur***

- De aanbevelingen voor onderhoud en service van de fabrikant moeten altijd worden opgevolgd. Gebruik bij het vervangen van elektrische componenten enkel componenten die van hetzelfde type en van

de dezelfde kwaliteit zijn, zoals aanbevolen / goedgekeurd door de fabrikant. Raadpleeg bij twijfel de technische service van de fabrikant voor assistentie.

- De volgende controles moeten worden uitgevoerd op installaties die gebruik maken van ontvlambare koelmiddelen:

- de markeringen op de apparatuur moeten zichtbaar en leesbaar blijven, alle nietleesbare markeringen en signaleringen moeten worden hersteld;
- de koelmiddelleidingen of -componenten moeten zodanig worden geïnstalleerd dat het onwaarschijnlijk is dat ze worden blootgesteld aan substanties die koelmiddel bevattende componenten kunnen aantasten, behalve indien deze componenten zijn gemaakt van materialen die normaal bestand zijn tegen corrosie of daartegen afdoende zijn beschermd.

#### **Controle van elektrische componenten**

- De reparatie en het onderhoud van elektrische componenten moet in eerste instantie veiligheidscontroles en inspectieprocedures van de componenten omvatten. Als er een storing optreedt die de veiligheid in gevaar kan brengen, mag het circuit niet onder spanning worden gesteld zolang deze storing niet volledig is verholpen. Als de storing niet onmiddellijk kan worden verholpen, en de werkzaamheden moeten worden voortgezet, moet een geschikte tijdelijke oplossing worden gevonden. De eigenaar van de apparatuur moet hierover worden geïnformeerd zodat alle betrokken personen op de hoogte worden gesteld.
- De reparatie en het onderhoud van elektrische componenten moet in eerste instantie de volgende veiligheidscontroles omvatten:
  - de condensatoren moeten worden ontladen: dit moet gebeuren op veilige wijzen zonder vonkvorming te veroorzaken;
  - er mag geen enkele elektrische component of elektrische bedrading blootgesteld worden tijdens het laden, het herstellen of het aflaten van het systeem;
  - de aardverbinding moet continu aanwezig zijn.

#### **Reparaties van geïsoleerde componenten**

- Bij reparaties aan geïsoleerde componenten moeten alle elektrische voedingen worden ontkoppeld van de apparatuur waarop werkzaamheden worden uitgevoerd, en dit vóór het verwijderen van de isolerende kappen. Als de apparatuur toch om dwingende reden tijdens de reparaties elektrisch moet worden gevoed, moet een continu werkend lekdetectieapparaat worden aangebracht op het meest kritieke punt om een mogelijk gevaarlijke situatie te signaleren.
- Er moet bijzondere aandacht worden besteed aan de volgende punten om ervoor te zorgen dat bij het werken aan elektrische componenten de behuizing niet wordt gewijzigd wat het beschermingsniveau zou kunnen aantasten. Dit moet het volgende omvatten: beschadigde kabels, een te groot aantal verbindingen, klemmen die niet voldoen aan de oorspronkelijke specificaties, een niet-correcte installatie van de kabelwartels, etc.
- Verzeker u ervan dat het apparaat correct bevestigd is.
- Controleer of de dichtingen of isolatiematerialen niet zijn aangetast zodanig dat ze niet langer het binnendringen van een explosieve atmosfeer in het circuit zouden verhinderen. De reserve-onderdelen moeten voldoen aan de specificaties van de fabrikant.

#### **Reparatie van intrinsiek veilige componenten**

- Indien een permanente elektrische inductie- of capaciteitsbelasting wordt aangebracht, moet worden gecontroleerd of deze niet de toegestane spanning en stroom van de apparatuur overschrijdt tijdens het gebruik.
- Normaal veilige componenten zijn de enige types waarbij het mogelijk is om te werken in de aanwezigheid van een ontvlambare atmosfeer wanneer deze worden gevoed. Het testapparaat moet tot de correcte klasse behoren.
- Vervang componenten alleen door onderdelen die door de fabrikant zijn gespecificeerd. Andere onderdelen kunnen het koelmiddel ontsteken bij een lek.

#### **Bekabeling**

- Controleer of de bedrading geen slijtage, corrosie, overmatige druk, trillingen, schade door scherperanden of andere nadelige omgevingsinvloeden vertonen. De controle moet ook rekening houden met de

effecten van veroudering of continue trillingen veroorzaakt door bronnen zoals compressoren of ventilatoren.

#### ***Detectie van brandbaar koelmiddel***

- Potentiële bronnen van vonken mogen nooit worden gebruikt voor het opsporen of detecteren van koelmiddellekken. Een halidelamp (of een andere detector met een open vlam) mag niet worden gebruikt.
- De volgende lekdetectiemethoden worden aanvaardbaar geacht voor alle koelsystemen.
- Elektronische lekdetectoren kunnen worden gebruikt om koelmiddellekken te detecteren, maar bij brandbaar koelmiddel is de gevoeligheid mogelijk niet voldoende of moet de kalibratie opnieuw worden uitgevoerd. (De detectieapparatuur moet worden gekalibreerd op een plaats waar geen koelmiddel aanwezig is). Verzeker u ervan dat de detector geen potentiële vonkbron is en aangepast is aan het gebruikte koelmiddel. De lekdetectieapparatuur moet worden ingesteld op een percentage van het koelmiddel-LFL en moet worden gekalibreerd voor het gebruikte koelmiddel. Het juiste percentage gas (maximaal 25%) moet worden bevestigd.
- Lekdetectievloeistoffen zijn ook geschikt voor het gebruik met de meeste koelmiddelen, het gebruik van chloorhoudende detergent daarentegen moet worden vermeden omdat dit kan reageren met het koelmiddel en de koperen leidingen kan aantasten.
- Als er een vermoeden van een lek is, moeten alle open vlammen worden verwijderd / gedoofd.
- Bij het detecteren van een koelmiddellek en als solderen noodzakelijk is, moet al het koelmiddel uit het systeem worden afgelaten of geïsoleerd (met afsluitkleppen) in een deel van het systeem dat verwijderd is van het lek.

#### ***Verwijdering en afvoeren***

- Bij toegang tot het koelmiddelcircuit om reparaties uit te voeren, of om andere redenen, moeten conventionele procedures worden gebruikt. Bij ontvlambare koelmiddelen is het echter essentieel om de aanbevelingen op te volgen omdat rekening moet worden gehouden met de ontvlambaarheid. De volgende procedure moet worden gevolgd:
  - verwijder het koelmiddel;
  - laat het circuit af met een inert gas (optioneel voor A2L);
  - afvoeren (optioneel voor A2L);
  - spoelen met een inert gas (optioneel voor A2L);
  - open het circuit door afzagen of lossolderen.
- De koelmiddelvulling moet worden gerecupereerd in geschikte recuperatiecilinders. Bij apparatuur die andere ontvlambare koelmiddelen bevatten dan A2L-koelmiddelen moet het systeem worden gespoeld met stikstofgas zonder zuurstof om de apparatuur geschikt te maken voor brandbare koelmiddelen. Het kan noodzakelijk zijn om dit proces meerdere keren te herhalen. Perslucht of zuurstofgas mogen niet worden gebruikt om koelsystemen te spoelen.

#### ***Vulprocedure***

- Controleer dat de vacuümpompuitlaat zich niet in de buurt bevindt van een mogelijke bron van vonken en dat er verluchting is.
- Naast de conventionele vulprocedures moet aan de volgende eisen worden voldaan.
  - Verzeker dat er bij het gebruik van een vulsysteem geen verontreiniging mogelijk is tussen verschillende koelmiddelen. De slangen of leidingen moeten zo kort mogelijk zijn om de hoeveelheid koelmiddel die ze bevatten zo beperkt mogelijk te houden.
  - De cilinders moeten in de juiste positie worden gehouden conform de instructies.
  - Zorg ervoor dat het koelsysteem geaard is voordat het vullen met koelmiddel gebeurt.
  - Label het systeem na het vullen (indien dit nog niet zou zijn gedaan).
  - Let er vooral op het koelsysteem niet te overvullen.
- Vooraleer het systeem opnieuw te vullen, moet een druktest worden uitgevoerd met het juiste spoelgas. Het systeem moet worden gecontroleerd op lekkage na het vullen en voor de indienststelling. Voer een opvolglektest uit voordat de locatie wordt verlaten.

#### ***Ontmanteling***

- Vooraleer een ontmantelingsprocedure uit te voeren, moet de technicus goed bekend zijn met de

apparatuur en diens kenmerken. Wij bevelen sterk aan om met zorg alle koelmiddel volledig te recuperen. Voorafgaand aan het uitvoeren van deze taak moet een monster van de olie en het koelmiddel worden genomen voor het geval van een hergebruik van het gerecupereerde koelmiddel. Het is noodzakelijk om de aanwezigheid van een stroomvoorziening te controleren vóór het uitvoeren van deze taak.

1. Maak u vertrouwd met de apparatuur en diens werking.
2. Isoleer het systeem elektrisch.
3. Voordat u de procedure start, moet u ervoor zorgen dat:
  - er een mechanische behandelingssysteem aanwezig is als de koelmiddelcilinders moeten worden gemanipuleerd;
  - alle persoonlijke beschermingsmiddelen beschikbaar zijn en correct worden gebruikt;
  - het recuperatieproces voortdurend wordt opgevolgd door een bevoegd persoon;
  - de apparatuur en de recuperatiecilinders voldoen aan de relevante normen.
4. Laat het koelsysteem af, indien mogelijk.
5. Als er geen vacuüm kan worden gecreëerd, breng dan een opvangsysteem aan zodat het koelmiddel kan worden verwijderd vanaf verschillende punten op het systeem.
6. Zorg dat de fles op de weegschaal staat voordat u begint met de recuperatieprocedure.
7. Start de recuperatiemachine en laat deze werken conform de instructies.
8. Overvul de flessen niet (met niet meer dan 80% van het vulvolume van de vloeistof).
9. Overschrijd de maximale werkingsdruk van de cilinder niet, zelfs niet tijdelijk.
10. Wanneer de cilinders correct zijn gevuld en de procedure is voltooid, zorg er dan voor dat decilinders en apparatuur snel van de locatie worden verwijderd en dat de alternatieve afsluitkleppen op de apparatuur worden gesloten.
11. Het gerecupereerd koelmiddel mag niet in een ander koelsysteem worden gebruikt zonder voorafgaand te zuiveren en te controleren.

#### **STORINGOPLOSSING**

- Soldeerwerkzaamheden dienen uitgevoerd te worden door erkende soldeerspecialisten.
- Voor de vervanging van de leidingen mag uitsluitend gebruik gemaakt worden van koperen buizen overeenkomstig de norm NF EN 12735-1.
- Detectie van lekken, testen onder druk:
  - nooit droge zuurstof of lucht gebruiken, gevaar voor brand of ontploffingen,
  - gedehydrateerde stikstof of een mengsel van stikstof en het op het typeplaatje aangegeven koelmiddel gebruiken.
  - de druk van de test aan de lage en hoge druk zijde mag niet hoger zijn dan 42 bar in het geval apparaat is voorzien van de optie manometer.
- Voor leidingen van het hogedrukkring uitgevoerd met een koperen buis van een diameter gelijk aan of meer dan 1 5/8, dient een certificaat §2.1 overeenkomstig de norm NF EN 10204 aangevraagd te worden bij de leverancier en dat aan het technisch installatiedossier toegevoegd dient te worden.
- De technische informatie met betrekking tot de veiligheidseisen van de verschillende toegepaste richtlijnen staan aangegeven op het typeplaatje. Al deze informatie dient geregistreerd te worden in de installatiehandleiding van het toestel die deel uit dient te maken van het technische installatiedossier: model, code, serienummer, max. en min. TS, PS, fabricatiejaar, CE-markering, adres van de fabrikant, koelvloeistof en gewicht, elektrische instellingen, thermodynamische en akoestische prestaties.

#### **LABELING**

- De apparatuur moet worden geëtiketteerd om aan te geven dat deze buiten gebruik is gesteld endat het koelmiddel is afgelaten.
- Het label moet worden gedateerd en ondertekend.
- Let er bij apparaten die een ontvlambaar koelmiddel bevatten op dat etiketten op het apparaat zijn aangebracht die aangeven dat het ontvlambaar koelmiddel bevat.

#### **RECUPERATIE**

- Tijdens het aflaten van koelmiddel voor onderhoud of buitenbedrijfstelling wordt aanbevolen om de goede praktijken op te volgen voor het veilig en volledig aflaten van koelmiddel.
- Gebruik bij het overbrengen van koelmiddel naar de cilinder een recuperatiecilinder geschikt voor

het koelmiddel. Verzeker u ervan dat u over het juiste aantal cilinders beschikt om de vloeistof volledig te recupereren. Alle gebruikte cilinders moeten ontworpen zijn voor het recuperen van koelmiddel en moeten een etiket dragen voor het betreffende koelmiddel. De cilinders moeten uitgerust zijn met een vacuümklep en beschikken over afsluitkleppen die goed werken. De lege recuperatiecilinders worden leeggezogen en, indien mogelijk, gekoeld vóór het recuperatieproces.

- De recuperatie-apparatuur moet in goede werkingsstaat verkeren, de gebruiksaanwijzing van de apparatuur moet binnen handbereik zijn en de apparatuur moet geschikt zijn voor het koelmiddel, indien van toepassing, evenals voor ontvlambaar koelmiddel. Daarnaast moet een set gekalibreerde weegschalen beschikbaar zijn. Deze moeten in goede werkingsstaat verkeren. De slangen moeten volledig zijn, mogen geen lekken of losse verbindingen hebben, en moeten in goede staat zijn. Controleer voordat u de recuperatiemachine gebruikt of deze in goede staat verkeert, en goed is onderhouden en of de bijbehorende elektrische componenten dicht zijn om te voorkomen dat er brand ontstaat bij het vrijkomen van koelmiddel. Raadpleeg bij twijfel de fabrikant.
- Het gerecupereerde koelmiddel moet worden teruggestuurd naar de koelmiddelleverancier in een recuperatiecilinder, met een afvaloverdrachtsbrief. Meng geen verschillende koelmiddelen in de recuperatiesystemen, en vooral niet in de cilinders.
- Na het demonteren van de compressor of het afdalen van de compressorolie, controleren of het koelmiddel volledig is verwijderd om te vermijden dat het zich met het smeermiddel zou mengen. Het afdalproces moet worden uitgevoerd voordat de compressor naar de leverancier wordt terug gestuurd. Enkel de elektrische verwarming van het compressorlichaam kan worden gebruikt om dit proces te versnellen. Het afdalen van de vloeistoffen in een systeem moet op volledig veilige wijze gebeuren.



#### **RECYCLING**

Dit symbool wordt opgelegd door de Europese AEEA-richtlijn 2012/19/EU (richtlijn betreffende afgedankte elektrische en elektronische apparatuur) en betekent dat uw apparaat niet met het huisvuil mag worden weggegooid. Dit moet selectief worden verwerkt voor hergebruik, recyclage of herstelling. Als het apparaat mogelijk milieugevaarlijke stoffen bevat, dan moeten deze verwijderd of geneutraliseerd worden. Vraag uw dealer om informatie over de wijze van recycling.

# MINI HEATER

## Gebruik en Onderhoud gebruiksaanwijzing

### INDEX

1. Specificaties
2. Transportreclame
3. Afmetingen
4. Installatie en aansluiting
5. Elektrische bedrading
6. Scherm bediening systeem
7. Problemen
8. Exploded diagram
9. Onderhoud
10. Accessoires

Dank u voor het gebruiken van de GRE zwembad warmtepomp voor uw zwembad verwarming, het zal uw zwembadwater verwarmen en het op een constante temperatuur houden wanneer de omgevingstemperatuur boven 12°C is.



**LET OP: Deze gebruiksaanwijzing bevat alle benodigde informatie voor het gebruik en de installatie van uw warmtepomp.**

De installateur moet de gebruiksaanwijzing lezen en de instructies zorgvuldig volgen bij plaatsing en onderhoud.

De installateur is verantwoordelijk voor de installatie van het product en moet alle instructies opvolgen van de fabrikant en de regels in toepassing. Verkeerde installatie niet volgens de gebruiksaanwijzing heeft uitsluiting van de gehele garantie tot gevolg.

De fabrikant verwerpt elke verantwoordelijkheid voor de schade veroorzaakt door de mensen, objecten en of de fouten wegens de installatie die niet de aanwijzing van de gebruiksaanwijzing volgen. Elk gebruik zonder bevestiging bij het begin van de fabricatie zal beschouwd worden als gevaarlijk.

# 1. Specificaties

## 1.1 Technische gegevens

CE Standard, gas R32.

Model	HPM20	HPM30	HPM40
Code	71245	71258	71606
<b>* Optreden bij luchttemperatuur 28°C, watertemperatuur 28°C, luchtvochtigheid 80%</b>			
Verwarmingscapaciteit(kW)	2.5	4.2	5.5
Stroomverbruik (kW)	0.59	1	1.31
COP	4.2	4.2	4.2
<b>* Capaciteit bij luchttemperatuur 15°C, watertemperatuur 26°C, luchtvochtigheid 70%</b>			
Koel capaciteit (kW)	1.9	3.2	4.2
Stroomverbruik (kW)	0.56	0.91	1.2
COP	3.4	3.5	3.5
<b>* Algemene data</b>			
Voltage (V)	220-240V~50Hz/1PH		
Werk stroom (A)	2.6	4.4	5.8
Zekering(A)	7.5	10	16
Maximaal zwembadvolume ** (m <sup>3</sup> )	<20	<30	<40
Minimale en aanbevolen waterstroom (m3/u)	2	2	2.5
Maximale / minimale werkdruk (Mpa)	4.2/0.05		
Maximum drukverlies (Kpa)	15	15	15
Warmtewisselaar	Titanium warmtewisselaar		
Beschermingsklasse	IPX4		
Aansluitingen (mm)	38/32		
Ventilator snelheid (rpm)	2500	1100	1100
Geluidsniveau 10m	48 dB(A)	46 dB(A)	46 dB(A)
Geluidsniveau 1m	57 dB(A)	55 dB(A)	55 dB(A)
Type koeling (R32)	160g	290g	400g
<b>* Afmetingen/ Gewicht</b>			
Netto gewicht (kg)	18	26	30
transport gewicht (kg)	19	28.5	33
Netto afmetingen (mm)	313*364.5*428.5	435*436.5*511.5	515*487*541.5
Transport afmetingen (mm)	380*455*500	496*525*575	570*570*605

\*Bovenstaande gegevens zijn onderhevig aan modificatie zonder opgave.

\*\* Kijk op onze verpakking of website voor meer details.

## 2. Transportreclame

### 2.1 Levering van de verpakking



Voor het transport worden de warmtepompen op de pallet bevestigd en afgedekt met een kartonnen doos.

Om schade te voorkomen, moet de warmtepomp op de verpakking worden overgebracht.

Al het materiaal, zelfs als het transport ten laste van de leverancier komt, kan tijdens de routing bij de klant worden beschadigd en het is de verantwoordelijkheid van de geadresseerde om te zorgen voor de correspondentie van de levering.

De geadresseerde moet bij levering alle opmerkingen noteren op de leveringsbon van de vervoerder als er schade is aan de verpakking. **VERGEET NIET TE BEVESTIGEN DOOR GEGISTREERDE BRIEF AAN DE VERVOERDER BINNEN 48 UUR.**

### 2.2 Opslag



\* Het magazijn moet licht, ruim, open, goed geventileerd zijn, ventilatie-apparatuur hebben en geen vuurbron.

\* Warmtepomp moet worden opgeslagen en in verticale positie in de originele verpakking worden overgedragen. Als dit niet het geval is, kan deze niet meteen worden gebruikt; een minimale periode van 24 uur is nodig voordat de elektrische stroom wordt ingeschakeld.

#### VERBODEN



### 2.3 Transport naar de eindbestemming

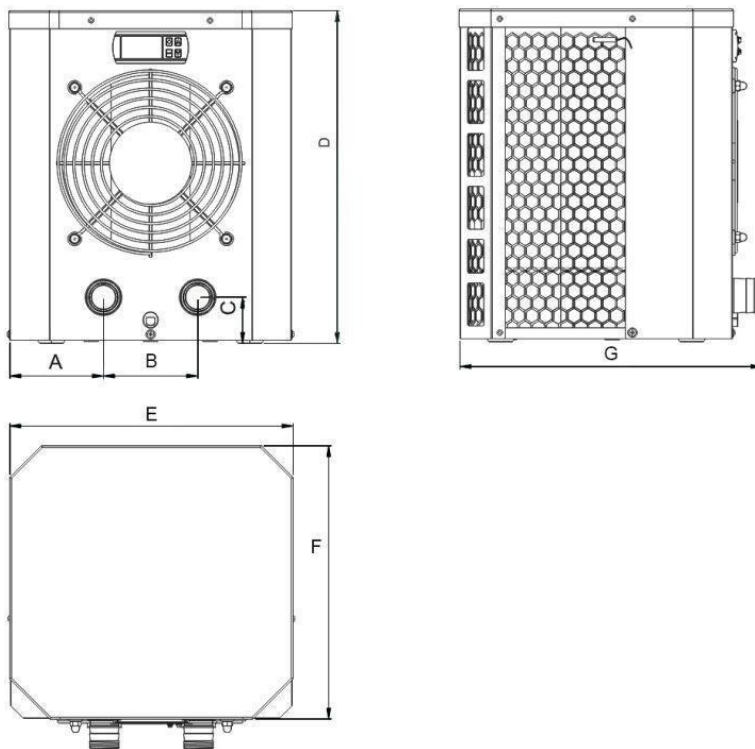
\* Tijdens het uitpakken van het product en de overdracht van het oorspronkelijke pallet naar de eindbestemming, is het noodzakelijk om de verticale positie van de warmtepomp te handhaven.

\* Roken en het gebruik van vlammen zijn verboden in de buurt van de R32-machine.

\* De wateraansluiting is niet bedoeld om de warmtepomp te fixeren en is geen vervanging van de vloerbevestiging. Integendeel, het gewicht van de warmtepomp kan de leidingen en het product beschadigen. **De fabrikant is niet verantwoordelijk in geval van schade.**



### 3. Afmeting



Item / (mm)	A	B	C	D	E	F	G
<b>HPM20</b>	90.4	130	50	428.5	313	300	364.5
<b>HPM30</b>	116.5	200	50	511.5	435	365	436.5
<b>HPM40</b>	134.6	260	50	541.5	515	421	487

## 4. Installatie en aansluiting

### Attentie:

Volg alstublieft de volgende regels wanneer u de warmtepomp installeert:

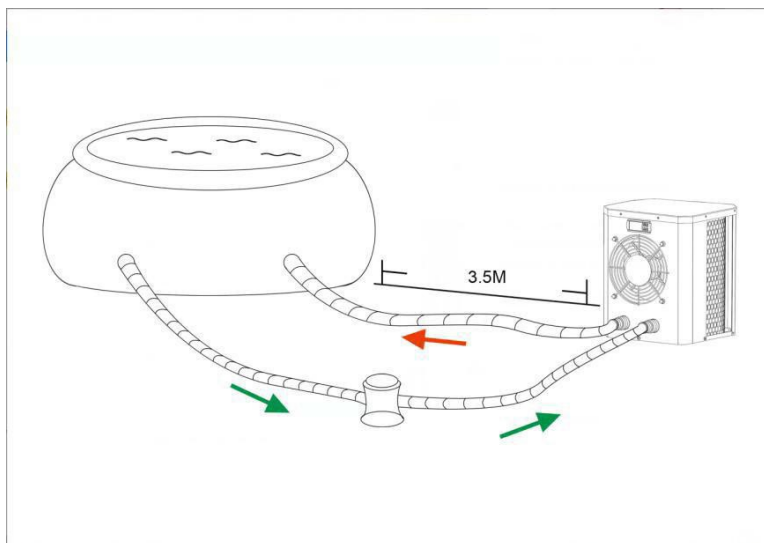
1. Elke toevoeging van chemicaliën moet plaatsvinden in de buizen gelokaliseerd na de warmtepomp.
2. Houdt de hele warmtepomp altijd recht . Als het apparaat in een diagonale positie was gehouden, wacht tenminste 24 uren met het starten van de warmtepomp.

### 4.1 Warmtepompplaatsing

Het apparaat zal goed werken in elke gewenste locatie zolang de volgende drie onderdelen aanwezig zijn:

- 1. Frisse lucht** – **2. Elektriciteit** – **3. Zwembadfilters**

Het apparaat mag worden geïnstalleerd in virtueel elke buiten locatie zolang als de gespecificeerde minimumafstanden met andere objecten wordt aangehouden (zie tekening hieronder). Raadpleeg alstublieft uw installateur voor installatie met een zwembad binnenshuis. Installatie in een locatie met veel wind is helemaal geen probleem, wel in de situatie met een gasverwarming (inclusief waakvlam problemen).

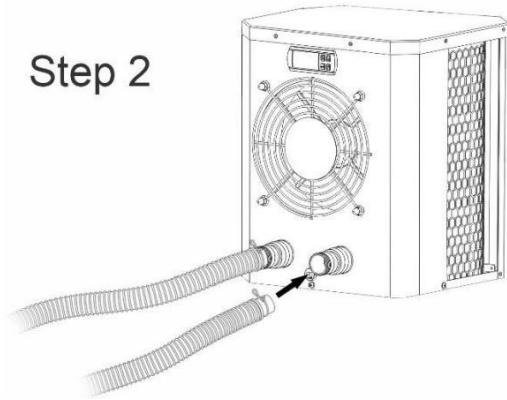


**ATTENTIE:** Installeer het apparaat nooit in een afgesloten ruimte met een gelimiteerde luchthoeveelheid in waarde lucht uitgestoten door het apparaat weer hergebruikt wordt, of nabij bosschage dat de luchtinlaat kan blokkeren. Zulke locaties verhinderen de continueuze levering van frisse lucht, wat resulteert in een gereduceerde efficiencie en mogelijk voldoende warmte afgifte tegengaat.

### 4.2 Initiële werking

**Opmerking:** Om het water in het zwembad (of de hot tub) te verwarmen, moet de filterpomp draaien om het water door de warmtepomp te laten circuleren. Als het water er niet doorheen stroomt, zal de warmtepomp de oververhittingsbeveiliging activeren en een uitschakeling veroorzaken.

### 4.3 Slangaansluiting



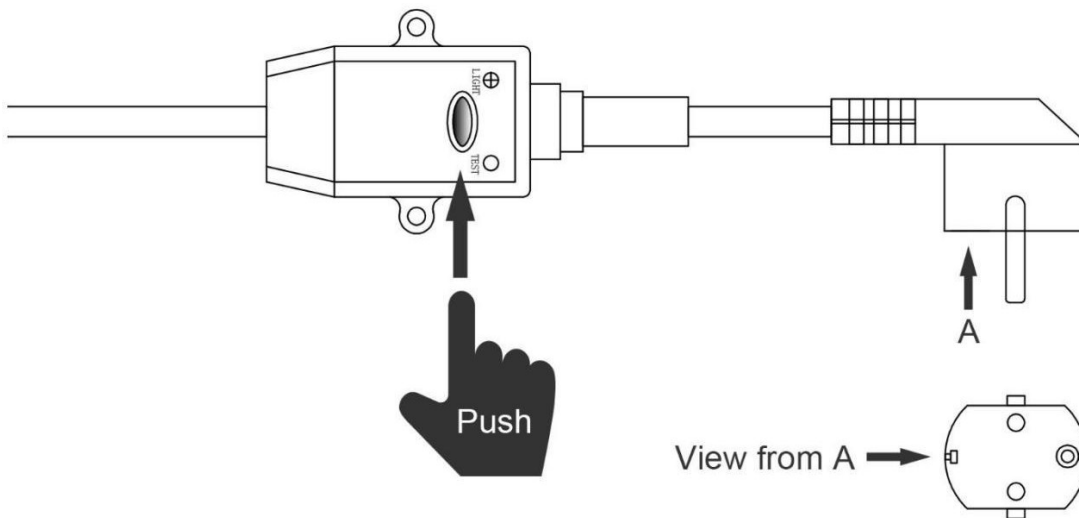
#### Opmerkingen:

De fabriek levert alleen de warmtepomp. Alle andere componenten, inclusief twee slangen, moeten door de gebruiker of de installateur worden geleverd.

### 4.4 Elektrische verbinding

Voor het aansluiten van het apparaat, verifiëer dat het stroomvoltage overeenkomt met het werk voltage van de warmtepomp.

De RCD-stekker is meegeleverd met een voedingskabel die een elektrische bescherming kan bieden. De testknop is om de capaciteit van de stroomonderbreker te controleren.



## **Aandacht:**

<p><b>Zorg ervoor dat de stekker stevig vastzit</b></p> <p>Als de stekker niet goed vastzit, kan dit een elektrische schok, oververhitting of brand veroorzaken</p> 	<p><b>Trek nooit de stekker uit het stopcontact tijdens gebruik</b></p> <p>Anders kan dit een elektrische schok of brand veroorzaken als gevolg van oververhitting.</p> 	<p><b>Gebruik nooit beschadigde elektrische draden of niet-gespecificeerde elektrische draden.</b></p> <p>Anders kan dit een elektrische schok of brand veroorzaken.</p> 
---	---	--

Nadat alle verbindingen gemaakt zijn en gecontroleerd, voer dan de volgende procedure uit:

1. Zet de filterpomp aan. Controleer op lekkage en verifieer dat het water stroomt van en naar het zwembad.
2. Sluit de stroom aan de waterpomp aan en druk op de aan/uit knop op het elektronische controlepaneel. Het apparaat zou opstarten nadat de tijdvertraging voorbij is (zie onder).
3. Na een paar minuten, controleer of de lucht die uit het apparaat komt koeler is.
4. Wanneer de filterpomp uitgezet wordt, moet het apparaat ook automatisch afslaan, wanneer niet, stel dan de doorvoer schakelaar bij.
5. Laat de warmtepomp en de filterpomp 24 uren per dag lopen totdat de gewenste watertemperatuur is bereikt. De warmtepomp zal op dit punt stoppen. Hierna, zal het automatisch herstarten (zolang als de filterpomp loopt) wanneer de watertemperatuur van het zwembad 2 graden daalt onder de ingestelde temperatuur.

Afhankelijk van de initiële temperatuur van het water in het zwembad en de luchttemperatuur, kan het verscheidene dagen duren om het water te verwarmen tot de gewenste temperatuur. Een goede zwembad afdekking kan de benodigde lengte van tijd dramatisch inkorten.

**Tijdvertraging** - De warmtepomp heeft een ingebouwde 3-minuten opstart vertraging om het circuit te beschermen en excessief contact verval te voorkomen. Het apparaat zal automatisch herstarten nadat deze tijdvertraging afloopt. Zelfs een korte stroomonderbreking zal deze tijdvertraging starten en voorkomen dat het apparaat onmiddellijk herstart. Meerdere stroomonderbrekingen tijdens deze vertraging periode hebben geen effect op de 3-minuten periode van de vertraging.

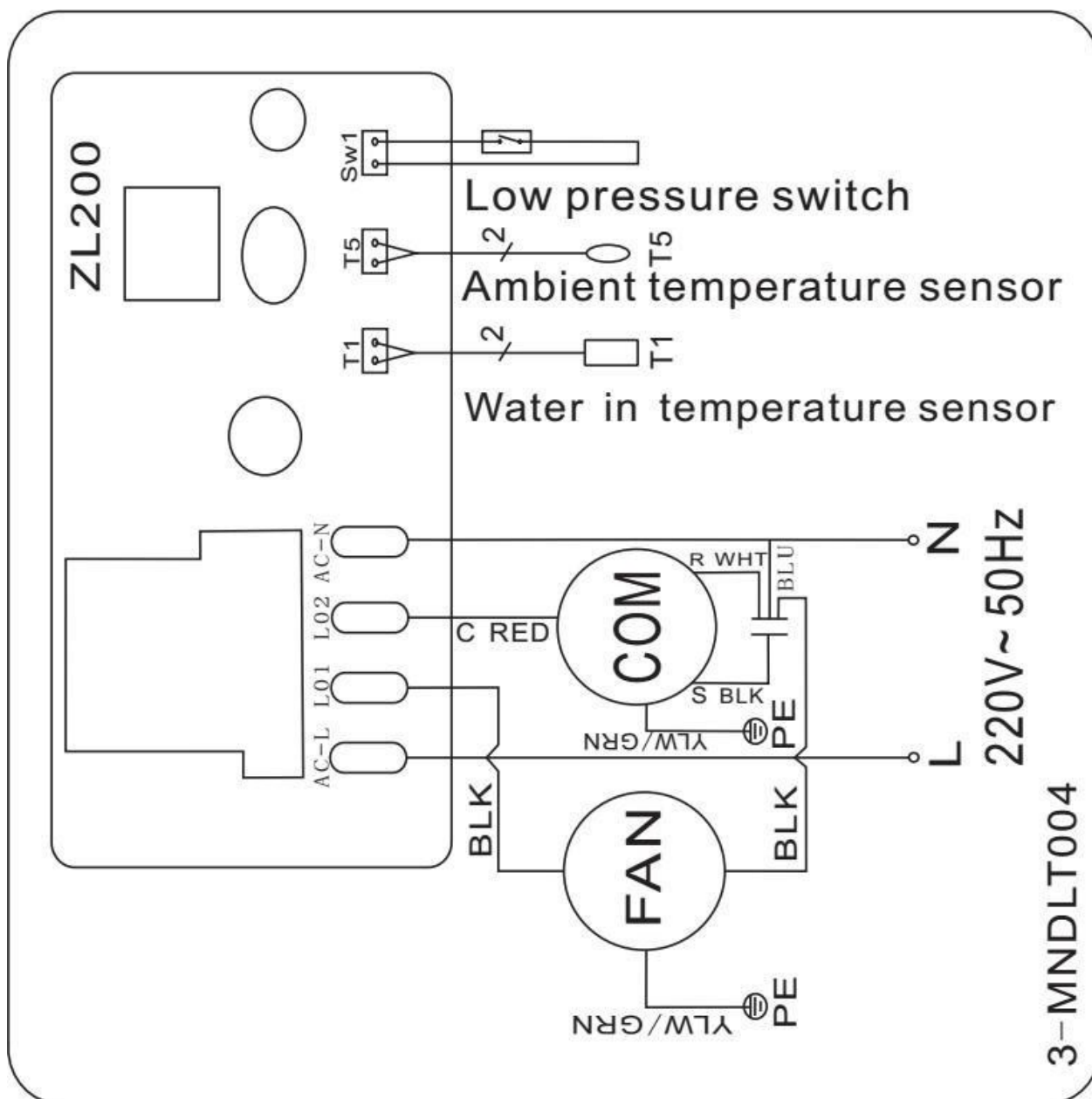
### **4.5 Condensatie**

De lucht aangetrokken door de warmtepomp wordt sterk gekoeld door de werking van de warmtepomp om het water van het zwembad te verwarmen, wat condensatie kan veroorzaken op de bladen van de verdamper. De hoeveelheid condensatie kan zoveel zijn als verscheidene liters per uur bij hoge relatieve vochtigheid. Dit is soms foutief beschouwd als een water lekkage.

## 5. Elektrische bedrading

### 5.1 ZWEMBAD WARMTEPOMP BEDRADINGSHEMA

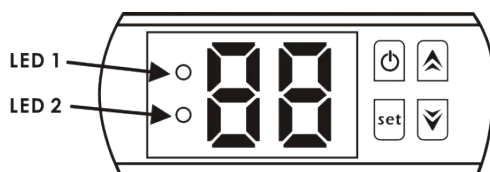
Code; HPM20





## 6. Scherm bediening systeem

### 6.1 De knoppen van de LED draad bediening




Wanneer de warmtepomp aan is, toont het LED scherm de invoer watertemperatuur.

LED 1 brandt als de compressor draait.

LED 2 brandt als er problemen zijn.



### 6.2 Start of stop dewarmtepomp

Druk op  om het warmtepomp apparaat te starten, het LED scherm toont de gewenste watertemperatuur voor 5 seconden, dan toont het de invoerwatertemperatuur.

Druk op  om het waterpomp apparaat stop te zetten.






### 6.3 Watertemperatuur instelling

Druk op  en  om de gewenste watertemperatuur in te stellen (bereik: 10—42 °C)

Druk op  en  om de nieuwe gegevens op te slaan.

Opmerking ; de warmtepomp kan alleen werken als het water circulatie/filtratie systeem draait.

### 6.4 Hoe de parameters te controleren

Druk op , het zal de parametercontrole binnengaan, druk op  en  om de code d0 / d1 te kiezen, Druk op , het zal de gemeten waarde tonen. Tenslottedruk op  verlaten.

Code	Parameter
d0	Omgevingstemperatuur
d1	Water temperatuur

het kan de parameterdata niet instellen door eindgebruikers.

## 7. Problemen

### 7.1 Fout code scherm op LED draadbediening

Storing	Fout code	Reden	Oplissing
Bescherming tegen te lage omgevingstemperatuur	P0	<ol style="list-style-type: none"><li>1. De omgevingstemperatuur is lager dan 12 °C</li><li>2. Controller mislukt.</li></ol>	<ol style="list-style-type: none"><li>1. Wacht tot de omgevingstemperatuur stijgt tot 13 °C te starten.</li><li>2. Vervang de nieuwe controller.</li></ol>
Fout in de watertemperatuursensor	P1	Watertemperatuursensor open circuit of kortsluiting.	Vervang de nieuwe watertemperatuursensor.
Uitval van de omgevingstemperatuursensor	P2	Omgevingstemperatuursensor open circuit of kortsluiting.	Vervang de nieuwe omgevingstemperatuursensor.
Lage druk bescherming	EL	<ol style="list-style-type: none"><li>1. Lage drukschakelaar losgekoppeld of defect.</li><li>2. Gaslekkage.</li></ol>	Het moet worden gerepareerd door de professionele technici.

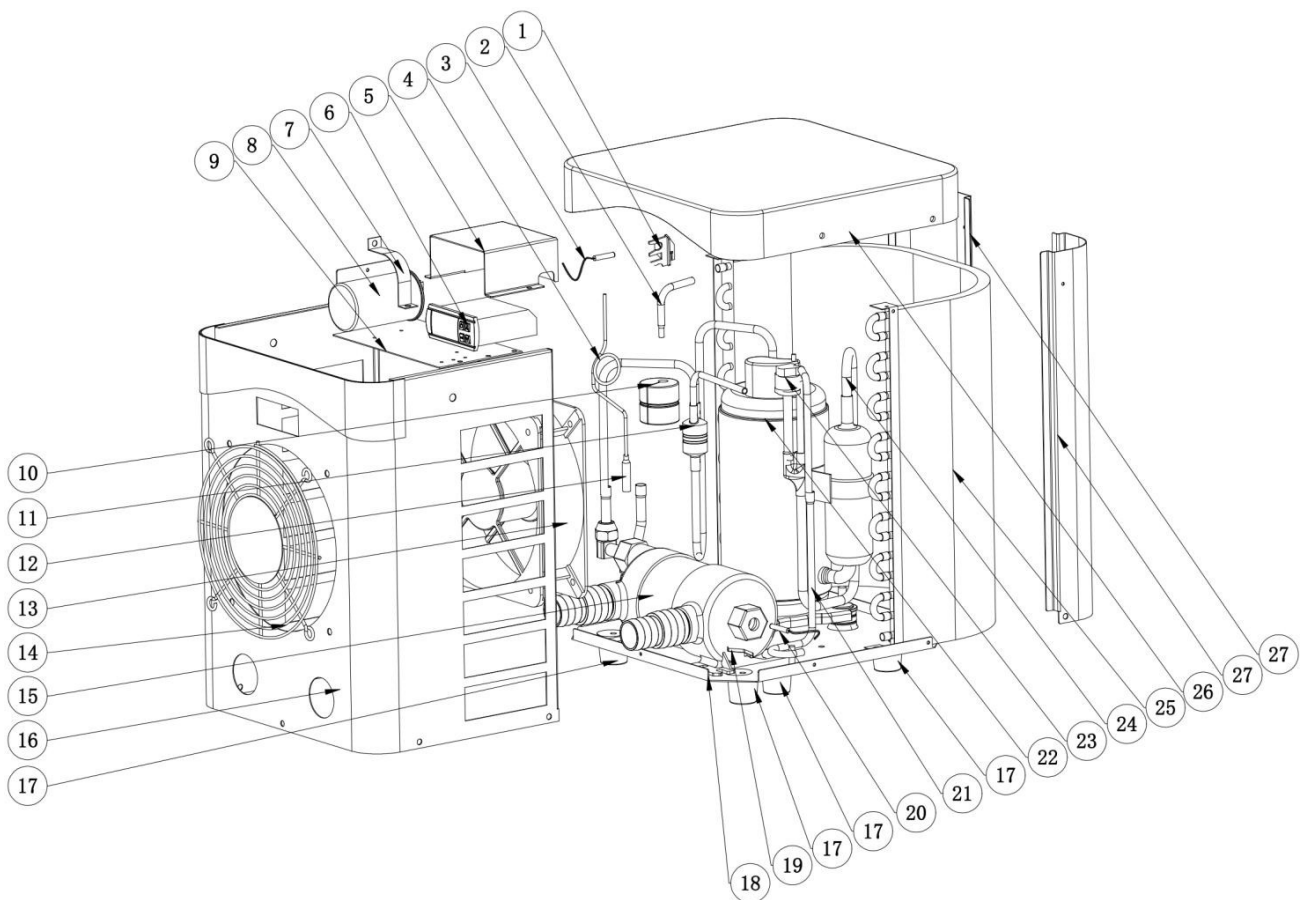


## 7.2 Andere fouten en oplossingen (Geen verschijning op LED draad controller)

<b>Malfunctions</b>	<b>Observing</b>	<b>Reason</b>	<b>Solution</b>
Warmtepomp werkt niet	LED draadcontroller geen verschijning.	Geen stroomvoorziening	Controleer stroomkabel en groep in de meterkast.
	LED draad controller toont de actuele watertemperatuur.	<ol style="list-style-type: none"> <li>1. Watertemperatuur bereikte ingestelde waarde, HP onder constante temperatuur status.</li> <li>2. Warmtepomp begint net te lopen.</li> </ol>	<ol style="list-style-type: none"> <li>1. Controleer watertemperatuur instelling.</li> <li>2. Start warmtepomp na een paar minuten.</li> </ol>
Korte looptijd	LED toont actuele watertemperatuur, er verschijnt geen fout code.	<ol style="list-style-type: none"> <li>1. Ventilator draait NIET.</li> <li>2. Luchtventilator hij is niet genoeg.</li> <li>3. Niet genoeg koelmiddel.</li> </ol>	<ol style="list-style-type: none"> <li>1. Controleer de kabelverbindingen tussen de motor en ventilator, wanneer nodig, moet het vervangen worden.</li> <li>2. Controleerlocatie van het warmtepomp apparaat, en elimineer alle obstakels om een goede luchtventilatie mogelijk te maken.</li> <li>3. Vervang of repareer het warmtepomp apparaat.</li> </ol>
Water vlekken	Water vlekken op warmtepomp apparaat.	<ol style="list-style-type: none"> <li>1. Betonnen.</li> <li>2. Water lekkage.</li> </ol>	<ol style="list-style-type: none"> <li>1. Geen actie.</li> <li>2. Controleer de titanium warmtewisselaar zorgvuldig of het defect is.</li> </ol>

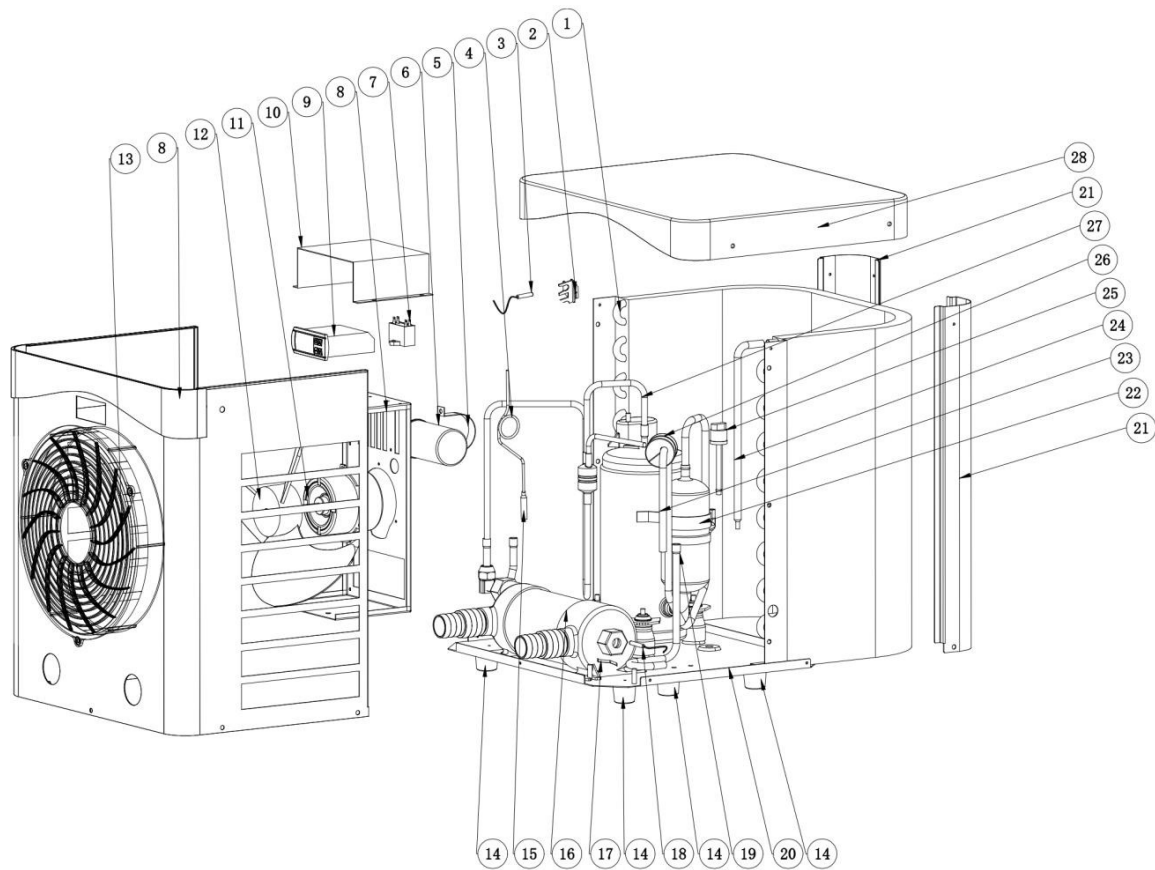
## 8. Exploded Diagram

Unit: HPM20



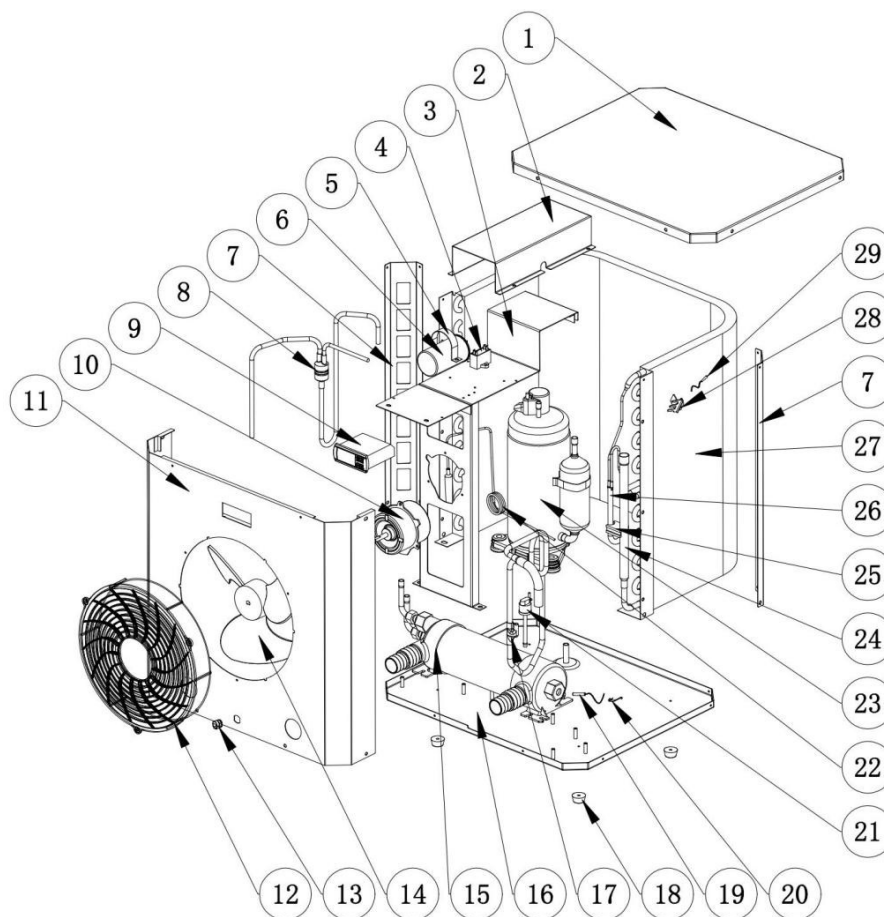
No	Onderdeel	HPM20	No	Onderdeel	HPM20
1	Omgevingstemperatuur Sensor Clip	102040891	15	Titaniumwisselaar	102040891
2	Koperen buis	108680047	16	Front paneel	108680047
3	Omgevingstemp. Sensor T5	136020168	17	Rubberen voeten	136020168
4	Capillair	108680045	18	Bodemplaat	108680045
5	Elektrisch compartiment	108010025	19	Klem	108010025
6	Display	117110068	20	Temp. sensor inkomend water T1	117110068
7	Compressor condensator Clip	113050123	21	Gasverzamelpijp	113050123
8	Compressor condensator	101000233	22	Compressor	101000233
9	Topplaat van ventilatormotor	116000091	23	Lagedrukschakelaar	116000091
10	Schokbestendige rubberen hamer	113010300	24	Uitlaat	113010300
11	Gas retourleidingen	103000236	25	Verdamper	103000236
12	Koperen buis	133400001	26	Bovenklep	133400001
13	Ventilatormotor	108680046	27	Wandsteun	108680046
14	Front rooster				

**Unit: HPM30**



No	Onderdeel	HPM30	No	Onderdeel	HPM30
1	Verdamper	103000237	15	Koperen buis	113100027
2	Omgevingstemperatuur Sensor Clip	133020010	16	Titaniumwisselaar	102040900
3	Omgevingstemp. Sensor T5	117110079	17	Klem	108010025
4	Capillair	109000038	18	T1 watertemperatuursonde	117110068
5	Compressor condensator Clip	108010006	19	Gasverzamelbuis	113050125
6	Compressor condensator	111000011	20	Bodemplaat	108690033
7	Ventilator condensator	111000034	21	Wandsteun	108690048
8	Front paneel	108690047	22	Compressor	101000232
9	Display	117020189	23	Gas retourleidingen	113020467
10	Elektrisch compartiment	108690015	24	Koperen buis	113420129
11	Ventilatormotor	112000054	25	Lagedrukschakelaar	116000091
12	Waaierblad	132000024	26	Schokbestendige rubberen hamer	136020026
13	Front rooster	133020052	27	Uitlaat	113010351
14	Rubberen voeten	136020168	28	Deksel	133330004

Unit: HPM40



No.	Onderdeel	HPM40	No.	Onderdeel	HPM40
1	Deksel	108950004	16	Bodemplaat	108950001
2	Elektrisch compartiment	108950006	17	Gas retourleidingen	113020602
3	Ventilatormotor beugel	108950005	18	Rubberen voeten	136020141
4	Ventilator condensator	111000034	19	Temp. sensor inkomend waterT1	117110068
5	Compressor condensator Clip	108010006	20	Clip van de temperatuursensor van de wisselaar	108010025
6	Compressor condensator	111000012	21	Lagedrukschakelaar	116000091
7	Wandsteun	108950003	22	Capillair	109000038
8	Uitlaat	113020624	23	Compressor	101000210
9	Display	117020165	24	Gasverzamelpijp	103000343
10	Ventilatormotor	112000079	25	Rubberen blok	136020005
11	Front paneel	108950002	26	Distributie leidingen	103000343
12	Front rooster	133020052	27	Verdamper	103000343
13	Kabeldoorvoer netsnoer	142000126	28	Omgevingstemp. sensor clip	133020010
14	Waaierblad	132000024	29	Omgevingstemp. SensorT5	117110079
15	Titaniumwisselaar	117020363			

## 9. Onderhoud

(1) U moet het water voorziening systeem regelmatig controleren om te voorkomen dat lucht het systeem binnentreedt en lage water doorvoer voorkomen, omdat het de prestaties en betrouwbaarheid van het HP apparaat kan verminderen.

(2) Reinig uw zwembaden en filter systeem regelmatig om schade aan het apparaat te vermijden als een resultaat van eenvuil of verstopt filter.

(3) Laat het water in de warmtepomp altijd leeglopen in de winter of wanneer de omgevingstemperatuur onder 0 °C daalt, anders zal de titaniumwisselaar beschadigd raken door bevriezing. In dat geval vervalt uw garantie.

(4) In omgekeerde manier, moet u controleren dat het apparaat volledig met water gevuld is voordat u het apparaat weer opnieuw opstart.

(5) Wanneer het apparaat werkt, is er de gehele tijd een klein water verlies onder het apparaat.

## 10. Accessoires



## NL - GARANTIECERTIFIKAAT

### 1ALGEMENE ASPEKTEN

- In overeenkomst met de voorliggende bepalingen wordt door de verkoper gegarandeerd dat het produktverkocht onder deze garantie ("het Produkt") geen enkel defect vertoont op het moment van levering.
- De Garantieperiode voor het Produkt bedraagt twee (2) jaar en is geldig vanaf het moment dat het Produktaan de koper geleverd wordt.
- Indien er zich een defect aan het Produkt zou voordoen en de koper dit zou mededelen aan de verkoper gedurende de geldige Garantieperiode, dan zal de verkoper het Produkt repareren of laten repareren op zijn eigenkosten alwaar de verkoper dit geschikt zou achten, behalve in het geval dat dit onmogelijk of buitensporig zou zijn. 1.4Indien het Produkt niet gerepareerd of vervangen kan worden, dan kan de koper na verhouding prijsreductie aanvragen, of, indien het defect belangrijk genoeg is, de ontbinding van het verkoopcontractaanvragen.
- Die delen van het Produkt die onder deze Garantie vervangen of gerepareerd zijn, kunnen de duur van de Garantieperiode voor het oorspronkelijke Produkt niet verlengen, maar zullen beschikken over een eigen garantie.
- Voor de toepassing van deze garantie moet de koper de aankoopdatum en de levering van het Produktkunnen aantonen.
- Indien er meer dan zes maanden verlopen zijn sinds de levering van het Produkt aan de koper, en deze plotseling aangeeft dat het Produkt niet aan de eisen voldoet, dan zal de koper de oorsprong en het bestaan van devolgens hem bestaande defecten moeten kunnen aantonen.
- Dit Garantiecertificaat beperkt of veroordeelt niet bij voorbaat de rechten die de gebruikers hebben en diegebaseerd zijn op nationalenormen.

### 2BIJZONDERE VOORWAARDEN

- Deze garantie dekt de produkten waarnaar deze handleiding verwijst.
- Het huidige Garantiecertificaat is slechts van toepassing in landen van de Europese Unie.
- Voor de toepassing van deze garantie en in geval deze garantie van toepassing is al naar gelang de serie en het model van het Produkt, moet de koper de aanwijzingen van de Fabrikant in de documenten die bij het Produkt bijgesloten zijn, strikt opvolgen.
- Indien er een tijdsperiode vastgesteld wordt voor de vervanging, het onderhoud of het reinigen van verschillende delen of onderdelen van het Produkt, dan is de garantie alleen geldig in geval deze tijdsperiode striktaangehouden is.

### 3BEPERKINGEN

- De huidige garantie is uitsluitend geldig bij verkoop aan gebruikers, waarbij onder "gebruiker" verstaanwordt een persoon die het Produkt aanschaft met een doel dat niet binnen het gebied van zijn professionele activiteiten valt.
- Er bestaat geen garantie in verband met normale slijtage bij gebruik van het Produkt. Wat betreft de delen, componenten en/of vervangbare of verbruiksmaterialen zoals batterijen, gloeilampen, enz. zal men zich moetenrichten naar hetgeen in de documenten staat die het Produktvergezellen.
- De garantie dekt niet de gevallen waarbij het Produkt (i) onderhevig is geweest aan ongepast gebruik, (ii) gerepareerd, onderhouden of gemanipuleerd is door een persoon die daarvoor geen toestemming heeft, of (iii) gerepareerd of onderhouden is met niet oorspronkelijke onderdelen. Indien het defect van het Produkt het gevolg is van een incorrecte installering of ingebruikneming, dan is deze garantie slechts van toepassing indien de installering of ingebruikneming in kwestie in het contract van koop en verkoop van het produkt opgenomen is en door de verkoper of onder diens verantwoordelijkheid uitgevoerd is.



## AVISOS

	<p>Este símbolo mostra que informações como o Manual de Operações ou Manual de Instalação estão disponíveis.</p>		<p>Este símbolo indica que este aparelho utiliza R32, um refrigerante de baixa velocidade de combustão.</p>
	<p>Este símbolo indica que o Manual de Utilização deve ser lido com atenção.</p>		<p>Este símbolo indica que um técnico de manutenção deve manusear este equipamento de acordo com o Manual de Instalação.</p>

### AVISOS GERAIS

- O não cumprimento dos avisos pode causar danos ao equipamento da piscina, ferimentos graves, ou mesmo a morte.
- Apenas um profissional qualificado nos domínios técnicos correspondentes (eletricidade, hidráulica ou refrigeração), está habilitado a executar a manutenção ou a reparação do aparelho. O técnico qualificado que intervém no aparelho deve utilizar/usar um equipamento de proteção individual (tais como óculos de segurança, luvas de proteção, etc...) para reduzir todo o risco de ferimento que pode ocorrer aquando da intervenção no aparelho.
- Antes de qualquer intervenção no aparelho, certifique-se de se encontra fora de tensão e isolado.
- Este aparelho não está previsto ser utilizado por pessoas (incluindo crianças, de 8 anos ou mais) inexperientes ou cujas capacidades físicas, sensoriais ou mentais sejam reduzidas, salvo: se for utilizado sob vigilância ou com instruções de utilização dadas por uma pessoa responsável pela sua segurança; e se elas compreenderem os riscos incorridos. As crianças devem ser vigiadas para assegurar-se de que não brinquem com o aparelho.
- A instalação do aparelho deve ser realizada em conformidade com as instruções do fabricante e no respeito das normas locais e nacionais em vigor. O instalador é responsável pela instalação do aparelho e pelo cumprimento das regulamentações nacionais em matéria de instalação. Em caso algum o fabricante poderá ser considerado responsável no caso do não cumprimento das normas de instalação locais em vigor.
- Para qualquer outra ação diferente da simples conservação pelo utilizador descrita neste manual, o produto deve ser conservado por um profissional qualificado.
- Toda a instalação e/ou utilização incorreta pode provocar prejuízos materiais ou corporais graves (podendo causar a morte).
- No caso de um mau funcionamento do aparelho: não tentar reparar por si mesmo o aparelho, e contactar um técnico qualificado.
- Toda a desativação, eliminação ou contorno de um dos elementos de segurança integrados ao aparelho anula automaticamente a garantia, assim como a utilização de peças de substituição provenientes de um fabricante terceiro não autorizado.
- Não vaporizar inseticida nem outro produto químico (inflamável ou não) sobre o aparelho, porque esses produtos podem deteriorar a carroçaria e provocar um incêndio.
- Não tocar no ventilador nem nas peças móveis e não inserir objetos ou os seus dedos na proximidade das peças móveis quando o aparelho estiver em funcionamento. As peças móveis podem causar ferimentos graves ou mesmo a morte.

### AVISOS LIGADOS A APARELHOS ELÉTRICOS

- A alimentação elétrica do aparelho deve ser protegida por um dispositivo de proteção de corrente

diferencial residual (DDR) de 30 mA dedicado, em conformidade com as normas em vigor do país de instalação.

- Não utilizar uma extensão para ligar o aparelho; ligá-lo diretamente a um circuito de alimentação adaptado.
- Antes de qualquer operação, verificar que:
  - A tensão indicada na placa sinalética do aparelho corresponde efetivamente à da rede,
  - A rede de alimentação é adequada à utilização do aparelho e dispõe de uma ligação à terra,
  - A ficha de alimentação (se aplicável) adapta-se à tomada de corrente.
- Não desligar e ligar o aparelho durante o seu funcionamento.
- Não puxar o cabo de alimentação para o desligar.
- Se o cabo de alimentação estiver deteriorado, deverá imperativamente ser substituído pelo fabricante, o seu agente de manutenção ou uma outra pessoa qualificada, para garantir a segurança.
- Não realizar a conservação ou a manutenção do aparelho com as mãos molhadas ou se o aparelho estiver molhado.
- Antes de conectar o aparelho à fonte de alimentação, certificar-se de que o bloco de terminais ou a tomada ao qual o aparelho será conectado está em bom estado e não está deteriorado nem enferrujado.
- Em caso de tempestade, desligar o aparelho para evitar que seja deteriorado pelos raios.
- Não imergir o aparelho em água nem em lama; mantenha o disjuntor longe da água.

#### **ADVERTÊNCIAS LIGADAS AOS APARELHOS QUE CONTÉM REFRIGERANTE R32**

- O refrigerante R32 é um refrigerante de categoria A2L, que é considerado como potencialmente inflamável.
- Não descarregar o fluido R32 na atmosfera. Este fluido é um gás fluorado com efeito de estufa, coberto pelo protocolo de Quioto, com um Potencial de aquecimento global (GWP) = 675 (regulamentação europeia UE 517/2014).
- O aparelho deve ser armazenado num local bem ventilado afastado de qualquer fonte de chama.
- Instalar a unidade no exterior. Não instalar a unidade no interior ou num local fechado e não ventilado no exterior.
- Não utilizar meios de aceleração do processo de degelo ou de limpeza que não sejam os recomendados pelo fabricante.
- O aparelho deve ser armazenado num local sem fonte de faíscas em funcionamento permanente (por exemplo: chamas ao ar livre, aparelho a gás em funcionamento ou aquecimento elétrico em funcionamento).
- Não o perfurar, nem incinerar.
- O refrigerante R32 pode emitir um certo odor.
- A fim de cumprir as normas e regulamentos aplicáveis em termos de ambiente e instalação, em particular o decreto francês n.º 2015-1790 e / ou o regulamento europeu UE 517/2014, um teste de vazamento deve ser realizado no circuito de refrigeração pelo menos uma vez por ano. Esta operação deve ser realizada por um especialista certificado para testar aparelhos de refrigeração.
- Por favor, mantenha o controlador de tela em uma área seca para protegê-lo de ser danificado pela umidade.

#### **MANUTENÇÃO: AVISOS RELATIVOS AOS APARELHOS QUE CONTÉM REFRIGERANTE R32**

- Durante a fase de conservação do aparelho, a composição e o estado do fluido condutor de calor serão controlados, assim como a ausência de vestígios de refrigerante.
- Durante o controlo anual da estanqueidade do aparelho, de acordo com as leis em vigor, verificar que os pressostatos de alta e baixa pressão estão corretamente ligados ao circuito frigorífico e que o circuito elétrico é cortado em caso de desengate.
- Durante a fase de manutenção, certifique-se de que não há sinais de corrosão ou manchas de óleo em torno dos componentes frigoríficos.



- Não solde ou solde o tubo se houver refrigerante dentro da máquina. Não carregue o gás quando estiver em um espaço confinado.

#### **Verificação da zona**

- Antes de começar a trabalhar em sistemas que contém fluidos frigorígenos inflamáveis, controles de segurança são necessários para garantir que o risco de faíscas seja reduzido.

#### **Procedimento de trabalho**

- Os trabalhos devem ser efetuados segundo um procedimento controlado para reduzir o risco de libertação de um gás ou vapor inflamável durante os trabalhos.
- Antes de todas as intervenções no circuito frigorífico, é imperativo parar o aparelho e aguardar alguns minutos antes da instalação de sensores de temperatura ou de pressão, porque certos equipamentos como o compressor e as tubagens podem atingir temperaturas superiores a 100°C e pressões elevadas que poderiam provocar queimaduras graves

#### **Zona geral de trabalho**

- Todo o pessoal de manutenção e as outras pessoas que trabalham na zona próxima devem ser mantidas ao corrente dos trabalhos efetuados. Trabalhos em espaços confinados devem ser evitados.

#### **Verificação da presença de refrigerante**

- A zona deve ser objeto de uma verificação por um detetor de refrigerante apropriado antes e durante os trabalhos, para que o técnico seja avisado da presença de uma atmosfera potencialmente tóxica ou inflamável. Assegurar-se de que o equipamento de deteção de fugas utilizado é adaptado à utilização com todos os refrigerantes concernidos, ou seja que não pode provocar faíscas, está corretamente isolado ou é perfeitamente seguro.

#### **Presença de um extintor**

- Se trabalhos que implicam uma certa temperatura devem ser efetuados no equipamento frigorífico ou sobre qualquer peça associada, um equipamento de extinção dos incêndios apropriado deve encontrar-se à mão. Colocar um extintor de pó ou CO2 na proximidade da zona de trabalho.

#### **Ausência de fonte de ignição**

- Toda pessoa que efetuar trabalhos num sistema frigorífico e que tenha de expor as tubagens não deverá utilizar qualquer fonte de faíscas suscetível de representar um risco de incêndio ou explosão. Todas as possíveis fontes de faísca, nomeadamente cigarros, devem ser mantidas suficientemente longe do local de instalação, reparação, retirada ou eliminação, quando uma libertação de refrigerante no espaço circundante é potencialmente possível. Antes dos trabalhos, a zona em torno do equipamento deve ser examinada para assegurar que não comporta riscos de incêndio ou de faísca. Cartazes “É proibido fumar” devem ser afixados.

#### **Ventilação da zona**

- Antes de aceder à unidade de qualquer maneira com a intenção de executar qualquer tarefa de manutenção, verifique se a área está aberta e bem ventilada. Ventilação adequada deve ser fornecida durante toda a tarefa de manutenção para permitir que qualquer refrigerante que possa ser liberado na atmosfera seja disperso com segurança.

#### **Verificação do equipamento de refrigeração**

- As recomendações do fabricante em matéria de conservação e manutenção devem sempre ser respeitadas. Aquando da substituição de componentes elétricos, assegurar-se da utilização de componentes do mesmo tipo e da mesma categoria, que sejam recomendados/aprovados pelo fabricante. Em caso de dúvida, consultar a assistência técnica do fabricante para obter ajuda.
- As seguintes verificações devem ser aplicadas às instalações que utilizam refrigerantes inflamáveis:
  - as marcações no equipamento devem permanecer visíveis e legíveis, todo sinal ou marcação ilegível deve ser corrigido;
  - os tubos ou componentes frigoríficos são instalados numa posição em que é pouco provável que sejam expostos a qualquer substância que possa corroer os componentes que contém refrigerantes, a menos que esses componentes sejam fabricados com materiais normalmente

resistentes à corrosão ou corretamente protegidos contra tal corrosão.

#### **Verificação dos componentes elétricos**

- A reparação e a manutenção dos componentes elétricos devem comportar controlos de segurança iniciais e procedimentos de inspeção dos componentes. Caso ocorra uma falha que possa comprometer a segurança, nenhuma alimentação elétrica deverá ser conectada ao circuito até que esta falha seja inteiramente resolvida. Se a falha não puder ser corrigida imediatamente, mas seja necessário continuar os trabalhos, uma solução temporária adaptada deverá ser encontrada. Este facto deve ser sinalizado ao proprietário do equipamento para que todas as pessoas envolvidas sejam avisadas.
- A reparação e a manutenção dos componentes elétricos devem comportar os seguintes controlos de segurança iniciais:
  - os condensadores estão descarregados: isto deve ser efetuado com toda a segurança para evitar qualquer possibilidade de faísca;
  - nenhum componente elétrico e nenhum cabo alimentado é exposto durante a carga, o acondicionamento ou a purga do sistema;
  - a ligação à terra deve estar presente em contínuo.

#### **Reparação nos componentes isolados**

- Aquando de reparações de componentes isolados, todas as alimentações elétricas devem ser desconectadas do equipamento no qual serão efetuados os trabalhos, antes de qualquer remoção da tampa de isolamento, etc. Se o equipamento deve absolutamente ser alimentado com eletricidade durante a conservação, um dispositivo de deteção de fugas funcionando em permanência deve ser posicionado no ponto mais crítico para sinalizar qualquer situação potencialmente perigosa.
- Convém prestar uma atenção particular aos seguintes pontos, para garantir que durante os trabalhos em componentes elétricos, a caixa não seja alterada a ponto de afetar o nível de proteção. Isto deve incluir cabos deteriorados, um número excessivo de ligações, terminais não conformes às características de origem, juntas deterioradas, a instalação incorreta dos prensa-cabos, etc.
- Certificar-se de que o aparelho está corretamente fixado.
- Certifique-se de que as juntas ou os materiais de isolamento não estão degradados a ponto de deixarem de impedir que uma atmosfera inflamável penetre no circuito. As peças sobresselentes devem estar em conformidade com as características do fabricante.

#### **Reparação dos componentes intrinsecamente seguros**

- Não aplicar nenhuma carga de indução ou de capacidade elétrica permanente ao circuito sem se certificar de que esta não excede a tensão e a intensidade autorizadas para o equipamento em curso de utilização.
- Os componentes normalmente seguros são os únicos tipos de componentes sobre os quais é possível trabalhar na presença de uma atmosfera inflamável enquanto são alimentados. O aparelho de teste deve pertencer à classe adaptada.
- Substituir os componentes unicamente por peças especificadas pelo fabricante. Outras peças poderiam inflamar o refrigerante na atmosfera devido a uma fuga.

#### **Cablagem**

- Verificar que a cablagem não apresenta desgaste, corrosão, pressão excessiva,
- vibração, bordo cortante ou qualquer outro efeito ambiental negativo. O controlo deve igualmente ter em conta os efeitos do envelhecimento ou de vibrações contínuas provocadas por fontes como compressores ou ventiladores.

#### **Deteção de fluido refrigerante inflamável**

- Em caso algum fontes potenciais de faísca devem ser utilizadas para a busca ou deteção de fugas de refrigerante. Não utilizar uma lâmpada halóide (ou qualquer outro detetor que utilize uma chama nua).
- Os seguintes métodos de deteção de fuga são considerados como aceitáveis para todos os sistemas frigoríficos.

- Os detetores de fuga eletrónicos podem ser utilizados para detetar fugas de refrigerante, mas no caso de refrigerantes inflamáveis, é possível que a sensibilidade não seja adaptada ou necessite uma nova calibração. (O equipamento de deteção deve ser calibrado num local que não comporte nenhum refrigerante.) Certificar-se de que o detetor não é uma potencial fonte de faísca e é adaptado ao refrigerante utilizado. O equipamento de deteção de fugas deve ser ajustado a uma percentagem do LFL do refrigerante e deve ser calibrado em função do refrigerante utilizado. A percentagem de gás apropriada (25 % no máximo) deve ser confirmada.
- Os fluidos de deteção de fugas são igualmente adaptados à utilização com a maioria dos refrigerantes, mas a utilização de detergentes contendo cloro deve ser evitada, pois poderiam reagir com o refrigerante e corroer as tubagens em cobre.
- Se houver uma suspeita de fuga, todas as chamas nuas devem ser suprimidas/apagadas.
- Se uma fuga de refrigerante foi detetada e necessita uma brasagem, todo o refrigerante deve ser retirado do sistema ou isolado (através de válvulas de fecho) numa parte do sistema afastada da fuga.

#### **Retirada e evacuação**

- Aquando de um acesso ao circuito frigorífico para efetuar reparações, ou por qualquer outro motivo, procedimentos convencionais devem ser utilizados. No entanto, para refrigerantes inflamáveis, é essencial seguir as recomendações porque a inflamabilidade deve ser tida em conta. O seguinte procedimento deve ser respeitado:
  - retirar o refrigerante;
  - purgar o circuito com um gás inerte (facultativo para o A2L);
  - evacuar (facultativo para o A2L);
  - purgar com um gás inerte (facultativo para o A2L);
  - abrir o circuito por corte ou soldagem.
- A carga de refrigerante deve ser recuperada nas garrafas de recuperação apropriadas. Para aparelhos que contenham refrigerantes inflamáveis outros que os refrigerantes A2L, o sistema deve ser purgado com azoto isento de oxigénio para tornar o aparelho apto a receber refrigerantes inflamáveis. Pode ser necessário repetir este processo várias vezes. Ar comprimido ou oxigénio não devem ser utilizados para purgar sistemas frigoríficos.

#### **Procedimentos de carregamento**

- Assegure-se de que a saída da bomba de vácuo não se encontra na proximidade de qualquer fonte potencial de faísca e de que uma ventilação está disponível.
- Além dos procedimentos de carregamento convencionais, as seguintes exigências devem ser respeitadas:
  - Assegure-se de que nenhuma contaminação entre diferentes refrigerantes é possível durante a utilização de um equipamento de carga. Os tubos flexíveis e as linhas devem ser tão curtos quanto possível para reduzir a quantidade de refrigerante que contém.
  - As garrafas devem ser mantidas numa posição apropriada, conforme as instruções.
  - Assegure-se de que o sistema frigorífico está ligado à terra antes de carregar o sistema com refrigerante.
  - Etiquetar o sistema uma vez efetuada a carga (se já não for o caso).
  - Prestar particularmente atenção para não encher demasiado o sistema frigorífico.
  - Antes de recarregar o sistema, um teste com pressão deve ser efetuado com um gás de purga apropriado. O sistema deve ser examinado quanto à ausência de fuga no fim da carga, mas antes da colocação em serviço. Um teste de fuga de acompanhamento deve ser efetuado antes de sair do local.

#### **12. Desmantelamento**

- Antes de efetuar um procedimento de desmantelamento, é indispensável que o técnico esteja bem familiarizado com o equipamento e as suas características. É particularmente recomendado recuperar cuidadosamente a integralidade dos refrigerantes. Antes de efetuar esta tarefa, uma amostra de óleo e de refrigerante deve ser recuperada, caso análises se revelem necessárias antes de uma outra utilização do refrigerante recuperado. É indispensável verificar a presença de uma

alimentação elétrica antes de iniciar a tarefa.

1. Familiarizar-se com o equipamento e o seu funcionamento.
2. Isolar eletricamente o sistema.
3. Antes de iniciar o procedimento, assegurar-se dos seguintes pontos:
  - um equipamento de movimentação mecânica está disponível, se necessário, para manipular as garrafas de refrigerante;
  - todo o equipamento de proteção individual está disponível e é corretamente utilizado;
  - o processo de recuperação é acompanhado o tempo todo por uma pessoa competente;
  - O equipamento e as garrafas de recuperação estão em conformidade com as normas aplicáveis.
4. Evacuar o sistema frigorífico, se possível.
5. Se um vácuo não puder ser criado, instalar um coletor para poder retirar o refrigerante a partir de várias localizações do sistema.
6. Assegurar-se de que a garrafa se encontra sobre as balanças antes de começar as operações de recuperação.
7. Fazer arrancar a máquina de recuperação e fazê-la funcionar em conformidade com as instruções.
8. Não encher excessivamente as garrafas (não mais de 80 % do volume de carga líquida).
9. Não exceder a pressão máxima de funcionamento da garrafa, mesmo temporariamente.
10. Quando as garrafas tiverem sido corretamente cheias e o processo estiver terminado, assegurar-se de que as garrafas e o equipamento sejam rapidamente removidos do local e as válvulas de isolamento alternativas do equipamento sejam fechadas.
11. O refrigerante recuperado não deve ser carregado num outro sistema frigorífico, a menos que tenha sido limpo e controlado.

### **13. RESOLUÇÃO DE PROBLEMAS**

- Qualquer intervenção de soldagem deve ser realizada por soldadores qualificados.
- A substituição de tubagens só poderá ser efetuada com tubos em cobre em conformidade com a norma NF EN 12735-1.
- Detecção de fugas, caso de teste sob pressão:
  - nunca utilizar oxigénio ou ar seco, riscos de incêndio ou explosão,
  - utilizar azoto desidratado ou uma mistura de azoto e do refrigerante indicado na placa sinalética,
  - a pressão do teste dos lados baixa e alta pressão não deve exceder 42 bar, caso o aparelho esteja equipado com a opção manómetro.
- Para as tubagens do circuito de alta pressão realizadas com tubos em cobre de um diâmetro = ou > a 1”5/8, um certificado §2.1 segundo a norma NF EN 10204 deverá ser pedido ao fornecedor e conservado na documentação técnica da instalação.
- As informações técnicas relativas às exigências de segurança das diferentes diretivas aplicadas estão indicadas na placa sinalética. Todas estas informações devem ser registadas no manual de instalação do aparelho, que deve figurar na documentação técnica da instalação: modelo, código, número de série, TS máximo e mínimo, PS, ano de fabrico, marcação CE, endereço do fabricante, refrigerante e peso, parâmetros elétricos, performance termodinâmica e acústica.

### **ETIQUETAGEM**

- O equipamento deve ser etiquetado, com uma menção indicando que foi posto fora de serviço e que o fluido frigorígeno foi drenado.
- A etiqueta deve ser datada e assinada.
- Para os aparelhos que contém um fluido frigorígeno inflamável, prestar atenção a que etiquetas sejam apostas no equipamento, indicando que contém um refrigerante inflamável.

### **RECUPERAÇÃO**

- Aquando da drenagem do refrigerante, para a conservação ou a colocação fora de serviço, é recomendado seguir as boas práticas para drenar a integralidade do refrigerante com toda a segurança.
- Aquando da transferência de refrigerante a uma garrafa, utilizar uma garrafa de recuperação adaptada ao refrigerante. Prever o número adequado de garrafas para recuperar a integralidade do

fluido. Todas as garrafas a utilizar devem ser concebidas para a recuperação de refrigerante e devem ser etiquetadas para este refrigerante específico. As garrafas devem ser equipadas com uma válvula de

depressão e válvulas de retenção em bom estado de funcionamento. As garrafas de recuperação vazias são evacuadas e, se possível, arrefecidas antes da recuperação.

- O equipamento de recuperação deve estar em bom estado de funcionamento, as instruções de utilização do equipamento devem estar acessíveis e o equipamento deve ser adaptado ao refrigerante em questão, e se for o caso, ao refrigerante inflamável. Além disso, um conjunto de balanças calibradas deve estar disponível e em bom estado de funcionamento. Os tubos devem estar completos, não apresentar fugas nem uniões desconectadas, e devem estar em bom estado. Antes de utilizar a máquina de recuperação, verificar que ela está em bom estado de funcionamento, que foi bem conservada e os componentes elétricos associados foram tornados estanques para evitar qualquer início de incêndio em caso de liberação de refrigerante. Em caso de dúvida, consultar o fabricante.
- O refrigerante recuperado deve ser enviado ao fornecedor de refrigerante na sua garrafa de recuperação, com uma nota de transferência de resíduos. Não misturar diferentes fluidos frigorígenos nas unidades de recuperação, e em particular nas garrafas.
- Se o compressor for desmontado ou se o óleo do compressor for drenado, verificar que o refrigerante foi devidamente evacuado para que não se misture com o lubrificante. O processo de drenagem deve ser realizado antes de reenviar o compressor ao fornecedor. Unicamente o aquecimento elétrico do corpo do compressor pode ser utilizado para acelerar este processo. Quando qualquer líquido de um sistema for drenado, esta operação deve ser realizada com toda a segurança.



#### **Reciclagem**

Este símbolo, requerido pela diretiva europeia DEEE 2012/19/UE (diretiva relativa aos resíduos de equipamentos elétricos e eletrônicos) significa que o seu aparelho não deve ser posto no lixo. Ele será objeto de uma recolha seletiva com vistas à sua reutilização, reciclagem ou valorização. Se contiver substâncias potencialmente perigosas para o meio ambiente, estas serão eliminadas ou neutralizadas. Informe-se junto do seu revendedor sobre as modalidades de reciclagem.

# MINI HEATER

## Manual do Usuário e de Serviço

### INDEX

1. Especificações
2. Recomendações para transporte
3. Dimensão
4. Instalação e conexões hidráulicas
5. Esquemas Eléctricos
6. Operação do Controlador de Display
7. Solução de problemas
8. Diagrama Explodido
9. Manutenção
10. Acessórios

Obrigado por adquirir a bomba de calor da piscina Mini heater para o seu aquecimento da sua piscina, ele vai aquecer a água da sua piscina e manter a temperatura constante quando a temperatura ambiente está acima de 12 °C.



**ATENÇÃO:** Este manual inclui todas as informações necessárias com o uso ea instalação da sua bomba de calor.

O instalador deve ler o manual e seguir atentamente as instruções de implementação e manutenção.

O instalador é responsável pela instalação do produto e deve seguir todas as instruções do fabricante presentes nesta manual e os regulamentos em aplicação. A instalação incorrecta implica a exclusão da totalidade da garantia.

O fabricante declina qualquer responsabilidade pelos danos causados a pessoas, objetos ou erros devidos à não conformidade com as instruções do manual. Qualquer uso imprevisto e não planeado pelo fabricante, é classificado como perigoso.

# 1. Especificações

## 1.1 Dados técnicos Bombas de calor

Modelo	HPM20	HPM30	HPM40
Code	71245	71258	71606
<b>* Desempenho no ar 28 °C, água 28 °C, umidade 80%</b>			
Capacidade de aquecimento (kW)	2.5	4.2	5.5
Entrada de energia (kW)	0.59	1	1.31
COP	4.2	4.2	4.2
<b>* Desempenho no ar 15 °C, água 26 °C, umidade 70%</b>			
Saída de calor (kW)	1.9	3.2	4.2
Entrada de energia (kW)	0.56	0.91	1.2
COP	3.4	3.5	3.5
<b>* Dados gerais</b>			
Tensão (V)	220-240V~50Hz/1PH		
Corrente nominal (A)	2.6	4.4	5.8
Corrente do fusível (A)	7.5	10	16
Volume máximo da piscina ** (m3)	<20	<30	<40
Caudal de água mínimo e recomendado (m3/h)	2	2	2.5
Pressão máxima / mínima de operação (Mpa)	4.2/0.05		
Pressão da água (Kpa)	15	15	15
Trocador de calor	Titanium exchanger in PVC		
Protection rating	IPX4		
Water Pipe in-out (mm)	38/32		
Nível de ruído a 10m	48 dB(A)	46 dB(A)	46 dB(A)
Nível de ruído a 1m	57 dB(A)	55 dB(A)	55 dB(A)
Refrigerante (R32)	160g	290g	400g
<b>* Dimensão e peso</b>			
Peso líquido (kg)	18	26	30
Peso bruto(kg)	19	28.5	33
Dimensão da rede (mm)	313*364.5*428.5	435*436.5*511.5	515*487*541.5
Dimensão da Embalagem (mm)	380*455*500	496*525*575	570*570*605

\* Os dados acima estão sujeitos a modificação sem aviso prévio.

\*\* Check our packaging or website for more detail

## 2. Recomendações para transporte

### 2.1 Entrega da embalagem



Para o transporte, as bombas de calor são fixadas na palete e cobertas com uma caixa de papelão.

Para preservar de qualquer dano, a bomba de calor deve ser transportada na sua embalagem.

Todo o material, mesmo que o transporte seja devido ao fornecedor, pode ser danificado durante o seu encaminhamento ao cliente e é da responsabilidade do destinatário certificar-se da correspondência da entrega.

Na recepção da embalagem o destinatário deve registar todas as reservas na recepção na nota de entrega da transportadora, se notar que existem danos na embalagem. **NÃO SE ESQUEÇA DE CONFIRMAR POR CARTA REGISTRADA AO TRANSPORTADOR NUM PRAZO DE ATÉ 48 HORAS.**

### 2.2 Recomendações para armazenagem



\* O armazém deve ser iluminado, espaçoso, aberto, bem ventilado, com equipamento de ventilação e sem fonte de incêndio.

\* A bomba de calor deve ser armazenada na embalagem original e transportada verticalmente. Se não for este o, não pode ser operada imediatamente, é necessário um mínimo de 24 horas antes da energia ser ligada.

#### PROIBIDO



### 2.3 Transferir para a posição final

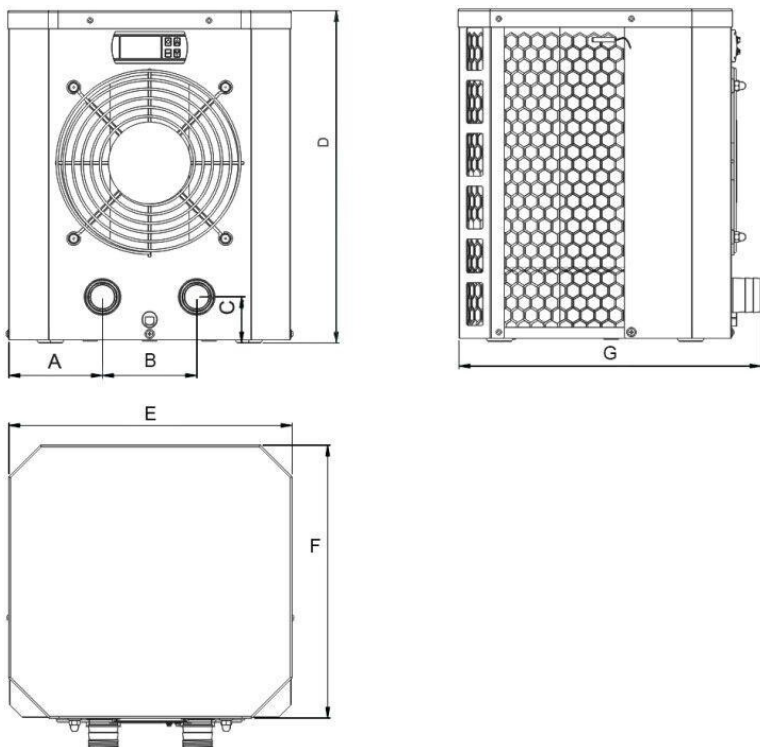
\* Durante a desembalagem do produto e a transferência do seu palete de origem para o local final, é necessário manter a posição vertical da bomba de calor.

\* Fumar e o uso de chamas são proibidos perto da máquina R32.

\* A ligação da água não está lá para garantir a função do manípulo, pelo contrário, o suporte do peso da bomba de calor na ligação da água danifica definitivamente o produto. **O fabricante não assume responsabilidade em caso de danos.**



### 3. Dimensão



Modelo / (mm)	A	B	C	D	E	F	G
<b>HPM20</b>	90.4	130	50	428.5	313	300	364.5
<b>HPM30</b>	116.5	200	50	511.5	435	365	436.5
<b>HPM40</b>	134.6	260	50	541.5	515	421	487

## 4. Instalação e conexões hidráulicas

### **Atenção:**

Observe as seguintes regras ao instalar a bomba de calor:

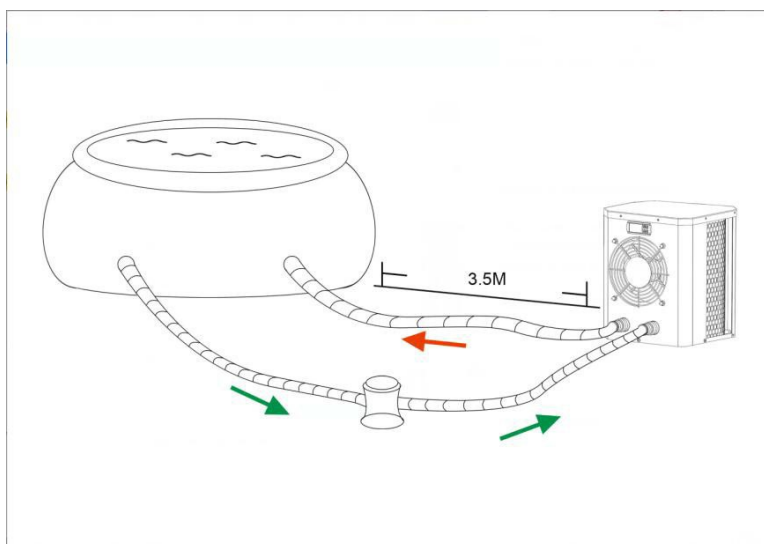
1. Qualquer adição de produtos químicos , só deve ter lugar na tubagem situada a jusante da bomba de calor.
2. Mantenha sempre a bomba de calor na posição vertical. Se a unidade tiver sido mantida em ângulo, aguarde pelo menos 24 horas antes de iniciar a bomba de calor.

### 4.1 Localização da bomba de calor

A unidade funcionará adequadamente em qualquer local desejado, desde que os três itens a seguir estejam presentes:

- 1. Ar fresco – 2. Eletricidade – 3. Filtros de piscina**

A unidade pode ser instalada em praticamente qualquer local externo, desde que as distâncias mínimas especificadas para outros objetos sejam mantidas (veja o desenho abaixo). Por favor, consulte o seu instalador para a instalação com uma piscina interior. Instalação em um local ventoso não apresenta qualquer problema em tudo, ao contrário da situação com um aquecedor a gás (incluindo problemas chama piloto).



**ATENÇÃO:** Nunca instale a unidade numa sala fechada com um volume de ar limitado no qual o ar expulso da unidade será reutilizado, ou perto de arbustos que possam bloquear a entrada de ar. Tais locais prejudicam o fornecimento contínuo de ar fresco, resultando em eficiência reduzida e, possivelmente, impedindo a produção de calor suficiente.

### 4.2 Operação inicial

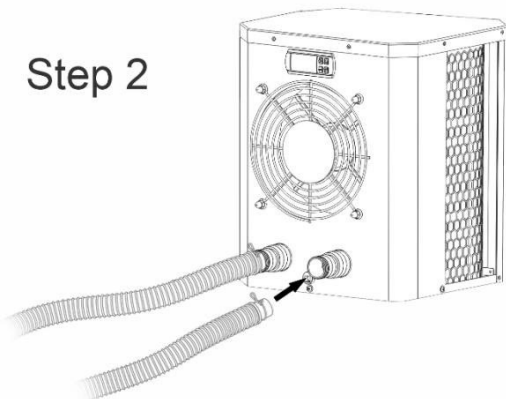
**Nota:** Para aquecer a água da piscina (ou da banheira de hidromassagem), a bomba filtro deve estar a funcionar de forma a fazer circular a água através da bomba de calor. Se a água não estiver fluindo, a bomba de calor acionará a proteção contra superaquecimento e causará o desligamento.

### 4.3 Ligação da Mangueira

Step 1



Step 2



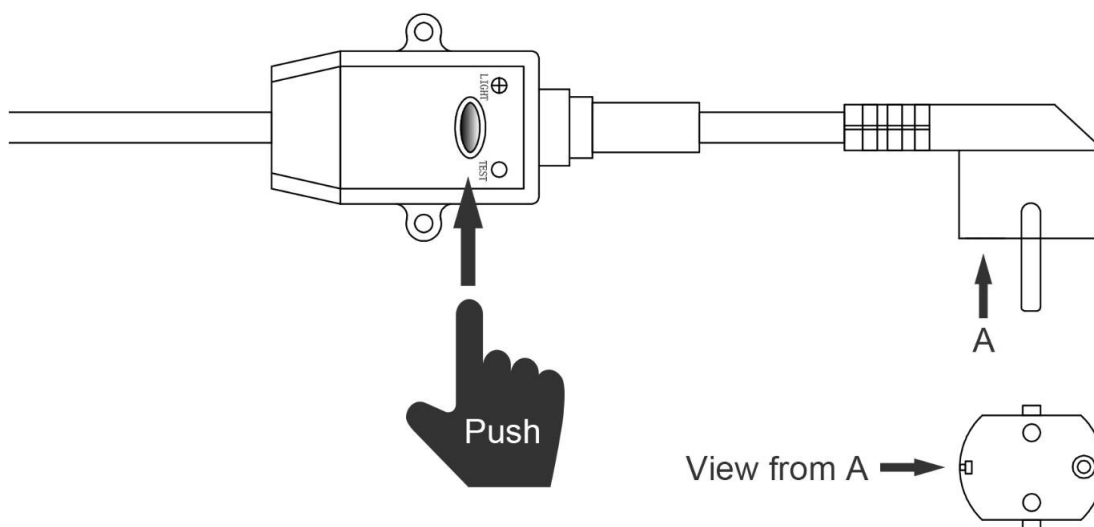
#### Notas:

A fábrica fornece apenas a bomba de calor. Todos os outros componentes, incluindo duas mangueiras, devem ser fornecidos pelo usuário ou pelo instalador.


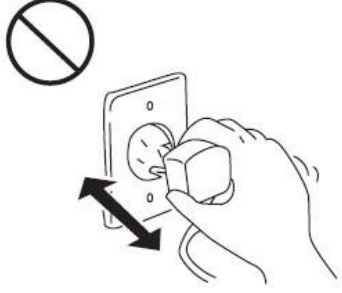
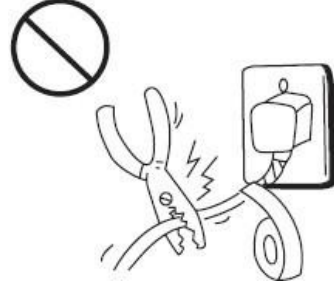
### 4.4 Ligação eléctrica

Antes de ligar a unidade, verifique se a tensão de alimentação corresponde à tensão de funcionamento da bomba de calor.

A ficha RCD foi incluída com o cabo de alimentação, que pode oferecer proteção elétrica. O botão de teste serve para verificar a capacidade do disjuntor.



## Atenção:

<p><b>Certifique-se de que a ficha de energia esteja segura</b></p> <p>Se a ficha não estiver segura, poderá causar um choque eléctrico, sobreaquecimento ou incêndio</p> 	<p><b>Nunca retire a ficha de energia durante a operação</b></p> <p>Caso contrário, pode causar choque eléctrico ou incêndio devido ao superaquecimento.</p> 	<p><b>Nunca use fios eléctricos danificados ou fios eléctricos não especificados.</b></p> <p>Caso contrário, pode causar choque eléctrico ou incêndio.</p> 
---	--	--

Depois de todas as conexões terem sido feitas e verificadas, execute o seguinte procedimento:

1. Ligar a bomba do filtro. Verifique se há vazamentos e verifique se a água está fluindo de e para a piscina.
2. Ligue a alimentação à bomba de calor e pressione o botão On / Off no painel de controle electrónico. A unidade será inicializada após o término do tempo de espera (veja abaixo).
3. Após alguns minutos, verifique se o ar soprado para fora da unidade está mais frio.
4. Quando desligar a bomba do filtro, a unidade também deve desligar automaticamente, se não, então ajuste o interruptor de fluxo.
5. Deixe a bomba de calor e a bomba do filtro funcionarem 24 horas por dia até atingir a temperatura desejada da água. A bomba de calor pára de funcionar neste ponto. Depois disso, ele será reiniciado automaticamente (enquanto a bomba do filtro estiver funcionando) sempre que a temperatura da água da piscina cair 2 graus abaixo da temperatura definida.

Dependendo da temperatura inicial da água na piscina e da temperatura do ar, pode levar vários dias para aquecer a água até a temperatura desejada. Uma boa cobertura da piscina pode reduzir drasticamente o tempo necessário.

**Time delay** - A bomba de calor tem um atraso de arranque de 3 minutos para proteger os circuitos e evitar o desgaste excessivo do contacto. A unidade será reiniciada automaticamente após este tempo de espera expirar. Mesmo uma breve interrupção de energia irá disparar este atraso de tempo e impedir que a unidade reinicie imediatamente. Interrupções de energia adicionais durante este período de atraso não afetam a duração de 3 minutos do atraso.

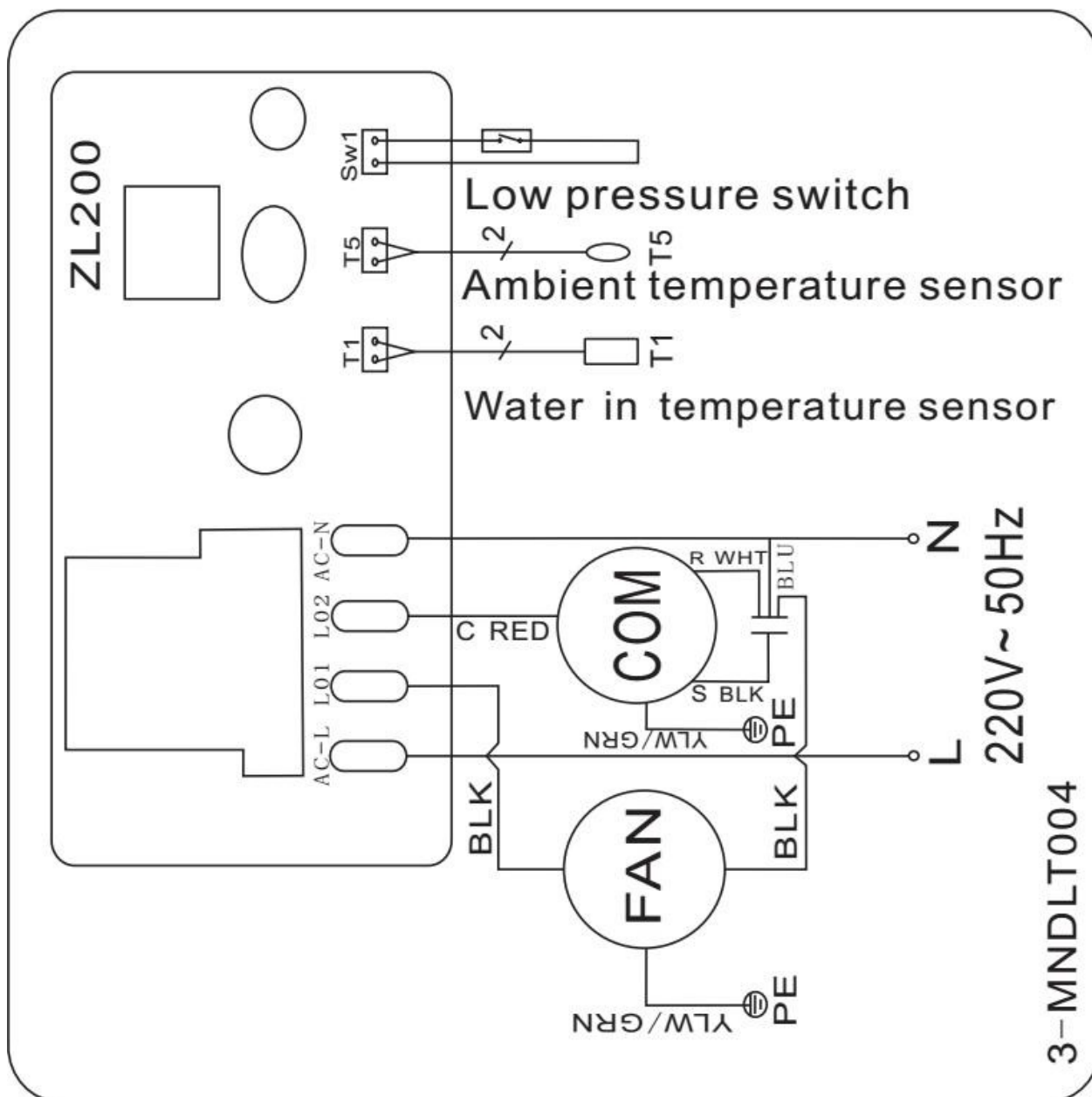
### **4.5 Condensação**

O ar aspirado para dentro da bomba de calor é fortemente arrefecido pela operação da bomba de calor para aquecer a água da piscina, o que pode causar condensação nas aletas do evaporador. A quantidade de condensação pode ser de até vários litros por hora a uma humidade relativa elevada. Isso às vezes é considerado equivocadamente como um vazamento de água.

## 5. Esquemas eléctricos

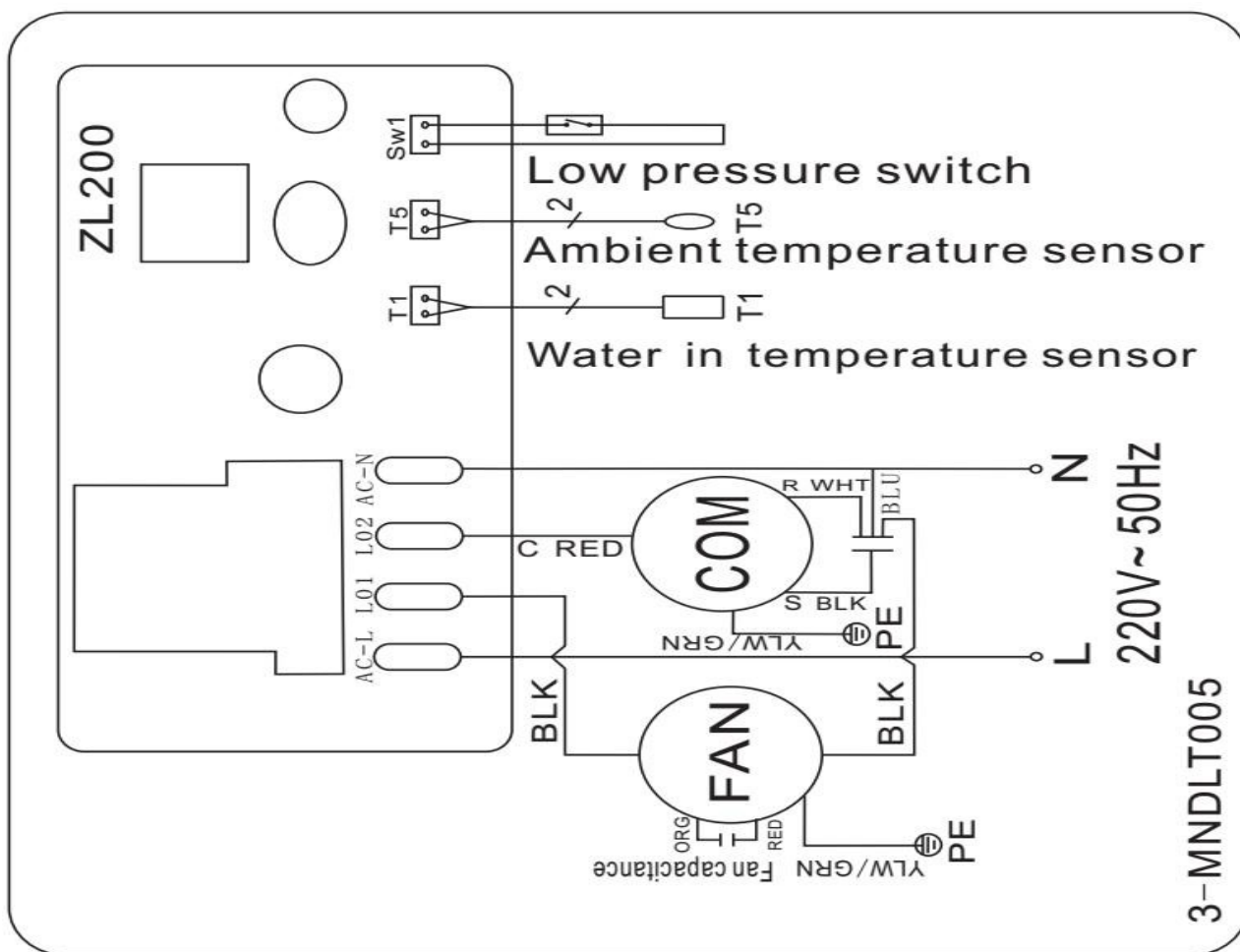
### 5.1 DIAGRAMA ELÉCTRICO DA BOMBA DE CALOR DA PISCINA

Code; HPM20



## 5.2 DIAGRAMA ELÉCTRICO DA BOMBA DE CALOR DA PISCINA

Code; HPM30/HPM40



### NOTA:

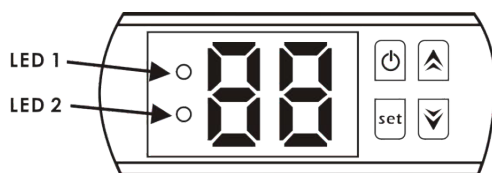
(1) O diagrama eléctrico é apenas para referência.

(2) A bomba de calor da piscina deve estar bem aterrada, mesmo que o permutador de calor esteja electricamente isolado do resto da unidade. O aterramento é importante para proteger de curto-circuitos que ocorram dentro da unidade. A colagem também é necessária.

**Desligar:** Os meios de desconexão (disjuntor, fusível ou fusível sem fusível) devem estar localizados à vista e facilmente acessíveis a partir da unidade. Esta é uma prática comum em bombas de calor comerciais e residenciais. Que protege contra o accionamento de unidades autónomas e permite que a unidade seja desligada enquanto está sendo usada.

## 6. Operação do Controlador de Display

### 6.1 Os botões do controlador de fio LED





Quando a bomba de calor está em funcionamento, o visor LED mostra a temperatura da água de entrada.

O LED 1 está ligado quando o compressor está funcionando.



O LED 2 está ligado se estiver com problemas.



### 6.2 Iniciar ou parar a bomba de calor

Pressione  para iniciar a unidade de bomba de calor, o visor LED mostra a temperatura da água desejada por 5 segundos, em seguida, mostra a temperatura da água de entrada.

Pressione  para parar a bomba de calor.

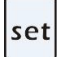




### 6.3 Ajuste da temperatura da água

Pressione  ou  para ajustar a temperatura da água desejada. (10—42 °C)

Pressione  ou  para salvar a configuração e sair.

Nota: a bomba de calor pode funcionar apenas se o sistema de circulação / círculo de água estiver em funcionamento.

### 6.4 Como verificar os parâmetros

Pressione , entrará na verificação de parâmetro, pressione  ou  escolher o código d0 / d1, pressione , mostrará o valor medido. No fim, pressione  para sair.

Código	Parâmetro
d0	Temperatura ambiente
d1	Temperatura da água

**Aviso:** não é possível definir os dados do parâmetro por usuários finais.

## 7. Solução de problemas

### 7.1 Indicação de código de erro no controlador de LED

Mau funcionamento	Erro de código	Razão	Solução
Proteção de temperatura ambiente muito baixa	P0	1. A temperatura ambiente está abaixo de 12 °C 2. Falha do controlador.	1. Espere a temperatura ambiente subir para 13 °C. 2. Substitua o novo controlador.
Falha no sensor de temperatura da água	P1	Circuito aberto do sensor de temperatura da água ou curto-circuito.	Substitua o novo sensor de temperatura da água.
Falha do sensor de temperatura ambiente	P2	Circuito aberto do sensor de temperatura ambiente ou curto-circuito.	Substitua o novo sensor de temperatura ambiente.
Proteção de baixa pressão	EL	1. Interruptor de pressão 1. Low desconectado ou falha. 2. Vazamento de gás.	Deve ser reparado por técnicos profissionais.

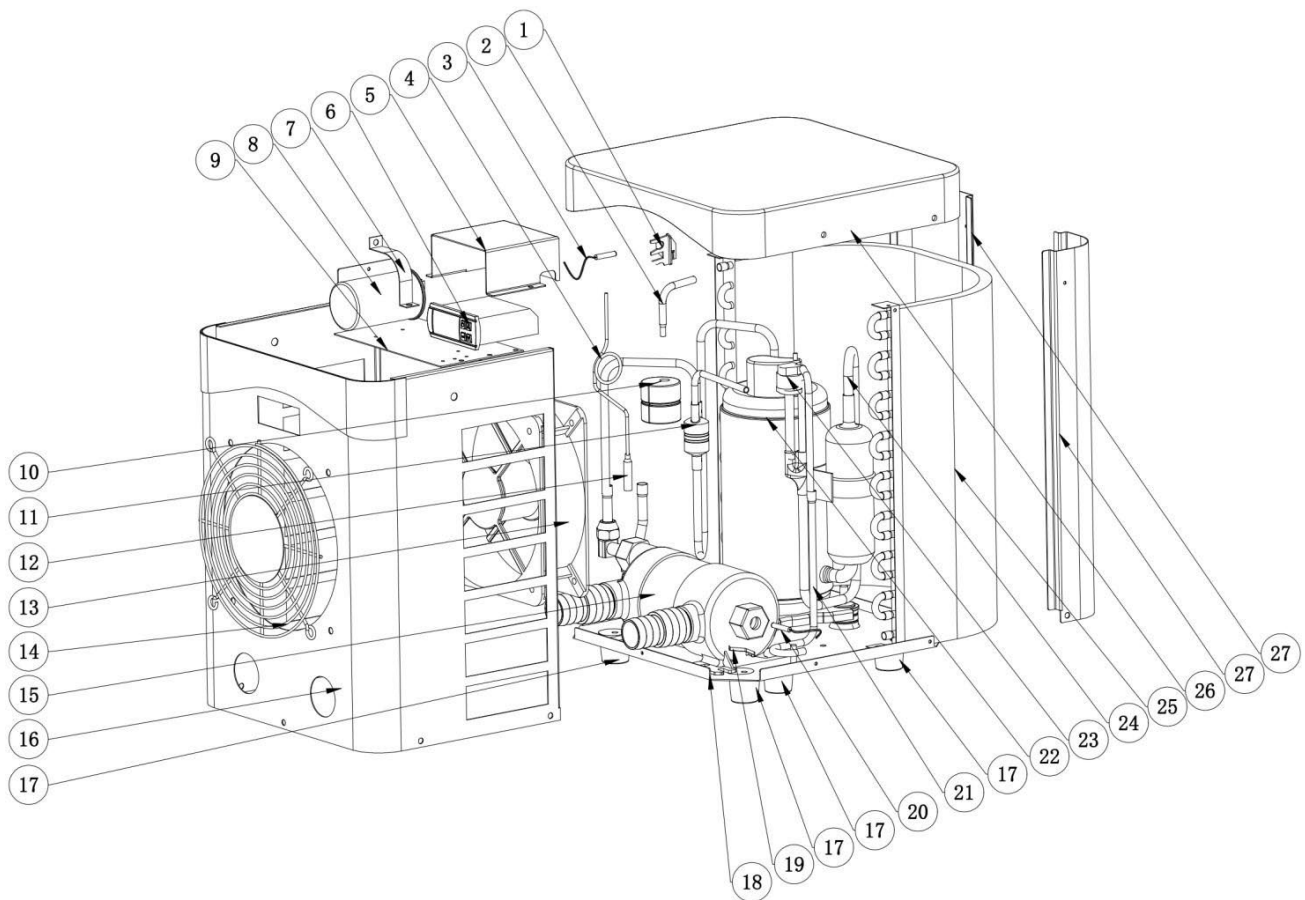


## 7.2 Outras Falhas e Soluções (Nenhuma indicação no controlador de LED)

Mau funcionamento	Observando	Razão	Solução
Bomba de calor não está funcionando	Controlador LED sem display.	Sem fonte de alimentação	Verifique o cabo e o disjuntor se ele estiver conectado.
	O controlador LED exibe a temperatura real da água	<ol style="list-style-type: none"> <li>1. Temperatura da água está chegando ao valor de ajuste, HP sob status de temperatura constante.</li> <li>2. A bomba de calor apenas começa a funcionar.</li> </ol>	<ol style="list-style-type: none"> <li>1. Verifique o ajuste da temperatura da água.</li> <li>2. Bomba de calor de partida após alguns minutos.</li> </ol>
Corrida curta	O diodo emissor de luz indica a temperatura real da água, nenhum código de erro.	<ol style="list-style-type: none"> <li>1. Ventilador NÃO funcionando.</li> <li>2. Ventilação do ar não é suficiente.</li> <li>3. Refrigerante não é suficiente.</li> </ol>	<ol style="list-style-type: none"> <li>1. Verifique as ligações dos cabos entre o motor eo ventilador, se necessário, deve ser substituído.</li> <li>2. Verifique a localização da unidade de bomba de calor e elimine todos os obstáculos para uma boa ventilação do ar.</li> <li>3 Substitua ou repare a bomba de calor.</li> </ol>
Manchas de água	Manchas de água na bomba de calor.	<ol style="list-style-type: none"> <li>1. Concretagem.</li> <li>2. Fuga de água.</li> </ol>	<ol style="list-style-type: none"> <li>1. Nenhuma ação.</li> <li>2. Verifique o permutador de calor de titânio com cuidado se for algum defeito.</li> </ol>

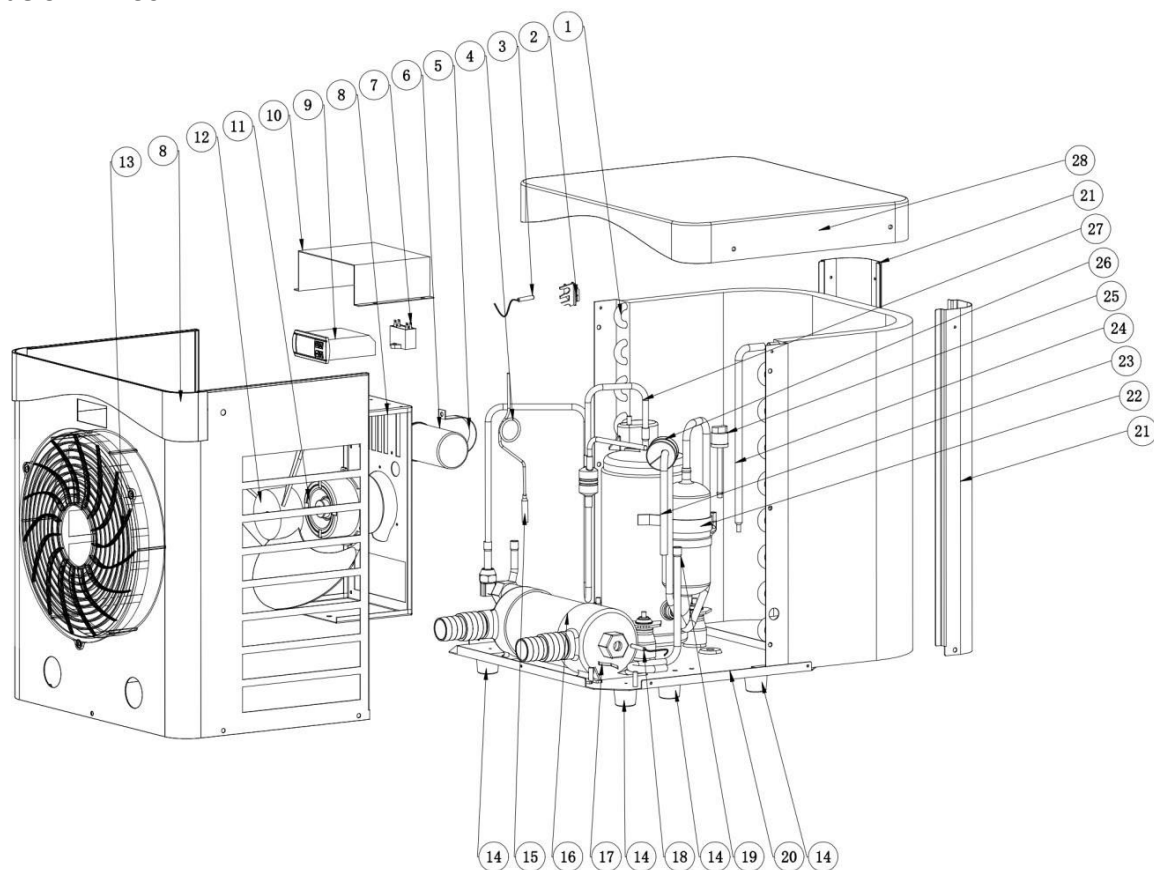
## 8. Diagrama Explodido

Modelo: HPM20



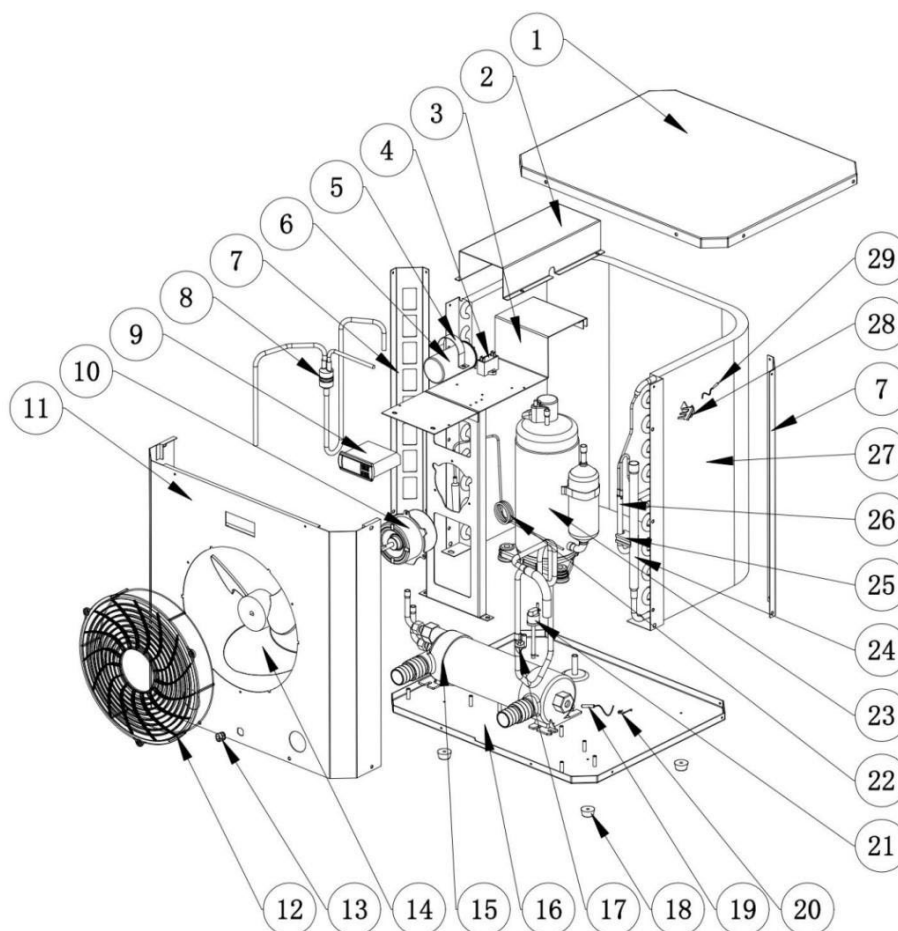
No.	Nome das partes	HPM20	No.	Nome das partes	HPM20
1	Clipe do sensor de temperatura	102040891	15	Permutador de titânio	102040891
2	Tubo de cobre	108680047	16	Painel frontal	108680047
3	Temperatura ambiente. Sensor T5	136020168	17	Pés de borracha	136020168
4	Capilar	108680045	18	Base	108680045
5	Caixa elétrica	108010025	19	Grampo	108010025
6	Controlador	117110068	20	Água em temp. Sensor T1	117110068
7	Capacitância Compressor Clip	113050123	21	Tubo coletor de gás	113050123
8	Capacitância do Compressor	101000233	22	Compressor	101000233
9	Placa superior do motor do ventilador	116000091	23	Interruptor de baixa pressão	116000091
10	Martelo de borracha à prova de choque	113010300	24	Tubo de escape	113010300
11	Tubulação de retorno de gás	103000236	25	Evaporador	103000236
12	Tubo de cobre	133400001	26	Tampa superior	133400001
13	Montagem do motor do ventilador	108680046	27	Pilar	108680046
14	Grelha frontal				

**Modelo: HPM30**



No.	Nome das partes	HPM30	No.	Nome das partes	HPM30
1	Evaporador	103000237	15	Tubo de cobre	113100027
2	Clipe do sensor de temperatura	133020010	16	Permutador de titânio	102040900
3	Temperatura ambiente. sensor T5	117110079	17	Grampo	108010025
4	Capilar	109000038	18	Água em temp. sensor T1	117110068
5	Capacitância Compressor clip	108010006	19	Tubo coletor de gás	113050125
6	Capacitância do Compressor	111000011	20	Base	108690033
7	Capacitor do ventilador	111000034	21	Pilar	108690048
8	Montagem do painel frontal	108690047	22	Compressor	101000232
9	Controlador	117020189	23	Tubulação de retorno de gás	113020467
10	Caixa elétrica	108690015	24	Tubo de cobre	113420129
11	Motor de ventilador	112000054	25	Interruptor de baixa pressão	116000091
12	Lâmina da ventoínha	132000024	26	Martelo de borracha à prova de	136020026
13	Grelha frontal	133020052	27	Tubo de escape	113010351
14	Pés de borracha	136020168	28	Tampa superior	133330004

**Modelo: HPM40**



No.	Nome das partes	HPM40	No.	Nome das partes	HPM40
1	Tampa superior	108950004	16	Base	108950001
2	Caixa elétrica	108950006	17	Tubulação de retorno de gás	113020602
3	Suporte do motor do ventilador	108950005	18	Pés de borracha	136020141
4	Capacitor do ventilador	111000034	19	Água em temp. sensor T1	117110068
5	Capacitância Compressor clip	108010006	20	Clipe do sensor de temperatura do permutador	108010025
6	Capacitância do Compressor	111000012	21	Interruptor de baixa pressão	116000091
7	Pilar	108950003	22	Capilar	109000038
8	Tubo de escape	113020624	23	Compressor	101000210
9	Controlador	117020165	24	Tubo coletor de gás	103000343
10	Motor de ventilador	112000079	25	Borracha	136020005
11	Montagem do painel frontal	108950002	26	Tubulação de distribuição	103000343
12	Grelha frontal	133020052	27	Evaporador	103000343
13	Fivela do cabo de alimentação	142000126	28	#N/A	133020010
14	Lâmina da ventoíinha	132000024	29	Temperatura ambiente. Sensor T5	117110079
15	Permutador de titânio	117020363			

## 9. Manutenção

(1) Deve verificar o sistema de abastecimento de água regularmente para evitar o ar que entra no sistema e ocorrência de baixo fluxo de água, porque iria reduzir o desempenho e a confiabilidade da unidade HP.

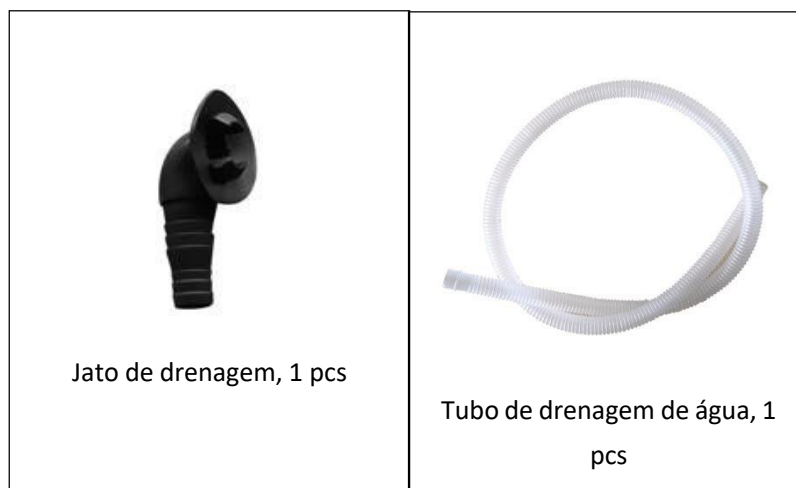
(2) Limpe regularmente as piscinas e o sistema de filtragem para evitar danos à unidade, devido à acumulação de sujeira e entupimento do filtro.

(3) Esvazie sempre a água da bomba de calor durante o inverno ou quando a temperatura ambiente cair abaixo de 0 °C, caso contrário, o trocador de titânio será danificado por estar congelado, nesse caso, sua garantia será perdida.

(4) Do mesmo modo, deve verificar se a unidade está cheia de água antes que a unidade comece a funcionar novamente.

(5) Quando a unidade está funcionando, é normal que sai um pouco de água na parte de baixo resultante da condensação..

## 10. Acessórios



## PT - CERTIFICADO DE GARANTIA

### 1 CONDIÇÕES GERAIS

- De acordo com estas disposições, o vendedor garante que, no momento da entrega, o produto correspondente a esta garantia (“o Produto”) não apresenta nenhum tipo de falta de conformidade.
- O Período de Garantia para o Produto é de dois (2) anos, contados a partir da data de entrega ao comprador. 1.3 Se, durante o período de garantia, o comprador notificar ao vendedor alguma falta de conformidade do Produto, o vendedor deverá reparar ou substituir o Produto por sua conta no lugar onde considerar conveniente, salvo que isso seja impossível ou desmesurado.
- Quando não for possível reparar ou substituir o Produto, o comprador poderá solicitar uma redução proporcional do preço ou, se a falta de conformidade for o suficientemente grave, a rescisão do contrato devenda.
- As partes substituídas ou reparadas em virtude desta garantia não ampliarão o período de garantido Produto original, mas disporão da sua própria garantia.
- Para que a presente garantia tenha efeito, o comprador deverá apresentar o comprovante da data de compra e de entrega do Produto.
- Se o comprador alegar uma falta de conformidade do Produto, passados mais de seis meses da data de entrega do mesmo, deverá demonstrar a origem e a existência do defeito alegado.
- O presente Certificado de Garantia não limita nem afecta os direitos dos consumidores derivados das normas nacionais de carácter imperativo.

### 2 CONDIÇÕES PARTICULARES




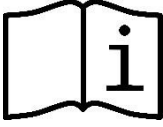
- A presente garantia cobre os produtos descritos neste manual.
- O presente Certificado de Garantia só será válido nos países da União Europeia.
- Para a eficácia desta garantia, o comprador deverá seguir rigorosamente as indicações do Fabricante contidas na documentação fornecida com o Produto, quando a mesma for aplicável em função da gama e do modelo do Produto.
- No caso de se estabelecer um calendário para a substituição, manutenção ou limpeza de determinadas peças ou componentes do Produto, a garantia só será válida se o citado calendário tiver sido cumprido rigorosamente.

### 3 LIMITAÇÕES

- A presente garantia só será válida para as vendas realizadas a consumidores, entendendo-se por “consumidor” a pessoa que comprar o Produto com fins não abrangidos no âmbito da sua actividade profissional.
- A garantia não cobre o desgaste normal derivado do uso do produto. Em relação às peças, componentes e/ou materiais fungíveis ou consumíveis como pilhas, lâmpadas, etc., terá efeito o disposto na documentação fornecida com o Produto, em cada caso.
- Esta garantia não abrange as seguintes situações: (I) Se o Produto tiver sido objecto de um uso incorrecto;

(II) tiver sido reparado, sofrido manutenção ou manipulado por pessoas não autorizadas ou (III) tiver sido reparado ou as suas peças substituídas por peças não originais. Quando a falta de conformidade do Produto for consequência de uma instalação ou colocação em funcionamento incorrecta, a presente garantia só será válida se a referida instalação ou colocação em funcionamento estiver incluída no contrato de compra-venda do Produto e tiver sido realizada pelo vendedor ou sob sua responsabilidade

 **OSTRZEŻENIA**

	<p>Ten symbol oznacza, że więcej informacji jest dostępnych w Instrukcji obsługi lub w Instrukcji instalacji.</p>		<p>Ten symbol wskazuje, że urządzenie wykorzystuje czynnik chłodniczy R32, o niskiej prędkości spalania.</p>
	<p>Ten symbol oznacza, że należy uważnie przeczytać instrukcję obsługi.</p>		<p>Ten symbol oznacza, że technik konserwacji musi przeprowadzić odpowiednie prace dotyczące tego urządzenia zgodnie z Instrukcją obsługi.</p>

**OSTRZEŻENIA OGÓLNE**

- Nieprzestrzeganie ostrzeżeń może spowodować uszkodzenie sprzętu w basenie, a także poważne obrażenia lub śmierć.
- Tylko osoba wykwalifikowana w zakresie odpowiednich dziedzin techniki (elektryczność, hydraulika lub chłodnictwo) jest upoważniona do przeprowadzania prac konserwacyjnych lub napraw urządzenia. Wykwalifikowany technik pracujący przy urządzeniu musi używać/nosić osobiste wyposażenie ochronne (takie jak okulary ochronne, rękawice ochronne itp.), aby zmniejszyć ryzyko obrażeń, które mogą wystąpić podczas wykonywania prac przy urządzeniu.
- Przed rozpoczęciem pracy należy upewnić się, że urządzenie zostało wyłączone, a jego zasilanie jest zablokowane.
- To urządzenie nie jest przeznaczone do użytku przez osoby (w tym dzieci w wieku 8 lat i starsze), które nie mają odpowiedniego doświadczenia lub których zdolności fizyczne, sensoryczne lub umysłowe są ograniczone, z wyjątkiem: jeżeli jest używane pod nadzorem osoby odpowiedzialnej za ich bezpieczeństwo lub która przekazała im odpowiednie wskazówki dotyczące obsługi urządzenia; jeśli rozumieją ryzyko związane z obsługą urządzenia.
  - Należy nadzorować dzieci, aby upewnić się, że nie bawią się urządzeniem.
- Instalacja urządzenia musi być wykonana zgodnie z instrukcjami producenta oraz obowiązującymi normami lokalnymi i krajowymi. Instalator jest odpowiedzialny za instalację urządzenia i przestrzeganie krajowych przepisów instalacyjnych. W żadnym wypadku producent nie może być pociągnięty do odpowiedzialności za jakiegokolwiek nieprzestrzeganie lokalnych norm instalacyjnych.
- W przypadku innych czynności niż opisane w tej instrukcji proste prace konserwacyjne wykonywane przez użytkownika, produkt musi być serwisowany przez wykwalifikowanego specjalistę.
- Niewłaściwa instalacja i/lub użytkowanie może doprowadzić do poważnego uszkodzenia mienia lub obrażeń ciała (również śmiertelnych),
- Jeśli urządzenie działa wadliwie, nie należy podejmować prób samodzielnej naprawy urządzenia, ale skontaktować się z wykwalifikowanym technikiem.
- Każda dezaktywacja, usunięcie lub obejście jakiegokolwiek wbudowanej funkcji zabezpieczającej powoduje automatyczne unieważnienie gwarancji, podobnie jak i użycie części zamiennych pochodzących od nieautoryzowanego producenta zewnętrznego.
- Nie należy rozpylać na urządzenie jakiegokolwiek środka owadobójczego ani innych substancji chemicznych (łatwopalnych lub niepalnych), ponieważ może to spowodować uszkodzenie obudowy i pożar.
- Nie dotykać wentylatora ani ruchomych części i nie trzymać żadnych przedmiotów ani palców w pobliżu ruchomych części podczas pracy urządzenia. Ruchome części mogą spowodować poważne obrażenia lub śmierć.

### **OSTRZEŻENIA DOTYCZĄCE URZĄDZEŃ ELEKTRYCZNYCH**

- Zasilanie urządzenia musi być chronione przez specjalne urządzenie różnicowoprądowe o wartości 30 mA, zgodnie z przepisami obowiązującymi w raju instalacji.
- Nie używaj przedłużacza do podłączania urządzenia – podłącz urządzenie bezpośrednio do odpowiedniego obwodu zasilania.
- Przed każdą pracą sprawdź, czy:
  - Napięcie wskazane na tabliczce znamionowej urządzenia odpowiada napięciu w sieci zasilania,
  - Sieć zasilania jest odpowiednia dla użytkowania urządzenia i jest wyposażona w uziemienie,
  - Wtyczka zasilania (jeśli dotyczy) pasuje do gniazdka elektrycznego.
- Nie należy odłączać i nie podłączać ponownie urządzenia podczas pracy.
- Nie ciągnij za kabel zasilający, aby go odłączyć.
- Jeśli przewód zasilający jest uszkodzony, w celu uniknięcia zagrożenia musi on obowiązkowo zostać wymieniony na nowy przez producenta, jego autoryzowanego technika lub osobę o podobnych kwalifikacjach.
- Nie wolno wykonywać prac naprawczych lub konserwacyjnych mokrymi rękami lub gdy urządzenie jest mokre.
- Przed podłączeniem urządzenia do źródła zasilania sprawdź, czy listwa zaciskowa lub gniazdko elektryczne, do którego urządzenie zostanie podłączone, znajduje się w dobrym stanie i nie jest uszkodzone ani zardzewiałe.
- W czasie burzy odłącz urządzenie od zasilania, aby zapobiec uszkodzeniu przez uderzenie pioruna.
- Nie zanurzaj urządzenia w wodzie lub błocie ; trzymaj wyłącznik z dala od wody.

### **OSTRZEŻENIA DOTYCZĄCE URZĄDZEŃ ZAWIERAJĄCYCH CZYNNIK CHŁODNICZY R32**

- Czynnik chłodniczy R32 jest czynnikiem chłodniczym kategorii A2L, uważanym za potencjalnie łatwopalny.
- Płyn R32 lub R410A nie może być odprowadzany do otoczenia. Płyn ten to fluorowany gaz cieplarniany objęty protokołem z Kioto, o globalnym potencjale grzewczym (GWP) = 675 w przypadku (patrz przepisy europejskie WE 517/2014).
- Urządzenie należy przechowywać w dobrze wentylowanym miejscu, z dala od źródeł ognia.
- Urządzenie powinno zostać zainstalowane na wolnym powietrzu. Nie instaluj urządzenia w pomieszczeniu zamkniętym lub na zewnątrz w miejscu zamkniętym i nieprzewietrzanym.
- Nie należy używać środków przyspieszających proces odszraniania lub czyszczenia, innych niż zalecane przez producenta.
- Podczas ciągłego funkcjonowania, urządzenie musi być przechowywane w pomieszczeniu niezawierającym żadnych źródeł iskier (na przykład: otwarty płomień, działające urządzenie gazowe lub działające ogrzewanie elektryczne).
- Nie przekłuwać ani nie spalać.
- Należy pamiętać, że czynnik chłodniczy R32 może wydzielać określony zapach.
- Aby zapewnić zgodność z odpowiednimi normami i przepisami dotyczącymi środowiska oraz instalacji, a w szczególności z francuskim rozporządzeniem nr 2015-1790 i/lub rozporządzeniem europejskim UE 517/2014, szczelność obwodu chłodniczego musi być sprawdzana co najmniej raz w roku. Czynność ta musi być przeprowadzana przez specjalistę certyfikowanego w dziedzinie urządzeń chłodniczych.
- Kontroler wyświetlacza należy przechowywać w suchym miejscu, aby chronić kontroler wyświetlacza przed uszkodzeniem przez wilgoć.

### **KONSERWACJA: OSTRZEŻENIA DOTYCZĄCE URZĄDZEŃ ZAWIERAJĄCYCH CZYNNIK CHŁODNICZY R32**

- Podczas fazy konserwacji urządzenia należy sprawdzić skład i stan płynu chłodniczego, a także brak



jakichkolwiek śladów wycieku czynnika chłodniczego.

- Podczas corocznej kontroli szczelności urządzenia, zgodnie z obowiązującymi przepisami należy sprawdzić, czy przełączniki wysokiego i niskiego ciśnienia są prawidłowo podłączone do obwodu chłodniczego i czy w przypadku wyzwolenia odcinają obwód elektryczny.
- Podczas fazy konserwacji należy upewnić się, że wokół elementów chłodniczych nie ma śladów korozji ani plam oleju.
- Nie lutować ani nie spawać rury, jeśli wewnątrz maszyny znajduje się czynnik chłodniczy. Prosimy nie ładować gazu w ograniczonej przestrzeni.

#### ***Sprawdzenie obszaru***

- Przed rozpoczęciem jakichkolwiek prac dotyczących układów zawierających łatwopalne czynniki chłodnicze konieczne jest przeprowadzenie kontroli bezpieczeństwa w celu ograniczenia ryzyka iskrzenia.

#### ***Procedura robocza***

- Prace należy wykonywać zgodnie z kontrolowaną procedurą w celu zmniejszenia ryzyka uwolnienia łatwopalnego gazu lub pary podczas pracy.
- Przed rozpoczęciem jakichkolwiek prac dotyczących obwodu chłodniczego należy koniecznie wyłączyć urządzenie i poczekać kilka minut przed zainstalowaniem czujników temperatury lub ciśnienia - niektóre urządzenia, takie jak sprężarka i rury, mogą osiągnąć temperaturę powyżej 100°C i wysokie ciśnienie, co może być przyczyną poważnych oparzeń.

#### ***Ogólny obszar roboczy***

- Wszyscy pracownicy działu konserwacji i inne osoby pracujące w pobliskim obszarze muszą zostać poinformowane o prowadzonych pracach. Należy unikać pracy w przestrzeniach zamkniętych.

#### ***Sprawdzenie obecności czynnika chłodniczego***

- Obszar musi zostać sprawdzony za pomocą odpowiedniego detektora czynnika chłodniczego przed i podczas pracy, aby technik został ostrzeżony o obecności atmosfery potencjalnie toksycznej lub łatwopalnej. Należy upewnić się, że używany sprzęt do wykrywania wycieków jest odpowiedni dla wszystkich stosowanych odnośnych czynników chłodniczych, co oznacza, że nie może powodować iskrzenia, jest odpowiednio izolowany lub całkowicie bezpieczny.

#### ***Obecność gaśnicy***

- Jeżeli przy sprzęcie chłodniczym lub jakiegokolwiek części z nim związanej mają być wykonywane prace wymagające wysokiej temperatury, odpowiedni sprzęt gaśniczy musi być łatwo dostępny. W pobliżu miejsca pracy należy zainstalować gaśnicę proszkową lub CO<sub>2</sub>.

#### ***Brak źródeł zapłonu***

- Żadna osoba wykonująca przy układzie chłodniczym jakiegokolwiek prace wymagające odstąpienia przewodów rurowych nie może używać źródeł iskiek, które mogłyby stanowić ryzyko pożaru lub wybuchu. Wszystkie możliwe źródła iskiek, w tym papierosy, powinny znajdować się wystarczająco daleko od miejsca instalacji, prac naprawczych, dotyczących wymiany lub usuwania elementów, jeśli czynnik chłodniczy może zostać uwolniony do otaczającej przestrzeni. Przed rozpoczęciem prac należy sprawdzić obszar wokół urządzenia, aby upewnić się, że nie stwarza on ryzyka pożaru ani iskiek. Należy wywiesić tabliczki „Zakaz palenia”.

#### ***Wentylacja obszaru***

- Przed uzyskaniem dostępu do urządzenia w celu przeprowadzenia jakichkolwiek prac konserwacyjnych należy upewnić się, że obszar jest otwarty i dobrze wentylowany. Podczas konserwacji urządzenia należy zapewnić odpowiednią wentylację, umożliwiającą bezpieczne rozproszenie czynnika chłodniczego, który może zostać uwolniony do atmosfery.

#### ***Weryfikacja wyposażenia chłodniczego***

- Należy zawsze przestrzegać zaleceń producenta dotyczących utrzymania i konserwacji. Podczas wymiany elementów elektrycznych należy używać wyłącznie elementów tego samego typu i klasy, które są zalecane/zatwierdzone przez producenta. W razie wątpliwości skonsultuj się z serwisem technicznym

producenta.

- W przypadku instalacji wykorzystujących łatwopalne czynniki chłodnicze należy przeprowadzić następujące czynności kontrolne:
  - oznaczenia na urządzeniu muszą zawsze pozostawać widoczne i czytelne, wszelkie nieczytelne oznaczenia lub sygnały muszą zostać poprawione;
  - rury lub elementy chłodnicze muszą zostać zainstalowane w miejscu, w którym jest mało prawdopodobne, aby były narażone na działanie jakiegokolwiek substancji, która mogłaby powodować korozję elementów zawierających czynnik chłodniczy, chyba że elementy te są wykonane z materiałów odpornych na korozję lub odpowiednio zabezpieczonych przed korozją.

#### ***Kontrola komponentów elektrycznych***

- Naprawa i konserwacja części elektrycznych musi obejmować wstępne kontrole bezpieczeństwa i procedury kontroli części. W razie wystąpienia awarii, która mogłaby zagrozić bezpieczeństwu, do obwodu nie należy podłączać zasilania, dopóki nie zostanie ona całkowicie usunięta. Jeśli awaria nie może zostać naprawiona natychmiast, ale prace muszą być kontynuowane, należy znaleźć odpowiednie rozwiązania tymczasowe. Musi to zostać zgłoszone właścicielowi sprzętu, aby wszyscy uczestnicy zostali odpowiednio powiadomieni.
- Naprawa i konserwacja elementów elektrycznych musi obejmować następujące wstępne kontrole bezpieczeństwa:
  - kondensatory są rozładowane: niezbędne prace muszą zostać przeprowadzone w sposób bezpieczny, aby uniknąć jakiegokolwiek iskrzenia;
  - podczas ładowania, regeneracji lub płukania systemu, żadne elementy elektryczne ani zasilane przewody nie mogą być odstosowane;
  - uziemienie musi być zapewnione w sposób ciągły.

#### ***Naprawa izolowanych elementów***

- Podczas naprawy izolowanych elementów, całość zasilania elektrycznego musi zostać odłączona od sprzętu, na którym wykonywane są prace, przed zdjęciem osłony izolacyjnej itp. Jeśli sprzęt musi być bezwzględnie zasilany energią elektryczną podczas konserwacji, stale działające urządzenie wykrywające upływ prądu musi zostać umieszczone w najbardziej krytycznym punkcie, aby zasygnalizować każdą potencjalnie niebezpieczną sytuację.
- Szczególną uwagę należy zwrócić na punkty wymienione poniżej, aby podczas prac przy podzespołach elektrycznych obudowa nie została uszkodzona w sposób mający wpływ na poziom ochrony. Musi to obejmować uszkodzone kable, nadmierną liczbę połączeń, zaciski niezgodne z oryginalnymi właściwościami, uszkodzone uszczelki, nieprawidłowy montaż dławików kablowych itp.
- Upewnić się, że urządzenie jest prawidłowo zamocowane.
- Upewnić się, że złącza lub materiały izolacyjne nie uległy pogorszeniu do punktu, w którym nie zapobiegają już przedostaniu się łatwopalnej atmosfery do obwodu. Części zamienne muszą być zgodne ze specyfikacjami producenta.

#### ***Naprawa elementów iskrobezpiecznych***

- Nie przykładać do obwodu żadnego ładunku indukcyjnego ani stałej pojemności elektrycznej bez wcześniejszego upewnienia się, że nie przekraczają one napięcia i natężenia dopuszczalnego dla używanego sprzętu.
- Normalnie bezpieczne komponenty są jedynymi elementami, na których można pracować w obecności atmosfery łatwopalnej, z doprowadzonym zasilaniem. Urządzenie testowe musi należeć do odpowiedniej klasy.
- Komponenty mogą być wymieniane tylko na części określone przez producenta. Inne części mogą zapalić czynnik chłodniczy w atmosferze z powodu wycieku.

#### ***Okablowanie***

- Sprawdzić okablowanie pod kątem zużycia, korozji, nadmiernego ciśnienia, wibracji, ostrych krawędzi lub jakiegokolwiek innego negatywnego wpływu na środowisko. Kontrola musi również obejmować skutki starzenia się lub ciągłych wibracji powodowanych przez źródła drgań takie, jak sprężarki lub wentylatory.

#### ***Wykrywanie łatwopalnego czynnika chłodniczego***

- W żadnym wypadku nie należy wykorzystywać potencjalnych źródeł iskier do wyszukiwania lub wykrywania wycieków czynnika chłodniczego. Nie należy używać lampy halogenkowej (lub jakiegokolwiek innego detektora wykorzystującego otwarty płomień).
- Następujące metody wykrywania wycieków są uważane za dopuszczalne dla wszystkich systemów chłodniczych.
- Do wykrywania wycieków czynnika chłodniczego można używać elektronicznych detektorów szczelności, ale w przypadku czynnika łatwopalnego ich czułość może być nieodpowiednia lub wymagać ponownej kalibracji. (Sprzęt do wykrywania powinien być kalibrowany w miejscu wolnym od czynników chłodniczych.) Upewnij się, że detektor nie jest potencjalnym źródłem iskrzenia i jest odpowiedni dla używanego czynnika chłodniczego. Sprzęt do wykrywania wycieków powinien być ustawiony na określony procent dolnej granicy palności czynnika chłodniczego i skalibrowany na podstawie zastosowanego czynnika chłodniczego. Właściwy procent gazu (maksymalnie 25%) musi zostać potwierdzony.
- Płyny do wykrywania wycieków są również odpowiednie do stosowania w większości czynników chłodniczych, ale należy unikać stosowania detergentów zawierających chlor, ponieważ mogą one reagować z czynnikiem chłodniczym i powodować korozję miedzianych przewodów rurowych.
- W przypadku podejrzenia wycieku należy usunąć/zgasić wszystkie otwarte płomienie.
- Jeśli wykryty zostanie wyciek czynnika chłodniczego i wymaga on lutowania, cały czynnik chłodniczy należy usunąć z układu lub odizolować (przez zawory odcinające) w części układu znajdującej się w dużej odległości od wycieku.

### **Usuwanie i odprowadzanie**

- Podczas uzyskiwania dostępu do obwodu chłodniczego w celu naprawy lub z jakiegokolwiek innego powodu należy stosować konwencjonalne obowiązujące procedury. Jednak w przypadku łatwopalnych czynników chłodniczych należy bezwzględnie przestrzegać zaleceń, ponieważ konieczne jest uwzględnienie ich łatwopalności. Należy postępować zgodnie z następującą procedurą:
  - usunąć czynnik chłodniczy;
  - oczyścić obwód gazem obojętnym (opcjonalnie dla A2L);
  - odprowadzić (opcjonalnie dla A2L);
  - oczyścić gazem obojętnym (opcjonalnie dla A2L);
  - otworzyć obwód poprzez wycięcie lub lutowanie.
- Czynnik chłodniczy należy zebrać do odpowiednich butli przeznaczonych do jego odzyskiwania. W przypadku urządzeń zawierających łatwopalne czynniki chłodnicze inne niż czynniki chłodnicze A2L, układ należy przedmuchać azotem beztlenowym, aby urządzenie było odpowiednio przygotowane do przyjmowania łatwopalnych czynników chłodniczych. Może być konieczne powtórzenie tego procesu kilka razy. Do czyszczenia układów chłodniczych nie należy używać sprężonego powietrza lub tlenu.

### **Procedury wymiany**

- Upewnij się, że wylot pompy próżniowej nie znajduje się w pobliżu potencjalnego źródła iskier i że dostępna jest wentylacja.
  - Oprócz konwencjonalnych procedur ładowania muszą być spełnione wymagania określone poniżej.
- Upewnij się, że podczas korzystania ze sprzętu do ładowania nie jest możliwe zanieczyszczenie krzyżowe pomiędzy różnymi czynnikami chłodniczymi. Węże lub przewody powinny być jak najkrótsze, aby zmniejszyć ilość zawartego w nich czynnika chłodniczego.
  - Butle należy przechowywać w odpowiedniej pozycji, zgodnie z instrukcją.
  - Upewnij się, że układ chłodniczy jest uziemiony przed napełnieniem układu czynnikiem chłodniczym.
  - Po naładowaniu należy oznakować system (jeśli nie zostało to zrobione wcześniej).
  - Zachowaj szczególną ostrożność, aby nie przepętnić układu chłodzenia.
- Przed ponownym naładowaniem układu należy przeprowadzić próbę ciśnienia przy użyciu odpowiedniego gazu płuczącego. System należy sprawdzić pod kątem wycieków pod koniec ładowania, ale przed uruchomieniem. Przed opuszczeniem miejsca prac należy wykonać kolejną próbę szczelności.

### **Rozbiórka**

- Przed przeprowadzeniem procedury demontażu ważne jest, aby technik zapoznał się z urządzeniem i jego właściwościami. Szczególnie zaleca się ostrożne odzyskiwanie wszystkich czynników chłodniczych. Przed wykonaniem tego zadania należy pobrać próbkę oleju i czynnika chłodniczego, jeżeli przed ponownym

użyciem odzyskanego czynnika chłodniczego konieczne jest przeprowadzenie testu. Przed rozpoczęciem zadania należy sprawdzić obecność zasilania elektrycznego.

1. Zapoznać się ze sprzętem i zasadami jego obsługi.
2. Odizolować elektrycznie system.
3. Przed rozpoczęciem procedury sprawdź następujące punkty:
  - czy w razie potrzeby dostępny jest sprzęt mechaniczny do przenoszenia butli z czynnikiem chłodniczym;
  - wszystkie środki ochrony indywidualnej są dostępne i używane prawidłowo;
  - proces odzyskiwania jest przez cały czas nadzorowany przez kompetentną osobę;
  - sprzęt i butle do odzyskiwania są zgodne z odpowiednimi normami.
1. W miarę możliwości należy opróżnić układ chłodniczy.
2. Jeśli nie można wytworzyć próżni, zainstaluj kolektor, aby czynnik chłodniczy mógł zostać usunięty z różnych miejsc w systemie.
3. Upewnij się, że butla znajduje się na wadze przed rozpoczęciem operacji odzyskiwania.
4. Uruchom maszynę do odzyskiwania i używaj jej zgodnie z instrukcjami.
5. Nie przepełniaj butli (nie więcej niż 80% objętości ładunku płynu).
6. Nie przekraczaj maksymalnego ciśnienia roboczego butli, nawet tymczasowo.
7. Po prawidłowym napełnieniu butli i zakończeniu procesu należy upewnić się, że butle i sprzęt zostały niezwłocznie usunięte z miejsc prac oraz że alternatywne zawory odcinające na urządzeniach są zamknięte.
8. Odzyskany czynnik chłodniczy nie może być załadowany do żadnego innego układu chłodniczego, chyba że został wyczyszczony i sprawdzony.

### **ROZWIĄZYWANIE PROBLEMÓW**

- Wszelkie prace dotyczące lutowania muszą być wykonywane wyłącznie przez wykwalifikowanych pracowników.
- Rury mogą być wymieniane wyłącznie na rury miedziane zgodne z normą NF EN 12735-1.
- Wykrywanie nieszczelności poprzez przeprowadzenie próby ciśnieniowej:
  - nie wolno używać tlenu ani suchego powietrza, ponieważ powoduje to ryzyko pożaru lub wybuchu,
  - należy zastosować odwodniony azot lub mieszaninę azotu i czynnika chłodniczego wskazaną na tabliczce znamionowej,
  - ciśnienie próbne po stronie niskiego i wysokiego ciśnienia nie może przekraczać 42 barów, jeśli urządzenie jest wyposażone w opcję manometru.
- W przypadku rur obwodu wysokiego ciśnienia wykonanego z rur miedzianych o średnicy = lub  $> 1\frac{5}{8}$ , od dostawcy wymagane będzie przedstawienie świadectwa, o którym mowa w §2.1 normy NF EN 10204 i które musi być przechowywane w dokumentacji technicznej instalacji.
- Informacje techniczne dotyczące wymagań bezpieczeństwa określonych w poszczególnych obowiązujących dyrektywach zostały podane na tabliczce znamionowej. Wszystkie te informacje powinny zostać zapisane w instrukcjach instalacji urządzenia, które muszą znajdować się w dokumentacji technicznej instalacji: model, kod, numer seryjny, maksymalna i minimalna wartość ciśnienia, ciśnienie znamionowe, rok produkcji, oznakowanie CE, adres producenta, czynnik chłodniczy i jego ciężar, parametry elektryczne, parametry termodynamiczne i akustyczne.

### **ETYKIETOWANIE**

- Na urządzeniach musi zostać umieszczona etykieta zawierająca informację, że zostały wycofane z eksploatacji i że czynnik chłodniczy został spuszczoney.
- Etykieta musi być opatrzona datą i podpisana.
- W przypadku urządzeń zawierających łatwopalny czynnik chłodniczy upewnij się, że na urządzeniu są umieszczone etykiety wskazujące, że zawiera on łatwopalny czynnik chłodniczy.

### **ODZYSKIWANIE**

- Podczas spuszczenia czynnika chłodniczego w celu konserwacji lub wycofania z eksploatacji zalecane

jest przestrzeganie dobrych praktyk, zapewniających bezpieczne odprowadzenie całości czynnika chłodniczego.

- Przenosząc czynnik chłodniczy do butli, należy pamiętać o użyciu butli przeznaczonej do odzyskiwania, odpowiedniej dla czynnika chłodniczego. Należy koniecznie przewidzieć odpowiednią liczbę butli, aby odprowadzić całość płynu. Wszystkie stosowane butle muszą być przeznaczone do odzyskiwania czynnika chłodniczego i oznakowane dla tego konkretnego czynnika chłodniczego. Butle muszą być wyposażone w zawór próżniowy i zawory odcinające w dobrym stanie technicznym. Puste butle do odzyskiwania muszą być odpowiednio odprowadzane ewakuowane i w miarę możliwości schłodzone przed odzyskiwaniem.
- Sprzęt do odzyskiwania musi być w dobrym stanie, instrukcje obsługi sprzętu muszą znajdować się w pobliżu i sprzęt musi być odpowiedni dla danego czynnika chłodniczego, w tym, w stosownych przypadkach, łatwopalnego czynnika chłodniczego. Ponadto musi być dostępny zestaw skalibrowanych wag w dobrym stanie technicznym. Węże muszą być kompletne, nie mogą mieć wycieków lub rozłączone złączy i muszą znajdować się w dobrym stanie. Przed użyciem urządzenia do odzyskiwania sprawdź, czy jest ono w dobrym stanie technicznym, było dobrze utrzymywane i czy powiązane elementy elektryczne są uszczelnione, aby zapobiec możliwości wybuchu pożaru w przypadku uwolnienia czynnika chłodniczego. W razie jakichkolwiek wątpliwości należy zwrócić się do producenta.
- Odzyskany czynnik chłodniczy musi zostać zwrócony dostawcy czynnika chłodniczego w butle do odzyskiwania, wraz z dowodem przekazania odpadów. Nie wolno mieszać różnych czynników chłodniczych w jednostkach przeznaczonych do ich odzyskiwania, a w szczególności w butlach.
- Jeśli sprężarka zostanie usunięta lub olej zostanie spuszczonej ze sprężarki, sprawdź, czy czynnik chłodniczy został usunięty, aby zapobiec jego zmieszaniu ze smarem. Proces opróżniania należy przeprowadzić przed zwróceniem sprężarki do dostawcy. Do przyspieszenia tego procesu można zastosować wyłącznie elektryczne ogrzewanie korpusu sprężarki. Kiedy opróżniane są wszystkie ciecze znajdujące się w systemie, operacja ta musi zostać przeprowadzona całkowicie bezpiecznie.



### Recykling

Ten symbol, wymagany przez europejską dyrektywę WEEE 2012/19/UE (dyrektywa w sprawie zużytego sprzętu elektrycznego i elektronicznego) oznacza, że urządzenia nie należy wyrzucać do kosza. Musi ono zostać przekazane do selektywnej zbiórki odpadów w celu ponownego użycia, recyklingu lub odzysku. Jeśli urządzenie zawiera substancje potencjalnie niebezpieczne dla środowiska, zostaną one wyeliminowane lub zneutralizowane. Należy uzyskać odpowiednie informacje dotyczące recyklingu u sprzedawcy.

# MINI POMPA CIEPŁA

## Instrukcja obsługi dla użytkownika

### SPIS TREŚCI

1. Specyfikacje techniczne
2. Reklama transportowa
3. Wymiary
4. Instalacja i przyłącza
5. Okablowanie
6. Obsługa panelu sterowania
7. Rozwiązywanie problemów
8. Rysunek rozłożeniowy
9. Czynności pielęgnacyjne i serwisowe
10. Akcesoria

Dziękujemy za skorzystanie z pompy ciepła, który podgrzeje wodę w Twoim basenie i utrzyma jej temperaturę, gdy temperatura otoczenia przekroczy 12 °C.

**▲ UWAGA: Niniejsza instrukcja obsługi zawiera wszystkie niezbędne informacje dotyczące użytkowania i instalacji pompy ciepła.**

Instalator musi zapoznać się z instrukcją obsługi i uważnie przestrzegać instrukcji dotyczących wdrażania i przeprowadzania czynności pielęgnacyjnych i serwisowych.

Instalator jest odpowiedzialny za instalację produktu i powinien przestrzegać wszystkich instrukcji producenta oraz obowiązujących przepisów. Instalacja niezgodna z instrukcją obsługi powoduje unieważnienie całej gwarancji.

Producent nie ponosi żadnej odpowiedzialności za szkody wyrządzone osobom lub mieniu, które nastąpiły na skutek instalacji niezgodnej z wytycznymi podanymi w instrukcji obsługi. Każde użycie niezgodne z podanym przez producenta będzie uważane za niebezpieczne.

## 1. Specyfikacje techniczne

### 1.1 Dane techniczne dla basenowych pomp ciepła

Model	HPM20	HPM30	HPM40
Nr części	71245	71258	71606
<b>*Moc grzewcza przy temp. powietrza 28°C, wody 28°C, wilgotności 80%</b>			
Wydajność grzewcza (kW)	2.5	4.2	5.5
Zużycie energii (kW)	0.59	1	1.31
COP	4.2	4.2	4.2
<b>*Moc grzewcza przy temp. powietrza 15°C, wody 26°C, wilgotności 70%</b>			
Wydajność grzewcza (kW)	1.9	3.2	4.2
Zużycie energii (kW)	0.56	0.91	1.2
COP	3.4	3.5	3.5
<b>*Ogólne dane</b>			
Napięcie (V)	220-240V~50Hz/1PH		
Prąd znamionowy(A)	2.6	4.4	5.8
Prąd bezpiecznika(A)	7.5	10	16
Maksymalna objętość basenu ** (m <sup>3</sup> )	<20	<30	<40
Minimalny i zalecany przepływ wody (m <sup>3</sup> /h)	2	2	2.5
Maksymalne / minimalne ciśnienie robocze (Mpa)	4.2/0.05		
Spadek ciśnienia wody(Kpa)	15	15	15
Wymiennik ciepła	Tytanowy wymiennik ciepła w PCV		
Stopień ochrony	IPX4		
Wlot/wylot rury(mm)	38/32		
Poziom hałasu (10 m)dB(A)	48	46	46
Poziom hałasu (1 m)dB(A)	57	55	55
Rodzaj czynnika chłodniczego(R32)	160	290	400
<b>* Wymiary / Waga</b>			
Waga netto (kg)	20	30	32
Waga brutto (kg)	19	28.5	33
Wymiar netto (mm)	313*364.5*428.5	435*436.5*511.5	515*487*541.5
Wymiar opakowania (mm)	380*455*500	496*525*575	570*570*605

\* Powyższe dane mogą ulec zmianie bez uprzedniego powiadomienia.

\*\* Sprawdź nasze opakowanie lub stronę internetową, aby uzyskać więcej informacji.

## 2. Reklama transportowa

### 2.1 Dostawa opakowania



Do transportu pompy ciepła są zamocowane na paletcie i przykryte kartonem.

Aby zabezpieczyć się przed uszkodzeniami, pompę ciepła należy przemieszczać w opakowaniu.

Obowiązkiem adresata jest powiadomienie w ciągu 48 godzin o wszelkich uszkodzeniach powstałych podczas dostawy. Żadna odpowiedzialność nie może zostać podjęta po podpisaniu umowy na jednostkę.

### 2.2 Reklama giełdowa



- \* Magazyn powinien być jasny, obszerny, otwarty, dobrze wentylowany, posiadać sprzęt wentylacyjny i nie mieć źródła ognia.
- \* Pompę ciepła należy przechowywać i przemieszczać w pozycji pionowej w oryginalnym opakowaniu. Jeśli tak nie jest, nie można go używać, dopóki nie minie minimalny okres 24 godzin, zanim będzie można włączyć zasilanie elektryczne.

#### ZAKAZANA



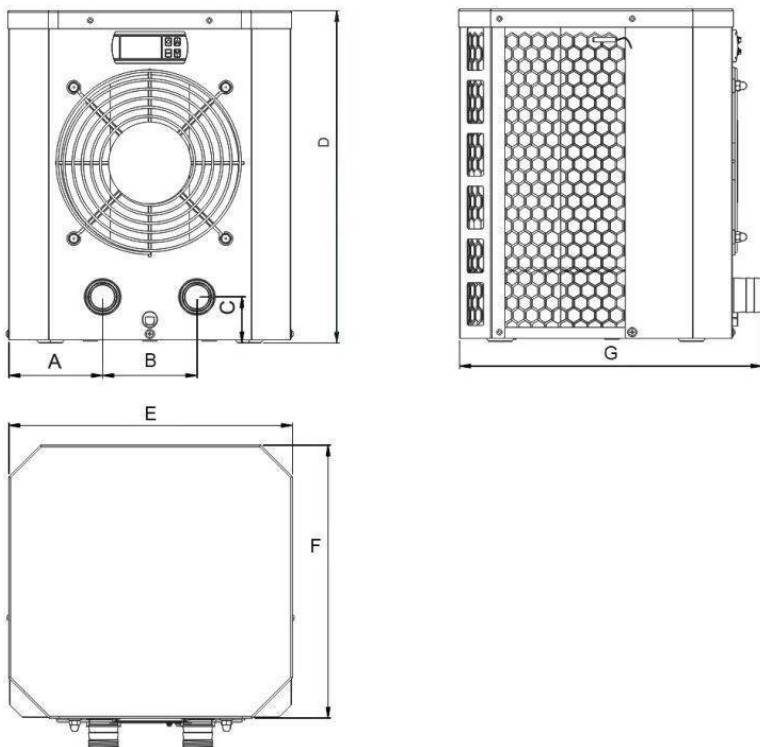
#### 1.1 Przeniesienie do ostatecznej pozycji

- \* Podczas rozpakowywania produktu i przemieszczania z palety do miejsca docelowego montażu należy utrzymywać pompę ciepła w pozycji pionowej.
- \* W pobliżu maszyny R32 zabronione jest palenie i używanie płomieni.

Przyłącze wodne nie może służyć jako uchwyty nośne. Producent nie ponosi odpowiedzialności w przypadku uszkodzenia rur wodociągowych.



### 3. Wymiary



Pozycja / (mm)	A	B	C	D	E	F	G
<b>HPM20</b>	90.4	130	50	428.5	313	300	364.5
<b>HPM30</b>	116.5	200	50	511.5	435	365	436.5
<b>HPM40</b>	134.6	260	50	541.5	515	421	487

## 4. Instalacja i przyłącza

### **UWAGA:**

Podczas instalacji pompy ciepła należy przestrzegać następujących zasad:

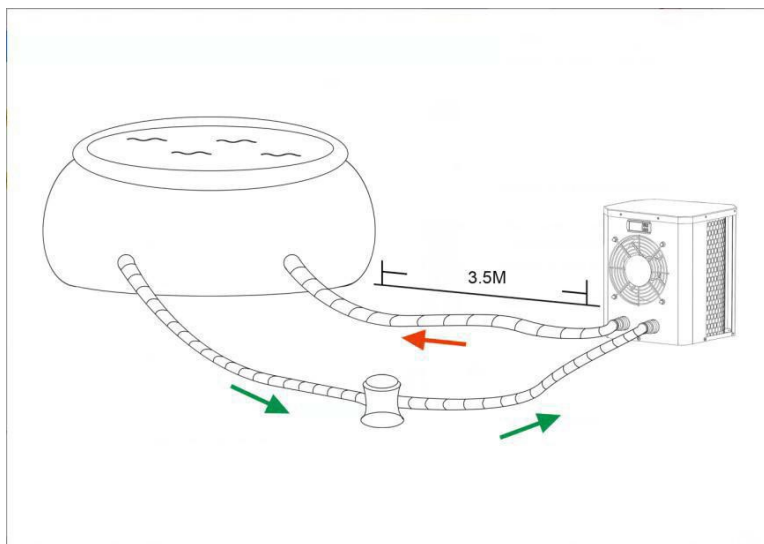
1. Dodawanie chemikaliów musi odbywać się w orurowaniu znajdującym się **za** pompą ciepła.
2. Zawsze utrzymuj pompę ciepła w pozycji pionowej. Jeśli była nachylona pod kątem, odczekaj co najmniej 24 godziny przed jej uruchomieniem.

### 4.1 Miejsce pod pompę ciepła

Urządzenie będzie działać poprawnie w dowolnym miejscu, o ile obecne są następujące trzy elementy:

1. Świeże powietrze – 2. Zasilanie elektryczne – 3. Filtry basenowe

Urządzenie można zainstalować praktycznie w dowolnym miejscu **na zewnątrz**, o ile zachowane zostaną określone minimalne odległości od innych obiektów (patrz rysunek poniżej). Skontaktuj się z instalatorem w celu instalacji krytego basenu. Instalacja w wietrznym miejscu nie stanowi żadnego problemu, chyba że to pompa ciepła z kotłem gazowym (problemy z płomieniem pilota).

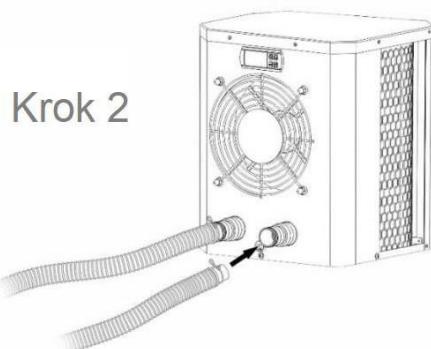


**UWAGA:** Nigdy nie instaluj urządzenia w zamkniętym pomieszczeniu o ograniczonej objętości powietrza, w którym powietrze wydmuchiwane z urządzenia zostanie ponownie wykorzystane, lub w pobliżu krzewów, które mogłyby zablokować wlot powietrza. Takie miejsca utrudniają ciągłe dostarczanie świeżego powietrza, co skutkuje zmniejszoną wydajnością i w efekcie uniemożliwia osiągnięcie wystarczającej mocy cieplnej.

### 4.2 Wstępna eksploatacja

**Uwaga:** Aby podgrzać wodę w basenie (lub wannie z hydromasażem), pompa filtrująca musi pracować, aby umożliwić cyrkulację wody przez pompę ciepła. Pompa ciepła nie uruchomi się, jeśli woda nie będzie krążyć.

### 4.3 Podłączenie węża



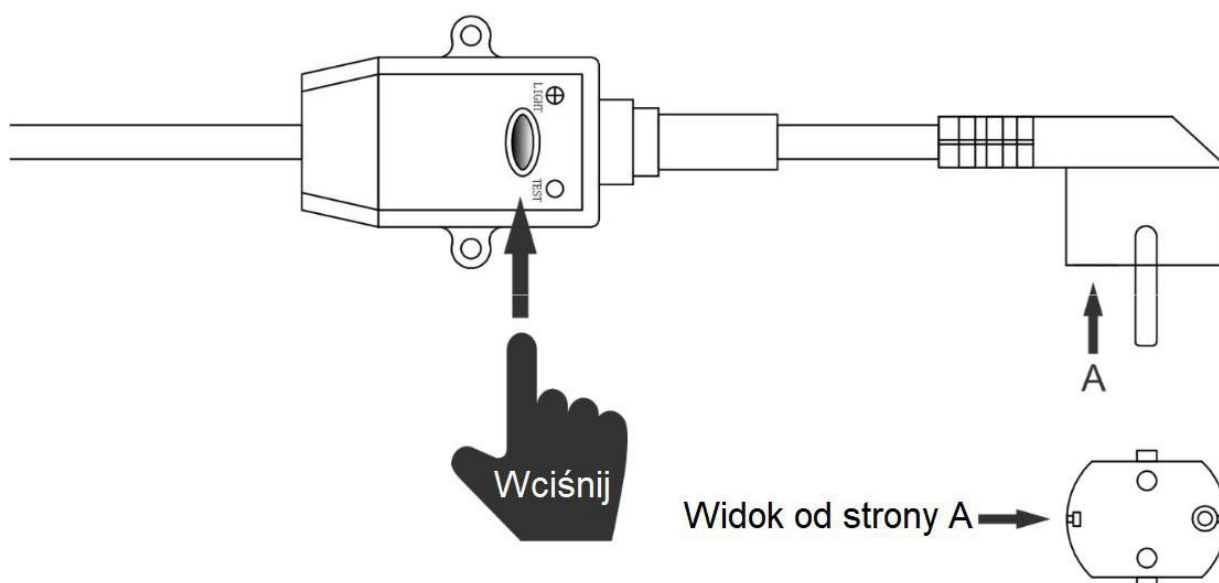
#### Uwaga:

Fabryka dostarcza tylko pompę ciepła. Wszystkie inne komponenty, w tym dwa węże i obejma zostaną dostarczone przez użytkownika lub instalatora.

### 4.4 Połączenia elektryczne

Przed podłączeniem urządzenia sprawdź, czy napięcie zasilania odpowiada napięciu robocznemu pompy ciepła. Wtyczka RCD została dołączona do kabla zasilającego, który może zapewnić ochronę elektryczną. Przycisk testu służy do sprawdzania sprawności wyłącznika.

Wtyczka RCD zawiera przycisk testowy do sprawdzania obwodu zdolność wyłączenia.



## UWAGA:

<b>Upewnij się, że wtyczka jest bezpieczna</b> Jeśli wtyczka nie jest bezpieczna, może dojść do porażenia prądem, przegrzania lub pożaru	<b>Nigdy nie wyciągaj wtyczki z gniazdka podczas pracy</b> W przeciwnym razie może dojść do porażenia prądem lub pożaru spowodowanego przegrzaniem.	<b>Nigdy nie używaj uszkodzonych przewodów elektrycznych lub przewodów elektrycznych niespełniających specyfikacji.</b> W przeciwnym razie może dojść do porażenia prądem lub pożaru.
		

Po wykonaniu i sprawdzeniu wszystkich połączeń przeprowadź następującą procedurę:

1. Włącz pompę filtra. Sprawdź, czy nie ma przecieków i sprawdź, czy woda płynie z i do basenu.
2. Podłącz zasilanie do pompy ciepła i naciśnij przycisk „ON/OFF” na elektronicznym panelu sterowania. Urządzenie uruchomi się po upływie czasu opóźnienia (patrz poniżej).
3. Po kilku minutach sprawdź, czy powietrze wydmuchiwane z urządzenia jest chłodniejsze.
4. Po wyłączeniu pompy filtra urządzenie powinno również wyłączyć się automatycznie.

W zależności od początkowej temperatury wody w basenie i temperatury powietrza, podgrzanie wody do żądanej temperatury może potrwać kilka dni. Dobra osłona basenu może znacznie skrócić wymagany czas.

**Opóźnienie startu** - Pompa ciepła ma wbudowany system 3-minutowego opóźnienia startu w celu ochrony obwodów i uniknięcia nadmiernego zużycia styków. Urządzenie uruchomi się automatycznie po upływie tego czasu.

W przypadku pierwszego uruchomienia lub przerwy w zasilaniu, pompa ciepła uruchomi się 10 sekund później po naciśnięciu przycisku „ON/OFF”.

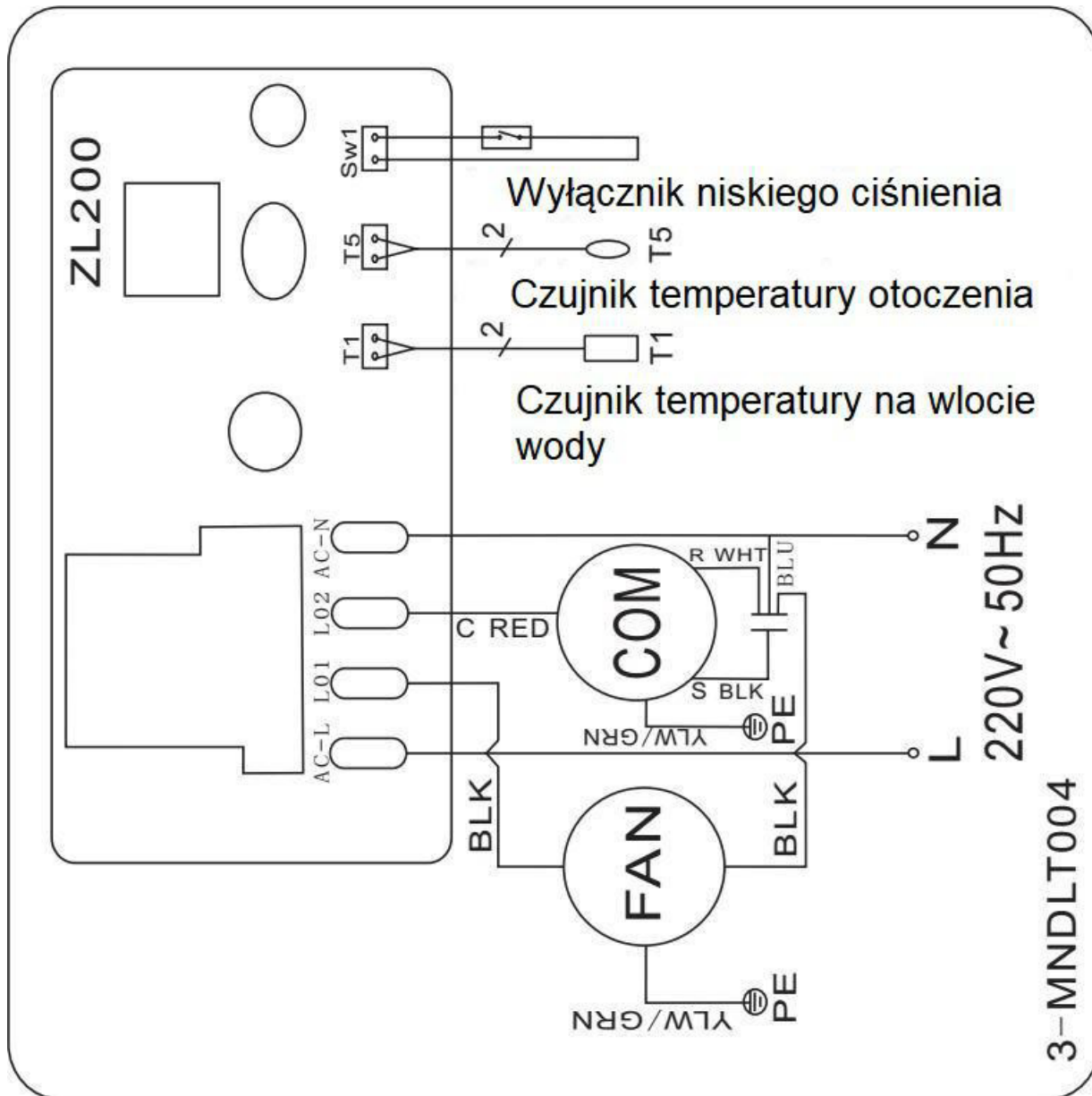
### 4.5 Kondensacja

Powietrze zasysane do pompy ciepła jest silnie chłodzone przez działającą pompę ciepła do ogrzewania wody basenowej, co może powodować kondensację na lamelach parownika. Ilość skondensowanej pary wodnej może wynosić nawet kilka miotów na godzinę przy wysokiej wilgotności względnej. Zjawisko to jest czasami błędnie mylone z wyciekami wody.

## 5. Okablowanie

### 5.1 Schemat okablowania basenowej pompy ciepła

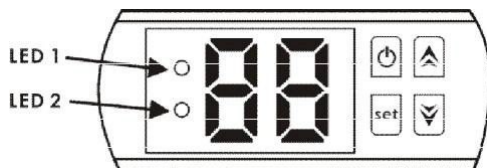
HPM20





## 6 Obsługa panelu sterowania

### 6.1 Przyciski kontrolera przewodowego LED




**Gdy pompa ciepła pracuje, wyświetlacz LED pokazuje temperaturę wody na wlocie.**

Dioda LED 1 świeci się, gdy sprężarka pracuje.

Dioda 2 świeci się, gdy wystąpi awaria.

### 6.2 Włączanie / wyłączenie pompy ciepła

Przyciśnij  aby włączyć pompę ciepła. Przez 5 sekund wyświetlacz LED będzie wskazywał ustawienia temperatury wody, a następnie pokaże temperaturę wody na wlocie.

Przyciśnij ponownie , aby wyłączyć pompę ciepła.






### 6.3 Ustawianie temperatury wody

Przyciskaj bezpośrednio  lub , aby dostosować temperaturę wody (w zakresie od 10 do 42 °C).

Przyciśnij  lub , aby zapamiętać ustawienia, a następnie wyjdź.

**UWAGA:** pompa ciepła może pracować tylko wtedy, gdy działa system obiegu wody / filtracji.

### 6.4 Sprawdzanie parametrów

Wciśnij , aby wejść do sprawdzania ustawień. Naciskaj  lub , aby wybrać kod d0/d1; ponownie przeciśnij  - pokaże zmierzoną wartość. Na koniec wciśnij , aby wyjść.

Kod	Parametr
d0	Temperatura otoczenia
d1	Temperatura wody na wlocie

**Uwaga:** Nie można ustawiać danych parametrów przez użytkowników końcowych.

## 7 Rozwiązywanie problemów

### 7.1 Kod błędu na kontrolerze LED

Awaria	Kod	Powód	Rozwiązanie
Zbyt niska wysoka temperatura otoczenia	P0	1. Temperatura otoczenia jest poniżej 12 °C . 2. Awaria sterownika.	1. Poczekaj, aż temperatura otoczenia wzrośnie do 13 °C, aby zrestartować. 2. Wymień sterownik na nowy.
Awaria czujnika temperatury wody	P1	Otwarty obwód czujnika temperatury wody lub zwarcie.	Wymień czujnik temperatury wody na nowy.
Awaria czujnika temperatury otoczenia	P2	Otwarty obwód czujnika temperatury otoczenia lub zwarcie.	Wymień czujnik temperatury otoczenia na nowy.
Ochrona przed spadkiem ciśnienia	EL	1. Wyłącznik niskiego ciśnienia odłączony lub uszkodzony. 2. Wyciek gazu.	Musi być naprawiony przez profesjonalnych techników.

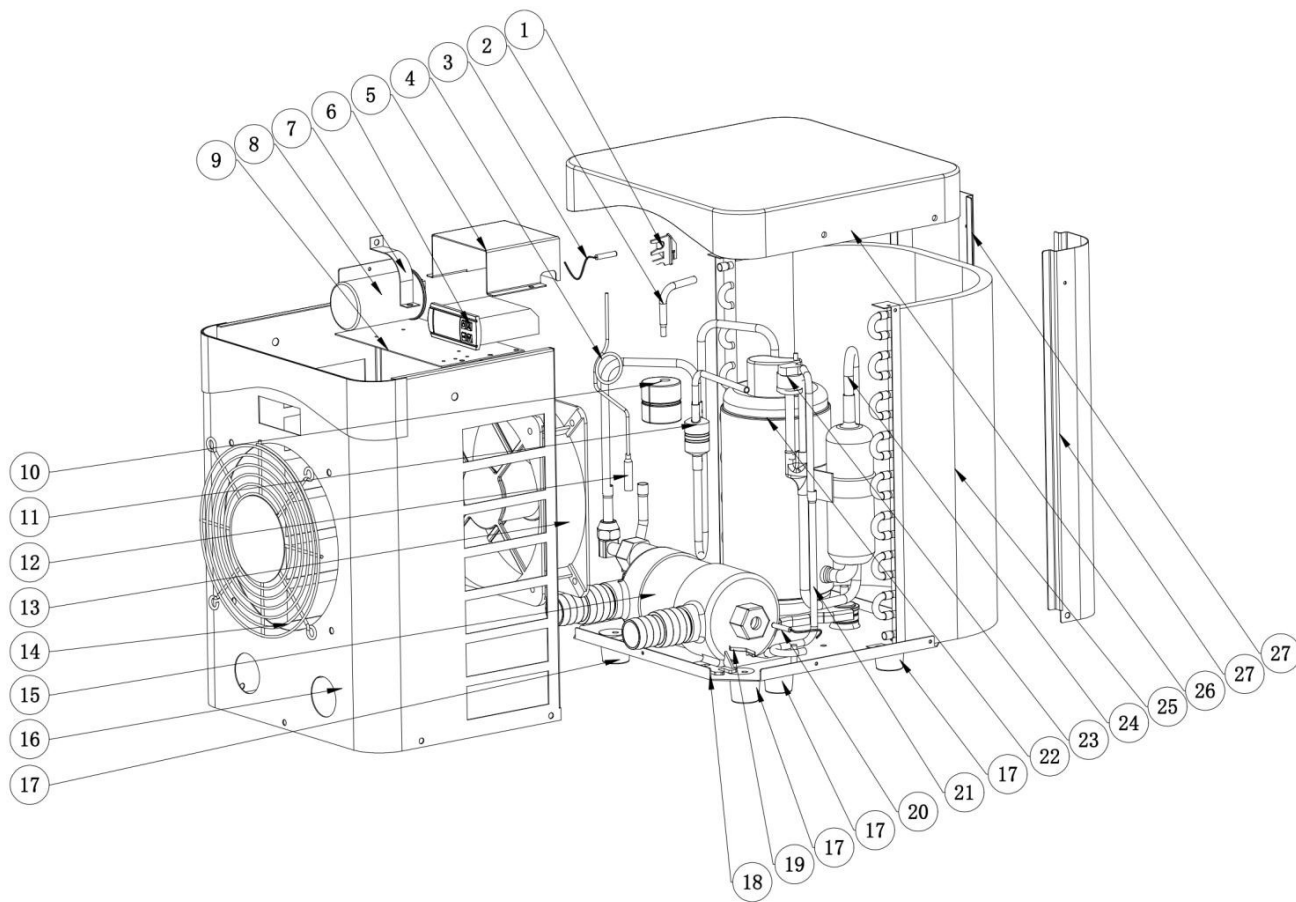


## 7.2 Inne awarie i rozwiązania (niewyświetlane przez sterownik przewodowy)

Awarie	Obserwacja	Powód	Rozwiązanie
Pompa ciepła nie działa	Brak wyświetlenia na sterowniku LED	Brak zasilania	Sprawdź kabel i bezpiecznik, czy są podłączone
	Sterownik LED wyświetla rzeczywistą temperaturę wody	<ol style="list-style-type: none"> <li>1. Temperatura wody zbliża się do zadanej; pompa ciepła w trybie stałej temperatury.</li> <li>2. Pompa ciepła dopiero zaczyna działać.</li> </ol>	<ol style="list-style-type: none"> <li>1. Sprawdź ustawienia temperatury wody.</li> <li>2. Uruchom pompę po kilku minutach.</li> </ol>
Krótki przebieg	Sterownik LED wyświetla rzeczywistą temperaturę, ale nie wyświetla kodu błędu.	<ol style="list-style-type: none"> <li>1. Wentylator NIE działa.</li> <li>2. Wentylacja nie jest wystarczająca.</li> <li>3. Brak wystarczającej ilości czynnika chłodniczego.</li> </ol>	<ol style="list-style-type: none"> <li>1. Sprawdź połączenia kablowe między silnikiem a wentylatorem, w razie potrzeby należy je wymienić.</li> <li>2. Sprawdź lokalizację pompy ciepła i usuń wszystkie przeszkody, aby zapewnić dobrą wentylację.</li> <li>3. Wymień lub napraw pompę ciepła.</li> </ol>
Plamy wody	Plamy wody na pompie ciepła	<ol style="list-style-type: none"> <li>1. Skraplanie</li> <li>2. Wyciek wody</li> </ol>	<ol style="list-style-type: none"> <li>1. Brak działania</li> <li>2. Sprawdź dokładnie tytanowy wymiennik ciepła w kierunku uszkodzeń</li> </ol>

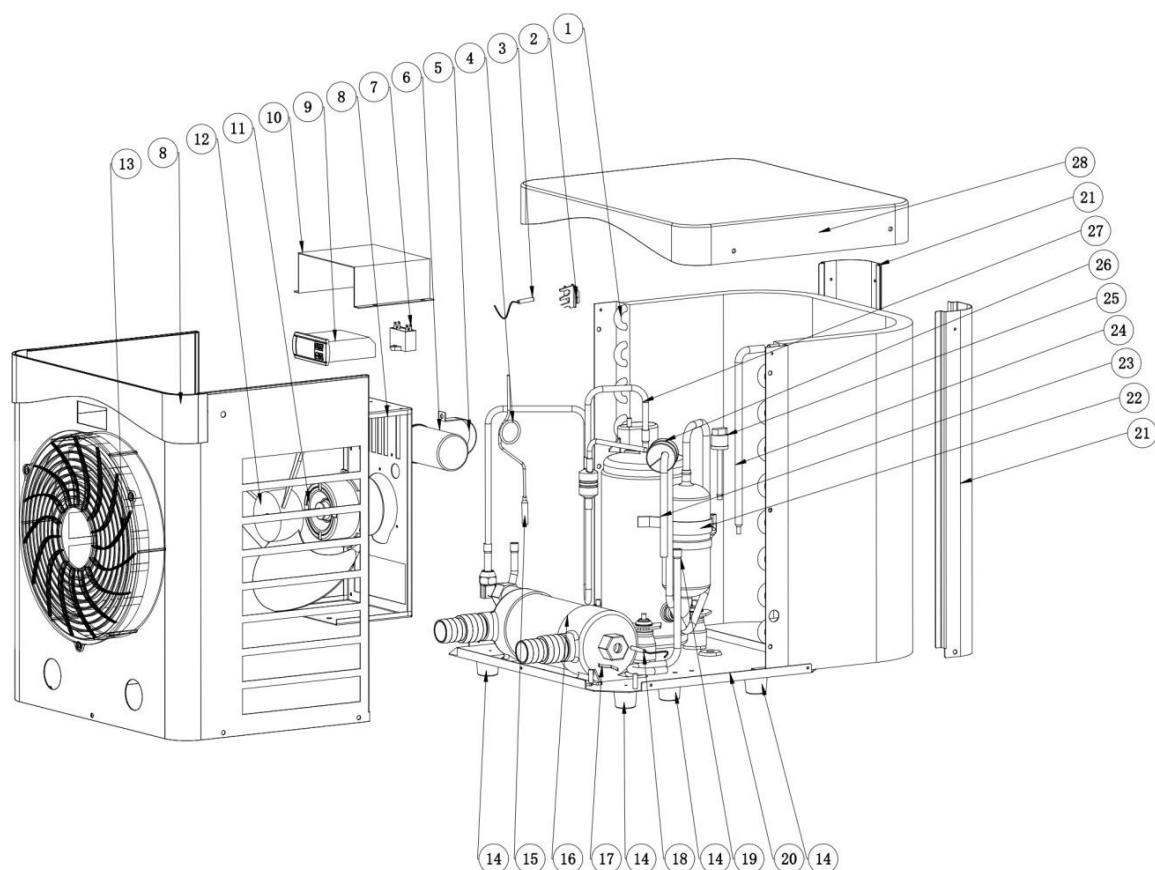
## 8. Rysunek rozłożeniowy

Model:HPM20

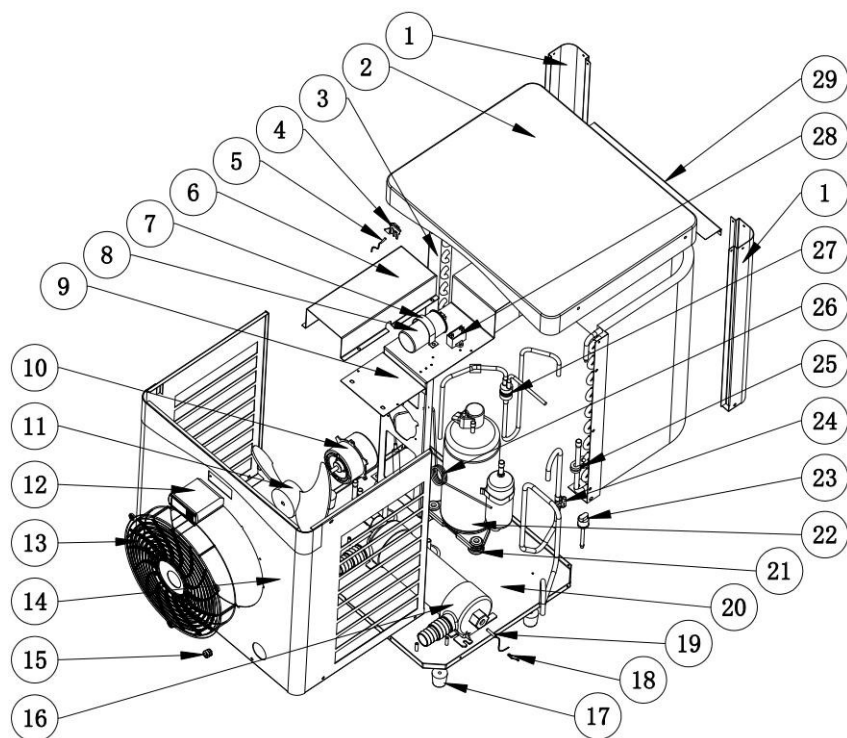


Nr	Części zamienne	HPM20	Nr	Części zamienne	HPM20
1	Klips do czujnika temperatury otoczenia	102040891	15	Wymiennik tytanowy	102040891
2	Miedziana rura	108680047	16	Przedni panel	108680047
3	Sonda temperatury Środowisko T5	136020168	17	Gumowe nóżki	136020168
4	Kapilarny	108680045	18	Baza	108680045
5	Elektryczne pudełko	108010025	19	Spinacz	108010025
6	Kontroler	117110068	20	Sonda temperatury wody T1	117110068
7	Zacisk kondensatora sprężarki	113050123	21	Rurka do pobierania gazu	113050123
8	Kondensator sprężarki	101000233	22	Kompresor	101000233
9	Płyta górna wentylatora silnika	116000091	23	Przełącznik niskiego ciśnienia	116000091
10	Młotek gumowy odporny na wstrząsy	113010300	24	Wyczerpana rura	113010300
11	Rura powrotna gazu	103000236	25	Parownik	103000236
12	Miedziana rura	133400001	26	Górna obudowa	133400001
13	Zespół silnika wentylatora	108680046	27	Kolumna	108680046
14	Kratka przednia				

Model: HPM30



Nr	Części zamienne	HPM30	Nr	Części zamienne	HPM30
1	Parownik	103000237	15	Miedziana rura	113100027
2	Klips do czujnika temperatury otoczenia	133020010	16	Wymiennik tytanowy	102040900
3	Sonda temperatury Środowisko T5	117110079	17	Spinacz	108010025
4	Kapilarny	109000038	18	Sonda temperatury wody T1	117110068
5	Zacisk kondensatora sprężarki	108010006	19	Rurka do pobierania gazu	113050125
6	Kondensator sprężarki	111000011	20	Baza	108690033
7	Kondensator wentylatora	111000034	21	Kolumna	108690048
8	Montaż panelu przedniego	108690047	22	Kompresor	101000232
9	Kontroler	117020189	23	Rura powrotna gazu	113020467
10	Elektryczne pudełko	108690015	24	Miedziana rura	113420129
11	Silnik wentylatora	112000054	25	Przełącznik niskiego ciśnienia	116000091
12	Łopatką wentylatora	132000024	26	Młotek gumowy odporny na wstrząsy	136020026
13	Kratka przednia	133020052	27	Wyczerpana rura	113010351
14	Gumowe nóżki	136020168	28	Górna obudowa	133330004



Nr	Części zamienne	HPM40	Nr	Części zamienne	HPM40
1	Kolumna	108950009	16	Wymiennik tytanowy	117020363
2	Górna obudowa	133440001	17	Gumowe nóżki	136020168
3	Parownik	103000343	18	Zacisk sondy temperatury wymiennika	108010025
4	Temp. Zacisku sondy środowisko	133020010	19	Sonda temperatury wody T1	117110068
5	Sonda temperatury wody T1	117110068	20	Baza	108950007
6	Elektryczne pudełko	108950006	21	Gumowe nóżki kompresora	101000241
7	Zacisk kondensatora sprężarki	108010006	22	Kompresor	101000241
8	Kondensator sprężarki	111000012	23	Przełącznik niskiego ciśnienia	116000091
9	Wsparcie silnika wentylatora	108950010	24	Rura powrotna gazu	113020602
10	Silnik wentylatora	112000079	25	Gumowy zamek	136020018
11	Łopatką wentylatora	132000024	26	Kapilarny	109000038
12	Kontroler	117020302	27	Wyczerpana rura	113020624
13	Kratka przednia	133020052	28	Kondensator wentylatora	111000034
14	Montaż panelu przedniego	108950008	29	Płyta wsporcza wspornika silnika	108950011
15	Kabel zasilający	142000126			

## 9. Czynności pielęgnacyjne i serwisowe

(1) Należy regularnie sprawdzać system doprowadzania wody, aby uniknąć przedostawania się powietrza do systemu i występowania niskiego przepływu wody, ponieważ zmniejsza to wydajność i niezawodność pompy ciepła.

(2) Należy regularnie czyścić basen i system filtracyjny, aby uniknąć uszkodzenia urządzenia w wyniku zatkanego zabrudzeniami filtra.

(3) Proszę zawsze opróżniać wodę z pompy ciepła w okresie zimowym lub gdy temperatura otoczenia spadnie poniżej 0 °C, w przeciwnym razie tytanowy wymiennik zostanie uszkodzony z powodu zamarznięcia, w takim przypadku utracisz gwarancję.

(4) Poza tym należy sprawdzić, czy urządzenie jest całkowicie napełnione wodą, zanim zostanie ponownie uruchomione.

(5) Gdy urządzenie pracuje, pod urządzeniem cały czas znajduje się niewielka ilość wody.

## 10. Akcesoria



## PO - CERTYFIKAT GWARANCJI

### 1 WARUNKI OGÓLNE

- Zgodnie z tymi postanowieniami sprzedawca gwarantuje, że produkt odpowiadający tej gwarancji ("Produkt") jest w idealnym stanie w momencie dostawy.
- Okres gwarancji na produkt wynosi dwa (2) lata od momentu dostarczenia go nabywcy.
- W przypadku jakiegokolwiek wady Produktu, o której Kupujący poinformował sprzedającego w okresie Gwarancji, sprzedawca będzie zobowiązany do naprawy lub wymiany Produktu na własny koszt chyba że jest to niemożliwe lub nieuzasadnione.
- Jeżeli naprawa lub wymiana Produktu nie jest możliwa, kupujący może zażądać proporcjonalnego obniżenia ceny lub, jeśli wada jest wystarczająco istotna, rozwiązania umowy sprzedaży.
- Wymienione lub naprawione części objęte niniejszą gwarancją nie przedłużą okresu gwarancji oryginalnego Produktu, ale będą miały osobną gwarancję.
- Aby niniejsza gwarancja weszła w życie, nabywca musi przedstawić dowód daty zakupu i dostawy Produktu.
- Jeżeli po sześciu miesiącach od dostarczenia Produktu do nabywcy powiadomi o wadzie produktu, nabywca musi przedstawić dowód pochodzenia i istnienie rzekomej wady.
- Niniejsze świadectwo gwarancji wydawane jest bez uszczerbku dla praw odpowiadających konsumentom na mocy przepisów krajowych.

### 2 WARUNKI INDYWIDUALNE

2.1 Niniejsza gwarancja obejmuje produkty, o których mowa w niniejszej instrukcji.

2.2 Niniejszy Certyfikat Gwarancji będzie obowiązywać wyłącznie w krajach Unii Europejskiej.

2.3 Aby ta gwarancja była skuteczna, nabywca musi ściśle przestrzegać instrukcji producenta zawartych w dokumentacji dostarczonej z Produktem, w przypadkach, w których ma zastosowanie zgodnie z zakresem i modelem Produktu.

2.4 W przypadku określenia harmonogramu wymiany, konserwacji lub czyszczenia niektórych części lub komponentów produktu gwarancja zostanie udzielona tylko, jeśli ten harmonogram został dotrzymany.

### 3 OGRANICZENIA

3.1 Niniejsza gwarancja będzie miała zastosowanie wyłącznie do sprzedaży dokonywanej na rzecz konsumentów, rozumienia przez "konsumenta", osobę, która kupuje Produkt do celów nie związanych z jego działalnością zawodową.

3.2 Normalne zużycie wynikające z użytkowania produktu nie jest gwarantowane. W odniesieniu do zużytych lub zużywalnych części, komponentów i / lub materiałów,

takie jak baterie, żarówki itp. będą miały zastosowanie postanowienia zawarte w dokumentacji dostarczonej z produktem.




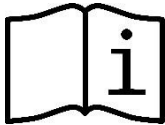
3.3 Gwarancja nie obejmuje przypadków, gdy Produkt; (I) został nieprawidłowo użytkowany; (II) został naprawiony, serwisowany lub obsługiwany przez osobnieuprawnione

osoby lub (III) zostały naprawione lub serwisowane bez użycia oryginalnych części. W przypadkach, gdy wada Produktu jest wynikiem nieprawidłowej instalacji lub

rozruchu, ta gwarancja będzie miała zastosowanie tylko wtedy, gdy wspomniana instalacja lub uruchomienie zostanie zawarte w umowie sprzedaży produktu i została przeprowadzona przez producenta lub na jego odpowiedzialność



## UPOZORNĚNÍ

	<b>Tento symbol označuje, že další informace jsou k dispozici v uživatelské příručce nebo v příručce k instalaci.</b>		<b>Tento symbol označuje, že spotřebič používá chladivo R32 s nízkou rychlostí hoření.</b>
	<b>Tento symbol označuje, že je třeba si pozorně přečíst uživatelskou příručku.</b>		<b>Tento symbol označuje, že servisní technik musí se zařízením zacházet v souladu s uživatelskou příručku.</b>

### OBEČNÁ UPOZORNĚNÍ

- Při nedodržení těchto upozornění může dojít k poškození bazénového zařízení nebo k vážnému zranění či smrti.
- Údržbu nebo opravu spotřebiče smí provádět pouze osoba kvalifikovaná v příslušných technických oborech (elektrotechnika, hydraulika nebo chlazení). Kvalifikovaný technik, který pracuje na spotřebiči, musí používat/nosit osobní ochranné pomůcky (např. ochranné brýle, ochranné rukavice atd.), aby se snížilo riziko zranění, ke kterému může při práci na spotřebiči dojít.
- Před prací na spotřebiči se ujistěte, že je bez napětí a zabezpečený.  
Tento spotřebič není určen pro použití osobami (včetně dětí) se sníženými fyzickými, smyslovými nebo duševními schopnostmi nebo osobami s nedostatkem zkušeností nebo znalostí, pokud jim osoba odpovědná za jejich bezpečnost předem neposkytlá dohled nebo je nepoučila o používání spotřebiče. Děti by měly být pod dohledem, aby si s přístrojem nehrály.
- Tento spotřebič mohou používat děti ve věku nejméně 8 let a osoby se sníženými fyzickými, smyslovými nebo duševními schopnostmi nebo osoby s nedostatkem zkušeností nebo znalostí, pokud jsou pod řádným dohledem nebo pokud byly poučeny o bezpečném používání spotřebiče a jsou si vědomy souvisejících rizik. Čištění a údržbu prováděnou uživatelem nesmí provádět děti bez dozoru.
- Spotřebič musí být instalován v souladu s pokyny výrobce a v souladu s platnými místními a národními normami. Za instalaci spotřebiče a dodržení národních předpisů pro instalaci je zodpovědný instalatér. Výrobce nenese žádnou odpovědnost v případě nedodržování platných místních norem pro instalaci.
- V případě jakékoli jiné činnosti než jednoduché údržby zařízení popsané v tomto návodu, kterou provádí uživatel, musíte kontaktovat kvalifikovaného pracovníka.
- Nesprávná instalace a/nebo použití může způsobit poškození majetku nebo vážné zranění (může způsobit smrt).
- V případě poruchy zařízení: nesnažte se zařízení opravit sami, kontaktujte kvalifikovaného technika.
- Jakákoli deaktivace, odstranění nebo obejití jakéhokoli bezpečnostního prvku zabudovaného v zařízení automaticky ruší záruku, stejně jako použití náhradních dílů od neautorizovaného výrobce třetí strany.
- Nestříkejte na přístroj insekticidy ani jiné chemikálie (hořlavé i nehořlavé), protože by mohlo dojít k jeho poškození a požáru.
- Nedotýkejte se ventilátoru ani pohyblivých částí a nekládejte předměty ani prsty do blízkosti pohyblivých částí, pokud je přístroj v provozu. Pohyblivé části mohou zapříčinit vážné zranění nebo smrt.

### VAROVÁNÍ TÝKAJÍCÍ SE ELEKTRICKÝCH SPOTŘEBIČŮ

- Elektrické napájení zařízení musí být chráněno proudovým chráničem 30 mA v souladu s normami platnými v zemi instalace.
- Pro připojení přístroje nepoužívejte prodlužovací kabel; zapojte jej přímo do příslušného napájecího okruhu.

- Před každou operací zkontrolujte, zda:
  - napětí uvedené na výrobním štítku zařízení odpovídá napětí v síti,
  - napájecí síť vyhovuje pro použití zařízení a zda disponuje uzemněním,
  - napájecí zástrčka vyhovuje elektrické zásuvce.
- Neodpojujte a znovu nezapojujte zařízení během provozu.
- Při odpojování napájecího kabelu za něj netahejte.
- Pokud je napájecí kabel poškozený, musí jej vyměnit výrobce, jeho technický zástupce nebo kvalifikovaná osoba, aby byla zajištěna bezpečnost.
- Neprovádějte žádnou údržbu nebo servis přístroje mokřima rukama nebo pokud je přístroj mokrý.
- Před připojením spotřebiče ke zdroji napájení zkontrolujte, zda je svorkovnice nebo zásuvka, ke které bude spotřebič připojen, v dobrém stavu a zda není poškozená nebo zrezivělá.
- Za bouřlivého počasí odpojte přístroj od napájení, abyste zabránili poškození bleskem.
- Přístroj neponořujte do vody ani do bahna; jistič uchovávejte mimo dosah vody.

### **UPOZORNĚNÍ PRO SPOTŘEBIČE OBSAHUJÍCÍ CHLADIVO R32**

- R32 je chladivo třídy A2L, které je považováno za potenciálně hořlavé.
- Kapalínu R32 nevypouštějte do ovzduší. Jedná se fluorový plyn se skleníkovým efektem, zahrnutý v Kjótském protokolu, s potenciálem globálního oteplování (GWP) = 675 (evropský předpis EU 517/2014).
- Přístroj nainstalujte venku. Přístroj neinstalujte v interiéru nebo v uzavřeném nevětraném prostoru venku.
- Spotřebič musí být uložen v místnosti bez trvale fungujícího zdroje jisker (např. u otevřeného ohně, fungujícího plynového spotřebiče nebo elektrického topení).
- Nepropichujte ani nespalujte.
- Upozorňujeme, že chladivo R32 může vydávat určitý zápach.
- Aby byly dodrženy příslušné ekologické a instalační normy a předpisy, včetně vyhlášky č. 2015-1790 nebo nařízení EU č. 517/2014, musí být chladicí okruh alespoň jednou ročně zkontrolován z hlediska těsnosti. Tuto operaci musí provést certifikovaný odborník na chladicí zařízení.
- Displej uchovávejte na suchém místě nebo zavřete jeho kryt, aby nedošlo k jeho poškození vlhkostí.

### **ÚDRŽBA: UPOZORNĚNÍ PRO SPOTŘEBIČE OBSAHUJÍCÍ CHLADIVO R32**

- Ve fázi údržby přístroje se kontroluje složení a stav teplotně odolné kapaliny a také nepřítomnost jakýchkoliv pozůstatků chladiva.
- Během každoroční kontroly těsnosti přístroje v souladu s platnými zákony ověřte, zda jsou tlakové spínače pro vysoký a nízký tlak správně připojené k chladicímu obvodu a zda přerušují elektrický obvod v případě vypnutí.
- Během fáze údržby se ujistěte, zda se kolem chladicích komponent nenacházejí stopy koroze nebo olejové skvrny.
- Hadici nepájejte ani nesvařujte; uvnitř zařízení je chladivo. Nedoplňujte plyn v uzavřeném prostoru.

#### ***Kontrola prostoru***

- Před zahájením prací na systémech obsahujících hořlavá chladiva je nutné provést bezpečnostní kontroly, aby se snížilo riziko jiskření.

#### ***Pracovní postup***

- Práce by měly být prováděny kontrolovaným postupem, aby se snížilo riziko úniku hořlavého plynu nebo výparů během práce.
- Před prováděním jakýchkoli prací na chladicím okruhu je nutné spotřebič zastavit a počkat několik minut před instalací teplotních nebo tlakových čidel, protože některá zařízení, jako je kompresor a potrubí, mohou dosáhnout teplot přesahujících 100 °C a vysokých tlaků, které mohou způsobit vážné popáleniny.

•

#### ***Obecný pracovní prostor***

- O prováděných pracích by měli být informováni všichni pracovníci údržby a další osoby pracující v bezprostředním okolí. Je třeba se vyhnout práci v uzavřených prostorách.

#### ***Kontrola přítomnosti chladiva***



- Před zahájením prací a v jejich průběhu by měl být prostor zkontrolován vhodným detektorem chladiva, aby byl technik upozorněn na přítomnost potenciálně toxické nebo hořlavé atmosféry. Ujistěte se, že je použité zařízení pro detekci úniku vhodné k použití se všemi příslušnými chladivami, tj. že nemůže způsobit jiskření, je řádně izolováno nebo je zcela bezpečné.

#### ***Přítomnost hasicího přístroje***

- Pokud se mají na chladicím zařízení nebo jeho souvisejících částech provádět práce při určité teplotě, musí být k dispozici vhodné hasicí zařízení. V blízkosti pracovního prostoru postavte suchý chemický hasicí přístroj nebo hasicí přístroj CO<sub>2</sub>.

#### ***Bez zdrojů vznícení***

- Osoby provádějící na chladicím systému práce, při nichž je nutné odkrýt potrubí, nesmí používat zdroj jisker, který by mohl představovat nebezpečí požáru nebo výbuchu. Všechny možné zdroje jisker, včetně cigaret, musí být v dostatečné vzdálenosti od místa instalace, opravy, demontáže nebo likvidace, kde by mohlo dojít k úniku chladiva do okolního prostoru. Před zahájením prací je třeba zkontrolovat okolí zařízení, zda nehrozí nebezpečí požáru nebo jiskření. Je nutné vyvěsit cedule „Zákaz kouření“.

#### ***Větrání prostoru***

- Před jakýmkoliv přístupem k zařízení za účelem provedení údržby se ujistěte, že je prostor otevřený a dobře větraný. Během údržby jednotky musí být zajištěno dostatečné větrání pro bezpečné rozptýlení chladiva, které se může uvolnit do atmosféry.

#### ***Kontrola chladicího zařízení***

- Vždy je třeba dodržovat doporučení výrobce týkající se péče a údržby. Při výměně elektrických součástí dbejte na to, aby byly použity pouze součásti stejného typu a kategorie, které jsou doporučeny/schváleny výrobcem. V případě pochybností se obraťte na technické oddělení výrobce.
- U zařízení používajících hořlavá chladiva je třeba provést následující kontroly:
  - značení na zařízení musí zůstat viditelné a čitelné, nečitelné značky nebo nápisy musí být opraveny;
  - potrubí nebo součásti chladicího systému jsou nainstalovány v poloze, kde je nepravděpodobné, že budou vystaveny působení jakýchkoliv látek, které by mohly způsobit korozi součástí obsahujících chladivo, pokud nejsou součásti vyrobeny z materiálů běžně odolných proti korozi nebo nejsou proti takové korozi dostatečně chráněny.

#### ***Kontrola elektrických součástí***

- Opravy a údržbu elektrických součástí musí zahrnovat počáteční bezpečnostní kontroly a postupy pro kontrolu součástí. Pokud dojde k poruše, která by mohla ohrozit bezpečnost, nesmí být k obvodu připojeno žádné el. napájení, dokud nebude porucha zcela odstraněna. Nelze-li závadu odstranit okamžitě, avšak práce musí pokračovat, je třeba najít vhodné dočasné řešení. Tuto skutečnost je třeba nahlásit vlastníkovvi zařízení, aby byly informovány všechny dotčené osoby.
- Opravy a údržba elektrických součástí musí zahrnovat následující počáteční bezpečnostní kontroly:
  - kondenzátory jsou vybity: toto se musí provést bezpečně, aby se zabránilo možnosti jiskření;
  - při nabíjení, renovaci nebo čištění systému nesmí být odkryty žádné elektrické součásti ani napájené kabely;
  - musí být trvale připojeno uzemnění.

#### ***Opravy izolovaných součástí***

- Při opravách izolovaných součástí musí být před odstraněním izolačních krytů apod. odpojeny všechny zdroje napájení od zařízení, na kterém se práce provádějí. Pokud je nezbytné, aby bylo zařízení během údržby napájeno, musí být na nejkritičtějších místech umístěno trvale fungující zařízení pro detekci úniku, které upozorní na případnou nebezpečnou situaci.
- Zvláštní pozornost je třeba věnovat následujícím bodům, aby při práci na elektrických součástech nebyl kryt změněn do takové míry, že by to ovlivnilo úroveň ochrany. Jedná se o poškozené kabely, nadměrný počet připojení, svorky neodpovídající původním specifikacím, poškozená těsnění, nesprávná instalace kabelových vývodů atd.
- Zkontrolujte, zda je zařízení řádně zajištěno.
- Ujistěte se, že těsnění nebo izolační materiály nejsou natolik znehodnoceny, že již nebrání vniknutí hořlavé atmosféry do obvodu. Náhradní díly musí odpovídat specifikacím výrobce.

#### ***Opravy jiskrově bezpečných součástí***

- Nepřipojujte do obvodu žádnou indukční zátěž nebo trvalou elektrickou kapacitu, aniž byste se ujistili, že nepřekračuje povolené napětí a proud pro používané zařízení.
- Běžně bezpečné součásti jsou jediné typy, se kterými lze pracovat v hořlavé atmosféře, jsou-li tyto součásti napájeny. Zkušební zařízení musí být příslušné třídy.
- Vyměňujte pouze součásti určené výrobcem. Jiné součásti by mohly při úniku chladiva do atmosféry vzplanout.

#### **Zapojení**

- Zkontrolujte, zda není kabeláž opotřebovaná, zkorodovaná, zda na ni nepůsobí nadměrný tlak, vibrace, není v kontaktu s ostrými hranami ani na ni nepůsobí jiné negativní vlivy prostředí. Při kontrole musí být zohledněny také účinky stárnutí nebo trvalých vibrací ze zdrojů, jako jsou kompresory nebo ventilátory.

#### **Detekce hořlavého chladiva**

- K vyhledávání nebo zjišťování úniku chladiva v žádném případě nepoužívejte potenciální zdroje jisker. Nesmí se používat halogenidová lampa (ani žádný jiný detektor využívající otevřený plamen).
- Následující metody detekce netěsností jsou považovány za přijatelné pro všechny chladicí systémy.
- K detekci úniku chladiva lze použít elektronické detektory úniku – v případě hořlavého chladiva však nemusí být jejich citlivost dostatečná nebo může být vyžadována recalibrace. (Detekční zařízení je nutné zkalibrovat na místě bez přítomnosti chladiva). Ujistěte se, že detektor není potenciálním zdrojem jisker a že je vhodný pro použité chladivo. Zařízení pro detekci úniku by mělo být nastaveno na procento LFL chladiva a mělo by být kalibrováno na použité chladivo. Musí být potvrzeno odpovídající procento plynu (maximálně 25 %).
- Kapaliny pro detekci úniků jsou vhodné i pro většinu chladiv, ale je třeba se vyvarovat použití čisticích prostředků s obsahem chlóru, protože by mohly reagovat s chladivem a způsobit korozi měděných trubek.
- Při podezření na únik je třeba udusit/uhastit všechny otevřené plameny.
- Při zjištění úniku chladiva, k jehož nápravě je vyžadováno pájení, musí být veškeré chladivo ze systému vypuštěno nebo izolováno (pomocí uzavíracích ventilů) v části systému dostatečně vzdálené od místa úniku.

#### **Odstranění a vypuštění**

- Při přístupu k chladicímu okruhu za účelem opravy nebo z jakéhokoliv jiného důvodu je třeba postupovat dle běžných postupů. V případě hořlavých chladiv je však nutné dodržet určitá doporučení, protože se jedná o hořlavinu. Je třeba dodržet následující postup:
  - Odstraňte chladicí kapalinu;
  - Pročistěte okruh inertním plynem (volitelně pro A2L);
  - Vypuštění (volitelně pro A2L);
  - Pročistěte inertním plynem (volitelně pro A2L);
  - Rozpojte okruh rozřezáním nebo pájením.
- Náplň chladiva musí být odebrána do příslušných zachytných nádob. U spotřebičů obsahujících jiná hořlavá chladiva než A2L musí být systém pročištěn dusíkem bez obsahu kyslíku, aby byl spotřebič vhodný pro hořlavá chladiva. Tento postup bude případně nutné několikrát zopakovat. K proplachování chladicích systémů nepoužívejte stlačený vzduch ani kyslík.

#### **Postup při plnění**

- Ujistěte se, že výstup čerpadla není v blízkosti potenciálního zdroje jisker a že je zajištěno odvětrávání.
- Kromě běžných postupů plnění musí být splněny následující požadavky.
- Zajistěte, aby při použití napouštěcího zařízení nedošlo ke kontaminaci mezi různými chladivy. Hadice nebo vedení by měly být co nejkratší, aby se snížilo množství chladiva, které je v nich obsaženo.
- Tlakové láhve musí být udržovány ve správné poloze podle pokynů.
- Před naplněním chladivem se ujistěte, že je chladicí systém uzemněn.
- Po naplnění systém označte (pokud již není označen).
- Dbejte zejména na to, abyste chladicí systém nepřeplnili.
- Před opětovným plněním systému musí být provedena tlaková zkouška pomocí vhodného proplachovacího plynu. Po dokončení plnění, avšak ještě před uvedením do provozu, je třeba zkontrolovat těsnost systému. Před opuštěním pracoviště by měla být provedena následná zkouška těsnosti.

#### **Demontáž**

- Před provedením demontáže se musí technik seznámit se zařízením a jeho vlastnostmi. Zejména se doporučuje, aby bylo veškeré chladivo pečlivě zachyceno. Před provedením tohoto úkolu je třeba odebrat

vzorek oleje a chladicí kapaliny, je-li před dalším použitím odebrané chladicí kapaliny nutná její analýza. Před zahájením tohoto úkolu je nutné zkontrolovat, zda je zajištěno el. napájení.

1. Seznamte se se zařízením a jeho obsluhou.
2. Elektricky izolujte systém.
3. Před zahájením postupu se ujistěte o těchto skutečnostech:
  - Pro případ potřeby je k dispozici mechanická manipulační zařízení pro manipulaci s lahvemi s chladivem;
  - Všechny osobní ochranné prostředky jsou k dispozici a jsou řádně používány;
  - Proces zachycení je neustále sledován kompetentní osobou;
  - Zařízení a záchytné lahve splňují příslušné normy.
4. Pokud je to možné, vyprázdněte chladicí systém.
5. Nelze-li vytvořit podtlak, nainstalujte sběrné zařízení, aby bylo možné odebírat chladivo z různých míst systému.
6. Před zahájením zachycování se ujistěte, že je láhev na váze.
7. Spusťte zachycovací zařízení a pracujte s ním podle pokynů.
8. Lahve nepřepĺňujte (maximálně 80 % objemu kapalné náplně).
9. Nepřekračujte maximální provozní tlak lahve, a to ani dočasně.
10. Po správném naplnění lahví a dokončení procesu zajistěte, aby byly lahve a zařízení neprodleně odstraněny z pracoviště a aby byly na zařízení uzavřeny alternativní uzavírací ventily.
11. Zachyceným chladivem neplňte jiný chladicí systém, nebude-li nejdřív vyčištěno a zkontrolováno.

#### **ŘEŠENÍ PROBLÉMŮ**

- Veškeré pájení by měli provádět kvalifikovaní páječi.
- Výměna trubek může být provedena pouze měděnými trubkami, které odpovídají normě NF EN 12735-1.
- Detekce netěsností, případy tlakových zkoušek:
  - Nikdy nepoužívejte kyslík ani suchý vzduch, riziko požáru nebo výbuchu,
  - Použijte bezvodý dusík nebo směs dusíku a chladiva uvedeného na typovém štítku,
  - Tlak u zkoušky nízkého a vysokého tlaku nesmí překročit 42 barů v případě, že je přístroj vybaven manometrem.
- Pro potrubí vysokotlakého okruhu provedeného měděnou trubkou o průměru  $\geq 1\frac{5}{8}$ , si vyžádejte u dodavatele a uschovejte v technickém spisu instalace osvědčení §2.1 podle normy NF EN 10204.
- Technické informace o bezpečnostních požadavcích různých použitých směrnice jsou uvedeny na typovém štítku. Všechny tyto informace je nutno zaznamenat do návodu k instalaci zařízení, který musí být součástí technické složky instalace: model, kód, výrobní číslo, maximální a/nebo minimální povolená teplota, maximální povolený tlak, rok výroby, značení CE, adresa výrobce, chladicí médium a hmotnost, elektrické parametry, termodynamický a akustický výkon.

#### **OZNAČENÍ ŠTÍTKEM**

- Zařízení by mělo být označeno štítkem s vyznačenou informací, že bylo vyřazeno z provozu a že toto chladivo bylo vypuštěno.
- Štítek musí být opatřen datem a podpisem.
- U zařízení obsahujících hořlavé chladivo zajistěte, aby byly na zařízení připevněny štítky označující, že toto zařízení obsahuje hořlavé chladivo.

#### **ZACHYCENÍ**

- Při vypouštění chladiva z důvodu údržby nebo vyřazení z provozu se doporučuje dodržet osvědčenou praxi a bezpečně vypustit veškeré chladivo.
- Při přečerpávání chladiva do lahve se ujistěte, že je použita záchytná láhev vhodná pro příslušné chladivo. Ujistěte se, že máte k dispozici správný počet lahví pro zachycení veškeré kapaliny. Všechny používané lahve musí být určeny k zachycení chladiva a musí být označeny pro dané chladivo. Tlakové lahve by měly být vybaveny podtlakovým ventilem a uzavíracími ventily v dobrém stavu. Záchytné lahve jsou před zachycením prázdné a pokud možno ochlazené.
- Záchytné zařízení musí být v dobrém provozním stavu, návod k použití zařízení musí být snadno dostupný a zařízení musí být vhodné pro dané chladivo, případně včetně hořlavého chladiva. Kromě toho musí být k dispozici soustava kalibrovaných vah v dobrém stavu. Hadice musí být kompletní, bez netěsností nebo

rozpojených spojů a v dobrém stavu. Před použitím záchytného zařízení, zkontrolujte, zda je v dobrém provozním stavu, zda prošlo řádnou údržbou a zda jsou související elektrické součásti utěsněny, aby se zabránilo požáru v případě úniku chladiva. V případě pochybností se obraťte na výrobce.

- Zachycené chladivo je nutné vrátit dodavateli chladiva v záchytné lahvi s dokladem o předání odpadu. V záchytných jednotkách nemíchejte různá chladiva, a to zejména v lahvích.
- Při demontáži kompresoru nebo vypouštění kompresorového oleje zkontrolujte, zda bylo vypuštěno chladivo, aby se zabránilo jeho smísení s mazivem. Před vrácením kompresoru dodavateli je nutné jej vyprázdnit. K urychlení tohoto procesu lze použít pouze elektrický ohřev tělesa kompresoru. Pokud jsou všechny kapaliny v systému vypuštěny, měla by to být tato činnost provedena bezpečně.



### **Recyklace**

Tento symbol vyžadovaný evropskou směrnicí 2012/19/EU (směrnice o odpadních elektrických a elektronických zařízeních) znamená, že vaše zařízení nesmí být vyhozeno. Bude selektivně sbírán za účelem opětovného použití, recyklace nebo využití. Pokud obsahuje látky, které jsou potenciálně nebezpečné pro prostředí, pak tyto látky budou odstraněny nebo neutralizovány. Požádejte svého prodejce o informace o způsobu recyklace.

# MINI HEATER

## Návod k instalaci a obsluze

### REJSTŘÍK

1. Specifikace
2. Podmínky přepravy
3. Rozměr
4. Instalace a připojení
5. Elektrické rozvody
6. Fungování řídicí jednotky
7. Průvodce řešením problémů
8. Výkres
9. Údržba
10. Příslušenství

Děkujeme, že jste si pro ohřev vody v bazénu vybrali bazénové tepelné čerpadlo Mini heater, které ohřívá vodu v bazénu a udržuje ji na konstantní teplotě, když je okolní teplota vyšší než 12 °C.



**POZOR: V této příručce jsou uvedeny všechny informace, které jsou potřeba k používání a instalaci tepelného čerpadla.**

Pracovník provádějící instalaci si musí přečíst návod a pečlivě dodržovat pokyny pro použití, uvedení do provozu a bezpečné používání produktu.

Za instalaci spotřebiče a za dodržování pokynů výrobce a platných předpisů je odpovědná osoba provádějící instalaci. Při nedodržení tohoto návodu dojde k propadnutí veškerých záruk.

Výrobce nenesе žádnou odpovědnost za zdraví osob nebo věcné škody ani za chyby způsobené instalací ve špatných podmínkách.

Jakékoliv použití k jiným účelům, než pro které bylo původně vyrobeno, bude považováno za nebezpečné.

# 1. Specifikace

## 1.1 Tepelné bazénové čerpadlo

Jednotka	HPM20	HPM30	HPM40
Kód	71245	71258	71606
<b>* Topný výkon Vzduch 28 °C/Voda 28 °C/Vlhkost 80 %.</b>			
Výkon (kW)	2,5	4,2	5,5
Spotřeba energie (kW)	0,59	1	1,31
COP	4,2	4,2	4,2
<b>* Topný výkon Vzduch 15 °C/Voda 26 °C/Vlhkost 70 %.</b>			
Výkon (kW)	1,9	3,2	4,2
Spotřeba energie (kW)	0,56	0,91	1,2
COP	3,4	3,5	3,5
<b>* Data</b>			
Napájení (V)	220-240 V~50 Hz/1PH		
Jmenovitý proud (A)	2.6	4,4	5,8
Doporučený jistič (A)	7,5	10	16
Doporučený objem bazénu max** (m <sup>3</sup> )	<20	<30	<40
Minimální a doporučený průtok vody (m <sup>3</sup> /h)	2	2	2,5
Maximální/minimální pracovní tlak (Mpa)	4,2/0,05		
Tlak vody (Kpa)	15	15	15
Tepelný výměník	Titan v PVC		
Stupeň krytí	IPX4		
Průměr vstupního a výstupního otvoru (mm)	38/32		
Hladina hluku ve vzdálenosti 10 m dB(A)	48	46	46
Hladina hluku ve vzdálenosti 1 m dB(A)	57	55	55
Chladicí plyn R32 (g)	160	290	400
<b>* Velikost a hmotnost</b>			
Čistá hmotnost (kg)	18	26	30
Hrubá hmotnost (kg)	19	28,5	33
Rozměr (mm)	313 × 364,5 × 428,5	435 × 436,5 × 511,5	515 × 487 × 541,5
Rozměry obalu (mm)	380 × 455 × 500	496 × 525 × 575	570 × 570 × 605

\* Výše uvedené údaje se mohou změnit bez předchozího upozornění.

\*\* Více informací naleznete na našem obalu nebo na webových stránkách.

## 2. Podmínky přepravy

### 2.1 Pokyny pro doručení balíku



Před přepravou je tepelné čerpadlo ve výrobním závodě upevněno na paletě a zabaleno do ochranného kartonu. Aby nedošlo k poškození, musí být tepelné čerpadlo přepravováno **zabalené na paletě**.

I v případě, že přeprava probíhá na náklady dodavatele, může dojít k poškození jakéhokoliv materiálu na cestě k zákazníkovi. Příjemce je povinen se ujistit, že dodávka byla doručena v pořádku. Příjemce je povinen při převzetí zaznamenat písemné výhrady na dodacím listu dopravce, pokud zjistí poškození obalu. **NEZAPOMEŇTE TYTO VÝHRADY POTVRDIT DOPORUČENÝM DOPISEM DOPRAVCI DO 48 HODIN.**

### 2.2 Pokyny pro skladování



Tepelné čerpadlo musí být **uloženo a přemístováno ve vzpřímené poloze** v původním obalu. V opačném případě jej nelze okamžitě uvést do provozu. Před zapnutím výrobku je nutné počkat minimálně 24 hodin.

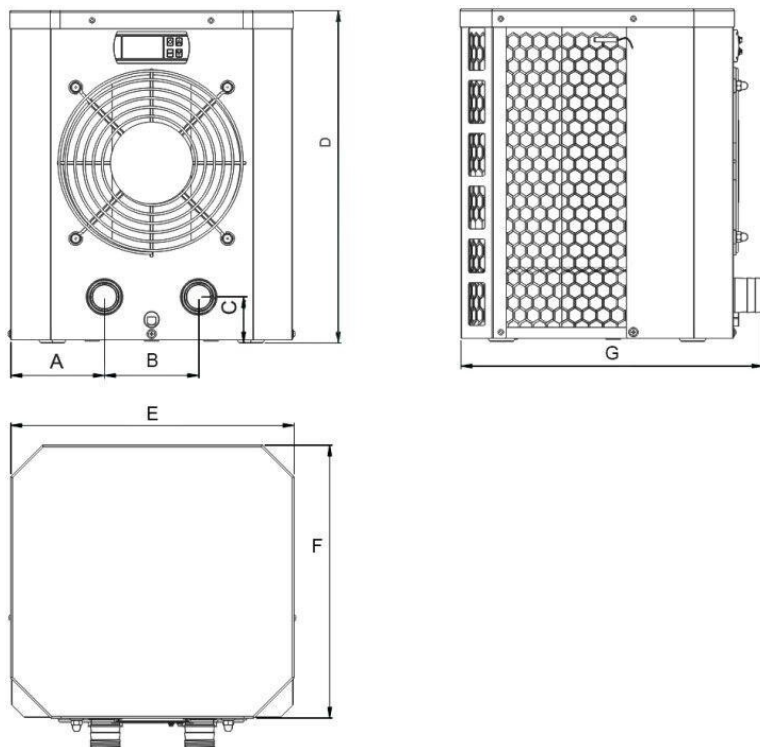
### ZÁKAZ



### 2.3 Pokyny pro přemístění tepelného čerpadla na konečné místo instalace

Při vybalování a přenášení výrobku z původní palety na konečné místo instalace musí být tepelné čerpadlo ve svislé poloze. Hydraulické spojky nemají plnit funkci zvedací rukojeti, naopak: **kvůli hmotnosti čerpadla na výstupech a vstupech hydraulických přípojek může dojít k trvalému poškození výrobku. Výrobce nenesse odpovědnost za případné rozbití.**

### 3. Rozměr



Položka / (mm)	A	B	C	D	E	F	G
<b>HPM20</b>	90,4	130	50	428,5	313	300	364,5
<b>HPM30</b>	116,5	200	50	511,5	435	365	436,5
<b>HPM40</b>	134,6	260	50	541,5	515	421	487



## 4. Instalace a připojení

### **Pozor:**

Před instalací věnujte pozornost následujícím informacím:

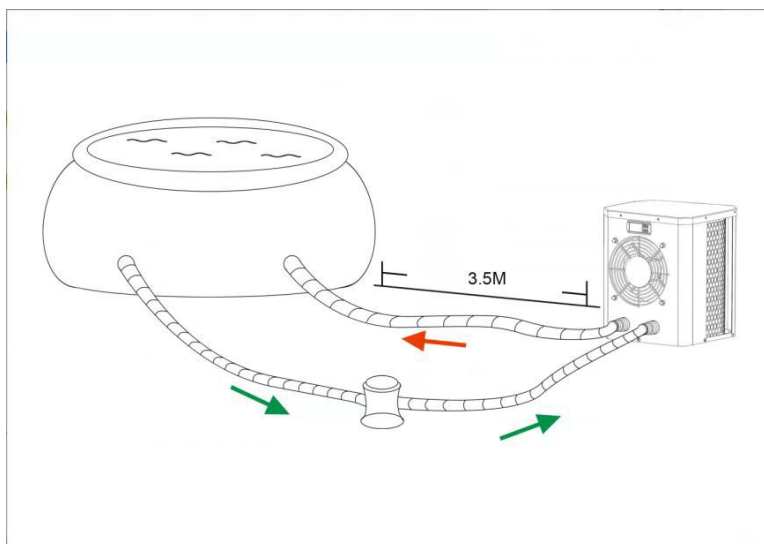
1. Všechny výrobky obsahující chemické kapaliny musí být instalovány za tepelným čerpadlem bazénu.
2. Bazénové tepelné čerpadlo nechte vždy ve svislé poloze. Pokud byl stroj během přepravy nakloněn, počkejte před spuštěním tepelného čerpadla alespoň 24 hodin.

### **4.1 Umístění tepelného čerpadla bazénu**

Zařízení lze instalovat téměř kdekoli ve venkovním prostředí, pokud jsou splněny tři podmínky:

#### **1. Dobrá ventilace – 2. Stabilní a spolehlivé napájení – 3. Systém recyklované vody**

Jednotku lze instalovat na libovolném venkovním místě, pokud jsou dodrženy minimální vzdálenosti uvedené na obrázku (níže). V případě instalace v interiéru požádejte o radu svého instalatéra. Instalace ve větrné oblasti není problém, pokud není v blízkosti plynový ohřívač (riziko plamenů).



**POZOR:** Přístroj by neměl být instalován na místech s omezenou ventilací nebo na místech, kde nelze zajistit nepřetržitý přísuv vzduchu. Zajistěte, aby nikdy nemohlo dojít k zablokování přísuvu vzduchu. Na výparník se může nalepit listí a jiné nečistoty, což snižuje jeho účinnost a ovlivňuje jeho životnost.

### **4.2 První uvedení jednotky do provozu**

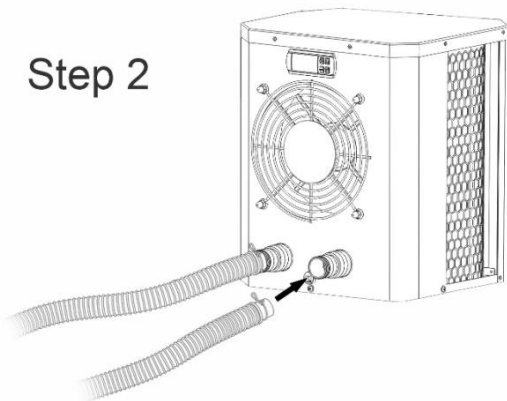
**Poznámka:** Aby se voda v bazénu (nebo lázních) ohřívala, musí být v provozu filtrační čerpadlo, které zajišťuje cirkulaci vody přes tepelné čerpadlo. Pokud voda neproudí, tepelné čerpadlo spustí ochranu proti přehřátí a dojde k vypnutí.

### 4.3 Připojení hadice

Step 1



Step 2



#### Poznámka:

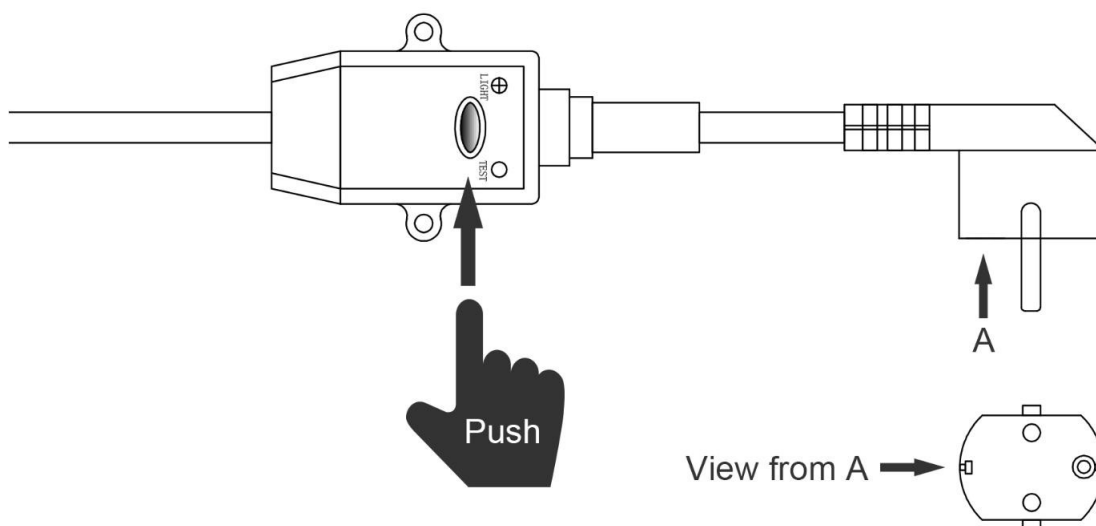
Dodává se pouze tepelné čerpadlo. Všechny ostatní součásti, včetně hadic, musí dodat uživatel nebo montážní firma.

### 4.4 Elektrické připojení

Před připojením zařízení zkontrolujte, zda napájecí napětí odpovídá provoznímu napětí tepelného čerpadla.

Zásuvka RCD je dodávána s napájecím kabelem, který poskytuje elektrickou ochranu.

Testovací tlačítko slouží ke kontrole kapacity jističe.



## **Pozor:**

<p><b>Ujistěte se, že je elektrická zásuvka v souladu s normami</b></p> <p>Pokud není zástrčka správně připojena, hrozí nebezpečí úrazu elektrickým proudem, přehřátí a požáru.</p> 	<p><b>Nikdy neodpojujte zástrčku ze zásuvky, pokud je tepelné čerpadlo v provozu.</b></p> <p>V opačném případě hrozí nebezpečí úrazu elektrickým proudem nebo požáru v důsledku přehřátí.</p> 	<p><b>Nikdy nepoužívejte poškozené ani nevhodné elektrické kabely.</b></p> <p>V opačném případě by to mohlo vést k úrazu elektrickým proudem, přehřátí a požáru.</p> 
---	---	--

Jakmile zapojíte veškerá připojení, postupujte podle následujících kroků:

- (1) Zapněte filtrační čerpadlo, zkontrolujte případné úniky vody a průtok v bazénu.
- (2) Zapněte el. napájení zařízení a stiskněte tlačítko ON/OFF na ovladači.
- (3) Po několika minutách provozu se ujistěte, že je odvětrávaný vzduch studený.
- (4) Při deaktivaci filtračního čerpadla by se měla automaticky deaktivovat i jednotka. V opačném případě zkontrolujte průtokový spínač.

V závislosti na počáteční teplotě vody v bazénu a teplotě vzduchu je nutné systém provozovat několik dní, aby se voda ohřála na požadovanou teplotu.

Při vhodné ochraně bazénu (kryt, sluneční clona) se může výrazně zkrátit potřebná doba.

### **Načasování:**

Přístroj je vybaven vestavěnou třiminutovou ochranou proti zpožděnému restartu. Časovač je nedílnou součástí řídicího a ochranného obvodu kompresoru.

Funkce časovače zabraňuje automatickému restartování zařízení (po dobu přibližně 3 minut) po každém přerušení ovládání. I při krátkém přerušení napájení se aktivuje třiminutový časovač, který zabrání opětovnému spuštění zařízení, dokud neskončí třiminutové odpočítávání.

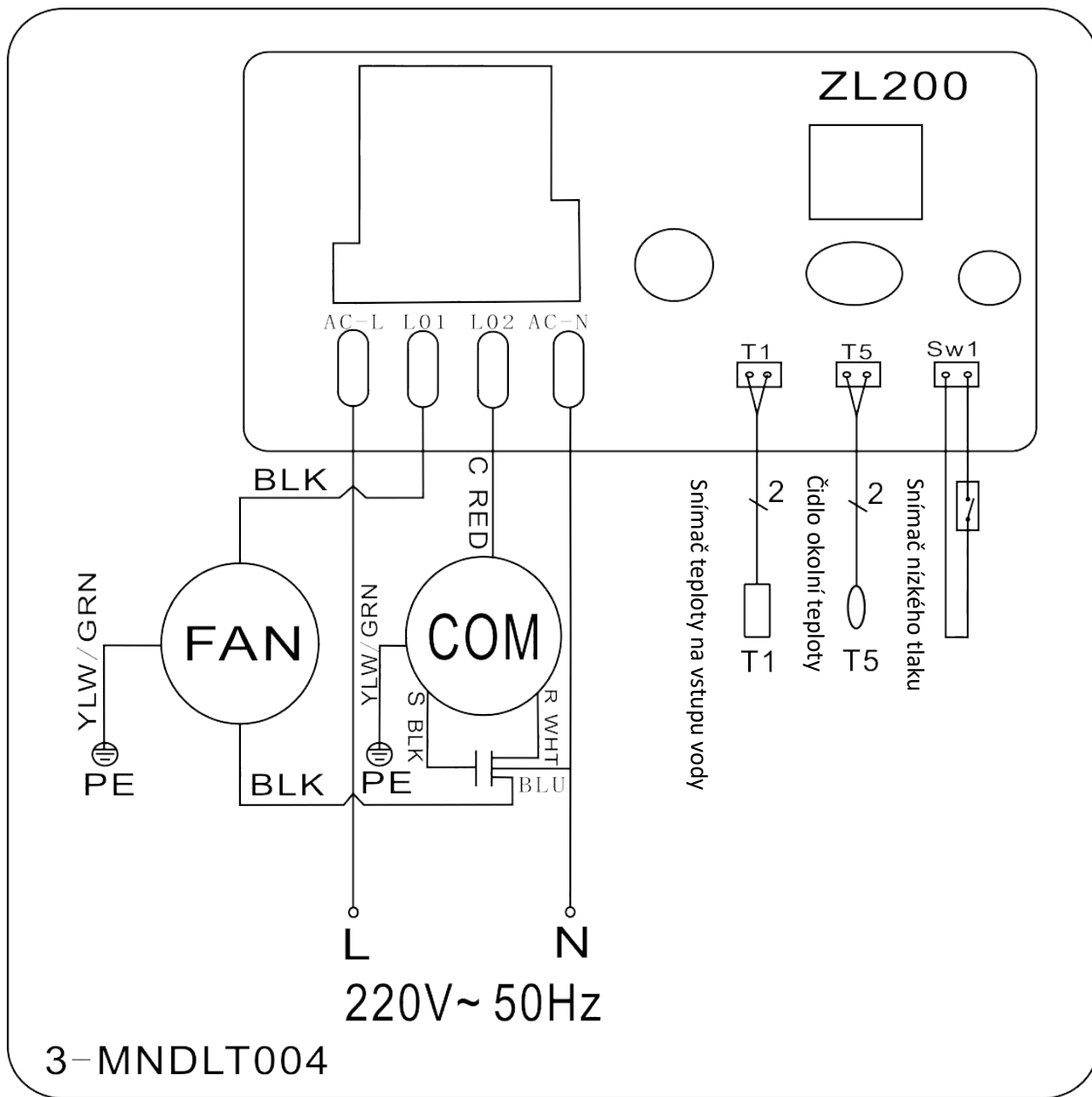
### **4.5 Kondenzace**

Vzduch nasávaný do tepelného čerpadla je silně ochlazován provozem tepelného čerpadla, které ohřívá vodu v bazénu, což může vést ke kondenzaci na žebrech výparníku. Při vysoké relativní vlhkosti vzduchu se může jednat o zkondenzovaný objem až několika litrů za hodinu. To je někdy mylně považováno za únik vody.

## 5. Elektrické rozvody

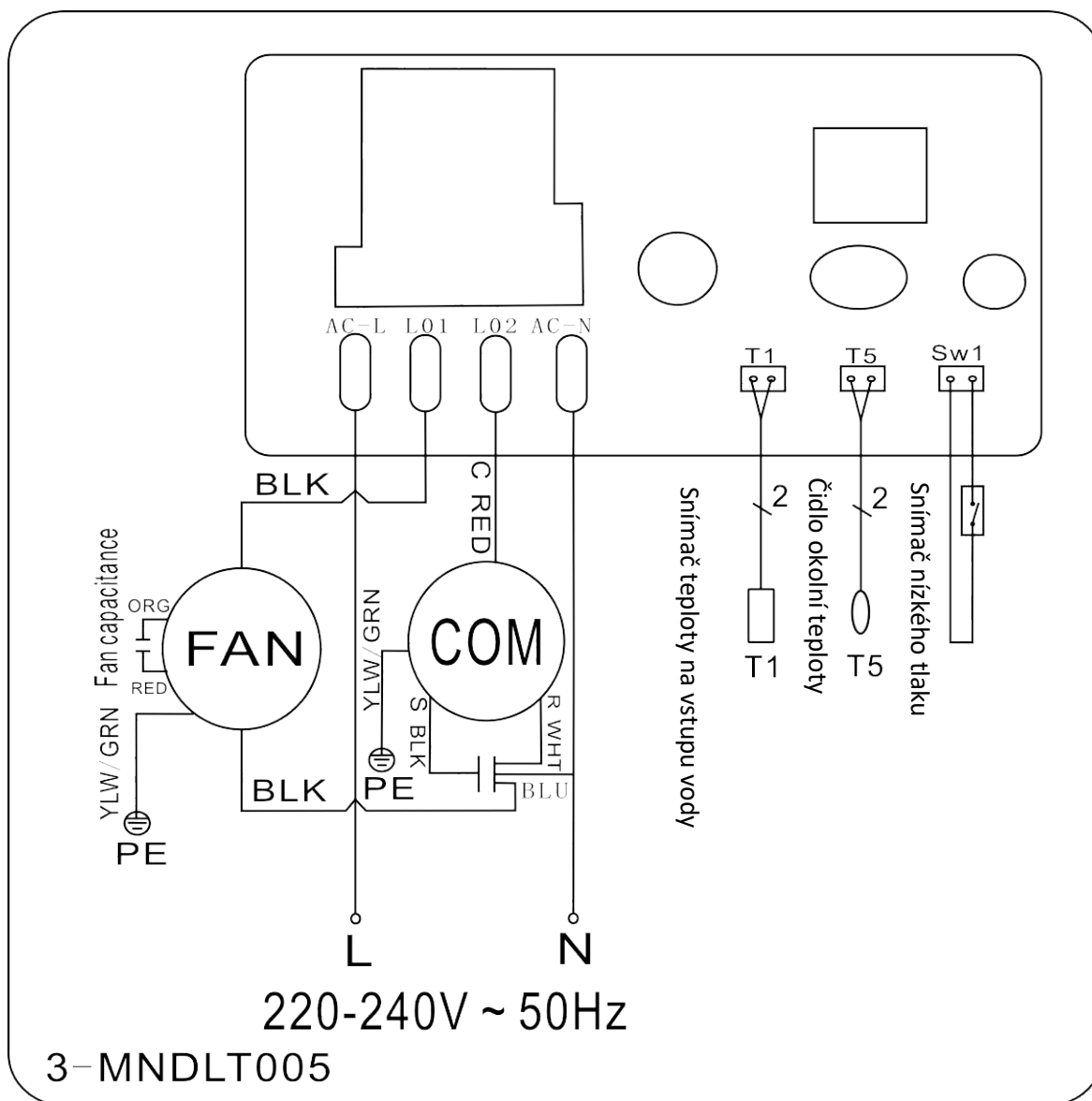
### 5.1 Schéma zapojení tepelného čerpadla bazénu

HPM20



## 5.2 Schéma zapojení tepelného čerpadla bazénu

HPM30/HPM40



### POZNÁMKA:

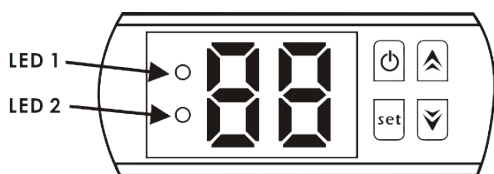
(1) Výše uvedené schéma elektrického zapojení slouží pouze pro vaši informaci; použijte schéma zapojení zobrazené na stroji.

(2) Bazénové tepelné čerpadlo musí být dobře uzemněno, i když je tepelný výměník elektricky oddělen od zbytku jednotky. Uzemnění jednotky je vždy nutné, abyste byli chráněni před možným zkratem jednotky.

**Odpojovač:** Zařízení pro přerušování elektrického proudu (jistič, pojistkový spínač) musí být na dohled a snadno přístupný z jednotky. Jedná se o běžnou a bezpečnou praxi u tepelných čerpadel pro obytné a komerční účely. Umožňuje dálkové vypnutí bezobslužného zařízení a odpojení napájení jednotky během její opravy.

## 6. Fungování řídicí jednotky


### 6.1 Funkce ovládacího panelu LED




Když je tepelné čerpadlo v provozu, na displeji LED se zobrazuje teplota přiváděné vody.



Pokud je tepelné čerpadlo v provozu, rozsvítí se LED 1. Pokud je tepelné čerpadlo vadné, rozsvítí se kontrolka LED 2.

### 6.2 Spuštění nebo zastavení tepelného čerpadla

Stisknutím  tlačítka spustíte tepelné čerpadlo, na displeji se na 5 sekund zobrazí požadovaná teplota a poté teplota vstupní vody.

Stisknutím  tlačítka zastavíte tepelné čerpadlo.





### 6.3 Nastavení teploty vody:

Stiskněte  a poté  pro výběr požadované teploty (hodnota: 10 – 42 °C).

Stiskněte  a poté  pro uložení vybrané hodnoty.

**POZNÁMKA:** Upozorňujeme, že tepelné čerpadlo funguje pouze tehdy, je-li v provozu filtrační systém.

### 6.4 Kontrola parametrů

V pohotovostním nebo provozním režimu stiskněte tlačítko  , poté stiskněte  nebo  a vyberte parametr d0 nebo d1, stiskněte  tlačítko a vyberte jej. Zobrazí se příslušná hodnota.

Parametr	Parametr
d0	Okolní teplota
d1	Teplota vody

**Poznámka:** Hodnoty nelze uživatelsky měnit.

## 7. Průvodce řešením problémů

### 7.1 Kód chyby zobrazený na ovládacím panelu

Porucha	Kód chyby	Důvod	Řešení
Příliš nízká ochrana proti okolní teplotě	P0	1. Okolní teplota je nižší než 12 °C 2. Porucha řídicí jednotky.	1. Počkejte, až okolní teplota stoupne na 13 °C. 2. Vyměňte řídicí jednotku.
Porucha čidla teploty vody	P1	Rozpojený nebo zkratovaný snímač teploty vody.	Vyměňte čidlo teploty vody.
Čidlo okolní teploty	P2	Čidlo okolní teploty je otevřené nebo zkratované.	Vyměňte čidlo okolní teploty.
Ochrana proti nízkému tlaku	EL	1. Odpojený nebo vadný nízkotlaký spínač 2. Únik plynu.	Práci na plynovém okruhu svěřte autorizovanému technikovi.

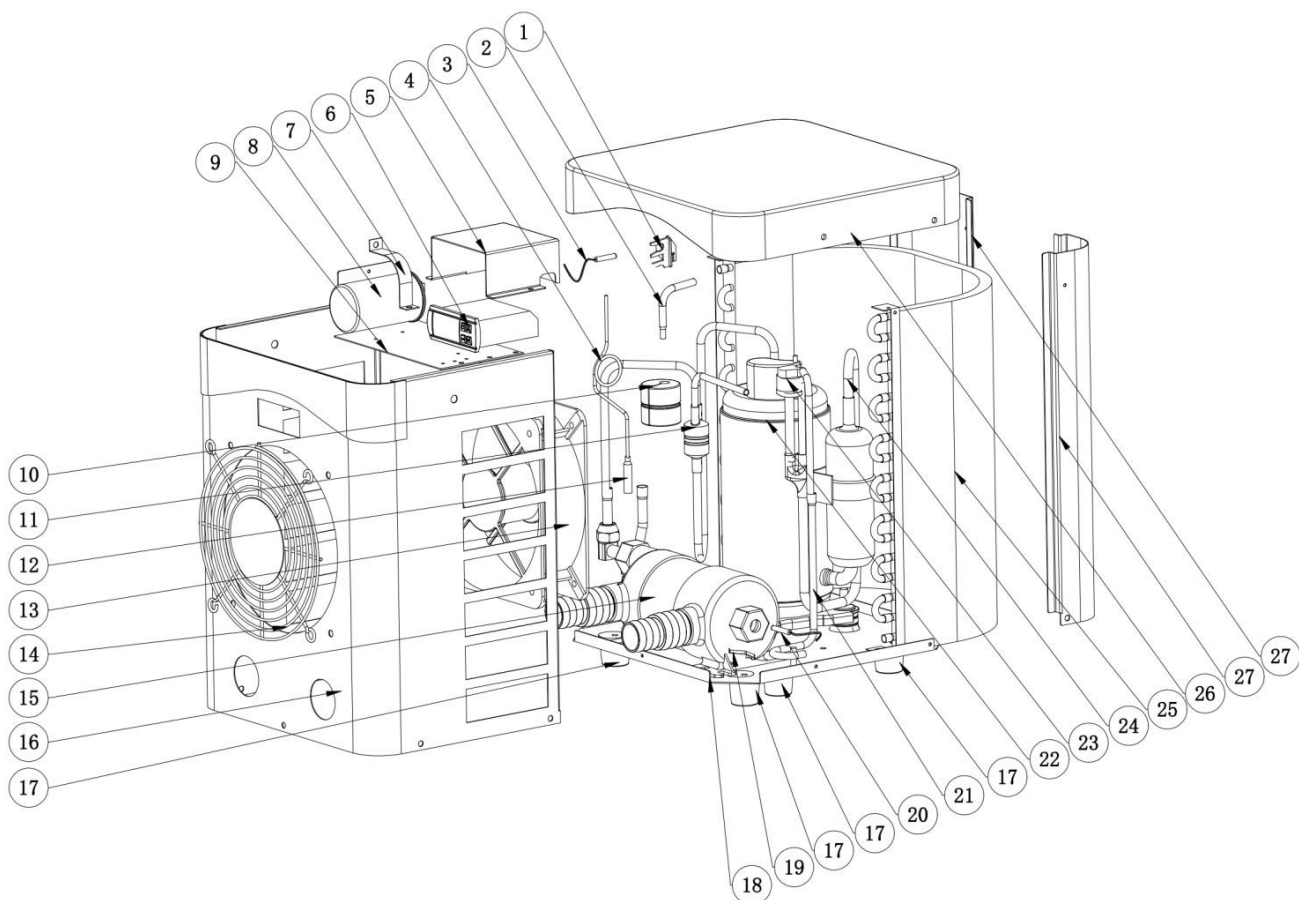
## 7.2 Další poruchy a jejich řešení (nezobrazují se na LED řídicí jednotky)

Poruchy	Poznámky	Důvody	Řešení
Nefunkční tepelné čerpadlo	Bez zobrazení na ovladači LED	Žádné napájení.	Zkontrolujte jistič a elektrické připojení
	Kontrolka LED zobrazuje aktuální teplotu vody.	1. Teplota vody dosáhne nastavené hodnoty, tepelné čerpadlo se vypne v pohotovostním režimu. 2. Tepelné čerpadlo právě začalo pracovat (3 minuty)	1. Zkontrolujte nastavení teploty vody. 2. Počkejte několik minut, než se tepelné čerpadlo spustí.
Krátký provoz	Kontrolka LED zobrazuje aktuální teplotu vody, chybové kódy se nezobrazují.	1. Nefunkční ventilátor 2. Větrání vzduchu je nedostatečné 3. Nedostatečné množství chladiva.	1. Zkontrolujte propojení kabelů mezi motorem a ventilátorem, v případě potřeby je vyměňte. 2. Zkontrolujte umístění jednotky tepelného čerpadla a odstraňte všechny překážky bránící dobrému větrání. 3. Výměna nebo oprava tepelného čerpadla
Skvrny od vody	Únik vody pod tepelným čerpadlem	1. Kondenzát unikající z výparníku za provozu. 2. Prosakování vody	1. Žádná akce, běžný provoz tepelného čerpadla. 2. Zkontrolujte těsnost titanového výměníku tepla.



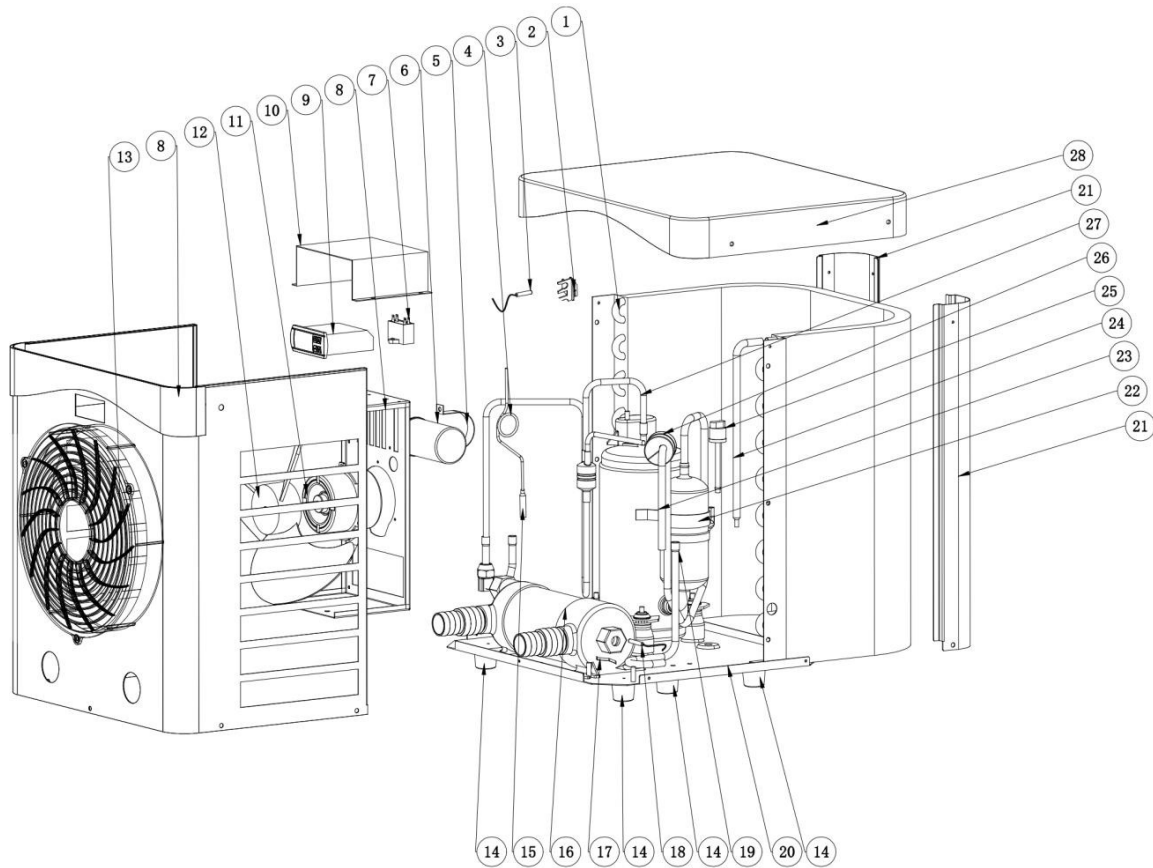
## 8. Výkres

Jednotka: HPM20



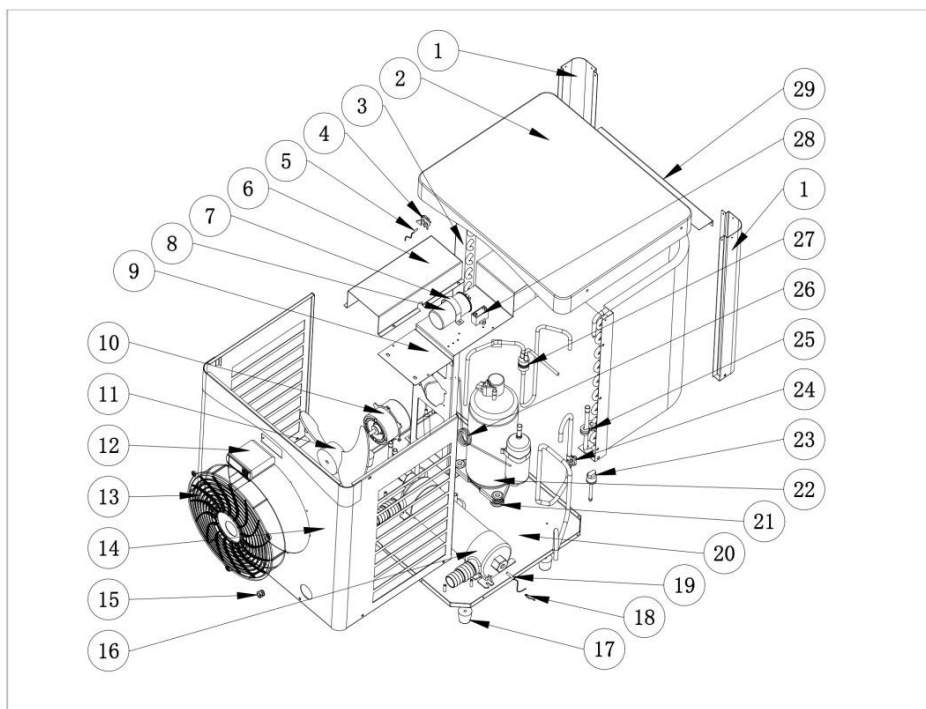
č.	Označení	HPM20	č.	Označení	HPM20
1	Senzorová svorka	102040891	15	Titanový výměník	102040891
2	Plynová trubice	108680047	16	Přední panel	108680047
3	Teplotní čidlo T5	136020168	17	Gumové nožičky	136020168
4	Kapiláry	108680045	18	Základna	108680045
5	Elektrická skříň	108010025	19	Spona	108010025
6	Řídicí jednotka	117110068	20	Čidlo teploty vody T1	117110068
7	Upevňovací spona	113050123	21	Měděné sběrné zařízení	113050123
8	Kondenzátor kompresoru	101000233	22	Kompresor	101000233
9	Horní panel ventilátoru	116000091	23	Nízkotlaký mini spínač	116000091
10	Gumové kladívko	113010300	24	Plynová trubice	113010300
11	Zpětné plynové potrubí	103000236	25	Výparník	103000236
12	Plynová trubice	133400001	26	Horní panel	133400001
13	Podpěra ventilátoru	108680046	27	Levý zadní sloupek	108680046
14	Ochranná mřížka ventilátoru				

**Jednotka: HPM30**



č.	Označení	HPM30	č.	Označení	HPM30
1	Výparník	103000237	15	Plynová trubice	113100027
2	Spona pro teplotní čidlo	133020010	16	Titanový výměník tepla	102040900
3	Čidlo okolní teploty	117110079	17	Spona	108010025
4	Kapiláry	109000038	18	Snímač teploty přívodu vody T1	117110068
5	Upevňovací spona	108010006	19	Plynová trubice	113050125
6	Kondenzátor kompresoru	111000011	20	Základna	108690033
7	Kondenzátor ventilátoru	111000034	21	Levý zadní sloupek	108690048
8	Přední panel	108690047	22	Kompresor	101000232
9	Řídicí jednotka	117020189	23	Plynová trubice	113020467
10	Elektrická skříň	108690015	24	Plynová trubice	113420129
11	Motor ventilátoru	112000054	25	Snímač nízkého tlaku	116000091
12	Ventilátor	132000024	26	Gumové kladívko	136020026
13	Ochranná mřížka ventilátoru	133020052	27	Plynová trubice	113010351
14	Gumové nožičky	136020168	28	Horní panel	133330004

## Jednotka: HPM40



č.	Označení	HPM40	č.	Označení	HPM40
1	Levý zadní sloupek	108950009	16	Titanový výměník tepla	117020363
2	Horní panel	133440001	17	Gumové nožičky	136020168
3	Výparník	103000343	18	Spona pro teplotní čidlo	108010025
4	Příchytka pro montáž sondy	133020010	19	Snímač teploty na vstupu vody T1	117110068
5	Snímač napájecí teploty voda T1	117110068	20	Základna	108950007
6	Elektrická skříň	108950006	21	Gumové nožičky	101000241
7	Upevňovací spona	108010006	22	Kompresor	101000241
8	Kondenzátor kompresoru	111000012	23	Snímač nízkého tlaku	116000091
9	Podpěra motoru ventilátoru	108950010	24	Plynová trubice	113020602
10	Motor ventilátoru	112000079	25	Řídicí jednotka	136020018
11	Ventilátor	132000024	26	Kapiláry	109000038
12	Řídicí jednotka	117020302	27	Plynová trubice	113020624
13	Ochranná mřížka ventilátoru	133020052	28	Kondenzátor ventilátoru	111000034
14	Přední panel	108950008	29	Podpěrná deska pro držák	108950011
15	Kabelová průchodka	142000126	30	Gumové nožičky	101000241

## 9. Údržba

(1) Pravidelně je nutné kontrolovat vodní okruh, abyste zabránili vniknutí vzduchu do potrubí a nízkému průtoku, protože se tím snižuje výkon a spolehlivost tepelného čerpadla.

(2) Pravidelně čistěte bazén a filtrační systém.

(3) V zimě nebo při poklesu okolní teploty pod 0 °C vždy vypusťte vodu z tepelného čerpadla. V opačném případě dojde k poškození titanového výměníku v důsledku zamrznutí, čímž propadne záruka.

(4) Před opětovným spuštěním zařízení zcela naplňte systém vodou.

(5) Když je jednotka v provozu, vždy se zesponu vypouští kondenzovaná voda.

## 10. Příslušenství



## **CS – ZÁRUČNÍ LISTINA**

### **1 OBECNÉ ASPEKTY**

**4.6** V souladu s těmito ustanoveními prodávající zaručuje, že výrobek, na který se vztahuje tato záruka (dále jen „výrobek“), je ke dni dodání bez vad ve shodě.

**4.7** Záruční doba na výrobek je dva (2) roky a počítá se od okamžiku doručení výrobku kupujícímu.

**4.8** Pokud dojde k neshodě výrobku a kupující to oznámí Prodávajícímu během záruční doby, prodávající výrobek opraví nebo vymění na vlastní náklady na místě, které považuje za vhodné, není-li to nemožné nebo neúměrné.

**4.9** Pokud výrobek nelze opravit nebo vyměnit, může kupující požadovat poměrné snížení ceny nebo, je-li neshoda dostatečně závažná, odstoupení od kupní smlouvy.

**4.10** Díly vyměněné nebo opravené v rámci této záruky neprodlužují záruční dobu původního výrobku, ale vztahuje se na ně jejich vlastní záruka.

**4.11** Aby byla tato záruka účinná, musí kupující prokázat datum nákupu a dodání výrobku.

**4.12** Pokud od dodání výrobku kupujícímu uplynulo více než šest měsíců a kupující namítá neshodu výrobku, je kupující povinen prokázat původ a existenci namítané vady.

**4.13** Tento záruční list neomezuje ani nepředjímá práva spotřebitelů v oblasti ochrany spotřebitele podle vnitrostátních norem závazné povahy.

### **2 ZVLÁŠTNÍ PODMÍNKY**





- Tato záruka se vztahuje na výrobky uvedené v této příručce.
- Tento záruční list platí pouze v zemích Evropské unie.
- Aby byla tato záruka účinná, musí kupující důsledně dodržovat pokyny výrobce vztahující se k příslušné výrobní řadě a modelu výrobku a uvedené v dokumentaci, která je přiložena k výrobku.
- Pokud je stanoven harmonogram výměny, údržby nebo čištění určitých dílů nebo součástí výrobku, je záruka platná pouze v případě, že byl tento harmonogram dodržen správně.

### **3 OMEZENÍ**

- Tato záruka se vztahuje pouze na prodej spotřebitelům, přičemž pod pojmem „spotřebitel“ se rozumí jakákoliv osoba, která výrobek zakoupí pro jiné účely, než je její profesní činnost.
- Na běžné opotřebení způsobené používáním výrobku se nevztahuje žádná záruka. Pokud jde o zaměnitelné nebo spotřební díly, součásti a/nebo materiály, jako jsou baterie, žárovky atd., je třeba dodržovat ustanovení dokumentace přiložené k výrobku, pokud je to relevantní.
- Záruka se nevztahuje na případy, kdy výrobek: (I) bylo nesprávně zacházeno; (II) bylo opravován, servisován nebo s ním bylo manipulováno neoprávněnou osobou nebo (III) byl opravován nebo servisován s použitím neoriginálních dílů. Pokud je neshoda výrobku způsobena nesprávnou instalací nebo uvedením do provozu, platí tato záruka pouze v případě, že je tato instalace nebo uvedení do provozu zahrnuto ve smlouvě o koupi a prodeji výrobku a bylo provedeno prodávajícím nebo na jeho odpovědnost.



## UPOZORNENIA

	Tento symbol označuje, že ďalšie informácie sú k dispozícii v návode na obsluhu alebo v návode na inštaláciu.		Tento symbol označuje, že spotrebič používa chladiaci prostriedok R32 s pomalou rýchlosťou horenia.
	Tento symbol označuje, že si treba pozorne prečítať návod na obsluhu.		Tento symbol označuje, že servisný technik má s týmto zariadením manipulovať v súlade s návodom na obsluhu.

### VŠEOBECNÉ UPOZORNENIA

- Nedodržanie týchto informácií by mohlo spôsobiť škody na zariadení bazéna alebo by mohlo vyvolať závažné poranenia, či dokonca smrť.
- Údržbu alebo opravu zariadenia môže vykonávať len osoba kvalifikovaná v príslušnej technickej oblasti (elektrina, hydraulika alebo chladiarenstvo). Kvalifikovaný technik vykonávajúci zásah na zariadení musí používať/nosiť osobné ochranné pomôcky (ako sú ochranné okuliare, ochranné rukavice atď.), aby sa znížilo riziko poranenia, ku ktorému by mohlo dôjsť počas zásahu na zariadení.
- Pred každým zásahom na zariadení sa uistite, či je odpojené od napätia a zablokované. Zariadenie nie je určené pre osoby (vrátane detí) so zníženými telesnými, zmyslovými alebo duševnými schopnosťami ani pre osoby s nedostatkom vedomostí alebo skúseností, ak na tieto osoby nedozerá osoba zodpovedná za ich bezpečie alebo ak ich táto osoba vopred neoboznami s pokynmi týkajúcimi sa použitia zariadenia. Dohliadnite na to, aby sa so zariadením nehrali deti.
- Toto zariadenie môžu používať deti staršie ako 8 rokov, ako aj osoby, ktoré majú zníženú fyzickú, sensorickú alebo mentálnu schopnosť, alebo osoby, ktoré nemajú dostatočné skúsenosti alebo vedomosti, ak budú poučené o bezpečnom používaní tohto zariadenia a rizikách, ktoré z toho vyplývajú, alebo ak ho budú používať pod dohľadom. Čistenie a údržbu, ktorú má vykonávať používateľ, nesmú vykonávať deti bez dozoru.
- Inštalácia zariadenia sa musí vykonávať v súlade s pokynmi výrobcu a pri dodržaní platných miestnych a národných noriem. Inštalatér je zodpovedný za inštaláciu zariadenia a za dodržiavanie národných nariadení vzťahujúcich sa na inštaláciu. Výrobca nebude niesť v žiadnom prípade zodpovednosť za nedodržanie platných miestnych noriem ohľadom inštalácie.
- Údržbu tohto zariadenia, okrem jednoduchej údržby vykonávanej používateľom, musí vykonávať kvalifikovaný odborník.
- Každá nesprávna inštalácia a/alebo používanie môžu vyvolať materiálne škody alebo závažné telesné poranenia (vedúce až k úmrtiu),
- V prípade nefunkčnosti zariadenia: nepokúšajte sa zariadenia opraviť svojpomocne a kontaktujte kvalifikovaného technika.
- Každá deaktivácia, odstránenie alebo zmena niektorého z bezpečnostných prvkov zabudovaných v zariadení automaticky zruší platnosť záruky, ako aj používanie náhradných dielov pochádzajúcich od tretích neschválených výrobcov.
- Do zariadenia nevstrekujte insekticíd alebo iný chemický produkt (či už horľavý alebo nehorľavý), mohlo by to poškodiť karosériu a spôsobiť požiar.
- Nedotýkajte sa ventilátora ani pohyblivých dielov a nedávajte do blízkosti pohyblivých dielov počas prevádzky zariadenia žiadne predmety ani prsty. Pohyblivé časti môžu spôsobiť

vážne zranenia alebo dokonca smrť.

#### **INFORMÁCIE TÝKAJÚCE SA ELEKTRICKÝCH ZARIADENÍ**

- Elektrické napájanie zariadenia musí byť chránené prúdovým chráničom s hodnotou 30 mA, v súlade s normami platnými v krajine inštalácie.
- Nepoužívajte na zapájanie zariadenia predlžovací kábel. Zapojte zariadenie priamo do vhodného napájacieho okruhu.
- Pred každou operáciou overte, či:
  - Napätie uvedené na štítku prístroja zodpovedá sieťovému napätiu,
  - napájacia sieť je vhodná pre používanie prístroja a obsahuje uzemnenie,
  - napájacia zástrčka (v prípade potreby) je kompatibilná s prúdovou zásuvkou.
- Zariadenie počas prevádzky neodpájajte a znovu nezapájajte.
- Napájací kábel neodpájajte ťahaním za kábel.
- Ak je napájací kábel poškodený, musí ho nevyhnutne vymeniť výrobca, jeho technický zástupca alebo kvalifikovaná osoba, aby sa zaručila bezpečnosť.
- Údržbu zariadenia nevykonávajte vlhkými rukami ani v prípade, že je zariadenie vlhké.
- Pred pripojením zariadenia k zdroju napájania skontrolujte, či je svorkovnica alebo zásuvka, ku ktorej bude zariadenie pripojené, v dobrom stave a či nie sú poškodené alebo zhrdzavené.
- Počas búrky odpojte zariadenie od elektrického napájania, aby ste sa vyhli tomu, že sa poškodí bleskom.
- Neponárajte zariadenie do vody alebo blata; chráňte istič pred vodou.

#### **UPOZORNENIA TÝKAJÚCE SA ZARIADENÍ OBSAHUJÚCICH CHLADIACU KVAPALINU R32**

- Chladiaci prostriedok R32 je chladiaci prostriedok kategórie A2L, ktorý sa považuje za potenciálne horľavý.
- Kvapalinu R32 nevypúšťajte do atmosféry. Táto kvapalina predstavuje plyn s obsahom fluóru so skleníkovým efektom, na ktorý sa vzťahuje Kjótsky protokol a ktorý spôsobuje globálne otepľovanie (GWP) = 675 (európske predpisy 517/2014/EÚ).
- Jednotku inštalujte vonku. Neinštalujte jednotku vnútri alebo na uzavretom mieste vonku bez vetrania.
- Zariadenie musí byť pri trvalej prevádzke skladované v miestnosti bez zdroja zapálenia (napríklad: otvorený oheň, spustený plynový spotrebič alebo elektrický ohrievač).
- Neprepichujte a nezapaľujte.
- Upozorňujeme, že chladiaci prostriedok R32 môže zapáchať.
- Minimálne raz ročne je potrebné skontrolovať, či nedochádza k úniku z chladiaceho systému, aby boli splnené dôležité normy a predpisy týkajúce sa životného prostredia a inštalácie, najmä vyhláška č. 2015-1790 a/alebo európske predpisy 517/2014/EÚ. Tento úkon musí vykonať špecialista s osvedčením pre chladiace zariadenia.
- Uchovávajte displej na suchom mieste alebo zatvorte jeho kryt, aby ste zabránili jeho poškodeniu vplyvom vlhkosti.

#### **ÚDRŽBA: UPOZORNENIA TÝKAJÚCE SA ZARIADENÍ OBSAHUJÚCICH CHLADIACI PROSTRIEDOK R32**

- Počas fázy údržby prístroja sa bude kontrolovať zloženie a stav tepelnej kvapaliny ako aj neprítomnosť zvyškov chladiaceho prostriedku.
- Počas každoročnej kontroly tesnosti prístroja, v súlade s platnými zákonmi, overte, či sú tlakomery na vysoký a nízky tlak správne zapojené do chladiaceho okruhu a či v prípade spustenia prerušia elektrický okruh.
- Počas fázy údržby sa uistite, že sa v okolí chladiacich komponentov nenachádzajú stopy korózie alebo škvŕny od oleja.
- Ak je v zariadení chladiaci prostriedok, potrubie nespájajte ani nezvárajte. Nedopĺňajte plyn v obmedzenom priestore.

##### ***Kontrola oblasti***

- Pred začatím prác na systémoch s obsahom horľavých chladiacich prostriedkov sú potrebné bezpečnostné kontroly, aby sa zabezpečilo zníženie rizika vznietenia.

##### ***Pracovný postup***

- Práce sa musia vykonávať podľa riadeného postupu, aby sa počas nich znížilo riziko úniku horľavého plynu alebo výparov.

- Pred každým zásahom do chladiaceho okruhu je nevyhnutné zastaviť prístroj a počkať niekoľko minút a až následne nainštalovať snímače teploty alebo tlaku, niektoré zariadenia, ako je kompresor a potrubia, môžu dosahovať teploty vyššie ako 100 °C a vysoký tlak, čo môže vyvolať závažné popáleniny.

#### ***Všeobecná pracovná oblasť***

- Všetci pracovníci údržby a ďalšie osoby, ktoré pracujú v blízkosti, by mali byť informovaní o vykonávaných prácach. Mali by ste sa vyhnúť práci v stiesnených priestoroch.

#### ***Kontrola prítomnosti chladiaceho prostriedku***

- Pred prácou a počas nej by sa mal priestor kontrolovať vhodným detektorom chladiaceho prostriedku, aby bol technik upozornený na prítomnosť potenciálne toxickkej alebo horľavej atmosféry. Skontrolujte, či použité zariadenie na zisťovanie únikov je vhodné na použitie so všetkými príslušnými chladiacimi prostriedkami, to znamená, že nemôže spôsobiť zapálenie, je správne izolované alebo dokonale bezpečné.

#### ***Prítomnosť hasiaceho prístroja***

- Ak sa majú na chladiacom zariadení alebo na akýchkoľvek pridružených častiach vykonávať práce, pri ktorých vzniká určitá teplota, malo by byť ľahko dostupné vhodné hasiace zariadenie. Umiestnite v blízkosti pracovnej oblasti práškový hasiaci prístroj alebo hasiaci prístroj CO<sub>2</sub>.

#### ***Žiadny zdroj vznietenia***

- Žiadna osoba, ktorá vykonáva práce na chladiacom systéme a je v blízkosti potrubia, nesmie používať žiadny zdroj zapálenia, ktorý by mohol predstavovať riziko požiaru alebo výbuchu. Všetky možné zdroje zapálenia vrátane cigarety by sa mali udržiavať dostatočne ďaleko od miesta inštalácie, opravy, odstránenia alebo zneškodnenia, kde by mohlo dôjsť k úniku chladiaceho prostriedku do okolia. Pred prácou je potrebné preskúmať oblasť okolo zariadenia, aby sa zaistilo, že nepredstavuje nebezpečenstvo požiaru alebo vznietenia. Musia sa inštalovať štítky „zákaz fajčenia“.

#### ***Vetranie oblasti***

- Pred každým prístupom k jednotke s cieľom vykonať akúkoľvek údržbu sa uistite, či je oblasť otvorená a riadne vetraná. Počas údržby jednotky musí byť zabezpečené správne vetranie, ktoré umožňuje bezpečné rozptýlenie akéhokoľvek chladiaceho prostriedku, ktorý sa môže uvoľniť do atmosféry.

#### ***Kontrola chladiaceho zariadenia***

- Vždy sa musia dodržiavať odporúčania výrobcu ohľadom opráv a údržby. Pri výmene elektrických súčastí používajte iba súčasti rovnakého typu a kategórie, ktoré odporúča alebo schváli výrobca. V prípade pochybností sa obráťte o pomoc na technické oddelenie výrobcu.
- Pri zariadeniach, ktoré používajú horľavé chladiace prostriedky, sa musia vykonať tieto kontroly:
  - označenia na zariadení musia zostať viditeľné a čitateľné, všetky nečitateľné označenia alebo signalizačné prostriedky musia byť opravené;
  - potrubia alebo súčasti s chladiacim prostriedkom sú inštalované na miestach, kde nie je pravdepodobné, že budú vystavené akejkoľvek látke, ktorá by mohla spôsobiť koróziu súčastí s chladiacim prostriedkom, pokiaľ súčasti nie sú vyrobené z materiálov bežne odolných proti korózii alebo riadne chránených proti takejto korózii.

#### ***Kontrola elektrických súčastí***

- Oprava a údržba elektrických súčastí by mala zahŕňať počiatočné bezpečnostné kontroly a postupy inšpekcie súčastí. Ak dôjde k poruche, ktorá by mohla ohroziť bezpečnosť, k obvodu by sa nemal pripájať žiadny zdroj napájania, kým sa porucha úplne neodstráni. Ak poruchu nie je možné okamžite odstrániť, ale je potrebné pokračovať v práci, musí sa nájsť primerané dočasné riešenie. Malo by sa to nahlásiť vlastníčkovi zariadenia, aby informoval všetky príslušné osoby.
- Opravy a údržba elektrických súčastí by mali zahŕňať tieto počiatočné bezpečnostné kontroly:
  - kondenzátory sú vybité: musí sa to urobiť bezpečným spôsobom, aby sa zabránilo akejkoľvek možnosti zapálenia;
  - počas plnenia, opravy alebo čistenia systému nie sú žiadne elektrické súčasti ani napájané káblové vedenia bez izolácie;
  - uzemnenie musí byť nepretržite pripojené.

#### ***Oprava izolovaných súčastí***

- Pri opravách izolovaných súčastí musia byť všetky napájacie zdroje odpojené od zariadenia, na ktorom sa



vykonávajú práce, pred odstránením izolačného krytu atď. Ak musí byť zariadenie počas údržby bezpodmienečne napájané elektrinou, musí sa v najkritickejšom mieste umiestniť nepretržite fungujúce zariadenie na zisťovanie úniku, aby mohlo signalizovať potenciálne nebezpečnú situáciu.

- Osobitná pozornosť by sa mala venovať nasledujúcim bodom, aby sa zabezpečilo, že pri prácach na elektrických súčiastiach sa kryt neupraví tak, aby to ovplyvnilo úroveň ochrany. Musia sem patriť poškodené káble, nadmerný počet pripojení, svorky, ktoré nie sú v súlade s pôvodnými špecifikáciami, poškodené pripojenia, nesprávna inštalácia káblových priechodiek atď.
- Skontrolujte, či je zariadenie správne upevnené.
- Skontrolujte, či pripojenia alebo izolačný materiál nie sú poškodené natoľko, aby už nebránili vstupu horľavej atmosféry do okruhu. Náhradné diely musia zodpovedať špecifikáciám výrobcu.

#### ***Oprava iskrovo bezpečných súčastí***

- Neaplikujte na okruh žiadne indukčné zaťaženie ani trvalú elektrickú kapacitu bez kontroly, či neprekračujú povolené napätie a prúd pre používané zariadenie.
- Jediné za normálnych okolností bezpečné súčasti sú tie, na ktorých je možné pracovať pod prúdom v prítomnosti horľavej atmosféry. Skúšobné zariadenie musí patriť do príslušnej triedy.
- Súčasti nahrádzajte len dielmi, ktoré odporúča výrobca. Ostatné diely by mohli v prípade úniku spôsobiť vznietenie chladiaceho prostriedku v atmosfére.

#### ***Káblové vedenia***

- Skontrolujte káblové vedenia, či na nich nie sú známky opotrebenia, korózie, nadmerného tlaku, vibrácií, stopy po ostrých hranách alebo iných negatívnych vplyvoch prostredia. Skontrolovať sa musia aj príznaky zostarnutia alebo trvalých vibrácií spôsobené zdrojmi, ako sú kompresory alebo ventilátory.

#### ***Detekcia horľavej chladiacej kvapaliny***

- Na vyhľadávanie alebo zisťovanie úniku chladiaceho prostriedku sa nikdy nesmú používať potenciálne zdroje vznietenia. Nesmie sa používať halogenidová výbojka (alebo akýkoľvek iný detektor, ktorý používa otvorený plameň).
- Nasledujúce metódy detekcie únikov sa považujú za prijateľné pre všetky chladiace systémy.
- Na detekciu úniku chladiaceho prostriedku možno použiť elektronické detektory úniku, ale v prípade horľavého chladiaceho prostriedku nemusí byť ich citlivosť vhodná alebo bude potrebná ich opätovná kalibrácia. (Zariadenie na zisťovanie únikov by malo byť kalibrované na mieste bez prítomnosti chladiaceho prostriedku.) Skontrolujte, či detektor nie je potenciálnym zdrojom vznietenia a je vhodný pre použitý chladiaci prostriedok. Zariadenia na zisťovanie únikov by mali byť nastavené na percento LFL chladiaceho prostriedku a mali by byť kalibrované podľa použitého chladiaceho prostriedku. Musí byť potvrdené správne percento plynu (maximálne 25 %).
- Kvapaliny na zisťovanie únikov sú vhodné aj na väčšinu chladiacich prostriedkov. Je však potrebné sa vyhnúť použitiu čistiacich prostriedkov s obsahom chlóru, pretože by mohli reagovať s chladiacim prostriedkom a spôsobiť koróziu medeného potrubia.
- Pri podozrení na únik sa musia všetky otvorené plamene vypnúť/uhasiť.
- Ak zistíte únik chladiaceho prostriedku a je potrebné spájkovanie, všetok chladiaci prostriedok zo systému sa musí odstrániť alebo izolovať (pomocou uzatváracích ventilov) v časti systému vzdialenej od úniku.

#### ***Odstránenie a vypustenie***

- Pri prístupe k chladiacemu okruhu z dôvodu opráv alebo z iného dôvodu sa musia použiť bežné postupy. Pri horľavých chladiacich prostriedkoch je však nevyhnutné dodržiavať odporúčania, pretože sa musí zohľadniť horľavosť. Musí sa dodržať tento postup:
  - odstráňte chladiaci prostriedok;
  - prepláchnite okruh inertným plynom (nie je povinné pri A2L);
  - vypustite (nie je povinné pri A2L);
  - prepláchnite inertným plynom (nie je povinné pri A2L);
  - otvorte okruh rezaním alebo tvrdým spájkovaním.
- Náplň chladiaceho prostriedku sa musí zachytiť do fliaš vhodných na regeneráciu. V prípade zariadení s obsahom horľavých chladiacich prostriedkov odlišných od chladiacich prostriedkov A2L sa musí systém prepláchnuť dusíkom bez obsahu kyslíka, aby bolo zariadenie vhodné na príjem horľavých chladiacich

prostriedkov. Tento postup sa možno bude musieť niekoľkokrát opakovať. Na prepláchnutie chladiacich systémov sa nesmie používať stlačený vzduch alebo kyslík.

### **Postupy plnenia**

- Skontrolujte, či výstup vákuového čerpadla nie je v blízkosti žiadneho potenciálneho zdroja vznietenia a či je k dispozícii ventilácia.
- Okrem bežných postupov plnenia sa musia dodržiavať nasledujúce požiadavky.
- Pri použití plniaceho zariadenia skontrolujte, či nie je možná kontaminácia medzi rôznymi chladiacimi prostriedkami. Hadice alebo potrubia by mali byť čo najkratšie, aby sa znížilo množstvo chladiaceho prostriedku, ktorý obsahujú.
- Fľaše sa musia v súlade s pokynmi udržiavať vo vhodnej polohe.
- Pred naplnením systému chladiacim prostriedkom skontrolujte, či je chladiaci systém uzemnený.
- Po naplnení označte systém (ak ešte nie je označený).
- Dajte najmä pozor na to, aby ste nepreplnili chladiaci systém.
- Systém by sa mal pred naplnením podrobiť tlakovej skúške s príslušným preplachovacím plynom. Po plnení ale pred uvedením do prevádzky by ste mali skontrolovať, či nedochádza k úniku zo systému. Pred odchodom sa musí vykonať následná skúška tesnosti

### **Demontáž**

- Pred demontážou je nevyhnutné, aby sa technik oboznámil so zariadením a jeho špecifikáciami. Najmä sa odporúča starostlivo regenerovať všetky chladiace prostriedky. Pred vykonaním tejto úlohy by sa mala odobrať vzorka oleja a chladiaceho prostriedku, ak sú pred ďalším použitím chladiaceho prostriedku na regeneráciu potrebné analýzy. Pred začatím práce je nevyhnutné overiť prítomnosť napätia.
1. Oboznámte sa so zariadením a jeho prevádzkou.
  2. Izolujte systém od elektrického napájania.
  3. Pred vykonaním postupu skontrolujte, či sú splnené nasledujúce body:
    - v prípade potreby je k dispozícii mechanické manipulačné zariadenie na manipuláciu s fľašami s chladiacim prostriedkom;
    - všetky osobné ochranné prostriedky sú k dispozícii a správne sa používajú;
    - regenerácia je vždy pod dohľadom kompetentnej osoby;
    - zariadenie a fľaše na regeneráciu zodpovedajú príslušným normám.
  4. Ak je to možné, vypustite chladiaci systém.
  5. Ak nie je možné vytvoriť podtlak, nainštalujte rozdeľovač tak, aby bolo možné chladiaci prostriedok odvádzať z rôznych miest systému.
  6. Pred regeneráciou skontrolujte, či je fľaša na váhe.
  7. Spustite zariadenie na regeneráciu a obsluhujte ho podľa pokynov.
  8. Nepreplňujte fľaše (najviac 80 % objemu kvapalnej náplne).
  9. Neprekračujte maximálny prevádzkový tlak fľaše, ani na krátky čas.
  10. Keď sú fľaše správne naplnené a proces je dokončený, zabezpečte, aby boli fľaše a zariadenie okamžite odstránené z miesta a aby boli zatvorené alternatívne izolačné ventily na zariadení.
  11. Chladiaci prostriedok stiahnutý na regeneráciu by sa nemal plniť do iného chladiaceho systému, pokiaľ nebol vyčistený a skontrolovaný.

### **ODSTRAŇOVANIE PORÚCH**

- Spájkovanie musia vykonávať kvalifikovaní odborníci.
- Výmena potrubia sa môže vykonávať len s medeným potrubím v súlade s normou NF EN 12735-1.
- Detekcia únikov, prípad testu pod tlakom:
  - nikdy nepoužívajte kyslík alebo suchý vzduch (riziko požiaru alebo výbuchu);
  - používajte dehydrovaný dusík alebo zmes dusíka a chladiacej kvapaliny uvedenú na identifikačnom štítku;
  - testovací tlak na strane nízkeho a vysokého tlaku nesmie prekročiť 42 barov v prípade, keď je zariadenie vybavené tlakomerom.
- Pri potrubíach z okruhu vysokého tlaku s medeným potrubím s priemerom  $\geq 1\frac{5}{8}$  bude potrebný certifikát §2.1 v súlade s normou NF EN 10204, ktorý poskytne dodávateľ a uloží sa do technickej karty zariadenia.

- Technické informácie vzťahujúce sa na bezpečnostné požiadavky rôznych uplatňovaných smerníc sú uvedené na identifikačnom štítku zariadenia. Všetky informácie sa musia uviesť v návode na inštaláciu prístroja, ktorý musí byť súčasťou technickej karty zariadenia: model, kód, sériové číslo, maximálny a minimálny TS, PS, rok výroby, označenie CE, adresa výrobcu, chladiaci prostriedok a hmotnosť, elektrické parametre, termodynamický a akustický výkon.

#### **OZNAČENIE**

- Zariadenie musí byť označené štítkom s uvedením, že bolo vyradené z prevádzky a že bol odstránený chladiaci prostriedok.
- Na štítku musí byť dátum a podpis.
- V prípade zariadení s horľavým chladiacim prostriedkom skontrolujte, či sú na zariadení pripevnené štítky označujúce, že obsahuje horľavý chladiaci prostriedok.

#### **REGENERÁCIA**

- Pri vypúšťaní chladiaceho prostriedku, pri údržbe alebo odstavení z prevádzky sa odporúča dodržiavať správne postupy na bezpečné vypustenie všetkého chladiaceho prostriedku.
- Pri sťahovaní chladiaceho prostriedku do fľaše nezabudnite použiť fľašu na regeneráciu vhodnú pre chladiaci prostriedok. Skontrolujte, či máte správny počet fliaš na regeneráciu všetkej kvapaliny. Všetky fľaše, ktoré sa majú použiť, musia byť vyrobené na regeneráciu chladiaceho prostriedku a musia byť označené týmto konkrétnym chladiacim prostriedkom. Fľaše musia byť vybavené vákuovým ventilom a uzatváracími ventilmi v dobrom prevádzkovom stave. Prázdne fľaše na regeneráciu sa vypustia a ak je to možné, pred odoberaním sa ochladia.
- Zariadenie na regeneráciu by malo byť v dobrom prevádzkovom stave, pokyny na použitie zariadenia by mali byť ľahko dostupné a zariadenie by malo byť vhodné pre príslušný chladiaci prostriedok alebo prípadne horľavý chladiaci prostriedok. Okrem toho musí byť k dispozícii súprava kalibrovaných váh v dobrom prevádzkovom stave. Potrubia musia byť úplné, bez prítomnosti únikov, ani nesmú mať odpojené tvarovky a musia byť v dobrom stave. Pred použitím stroja na regeneráciu skontrolujte, či je v dobrom prevádzkovom stave, či je správne udržiavaný a či sú príslušné elektrické súčasti izolované, aby sa zabránilo šíreniu ohňa v prípade úniku chladiaceho prostriedku. V prípade pochybností sa obráťte na výrobcu.
- Odobraný chladiaci prostriedok by sa mal vrátiť dodávateľovi chladiaceho prostriedku v jeho fľaši na regeneráciu spolu s poznámkou o preprave odpadu. Nemiešajte rôzne chladiace prostriedky v jednotkách na regeneráciu, najmä vo fľašiach.
- Ak demontujete kompresor alebo je z neho vypustený olej, skontrolujte, či sa vypustil chladiaci prostriedok, aby ste zabránili jeho zmiešaniu s mazivom. Pred vrátením kompresora dodávateľovi sa musí vykonať vypustenie. Na urýchlenie tohto procesu sa smie použiť iba elektrický ohrievač telesa kompresora. Keď sú všetky kvapaliny systému vypustené, táto operácia by mala byť úplne bezpečná.



#### **Recyklácia**

Tento symbol vyžadovaný európskou smernicou OEEZ 2012/19/EÚ (smernica o odpade z elektrických a elektronických zariadení) znamená, že zariadenie nesmiete hádzať do odpadového koša. Bude potrebné dať ho do samostatného zberu a znovu sa použije, zrecykluje alebo zhodnotí. Ak obsahuje látky potenciálne nebezpečné pre životné prostredie, odstráni sa alebo sa neutralizujú. Informujte sa u svojho predajcu o spôsoboch recyklácie.

# MINI HEATER

## Návod na inštaláciu a obsluhu

### INDEX

1. Špecifikácie
2. Podmienky prepravy
3. Rozmer
4. Inštalácia a pripojenie
5. Elektrické káblové vedenia
6. Prevádzka regulátora
7. Sprievodca odstraňovaním porúch
8. Rozložená schéma
9. Údržba
10. Príslušenstvo

Ďakujeme, že ste si vybrali bazénové tepelné čerpadlo Mini heater na ohrev vody v bazéne, ktoré zohrieva vodu v bazéne a udržuje ju na konštantnej teplote, ak je teplota okolia vyššia ako 12 °C.



**UPOZORNENIE: Tento návod obsahuje všetky informácie potrebné na používanie a inštaláciu vášho tepelného čerpadla.**

Inštalatér si musí prečítať návod a pozorne dodržiavať pokyny na obsluhu, uvedenie do prevádzky a bezpečnosť výrobku.

Inštalatér zodpovedá za inštaláciu zariadenia a za dodržiavanie pokynov výrobcu a platných predpisov. Nedodržanie tohto návodu má za následok zrušenie akejkoľvek záruky.

Výrobca odmieta akúkoľvek zodpovednosť za zranenia osôb, škody na majetku a chyby v dôsledku inštalácie v zlých podmienkach.

Akékoľvek použitie na iné účely, než bolo vyrobené, sa bude považovať za nebezpečné.

# 1. Špecifikácie

## 1.1 Bazénové tepelné čerpadlo

Jednotka	HPM20	HPM30	HPM40
Kód	71245	71258	71606
<b>* Vykurovací výkon pri teplote vzduchu 28 °C/ vody 28 °C/vlhkosti 80 %</b>			
Výkon (kW)	2,5	4,2	5,5
Spotreba (kW)	0,59	1	1,31
COP	4,2	4,2	4,2
<b>* Vykurovací výkon pri teplote vzduchu 15 °C/ vody 26 °C/vlhkosti 70 %</b>			
Výkon (kW)	1,9	3,2	4,2
Spotreba (kW)	0,56	0,91	1,2
COP	3,4	3,5	3,5
<b>* Údaje</b>			
Elektrické napájanie (V)	220 - 240 V~50 Hz/1 fáza		
Menovitý prúd (A)	2,6	4,4	5,8
Odporúčaný istič (A)	7,5	10	16
Maximálny odporúčaný objem bazénu** (m <sup>3</sup> )	< 20	< 30	< 40
Minimálny a odporúčaný prietok vody (m <sup>3</sup> /h)	2	2	2,5
Maximálny/minimálny pracovný tlak (mPa)	4,2/0,05		
Tlak vody (kPa)	15	15	15
Výmenník tepla	PVC-titán		
Index ochrany	IPX4		
Priemer vstupu – výstupu (mm)	38/32		
Hladina hluku vo vzdialenosti 10 m dB(A)	48	46	46
Hladina hluku vo vzdialenosti 1m dB(A)	57	55	55
Chladiaci plyn R32 (g)	160	290	400
<b>* Rozmer a hmotnosť</b>			
Čistá hmotnosť (kg)	18	26	30
Hrubá hmotnosť (kg)	19	28,5	33
Rozmer (mm)	313 * 364,5 * 428,5	435 * 436,5 * 511,5	515 * 487 * 541,5
Rozmery balenia (mm)	380 * 455 * 500	496 * 525 * 575	570 * 570 * 605

\* Vyššie uvedené údaje sa môžu zmeniť bez predchádzajúceho upozornenia.

\*\* Podrobné informácie nájdete na obale alebo našej webovej stránke.

## 2. Podmienky prepravy

### 2.1 Pokyny na prepravu balenia



Na účely prepravy je tepelné čerpadlo z výroby pripevnené na paletu a chránené kartónom. Tepelné čerpadlo sa musí prepravovať **zabalené na paletu**, aby nedošlo k jeho poškodeniu.

Hoci za prepravu zodpovedá dodávateľ, na ceste ku zákazníkovi sa môže poškodiť akýkoľvek materiál a za kontrolu stavu dodávky zodpovedá príjemca. Ak príjemca zistí akékoľvek poškodenie obalu, po prijatí musí písomne uviesť nedostatky na dodacom liste dopravcu. **NEZABUDNITE NA POTVRDENIE DOPRAVCOVI DO 48 HODÍN PROSTREDNÍCTVOM DOPORUČENÉHO LISTU.**

### 2.2 Pokyny na skladovanie



Tepelné čerpadlo musí byť **skladované a presúvané v zvislej polohe v pôvodnom obale**. Ak tomu tak nie je, nemožno ho okamžite uviesť do prevádzky. Pred zapnutím výrobku bude potrebné počkať minimálne 24 hodín.

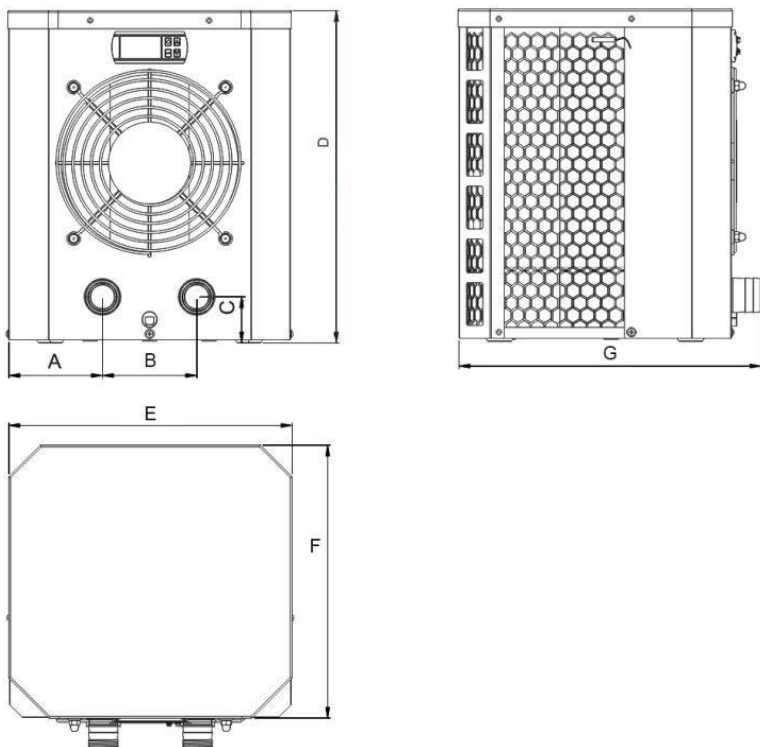
### ZÁKAZ



### 2.3 Pokyny na premiestnenie tepelného čerpadla na konečné miesto

Pri vybalení a premiestnení výrobku z pôvodnej palety na konečné miesto musí byť tepelné čerpadlo udržiavané vo zvislej polohe. Hydraulické spojenia nie sú na to, aby mali funkciu zdvíhacej rukoväte, naopak: **pôsobenie celej hmotnosti čerpadla na výstupy a vstupy hydraulických pripojení môže trvale poškodiť výrobok. Výrobca potom nemôže zodpovedať za prípadné poškodenia.**

### 3. Rozmer



Položka/(mm)	A	B	C	D	E	F	G
<b>HPM20</b>	90,4	130	50	428,5	313	300	364,5
<b>HPM30</b>	116,5	200	50	511,5	435	365	436,5
<b>HPM40</b>	134,6	260	50	541,5	515	421	487

## 4. Inštalácia a pripojenie

### Upozornenie:

Pred inštaláciou si prečítajte pokyny uvedené nižšie:

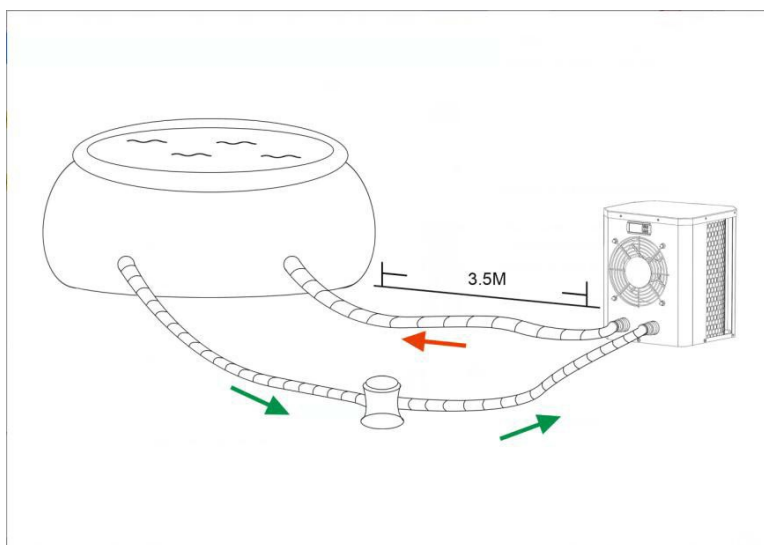
1. Všetky výrobky, ktoré obsahujú chemické kvapaliny, sa musia inštalovať za bazénovým tepelným čerpadlom.
2. Tepelné čerpadlo bazéna vždy nechajte v zvislej polohe. Ak bolo zariadenie počas prepravy naklonené, pred spustením tepelného čerpadla počkajte aspoň 24 hodín.

### 4.1 Umiestnenie bazénového tepelného čerpadla

Zariadenie sa smie vonku inštalovať takmer všade, ak sú splnené všetky tri podmienky:

#### 1. Správne vetranie – 2. Stabilné a spoľahlivé elektrické napájanie – 3. Systém recyklovanej vody

Jednotka sa za predpokladu, že sú dodržané minimálne vzdialenosti uvedené v schéme (nižšie), prakticky môže inštalovať kdekoľvek vonku. Pri inštalácii v interiéri požiadajte o pomoc inštalátéra. Inštalácia na veternom mieste nie je problémom, pokiaľ nie je v blízkosti plynový ohrievač (riziko v dôsledku plameňov).



**UPOZORNENIE:** Jednotka by sa nemala inštalovať v oblasti s obmedzeným vetraním vzduchu alebo na miestach, kde nie je nepretržitý prívod vzduchu. Zabezpečte, aby nikdy nič nebránilo prívodu vzduchu. Listy a iné nečistoty sa môžu prilepiť k odparovaču, čím sa zníži jeho účinnosť a ovplyvní jeho životnosť.

### 4.2 Prvé uvedenie jednotky do prevádzky

**Poznámka:** na ohrev vody v bazéne (alebo perličkovom kúpeli) musí byť zapnuté filtračné čerpadlo, aby voda cirkulovala cez tepelné čerpadlo. Ak voda netečie, na tepelnom čerpadle sa spustí ochrana proti prehriatiu a čerpadlo sa vypne.

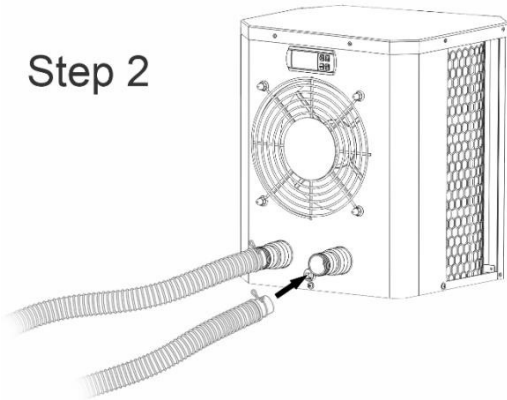


### 4.3 Pripojenie potrubia

Step 1



Step 2



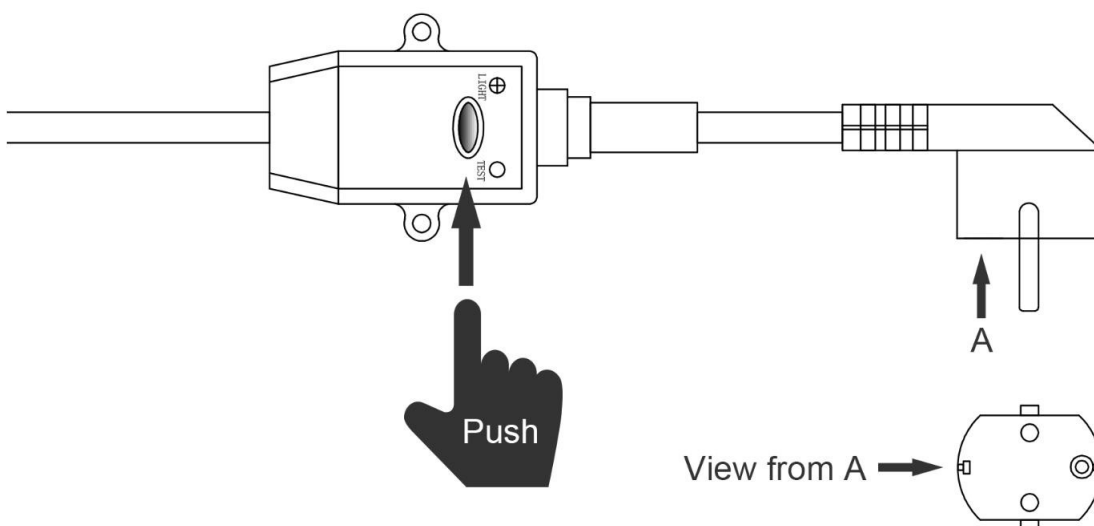
#### Poznámka:

Dodáva sa len tepelné čerpadlo. Všetky ostatné prvky vrátane potrubí musí zabezpečiť používateľ alebo inštalatér.

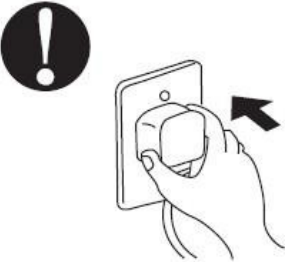
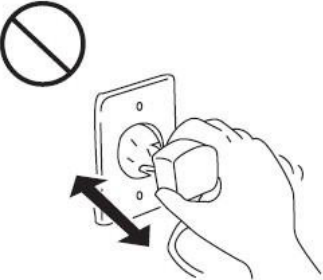
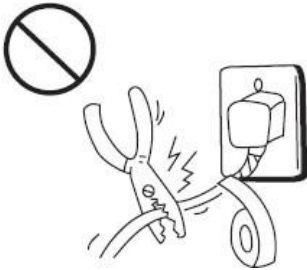
### 4.4 Elektrické pripojenie

Pred pripojením zariadenia skontrolujte, či sa napájacie napätie zhoduje s prevádzkovým napätím tepelného čerpadla.

Zásuvka RCD sa dodáva s napájacím káblom poskytujúcim elektrickú ochranu. Testovacie tlačidlo slúži na kontrolu kapacity ističa.



## Upozornenie:

<p><b>skontrolujte, či elektrická zásuvka zodpovedá predpisom.</b></p> <p>Ak zásuvka nie je správne zapojená, môžete spôsobiť úraz elektrickým prúdom, prehriatie a riziko požiaru.</p> 	<p><b>Nikdy neodpájajte elektrickú zástrčku, keď je tepelné čerpadlo v prevádzke.</b></p> <p>V opačnom prípade riskujete úraz elektrickým prúdom alebo požiar v dôsledku prehriatia.</p> 	<p><b>Nikdy nepoužívajte poškodené elektrické káble alebo v rozpore s ich určeným použitím.</b></p> <p>V opačnom prípade by to mohlo spôsobiť úraz elektrickým prúdom, prehriatie a nebezpečenstvo požiaru.</p> 
---	--	---

Po dokončení všetkých pripojení postupujte nasledovne:

- (1) Zapnite filtračné čerpadlo, skontrolujte, či nie sú prítomné úniky vody a prietok bazéna.
- (2) Zapnite zariadenie, a potom stlačte tlačidlo ZAP/VYP na regulátore.
- (3) Po niekoľkých minútach chodu skontrolujte, či je vetraný vzduch studený.
- (4) Keď vypnete filtračné čerpadlo, jednotka by sa mala automaticky vypnúť. Ak tomu tak nie je, ovládajte prepínač prietoku.

V závislosti od počiatkovej teploty vody v bazéne a teploty vzduchu je potrebné zariadenie niekoľko dní prevádzkovať, aby sa voda ohriala na požadovanú teplotu.

Správna ochrana bazéna (kryt, solárna plachta) môže výrazne skrátiť potrebný čas.

### **Časové oneskorenie:**

Jednotka je vybavená zabudovaným 3-minútovým oneskorením opätovného spustenia. Časové oneskorenie je neoddeliteľnou súčasťou riadiaceho a ochranného obvodu kompresora.

Funkcia časového oneskorenia zabráni automatickému opätovnému spusteniu zariadenia (na približne 3 minúty) po každom prerušení ovládacieho obvodu. Aj krátke prerušenie napájania aktivuje 3-minútové časové oneskorenie a zabráni opätovnému spusteniu zariadenia, kým neuplynie 3-minútový časový interval.

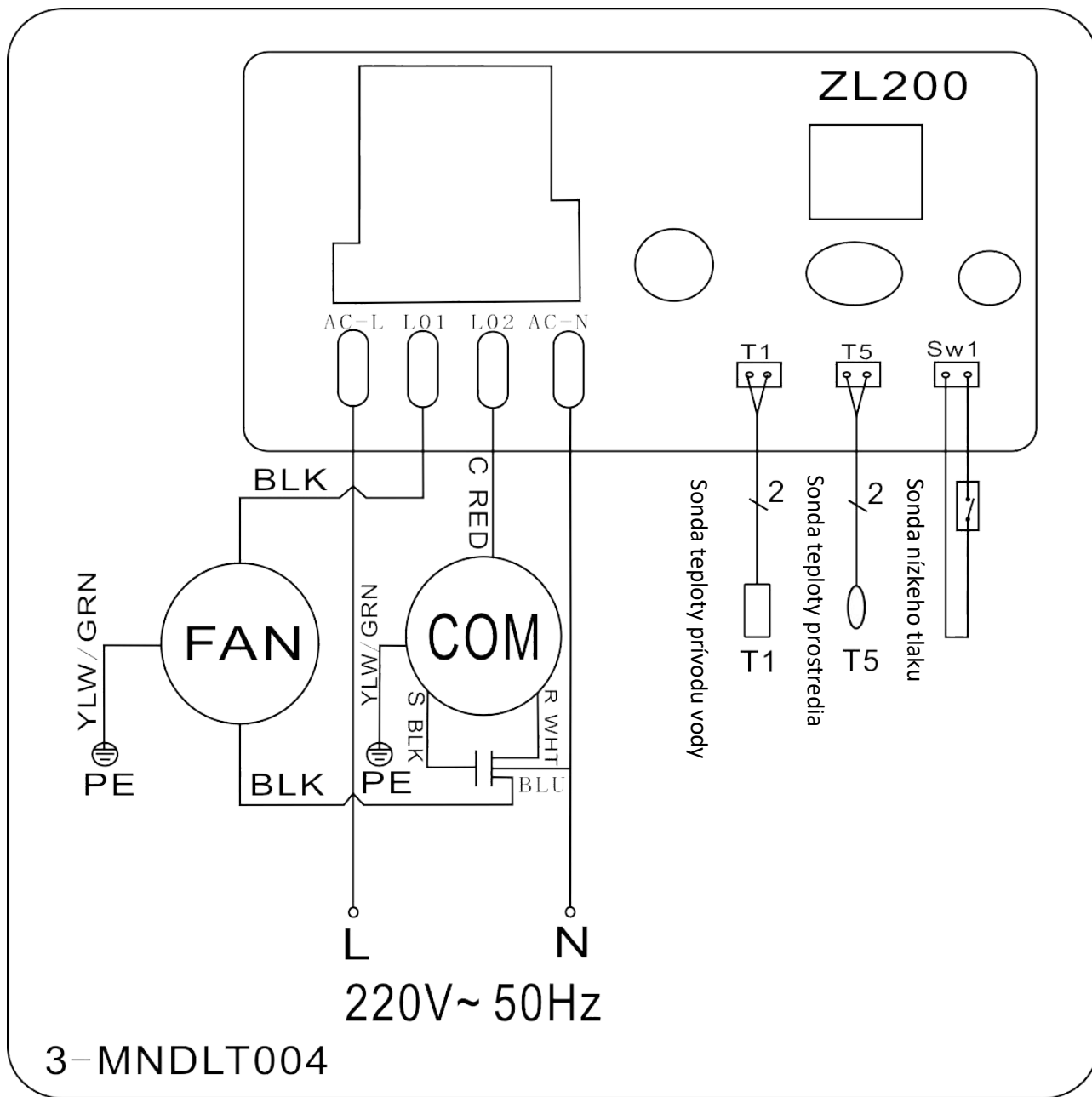
### **4.5 Kondenzácia**

Vzduch nasávaný do tepelného čerpadla sa počas prevádzky tepelného čerpadla silne ochladzuje na ohrev vody v bazéne, čo môže spôsobiť kondenzáciu na rebrách výparníka. Úroveň kondenzácie môže byť pri vysokej relatívnej vlhkosti niekoľko litrov za hodinu. Občas sa to mylne považuje za únik vody.

## 5. Elektrické káblové vedenia

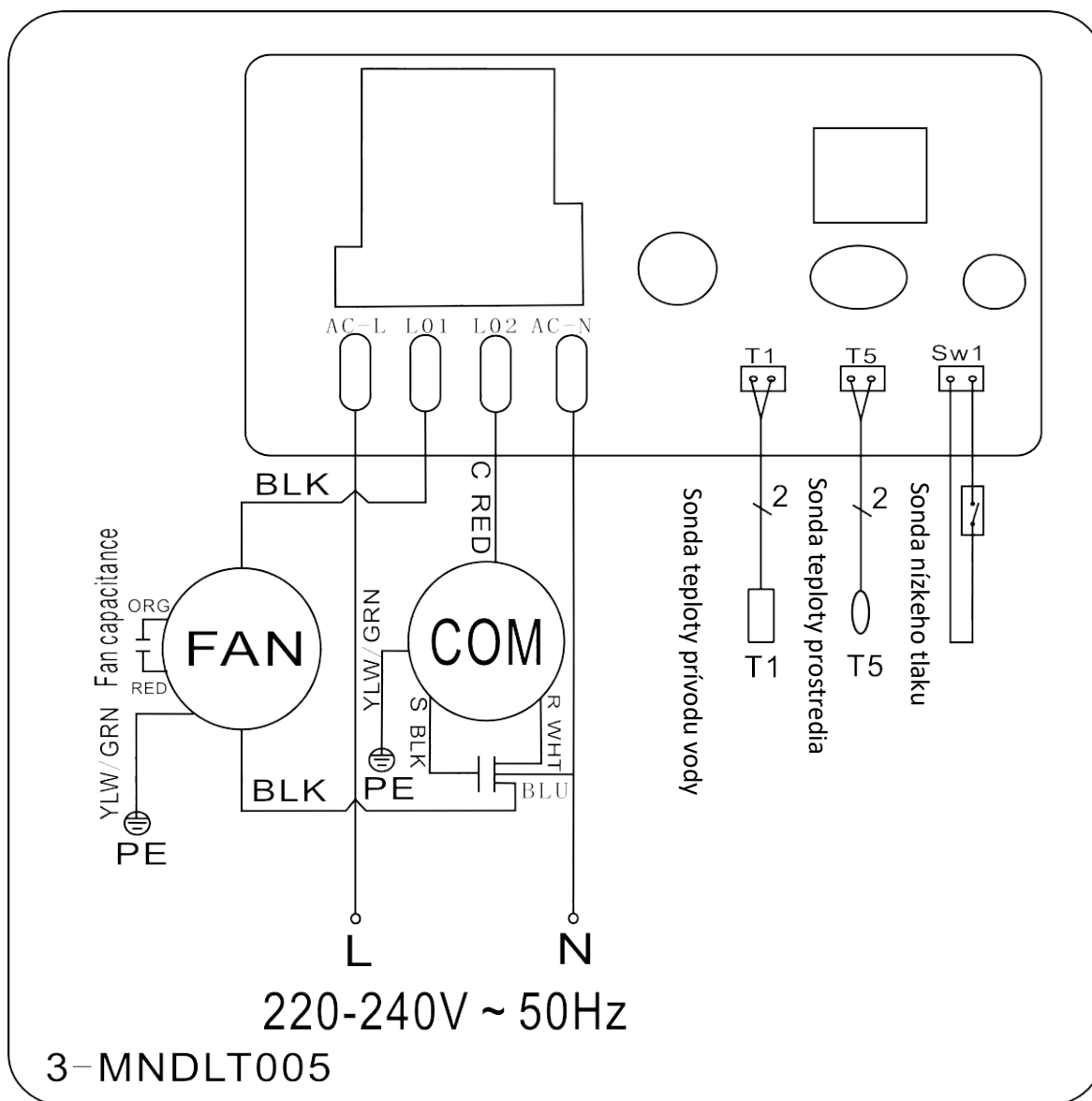
### 5.1 Schéma zapojenia bazénového tepelného čerpadla

HPM20



## 5.2 Schéma zapojenia bazénového tepelného čerpadla

HPM30/HPM40



### POZNÁMKA:

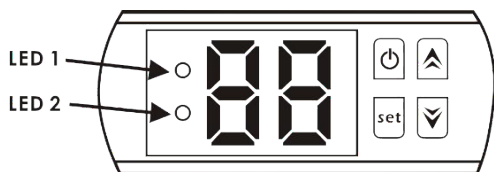
(1) Vyššie uvedená schéma elektrického zapojenia slúži len ako referencia, použite schému zapojenia zobrazenú na zariadení.

(2) Bazénové tepelné čerpadlo musí byť správne uzemnené, aj keď je výmenník tepla elektricky izolovaný od zvyšku jednotky. Uzemnenie jednotky je vždy potrebné, aby ste sa chránili pred možnými skratmi jednotky.

**Odpojovač:** Prostriedky elektrického prerušenia (istič, poistkový spínač) musia byť na dohľad a ľahko prístupné z jednotky. Pre bytové a komerčné tepelné čerpadlá predstavuje bežné a bezpečné riešenie. Umožňuje vzdialené vypnutie bezobslužného zariadenia a odpojenie napájania jednotky počas opravy zariadenia.

## 6. Prevádzka regulátora


### 6.1 Funkcie ovládacieho LED panela



**Keď je tepelné čerpadlo v prevádzke, LED obrazovka zobrazuje teplotu na prívode vody.**



Ak je tepelné čerpadlo v prevádzke, rozsvieti sa LED 1. Ak je na tepelnom čerpadle porucha, rozsvieti sa LED 2.

### 6.2 Spustenie alebo vypnutie tepelného čerpadla

Stlačením  spustíte tepelné čerpadlo, na obrazovke sa na 5 sekúnd zobrazí požadovaná teplota vody, a potom sa zobrazí teplota prívodu vody.

Stlačením  vypnete tepelné čerpadlo.

### 6.3 Nastavenie teploty vody:

Stlačením  a  vyberte požadovanú teplotu (hodnota: 10 – 42 °C).

Stlačením  a  uložíte požadovanú teplotu.

**POZNÁMKA:** Upozorňujeme, že tepelné čerpadlo funguje, len ak je zapnutý filtračný systém.

### 6.4 Ako skontrolovať parametre.

V pohotovostnom alebo prevádzkovom režime stlačte , potom stlačte  alebo  pre výber

parametra d0 alebo d1, stlačte  pre jeho výber a zobrazenie hodnoty.

Parameter	Parameter
d0	Teplota okolia
d1	Teplota vody

**Poznámka:** Používatelia nesmú meniť hodnoty.

## 7. Sprievodca odstraňovaním porúch

### 7.1 Chybový kód zobrazený na ovládacom paneli

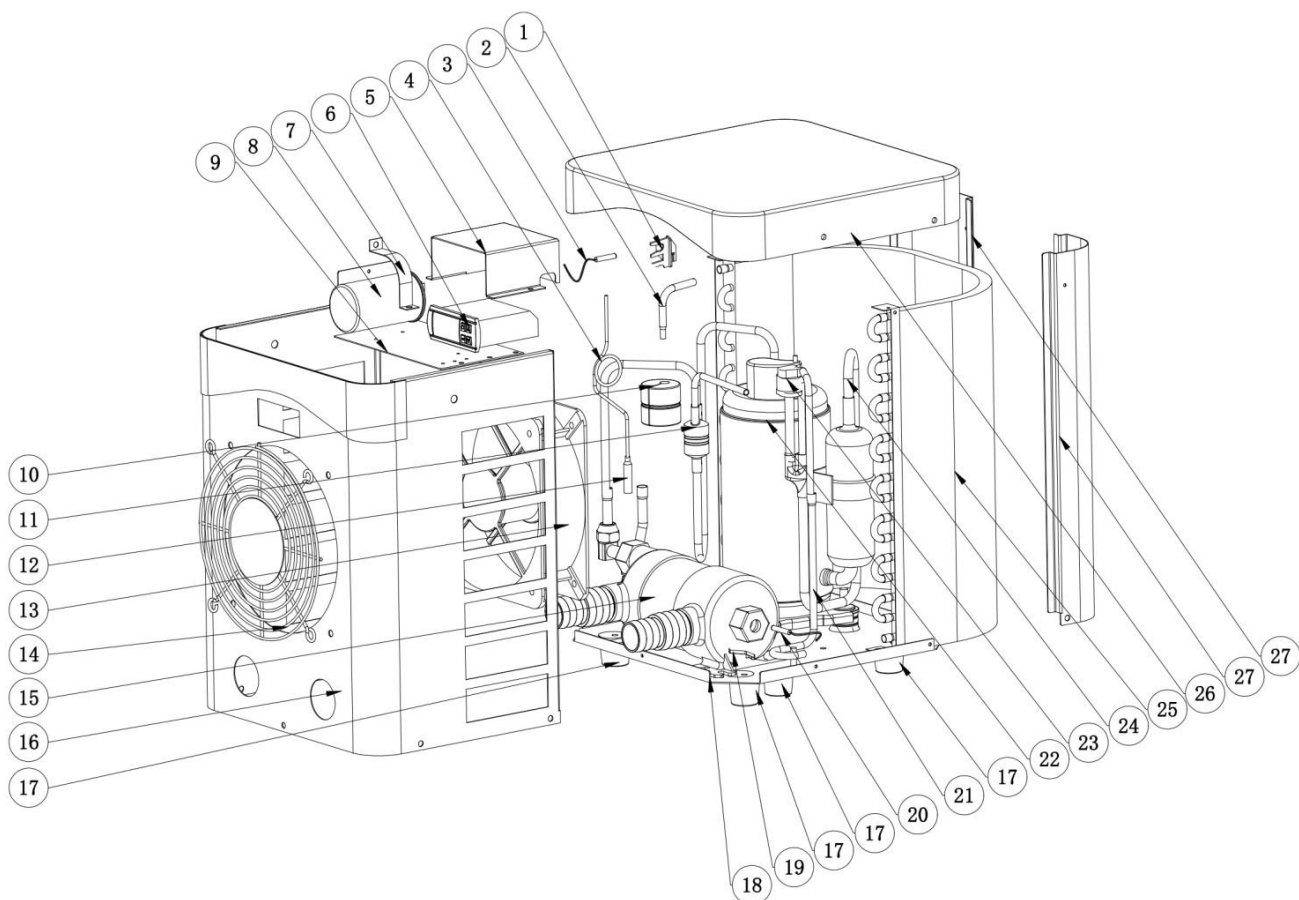
Porucha	Chybový kód	Príčina	Riešenie
Ochrana pred príliš nízkou teplotou okolia	P0	1. Teplota okolia je nižšia ako 12 °C 2. Porucha regulátora.	1. Počkajte, kým teplota v miestnosti nestúpne na 13 °C. 2. Vymeňte regulátor.
Porucha snímača teploty vody	P1	Otvorený obvod alebo skrat snímača teploty vody.	Vymeňte snímač teploty vody.
Snímač teploty okolia	P2	Otvorený obvod alebo skrat snímača okolia.	Vymeňte snímač teploty okolia.
Ochrana pred nízkym tlakom	EL	1. Spínač nízkeho tlaku je odpojený alebo chybný 2. Únik plynu.	Poverte autorizovaného technika, aby vykonal zásah na plynovom okruhu.

## 7.2 Ďalšie poruchy a riešenia (nezobrazené na LED regulátore)

Poruchy	Pozorovania	Príčiny	Riešenie
Tepelné čerpadlo nefunguje	Na LED regulátore nie je nič zobrazené	Chýba napájanie.	Skontrolujte istič a elektrické pripojenie
	LED regulátor zobrazuje skutočnú teplotu vody.	<ol style="list-style-type: none"> <li>1. Teplota vody dosiahne nastavenú hodnotu, tepelné čerpadlo sa zastaví v pohotovostnom režime.</li> <li>2. Tepelné čerpadlo práve začína pracovať (3 minúty)</li> </ol>	<ol style="list-style-type: none"> <li>1. Skontrolujte nastavenie teploty vody.</li> <li>2. Počkajte niekoľko minút, kým sa tepelné čerpadlo spustí.</li> </ol>
Krátka prevádzka	LED regulátor zobrazuje skutočnú teplotu vody, nezobrazuje sa žiadny chybový kód	<ol style="list-style-type: none"> <li>1. Ventilátor nefunguje</li> <li>2. Vetrание vzduchu nie je dostatočné</li> <li>3. Chladiaci prostriedok nestačí.</li> </ol>	<ol style="list-style-type: none"> <li>1. Skontrolujte káblové spojenia medzi motorom a ventilátorom, v prípade potreby ich vymeňte.</li> <li>2. Skontrolujte umiestnenie jednotky tepelného čerpadla a odstráňte všetky prekážky, aby bolo zaistené dobré vetranie.</li> <li>3. Vymeňte alebo opravte tepelné čerpadlo</li> </ol>
Hromadenie vody	Na tepelnom čerpadle sú úniky vody	<ol style="list-style-type: none"> <li>1. Z výparníka v prevádzke vychádza kondenzát.</li> <li>2. Vniknutie vody</li> </ol>	<ol style="list-style-type: none"> <li>1. Žiadna akcia, normálne fungovanie tepelného čerpadla.</li> <li>2. Skontrolujte, či na titánovom výmenníku tepla nedochádza k úniku.</li> </ol>

## 8. Rozložená schéma

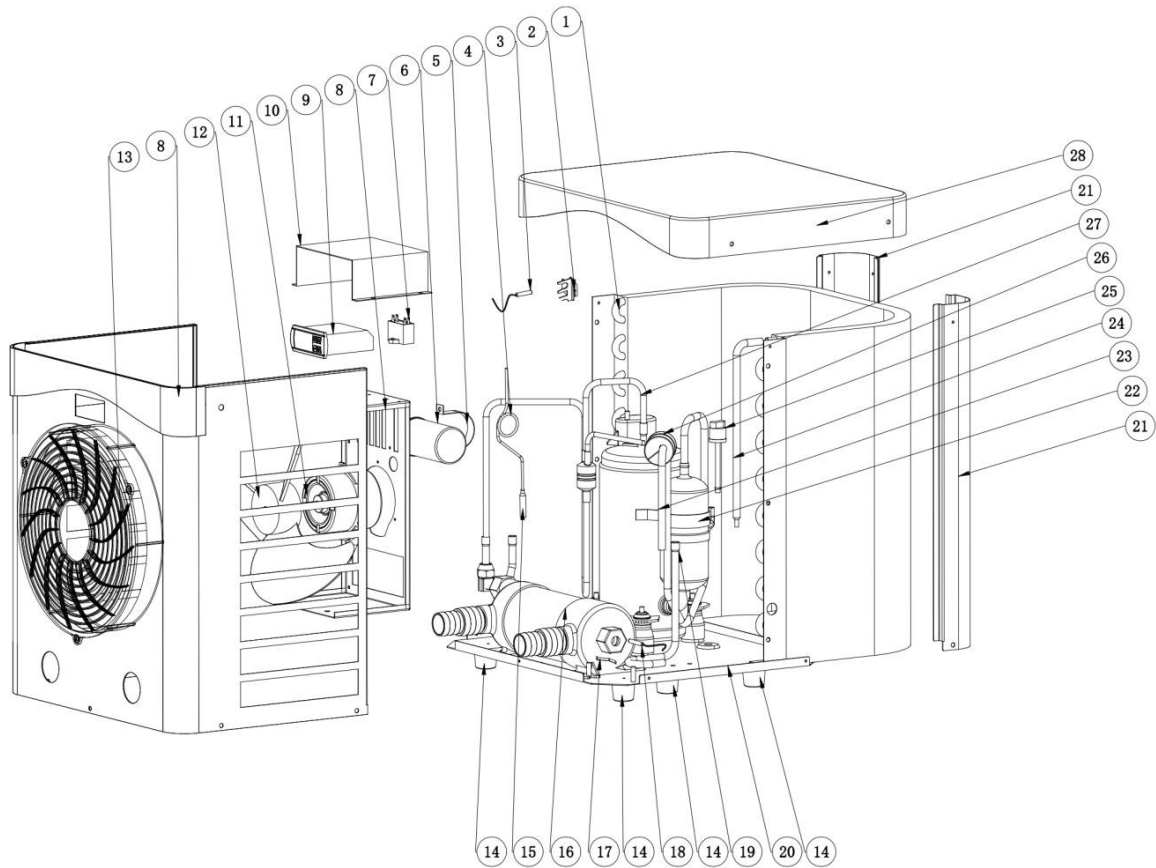
Jednotka: HPM20



Č.	Označenie	HPM20	Č.	Označenie	HPM20
1	Spona snímača	102040891	15	Titánový výmenník	102040891
2	Plynová rúrka	108680047	16	Predný panel	108680047
3	Sonda teploty T5	136020168	17	Gumové nožičky	136020168
4	Kapiláry	108680045	18	Základňa	108680045
5	Elektrická skrinka	108010025	19	Spona	108010025
6	Regulátor	117110068	20	Snímač teploty vody T1	117110068
7	Spona na upevnenie	113050123	21	Medený rozdeľovač	113050123
8	Kondenzátor kompresora	101000233	22	Kompresor	101000233
9	Horný panel ventilátora	116000091	23	Tlakový spínač nízkeho tlaku	116000091
10	Gumové kladivo	113010300	24	Plynová rúrka	113010300
11	Rúrka spiatočky plynu	103000236	25	Výparník	103000236
12	Plynová rúrka	133400001	26	Horný panel	133400001
13	Držiak ventilátora	108680046	27	Ľavý zadný stĺpik	108680046
14	Ochranná mriežka ventilátora				

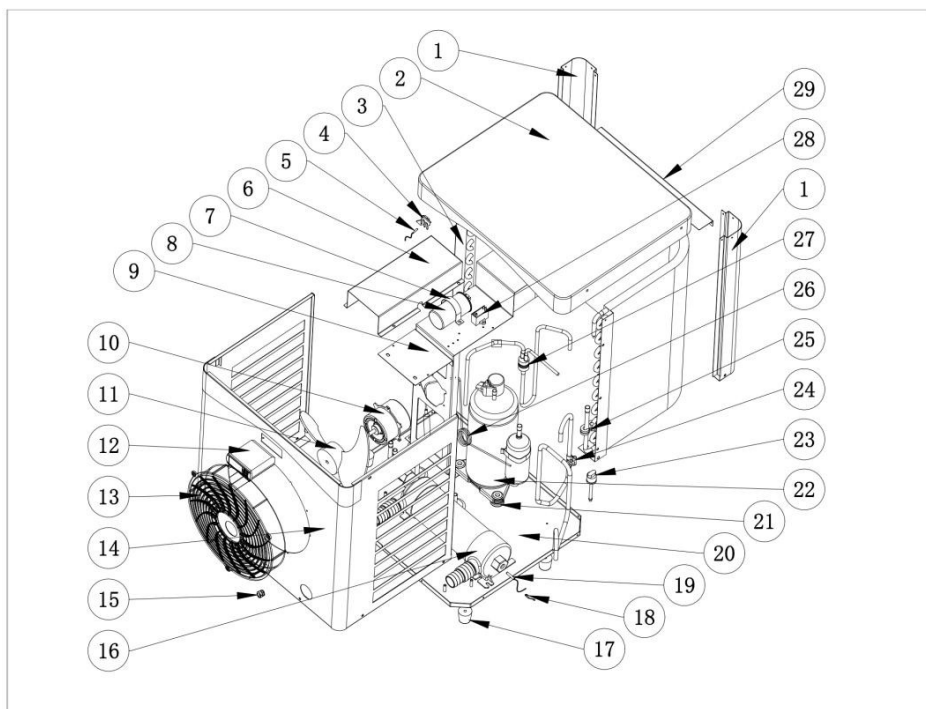


Jednotka: HPM30



Č.	Označenie	HPM30	Č.	Označenie	HPM30
1	Výparník	103000237	15	Plynová rúrka	113100027
2	Spona snímača teploty	133020010	16	Titánový výmenník tepla	102040900
3	Sonda teploty prostredia	117110079	17	Spona	108010025
4	Kapiláry	109000038	18	Sonda teploty prívodu vody T1	117110068
5	Spona na upevnenie	108010006	19	Plynová rúrka	113050125
6	Kondenzátor kompresora	111000011	20	Základňa	108690033
7	Kondenzátor ventilátora	111000034	21	Ľavý zadný stĺpik	108690048
8	Predný panel	108690047	22	Kompresor	101000232
9	Regulátor	117020189	23	Plynová rúrka	113020467
10	Elektrická skrinka	108690015	24	Plynová rúrka	113420129
11	Motor ventilátora	112000054	25	Sonda nízkeho tlaku	116000091
12	Ventilátor	132000024	26	Gumové kladivo	136020026
13	Ochranná mriežka ventilátora	133020052	27	Plynová rúrka	113010351
14	Gumové nožičky	136020168	28	Horný panel	133330004

## Jednotka: HPM40



Č.	Označenie	HPM40	Č.	Označenie	HPM40
1	Ľavý zadný stĺpik	108950009	16	Titánový výmenník tepla	117020363
2	Horný panel	133440001	17	Gumové nožičky	136020168
3	Výparník	103000343	18	Spona snímača teploty	108010025
4	Spona na upevnenie sondy	133020010	19	Sonda teploty prívodu vody T1	117110068
5	Sonda teploty prívodu vody T1	117110068	20	Základňa	108950007
6	Elektrická skrinka	108950006	21	Gumové nožičky	101000241
7	Spona na upevnenie	108010006	22	Kompresor	101000241
8	Kondenzátor kompresora	111000012	23	Sonda nízkeho tlaku	116000091
9	Držiak motora ventilátora	108950010	24	Plynová rúrka	113020602
10	Motor ventilátora	112000079	25	Regulátor	136020018
11	Ventilátor	132000024	26	Kapiláry	109000038
12	Regulátor	117020302	27	Plynová rúrka	113020624
13	Ochranná mriežka ventilátora	133020052	28	Kondenzátor ventilátora	111000034
14	Predný panel	108950008	29	Podperná doska držiaka	108950011
15	Káblková priechodka	142000126	30	Gumové nožičky	101000241

## 9. Údržba

(1) Musíte pravidelne kontrolovať vodný okruh, aby ste zabránili vnikaniu vzduchu do potrubia a príliš malému prietoku, pretože tým sa zníži výkon a spoľahlivosť tepelného čerpadla.

(2) Pravidelne čistite bazén a filtračný systém.

(3) V zime alebo pri poklese okolitej teploty pod 0 °C vždy vypustíte vodu z tepelného čerpadla, v opačnom prípade sa poškodí titánový výmenník v dôsledku zamrznutia a prídete o záruku.

(4) Pred opätovným uvedením do prevádzky naplňte systém doplna vodou.

(5) Keď je jednotka v prevádzke, v spodnej časti bude vždy unikať kondenzovaná voda.

## 10. Príslušenstvo



## **SK – ZÁRUČNÝ LIST**

### **1 VŠEOBECNÉ INFORMÁCIE**

**4.6** V súlade s týmito ustanoveniami predávajúci zaručuje, že výrobok, ktorý je predmetom tejto záruky (ďalej len „výrobok“) nevykazuje v čase dodania žiadnu poruchu.

**4.7** Záručná doba na výrobok je dva (2) roky a začína plynúť od jeho dodania kupujúcemu.

**4.8** Ak dôjde k poruche výrobku a ak ju kupujúci oznámi predávajúcemu počas záručnej doby, predávajúci by mal na svoje náklady výrobok opraviť alebo vymeniť, ak to uzná za vhodné a pokiaľ to nie je nemožné alebo neprimerané.

**4.9** Ak výrobok nie je možné opraviť alebo vymeniť, môže kupujúci požadovať pomerné zníženie ceny alebo ukončenie kúpnej zmluvy, ak je porucha dostatočne závažná.

**4.10** Diely, ktoré boli vymenené alebo opravené v rámci tejto záruky, nepredlžujú záručnú dobu pôvodného výrobku, ale vzťahuje sa na ne osobitá záruka.

**4.11** Aby bola záruka platná, musí kupujúci predložiť doklad s dátumom nadobudnutia a dodania výrobku.

**4.12** Ak od dodania výrobku kupujúcemu uplynulo viac ako šesť mesiacov a kupujúci upozorní na chybu výrobku, musí predložiť dôkaz o pôvode a existencii údajnej poruchy.

**4.13** Tento záručný list sa vydáva bez toho, aby boli dotknuté práva, ktoré majú spotrebiteľia podľa platných vnútroštátnych predpisov.

### **2 OSOBITNÉ PODMIENKY**

- Táto záruka sa vzťahuje na výrobky, na ktoré sa vzťahuje tento návod.
- Tento záručný list bude platný iba v krajinách Európskej únie.
- Aby bola táto záruka platná, musí kupujúci striktné dodržiavať pokyny výrobcu uvedené v dokumentácii dodanej s výrobkom, pokiaľ to bude možné v súlade s rozsahom a modelom výrobku.
- Ak je stanovený časový harmonogram výmeny, údržby alebo čistenia určitých dielov alebo súčastí výrobku, záruka bude platná, iba ak bude riadne dodržaný tento časový harmonogram.

### **3 OBMEDZENIA**

- Táto záruka sa bude vzťahovať iba na predaje uskutočnené spotrebiteľom, pričom za „spotrebiteľa“ sa považuje každá osoba, ktorá kupuje výrobok na účely, ktoré nespádajú do rozsahu jej profesionálnej činnosti.
- Na bežné opotrebenie v dôsledku používania výrobku sa záruka nevzťahuje. Na diely, súčasti a/alebo nahraditeľné alebo spotrebné materiály, ako sú batérie, žiarovky atď., platia ustanovenia v dokumentácii dodanej s výrobkom.
- Záruka sa nevzťahuje na prípady, keď sa s výrobkom: (I) nesprávne manipulovalo; (II) jeho opravu, údržbu alebo manipuláciu s ním vykonávala neoprávnená osoba alebo (III) sa pri jeho oprave a údržbe použili neoriginálne diely. Ak je porucha výrobku následkom nesprávnej inštalácie alebo uvedenia do prevádzky, táto záruka bude platná, len ak bola uvedená inštalácia alebo uvedenie do prevádzky obsiahnuté v kúpno-predajnej zmluve k výrobku a vykonal ich predajca alebo boli vykonané na jeho zodpovednosť



## VARNINGAR

	Denna symbol anger att närmare information återfinns i användar- eller installationshandboken.		Denna symbol anger att enheten använder R32, ett köldmedium med långsam förbränning.
	Denna symbol anger att man måste läsa användarhandboken noggrant.		Denna symbol anger att en servicetekniker ska hantera denna utrustning enligt användarhandboken.

### ALLMÄNNA SÄKERHETSFORESKRIFTER

- Bristande respekt för säkerhetsföreskrifterna skulle kunna medföra skada på poolutrustningen, allvarlig personskada eller till och med döden.
- Endast en person som är behörig inom relevanta tekniska områden (el, hydraulik eller kylning) är behörig att utföra service på eller reparera enheten. För att minska risken för personskada som kan inträffa under arbete på enheten ska behörig tekniker som utför arbetet använda/bära personlig skyddsutrustning (t.ex. skyddsglasögon, skyddshandskar osv.).
- Säkerställ före varje åtgärd med enheten att den inte längre är strömsatt och att den säkrats. Denna enhet är inte avsedd att användas av person (däribland barn) med nedsatt fysisk, sensorisk eller mental förmåga eller person som saknar erfarenhet eller kunskaper, utom då sådan person kan bistås av någon som ansvarar för hans eller hennes säkerhet och tillsyn eller för att ge anvisningar om hur enheten används innan så sker. Barn bör hållas under tillsyn för att se till att de inte leker med enheten.
- Denna enhet kan användas av barn som är minst åtta år gamla och av personer med nedsatt fysisk, sensorisk eller mental förmåga eller person som saknar erfarenhet eller kunskaper, då sådan person står under vederbörlig tillsyn eller har erhållit anvisningar om hur enheten används på ett säkert sätt och om de risker som föreligger har uppfattats. Rengöring och underhåll av användare får inte utföras av barn utan tillsyn.
- Enheten ska installeras i enlighet med tillverkarens anvisningar jämte gällande lokala och nationella bestämmelser. Installatören ansvarar för att utrustningen installeras korrekt och i enlighet med nationella bestämmelser. Tillverkaren kan inte under några omständigheter hållas ansvarig för bristande respekt för gällande lokala installationsbestämmelser.
- För varje annan åtgärd än enklare underhåll av användaren enligt beskrivning i denna manual ska service på produkten utföras av behörig fackman.
- Felaktig installation och/eller användning kan orsaka allvarlig skada på egendom eller personer (eventuellt dödsfall).
- Försök inte själv reparera enheten om det uppstår fel på den, utan kontakta en behörig tekniker.
- Avstängning, borttagning eller förbikoppling av någon av de i enheten inbyggda säkerhetsanordningarna, liksom användning av reservdelar från annan än godkänd tredjemanstillverkare, gör att garantin upphör att gälla.
- Spruta inte insektsgift eller annan kemikalie (brandfarlig eller ej) mot enheten. Det skulle kunna skada höljet och orsaka eldsvåda.
- Vidrör inte fläkt eller rörliga delar och håll eller för inte in föremål eller fingrar i närheten av rörliga delar medan apparaten är i drift. Rörliga delar kan orsaka allvarlig personskada eller till och med leda till döden.

### SÄKERHETSFORESKRIFTER I ANSLUTNING TILL ELEKTRISK APPARATUR

- Enhetens elmatning ska i enlighet med gällande normer i installationslandet skyddas av en särskild

jordfelsbrytare på 30 mA.

- Använd inga skarvsladdar. Anslut enheten direkt till ett lämpligt elnät.
- Kontrollera följande före användning:
  - den spänning som anges på apparatens märkplåt ska överensstämma med strömkällans,
  - Elnätet ska vara lämpat för att användas med enheten och det ska finnas ett jordat uttag.
  - Stickkontakten är lämplig för uttaget.
- Dra inte ur sladden och sätt i den igen medan enheten är i drift.
- Dra inte i nätsladden för att ta ur kontakten.
- För att garantera säkerheten måste en skadad nätsladd bytas av tillverkaren, dennes tekniska representant eller av behörig person.
- Utför inte service eller underhåll på enheten med fuktiga händer eller om enheten är fuktig.
- Säkerställ att den kopplingsplint eller den nätkontakt enheten ska anslutas till är i gott skick och inte skadad eller rostig innan du ansluter enheten till den.
- Koppla ur enheten från dess strömförsörjning vid åska för att undvika att den skadas av blixtnedslag.
- Sänk inte ned enheten i vatten eller lera. Skydda lastbrytaren från vatten.

#### **SÄKERHETSFÖRESKRIFTER I ANSLUTNING TILL ENHETER SOM INNEHÅLLER KÖLDMEDIUM R32**

- Köldmedium R32 är ett köldmedium av kategori A2L som anses vara potentiellt brandfarligt.
- Köldmediet R32 får inte släppas ut i luften. Denna vätska är en fluorerad växthusgas som omfattas av Kyoto-protokollet och som kan bidra till den globala uppvärmningen (GWP-värde 675; se Europaparlamentets och rådets förordning (EU) nr 517/2014 om fluorerade växthusgaser).
- Installera enheten utomhus. Installera inte enheten inomhus eller i ett slutet utrymme utan vädring till uteluften.
- Enheten ska förvaras i ett rum utan gnistkällor i ständig funktion (exempelvis öppna lågor, gasdrivna apparater i funktion eller elvärme i funktion).
- Gör inte hål och förbränn inte.
- Observera att köldmedium R32 kan avge viss lukt.
- För att respektera relevanta normer och bestämmelser avseende miljö och installation, särskilt franskt dekret nr 2015-1790 och/eller EU-förordning nr 517/2014, måste en sökning efter läckage göras på kylkretsen en gång per år. Detta arbete ska utföras av en specialist som är behörig för kylanläggningar.
- Förvara displayen torrt eller stäng dess lock för att undvika att den skadas av fukt.

#### **SERVICE: SÄKERHETSFÖRESKRIFTER I ANSLUTNING TILL ENHETER SOM INNEHÅLLER KÖLDMEDIUM R32**

- Vid underhållsarbete på enheten måste den värmebärande vätskans sammansättning och skick kontrolleras. Kontrollera också att det inte finns spår av köldmedium.
- Vid det årliga testet av apparatens täthet ska, i enlighet med gällande bestämmelser, reglerventilerna för högt och lågt tryck kontrolleras, dvs. att de är rätt anslutna till kylkretsen och att de bryter strömmen när de löser ut.
- Säkerställ vid underhållsarbete att det inte finns några spår av korrosion eller oljefläckar vid kylkomponenterna.
- Svetsa eller löd inte röret om det finns köldmedium i enheten. Fyll inte på gas i ett slutet utrymme.

#### ***Kontroll av området***

- Innan man börjar arbeta med system innehållande brandfarligt köldmedium krävs säkerhetskontroller för att garantera att risken för gnistor är begränsad.

#### ***Arbetsmetod***

- För att begränsa risken för att brandfarliga gaser eller ångor frigörs under arbetet ska detta utföras enligt ett kontrollerat protokoll.
- Före varje åtgärd med kylkretsen måste apparaten stängas av och vila några minuter innan temperatur- eller tryckgivare placeras. Vissa delar, såsom kompressorn och rörledningar, kan bli mer än 100°C varma och stå under högt tryck som kan orsaka allvarliga brännskador.

### **Allmänt om arbetsområdet**

- All servicepersonal och andra personer som arbetar inom närområdet ska hållas informerade om vilket arbete som utförs. Arbete i slutna utrymmen ska undvikas.

### **Kontroll av förekomst av köldmedium**

- För att teknikern ska uppmärksammas på förekomsten av potentiellt toxisk eller brandfarlig atmosfär ska området före och under arbetet bli föremål för en kontroll med lämplig köldmediedetektor. Säkerställ att den utrustning för detektering av läckage som används lämpar sig för att användas med de aktuella köldmedierna, dvs. att den inte kan ge upphov till gnistor, är vederbörligen isolerad eller helt säker.

### **Förekomst av brandsläckare**

- Ska arbete som innebär viss högre temperatur utföras på kylutrustningen eller på någon tillhörande del, ska brandsläckningsutrustning finnas lätt tillgänglig. Installera en pulver- eller CO<sub>2</sub>-släckare i närheten av arbetsområdet.

### **Frånvaro av gnistkällor**

- Ingen som utför arbete på ett kylsystem och som måste frilägga rörverket får använda någon gnistkälla av vad slag det vara må som skulle kunna utgöra en risk för brand eller explosion. När köldmedium eventuellt kan frigöras i det omgivande utrymmet måste alla eventuella gnistkällor, bland annat cigaretter, hållas på tillräckligt långt avstånd från installations-, avtappnings- eller elimineringsplatsen. För att säkerställa att området runt utrustningen inte omfattar någon brandrisk eller risk för gnistbildning måste detta granskas före arbetet. Skyltar med Rökning förbjuden måste sättas upp.

### **Ventilation av området**

- Säkerställ att området är öppet och har god luftväxling innan du på något sätt kommer åt enheten för att utföra service- eller underhållsarbete av vad slag det vara må. Lämplig ventilation som medger att eventuellt köldmedium som skulle kunna frigöras i atmosfären vädras ut på ett säkert sätt ska upprätthållas medan servicearbete utförs på enheten.

### **Kontroll av kylutrustningen**

- Tillverkarens rekommendationer avseende service och underhåll måste alltid respekteras. Säkerställ vid byte av elkomponenter att endast komponenter av samma kategori och som rekommenderas eller godkännts av tillverkaren används. Samråd med tillverkarens tekniska avdelning för att få hjälp om du är osäker.
- Följande kontroller ska utföras av installationer som använder brandfarligt köldmedium:
  - märkningen på utrustningen ska förbli synlig och läsbar och eventuella oläsbara märkningar eller signaler åtgärdas, samt
  - kylledningar och -komponenter ska vara installerade på platser där det är föga sannolikt att de exponeras för några ämnen som skulle kunna korrodera komponenter innehållande köldmedium, med mindre komponenterna är tillverkade i material som normalt är korrosionshårdiga eller vederbörligen skyddas mot sådan korrosion.

### **Kontroll av elkomponenter**

- Reparation och service av elkomponenter ska inbegripa inledande säkerhetskontroller och rutiner för besiktning av komponenterna. Om ett fel inträffar som skulle kunna äventyra säkerheten får ingen elmatning vara ansluten till kretsen förrän detta är fullständigt åtgärdat. Kan felet inte omedelbart åtgärdas, men arbetet avsett att fortsätta, måste en lämplig tillfällig lösning hittas. Utrustningens ägare ska informeras om denna för att alla berörda personer ska bli informerade.
- Reparation och service av elkomponenter ska inbegripa följande inledande säkerhetskontroller:
  - kondensatorerna ska laddas ur, vilket måste göras på ett fullt säkert sätt för att undvika all eventuell gnistbildning,
  - ingen elkomponent eller matad ledning får vara exponerad medan systemet fylls, fylls på eller töms, samt
  - jordanslutningar måste finnas hela tiden.

### **Reparation av isolerade komponenter**

- Vid reparation av isolerade komponenter måste, innan någon isoleringspanel el. dyl. avlägsnas, all elmatning vara fränkopplad till den utrustning på vilken arbetet utförs. För att varna för eventuella farliga situationer ska en anordning för läckagedetektering som är i ständig funktion placeras på det mest kritiska stället om utrustningen ovillkorligen måste vara elmatad under servicearbetet.

- För att under arbete med elkomponenter säkerställa att elboxen inte påverkas till den grad att det påverkar skyddsgraden måste man vara särskilt uppmärksam på följande punkter. Detta ska inbegripa skadade ledningar, alltför många förgreningar, plintar som inte uppfyller de ursprungliga specifikationerna, skadade packningar, felaktig installation av packboxar osv.
- Säkerställ att enheten sitter fast ordentligt.
- Säkerställ att packningar och isoleringsmaterial inte är skadade till den grad att de inte längre hindrar brandfarlig atmosfär från att tränga in i kretsen. Reservdelar ska uppfylla tillverkarens specifikationer.

#### ***Reparation av egensäkra komponenter***

- Utsätt inte kretsen för någon elektrisk induktans eller kapacitans utan att säkerställa att denna är lägre än tillåten spänning och strömstyrka för den utrustning som håller på att användas.
- Normalt säkra komponenter är den enda typ med vilken det är möjligt att arbeta under förekomst av brandfarlig atmosfär när de är matade. Testapparaturen måste tillhöra lämplig klass.
- Byt endast komponenter mot av tillverkaren specificerade delar. Andra delar skulle i händelse av ett läckage kunna antända köldmediet.

#### ***Kablage***

- Kontrollera att kablaget inte är slitet, korroderat, alltför hopklämt eller är utsatt för vibrationer, vassa kanter andra ogynnsamma förhållanden. Vid kontrollen ska även beaktas verkan av åldrande eller av ständiga vibrationer som orsakas av källor som kompressorer eller fläktar.

#### ***Detektering av brandfarligt köldmedium***

- Eventuella gnistkällor får under inga omständigheter användas för att söka efter eller detektera läckage av köldmedium. Halogenläcksökare (eller annan detektor som använder öppen låga) får inte användas.
- Följande metoder för läckagedetektering anses vara godtagbara för alla kylsystem.
- Elektroniska läckagedetektorer kan användas för att detektera läckage av köldmedium, men det kan hända att känsligheten inte är lämpad eller att en omkalibrering krävs. (Detekteringsutrustningen ska kalibreras på en plats utan förekomst av köldmedium) Säkerställ att detektorn inte utgör en potentiell gnistkälla och lämpar sig för det köldmedium som används. Utrustningen för detektering av läckage ska vara inställd på en LFL-procentsats (undre brännbarhetsgräns) för köldmediet och ska vara kalibrerad för det köldmedium som används. Lämplig procentsats gas (högst 25 %) måste bekräftas.
- Även vätskor för detektering av läckage lämpar sig för att användas med de flesta köldmedier, men användning av klorhaltiga rengöringsmedel ska undvikas, då det kan reagera med köldmediet och korrodera rörverket av koppar.
- Om ett läckage misstänks måste alla öppna lågor omedelbart avlägsnas respektive släckas.
- Om ett läckage av köldmedium upptäcks och kräver lödning, måste allt köldmedium tömmas ur systemet eller isoleras (med hjälp av avstängningsventiler) i en del av systemet som är avskild från läckaget.

#### ***Tömning och utblåsning***

- Vid åtkomst av kylkretsen för reparationsarbete eller av annat skäl, ska konventionella förfaranden tillämpas. Beträffande brandfarliga köldmedier är det emellertid oerhört viktigt att följa rekommendationerna, eftersom brandfarligheten måste beaktas. Följande förfarande ska respekteras:
  - töm ut köldmediet,
  - rensa kretsen med en inert gas (inte obligatoriskt för A2L),
  - blås ur (inte obligatoriskt för A2L),
  - rensa med en inert gas (inte obligatoriskt för A2L), samt
  - öppna kretsen genom att skära eller löda.
- Köldmediet ska samlas upp i lämpliga uppsamlingsflaskor. För enheter innehållande annat brandfarligt köldmedium än A2L, ska systemet rensas med syrgasfri kvävgas för att göra enheten lämpad för att ta emot brandfarligt köldmedium. Förfarandet kan behöva upprepas flera gånger. Tryckluft eller syrgas får inte användas för att rensa kylsystem.

#### ***Förfaranden för påfyllning***

- Säkerställ att vakuumpumpens utlopp inte befinner sig i närheten av någon potentiell gnistkälla och att det finns ventilation.
- Utöver konventionella förfaranden för påfyllning ska följande krav respekteras.
- Säkerställ att ingen kontaminering mellan olika köldmedier är möjlig när en påfyllningsutrustning används.



För att innehålla så lite köldmedium som möjligt ska slangar eller ledningar vara så korta som möjligt.

- Flaskorna ska hållas i lämpligt läge och i enlighet med anvisningarna.
- Säkerställ att kylsystemet är anslutet till jord innan du fyller det med köldmedium.
- Sätt en märkning på systemet efter avslutad påfyllning (om detta inte redan är gjort).
- Var särskilt noga med att inte fylla på systemet för mycket.
- Innan systemet fylls på måste man göra ett tryckprov med lämplig rensningsgas. Efter påfyllning och före driftsättning måste systemet kontrolleras så att inget läckage finns. Ett uppföljande läckageprov ska göras innan man lämnar platsen

### **Demontering**

- Innan man går igenom förfarandet för demontering måste teknikern vara väl bekant med utrustningen och dess egenskaper. Vi rekommenderar särskilt att allt köldmedium omsorgsfullt samlas upp. Om analyser visar sig krävas innan det uppsamlade köldmediet återanvänds ska prover tas på oljan och köldmediet. Innan arbetet påbörjas är det absolut nödvändigt att kontrollera om någon elmatning finns.
1. Sätt dig in i utrustningen och hur den fungerar.
  2. Isolera systemet elektriskt.
  3. Säkerställ följande innan arbetet påbörjas:
    - en utrustning för mekanisk hantering finns vid behov till hands för att hantera flaskorna med köldmedium,
    - all personlig skyddsutrustning finns till hands och används rätt,
    - förfarandet för uppsamling följs hela tiden av en behörig person, samtutrustning och flaskor för uppsamling respekterar relevanta normer.
  4. Töm om möjligt kylsystemet.
  5. Sätt ett uppsamlingskärl på plats för att kunna tömma ut köldmediet från olika ställen av systemet om ett vakuum inte kan skapas.
  6. Säkerställ att flaskan står på vågen innan du börjar arbetet med att samla upp köldmedium.
  7. Starta tömningsaggregatet och kör det enligt anvisningarna.
  8. Fyll inte flaskorna för mycket (högst 80 % av vätskevolymen).
  9. Överskrid inte ens tillfälligt flaskans maximala drifttryck.
  10. Säkerställ, när flaskorna är rätt fyllda och förfarandet klart, att flaskorna och utrustningen snabb avlägsnas från platsen och att de olika avstängningsventilerna på utrustningen är stängda.
  11. Uppsamlat köldmedium får inte fyllas på något annat kylsystem utan att ha rengjorts och kontrollerats.

### **FELSÖKNING**

- Eventuell lödning ska utföras av kompetent personal.
- Vid eventuellt byte av rör måste kopparrör enligt normen SS EN 12735-1 användas.
- Söka efter läckage via test under tryck:
  - Använd aldrig syre eller tryckluft, då det innebär risk för brand eller explosion,
  - Använd flytande kväve eller en blandning av kväve och kylmedel som anges på märkplåten, samt
  - Provtryck för låg- respektive högtryckssida får inte överstiga 42 bar om enheten har tillvalet med manometer.
- För rörverk i högtryckskretsen som utförs med kopparrör med diameter lika med eller större än 1 5/8-dels tum ska ett intyg enligt § 2.1 i standard SS EN 10204 krävas av leverantören och sparas i servicehandboken.
- Tekniska data som rör säkerhetskrav i enlighet med olika tillämpliga direktiv måste anges på märkplåten. Alla dessa data måste anges i installationsmanualen för apparaten, vilken ska finnas i apparatens tekniska installationsdokumentation: modell, kod, serienummer, TS maximum och minimum, PS, tillverkningsår, CE-märkning, tillverkarens adress, köldmedium och vikt, elektriska parametrar samt termodynamiska och akustiska värden.

### **MÄRKNING**

- Utrustningen ska vara märkt, med notering om att den har tagits ur drift och att köldmediet har tömts ut.
- Märkningen ska vara daterad och undertecknad.
- Var noga med, för enheter innehållande brandfarligt köldmedium, att märkning sätts på utrustningen som anger att den innehåller ett brandfarligt köldmedium.

## UPPSAMLING

- Vid tömning av köldmedium för service eller urdrifttagande rekommenderar vi att man följer god praxis för att tömma ut allt köldmedium på ett helt säkert sätt.
- Var då köldmediet förs över till en flaska noga med att använda en uppsamlingsflaska som är lämpad för köldmediet. Se till att ha tillräckligt antal flaskor för att samla upp allt köldmedium. Alla flaskor som används ska vara konstruerade för uppsamling av köldmedium och ska vara märkta för detta specifika köldmedium. Flaskorna ska vara försedda med väl fungerande säkerhets- och avstängningsventiler. De tomma uppsamlingsflaskorna ska före uppsamling vara uttömda och om möjligt kylta.
- Tömningsaggregatet ska vara i gott funktionsdugligt skick, anvisningarna för hur aggregatet används ska finnas nära till hands och aggregatet ska vara lämpat för aktuellt köldmedium, inbegripet, i förekommande fall, brandfarligt köldmedium. Vidare ska en samling kalibrerade vågar finnas till hands och vara i gott funktionsdugligt skick. Slangarna ska vara hela, utan läckage eller fränkopplade kopplingar och ska vara i gott skick. Verifiera innan du använder tömningsaggregatet att det är i gott funktionsdugligt skick, är väl underhållet och att tillhörande elkomponenter gjorts täta för att undvika eventuell brandrisk om köldmedium skulle frigöras. Samråd med tillverkaren om du är osäker.
- Uppsamlat köldmedium ska skickas tillbaka till leverantören av detta i sin uppsamlingsflaska med en anmärkning om överlämnande av avfall. Blanda inte olika köldmedier i uppsamlingsenheterna och särskilt inte i flaskorna.
- Kontrollera, om kompressorn demonteras eller kompressoroljan töms ut, att köldmediet verkligen har tömts ut, så att det inte blandas med smörjmedlet. Förfarandet för att tömma ut oljan ska utföras innan kompressorn skickas till leverantören. Endast kompressorhusets elvärmare får användas för att påskynda denna process. När alla vätskor töms ut ur systemet måste arbetet utföras på ett helt säkert sätt.



### Återvinning

Denna symbol krävs enligt EU-direktiv 2012/19/EU (om avfall som utgörs av eller innehåller elektrisk och elektronisk utrustning; WEEE-direktivet) betyder att enheten inte får kastas som vanligt avfall. Den ska bli föremål för särskild avfallssortering och återanvändas, återvinnas eller tas till vara på annat sätt. Innehåller den ämnen som kan vara miljöfarliga ska dessa avlägsnas eller neutraliseras. Hör efter hos återförsäljaren om hur produkten ska återvinnas.

# MINI HEATER

## Installations- och användarmanual

### INDEX

1. Specifikationer
2. Förutsättningar för transport
3. Mått
4. Installation och anslutning
5. Elkablar
6. Styrenhetens funktion
7. Felsökningsguide
8. Sprängskiss
9. Service
10. Tillbehör

Tack för att du valt en Mini Heater poolvärmepump för att värma vattnet i din pool. Den kommer att värma vattnet i poolen och hålla det på en konstant temperatur om omgivande temperatur är högre än 12 °C.



**OBS: Denna handbok innehåller all information som krävs för att använda och installera din värmepump.**

Installatören ska läsa handboken och strikt respektera anvisningarna för drift, driftsättning och säkerhet för produkten.

Installatören ansvarar för installation av enheten och för att tillverkarens anvisningar och nationella bestämmelser respekteras. Bristande respekt för denna handbok medför att all garanti slutar gälla.

Tillverkaren fransäger sig allt ansvar för skada som åsamkas personer och föremål jämte för fel på grund av olämpligt gjord installation.

All annan användning än sådan för vilken enheten har tillverkats ska anses vara farlig.

# 1. Specifikationer

## 1.1 Värmepump för pool

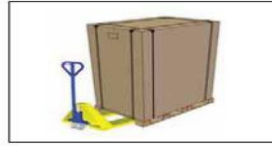
Enhet	HPM20	HPM30	HPM40
Kod	71245	71258	71606
<b>* Uppvärmningseffekt Luft 28 ° C/Vatten 28 ° C/Luftfuktighet 80 %</b>			
Avgiven effekt (kW)	2,5	4,2	5,5
Förbrukning (kW)	0,59	1	1,31
COP-värde	4,2	4,2	4,2
<b>* Uppvärmningseffekt Luft 15 ° C/Vatten 26 ° C/Luftfuktighet 70 %</b>			
Avgiven effekt (kW)	1,9	3,2	4,2
Förbrukning (kW)	0,56	0,91	1,2
COP-värde	3,4	3,5	3,5
<b>* Data</b>			
Strömförsörjning (V)	220-240 V/50 Hz/Enfas		
Märkström (A)	2,6	4,4	5,8
Rekommenderad lastbrytare (A)	7,5	10	16
Rekommenderad högsta poolvolym ** (m <sup>3</sup> )	< 20	< 30	< 40
Minsta och rekommenderade vattenflöde (m <sup>3</sup> /tim)	2	2	2,5
Max/min drifttryck (MPa)	4,2/0,05		
Vattentryck (kPa)	15	15	15
Värmeväxlare	Titan och PVC		
Skyddsklass	IPX4		
Diameter in-/utgång (mm)	38/32		
Bullernivå på 10 m håll dB(A)	48	46	46
Bullernivå på 1 m håll dB(A)	57	55	55
Köldmedium R32 (g)	160	290	400
<b>* Mått och vikt</b>			
Nettovikt (kg)	18	26	30
Bruttovikt (kg)	19	28,5	33
Mått (mm)	313 x 364,5 x 428,5	435 x 436,5 x 511,5	515 x 487 x 541,5
Förpackningens mått (mm)	380 x 455 x 500	496 x 525 x 575	570 x 570 x 605

\* Ovanstående uppgifter kan ändras utan föregående meddelande.

\*\* Närmare uppgifter finns på vårt emballage eller på vår webbplats.

## 2. Förutsättningar för transport

### 2.1 Anvisningar för leverans av kollit



Värmepumpen fästs för transport på fabrik på en pall och skyddas av en kartong. För att undvika skada måste värmepumpen transporteras **förpackad på sin pall**.

Även om leverantören står för transporten, kan all utrustning skadas under befordran till kunden och mottagaren ansvarar för att säkerställa att leveransen svarar mot vad som beställts. Mottagaren ska vid mottagandet på fraktförarens fraktsedel notera om hen konstaterar att emballaget är skadat. **GLÖM INTE ATT INOM 48 TIMMAR BEKRÄFTA TILL FRAKTFÖRAREN MED REKOMMENDERAT BREV.**

### 2.2 Anvisningar för förvaring



En värmepump måste **förvaras och flyttas i lodrätt läge** och i sitt originalemballage. I annat fall kan den inte tas i drift omedelbart. Du måste vänta minst 24 timmar innan produkten strömsätts.

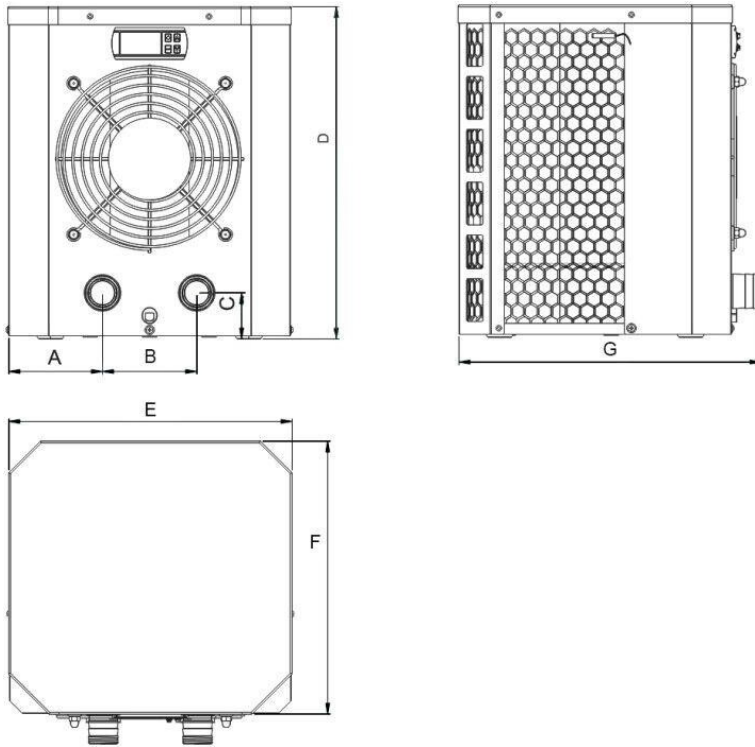
### FÖRBJUDET



### 2.3 Anvisningar för förflyttningen av värmepumpen till dess slutliga plats

Vid uppackning av produkten och vid överföring av den från dess originalpall till dess slutliga plats måste värmepumpen hållas lodrätt. Vattenanslutningarna sitter inte där för att fungera som lyftpunkter, tvärtom. **Om de in- och utgående anslutningarna för vatten belastas med hela pumpens vikt kan produkten skadas oåterkalleligen. Tillverkaren kan i så fall inte hållas ansvarig för eventuell skada.**

### 3. Mått



Artikel/(mm)	A	B	C	D	E	F	G
<b>HPM20</b>	90,4	130	50	428,5	313	300	364,5
<b>HPM30</b>	116,5	200	50	511,5	435	365	436,5
<b>HPM40</b>	134,6	260	50	541,5	515	421	487

## 4. Installation och anslutning

### **OBS:**

Studera nedanstående anvisningar före installation:

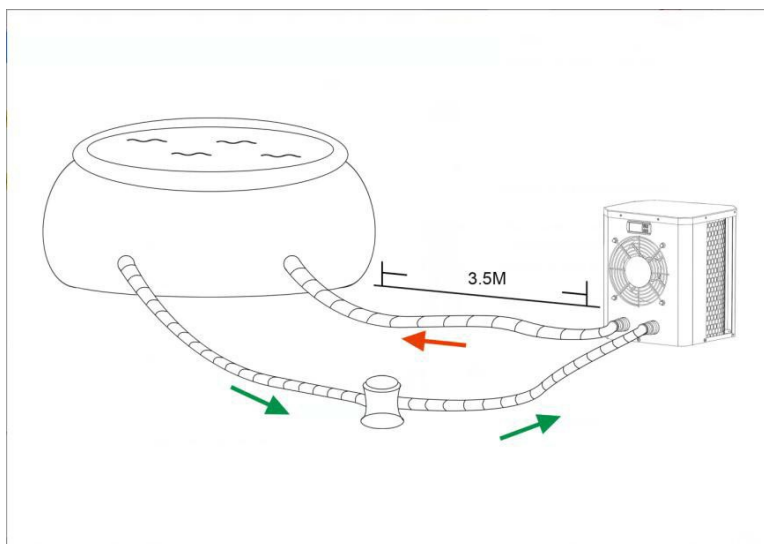
1. Alla produkter som innehåller kemikalier måste installeras före poolvärmepumpen.
2. Håll alltid poolvärmepumpen lodrätt. Vänta minst 24 timmar innan du startar värmepumpen om denna har lutats under transporten.

### **4.1 Poolvärmepumpens placering**

Enheten kan installeras nästan var som helst utomhus, förutsatt att följande villkor är uppfyllda:

#### **1. God luftväxling – 2. Stabil och tillförlitlig strömförsörjning – 3. Ett system för återcirkulering av vatten**

Enheten kan installeras var som helst utomhus, förutsatt att de minsta avstånd som visas i nedanstående ritning respekteras. Samråd med din installatör vid installation inomhus. Det är inget problem att installera på en blåsig plats, utom då en gasvärmare finns i närheten (risk pga. lågorna).



**OBSERVERA:** Enheten får inte installeras på en plats med begränsad luftväxling eller där kontinuerlig lufttillförsel inte kan garanteras. Säkerställ att luftintaget aldrig blockeras. Löv och annat skräp kan fastna på förångaren, vilket gör den mindre effektiv och att dess livstid blir kortare.

### **4.2 Första start av enheten**

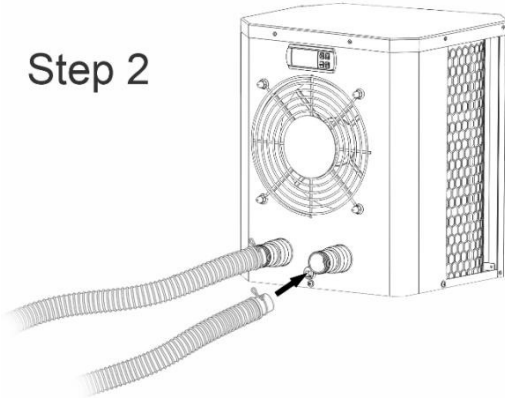
**OBS:** För att värma vattnet i en pool (eller ett spa) måste en filtreringspump vara i drift som garanterar vattenflöde genom värmepumpen. Rinner inget vatten igenom löser värmepumpen ut skyddet mot överhettning och stannar.

### 4.3 Ansluta slangarna

Step 1



Step 2



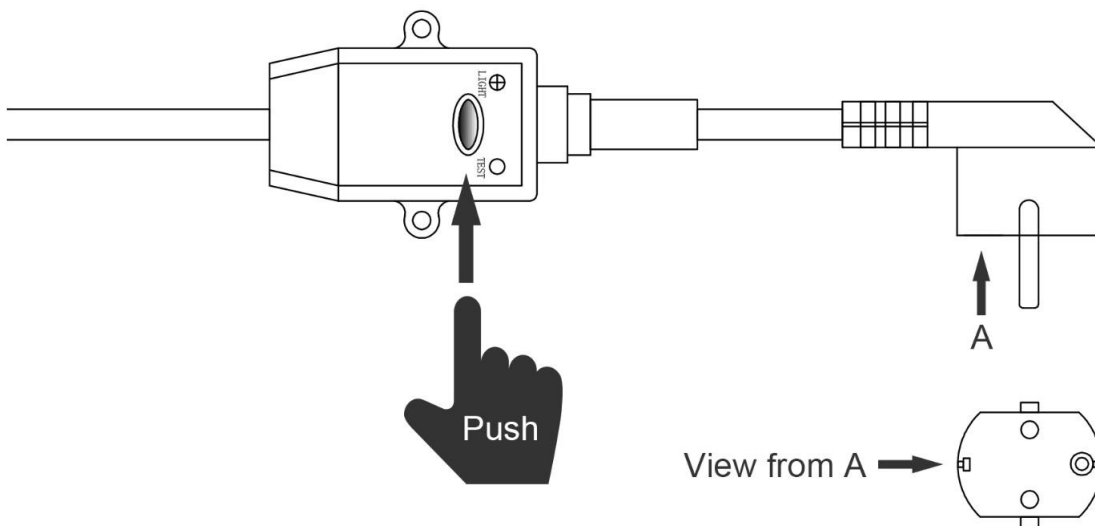
#### OBS:

Endast värmepumpen medföljer. Alla övriga komponenter, inklusive slangar, måste tillhandahållas av användaren eller installatören.

### 4.4 Elanslutningar

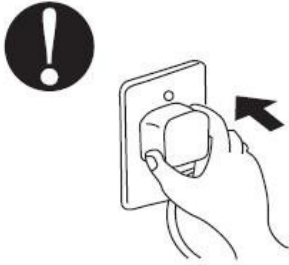
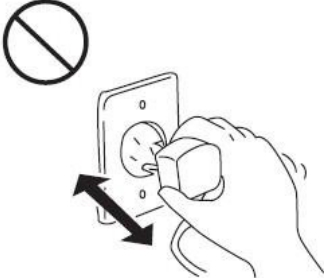
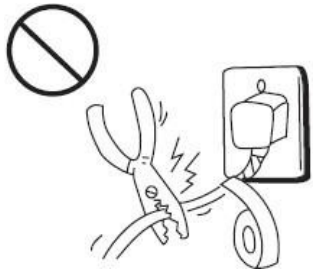
Verifiera innan du ansluter enheten att matningsspänningen motsvarar värmepumpens driftspänning.

Med RCD-kontakten medföljer en matningssladd med elskydd. Testknappen används för att verifiera lastbrytarens kapacitet.





## **OBS:**

<p><b>Säkerställ att elkontakten uppfyller alla krav</b></p> <p>Är kontakten inte rätt ansluten riskerar du en elstöt, överhettning och brandrisk.</p> 	<p><b>Dra aldrig ur elkontakten medan värmepumpen är i drift</b></p> <p>På grund av överhettning finns det annars risk för elstöt eller eldsvåda.</p> 	<p><b>Använd aldrig elkablar som är skadade eller som inte uppfyller kraven för användning</b></p> <p>Annars finns risk för elstöt, överhettning och brandrisk.</p> 
--	---	---

Utför följande steg efter att ha gjort alla anslutningar:

- (1) Slå på filtreringspumpen, verifiera att det inte finns några vattenläckage och flödet vid poolen
- (2) Slå på enhetens elmatning och tryck sedan på knappen ON/OFF på styrenheten.
- (3) Säkerställ efter några minuters drift att luften som blåses ut är kall.
- (4) När man stänger av filtreringspumpen ska även enheten stängas av automatiskt. Kontrollera i annat fall flödesomkopplaren.

Beroende på vilken temperatur poolvattnet har från början och luftens temperatur, måste installationen kanske köras i flera dagar för att värma vattnet till önskad temperatur.

Ett bra poolskydd (täcke, solskydd) kan göra att betydligt kortare tid krävs.

### **Fördröjning:**

enheten har ett inbyggt skydd med 3 minuters fördröjning av omstart. Fördröjningen utgör en integrerad del av kompressorns styrkrets och skydd.

Funktionen med fördröjning hindrar eventuell automatisk omstart av enheten (i omkring 3 minuter) efter varje avbrott av styrningen. Även ett kort strömbrott aktiverar fördröjningen på 3 minuter och hindrar enheten från att starta om tills nedräkningen på 3 minuter är klar.

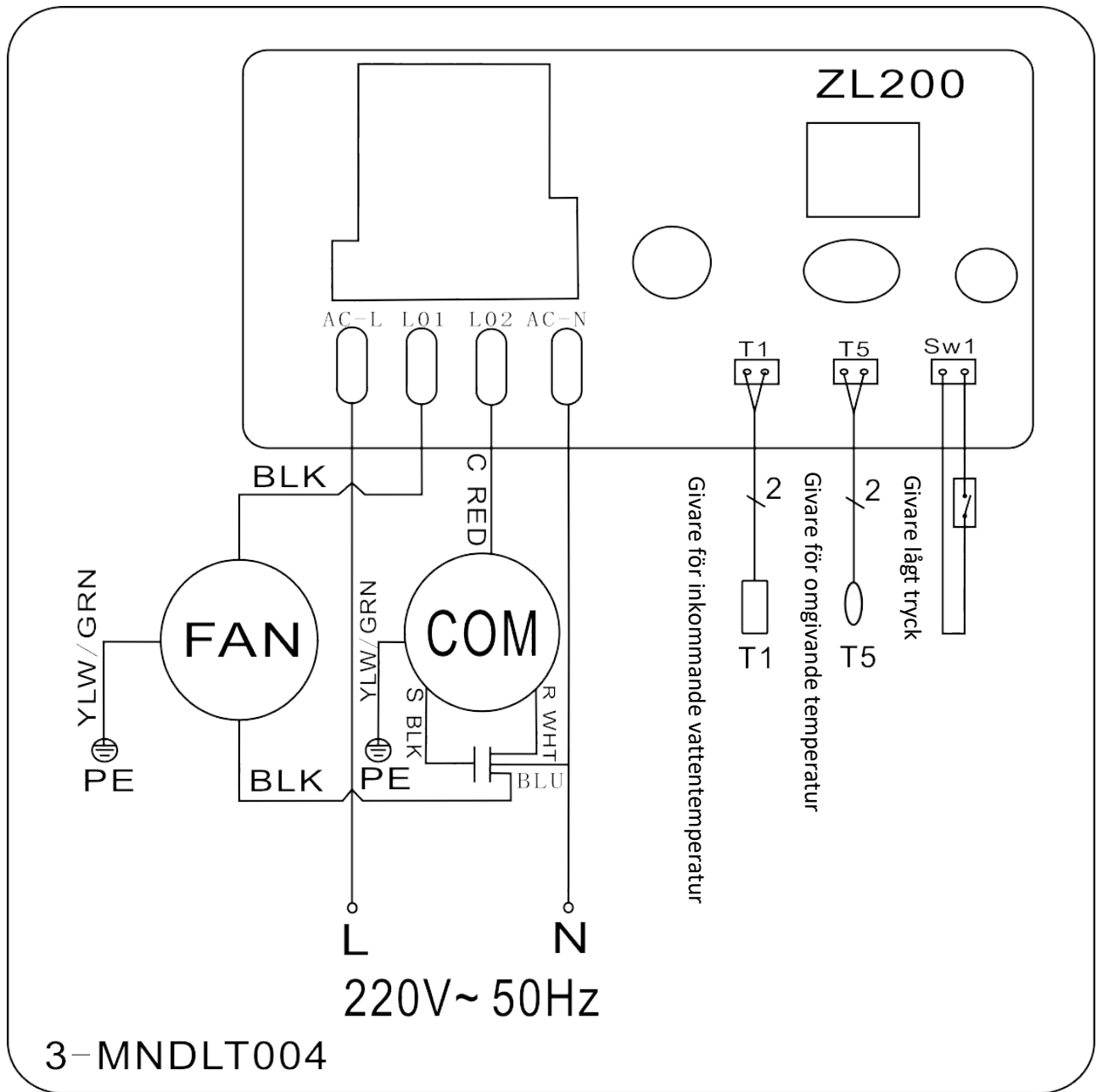
### **4.5 Kondensering**

För att värma poolvattnet kyls den luft som sugas in i värmepumpen ned kraftigt genom enhetens funktion, vilket kan ge upphov till kondens på förångarens lameller. Vid en relativt hög luftfuktighet kan mängden kondensvatten uppgå till flera liter i timmen. Ibland uppfattas detta felaktigt som ett vattenläckage.

## 5. Elkablar

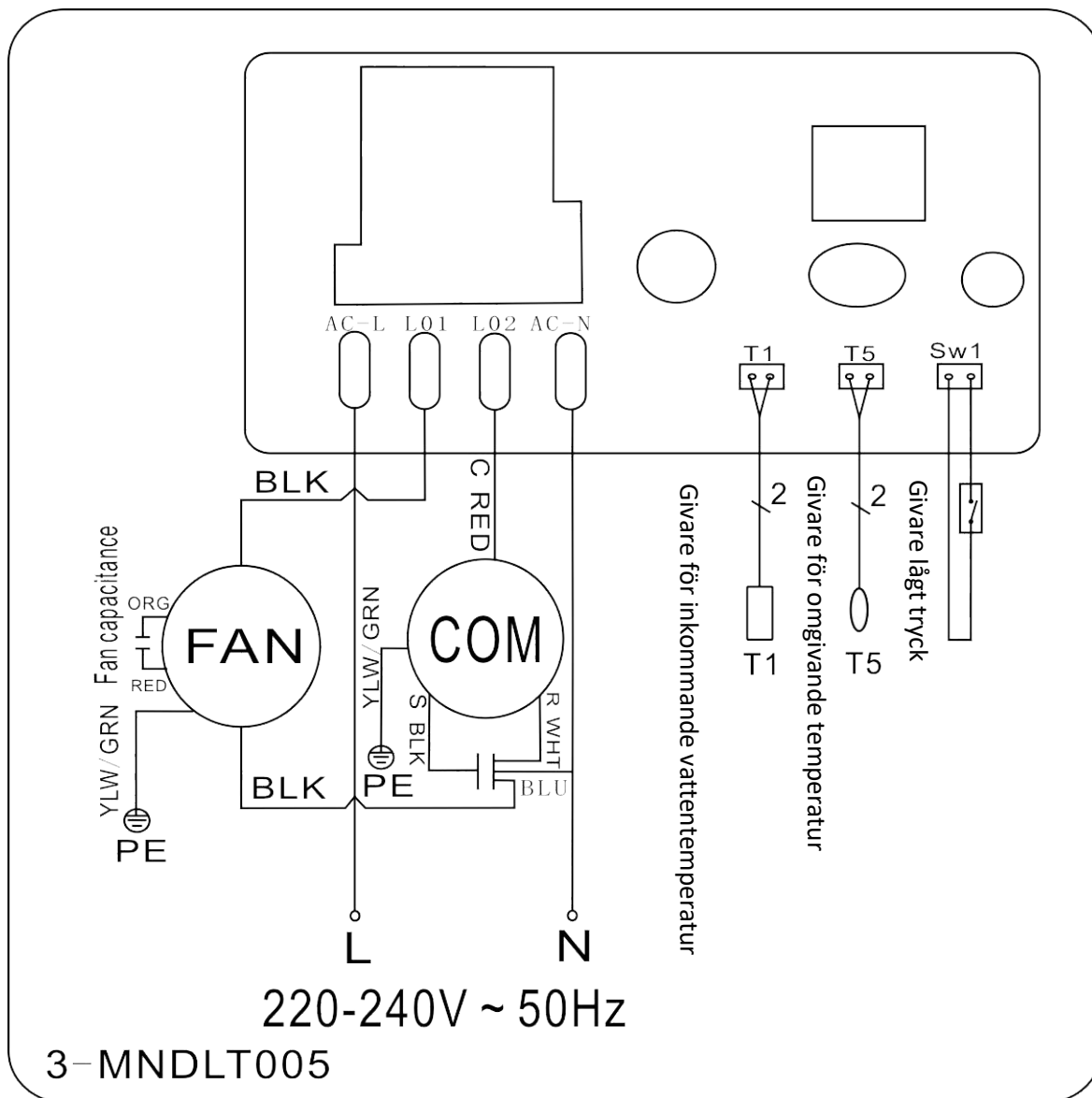
### 5.1 Kopplingsschema för poolvärmepumpen

HPM20



## 5.2 Kopplingschema för poolvärmepumpen

HPM30/HPM40



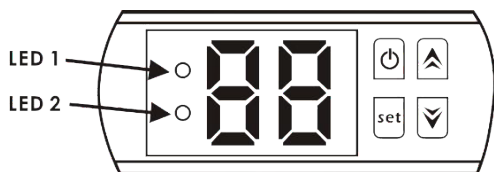
### OBS:

- (1) Ovanstående kopplingschema visas endast upplysningsvis. Använd det schema som visas på enheten.
- (2) Även om värmeväxlaren är elektriskt isolerad från resten av enheten, måste poolvärmepumpen vara ordentligt jordad. Jordning av enheten krävs alltid för att skydda mot eventuell kortslutning av enheten.

**Frånskiljare:** ett sätt att bryta elmatningen (lastbrytare, brytare med säkringar) som ska vara lätt att se och komma åt från enheten. För värmepumpar för hushålls- och kommersiellt bruk är det praxis av allmänna och säkerhetsskäl. Med hjälp av denna kan man på distans göra enheten strömlös när den inte står under tillsyn och även isolera dess matning när den repareras.

## 6. Styrenhetens funktion


### 6.1 LED-manöverpanelens funktioner




**När värmepumpen är i drift visar LED-displayen inkommande vattentemperatur.**



När värmepumpen är i drift lyser LED 1 med fast sken. När värmepumpen har ett fel lyser LED 2 med fast sken.

### 6.2 Starta och stoppa värmepumpen

Tryck på  för att starta värmepumpen. På displayen visas önskad temperatur i fem sekunder, därefter visas inkommande vattentemperatur.

Tryck på  för att stoppa värmepumpen.

### 6.3 Ställa in vattentemperaturen:

Tryck på  och  för att välja önskad temperatur (värde: 10-42 °C.)

Tryck på  och  för att spara markerat värde.

OBS: OBS: värmepumpen fungerar endast om filtreringspumpen körs.

### 6.4 Gör så här för att verifiera värdena.

Tryck i vänte- eller driftläge på . Tryck sedan på  eller  för att välja värde d0 eller d1. Tryck på  för att markera det och visa värdet.

Värde	Värde
d0	Omgivande temperatur
d1	Vattentemperatur

**Anm: Värdena kan inte ändras användare.**

## 7. Felsökningsguide

### 7.1 Felkod som visas på manöverpanelen

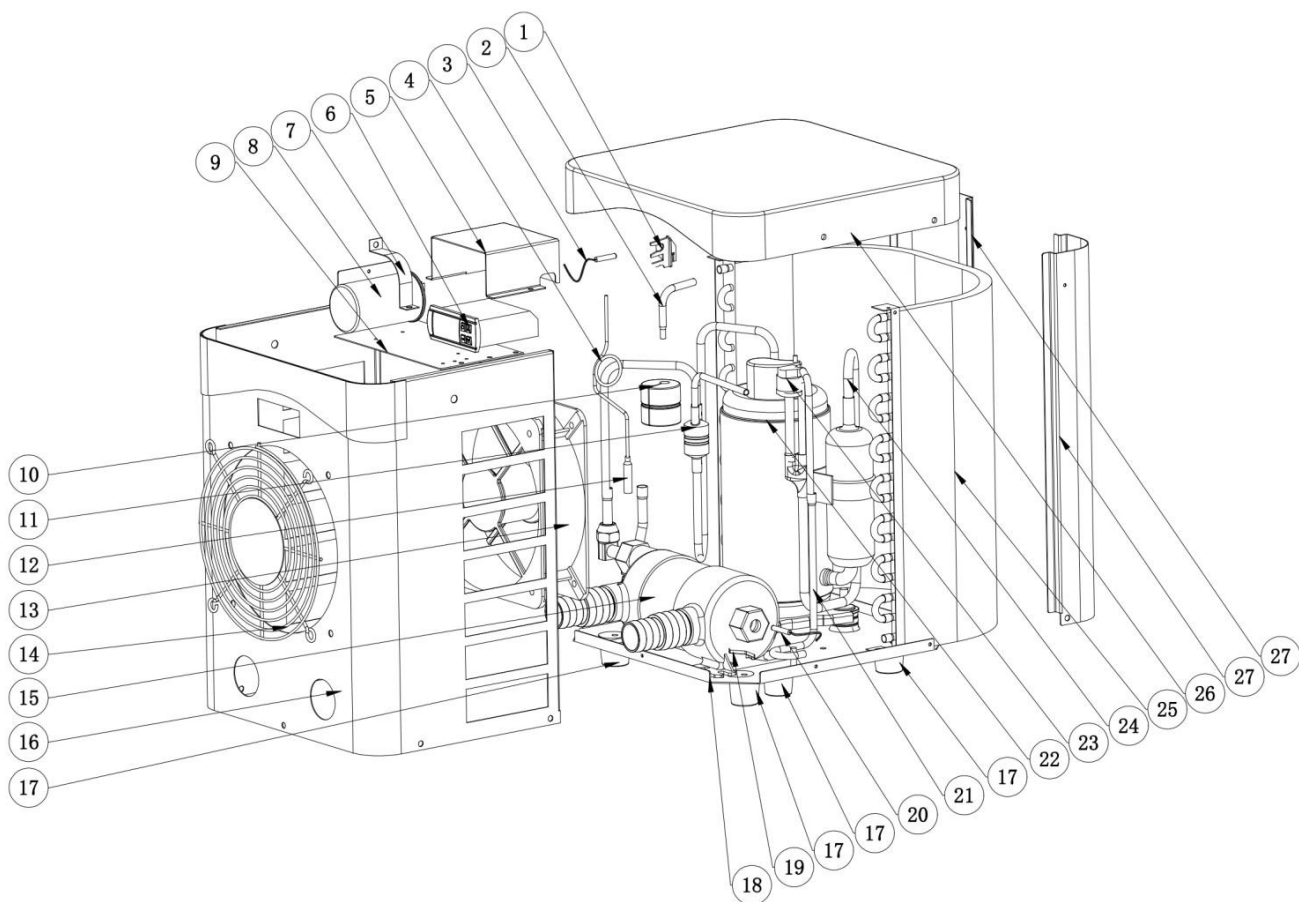
Fel	Felkod	Orsak	Lösning
Skydd för låg omgivande temperatur	P0	1. Omgivande temperatur är lägre än 12 °C 2. Fel på styrenheten.	1. Vänta tills omgivande temperatur stiger till 13 °C 2. Byt styrenheten.
Fel på givaren för inkommande vatten	P1	Givare för kretsens temperatur öppen eller kortsluten.	Byt givaren för vattentemperatur.
Givare för omgivande temperatur	P2	Kretsen till givaren för omgivande temperatur är öppen eller kortsluten.	Byt givaren för omgivande temperatur.
Lågtrycksskydd	EL	1. Brytare lågt tryck frånkopplad eller defekt 2. Gasläckage.	Kontakta en behörig tekniker för att arbeta med gaskretsen.

## 7.2 Andra fel och lösningar (som inte visas på LED-styrenheten)

Fel	Anmärkningar	Orsak	Lösning
Värmepumpen fungerar inte	Inget visas på LED-styrenheten	Ingen matning.	Verifiera lastbrytare och elanslutning
	LED-styrenheten visar faktisk vattentemperatur.	1. Vattentemperaturen uppnår fastställt värde, värmepumpen är stoppad i vänteläge. 2. Värmepumpen har just startat (3 minuter)	1. Verifiera inställningen av vattentemperatur. 2. Vänta tills värmepumpen startar efter några minuter.
Kort drift	LED-styrenheten visar faktisk vattentemperatur; ingen felkod visas	1. Fläkten fungerar inte 2. Luftväxlingen är otillräcklig 3. För lite köldmedium.	1. Verifiera kabelanslutningarna mellan motor och fläkt och byt vid behov. 2. Verifiera värmepumpens placering och eliminera allt som hindrar god luftväxling. 3. Byt eller reparera värmepumpen
Vattenfläckar	Vattenläcker ut under värmepumpen	1. Kondensat som kommer från förångaren i drift. 2. Inträngande vatten	1. Ingen åtgärd – normal funktion för värmepumpen. 2. Verifiera värmeväxlaren i titan för att se om det finns ett läckage.

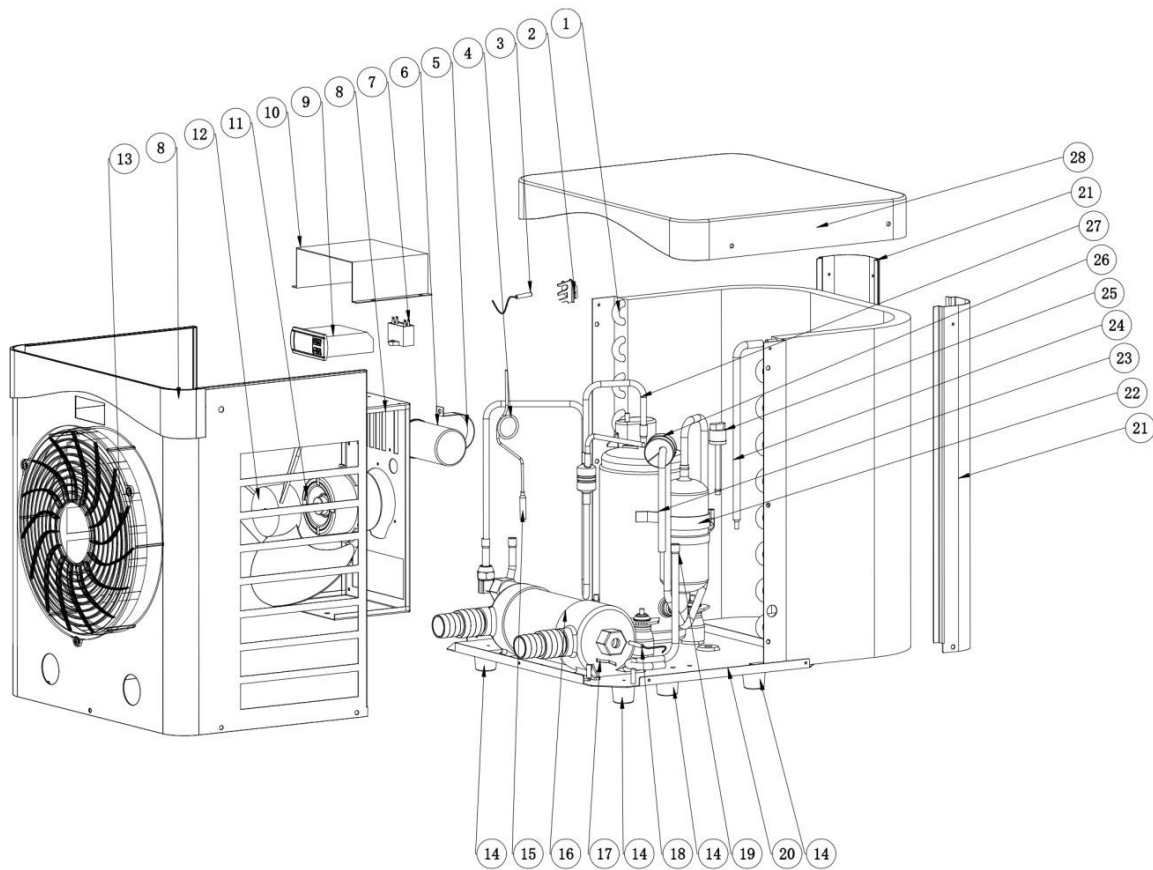
## 8. Sprängskiss

Enhet: HPM20



Nr	Benämning	HPM20	Nr.	Benämning	HPM20
1	Clips till givaren för	102040891	15	Värmeväxlare i titan	102040891
2	Gasrör	108680047	16	Frontpanel	108680047
3	Temperaturgivare T5	136020168	17	Gummifötter	136020168
4	Kapillär	108680045	18	Socket	108680045
5	Elskåp	108010025	19	Klammer	108010025
6	Styrenhet	117110068	20	Givare för vattentemperatur T1	117110068
7	Clips för fastsättning	113050123	21	Samlingsrör i koppar	113050123
8	Kompressorns kondensor	101000233	22	Kompressor	101000233
9	Övre fläktpanel	116000091	23	Mini-pressostat för lågt tryck	116000091
10	Gummihammare	113010300	24	Gasrör	113010300
11	Rörverk för gasåterflöde	103000236	25	Förångare	103000236
12	Gasrör	133400001	26	Övre panel	133400001
13	Fläkthäste	108680046	27	Bakre stötta vänster	108680046
14	Skyddsgaller fläkt				

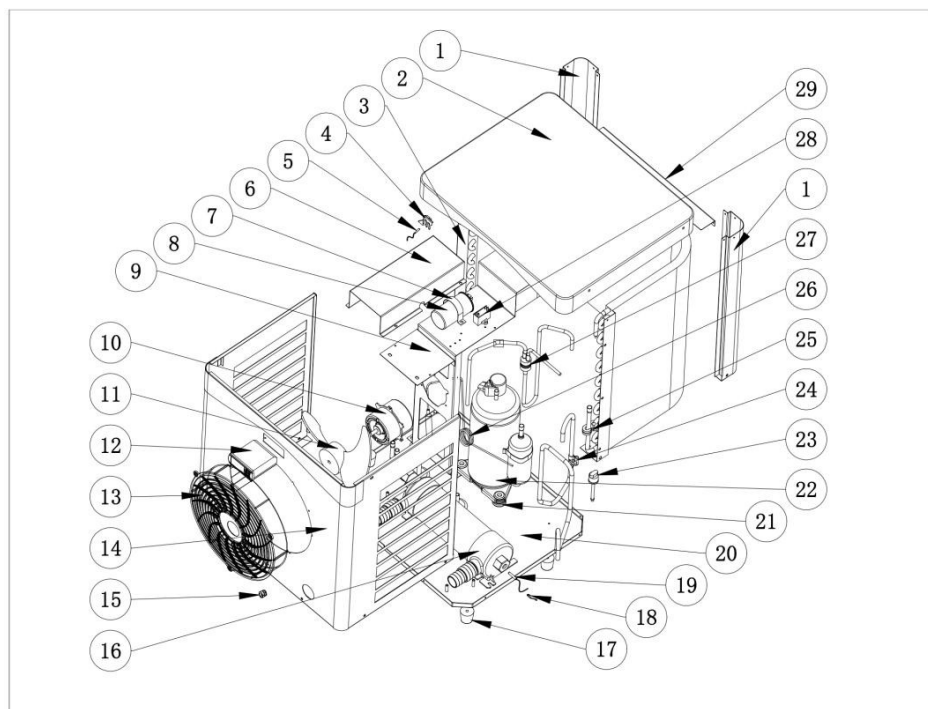
Enhet: HPM30



Nr	Benämning	HPM30	Nr	Benämning	HPM30
1	Förångare	103000237	15	Gasrör	113100027
2	Clips till temperaturgivare	133020010	16	Värmeväxlare i titan	102040900
3	Givare för omgivande temperatur	117110079	17	Klammer	108010025
4	Kapillär	109000038	18	Temperaturgivare för inkommande vatten T1	117110068
5	Clips för fastsättning	108010006	19	Gasrör	113050125
6	Kompressorns kondensor	111000011	20	Sockel	108690033
7	Flätkondensor	111000034	21	Bakre stötta vänster	108690048
8	Frontpanel	108690047	22	Kompressor	101000232
9	Styrenhet	117020189	23	Gasrör	113020467
10	Elskåp	108690015	24	Gasrör	113420129
11	Fläktmotor	112000054	25	Givare lågt tryck	116000091
12	Fläkt	132000024	26	Gummihammare	136020026
13	Skyddsgaller fläkt	133020052	27	Gasrör	113010351
14	Gummifötter	136020168	28	Övre panel	133330004



**Enhet: HPM40**



Nr	Benämning	HPM40	Nr	Benämning	HPM40
1	Bakre stötta vänster	108950009	16	Värmeväxlare i titan	117020363
2	Övre panel	133440001	17	Gummifötter	136020168
3	Förångare	103000343	18	Clips till temperaturgivare för	108010025
4	Clips för att fästa givare	133020010	19	Temperaturgivare för inkommande vatten T1	117110068
5	Temperaturgivare för inkommande vatten T1	117110068	20	Sockel	108950007
6	Elskåp	108950006	21	Gummifötter till	101000241
7	Clips för fastsättning	108010006	22	Kompressor	101000241
8	Kompressorns kondensor	111000012	23	Givare lågt tryck	116000091
9	Fäste till fläktmotor	108950010	24	Gasrör	113020602
10	Fläktmotor	112000079	25	Styrenhet	136020018
11	Fläkt	132000024	26	Kapillär	109000038
12	Styrenhet	117020302	27	Gasrör	113020624
13	Skyddsgaller fläkt	133020052	28	Flätkondensor	111000034
14	Frontpanel	108950008	29	Fästplåt till fäste	108950011
15	Kabelgenomföring	142000126	30	Gummifötter till	101000241

## 9. Service

(1) För att undvika att luft tränger in i rörverket och medför att flödet blir för dåligt måste vattenkretsen regelbundet verifieras. I annat fall skulle värmepumpens prestanda och tillförlitlighet försämrats.

(2) Rengör regelbundet poolen och filtreringssystemet.

(3) Var alltid noga med att tömma vattnet ur värmepumpen över vintern eller om omgivande temperatur går ned under 0 °C. I annat fall kan värmeväxlaren i titan frostska och garantin gäller inte längre.

(4) Fyll hela systemet med vatten innan du använder enheten igen.

(5) När enheten är i drift kommer det alltid att rinna ut lite kondensvatten undertill.

## 10. Tillbehör



## **SV – GARANTIBEVIS**

### **1 ALLMÄNNA FRÅGOR**

**4.6** Säljaren garanterar i enlighet med dessa bestämmelser att den produkt som omfattas av denna garanti (Produkten) inte vid tidpunkten för leveransen är behäftad med några brister avseende ej uppfyllda krav.

**4.7** Garantitiden för Produkten är två år och räknas från den tidpunkt då den överlämnas till köparen.

**4.8** Om en brist avseende ej uppfyllda krav uppstår på Produkten och om köparen meddelar säljaren därom innan Garantitiden har utlöp, ska säljaren på egen bekostnad och på plats som denne finner lämplig reparera eller byta ut Produkten, med mindre detta är omöjligt eller orimligt.

**4.9** När Produkten varken kan repareras eller bytas ut kan köparen begära en proportionerlig nedsättning av priset eller, om bristen avseende ej uppfyllda krav är tillräckligt betydande, att köpeavtalet hävs.

**4.10** Delar som byts ut eller repareras i enlighet med denna garanti medför inte att garantitiden för den ursprungliga Produkten förlängs. Sådana delar omfattas av en egen garanti.

**4.11** För att denna garanti ska gälla måste köparen styrka vilken dag hen förvärvat och mottagit Produkten.

**4.12** När mer än sex månader förflutit sedan Produkten överlämnats till köparen och om denne hävdar att Produkten är behäftad med en brist avseende ej uppfyllda krav, måste köparen styrka grundorsaken till det påstådda felet och att detta föreligger.

**4.13** Föreliggande garantibevis begränsar inte och inkräktar inte på de rättigheter som tillkommer konsumenter i enlighet med tvingande nationella normer.

### **2 SÄRSKILDA VILLKOR**




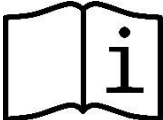
- Föreliggande garanti omfattar de produkter till vilka hänvisas i denna handbok.
- Föreliggande garantibevis är endast giltigt i Europeiska unionens medlemsstater.
- För att denna garanti ska gälla måste köparen strikt respektera tillverkarens anvisningar i den dokumentation som åtföljer Produkten, då denna ska gälla beroende på Produktens sortiment och modell.
- När ett tidsschema anges för att byta, utföra service på eller rengöra vissa av Produktens delar eller komponenter, gäller garantin endast om nämnda tidsschema har respekterats i vederbörlig ordning.

### **3 BEGRÄNSNINGAR**

- Föreliggande garanti gäller endast vid försäljning till konsument, varvid som konsument betraktas varje person som köper Produkten i annat syfte än sådant som omfattas av dennes näringsverksamhet.
- Ingen garanti lämnas avseende normalt slitage på grund av att produkten används. Beträffande fungibla eller förbrukningsdelar, -komponenter och/eller -material, som batterier, glödlampor m.m, måste man i förekommande fall respektera vad som föreskrivs i den dokumentation som åtföljer Produkten.
- Garantin omfattar inte fall då Produkten (I) varit föremål för felaktig behandling, (II) reparerats, underhållits eller handhåfts av en obehörig person eller (III) reparerats eller underhållits med andra än originaldelar. Då bristen avseende ej uppfyllda krav för Produkten är följden av felaktig installation eller driftsättning täcker denna garanti endast då nämnda installation eller driftsättning omfattas av köpeavtalet för och försäljningen av Produkten och har utförts av säljaren eller under dennes ansvar.



## AVERTISMENTE

	Acest simbol arată că informațiile mai detaliate sunt disponibile în Manualul de utilizare sau în cel de instalare.		Acest simbol arată că aparatul utilizează R32, un agent frigorific cu viteză de ardere redusă.
	Acest simbol arată că Manualul de utilizare trebuie citit cu atenție.		Acest simbol arată că acest echipament trebuie manipulat de un tehnician de întreținere, conform Manualului de utilizare.

### AVERTISMENTE GENERALE

- Nerespectarea avertismentelor poate cauza daune echipamentului pentru piscină sau răniri grave și chiar decesul.
- Doar o persoană calificată în domeniile tehnice implicate (electric, hidraulic sau frigotehnic) este abilitată să se ocupe de mentenanța sau repararea aparatului. Tehnicianul calificat care efectuează intervenții asupra aparatului trebuie să folosească/poarte un echipament individual de protecție (de ex., ochelari și mănuși de protecție etc.) pentru a reduce orice risc de rănire care ar putea surveni în timpul lucrului.
- Înainte de orice intervenție asupra aparatului, asigurați-vă că acesta este scos de sub tensiune și blocat.

Acest aparat nu este prevăzut pentru a fi utilizat de persoane (inclusiv de copii) ale căror capacități fizice, senzoriale sau mentale sunt reduse ori de persoane lipsite de experiență și cunoștințe, cu excepția cazului în care acestea au beneficiat, prin intermediul unei persoane responsabile pentru siguranța lor, de supraveghere și instrucțiuni prealabile privind utilizarea aparatului. Este necesară supravegherea copiilor pentru ca aceștia să nu se joace cu aparatul.

- Acest dispozitiv poate fi utilizat de copii cu vârsta de cel puțin 8 ani și persoane cu capacități fizice, senzoriale sau mentale reduse ori fără experiență sau cunoștințe, dacă sunt supravegheate corespunzător ori dacă li s-au dat instrucțiuni referitoare la utilizarea în siguranță a aparatului și dacă au fost înțelese riscurile implicate. Sunt interzise efectuarea curățării și întreținerii care revin utilizatorului de către copii nesupravegheați.
- Instalarea aparatului trebuie efectuată conform instrucțiunilor producătorului, respectând normele locale și naționale în vigoare. Instalatorul este responsabil pentru montarea aparatului și respectarea reglementărilor naționale privind instalarea. Producătorul nu poate fi făcut în niciun caz răspunzător pentru nerespectarea normelor de instalare locale, aflate în vigoare.
- Pentru orice altă acțiune, cu excepția întreținerii obișnuite de către utilizator descrisă în aceste instrucțiuni, întreținerea produsului trebuie realizată de către un profesionist calificat.
- Orice instalare și/sau utilizare necorespunzătoare poate duce la daune materiale ori corporale grave (care pot conduce la deces).
- În caz de nefuncționare a aparatului, nu încercați să-l reparați singuri, ci contactați un tehnician calificat.
- Orice dezactivare, eliminare sau evitare a unuia dintre elementele de securitate integrate în aparat anulează automat garanția, la fel și în cazul utilizării pieselor de schimb de la un producător terț neautorizat.
- Nu pulverizați insecticid sau alt produs chimic (inflamabil ori neinflamabil) în direcția aparatului, acesta ar putea deteriora caroseria și provoca un incendiu.
- Nu atingeți ventilatorul și nici piesele mobile și nu introduceți obiecte sau degetele în apropierea pieselor mobile în timpul funcționării aparatului. Piesele mobile pot provoca vătămări grave, chiar

mortale.

#### **AVERTIZĂRI PRIVIND APARATELE ELECTRICE**

- Alimentarea electrică a aparatului trebuie să fie protejată printr-un dispozitiv dedicat de protecție, cu curent diferențial rezidual (DDR) de 30 mA, în conformitate cu normele în vigoare ale țării unde are loc instalarea.
- Nu utilizați prelungitoare pentru a conecta aparatul; cuplați-l direct la un circuit de alimentare adaptat.
- Înainte de orice operațiune, verificați dacă:
  - tensiunea indicată pe plăcuța cu specificațiile aparatului corespunde celei din rețea,
  - rețeaua de alimentare este adecvată pentru utilizarea aparatului și dacă dispune de o priză cu împământare,
  - fișa de alimentare se adaptează la priza de curent.
- Nu deconectați și reconectați aparatul în cursul funcționării.
- Nu trageți de cablul de alimentare pentru a-l deconecta.
- În cazul în care cablul de alimentare este deteriorat, acesta trebuie înlocuit obligatoriu de către producător, tehnicianul acestuia sau o persoană calificată, în vederea garantării securității.
- Nu efectuați lucrări de întreținere sau reparare ale aparatului cu mâinile ude sau dacă aparatul este ud.
- Înainte de conectarea aparatului la sursa de alimentare, verificați că blocul de racordare sau priza de alimentare la care va fi conectat aparatul este în stare bună și nu este deteriorat(ă) sau ruginit(ă).
- Pe timp de furtună, deconectați aparatul de la priza de alimentare, pentru a evita ca acesta să fie deteriorat de trăsnet.
- Nu introduceți aparatul în apă sau noroi; țineți disjunctorul ferit de apă.

#### **AVERTISMENTE PRIVIND APARATELE CARE CONȚIN AGENTUL FRIGORIFIC R32**

- Agentul frigorific R32 este de categoria A2L, care este considerată ca potențial inflamabilă.
- Nu descărcați agentul R32 în atmosferă. Acest fluid est un gaz fluorurat cu efect de seră, acoperit de protocolul de la Kyoto, cu potențial de încălzire globală (GWP) = 675 (reglementarea europeană UE 517/2014).
- Instalați unitatea în exterior. Nu instalați unitatea în interior sau într-un loc închis și fără aerisire în exterior.
- Aparatul trebuie păstrat într-un loc fără vreo sursă de scânteii care să funcționeze permanent (de ex.: flăcări în aer liber, aparat cu gaz în funcțiune sau încălzire electrică în funcțiune).
- Nu se va găuri și nici incinera.
- De notat că agentul frigorific R32 poate degaja un anumit miros.
- Cel puțin o dată pe an trebuie efectuată o verificare a scurgerilor la circuitul de răcire, în conformitate cu normele și reglementările aplicabile în materie de mediu și instalare, mai precis decretul 2015-1790 și/sau reglementarea europeană UE 517/2014. Această lucrarea trebuie efectuată de un specialist certificat pentru aparate de răcire.
- Vă rugăm să păstrați afișajul într-un loc uscat sau să-i închideți capacul, pentru a evita deteriorarea acestuia din cauza umezelii.

#### **ÎNTREȚINERE: AVERTISMENTE PRIVIND APARATELE CARE CONȚIN AGENTUL FRIGORIFIC R32**

- În timpul etapei de întreținere a aparatului, compoziția și starea agentului termic trebuie verificate, precum și lipsa urmelor de agent frigorific.
- În timpul verificării anuale a etanșeității aparatului, conform legilor în vigoare, verificați dacă presostatele de înaltă și joasă presiune sunt conectate corect pe circuitul frigorific și că acestea întrerup circuitul electric în cazul declanșării.
- În timpul etapei de întreținere, asigurați-vă că nu există urme de coroziune sau pete de ulei în jurul componentelor frigorifice.
- Nu brazați și nici nu sudați conducta, dacă în interiorul utilajului există agent frigorific. Aveți grijă să nu încărcați gazul într-un spațiu limitat.

### ***Verificarea zonei***

- Înainte de a începe să lucrați la sistemele care conțin lichide frigorifice inflamabile, sunt necesare controale de siguranță, pentru a garanta că riscul producerii unor scântei este redus.

### ***Procedura de lucru***

- Lucrările trebuie efectuate conform unei proceduri controlate, pentru a reduce riscul de eliberare a unui gaz sau a vaporilor inflamabili, în timpul lucrărilor.
- Înaintea oricărei intervenții asupra circuitului frigorific, este imperativ să opriți aparatul și să așteptați câteva minute înainte de montarea senzorilor de temperatură sau presiune; anumite echipamente, precum compresorul și conductele pot atinge temperaturi mai mari de 100 °C și niveluri înalte de presiune, putând provoca arsuri grave.

•

### ***Zona generală de lucru***

- Întregul personal de întreținere, precum și celelalte persoane care lucrează în apropiere trebuie ținute la curent cu privire la lucrările efectuate. Lucrările în spații închise trebuie evitate.

### ***Verificarea prezenței agentului frigorific***

- Zona trebuie să facă obiectul unei verificări cu un detector de agent frigorific adecvat, înainte și în timpul lucrărilor, pentru ca tehnicianul să fie avertizat cu privire la prezența unei atmosfere potențial toxice sau inflamabile. Asigurați-vă că echipamentul de detectare a scurgerilor utilizat este adaptat pentru folosirea tuturor agenților frigorifici respectivi, adică nu poate produce o scântei, este izolat corect sau perfect sigur.

### ***Prezența unui extingtor***

- Dacă la echipamentul frigorific sau la orice piesă aferentă trebuie efectuate lucrări ce presupun o anumită temperatură, trebuie avut la îndemână un echipament de stingere a incendiilor adecvat. Puneți un extingtor cu pulbere sau cu CO<sub>2</sub> în apropierea zonei de lucru.

### ***Absența oricărei surse de aprindere***

- Nicio persoană care efectuează lucrări la un sistem frigorific și trebuie să expună conductele nu trebuie să utilizeze niciun fel de sursă de scântei care ar putea prezenta un risc de incendiu sau de explozie. Toate sursele de scântei posibile, de ex. o țigară, trebuie menținute la o distanță suficientă față de locul de instalare, reparare, retragere sau eliminare, deoarece agentul frigorific poate fi eliberat în spațiul înconjurător. Înainte de începerea lucrărilor, trebuie examinată zona din jurul echipamentului, pentru a se asigura că nu prezintă risc de incendiu sau de producere a unor scântei. Trebuie afișate panouri cu „Fumatul interzis”.

### ***Ventilarea zonei***

- Înainte de a accesa, în orice mod, unitatea, pentru a efectua orice fel de lucrare de întreținere, asigurați-vă că zona este deschisă și bine aerisită. În timpul lucrărilor de întreținere a unității, trebuie menținută o aerisire adecvată, ce permite dispersarea în totală siguranță a oricărui agent frigorific care ar putea fi eliberat în atmosferă.

### ***Verificarea echipamentului de răcire***

- Trebuie respectate întotdeauna recomandările producătorului în ceea ce privește întreținerea. La înlocuirea componentelor electrice, asigurați-vă că nu utilizați decât componente de același tip și din aceeași categorie ca cele recomandate/aprobate de către producător. În caz de dubii, consultați serviciul tehnic al producătorului, pentru asistență.
- La instalațiile care utilizează agenți frigorifici inflamabili, trebuie aplicate verificările următoare:
  - marcasele de pe echipament trebuie să rămână vizibile și lizibile, iar orice marcaj sau semnalizare ilizibil trebuie corectat;
  - conductele sau componentele frigorifice sunt instalate într-o poziție în care este puțin probabil să fie expuse la vreo substanță care ar putea coroda componentele ce conțin agent frigorific, exceptând cazul în care componentele sunt fabricate din materiale care, în mod normal, rezistă la coroziune sau sunt protejate corect contra acesteia. Verificarea componentelor electrice
- Repararea și întreținerea componentelor electrice trebuie să cuprindă controale de siguranță inițiale și proceduri de inspecție a componentelor. Dacă apare o defecțiune care ar putea compromite

siguranța, nu trebuie cuplată la circuit nicio alimentare electrică, până la rezolvarea completă a acesteia. Dacă defecțiunea nu poate fi remediată imediat, dar lucrările trebuie continuate, trebuie găsită o soluție temporară adecvată. Aceasta trebuie semnalată proprietarului echipamentului, pentru ca toate persoanele implicate să fie avertizate.

- Reparația și întreținerea componentelor electrice trebuie să cuprindă următoarele controale de siguranță inițiale:
  - condensatorii sunt descărcați: acest lucru trebuie efectuat în totală siguranță, pentru a evita orice posibilitate de producere a unor scântei;
  - nicio componentă electrică și niciun cablaj alimentat nu este expus în timpul încărcării, repunerii în funcțiune sau purjării sistemului;
  - racordarea la pământ trebuie să fie prezentă continuu.

#### **Reparații la componentele izolate**

- În timpul reparațiilor la componentele izolate, toate alimentările electrice trebuie decuplate de la echipamentul la care se efectuează lucrări, înainte de a scoate capacul de izolare etc. Dacă echipamentul trebuie neapărat alimentat cu electricitate în timpul efectuării lucrărilor de întreținere, atunci trebuie plasat în punctul critic un dispozitiv de detectare a scurgerilor, pentru a semnaliza orice situație potențial periculoasă.
- Trebuie acordată o atenție deosebită punctelor următoare, pentru a vă asigura că, în timpul lucrărilor la componentele electrice, cutia nu este deteriorată astfel încât să afecteze nivelul de protecție. Aceasta trebuie să includă cablurile deteriorate, un număr de bransări excesiv, bornele neconforme cu caracteristicile originale, îmbinările deteriorate, instalarea corectă a presetupelor etc.
- Asigurați-vă că aparatul este fixat corect.
- Asigurați-vă că îmbinările sau materialele izolatoare nu s-au degradat astfel încât să nu mai împiedice pătrunderea atmosferei inflamabile în circuit. Piese de schimb trebuie să fie în conformitate cu caracteristicile producătorului.

#### **Repararea componentelor intrinsec sigure**

- Nu aplicați nicio sarcină electrică inductivă sau capacitivă permanentă în circuit, fără a vă asigura că aceasta nu depășește tensiunea și intensitatea autorizate pentru echipamentul în curs de utilizare.
- Componentele sigure în mod normal sunt singurele tipuri la care se poate lucra în prezența unei atmosfere inflamabile, în timp ce sunt alimentate. Aparatul de testare trebuie să facă parte din clasa adaptată.
- Nu înlocuiți componentele decât cu piesele specificate de producător. Datorită unei scurgeri, alte piese pot aprinde agentul frigorific din atmosferă.

#### **Cablajul**

- Verificați cablajul, să nu prezinte nicio uzură, coroziune, presiune excesivă, vibrații, margini ascuțite sau orice alt efect negativ asupra mediului. Controlul trebuie să țină cont, de asemenea, de efectele îmbătrânirii sau vibrațiilor provocate continuu de surse, cum ar fi compresoarele ori ventilatoarele.

#### **Detectarea agentului refrigerant inflamabil**

- În niciun caz, nu trebuie utilizate surse potențiale de scântei pentru căutarea sau detectarea scurgerilor de agent frigorific. Nu trebuie utilizată o lampă cu halogen (sau orice alt detector care utilizează o flacără deschisă).
- Următoarele metode de detectare a scurgerilor sunt considerate acceptabile pentru toate sistemele frigorifice.
- Detectoarele de scurgeri electronice pot fi utilizate pentru a detecta scurgerile de agent frigorific, dar, în cazul unui agent frigorific inflamabil, este posibil ca sensibilitatea să nu fie adaptată sau să necesite o nouă etalonare. (Echipamentul de detecție trebuie să fie etalonat într-un mediu care nu prezintă niciun agent frigorific.) Asigurați-vă că detectorul nu este o potențială sursă de scântei și că este adaptat la agentul frigorific utilizat. Echipamentul de detecție a scurgerilor trebuie reglat la un procent al LFL-ului agentului frigorific și trebuie să fie etalonat în funcție de agentul frigorific folosit. Procentul de gaz adecvat (maximum 25 %) trebuie să fie confirmat.
- Lichidele de detectare a scurgerilor sunt, de asemenea, adaptate pentru utilizarea la majoritatea agenților frigorifici, dar utilizarea detergenților ce conțin clor trebuie evitată, întrucât aceștia ar putea

reacționa cu agentul frigorific, corodând conductele din cupru.

- Dacă se suspectează existența unei scurgeri, atunci trebuie eliminate/stinse toate flăcările deschise.
- Dacă este detectată o scurgere de agent frigorific și este necesară brazarea, tot agentul frigorific trebuie scos din sistem sau izolat (prin intermediul robinetelor de închidere) în partea din sistem care se află departe de scurgere.

#### ***Retragerea și evacuarea***

- La accesarea circuitului frigorific în vederea efectuării reparațiilor - sau din orice alt motiv - trebuie utilizate procedurile convenționale. Totuși, pentru agenții frigorifici inflamabili, este esențial să se urmeze recomandările, întrucât trebuie ținut cont de inflamabilitatea lor. Trebuie respectată procedura următoare:
  - Scoaterea agentului frigorific;
  - Purjarea circuitului cu un gaz inert (facultativă pentru A2L);
  - Evacuarea (facultativă pentru A2L);
  - Purjarea cu un gaz inert (facultativă pentru A2L);
  - Deschiderea circuitului prin tăiere sau brazare.
- Încărcătura de agent frigorific trebuie recuperată în butelii adecvate. Pentru aparatele ce conțin agenți frigorifici inflamabili, alții decât A2L, sistemul trebuie purjat cu azot fără oxigen, pentru ca aparatul să fie apt de a fi încărcat cu agenți frigorifici inflamabili. Poate fi necesar să se repete de mai multe ori aceste proceduri. Nu trebuie utilizat aer comprimat sau oxigen pentru purjarea sistemelor frigorifice.

#### ***Proceduri de încărcare***

- Asigurați-vă că ieșirea pompei de vid nu se află în apropierea unei potențiale surse de scântei și că este disponibilă o aerisire.
- Pe lângă procedurile de încărcare convenționale, trebuie respectate următoarele cerințe.
- Asigurați-vă că nu este posibilă niciun fel de contaminare între diverșii agenți frigorifici, în timpul utilizării echipamentului de încărcare. Furtunurile sau conductele trebuie să fie cât mai scurte posibil, pentru a reduce cantitatea de agent frigorific pe care o conțin.
- Buteliile trebuie menținute într-o poziție adecvată, conform instrucțiunilor.
- Asigurați-vă că sistemul frigorific este legat la pământ, înainte de a-l încărca cu agent frigorific.
- Odată efectuată încărcarea, puneți o etichetă pe sistem (dacă nu există deja).
- Fiți foarte atenți să nu umpleți prea mult sistemul frigorific.
- Înainte de reîncărcarea sistemului, trebuie efectuat un test de presiune, cu ajutorul unui gaz de purjare adecvat. La finalizarea încărcării, dar înainte de punerea în funcțiune, sistemul trebuie examinat ca să nu existe scurgeri. Trebuie efectuat un test de monitorizare a scurgerilor, înainte de a părăsi locul

#### ***Demontarea***

- Înainte de efectuarea unei proceduri de demontare, este neapărat necesar ca tehnicianul să fie bine familiarizat cu echipamentul și caracteristicile acestuia. Se recomandă în mod deosebit recuperarea integrală a agenților frigorifici. Înainte de a efectua această operație, trebuie prelevat un eșantion de ulei și agent frigorific, dacă se dovedesc a fi necesare analize, înaintea reutilizării agentului frigorific recuperat. Este neapărat necesar să verificați prezența alimentării electrice, înainte de începerea lucrării.

1. Familiarizați-vă cu echipamentul și funcționarea acestuia.
2. Izolați electric sistemul.
3. Înainte de începerea procedurii, asigurați-vă că:
  - Este disponibil un echipament de întreținere mecanică, necesar pentru manevrarea buteliilor cu agent frigorific;
  - Tot echipamentul individual de protecție este disponibil și folosit corect;
  - Procesul de recuperare este urmărit în fiecare moment de către o persoană competentă;
  - Echipamentul și buteliile de recuperare sunt conform standardelor aplicabile.
4. Evacuați sistemul frigorific, dacă este posibil.
5. Dacă nu se poate crea vid, montați un colector, pentru a putea scoate agentul frigorific din diverse locuri ale sistemului.
6. Asigurați-vă că butelia se află pe cântar, înainte de a începe operațiile de recuperare.



7. Porniți aparatul de recuperare și faceți-l să funcționeze conform instrucțiunilor.
8. Nu umpleți prea tare buteliile (nu mai mult de 80 % din volumul încărcăturii lichide).
9. Nu depășiți presiunea maximă de funcționare a buteliei, nici măcar temporar.
10. După ce buteliile sunt umplute corect și procesul este finalizat, asigurați-vă că acestea și echipamentul sunt scoase rapid de pe amplasament și că robinetele de izolare alternative, de pe echipament, sunt închise.
11. Agentul frigorific recuperat nu trebuie încărcat în alt sistem frigorific, decât după ce a fost curățat și controlat.

#### **DEPANAREA**

- Toate lucrările de brazare trebuie realizate de brazori calificați.
- Înlocuirea conductelor nu poate fi realizată decât folosind tuburi de cupru, conform standardului NF EN 12735-1.
- Detectarea scurgerilor, exemplu de testare la presiune:
  - nu utilizați niciodată oxigen sau aer uscat, pentru că există riscul de incendiu sau explozie,
  - utilizați azot deshidratat sau un amestec de azot și agent refrigerant indicat pe plăcuța cu specificații,
  - presiunea de testare pe partea de joasă și înaltă presiune nu trebuie să depășească 42 bari în cazul în care aparatul este echipat cu opțiunea manometru.
- Pentru conductele din circuitul de înaltă presiune, fabricate din tuburi de cupru cu diametrul = sau > decât 1"5/8, trebuie să solicitați furnizorului un certificat §2.1 conform normei NF EN 10204, care trebuie păstrat în dosarul tehnic al instalației.
- Informațiile tehnice privind cerințele de securitate din diferitele directive aplicabile, sunt indicate pe plăcuța cu specificații. Toate aceste informații trebuie să fie înregistrate în fișa de instalare a aparatului care trebuie să existe în dosarul tehnic al instalației: model, cod, număr de serie, TS maximă și minimă, PS, anul de fabricație, marcajul CE, adresa producătorului, lichidul frigorific și greutatea, parametrii electrici, performanțele termodinamice și acustice.

#### **ETICHETAREA**

- Echipamentul trebuie etichetat, menționând că a fost scos din funcțiune și că agentul frigorific a fost deja golit.
- Eticheta trebuie datată și semnată.
- Pentru aparatele care conțin un agent frigorific inflamabil, aveți grijă ca aceste etichete să fie puse pe echipament, indicând că acesta conține un agent frigorific inflamabil.

#### **RECUPERAREA**

- La golirea agentului frigorific, în vederea întreținerii sau scoaterii din funcțiune, se recomandă utilizarea bunelor practici pentru golirea totală a agentului frigorific, în deplină siguranță.
- La transferul agentului frigorific în butelie, aveți grijă să folosiți o butelie de recuperare adaptată pentru acesta. Nu uitați să estimați numărul total de butelii pentru recuperarea integrală a agentului frigorific. Toate buteliile utilizate trebuie să fie proiectate pentru recuperarea agentului frigorific și să fie etichetate pentru agentul frigorific respectiv. Buteliile trebuie să fie prevăzute cu o supapă de depresurizare și robinete de oprire în bună stare de funcționare. Buteliile de recuperare goale sunt evacuate și, dacă este posibil, răcite înainte de recuperare.
- Echipamentul de recuperare trebuie să fie în stare de funcționare bună, instrucțiunile de utilizare a acestuia, la îndemână, iar echipamentul adaptat la agentul frigorific respectiv, inclusiv pentru agentul frigorific inflamabil, dacă este cazul. În plus, trebuie să fie disponibil un ansamblu de cântare calibrate și în stare de funcționare bună. Conductele trebuie să fie complete, să nu prezinte scurgeri sau racorduri desprinse și să fie în stare bună. Înainte de utilizarea aparatului de recuperare, verificați dacă acesta se află în stare de funcționare bună, dacă a fost bine întreținut și dacă sunt etanșezate componentele electrice asociate, pentru a evita orice declanșare a unui incendiu, în cazul eliberării agentului frigorific. În caz de dubii, consultați producătorul.
- Agentul frigorific recuperat trebuie expediat furnizorului, în butelia de recuperare, cu o notă de transfer al deșeurilor. Nu amestecați diverse lichide frigorifice în unitățile de recuperare și, în special, în butelii.

- În cazul în care compresorul este scos sau este golit uleiul din acesta, verificați dacă agentul frigorific a fost evacuat, pentru a evita amestecarea acestuia cu lubrifianțul. Procesul de golire trebuie efectuat înainte de expedierea compresorului la furnizor. Pentru accelerarea acestui proces, se poate folosi numai încălzirea electrică a corpului compresorului. Atunci când sunt golite toate lichidele din sistem, această operație trebuie efectuată în deplină siguranță.



#### **Reciclarea**

Acest simbol cerut de Directiva europeană WEEE 2012/19/UE (Directiva privind deșeurile de echipamente electrice și electronice) înseamnă că aparatul dvs. nu trebuie eliminat ca deșeu obișnuit. El va face obiectul unei colectări selective, în vederea reutilizării, reciclării sau valorificării sale. Dacă aparatul conține substanțe potențial periculoase pentru mediu, acestea vor fi eliminate sau neutralizate. Solicitați informații de la distribuitor cu privire la modalitățile de reciclare.

# MINI HEATER

## Manual de instalare și utilizare

### INDEX

1. Specificații
2. Condiții de transport
3. Dimensiuni
4. Instalarea și conectarea
5. Cablajul electric
6. Funcționarea controlerului
7. Ghid de depanare
8. Schema explodată
9. Întreținerea
10. Accesorii

Vă mulțumim pentru că ați ales pompa de căldură pentru piscină Mini heater, pentru încălzirea apei, care vă va încălzi piscina și va menține o temperatură constantă, când temperatura mediului depășește 12 °C.



**ATENȚIE: Acest manual conține toate informațiile necesare pentru utilizarea și instalarea pompei de căldură.**

Instalatorul trebuie să citească manualul și să urmeze cu atenție instrucțiunile de utilizare, de punere în funcțiune și de siguranță aferente produsului.

Instalatorul este responsabil pentru montarea aparatului și respectarea instrucțiunilor producătorului și reglementărilor în vigoare. Nerespectarea acestui manual determină pierderea oricărei garanții.

Producătorul își declină orice responsabilitate privind daunele produse persoanelor și obiectelor, precum și privind erorile datorită instalării în condiții necorespunzătoare.

Orice utilizare în alte scopuri decât cele aflate la originea fabricării va fi considerată periculoasă.

## 1. Specificații

### 1.1 Pompă de căldură pentru piscină

Unitate	HPM20	HPM30	HPM40
Cod	71245	71258	71606
<b>* Putere de încălzire Aer 28 °C / Apă 28 °C / Umiditate 80 %</b>			
Putere furnizată (kW)	2,5	4,2	5,5
Consum (kW)	0,59	1	1,31
COP	4,2	4,2	4,2
<b>* Putere de încălzire Aer 15 °C / Apă 26 °C / Umiditate 70 %</b>			
Putere furnizată (kW)	1,9	3,2	4,2
Consum (kW)	0,56	0,91	1,2
COP	3,4	3,5	3,5
<b>* Date</b>			
Alimentare electrică (V)	220-240 V~50 Hz/1 fază		
Curent nominal (A)	2,6	4,4	5,8
Disjunctoare prevăzute (A)	7,5	10	16
Volum maxim recomandat al piscinei** (m <sup>3</sup> )	< 20	< 30	< 40
Debitul de apă minim și recomandat (m <sup>3</sup> /h)	2	2	2,5
Presiune de funcționare maximă/minimă (MPa)	4,2/0,05		
Presiunea apei (kPa)	15	15	15
Schimbător de căldură	Tuburi din titan, corp din PVC		
Clasa de protecție	IPX4		
Diametru intrare-ieșire (mm)	38/32		
Nivel de zgomot la 10 m, dB(A)	48	46	46
Nivel de zgomot la 1 m, dB(A)	57	55	55
Gaz refrigerant R32 (g)	160	290	400
<b>* Dimensiuni și greutate</b>			
Greutate netă (kg)	18	26	30
Greutate brută (kg)	19	28,5	33
Dimensiuni (mm)	313*364,5*428,5	435*436,5*511,5	515*487*541,5
Dimensiuni ambalaj (mm)	380*455*500	496*525*575	570*570*605

\* Datele de mai sus sunt supuse modificărilor, fără preaviz.

\*\* Pentru mai multe detalii, consultați ambalajul sau site-ul nostru web.

## 2. Condiții de transport

### 2.1 Instrucțiuni privind livrarea coletelor



Pentru transport, pompa de căldură este fixată în fabrică pe un palet și apoi protejată cu carton. Pentru a evita deteriorările, pompa de căldură trebuie să fie transportată **ambalată pe paletul ei**.

Chiar dacă transportul este în sarcina furnizorului, orice echipament poate fi deteriorat în timpul livrării către client, destinatarul având responsabilitatea de a se asigura de conformitatea livrării. Destinatarul trebuie să-și exprime, în scris, rezervele la recepție, pe borderoul de livrare al transportatorului, în cazul în care constată degradări ale ambalajului. **NU UITAȚI SĂ CONFIRMAȚI PRIN SCRISOARE RECOMANDATĂ CĂTRE TRANSPORTATOR, ÎN TERMEN DE 48 ORE.**

### 2.2 Instrucțiuni privind depozitarea



Pompa de căldură trebuie **depozitată și deplasată în poziție verticală**, în ambalajul său original. Dacă nu aceasta este situația, nu poate fi pusă în funcțiune imediat. Va fi necesară o întârziere de minimum 24 ore, înainte de punerea produsului sub tensiune.

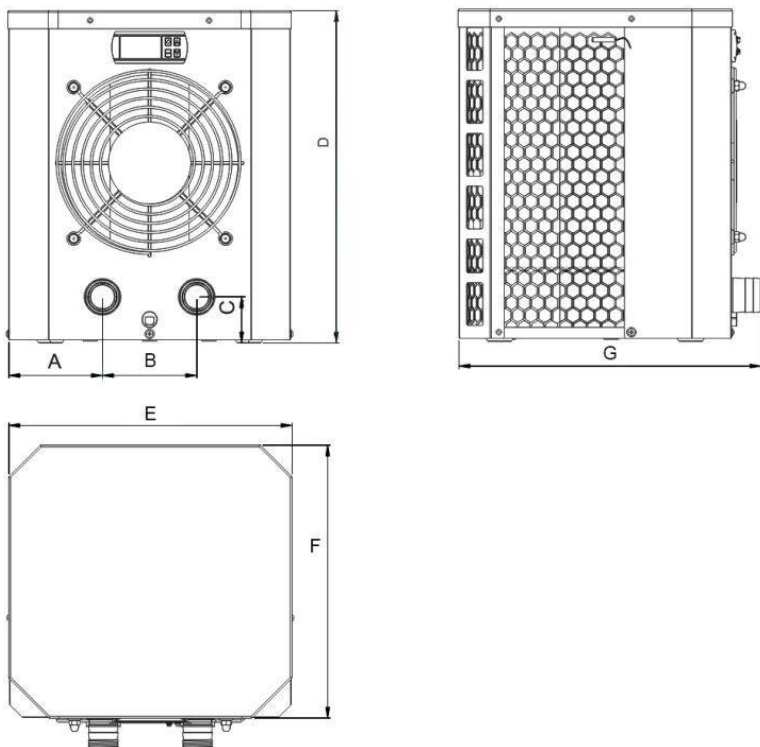
#### INTERDICȚIE



### 2.3 Instrucțiuni privind transferul pompei de căldură pe amplasamentul ei final

La despachetarea produsului și la transferul de pe paletul original pe amplasamentul final, pompa de căldură trebuie menținută în poziție verticală. Racordurile hidraulice nu sunt concepute pentru a asigura funcția mânerului de ridicare, ci din contră: **solicitarea ieșirilor și a intrărilor racordurilor hidraulice cu toată greutatea pompei poate deteriora definitiv produsul. În acest caz, fabricantul nu răspunde în cazul ruperii.**

### 3. Dimensiuni



Element/(mm)	A	B	C	D	E	F	G
<b>HPM20</b>	90,4	130	50	428,5	313	300	364,5
<b>HPM30</b>	116,5	200	50	511,5	435	365	436,5
<b>HPM40</b>	134,6	260	50	541,5	515	421	487

## 4. Instalarea și conectarea

### **Atenție:**

Înainte de instalare, vă rugăm să luați la cunoștință indicațiile de mai jos:

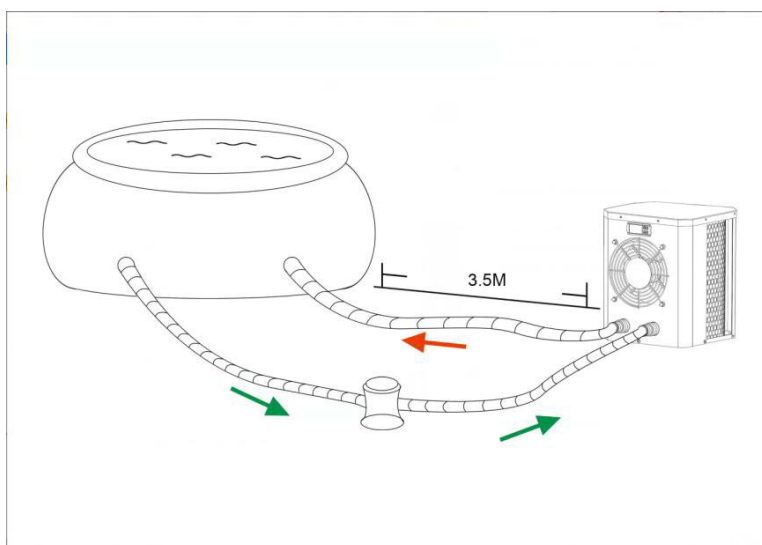
1. Toate produsele care conțin substanțe chimice lichide trebuie instalate în aval de pompa de căldură pentru piscină.
2. Întotdeauna mențineți în poziție verticală pompa de căldură pentru piscină. Dacă aparatul a fost înclinat în timpul transportului, așteptați cel puțin 24 ore, înainte de a porni pompa de căldură.

### 4.1 Poziționarea pompei de căldură pentru piscină

Aparatul poate fi instalat aproape oriunde în exterior, cu condiția să fie îndepliniți trei factori:

#### 1. O ventilație bună - 2. O alimentare electrică stabilă și fiabilă - 3. Un sistem de reciclare a apei

Unitatea poate fi instalată în orice loc de afară, cu condiția să se respecte distanțele minime indicate pe schemă (mai jos). Pentru instalarea în interior, solicitați sfatul instalatorului. Instalarea într-un loc cu vânt nu pune nicio problemă, exceptând cazul în care, în apropiere, se află un încălzitor cu gaz (riscuri datorate flăcărilor).



**ATENȚIE:** Unitatea nu trebuie să fie instalată într-o zonă în care ventilația aerului este limitată sau în locuri în care nu se poate furniza aer în mod continuu; asigurați-vă că intrarea aerului nu poate fi obstrucționată în nicio situație. Frunzele și alte resturi se pot lipi de evaporator, ceea ce îi va reduce eficiența și afecta durata de viață.

### 4.2 Punerea în funcțiune inițială a unității

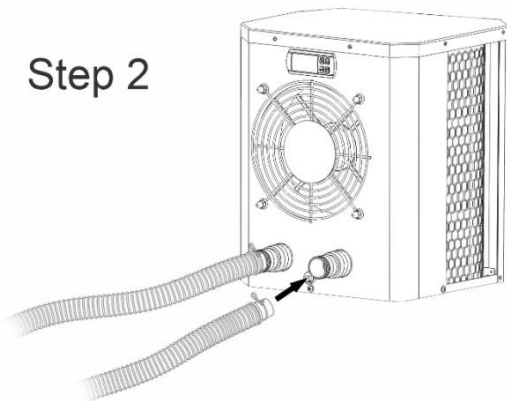
**Notă:** Pentru încălzirea apei din piscină (sau spa), pompa de filtrare trebuie să fie în funcțiune, astfel încât să facă apa să circule prin pompa de căldură. Dacă apa nu curge, pompa de căldură va declanșa protecția contra supraîncălzirii și se va opri.

### 4.3 Racordarea conductelor

Step 1



Step 2



**Notă:**

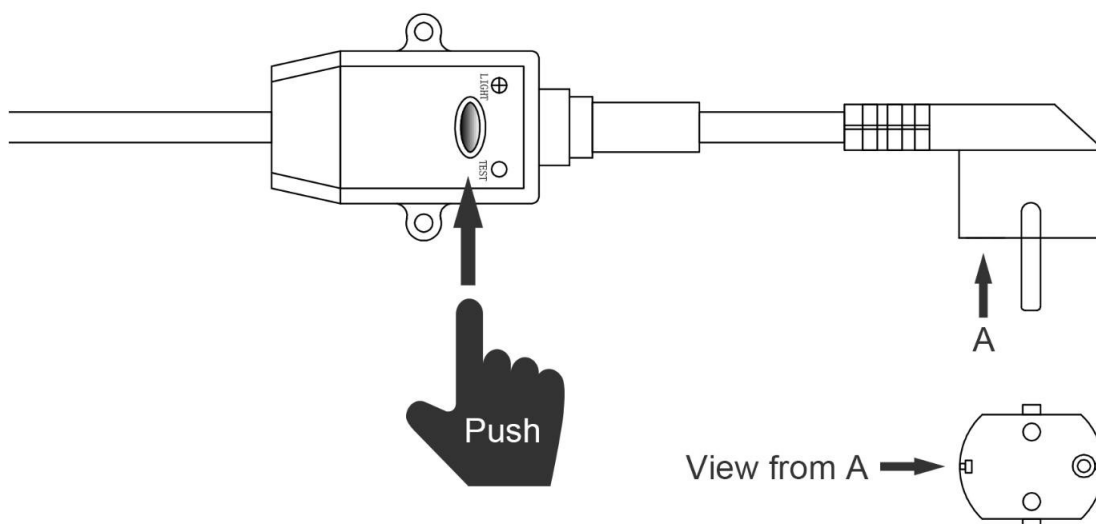
Este furnizată numai pompa de căldură. Toate celelalte elemente, inclusiv conductele, trebuie să fie furnizate de către utilizator sau instalator.

### 4.4 Branșamentul electric

Înainte de racordarea aparatului, verificați dacă tensiunea de alimentare corespunde celei de funcționare a pompei de căldură.

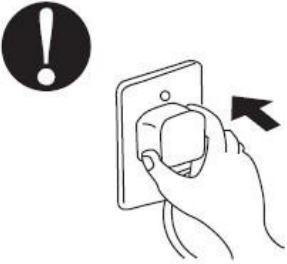
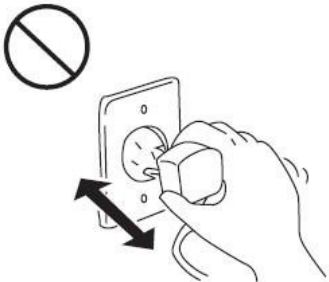
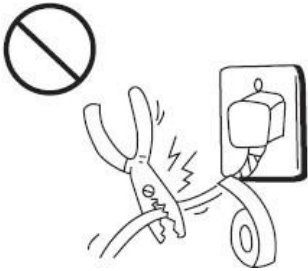
Priza RCD este furnizată cu un cablu de alimentare, ce asigură protecția electrică.

Butonul de testare servește la verificarea capacității disjuncteurului.





### **Atentie:**

<p><b>Asigurați-vă că priza electrică este conformă</b></p> <p>Dacă priza nu a fost bine conectată, riscați o descărcare electrică, o încălzire și apare riscul de incendiu.</p> 	<p><b>Niciodată nu decuplați priza electrică în timpul funcționării pompei de căldură</b></p> <p>În caz contrar, riscați o descărcare electrică sau un incendiu, ca urmare a supraîncălzirii.</p> 	<p><b>Niciodată nu folosiți cabluri electrice deteriorate sau necorespunzătoare pentru utilizarea respectivă</b></p> <p>În caz contrar, puteți provoca o descărcare electrică, încălzire și un risc de incendiu.</p> 
--	--	--

O dată ce au fost efectuate toate conexiunile, vă rugăm să urmați aceste etape:

- (1) Porniți pompa de filtrare, verificați absența scurgerilor de apă și debitul la nivelul piscinei.
- (2) Activați alimentarea electrică a aparatului, apoi apăsați pe tasta ON/OFF a controlerului.
- (3) După o funcționare de câteva minute, asigurați-vă că aerul ventilat este rece.
- (4) Atunci când dezactivați pompa de filtrare, unitatea trebuie, de asemenea, dezactivată automat, în caz contrar vă rugăm să verificați comutatorul de debit.

În funcție de temperatura inițială a apei din piscină și de cea a aerului, este necesar ca instalația să funcționeze câteva zile, pentru a încălzi apa la temperatura dorită.

O protecție bună a piscinei (acoperire, prelată solară) poate reduce considerabil durata necesară.

### **Temporizarea:**

Unitatea este prevăzută cu o protecție integrată, pentru repornirea temporizată cu 3 minute. Temporizarea face parte integrantă din circuitul de comandă și protecție al compresorului.

Funcția de temporizare interzice orice repornire automată a aparatului (timp de circa 3 minute), după fiecare întrerupere a circuitului de comandă. Chiar și o întrerupere scurtă a curentului activează temporizarea de 3 minute și împiedică repornirea aparatului, până când numărătoarea inversă a celor 3 minute se încheie.

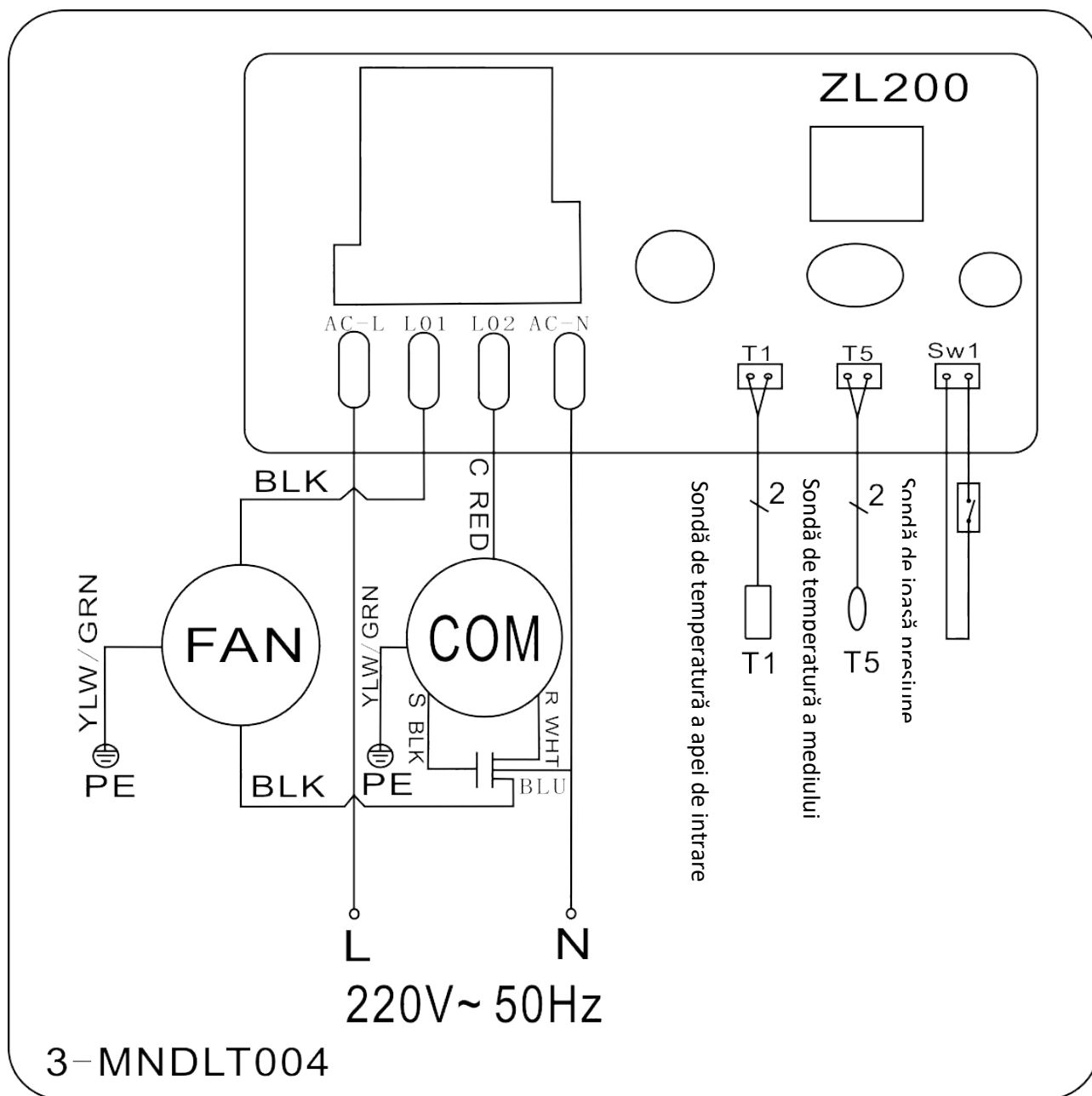
### **4.5 Condensarea**

Aerul aspirat în pompa de căldură este răcit puternic datorită funcționării acesteia, pentru a încălzi apa din piscină, ceea ce poate produce condensarea pe aripioarele evaporatorului. Nivelul condensului poate fi de câțiva litri pe oră, la o umiditate relativă ridicată. Aceasta este considerată uneori, în mod eronat, ca o scurgere de apă.

## 5. Cablajul electric

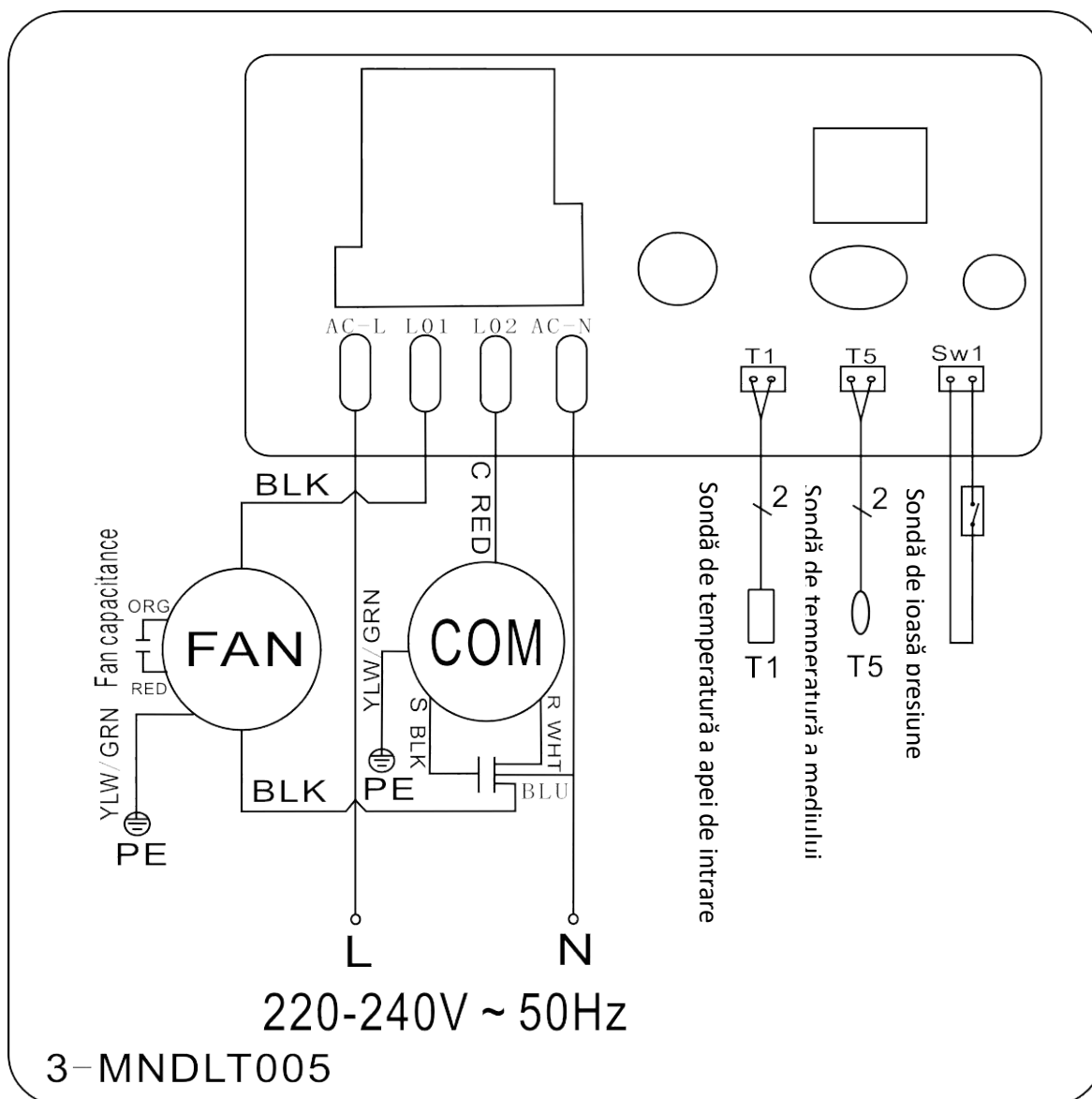
### 5.1 Schema de cablare a pompei de căldură pentru piscină

HPM20



## 5.2 Schema de cablare a pompei de căldură pentru piscină

HPM30/HPM40



### NOTĂ:

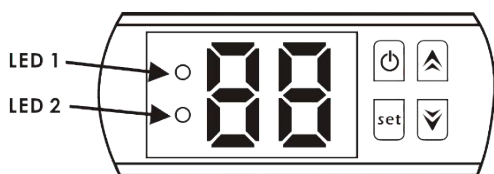
(1) Schema cablajului electric de mai sus este valabilă numai ca referință, vă rugăm să utilizați schema de cablare afișată pe aparat.

(2) Pompa de căldură pentru piscină trebuie să fie bine racordată la împământare, pentru ca schimbătorul de căldură să fie izolat electric de restul unității. Împământarea unității este întotdeauna necesară pentru a vă proteja contra eventualelor scurtcircuite ale unității.

**Întreprupătorul:** Un mijloc de întrerupere a alimentării electrice (disjunctor, întrerupător cu siguranțe fuzibile) trebuie să fie la vedere și ușor accesibil din unitate. Aceasta este o practică de siguranță curentă pentru pompele de căldură rezidențiale și comerciale. Permite scoaterea de sub tensiune de la distanță a echipamentului, fără monitorizare și, de asemenea, izolarea alimentării unității, în timp ce aparatul este reparat.

## 6. Funcționarea controlerului

### 6.1 Funcțiile panoului de comandă cu LED-uri





Când pompa de căldură este în curs de funcționare, ecranul cu LED-uri va afișa temperatura apei la intrare.

Când pompa de căldură funcționează, LED-ul 1 se aprinde.



Când pompa de căldură este defectă, LED-ul 2 se aprinde.

### 6.2 Pornirea sau oprirea pompei de căldură

Apăsați pe  pentru a porni pompa de căldură și ecranul va afișa temperatura dorită a apei, timp de 5 secunde, apoi temperatura apei la intrare.

Apăsați pe  pentru a opri pompa de căldură.





### 6.3 Reglarea temperaturii apei:

Apăsați pe  și pe  pentru a selecta temperatura dorită (valoare: 10-42 °C)

Apăsați pe  și pe  pentru a salva valoarea selectată.

NOTĂ: Atenție, pompa de căldură nu funcționează decât dacă sistemul de filtrare este în funcțiune.

### 6.4 Cum se verifică parametrii?

În modul veghe sau funcționare, apăsați pe  , apoi pe  ori pe  , pentru a alege parametrul d0 sau d1, apăsați pe  , pentru a selecta și afișa valoarea.

Parametru	Parametru
d0	Temperatura mediului
d1	Temperatura apei

Notă: Valorile nu pot fi modificate de către utilizatori.

## 7. Ghid de depanare

### 7.1 Codul de eroare afișat pe panoul de comandă

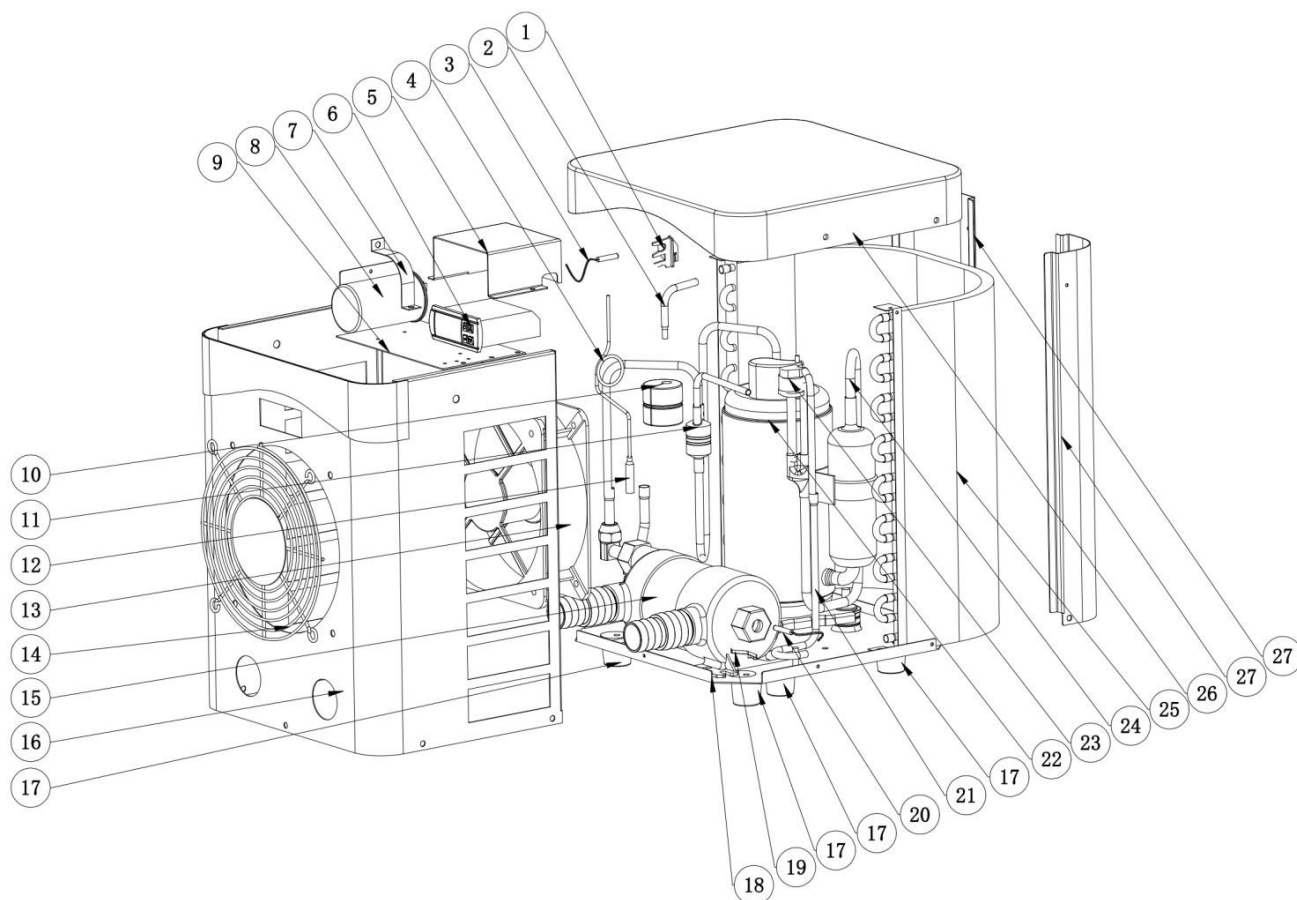
Disfuncționalitate	Cod de eroare	Motiv	Soluție
Protecția contra temperaturii prea scăzute a mediului	P0	1. Temperatura mediului este sub 12 °C 2. Pană a controlerului.	1. Așteptați ca temperatura mediului să se ridice la 13 °C. 2. Înlocuiți controlerul.
Defectarea senzorului de temperatură a apei	P1	Senzorul de temperatură a apei are circuitul deschis sau este scurtcircuitat.	Înlocuiți senzorul de temperatură a apei.
Senzor de temperatură a mediului	P2	Senzorul de temperatură a mediului are circuitul deschis sau este scurtcircuitat.	Înlocuiți senzorul de temperatură a mediului.
Protecția de joasă presiune	EL	1. Întrerupător de joasă presiune deconectat sau defect 2. Scurgere de gaz.	Apelați la un tehnician abilitat ca să intervină la circuitul de gaz.

## 7.2 Alte disfuncționalități și soluții (neafișate pe controlerul cu LED-uri)

Disfuncționalități	Observații	Motive	Soluție
Pompa de căldură nu funcționează	Niciun afișaj pe controlerul cu LED-uri	Lipsă alimentare.	Verificați disjunctorul și racordarea electrică
	Controlerul cu LED-uri afișează temperatura reală a apei.	1. Temperatura apei atinge valoarea fixată, pompa de căldură este oprită și în stare de veghe. 2. Pompa de căldură abia începe să funcționeze (3 minute)	1. Verificați reglajul temperaturii apei. 2. Așteptați câteva minute repornirea pompei de căldură.
Funcționare scurtă	Controlerul cu LED-uri afișează temperatura reală a apei, nu este afișat niciun cod de eroare	1. Ventilatorul nu funcționează 2. Ventilația aerului nu este suficientă 3. Agentul frigorific nu este suficient.	1. Verificați conexiunile cablurilor dintre motor și ventilator; în funcție de caz, poate fi necesară înlocuirea. 2. Verificați amplasarea unității pompei de căldură și eliminați toate obstacolele, pentru ca ventilarea să fie bună. 3. Înlocuiți sau reparați pompa de căldură
Pete de apă	Scurgeri de apă sub pompa de căldură	1. Condens provenit de la evaporatorul în funcțiune. 2. Infiltrare de apă	1. Nicio acțiune, pompa de căldură funcționează normal. 2. Verificați dacă există vreo scurgere la schimbătorul de căldură din titan.

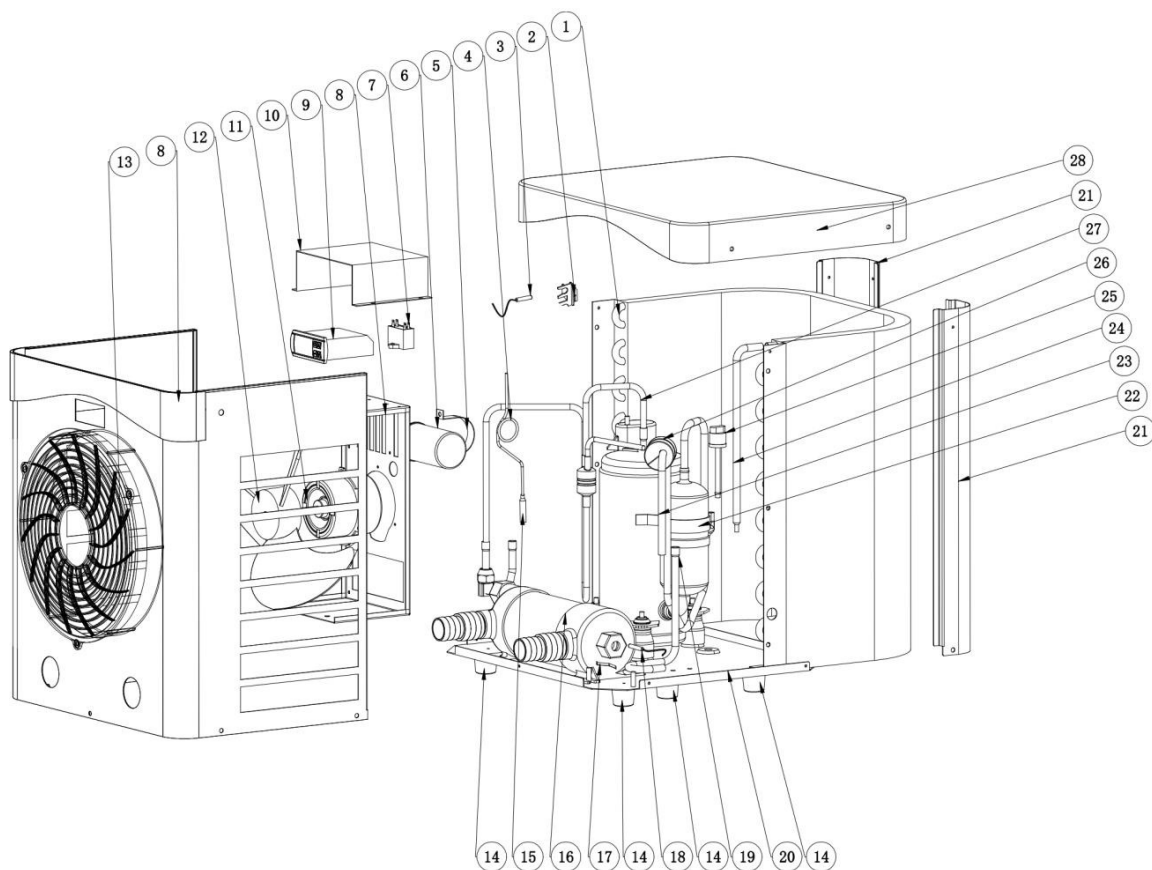
## 8. Schema explodată

Unitate: HPM20



Nr.	Denumire	HPM20	Nr.	Denumire	HPM20
1	Clema senzorului de	102040891	15	Schimbător de căldură din titan	102040891
2	Tub de gaz	108680047	16	Panou față	108680047
3	Sondă de temperatură T5	136020168	17	Picioare din cauciuc	136020168
4	Capilar	108680045	18	Bază	108680045
5	Dulap electric	108010025	19	Agrafă	108010025
6	Controler	117110068	20	Senzor temperatură apă T1	117110068
7	Clemă de fixare	113050123	21	Colector din cupru	113050123
8	Condensator compresor	101000233	22	Compresor	101000233
9	Panou superior ventilator	116000091	23	Minipresostat de joasă presiune	116000091
10	Ciocan din cauciuc	113010300	24	Tub de gaz	113010300
11	Tub de retur gaz	103000236	25	Evaporator	103000236
12	Tub de gaz	133400001	26	Panou superior	133400001
13	Suport ventilator	108680046	27	Pilon stânga spate	108680046
14	Grilă de protecție ventilator				

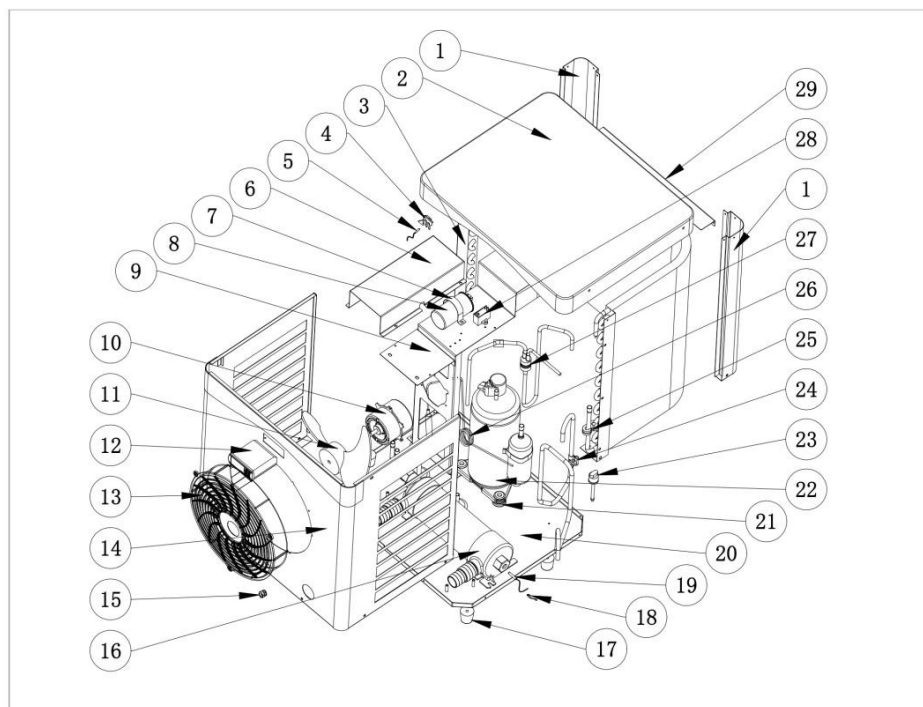
**Unitate: HPM30**



Nr.	Denumire	HPM30	Nr.	Denumire	HPM30
1	Evaporator	103000237	15	Tub de gaz	113100027
2	Clema senzorului de temperatură	133020010	16	Schimbător din titan	102040900
3	Sondă de temperatură a mediului	117110079	17	Agrafă	108010025
4	Capilar	109000038	18	Sondă de temperatură apă de intrare T1	117110068
5	Clemă de fixare	108010006	19	Tub de gaz	113050125
6	Condensator compresor	111000011	20	Bază	108690033
7	Condensator ventilator	111000034	21	Pilon stânga spate	108690048
8	Panou față	108690047	22	Compresor	101000232
9	Controler	117020189	23	Tub de gaz	113020467
10	Dulap electric	108690015	24	Tub de gaz	113420129
11	Motor ventilator	112000054	25	Sondă de joasă presiune	116000091
12	Ventilator	132000024	26	Ciocan din cauciuc	136020026
13	Grilă de protecție ventilator	133020052	27	Tub de gaz	113010351
14	Picioare din cauciuc	136020168	28	Panou superior	133330004



## Unitate: HPM40



Nr .	Denumire	HPM40	Nr .	Denumire	HPM40
1	Pilon stânga spate	108950009	16	Schimbător din titan	117020363
2	Panou superior	133440001	17	Picioare din cauciuc	136020168
3	Evaporator	103000343	18	Clema senzorului de temperatură a	108010025
4	Clemă de fixare a sondei	133020010	19	Sondă de temperatură a apei de intrare T1	117110068
5	Sondă de temperatură la intrarea apei T1	117110068	20	Bază	108950007
6	Dulap electric	108950006	21	Picioarele din cauciuc ale	101000241
7	Clemă de fixare	108010006	22	Compresor	101000241
8	Condensator compresor	111000012	23	Sondă de joasă presiune	116000091
9	Suport motor ventilator	108950010	24	Tub de gaz	113020602
10	Motor ventilator	112000079	25	Controler	136020018
11	Ventilator	132000024	26	Capilar	109000038
12	Controler	117020302	27	Tub de gaz	113020624
13	Grilă de protecție ventilator	133020052	28	Condensator ventilator	111000034
14	Panou față	108950008	29	Placă de sprijin a suportului	108950011
15	Trecere cablu	142000126	30	Picioarele din cauciuc ale	101000241

## 9. Întreținerea

(1) Trebuie să verificați regulat circuitul de apă, pentru a evita pătrunderea aerului în conducte și prezența unui debit prea slab, deoarece aceasta va reduce performanțele și fiabilitatea pompei de căldură.


(2) Curățați regulat piscina și sistemul de filtrare.

(3) Întotdeauna aveți grijă să goliți apa din pompa de căldură pe timpul iernii sau când temperatura mediului scade sub 0 °C, în caz contrar schimbătorul din titan va fi deteriorat din cauza înghețului; în acest caz, garanția va fi pierdută.

(4) Umpleți complet sistemul cu apă, înainte de a pune din nou în funcțiune unitatea.

(5) Când unitatea este în funcțiune, va exista întotdeauna puțin condens, care se descarcă dedesubt.

## 10. Accesorii

 <p>Set de golire, 1 buc.</p>	 <p>Conductă de evacuare a apei, 1 buc.</p>
--	---

## **RO - CERTIFICAT DE GARANȚIE**

### **1 ASPECTE GENERALE**

**4.6** Conform acestor prevederi, vânzătorul garantează că produsul corespunzător acestei garanții („Produsul”) nu prezintă niciun defect de conformitate, la data livrării.

**4.7** Perioada de garanție pentru Produs este de doi (2) ani, calculată din momentul înmânării sale cumpărătorului.

**4.8** Dacă are loc un defect de conformitate al Produsului și dacă cumpărătorul anunță vânzătorul în Perioada de garanție, atunci acesta trebuie să repare sau să înlocuiască Produsul, pe cheltuiala sa, în locul pe care-l va considera potrivit, exceptând cazul în care așa ceva este imposibil sau disproporționat.

**4.9** În cazul în care Produsul nu poate fi nici reparat, nici înlocuit, cumpărătorul va putea cere o reducere proporțională a prețului sau, dacă defectul de conformitate este destul de important, rezilierea contractului de vânzare.

**4.10** Piesele înlocuite sau reparate în virtutea acestei garanții nu vor prelungi termenul de garanție a Produsului original, acestea fiind, totuși, acoperite de propria garanție.

**4.11** Pentru ca prezenta garanție să aibă efect, cumpărătorul va trebui să prezinte documentele privind data achiziționării și livrării Produsului.

**4.12** În situația în care au trecut mai mult de șase luni de la livrarea Produsului către cumpărător, iar acesta va reclama un defect de conformitate al lui, cumpărătorul va trebui să justifice originea și existența presupusului defect.

**4.13** Prezentul Certificat de garanție nu limitează și nici nu prejudiciază drepturile consumatorilor, în virtutea standardelor naționale de natură imperativă.

### **2 CONDIȚII PARTICULARE**



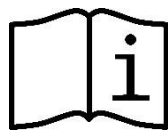
- Prezenta garanție acoperă produsele la care se referă acest manual.
- Prezentul Certificat de garanție nu este aplicabil decât în țările din Uniunea Europeană.
- Pentru ca această garanție să aibă efect, cumpărătorul trebuie să urmeze strict indicațiile Fabricantului, cuprinse în documentația anexată Produsului și aplicabile în funcție de gama și modelul acestuia.
- În cazul în care va fi specificat un calendar pentru înlocuirea, întreținerea sau curățarea anumitor piese ori componente ale Produsului, garanția va fi valabilă numai în cazul în care calendarul respectiv a fost respectat corect.

### **3 LIMITĂRI**

- Prezenta garanție nu este aplicabilă decât pentru vânzările efectuate către consumatori, considerând drept „consumator” orice persoană care achiziționează Produsul în scopuri care nu se încadrează în activitatea sa profesională.
- Nu se acordă nicio garanție cu privire la uzura normală, datorată utilizării produsului. În ceea ce privește piesele, componentele și/sau materialele fungibile sau consumabile, cum ar fi bateriile, becurile etc., trebuie respectat, în funcție de caz, ceea ce este stipulat în documentația anexată Produsului.
- Garanția nu acoperă cazurile în care Produsul: (I) a făcut obiectul unei tratări incorecte; (II) a fost reparat, întreținut sau manevrat de o persoană neautorizată ori (III) a fost reparat sau întreținut cu piese care nu sunt originale. Când defectul de conformitate al Produsului este urmarea unei instalări sau puneri în funcțiune incorecte, prezenta garanție este valabilă numai în cazul în care acea instalare ori punere în funcțiune a fost inclusă în contractul de vânzare-cumpărare a Produsului și efectuată de vânzător, sau pe răspunderea lui.



## FIGYELMEZTETÉSEK

	Ez a szimbólum azt jelzi, hogy bővebb információ érhető el a Használati útmutatóban vagy a Telepítési útmutatóban.		Ez a szimbólum azt jelzi, hogy a készülék R32 folyadékot használ, ami lassú égésű hűtőközeg.
	Ez a szimbólum azt jelzi, hogy a Használati útmutatót figyelmesen el kell olvasni.		Ez a szimbólum azt jelzi, hogy a karbantartó technikusnak a Telepítési útmutatónak megfelelően kell kezelnie ezt a készüléket.

### ÁLTALÁNOS FIGYELMEZTETÉSEK

- A figyelmeztetések figyelmen kívül hagyása károkat okozhat a medence felszerelésében vagy súlyos, akár halálos kimenetelű sérülésekhez vezethet.
- Csak az érintett műszaki területeken (elektromosság, hidraulika vagy hűtés) képesítéssel rendelkező személy jogosult a készülék karbantartásának vagy javításának elvégzésére. A beavatkozást végző szakképzett technikusnak egyéni védőeszközöket (úgy mint védőszemüveg, védőkesztyű stb.) kell viselnie, hogy csökkentse a sérülések kockázatát, amelyek előfordulhatnak a készüléken végzett beavatkozás során.
- A készüléken végzett bármely beavatkozás előtt, győződjön meg róla, hogy feszültségmentes, és biztonságosan leállított állapotban van.

Tilos a készülék használata olyan személyek által (beleértve a gyerekeket is), akiknek fizikai, érzékelési vagy szellemi képességeik korlátozottak, valamint olyan személyek által, akik nem rendelkeznek a készülék használatára vonatkozó gyakorlattal vagy ismeretekkel. Kivételt képeznek azok a személyek, akik egy biztonságukért felelős személy által vannak felügyelve, vagy akikkel ez a személy előzetesen ismertette a készülék használatára vonatkozó utasításokat. Ajánlott a gyerekek felügyelete, annak biztosítása érdekében, hogy ne játsszanak a készülékkel.

- Ezt a készüléket használhatják legalább 8 éves gyermekek, valamint korlátozott fizikai, szenzoros vagy mentális képességekkel, illetve tapasztalatok vagy ismeretek híján lévő személyek, amennyiben biztosított a megfelelő felügyeletük, vagy ha megfelelő utasításokat kaptak a készülék biztonságos használatára vonatkozóan, és felfogták a fennálló kockázatokat. A felhasználó általi tisztítást és karbantartást felügyelet nélkül nem végezhetik gyermekek.
- A készülék beszerelését a gyártó utasításainak megfelelően kell végezni, betartva az érvényben lévő helyi és nemzeti előírásokat. A beszerelő felel a készülék beszereléséért és a beszerelésre vonatkozó nemzeti szabályozás betartásáért. A gyártó semmilyen körülmények között nem vállal felelősséget a hatályos helyi beszerelési normák be nem tartása esetén.
- Az útmutatóban leírt egyszerű karbantartáson kívüli minden egyéb karbantartási műveletet a terméken kizárólag minősített szakember végezhet.
- Minden helytelen beszerelés és/vagy használat vagyoni károkat vagy súlyos (akár halálos kimenetelű) testi sérüléseket vonhat maga után.
- A készülék rendellenes működése esetén: ne kísérelje meg a készülék javítását saját kezűleg, hanem forduljon képesítéssel rendelkező szakemberhez.
- A készülékbe épített biztonsági elemek egyikének kikapcsolása, eltávolítása vagy megkerülése a garancia automatikus elvesztésével jár, ugyanez vonatkozik az engedély nélküli, harmadik gyártótól származó pótalkatrész használatára.
- Tilos a készülék környezetében (akár gyúlékony, akár nem gyúlékony) rovarirtót vagy egyéb vegyszert permetezni, kárt tehet a készülék burkolatában és tüzet okozhat.
- Ne érintse meg a ventilátort és a mozgó alkatrészeket, és ne helyezzen semmilyen tárgyat vagy az ujjait a mozgó

alkatrészek közelébe a berendezés működése közben. A mozgó alkatrészek súlyos vagy akár a halálos sérüléseket okozhatnak.

#### **FIGYELMEZTETÉSEK AZ ELEKTROMOS KÉSZÜLÉKEKHEZ**

- A készülék áramellátását egy erre tervezett 30 mA-es maradékáram-működtetésű áramvédő-kapcsolóval kell védeni, a beszerelés helye szerinti ország hatályos normáinak betartásával.
- Ne használjon hosszabbító kábelt a készülék csatlakoztatásához; csatlakoztassa a készüléket közvetlenül egy megfelelő tápellátó áramkörhöz.
- Minden művelet előtt ellenőrizze, hogy:
  - a készülék adattábláján jelzett feszültség megfelel-e a hálózati feszültségnek;
  - az energiahálózat megfelel-e a készülék használatának, és rendelkezik-e földeléssel;
  - A hálózati kábel dugója megfelel az elektromos csatlakozóaljzatnak.
- Működés közben a készüléket tilos kikapcsolni és újra bekapcsolni.
- Ne a tápkábelt kihúzza kapcsolja ki.
- Ha a tápkábel megrongálódott, a biztonság érdekében kötelező kicseréltetni a gyártóval, annak műszaki technikájával vagy egy minősített szakemberrel.
- Ne végezzen javítást vagy karbantartást a készüléken nedves kézzel, vagy ha a készülék nedves.
- Mielőtt csatlakoztatná az készüléket a tápellátáshoz, ellenőrizze, hogy a csatlakozóblok vagy a tápcsatlakozóaljzat, amelyhez az egység csatlakozik, jó állapotban van, és nem sérült vagy rozsdás.
- Vihar esetén kapcsolja ki a készüléket, hogy elkerülje a villámcsapás okozta károsodást.
- A készüléket ne tegye vízbe vagy sárba, a megszakítót tartsa távol a víztől.

#### **FIGYELMEZTETÉSEK AZ R32 HŰTŐKÖZEGET TARTALMAZÓ KÉSZÜLÉKEKKEL KAPCSOLATBAN**

- Az R32 hűtőközeg A2L kategóriájú hűtőközeg, amely potenciálisan gyúlékonynak tekinthető.
- Ne engedje ki az R32 közeget a légkörbe. Ez a közeg egy üvegházhatású fluortartalmú gáz, amelyre a Kiotói Jegyzőkönyv vonatkozik, a globális felmelegedési potenciálja (GWP) = 675 (517/2014/EU európai jogszabály).
- Az egységet kültéren telepítse. Ne telepítse az egységet beltérbe vagy zárt, a szabadba nem szellőztetett helyiségbe.
- A készüléket folyamatos üzemű gyújtóforrást (például nyílt láng, üzemelő gázkészülék vagy működő elektromos fűtés) nem tartalmazó helyiségben kell tárolni .
- Ne fúrja ki és ne égesse el.
- Ne feledje, hogy az R32 hűtőközeg jellegzetes szagot bocsáthat ki.
- Annak érdekében, hogy megfeleljen a vonatkozó környezetvédelmi és telepítési szabványoknak és előírásoknak, különösen a 2015-1790 sz. rendeletnek és/vagy az 517/2014/EU európai jogszabálynak, legalább évente egyszer szivárgási vizsgálatot kell végezni a hűtőkörön. Ezt a műveletet tanúsítással rendelkező hűtőberendezés-szakembernek kell elvégeznie.
- A kijelzőt legyen szíves száraz helyen tartani vagy lezárni a fedelét, hogy a nedvesség ne károsítsa a kijelzőt.

#### **KARBANTARTÁS: FIGYELMEZTETÉSEK AZ R32 HŰTŐKÖZEGET TARTALMAZÓ KÉSZÜLÉKEKKEL KAPCSOLATBAN**

- A berendezés karbantartási fázisában ellenőrizni kell a hőcserélő közeg összetételét és állapotát, valamint a hűtőközeg nyomainak hiányát.
- A berendezés tömítettségének éves ellenőrzése során, az érvényben lévő törvényi előírásoknak megfelelően, győződjön meg arról, hogy a magas és alacsony nyomású nyomáskapcsolók megfelelően csatlakoznak-e a hűtőkörhöz, és kioldódás esetén megszakítják-e az elektromos áramkört.
- A karbantartási fázisban ellenőrizze, hogy nincsenek-e korróziós nyomok vagy olajfoltok a hűtőrendszer összetevői környékén.
- Ne végezzünk forrasztást, sem pedig hegesztést, ha hűtőközeg van a gép belsejében. Ne használja a gázt zárt térben.

#### ***A terület ellenőrzése***

- A gyúlékony hűtőközeget tartalmazó rendszereken végzett munkálatok megkezdése előtt biztonsági

ellenőrzések szükségesek a szikraképződés kockázatának csökkentése érdekében.

### ***Munkafolyamat***

- A munkálatokat ellenőrzött eljárás szerint kell elvégezni, hogy csökkentse a gyúlékony gáz vagy gőz kibocsátásának kockázatát a munkavégzés során.
- A hűtőkörön végzett minden beavatkozás előtt feltétlenül állítsa le a berendezést és várjon néhány percet, mielőtt a hőmérséklet- vagy nyomásérzékelőket elhelyezi, bizonyos berendezések esetén, mint a kompresszor és a csővezetékek, 100°C feletti hőmérsékletek és magas nyomások fordulhatnak elő, ami súlyos égési sérüléseket okozhat.

### ***Általános munkaterület***

- A teljes karbantartó személyzetet és a közvetlen környezetben dolgozó minden személyt tájékoztatni kell a végzett munkálatokról. A zárt térben végzett munkálatokat el kell kerülni.

### ***A hűtőközeg jelenlétének ellenőrzése***

- A területet a munkavégzés előtt és alatt megfelelő hűtőközeg-érzékelővel kell ellenőrizni, hogy a technikus értesüljön a potenciálisan mérgező vagy gyúlékony légkör jelenlétéről. Győződjön meg róla, hogy az alkalmazott szivárgásérzékelő berendezés megfelel az összes érintett hűtőközeggel történő használatra, azaz nem okoz szikrát, megfelelően szigetelt és tökéletesen biztonságos.

### ***Tűzoltókészülék jelenléte***

- Ha a hűtőberendezésen vagy bármely kapcsolódó alkatrészen bizonyos hőmérsékletemelkedéssel járó munkát kell végezni, a megfelelő tűzoltó készüléknek elérhetőnek kell lennie. Helyezzen el egy porral oltó vagy CO2 tűzoltó készüléket a munkaterület közelében.

### ***Szikraforrás hiánya***

- A hűtőberendezéseken munkát végző és a csővezetékek közelében tevékenykedő személyek nem használhatnak semmilyen szikraforrást, amely tűz- vagy robbanásveszélyt okozhat. Minden lehetséges szikraforrást, beleértve a cigarettát is, biztonságos távolságban kell tartani a telepítés, javítás, eltávolítás vagy ártalmatlanítás helyétől, amikor potenciálisan hűtőközeg juthat ki a környezetbe. A munkálatokat megelőzően meg kell vizsgálni a berendezés környékét annak biztosítása érdekében, hogy ne álljon fenn tűz vagy szikraképződés veszélye. El kell helyezni „Tilos a dohányzás” táblákat.

### ***A terület szellőzése***

- Mielőtt bármilyen karbantartás elvégzése érdekében hozzáférne az egységhez, győződjön meg arról, hogy a terület nyitott és jól szellőző. A berendezés karbantartása során megfelelő szellőzést kell biztosítani, amely lehetővé teszi a légkörbe esetlegesen kibocsátott hűtőközeg biztonságos szétszóródását.

### ***A hűtőberendezés ellenőrzése***

- A gyártó javítási és karbantartási ajánlásait mindig be kell tartani. Az elektromos alkatrészek cseréjekor ügyeljen arra, hogy csak az azonos típusú és kategóriájú alkatrészeket használjon, amelyek a gyártó ajánlásával/jóváhagyásával rendelkeznek. Kétség esetén forduljon a gyártó műszaki szolgálatához segítségért.
- A következő ellenőrzéseket kell alkalmazni a gyúlékony hűtőközegeket használó létesítményekre:
  - a berendezésen elhelyezkedő jelöléseknek láthatónak és olvashatónak kell maradnia. Minden olvashatatlan jelölést vagy jelet ki kell javítani;
  - a hűtőközeg-csővek vagy alkatrészek olyan helyzetben vannak elhelyezve, ahol nem valószínű, hogy olyan anyag hatásának legyenek kitéve, amely korrodálhatja a hűtőközeget tartalmazó összetevőket, kivéve, ha az alkatrészek olyan anyagokból készülnek, amelyek általában ellenállnak a korróziónak vagy megfelelően védettek az ilyen korrózió ellen.

### ***Az elektromos alkatrészek ellenőrzése***

- Az elektromos alkatrészek javításának és karbantartásának tartalmaznia kell a kezdeti biztonsági ellenőrzéseket és az alkatrész-ellenőrzési eljárásokat. Ha olyan hiba lép fel, amely veszélyeztetheti a biztonságot, akkor a hiba megszüntetéséig a táplálás nem csatlakoztatható az áramkörhöz. Ha a hiba nem javítható azonnal, de a

munkálatokat folytatni kell, megfelelő ideiglenes megoldást kell találni. Ezt jelezni kell a berendezés tulajdonosának, hogy az összes érintett személy értesítése biztosítható legyen.

- Az elektromos alkatrészek javításának és karbantartásának tartalmaznia kell a következő kezdeti biztonsági ellenőrzéseket:
  - a kondenzátorok ki vannak sűtve: ezt biztonságosan kell elvégezni a szikra lehetőségének elkerülése érdekében;
  - a rendszeren végzett feltöltés, helyreállítás vagy átöblítés során nincs a közelben semmilyen elektromos alkatrész vagy tápkábel;
  - a földelés csatlakozásnak állandóan jelen kell lennie.

#### ***A szigetelt alkatrészek javítása***

- Szigetelt alkatrészek javítása esetén az összes elektromos táplálást le kell választani a berendezésről, amelyen a munkálatokat végzi, mielőtt eltávolítja a szigetelő fedelet stb. Ha a berendezést karbantartás közben mindenképpen elektromosan táplálni kell, a folyamatosan működő szivárgásérzékelő eszközt a legkritikusabb ponton kell elhelyezni, hogy jelezen minden potenciálisan veszélyes helyzetet.
- Különös figyelmet kell fordítani az alábbi pontokra annak biztosítása érdekében, hogy az elektromos alkatrészekon végzett munka során a ház ne sérüljön meg a védelem szintjét befolyásoló ponton. Ennek ki kell terjednie a sérült kábelekre, a túlzott számú csatlakozásra, az eredeti előírásoknak nem megfelelő csatlakozókra, a sérült tömítésekre, a tömszelencék helytelen telepítésére stb.
- Győződjön meg arról, hogy a készülék megfelelően rögzítve van.
- Győződjön meg róla, hogy a csatlakozások vagy a szigetelőanyagok nem károsodtak olyan mértékben, hogy már nem képesek megakadályozni, hogy a gyúlékony léghő bejusson az áramkörbe. A pótalkatrészeknek meg kell felelniük a gyártó előírásainak.

#### ***Az önmagukban biztonságos alkatrészek javítása***

- Ne használjon indukciós terhelést vagy állandó elektromos kapacitást az áramkörön anélkül, hogy ellenőrizné, hogy az nem haladja meg a használatban lévő készülék esetén megengedett feszültséget és áramerősséget.
- A normál esetben biztonságos alkatrészek jelentik az egyetlen olyan típust, amelyen munkálatokat lehet végezni gyúlékony léghő jelenlétében, miközben táplálás alatt állnak. A vizsgálati eszköznek a megfelelő osztályba kell tartoznia.
- Az alkatrészeket csak a gyártó által megadott alkatrészekre cserélje ki. A más típusú alkatrészek meggyújthatják a szivárgás esetén léghőbe jutó hűtőközeget.

#### ***Kábelezés***

- Ellenőrizze a vezetékeket, hogy nem láthatók-e rajtuk kopás, korrózió, túlzott nyomás, rezgés, éles szélek vagy egyéb káros környezeti hatások jelei. Az ellenőrzésnek figyelembe kell vennie az öregedés vagy a folyamatos rezgés által okozott hatásokat is, amit például a kompresszorok vagy a ventilátorok idézhetnek elő.

#### ***Gyúlékony hűtőközeg kimutatása***

- A hűtőközeg-szivárgások keresésére vagy kimutatására semmilyen körülmények között nem szabad potenciális szikraforrásokat felhasználni. Nem használható halogénlámpa (vagy bármely más nyílt lángot alkalmazó detektor).
- A következő szivárgásérzékelési módszerek tekinthetők elfogadhatónak minden hűtőrendszer esetében.
- Az elektronikus szivárgásérzékelők használhatók a hűtőközeg-szivárgások észlelésére, de előfordulhat, hogy gyúlékony hűtőközeg esetén az érzékenység nem megfelelő, vagy új kalibrálást igényel. (Az érzékelő berendezést olyan helyen kell kalibrálni, ahol nincs hűtőközeg.) Győződjön meg arról, hogy az érzékelő nem potenciális szikraforrás, és megfelel az alkalmazott hűtőközegnek. A szivárgásérzékelő berendezést a hűtőközeg százalékos LFL arányának megfelelően kell beállítani, és az alkalmazott hűtőközeg függvényében kell kalibrálni. A megfelelő gáz-százalékértéket (maximum 25%) meg kell erősíteni.
- A szivárgásérzékelő folyadékok a legtöbb hűtőközeg esetén szintén alkalmazhatók, de a klórtartalmú tisztítószer használata el kell kerülni, mivel ezek reagálhatnak a hűtőközeggel és korrodálhatják a réz csővezetékeket.
- Ha szivárgás gyanúja merül fel, minden nyílt lángot el kell távolítani/meg kell szüntetni.

- Ha hűtőközeg-szivárgást észlel és forrasztásra van szükség, az összes hűtőközeget el kell távolítani a rendszerből, vagy el kell különíteni (a zárószelepek használatával) a rendszer egy részében, a szivárgástól távol.

### ***Visszavonulás és evakuálás***

- A hűtőközeg kör javítások esetén vagy egyéb okokból történő elérésekor hagyományos eljárásokat kell alkalmazni. Azonban gyúlékony hűtőközegek esetén feltétlenül be kell tartani az ajánlásokat, mivel a tűzveszélyt figyelembe kell venni. A következő eljárást kell követni:
- Távolítsa el a hűtőközeget;
  - Öblítse át a kört vegyileg közömbös gáz használatával (opcionális az A2L esetén);
  - Kiürítés (opcionális az A2L esetén);
  - Öblítse át inert gáz használatával (opcionális az A2L esetén);
  - Nyissa meg a kört vágással vagy forrasztással.
- A hűtőközeg-töltetet a megfelelő gyűjtőpalackokban kell összegyűjteni. Az A2L hűtőközegektől eltérő gyúlékony hűtőközegeket tartalmazó készülékek esetén a rendszert oxigénmentes nitrogénnel kell feltölteni, hogy alkalmas legyen a gyúlékony hűtőközegekkel történő használatra. Előfordulhat, hogy ezt a folyamatot többször meg kell ismételni. Sűrített levegő vagy oxigén nem használható a hűtőrendszerek átöblítésére.

### ***Töltési eljárások***

- Győződjön meg róla, hogy a vákuumszivattyú kimenete közelében nincs-e bármilyen potenciális szikraforrás, és hogy biztosítva van-e a megfelelő szellőztetés.
- A normál töltési eljárások mellett a következő előírásokat is be kell tartani.
- Bizonyosodjon meg arról, hogy a töltőberendezés használata során nincs szennyeződés a különböző hűtőközegek között. A flexibilis csöveknek vagy a csővezetékeknek a lehető legrövidebbnek kell lenniük, hogy a bennük lévő hűtőközeg mennyisége minél kisebb legyen.
- A palackokat megfelelő helyzetben kell tartani, az utasításoknak megfelelően.
- Győződjön meg róla, hogy a hűtőrendszer csatlakozik-e a földeléshez, mielőtt a rendszert hűtőközeggel kezdi tölteni.
- A feltöltés után helyezze el a megfelelő matricát a rendszeren (ha még nem történt meg).
- Különösen ügyeljen arra, hogy ne töltse túl a hűtőrendszert.
- A rendszer újratöltése előtt nyomáspróbát kell végezni a megfelelő átöblítő gáz használatával. A feltöltés után ellenőrizni kell a rendszert a szivárgások tekintetében, még az üzembe helyezés előtt. A helyszínről való távozás előtt nyomon követési szivárgásvizsgálatot kell végezni.

### ***Ártalmatlanítás***

- Az ártalmatlanítási eljárás végrehajtásához feltétlenül szükséges, hogy a technikus megfelelően ismerje a berendezést és annak jellemzőit. Különösen ajánlott az összes hűtőközeg gondosan elvégzett összegyűjtése. A feladat elvégzése előtt olaj- és hűtőközeg-mintát kell begyűjteni, ha elemzés elvégzése szükséges a visszanyert hűtőközeg bármilyen más felhasználása előtt. A feladat megkezdése előtt feltétlenül ellenőrizni kell az elektromos táplálás jelenlétét.
  1. Ismerje meg a berendezést és annak működését.
  2. Végezze el a rendszer elektromos leválasztását.
  3. Az eljárás megkezdése előtt győződjön meg a következőkről:
    - A hűtőközeg-palackok kezeléséhez szükség esetén rendelkezésre áll egy mechanikus anyagmozgató berendezés;
    - Minden egyéni védőeszköz rendelkezésre áll, és megfelelően használják;
    - A begyűjtési folyamatot egy hozzáértő személy mindig ellenőrzi;
    - A berendezések és a visszanyerő palackok megfelelnek a vonatkozó szabványoknak.
  4. Ha lehetséges, ürítse ki a hűtőrendszert.
  5. Ha nem hozható létre vákuum, szereljen fel egy gyűjtőcsövet, hogy a hűtőközeget eltávolíthassa a rendszer különböző helyeiről.
  6. Az összegyűjtési műveletek megkezdése előtt győződjön meg róla, hogy a palack a mérlegen található.
  7. Indítsa el az összegyűjtő berendezést és működtesse azt az utasításoknak megfelelően.
  8. Ne töltse túl a palackokat (a folyékony töltet a térfogat legfeljebb 80%-a).



9. Ne lépje túl a palack maximális üzemi nyomását, még ideiglenesen sem.
10. Ha a palackokat megfelelően feltöltötte és a folyamat befejeződött, ügyeljen arra, hogy a palackokat és a berendezést gyorsan eltávolítsa a helyszínről, és hogy a berendezés alternatív leválasztószelepei le legyenek zárva.
11. A visszanyert hűtőközeg nem tölthető be más hűtőberendezésbe, hacsak nem lett megtisztítva és ellenőrizve.

## ÜZEMZAVAR-ELHÁRÍTÁS

- Minden forrasztási műveletet képzett forrasztó szakembernek kell elvégeznie.
- A csővezetékek cseréje kizárólag az NF EN 12735-1 szabványnak megfelelő réz csővel végezhető el.
- A szivárgások észlelése, nyomás alatti teszt esete:
  - soha ne használjon oxigént vagy száraz levegőt, tűz vagy robbanás veszélye,
  - Használjon víztelenített nitrogént vagy nitrogén és az adattáblán megjelölt hűtőközeg keverékét,
  - A tesztnyomás az alacsony és a magas nyomású oldalon nem haladhatja meg a 42 bart abban az esetben, ha a berendezés fel van szerelve a nyomásmérő opcióval.
- A nagynyomású kör csőrendszerének réz csövei esetén, átmérő = vagy  $> 1\frac{5}{8}$ , a beszállítótól az NF EN 10204 szabvány 2.1 paragrafusa szerinti tanúsítványt kell kérni, amit meg kell őrizni a telepítés műszaki dossziéjában.
- A különböző alkalmazandó irányelvek biztonsági követelményeivel kapcsolatos műszaki adatok az adattáblán szerepelnek. Mindezeket az információkat fel kell vezetni a berendezés telepítési útmutatójára, amelynek szerepelnie kell a telepítés műszaki dossziéjában: modell, kód, sorozatszám, maximális és minimális TS, PS, gyártási év, CE jelölés, a gyártó címe, hűtőközeg és súly, elektromos paraméterek, termodinamikai és akusztikai teljesítmény.

## FELIRATOZÁS

- A berendezést el kell látni olyan felirattal, amely feltünteti, hogy üzemben kívül helyezték és a hűtőközeget leeresztették.
- A feliratozást dátummal és aláírással kell ellátni.
- A gyúlékony hűtőközeget tartalmazó készülékek esetében ügyeljen arra, hogy elhelyezzék a berendezésen azokat a feliratokat, amelyek jelzik, hogy gyúlékony hűtőközeget tartalmaz.

## BEGYŰJTÉS

- A hűtőközeg karbantartás vagy üzemben kívül helyezés miatti leeresztése során ajánlott betartani a jó gyakorlatokat, hogy teljesen biztonságosan eresszék le a hűtőközeg egészét.
- Amennyiben a hűtőközeget palackban szállítják, ügyeljen arra, hogy hűtőközeg begyűjtésére alkalmas palackot használjanak. Ügyeljen arra, hogy kellő számú palackról gondoskodjon a közeg egészének begyűjtéséhez. A felhasználni kívánt palackok mindegyikének hűtőközeg begyűjtésére valónak kell lennie, és feliratozni kell az adott hűtőközeg nevével. A palackoknak jól működő nyomáscsökkentő szeleppel és zárószelepekkel felszereltnek kell lenniük. Az üres gyűjtőpalackokat ártalmatlanítani kell, valamint lehetőség szerint lehűteni a begyűjtés előtt.
- A begyűjtéshez használt berendezésnek jól kell működnie, a használatra vonatkozó előírások a keze ügyében kell, hogy legyenek, továbbá a berendezésnek az adott hűtőközeghez valónak kell lennie, beleértve adott esetben a gyúlékony hűtőközeget is. Rendelkezésre kell, hogy álljon továbbá egy kalibrált mérlegekből álló, jól működő egység. Teljes tömlőket kell használni, amelyeken jó állapotban vannak, és nincs rajtuk szivárgás vagy levált csatlakozás. A begyűjtésre szolgáló berendezés használata előtt ellenőrizze, hogy jól működik-e, megfelelően karbantartották-e, valamint a hozzá tartozó elektromos alkatrészeket szivárgásmentesítették-e, hogy a hűtőközeg kiszabadulása esetén elejét vegyék a tűz kiütésének. Kétség esetén konzultáljon a gyártóval.
- A begyűjtött hűtőközeget a gyűjtőpalackjában kell visszaküldeni a hűtőközeg gyártójának, hulladékszállítási jegyzék kíséretében. A begyűjtőegységekben, főként pedig a palackokban ne keverjen össze különböző hűtőközegeket.
- Ha a kompresszort leszerelték vagy a kompresszorolajat leeresztették, ellenőrizze, hogy a hűtőközeg távozott-e, nehogy a kenőanyaggal keveredhessen. Mielőtt visszaküldené a kompresszort a gyártónak, el kell végezni a leeresztési folyamatot. A folyamat felgyorsítására kizárólag a kompresszorház elektromos melegítését lehet használni. Amikor adott rendszerből az összes folyadék kiürült, ezt a műveletet teljes biztonsággal el lehet végezni.



### **Újrahasznosítás**

Ez a 2012/19/EU elektromos és elektronikus berendezések hulladékaira vonatkozó európai irányelv által megkövetelt szimbólum azt jelenti, hogy a készüléket nem szabad a szemetesbe dobni. Az újbóli felhasználás, újrahasznosítás, illetve hasznosítás érdekében szelektív gyűjtés tárgyát képezi. Ha a környezetre potenciálisan veszélyes anyagokat tartalmaz, ezeket ártalmatlanítani vagy semlegesíteni kell. Az újrahasznosítási módokat illetően tájékozódjon a viszonteladónál.

# MINI MELEGÍTŐ

## Telepítési és használati útmutató

### Tárgymutató

1. Termékleírás
2. Szállítási feltételek
3. Méret
4. Telepítés és kapcsolás
5. Elektromos kábelezés
6. A vezérlő működése
7. Helyreállítási útmutató
8. Felbontott ábra
9. Karbantartás
10. Tartozékok

Köszönjük, hogy a Mini heater medencei hőszivattyút választotta medencéje vizének melegítésére, fel fogja melegíteni a medencéje vizét, majd állandó hőmérsékleten tartja, amikor a környezeti hőmérséklet 12°C felett van.



**FIGYELEM:** Ez a kézikönyv az Ön hőszivattyúja használatához és telepítéséhez szükséges valamennyi információ tartalmazza.

A beszerelőnek el kell olvasnia a kézikönyvet és figyelmesen be kell tartania a termék használati, üzembe helyezési és biztonsági utasításokat.

A beszerelő felel a készülék telepítéséért és a beszerelésre vonatkozó gyártói utasítások valamint az érvényben lévő szabályozás betartásáért. A jelen kézikönyvben foglaltak be nem tartása minden garancia kizárását vonja maga után.

A gyártó nem vállal felelősséget olyan személyi sérülésekért, tárgyak károsodásáért és hibákért, amelyek a nem megfelelő körülmények között történő telepítés miatt következnek be.

Az eredeti rendeltetésnek meg nem felelő más célra történő minden felhasználás veszélyesnek tekintendő.

# 1. Termékleírás

## 1.1. Medencei hőszivattyú

Mértékegység	HPM20	HPM30	HPM40
Kód	71245	71258	71606
<b>*Fűtési teljesítmény</b> Levegő 28°C/Víz 28°C/Páratartalom 80%			
Visszanyert teljesítmény (kW)	2,5	4,2	5,5
Fogyasztás (kW)	0,59	1	1,31
Teljesítménytényező	4,2	4,2	4,2
<b>*Fűtési teljesítmény Levegő 15°C/Víz 26°C/Páratartalom 70%</b>			
Visszanyert teljesítmény (kW)	1,9	3,2	4,2
Fogyasztás (kW)	0,56	0,91	1,2
Teljesítménytényező	3,4	3,5	3,5
<b>* Adatok</b>			
Elektromos táplálás (V)	220-240 V~50 Hz/1PH		
Névleges áram (A)	2,6	4,4	5,8
Javasolt megszakító (A)	7,5	10	16
A medence maximális térfogata** (m <sup>3</sup> )	<20	<30	<40
Minimális és ajánlott vízhozam (m <sup>3</sup> /h))	2	2	2,5
Maximális/minimális üzemi nyomás (Mpa)	4,2/0,05		
Víznyomás (Kpa)	15	15	15
Hőcserélő	PVC titán		
Védettségi fokozat	IPX4		
Bejárat-kijárat átmérő (mm)	38/32		
Zajszint 10m-re dB(A)	48	46	46
Zajszint 1m-re dB(A)	57	55	55
Hűtőközeg R32 (g)	160	290	400
<b>* Méret &amp; Súlyok</b>			
Nettó súly (kg)	18	26	30
Bruttó súly (kg)	19	28,5	33
Méret (mm)	313*364,5*428,5	435*436,5*511,5	515*487*541,5
A csomag mérete (mm)	380*455*500	496*525*575	570*570* 605

\*A fenti adatok előzetes értesítés nélkül módosulhatnak.

\*\*További részleteket talál a csomagoláson vagy a webhelyünkön.

## 2. Szállítási feltételek

### 2.1. A csomagok szállításával kapcsolatos utasítások



Szállításhoz a hőszivattyút gyárilag egy raklapra rögzítik és kartonnal burkolva védik. Károsodások elkerülése érdekében a hőszivattyút becsomagolva, **a raklapján kell szállítani**

Még ha a szállítás a szállító felelősségére történik is, bármely anyag megsérülhet a vevőnek történő szállítás során, és a címzett felelős a megfelelő szállítás biztosításáért. A címzett – ha a csomagoláson bármilyen sérülést állapít meg átvételkor – köteles ezt írásban jelezni a fuvarozó szállítólevelén. **NE FELEJTSE EL A FUVAROZÓNAK KÜLDÖTT AJÁNLOTT LEVÉLBEN 48 ÓRÁN BELÜL MEGERŐSÍTENI AZ ÁTVÉTELT.**

### 2.2. Tárolási utasítások



A hőszivattyút **függőleges helyzetben** eredeti csomagolásában kell tárolni és mozgatni. Ha nem ez történik, nem helyezhető üzembe azonnal. Legalább 24 órára van szükség a termék feszültség alá helyezése előtt.

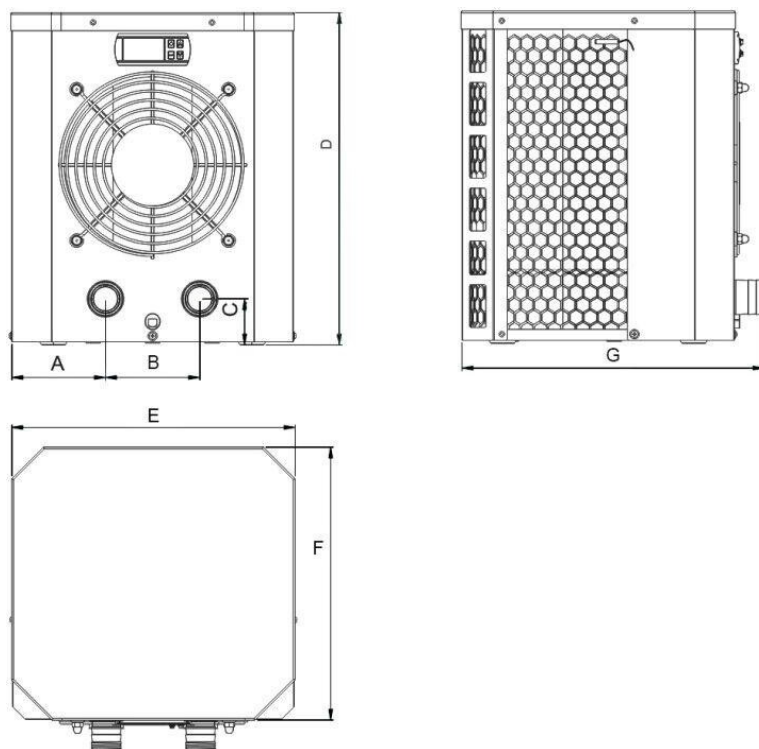
### TILTÁS



### 2.3. Utasítások a hőszivattyú végleges helyére történő áthelyezése idejére

A termék kicsomagolásakor és az eredeti raklapról a végleges helyére helyezésekor függőleges helyzetben kell tartani a hőszivattyút. A hidraulikus csatlakozások nem azért vannak, hogy az emelő fogantyú funkcióját töltsék be, éppen ellenkezőleg : a szivattyú hidraulikus csatlakozásai ki- és beömlőnyílásaira való teljes súllyal való tartós ráhelyezése a terméket véglegesen károsíthatja. Törés esetén ilyenkor a gyártó nem vonható felelősségre.

### 3. Méret



Tétel / (mm)	A	B	C	D	E	F	G
HPM20	90,4	130	50	428,5	313	300	364,5
HPM30	116,5	200	50	511,5	435	365	436,5
HPM40	134,6	260	50	541,5	515	421	487

## 4. Telepítés és kapcsolás

### **Figyelem:**

Telepítés előtt kérjük megismerkedni az alábbi indikációkkal

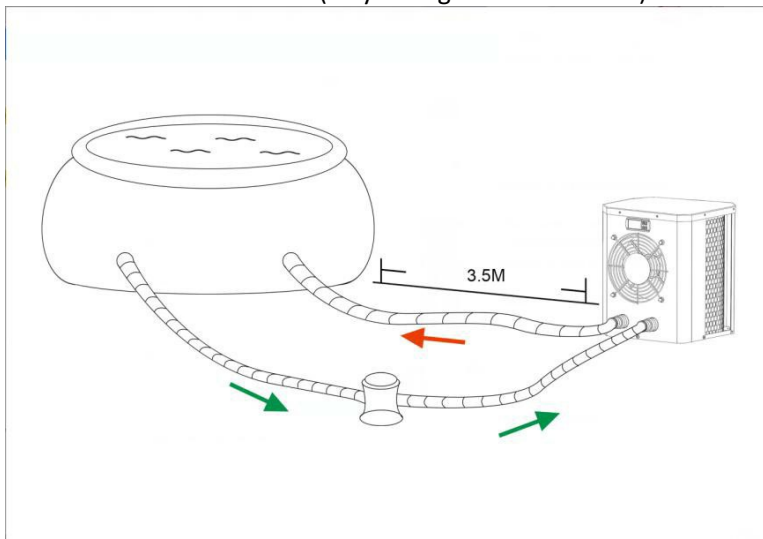
1. Minden vegyi folyadékot tartalmazó terméket a medencei hőszivattyú mögött kell telepíteni.
2. Mindig hagyja a medence hőszivattyúját függőleges helyzetben. Ha a gép szállítás közben megdőlt, várjon legalább 24 órát a hőszivattyú elindítása előtt.

### 4.1. Az úszómedence hőszivattyújának elhelyezése

A készülék szinte bárhová telepíthető a szabadban, feltéve, hogy mindhárom tényező teljesül:

#### 1. Jó szellőzés – 2. Stabil és megbízható tápegység – 3 A szennyvíz megfelelő elvezetése

Az egység a szabadban bárhová telepíthető, feltéve, hogy az alábbi ábrán látható minimális távolságokat betartják. Beltéri telepítéshez kérjen tanácsot a telepítőtől. A szeles helyre történő telepítés nem okoz problémát, kivéve, ha gázfűtő berendezés van a közelben (a nyílt láng okozta kockázat).



**FIGYELEM:** Az egységet nem szabad olyan helyre telepíteni, ahol a szellőzés nem megfelelő, vagy olyan helyekre, amelyek nem képesek folyamatosan levegőt áramoltatni, ügyeljünk arra, hogy a levegő beömlőnyílását soha ne tömítsük el. Levelek és más törmelék ragadhat a párologtatóhoz, csökkentve annak hatékonyságát és élettartamát.

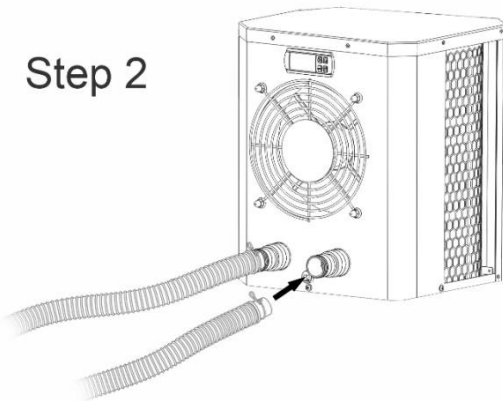
### 4.2. Az egység első üzembe helyezése

**Megjegyzés:** A medence (vagy a gyógyfürdő) vizének felmelegítéséhez, a szűrőszivattyúnak működni kell, oly módon, hogy cirkuláltassa a vizet a hőszivattyún keresztül. Ha a víz nem folyik, a hőszivattyú működésbe hozza a túlmelegedés elleni védelmet és leállításhoz vezet.

#### 4.3. A csövek csatlakoztatása

Step 1 

Step 2



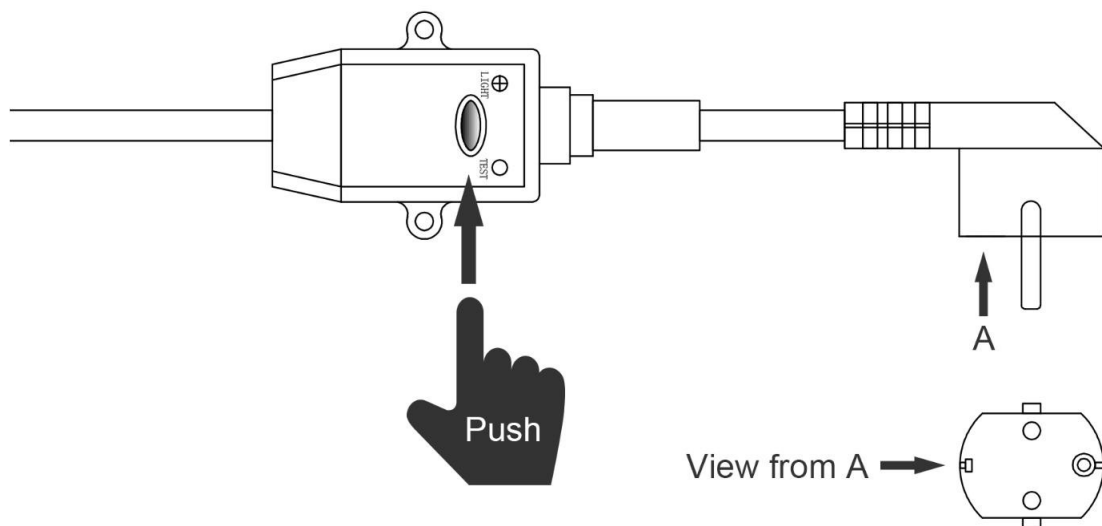
#### Megjegyzés:

A hőszivattyú szállítása egymagában történik. Az összes többi elemet, beleértve a csöveket is, a felhasználónak vagy a telepítőnek kell biztosítania.

#### 4.4. Elektromos csatlakoztatás

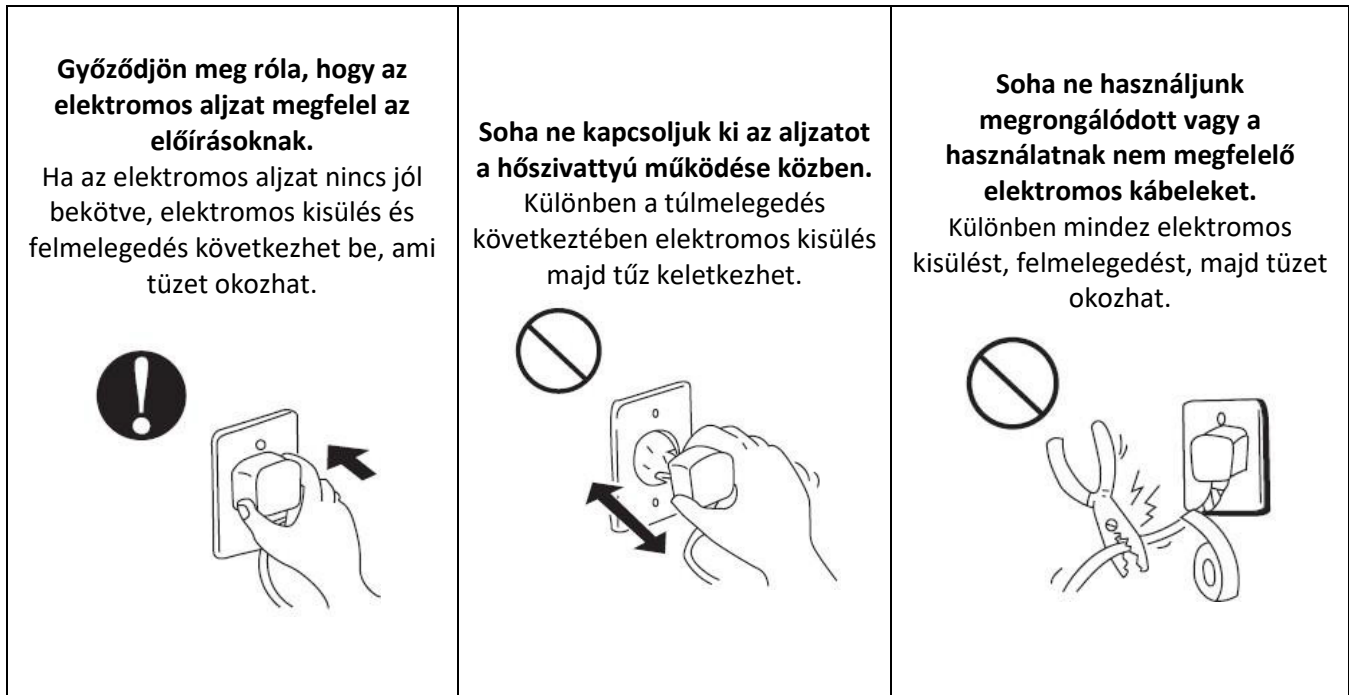
A készülék csatlakoztatása előtt ellenőrizze, hogy a tápfeszültség megfelel-e a hőszivattyú üzemi feszültségének.

Az RCD-aljzat szállítása áramütés elleni védelemmel ellátott tápkábellel történik. A tesztgomb a megszakító kapacitásának ellenőrzésére szolgál





## Figyelem:



Az összes kapcsolat létrejötte után kövesse az alábbi lépéseket:

- (1) Kapcsolja be a szűrőszivattyút, ellenőrizze, hogy nincs e vízszivárgás és a vízhozamot a medence szintjén.
- (2) Kapcsolja be a készülék áramellátását, majd nyomja meg a vezérlő ON/OFF billentyűjét.
- (3) Néhány perc működés után győződjön meg róla, hogy a szellőztetett levegő hideg.
- (4) Amikor deaktiválja a szűrőszivattyút, az egységnek is automatikusan deaktiválódnia kell, ha nem ez történik, ellenőrizze az áramláskapcsolót.

Attól függően, hogy milyen volt a víz és a kezdeti hőmérséklete a medencében és a levegő hőmérséklete, a berendezést több napon keresztül működtetni szükséges, hogy a kívánt hőmérsékletre melegedjen fel.

A medence megfelelő védelme (fedél, napernyő) jelentősen csökkentheti a szükséges időt.

## Késleltetés:

Az egység beépített 3 perces késleltetett újra indulás elleni védelemmel van felszerelve. A késleltetés a kompresszor vezérlő és védő áramkörének szerves része.

A késleltetés funkció megakadályozza a készülék automatikus újraindítását (kb. 3 percig) a vezérlő minden megszakítása után. Még egy rövid áramkimaradás is aktiválja a 3 perces időzítőt, és megakadályozza a készülék újraindítását, amíg a 3 perces visszaszámlálás befejeződik.

## 4.5. Páralecsapódás

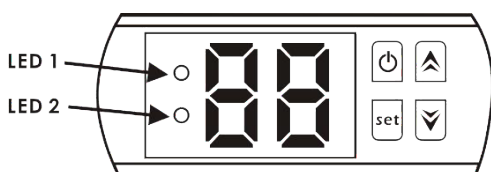
A hőszivattyúba szívott levegőt erősen lehűti a medence vizét melegítő hőszivattyú működése, ami páralecsapódást okozhat a párologtató szárnyain. A párologtatás szintje magas relatív pártartalom esetén több liter is lehet óránként. Néha tévesen ezt vízszivárgásként értékelik.





## 6. A vezérlő működése

### 6.1. A LED vezérlőtábla funkciói




Amikor a hőszivattyú működésben van, a LED kijelző megjeleníti a víz beömlő nyílásnál érzékelt hőmérsékletét.

Amikor a hőszivattyú működésben van, a LED 1 meggyullad.



Amikor a hőszivattyú meghibásodott, a LED 2 meggyullad.



### 6.2. A hőszivattyú indítás vagy leállítása

Nyomja meg  a hőszivattyú indításához, a kijelző 5 másodpercig a kívánt hőmérsékletet, majd a víz beömlő nyílásánál mért hőmérsékletet jeleníti meg.

Nyomja meg  a hőszivattyú leállításához.





### 6.3. Vízhőmérséklet beállítása:

Nyomja meg  és  a kívánt hőmérséklet kiválasztásához (érték: 10–42 °C).

Nyomja meg  és  a kiválasztott érték elmentéséhez.

MEGJEGYZÉS: Figyelem, a hőszivattyú csak akkor működik, ha a szűrőrendszer be van kapcsolva.

### 6.4. Hogyan ellenőrizzük a beállításokat.

Készenléti üzemmódban vagy működés közben, nyomja meg , majd nyomja meg  vagy  a d0 vagy d1 paraméter kiválasztásához, nyomja meg , a kiválasztásához és az érték kijelzéséhez.

Paraméter	Paraméter
d0	A környezeti hőmérséklet
d1	A víz hőmérséklete

Megjegyzés: Az értékeket a felhasználók nem módosíthatják.

## 7. Helyreállítási útmutató

### 7.1. A vezérlő táblán megjelenő hibakód

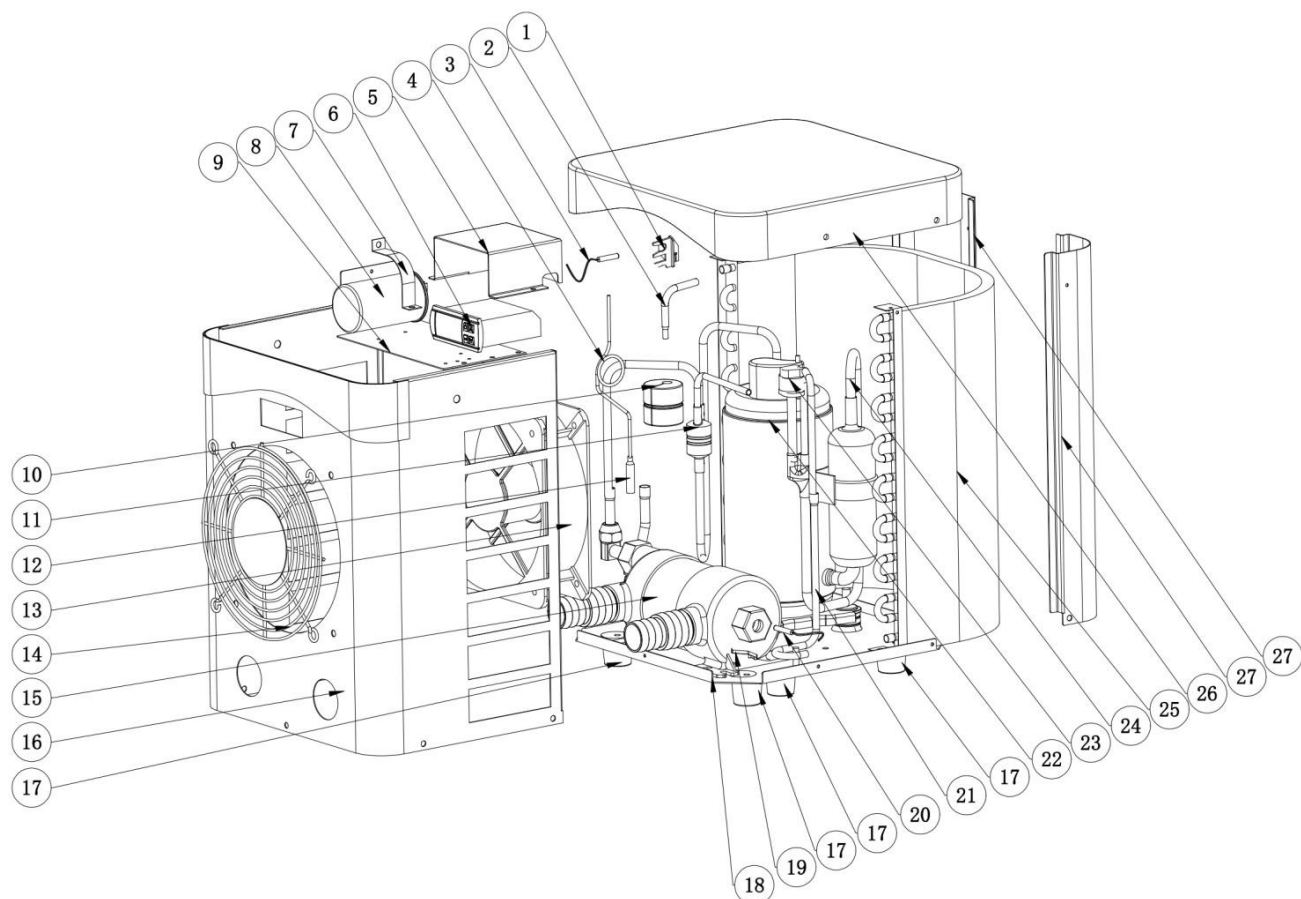
Működési hiba	Hibakód	Ok	Oldat
A környezeti hőmérséklet védelme túl alacsony	P0	<ol style="list-style-type: none"><li>1. A környezeti hőmérséklet alacsonyabb, mint 12 °C</li><li>2. A vezérlő meghibásodása.</li></ol>	<ol style="list-style-type: none"><li>3. Várjon, amíg a környezeti hőmérséklet felmegy 13 °C-ra.</li><li>4. Cserélje ki a vezérlőt.</li></ol>
A vízhőmérséklet-érzékelő meghibásodása	P1	Vízhőmérséklet-érzékelő nyitott kör vagy rövidzárlat	Cserélje ki a vízhőmérséklet-érzékelőt.
Környezeti hőmérséklet érzékelő	P2	Környezeti hőmérséklet-érzékelő nyitott kör vagy rövidzárlat	Cserélje ki a környezeti hőmérséklet-érzékelőt.
Alacsony nyomás elleni védelem	EL	<ol style="list-style-type: none"><li>1. Alacsony nyomású kapcsoló lekapcsolva vagy hibás</li><li>2. Gázszivárgás</li></ol>	Bízzon meg egy megfelelő képesítéssel rendelkező szakembert a gázhálózat megjavításával.

**7.2. Egyéb rendellenes működések és Megoldások (Nem jelenik meg a LED vezérlőn).**

<b>Rendellenes működés</b>	<b>Megjegyzések</b>	<b>Okok</b>	<b>Oldat</b>
A hőszivattyú nem működik	A LED vezérlő nem jelez ki semmit	Nincs tápellátás.	Ellenőrizze a megszakítót és az elektromos csatlakoztatásokat
	A LED vezérlő a víz valós hőmérsékletét jelzi ki.	<ol style="list-style-type: none"> <li>1. A víz hőmérséklete elérte a rögzített értéket, a hőszivattyú leállt, készenléti állapotban van.</li> <li>2. A hőszivattyú éppen elkezd működni (3 perc)</li> </ol>	<ol style="list-style-type: none"> <li>1. Ellenőrizze a vízhőmérséklet beállítását.</li> <li>2. Várja meg a hőszivattyú beindulását, néhány percig.</li> </ol>
Rövid működés	A LED vezérlő a víz valós hőmérsékletét jelzi ki, semmilyen hibakód nem jelenik meg.	<ol style="list-style-type: none"> <li>1. A ventilátor nem működik</li> <li>2. Nem megfelelő a szellőzés</li> <li>3. A hűtőközeg nem elegendő.</li> </ol>	<ol style="list-style-type: none"> <li>1. Ellenőrizze a motor és a ventilátor közötti kábeleket, szükség esetén ki kell cserélni.</li> <li>2. Ellenőrizze a hőszivattyú egység elhelyezkedését, és szüntesse meg a megfelelő szellőzés minden akadályát.</li> <li>3. A hőszivattyú cseréje vagy javítása</li> </ol>
Vízfoltok	Vízszivárgás a hőszivattyú alatt	<ol style="list-style-type: none"> <li>1. Kondenzvíz jön a működésben lévő párologtatótól.</li> <li>2. Vízeszivárgás</li> </ol>	<ol style="list-style-type: none"> <li>1. Semmilyen akció, a hőszivattyú normális működése.</li> <li>2. Ellenőrizze, hogy nincs-e szivárgás a titán hőcserélőnél.</li> </ol>

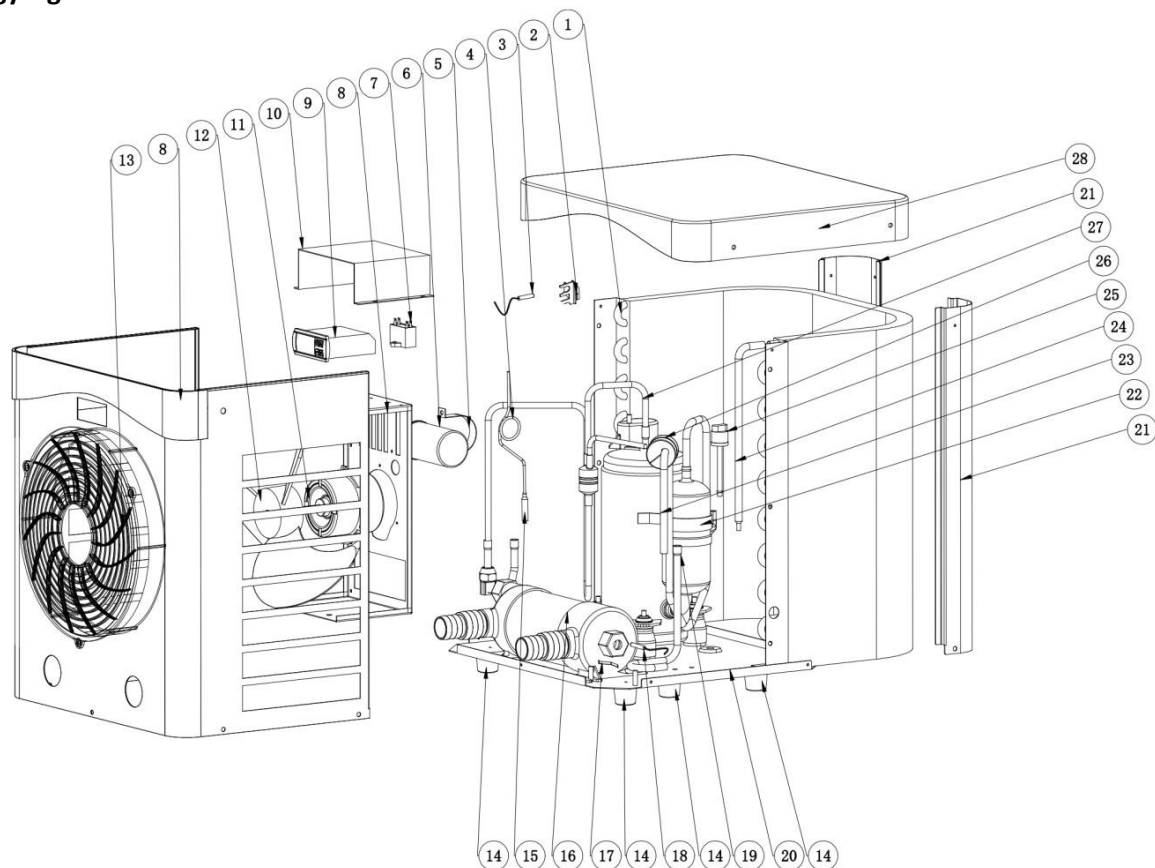
## 8. Felbontott ábra

Mértékegység: HPM20



Szám:	Megnevezés	HPM20	Szám:	Megnevezés	HPM20
1	Érzékelő klipsz	102040891	15	Titán hőcserélő	102040891
2	Gáz cső	108680047	16	Elülső panel	108680047
3	Hőmérséklet szonda T5	136020168	17	Gumilábak	136020168
4	Hajszálcső	108680045	18	Alap	108680045
5	Elektromos doboz	108010025	19	Kapocs	108010025
6	Vezérlő	117110068	20	Víz beömlési hőmérséklet szonda T1	117110068
7	Rögzítő klip	113050123	21	Réz gyújtó	113050123
8	Kompresszor kondenzátora	101000233	22	Kompresszor	101000233
9	Ventilátor felső panel	116000091	23	Alacsony nyomású mini nyomásérzékelő	116000091
10	Gumikalapács	113010300	24	Gáz cső	113010300
11	Gáz visszavezető cső	103000236	25	Párolgató	103000236
12	Gáz cső	133400001	26	Felső panel	133400001
13	Ventilátor tartószerkezet	108680046	27	Hátsó bal oldali pillér	108680046
14	Ventilátor védő rács				

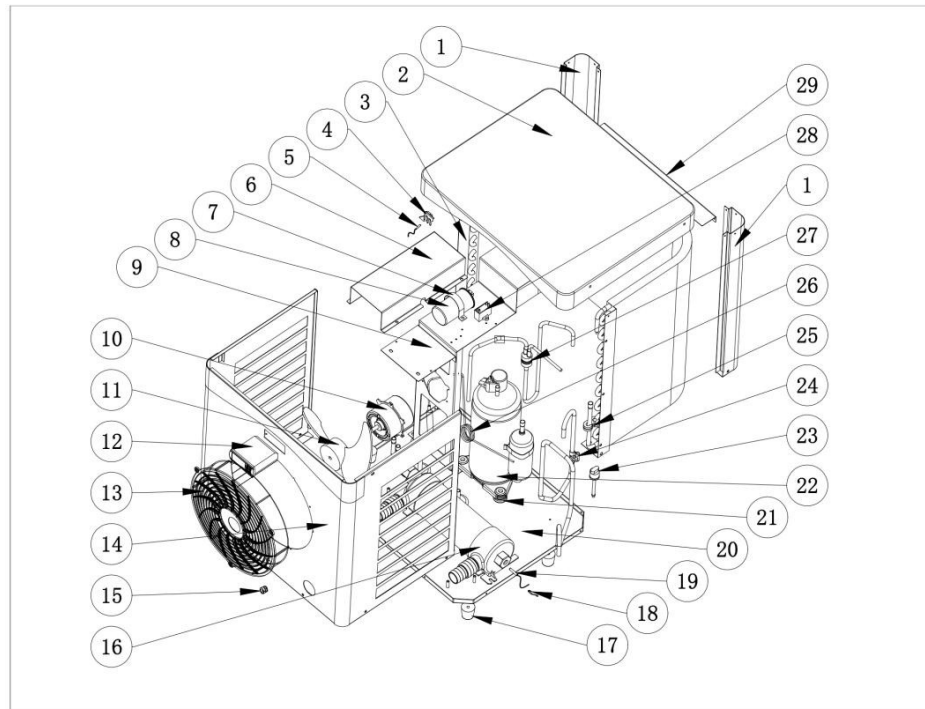
**Mértékegység: HPM30**



Szám:	Megnevezés	HPM30	Szám:	Megnevezés	HPM30
1	Elpárologtató	103000237	15	Gáz cső	113100027
2	Hőmérséklet-érzékelő klipsz	133020010	16	Titán hőcserélő	102040900
3	Környezeti hőmérséklet szonda	117110079	17	Kapocs	108010025
4	Hajszálcső	109000038	18	Hőmérséklet szonda vívbemenet T1	117110068
5	Rögzítő klip	108010006	19	Gáz cső	113050125
6	Kompresszor kondenzátora	111000011	20	Alap	108690033
7	Ventilátor kondenzátora	111000034	21	Hátsó bal oldali pillér	108690048
8	Elülső panel	108690047	22	Kompresszor	101000232
9	Vezérlő	117020189	23	Gáz cső	113020467
10	Elektromos doboz	108690015	24	Gáz cső	113420129
11	Ventilátormotor	112000054	25	Alacsony nyomás szonda	116000091
12	Ventilátor	132000024	26	Gumikalapács	136020026
13	Ventilátor védő rács	133020052	27	Gáz cső	113010351
14	Gumilábak	136020168	28	Felső panel	133330004



**Mértékegység: HPM40**



Szám:	Megnevezés	HPM40	Szám:	Megnevezés	HPM40
1	Hátsó bal oldali pillér	108950009	16	Titán hőcserélő	117020363
2	Felső panel	133440001	17	Gumilábak	136020168
3	Elpárologtató	103000343	18	A hőmérséklet-érzékelő klipsz	108010025
4	Rögzítő klip szonda	133020010	19	Vízbemeneti Hőmérséklet szonda T1	117110068
5	Vízbemenet hőmérséklet szonda T1	117110068	20	Alap	108950007
6	Elektromos doboz	108950006	21	Gumilábak	101000241
7	Rögzítő klip	108010006	22	Kompresszor	101000241
8	Kompresszor kondenzátora	111000012	23	Alacsony nyomás szonda	116000091
9	A ventilátor motorjának tartószerkezete	108950010	24	Gáz cső	113020602
10	Ventilátormotor	112000079	25	Vezérlő	136020018
11	Ventilátor	132000024	26	Hajszálcső	109000038
12	Vezérlő	117020302	27	Gáz cső	113020624
13	Ventilátor védő rács	133020052	28	Ventilátor kondenzátora	111000034
14	Elülső panel	108950008	29	A tartószerkezet tartó lemeze	108950011
15	Kábelvezető	142000126	30	Gumilábak	101000241

## 9. Karbantartás

- (1) Rendszeresen ellenőrizze a vízkört, hogy elkerülje levegő a csővezetékbe jutását és a túl alacsony áramlási sebességet, mivel ez csökkenti a hőszivattyú teljesítményét és a megbízhatóságát
- (2) Rendszeresen tisztítsa meg a medencét és a szűrőrendszert.
- (3) Ne felejtse el télen vagy amikor a környezeti hőmérséklet  $0\text{ }^{\circ}\text{C}$ -alá süllyed leüríteni a vizet a hőszivattyúból, különben a fagy károsíthatja a titán hőcserélőt, ami a garancia elvesztését vonja maga után.
- (4) Teljesen töltsse fel a rendszert vízzel, mielőtt újra működésbe hozza az egységet.
- (5) Amikor az egység működésben van, mindig van egy kis kondenzvíz, ami alul lefolyik.

## 10. Tartozékok



## HU – KEZESSÉGVÁLLALÁSI TANÚSÍTVÁNY

### 1 ÁLTALÁNOS SZEMPONTOK

- 4.6. Ezeknek a rendelkezéseknek megfelelően az eladó garantálja, hogy a garanciával védett termék (a továbbiakban: Termék) a szállítás napján nem hibás.
- 4.7. A Termék Jótállási Időtartama a vevőnek történő átadásától számítva két (2) év.
- 4.8. Ha a termék hibás, és ha a vevő erről értesíti az eladót a Jótállási Időszak alatt, az eladó köteles saját költségén megjavítani vagy kicserélni a Terméket azon a helyen, ahol ezt jónak tartja, kivéve, ha ez lehetetlen vagy aránytalan.
- 4.9. Ha a Termék nem javítható vagy cserélhető, a vevő kérheti az ár arányos csökkentését, vagy ha a hiba elég jelentős, az adásvételi szerződés felmondását.
- 4.10. A jelen garancia keretében kicserélt vagy megjavított alkatrészek nem hosszabbítják meg az eredeti Termék jótállási idejét, azonban ezekre saját garancia vonatkozik.
- 4.11. A jelen garancia hatékonysága érdekében a vevőnek igazolnia kell a Termék beszerzésének és átadásának időpontját.
- 4.12. Ha több mint hat hónap telt el a Termék vevőnek történő átadása óta, és ez utóbbi a Termék hibájára hivatkozik, a vevőnek igazolnia kell az állítólagos hiba eredetét és létezését.
- 4.13. Ez a Garanciavállalási Tanúsítvány nem korlátozza és nem sérti a nemzeti szabványokban a fogyasztóknak kötelező jelleggel biztosított jogokat..

### 2 EGYEDI FELTÉTELEK

- Ez a garancia azokra a termékekre vonatkozik, amelyekre a kézikönyv hivatkozik.
- Jelen Garanciavállalási Tanúsítvány érvényessége csak az Európai Unió országaira terjed ki.
- A garancia hatékonyságának biztosítása érdekében a vásárlónak szigorúan köteles betartani a Gyártó a Termékhez mellékelt dokumentációban foglalt utasításait, ha ez a Termék családjától és modelljétől függően alkalmazható.
- Ha a Termék egyes alkatrészeinek vagy összetevőinek cseréjére, karbantartására vagy tisztítására ütemtervet határoznak meg, a garancia csak akkor érvényes, ha az említett ütemtervet megfelelően követik.

### 3 KORLÁTOZÁSOK

- Jelen garancia csak a fogyasztóknak történő értékesítésekre vonatkozik, „fogyasztónak” számítva mindazokat a személyeket, akik a Terméket olyan célokra vásárolják, amelyek nem tartoznak szakmai tevékenysége körébe.
- A termék használatából következő kopásos elhasználódásra nem érvényes a garancia. Alkatrészek, összetevők és / vagy helyettesíthető vagy fogyó anyagok, például elemek, izzók stb. esetében adott esetben tiszteletben kell tartani a Termékhez csatolt dokumentációban előírtakat.
- A garancia nem vonatkozik a Termék: (I) rendeltetésellenes használata esetén; (II) ha engedéllyel nem rendelkező személy javította, karbantartotta vagy manipulálta, vagy (III) nem eredeti alkatrészekkel javította vagy tartotta karban. Ha a termék hibája a helytelen telepítés vagy üzembe helyezés következménye, ez a garancia csak akkor érvényes, ha az említett telepítést vagy üzembe helyezést a Termék adás-vételi szerződése tartalmazza, és az eladó által vagy az ő felelősségére történt.



## ADVARSLER

	<p>Dette symbol viser, at der er oplysninger tilgængelige, f.eks. betjeningsvejledning eller installationsvejledning.</p>		<p>Dette symbol viser, at dette apparat bruger R32, et kølemiddel med lav forbrændings hastighed.</p>
	<p>Dette symbol viser, at betjeningsvejledningen skal læses omhyggeligt.</p>		<p>Dette symbol viser, at servicepersonale skal håndtere dette udstyr med henvisning til installationsvejledningen.</p>

### GENERELLE ADVARSLER

- Hvis advarslerne ikke overholdes, kan det medføre alvorlig beskadigelse af pool-udstyret eller forårsage alvorlig personskade, endog dødsfald.
- Kun en person, der er kvalificeret inden for de pågældende tekniske områder (elektricitet, hydraulik eller køling), er autoriseret til at udføre vedligeholdelses- eller reparationsarbejde på apparatet. Den kvalificerede tekniker, der arbejder på apparatet, skal bruge/ bære personlige værnemidler (såsom sikkerhedsbriller og beskyttelseshandsker osv.) for at reducere risikoen for skader, når der arbejdes på apparatet.
- Før du håndterer apparatet, skal du kontrollere, at det er slukket og isoleret.
- Dette apparat er ikke beregnet til brug af personer (herunder børn over 8 år), der mangler erfaring eller har nedsatte fysiske, sensoriske eller mentale evner, medmindre: de er under opsyn og bliver instrueret i at bruge apparatet af en person, der er ansvarlig for deres sikkerhed; og hvis de forstår de involverede farer.
- Børn skal være under opsyn for at sikre, at de ikke leger med apparatet.
- Apparatet skal installeres i henhold til producentens anvisninger og i overensstemmelse med lokale og nationale standarder. Installatøren er ansvarlig for at installere apparatet og for at overholde de nationale installationsregler. Producenten kan under ingen omstændigheder holdes ansvarlig i tilfælde af manglende overholdelse af gældende lokale installationsstandarder.
- Hvis der skal udføres andet arbejde end den simple brugervedligeholdelse, der er beskrevet i denne vejledning, skal produktet overdrages til en kvalificeret fagmand.
- Forkert installation og/eller brug kan forårsage alvorlige materielle skader eller alvorlige kvæstelser (muligvis med døden til følge).
- Hvis apparatet har en fejlfunktion, må du ikke forsøge at reparere det selv. Kontakt i stedet en kvalificeret tekniker.
- Hvis du deaktiverer, fjerner eller omgår nogen af de sikkerhedsmekanismer, der er integreret i apparatet, bortfalder garantien automatisk, og det samme gælder brugen af reservedele, der er fremstillet af uautoriserede tredjepartsproducenter.
- Sprøjt ikke insektmiddel eller andre kemikalier (brandfarlige eller ikke-brandfarlige) i retning af apparatet, da det kan beskadige kroppen og forårsage brand.
- Rør ikke ved ventilatoren eller de bevægelige dele, og placer ikke genstande eller fingre i nærheden af de bevægelige dele, når apparatet er i drift. Bevægelige dele kan forårsage alvorlig personskade eller endda død.

### **ADVARSLER I FORBINDELSE MED ELEKTRISKE APPARATER**

- Strømforsyningen til apparatet skal være beskyttet af en dedikeret 30 mA fejlstrømsafbryder (RCD), som overholder de standarder og bestemmelser, der gælder i det land, hvor den er installeret.
- Brug ikke forlængerledninger, når du tilslutter apparatet. Sæt apparatet direkte i en stikkontakt med passende strømforsyning.
- Før du udfører nogen form for arbejde, skal du kontrollere, at:
  - Den spænding, der er angivet på apparatets informationsskilt, svarer til netspændingen.
  - Strømnettet skal være tilpasset apparatets strømbehov og være jordforbundet.
  - Stikket (hvis relevant) er egnet til stikkontakten.
- Apparatet må ikke kobles fra og til strømforsyningen, når det er i brug.
- Træk ikke i netledningen for at afbryde den fra strømforsyningen.
- Hvis strømforsyningsledningen er skadet, skal den erstattes af producenten, dennes servicetekniker eller en lignende kvalificeret person for at undgå farer.
- Der må ikke udføres vedligeholdelses- eller serviceringsarbejde på apparatet med våde hænder, eller hvis apparatet er vådt.
- Før du slutter apparatet til strømforsyningen, skal du kontrollere, at den tilslutningsenhed eller det stik, som apparatet skal tilsluttes, er i god stand og ikke viser tegn på skader eller rust.
- Under uvejr skal apparatet kobles fra strømforsyningen for at forhindre, at det bliver beskadiget af lynnedslag.
- Nedsenk ikke apparatet i vand eller mudder; hold afbryderen væk fra vand.

### **ADVARSLER VEDRØRENDE APPARATER, DER INDEHOLDER R32-KØLEMIDDEL**

- R32-kølemiddel er klassificeret under kategori A2L som let antændeligt.
- Slip ikke R32-væske ud i atmosfæren. Det er fluorholdige drivhusgasser, der er omfattet af Kyoto-protokollen, med et globalt opvarmningspotentiale (GWP) på 675 (europæisk forordning EU 517/2014).
- Apparatet skal opbevares på et godt ventileret sted væk fra alle antændelseskilder.
- Installer enheden udendørs. Installer ikke enheden indendørs eller på et lukket og ikke-ventileret udendørs sted.
- Brug ikke andre midler til at fremskynde afrinnings- eller rengøringsprocessen end dem, der er anbefalet af producenten.
- Apparatet skal opbevares i et rum uden permanente antændelseskilder (f.eks. åben ild, gasapparat i drift eller elektrisk opvarmning i drift).
- Må ikke perforeres eller brændes.
- Bemærk, at R32-kølemiddel kan afgive en vis lugt.
- For at overholde de gældende standarder og regler for miljø og installation, især det franske dekret nr. 2015-1790 og/eller den europæiske forordning EU 517/2014, skal der udføres en lækagetest på kølekredsløbet mindst en gang om året. Denne test skal udføres af en specialist, der er certificeret til at teste køleapparater.
- Opbevar displaystyringen i et tørt område for at beskytte den mod at blive beskadiget af fugt.

### **VEDLIGEHOLDELSE: ADVARSLER VEDRØRENDE APPARATER, DER INDEHOLDER R32-KØLEMIDDEL**

- Når der udføres service på apparatet, skal varmeoverføringsvæskens sammensætning og tilstand kontrolleres, og det skal sikres, at der ikke er spor af kølemiddel.
- Under den årlige forseglingstest af apparatet i overensstemmelse med gældende lovgivning skal høj- og lavtrykskontakterne kontrolleres for at sikre, at de er forsvarligt fastgjort til kølemiddelkredsløbet, og at de afbryder det elektriske kredsløb, når de udløses.
- Under vedligeholdelsesarbejdet skal det sikres, at der ikke er spor af korrosion eller olie omkring kølekomponenterne.
- Rør må ikke loddes eller svejdes, hvis der er kølemiddel i maskinen. Påfyld ikke gas, når du befinder dig i et lukket rum.

### ***Kontrol af området***

- Før der påbegyndes arbejde på systemer, der indeholder brændbare kølemidler, skal der udføres sikkerhedstjek for at garantere en minimal antændelsesrisiko.

### ***Arbejdsprocedure***

- Arbejdet skal udføres i henhold til en kontrolleret procedure for at reducere risikoen for at frigive en brandfarlig gas eller damp under arbejdet.
- Før du begynder at arbejde på kølekredsløbet, skal du stoppe apparatet og vente et par minutter, før du monterer temperatur- og tryksensorerne. Nogle elementer som f.eks. kompressoren og rørene kan opnå temperaturer på over 100 °C og højt tryk med deraf følgende risiko for alvorlige forbrændinger.

### ***Generelt angående arbejdsområdet***

- Alt vedligeholdelsespersonale og andet personale, der arbejder i det omgivende område, skal gøres opmærksom på det udførte arbejde. Arbejde i lukkede områder skal undgås.

### ***Tjek for tilstedeværelse af kølemiddel***

- Området skal analyseres ved hjælp af en egnet kølemiddeldetektor før og under arbejdet, så teknikeren informeres om tilstedeværelsen af en potentielt giftig eller brandfarlig atmosfære. Kontrollér, at det anvendte lækagesøgningssystem er egnet til brug med alle de pågældende kølemidler, dvs. at det ikke forårsager gnister, er korrekt isoleret eller er helt sikkert.

### ***Kontrollér, om der er en brandslukker i umiddelbar nærhed***

- Hvis der skal udføres arbejde på køleudstyret eller en del heraf ved en bestemt temperatur, skal der være egnede brandslukningsmidler inden for rækkevidde. Placer en kemisk brandslukker eller en CO<sub>2</sub>-brandslukker i nærheden af arbejdsområdet.

### ***Ingen antændelseskilde***

- Ingen personer, der udfører arbejde på et kølesystem, som indebærer eksponering af rørene, må bruge nogen form for antændelseskilde, som kan skabe brand- eller eksplosionsfare. Alle mulige antændelseskilder, især cigaretter, må ikke komme inden for en tilstrækkelig omkreds af installations-, reparations-, fjernelses- eller bortskaffelsesstedet i tilfælde af, at der kan frigives kølemiddel til det omgivende rum. Før arbejdet påbegyndes, skal området omkring udstyret undersøges for alle brand- eller antændelsesrisici. Der skal opsættes skilte med "rygning forbudt".

### ***Ventilation af området***

- Før du på nogen måde går ind i enheden for at udføre en vedligeholdelsesopgave, skal du kontrollere, at området er åbent og godt ventileret. Der skal være passende ventilation under hele vedligeholdelsesopgaven, så kølemiddel, der kan slippe ud i atmosfæren, kan spredes sikkert.

### ***Kontrol af køleudstyr***

- Producentens anbefalinger med hensyn til pleje og vedligeholdelse skal altid overholdes. Ved udskiftning af elektriske komponenter skal det kontrolleres, at de anvendte komponenter er af samme type og kategori som dem, der er anbefalet/godkendt af producenten. Hvis du er i tvivl, skal du kontakte producentens tekniske afdeling for at få hjælp.
- Følgende kontroller skal udføres på installationer, der bruger brandfarlige kølemidler:
  - Hvis der anvendes et indirekte kølekredsløb, skal tilstedeværelsen af kølemiddel i det sekundære kredsløb analyseres;
  - Mærkningen på udstyret skal være synlig og læselig; enhver ulæselig mærkning eller skiltning skal udbedres;
  - Slangerne eller komponenterne i kølekredsløbet er installeret på et sted, hvor det er usandsynligt, at de udsættes for stoffer, der kan korrodere de komponenter, der indeholder kølemiddel, medmindre komponenterne er fremstillet af materialer, der typisk er korrosionsbestandige eller korrekt beskyttet mod en sådan korrosion.

### ***Kontrol af elektriske komponenter***

- Reparation og vedligeholdelse af elektriske komponenter skal omfatte indledende sikkerhedstjek og procedurer for inspektion af komponenter. Hvis der opstår en defekt, som kan bringe sikkerheden i fare, må der ikke tilsluttes strøm til kredsløbet, før problemet er helt løst. Hvis fejlen ikke kan udbedres med det samme,

og hvis vedligeholdelsesarbejdet skal fortsætte, skal der findes en passende midlertidig løsning. Dette skal rapporteres til udstyrets ejer, så alle berørte personer bliver gjort opmærksomme på det.

- Reparation og vedligeholdelse af elektriske komponenter skal omfatte følgende indledende sikkerhedstjek:
  - Kondensatorerne skal aflades: Dette skal udføres sikkert for at forhindre enhver risiko for antændelse;
  - Ingen elektriske komponenter eller spændingsførende ledninger må eksponeres under opladning, eftersyn eller tømning af systemet;
  - Systemet skal altid være jordforbundet.

#### ***Reparation af isolerede komponenter***

- Ved reparation af isolerede komponenter skal alle strømkilder afbrydes fra det udstyr, som arbejdet udføres på, før isoleringsdækslet fjernes osv. Hvis udstyret skal være strømførende under vedligeholdelsesarbejdet, skal en lækagedetektor løbende overvåge om der er lækage på det mest kritiske punkt for at rapportere enhver potentielt farlig situation.
- Man skal være særlig opmærksom på følgende punkter for at sikre, at huset ikke ændres så meget, at det påvirker beskyttelsesgraden, når der udføres arbejde på de elektriske komponenter. Dette omfatter beskadigede ledninger, for mange tilslutninger, terminaler, der ikke er i overensstemmelse med de oprindelige specifikationer, beskadigede tætninger, forkert installation af kabelforskrutninger osv.
- Sørg for, at apparatet er korrekt fastgjort.
- Sørg for, at tætningerne eller isoleringsmaterialerne ikke er forringede i en sådan grad, at de ikke længere forhindrer en brændbar atmosfære i at trænge ind i kredsløbet. Reservedele skal være i overensstemmelse med producentens specifikationer.

#### ***Reparation af egensikre komponenter***

- Der må ikke tilføres permanent elektrisk kapacitet eller induktionsladning til kredsløbet uden at kontrollere, at det ikke overskrider den tilladte spænding og intensitet for det anvendte udstyr.
- Typisk sikre komponenter er de eneste typer, hvor på der kan udføres arbejde i nærheden af en brandfarlig atmosfære, når de er under spænding. Testapparatet skal falde ind under en passende klassificering.
- Udskift kun komponenter med dele, der er specificeret af producenten. Andre dele kan få kølemidlet til at lække og antænde i atmosfæren.

#### ***Ledninger***

- Kontrollér, at ledningerne ikke viser tegn på slitage, korrosion, for højt tryk, vibrationer, skærekanter eller andre skadelige miljøpåvirkninger. Kontrollen skal også tage højde for virkningerne af ældning eller kontinuerlige vibrationer forårsaget af kilder som kompressorer eller ventilatorer.

#### ***Detektering af brændbart kølemiddel***

- Der må under ingen omstændigheder anvendes potentielle antændelseskilder til at søge efter eller opdage kølemiddellækager. Der må ikke bruges en halogenbrænder (eller andre detektorer, der bruger en åben flamme).
- Følgende metoder til lækagesøgning anses for at være acceptable for alle kølesystemer.
- Elektroniske lækagedetektorer kan bruges til at detektere kølemiddellækager; men i tilfælde af brændbare kølemidler er følsomhedsniveauet muligvis ikke passende, eller det kan være nødvendigt med en genkalibrering. (Detektionsudstyret skal kalibreres i et område uden kølemiddel). Kontrollér, at detektoren ikke er en potentiel antændelseskilde, og at den er egnet til det anvendte kølemiddel. Lækagesøgningsudstyret skal indstilles til en procentdel af kølemidlets LFL og skal kalibreres i henhold til det anvendte kølemiddel. Den passende gasprocent (højst 25 %) skal bekræftes.
- Lækagesøgningsvæsker er også velegnede til brug med de fleste kølemidler, men brug af klorholdige rengøringsmidler skal undgås, da de kan reagere med kølemidlet og forårsage korrosion af kobberrørene.
- Hvis der er mistanke om en lækage, skal al åben ild fjernes/slukkes.
- Hvis der opdages en kølemiddellækage, som kræver lodning, skal hele mængden af kølemiddel fjernes fra systemet eller isoleres (ved hjælp af afspæringsventiler) i en del af systemet, der er placeret væk fra lækagen.

#### ***Fjernelse og udledning***

- Når man får adgang til kølekredsløbet for at udføre reparationer eller af andre årsager, skal man anvende konventionelle procedurer. For brændbare kølemidler skal anbefalingerne dog overholdes for at tage hensyn til produktets brændbarhed. Følgende procedure skal følges:

- Fjern kølemidlet;
- Rens kredsløbet med en inert gas (valgfrit for A2L);
- Dræn (valgfrit for A2L);
- Rens med en inert gas (valgfrit for A2L);
- Åbn kredsløbet ved at skære eller lodde.
- Kølemiddelpåfyldningen skal genvindes i egnede genvindingscylindre. For apparater, der indeholder andre brandfarlige kølemidler end A2L-kølemidler, skal systemet udluftes med nitrogen uden ilt for at gøre apparatet egnet til at modtage brandfarlige kølemidler. Det kan være nødvendigt at gentage denne proces flere gange. Trykluft eller ilt må ikke bruges til at rense kølesystemer.

#### ***Procedurer for påfyldning***

- Kontrollér, at vakuumpumpens udløb ikke er placeret i nærheden af en potentiel antændelseskilde, og at der er sørget for ventilation.
- Ud over konventionelle opladningsprocedurer gælder følgende krav.
- Kontrollér, at der ikke er mulighed for krydskontaminering mellem de forskellige kølemidler når der bruges af påfyldningsudstyr. Slangere eller ledninger skal være så korte som muligt for at reducere mængden af kølemiddel i dem.
- Cylinderne skal opbevares i en passende position i overensstemmelse med instruktionerne.
- Kontrollér, at kølesystemet er jordforbundet, før systemet påfyldes kølemiddel.
- Mærk systemet, når påfyldningen er afsluttet (hvis det ikke allerede er tilfældet).
- Vær meget opmærksom på ikke at overfylde kølesystemet.
- Før systemet genopfyldes, skal der udføres en tryktest med en egnet spulegas. Systemet skal undersøges for at sikre, at der ikke er nogen lækager efter opladningen og før ibrugtagning. Der skal udføres en opfølgende lækagetest, før stedet forlades.

#### ***Afmontering***

- Før afmontering skal teknikeren gøre sig bekendt med udstyret og dets specifikationer. Vi anbefaler, at alle kølemidler genvindes omhyggeligt. Inden da skal der udtages olie- og kølemiddelprøver, hvis der skal foretages analyser, inden det genvundne kølemiddel anvendes på anden vis. Kontrollér, at der er strømforsyning, før arbejdet påbegyndes.
  1. Sæt dig ind i udstyret, og hvordan det fungerer.
  2. Isolér systemet elektrisk.
  3. Kontrollér følgende punkter, før arbejdet påbegyndes:
    - Mekanisk håndteringsudstyr er tilgængeligt, hvis det er nødvendigt for at håndtere kølemiddelcylinderne;
    - Alt personligt beskyttelsesudstyr er tilgængeligt og bruges korrekt;
    - Genvindingsprocessen følges til enhver tid af en kompetent person;
    - Genvindingscylinderne og -udstyret overholder de relevante standarder.
  4. Tøm kølesystemet, hvor det er muligt.
  5. Hvis der ikke kan skabes et vakuum, skal du installere en manifold for at kunne fjerne kølemidlet fra forskellige steder i systemet.
  6. Sørg for, at cylinderen er placeret på vægten, før du påbegynder genvindingen.
  7. Start genvindingseenheden, og brug den i henhold til instruktionerne.
  8. Overfyld ikke cylinderne (højst 80 % af volumen må være fyldt med væske).
  9. Overskrid ikke cylinderens maksimale arbejdsstryk, heller ikke midlertidigt.
  10. Når cylinderne er fyldt korrekt, og processen er afsluttet, skal du kontrollere, at flaskerne og udstyret hurtigt fjernes fra stedet, og at de alternative afspærringsventiler på udstyret er lukket.
  11. Det genvundne kølemiddel må ikke fyldes i et andet kølesystem, medmindre det er blevet rengjort og inspiceret.

#### **FEJLFINDING**

- Al lodning skal udføres af kvalificerede loddearbejdere.
- Udskiftningsrør skal altid være fremstillet af kobber i overensstemmelse med standarden NF EN 12735-1.
- Lækagesøgning; tryktest:
  - Brug aldrig ilt eller tør luft, risiko for brand eller eksplosion,



- Brug tør nitrogen eller den blanding af nitrogen og kølemiddel, der er angivet på informationspladen,
  - Testtrykket for både høj- og lavtrykskredsløbet må ikke overstige 42 bar i de tilfælde, hvor apparatet er udstyret med den valgfrie trykmåler.
- Højtrykskredsløbets rør er lavet af kobber og har en diameter, der er lig med eller større end 1"5/8. Et certifikat som angivet i §2.1 i overensstemmelse med standarden NF EN 10204 skal rekvireres fra leverandøren og arkiveres i installationens tekniske fil.
  - Tekniske data angående sikkerhedskravene i de forskellige gældende direktiver er angivet på informationsskiltet. Alle disse oplysninger skal registreres i apparatets installationsmanual, som skal opbevares i dets tekniske fil: model, kode, serienummer, maksimal og minimal OT, OP, produktionsår, CE-mærkning, producentens adresse, kølemiddel og vægt, elektriske parametre, termodynamisk og akustisk ydeevne.

### MÆRKNING

- Udstyret skal mærkes, så det fremgår, at det er ude af drift, og at kølemidlet er blevet aftappet.
- Etiketten skal dateres og underskrives.
- For apparater, der indeholder et brandfarligt kølemiddel, skal det kontrolleres, at der er anbragt etiketter på udstyret, som angiver, at det indeholder et brandfarligt kølemiddel.

### GENVINDING

- Når kølemidlet aftappes i forbindelse med vedligeholdelse eller nedlukning, skal man følge bedste praksis for at aftappe alt kølemidlet på en sikker måde.
- Når du overfører kølemiddel til en cylinder, skal du sørge for at bruge en genvindingscylinder, der er kompatibel med kølemidlet. Sørg for, at der er det korrekte antal cylindre til rådighed til at genvinde alt kølemidlet. Alle anvendte cylindre skal være beregnet til genvinding af kølemiddel og skal være mærket til dette specifikke kølemiddel. Cylindrene skal være udstyret med en vakuumventil og en stopgate i god stand. Tomme opsamlingscylindre drænes og afkøles, hvor det er muligt, før de genanvendes.
- Genvindingsudstyret skal være i god stand, brugsanvisningen skal være inden for rækkevidde, og udstyret skal være kompatibelt til brug med det pågældende kølemiddel, herunder eventuelt et brændbart kølemiddel. Desuden skal der være et sæt kalibrerede vægte til rådighed, og de skal være i god stand. Rørsystemet skal være komplet, uden lækager eller frakoblede forbindelser, og det skal være i god stand. Før du bruger genvindingsenheden, skal du kontrollere, at den er i god stand, at den er godt vedligeholdt, og at de tilhørende elektriske komponenter er forseglede, så der ikke er risiko for brand i tilfælde af, at der frigives kølemiddel. Hvis du er i tvivl, skal du kontakte producenten.
- Det genvundne kølemiddel skal sendes til kølemiddelleverandøren i sin genvindingscylinder med et notat om overførsel af affald. Bland ikke forskellige kølemidler i genvindingsenhederne og især ikke i cylindrene.
- Hvis kompressoren er blevet afmonteret, eller hvis der er blevet aftappet olie fra kompressoren, skal du kontrollere, at kølemidlet er blevet fjernet helt for at forhindre, at det blandes med smøremidlet. Dræningsprocessen skal udføres, før kompressoren sendes tilbage til leverandøren. Kun den elektriske varmer i kompressorhuset kan bruges til at fremskynde denne proces. Denne operation kan udføres sikkert, når først alle væsker i systemet er blevet drænet.



### GENBRUG

Dette symbol, der kræves i EU direktivet DEEE 2012/19/EU (direktiv om affald af elektrisk og elektronisk udstyr) betyder, at apparatet ikke må bortskaffes med husholdningsaffaldet. Det skal indsamles selektivt med henblik på genbrug, genanvendelse eller omdannelse. Hvis det indeholder stoffer, der kan være skadelige for miljøet, vil disse blive elimineret eller neutraliseret. Kontakt din forhandler for at få oplysninger om genbrug.

# MINI HEATER

## Bruger- og servicemanual

### INDEKS

1. Specifikationer
2. Oplysninger angående transport
3. Mål
4. Installation og tilslutning
5. Elektrisk ledningsføring
6. Betjening af displaystyringen
7. Fejlfinding
8. Split-tegning
9. Vedligeholdelse
10. Tilbehør



**VIGTIGT:** Denne manual indeholder alle de nødvendige oplysninger om brug og installation af din varmepumpe.

Installatøren skal læse manualen og følge instruktionerne for implementering og vedligeholdelse.

Installatøren er ansvarlig for installationen af produktet og skal følge alle producentens anvisninger og de gældende regler. Forkert installation vil gøre garantien ugyldig.

Producenten fraskriver sig ethvert ansvar for skader forårsaget af tredjeparter, indtrængen af genstande og fejl som følge af installation, der ikke følger de manuelle retningslinjer. Enhver brug, der ikke er i overensstemmelse med producentens hensigt, gør garantien ugyldig.

Tak, fordi du bruger Mini Heater til opvarmning af din pool, den opvarmer dit poolvand og holder den konstante temperatur, når den omgivende lufttemperatur er over 12 °C

# 1. Specifikationer

## 1.1 Tekniske data for poolvarmepumper

Element	HPM20	HPM30	HPM40
Kode	71245	71258	71606
<b>* Varmekapacitet ved luft 28 °C, vand 28 °C, luftfugtighed 80 %</b>			
Opvarmningskapacitet (kW)	2,5	4,2	5,5
Strømforbrug (kW)	0,59	1	1,31
COP	4,2	4,2	4,2
<b>* Varmekapacitet ved luft 15 °C, vand 26 °C, luftfugtighed 70 %</b>			
Opvarmningskapacitet (kW)	1,9	3,2	4,2
Strømforbrug (kW)	0,56	0,91	1,2
COP	3,4	3,5	3,5
<b>* Generelle data</b>			
Spænding (V)	220-240V~50Hz/1PH		
Nominel strøm (A)	2,6	4,4	5,8
Sikringsstrøm (A)	7,5	10	16
Maksimal poolvolumen**(m <sup>3</sup> )	<20	<30	<40
Minimal og anbefalet vandgennemstrømning (m <sup>3</sup> /t)	2	2	2,5
Maksimalt/minimalt driftstryk (Mpa)	4,2/0,05		
Trykfald for vand (Kpa)	15	15	15
Varmeveksler	Titanium-veksler i PVC		
Beskyttelsesklassificering	IPX4		
Vandrør ind-ud (mm)	38/32		
Støjniveau (10 m) dB(A)	48	46	46
Støjniveau (1 m)	57	55	55
Type kølemiddel (R32)	160	290	400
<b>* Mål/vægt</b>			
Nettovægt (kg)	18	26	30
Bruttovægt (kg)	19	28,5	33
Nettomål (mm)	313*364,5*428,5	435*436,5*511,5	515*487*541,5
Mål på emballage (mm)	380*455*500	496*525*575	570*570*605

\* Ovenstående data kan ændres uden varsel.

\*\* Tjek vores emballage eller hjemmeside for flere detaljer.

## 2. Oplysninger angående transport

### 2.1 Levering af emballagen



Til transport fastgøres varmepumperne på pallen og dækkes med en papkasse. For at undgå skader skal varmepumpen transporteres i sin emballage.

Det er modtagerens ansvar at underrette om eventuelle skader, der opstår under leveringen, inden for 48 timer. Der kan ikke påtages noget ansvar, når der er blevet kvitteret for enheden.

### 2.2 Opbevaringsforhold



\* Lageret skal være lyst, rummeligt, åbent, godt ventileret, have ventilationsudstyr og ingen brandkilde.

\* Varmepumpen skal opbevares og overføres i lodret position i dens originale emballage. Hvis det ikke er tilfældet, kan den ikke betjenes straks, da der i så fald skal gå mindst 24 timer, før der kan tændes for strømmen til enheden.

### FORBUDT



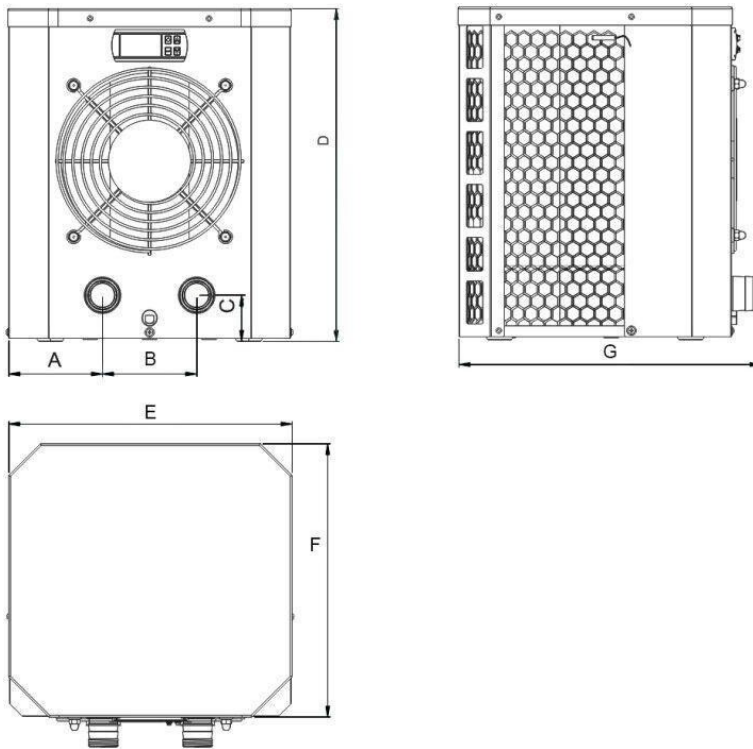
### 2.3 Overførsel til den endelige placering

\* Under udpakningen af produktet og overførslen fra pallen til det endelige installationssted er det nødvendigt at holde varmepumpen i lodret position.

\* Rygning og brug af ild er forbudt i nærheden af R32 apparatet.

Vandtilslutningen må ikke bruges som bærehåndtag. Producenten påtager sig ikke ansvaret i tilfælde af skader på vandrørene.

### 3. Mål



Element/(mm)	A	B	C	D	E	F	G
<b>HPM20</b>	90,4	130	50	428,5	313	300	364,5
<b>HPM30</b>	116,5	200	50	511,5	435	365	436,5
<b>HPM40</b>	134,6	260	50	541,5	515	421	487

## 4. Installation og tilslutning

### Vigtigt:

Følgende regler skal overholdes, når du installerer varmepumpen:

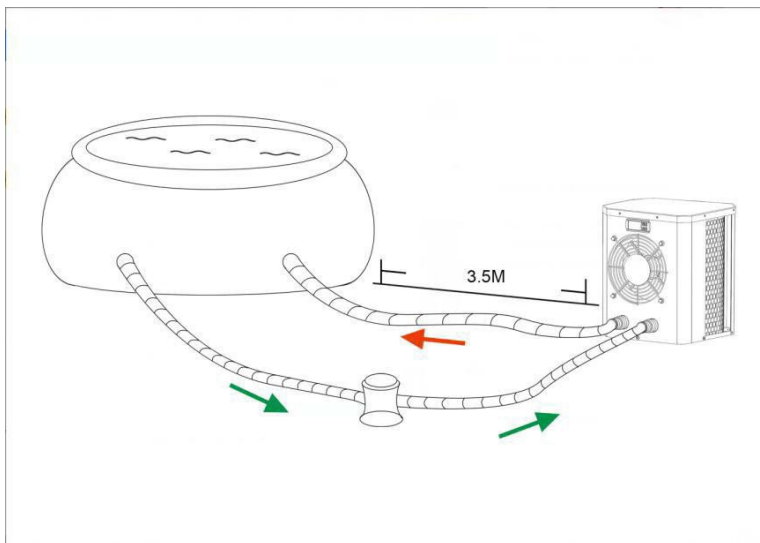
1. Enhver tilsætning af kemikalier skal ske i rørene, der er placeret **nedstrøms** for varmepumpen.
2. Hold altid varmepumpen lodret. Hvis enheden har været holdt i en vinkel, skal du vente mindst 24 timer, før du tilslutter hovedstrømmen til varmepumpen.

### 4.1 Varmepumpens placering

Enheden vil fungere korrekt på enhver ønsket placering, så længe følgende tre ting er til stede:

- 1. Frisk luft** – **2. Elektricitet** – **3. Filtre til poolen**

Enheden kan installeres på stort set alle **udendørs** steder, så længe de angivne minimumsafstande til andre genstande overholdes (se tegningen nedenfor). Rådfør dig med din installatør om installation med en indendørs pool. Installation på et blæsende sted er slet ikke noget problem.



**VIGTIGT:** Installer aldrig enheden i et lukket rum med en begrænset luftmængde, hvor luften fra enheden skal genbruges, eller tæt på buske, der kan blokere luftindtaget. Sådanne placeringer forringer den kontinuerlige tilførsel af frisk luft, hvilket resulterer i reduceret effektivitet og muligvis forhindrer tilstrækkelig varmeeffekt.

### 4.2 Indledende drift

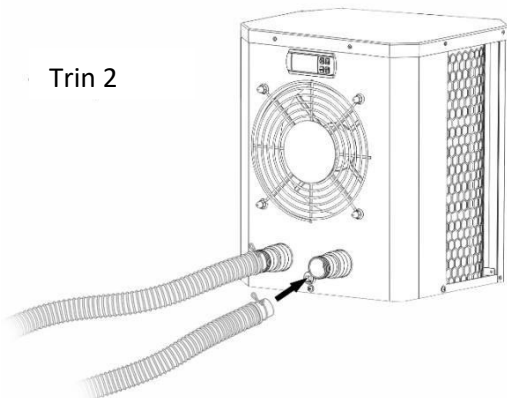
**Bemærk:** For at kunne opvarme vandet i poolen (eller spabadet) skal filterpumpen køre, så vandet cirkulerer gennem varmepumpen. Hvis vandet ikke strømmer igennem, vil varmepumpen udløse overophedningsbeskyttelsen og forårsage en nedlukning.

### 4.3 Slangetilslutning

Trin 1



Trin 2



#### Bemærk:

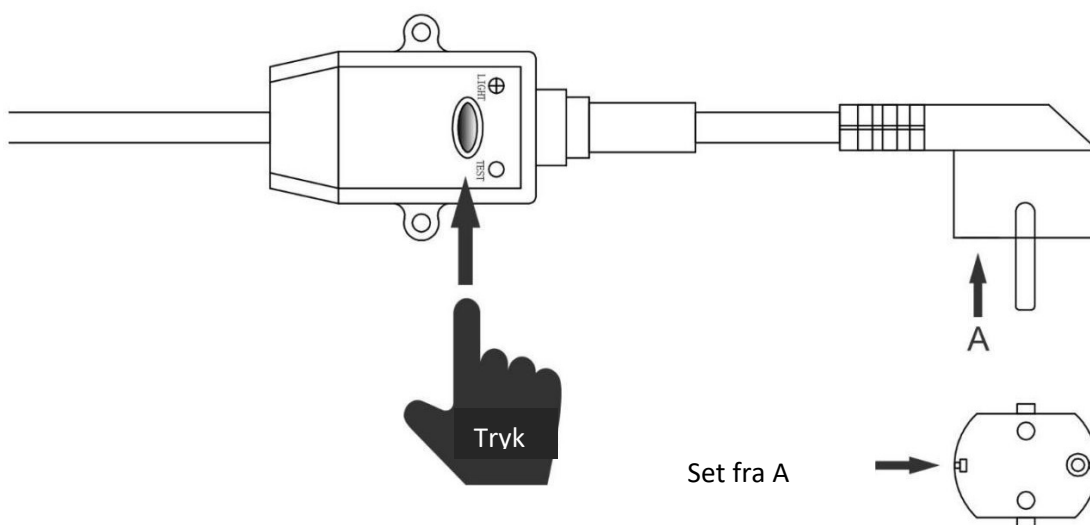
Fabrikken leverer kun varmepumpen. Alle andre komponenter, inklusive to slanger, skal leveres af brugeren eller installatøren.

### 4.4 Elektrisk tilslutning

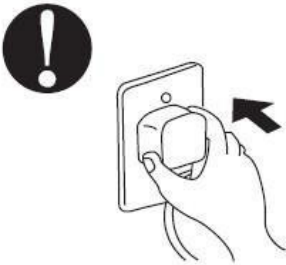
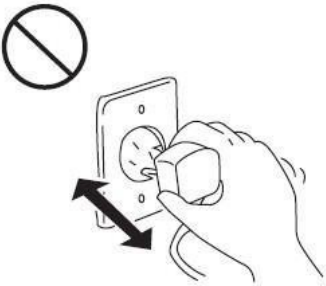
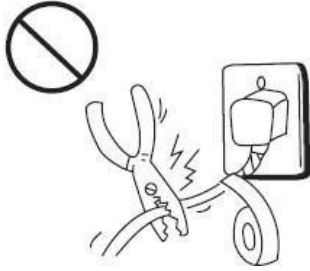
Før du tilslutter enheden, skal du kontrollere, at forsyningsspændingen stemmer overens med

varmepumpens driftsspænding. RCD-stikket er inkluderet i strømkablet, som kan give elektrisk beskyttelse.

Testknappen er beregnet til at kontrollere afbryderens kapacitet.



### Vigtigt:

<p><b>Sørg for, at strømstikket sidder godt fast</b></p> <p>Hvis stikket ikke sidder ordentligt fast, kan det forårsage elektrisk stød, overophedning eller brand.</p> 	<p><b>Træk aldrig stikket ud under drift</b></p> <p>Ellers kan det medføre elektrisk stød eller brand på grund af overophedning.</p> 	<p><b>Brug aldrig beskadigede elektriske ledninger eller uspecificerede elektriske ledninger.</b></p> <p>Det kan forårsage elektrisk stød eller brand.</p> 
--	--	--

Når alle tilslutninger er foretaget og kontrolleret, skal du udføre følgende procedure:

1. Tænd for filterpumpen. Tjek for lækager, og kontroller, at der strømmer vand til og fra poolen.
2. Tilslut strømmen til varmepumpen, og tryk på On/Off-knappen på det elektroniske kontrolpanel. Enheden starter op, når tidsforsinkelsen er udløbet (se nedenfor).
3. Efter et par minutter skal du kontrollere, om luften, der blæser ud af enheden, er køligere.
4. Når filterpumpen slukkes, bør enheden også slukke automatisk.
5. Lad varmepumpen og filterpumpen køre 24 timer i døgnet, indtil den ønskede vandtemperatur er nået. Varmepumpen holder op med at køre på dette tidspunkt. Herefter genstarter den automatisk (så længe filterpumpen kører), hver gang swimmingpoolens vandtemperatur falder 2 grader under den indstillede temperatur (hvis du f.eks. har sat temperaturen på 28 °C, stopper varmepumpen, når temperaturen er 28 °C). Mens den genstarter, når vandets temperatur er nede på 26 °C).

Afhængigt af den oprindelige temperatur på vandet i swimmingpoolen og lufttemperaturen kan det tage flere dage at opvarme vandet til den ønskede temperatur. Et godt poolovertræk kan i høj grad reducere den nødvendige tid.

**Tidsforsinkelse** - Varmepumpen har en indbygget opstartsforinkelse på 3 minutter for at beskytte kredsløbet og undgå overdreven slitage på den elektriske kontaktor. Enheden genstarter automatisk, når denne tidsforsinkelse er udløbet. Selv en kort strømafbrydelse vil udløse denne tidsforsinkelse og forhindre enheden i at genstarte med det samme. Yderligere strømafbrydelser i løbet af denne forsinkelsesperiode påvirker ikke forsinkelsens varighed på 3 minutter.

#### **4.5 Kondensering**

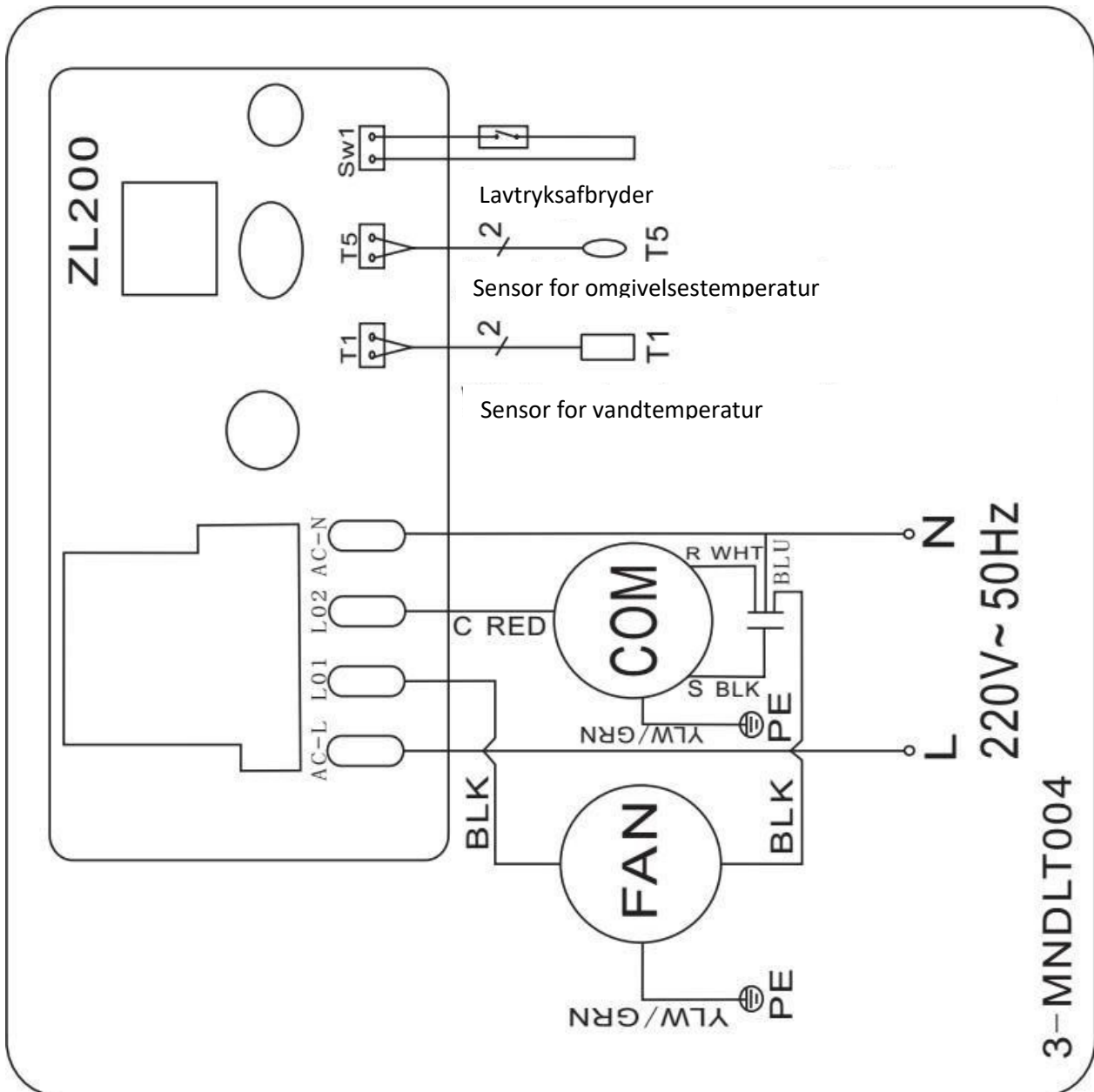
Luften, der suges ind i varmepumpen, afkøles af varmepumpens drift til opvarmning af poolvandet, hvilket kan forårsage kondens på fordamperens lameller. Mængden af kondens kan være så meget som flere liter i timen ved høj luftfugtighed. Kondensatet løber ud af bunden af varmepumpen. Dette betragtes nogle gange fejlagtigt som en vandlækage. .



## 5. Elektrisk ledningsføring

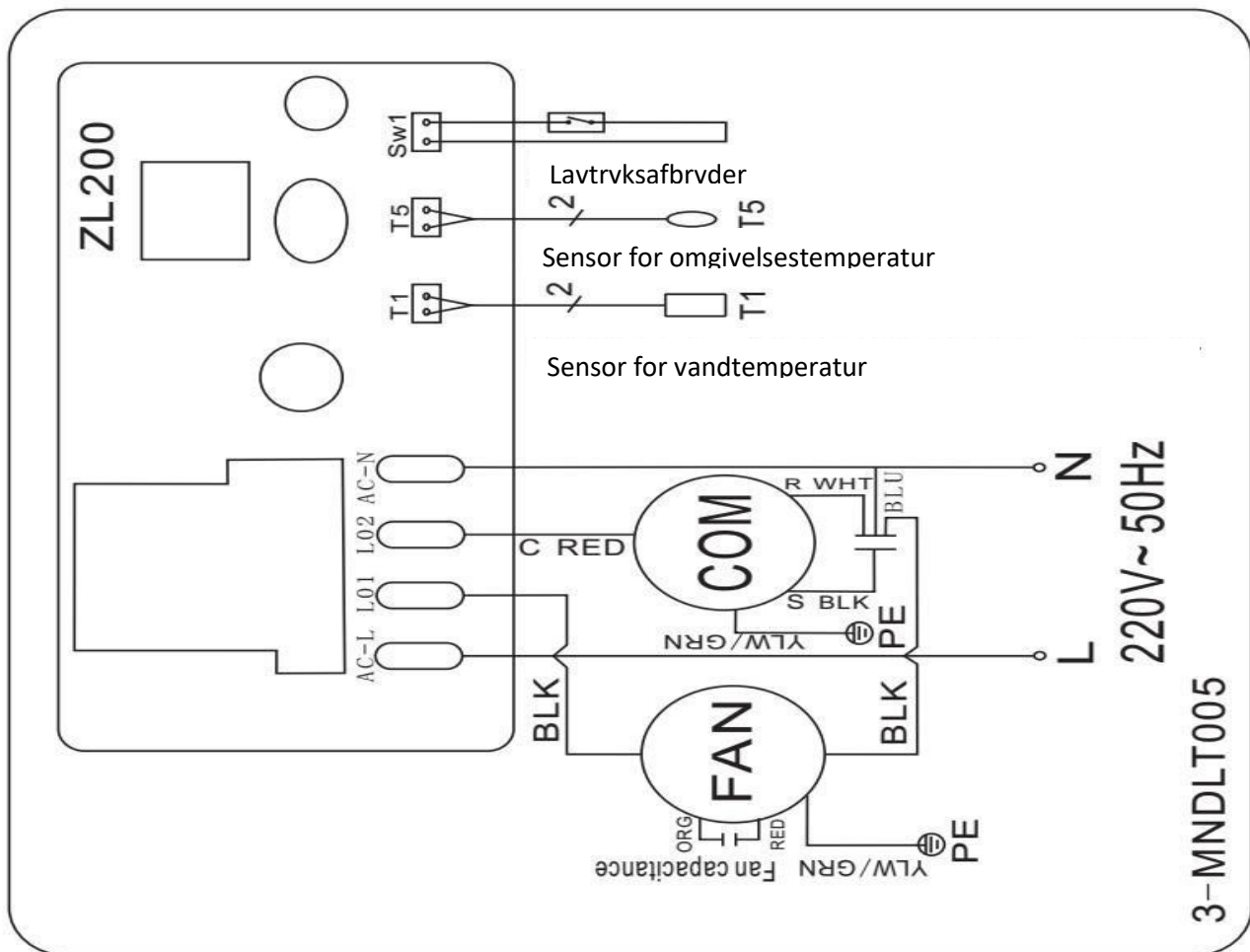
### 5.1 Ledningsdiagram for varmepumpe til swimmingpool

Kode; HPM20



## 5.2 Ledningsdiagram for varmepumpe til swimmingpool

Kode; HPM30/HPM40



### BEMÆRK:

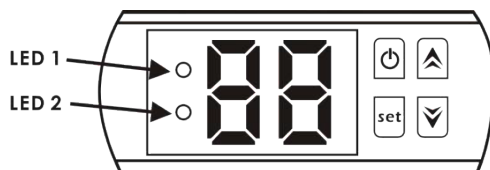
(1) Ovenstående elektriske ledningsdiagram er kun til reference, og du skal være opmærksom på, at maskinen har lagt ledningsdiagrammet ud.

(2) Swimmingpoolens varmepumpe skal tilsluttes jordledning, selvom enhedens varmeveksler er elektrisk isoleret fra resten af enheden. Det er stadig nødvendigt at jordforbinde enheden for at beskytte dig mod kortslutninger inde i enheden. Fastgørelse er også påkrævet.

**Frakobling:** En afbryder skal være placeret inden for synsvidde af og let tilgængelig fra enheden (afbryder, sikret eller ikke-sikret kontakt). Dette er almindelig praksis på varmepumper til erhverv og boliger. Det forhindrer fjernaktivering af uovervåget udstyr og gør det muligt at slukke for strømmen på enheden, mens den serviceres.

## 6. Betjening af displaystyringen


### 6.1 Knapperne på LED-ledningsstyringen




Når varmepumpen kører, viser LED-displayet vandets indløbstemperatur.





LED 1 er tændt, når kompressoren kører. LED 2 er tændt, hvis der er fejl på enheden.

### 6.2 Tænd/sluk for varmepumpen

Tryk på  for at tænde for varmepumpen, LED-displayet viser vandets indstillingstemperatur i 5 sekunder og derefter vandets indløbstemperatur.


Tryk på  igen for at slukke for varmepumpen.

### 6.3 Indstil vandets temperatur

Tryk på  eller  direkte for at justere vandtemperaturen (område: 10-42 °C). Tryk på  eller  for at gemme indstillingen og afslutte.

**BEMÆRK:** Varmepumpen kan kun køre, hvis vandkredsløbet/filtreringssystemet kører.

### 6.4 Kontrol af parametre

Tryk på , for at gå ind i parameterkontrollen, tryk på  eller  for at vælge koden d0/d1, tryk  igen, så vises den målte værdi. Tryk til sidst på  for at afslutte.

Kode	Parameter
d0	Omgivelsestemperatur
d1	Vandtemperatur

**Bemærk:** Det er ikke muligt for slutbrugere at indstille parameterdata.

## 7. Fejlfinding

### 7.1 Fejlkode på LED-styringen

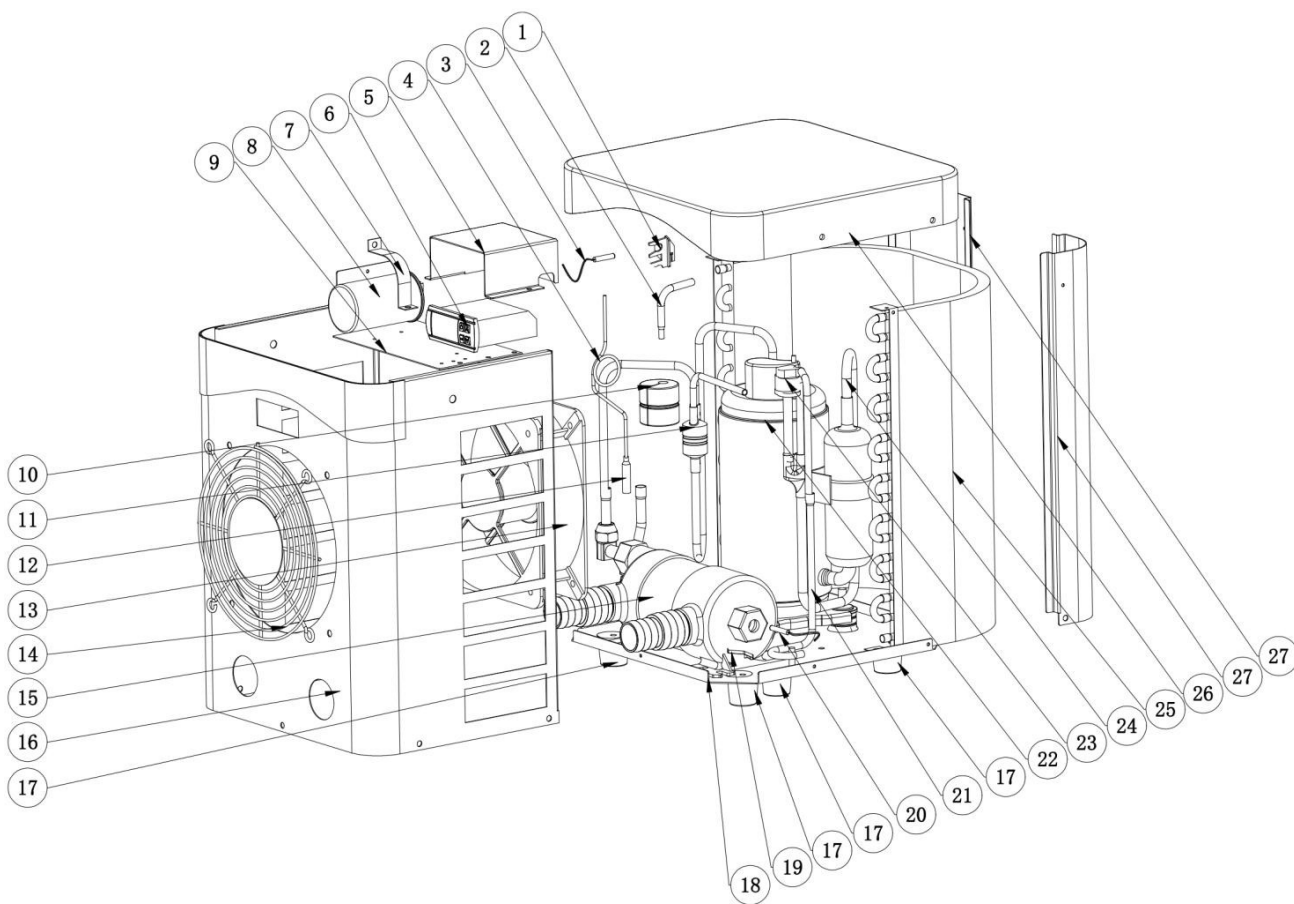
Funktionsfejl	Kode	Årsag	Afhjælpning
For lav omgivelsestemperatur temperaturbeskyttelse	P0	1. Omgivelsestemperaturen er under 12 °C 2. Fejl i styring.	1. Vent på, at den omgivende temperatur stiger til 13 °C. 2. Udskift den nye styring.
Fejl i vandtemperatursensoren	P1	Åbent kredsløb eller kortslutning i vandtemperatursensoren.	Udskift den nye vandtemperatursensor .
Fejl i sensor for omgivelsestemperatur	P2	Åbent kredsløb eller kortslutning i sensor for omgivelsestemperatur.	Udskift den nye sensor for omgivelsestemperatur.
Beskyttelse mod lavt tryk	EL	1. Lavtryksafbryder frakoblet eller fejl. 2. Gaslækage.	Det skal repareres af professionelle teknikere.

## 7.2 Andre funktionsfejl og afhjælpninger (Ingen visning på LED-ledningsstyring)

Funktionsfejl	Observation	Årsag	Afhjælpning
Varmepumpen kører ikke	LED-ledningsstyring viser ikke noget.	Ingen strømforsyning.	Tjek kabel og kredsaftbryder, hvis den er tilsluttet.
	LED-ledningsstyringen viser den faktiske vandtemperatur.	1. Vandtemperaturen når op på indstillingsværdien, HP under konstant temperaturstatus. 2. Varmepumpen er lige begyndt at køre.	1. Kontrollér indstillingen af vandtemperaturen. 2. Start varmpumpen efter et par minutter.
Kører kortvarigt	LED viser den faktiske vandtemperatur, ingen fejlkode vises.	1. Ventilatoren kører IKKE. 2. Luftventilationen er ikke tilstrækkelig. 3. Der er ikke nok kølemiddel.	1. Kontrollér kabelforbindelserne mellem motor og ventilator, skal de om nødvendigt udskiftes. 2. Kontroller placeringen af varmpumpeenheden, og fjern alle forhindringer for at skabe god luftventilation. 3. Udskift eller reparer varmpumpeenheden. Den skal repareres af en professionel tekniker.
Pletter af vand	Vandpletter på varmpumpeenheden.	1. Støbning af beton. 2. Vandlækage.	1. Ingen handling. 2. Kontrollér titaniumvarmeveksleren omhyggeligt, hvis den er defekt.

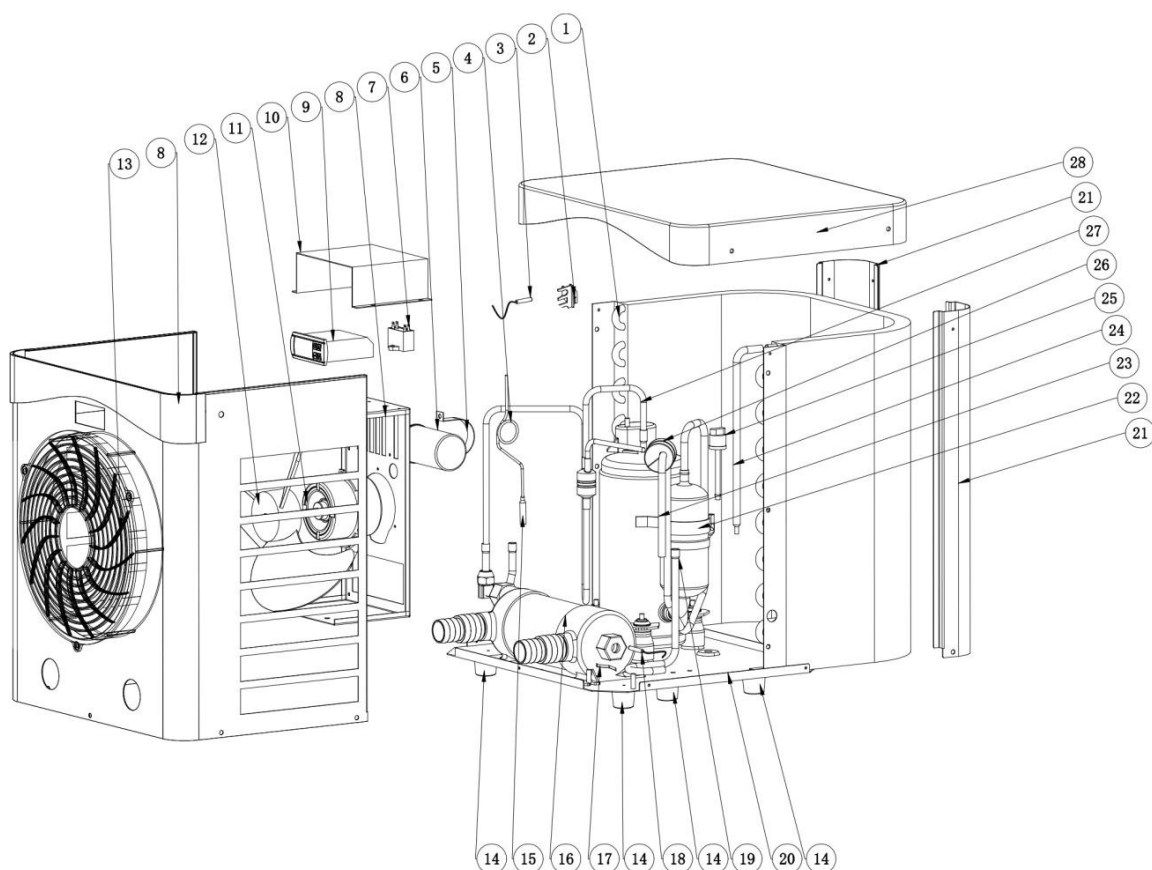
## 8. Split-tegning

Enhed: HPM20



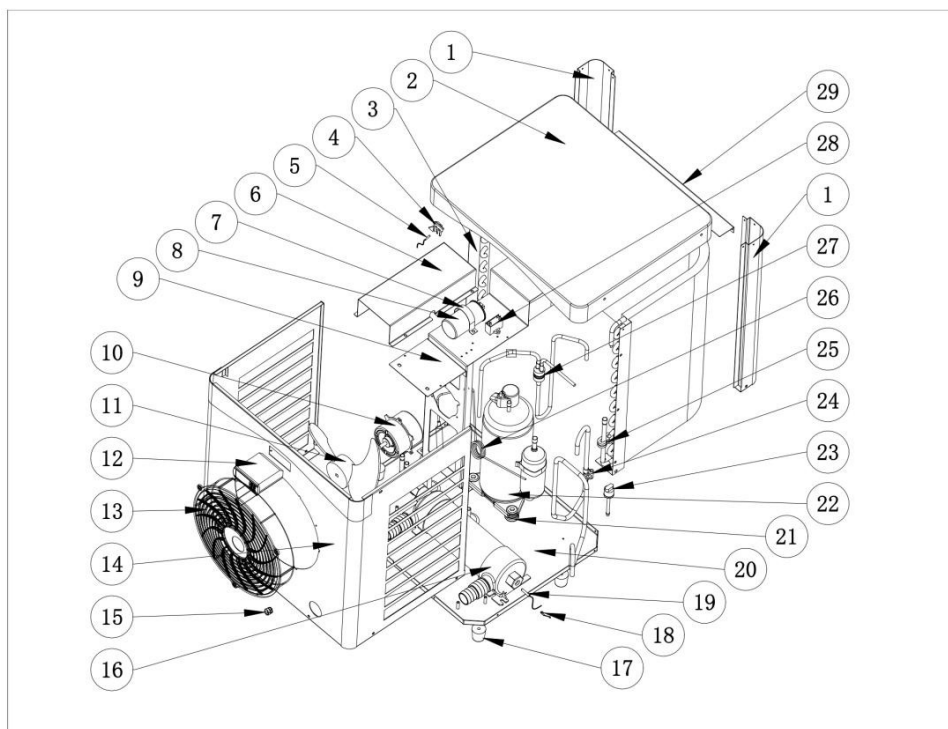
Nr.	Reservedele	HPM20	Nr.	Reservedele	HPM20
1	Omgivende temp. Sensorclips	102040891	15	Titanium-veksler	102040891
2	Kobberrør	108680047	16	Frontpanel	108680047
3	Omgivende temp. Sensor T5	136020168	17	Gummifødder	136020168
4	Kapillar	108680045	18	Sokkel	108680045
5	Elektrisk boks	108010025	19	Clips	108010025
6	Styring	117110068	20	Vand ind temp. sensor T1	117110068
7	Kompressorens kapacitans clips	113050123	21	Rør til opsamling af gas	113050123
8	Kompressorens kapacitans	101000233	22	Kompressor	101000233
9	Ventilatormotorens toplade	116000091	23	Lavtryksafbryder	116000091
10	Stødsikker gummihammer	113010300	24	Udstødningsrør	113010300
11	Rør til gasretur	103000236	25	Fordamper	103000236
12	Kobberrør	133400001	26	Topdæksel	133400001
13	Ventilatormotor-modul	108680046	27	Søjle	108680046
14	Frontgitter				

Enhed: HPM30



Nr.	Reserve dele	HPM30	Nr.	Reserve dele	HPM30
1	Fordamper	103000237	15	Kobberrør	113100027
2	Omgivende temp. sensorclips	133020010	16	Titanium-veksler	102040900
3	Omgivende temp. sensor T5	117110079	17	Clips	108010025
4	Kapillar	109000038	18	Vand ind temp. sensor T1	117110068
5	Kompressorens kapacitans	108010006	19	Rør til opsamling af gas	113050125
6	Kompressorens kapacitans	111000011	20	Sokkel	108690033
7	Ventilator kondensator	111000034	21	Søjle	108690048
8	Frontpanel-modul	108690047	22	Kompressor	101000232
9	Styring	117020189	23	Rør til gasretur	113020467
10	Elektrisk boks	108690015	24	Kobberrør	113420129
11	Ventilator motor	112000054	25	Lavtryksafbryder	116000091
12	Ventilatorblad	132000024	26	Stødsikkert gummi	136020026
13	Frontgitter	133020052	27	Udstødningsrør	113010351
14	Gummifødder	136020168	28	Topdæksel	133330004

Enhed: HPM40



Nr.	Reserve dele	HPM40	Nr.	Reserve dele	HPM40
1	Søjle	108950009	16	Titanium-veksler	117020363
2	Topdæksel	133440001	17	Gummifødder	136020168
3	Fordamper	103000343	18	Vekslertemperatur	108010025
4	Sensor for omgivelsestemperatur	133020010	19	Vand ind temp. sensor T1	117110068
5	Vand ind temp. sensor T1	117110068	20	Sokkel	108950007
6	Elektrisk boks	108950006	21	Kompressorgummifødder	101000241
7	Kompressorens kapacitans	108010006	22	Kompressor	101000241
8	Kompressorens kapacitans	111000012	23	Lavtryksafbryder	116000091
9	Ventilatormotorbeslag	108950010	24	Rør til gasretur	113020602
10	Ventilatormotor	112000079	25	Gummiblok	136020018
11	Ventilatorblad	132000024	26	Kapillar	109000038
12	Styring	117020302	27	Udstødningsrør	113020624
13	Frontgitter	133020052	28	Ventilatorcondensator	111000034
14	Frontpanel-modul	108950008	29	Motorbeslagsholder	108950011
15	Spænde til netledning	142000126			



## 9. Vedligeholdelse

(1) Du bør kontrollere vandforsyningssystemet regelmæssigt for at undgå, at der kommer luft ind i systemet, og at der opstår lav vandgennemstrømning, fordi det vil reducere varmepumpens ydeevne og pålidelighed.

(2) Rengør dine pools og dit filtreringssystem regelmæssigt for at undgå skader på enheden.

(3) Tøm altid vandet i varmepumpen om vinteren, eller når omgivelsestemperaturen falder til under 0 °C, ellers vil titaniumveksleren blive beskadiget, fordi den er frosset, og i så fald bortfalder garantien.

(4) Kontrollér vandstanden, før enheden startes efter en længere pause i brugen.

(5) Når enheden kører, vil der løbe kondensvand ud fra bunden af enheden. Dette er normalt.

## 10. Tilbehør



## **DA - GARANTIBEVIS 1**

### **GENERELLE VILKÅR**

- 1.1 I overensstemmelse med disse bestemmelser garanterer sælgeren, at det produkt, der svarer til denne garanti («produktet»), er i perfekt stand på leveringstidspunktet.
- 1.2 Garantiperioden for produktet er to (2) år fra det tidspunkt, hvor det leveres til køberen.
- 1.3 I tilfælde af en defekt i produktet, som køberen meddeler sælgeren i garantiperioden, er sælgeren forpligtet til at reparere eller udskifte produktet for egen regning, og hvor han finder det passende, medmindre dette er umuligt eller urimeligt.
- 1.4 Hvis det ikke er muligt at reparere eller udskifte produktet, kan køberen anmode om et forholdsmæssigt afslag i prisen eller, hvis manglen er tilstrækkelig væsentlig, ophævelse af salgskontrakten.
- 1.5 De udskiftede eller reparerede dele under denne garanti vil ikke forlænge garantiperioden for det oprindelige produkt, men vil have en separat garanti.
- 1.6 For at denne garanti kan træde i kraft, skal køberen fremlægge bevis for købs- og leveringsdatoen for produktet.
- 1.7 Hvis køberen efter seks måneder fra leveringen af produktet til køberen anmelder en defekt i produktet, skal køberen fremlægge bevis for oprindelsen og eksistensen af den påståede defekt.
- 1.8 Dette garantibevis udstedes uden at berøre de rettigheder, der er gældende for forbrugere i henhold til nationale bestemmelser.

### **2 INDIVIDUELLE VILKÅR**

- 2.1 Denne garanti dækker de produkter, der henvises til i denne vejledning.
- 2.2 Dette garantibevis gælder kun i lande inden for Den Europæiske Union.
- 2.3 For at denne garanti skal være effektiv, skal køberen nøje følge producentens anvisninger i den dokumentation, der følger med Produktet, i de tilfælde, hvor det er relevant i henhold til Produktets sortiment og model.
- 2.4 Når der er angivet en tidsplan for udskiftning, vedligeholdelse eller rengøring af visse dele eller komponenter i Produktet, vil garantien kun være gyldig, hvis denne tidsplan er blevet fulgt.

### **3 BEGRÆNSNINGER**

- 3.1 Denne garanti gælder kun for salg til forbrugere, idet der ved "forbruger" forstås en person, der køber produktet til formål, der ikke er relateret til hans professionelle aktiviteter.
- 3.2 Normal slidage som følge af brug af produktet er ikke garanteret. Med hensyn til forbrugsdele, komponenter og/eller materialer, såsom batterier, pærer osv. gælder bestemmelserne i den dokumentation, der følger med Produktet.
- 3.3 Garantien dækker ikke de tilfælde, hvor Produktet; (I) er blevet håndteret forkert; (II) er blevet repareret, serviceret eller håndteret af ikke-autoriserede personer eller (III) er blevet repareret eller serviceret uden brug af originale dele. I tilfælde, hvor Produktets defekt er et resultat af forkert installation eller opstart, gælder denne garanti kun, hvis installationen eller opstarten er inkluderet i salgskontrakten for Produktet og er udført af sælgeren eller under dennes ansvar.



## ADVARSLER

	Dette symbolet viser at informasjon er tilgjengelig, f.eks. driftshåndbok eller installasjonshåndbok.		Dette symbolet viser at dette apparatet bruker R32, et lavtforbrennende hurtig kuldemedium.
	Dette symbolet viser at driftshåndboken må leses grundig.		Dette symbolet viser at servicepersonale bør håndtere dette utstyret i henhold til installasjonshåndboken.

### GENERELLE ADVARSLER

- Manglende overholdelse av advarsler kan forårsake alvorlige skader på bassengutstyret eller forårsake alvorlige personskader eller til og med død.
- Kun en kvalifisert tekniker innen gjeldende områder (elektrisitet, hydraulikk eller kulde) har tillatelse til å utføre vedlikehold eller reparasjon på utstyret. Den kvalifiserte teknikeren som jobber på utstyret, må bruke personlig verneutstyr (vernebriller og vernehansker osv.) for å redusere risikoen for skader som kan oppstå ved arbeid på utstyret.
- Før utstyret håndteres, sjekk at det er slått av og isolert.
- Dette utstyret er ikke beregnet på å bli brukt av personer (inkludert barn under 8 år) som mangler erfaring eller som har reduserte fysiske, sensoriske eller mentale evner, med mindre de får tilsyn eller instruksjoner om bruk av utstyret av en person som er ansvarlig for deres sikkerhet, og hvis de forstår risikoene dette innebærer.
- Barn skal holdes under tilsyn for å sikre at de ikke leker med utstyret.
- Utstyret må installeres i henhold til produsentens instruksjoner og i samsvar med lokale og nasjonale standarder. Installatøren er ansvarlig for å installere utstyret og for å overholde nasjonale installasjonsregelverk. Produsenten kan under ingen omstendigheter holdes ansvarlig ved manglende samsvar med gjeldende lokale installasjonsstandarder.
- Alt annet arbeid enn det enkle vedlikeholdet som brukeren skal utføre og som er beskrevet i denne bruksanvisningen, skal utføres av en kvalifisert fagperson.
- Feil installasjon og/eller bruk kan forårsake alvorlig skade på eiendeler eller alvorlige personskader (også dødsfall).
- Hvis utstyret har en feilfunksjon, må du ikke prøve å reparere det selv, men kontakte en kvalifisert fagperson.
- Hvis en av sikkerhetsanordningene integrert i utstyret slås av, fjernes eller forbigås, faller garantien automatisk bort. Dette gjelder også bruk av reservedeler produsert av uautoriserte eksterne produsenter.
- Ikke spray insektspray eller andre kjemikalier (antennelig eller ikke-antennelige) i nærheten av utstyret da dette kan skade apparatet og forårsake en brann.
- Ikke berør viften eller bevegelige deler, og ikke sett gjenstander eller fingrene i nærheten av bevegelige deler når utstyret er i bruk. Bevegelige deler kan forårsake alvorlig personskade eller til og med død.

### **ADVARSLER TILKNYTTET ELEKTRISK UTSTYR**

- Strømforsyningen til utstyret må være beskyttet med en egen 30 mA jordfeilbryter som oppfyller gjeldende standarder og regelverk i landet der det er installert.
- Ikke bruk skjøteledning når utstyret kobles til. Utstyret skal kobles direkte til en egnet strømforsyning.
- Før du setter i gang apparatet, sjekk følgende:
  - Spenningen som står på utstyrets merkeskilt, skal tilsvare nettspenningen.
  - Strømnettet må være tilpasset utstyrets strømbehov og skal være jordet.
  - Strømuttaket (hvis relevant) skal være egnet for kontakten.
- Utstyret må ikke kobles til og fra strømforsyningen mens det er i bruk.
- Ikke dra i strømledningen for å frakoble apparatet fra strømforsyningen.
- Hvis strømledningen er skadet, må den av sikkerhetsgrunner erstattes av produsenten, en tekniker eller en kvalifisert fagperson.
- Ikke utfør vedlikehold eller service på utstyret med våte hender eller hvis utstyret er vått.
- Før du kobler utstyret til strømforsyningen, sjekk at koblingsenheten eller støpselet som utstyret skal kobles til, er i god stand og at det ikke viser tegn på skader eller rust.
- I dårlig vær må utstyret kobles fra strømforsyningen for å unngå at det tar skade av lyn.
- Utstyret må ikke dypes ned i vann eller gjørme. Hold kretsbyteren på avstand fra vann.

### **ADVARSLER ANGÅENDE UTSTYR SOM INNEHOLDER KULDEMEDIET R32**

- Kuldemediet R32 er klassifisert i kategorien A2L som et material med begrenset brennbarhet.
- Ikke slipp R32-væske ut i atmosfæren. Disse gassene er fluorholdige drivhusgasser dekket av Kyotoprotokollen, med et globalt oppvarmingspotensial (GWP) på 675 (europeisk forordning EU 517/2014).
- Dette utstyret må oppbevares på et godt ventilert sted på avstand fra brannkilder.
- Enheten må installeres utendørs. Enheten må ikke installeres innendørs eller på et lukket og uventilert sted utendørs.
- Det må ikke brukes andre metoder for å få fortgang i avrimingen eller rengjøringen enn de metodene anbefalt av produsenten.
- Utstyret må oppbevares i et rom uten permanente brannkilder (f.eks. åpne flammer, fungerende gassapparat eller elektrisk oppvarming).
- Ikke stikk hull på eller brenn utstyret.
- Merk at kuldemediet R32 kan avgi en viss lukt.
- I samsvar med gjeldende standarder og regler innenfor miljø og installasjon, særlig det franske dekretet nr. 2015-1790 og/eller europeisk forordning EU 517/2014, må det utføres en lekkasjetest på kjølekretsen minst én gang i året. Dette må utføres av en spesialist som har autorisasjon til å teste kjøleutstyr.
- Vennligst oppbevar skjermkontrollen på et tørt sted for å beskytte den mot fuktskader.

### **VEDLIKEHOLD: ADVARSLER ANGÅENDE UTSTYR SOM INNEHOLDER KULDEMEDIET R32**

- Når det utføres service på utstyret, må sammensetningen og tilstanden til varmeoverføringsvæsken sjekkes, samt at det ikke finnes spor etter kuldemedium.
- Under den årlige tetthetstesten av utstyret i samsvar med gjeldende lovgivning, må høy- og lavtrykksbryterne sjekkes for å sikre at de er sikkert festet til kjølekretsen og at strømmen brytes når de slår ut.
- Under vedlikehold må du sjekke at det ikke er spor etter korrosjon eller olje rundt kjøledelene.
- Ikke lodd eller sveis røret hvis det er et kuldemedium inni maskinen. Ikke fyll på gass på et innelukket sted.

### **Områdesjekk**

- Før du begynner å jobbe på systemer som inneholder brennbare kuldemedier, må det utføres sikkerhetssjekker for å redusere brannrisikoen mest mulig.

### **Arbeidsprosedyre**

- Arbeidet må utføres i henhold til en kontrollert prosedyre for å redusere risikoen for å slippe ut brennbar gass eller damp mens arbeidet pågår.
- Slå av utstyret før du begynner å jobbe på kjølekretsen og vent et par minutter før du installerer temperatur- og trykksensorene. Enkelte deler, for eksempel kompressoren og rørene, kan bli over 100°C varme og inneholde høyt trykk, noe som kan føre til alvorlige brannskader.

### **Generelt arbeidsområde**

- Alt vedlikeholdspersonale og annet personale som jobber i nærheten, må gjøres oppmerksom på at det utføres arbeid på utstyret. Arbeid bør helst ikke foregå på innelukkede områder.

### **Sjekk av eventuelt kuldemedium**

- Området må sjekkes ved å bruke en egnet sensor for kuldemedier før og under arbeidet slik at teknikeren får vite om luften inneholder potensielt giftig eller brennbar gass. Sjekk at lekkasjesensoren som brukes, egner seg for alle de relevante kuldemediene, dvs. at sensoren ikke forårsaker gnister, er korrekt isolert og helt sikker.

### **Sjekk at det finnes brannslukningsutstyr**

- Hvis det utføres arbeid på kjøleutstyret eller en del av det ved en viss temperatur, må brannslukningsutstyr være innen rekkevidde. Sett tørt brannslukningspulver eller en CO<sub>2</sub> brannslukker i nærheten av arbeidsområdet.

### **Ingen brannkilder**

- Ved arbeid på et kjølesystem som innebærer avisolering av rørene, er det forbudt å bruke brannkilder da det kan forårsake en brann eller eksplosjonsrisiko. Alle brannkilder, særlig sigaretter, må holdes på tilstrekkelig lang avstand fra installasjon, reparasjon, fjerning eller kassering av utstyret, i tilfelle det slippes ut et kuldemedium. Før det utføres arbeid, må området rundt utstyret undersøkes for å sikre at det er fritt for all brann- eller antenningsrisiko. Det må settes opp skilt med "røyking forbudt".

### **Ventilasjon i området**

- Før enheten åpnes på noen som helst måte for å utføre vedlikehold, sjekk at området er åpent og godt luftet. Området må være godt ventilert under hele vedlikeholdsjobben for å luften bort ethvert kuldemedium som kan slippes ut i luften, på en sikker måte.

### **Sjekk av kjøleutstyret**

- Produsentens anbefalinger med tanke på service og vedlikehold, må alltid følges. Når elektriske deler byttes ut, sjekk at delene som brukes er av samme type og kategori som de som produsenten har anbefalt/godkjent. Ved tvil, kontakt produsentens tekniske avdeling for bistand.
- Følgende sjekker gjelder for anlegg som bruker brennbare kuldemedier:
  - hvis en indirekte kuldekrets brukes, må det sjekkes om det finnes et kuldemedium i bikretsen;
  - merkingene på utstyret må alltid være synlige og leselige. Alle uleselige merkinger eller skilt må rettes;
  - slangene eller delene i kjølekretsen er installert i en posisjon der de normalt ikke blir utsatt for stoffer som kan korrodere delene som inneholder kuldemediet, med mindre delene er laget av materialer som vanligvis er korrosjonsbestandige eller er korrekt beskyttet mot slik korrosjon.

### **Sjekk av elektriske deler**

- Reparasjon og vedlikehold av elektriske deler må inkludere innledende sikkerhetssjekker og prosedyrer for inspeksjon av delene. Hvis det oppstår en feil som går utover sikkerheten, må ingen strømforsyning kobles til kretsen før problemet har blitt fullstendig løst. Hvis feilen ikke kan rettes opp umiddelbart

og hvis vedlikeholdet må fortsette, må det finnes en egnet midlertidig løsning. Dette må rapporteres til eieren av utstyret slik at alle berørte personer gjøres oppmerksom på dette.

- Reparasjon og vedlikehold av elektriske deler må inkludere følgende innledende sikkerhetssjekker:
  - kondensatoren er utladet: dette må utføres på en sikker måte for å unngå all brannrisiko;
  - ingen elektrisk del eller strømførende ledning må avisoleres mens systemet fylles, overhales eller tømmes.
  - systemet må til enhver tid være jordet.

#### ***Reparasjon av isolerte deler***

- Ved reparasjon av isolerte deler, må alle strømkilder være frakoblet fra utstyret som det jobbes med før isoleringsdeksler osv. fjernes. Hvis utstyret må få strøm under vedlikeholdet, må en lekkasjesensor hele tiden sjekke om det finnes lekkasjer på det mest kritiske stedet slik at man kan avdekke potensielt farlige situasjoner.
- Man må være spesielt oppmerksom på følgende punkter når det utføres arbeid på elektriske deler for å sikre at kassen ikke endres så mye at det går utover beskyttelsesgraden. Dette inkluderer skadede ledninger, uforholdsmessig mange koblinger, terminaler som ikke er i samsvar med de originale spesifikasjonene, skadede pakninger, feil installasjon av kabelmuffer osv.
- Sørg for at utstyret er skikkelig festet.
- Sørg for at pakningene eller isolasjonsmaterialene ikke er såpass skadet at de ikke lenger hindrer en brennbar atmosfære i å trenge inn i kretsen. Reservedeler må være i samsvar med produsentens spesifikasjoner.

#### ***Reparasjon av egensikre deler***

- Ikke påfør permanent elektrisk kapasitans eller induksjonslast til kretsen uten å sjekke at det ikke overstiger tillatt spenning og intensitet for utstyret som brukes.
- Typisk sikre deler er de eneste typene som det kan jobbes med i nærheten av brannkilder mens de er strømførende. Testutstyret må tilhøre en egnet klassifisering.
- Deler må kun byttes ut med deler som produsenten har anbefalt. Andre deler kan føre til at kuldemediet lekker og antenner atmosfæren.

#### ***Kabling***

- Sjekk at kablingen ikke viser tegn på slitasje, korrosjon, uforholdsmessig høyt trykk, vibrasjoner, skjærende kanter eller andre skadelige virkninger. Sjekk også hvilken effekt aldring eller kontinuerlige vibrasjoner forårsaket av kompressorer eller vifter, har på utstyret.

#### ***Søk etter brennbare kuldemedier***

- Det må under ingen omstendigheter brukes potensielle brannkilder for å søke etter eller finne lekkasjer av kuldemedier. En halogenlampe (eller enhver annen detektor som bruker en åpen flamme) må ikke brukes.
- Følgende metoder for å finne lekkasjer, vurderes for å være akseptable for alle kjølesystemer.
- Elektroniske lekkasjesensorer kan brukes for å fange opp lekkasjer av kuldemedier, men når det gjelder brennbare kuldemedier, er følsomhetsnivået ikke alltid egnet eller det kan være nødvendig med en recalibrering. (Sensorutstyret må kalibreres på et sted uten kuldemedier). Sjekk at sensoren ikke er en potensiell brannkilde og at den egnest seg for kuldemediet som brukes. Lekkasjesensoren må justeres til prosenten av kuldemediets LFL og må kalibreres avhengig av kuldemediet som brukes. Den egnede gassprosenten (høyst 25 %) må bekreftes.
- Lekkasjesensorvæsker er også egnet for de fleste kuldemedier, men bruk av klorinholdige vaskemidler må unngås fordi de kan reagere med kuldemediet og forårsake korrosjon på kobberledningene.
- Ved mistanke om en lekkasje, må alle åpne flammer fjernes/slukkes.
- Hvis det oppdages en lekkasje av et kuldemedium og dette må loddas, må hele kuldemediet fjernes fra systemet eller isoleres (via stengeventiler) i en del av systemet som er på avstand fra lekkasjen.

#### ***Fjerning og avfallshåndtering***

- Vanlige prosedyrer må følges ved tilgang til kjølekretsen for å utføre reparasjoner eller av andre grunner. Anbefalingene for brennbare kuldemedier må imidlertid følges for å ta hensyn til produktets brennbarhet. Følgende fremgangsmåte må følges:

- fjern kuldemediet;
- spyl kretsen med en inert gass (valgfritt for A2L);
- tøm (valgfritt for A2L);
- spyl med en inert gass (valgfritt for A2L);
- åpne kretsen ved å kutte eller lodde.
- Kuldemediet må overføres til egnede sylindere. For utstyr som inneholder andre brennbare kuldemedier enn A2L kuldemedier, må systemet tappes med oksygenfritt nitrogen for å gjøre utstyret egnet til å ta imot brennbare kuldemedier. Denne prosessen må kanskje gjentas flere ganger. Komprimert luft eller oksygen må ikke brukes til å spyle kjølesystemene.

#### ***Påfyllingsprosedyrer***

- Sjekk at uttaket til vakuumpumpen ikke sitter i nærheten av en potensiell brannkilde og at stedet er ventilert.
- I tillegg til vanlige påfyllingsprosedyrer, gjelder følgende krav.
- Sjekk at det ikke er mulighet for krysskontaminering mellom de ulike kuldemediene når påfyllingsutstyret brukes. Slinger eller rør må være så korte som mulig for å redusere mengden kuldemedium i dem.
- Sylindre må plasseres i en egnet posisjon i samsvar med instruksjonene.
- Sjekk at kjølesystemet er jordet før systemet fylles med kuldemedium.
- Merk systemet når påfyllingen er utført (hvis det ikke allerede er gjort).
- Vær ekstra nøye med å ikke overfylle kjølesystemet.
- Før systemet fylles på igjen, må det utføres en trykktest med en egnet spylegass. Systemet må undersøkes for å sikre at det ikke er lekkasjer etter påfyllingen og før utstyret settes i drift igjen. En oppfølgende lekkasjetest må utføres før arbeidet avsluttes.

#### ***Demontering***

- Før demontering må en tekniker gjøre seg kjent med utstyret og dets spesifikasjoner. Vi anbefaler på det sterkeste å samle opp alle kuldemediene. Før dette, må det tas prøver av oljen og kuldemediet hvis det skal utføres analyser før eller etter at det oppsamlede kuldemediet brukes til et annet formål. Sjekk om utstyret er tilkoblet strøm før arbeidet starter.
  1. Gjør deg kjent med utstyret og hvordan det fungerer.
  2. Isoler systemet elektrisk.
  3. Før arbeidet starter, sjekk følgende punkter:
    - at mekanisk håndteringsutstyr er tilgjengelig hvis det trengs for å håndtere sylindrene til kuldemediet;
    - at alt personlig verneutstyr er tilgjengelig og brukt korrekt;
    - at oppsamlingsprosessen følges til enhver tid av en kompetent person;
    - at oppsamlingssylindrene og utstyret er i samsvar med relevante standarder.
  4. Tøm kjølesystemet der det er mulig.
  5. Hvis det ikke kan dannes et vakuum, installer en manifold for å fjern kuldemediet fra de ulike plassene i systemet.
  6. Sørg for at sylindren ligger på vekten før oppsamlingsprosessen starter.
  7. Start oppsamlingsenheten og følg driftsinstruksjonene.
  8. Ikke overfyll sylindrene (maks. 80 % av volumet må fylles med væske).
  9. Ikke overskrid sylindrens maksimale arbeidstrykk, selv midlertidig.
  10. Når sylindrene er korrekt fylt og prosessen er avsluttet, sjekk at sylindrene og utstyret raskt fjernes fra stedet og at de alternative stengeventilene på utstyret er lukket.
  11. Det oppsamlede kuldemediet må ikke fylles i et annet kjølesystem med mindre det har blitt rensert og inspisert.

#### **FEILSØKING**

- All loding må utføres av kvalifiserte loddere.
- Reserverør må alltid være av kobber i samsvar med standard NF EN 17535-1.
- Lekkasjesøk, trykktest:
  - bruk aldri oksygen eller tørr luft da det er risiko for brann eller eksplosjon,

- bruk tørr nitrogen eller en blanding av nitrogen og kuldemediet som står på merkeskiltet,
- testtrykket for både høy- og lavtrykkskretsene må ikke overskride 42 bar når den valgfrie trykkmåleren er installert på utstyret.
- Rørene for høytrykkskretsen er laget av kobber og har en diameter på minst 1 5/8 eller mer. Be leverandøren om et sertifikat jamfør punkt 2.1 i samsvar med standard NF EN 10204. Sertifikatet må legges i anleggets mappe over tekniske dokumenter.
- Teknisk data om sikkerhetskravene i de ulike gjeldende direktivene, står på merkeskiltet. All denne informasjonen må føres opp i utstyrets installasjonshåndbok som må oppbevares i den tekniske mappen: modell, kode, serienummer, maksimal og minimal OT, OP, produksjonsår, CE-merking, produsentens adresse, kuldemedium og vekt, elektriske parametre, termodynamikk og lydnivå.

#### **MERKING**

- Utstyret må merkes med informasjon om at det er i stand og at kuldemediet har blitt tømt.
- Merkingen må være datert og signert.
- For utstyr som inneholder et brennbart kuldemedium, sjekk at merkingene på utstyret opplyser at det inneholder et brennbart kuldemedium.

#### **OPPSAMLING**

- Når kuldemediet tømmes for vedlikehold eller demontering, må beste praksis følges for å tømme alt kuldemediet på en sikker måte.
- Når kuldemediet overføres til en sylinder, sørg for at det brukes en oppsamlings sylinder som er kompatibel med kuldemediet. Sørg for at riktig antall sylindere brukes for å samle opp alt kuldemediet. Alle sylindere må kunne benyttes til å samle opp kuldemedier og må være merket for dette spesifikke kuldemediet. Sylindere må være utstyrt med en vakuumentil og en stoppemekanisme i god stand. Tomme oppsamlings sylindere skal tømmes og, når det er mulig, avkjøles før oppsamling.
- Oppsamlingsutstyret må være i god stand, instruksjonene for å bruke utstyret må være innen rekkevidde og utstyret må være kompatibelt for bruk med gjeldende kuldemedium, inkludert et brennbart kuldemedium når dette er relevant. Dessuten må et sett med kalibrerte vekter være tilgjengelig og i god stand. Rørene må være fullstendige, ikke ha lekkasjer eller frakoblede koblingsdeler, og må være i god stand. Før oppsamlingsenheten brukes, sjekk at den er i god stand, at den har blitt godt vedlikeholdt og at de tilknyttede elektriske delene er tette slik at du unngår brannrisiko hvis et kuldemedium slippes ut. Ved tvil, kontakt produsenten.
- Det oppsamlede kuldemediet må sendes til leverandøren av kuldemediet i sin oppsamlings sylinder med et fraktnotat om avfall. Ikke bland ulike kuldemedier i oppsamlingsenhetene, og spesielt ikke i sylindere.
- Hvis kompressoren har blitt fjernet eller hvis olje fra kompressoren har blitt tømt, sjekk at kuldemediet har blitt fullstendig fjernet for å unngå å blande det med oljen. Tømmeprossen må utføres før kompressoren returneres til leverandøren. Kun det elektriske varmeapparatet til kompressoren kan brukes slik at prosessen går raskere. Dette kan utføres på en sikker måte når all væsken i systemet er tømt.



#### **RESIRKULERING**

Dette symbolet kreves av DEEE-direktivet 2012/19/EU (om kassering av elektrisk og elektronisk avfall) og betyr at utstyret ikke må kastes sammen med husholdningsavfall. Det skal sorteres for å gjenbrukes, resirkuleres eller bearbeides. Hvis det inneholder stoffer som kan være miljøskadelige, vil disse fjernes eller nøytraliseres. Kontakt din forhandler for informasjon om resirkulering.



# MINIVARMER

## Bruker- og servicehåndbok

### INNHOOLD

1. Spesifikasjoner
2. Transportinformasjon
3. Mål
4. Installasjon og tilkobling
5. Elektrisk installasjon
6. Displaybetjening
7. Feilsøking
8. Sprengskisse
9. Vedlikehold
10. Tilbehør



**NB: Denne håndboken inneholder all nødvendig informasjon for å bruke og installere varmepumpen.**

Installatøren må lese håndboken og følge instruksjonene for bruk og vedlikehold.

Installatøren er ansvarlig for installasjonen av produktet og skal følge alle instruksjonene til produsenten og gjeldende forskrifter. Feil installasjon vil føre til at garantien faller bort.

Produsenten fraskriver seg ethvert ansvar for skader forårsaket av enhver tredjeperson, fremmedlegemer og andre feil som skyldes installasjonen og som ikke følger retningslinjene i håndboken. Enhver bruk som produsenten ikke har tillatt, vil føre til at garantien faller bort.

Takk for at du bruker Mini Heater til bassenget ditt. Det vil varme bassengvannet og holde jevn temperaturen når lufttemperaturen er over 12 °C.

# 1. Spesifikasjoner

## 1.1 Teknisk data for varmepumper til basseng

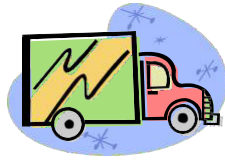
Artikkel	HPM20	HPM30	HPM40
Kode	71245	71258	71606
<b>* Varmekapasitet ved luft 28°C, vann 28°C, fuktighet 80%</b>			
Varmekapasitet (kW)	2,5	4,2	5,5
Strømforbruk (kW)	0,59	1	1,31
COP	4,2	4,2	4,2
<b>* Varmekapasitet ved luft 15°C, vann 26°C, fuktighet 70%</b>			
Varmekapasitet (kW)	1,9	3,2	4,2
Strømforbruk (kW)	0,56	0,91	1,2
COP	3,4	3,5	3,5
<b>* Generelle data</b>			
Spenning (V)	220-240V~50Hz/1PH		
Nominell strømstyrke (A)	2,6	4,4	5,8
Kurs (A)	7,5	10	16
Maksimalt bassengvolum**(m <sup>3</sup> )	<20	<30	<40
Minste og anbefalt vanngjennomstrømming (m <sup>3</sup> /t)	2	2	2,5
Maksimalt/minimalt driftstrykk (mPa)	4,2/0,05		
Fall vanntrykk (kPa)	15	15	15
Varmeveksler	Titaniumveksler i PVC		
Beskyttelsesgrad	IPX4		
Vannrør inn-ut (mm)	38/32		
Støynivå (10m) dB(A)	48	46	46
Støynivå (1m)	57	55	55
Kuldemedium (R32)	160	290	400
<b>* Mål/vekt</b>			
Nettvekt (kg)	18	26	30
Bruttovekt (kg)	19	28,5	33
Netto mål (mm)	313*364,5*428,5	435*436,5*511,5	515*487*541,5
Emballasjemål (mm)	380*455*500	496*525*575	570*570*605

\* Tallene ovenfor kan endres uten forvarsel.

\*\* Se emballasjen vår eller nettstedet for mer informasjon.

## 2. Transportinformasjon

### 2.1 Leveranse



Varmepumpene er festet til pallen og dekket med en pappeske. For å unngå skade må varmepumpen fraktes i emballasjen.

Det er mottakerens ansvar å gi beskjed, innen 48 timer, om eventuelle skader som har oppstått under frakten. Det tas intet ansvar når fraktseddelen for apparatet er undertegnet.

### 2.2 Lagring



\* Lagringsstedet må være lyst, romslig, åpent, godt ventilert, ha ventilasjonsutstyr og ingen brannkilder.

\* Varmepumpen må lagres og fraktes loddrett i sin opprinnelige emballasje. Hvis det ikke er tilfellet, kan pumpen ikke kobles til strøm og settes i gang før det har gått minst 24 timer.

### FORBUDT



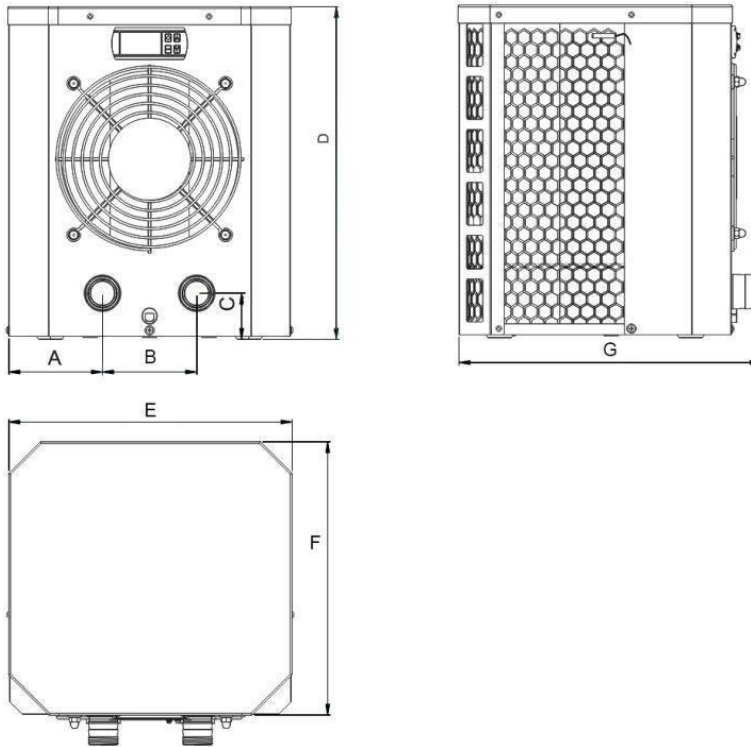
### 2.3 Transport til installasjonsstedet

\* Under utpakkingen av produktet og transport fra pallen til installasjonsstedet, må varmepumpen stå loddrett.

\* Røyking og bruk av flammer er forbudt i nærheten av R32-maskinen.

Vannrør skal ikke brukes som håndtak til å løfte utstyret. Produsenten tar ikke ansvar hvis vannrørene blir skadet i dette tilfellet.

### 3. Mål



Gjenstand / (mm)	A	B	C	D	E	F	G
HPM20	90,4	130	50	428,5	313	300	364,5
HPM30	116,5	200	50	511,5	435	365	436,5
HPM40	134,6	260	50	541,5	515	421	487

## 4. Installasjon og tilkobling

### Merk:

Følg reglene nedenfor ved installasjon av varmepumpen:

1. All påfylling av kjemikalier må skje i rørene **nedstrøms** for varmepumpen.
2. Varmepumpen må alltid stå oppreist. Hvis den ikke står helt oppreist, vent minst 24 timer før varmepumpen kobles til strøm.

### 4.1 Sted for varmepumpen

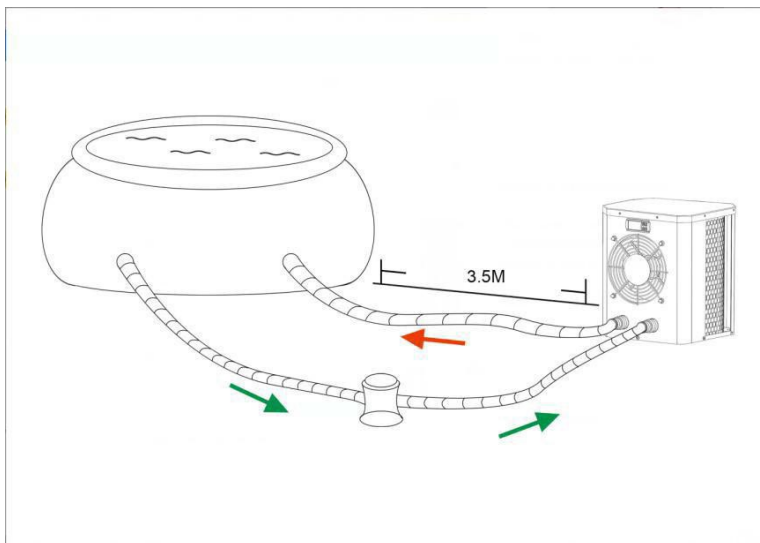
Pumpen vil fungere korrekt uansett sted forutsatt at følgende tre punkter er oppfylt:

**1. Inntak av friskluft**

- **2. Strøm**

- **3. Bassengfiltre**

Varmepumpen kan installeres på nesten hvilket som helst sted **utendørs** forutsatt at minsteavstandene til andre gjenstander overholdes (se skissen nedenfor). Sjekk med installatøren hvis pumpen installeres for et innendørs basseng. Det er ikke et problem å installere pumpen på et vindfullt sted.



**MERK:** Pumpen må aldri installeres i et lukket rom med begrenset luftvolum der luften fra pumpen vil gjenbrukes, eller i nærheten av buskas som kan hindre luftinntaket. Slike steder hindrer kontinuerlig tilgang på frisk luft og fører til redusert effektivitet og kan potensielt hindre tilstrekkelig varmeutslipp.

### 4.2 Første igangsetting

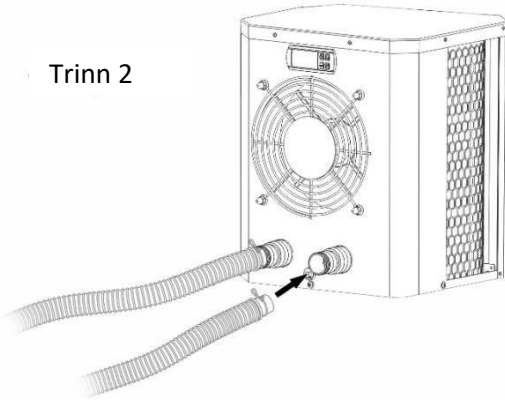
**Note:** For å varme opp vannet i bassenget (eller badestampen) må filterpumpen gå slik at vannet sirkulerer gjennom varmepumpen. Hvis vannet ikke renner gjennom pumpen, vil overopphetingsvernet slå ut og utstyret vil kortslutte.

### 4.3 Tilkobling av slanger

Trinn 1



Trinn 2



#### Note:

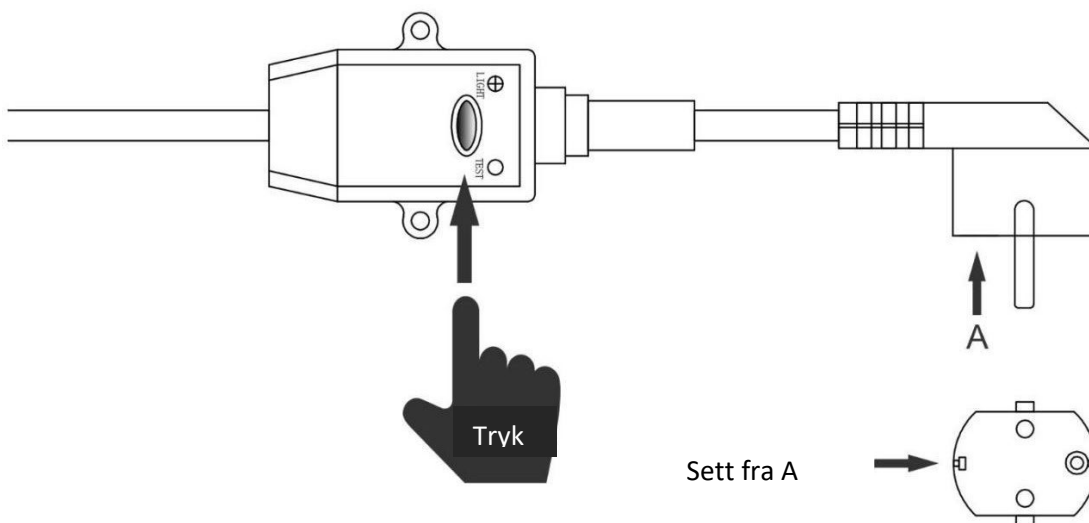
Fabrikken leverer kun varmepumpen. Alle andre deler, inkludert to slanger, må anskaffes av brukeren eller installatøren.

### 4.4 Elektrisk tilkobling

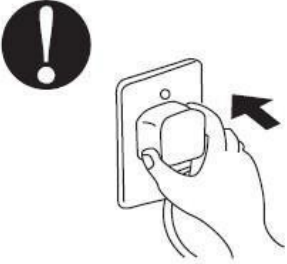
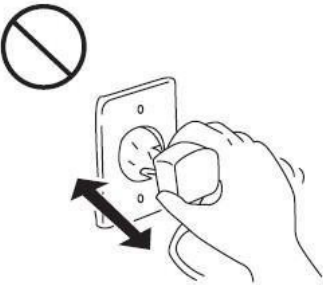
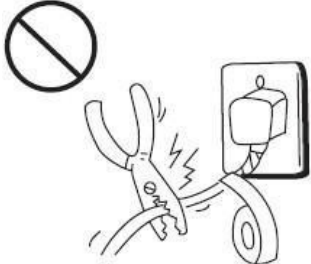
Før pumpen tilkobles, sjekk at nettspenningen tilsvarer pumpens driftsspenning. Jordfeilbryteren som er

inkludert i strømkabelen, kan beskytte pumpen.

Testknappen brukes til å sjekke kretsbyteren.



### **Merk:**

<p><b>Sørg for at støpselet er sikkert</b></p> <p>Hvis støpselet ikke er sikkert, kan det forårsake et elektrisk støt, overoppheting eller brann</p> 	<p><b>Støpselet må aldri trekkes ut under drift</b></p> <p>Ellers kan det oppstå et elektrisk støt eller brann på grunn av overoppheting.</p> 	<p><b>Skadde strømkabler eller uspesifiserte strømkabler må aldri brukes.</b></p> <p>Ellers kan det oppstå et elektrisk støt eller brann.</p> 
--	---	---

Etter at alle koblinger er utført og sjekket, følg denne prosedyren:

1. Slå på filterpumpen. Sjekk for lekkasjer og kontroller at vannet flyter til og fra svømmebassenget.
2. Koble varmpumpen til strøm og trykk på On/Off-knappen på det elektroniske kontrollpanelet. Pumpen starter opp etter en tidsforsinkelse (se nedenfor).
3. Sjekk, etter et par minutter, om det blåser luft ut av pumpens kjøler.
4. Når filterpumpen er slått av, skal pumpen også slås av automatisk.
5. La varmpumpen og filterpumpen være i gang 24 timer i døgnet inntil ønsket vanntemperatur er nådd. Varmepumpen vil slutte å gå når vannet holder ønsket temperatur. Etter dette, vil den starte opp igjen automatisk (forutsatt at filterpumpen går) når temperaturen på bassengvannet faller 2 grader under innstilt temperatur (f.eks. hvis du innstilte temperaturen på 28 °C, vil varmpumpen stoppe når temperaturen er 28 °C. Den vil starte opp igjen når temperaturen på vannet har falt til 26 °C).

Avhengig av starttemperaturen på vannet i svømmebassenget og lufttemperaturen, kan det ta flere dager å varme opp vannet til ønsket temperatur. Et godt trekk til svømmebassenget kan forkorte denne tiden.

**Tidsforsinkelse** - Varmepumpen har en innebygget 3-minutters startforsinkelse for å beskytte kretsen og unngå slitasje på de elektriske kontaktene. Pumpen vil starte opp igjen automatisk når denne tidsforsinkelsen har utløpt. Selv et kort strømbrudd vil utløse denne tidsforsinkelsen og hindre pumpen i å starte opp igjen med en gang. Nye strømbrudd i løpet av tidsforsinkelsen påvirker ikke denne 3-minutters forsinkelsen.

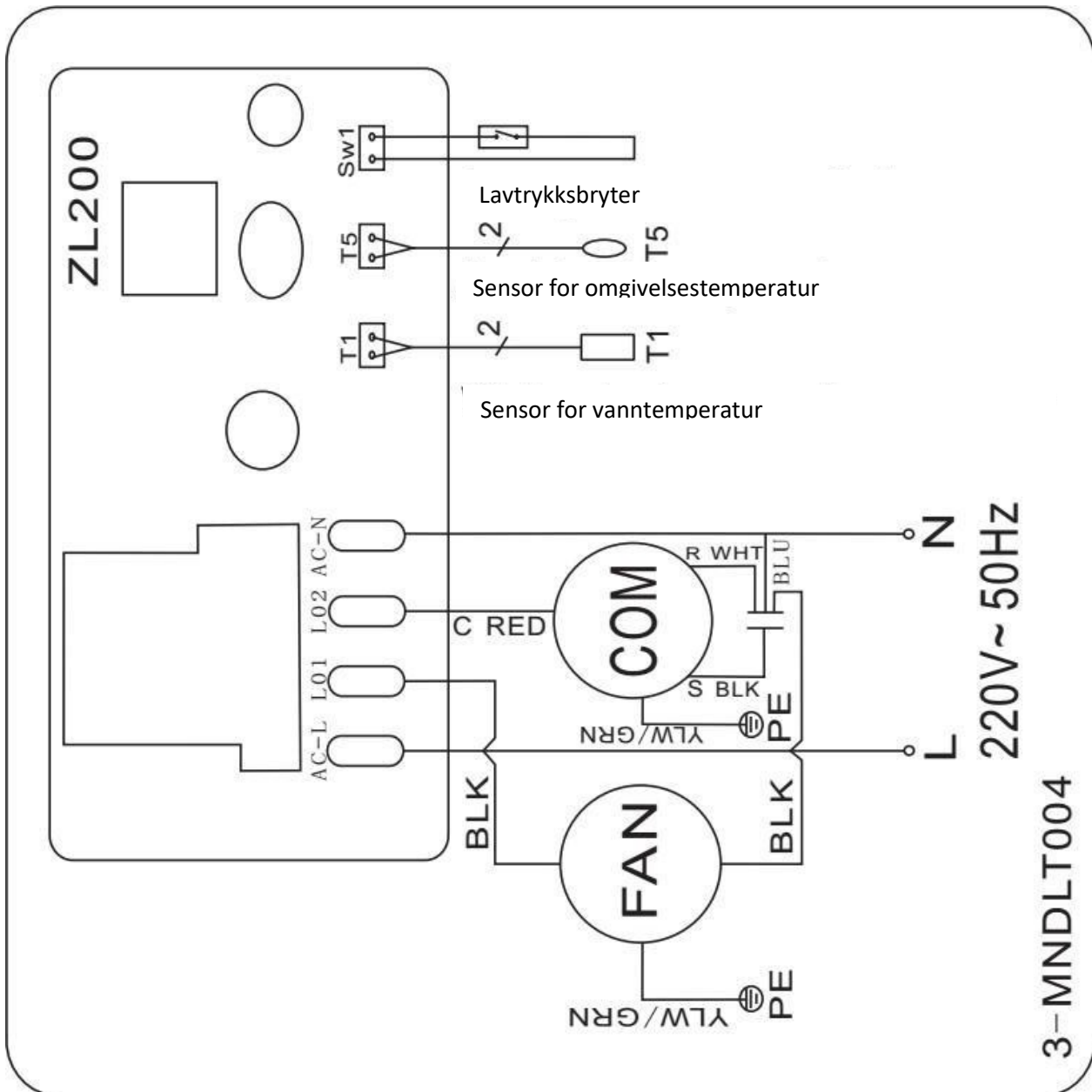
#### **4.5 Kondens**

Luften som trekkes inn i varmpumpen, avkjøles av pumpesystemet som varmer bassengvannet. Dette kan danne kondens på finnene til fordampere. Kondensmengden kan være så mye som flere liter i timen ved høy fuktighet. Kondensvannet renner ut av bunnen av varmpumpen. Av og til kan kondensvannet mistenkes for å være en lekkasje. .

## 5. Elektrisk installasjon

### 5.1 Koblingsskjema for svømmebassengets varmpumpe

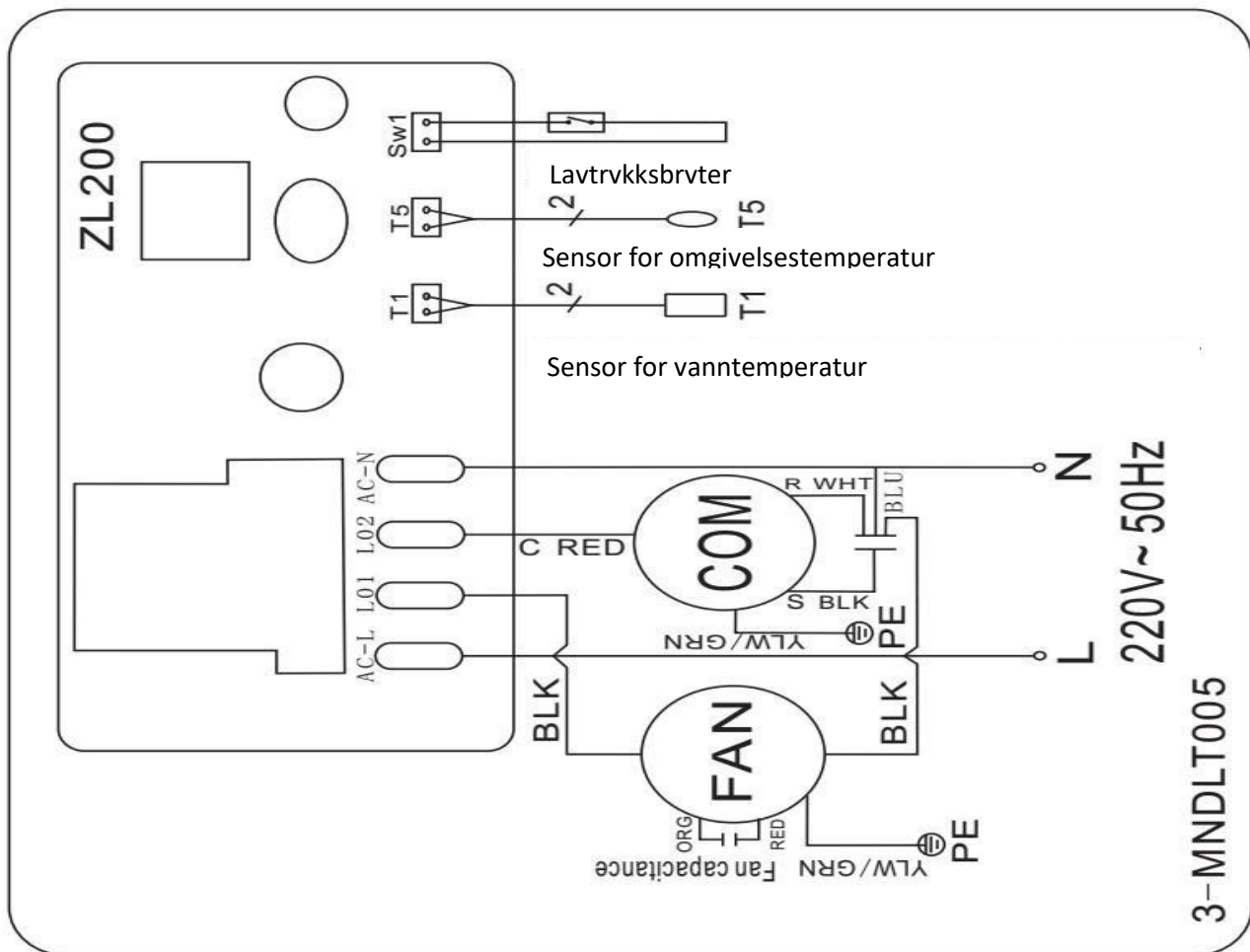
Kode; HPM20





## 5.2 Kablingsskjema for svømmebassengets varmpumpe

Kode; HPM30/HPM40



### MERK:

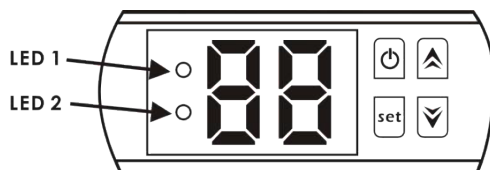
(1) Kablingsskjemaet ovenfor er kun til informasjon og må tilpasses maskinen.

(2) Varmepumpen til svømmebassenget må jordes, selv om varmeveksleren er elektrisk isolert fra resten av enheten. Det er likevel nødvendig å jorde enheten for å beskytte deg mot kortslutninger inni enheten. Bonding er også påkrevd.

**Strømbryter:** Det bør finnes en strømbryter innen rekkevidde av enheten og lett tilgjengelig (strømbryter, sikring eller sikringsløs bryter). Dette er vanlig praksis på varmpumper til næringsbruk og boliger. Da unngår du å måtte overvåke utstyret, og du kan slå av strømmen ved enheten når det utføres service.

## 6. Displaybetjening

### 6.1 Knapper på LED-kontrollen





Når varmepumpen går, viser LED-skjermen temperaturen på inntaksvannet.

LED 1 lyser når kompressoren går. LED 2



lyser hvis det er feil på enheten.



### 6.2 Slå av-på varmepumpen

Trykk på  for å slå på varmepumpen. LED-skjermen viser den innstilte vanntemperaturen i 5 sekunder, deretter vises temperaturen på inntaksvannet.

Trykk på  igjen for å slå av varmepumpen.

### 6.3 Innstille vanntemperaturen

Trykk på  eller  direkte for å justere vanntemperaturen (mellom 10 og 42°C)

Trykk på  eller  for å lagre innstillingen og avslutte.

MERK: varmepumpen kan kun gå hvis vannkretsen/filtersystemet går.

### 6.4 Sjekke parametere

Trykk på  for å sjekke parametere. Trykk på  eller  for å velge kode d0/d1, trykk på  igjen for å vise den målte verdien. Til slutt, trykk på  for å avslutte.

Kode	Parameter
d0	Omgivelsestemperatur
d1	Vanntemperatur

**Merk: Sluttbrukerne kan ikke innstille parameterdata.**

## 7. Feilsøking

### 7.1 Feilkode på LED-kontrollen

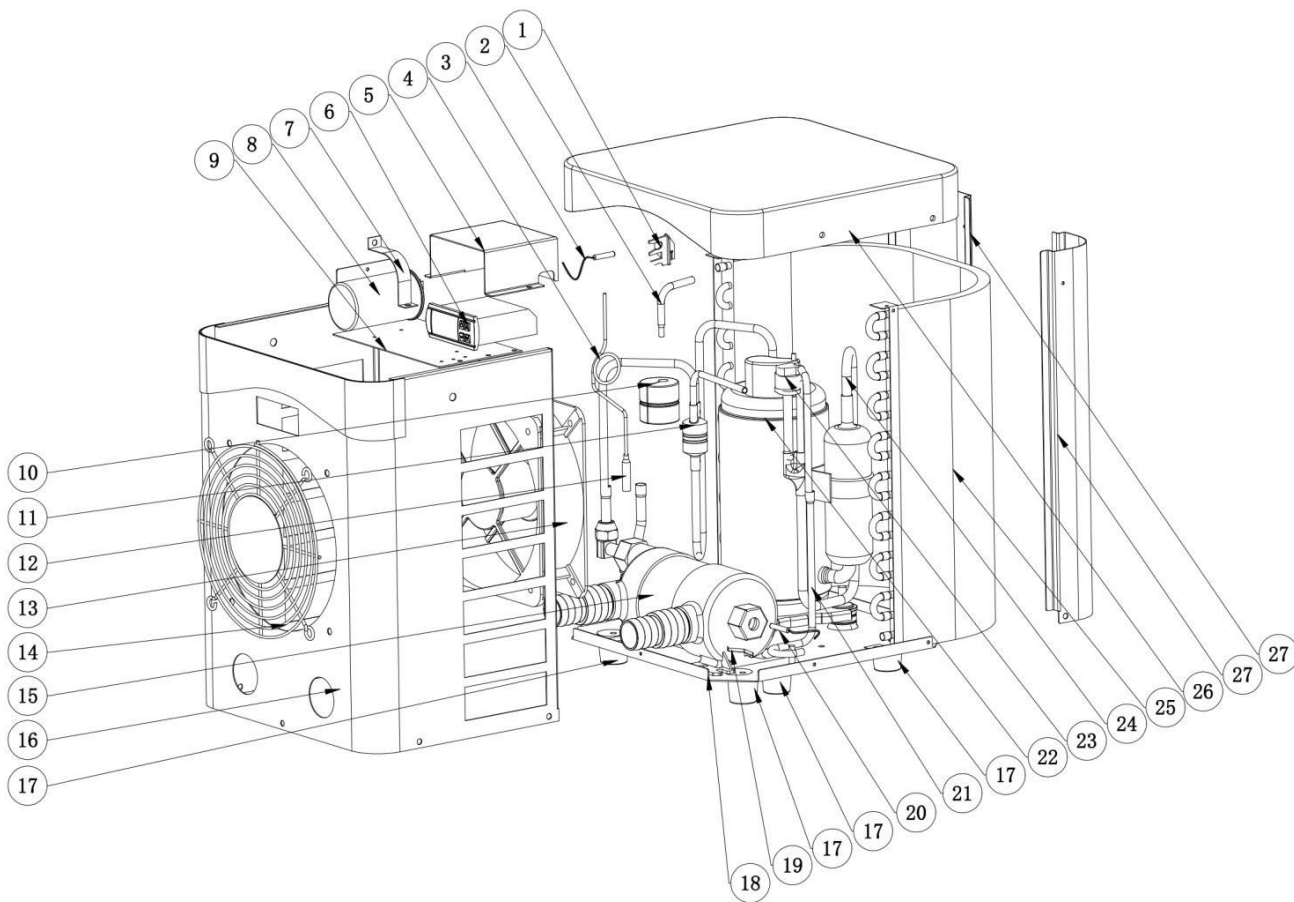
Feilfunksjon	Kode	Årsak	Løsning
For lavt overopphetingsvern	P0	1. Omgivelsestemperaturen er under 12 °C 2. Kontrollerfeil.	1. Vent til omgivelsestemperaturen har steget til 13 °C. 2. Bytt ut kontrollen.
Feil med vanntemperatursensor	P1	Vanntemperatursensor åpen krets eller kortsluttet.	Bytt ut vanntemperatursensoren.
Feil med omgivelsestemperatursensor	P2	Omgivelsestemperatursensoren åpen krets eller kortsluttet.	Bytt ut omgivelsestemperatursensoren.
Lavtrykksvern	EL	1. Lavtrykksbryter frakoblet eller feil. 2. Gasslekkasje.	Den må repareres av profesjonelle fagpersoner.

## 7.2 Andre feil og løsninger (vises ikke på LED-kontrollen)

Feilfunksjoner	Situasjon	Årsak	Løsning
Varmepumpen går ikke	LED-kontrollen viser ingenting.	Ingen strømforsyning.	Sjekk om kabelen og kretsbyteren er tilkoblet.
	LED-kontrollen viser aktuell vanntemperatur.	1. Vanntemperaturen øker til innstilt verdi. Varmepumpen viser konstant temperatur. 2. Varmepumpen bare begynner å gå.	1. Sjekk innstilt vanntemperatur. 2. Slå på varmpumpen etter noen minutter.
Pumpen går i kort tid	LED-kontrollen viser aktuell vanntemperatur, ingen feilkode vises.	1. Viften går IKKE. 2. Utilstrekkelig luftventilasjon. 3. Utilstrekkelig kuldemedium.	1. Sjekk kabelkoblingene mellom motoren og viften. Om nødvendig må de skiftes ut. 2. Sjekk området rundt varmpumpen og fjern alle hindringer til luftsirkulasjonen. 3. Bytt ut eller reparer varmpumpeenheten. Den må repareres av en profesjonell fagperson.
Vannmerker	Vannmerker på varmpumpeenheten.	1. Betong. 2. Vannlekkasje.	1. Ikke foreta deg noe. 2. Sjekk varmeveksleren i titanium nøye for feil.

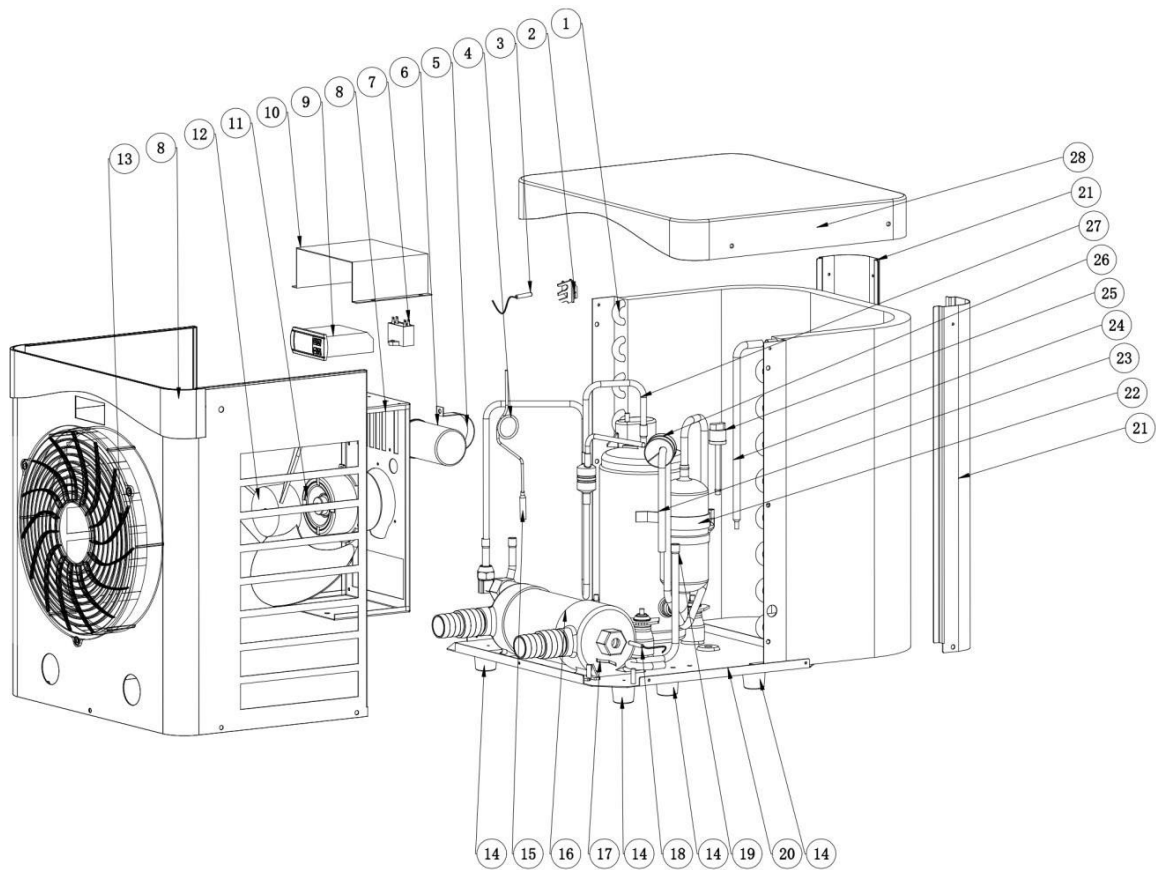
## 8. Sprengskisse

Enhet: HPM20



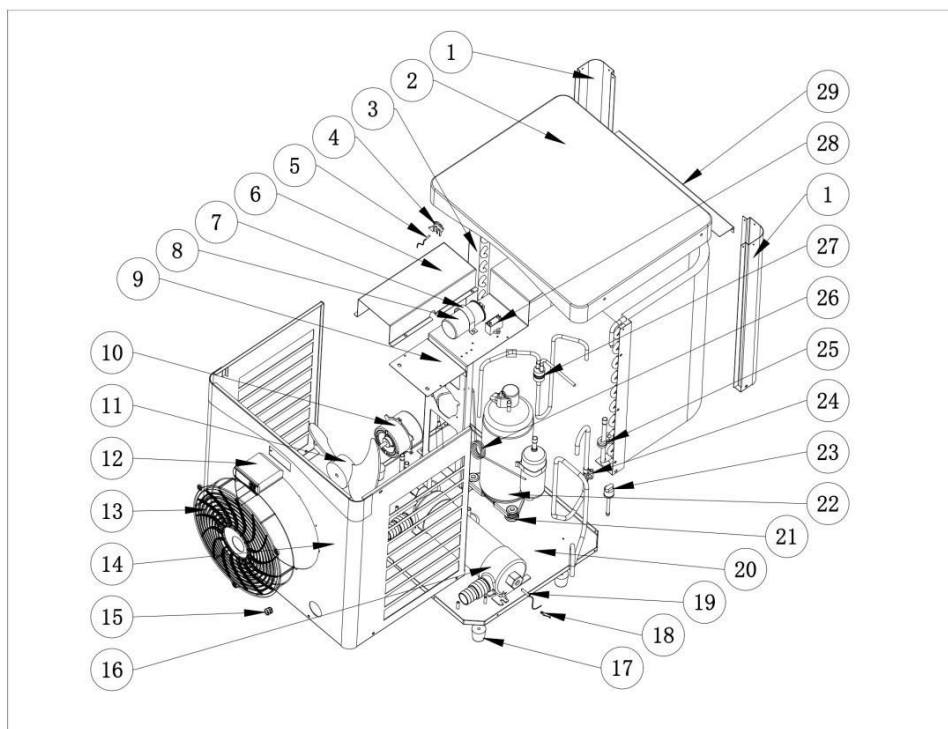
Nr.	Reservedeler	HPM20	Nr.	Reservedeler	HPM20
1	Omgiv.temp. Sensorclip	102040891	15	Titaniumveksler	102040891
2	Kopperrør	108680047	16	Frontpanel	108680047
3	Omgiv.temp. Sensor T5	136020168	17	Gummiføtter	136020168
4	Kapillærrør	108680045	18	Sokkel	108680045
5	Strømboks	108010025	19	Klips	108010025
6	Kontroll	117110068	20	Vann i temp. Sensor T1	117110068
7	Kompressor kapasitansklips	113050123	21	Gassoppsamlingsrør	113050123
8	Kompressor kapasitans	101000233	22	Kompressor	101000233
9	Topplate viftemotor	116000091	23	Lavtrykksbryter	116000091
10	Støtsikker gummihammer	113010300	24	Dampavløpsrør	113010300
11	Gassreturrør	103000236	25	Fordamper	103000236
12	Kopperrør	133400001	26	Toppdeksel	133400001
13	Viftemotorenhet	108680046	27	Søyle	108680046
14	Frontrist				

Enhet: HPM30



Nr.	Reservedeler	HPM30	Nr.	Reservedeler	HPM30
1	Fordamper	103000237	15	Kopperrør	113100027
2	Omgiv.temp. Sensorclip	133020010	16	Titaniumveksler	102040900
3	Omgiv.temp. Sensor T5	117110079	17	Klips	108010025
4	Kapillærrør	109000038	18	Vann i temp. Sensor T1	117110068
5	Kompressor kapasitans	108010006	19	Gassoppsamlingsrør	113050125
6	Kompressor kapasitans	111000011	20	Sokkel	108690033
7	Viftekkondensator	111000034	21	Søyle	108690048
8	Frontpanelenhet	108690047	22	Kompressor	101000232
9	Kontroll	117020189	23	Gassreturrør	113020467
10	Strømboks	108690015	24	Kopperrør	113420129
11	Viftemotor	112000054	25	Lavtrykksbryter	116000091
12	Vifteblad	132000024	26	Støtsikker gummi	136020026
13	Frontrist	133020052	27	Dampavløpsrør	113010351
14	Gummiføtter	136020168	28	Toppdeksel	133330004

Enhet: HPM40



Nr.	Reservedeler	HPM40	Nr.	Reservedeler	HPM40
1	Søyle	108950009	16	Titaniumveksler	117020363
2	Toppdeksel	133440001	17	Gummiføtter	136020168
3	Fordamper	103000343	18	Temperaturveksler	108010025
4	Sensor omgiv.temperatur	133020010	19	Vann i temp. Sensor T1	117110068
5	Vann i temp. Sensor T1	117110068	20	Sokkel	108950007
6	Strømboks	108950006	21	Gummiføtter kompressor	101000241
7	Kompressor kapasitans	108010006	22	Kompressor	101000241
8	Kompressor kapasitans	111000012	23	Lavtrykksbryter	116000091
9	Viftemotorbrakett	108950010	24	Gassreturrør	113020602
10	Viftemotor	112000079	25	Gummikloss	136020018
11	Vifteblad	132000024	26	Kapillærrør	109000038
12	Kontroll	117020302	27	Dampavløpsrør	113020624
13	Frontrist	133020052	28	Vifte kondensator	111000034
14	Frontpanelenhet	108950008	29	Feste motorbrakett	108950011
15	Spenne strømledning	142000126			

## 9. Vedlikehold

(1) Vannforsyningssystemet må sjekkes regelmessig for å unngå at luft kommer inn i systemet og reduserer gjennomstrømmingen av vann, da det vil minke ytelsen og påliteligheten til varmepumpen.

(2) Bassenget og filtreringsystemet må renses regelmessig for å unngå at pumpen blir skadet.

(3) Vannet i varmepumpen må alltid tømmes om vinteren eller når omgivelsestemperaturen faller under 0°C, ellers vil titaniumveksleren bli frostskaadet og da vil garantien falle bort.

(4) Sjekk vannnivåene før enheten startes etter en lang stillstand.

(5) Når enheten går, vil det renne kondensvann fra bunnen av enheten. Dette er normalt.

## 10. Tilbehør





## **NO - GARANTISERTIFIKAT 1**

### **GENERELLE BETINGELSER**

- 1.1 I samsvar med disse bestemmelsene garanterer selgeren at produktet tilsvarende denne garantien ("produktet") er i perfekt stand på leveringstidspunktet.
- 1.2 Garantiperioden for produktet er to (2) år fra tidspunktet det leveres til kjøperen.
- 1.3 Hvis kjøperen informerer selgeren om en feil i produktet i løpet av garantiperioden, er selgeren forpliktet til å reparere eller omlevere produktet, for egen regning etter eget skjønn, med mindre dette er umulig eller urimelig.
- 1.4 Hvis det ikke er mulig å reparere eller omlevere produktet, kan kjøperen kreve en forholdsmessig prisreduksjon eller, hvis feilen er tilstrekkelig vesentlig, kan kjøperen kreve opphevelse av salgsavtalen.
- 1.5 De omleverte eller reparerte delene i henhold til denne garantien, vil ikke forlenge garantiperioden til det opprinnelige produktet, men vil få en separat garanti.
- 1.6 For at denne garantien kan få virkning, må kjøperen fremlegge bevis på kjøpsdatoen og leveringingen av produktet.
- 1.7 Hvis kjøperen, seks måneder etter mottaket av produktet, opplyser om en produktfeil, må kjøperen fremlegge bevis på hva den påståtte feilen kommer av og at feilen finnes.
- 1.8 Dette garantisertifikatet utleveres i tillegg til rettighetene som forbrukerne har i henhold til nasjonale regelverk.

### **2 INDIVIDUELLE BETINGELSER**

- 2.1 Denne garantien dekker produktene det henvises til i denne håndboken.
- 2.2 Dette garantisertifikatet gjelder kun i EU-land.
- 2.3 For at denne garantien skal fungere, må kjøperen følge produsentens instruksjoner som står i dokumentasjonen levert med produktet, i tilfellene der den gjelder basert på produktets type og modell.
- 2.4 Når tidsrammer er oppgitt angående utskifting, vedlikehold eller rensing av enkelte deler eller bestanddeler av produktet, vil garantien kun være gyldig hvis disse tidsrammene har blitt fulgt.

### **3 BEGRENSNINGER**

- 3.1 Denne garantien vil kun gjelde for salg til forbrukere. Med "forbruker" menes en person som kjøper produktet til bruk som ikke er tilknyttet personens næringsvirksomhet.
- 3.2 Normal slitasje som følge av bruken av produktet, dekkes ikke av garantien. Når det gjelder forbruksvarer, bestanddeler og/eller materialer, f.eks. batterier, lyspærer osv., gjelder bestemmelsene i dokumentasjonen som leveres med produktet.
- 3.3 Garantien dekker ikke tilfellene der produktet (I) har blitt feil håndtert; (II) har blitt reparert, vedlikeholdt eller håndtert av uautoriserte personer eller (III) har blitt reparert eller vedlikeholdt med andre deler enn originale reservedeler. Når feilen i produktet er et resultat av feil installasjon eller oppstart, vil denne garantien kun gjelde hvis denne installasjonen eller oppstarten er inkludert i salgsavtalen for produktet og har blitt utført av selgeren eller under selgerens ansvar.

 **VAROITUKSET**

	<p>Tämä symboli tarkoittaa, että tietoa on saatavilla esimerkiksi käyttöoppaassa tai asennusoppaassa.</p>		<p>Tämä symboli tarkoittaa, että tämä laite käyttää R32-kylmäainetta, jolla on hidas palamisnopeus.</p>
	<p>Tämä symboli tarkoittaa, että käyttöopas on syytä lukea huolellisesti.</p>		<p>Tämä symboli tarkoittaa, että huoltohenkilöstön tulee käsitellä laitetta asennusoppaan ohjeiden mukaisesti.</p>

**YLEISET VAROITUKSET**

- Varoitusten noudattamatta jättämisestä voi olla seurauksena uima-allaslaitteiston vakavat vauriot tai vakava loukkaantuminen ja jopa kuolema.
- Vain laitetta koskeviin teknisiin aloihin (sähkö, hydraulikka tai kylmäaineet) pätevästi koulutettu henkilö saa tehdä laitteelle huolto- tai korjaustöitä. Laitteen kanssa työskentelevän pätevästi koulutetun henkilön on käytettävä henkilösuojaimia (kuten suojalaseja ja suojakäsineitä jne.) vähentääkseen laitteen työskentelyn aikana tapahtuvien loukkaantumisten riskiä.
- Tarkista ennen laitteen käsittelyä, että laite on kytketty pois päältä ja eristetty.
- Tätä laitetta ei ole tarkoitettu sellaisten henkilöiden (mukaan lukien yli 8-vuotiaat lapset), joilla ei ole kokemusta laitteen käytöstä tai joiden fyysiset, aistilliset tai henkiset kyvyt ovat heikentyneet, paitsi jos heidän turvallisuudestaan vastaava henkilö valvoo ja ohjaa heitä laitteen käytössä, ja jos he ymmärtävät laitteen käyttöön liittyvät riskit.
- Lapsia on vaarallista, jotta he eivät leiki laitteella.
- Laite on asennettava valmistajan ohjeiden sekä paikallisten ja kansallisten lakien mukaisesti. Asentaja on vastuussa laitteen asentamisesta sekä kansallisten asennussääntöjen noudattamisesta. Valmistajaa ei voi missään olosuhteissa pitää vastuussa, jos paikallisia asennusstandardeja ei ole noudatettu.
- Kaikissa muissa kuin tässä käyttöoppaassa kuvatuissa yksinkertaisissa käyttäjän huoltotoimissa tuote on annettava valtuutetun ammattilaisen huollettavaksi.
- Virheellisestä asennuksesta ja/tai käytöstä voi olla seurauksena materiaalivaurio tai vakavat loukkaantumiset (mahdollisesti jopa kuolema).
- Jos laitteessa on toimintahäiriöitä, älä yritä korjata sitä itse. Ota sen sijaan yhteys pätevään teknikkoon.
- Minkä tahansa laitteeseen integroidun turvamekanismin poisto käytöstä, poistaminen tai ohittaminen mitätöi automaattisesti takuun, kuten myös valtuuttamattomien kolmansien osapuolten valmistajien valmistamien varaosien käyttö.
- Älä suihkuta höynteismyrkkyjä tai muita kemikaaleja (helposti syttyvää tai syttymätöntä) laitteen suuntaan, sillä ne voivat vaurioittaa laitteen runkoa ja aiheuttaa tulipalon.
- Älä koske tuulettimeen tai liikkuviin osiin äläkä aseta esineitä tai sormiasi liikkuvien osien lähetyville, kun laite on käynnissä. Liikkuvat osat voivat aiheuttaa vakavan loukkaantumisen tai jopa kuoleman.

### **SÄHKÖLAITTEITA KOSKEVAT VAROITUKSET**

- Laitteen virtalähde on suojattava sille tarkoitettulla 30 mA:n vikavirtasuojakytkimellä (RCD), joka on asennusmaassa voimassa olevien standardien ja säännösten mukainen.
- Älä kytke laitetta jatkojohtoon, vaan kytke laite suoraan sopivaan virtalähteeseen.
- Ennen minkäänlaisten toimenpiteiden suorittamista tarkista, että:
  - Laitteen tietokyltissä ilmoitettu jännite vastaa verkkojännitettä.
  - Sähkövoimaverkko on laitteen virtavaatimusten mukainen ja maadoitettu.
  - Pistoke (kun käytössä) sopii pistorasiaan.
- Älä kytke irti ja kytke uudelleen päälle laitetta virtalähteeseen, kun laite on käytössä.
- Älä kytke laitetta irti virtalähteestä vetämällä virtajohdosta.
- Jos virtajohto on vioittunut, valmistajan, valmistajan teknikon tai pätevän henkilön on vaihdettava se turvallisuuden varmistamiseksi.
- Älä tee laitteelle huolto- tai ylläpitotöitä märillä käsillä tai jos laite on märkä.
- Ennen kuin kytket laitteen virtalähteeseen, tarkista että liitäntäyksikkö tai pistorasia, johon laite kytketään, on hyvässä kunnossa eikä siinä näy vaurioiden tai ruostumisen merkkejä.
- Kytke laite irti virtalähteestä myrskyisellä säällä, jotta salamointi ei vaurioita laitetta.
- Älä upota laitetta veteen tai mutaan; pidä virrankatkaisin kaukana vedestä.

### **R32-KYLMÄAINETTA SISÄLTÄVIÄ LAITTEITA KOSKEVAT VAROITUKSET**

- R32-kylmäaine luokitellaan lievästi tulenaraksi.
- Älä vapauta R32-nestettä ilmakehään. Ne ovat fluorattuja kasvihuonekaasuja, joita koskee Kyoton protokolla ja joiden lämmityspotentiaali (Global Warming Potential (GWP) ) on 675 (eurooppalainen asetus EY 517/2014).
- Laite on varastoitava hyvin tuuletettuun paikkaan kauaksi syttymislähteistä.
- Asenna laite ulos. Älä asenna laitetta ulos tai suljettuun ja ei-ilmastoituun ulkopaikkaan.
- Älä käytä muita kuin valmistajan suosittelemia sulatusta tai puhdistusta nopeuttavia prosesseja.
- Laite on varastoitava huoneeseen, jossa ei ole pysyviä syttymislähteitä (kuten avoliekit, käytössä oleva kaasulaite tai käytössä oleva sähkölämmitys).
- Älä puhko tai polta laitetta.
- Huomaa, että R32-kylmäaineesta voi päästä tietynlaista hajua.
- Jäähdytyspiirille on tehtävä vähintään kerran vuodessa vuototesti sovellettavissa olevien ympäristö- ja asennusstandardien ja -asetusten, erityisesti ranskalaisen säädöksen nro 2015-1790 ja/tai eurooppalaisen asetuksen EY 517/2014 noudattamiseksi. Tämän testin saa suorittaa jäähdytyslaitteiden testaamiseen sertifioitu asiantuntija.
- Säilytä näytönohjain kuivassa paikassa, jotta näytönohjain ei vahingoitu kosteuden vuoksi.

### **HUOLTO: R32-KYLMÄAINETTA SISÄLTÄVIÄ LAITTEITA KOSKEVAT VAROITUKSET**

- Kun huollat laitetta, on tarkistettava lämmönsiirtonesteen koostumus ja tila sekä mahdolliset kylmäainejäljet.
- Vuosittaisen sovellettavan lainsäädännön mukaisen laitteen tiiviystestin aikana on tarkistettava korkea- ja matalapainekeytkimet, ja varmistettava että ne ovat kunnolla kiinni kylmäainepiirissä ja että ne katkaisevat sähköpiirin, kun ne käynnistetään.
- Varmista huoltotöiden aikana, ettei jäähdytysosien ympärillä ole jälkiä korroosiosta tai öljystä.
- Älä juota tai hitsaa putkea, jos koneen sisällä on kylmäainetta. Älä täytä kaasulla suljetussa tilassa.

### ***Alueen tarkistus***

- Ennen kuin alat työskennellä helposti syttyviä kylmäaineita sisältävien järjestelmien kanssa, on suoritettava turvatarkastukset minimaalisen syttymisriskin takaamiseksi.

### ***Työmenetelmä***

- Työ on suoritettava valvotun menetelmän mukaisesti, jotta voidaan vähentää helposti syttyvän kaasun tai höyryn vapautumisriski työskentelyn aikana.
- Ennen kuin aloitat työskentelyn jäähdytyspiirissä, sammuta laite ja odota muutama minuutti ennen lämpötila- ja paineantureiden kiinnittämistä. Jotkin osat, kuten kompressori ja putkisto, voivat saavuttaa yli 100 °C:n lämpötilan ja korkeita paineita, joista voi olla seurauksena vakavien palovammojen riski.

### ***Yleinen työskentelyalue***

- Kaikkien ympäröivällä alueella työskentelevien huoltohenkilöiden ja muiden henkilöiden on oltava tietoisia suoritettavasta työstä. Vältä työskentelyä suljetuilla alueilla.

### ***Kylmäaineen läsnäolon tarkastus***

- Alue on analysoitava sopivalla kylmäainetunnistimella ennen työskentelyä ja sen jälkeen, jotta tekniikko on tietoinen mahdollisen myrkyllisen tai helposti syttyvän ilmapiirin olemassaolosta. Tarkista, että käytetty vuodontunnistuslaitteisto sopii käytettäväksi kyseisten kylmäaineiden kanssa, eli että se ei aiheuta kipinöitä, se on oikein eristetty tai täysin turvallinen.

### ***Palosammuttimen läsnäolon tarkastus***

- Jos työskentelet jäähdytyslaitteilla tai muulla siihen liitetyllä osalla, joka on tietyssä lämpötilassa, tarkista että lähettyvillä on palosammutin. Asenna kemiallinen kuivajauhesammutin tai CO<sub>2</sub>-palosammutin työskentelyalueen lähelle.

### ***Ei syttymislähteitä***

- Henkilö, joka työskentelee jäähdytysjärjestelmässä, mikä edellyttää putkiston paljastamista, ei saa käyttää syttymislähteitä, jotka voivat aiheuttaa tulipalo- tai räjähdysriskin. Mitään mahdollisia syttymislähteitä, erityisesti tupakoita, ei saa tuoda tietyn etäisyyden päähän asennus-, korjaus-, poisto- tai hävitysalueelle, koska kylmäaine saattaa vapautua ympärillä olevaan tilaan. Ennen työn aloittamista laitteiston ympärillä oleva alue on tarkistettava, jotta siellä ei ole tulipalo- tai syttymisriskiä. ”Tupakointi kielletty” -kylttejä on asetettava näkyviin.

### ***Alueen tuuletus***

- Ennen kuin teet laitteelle minkäänlaisia huoltotöitä, tarkista että alue on avoin ja hyvin tuuletettu. Riittävä ilmanvaihto on varmistettava koko huoltotyön ajan, jotta mahdollisesti ilmakehään vapautuva kylmäaine saadaan turvallisesti hajautettua.

### ***Kylmäainelaitteen tarkistus***

- Noudata aina valmistajan huoltoon ja ylläpitoon liittyviä suosituksia. Kun vaihdat sähköosia, tarkista että käytät saman tyyppin ja luokan osia kuin valmistajan suosittemat/hyväksymät osat. Jos olet epävarma, ota yhteys valmistajan tekniseen osastoon ja pyydä apua.
- Seuraavat tarkistukset on tehtävä helposti syttyviä kylmäaineita käyttäville kokoonpanoille:
  - jos käytetään epäsuoraa jäähdytyspiiriä, on analysoitava, onko toisessa piirissä kylmäainetta;
  - laitteessa olevien merkintöjen on oltava näkyvissä ja luettavissa; kaikki epäselvät merkinnät tai merkit on korjattava;
  - jäähdytyspiirin letkut tai osat on asennettava sellaiseen asentoon, jossa ne eivät todennäköisesti altistu millekään aineelle, joka voi syövyttää kylmäainetta sisältävät osat, paitsi jos osat on valmistettu materiaaleista, jotka kestävät yleisesti korroosiota tai ne on oikein suojattu tällaiselta korroosiolta.

### ***Sähköosien tarkistus***

- Sähköosien korjauksen ja huollon on sisällettävä alustavat turvatarkastukset ja osien tarkastusmenetelmät. Jos turvallisuutta vaarantava vika havaitaan, älä kytke mitään virtalähdettä piiriin, ennen kuin ongelma on kokonaan ratkaistu. Jos vikaa ei voida korjata heti ja jos huoltotyön on jatkuttava, on löydettävä sopiva väliaikainen ratkaisu. Tästä on ilmoitettava laitteen omistajalle, jotta kaikki laitetta koskevat henkilöt ovat tietoisia ongelmasta.

- Sähköosien korjauksen ja huollon on sisällettävä seuraavat alustavat turvatarkastukset:
  - kondensaattorit on tyhjennetty; tämä on suoritettava turvallisesti kaikkien syttymisriskien ehkäisemiseksi;
  - yksikään sähköosa tai jännitteinen johto ei ole paljastettuna järjestelmän latauksen, huollon tai tyhjennyksen aikana;
  - järjestelmän on oltava maadoitettuna koko ajan.

#### ***Eristettyjen osien korjaus***

- Kun korjaat eristettyjä osia, kaikkien virtalähteiden on oltava irti laitteesta, jossa työ suoritetaan ennen eristyskannen jne. irrottamista. Jos laitteen on saatava virtaa huoltotyön aikana, vuodontunnistimen on valvottava jatkuvasti mahdollisia vuotoja kriittisimmässä kohdassa, jotta se voi ilmoittaa kaikista mahdollisista vaaratilanteista.
- Ota erityisesti huomioon seuraavat seikat varmistaaksesi, että työskennellessäsi sähköosien kanssa kotelo ei muutu niin, että se vaikuttaisi suojausluokkaan. Tämä sisältää vaurioituneet johdot, liialliset liitännät, alkuperäisten teknisten tietojen vastaiset lohkot, vahingoittuneet tiivisteet, kaapeliläpivientien virheellisen asennuksen jne.
- Varmista, että laite on kunnolla kiinnitetty.
- Varmista, että tiivistys- tai eristysmateriaalit eivät ole vahingoittuneet niin, että ne eivät enää ehkäise helposti syttyvää ilmapiiriä pääsemästä piiriin. Varaosien on oltava valmistajan teknisten tietojen mukaisia.

#### ***Luonnostaan vaarattomien osien korjaus***

- Älä käytä mitään pysyvää sähkökapasitanssia tai induktiovarausta piirissä ennen kuin tarkistat, että se ei ylitä sallittua jännitettä ja voimakkuutta käytetylle laitteelle.
- Tavallisesti turvalliset osat ovat ainoita osatyyppejä, joita voidaan työstää helposti syttyvässä ilmapiirissä virran ollessa päällä. Testilaitteen tuloksen on oltava sopivan luokituksen sisällä.
- Vaihda osat vain valmistajan määrittämillä osilla. Muut osat voivat aiheuttaa kylmäaineen vuotoa ja syttymistä ilmapiirissä.

#### ***Johdotus***

- Tarkista, että johdoissa ei ole merkkejä kulumisesta, korroosiosta, liiallisesta paineesta, tärinästä, terävistä reunoista tai muusta ympäristölle haitallisesta viasta. Tarkistuksessa tulee myös ottaa huomioon sellaisten lähteiden, kuten kompressorien tai tuulettimien, aiheuttamien jatkuvan tärinän tai vanhenemisen vaikutukset.

#### ***Tulenaran kylmäaineen tunnistus***

- Potentiaalisia syttymislähteitä ei saa käyttää missään olosuhteissa kylmäainevuotojen hakemiseen tai tunnistamiseen. Vuotolamppua (tai muuta avoliekkiä käyttävää tunnistinta) ei saa käyttää.
- Seuraavia vuodontunnistustapoja voidaan pitää hyväksyttävänä kaikille jäähdytysjärjestelmille.
- Kylmäainevuotoja voidaan etsiä elektronisilla vuodontunnistimilla. Kun kyseessä on helposti syttyvät kylmäaineet, herkkyystaso ei kuitenkaan ole ehkä sopiva tai uudelleenkalibrointia tarvitaan. (Tunnistuslaite on kalibroitava alueella, jossa ei ole kylmäainetta). Tarkista, että tunnistin ei ole potentiaalinen syttymislähde, ja että se sopii käytetylle kylmäaineelle. Vuodontunnistuslaite on säädettävä kylmäaineen alemman syttymisrajan (LFL) prosenttilukuun sopivaksi, ja se on kalibroitava käytetyn kylmäaineen mukaan. Sopiva kaasuprosentti (enintään 25 %) on vahvistettava.
- Vuodontunnistusnesteet sopivat myös useimmille kylmäaineille. On kuitenkin vältettävä klooria sisältäviä aineita, sillä ne voivat reagoida kylmäaineen kanssa ja aiheuttaa kupariputkien korroosiota.
- Jos vuotoa havaitaan, kaikki avoliekit on poistettava/sammutettava.
- Jos kylmäainevuoto havaitaan, ja se edellyttää juottamista, koko kylmäaine on poistettava järjestelmästä tai eristettävä (sulkuventtiileillä) järjestelmän osaan, joka on kaukana vuodosta.

#### ***Poistaminen ja hävittäminen***

- Kun jäähdytyspiiriin on päästävä korjausta tai muuta syytä varten, on käytettävä perinteisiä menetelmiä. Helposti syttyviä kylmäaineita koskien on noudatettava suosituksia ottaen huomioon tuotteen syttyvyys. Noudata seuraavaa menetelmää:

- poista kylmäaine;
- tyhjennä piiri inertillä kaasulla (valinnainen A2L-kylmäaineille);
- tyhjennä (valinnainen A2L-kylmäaineille);
- tyhjennä inertillä kaasulla (valinnainen A2L-kylmäaineille);
- avaa piiri leikkaamalla tai juottamalla.
- Kylmäainetäytös on peitettävä uudelleen sopivilla keräyssylintereillä. Laitteille, jotka sisältävät muita kuin A2L-kylmäaineita, järjestelmään on laitettava tyypellä, joka ei sisällä happea, jotta laite voi vastaanottaa helposti syttyviä kylmäaineita. Sinun on ehkä toistettava tämä prosessi useamman kerran. Jäähdytyspiirejä ei saa tyhjentää paineilmalla tai hapella.

### **Täyttömenetelmät**

- Tarkista, että imupumpun ulostulo ei sijaitse mahdollisen syttymislähteen läheisyydessä ja että alueella on hyvä ilmanvaihto.
- Perinteisten täyttömenetelmien lisäksi on käytettävä seuraavia vaatimuksia.
- Tarkista, että eri kylmäaineiden välillä ei tapahdu ristikontaminaatiota, kun täyttölaitetta käytetään. Letkujen ja putkien on oltava mahdollisimman lyhyitä niiden sisältämän kylmäainemäärän vähentämiseksi.
- Sylinterit on pidettävä sopivassa asennossa ohjeiden mukaisesti.
- Tarkista, että jäähdytysjärjestelmä on maadoitettu ennen järjestelmän täyttämistä kylmäaineella.
- Merkitse järjestelmä, kun täyttö on suoritettu (jos näin ei jo ole).
- Varo ylitäytämästä jäähdytysjärjestelmää.
- Ennen järjestelmän täyttämistä uudelleen tee painetesti sopivalla tyhjennyskaasulla. Tutki järjestelmä varmistaaksesi, ettei se vuoda täyttötoiminnon jälkeen ja ennen käyttöönottoa. Tee jälkivuototesti ennen kuin lähdet pois paikalta.

### **Purkaminen**

- Teknikon on tutustuttava laitteeseen ja sen teknisiin tietoihin ennen purkamista. Suosittelemme, että keräät huolellisesti kaikki kylmäaineet talteen. Ennen sitä on otettava öljy- ja kylmäainenäytteet, jos on suoritettava analyyseja ennen muun talteen kerätyn kylmäaineen käyttöä. Tarkista, onko virtalähde käytössä ennen työn aloittamista.
1. Tutustu laitteeseen ja sen toimintaan.
  2. Eristä järjestelmä sähköisesti.
  3. Tarkista seuraavat kohdat ennen työn aloittamista:
    - mekaaninen käsittelylaite on käytettävissä, jos kylmäainesylintereitä on käsiteltävä;
    - kaikki henkilösuojuimet ovat käytettävissä, ja niitä käytetään oikein;
    - keräysprosessista tietoinen henkilö noudattaa prosessia koko ajan;
    - keräyssylinterit ja -laitteet ovat asianmukaisten standardien mukaisia.
  4. Tyhjennä jäähdytysjärjestelmä, jos se on mahdollista.
  5. Jos imutoimintoa ei voida luoda, asenna imusarja, jotta kylmäaine voidaan poistaa järjestelmän useista paikoista.
  6. Varmista, että sylinteri sijaitsee vaakojen päällä ennen keräystoimintojen aloittamista.
  7. Käynnistä keräysyksikkö ja käytä sitä ohjeiden mukaisesti.
  8. Älä ylitäytä sylintereitä (ne saa täyttää nesteellä enintään 80 % niiden tilavuudesta).
  9. Älä ylitä sylinterin enimmäistyyppipainetta edes väliaikaisesti.
  10. Kun sylinterit on täytetty oikein ja prosessi on suoritettu, tarkista, että sylinterit ja laite poistetaan nopeasti työpaikalta ja että laitteen vaihtoehtoiset sulkuventtiilit on suljettu.
  11. Talteen kerättyä kylmäainetta ei saa laittaa toiseen jäähdytysjärjestelmään, ellei sitä ole puhdistettu ja tarkastettu.

### **VIANMÄÄRITYS**

- Kaikki juotostyöt on suoritettava pätevien juottajien toimesta.
- Vaihtoputket tulee aina olla valmistettu kuparista NF EN 12735-1-standardin mukaisesti.
- Vuodontunnistus; painetesti;
  - älä koskaan käytä happea tai kuivaa ilmaa; tulipalo- tai räjähdysriski,

- käytä kuivaa tyypeä tai tyypen ja kylmäaineen sekoitusta, kuten on ilmoitettu tietokyltissä,
  - sekä korkea- että alipainepiirien testipaine ei saa ylittää 42 baaria silloin, kun laite on varustettu valinnaisella painemittarilla.
- Korkeapainepiiriputket on valmistettu kuparista, ja niiden läpimitta on sama tai suurempi kuin 1”5/8. Tavarantoimittajalta on pyydettävä NF EN 10204 -standardin mukainen todistus, kuten on ilmoitettu kohdassa §2.1, ja se on arkistoitava kokoonpanon tekniseen kansioon.
  - Tietokyltissä ilmoitetaan erilaisten sovellettavissa olevien direktiivien turvavaatimusten mukaiset tekniset tiedot. Kaikki nämä tiedot on kirjattava laitteen asennusoppaaseen, joka on säilytettävä sen teknisessä kansiossa: malli, koodi, sarjanumero, OT:n enimmäis- ja vähimmäisarvot, OP, valmistusvuosi, CE-merkintä, valmistajan osoite, kylmäaine ja paino, sähköparametrit, termodynaaminen ja akustinen suorituskyky.

### **MERKINTÄTARRA**

- Laite on merkittävä tarralla, jossa mainitaan että se on pois käytöstä ja että kylmäaine on poistettu laitteesta.
- Tarrassa on oltava päivämäärä ja allekirjoitus.
- Jos laitteessa on helposti syttyvää kylmäainetta, tarkista että laitteessa on tarrat, joissa mainitaan, että laite sisältää helposti syttyvää kylmäainetta.

### **TALTEENKERÄYS**

- Kun kylmäaine poistetaan huoltoa tai laitteen käytöstä poistoa varten, noudata parhaita käytäntöjä kaiken kylmäaineen poistamiseksi turvallisesti.
- Kun siirät kylmäaineen sylinteriin, varmista että käytät keräyssylinteriä, joka on yhteensopiva kylmäaineen kanssa. Varmista, että sinulla on oikea määrä sylintereitä kaiken kylmäaineen talteen keräämiseksi. Kaikkien sylintereiden on oltava sopivia kylmäaineen keräämiseen, ja niissä on oltava merkintätarra tälle tietylle kylmäaineelle. Sylintereissä on oltava toimiva imuventtiili ja pysäytysportti. Tyhjat keräyssylinterit on tyhjennettävä ja, aina kun mahdollista, jäähdytettävä ennen talteen keräystä.
- Keräyslaitteiden on oltava hyvässä toimintakunnossa, laitteen käyttöohjeet on oltava käden ulottuvilla ja laitteen on oltava yhteensopiva kyseisen kylmäaineen kanssa, mukaan lukien kun tarpeen, helposti syttyvän kylmäaineen kanssa. Lisäksi käytössä on oltava sarja hyvin toimivia kalibroituja vaakoja. Putkiston tulee olla täydellinen, siinä ei saa olla vuotoja tai irti kytkettyjä liittimiä, ja sen tulee olla hyvässä kunnossa. Ennen keräyslaitteen käyttöä tarkista, että se on hyvässä toimintakunnossa, se on huollettu hyvin ja että siihen liittyvät sähköosat on tiivistetty, jotta voidaan ehkäistä tulipaloriski siinä tapauksessa, jos kylmäainetta pääsee vapautumaan. Jos olet epävarma jostakin, ota yhteys valmistajaan.
- Talteen kerätty kylmäaine on lähetettävä kylmäaineen toimittajalle keräyssylinterissä ja varustettuna jätteesiirtoilmoituksella. Älä sekoita kylmäaineita keräyslaitteissa ja erityisesti sylintereissä.
- Jos kompressori on irrotettu tai jos kompressorin öljy on tyhjennetty, tarkista että kylmäaine on poistettu kokonaan, jotta se ei sekoitu voiteluaineen kanssa. Tyhjennysprosessi on suoritettava ennen kuin kompressori palautetaan sen toimittajalle. Tämän prosessin nopeuttamiseen voi käyttää vain kompressorin rungon sähkölämmittintä. Tämä toiminto voidaan suorittaa turvallisesti, kun kaikki järjestelmän nesteet on poistettu.



### **KIERRÄTYS**

Eurooppalainen direktiivi DEEE 2012/19/EU (sähkö- ja elektroniikkaromudirektiivi) edellyttää tätä symbolia, ja se tarkoittaa, että laitettasi ei saa heittää tavalliseen roskakoriin. Se on hävitettävä valikoidusti uudelleenkäyttöä, kierrätystä tai muuntamista varten. Jos se sisältää ympäristölle mahdollisesti haitallisia aineita, nämä aineet on eliminoitava tai tehtävä vaarattomiksi. Pyydä tietoja kierrätyksestä jälleenmyyjältäsi.

# MINILÄMMITIN

## Käyttö- ja huolto-opas

### HAKEMISTO

1. Tekniset tiedot
2. Kuljetustiedot
3. Mitat
4. Asennus ja liitäntä
5. Sähköjohdot
6. Näytönohjaimen käyttö
7. Vianmääritys
8. Räjähdyskaavio
9. Huolto
10. Tarvikkeet



**HUOMIO: Tämä opas sisältää kaikki tarvittavat tiedot lämpöpumpun käytöstä ja asennuksesta.**

Asentajan on luettava opas ja noudatettava sen käyttöönotto- ja huolto-ohjeita.

Asentaja on vastuussa tuotteen asennuksesta, ja hänen on noudatettava valmistajan ohjeita ja voimassa olevia säännöksiä. Virheellinen asennus mitätöi takuun.

Valmistaja ei ole vastuussa kolmansien osapuolten, laitteeseen työntyneen esineen tai käyttöoppaan ohjeiden noudattamatta jättämisestä aiheutuneiden asennusvirheiden aiheuttamista vahingoista. Kaikki käyttö, joka ei ole valmistajan tarkoittamaa, mitätöi takuun.

Kiitos, kun käytät minilämmitintä uima-altaasi lämmittämiseen. Se lämmittää altaasi veden ja säilyttää tasaisen lämpötilan, kun ympäröivä ilman lämpötila on yli 12 °C



# 1. Tekniset tiedot

## 1.1 Altaan lämpöpumppujen tekniset tiedot

Tuote	HPM20	HPM30	HPM40
Koodi	71245	71258	71606
<b>* Lämmityskapasiteetti, kun ilman lämpötila on 28°C, veden lämpötila 28°C, ja kosteus 80 %</b>			
Lämmityskapasiteetti (kW)	2,5	4,2	5,5
Virrankulutus (kW)	0,59	1	1,31
COP	4,2	4,2	4,2
<b>* Lämmityskapasiteetti, kun ilman lämpötila on 15°C, veden lämpötila 26°C, ja kosteus 70 %</b>			
Lämmityskapasiteetti (kW)	1,9	3,2	4,2
Virrankulutus (kW)	0,56	0,91	1,2
COP	3,4	3,5	3,5
<b>* Yleiset tiedot</b>			
Jännite (V)	220-240V~50Hz/1PH		
Nimellisvirta (A)	2,6	4,4	5,8
Sulakkeen virta (A)	7,5	10	16
Altaan maksimitilavuus**(m <sup>3</sup> )	<20	<30	<40
Veden minimi- ja suositeltuvirtaus (m <sup>3</sup> /h)	2	2	2,5
Maksimi- ja minimikäyttöpaine (Mpa)	4,2/0,05		
Vedenpaineen lasku (Kpa)	15	15	15
Lämmönvaihdin	Titaani-lämmönvaihdin PVC-muovia		
Suojausluokka	IPX4		
Vesiletku sisään-ulos (mm)	38/32		
Melutaso (10 m) dB(A)	48	46	46
Melutaso (1 m)	57	55	55
Kylmäainetyyppi (R32)	160	290	400
<b>* Mitat/paino</b>			
Nettopaino (kg)	18	26	30
Kokonaispaino (kg)	19	28,5	33
Nettomitat (mm)	313*364,5*428,5	435*436,5*511,5	515*487*541,5
Pakkausmitat (mm)	380*455*500	496*525*575	570*570*605

\* Yllä olevat tiedot voivat muuttua ilman ilmoitusta.

\*\* Katso lisätietoja pakkauksesta tai verkkosivustolta.

## 2. Kuljetustiedot

### 2.1 Pakkauksen toimitus



Kuljetuksen ajaksi lämpöpumput on kiinnitettävä kuormalavaan ja peitettävä kartonkilaatikolla. Vahinkojen välttämiseksi lämpöpumppu on kuljetettava sen omissa pakkauksessa.

Vastaanottajan vastuulla on ilmoittaa mahdollisista kuljetuksen aikana tapahtuneista vahingoista 48 tunnin sisällä. Kun laitteen vastaanotto on allekirjoitettu, vahingoista ei voi ottaa enää vastuuta.

### 2.2 Varastointitiedot



\* Varaston on oltava valoisa, tilava, avoin, hyvin tuuletettu, varustettu ilmanvaihtolaitteistolla, eikä siellä saa olla tulipalon lähteitä.

\* Lämpöpumppu on varastoitava ja kuljetettava pystyasennossa sen alkuperäisessä pakkauksessa. Muussa tapauksessa sitä ei voida käyttää vähintään 24 tuntiin, jonka jälkeen laitteen sähkövirran voi kytkeä päälle.

**KIELLETTY**



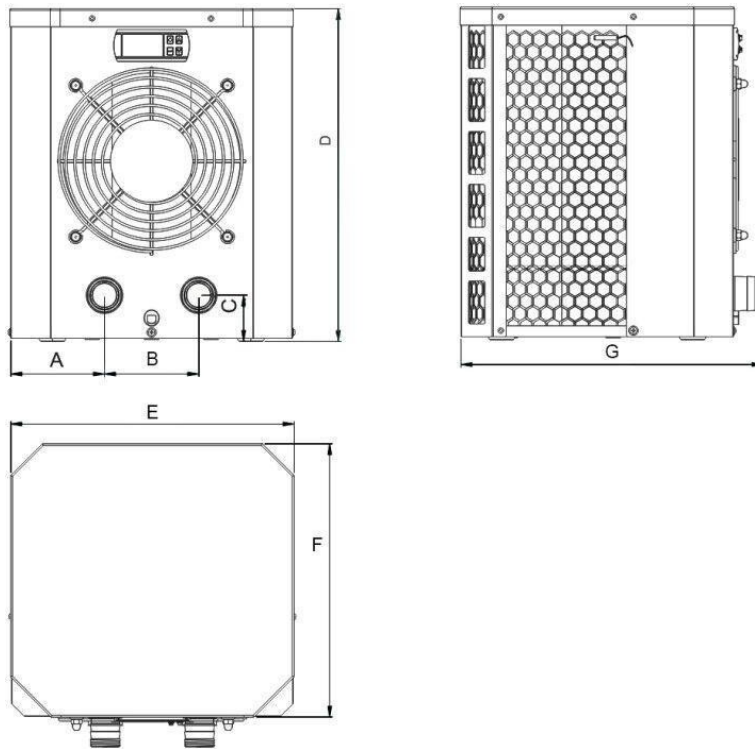
### 2.3 Siirto lopulliseen sijaintiin

\* Lämpöpumppu on pidettävä pystyasennossa pakkauksen poistamisen ja siirron aikana kuljetuslavalta lopulliseen asennuspaikkaan.

\* Tupakointi ja liekkien käyttö R32-koneen lähellä on kiellettyä.

Vesiliitäntää ei saa käyttää kuorman kantokahvoina. Valmistaja ei ole vastuussa, jos vesiletkut vahingoittuvat.

### 3. Mitat



Tuote / (mm)	A	B	C	D	E	F	G
HPM20	90,4	130	50	428,5	313	300	364,5
HPM30	116,5	200	50	511,5	435	365	436,5
HPM40	134,6	260	50	541,5	515	421	487

## 4. Asennus ja liitäntä

### Huomio:

Seuraa seuraavia sääntöjä lämpöpumpun asennuksen aikana:

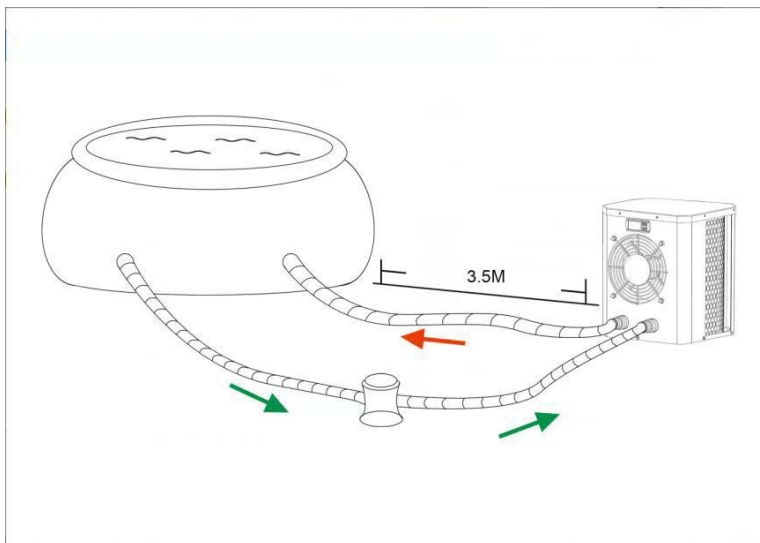
1. Kemikaalien lisääminen on tehtävä putkissa, jotka sijaitsevat lämpöpumpun **tulosuunnassa**.
2. Pidä lämpöpumppu aina pystysuorassa. Jos laitetta pidetään kulmassa, odota vähintään 24 tuntia ennen kuin otat päävirran käyttöön lämpöpumpussa.

### 4.1 Lämpöpumpun sijainti

Laitte toimii oikein missä tahansa haluamassasi paikassa, kunhan kolme seuraavaa asiaa toteutuu:

- 1. Raikas ilma – 2. Sähkö – 3. Uima-altaan suodattimet**

Laitteen voi asentaa käytännössä mihin tahansa paikkaan **ulkona**, kunhan noudatetaan erityisiä minimietäisyyksiä muihin esineisiin (katso alla olevat piirustukset). Ota yhteys asentajaasi, jos haluat asentaa laitteen sisäuima-altaaseen. Tuuliseen paikkaan asennus ei aiheuta minkäänlaisia ongelmia.



**HUOMIO:** Älä koskaan asenna laitetta suljettuun huoneeseen, jossa on rajoitettu ilmamäärä ja jossa laitteesta poistuvaa ilmaa käytetään uudelleen, tai lähelle pensaikkoa, joka voisi tukkia ilmantuloaukon. Tällaiset sijainnit haittaavat jatkuvaa raikkaan ilman syöttöä, mistä on seurauksena vähentynyt tehokkuus ja mahdollisesti riittävän lämmöntuoton ehkäiseminen.

### 4.2 Alustava käyttö

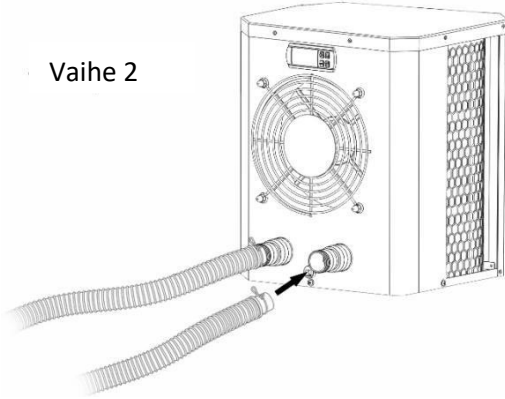
**Huomautus:** Jos haluat lämmittää altaan (tai porealtaan) veden, suodatinpumpun on oltava käynnissä, jotta vesi kiertää lämpöpumpun läpi. Jos vesi ei virtaa pumpun läpi, lämpöpumppu käynnistää ylikuumenemissuojan ja sammuu.

### 4.3 Letkun liittäntä

Vaihe 1



Vaihe 2



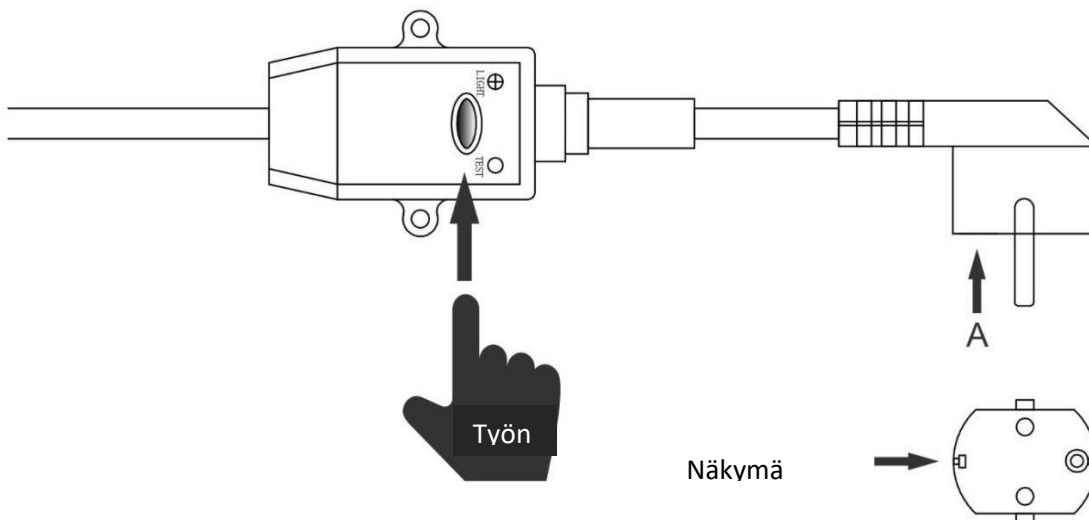
#### Huomautus:

Tehdas toimittaa vain lämpöpumpun. Käyttäjän tai asentajan on toimitettava muut osat, kuten kaksi letkua.

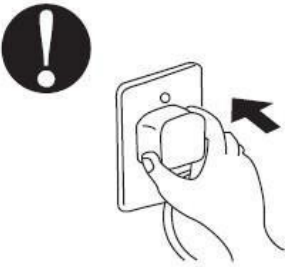
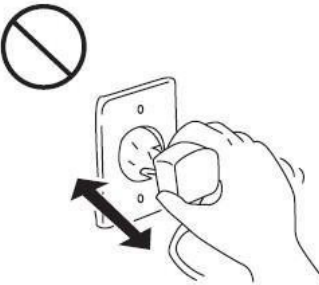
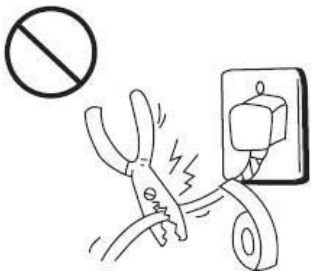
### 4.4 Sähköliittäntä

Ennen laitteen liittämistä tarkista, että syöttöjännite vastaa lämpöpumpun käyttöjännitettä. RCD-pistoke on virtajohdossa, mikä voi tarjota sähkösuojan.


Testipainikkeella voidaan tarkistaa virrankatkaisijan toiminta.



## Huomio:

<p><b>Varmista, että pistoke on turvallisesti kiinni.</b></p> <p>Jos se ei ole turvallisesti kiinni, seurauksena voi olla sähköisku, ylikuumentuminen tai tulipalo</p> 	<p><b>Älä koskaan vedä virtajohdosta käytön aikana</b></p> <p>Muuten seurauksena voi olla sähköisku tai ylikuumentumisen aiheuttama tulipalo.</p> 	<p><b>Älä koskaan käytä vioittuneita sähköjohtoja tai määrittelemättömiä sähköjohtoja.</b></p> <p>Muuten seurauksena voi olla sähköisku tai tulipalo.</p> 
--	---	---

Kun kaikki liitännät on tehty ja tarkistettu, tee seuraava toimenpide:

1. Kytke suodatinpumppu päälle. Tarkista, onko vuotoja ja että vesi virtaa uima-altaasta ja uima-altaaseen.
2. Kytke virta lämpöpumppuun ja paina On/Off-painiketta  elektronisessa ohjauspaneelissa. Laite käynnistyy, kun aikaviive umpeutuu (katso alla).
3. Tarkista muutaman minuutin kuluttua, tuleeko ilma ulos laitteen jäähdyttimestä.
4. Kun suodatinpumppu on sammutettu, laitteen tulisi myös sammua automaattisesti.
5. Anna lämpöpumpun ja suodatinpumpun olla käynnissä 24 tuntia päivässä, kunnes haluttu veden lämpötila on saavutettu. Lämpöpumppu lakkaa toimimasta tässä vaiheessa. Tämän jälkeen se käynnistyy automaattisesti uudelleen (kunhan suodatinpumppu on käynnissä) aina kun uima-altaan veden lämpötila tippuu 2 astetta alle asetetun lämpötilan (esimerkiksi, jos asetit lämpötilan 28 asteeseen, lämpöpumppu sammuu, kun lämpötila on 28 °C) Ja se käynnistyy uudelleen, kun veden lämpötila laskee 26 °C:seen).

Riippuen uima-altaan veden alkuperäisestä lämpötilasta ja ilman lämpötilasta veden lämpeneminen haluttuun lämpötilaan voi kestää useita päiviä. Hyvä uima-altaan kansi voi vähentää huomattavasti veden lämpenemiseen vaadittua aikaa.

**Aikaviive** - Lämpöpumpussa on kiinteä 3 minuutin käynnistysviive, joka suojaa kytkentöjä ja estää sähkökytkimen kulumisen. Laite käynnistyy automaattisesti uudelleen sen jälkeen, kun tämä aikaviive umpeutuu. Aivan pienikin virrankatkaisu laukaisee tämän aikaviiveen ja estää laitteen käynnistymästä uudelleen heti. Ylimääräinen virrankatkaisu tämän aikaviiveen aikana ei vaikuta viiveen 3 minuutin keston.

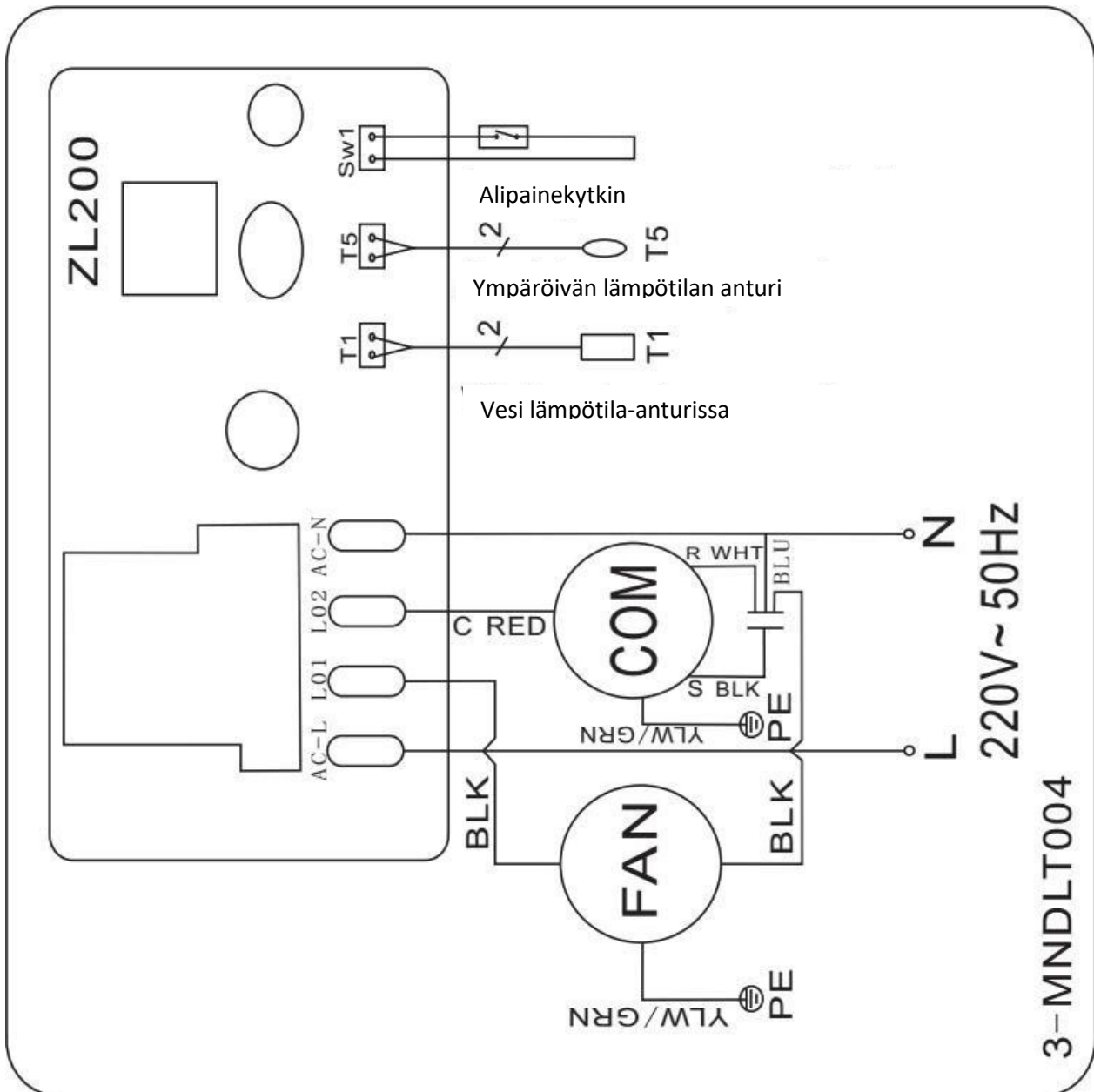
### 4.5 Veden tiivistyminen

Lämpöpumppuun imetty ilma jäähtyy, kun lämpöpumppu toimii ja lämmittää altaan veden, mikä voi aiheuttaa veden tiivistymisen haihduttimen siivekkeissä. Tiivistymisen määrä voi olla jopa useita litroja tunnissa, kun ilma on erittäin kostea. Tiivistynyt vesi tyhjenee lämpöpumpun pohjasta. Tätä voi joskus epähuomiossa luulla vesivuodoksi. .

## 5. Sähköjohdot

### 5.1 Uima-altaan lämpöpumpun johtokaavio

Koodi; HPM20

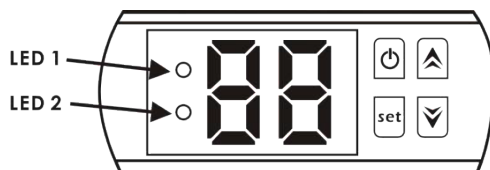






## 6. Näytönohjaimen käyttö

### 6.1 Langallisen LED-ohjaimen painikkeet




**Kun lämpöpumppu on käynnissä, LED-näytössä näkyy veden tulolämpötila.**

LED 1 on päällä, kun kompressori on

käynnissä. LED 2 on päällä, kun

laitteessa on vika.



### 6.2 Lämpöpumpun käynnistäminen/sammuttaminen

Paina  käynnistääksesi lämpöpumpun, LED-näytössä näkyy veden asetustempötila 5 sekunnin ajan, sen jälkeen veden tulolämpötila.

Paina  uudelleen lämpöpumpun sammuttamiseksi.






### 6.3 Veden lämpötilan säätö

Paina  tai  suoraan säätääksesi veden lämpötilaa (lämpötilaväli: 10-42 °C) Paina

 tai  tallentaaksesi asetukset ja poistu sitten.

**HUOMAUTUS:** lämpöpumppu voi toimia vain, jos vesikierto/suodatusjärjestelmä on käynnissä.

### 6.4 Parametrien tarkistus

Paina , se siirtyy parametrin tarkistukseen, Paina  tai  ja valitse koodi d0/d1, paina  uudelleen, se näyttää mitatun arvon. Lopuksi poistu painamalla  .

Koodi	Parametri
d0	Ympäröivä lämpötila
d1	Veden lämpötila

**Huomautus:** Loppukäyttäjät eivät voi asettaa parametritietoja.

## 7. Vianmääritys

### 7.1 Virhekoodi LED-ohjaimessa

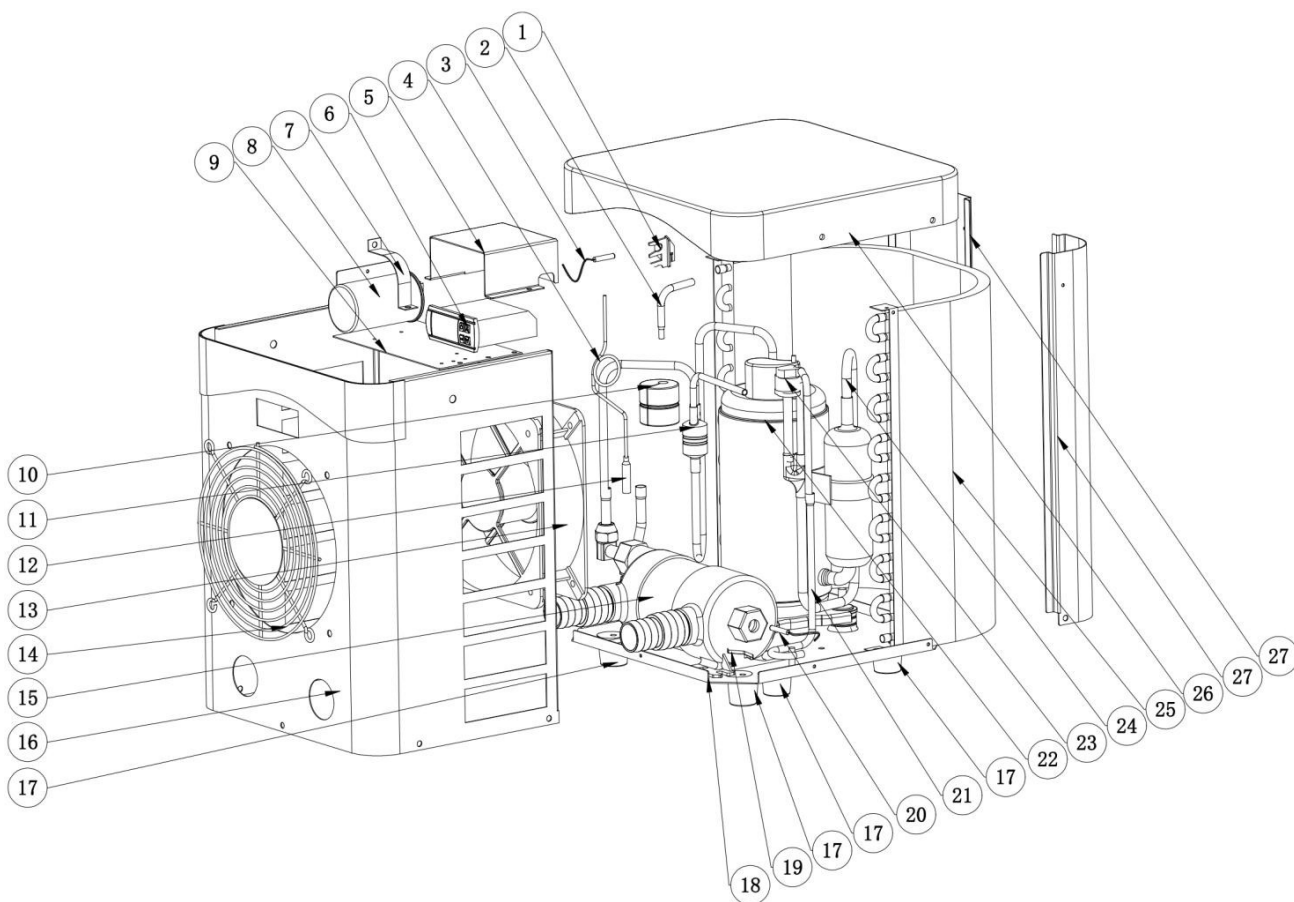
Toimintahäiriö	Koodi	Syy	Ratkaisu
Liian alhainen lämpötilan suojaus	P0	1. Ympäröivä lämpötila on alle 12°C 2. Ohjainvika.	1. Odota, että ympäröivä lämpötila nousee 13 °C:seen. 2. Vaihda uuteen ohjaimeen.
Veden lämpötila-anturin vika	P1	Veden lämpötila-anturin tyhjäkäynti tai oikosulku.	Vaihda anturi uuteen veden lämpötila-anturiin.
Ympäröivän lämpötila-anturin vika	P2	Ympäröivän lämpötila-anturin tyhjäkäynti tai oikosulku.	Vaihda anturi uuteen ympäröivään lämpötila-anturiin.
Alipainesuoja	EL	1. Alipainekytin katkaistu tai viallinen. 2. Kaasuvuoto.	Ammattiteknikoiden on korjattava se.

## 7.2 Muut toimintahäiriöt ja ratkaisut (ei näyttöä langallisessa LED-ohjaimessa)

Toimintahäiriöt	Tarkkailu	Syy	Ratkaisu
Lämpöpumpu ei toimi	Langallisessa LED-ohjaimessa ei ole näyttöä.	Ei virtalähdettä.	Tarkista, ovatko johto ja virrankatkaisin kytketty.
	Langallinen LED-ohjain näyttää todellisen veden lämpötilan.	1. Veden lämpötila saavuttaa asetusarvon, HP on alle lämpötilan jatkuvan tilan. 2. Lämpöpumppu käynnistyi juuri.	1. Tarkasta veden lämpötila-asetukset. 2. Lämpöpumpun käynnistys muutaman minuutin jälkeen.
Lyhyt käyttöaika	LED-näyttö näyttää todellisen veden lämpötilan, ei virhekoodeja.	1. Tuuletin EI toimi. 2. Ilmanvaihto ei ole riittävä. 3. Kylmäainetta ei ole riittävästi.	1. Tarkista johtoliitännät moottorin ja tuulettimen väliltä, se tulee vaihtaa tarvittaessa. 2. Tarkista lämpöpumpun sijainti ja poista kaikki esteet varmistaaksesi hyvän ilmanvaihdon. 3. Vaihda tai korjaa lämpöpumppu. Ammattilaisteknikon on korjattava se.
Vesitahroja	Vesitahroja lämpöpumpussa.	1. Betonivalu. 2. Vesivuoto.	1. Ei toimia. 2. Tarkista huolellisesti, onko titaani-lämmönvaihtimessa vikoja.

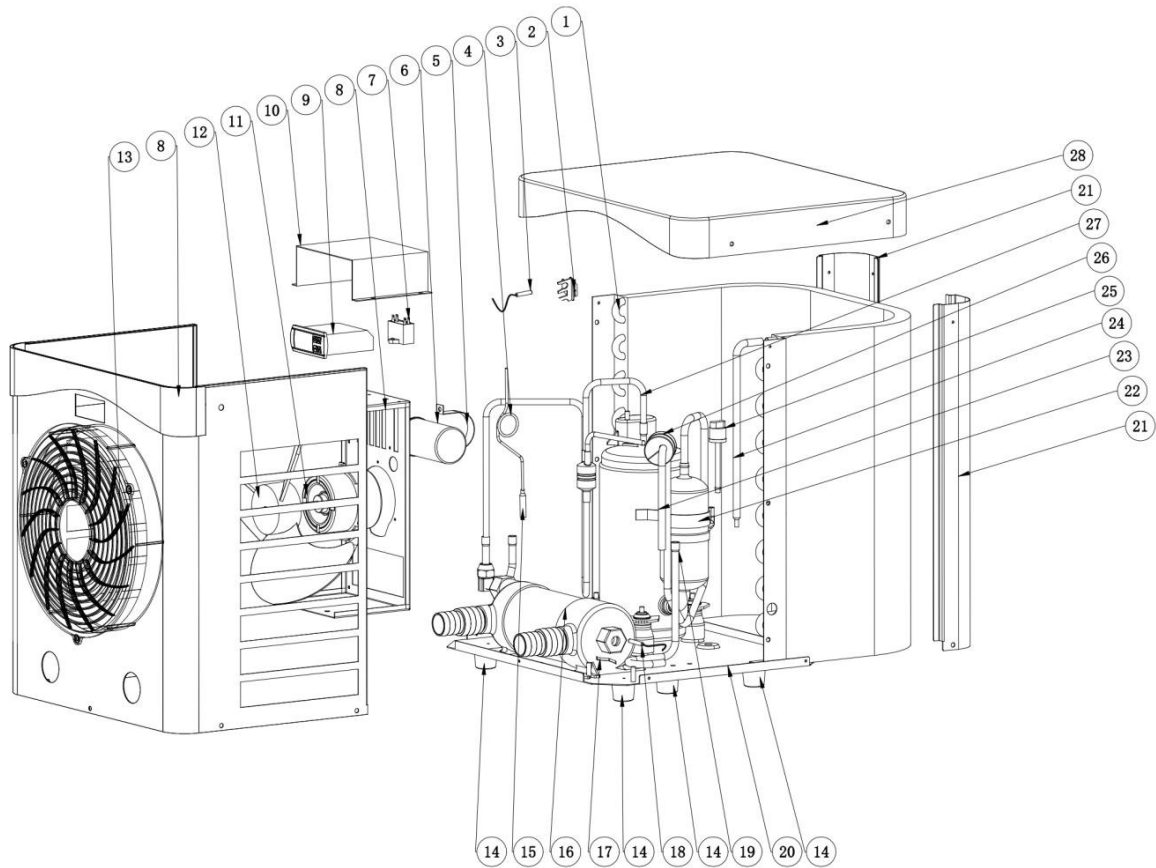
## 8. Räjähdykskaavio

Yksikkö: HPM20



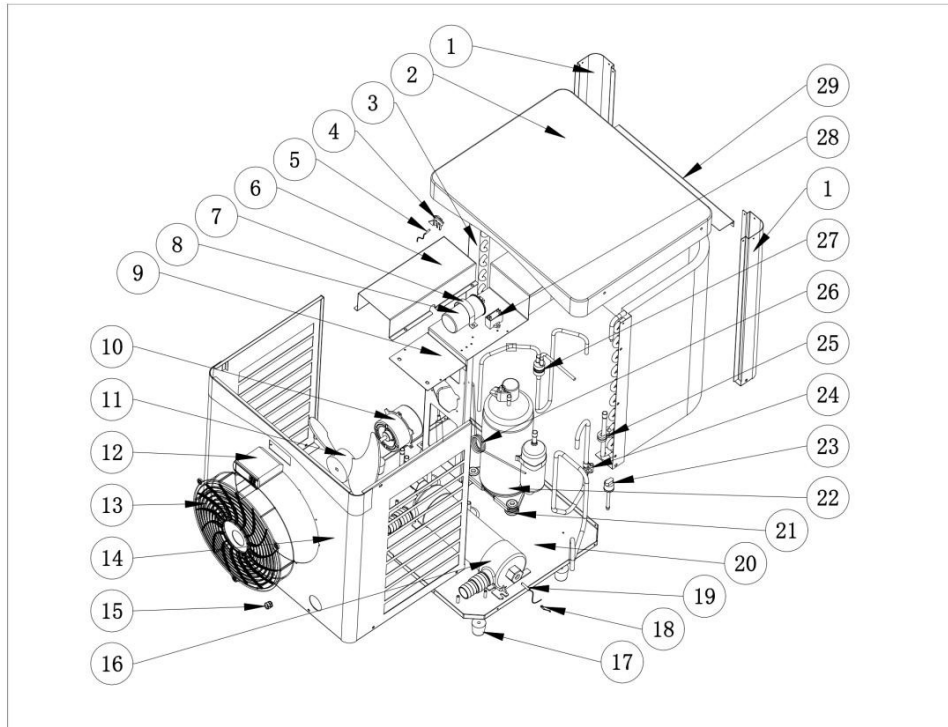
Nr o	Varaosat	HPM20	Nr o	Varaosat	HPM20
1	Ympäröivä lämp. anturin klipsi	102040891	15	Titaani-lämmönvaihdin	102040891
2	Kupariputki	108680047	16	Etupaneeli	108680047
3	Ympäröivä lämp. Anturi T5	136020168	17	Kumijalat	136020168
4	Kapillaari	108680045	18	Pohja	108680045
5	Sähkölaatikko	108010025	19	Klipsi	108010025
6	Ohjain	117110068	20	Veden lämp. Anturi T1	117110068
7	Kompressorin kapasitenssiklipsi	113050123	21	Kaasun keräysputki	113050123
8	Kompressorin kapasitenssi	101000233	22	Kompressori	101000233
9	Tuuletinmoottorin ylälevy	116000091	23	Alipainekytin	116000091
10	Iskunkestävä kumivasara	113010300	24	Poistoputki	113010300
11	Kaasun palautusputki	103000236	25	Haihdutin	103000236
12	Kupariputki	133400001	26	Yläkansi	133400001
13	Tuuletinmoottorin kokoonpano	108680046	27	Pilari	108680046
14	Eturitiä				

Yksikkö: HPM30



Nro	Varaosat	HPM30	Nro	Varaosat	HPM30
1	Haihduutin	103000237	15	Kupariputki	113100027
2	Ympäröivä lämp. anturin klipsi	133020010	16	Titaani-lämmönvaihdin	102040900
3	Ympäröivä lämp. Anturi T5	117110079	17	Klipsi	108010025
4	Kapillaari	109000038	18	Veden lämp. Anturi T1	117110068
5	Kompressorin kapasitenssi	108010006	19	Kaasun keräysputki	113050125
6	Kompressorin kapasitenssi	111000011	20	Pohja	108690033
7	Tuulettimen kondensaattori	111000034	21	Pilari	108690048
8	Etupaneelin kokoonpano	108690047	22	Kompressori	101000232
9	Ohjain	117020189	23	Kaasun palautusputki	113020467
10	Sähkölaatikko	108690015	24	Kupariputki	113420129
11	Tuulettinmoottori	112000054	25	Alipainekyllin	116000091
12	Tuulettimen terä	132000024	26	Iskunkestävä kumi	136020026
13	Eturitilä	133020052	27	Poistoputki	113010351
14	Kumijalat	136020168	28	Yläkansi	133330004

Yksikkö: HPM40



Nro	Varaosat	HPM40	Nro	Varaosat	HPM40
1	Pilari	108950009	16	Titaani-lämmönvaihdin	117020363
2	Yläkansi	133440001	17	Kumijalat	136020168
3	Haihnutin	103000343	18	Lämmönvaihtimen lämpötila	108010025
4	Ympäröivän lämp. anturi	133020010	19	Veden lämp. Anturi T1	117110068
5	Veden lämp. Anturi T1	117110068	20	Pohja	108950007
6	Sähkölaatikko	108950006	21	Kompressorin kumijalat	101000241
7	Kompressorin kapasitenssi	108010006	22	Kompressori	101000241
8	Kompressorin kapasitenssi	111000012	23	Alipainekytin	116000091
9	Tuuletinmoottorin pidike	108950010	24	Kaasun palautusputki	113020602
10	Tuuletinmoottori	112000079	25	Kumilohko	136020018
11	Tuulettimen lapa	132000024	26	Kapillaari	109000038
12	Ohjain	117020302	27	Poistoputki	113020624
13	Eturitulä	133020052	28	Tuulettimen kondensaattori	111000034
14	Etupaneelin kokoonpano	108950008	29	Moottoripidikkeen tuki	108950011
15	Virtajohdon silmukka	142000126			

## 9. Huolto

(1) Sinun on tarkistettava vedensyöttöjärjestelmä säännöllisesti ehkäistäksesi ilman pääsyn järjestelmään ja alhaisen vedenvirtauksen syntymisen, sillä tämä voi heikentää lämpöpumpun tehokkuutta ja luotettavuutta.

(2) Puhdista uima-altaasi ja suodatusjärjestelmäsi säännöllisesti laitteen vahingoittumisen ehkäisemiseksi.

(3) Tyhjennä aina vesi lämpöpumpusta talven ajaksi tai kun ympäröivä lämpötila laskee alle 0 °C, tai muuten titaani-lämmönvaihdin vaurioituu jäätyminen vuoksi ja takuusi mitätöidään.

(4) Tarkista vesitasot ennen kuin otat laitteen käyttöön pitkän tauon jälkeen.

**10.** Kun laite on käynnissä, laitteen pohjasta valuu tiivistynyttä vettä. Tämä on normaalia. **Tarvikkeet**



## **FI - TAKUUTODISTUS 1**

### **YLEISET EHDOT**

- 1.1 Näiden säännösten mukaisesti myyjä takaa, että tätä takuuta vastaava tuote ("Tuote") on täydellisessä kunnossa toimitushetkellä.
- 1.2 Tuotteen takuu-aika on kaksi (2) vuotta siitä hetkestä alkaen, kun tuote toimitetaan ostajalle.
- 1.3 Jos ostaja ilmoittaa myyjälle takuuajan aikana, että tuotteessa on vikaa, myyjän on korjattava tai vaihdettava tuote omalla kustannuksellaan ja aina kun hän pitää sitä tarpeellisena, paitsi kun se on mahdotonta tai kohtuutonta.
- 1.4 Jos tuotetta ei voida korjata tai vaihtaa, ostaja voi pyytää hinnan suhteellista alentamista, tai jos vika on tarpeeksi merkittävä, myyntisopimuksen purkamista.
- 1.5 Tämän takuun sisällä vaihdetut tai korjatut osat eivät pidennä alkuperäisen tuotteen takuu-aikaa, vaan niillä on erillinen takuu.
- 1.6 Jotta tätä takuuta voi käyttää, ostajan on toimitettava todiste ostopäivästä ja tuotteen toimituksesta.
- 1.7 Jos ostaja havaitsee kuusi kuukautta tuotteen toimituksen jälkeen vikaa tuotteessa, ostajan on toimitettava todiste tuotteen alkuperästä sekä oletetusta viasta.
- 1.8 Takuutodistus myönnetään rajoittamatta kansallisten säännösten tarjoamia kuluttajien oikeuksia.

### **2 YKSITTÄISET EHDOT**

- 2.1 Tämä takuu kattaa tässä käyttöoppaassa mainitut tuotteet.
- 2.2 Tämä takuutodistus on voimassa vain Euroopan unionin maissa.
- 2.3 Jotta tämä takuu olisi voimassa, ostajan on noudatettava tarkkaan valmistajan ohjeita, jotka löytyvät tuotteen mukana toimitetuista asiakirjoista, silloin kun ne soveltuvat tuotteen mallin ja valikoiman mukaan.
- 2.4 Kun tuotteen tai tiettyjen osien tai komponenttien vaihtoon, huoltoon tai puhdistukseen on määritetty aikajakso, takuu on voimassa vain, jos tätä aikajaksoa noudatetaan.

### **3 RAJOITUKSET**

- 3.1 Tämä takuu on voimassa vain kuluttajille myydyille tuotteille. "Kuluttajalla" tarkoitetaan henkilöä, joka ostaa tuotteen hänen ammatillisten toimiensa ulkopuoliseen käyttöön.
- 3.2 Takuu ei koske tuotteen käytöstä johtuvaa normaalia kulumista. Kulutusosiin, komponentteihin ja/tai materiaaleihin, kuten paristot, lamput jne., sovelletaan tuotteen mukana toimitettavissa asiakirjoissa olevia ehtoja.
- 3.3 Takuu ei kata tapauksia, joissa tuotetta: (I) on käsitelty virheellisesti; (II) on korjattu, huollettu tai käsitelty valtuuttamattomien henkilöiden toimesta, tai (III) on korjattu tai huollettu muilla kuin alkuperäisillä osilla. Jos tuotteen vika on seurausta virheellisestä asennuksesta tai käyttöönotosta, tämä takuu on voimassa vain, kun tämä asennus tai käyttöönotto sisältyy tuotteen myyntisopimukseen, ja sen on suorittanut myyjä tai se on suoritettu hänen vastuunsa alaisena.



If You Have Any Problem, Contact Us!		www.grepool.com/en/after-sales
Si Tienes Algun Problema, ¡Consultenos!	España	www.grepool.com/post-venta
En Cas De Probleme, Nous Consulter!	France/Belgie	www.grepool.com/fr/apres-vente
Sollten Sie Probleme Haben, Zögern Sie BitteNicht, Uns Zu Kontaktieren!	Deutschland	www.grepool.com/de/kundenservice
Per Ogni Vostra Eventuale Occorrenza,Interpellateci!	Italia	www.grepool.com/it/post-vendita
Em Caso De Problema, ¡Consultar-Nos!	Portugal	www.grepool.com/post-venta
Mocht UEen Probleem Hebben,...iRaadpleeg Ons!	Nederlands	+31 513 62 66 66 service@aqua-fun.info
W razie problemów, skontaktuj się z nami	Poland	www.grepool.com/en/after-sales
V případě problémů nás kontaktujte!	Česko	www.grepool.com/en/after-sales
V prípade problému nás kontaktujte!	Slovensko	www.grepool.com/en/after-sales
Kontakta oss om problem uppstår!	Sverige	www.grepool.com/en/after-sales
În cazul unei probleme, consultați-ne!	România	www.grepool.com/en/after-sales
Probléma esetén forduljon hozzánk!	Magyarország	www.grepool.com/en/after-sales
Hvis du har problemer, så kontakt os!	Danmark	www.grepool.com/en/after-sales
Hvis du har et problem, kontakt oss!	Norge	www.grepool.com/en/after-sales
Jos sinulla on ongelmia, ota meihin yhteyttä!	Suomi	www.grepool.com/en/after-sales

DISTRIBUTED BY / DISTRIBUIDO POR / DISTRIBUÉ PAR / VERTRIEB DURCH / DISTRIBUITO DA / GEDISTRIBUEERD DOOR / DISTRIBUÍDO POR / WYPRODUKOWANY PRZEZ / DISTRIBUTOR / DISTRIBÚTOR / DISTRIBUERAS AV / DISTRIBUITE DE / FORGALMAZZA / FORHANDLET AF / SOLGT AV / JAKELIJA

**MANUFACTURAS GRE, S.A.**  
**ARITZ BIDEA Nº 57 BELAKO INDUSTRIALDEA, APARTADO 69 48100 MUNGUIA (VIZCAYA) ESPAÑA**  
**Reg. Ind. 48-06762**

- We reserve the right to change all or part of the articles or content of this document, without prior notice
- Nos reservamos el derecho de cambiar total o parcialmente las características de nuestros artículos o el contenido de este documento sin previo aviso
- Nous nous réservons le droit de modifier totalement ou en partie les caractéristiques de nos articles ou le contenu de ce document sans préavis
- Wir behalten uns das Recht vor, die technischen Daten unserer Artikel oder den Inhalt dieses Dokumentes ohne vorherigen Hinweis ganz oder teilweise zu ändern
- Ci riserviamo il diritto di cambiare totalmente o parzialmente le caratteristiche tecniche dei nostri prodotti ed il contenuto di questo documento senza nessun preavviso
- Wij behouden ons het recht voor geheel of gedeeltelijk de kenmerken van onze artikelen of de inhoud van deze handleiding zonder voorafgaand bericht te wijzigen
- Reservamo-nos o direito de alterar, total ou parcialmente, as características dos nossos artigos ou o conteúdo deste documento sem aviso prévio.
- Zastrzegamy sobie prawo do zmiany w całości lub części niniejszej instrukcji bez uprzedniej informacji
- Vyhrazujeme si právo změnit specifikace našich výrobků nebo obsah celého tohoto dokumentu nebo jeho částí bez předchozího upozornění.
- Vyhrazdujeme si právo meniť bez predchádzajúceho upozornenia všetky alebo časť charakteristík našich výrobkov alebo obsahu tohto dokumentu
- Vi förbehåller oss rätt att utan föregående meddelande helt eller delvis ändra våra artiklars egenskaper och innehållet i detta dokument
- Ne rezervăm dreptul de a modifica total sau parțial caracteristicile articolelor noastre ori conținutul acestui document, fără preaviz
- Fenntartjuk a jogot arra, hogy cikkeink összes tulajdonságát vagy egy részét, illetve a dokumentum tartalmát előzetes értesítés nélkül módosítsuk.
- Vi forbeholder os ret til at ændre hele eller dele af artiklerne eller indholdet i dette dokument uden forudgående varsel.
- Vi forbeholder oss retten til å endre alle eller deler av avsnittene eller innholdet i dette dokumentet uten forhåndsvarsel
- Pidätämme oikeuden muuttaa tämän asiakirjan kaikkia artikkeleita tai sisältöjä tai osia niistä ilman ennakoilmoitusta.