

- EN** *UV TREATMENT SYSTEM*
- FR** *SYSTÈME DE TRAITEMENT UV*
- ES** *SISTEMA DE TRATAMIENTO UV*
- IT** *SISTEMA DI TRATTAMENTO UV*
- SE** *UV-BEHANDLING SYSTEM*

Heliox UV MP

Model.	52200	Heliox MP 50
	52201	Heliox MP 80
	52202	Heliox MP 140
	52203	Heliox MP 300
	52204	Heliox MP 450



- EN** *INSTALLATION AND MAINTENANCE MANUAL*
- FR** *MANUEL D'INSTALLATION ET D'ENTRETIEN*
- ES** *MANUAL DE INSTALACION Y MANTENIMIENTO*
- IT** *MANUALE DI INSTALLAZIONE E MANUTENZIONE*
- SE** *HANDBOK FÖR INSTALLATION OCH UNDERHÅLL*



IMPORTANT: The instruction manual you are holding includes essential information on the safety measures to be implemented for installation and start-up. Therefore, the installer as well as the user must read the instructions before beginning installation and start-up. Keep this manual for future reference.



Disposal of waste electrical and electronic domestic systems in the European Union.

All the products marked with this symbol indicates that the product shall not be mixed or disposed with your household waste at their end of use. It is responsibility of the user to eliminate this kind of wastes depositing them in a recycling point adapted for the selective disposal of electrical and electronic wastes. The suitable recycling and treatment of these wastes contributes in essential way to the preservation of the Environment and the health of the users. For further information regarding the points of collection of this type of wastes, please contact to the dealer where you acquired the product or to your municipal authority.

For optimum performance of the HELIOX UV MP Treatment System, we recommend you to follow the instructions given below:

1. CHECK THE CONTENTS OF THE PACK:

You should find the following elements inside the box:

- UV reactor.
- Flow sensor: SI5004 + EVC005 cable (5 m. /16.4 ft.) ⁽¹⁾.
- Temperature sensor: MBT5250 + MBTC-05 cable (5 m. /16.4 ft.) ⁽¹⁾; or TM 4411+ EVC005 cable (5 m. /16.4 ft.) ⁽¹⁾.
- Radiation sensor: UVC-SE + EVC059 cable (5 m. /16.4 ft.) ⁽¹⁾
- Control panel.
- Lamp power cables LP-035 x2 (5 m. /16.4 ft..) ⁽¹⁾ (in MP 50 ... MP 300 models).
- Lamp power cables LP-045 x2 (5 m. /16.4 ft..) ⁽¹⁾ (in MP 450 model).
- Operation Manual.

⁽¹⁾ Custom cable lengths may be supplied on demand.

2. GENERAL FEATURES:

The germicidal effects of ultraviolet light (UV) with wavelengths around 260 nm are well known for over 100 years. Its use has been increasing in recent years as it presents a number of advantages over chemical disinfection systems, since virtually UV light no alters the physical and chemical composition of water, it is very effective against any type of microorganism (algae , bacteria, viruses, fungi, yeasts, etc.) further minimizing the risks of handling and dosing of potentially hazardous chemicals. Moreover, UV treatment reduces the levels of combined chlorine in water, thereby producing significant water savings by reducing the volume and frequency of renewal of pool water.

The HELIOX UV MP treatment system in addition to maintaining a certain level of chlorine in pool water, ensure the sanitary quality of pool water. The HELIOX UV MP treatment system will operate when the pool recirculation (pump and filter) is operational.

The HELIOX UV MP treatment systems are designed and manufactured with the latest technology in UV treatment of water, thus ensuring continuous operation and minimal maintenance.

The proposed control architecture for the HELIOX UV MP systems has a number of features that allow the highest levels of reliability, efficiency and scalability.

- Because the systems incorporate both radiation and flow calibrated sensors, continuous adjustment of the lamp power is allowed, thus optimizing energy consumption and lifetime. Calibrated sensors do not require any user action on them, which does not happen with the previous range of UV systems.
- Unlike the previous range, HELIOX UV MP systems manage two parameters when setting the lamp power, radiation measured by the sensor and flow. Thus, the system sets a nominal radiation for each model, which is determined by the maximum treatment flow to ensure a minimum disinfection efficiency. If the flow to be treated is less than nominal, so too will be the radiation needed, so the systems will decrease the lamp output power, optimizing energy consumption and increasing lamp lifetime. Like the previous range, whether radiation decreases due to loss of lamp efficiency, turbidity, etc., the system will adjust the lamp power.
- The lamp power system is based on an electronic ballast which allows continuous operation with high efficiency (greater than 95%).

3. CERTIFICATIONS: _____

The HELIOX UV MP range of systems are certified for pool end use:

Certified products:

Manual wiper versions: **MP-50, MP-80, MP-140, MP-300, MP450**
Automatic wiper versions: **MP50W, MP80W, MP140W, MP300W, MP450W**

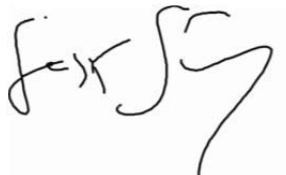
The products listed above are in compliance with the following Directives and Standards:

- **UL**
 - UL 1081, Swimming Pool Pumps, Filters and Chlorinators, Sixth Edition dated January 29, 2008 (including revisions through November 29,2011).
 - UL 1563, Electric Spas, Equipment Assemblies, and Associated Equipment, Sixth Edition dated July 16, 2009 (including revisions through August 25, 2011).
 - CAN/CSA C22.2 No. 108-01, Fourth Edition, Update No.2 dated March, 2003.
 - CAN/CSA C22.2 No. 218.1-M89, First Edition, Update No.4 dated March 2010 (Reaffirmed 2011).

- **NSF**
 - Certified to NSF-50 Standard.
 - This unit has demonstrated an ability to provide three log kill or inactivation of *Enterococcus faecium* [ATCC #6569] and *Pseudomonas aeruginosa* [ATCC #27113].
 - This unit has not demonstrated an ability to provide three log kill or inactivation of Cryptosporidium.
 - This product is designed for supplementary disinfection and is intended for use with appropriate residual levels of EPA registered disinfecting chemicals. Specific residual levels of EPA registered disinfecting chemicals may be required by the regulatory agency having authority.

- **EC Declaration of Conformity**
 - Low Voltage Directive 2006/95/EC.
 - Electromagnetic Compatibility Directive 2004/108/EC.
 - ROHS Directive 2011/65/EC.

I.D. ELECTROQUIMICA, S.L.
Pol. Ind. Atalayas, c./ Dracma R-19
E-03114 Alicante
Spain



Gaspar Sánchez
General Manager

IMPORTANT SAFETY INSTRUCTIONS

WARNING: when installing and using electrical equipment, basic safety precautions should always be followed, including the following:

READ AND FOLLOW ALL THE INSTRUCTIONS

A yellow-green wire connector marked ⊕^(*) is provided on this unit to connect a minimum No. 8 AWG for US (UL) and a No. 6 AWG for Canada (CSA) solid copper conductor between this unit and any metal equipment, metal enclosures of electrical equipment, metal water pipe or conduit within 5 feet (1.5 m.) of the unit.

Two bonding lugs marked ⊕^(*) are provided on the end flanges of the UV chamber suitable for No. 8 AWG (US) and No. 6 AWG (Canada) and secured to the chamber by paint breaking washer and nut.

^(*) IEC 60417, symbol 5019

This product must be connected to a circuit protected by a ground fault circuit interrupter.

Pool end use. Do not use this system to a different application for which it was designed.

The equipment should be installed and handled by truly qualified people.

Current electrical and accident prevention regulations should be followed.

Under no circumstances will the manufacturer be held responsible for the assembly, installation or start-up, nor any handling or fitting of components unless they are carried out on its premises.

Check all the electrical connectors are well tightened to avoid false contacts and their consequent overheating.

Install the control panel so that the cooling grids are not obstructed.



For indoor use only. This unit is not intended for outdoor use.



Prior to the installation or replacement of any system component make sure it has been previously disconnected from the mains, and there is no water flow through it. Use only spare parts supplied by AstralPool.



Never remove the lock nut of the quartz sleeve when the water is recirculating through the UV reactor as it could be expelled and causing damage.



The UV light generated by this equipment can cause serious damage if the eyes or skin are exposed directly to the lamp. Never connect the system when the lamp is out of the reactor.



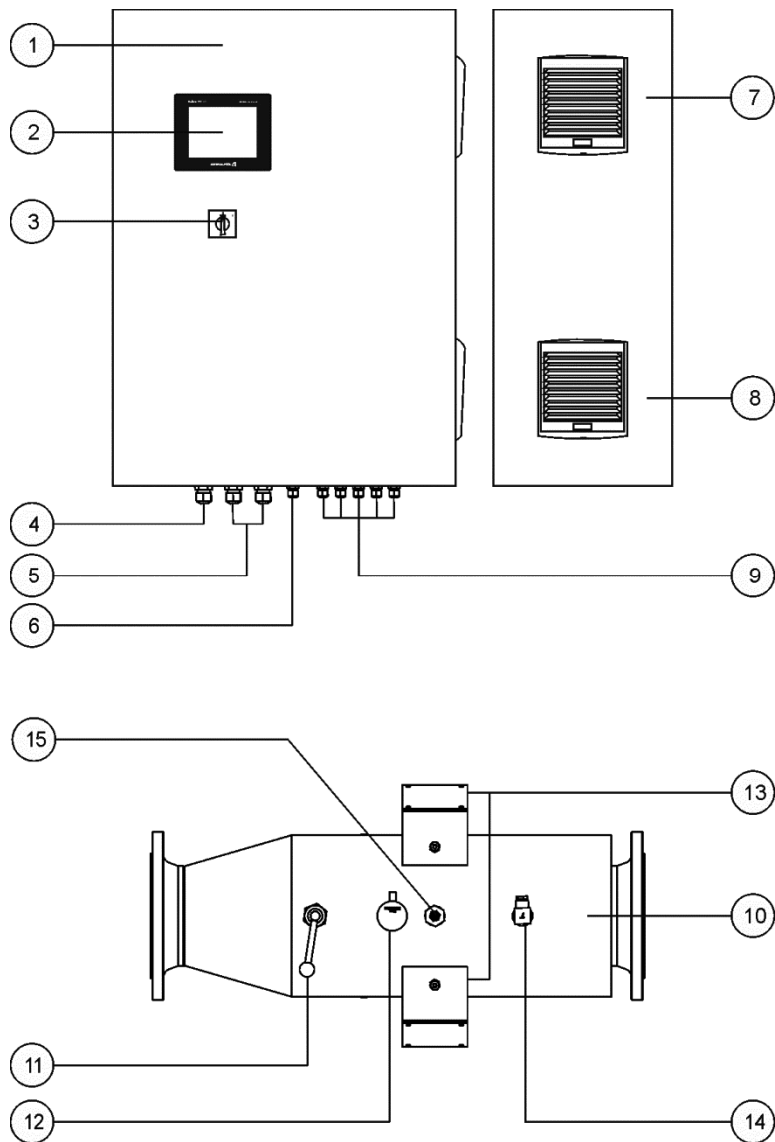
Do not handle the UV lamp until completely cold.



Always handle the UV lamp with gloves, as fat and other impurities deposited on the surface may reduce its performance and durability. In case you have to clean the lamp surface use a soft cloth soaked with alcohol.

SAVE THE INSTRUCTIONS

4. SYSTEM DESCRIPTION



- | | |
|---|--|
| 1.- Control panel. | 9.- Inputs for sensor cables. |
| 2.- Touchscreen. | 10.- UV reactor. |
| 3.- Main switch. | 11.- Quartz sleeve cleaner (manual wiper version). |
| 4.- Power cable input. | 12.- Flow sensor. |
| 5.- Outputs for lamp power cables. | 13.- UV lamp connection box. |
| 6.- Output for UV reactor Ground cable. | 14.- Temperature sensor. |
| 7.- Cooling grid/filter. | |
| 8.- Fan grid/filter. | |

5. INSTALLATION:

5.1. General considerations

- In order to guarantee a good state of conservation, the HELIOX UV MP system must be installed in a dry and well ventilated place at the technical room. The protection degree of HELIOX UV MP systems does not allow outdoor installation.
- The temperature at the installation area must be within 35°F (2°C) and 107°F (42°C) and the relative humidity must not exceed 80%.
- Install the unit as far away as possible from any storage of chemical products and sources of moisture.

Warning



Beware of corrosive atmosphere formation due to pH decreasing solutions (specially, those ones based on hydrochloric acid "HCl"). Do not install the HELIOX UV MP system near to any stores of these chemicals. We strongly recommend the use of chemicals based on sodium bisulphate or diluted sulphuric acid.

5.2. Installation of the UV reactor

The reactor of HELIOX UV MP systems can be installed both horizontally and vertically, as shown in the recommended installation diagram (Figs. 1a/b).

Warning



If the UV reactor is installed horizontally, the lamp must always remain horizontal to the ground, as if it is installed so that the lamp is vertical, in the case of low flow, an air chamber may be formed on its top, thus becoming part of the bulb exposed. Given the high working temperature of medium pressure lamps, it is easily understandable that this situation should always be avoided.

If the UV reactor is installed horizontally, sensors must remain in the upper part.

Observe flow direction indications located on the UV chamber.

The reactor of the HELIOX UV MP systems is made of AISI 316 L stainless steel within which the UV lamp is housed. The HELIOX UV MP system should always be installed after the filtration system, and before any other device in the installation such as heat pumps, control systems, dosage systems, salt electrolysis systems, etc.

The installation of the UV system should allow easy access to the UV lamp by the user. The location of the HELIOX UV MP system must have an effective dimensions that allow the complete removal of the UV lamp from the sleeve (approximately one meter on each side of the connection boxes of the UV lamp).

It is highly recommended to install the HELIOX UV MP system in a place of the pipe that can be easily isolated from the rest of the installation by two valves, so that the tasks of maintenance can be carried out with no need of partial or total draining of the swimming pool. Where the system is installed on a by-pass (recommended option), a valve to regulate the flow must be introduced.

Warning



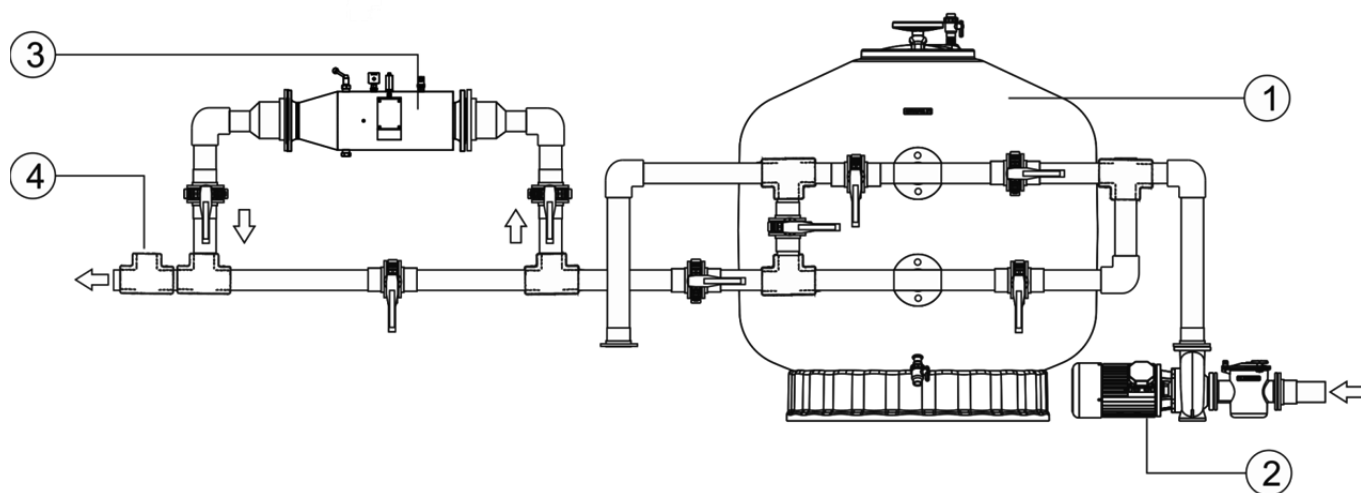
Prior to the installation or replacement of any system component make sure it has been previously disconnected from the mains, and there is no water flow through it. Use only spare parts supplied by AstralPool.



UV chamber grounding must be made in the two bonding lugs marked \oplus (*) on the end flanges using No. 8 AWG (US) and No. 6 AWG (Canada) solid copper conductor and secured to the chamber by paint breaking washers and nuts.

Legend

1. Filter.
2. Pump.
3. UV reactor.
4. Other equipment (dosage pumps, controllers, heat exchangers, etc.).



WARNING

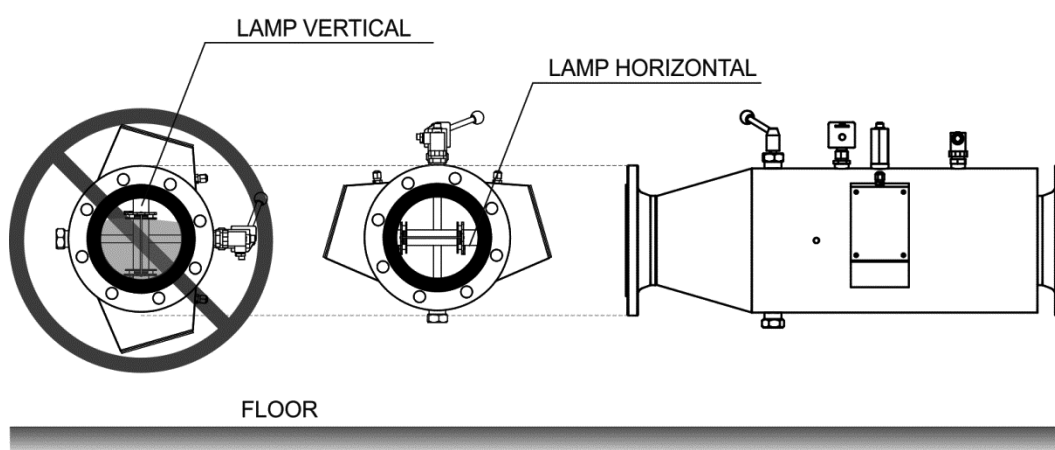


Fig.1a. HELIOX UV MP Systems. Recommended installation diagram (HORIZONTAL).

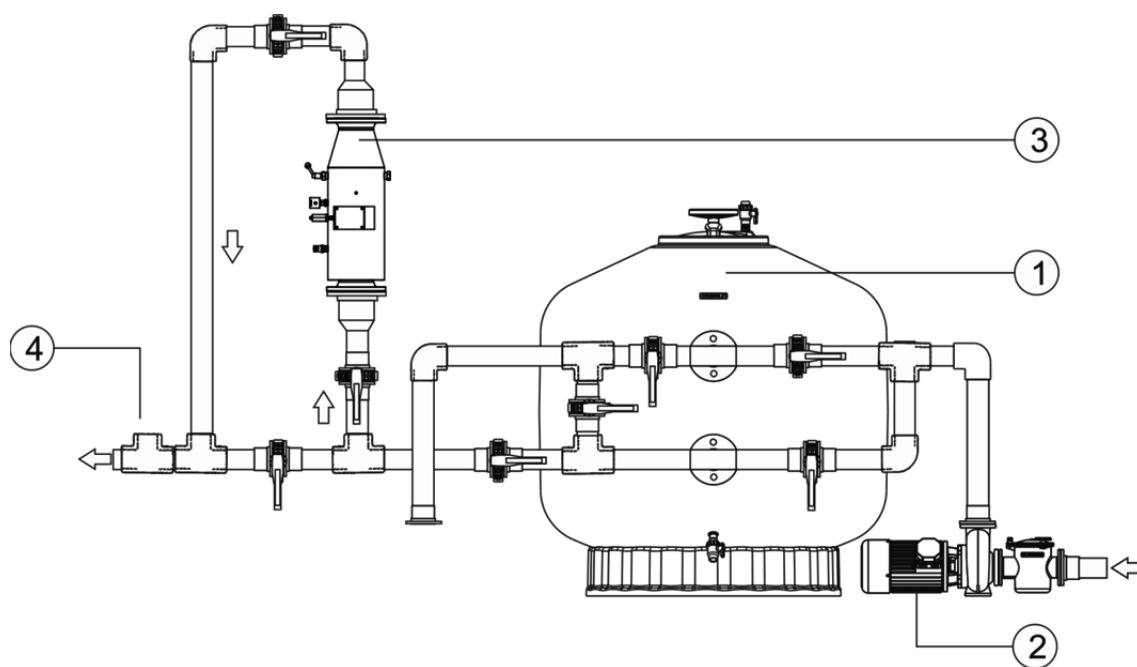


Fig.1b. HELIOX UV MP systems. Recommended installation diagram (VERTICAL).

5.3. Installation of the control panel

- Always install the CONTROL PANEL of the HELIOX UV MP system vertically and on a rigid surface (wall), so that the touchscreen located on the front panel is level with the eyes.
- Cooling fan and grids must not be blocked.

Warning



The equipment should be assembled and handled by truly qualified people.

Current electrical and accident prevention regulations should be followed.

Do not attempt to alter the system to operate at a different voltage.

Both the power of the HELIOX UV MP system control panel and the interconnection of the UV lamp and the sensors must be made at the terminal block at the base inside the control panel. The control panel base has a series of cable glands for the correct fixation of the power cables and sensors. In any case the length or section thereof should be amended, without first consulting an AstralPool authorized technician.

Warning



Use copper conductors only.

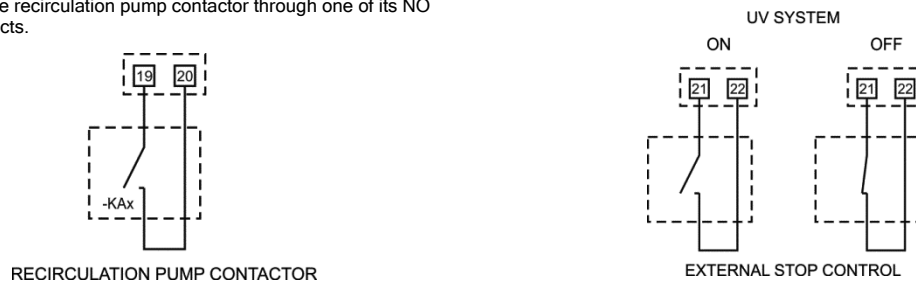
Permanently connected.

CONTROL PANEL: FIELD WIRING DIAGRAM

MP 50 ... MP 300 models

T. block	Control panel input	Cable	Wire description
PE			GROUND
1	POWER 240 VAC / 50-60 Hz. / 1-phase	(1)	PHASE
2			NEUTRAL
PE			GROUND
3	UV REACTOR BONDING	(2)	
4	UV LAMP OUTPUT	LP-035/1	RED
5	SW-11	LP-035/1	BLACK "1"
6	SW-12		BLACK "2"
7	SW-21	LP-035/2	BLACK "1"
8	SW-22		BLACK "2"
9			BROWN
10	SI5004 FLOW SENSOR INPUT	EVC-005	WHITE
11			BLUE
12			WHITE
13	UVC-SE RADIATION SENSOR INPUT	EVC059	BROWN
14			BLACK
15			GREY
16			BROWN (or Blue)
17	TM4411 / MBT5250 TEMPERATURE SENSOR INPUT	EVC-005 or MBTC-05	WHITE (or Green)
18			BLUE (or Red)
19			
20	FLOW SWITCH INPUT	(3)	POTENTIAL-FREE CONTACT
21	EXTERNAL STOP INPUT	(4)	
22			

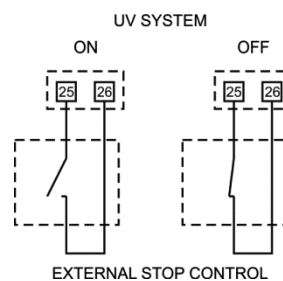
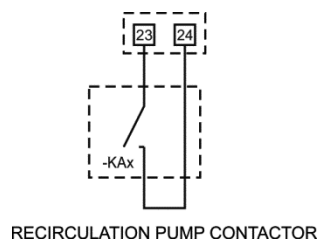
- (1) Not supplied with the unit.
- (2) Not supplied with the unit. Bonding must be made with a solid copper conductor minimum No. 8 AWG (USA) / 6 AWG (Canada)
- (3) Default bridged input. We strongly recommend to interlock the UV system with the recirculation pump contactor through one of its NO auxiliary contacts.
- (4) Input logics



MP 450 model (220/240V version)

T. block	Control panel input	Cable	Wire description
PE	POWER 220/240 VAC / 50-60 Hz. / 3-phase	(1)	GROUND
2			PHASE (R)
3			PHASE (S)
4			PHASE (T)
PE	UV REACTOR BONDING	(2)	GROUND
5	UV LAMP-1 OUTPUT	LP-045/1-1	RED
6		LP-045/2-1	RED
7	UV LAMP-2 OUTPUT	LP-045/1-2	WHITE
8		LP-045/2-2	WHITE
9	SW-11	LP-045-1	BLACK "1"
10	SW-12		BLACK "2"
11	SW-21	LP-045-2	BLACK "1"
12	SW-22		BLACK "2"
13	SI5004 FLOW SENSOR INPUT	EVC-005	BROWN
14			WHITE
15			BLUE
16	UVC-SE RADIATION SENSOR INPUT	EVC059	WHITE
17			BROWN
18			BLACK
19			GREY
20	TM4411 / MBT5250 TEMPERATURE SENSOR INPUT	EVC-005 or MBTC-05	BROWN (or Blue)
21			WHITE (or Green)
22			BLUE (or Red)
23	FLOW SWITCH INPUT	(3)	POTENTIAL-FREE CONTACT
24	EXTERNAL STOP INPUT	(4)	POTENTIAL-FREE CONTACT
25			
26			

- (1) Not supplied with the unit.
- (2) Not supplied with the unit. Bonding must be made with a solid copper conductor minimum No. 8 AWG (USA) / 6 AWG (Canada).
- (3) Default bridged input. We strongly recommend to interlock the UV system with the recirculation pump contactor through one of its NO auxiliary contacts.
- (4) Input logics



MP 450 model (380/415V version)

T. block	Control panel input	Cable	Wire description
PE			GROUND
1			NEUTRAL
2	POWER 380/415 VAC / 50-60 Hz. / 3-phase	(1)	PHASE (R)
3			PHASE (S)
4			PHASE (T)
PE			UV REACTOR BONDING
5	UV LAMP-1 OUTPUT	LP-045/1-1	RED
6		LP-045/2-1	RED
7	UV LAMP-2 OUTPUT	LP-045/1-2	WHITE
8		LP-045/2-2	WHITE
9	SW-11	LP-045-1	BLACK "1"
10	SW-12		BLACK "2"
11	SW-21	LP-045-2	BLACK "1"
12	SW-22		BLACK "2"
13		EVC-005	BROWN
14	SI5004 FLOW SENSOR INPUT		WHITE
15			BLUE
16		EVC059	WHITE
17	UVC-SE RADIATION SENSOR INPUT		BROWN
18			BLACK
19			GREY
20		EVC-005 or MBTC-05	BROWN (or Blue)
21	TM4411 / MBT5250 TEMPERATURE SENSOR INPUT		WHITE (or Green)
22			BLUE (or Red)
23	FLOW SWITCH INPUT	(3)	POTENTIAL-FREE CONTACT
24		(4)	POTENTIAL-FREE CONTACT
25	EXTERNAL STOP INPUT		
26			

- (1) Not supplied with the unit.
 (2) Not supplied with the unit. Bonding must be made with a solid copper conductor minimum No. 8 AWG (USA) / 6 AWG (Canada).
 (3) Default bridged input. We strongly recommend to interlock the UV system with the recirculation pump contactor through one of its NO auxiliary contacts.
 (4) Input logics



⁽¹⁾ **Minimum recommended wire size**

Model	240 V / 1-phase	240 V / 3-phase	415 V / 3-phase
MP 50	3 x AWG 16 (3 x 1.50 mm ²)	N/A	N/A
MP 80	3 x AWG 16 (3 x 1.50 mm ²)	N/A	N/A
MP 140	3 x AWG 12 (3 x 4 mm ²)	N/A	N/A
MP 300	3 x AWG 12 (3 x 4 mm ²)	N/A	N/A
MP 450	N/A	3 x AWG 12 (3 x 4 mm ²)	5 x AWG 12 (3 x 4 mm ²)

5.4. UV lamp connection

Connect the UV lamp(s) installed within the UV reactor to the corresponding terminals on the control panel using the cables supplied with the unit (LP-0XX) (see page 8-9). To do this, open the connection boxes on both sides of the UV reactor, and connect the wires to the corresponding terminals:

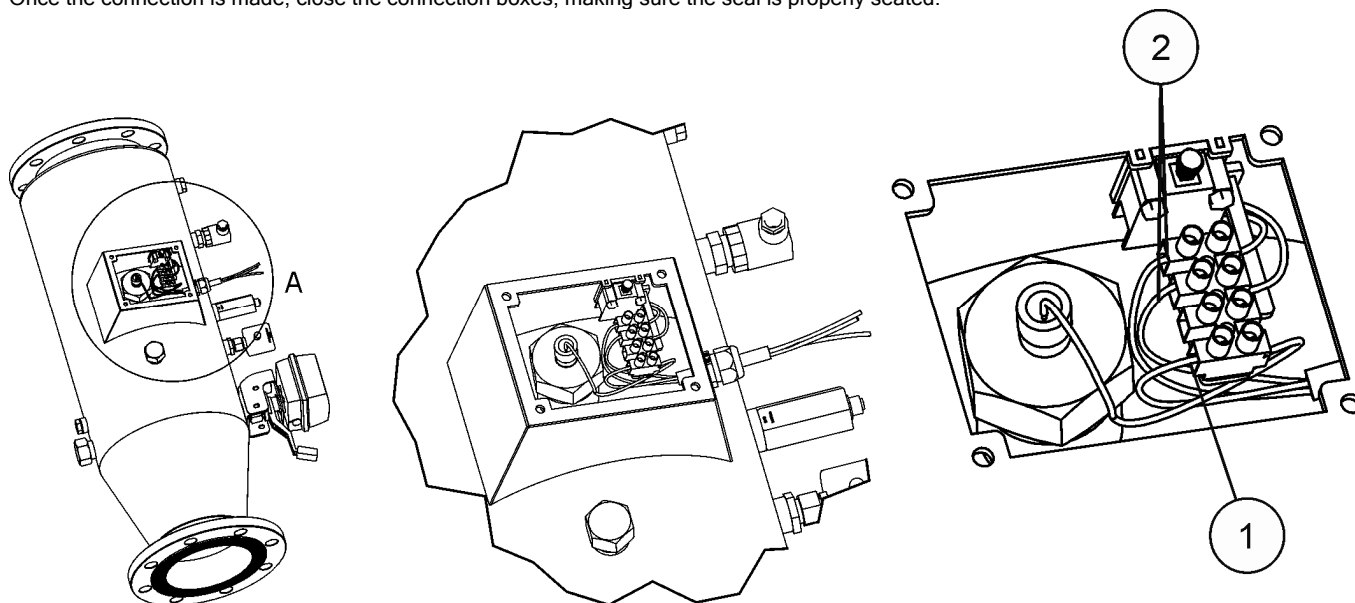
- 1.- Lamp power (red).
2. Microswitch (black wires, labelled "1" and "2").

Warning

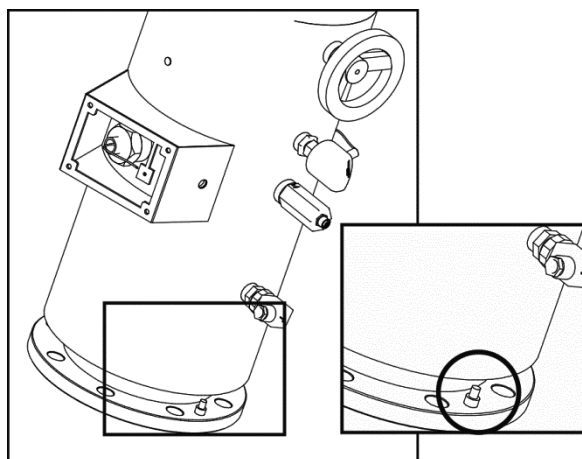


Unit is equipped with an automatic mechanism for shutting off the power of the UV lamp whenever the cover is removed.

Once the connection is made, close the connection boxes, making sure the seal is properly seated.



Should also connect the ground wire to the TWO bonding lugs marked \oplus (*) on the end flanges of the UV chamber suitable for No. 8 AWG (US) and No. 6 AWG (Canada), and secure to the chamber by paint breaking washer and nut.



Warning



Prior to the installation or replacement of any system component make sure it has been previously disconnected from the mains, and there is no water flow through it.

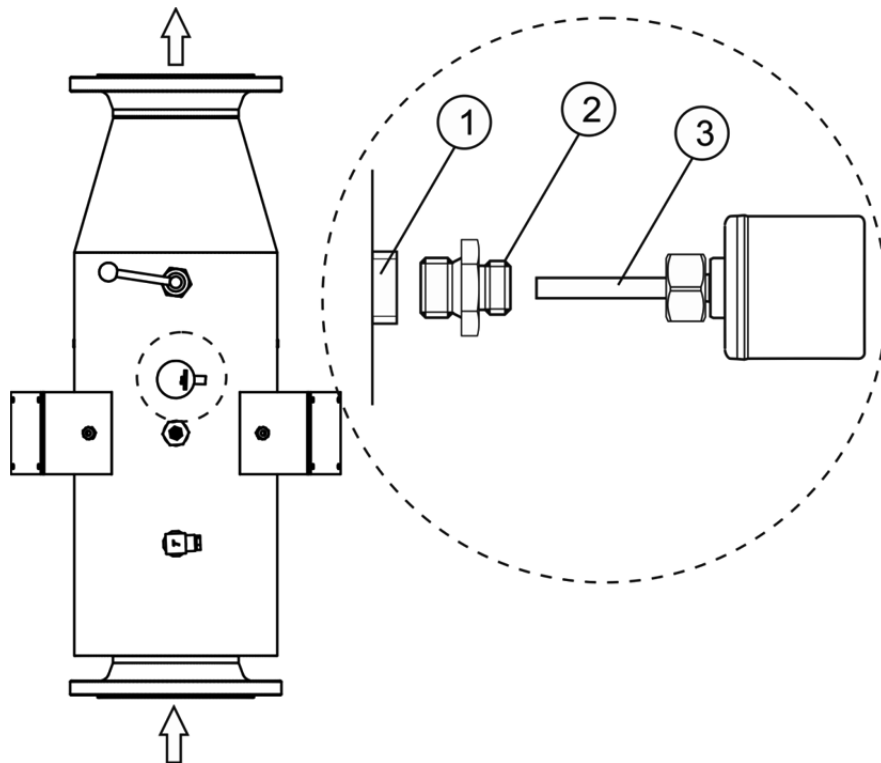


Check all the electrical connectors are well tightened to avoid false contacts and their consequent overheating.

5.5. Installation of the SI5004 flow sensor

The SI5004 flow sensor is a calorimetric detector that converts its response in a 4/20 mA analog signal. The output signal corresponds to the curve of the sensor. Led bar located in the head indicates the relative flow velocity in the range of detection. When there is no flow through it, the led "0" flashes. The SI5004 sensor comes factory calibrated (5 ... 100 cm/s) in water, so it is not necessary to make any recalibration process at installation time. The sensor response time can vary in the range 1 ... 10 seconds.

Screw the E40096 thread adapter supplied on the position labelled "FLOW" at the body of the UV reactor. Then screw the SI5004 flow sensor on the adapter.



1. Flow sensor input "FLOW" at the UV reactor.
2. E40096 thread adapter M18-1/2".
3. SI5004 flow sensor.

Fig. 2

Connect the SI5004 sensor with the EVC005 cable supplied with the unit to the corresponding terminals at the terminal block inside the control box. (see page 8-9).

5.6. Installation of the UVC-SE radiation sensor

The UVC-SE sensor supplied with the HELIOX UV MP unit provides a robust and stable in time method for the measurement of UV-C radiation in water disinfection systems. Its stainless steel body provides great stability and corrosion resistance. UVC-SE sensor is supplied calibrated with respect to a PTB reference. The electronic circuit located inside generates a signal that is transferred to the system control panel.

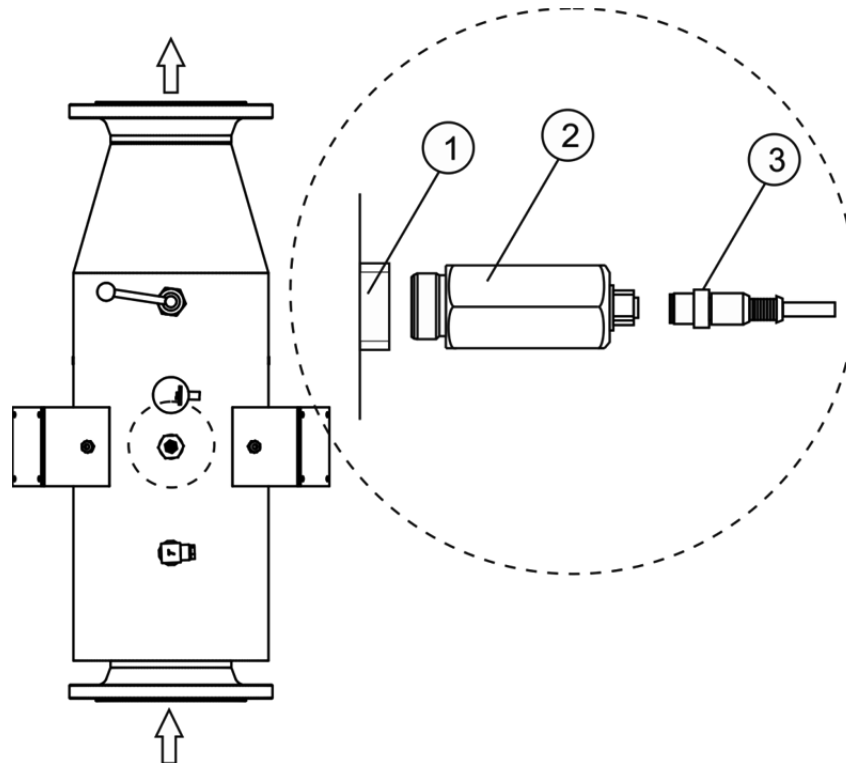
Warning



Always handle the UV lamp with gloves, as fat and other impurities deposited on the surface may reduce its performance and durability. In case you have to clean the lamp surface use a soft cloth soaked with alcohol.

Unscrew the plastic shield that protects the sensor window. Store this protector in a secure place for future maintenance tasks.

Screw the UVC-SE sensor on the position labelled as **"UV-C"** at the body of the UV reactor.



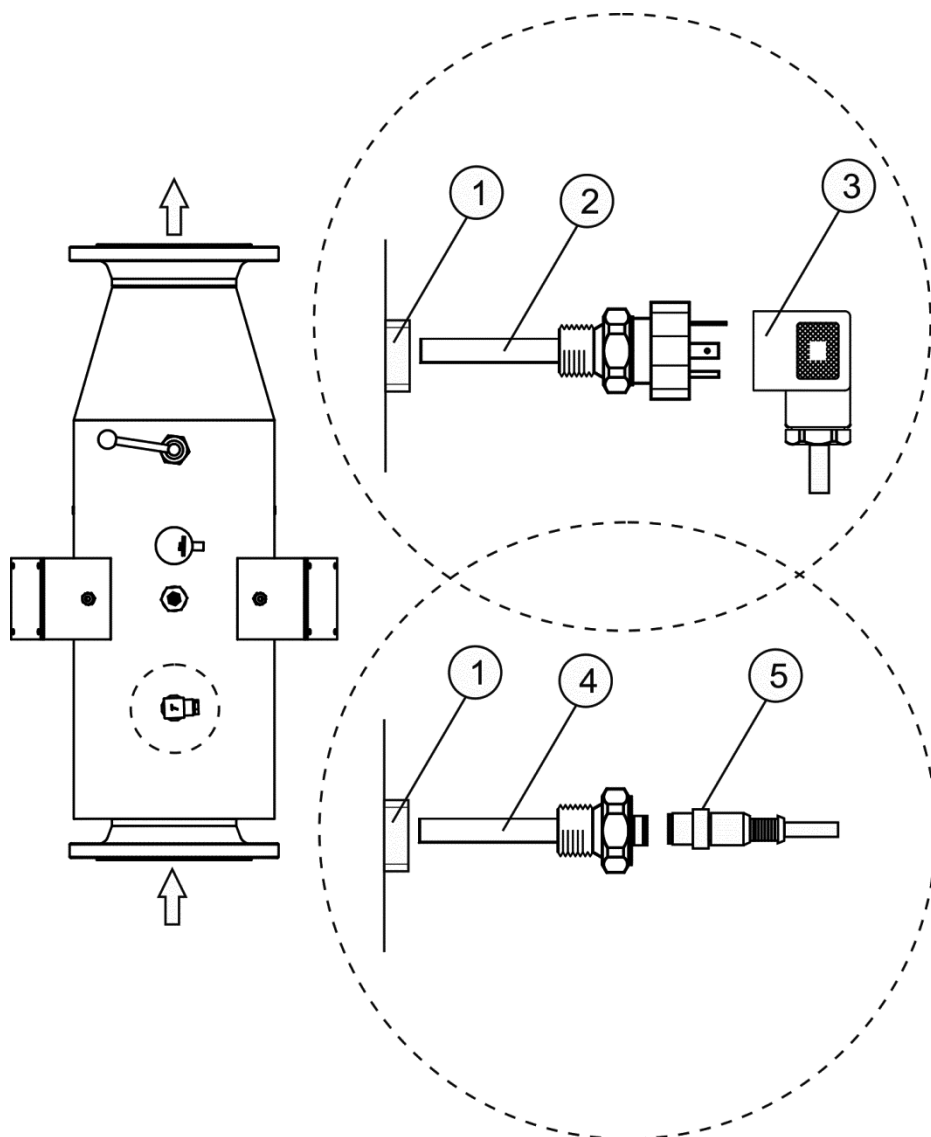
1. Radiation sensor input **"UV-C"** at the UV reactor.
2. UVC-SE radiation sensor.
3. UVC-05 cable.

Fig. 3

Connect the UVC-SE sensor with the EVC059 cable supplied with the unit to the corresponding terminals at the terminal block inside the control box (see page 8-9).

5.7. Installation of the TM4411 / MBT5250 temperature sensor

The TM4411/MBT5250 temperature probe consists of a Pt-100 sensor that converts its response in a 4/20 mA analog signal. The TM4411/MBT5250 sensor comes factory calibrated so that it is not necessary to make any process for recalibration at installation time.



Configuration with MBT5250 sensor		Configuration with TM4411 sensor	
1.	Temperature sensor input "Temp." at the UV reactor.	1.	Temperature sensor input "Temp." at the UV reactor.
2.	MBT5250 temperature sensor.	4.	TM4411 temperature sensor.
3.	MBTC-05 cable.	5.	EVC005 cable.

Fig. 4

Screw the MBT5250 / TM4411 sensor on the position labelled as "TEMP" at the body of the UV reactor.

Connect the MBT5250 / TM4411 sensor with the MBT-05 / EVC005 cable supplied with the unit to the corresponding terminals at the terminal block inside the control box. (see page 8-9).

5.8. Controls and indicators

The HELIOX UV MP treatment systems are equipped with a touchscreen located on the front of the control panel, which includes an advanced software that allows full control both on the treatment process and on the power of the UV lamp. Also on the front panel it is the main switch of the system.

5.9. Start-up

1. Make sure the filter is clean to 100%, and that the pool and the installation does not contain copper, iron and algae.
2. The analytical condition of the water is very important to ensure that the HELIOX UV MP system works with the highest levels of effectiveness. Before starting the system check that the following parameters are within the recommended levels:
 - Iron: less than 0.3 mg./l.
 - Hardness: less than 120 mg./l.
 - Turbidity: less than 1 NTU.
 - Manganese: less than 0.05 mg./l.
 - TSS: less than 10 mg./l.
 - UV Transmittance: higher than 75%.

If the levels of any of these parameters exceed the recommended values is recommended to do a proper pre-treatment to correct them.

3. Balance the pool water. This allows us to obtain a more efficient treatment with a lower concentration of free chlorine in the water, and a longer operating of the lamp in addition to a lower calcium scaling on the quartz sleeve.
 - a) pH must be in the range 7.2-7.6
 - b) Alkalinity must be in the range 60-120 ppm.
4. Check that all hydraulic connections are properly assembled and that there are no leaks in any of them.
5. Let recirculate the water at least for a few minutes to evacuate air and any dirt that might be inside the UV reactor.
6. Connect the system using the main switch **[2]** on the front side of the control panel.

Warning

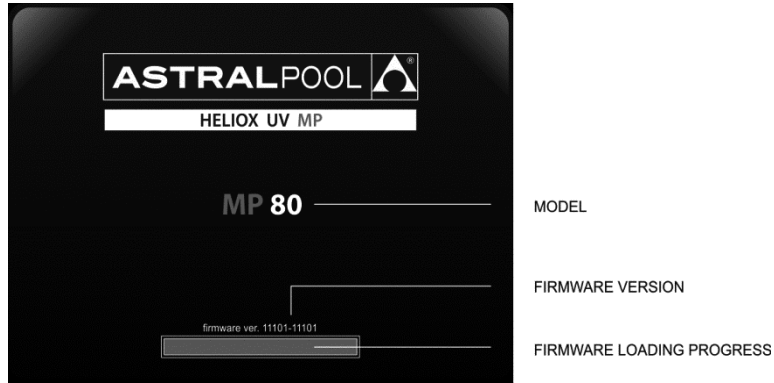


Never connect the system when the lamp is out of the reactor.

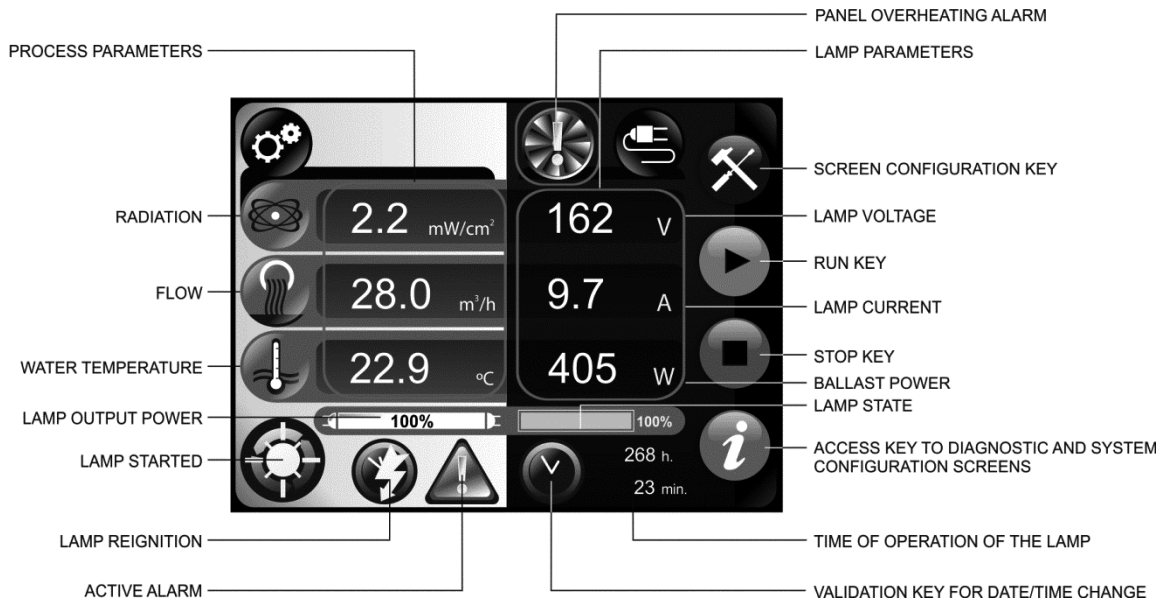
6. OPERATION:

6.1. System main screen

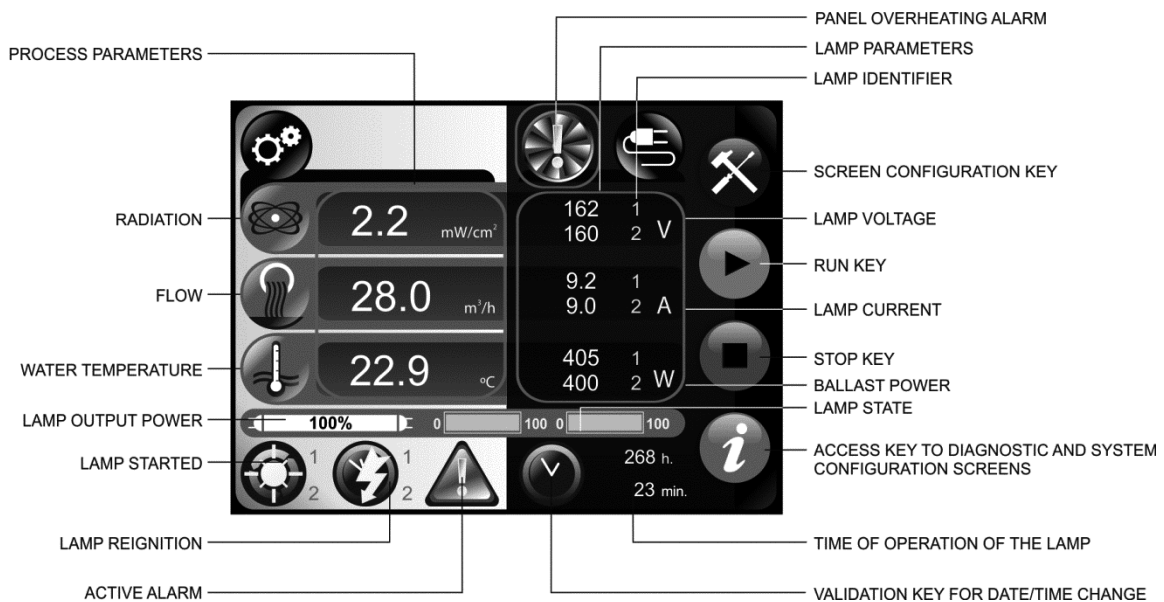
The first screen that appears when you boot the system shows the system model and a bar with the evolution of the firmware load and its version number.



Once the firmware is loaded, the main control screen of the system appears. This screen is divided into different areas of information.



Models MP 50 ... MP 300



Model MP 450

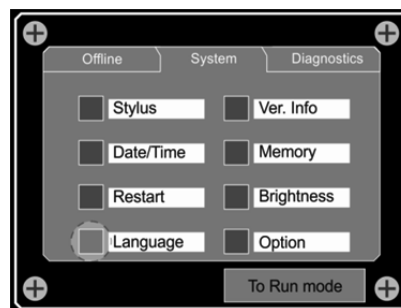
6.2. LANGUAGE selection

The HELIOX UV MP system comes factory set to ENGLISH. If you want to work in a different language (FRENCH, SPANISH, ITALIAN, GERMAN or PORTUGUESE, proceed as described below.

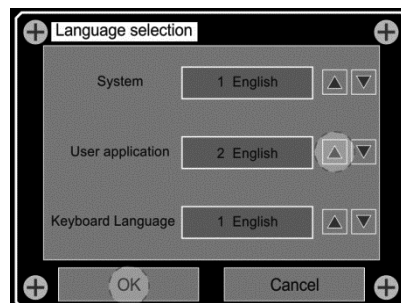
To access the screen configuration menus, press the button on the top right corner of the screen.



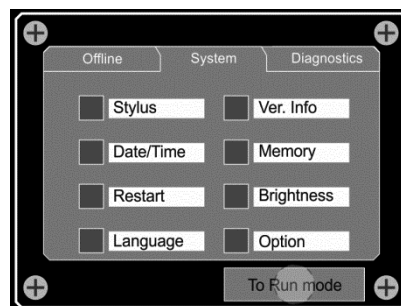
On the **"System"** screen, click on the button **"Language"**.



With the cursor keys, select **"English"** in the three fields, and press the **"OK"** button to finish.



From now on, all displays appear in the selected language **"English"**. To return to the application main screen, press **"To RUN mode"** button.



6.3. DATE / TIME configuration

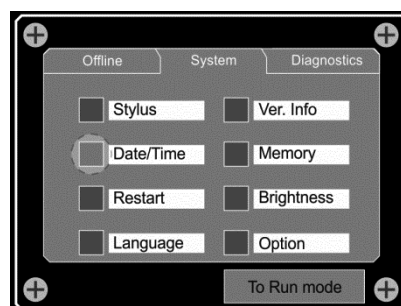
Clock settings keep running until 30 days after disconnection of the control panel if the battery has been charged for six consecutive hours before disconnecting the system. The clock DATE / TIME format is 24 hours and takes into account leap years.

To configure the system DATE / TIME settings, proceed as described below.

To access the screen configuration menus, press the button on the top right corner of the screen.



On the **"System"** screen, click on the button **"Date/Time"**.



Click directly on the field to be changed.

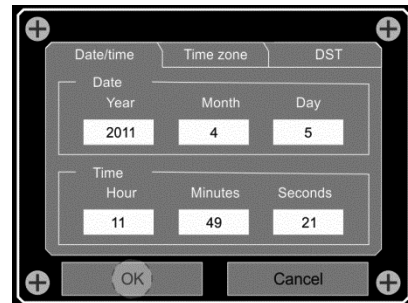
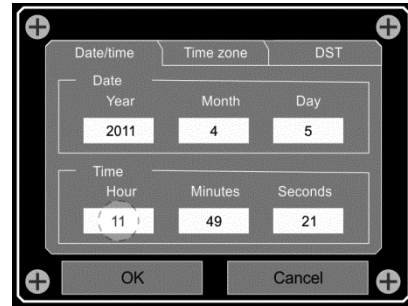
Enter the new value on the keyboard that pops up on screen. Once entered, press "Enter" to finish.

Proceed similarly with the other fields to be modified.

Once set the system date/time, proceed similarly to adjust your "Time Zone" and "DST" settings for the automatic time change depending on time of year.

Press "OK" to return to the main application.

To transfer the DATE/TIME parameters introduced in the touchscreen to the system's CPU, press the validation DATE/TIME key in the application main screen.



Warning



The other screen settings are set at factory default and should not be modified without the supervision of an authorized Astralpool technician.

6.4. System initialization



RUN

Press this key to switch on the UV lamp.

WARNING:



In the event of a sudden disconnection of the lamp for any reason (stop, alarm, etc.), the system will not start the lamp immediately but it will make a controlled re-ignition once the normal operating conditions are restored, thereby preserving its integrity.

The re-ignition indicator will flash on the bottom of the screen.



Once started the lamp, this icon will appear at the bottom right of the screen.

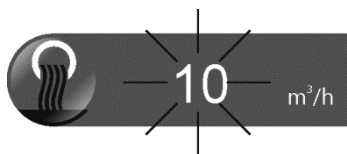
Gradually, the system will adjust the output power level to reach the setpoint radiation depending on the model installed.



STOP

Press this key to switch off the UV lamp.

6.5. Alarm management

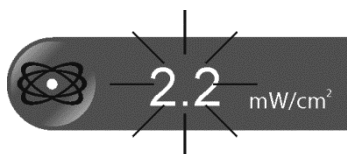


LOW FLOW

Whenever the installed sensor detects an insufficient water flow inside the UV reactor, the system disconnects the UV lamp and the **"Flow"** indication of the screen will flash.

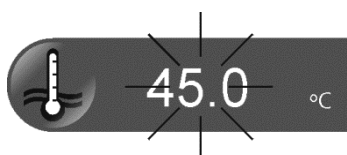
WARNING:

Once restored the water flow, the system automatically resets.



LOW RADIATION

Whenever the radiation sensor installed in the reactor detects too low values to ensure a minimum dose of 60 mJ/cm², even with the lamp running at 100% of its rated power, the **"Radiation"** indication of the screen will flash.



HIGH WATER TEMPERATURE

Whenever the temperature sensor installed in the UV reactor detects a water temperature higher than 113°F (45°C), the system disconnects the UV lamp and the indication of **"Temperature"** of the screen will flash.

CONTROL PANEL OVERHEATING:

The control panel is designed to work always at internal temperatures below 113°F (45°C). If for any reason (excessive external temperature, failure of internal cooling fan, etc.) the temperature reaches higher values, the system will automatically disconnect the UV lamp power leaving the internal cooling fan running until the inside temperature drops below this value .

Overheating indicator will flash on the top of the screen.

WARNING:

Temperature control is made by the thermostat [F0] inside the control panel, so that in no case its factory setpoint temperature 113°F (45°C) must be modified.



Once solved the problem, it is necessary to restart again the system pressing the RUN key.

ACTIVE ALARM / ALARM LOG

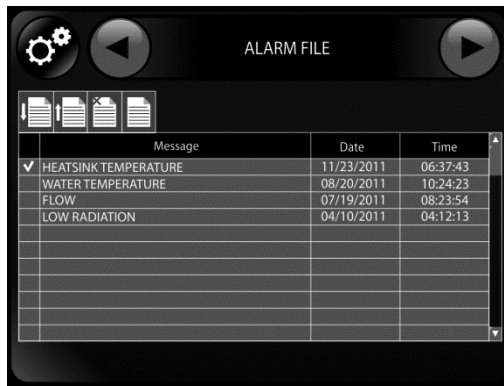
Whenever the system detects that an alarm is active, disconnects the UV lamp.

The system will not allow its re-initialization until the alarm condition disappears and the user makes an acknowledgement by clicking the icon.

Clicking this icon, a list of all the alarms currently active will be visible.



	Message	Date	Time
<input checked="" type="checkbox"/>	HEATSINK TEMPERATURE	11/23/2011	06:37:43
<input type="checkbox"/>	WATER TEMPERATURE	08/20/2011	10:24:23
<input type="checkbox"/>	FLOW	07/19/2011	08:23:54
<input type="checkbox"/>	LOW RADIATION	04/10/2011	04:12:13
<input type="checkbox"/>			
<input type="checkbox"/>			
<input type="checkbox"/>			
<input type="checkbox"/>			



If you press the button located at the top of the menu to access the alarm log, you can view all alarms detected by the system from its connection.



To exit, simply press the arrow keys located at the top of the screen.

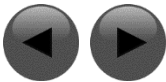


6.6. Diagnostics of the UV lamp(s) power circuit(s).

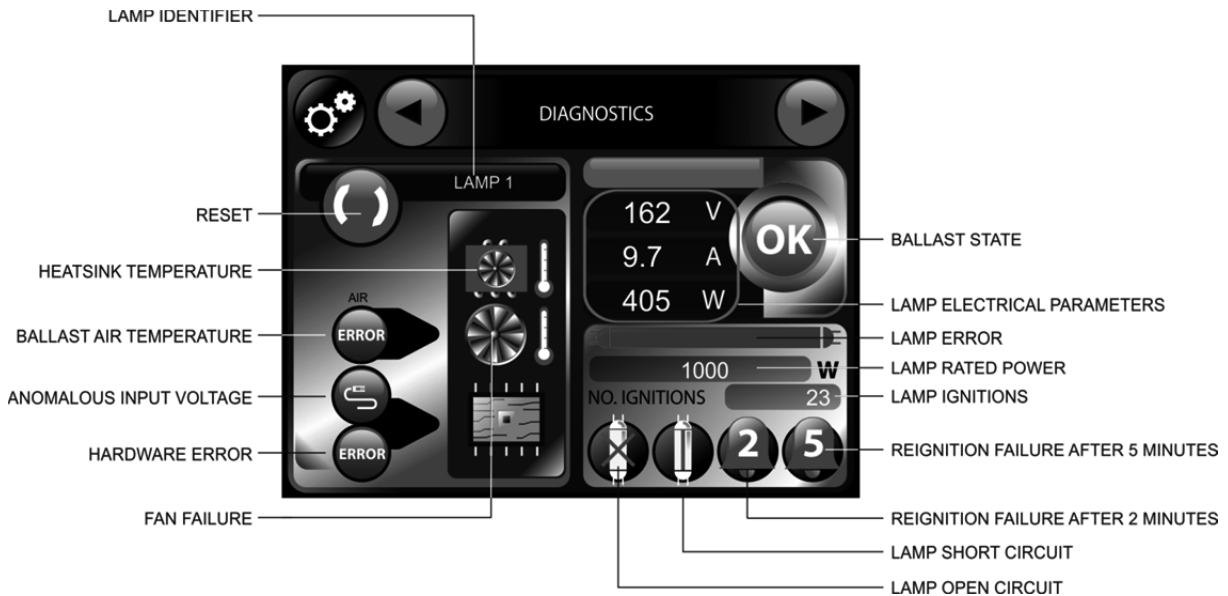


Pressing the "Diagnostics" key, the system accesses a diagnostic screen both of the electronic ballast and the power circuit of the UV lamp.

This screen provides a very detailed information about the operation of the electronic ballast, so that in case of malfunction or breakdown it is very easy to locate the cause thereof.



The navigation keys located on the top of the screen allow access to various diagnostic and configuration screens.



Whenever there is an alarm in the electronic ballast, it will be locked until you press the "RESET" button.



INACTIVATION OF ONE OF THE POWER CIRCUITS OF THE LAMPS IN MULTIPLE LAMP SYSTEMS

In multiple lamp systems (MP450) it is possible to cancel one of the power circuits of the lamps if for any reason, it was necessary (eg, leaving the system in service pending replacement of a lamp, etc.). To do this, simply enter in the diagnostic screen of the corresponding lamp and press on the icon. When the power circuit is disabled, the icon will flash in yellow. To activate the circuit again, just click on the icon. It will return to normal state in green colour.

6.7. System event log



To access the system event log, press the **"Diagnostics"** key. The system accesses the diagnostic screens both of the electronic ballast and the UV lamp power circuit discussed in Section 5.6.



Pressing the navigation key at the top right of the screen, you will access the log screen of certain system events from its connection.



This register is automatically deleted each time the system is disconnected (**only in firmware versions prior to 11102-XXX and 11202-XXX**).

6.8. Configuration of system auxiliary parameters

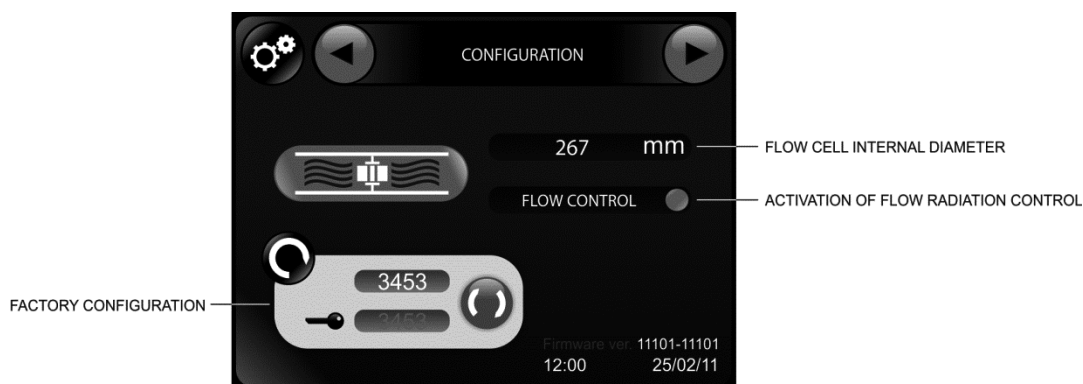
The **"Configuration"** screen allows to modify several auxiliary parameters of the system.



To access the **"Configuration"** screen, press the **"Diagnostics"** button. The system accesses the diagnostic screens both of the electronic ballast and the UV lamp power circuit discussed in Section 6.6.



Repeatedly pressing the navigation key located on the top right of the screen, the **"Configuration"** screen will appear.

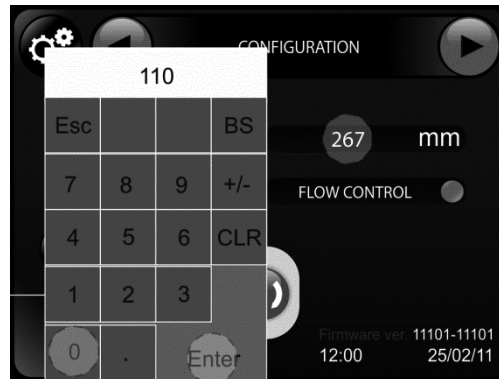


INTERNAL DIAMETER OF THE FLOW CELL

The configuration screen allows to modify the diameter of the flow cell. Unless it was necessary to change the location of the flow sensor from its default position in the UV reactor to another point in the installation, because the measured flow rates were outside the detection range of the sensor (5 ... 100 cm/s), this parameter will always match the inner diameter of the UV reactor, thus not being necessary its modification.

MP 50 ... MP 140	MP 300 ... MP 450
10.51 " (267 mm.)	13.78 " (350 mm.)

To change this parameter, click on the current value. A floating keyboard will appear where you must enter the new diameter in millimeters. Press "Enter" to finish.



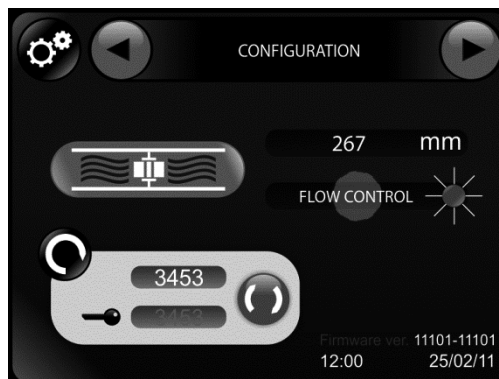
ACTIVATION OF FLOW-PROPORTIONAL RADIATION CONTROL

Unlike most systems in the market, HELIOX UV MP systems use two parameters when setting the lamp power, radiation measured by UV-C sensor and flow. Thus, the system sets a nominal radiation for each model, which is determined by the maximum flow of treatment to ensure a dose of 60 mJ/cm². If the flow is less than nominal, so too will be the radiation needed, so the systems will decrease the lamp output power, optimizing energy consumption and increasing lamp lifetime. Like the previous models, whether radiation decreases due to loss of efficiency of the lamp, turbidity, etc., the system will reset the lamp power.

WARNING:

In any case, the power output of the lamp will be less than 70% of its rated power.

To enable / disable flow control, click on that area. When the flow control is activated, the indicator blinks green.



FACTORY PARAMETER CONFIGURATION

The system also allows the configuration of certain operation parameters, by entering certain codes and passwords only available for factory or technical assistance staff.

7. MAINTENANCE:



Prior to the installation or replacement of any system component make sure it has been previously disconnected from the mains, and there is no water flow through it. Use only spare parts supplied by AstralPool.



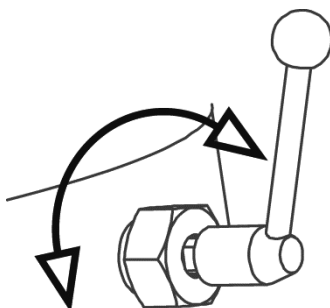
Do not handle the UV lamp until completely cold.

7.1. Mechanical cleaning of the quartz sleeve

FREQUENCY:

- Clean the quartz sleeve at least ONCE A DAY.

Manual cleaning of quartz sleeve is also possible using the handle located on the UV reactor. Turn the handle 180 ° very slowly. Repeat the process 2 or 3 times.



7.2. Replacement of the UV lamp

FREQUENCY:

- The replacement of the UV lamp should be done whenever the system RADIATION ALARM was active, and cleaning with the reactor manual device was not effective.
- When COMBINED CHLORINE levels in the pool are abnormally high.

PROCEDURE:

- 1.- Remove the front of the lamp connection boxes releasing the four screws that fix it to the body of the UV reactor.
- 2.- Disconnect the lamp from the terminals of the two connection boxes.
- 3.- Release the lock nuts on both sides of the lamp.
- 4.- Remove the Teflon end caps on both sides of the quartz sleeve.
- 5.- Completely extract the lamp holding it from one of the ceramic ends, so that it does not suffer any stress.

Warning



Always handle the UV lamp with gloves, as fat and other impurities deposited on the surface may reduce its performance and durability. In case you have to clean the lamp surface use a soft cloth soaked with alcohol.

- 6.- Insert the new lamp, holding it always from one of the ceramic ends, and insert it back into the quartz sleeve without stress.
- 7.- Place in its original position the Teflon end caps on both sides of the quartz sleeve.
- 9.- Screw the lock nuts on both sides of the lamp.
- 10.- Remount the front of the connection boxes in its original position so that it is properly fixed with the screws.



Warning

Whenever the lamp is replaced, the unit hour meter must be reset. To do this, reconnect the system with the switch on the front of the control panel, and proceed as follows:

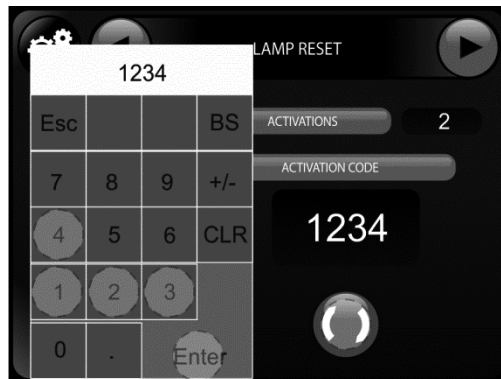


To access the **"Configuration"** screen, press the **"Diagnostics"** button. The system accesses the diagnostic screens both of the electronic ballast and the UV lamp power circuit discussed in Section 6.6.



Pressing the navigation key at the top right of the screen, you will access to the **"Lamp Reset"** screen. In the case of multiple-lamp systems (MP450), the screen corresponding to the lamp replaced should be selected. Perform this procedure on all the screens, in the case of replacing all the lamps of the unit.

This screen allows to reset the operation hour meter and the number of ignitions of the lamp each time it is replaced by a new one.



To do this, click on the activation code and using the pop-up keyboard, enter the code **"1234"**.



Press the **"Reset"** key to confirm.

The timer will now show **"0"**.

7.3. Chemical cleaning / replacement of the quartz sleeve

FREQUENCY:

- You should check at least ONCE A YEAR, the quartz sleeve does not contain any kind of deposit on its surface (lime, iron, manganese, organic matter, etc.).
- In any case, clean the quartz sleeve EACH TIME YOU REPLACE THE LAMP.

PROCEDURE:

EXTRACTION OF THE QUARTZ SLEEVE

- 1.- Follow the procedure described in Section 7.1 to remove the lamp inside the quartz sleeve.
- 2.- During the cleaning process of the sheath to ensure that the lamp has been placed in a safe place to keep your surface is dirty or broken.

Warning



Always handle the UV lamp with gloves, as fat and other impurities deposited on the surface may reduce its performance and durability. In case you have to clean the lamp surface use a soft cloth soaked with alcohol.

- 3.- Using the back of the Teflon cap, carefully push the quartz sleeve from one end and slide it smoothly until the O-ring on that side is released.
- 4.- Completely extract the lamp holding it from one of the ceramic ends, so that it does not suffer any stress.
- 5.- Carefully remove the O-ring on that side of the quartz sleeve.
- 6.- If it appears that the sleeve is completely transparent, place it again in its housing as described below.

7.- If it is necessary to clean the quartz sleeve, always do it with a soft cloth soaked with vinegar or diluted acid.

INSERTION OF THE QUARTZ SLEEVE

8.- With the help of the lever, move the cleaning mechanism of the sleeve to the right side of the reactor (viewed from the side of the sensors), where the sleeve will be introduced.

9.- Insert the sleeve into the first disc of the cleaning device until it reaches the second cleaning disc.

10.- Move the mechanism to the other end of the reactor, and push with one hand the sleeve, guiding at all times with a finger on the other hand so that it enters in the second cleaning disc, and trying to avoid any stress.

11.- Center the sleeve so that it sticks out equally from both sides of its housing.

12.- Lightly moisten the O-rings and put them in their original position, being slightly introduced on both sides of the sleeve.

13.- Place the end caps on the corresponding housings, and placing the palm on the cap, carefully press until the O-rings be introduced into the sleeve. In this position, the sleeve will stick out a few millimeters above the O-ring.

14.- Reassemble the lamp as described in Section 7.1.

7.4. Replacing seals in contact with the quartz sleeve

FREQUENCY:

- **Replace the seals in contact with the quartz sleeve EACH TIME YOU REPLACE THE LAMP.**

PROCEDURE:

To replace the seals of the quartz sleeve, proceed according to the procedure described in section 7.2.

7.5. Cleaning of the UV-C sensor

FREQUENCY:

- **You should check at least ONCE A YEAR that the quartz window of the UV-C sensor does not contain any type of deposit on its surface (lime, iron, manganese, organic matter, etc.)..**
- **In any case, clean the UV-C sensor EACH TIME YOU REPLACE THE LAMP.**

PROCEDURE:

1.- Disconnect the cable of the UVC-SE sensor.

2.- Unscrew and remove the UVC-SE sensor from its housing in the body of the UV reactor.

3.- If it appears that the sensor quartz window is fully transparent, place it again in its housing as described below. If it is necessary to clean the quartz window always do it with a soft cloth soaked with alcohol.

4.- Place and screw the UVC-SE sensor on its housing in the body of the UV reactor.

5.- Reconnect the sensor cable.

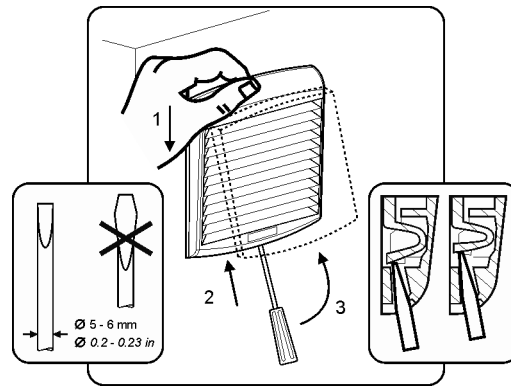
7.6. Verification of the control panel fan

FREQUENCY:

- **You should check the fan of the control panel, and clean up the grids and filters at least ONCE A YEAR, or if there is a noticeable fouling thereof.**

PROCEDURE:

1.- Remove the protection grids using a suitable screwdriver, as shown in the figure below.



2.- Clean and replace if necessary, the fiber filters inside.

3.- Mount again the grid in its position.

7.7. Control of system isolation and connections

FREQUENCY:

- You need to check the circuit breaker located inside the control panel at least EACH TIME YOU REPLACE THE UV LAMP, by pressing the TEST button located on its front.
- You need to check the status of all connections, especially the lamp power and the grounding of both the control panel and the UV reactor, EACH TIME YOU REPLACE THE LAMP.

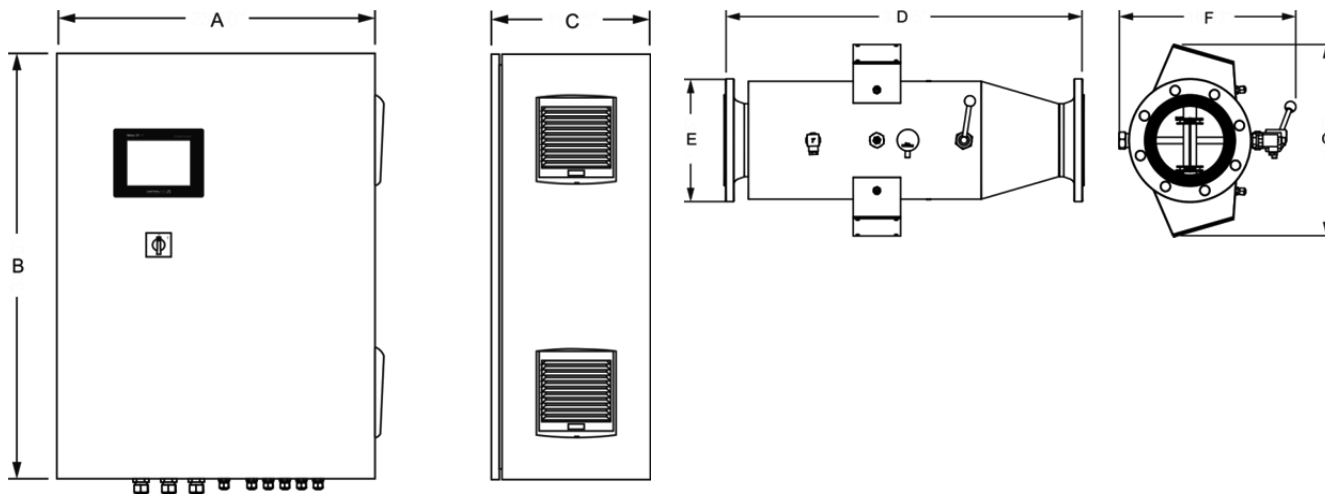
8. TECHNICAL SPECIFICATIONS:

	UV MP 50 52200	UV MP 80 52201	UV MP 140 52202	UV MP 300 52203	UV MP 450 52204
Flow (@ 3-log reduction)	220 gpm 50 m ³ /h	350 gpm 80 m ³ /h	615 gpm 140 m ³ /h	1,320 gpm 300 m ³ /h	1,975 gpm 450 m ³ /h
Material					
Control panel	Metallic, polyester-epoxy resin coating RAL 7035 / IP-54				
UV reactor	AISI-316L				
Dimensions					
Control panel	31.5" x 23.6" x 11.8" 800 x 600 x 300 mm.				
UV reactor (len./diam.)	33.0" / 10.7" 838 / 273 mm.			40.0" / 14.0" 1,017 / 356 mm.	44.8" / 14.0" 1,138 / 356 mm.
Flanges Inlet/Outlet	DN 150			DN250	
Max. rated pressure	50 psi / 3.45 bar				
Head loss	0.02 psi @ 220 gpm 0.02 psi @ 50 m ³ /h	0.05 psi @ 350 gpm 0.05 psi @ 80 m ³ /h	0.13 psi @ 615 gpm 0.13 psi @ 140 m ³ /h	0.18 psi @ 1,320 gpm 0.18 psi @ 300 m ³ /h	0.44 psi @ 1,975 gpm 0.44 psi @ 450 m ³ /h
Voltage	240 VAC / 50-60 Hz. (single-phase)				415/380/240/220 VAC 50-60 Hz. (3-phase)
Rated Power (W)	700	1000	3000	3000	6000
Electronic ballasts	1	1	1	1	2
UV-C Power (W)	105	150	450	450	900
Lamps	1	1	1	1	2
Lifetime (hours)	8,000 hours				
Cooling	Panel: fan + filter Ballast: self-cooled aluminium heatsink				
Control monitor Radiation Flow Temperature Lamp	3.4" TFT colour touchscreen (320x240 pixels) 6 languages UV-C sensor Flow sensor (stainless steel) Temperature sensor (PT-100, stainless steel). Power: current (A), voltage (V), consumption (W)				
Hour counter	●	●	●	●	●
Alarm log	●	●	●	●	●
Power control	●	●	●	●	●
Re-ignition control	●	●	●	●	●
Control inputs	Two (2) potential-free contacts: flow and remote stop				

Dimensions

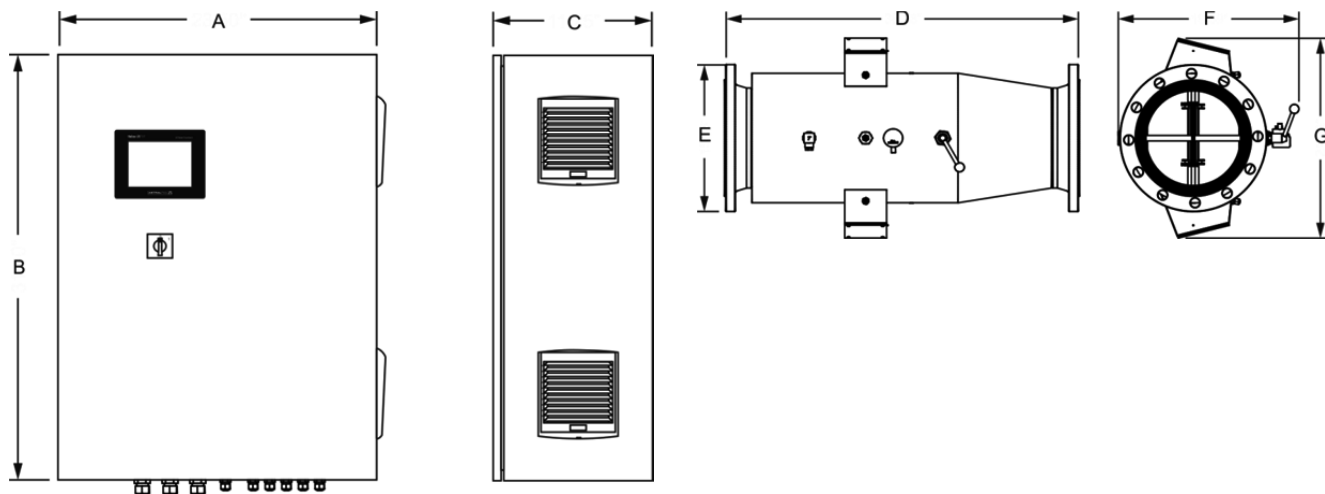
CONTROL PANEL

MP 50 ... MP 140 models



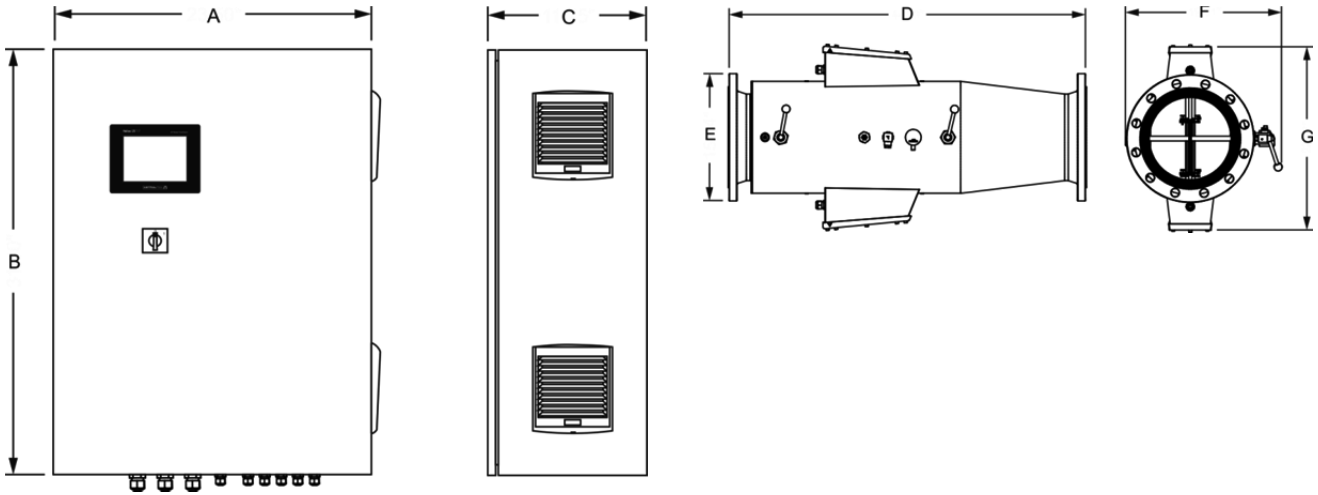
	A		B		C		D		E		F		G	
inch / mm	23.6	600	31.5	800	11.8	300	33.0	838	11.2	284	16.3	414	18.7	476

MP 300 model



	A		B		C		D		E		F		G	
inch / mm	23.6	600	31.5	800	11.8	300	40.0	1017	15.9	404	19.5	496	17.6	446

MP 450 model



	A		B		C		D		E		F		G	
inch / mm	23.6	600	31.5	800	11.8	300	44.8	1138	15.9	404	19.6	498	22.8	580

9. WARRANTY CONDITIONS:

9.1. GENERAL ASPECTS

- 9.1.1. According to these provisions, the seller guarantees that the guaranteed product is in perfect condition upon delivery.
- 9.1.2. The Total Warranty Period is 2 YEARS.
- 9.1.3. The Warranty period will be calculated as of delivery to the purchaser.
- 9.1.4. Should the Product be faulty and the seller is notified during the Guarantee Period, he shall repair or replace the Product at his own cost wherever he sees fit, unless this is either impossible or out of proportion.
- 9.1.5. When the Product cannot be repaired or replaced, the buyer may request a proportional price reduction or, if the fault is important enough, rescission of the sales contract.
- 9.1.6. Parts replaced or repaired pursuant to this warranty shall not extend the warranty period of the original Product, although they shall have their own warranty.
- 9.1.7. For this warranty to be effective, the buyer shall accredit the date of acquisition and delivery of the Product.
- 9.1.8. When the buyer alleges a fault in the product over six months after its delivery, he shall accredit the original and existence of the alleged fault.
- 9.1.9. This Warranty Certificate does not limit or prejudice consumer rights pursuant to national legislation.

9.2. SPECIFIC CONDITIONS

- 9.2.1. For this warranty to be effective, the buyer must closely follow the manufacturer's instructions included in the documentation supplied with the product, as applicable to each product range and model.
- 9.2.2. Whenever a schedule is defined for the replacement, maintenance or cleaning of certain product parts or components, the warranty shall only be valid when said schedule has been correctly followed.

9.3. LIMITATIONS

- 9.3.1. This warranty shall only be applicable to sales to consumers, with consumer being defined as a person who purchases the product for other than professional purposes.
- 9.3.2. No warranty is applicable to normal wear or the product, parts, components and/or fungible or consumable materials..
- 9.3.3. The warranty does not cover cases in which the product: (i) has been incorrectly treated; (ii) has been inspected, repaired, maintained or handled by an unauthorised person; (iii) has been repaired or maintained with non-original parts, or (iv) has been incorrectly installed or started up.
- 9.3.4. When a faulty product results from incorrect installation or start-up, this warranty shall only be applicable when the installation or start-up forms part of the product contract of sale and had been performed by the seller or under the seller's responsibility.
- 9.3.5. Damage or faults due to any of the following causes:
 - Lamp failure after 100 hours of verifiable normal operation.
 - Use of explicitly unauthorised chemicals.
 - Quartz sleeve breakage.
 - Operation at operating pressures higher than 50 psi (3.45 bar).
 - Improper operating voltage or element wiring.
 - Exposure to corrosive environments and/or temperatures of less than 2°C (36°F) or more than 40°C (104°F).

IMPORTANT : Le mode d'emploi fourni comporte des informations importantes concernant les mesures de sécurité à appliquer pour l'installation et le démarrage. Par conséquent, l'installateur ainsi que l'utilisateur doivent lire les instructions avant de commencer l'installation et le démarrage. Conservez ce mode d'emploi pour toute référence ultérieure.



Élimination des appareils ménagers électriques et électroniques usagés dans l'Union européenne

Les produits portant ce symbole ne doivent pas être mélangés ou éliminés avec vos ordures ménagères lorsqu'ils arrivent en fin de vie. Il incombe à l'utilisateur d'éliminer ce type de déchets en les retournant dans un centre de recyclage spécialisé dans l'élimination sélective des appareils électriques et électroniques usagés. Le recyclage et le traitement adaptés de ces déchets contribuent largement à la préservation de l'environnement et à la santé des utilisateurs. Pour plus d'informations concernant les centres de collecte de ce type de déchets, veuillez contacter le revendeur auprès duquel vous avez acheté le produit ou votre mairie.

Afin de garantir une performance optimale du système de traitement HELIOX UV MP, nous vous recommandons de suivre les instructions ci-après :

1. CONTRÔLE DU CONTENU DE L'EMBALLAGE :

L'emballage doit comporter les éléments suivants :

- Réacteur UV.
- Capteur de débit : Câble SI5004 + EVC005 (5 m) ⁽¹⁾.
- Capteur de température : Câble MBT5250 + MBTC-05 (5 m) ⁽¹⁾ ; ou câble TM 4411+ EVC005 (5 m) ⁽¹⁾.
- Détecteur de rayonnement : Câble UVC-SE + EVC059 (5 m) ⁽¹⁾
- Tableau de commande.
- Câbles d'alimentation de lampe LP-035 x2 (5 m). ⁽¹⁾ (pour les modèles MP 50 ... MP 300).
- Câbles d'alimentation de lampe LP-045 x2 (5 m). ⁽¹⁾ (pour le modèle MP 450).
- Mode d'Emploi.

⁽¹⁾ Des longueurs de câbles personnalisées peuvent être fournies sur demande.

2. CARACTÉRISTIQUES GÉNÉRALES :

Les actions germicides de la lampe à ultraviolet (UV) avec des longueurs d'onde d'environ 260 nm sont connues depuis plus de 100 ans. Son utilisation a augmenté récemment car elle présente un certain nombre d'avantages par rapport à nos systèmes de désinfection chimiques ; comme elle n'altère quasiment pas la composition physique et chimique de l'eau, elle est très efficace contre n'importe quel type de microorganisme (algues, bactéries, virus, champignons, levures, etc.) et minimise par ailleurs les risques de manipulation et de dosage des substances chimiques potentiellement dangereuses. Le traitement UV combiné dans l'eau réduit en outre les niveaux de chlore, ce qui permet de réaliser d'importantes économies d'eau tout en minimisant le volume et la fréquence de renouvellement de l'eau de piscine.

Outre le maintien d'un niveau de chlore déterminé dans l'eau de piscine, le système de traitement HELIOX UV MP garantit la qualité sanitaire de l'eau de piscine. Le système de traitement HELIOX UV MP fonctionne lorsque la recirculation de la piscine (pompe et filtre) est opérationnelle.

Les systèmes de traitement HELIOX UV MP sont conçus et fabriqués avec la dernière technologie de traitement UV de l'eau, garantissant ainsi un fonctionnement continu et une maintenance minimale.

Les caractéristiques de l'architecture de contrôle proposée pour les systèmes HELIOX UV MP permettent d'atteindre les meilleurs niveaux de fiabilité, d'efficacité et d'évolutivité.

- Étant donné que les systèmes comportent à la fois des détecteurs de rayonnement et des capteurs de débit calibrés, un ajustement continu de la puissance de la lampe est autorisé pour optimiser la consommation d'énergie et la durée de vie. Les capteurs calibrés ne nécessitent pas d'intervention de l'utilisateur, ce qui n'était pas le cas avec la gamme précédente de systèmes UV.
- Contrairement à la gamme précédente, les systèmes HELIOX UV MP gèrent deux paramètres de réglage de la puissance de la lampe : le rayonnement mesuré par le capteur et le débit. Le système définit ainsi un rayonnement nominal pour chaque modèle déterminé par le débit de traitement maximum nécessaire pour atteindre une efficacité de désinfection minimale. Si le débit traité est inférieur au débit nominal, il en va de même pour le rayonnement, les systèmes diminuent ainsi la puissance de sortie de la lampe pour optimiser la consommation d'énergie et accroître la durée de vie de la lampe. Comme dans la gamme précédente, si le rayonnement diminue en raison d'une perte de rendement de la lampe, de turbidité, etc., le système ajuste la puissance de la lampe.
- Le système d'alimentation de la lampe est basé sur un ballast électronique qui permet le fonctionnement continu à un rendement élevé (supérieur à 95 %).

3. HOMOLOGATIONS :

La gamme de systèmes HELIOX UV MP est homologuée pour un usage en piscine:

Produits certifiés:

Versions de racleur manuel: **MP-50, MP-80, MP-140, MP-300, MP450**
Versions de racleur automatique: **MP50W, MP80W, MP140W, MP300W, MP450W**

Les produits mentionnés ci-dessus sont conformes aux Directives et Normes suivantes :

- **UL**
 - UL 1081, Pompes pour Piscines, Filtres et chlorateurs, sixième Édition en date du 29 janvier 2008 (y compris les révisions du 29 novembre 2011).
 - UL 1563, Spas Électriques, Ensembles d'Équipements et Équipements Associés, Sixième Édition en date du 16 juillet 2009 (y compris les révisions du 25 août 2011).
 - CAN/CSA C22.2 n° 108-01, Quatrième Édition, Mise à Jour n°2 en date de mars 2003.
 - CAN/CSA C22.2 n° 218.1-M89, Première Édition, Mise à Jour N°4 en date de mars 2010 (reconduite en 2011).

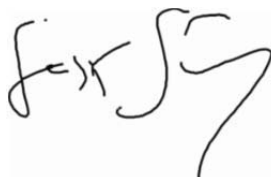
- **NSF**
 - Homologation selon la norme NSF-50.
 - Cette unité a prouvé sa capacité à assurer l'élimination ou l'inactivation de 3 log vis-à-vis de *Enterococcus faecium* [ATCC #6569] et *Pseudomonas aeruginosa* [ATCC #27113].
 - Cette unité n'a pas prouvé sa capacité à assurer l'élimination ou l'inactivation de 3 log vis-à-vis de Cryptosporidium.
 - Ce produit est conçu pour une désinfection supplémentaire et est destiné à être utilisé avec des niveaux résiduels d'agents chimiques de désinfection EPA appropriés. Les niveaux résiduels spécifiques des agents chimiques de désinfection EPA peuvent être requis par l'agence de réglementation compétente.

- **Déclaration CE de Conformité**

Les produits énumérés ci-dessus sont conformes à:

- La Directive des Appareils à Basse Tension 2006/95/EC.
- La Directive de Compatibilité Électromagnétique 2004/108/EC.
- La Directive ROHS 2011/65/EC.

I.D. ELECTROQUIMICA, S.L.
Pol. Ind. Atalayas, c./ Dracma R-19
E-03114 Alicante
Spain



Gaspar Sánchez
General Manager

CONSIGNES DE SÉCURITÉ IMPORTANTES

AVERTISSEMENT : lors de l'installation et de l'utilisation d'équipements électriques, les consignes de sécurité de base doivent toujours être observées, notamment ce qui suit :

LISEZ ET OBSERVEZ TOUTES LES CONSIGNES

Un câble jaune-vert marqué ⊕^(*) est fourni sur cette unité pour relier un conducteur en cuivre solide no. 8 AWG minimum pour les États-Unis (UL) et no. 6 AWG pour le Canada (CSA) entre cette unité et tout équipement métallique, boîtier métallique d'équipement électrique, tuyau ou conduit d'eau métallique situé à 1,5 m de l'unité.

Deux cosses d'attache marquées ⊕^(*) sont fournies sur les brides d'extrémité de la chambre UV adaptées pour les calibres no. 8 AWG (US) et no. 6 AWG (Canada) et sécurisées sur la chambre au moyen d'une rondelle et d'un écrou.

^(*)CEI 60417, symbole 5019

Ce produit doit être relié à un circuit protégé par un disjoncteur de fuite à la terre.

Utilisation finale en piscine. N'utilisez pas ce système dans une application autre que celle pour laquelle il a été conçu.

L'équipement doit être installé et manipulé par des personnes qualifiées.

Les règlements actuels en matière d'électricité et de prévention des accidents doivent être appliqués.

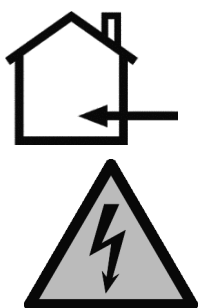
Le fabricant ne peut en aucun cas être tenu responsable du montage, de l'installation ou du démarrage, de la manutention ou de l'installation de composants à moins qu'ils ne soient effectués dans ses locaux.

Vérifiez que tous les connecteurs électriques sont correctement serrés pour éviter tout faux contact ou surchauffe associée.

Installez le tableau de commande de manière à ce que les grilles de refroidissement ne soient pas obstruées.

À utiliser en intérieur uniquement. Ce produit ne peut être utilisé à l'extérieur.

Avant l'installation ou le remplacement d'un composant du système, assurez-vous qu'il a été préalablement débranché du secteur et qu'il n'y a pas de débit d'eau dans celui-ci. Utilisez uniquement les pièces de rechange fournies par AstralPool.





Ne retirez jamais le contre-écrou de la gaine en quartz lorsque l'eau recircule dans le réacteur UV ; il pourrait être éjecté et provoquer des dommages.



La lumière UV générée par cet équipement peut provoquer de graves blessures si les yeux ou la peau entrent directement en contact avec la lampe. Ne branchez jamais le système si la lampe est en dehors du réacteur.



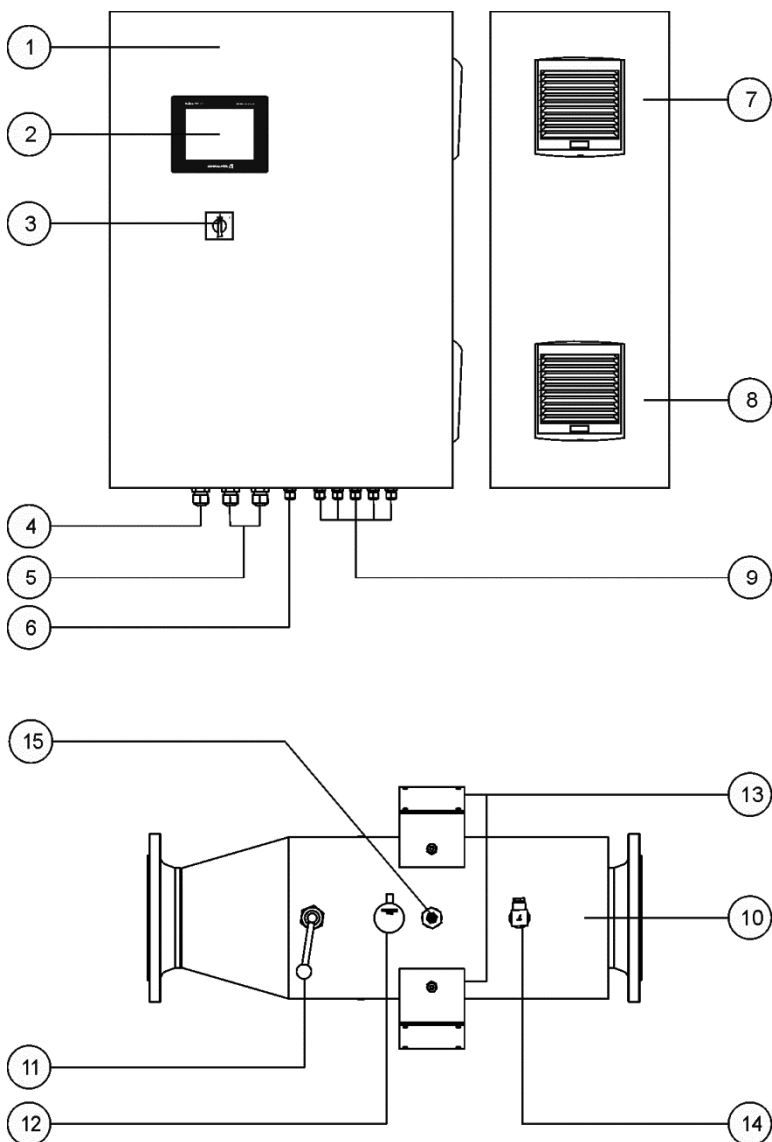
Ne manipulez pas la lampe UV tant qu'elle n'a pas complètement refroidi.



Manipulez toujours la lampe UV avec des gants ; les graisses et autres impuretés déposées sur la surface peuvent réduire sa performance et durabilité. Si vous devez nettoyer la surface de la lampe, utilisez un chiffon doux imbibé d'alcool.

CONSERVEZ LES CONSIGNES

4. DESCRIPTION DU SYSTÈME



- | | |
|--|--|
| <ul style="list-style-type: none"> 1.- Tableau de commande. 2.- Écran tactile. 3.- Interrupteur principal. 4.- Entrée de câble d'alimentation. 5.- Sorties pour câbles d'alimentation de lampe. 6.- Sortie pour câble de Masse de réacteur UV. 7.- Grille de refroidissement/filtre. 8.- Grille de ventilateur/filtre. | <ul style="list-style-type: none"> 9.- Entrées pour câbles de capteur. 10.- Réacteur UV. 11.- Dispositif de nettoyage pour gaine en quartz (version racleur manuel). 12.- Capteur de débit. 13.- Boîte de jonction de lampe UV. 14.- Capteur de température. |
|--|--|

5. INSTALLATION :

5.1. Généralités

- Pour garantir un bon état de conservation, le système HELIOX UV MP doit être installé dans un endroit sec et bien ventilé dans le local technique. Le degré de protection des systèmes HELIOX UV MP ne permet pas une installation extérieure.
- La température sur le lieu d'installation doit être comprise entre 35°F (2°C) et 107°F (42°C) et l'humidité relative ne doit pas dépasser 80 %.
- Installez l'unité le plus loin possible de tout lieu de stockage de produits chimiques et de sources d'humidité.

Avertissement



Sachez que solutions réductrices de pH (notamment celles à base d'acide chlorhydrique « HCl ») peuvent contribuer à la formation d'une ambiance corrosive. N'installez pas le système HELIOX UV MP à proximité de lieux de stockage de ces produits chimiques. Nous vous conseillons vivement d'utiliser des produits chimiques à base de bisulfate de sodium ou d'acide sulfurique dilué.

5.2. Installation du réacteur UV

Le réacteur des systèmes HELIOX UV MP peut être installé horizontalement ou verticalement, comme illustré dans le schéma d'installation recommandé (Fig. 1a/b).

Avertissement



Si le réacteur UV est installé horizontalement, la lampe doit toujours rester à l'horizontale par rapport au sol ; en effet, en cas de bas débit et si la lampe est installée à la verticale, une bulle d'air peut se former dans sa partie supérieure et devenir une partie de l'ampoule exposée. Étant donné la température de service élevée des lampes moyenne pression, il est facile de comprendre que cette situation doit toujours être évitée.

Si le réacteur UV est installé horizontalement, les capteurs doivent rester dans la partie supérieure.

Observez les indications de sens de débit présentes sur la chambre UV.

Le réacteur des systèmes HELIOX UV MP est composé d'inox AISI 316 L dans lequel se loge la lampe UV. Le système HELIOX UV MP doit toujours être installé après le système de filtrage et avant tout autre dispositif dans l'installation comme les pompes à chaleur, systèmes de contrôle, systèmes de dosage, systèmes d'électrolyse au sel, etc.

L'installation du système UV doit permettre un accès facile à la lampe UV par l'utilisateur. L'emplacement du système HELIOX UV MP doit avoir des dimensions utiles permettant le retrait complet de la lampe UV de la gaine (environ un mètre de chaque côté des boîtes de jonction de la lampe UV).

Il est fortement recommandé d'installer le système HELIOX UV MP dans un endroit du tuyau qui peut être facilement isolé du reste de l'installation par deux vannes, de manière à ce que les activités de maintenance puissent être effectuées sans vidange partielle ou totale de la piscine. Lorsque le système est installé sur une dérivation (option recommandée), une vanne pour réguler le débit doit être installée.

Avertissement



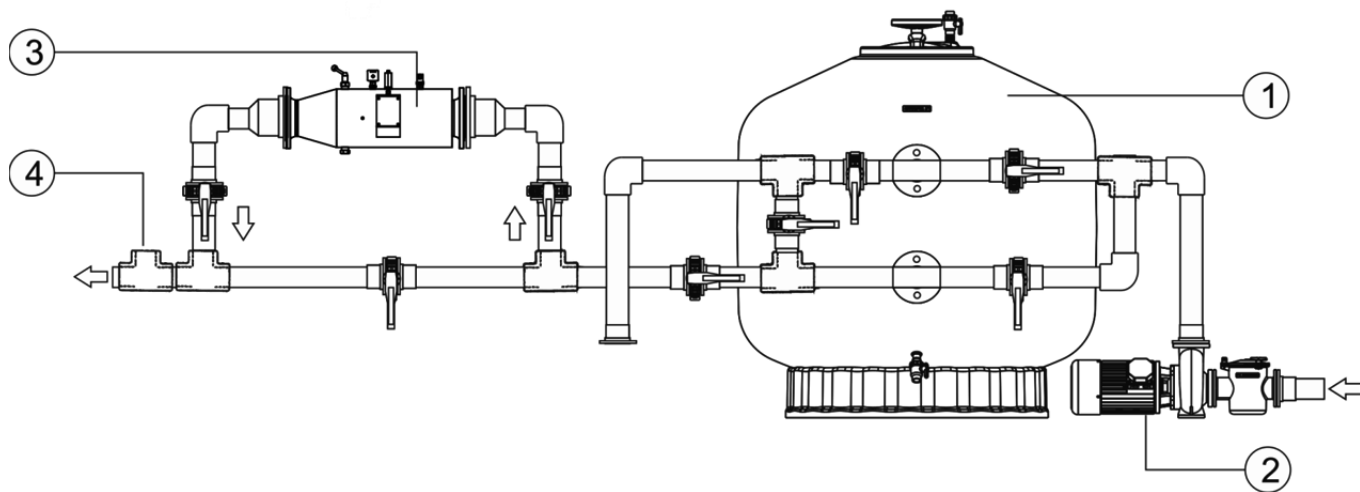
Avant l'installation ou le remplacement d'un composant du système, assurez-vous qu'il a été préalablement débranché du secteur et qu'il n'y a pas de débit d'eau dans celui-ci. Utilisez uniquement les pièces de rechange fournies par AstralPool.



La mise à la terre de la chambre UV doit être effectuée dans les deux cosses d'attache marquées ⊕ (*) sur les brides d'extrémité à l'aide d'un conducteur en cuivre solide no. 8 AWG (États-Unis) et no. 6 AWG (Canada) et être sécurisée sur la chambre au moyen de rondelles et d'écrous.

Légende

1. Filtre.
2. Pompe.
3. Réacteur UV.
4. Autres équipements (pompes de dosage, contrôleurs, échangeurs de chaleur, etc.).



AVERTISSEMENT

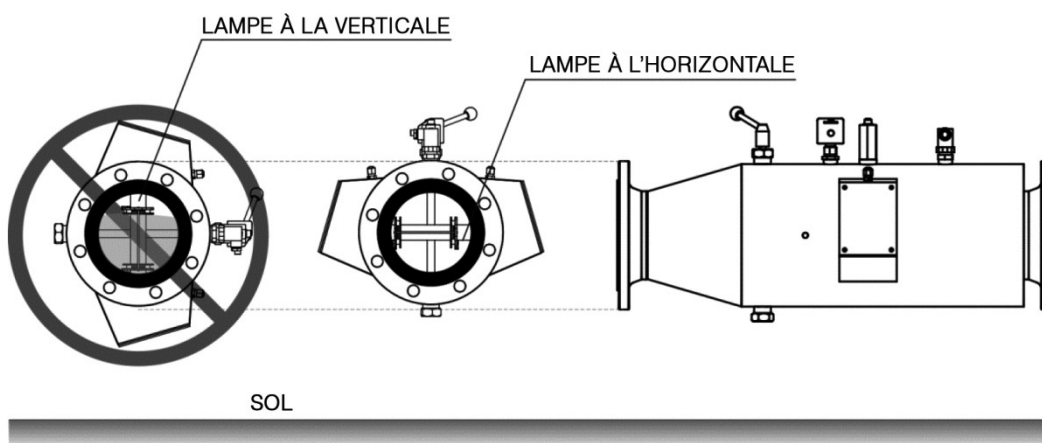


Fig.1a. Systèmes HELIOX UV MP. Schéma d'installation recommandée (HORIZONTAL).

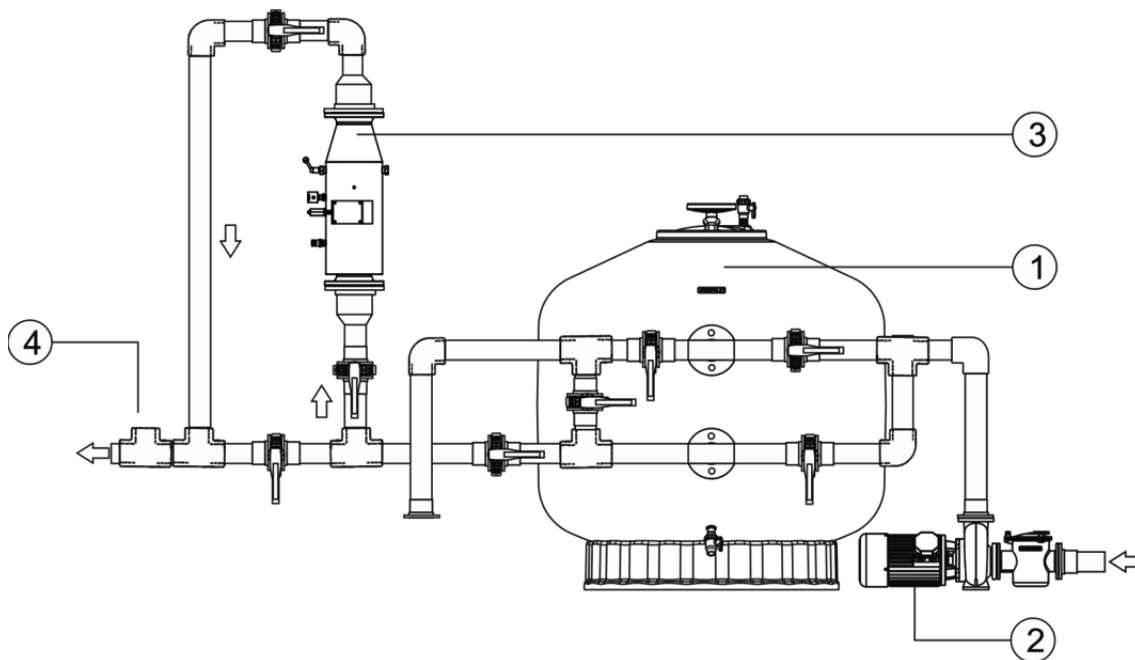


Fig.1b. Systèmes HELIOX UV MP. Schéma d'installation recommandée (VERTICAL).

5.3. Installation du tableau de commande

- Installez toujours le TABLEAU DE COMMANDE du système HELIOX UV MP verticalement et sur une surface rigide (paroi), de manière à ce que l'écran tactile situé sur le panneau avant soit au niveau des yeux.
- Le ventilateur de refroidissement et les grilles ne doivent pas être obstrués.

Avertissement



L'équipement doit être assemblé et manipulé par des personnes qualifiées.

Les règlements actuels en matière d'électricité et de prévention des accidents doivent être appliqués.

N'essayez pas de modifier le système pour l'utiliser à une tension différente.

L'alimentation du tableau de commande du système HELIOX UV MP et l'interconnexion de la lampe UV et des capteurs doivent être effectuées au niveau du bornier à la base à l'intérieur du tableau de commande. La base du tableau de commande comprend une série de presse-étoupes pour la fixation correcte des câbles d'alimentation et capteurs. Dans tous les cas, la longueur ou section ne doit pas être modifiée sans avoir consulté au préalable un technicien agréé par AstralPool.

Avertissement



Utilisez des conducteurs en cuivre uniquement.

Connexion permanente.

TABLEAU DE COMMANDE: SCHÉMA DE CÂBLAGE

Modèles MP 50 ... MP 300

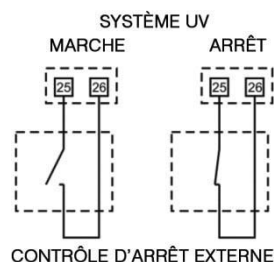
Bornier	Entrée du tableau de commande	Câble	Description des fils
PE			MASSE
1	ALIMENTATION 240 VCA / 50-60 Hz / monophasée	(1)	PHASE
2			NEUTRE
PE			LIAISON DU RÉACTEUR UV
3	SORTIE DE LA LAMPE UV	LP-035/1	ROUGE
4		LP-035/2	ROUGE
5	SW-11	LP-035/1	NOIR « 1 »
6	SW-12		NOIR « 2 »
7	SW-21	LP-035/2	NOIR « 1 »
8	SW-22		NOIR « 2 »
9	ENTRÉE DU CAPTEUR DE DÉBIT SI5004	EVC-005	MARRON
10			BLANC
11			BLEU
12	ENTRÉE DU DÉTECTEUR DE RAYONNEMENT UVC-SE	EVC059	BLANC
13			MARRON
14			NOIR
15	ENTRÉE DU CAPTEUR DE TEMPÉRATURE TM4411 / MBT5250	EVC-005	GRIS
16			MARRON
17			BLANC
18			BLEU
19	ENTRÉE DU RÉGULATEUR DE DÉBIT	(3)	CONTACT SANS POTENTIEL
20			
21	ENTRÉE D'ARRÊT EXTERNE	(4)	CONTACT SANS POTENTIEL
22			

(1) Non fourni avec l'unité.

(2) Non fourni avec l'unité. La liaison doit être effectuée avec un conducteur en cuivre solide no. 8 AWG (États-Unis) / no. 6 AWG (Canada)

(3) Entrée pontée par défaut. Nous recommandons fortement de verrouiller le système UV avec le contacteur de pompe de recirculation au moyen de l'un de ses contacts auxiliaires NO.

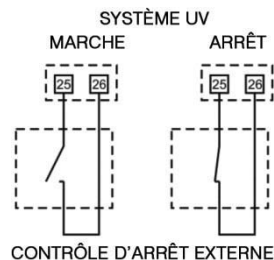
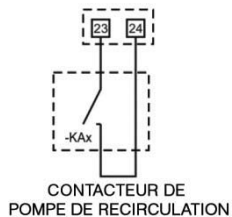
(4) Logique d'entrée



Modèle MP 450 (versions 220/240V)

Bornier	Entrée du tableau de commande	Câble	Description des fils
PE	ALIMENTATION 240 VCA / 50-60 Hz / triphasée	(1)	MASSE
2			PHASE (R)
3			PHASE (S)
4			PHASE (T)
PE	LIAISON DU RÉACTEUR UV	(2)	MASSE
5	SORTIE DE LA LAMPE UV 1	LP-045/1-1	ROUGE
6		LP-045/2-1	ROUGE
7	SORTIE DE LA LAMPE UV 2	LP-045/1-2	BLANC
8		LP-045/2-2	BLANC
9	SW-11	LP-045-1	NOIR « 1 »
10	SW-12		NOIR « 2 »
11	SW-21	LP-045-2	NOIR « 1 »
12	SW-22		NOIR « 2 »
13	ENTRÉE DU CAPTEUR DE DÉBIT SI5004	EVC-005	MARRON
14			BLANC
15			BLEU
16	ENTRÉE DU DÉTECTEUR DE RAYONNEMENT UVC-SE	EVC059	BLANC
17			MARRON
18			NOIR
19			GRIS
20	ENTRÉE DU CAPTEUR DE TEMPÉRATURE TM4411 / MBT5250	EVC-005	MARRON
21			BLANC
22			BLEU
23	ENTRÉE DU RÉGULATEUR DE DÉBIT	(3)	CONTACT SANS POTENTIEL
24	ENTRÉE D'ARRÊT EXTERNE	(4)	CONTACT SANS POTENTIEL
25			
26			

- (1) Non fourni avec l'unité.
- (2) Non fourni avec l'unité. La liaison doit être effectuée avec un conducteur en cuivre solide no. 8 AWG (États-Unis) / no. 6 AWG (Canada).
- (3) Entrée pontée par défaut. Nous recommandons fortement de verrouiller le système UV avec le contacteur de pompe de recirculation au moyen de l'un de ses contacts auxiliaires NO.
- (4) Logique d'entrée



Modèle MP 450 (versions 380/415V)

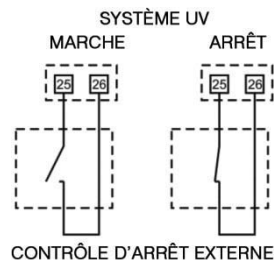
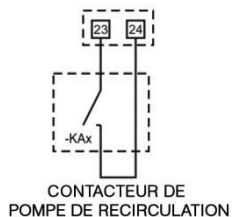
Bornier	Entrée du tableau de commande	Câble	Description des fils
PE	ALIMENTATION 240 VCA / 50-60 Hz / triphasée	(1)	MASSE
1			NEUTRE
2			PHASE (R)
3			PHASE (S)
4			PHASE (T)
PE	LIAISON DU RÉACTEUR UV	(2)	MASSE
5	SORTIE DE LA LAMPE UV 1	LP-045/1-1	ROUGE
6		LP-045/2-1	ROUGE
7	SORTIE DE LA LAMPE UV 2	LP-045/1-2	BLANC
8		LP-045/2-2	BLANC
9	SW-11	LP-045-1	NOIR « 1 »
10	SW-12		NOIR « 2 »
11	SW-21		NOIR « 1 »
12	SW-22		NOIR « 2 »
13	ENTRÉE DU CAPTEUR DE DÉBIT SI5004	EVC-005	MARRON
14			BLANC
15			BLEU
16	ENTRÉE DU DÉTECTEUR DE RAYONNEMENT UVC-SE	EVC059	BLANC
17			MARRON
18			NOIR
19			GRIS
20	ENTRÉE DU CAPTEUR DE TEMPÉRATURE TM4411 / MBT5250	EVC-005	MARRON
21			BLANC
22			BLEU
23	ENTRÉE DU RÉGULATEUR DE DÉBIT	(3)	CONTACT SANS POTENTIEL
24			
25	ENTRÉE D'ARRÊT EXTERNE	(4)	CONTACT SANS POTENTIEL
26			

(1) Non fourni avec l'unité.

(2) Non fourni avec l'unité. La liaison doit être effectuée avec un conducteur en cuivre solide no. 8 AWG (États-Unis) / no. 6 AWG (Canada).

(3) Entrée pontée par défaut. Nous recommandons fortement de verrouiller le système UV avec le contacteur de pompe de recirculation au moyen de l'un de ses contacts auxiliaires NO.

(4) Logique d'entrée



⁽¹⁾ Taille de fil minimum recommandée

Modèle	240 V / monophasé	240 V / triphasé	415 V / triphasé
MP 50	3 x AWG 16 (3 x 1.50 mm ²)	N/A	N/A
MP 80	3 x AWG 16 (3 x 1.50 mm ²)	N/A	N/A
MP 140	3 x AWG 12 (3 x 4 mm ²)	N/A	N/A
MP 300	3 x AWG 12 (3 x 4 mm ²)	N/A	N/A
MP 450	N/A	3 x AWG 12 (3 x 4 mm ²)	5 x AWG 12 (3 x 4 mm ²)

5.4. Branchement de la lampe UV

Raccordez les lampes UV installées dans le réacteur UV sur les bornes correspondantes situées sur le tableau de commande à l'aide des câbles fournis avec l'unité (LP-0XX) (voir page 8-9). Pour ce faire ouvrez les boîtes de jonction des deux côtés du réacteur UV et reliez les fils aux bornes correspondantes :

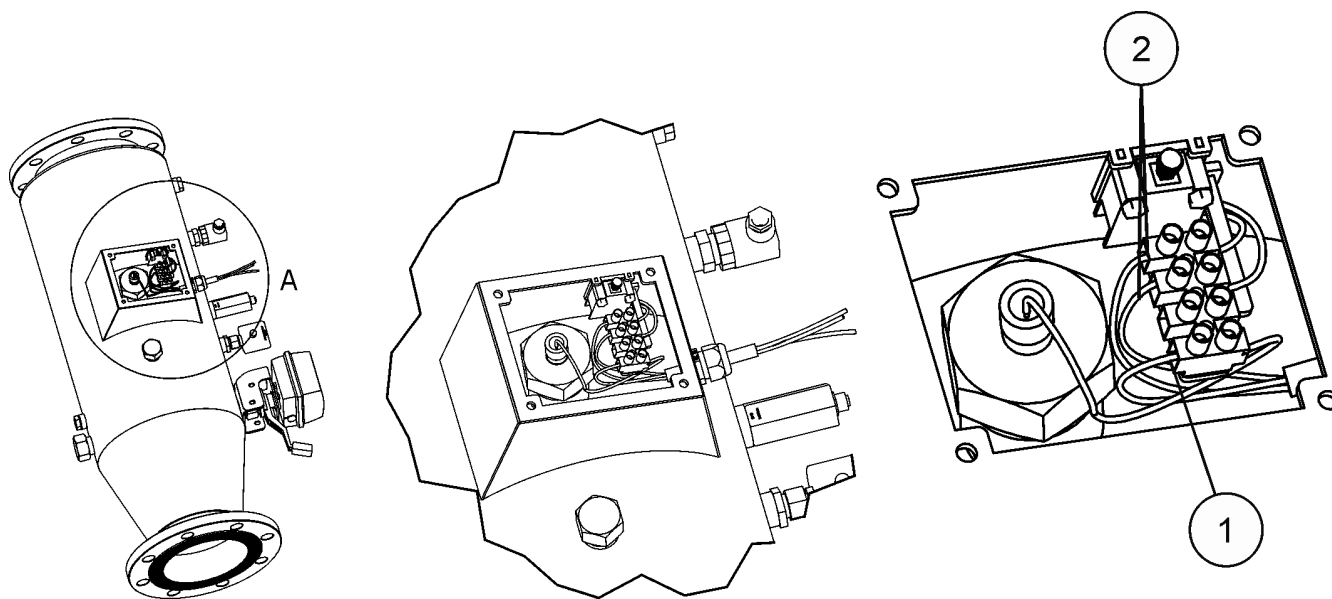
- 1.- Alimentation de la lampe (rouge).
2. Micro-interrupteur (fils noirs, marqués « 1 » et « 2 »).

Avertissement

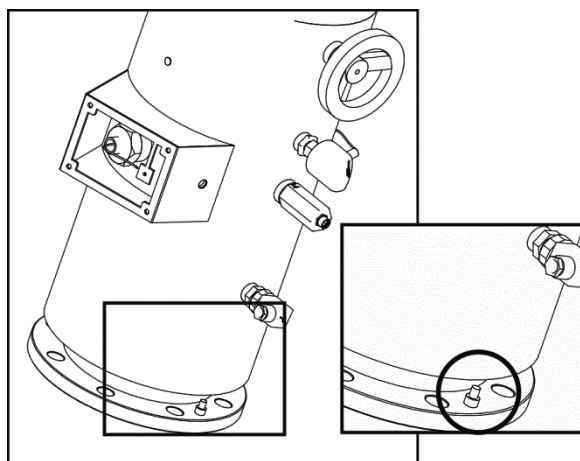


L'unité est équipée d'un mécanisme automatique pour arrêter l'alimentation de la lampe UV lorsque le couvercle est extrait.

Une fois le branchement effectué, fermez les boîtes de jonction en vous assurant que le joint est correctement positionné.



Vous devrez peut-être également relier le fil de masse aux DEUX cosses d'attache marquées ⊕^(*) sur les brides d'extrémité de la chambre UV, adaptées pour les calibres no. 8 AWG (US) et no. 6 AWG (Canada), et le sécuriser sur la chambre au moyen d'une rondelle et d'un écrou.



Avertissement



Avant l'installation ou le remplacement d'un composant du système, assurez-vous qu'il a été préalablement débranché du secteur et qu'il n'y a pas de débit d'eau dans celui-ci.

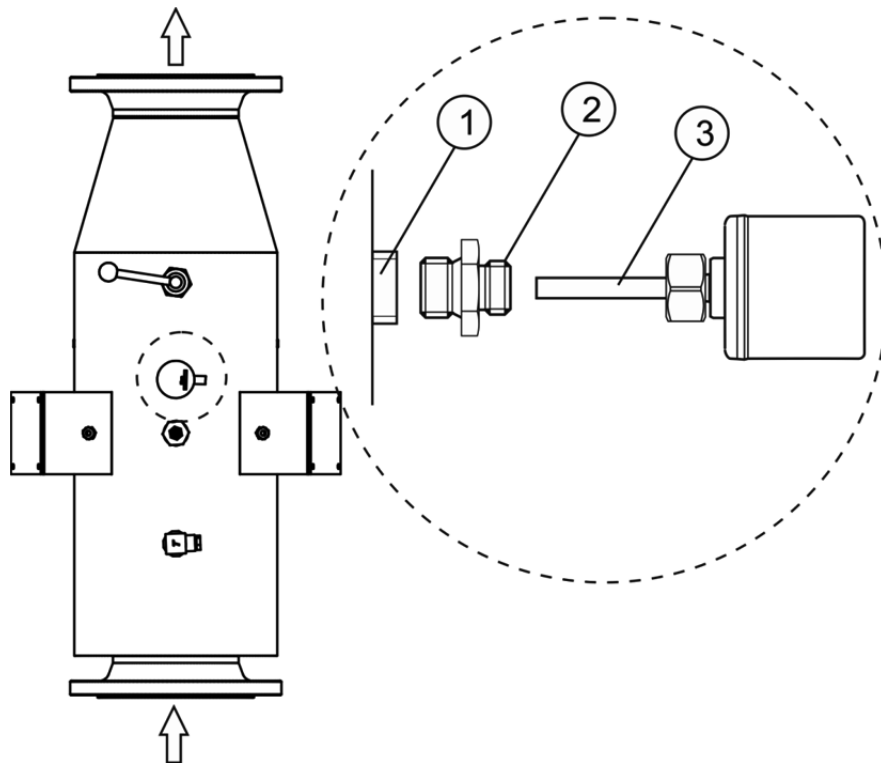


Vérifiez que tous les connecteurs électriques sont correctement serrés pour éviter tout faux contact ou surchauffe associée.

5.5. Installation du capteur de débit SI5004

Le capteur de débit SI5004 est un détecteur calorimétrique qui convertit sa réponse en un signal analogique 4/20 mA. Le signal de sortie correspond à la courbe du capteur. La barre de LED située dans la tête indique la vitesse de débit relative dans la plage de détection. Lorsqu'il n'y a pas de débit, la LED « 0 » clignote. Le capteur SI5004 est calibré en usine (entre 5 et 100 cm/s) dans l'eau, il n'est donc pas nécessaire d'effectuer un recalibrage au moment de l'installation. Le temps de réponse du capteur peut être de 1 à 10 secondes.

Vissez l'adaptateur de filetage E40096 fourni dans la position marquée « **FLOW** » sur le corps du réacteur UV. Puis, vissez le capteur de débit SI5004 sur l'adaptateur.



1. Entrée du capteur de débit « **FLOW** » sur le réacteur UV.
2. Adaptateur de filetage E40096 M18-1/2".
3. Capteur de débit SI5004.

Fig. 2

Reliez le capteur SI5004 au câble EVC005 fourni avec l'unité aux bornes correspondantes sur le bornier à l'intérieur du boîtier de commande. (voir pages 8-9).

5.6. Installation du détecteur de rayonnement UVC-SE

Le capteur UVC-SE fourni avec l'unité HELIOX UV MP fournit une méthode de mesure robuste et stable dans le temps du rayonnement UV-C dans les systèmes de désinfection d'eau. Son corps en inox lui apporte une grande stabilité et une bonne résistance à la corrosion. Le capteur UVC-SE est fourni calibré par rapport à une référence PTB. Le circuit électronique situé à l'intérieur génère un signal transféré au tableau de commande du système.

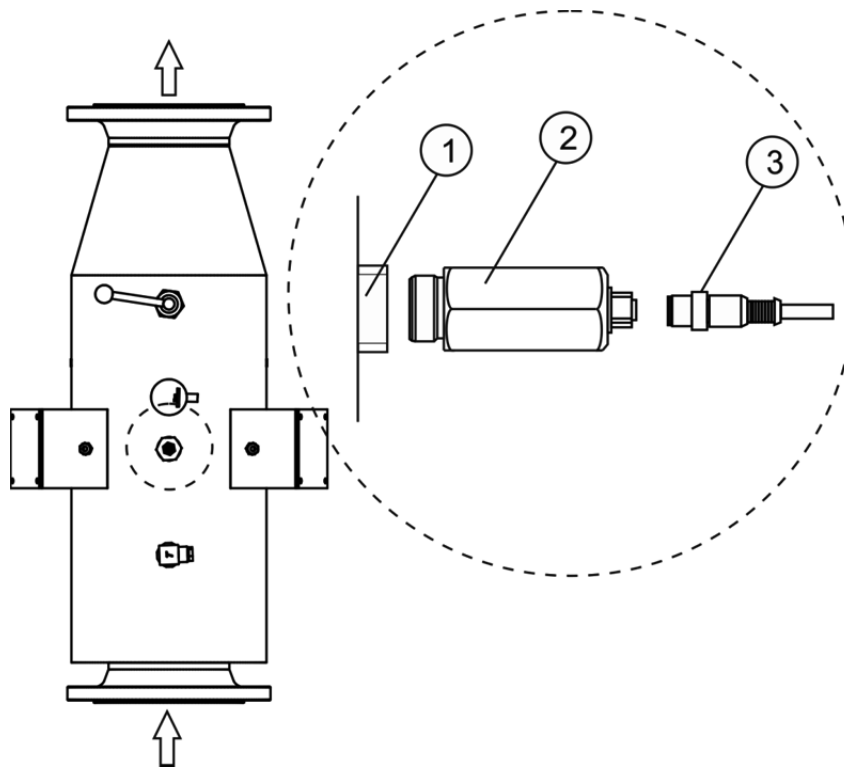
Avertissement



Manipulez toujours la lampe UV avec des gants ; les graisses et autres impuretés déposées sur la surface peuvent réduire sa performance et durabilité. Si vous devez nettoyer la surface de la lampe, utilisez un chiffon doux imbibé d'alcool.

Dévissez la gaine en plastique qui protège la vitre du capteur. Conservez cette protection en lieu sûr pour les activités de maintenance ultérieures.

Vissez le capteur UVC-SE dans la position marquée « **UV-C** » sur le corps du réacteur UV.



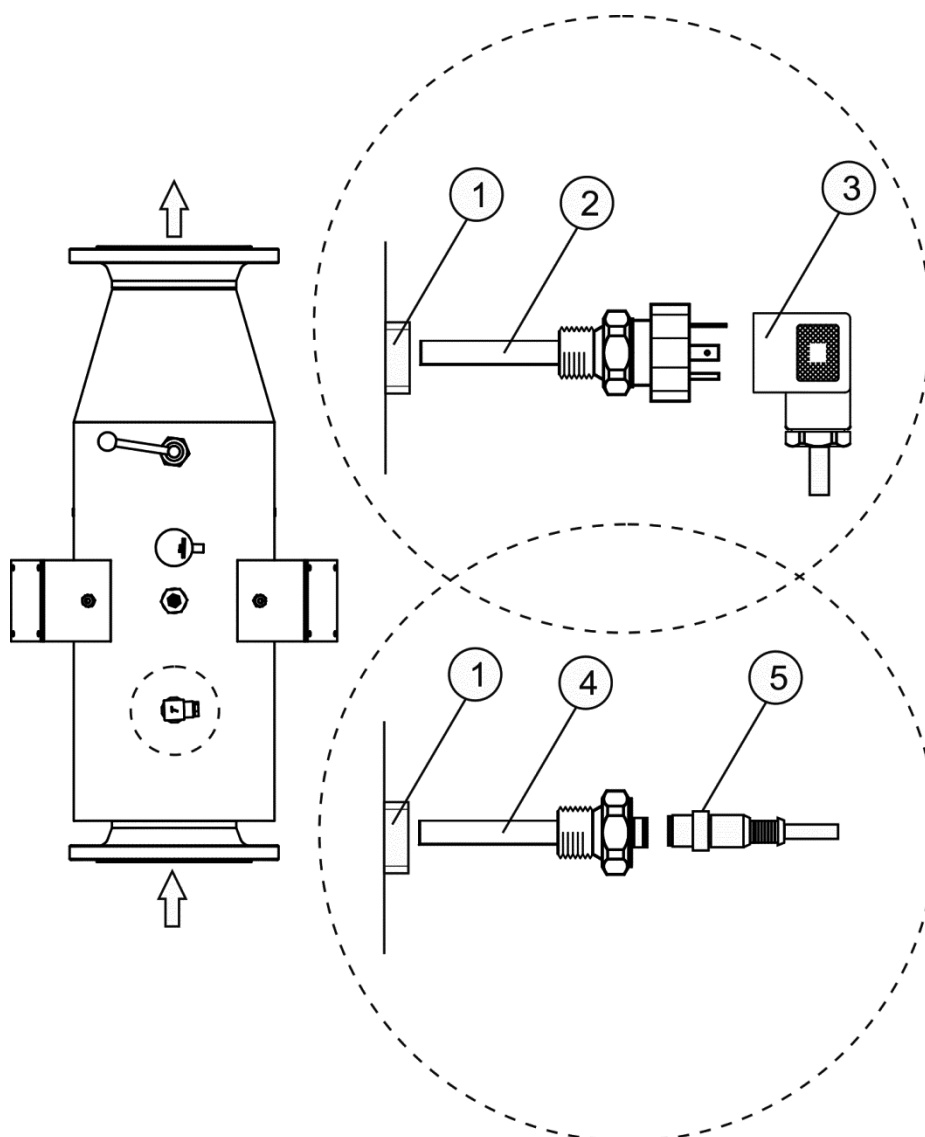
1. Entrée du détecteur de rayonnement « **UV-C** » sur le réacteur UV.
2. Détecteur de rayonnement UVC-SE.
3. Câble UVC-05.

Fig. 3

Reliez le capteur UVC-SE au câble EVC059 fourni avec l'unité aux bornes correspondantes sur le bornier à l'intérieur du boîtier de commande (voir pages 8-9).

5.7. Installation du capteur de température TM4411 / MBT5250

La sonde de température TM4411/MBT5250 comprend un capteur Pt-100 qui convertit sa réponse en un signal analogique 4/20 mA. Le capteur TM4411/MBT5250 est calibré en usine ; il n'est donc pas nécessaire de le recalibrer lors de l'installation.



Configuration avec capteur MBT5250		Configuration avec capteur TM4411	
1.	Entrée du capteur de température « Temp. » sur le réacteur UV.	1.	Entrée du capteur de température « Temp. » sur le réacteur UV.
2.	Capteur de température MBT5250.	4.	Capteur de température TM4411.
3.	Câble MBTC-05.	5.	Câble EVC005.

Fig. 4

Vissez le capteur MBT5250 / TM4411 dans la position marquée « **TEMP** » sur le corps du réacteur UV.

Reliez le capteur MBT5250 / TM4411 au câble MBT-05 / EVC005 fourni avec l'unité aux bornes correspondantes sur le bornier à l'intérieur du boîtier de commande. (voir pages 8-9).

5.8. Commandes et voyants lumineux

Les systèmes de traitement HELIOX UV MP sont équipés d'un écran tactile situé à l'avant du tableau de commande, qui inclut un logiciel avancé de contrôle intégral du processus de traitement et d'alimentation de la lampe UV. L'interrupteur principal du système est également situé sur le panneau avant.

5.9. Démarrage

1. Assurez-vous que le filtre est propre à 100 % et que la piscine et l'installation ne contiennent ni cuivre, ni fer ni algues.
2. La chimie analytique de l'eau est très importante pour garantir que le système HELIOX UV MP fonctionne à des niveaux de rendement maximum. Avant de démarrer le système, vérifiez que les paramètres suivants sont dans les niveaux recommandés :

- Fer : moins de 0,3 mg/l.
- Dureté : moins de 120 mg/l.
- Turbidité : moins de 1 NTU.
- Manganèse : moins de 0,05 mg/l.
- TSS : moins de 10 mg/l.
- Transmission d'UV : plus de 75 %.

Si les niveaux de l'un de ces paramètres dépassent les valeurs recommandées, nous vous conseillons de faire un pré-traitement approprié pour les corriger.

3. Équilibrage de l'eau de la piscine. Ceci nous permet d'obtenir un traitement plus efficace avec une concentration inférieure de chlore libre dans l'eau et une plus longue durée de vie utile de la lampe en plus d'incrustations de calcium inférieures sur la gaine en quartz.

a) Le pH doit être compris entre 7,2 et 7,6

b) L'alcalinité doit être comprise entre 60 et 120 ppm.

4. Vérifiez que tous les raccords hydrauliques sont correctement assemblés et qu'il n'y a pas de fuites entre eux.
5. Laissez l'eau recirculer pendant quelques minutes au moins pour évacuer l'air et la saleté qui pourraient se trouver à l'intérieur du réacteur UV.
6. Reliez le système à l'aide de l'interrupteur principal [2] à l'avant du tableau de commande.

Avertissement



Ne branchez jamais le système si la lampe est en dehors du réacteur.

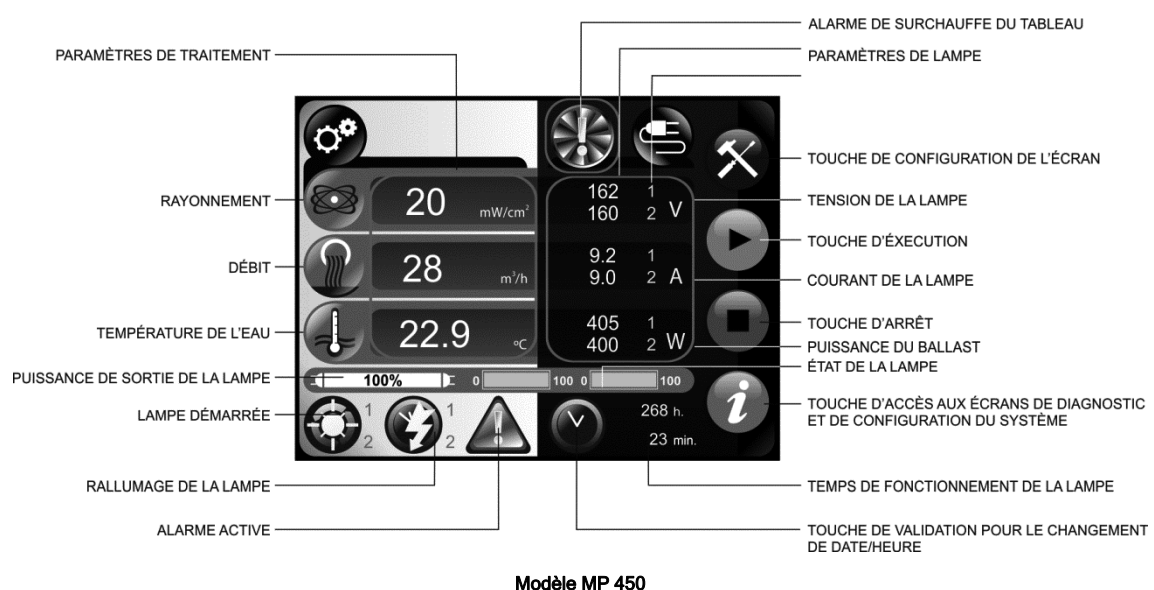
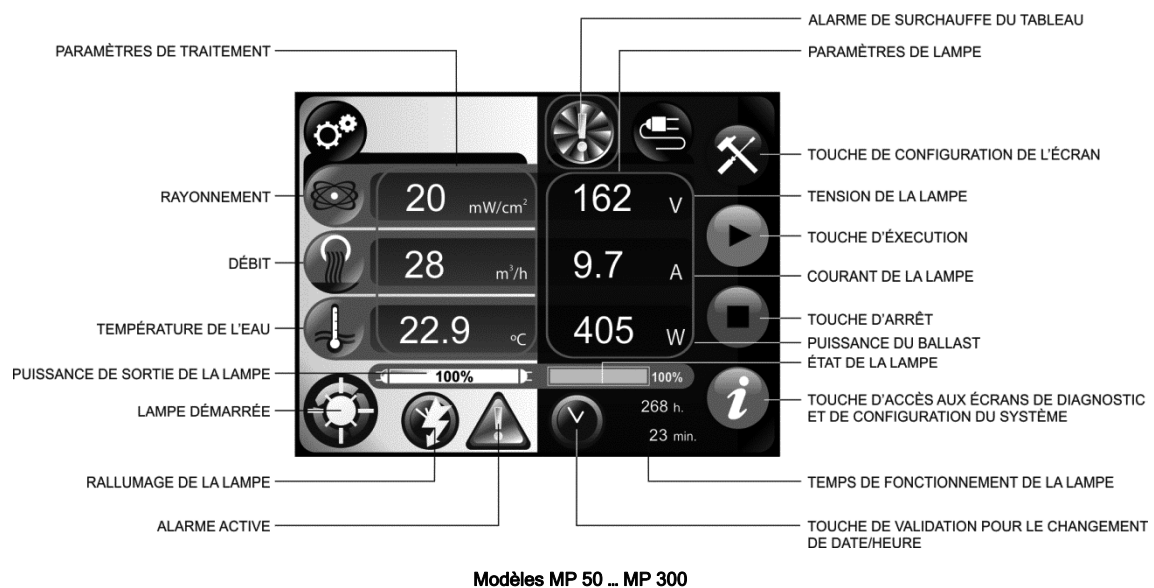
6. FONCTIONNEMENT :

6.1. Écran principal du système

Le premier écran qui apparaît lorsque vous démarrez le système montre le modèle de système et une barre indiquant l'avancement du chargement du microprogramme et son numéro de version.



Lorsque le microprogramme est chargé, l'écran de contrôle principal du système apparaît. Cet écran est divisé en différentes zones d'information.



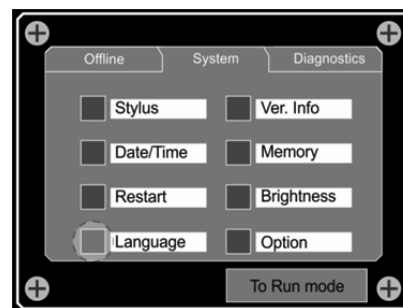
6.2. Sélection de la LANGUE

Le système HELIOX UV MP est configuré en usine sur ENGLISH. Si vous voulez travailler dans une autre langue (FRANÇAIS, ESPAGNOL, ITALIEN, ALLEMAND ou PORTUGAIS), procédez comme décrit ci-après.

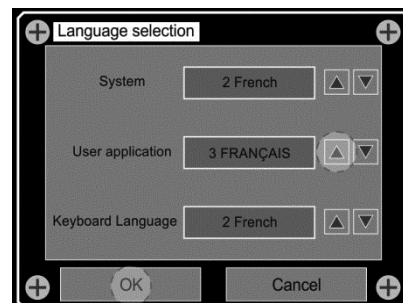
Pour accéder aux menus de configuration de l'écran, appuyez sur le bouton en haut à droite de l'écran.



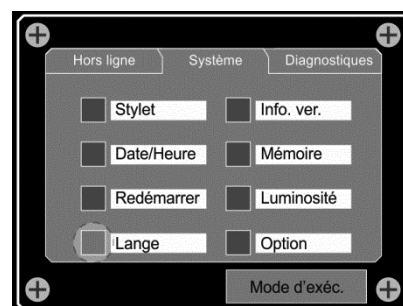
A l'écran « System », cliquez sur le bouton « Language ».



Avec les touches du curseur, sélectionnez « Français » dans les trois champs et appuyez sur le bouton « OK » pour valider.



Dorénavant tous les affichages apparaissent dans la langue sélectionnée « Français ». Pour retourner à l'écran principal de l'application, appuyez sur le bouton « Mode d'exéc. »



6.3. Configuration de la DATE/HEURE

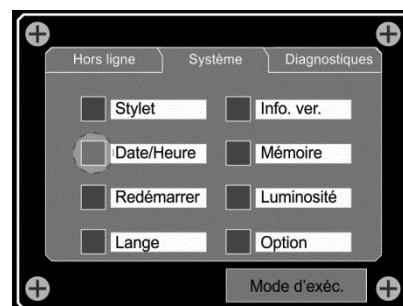
Les réglages d'horloge continuent de fonctionner 30 jours après la déconnexion du tableau de commande si la batterie a été chargée pendant six heures consécutives avant de débrancher le système. L'horloge DATE / HEURE est au format 24 heures et prend en compte les années bissextiles.

Pour configurer les réglages DATE / HEURE du système, procédez comme suit.

Pour accéder aux menus de configuration de l'écran, appuyez sur le bouton en haut à droite de l'écran.



A l'écran « System », cliquez sur le bouton « Date/Heure »



Cliquez directement sur le champ à modifier.

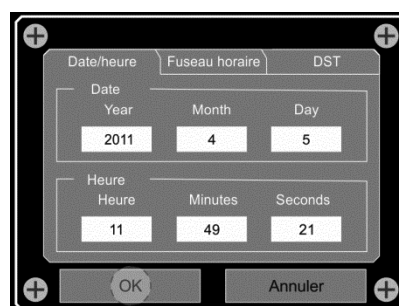
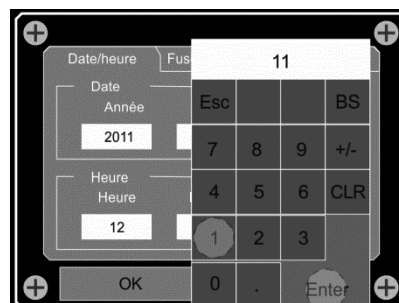
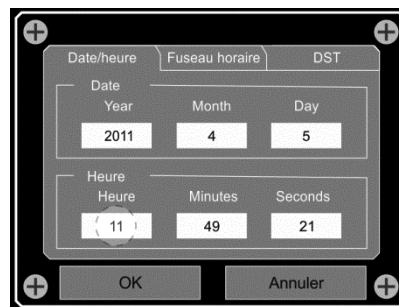
Entrez la nouvelle valeur sur le clavier qui apparaît à l'écran. Une fois la saisie effectuée, appuyez sur « Enter » pour valider.

Procédez de la même manière avec les autres champs à modifier.

Lorsque vous avez configuré la date/l'heure du système, procédez de la même manière pour ajuster vos réglages « Fuseau horaire » et « DST » pour le passage automatique à l'heure d'hiver/d'été.

Appuyez sur « OK » pour retourner à l'application principale.

Pour transférer les paramètres DATE/HEURE de l'écran tactile vers l'UC du système, appuyez sur la touche de validation DATE/HEURE dans l'écran principal de l'application.



Avertissement



Les autres réglages d'écran sont définis en usine par défaut et ne doivent être modifiés que sous la supervision d'un technicien Astralpool autorisé.

6.4. Initialisation du système



EXÉCUTION

Appuyez sur cette touche pour allumer la lampe UV.

AVERTISSEMENT :



En cas de débranchement soudain de la lampe pour une raison ou une autre (arrêt, alarme, etc.), le système ne démarre pas la lampe immédiatement mais effectue un rallumage contrôlé une fois les conditions de fonctionnement normales restaurées, ce qui préserve son intégrité.

Le voyant lumineux de rallumage clignote en bas de l'écran.



Une fois la lampe allumée, cette icône apparaît en bas à droite de l'écran.

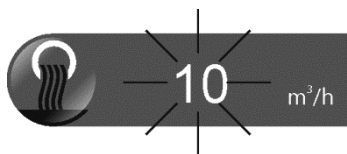
Le système ajuste progressivement le niveau de puissance de sortie pour atteindre le rayonnement de consigne en fonction du modèle installé.



ARRÊT

Appuyez sur cette touche pour éteindre la lampe UV.

6.5. Gestion des alarmes

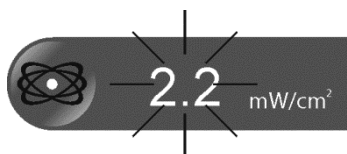


DÉBIT FAIBLE

Lorsque le capteur installé détecte un débit d'eau insuffisant à l'intérieur du réacteur UV, le système déconnecte la lampe UV et le voyant lumineux « **Flow** » [*Débit*] clignote à l'écran.

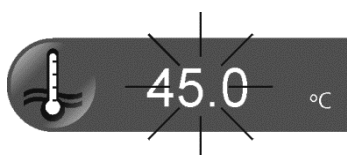
AVERTISSEMENT :

Une fois le débit d'eau restauré, le système est automatiquement réinitialisé.



FAIBLE RAYONNEMENT

Lorsque le détecteur de rayonnement installé dans le réacteur détecte des valeurs trop faibles pour garantir une dose minimale de 60 mJ/cm², même avec la lampe fonctionnant à 100% de sa puissance nominale, le voyant lumineux « **Radiation** » [*rayonnement*] clignote à l'écran.



TEMPÉRATURE D'EAU ÉLEVÉE

Lorsque le capteur de température installé dans le réacteur UV détecte une température d'eau supérieure à 113°F (45°C), le système déconnecte la lampe UV et le voyant « **Temperature** » clignote à l'écran.

SURCHAUFFE DU TABLEAU DE COMMANDE :

Le tableau de commande est conçu pour toujours fonctionner à des températures internes inférieures à 113°F (45°C). Si pour une raison ou une autre (température externe excessive, défaillance du ventilateur de refroidissement interne, etc.), la température atteint des valeurs plus élevées, le système déconnecte automatiquement l'alimentation de la lampe UV, laissant le ventilateur de refroidissement interne fonctionner jusqu'à ce que la température intérieure chute au-dessous de cette valeur.

Le voyant lumineux de surchauffe clignote en haut de l'écran.

AVERTISSEMENT :

La température est réglée par le thermostat [F0] situé à l'intérieur du tableau de commande pour que la température de consigne d'usine 113°F (45°C) ne soit en aucun cas modifiée.

Une fois le problème résolu, il est nécessaire de redémarrer le système en appuyant sur la touche RUN.

ALARME ACTIVE / JOURNAL DES ALARMES

Lorsque le système détecte qu'une alarme est active, il déconnecte la lampe UV.

Le système ne permet pas sa réinitialisation tant que l'alarme n'a pas disparu et que l'utilisateur ne l'a pas acquittée en cliquant sur l'icône.

Cliquez sur cette icône pour afficher une liste de toutes les alarmes actuellement actives.



Message	Date	Heure
✓ TEMPERATURE RADIATEUR	11/23/2011	06:37:43
TEMPERATURE EAU	08/20/2011	10:24:23
DEBIT	07/19/2011	08:23:54
RAYONNEMENT FAIBLE	04/10/2011	04:12:13

Message	Date	Heure
✓ TEMPERATURE RADIATEUR	11/23/2011	06:37:43
TEMPERATURE EAU	08/20/2011	10:24:23
DEBIT	07/19/2011	08:23:54
RAYONNEMENT FAIBLE	04/10/2011	04:12:13

Si vous appuyez sur le bouton situé en haut du menu pour accéder au journal des alarmes, vous pouvez consulter toutes les alarmes détectées par le système à partir de sa connexion.



Pour quitter le menu, il vous suffit d'appuyer sur les touches fléchées situées en haut de l'écran.

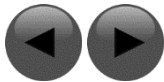


6.6. Diagnostic du ou des circuits d'alimentation de la ou des lampes UV.

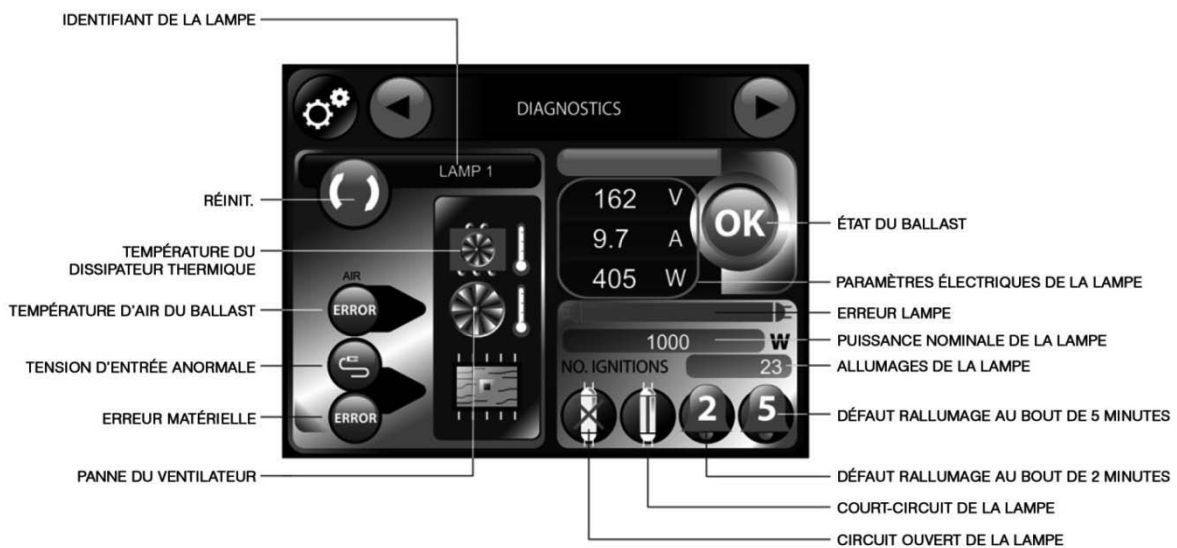


Lorsque vous appuyez sur la touche « **Diagnostics** », le système accède à un écran de diagnostic du ballast électronique et du circuit d'alimentation de la lampe UV.

Cet écran fournit des informations plus détaillées sur le fonctionnement du ballast électronique de sorte qu'en cas de dysfonctionnement ou de panne, il est très facile d'en localiser la cause.



Les touches de navigation situées en haut de l'écran permettent d'accéder aux divers écrans de diagnostic et de configuration.



Avertissement

Lorsqu'il y a une alarme dans le ballast électronique, elle est verrouillée jusqu'à ce que vous appuyiez sur le bouton « **RÉINIT** ».



DÉSACTIVATION D'UN DES CIRCUITS D'ALIMENTATION DANS DES SYSTÈMES À LAMPES MULTIPLES

Dans les systèmes à lampes multiples (MP450), il est possible d'annuler l'un des circuits d'alimentation des lampes si cela est nécessaire pour une raison quelconque (ex. : laisser le système en service pendant le remplacement d'une lampe, etc.). Pour cela, accédez à l'écran de diagnostic de la lampe correspondante et appuyez sur l'icône. Lorsque le circuit d'alimentation est désactivé, l'icône jaune clignote. Pour réactiver le circuit, cliquez simplement sur l'icône. Elle redevient verte.

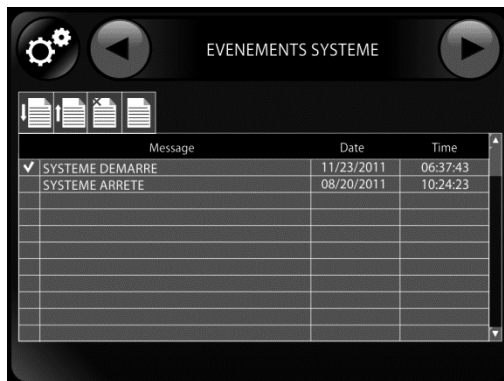
6.7. Journal des évènements du système



Pour accéder au journal des évènements du système, appuyez sur la touche « **Diagnostics** ». Le système accède aux écrans de diagnostic du ballast électronique et du circuit d'alimentation de la lampe UV (voir Section 6.6).



Appuyez sur la touche de navigation en haut à droite de l'écran pour accéder à l'écran du journal de certains évènements du système depuis sa connexion.



Ce registre est automatiquement supprimé chaque fois que le système est déconnecté (**seulement dans les versions de microprogramme avant 11102-XXX et 11202-XXX**).

6.8. Configuration des paramètres auxiliaires du système

L'écran « **Configuration** » permet de modifier plusieurs paramètres auxiliaires du système.



Pour accéder à l'écran « **Configuration** », appuyez sur le bouton « **Diagnostics** ». Le système accède aux écrans de diagnostic du ballast électronique et du circuit d'alimentation de la lampe UV (voir Section 6.6).



Appuyez de manière répétée sur la touche de navigation située en haut à droite de l'écran pour afficher l'écran « **Configuration** ».

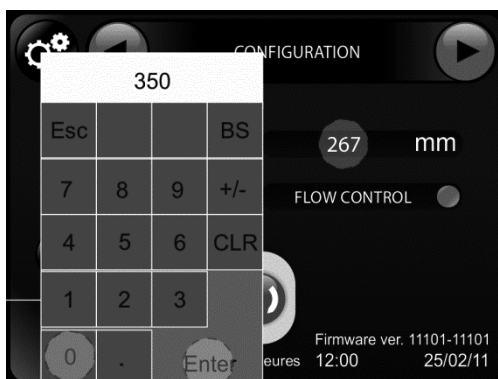


DIAMÈTRE INTERNE DE LA CELLULE DE DÉBIT

L'écran de configuration permet de modifier le diamètre de la cellule de débit. À moins qu'il ne soit nécessaire de modifier l'emplacement du capteur de débit de sa position par défaut dans le réacteur UV pour un autre point dans l'installation, car les débits mesurés étaient en dehors de la plage de détection du capteur (entre 5 et 100 cm/s), ce paramètre correspond toujours au diamètre interne du réacteur UV, sa modification n'est donc pas nécessaire.

MP 50 ... MP 140	MP 300 ... MP 450
10.51 " (267 mm.)	13.78 " (350 mm.)

Pour modifier ce paramètre, cliquez sur la valeur actuelle. Un pavé numérique flottant apparaît lorsque vous devez saisir le nouveau diamètre en millimètres. Appuyez sur « Enter » pour valider.



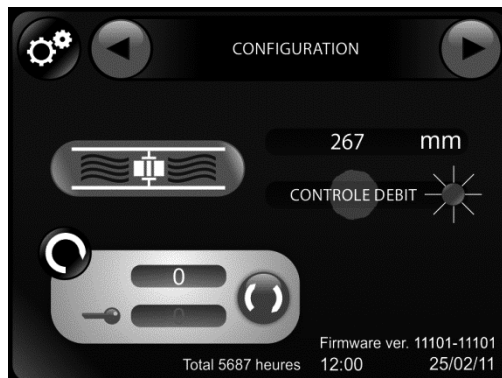
ACTIVATION DU CONTRÔLE DE RAYONNEMENT PROPORTIONNEL AU DÉBIT

Contrairement à la plupart des systèmes sur le marché, les systèmes HELIOX UV MP utilisent deux paramètres lors du réglage de la puissance de la lampe, le rayonnement mesuré par le capteur UV-C et le débit. Le système définit ainsi un rayonnement nominal pour chaque modèle, qui est déterminé par le débit de traitement maximum pour garantir une dose de 60 mJ/cm^2 . Si le débit est inférieur au débit nominal, il en va de même pour le rayonnement, les systèmes diminuent ainsi la puissance de sortie de la lampe, optimisant la consommation d'énergie et augmentant la durée de vie de la lampe. Comme les modèles précédents, si le rayonnement diminue en raison d'une perte d'efficacité de la lampe, de turbidité, etc., le système réinitialise la puissance de la lampe.

AVERTISSEMENT :

Dans tous les cas, la sortie de puissance de la lampe est inférieure à 70% de sa puissance nominale.

Pour activer / désactiver le réglage du débit, cliquez sur cette zone. Lorsque le réglage de débit est activé, le voyant lumineux vert clignote.



CONFIGURATION DES PARAMÈTRES D'USINE

Le système permet également la configuration de certains paramètres de fonctionnement, en saisissant certains codes et mots de passe uniquement disponibles pour le personnel d'usine ou le personnel d'assistance technique.

7. MAINTENANCE :



Avant l'installation ou le remplacement d'un composant du système, assurez-vous qu'il a été préalablement débranché du secteur et qu'il n'y a pas de débit d'eau dans celui-ci. Utilisez uniquement les pièces de rechange fournies par AstralPool.



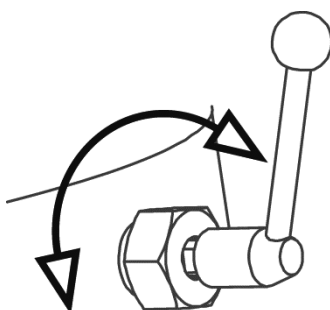
Ne manipulez pas la lampe UV tant qu'elle n'a pas complètement refroidi.

7.1. Nettoyage mécanique de la gaine en quartz

FRÉQUENCE :

- Nettoyer le gaine en quartz au moins une fois par jour.

Il est également possible de nettoyage manuel du gaine en quartz à l'aide de la levier située sur le réacteur UV. Tournez la levier de 180° très lentement. Répétez les processus 2 ou 3 fois.



7.2. Remplacement de la lampe UV

FRÉQUENCE :

- La lampe UV doit être remplacée lorsque l'ALARME RAYONNEMENT du système est déclenchée et que si le nettoyage avec le dispositif manuel est inefficace.
- Lorsque les niveaux de CHLORE COMBINÉ dans la piscine sont anormalement élevés.

PROCÉDURE :

- 1.- Retirez l'avant des boîtes de jonction de la lampe en desserrant les quatre vis qui la fixent sur le corps du réacteur UV.
- 2.- Débranchez la lampe des bornes des deux boîtes de jonction.
- 3.- Desserrez les contre-écrous des deux côtés de la lampe.
- 4.- Retirez les embouts en Téflon des deux côtés de la gaine en quartz.
- 5.- Retirez complètement la lampe en la tenant par l'une des extrémités en céramique pour ne pas la déformer.

Avertissement



Manipulez toujours la lampe UV avec des gants ; les graisses et autres impuretés déposées sur la surface peuvent réduire sa performance et durabilité. Si vous devez nettoyer la surface de la lampe, utilisez un chiffon doux imbibé d'alcool.

- 6.- Insérez la nouvelle lampe, en la tenant par l'une des extrémités en céramique, et remplacez-la dans la gaine en quartz sans la déformer.
- 7.- Placez les embouts en Téflon dans leur position d'origine, des deux côtés de la gaine en quartz.
- 9.- Serrez les contre-écrous des deux côtés de la lampe.
- 10.- Remontez l'avant des boîtes de jonction en place pour qu'elle soit bien fixée avec les vis.



Avertissement

Lorsque la lampe est remplacée, le compteur horaire de l'unité doit être réinitialisé. Pour cela, reconnectez le système avec l'interrupteur sur l'avant du tableau de commande et procédez comme suit :



Pour accéder à l'écran « **Configuration** », appuyez sur le bouton « **Diagnostics** ». Le système accède aux écrans de diagnostic du ballast électronique et du circuit d'alimentation de la lampe UV (voir Section 6.6).



Appuyez sur la touche de navigation en haut à droite de l'écran pour accéder à l'écran « **Reset Lampe** ». Dans le cas de système à lampes multiples (MP 450), l'écran correspondant à la lampe remplacée doit être sélectionné. Effectuez cette procédure sur tous les écrans si vous devez remplacer toutes les lampes de l'unité.

Cet écran permet de réinitialiser le compteur d'heures de service et le nombre d'allumages de la lampe chaque fois qu'elle est remplacée par une nouvelle.



Pour cela, cliquez sur le code d'activation et à l'aide du clavier déroulant, saisissez le code « **1234** ».



Appuyez sur la touche « **Reset** » pour valider.

Le minuteur affiche maintenant « **0** ».

7.3. Nettoyage chimique / remplacement de la gaine en quartz

FRÉQUENCE :

- Vous devez vérifier au moins **UNE FOIS PAR AN** que la surface de la gaine en quartz n'est pas salie par des dépôts (limon, fer, manganèse, matières organiques, etc.).
- Remplacez au besoin la gaine de quartz **CHAQUE FOIS QUE VOUS REMPLACEZ LA LAMPE**.

PROCÉDURE :

EXTRACTION DE LA GAINE EN QUARTZ

- 1.- Suivez la procédure décrite dans la Section 7.1 pour retirer la lampe située à l'intérieur de la gaine en quartz.
- 2.- Pendant le processus de nettoyage de la gaine, assurez-vous que la lampe a été placée en lieu sûr pour éviter que la surface ne soit sale ou cassée.

Avertissement



Manipulez toujours la lampe UV avec des gants ; les graisses et autres impuretés déposées sur la surface peuvent réduire sa performance et durabilité. Si vous devez nettoyer la surface de la lampe, utilisez un chiffon doux imbibé d'alcool.

- 3.- En utilisant l'arrière du cache en Téflon, enfoncez avec précaution la gaine en quartz à partir d'une extrémité et faites-la glisser doucement jusqu'à ce que le joint torique de ce côté soit libéré.
- 4.- Retirez complètement la lampe en la tenant par l'une des extrémités en céramique pour ne pas la déformer.
- 5.- Retirez avec précaution le joint torique de ce côté de la gaine en quartz.

6.-Si la gaine est totalement transparente, remplacez-la dans son logement comme décrit ci-après.

7.- S'il est nécessaire de nettoyer la gaine en quartz, faites-le toujours avec un chiffon doux imbibé de vinaigre ou d'acide dilué.

INSERTION DE LA GAINE EN QUARTZ

8.- À l'aide du levier déplacez le mécanisme de nettoyage de la gaine vers la droite du réacteur (vue du côté des capteurs), où la gaine est introduite.

9.- Insérez la gaine dans le premier disque du dispositif de nettoyage jusqu'à ce qu'elle atteigne le second disque de nettoyage.

10.- Déplacez le mécanisme à l'autre extrémité du réacteur et poussez avec une main la gaine, en la guidant à tout moment avec un doigt de l'autre main de manière à ce qu'elle entre dans le second disque de nettoyage et en évitant toute déformation.

11.- Centrez la gaine de manière à ce qu'elle sorte de manière uniforme des deux côtés de son logement.

12.- Humidifiez légèrement les joints toriques et placez-les dans leur position d'origine, en les introduisant légèrement des deux côtés de la gaine.

13.- Placez les embouts sur les logements correspondants, puis appuyez doucement avec la paume sur l'embout jusqu'à ce que les joints toriques soient introduits dans la gaine. Dans cette position, la gaine ressort de quelques millimètres au-dessus du joint torique.

14.- Remontez la lampe comme indiqué dans la Section 6.1.

7.4. Remplacement des joints en contact avec la gaine en quartz

FRÉQUENCE :

- **Remplacez les joints en contact avec la gaine en quartz CHAQUE FOIS QUE VOUS REMPLACEZ LA LAMPE.**

PROCÉDURE :

Pour remplacer les joints de la gaine en quartz, procédez comme indiqué dans la Section 7.2.

7.5. Nettoyage du capteur UV-C

FRÉQUENCE :

- **Vous devez vérifier au moins UNE FOIS PAR AN que la surface de la fenêtre de quartz du capteur UV-C n'est pas palie par des dépôts quelconques (limon, fer, manganèse, matières organiques, etc.).**
- **Remplacez au besoin le capteur UV-C CHAQUE FOIS QUE VOUS REMPLACEZ LA LAMPE.**

PROCÉDURE :

1.- Débranchez le câble du capteur UVC-SE.

2.- Dévissez et retirez le capteur UVC-SE de son logement dans le corps du réacteur UV.

3.-Si la fenêtre de quartz du capteur est totalement transparente, remplacez-la dans son logement comme décrit ci-après. S'il est nécessaire de nettoyer la fenêtre de quartz, faites-le toujours avec un chiffon doux imbibé d'alcool.

4.- Placez et vissez le capteur UVC-SE sur son logement dans le corps du réacteur UV.

5.- Rebranchez le câble du capteur.

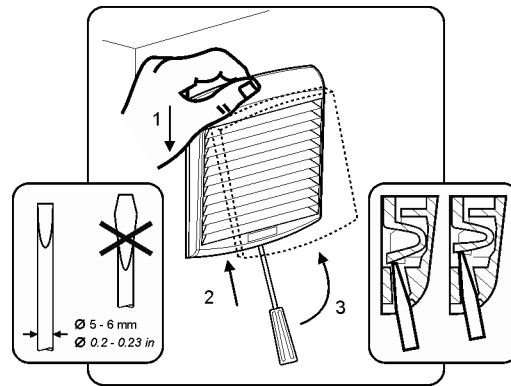
7.6. Vérification du tableau de commande

FRÉQUENCE :

- **Vous devez vérifier le ventilateur du tableau de commande et nettoyer les grilles et filtres au moins UNE FOIS PAR AN, ou en cas d'encrassement observable.**

PROCÉDURE :

1.- Retirez les grilles de protection avec un tournevis, comme illustré dans la figure ci-après.



2.- Nettoyez et remplacez au besoin les filtres en fibres à l'intérieur.

3.- Remettez la grille en place.

7.7. Contrôle de l'isolement et des connexions du système

FRÉQUENCE :

- Vous devez vérifier le disjoncteur situé à l'intérieur du tableau de commande au moins **CHAQUE FOIS QUE VOUS REMPLACEZ LA LAMPE UV**, en appuyant sur le bouton **TEST** situé à l'avant.
- Vous devez vérifier l'état de toutes les connexions, notamment l'alimentation de la lampe et la mise à la terre du tableau de commande et du réacteur UV, **CHAQUE FOIS QUE VOUS REMPLACEZ LA LAMPE.**

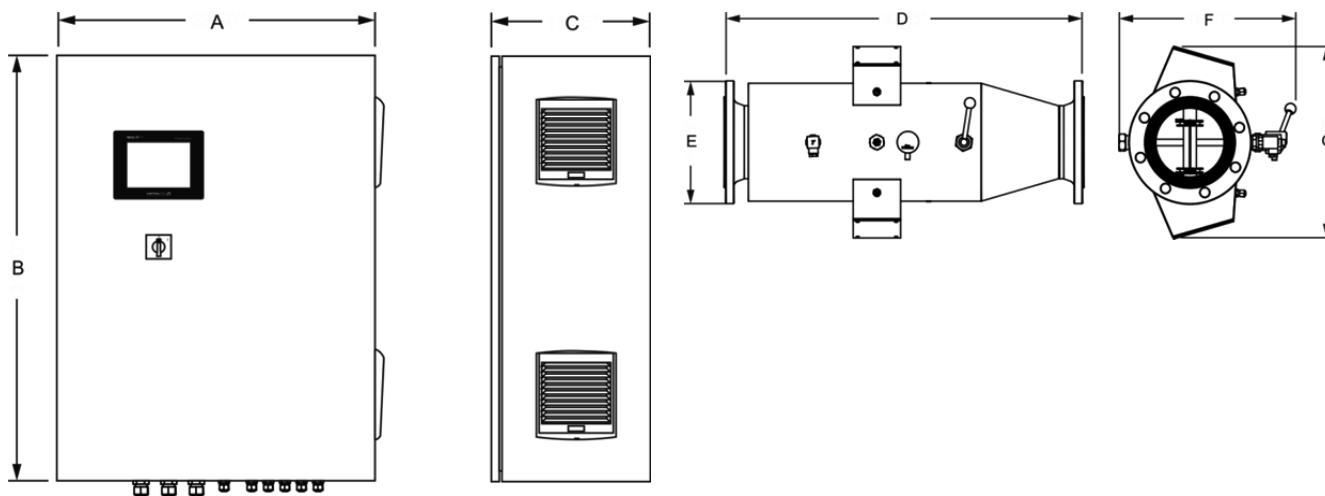
8. CARACTÉRISTIQUES TECHNIQUES :

	UV MP 50 52200	UV MP 80 52201	UV MP 140 52202	UV MP 300 52203	UV MP 450 52204
Débit (à une réduction 3 log)	220 gpm 50 m ³ /h	350 gpm 80 m ³ /h	615 gpm 140 m ³ /h	1,320 gpm 300 m ³ /h	1,975 gpm 450 m ³ /h
Matériau					
Tableau de commande	Métallique, revêtement en résine polyester-époxy RAL 7035 / IP-54				
Réacteur UV	AISI-316L				
Dimensions (pouces/mm.)					
Tableau de commande	31.5" x 23.6" x 11.8" 800 x 600 x 300 mm.				
Réacteur UV (long./diam.)	33.0" / 10.7" 838 / 273 mm.			40.0" / 14.0" 1,017 / 356 mm.	44.8" / 14.0" 1,138 / 356 mm.
Brides Entrée/Sortie	DN 150			DN 250	
Pression nominale max.	50 psi / 3.45 bar				
Perte de charge	0.02 psi @ 220 gpm 0.02 psi @ 50 m ³ /h	0.05 psi @ 350 gpm 0.05 psi @ 80 m ³ /h	0.13 psi @ 615 gpm 0.13 psi @ 140 m ³ /h	0.18 psi @ 1,320 gpm 0.18 psi @ 300 m ³ /h	0.44 psi @ 1,975 gpm 0.44 psi @ 450 m ³ /h
Tension	240 VCA / 50-60 Hz (monophasé)				415/380/240/220 VAC 50-60 Hz. (triphase)
Puissance nominale (W)	700	1000	3000	3000	6000
Ballasts électroniques	1	1	1	1	2
Puissance UV-C (W)	105	150	450	450	900
Lampes	1	1	1	1	2
Durée de vie (heures)	8 000 heures				
Refroidissement	Tableau : ventilateur + filtre Ballast : dissipateur thermique en aluminium à refroidissement auto.				
Moniteur de contrôle Rayonnement Débit Température Lampe	Écran tactile couleurs 3,4" TFT (320x240 pixels) 6 langues Capteur UV-C Capteur de débit (inox) Capteur de température (PT-100, inox). Puissance : courant (A), tension (V), consommation (W)				
Compteur horaire	●	●	●	●	●
Journal des alarmes	●	●	●	●	●
Régulation de puissance	●	●	●	●	●
Contrôle de rallumage	●	●	●	●	●
Entrées de contrôle	Deux (2) contacts sans potentiel: débit et arrêt à distance				

Dimensions

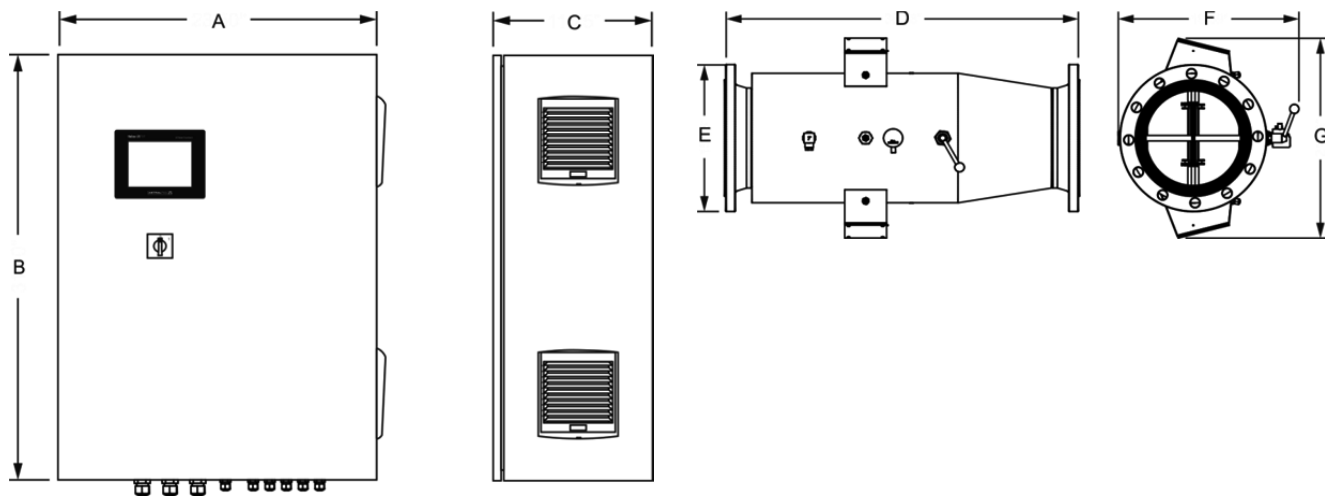
TABEAU DE COMMANDE

Modèles MP 50 ... MP 140



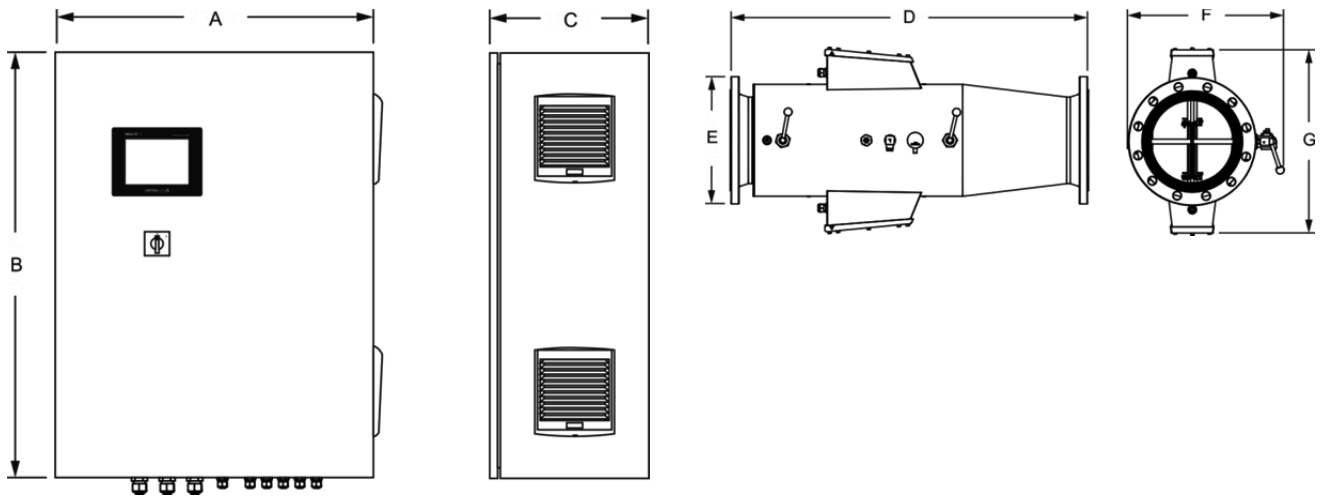
	A		B		C		D		E		F		G	
pouce / mm	23,6	600	31,5	800	11,8	300	44,8	838	11,2	284	16,3	414	18,7	476

Modèle MP 300



	A		B		C		D		E		F		G	
pouce / mm	23,6	600	31,5	800	11,8	300	44,8	1017	15,9	404	19,5	496	17,6	446

Modèle MP 450



	A		B		C		D		E		F		G	
pouce / mm	23,6	600	31,5	800	11,8	300	44,8	1138	15,9	404	19,6	498	22,8	580

9. CONDITIONS DE GARANTIE : _____

9.1. ASPECTS GÉNÉRAUX

- 9.1.1. Selon les présentes dispositions, le vendeur garantit que le produit sous garantie est en parfait état au moment de la livraison.
- 9.1.2. La période de garantie totale est de 2 ANS.
- 9.1.3. La période de garantie est calculée à compter de la livraison à l'acheteur.
- 9.1.4. Si le produit est défectueux et le vendeur en est informé pendant la période de garantie, il doit réparer ou remplacer au choix le produit à ses propres frais à moins que cela ne soit impossible ou disproportionné.
- 9.1.5. Lorsque le produit ne peut pas être réparé ou remplacé, l'acheteur peut demander une réduction de prix proportionnelle ou si le défaut est suffisamment important, la résiliation du contrat de vente.
- 9.1.6. Les pièces remplacées ou réparées conformément à cette garantie ne doivent pas prolonger la période de garantie du produit d'origine mais doivent avoir leur propre garantie.
- 9.1.7. Pour que cette garantie prenne effet, l'acheteur doit valider la date d'achat et la livraison du produit.
- 9.1.8. Si l'acheteur observe un défaut du produit six mois après sa livraison, il doit valider l'original et l'existence du défaut supposé.
- 9.1.9. Ce certificat de garantie ne limite pas ou ne préjuge pas les droits du consommateur conformément à la législation nationale.

9.2. CONDITIONS SPÉCIFIQUES

- 9.2.1. Pour que cette garantie prenne effet, l'acheteur doit observer strictement les instructions du fabricant incluses dans la documentation fournie avec le produit et qui s'applique à chaque gamme de produit et modèle.
- 9.2.2. Si un planning de remplacement, maintenance ou nettoyage de certaines pièces ou de certains composants du produit est défini, la garantie est valable uniquement si ledit planning a été correctement observé.

9.3. LIMITES

- 9.3.1. Cette garantie s'applique uniquement aux ventes aux consommateurs le consommateur étant défini comme la personne qui achète le produit à d'autres fins que professionnelles.
- 9.3.2. Aucune garantie ne s'applique à l'usure normale du produit, des pièces, des composants et/ou des biens fongibles ou consommables.
- 9.3.3. La garantie ne couvre pas les cas dans lesquels le produit : (i) a été manipulé de manière incorrecte ; (ii) a été inspecté, réparé, entretenu ou manipulé par une personne non autorisée ; (iii) a été réparé ou entretenu avec des pièces non d'origine, ou (iv) a été mal installé ou mis en marche.
- 9.3.4. Si un produit défectueux est le résultat d'une installation ou d'un démarrage incorrect, cette garantie s'applique uniquement lorsque l'installation ou le démarrage font partie du contrat de vente du produit et a été effectué par le vendeur ou sous la responsabilité du vendeur.
- 9.3.5. Dommages ou défauts dus à l'un des motifs suivants :
 - Défaillance de la lampe au bout de 100 heures de fonctionnement normal vérifiable.
 - Utilisation de produits chimiques explicitement non autorisés.
 - Rupture de la gaine en quartz.
 - Fonctionnement à des pressions de service supérieures à 50 psi (3.45 bar).
 - Tension de service ou câblage incorrect.
 - Exposition à des environnements corrosifs et/ou températures inférieures à 2°C ou supérieures à 40°C.

IMPORTANTE: El manual de instrucciones que usted tiene en sus manos, contiene información fundamental acerca de las medidas de seguridad a adoptar a la hora de la instalación y la puesta en servicio. Por ello, es imprescindible que tanto el instalador como el usuario lean las instrucciones antes de pasar al montaje y puesta en marcha. Conserve este manual para futuras consultas acerca del funcionamiento de este aparato.



Tratamiento de equipos eléctricos y electrónicos después de su vida útil (sólo aplicable en la U.E.)

Todo producto marcado con este símbolo indica que no puede eliminarse junto con el resto de residuos domésticos una vez finalizada su vida útil. Es responsabilidad del usuario eliminar este tipo de residuo depositándolos en un punto adecuado para el reciclado selectivo de residuos eléctricos y electrónicos. El adecuado tratamiento y reciclado de estos residuos contribuye de forma esencial a la conservación del Medio Ambiente y la salud de los usuarios. Para obtener una información más precisa sobre los puntos de recogida de este tipo de residuos, póngase en contacto con las autoridades locales.

Para conseguir un óptimo rendimiento de los Sistemas de Tratamiento HELIOX UV MP es conveniente seguir las instrucciones que se indican a continuación:

1. COMPRUEBE EL CONTENIDO DEL EMBALAJE:

En el interior de la caja encontrará los siguientes accesorios:

- Reactor UV.
- Sensor de caudal: SI5004 + cable EVC005 (5 m. /16.4 ft.) ⁽¹⁾.
- Sensor de temperatura: MBT5250 + cable MBTC-05 (5 m. /16.4 ft.) ⁽¹⁾; o TM 4411+ cable EVC005 (5 m. /16.4 ft.) ⁽¹⁾.
- Sensor de radiación: UVC-SE + cable EVC059 (5 m. /16.4 ft.) ⁽¹⁾
- Panel de control.
- Cables de alimentación lámpara LP-035 x2 (5 m. /16.4 ft.) ⁽¹⁾ (en modelos MP 50 ... MP 300).
- Cables de alimentación lámpara LP-045 x2 (5 m. /16.4 ft.) ⁽¹⁾ (en modelo MP 450).
- Manual de instrucciones.

⁽¹⁾ Longitudes de cable personalizadas pueden ser suministradas bajo pedido.

2. CARACTERISTICAS GENERALES:

Los efectos germicidas de la luz ultravioleta (UV) con longitudes de onda en torno a 260 nm son bien conocidos desde hace más de 100 años. Su utilización ha ido incrementándose en los últimos años puesto que presenta una serie de ventajas respecto a los sistemas de desinfección químicos, puesto que la luz UV prácticamente no altera la composición físico-química del agua, es muy efectiva contra cualquier tipo de microorganismo (algas, bacterias, virus, hongos, levaduras, etc.), minimizando además los riesgos derivados de la manipulación y dosificación de productos químicos potencialmente peligrosos. Por otra parte, el tratamiento UV minimiza los niveles de cloro combinado presentes en el agua, produciendo por tanto importantes ahorros de agua al disminuir el volumen y la frecuencia de las renovaciones de agua de la piscina.

El sistema de tratamiento HELIOX UV MP unido al mantenimiento de un cierto nivel de cloro en el agua de la piscina, garantizará su calidad sanitaria. El sistema de tratamiento HELIOX UV MP deberá funcionar cuando el sistema de recirculación de la piscina (bomba y filtro) estén operativos.

Los sistemas de tratamiento HELIOX UV MP han sido diseñados y fabricados con la más avanzada tecnología en el tratamiento UV del agua, garantizando de esta forma un funcionamiento prolongado y con un mantenimiento mínimo.

La arquitectura de control propuesta para los sistemas HELIOX UV MP presenta una serie de características que permiten los más altos niveles de fiabilidad, eficiencia energética y escalabilidad.

- Gracias a que los sistemas incorporan tanto un sensor de radiación como un transmisor de caudal, ambos calibrados, estos permiten el ajuste en continuo de la potencia de la lámpara optimizando así su consumo energético y la duración de la misma. Al tratar de sensores calibrados no es necesaria ninguna actuación del usuario sobre los mismos, cosa que no ocurre con la actual gama.
- A diferencia de los equipos de la gama anterior, los sistemas HELIOX UV MP manejan dos parámetros a la hora de fijar la potencia de la lámpara: radiación medida por el sensor y caudal. De este modo, el sistema establece una radiación nominal para cada modelo, la cual viene determinada por el caudal máximo a tratar para garantizar una dosis de 60 mJ/cm². Si el caudal a tratar es inferior al nominal, igualmente lo será la radiación necesaria, por lo que el sistema disminuirá su potencia, optimizando así su consumo eléctrico e incrementando la duración de la lámpara. Al igual que los equipos actuales, si la radiación disminuye debido a pérdidas de eficiencia de la lámpara, turbidez, etc., el sistema reajustará la potencia de la lámpara.
- El sistema de alimentación de la lámpara se basa en un balasto electrónico lo cual permite su funcionamiento en continuo con altos niveles de eficiencia energética (mayor del 95%).

3. CERTIFICACIONES:

La siguiente gama de sistemas HELIOX UV MP están certificados para uso final en piscinas:

Productos Certificados:

Versiones con wiper manual: **MP-50, MP-80, MP-140, MP-300, MP450**
Versiones con wiper automático: **MP50W, MP80W, MP140W, MP300W, MP450W**

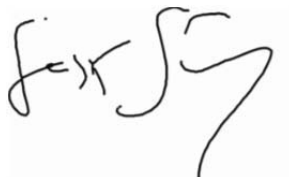
Los productos mencionados con anterioridad son conformes a las siguientes Directivas comunitarias y Estándares:

- **UL**
 - UL 1081, Swimming Pool Pumps, Filters and Chlorinators, Sixth Edition dated January 29, 2008 (including revisions through November 29, 2011).
 - UL 1563, Electric Spas, Equipment Assemblies, and Associated Equipment, Sixth Edition dated July 16, 2009 (including revisions through August 25, 2011).
 - CAN/CSA C22.2 No. 108-01, Fourth Edition, Update No.2 dated March, 2003.
 - CAN/CSA C22.2 No. 218.1-M89, First Edition, Update No.4 dated March 2010 (Reaffirmed 2011).

- **NSF**
 - Certified to NSF-50 Standard.
 - This unit has demonstrated an ability to provide three log kill or inactivation of *Enterococcus faecium* [ATCC #6569] and *Pseudomonas aeruginosa* [ATCC #27113].
 - This unit has not demonstrated an ability to provide three log kill or inactivation of Cryptosporidium.
 - This product is designed for supplementary disinfection and is intended for use with appropriate residual levels of EPA registered disinfecting chemicals. Specific residual levels of EPA registered disinfecting chemicals may be required by the regulatory agency having authority.

- **CE**
 - Directiva de Baja Tensión 2006/95/EC.
 - Directiva de Compatibilidad Electromagnética 2004/108/EC.
 - Directiva ROHS 2011/65/EC.

I.D. ELECTROQUIMICA, S.L.
Pol. Ind. Atalayas, c./ Dracma R-19
E-03114 Alicante
España



Gaspar Sánchez
Gerente

INSTRUCCIONES DE SEGURIDAD IMPORTANTES

ADVERTENCIA: al instalar y utilizar equipos eléctricos, deben tomarse siempre precauciones de seguridad básicas, incluyendo las siguientes:

LEA Y SIGA TODAS LAS INSTRUCCIONES

Esta unidad dispone siempre de un borne de color verde-amarillo marcado \oplus (*) apto para cable rígido de cobre, de sección mínima no. 8 AWG para Estados Unidos (UL) y no. 6 AWG para Canadá (CSA), que permite la conexión a esta unidad de cualquier equipo metálico, envolvente metálica de equipos eléctricos, tubería de agua o conducto metálico situados a una distancia de 5 pies (1,5 m.) de la unidad.

Esta unidad dispone de dos tetones roscados de puesta a tierra, marcados \oplus (*) y situados en las bridas finales de la cámara de UV, adecuados para cable de sección no. 8 AWG (Estados Unidos) y no. 6 AWG (Canadá), asegurándose la conexión a la cámara de UV mediante una arandela estriada y una tuerca.

(*) IEC 60417, símbolo 5019.

Este producto debe conectarse a un circuito protegido por un interruptor diferencial.

Para uso final en piscina. No utilizar este equipo para un uso distinto para el cual ha sido diseñado.

El montaje o manipulación deben ser efectuados por personal debidamente cualificado.

Se deben respetar las normas vigentes para la prevención de accidentes, así como para las instalaciones eléctricas.

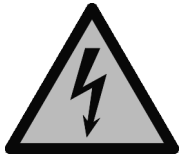
El fabricante en ningún caso se responsabiliza del montaje, instalación o puesta en funcionamiento, así como de cualquier manipulación o incorporación de componentes que no se hayan llevado a cabo en sus instalaciones.

Asegúrese de realizar conexiones eléctricas firmes para evitar falsos contactos, lo cual podría ocasionar el recalentamiento de los mismos.

Instalar el panel de control de forma que no queden obstruidas sus rejillas de ventilación.



Para uso en interiores exclusivamente. Esta unidad no está destinada para uso en exteriores.



Antes de proceder a la instalación o sustitución de cualquier componente del sistema asegúrese que éste ha quedado previamente desconectado de la tensión de alimentación, y que no hay flujo de agua a su través. Utilice exclusivamente repuestos suministrados por AstralPool.



No desmontar nunca la tuerca de cierre de la vaina de cuarzo cuando haya recirculación de agua por el interior del reactor ya que ésta podría ser expulsada y producir fugas de agua y otros daños.



La luz UV generada por este equipo puede producir graves daños si los ojos o la piel son expuestos directamente a la lámpara. Nunca conecte el sistema cuando la lámpara se encuentre fuera del reactor.



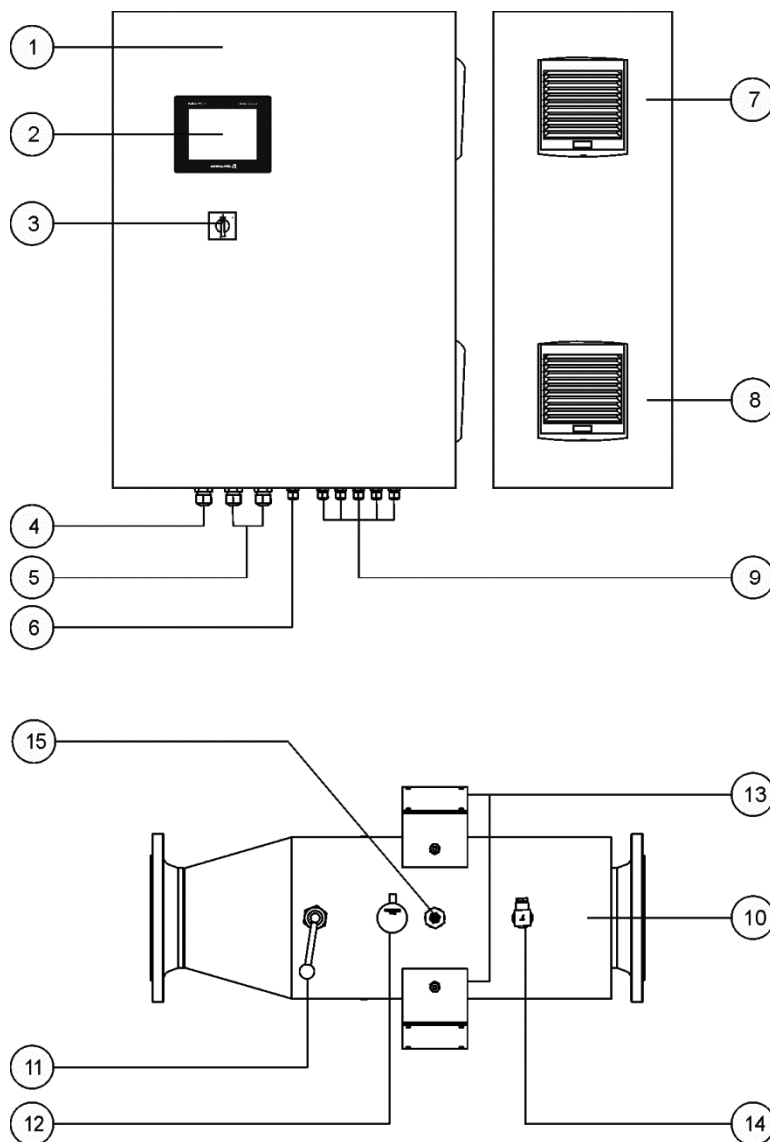
No manipular la lámpara de UV hasta que esté totalmente fría.



Manipular siempre la lámpara de UV con guantes ya que la grasa y otras impurezas depositadas sobre su superficie podrían disminuir su rendimiento y duración. En caso de tener que limpiar la superficie de lámpara utilizar un paño suave impregnado con alcohol.

CONSERVE ESTE MANUAL DE INSTRUCCIONES

4. DESCRIPCION DEL SISTEMA



- | | |
|---------------------------------------|--------------------------------------|
| 1.- Panel de control | 9.- Entrada cables sensores |
| 2.- Pantalla táctil | 10.- Reactor UV |
| 3.- Interruptor general | 11.- Mecanismo limpieza vaina cuarzo |
| 4.- Entrada cable de alimentación | 12.- Sensor de caudal |
| 5.- Salida cable alimentación lámpara | 13.- Cajas de conexión lámpara UV |
| 6.- Salida cable tierra reactor UV | 14.- Sensor de temperatura |
| 7.- Rejilla/filtro ventilación | |
| 8.- Rejilla/filtro ventilador | |

5. INSTALACION:

5.1. Consideraciones generales

- Para garantizar su buen estado de conservación, debe procurarse instalar siempre el equipo en un lugar seco y bien ventilado de la sala de máquinas. El grado de estanqueidad del sistema HELIOX UV MP no permite su instalación a la intemperie.
- La temperatura en la zona de instalación debe estar entre 35°F (2°C) y 107°F (42°C), y la humedad relativa no debe superar el 80%.
- Instale la unidad lo más lejos posible de cualquier almacenamiento de productos químicos y fuentes de humedad.

Atención



De manera especial, evite la formación de ambientes corrosivos debidos a las soluciones minoradoras del pH (concretamente las formuladas con ácido clorhídrico "HCl"). No instale el sistema HELIOX UV MP cerca de los lugares de almacenamiento de estos productos. Para este fin, recomendamos encarecidamente el uso de productos basados en bisulfato sódico o ácido sulfúrico diluido.

5.2. Instalación del reactor UV

El reactor del sistema HELIOX UV MP puede instalarse tanto de forma HORIZONTAL como VERTICAL, tal como se muestra en el diagrama de instalación recomendada (Figs. 1a/b).

Atención



Si el reactor UV se instala horizontalmente, la lámpara debe permanecer siempre horizontal al suelo, ya que si se instala de forma que la lámpara quede vertical, en el caso de caudal bajo, puede formarse una cámara de aire en la parte superior, quedando expuesto al aire parte del bulbo. Dada la alta temperatura de trabajo de lámparas de media presión, es fácilmente comprensible que esta situación debe evitarse siempre.

Si el reactor UV se instala horizontalmente, los sensores deben permanecer en la parte superior.

Respetar siempre las indicaciones de dirección flujo presentes en la cámara de UV.

El reactor de los sistemas UV HELIOX UV MP está fabricado de acero inoxidable AISI 316 L en cuyo interior se aloja la lámpara UV. El sistema HELIOX UV MP debería instalarse **siempre detrás del sistema de filtración, y antes de cualquier otro dispositivo en la instalación** como bombas de calor, sistemas de control, dosificadores, sistemas de electrolisis de sal, etc.

La instalación del mismo debería permitir el fácil acceso del usuario a la lámpara UV. El emplazamiento del sistema HELIOX UV MP debe disponer de un espacio útil que permita la extracción completa de la lámpara UV de su vaina (aproximadamente un metro en los lados donde se encuentran las cajas de conexión de la lámpara UV).

El sistema HELIOX UV MP debe ser instalado en un lugar de la tubería que pueda ser aislado del resto de la instalación mediante dos válvulas, de tal modo que se puedan efectuar las tareas de mantenimiento del mismo sin necesidad de vaciar total o parcialmente la piscina. En caso de que el sistema se instale en bypass (opción recomendada), se deberá introducir una válvula que regule el caudal a través del mismo.

Atención



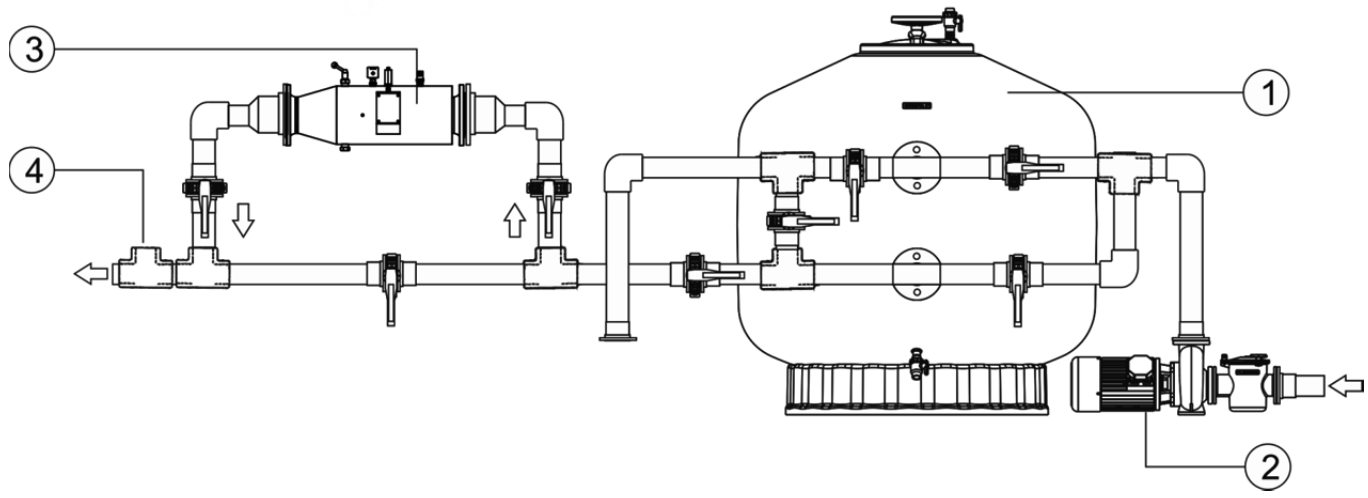
Antes de proceder a la instalación o sustitución de cualquier componente del sistema asegúrese que éste ha quedado previamente desconectado de la tensión de alimentación, y que no hay flujo de agua a su través. Utilice exclusivamente repuestos suministrados por AstralPool.



Esta unidad dispone de dos tetones roscados de puesta a tierra, marcados Ⓧ (*) y situados en las bridas finales de la cámara de UV, adecuados para cable de sección no. 8 AWG (Estados Unidos) y no. 6 AWG (Canadá), asegurándose la conexión a la cámara de UV mediante una arandela estriada y una tuerca.

Leyenda

1. Filtro.
2. Bomba.
3. Reactor UV.
4. Otros equipos (bombas dosificadoras, controladores, bombas de calor, etc.).



IMPORTANTE

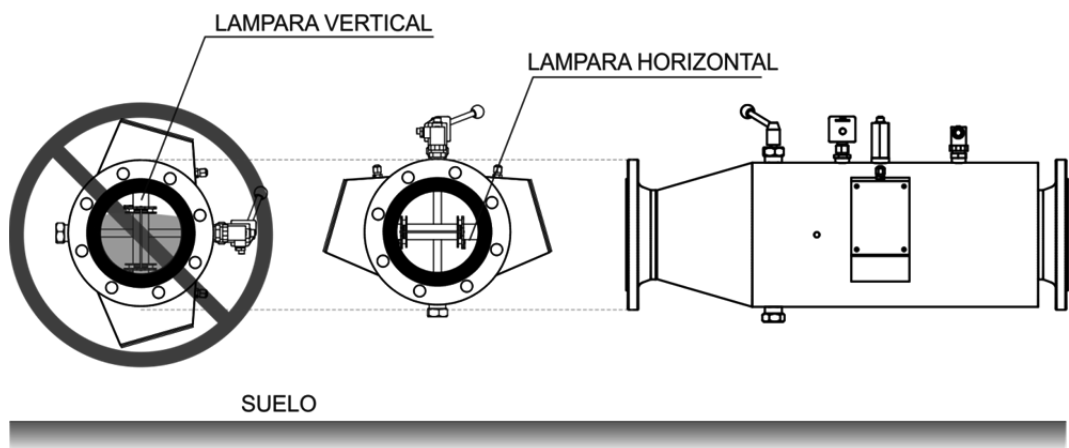


Fig.1a. Sistemas HELIOX UV MP. Diagrama de instalación recomendada (HORIZONTAL).

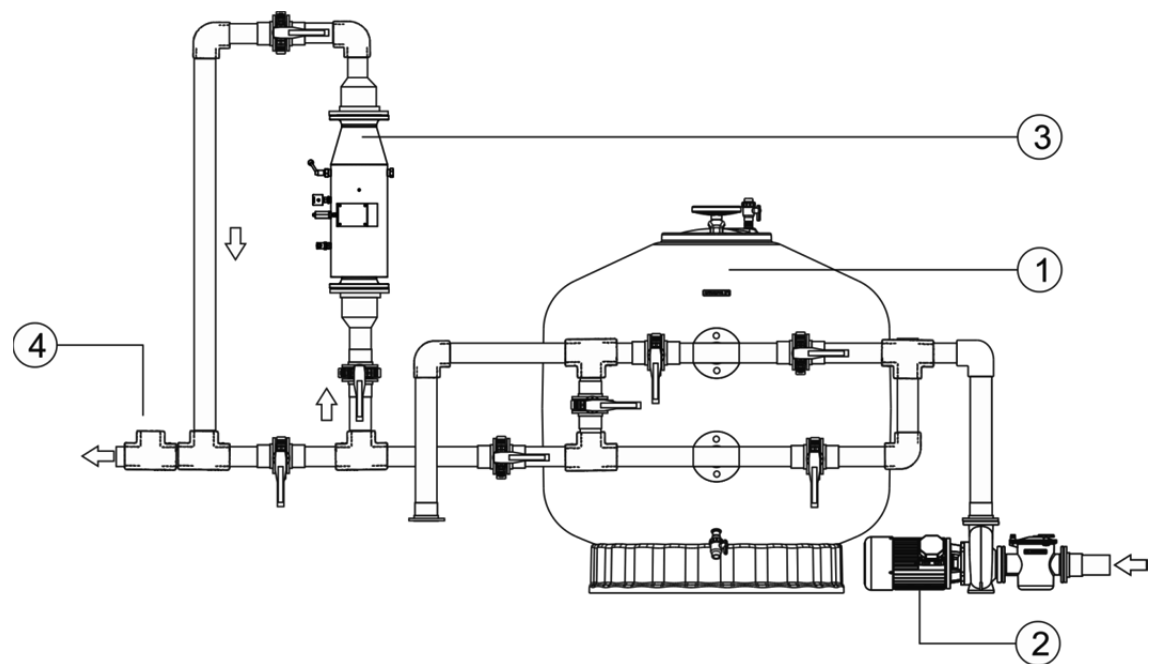


Fig.1b. Sistemas HELIOX UV MP. Diagrama de instalación recomendada (VERTICAL).

5.3. Instalación del cuadro de control

Instalar siempre el PANEL DE CONTROL del sistema HELIOX UV MP de forma VERTICAL y sobre una superficie (pared) rígida, de forma que la pantalla táctil situada en el frontal del panel quede a la altura de los ojos.

La conexión del sistema HELIOX UV MP a la red eléctrica debe efectuarse en el cuadro de maniobra de la depuradora, **de forma que la bomba y el sistema de tratamiento UV se conecten de forma simultánea.**

Recuerde



El montaje o manipulación deben ser efectuados por personal debidamente cualificado.

Se deben respetar las normas vigentes para la prevención de accidentes, así como para las instalaciones eléctricas.

No intente alterar el panel de control para operar a otro voltaje distinto del que aparece en la etiqueta situada en el lateral de la unidad.

Tanto la alimentación del panel de control del sistema HELIOX UV MP, como la interconexión de la lámpara UV y los sensores deberá efectuarse en el bornero situado en la base del interior del panel de control. La base del panel de control dispone de una serie prensa-estopas para la correcta fijación de los cables de alimentación y de los sensores. en ningún caso debe modificarse la longitud ni la sección de los mismos, sin consultar previamente a su distribuidor AstralPool autorizado.

Atención



Use cables de cobre exclusivamente.

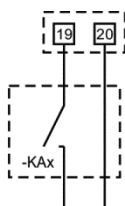
Conexión permanente.

PANEL DE CONTROL: DESCRIPCION DEL BORNERO DE CONEXIONES

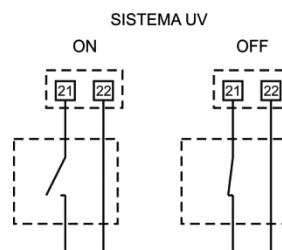
Modelos MP 50 ... MP 300

Borna	Entrada panel de control	Cable	Descripción cable
PE			TIERRA
1	ALIMENTACION 240 VAC / 50-60 Hz. / monofásica	(1)	FASE
2			NEUTRO
PE			PUESTA A TIERRA - REACTOR UV
3	SALIDA LAMPARA UV	LP-035/1	ROJO
4		LP-035/2	ROJO
5	SW-11	LP-035/1	NEGRO "1"
6	SW-12		NEGRO "2"
7	SW-21	LP-035/2	NEGRO "1"
8	SW-22		NEGRO "2"
9	ENTRADA SENSOR DE FLUJO SI5004	EVC-005	MARRON
10			BLANCO
11			AZUL
12	ENTRADA SENSOR RADIACION UVC-SE	EVC059	BLANCO
13			MARRON
14			NEGRO
15			GRIS
16	ENTRADA SENSOR TEMPERATURA TM4411 / MBT5250	EVC-005 o MBTC-05	MARRON (or Azul)
17			BLANCO (or Verde)
18			AZUL (or Rojo)
19	ENTRADA SENSOR FLUJO	(3)	CONTACTO LIBRE DE POTENCIAL
20			
21	ENTRADA PARO REMOTO	(4)	CONTACTO LIBRE DE POTENCIAL
22			

- (1) No suministrado con la unidad.
- (2) No suministrado con la unidad. La puesta a tierra debe ser efectuada con un conductor rígido de cobre con una sección mínima No. 8 AWG (USA) / 6 AWG (Canada).
- (3) Entrada puenteada por defecto. Recomendamos encarecidamente enclavar el sistema UV con el contactor de la bomba de recirculación a través de uno de sus contactos auxiliares NO.
- (4) Lógica de la entrada



CONTACTOR BOMBA RECIRCULACION

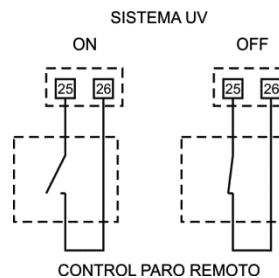
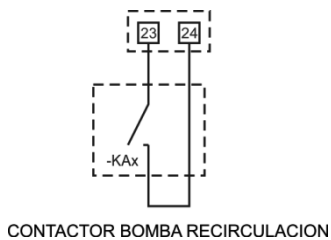


CONTROL PARO REMOTO

Modelo MP 450 (versión 220/240V)

Borna	Entrada panel de control	Cable	Descripción cable
PE	ALIMENTACION 240 VAC / 50-60 Hz. / trifásica	(1)	TIERRA
2			FASE (R)
3			FASE (S)
4			FASE (T)
PE	PUESTA A TIERRA - REACTOR UV	(2)	TIERRA
5	SALIDA LAMPARA UV 1	LP-045/1-1	ROJO
6		LP-045/2-1	ROJO
7	SALIDA LAMPARA UV 2	LP-045/1-2	BLANCO
8		LP-045/2-2	BLANCO
9	SW-11	LP-045-1	NEGRO "1"
10	SW-12		NEGRO "2"
11	SW-21	LP-045-2	NEGRO "1"
12	SW-22		NEGRO "2"
13	ENTRADA SENSOR DE FLUJO SI5004	EVC-005	MARRON
14			BLANCO
15			AZUL
16	ENTRADA SENSOR RADIACION UVC-SE	EVC059	BLANCO
17			MARRON
18			NEGRO
19			GRIS
20	ENTRADA SENSOR TEMPERATURA TM4411 / MBT5250	EVC-005 o MBTC-05	MARRON (or Azul)
21			BLANCO (or Verde)
22			AZUL (or Rojo)
23	ENTRADA SENSOR FLUJO	(3)	CONTACTO LIBRE DE POTENCIAL
24	ENTRADA PARO REMOTO	(4)	CONTACTO LIBRE DE POTENCIAL
25			
26			

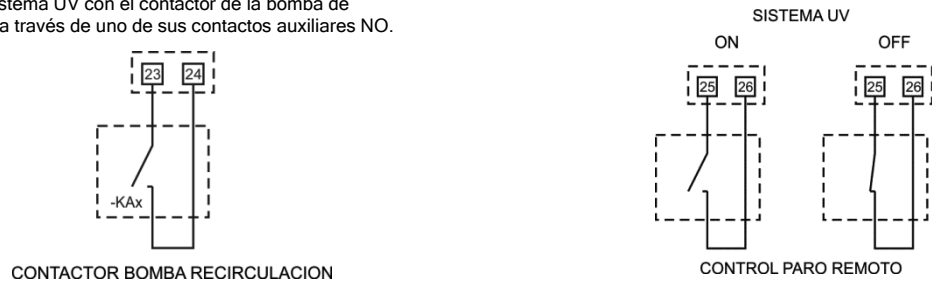
- (1) No suministrado con la unidad.
- (2) No suministrado con la unidad. La puesta a tierra debe ser efectuada con un conductor rígido de cobre con una sección mínima No. 8 AWG (USA) / 6 AWG (Canada).
- (3) Entrada puenteada por defecto. Recomendamos encarecidamente enclavar el sistema UV con el contactor de la bomba de recirculación a través de uno de sus contactos auxiliares NO.
- (4) Lógica de la entrada.



Modelo MP 450 (versión 380/415V)

Borna	Entrada panel de control	Cable	Descripción cable
PE	ALIMENTACION 415 VAC / 50-60 Hz. / trifásica	(1)	TIERRA
1			NEUTRO
2			FASE (R)
3			FASE (S)
4			FASE (T)
PE	PUESTA A TIERRA - REACTOR UV	(2)	TIERRA
5	SALIDA LAMPARA UV 1	LP-045/1-1	ROJO
6		LP-045/2-1	ROJO
7	SALIDA LAMPARA UV 2	LP-045/1-2	BLANCO
8		LP-045/2-2	BLANCO
9	SW-11	LP-045-1	NEGRO "1"
10	SW-12		NEGRO "2"
11	SW-21		NEGRO "1"
12	SW-22		NEGRO "2"
13	ENTRADA SENSOR DE FLUJO SI5004	EVC-005	MARRON
14			BLANCO
15			AZUL
16	ENTRADA SENSOR RADIACION UVC-SE	EVC059	BLANCO
17			MARRON
18			NEGRO
19			GRIS
20	ENTRADA SENSOR TEMPERATURA TM4411 / MBT5250	EVC-005 o MBTC-05	MARRON (or Azul)
21			BLANCO (or Verde)
22			AZUL (or Rojo)
23	ENTRADA SENSOR FLUJO	(3)	CONTACTO LIBRE DE POTENCIAL
24	ENTRADA PARO REMOTO	(4)	CONTACTO LIBRE DE POTENCIAL
25			
26			

- (1) No suministrado con la unidad.
 (2) No suministrado con la unidad. La puesta a tierra debe ser efectuada con un conductor rígido de cobre con una sección mínima No. 8 AWG (USA) / 6 AWG (Canada).
 (3) Entrada puenteada por defecto. Recomendamos encarecidamente enclavar el sistema UV con el contactor de la bomba de recirculación a través de uno de sus contactos auxiliares NO.
 (4) Lógica de la entrada.



(1) Sección de cable mínima recomendada

Modelo	240 V / monofásico	240 V / trifásico	415 V / trifásico
MP 50	3 x AWG 16 (3 x 1.50 mm ²)	N/A	N/A
MP 80	3 x AWG 16 (3 x 1.50 mm ²)	N/A	N/A
MP 140	3 x AWG 12 (3 x 4 mm ²)	N/A	N/A
MP 300	3 x AWG 12 (3 x 4 mm ²)	N/A	N/A
MP 450	N/A	3 x AWG 12 (3 x 4 mm ²)	5 x AWG 12 (3 x 4 mm ²)

5.4. Conexión de la lámpara UV

Conectar la(s) lámpara(s) UV instalada(s) en el interior del reactor UV a los bornes correspondientes del panel de control utilizando para ello los dos cables suministrados con la unidad. Para ello, abrir las cajas de conexión situadas a ambos lados del reactor UV, y conectar los cables a los bornes de conexión correspondientes.

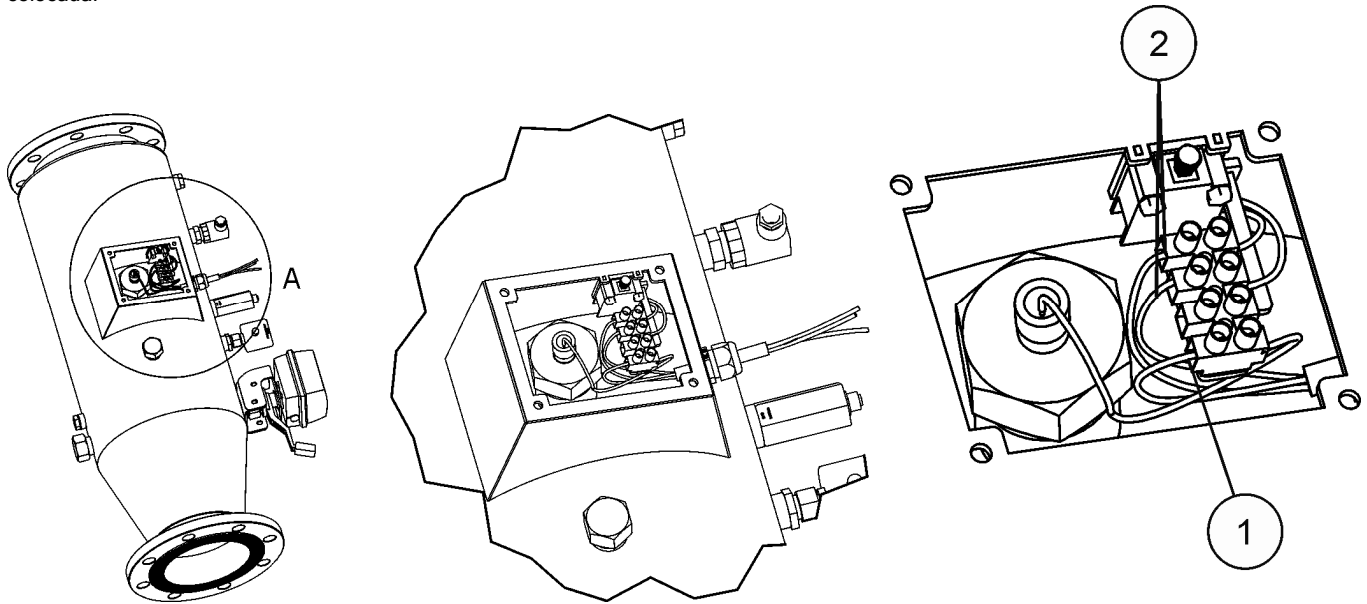
- 1.- Alimentación de la lámpara (rojo).
2. Micro-interruptor (cables negros, etiquetados "1" y "2").

Atención

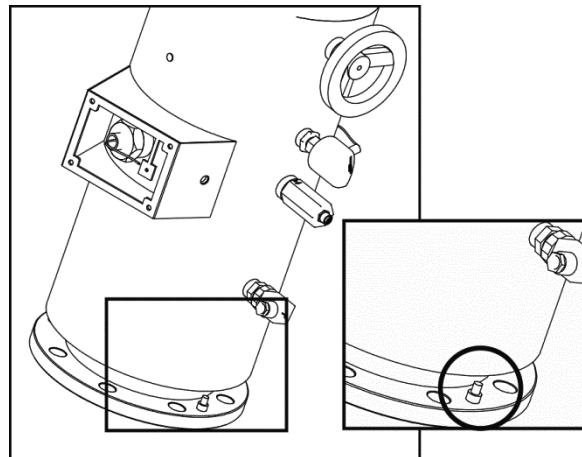


Esta unidad está equipada con un mecanismo automático para desconectar la alimentación de la lámpara UV cuando se retira la tapa.

Una vez efectuada la conexión, cerrar de nuevo las cajas de conexiones, asegurándose que la junta de estanqueidad queda debidamente colocada.



Esta unidad dispone de dos tetones roscados de puesta a tierra, marcados \oplus (*) y situados en las bridas finales de la cámara de UV, adecuados para cable de sección no. 8 AWG (Estados Unidos) y no. 6 AWG (Canadá), asegurándose la conexión a la cámara de UV mediante una arandela estriada y una tuerca.



Atención



Antes de proceder a la instalación o sustitución de cualquier componente del sistema asegúrese que éste ha quedado previamente desconectado de la tensión de alimentación, y que no hay flujo de agua a su través.

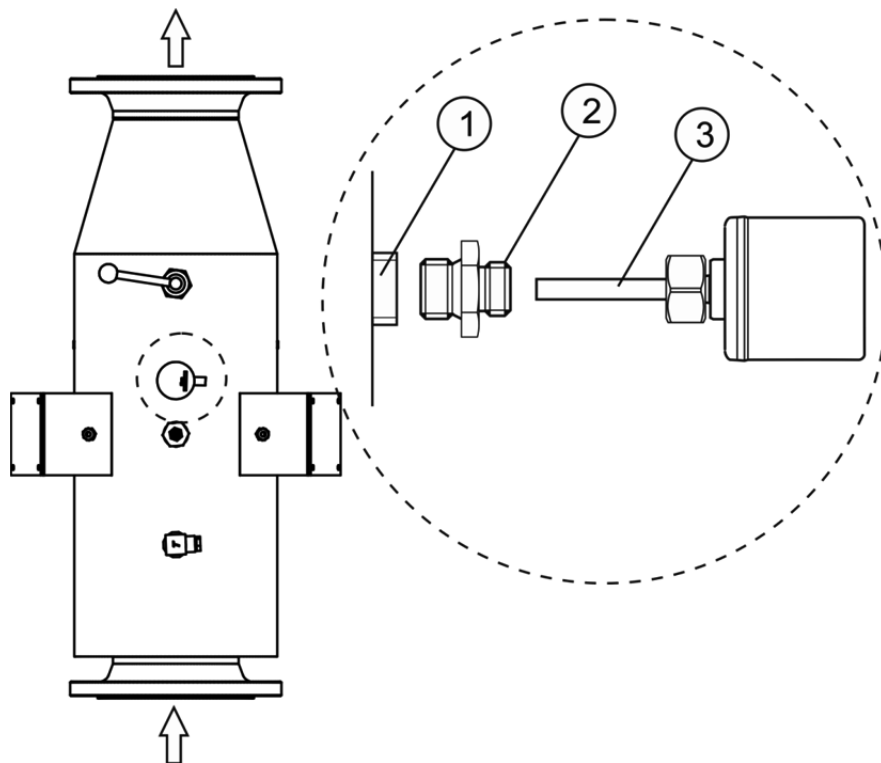


Asegúrese de realizar conexiones eléctricas firmes para evitar falsos contactos, lo cual podría ocasionar el recalentamiento de los mismos..

5.5. Instalación del sensor de flujo SI5004

El sensor de flujo SI5004 es un detector calorimétrico que convierte su respuesta en una señal analógica 4/20 mA. La señal de salida se corresponde con la curva característica del sensor. La barra de leds situada en su cabezal indica la velocidad de flujo relativa dentro del rango de detección. Cuando no hay flujo a su través, el led "0" parpadeará. El sensor SI5004 se suministra calibrado de fábrica (5...100 cm/s) en agua, por lo que no es necesario efectuar ningún proceso de recalibrado a la hora de su instalación. El tiempo de respuesta de sensor puede oscilar en el rango 1...10 segundos.

Enroscar el adaptador de rosca E40096 suministrado en la posición rotulada como "FLOW" en el cuerpo del reactor UV. A continuación enrosque el sensor de flujo SI5004 al adaptador.



1. Entrada detector flujo "FLOW" en el reactor UV.
2. Adaptador rosca M18-1/2" E40096.
3. Detector flujo SI5004.

Fig. 2

Conectar el sensor SI5004 mediante el cable EVC005 suministrado con el equipo, en los bornes correspondientes del bornero de conexión del cuadro de control. (ver págs.8-9).

5.6. Instalación del sensor de radiación UVC-SE

El sensor UVC-SE suministrado con el equipo HELIOX UV MP proporciona un método de medida robusto y estable en el tiempo para la medida de la radiación UV-C en sistemas de desinfección de agua. Su cuerpo de acero inoxidable le proporciona una gran estabilidad y resistencia a la corrosión. El sensor UVC-SE se suministra calibrado respecto a una referencia PTB. El circuito electrónico situado en su interior genera una señal que es transferida al panel de control del sistema.

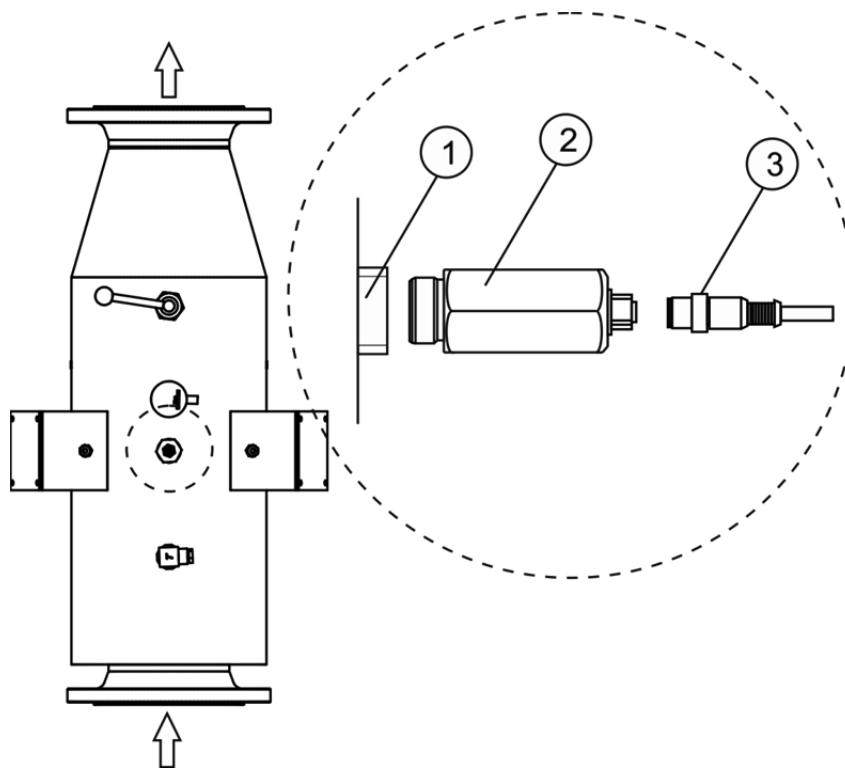
Atención



Manipular siempre el sensor UVC-SE con mucho cuidado, ya que la grasa y otras impurezas depositadas sobre la ventana de cuarzo podrían disminuir su fiabilidad y duración. En caso de tener que limpiar la superficie de la ventana de cuarzo utilizar un paño suave impregnado con alcohol.

Desenrosque el protector de plástico que protege la ventana del sensor. Guarde en un lugar seguro este protector para futuras tareas de mantenimiento.

Enrosque el sensor UVC-SE en la posición rotulada como "UV-C" en el cuerpo del reactor UV.



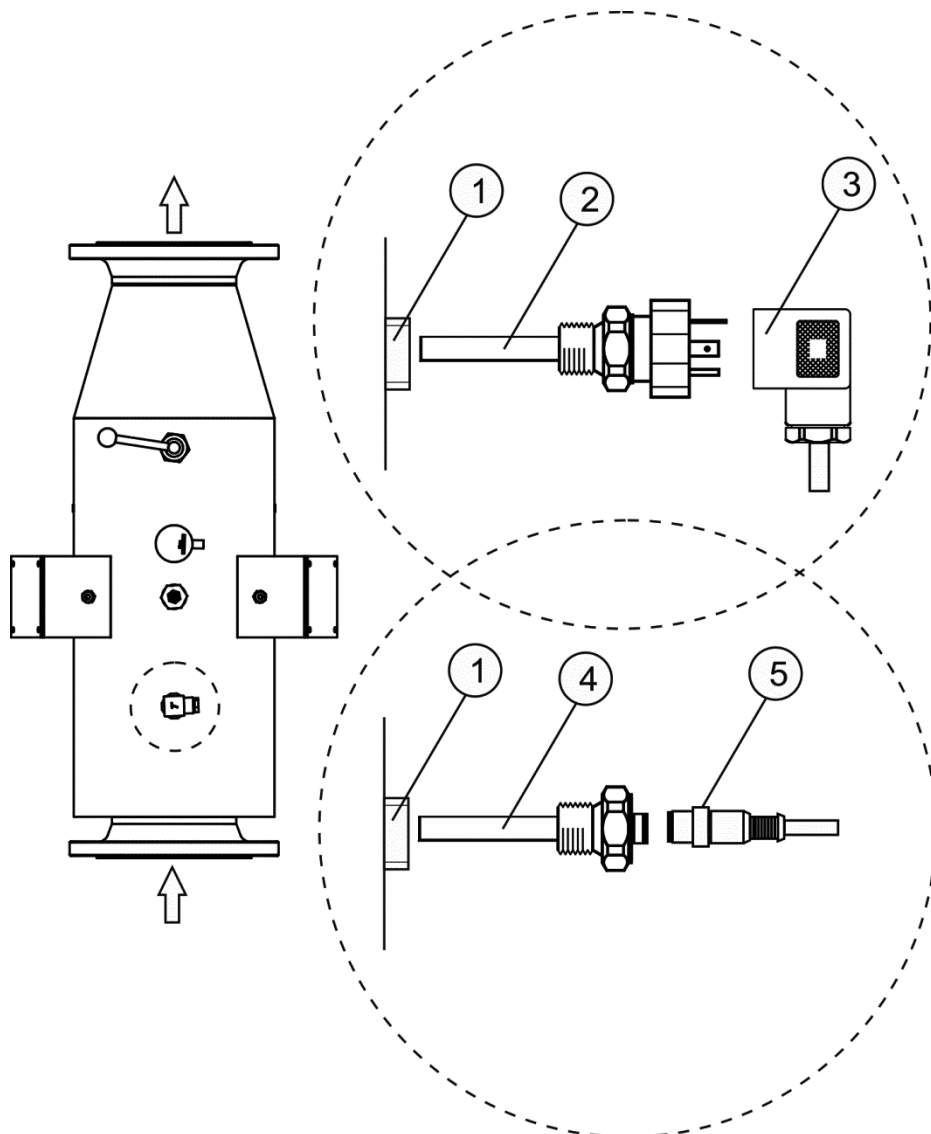
1. Entrada sensor radiación "UV-C" en el reactor UV.
2. Sensor radiación UVC-SE.
3. Cable UVC-05.

Fig. 3

Conecte el sensor UVC-SE mediante el cable UVC-05 suministrado con el equipo, en los bornes correspondientes del bornero de conexión del cuadro de control. (ver págs. 8-9).

5.7. Installation of the TM4411 / MBT5250 temperature sensor

La sonda de temperatura MBT5250 / TM4411 está constituida por un sensor Pt-100 que convierte su respuesta en una señal analógica 4/20 mA. El sensor MBT5250 / TM4411 se suministra calibrado de fábrica por lo que no es necesario efectuar ningún proceso de recalibrado a la hora de su instalación.



	Configuración para sensor MBT5250		Configuración para sensor TM4411
1.	Entrada sensor temperatura "Temp." en el reactor UV.	1.	Entrada sensor temperatura "Temp." en el reactor UV.
2.	Sensor temperatura MBT5250.	4.	Sensor temperatura TM4411.
3.	Cable MBTC-05.	5.	Cable EVC005.

Fig. 4

Enroscar el sensor MBT5250/TM4411 suministrado en la posición rotulada como "Temp." En el cuerpo del reactor UV.

Conectar el sensor MBT5250/TM4411 mediante al cable MBTC-05/EVC005 suministrado con la unidad en las bornes correspondientes del bornero de conexión del cuadro de control. (ver págs. 8-9)

5.8. Controles e indicadores

Los sistemas de tratamiento HELIOX UV MP están equipados con un panel de control táctil situado en el frontal de su panel de control, la cual incorpora un avanzado software que permite un control total, tanto sobre el proceso de tratamiento como sobre la alimentación de la lámpara UV. Igualmente en el frontal del panel se encuentra el interruptor general del sistema.

5.9. Puesta en marcha

1. Asegurarse que el filtro esté limpio al 100%, y que la piscina y la instalación no contenga cobre, hierro y algas.

2. El estado analítico del agua es muy importante para garantizar que el sistema HELIOX UV MP funciona con los máximos niveles de efectividad. Antes de poner en marcha el sistema compruebe que los siguientes parámetros se encuentran dentro de los niveles recomendados:

- Hierro: menos de 0.3 mg./l.
- Dureza: menos de 120 mg./l.
- Turbidez: menos de 1 NTU.
- Manganeseo: menos de 0.05 mg./l.
- TSS: menos de 10 mg./l.
- Transmitancia UV: mayor del 75%.

Si los niveles de alguno de estos parámetros exceden los valores recomendados se recomienda que se efectúe un pre-tratamiento adecuado para corregir los mismos.

3. Equilibrar el agua de la piscina. Esto nos permitirá obtener un tratamiento más eficiente con una menor concentración de cloro libre en el agua, así como un funcionamiento más prolongado de lámpara unido a una menor formación de depósitos calcáreos sobre la vaina de cuarzo del sistema.

- a) El pH debe ser de 7.2-7.6
- b) La alcalinidad total debe ser de 60-120 ppm.

4. Comprobar que todas las conexiones hidráulicas están correctamente efectuadas y que no existen fugas de agua en ninguna de ellas.

5. Deje recircular el agua al menos durante unos minutos para evacuar el aire y cualquier resto de suciedad que pudiese haber en el interior del reactor UV.

6. Conectar el sistema mediante el interruptor [2] situado en el frontal del panel de control de la unidad.

Recuerde

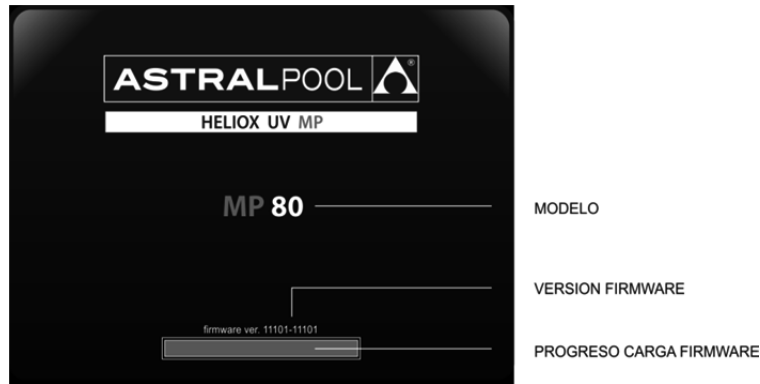


Nunca mire directamente a la lámpara UV cuando ésta se encuentra encendida.

6. FUNCIONAMIENTO:

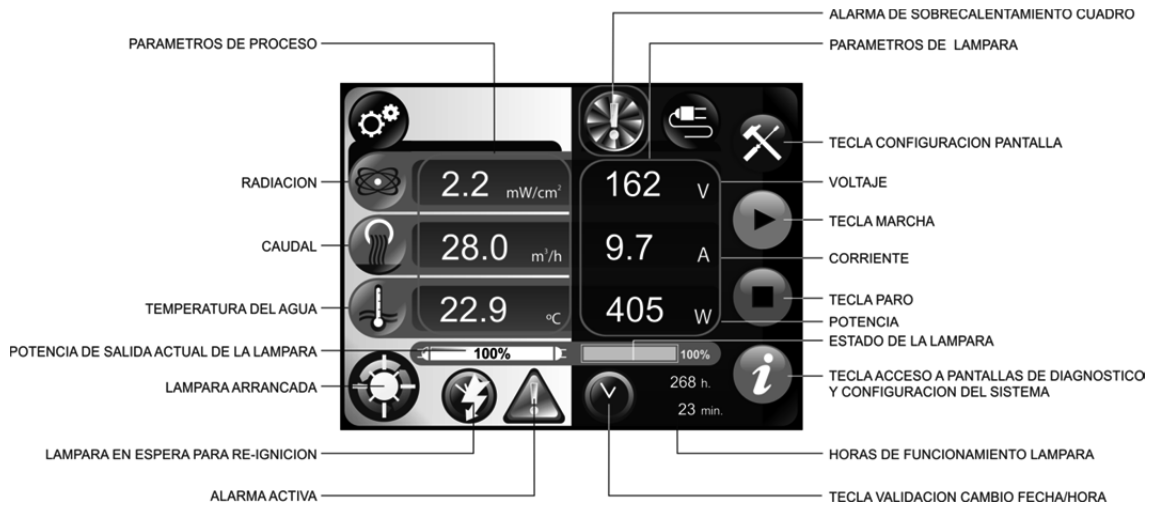
6.1. Pantalla principal del sistema

La primera pantalla que aparece al arrancar el sistema nos indica el modelo de del equipo, así como una barra con la evolución de la carga de su firmware y su número de versión.

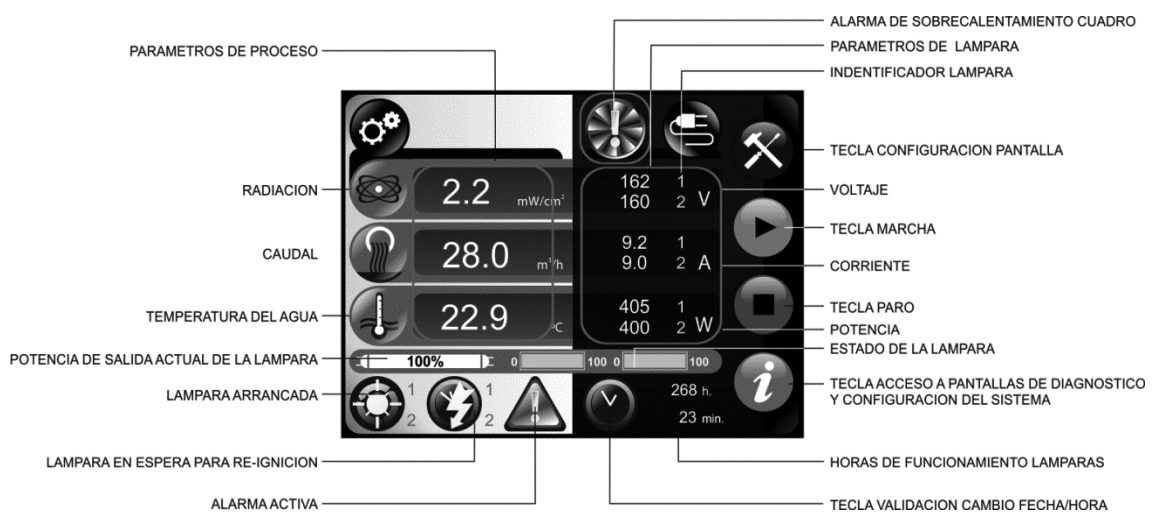


MODELO
VERSION FIRMWARE
PROGRESO CARGA FIRMWARE

Una vez cargado el firmware aparece la pantalla de control principal del sistema. Esta pantalla está dividida en diversas áreas de información.



Models MP 50 ... MP 300



Model MP 450

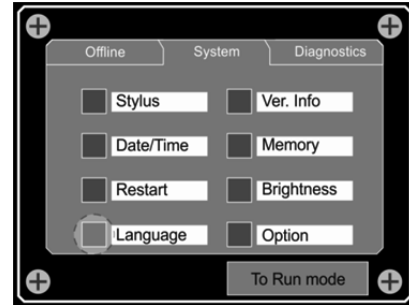
6.2. Selección del IDIOMA

El sistema HELIOX UV MP sale configurado de fábrica en idioma INGLES. Si desea trabajar en un idioma diferente (FRANCES, ESPAÑOL, ITALIANO, ALEMAN o PORTUGUES, proceda tal y como se describe a continuación

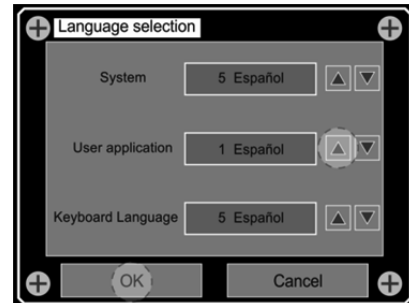
Para acceder a los menús de configuración de la pantalla pulse la tecla situada en el vértice superior derecho de la pantalla principal.



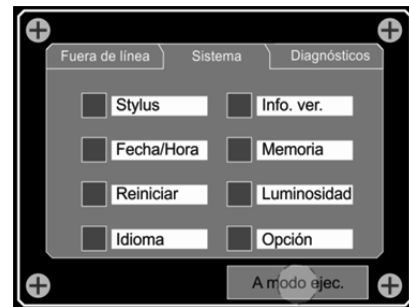
En la pantalla "System" pulsar en la tecla "Language".



Con las teclas de cursor, seleccione "Español" en las tres campos, y pulse la tecla "OK" para finalizar.



A partir de este momento, todas las pantallas aparecerán en el idioma seleccionado "Español". Para volver a la pantalla principal de la aplicación pulse la tecla "A modo ejec."



6.3. Configuración de FECHA / HORA

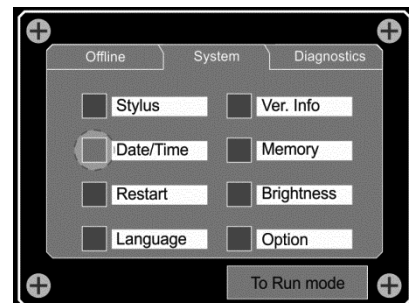
Los ajustes del reloj siguen funcionando hasta 30 días después de desconectar el panel de control si la batería se ha cargado durante seis horas consecutivas como mínimo antes de desconectar el sistema. El reloj de fecha/hora tiene formato de 24 horas y tiene en cuenta los años bisiestos.

Para reconfigurar los ajustes de FECHA/HORA del sistema, proceda tal y como se describe a continuación

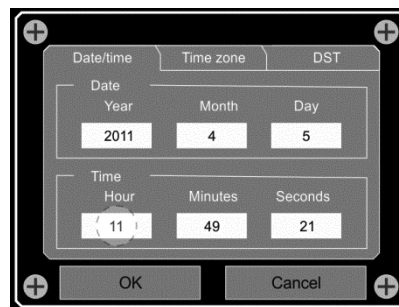
Para acceder a los menús de configuración de la pantalla pulse la tecla situada en el vértice superior derecho de la pantalla principal.



En la pantalla "System" pulsar en la tecla "Fecha/hora".

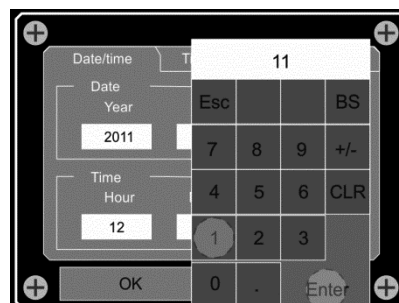


Pulsar directamente sobre el campo que se desee modificar.



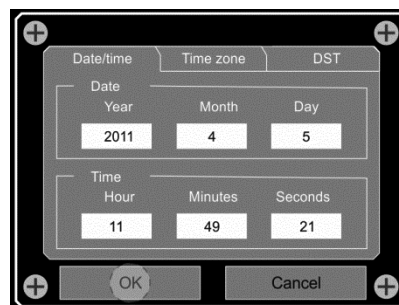
Introducir el nuevo valor sobre el teclado emergente que aparece en la pantalla. Una vez introducido, pulse "Enter" para finalizar.

Proceda de igual modo con el resto de campos que desee modificar.



Una vez ajustadas la fecha /hora del sistema, proceda de igual modo para ajustar su "Zona horaria" y los ajustes "DST" de cambio de hora automáticos según la época del año .

Pulsar la tecla "Aceptar" para volver a la pantalla principal de la aplicación.



Para transferir los parámetros de FECHA/HORA introducidos en la pantalla a la CPU del sistema, pulsar la tecla de validación de FECHA/HORA en la pantalla principal de la aplicación.



Atención



El resto de parámetros de la pantalla vienen configurados por defecto de fábrica y no deberían ser modificados sin la supervisión de un técnico autorizado de Astralpool.

6.4. Inicialización del sistema



MARCHA

Pulsar esta tecla para arrancar la lámpara UV.

IMPORTANTE:



En caso de producirse una desconexión brusca de la lámpara por cualquier motivo (paro, alarma, etc.), el sistema no arranca la lámpara de forma inmediata sino que efectúa un proceso de re-ignición controlada una vez restablecidas las condiciones de funcionamiento de la misma, preservando de esta forma su integridad.

El indicador de re-ignición parpadeará en la parte inferior de la pantalla principal.



Una vez arrancada la lámpara este icono aparecerá en la parte inferior derecha de la pantalla.

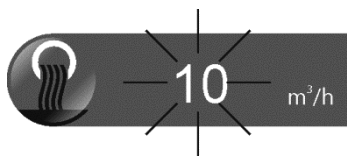
Progresivamente, el sistema irá ajustando el nivel de salida de potencia hasta alcanzar la radiación de consigna en función del modelo instalado.



PARO

Pulsar esta tecla para apagar la lámpara UV.

6.5. Gestión de alarmas



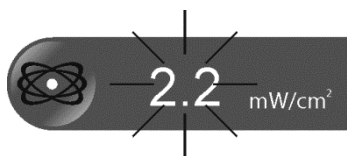
10 m³/h

FALTA DE CAUDAL

Siempre que el sensor de flujo instalado detecte un caudal de agua insuficiente por el interior del reactor UV, el sistema desconectará la lámpara UV y la indicación de **"Caudal"** de la pantalla principal parpadeará.

ATENCIÓN:

Una vez restablecido el caudal de agua, el sistema se rearma automáticamente.



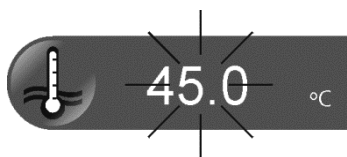
2.2 mW/cm²

RADIACION BAJA

Siempre que el sensor de radiación instalado en el reactor UV detecte un valor demasiado bajo para garantizar una dosis de 60 mJ/cm², incluso con la lámpara funcionando al 100% de su potencia nominal, el sistema desconectará la lámpara UV y la indicación de **"Radiación"** de la pantalla principal parpadeará.

ATENCIÓN:

Para evitar que se produzca esta situación de forma prematura, conviene accionar de forma periódica el dispositivo de limpieza manual de la vaina de cuarzo.



45.0 °C

TEMPERATURA DE AGUA ELEVADA

Siempre que el sensor de temperatura instalado en el reactor UV detecte una temperatura en el agua superior a 113°F (45°C), el sistema desconectará la lámpara UV y la indicación de **"Temperatura"** de la pantalla principal parpadeará.

TEMPERATURA INTERNA EXCESIVA EN PANEL DE CONTROL:

El panel de control está diseñado para trabajar siempre a una temperatura interior inferior a 113°F (45°C). Si por cualquier motivo (temperatura ambiente excesiva, fallo del ventilador de refrigeración interno, etc.) la temperatura alcanzase valores superiores, el sistema desconectará automáticamente la alimentación de la lámpara UV quedando el ventilador de refrigeración interno hasta que la temperatura interior baje de este valor.

El indicador de sobrecalentamiento parpadeará en la parte superior de la pantalla principal.

ATENCIÓN:

El control de temperatura del panel de control se efectúa mediante el termostato [F0] situado en su interior, por lo que en ningún caso debe modificarse su temperatura de consigna 113°F (45°C) con la que sale configurado de fábrica.

Una vez resuelto el problema será necesario de nuevo volver a iniciar el sistema pulsando la tecla de MARCHA.

ALARMA ACTIVA / REGISTRO DE ALARMAS

Siempre que el sistema detecta una alarma activa, se desconectará la lámpara UV.

El sistema no permitirá su re-inicialización mientras no desaparezca la condición de alarma y el usuario efectúe un reconocimiento de la misma pulsando sobre el icono.

Al pulsar este icono la pantalla mostrará un listado con todas la alarmas que permanecen activas en ese momento.



Mensaje	Fecha	Hora
✓ TEMPERATURA RADIADOR	11/23/2011	06:37:43
TEMPERATURA AGUA	08/20/2011	10:24:23
FLUJO	07/19/2011	08:23:54
RADIACION BAJA	04/10/2011	04:12:13



Si pulsamos el botón de acceso al registro de alarmas situado en la parte superior del menú, podemos visualizar todas las alarmas detectadas por el sistema desde su conexión.



Para salir de esta pantalla bastará con ir pulsando los cursores situados en la parte superior de la pantalla.

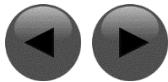


6.6. Diagnósticos del circuito de alimentación de la(s) lámpara(s) UV.



Pulsando la tecla de "Diagnósticos", el sistema accede a una pantalla de diagnóstico tanto del balasto electrónico como del circuito de alimentación de la lámpara UV.

Esta pantalla proporciona una información muy detallada acerca del funcionamiento el balasto electrónico, de forma que en caso de mal funcionamiento o avería resulta muy fácil localizar el origen de la misma.



Las teclas de navegación situadas en la parte superior de la pantalla permiten el acceso a las distintas pantallas de diagnóstico y configuración.



Atención

Siempre que se produzca una alarma en el balasto electrónico, éste quedará bloqueado hasta que se pulse la tecla "RESET".

INACTIVACION DE UNO DE LOS CIRCUITOS DE ALIMENTACION DE LA LAMPARA EN SISTEMAS MULTI-LAMPARA



En los sistemas multi-lámpara (MP450) es posible anular uno de los circuitos de alimentación de las lámparas si por cualquier circunstancia fuese necesario hacerlo (p.e., dejar en servicio el sistema a la espera de sustitución de una de las lámparas, etc.). Para ello, basta con entrar en la pantalla de diagnósticos de la lámpara correspondiente y pulsar sobre el icono. Cuando el circuito de alimentación está desactivado el icono parpadeará en color amarillo. Para activar el circuito de nuevo, bastará con pulsar de nuevo sobre el icono. Este volverá a su estado normal en color verde.

6.7. Registro de eventos del sistema



Para acceder al registro de eventos del sistema, pulsar la tecla de **"Diagnósticos"**. El sistema accede a la pantalla de diagnóstico tanto del balasto electrónico como del circuito de alimentación de la lámpara UV analizada en la sección 5.6.



Pulsando la tecla de navegación situada en la parte superior derecha de la pantalla, accederemos a la pantalla de registro de ciertos eventos del sistema desde su conexión..



Este registro se borra automáticamente cada vez que el sistema se desconecta de la red. (sólo en versiones de firmware anteriores a 11102-XXX y 11202-XXX).

6.8. Configuración de parámetros auxiliares del sistema

La pantalla de **"Configuración"** permite modificar varios parámetros auxiliares del sistema.



Para acceder a la pantalla de **"Configuración"**, pulsar la tecla de **"Diagnósticos"**. El sistema accede a la pantalla de diagnóstico tanto del balasto electrónico como del circuito de alimentación de la lámpara UV analizada en la sección 6.6.



Pulsando varias veces la tecla de navegación situada en la parte superior derecha de la pantalla, accederemos a la pantalla de **"Configuración"**.



DIAMETRO INTERNO DE LA CELULA DE FLUJO

La pantalla de configuración permite modificar el diámetro de la célula de flujo. A menos que sea necesario cambiar la ubicación del detector de caudal desde su posición por defecto en el reactor UV a otro punto de la instalación, debido a que los rangos de caudal medidos se salgan del rango de detección del sensor (5 ... 100 cm/s), este parámetro siempre coincidirá con el diámetro interno del reactor UV, no siendo necesaria por tanto su modificación.

MP 50 ... MP 140	MP 300 ... MP 450
10.51 " (267 mm.)	13.78 " (350 mm.)

Para modificar este parámetro, pulsar sobre el valor actual. Aparecerá un teclado flotante donde se deberá introducir el nuevo diámetro en milímetros. Pulsar "Enter" para finalizar.



ACTIVACION DEL CONTROL DE RADIACION POR FLUJO

A diferencia de la mayoría de equipos del mercado, los sistemas UV-MP manejan dos parámetros a la hora de fijar la potencia de la lámpara: radiación medida por el sensor UV-C y caudal. De este modo, el sistema establece una radiación nominal para cada modelo, la cual viene determinada por el caudal máximo a tratar para garantizar una dosis de 60 mJ/cm². Si el caudal a tratar es inferior al nominal, igualmente lo será la radiación necesaria, por lo que el sistema disminuirá su potencia, optimizando así su consumo eléctrico e incrementando la duración de la lámpara. Al igual que los equipos previos, si la radiación disminuye debido a pérdidas de eficiencia de la lámpara, turbidez, etc., el sistema reajustará la potencia de la lámpara.

ATENCIÓN:

En ningún caso, la potencia de salida de la lámpara será inferior al 70% de su potencia nominal.

Para activar/desactivar el control de flujo, pulsar sobre esta zona. Cuando el control de flujo está activado, el indicador de color verde parpadeará.



CONFIGURACION DE PARAMETROS DE FABRICA

El sistema también permite mediante la introducción de ciertos códigos y contraseñas configurar ciertos parámetros de funcionamiento solamente disponibles para el personal de fábrica o asistencia técnica.

7. MANTENIMIENTO:



Antes de proceder a la instalación o sustitución de cualquier componente del sistema UV asegúrese que éste ha quedado previamente desconectado de la tensión de alimentación, y que no hay flujo de agua a su través. Utilice exclusivamente repuestos suministrados por AstralPool.



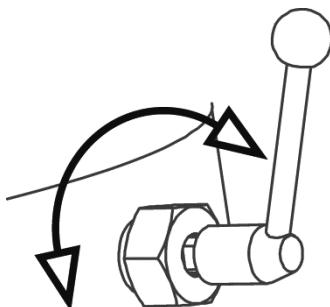
No manipular la lámpara de UV hasta que esté totalmente fría.

7.1. Limpieza mecánica de la vaina de cuarzo

FRECUENCIA:

- Limpiar la vaina de cuarzo al menos UNA VEZ AL DIA.

La limpieza de la vaina de cuarzo en los equipos equipados con WIPER MANUAL debe efectuarse de forma regular para evitar la formación de depósitos sobre su superficie. Para ello basta con accionar la palanca situada sobre el cuerpo del reactor UV haciéndola girar a lo largo de todo su recorrido (aprox. $\pm 90^\circ$).



7.2. Sustitución de la lámpara UV

FRECUENCIA:

- La sustitución de la lámpara UV debería efectuarse siempre que el sistema active la ALARMA DE RADIACION, y la limpieza mediante el dispositivo manual del reactor no resulte efectivo.
- Cuando los niveles de CLORO COMBINADO de la piscina sean anormalmente altos.

PROCEDIMIENTO:

- 1.- Desmontar los frontales de las cajas de conexión de la lámpara liberando los cuatro tornillos que lo fijan al cuerpo del reactor UV.
- 2.- Desconectar la lámpara de los borneros de la dos cajas de conexiones.
- 3.- Liberar las tuercas de sujeción en ambos lados de la lámpara.
- 4.- Extraer los casquillos de cierre teflonados de ambos lados.
- 5.- Extraer completamente la lámpara sujetándola desde uno de sus extremos cerámicos, sin que ésta sufra ningún tipo de torsión.

Atención



Manipular siempre la lámpara de UV con guantes ya que la grasa y otras impurezas depositadas sobre su superficie podrían disminuir su rendimiento y duración. En caso de tener que limpiar la superficie de lámpara utilizar un paño suave impregnado con alcohol.

- 6.- Introduzca la nueva lámpara, sujetándola siempre desde uno de sus extremos cerámicos, e introdúzcala de nuevo en la vaina de cuarzo sin tensionarla.
- 7.- Colocar en su posición original los casquillos de cierre teflonados de ambos lados.
- 9.- Apretar las tuercas de sujeción en ambos lados de la lámpara.
- 10.- Montar de nuevo los frontales de las cajas de conexión en su posición original de forma que queden debidamente fijados con sus tornillos.



Atención

Siempre que se sustituya una lámpara será necesario reinicializar el contador horario de la unidad. Para ello conecte de nuevo el sistema con el interruptor general situado en el frontal del panel de control, y proceda de la siguiente forma:

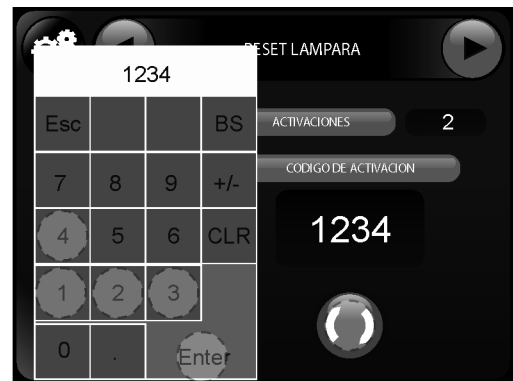


Para acceder a la pantalla de "Configuración", pulsar la tecla de "Diagnósticos". El sistema accede a la pantalla de diagnóstico tanto del balasto electrónico como del circuito de alimentación de la lámpara UV analizada en la sección 6.6.



Pulsando la tecla de navegación situada en la parte superior derecha de la pantalla, accederemos a la pantalla de "Reset Lámpara". En el caso de sistemas multi-lámpara (MP450), se deberá seleccionar la pantalla correspondiente a la lámpara sustituida. Efectuar este procedimiento en todas las pantallas, en el caso de sustituir todas las lámparas de la unidad.

Esta pantalla permite reiniciar el contador de horas de funcionamiento y el número de igniciones de la lámpara cada vez que ésta sea sustituida por una nueva.



Para ello pulsar sobre el código de activación, y mediante el teclado emergente, introducir el código "1234".



Pulsar la tecla "Reset" para validar.

El contador horario mostrará ahora el valor "0".

7.3. Limpieza química / sustitución de la vaina de cuarzo

FRECUENCIA:

- Es necesario comprobar, al menos UNA VEZ AL AÑO, que la vaina de cuarzo no contiene ningún tipo de depósito sobre su superficie (cal, hierro, manganeso, materia orgánica, etc.).
- En cualquier caso, limpiar la vaina de cuarzo CADA VEZ QUE SE SUSTITUYA LA LÁMPARA UV.

PROCEDIMIENTO:

DESMONTAJE DE LA VAINA DE CUARZO

- 1.- Siga el procedimiento descrito en el apartado 7.1 para extraer la lámpara del interior de la vaina de cuarzo.
- 2.- Durante el proceso de limpieza de la vaina asegurarse que la lámpara ha quedado depositada en un lugar seguro para evitar que su superficie se ensucie o se rompa.

Recuerde



Manipular siempre la vaina de cuarzo con guantes ya que la grasa y otras impurezas depositadas sobre su superficie podrían disminuir el rendimiento de la lámpara. En caso de tener que limpiar la vaina, use un paño suave impregnado con alcohol.

- 3.- Utilizando la parte posterior del casquillo teflonado, empujar con cuidado la vaina de cuarzo desde uno de sus extremos y hacerla deslizar suavemente hasta que la junta tórica de ese lado quede liberada.
- 4.- Extraiga completamente la vaina de cuarzo desde el otro extremo evitando que sufra ninguna torsión.
- 5.- Extraiga con cuidado la junta tórica de ese lado de la vaina de cuarzo.
- 6.- Si se observa que la vaina está totalmente transparente volver a colocarla en su alojamiento tal y como se describe a continuación.

7.- En caso de ser necesaria la limpieza de la vaina de cuarzo hacerlo siempre con un paño suave humedecido en vinagre de alcohol o un ácido diluido.

MONTAJE DE LA VAINA DE CUARZO

8.- Con la ayuda de la palanca de accionamiento, desplazar el mecanismo de limpieza de la vaina hacia el lado derecho del reactor (visto desde el lado de los sensores), por donde introduciremos la vaina a continuación.

9.- Introducir la vaina en el primero de los discos de limpieza del mecanismo hasta que ésta alcance el segundo de los discos de limpieza.

10.- Desplazar el mecanismo hasta el otro extremo del reactor, y empujar con una mano la vaina, guiándola en todo momento con una dedo de la otra mano, de forma que se introduzca en el segundo de los discos de limpieza, e intentando en todo momento que ésta no sufra ninguna torsión.

11.- Centrar la vaina de forma que sobresalga por igual a ambos lados de su alojamiento.

12.- Humedecer ligeramente las juntas tóricas y colocarlas en su posición original, quedando introducidas ligeramente en ambos lados de la vaina.

13.- Colocar los casquillos de cierre en sus respectivos alojamientos, y con mucho cuidado, y colocando la palma de la mano sobre el casquillo, presionar hasta que las juntas se introduzcan definitivamente en su alojamiento. En esta posición la vaina sobresaldrá unos milímetros por encima de la junta tórica.

14.- Montar de nuevo la lámpara tal y como se describe el apartado 7.1.

7.4. Sustitución de las juntas de estanqueidad en contacto con la vaina de cuarzo

FRECUENCIA:

- Sustituir las juntas en contacto con la vaina de cuarzo CADA VEZ QUE SE SUSTITUYA LA LÁMPARA UV.

PROCEDIMIENTO:

Para sustituir las juntas de estanqueidad de la vaina de cuarzo, proceder según lo descrito en el apartado 7.2

7.5. Limpieza del sensor UV-C

FRECUENCIA:

- Es necesario comprobar, al menos UNA VEZ AL AÑO que la ventana de cuarzo del sensor UV-C no contiene ningún tipo de depósito sobre su superficie (cal, hierro, manganeso, materia orgánica, etc.).
- En cualquier caso, limpiar el sensor UV-C CADA VEZ QUE SE SUSTITUYA LA LÁMPARA UV.

PROCEDIMIENTO:

1.- Desconectar el cable de conexión del sensor UVC-SE.

2.- Desenroscar y extraer el sensor UVC-SE de su alojamiento en el cuerpo del reactor UV.

3.- Si se observa que la ventana de cuarzo del sensor está totalmente transparente volver a colocarla en su alojamiento tal y como se describe a continuación. En caso de ser necesaria la limpieza de la ventana de cuarzo hacerlo siempre con un paño suave humedecido en alcohol.

4.- Colocar y enroscar el sensor UVC-SE en su alojamiento en el cuerpo del reactor UV.

5.- Conectar de nuevo el cable de conexión del sensor.

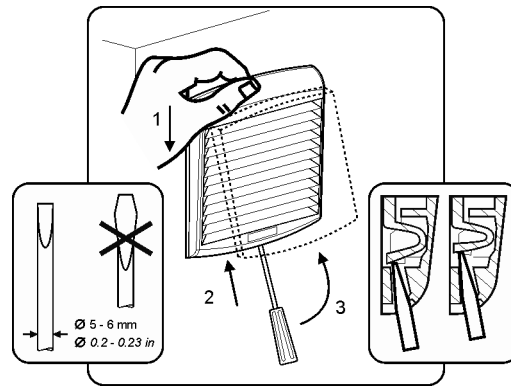
7.6. Control del funcionamiento del ventilador del panel de control

FRECUENCIA:

- Es necesario comprobar el funcionamiento del ventilador del panel de control, y limpiar en su caso las rejillas de ventilación y sus correspondientes filtros, al menos UNA VEZ AL AÑO, o si se observa un ensuciamiento acusado de los mismos..

PROCEDIMIENTO:

1.- Desmontar las rejillas de protección. utilizando para ello un destornillador adecuado, tal y como se muestra en la siguiente figura.



- 2.- Limpiar, y en su caso sustituir, los filtros de fibra que se encuentran en su interior.
- 3.- Montar de nuevo la rejilla en su posición.

7.7. Control del aislamiento y conexiones del sistema

FRECUENCIA:

- Es necesario comprobar el interruptor diferencial situado en el interior del panel de control al menos CADA VEZ QUE SE SUSTITUYA LA LÁMPARA UV, pulsando para ello el pulsador de TEST situado en su frontal.
- Es necesario comprobar el estado de todas las conexiones, en especial las de alimentación de la lámpara así como la conexión a tierra tanto del panel de control como del reactor UV, CADA VEZ QUE SE SUSTITUYA LA LÁMPARA UV.

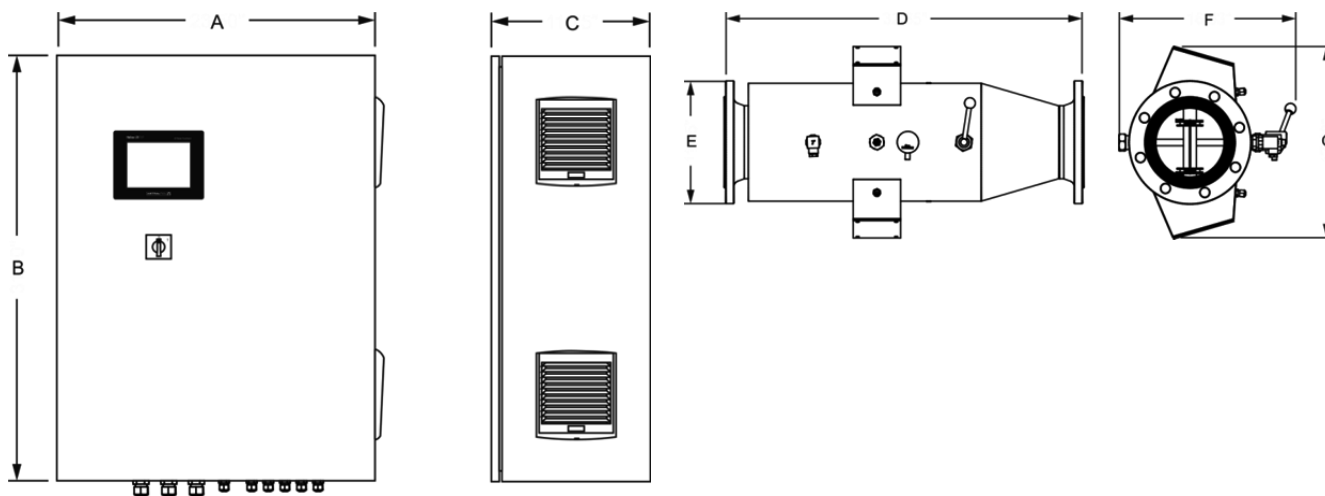
8. CARACTERISTICAS TECNICAS:

	UV MP 50 52200	UV MP 80 52201	UV MP 140 52202	UV MP 300 52203	UV MP 450 52204
Caudal (@ 3-log reduction)	220 gpm 50 m ³ /h	350 gpm 80 m ³ /h	615 gpm 140 m ³ /h	1,320 gpm 300 m ³ /h	1,975 gpm 450 m ³ /h
Material	Metálico, recubrimiento con resina polyester-epoxy RAL 7035 / IP-54				
Panel control	Metálico, recubrimiento con resina polyester-epoxy RAL 7035 / IP-54				
Reactor UV	AISI-316L				
Dimensiones	31.5" x 23.6" x 11.8" 800 x 600 x 300 mm.				
Panel control	31.5" x 23.6" x 11.8" 800 x 600 x 300 mm.				
Reactor UV (lon./diam.)	33.0" / 10.7" 838 / 273 mm.			40.0" / 14.0" 1,017 / 356 mm.	44.8" / 14.0" 1,138 / 356 mm.
Bridas Entrada/Salida	DN 150			DN250	
Presión max.	50 psi / 3.45 bar				
Pérdida carga	0.02 psi @ 220 gpm 0.02 psi @ 50 m ³ /h	0.05 psi @ 350 gpm 0.05 psi @ 80 m ³ /h	0.13 psi @ 615 gpm 0.13 psi @ 140 m ³ /h	0.18 psi @ 1,320 gpm 0.18 psi @ 300 m ³ /h	0.44 psi @ 1,975 gpm 0.44 psi @ 450 m ³ /h
Voltaje	240 VAC / 50-60 Hz. (monofásico)				415/380/240/220 VAC 50-60 Hz. (3-phase)
Potencia nominal (W)	700	1000	3000	3000	6000
Balastos electrónicos	1	1	1	1	2
Potencia UV-C (W)	105	150	450	450	900
Lámparas	1	1	1	1	2
Duración (horas)	8,000 horas				
Refrigeración	Panel: ventilador + filtro Balasto: radiador aluminio auto-ventilado				
Monitor control Radiación Caudal Temperatura Lámpara	Pantalla táctil color 3.4" TFT (320x240 pixels) 6 idiomas Sensor UV-C Detector caudal (acero inox.) Sensor temperatura (PT-100, acero inox.). Alimentación: corriente (A), voltaje (V), consumo (W)				
Contador horario	●	●	●	●	●
Registro alarmas	●	●	●	●	●
	●	●	●	●	●
Control re-ignición	●	●	●	●	●
Control inputs	Dos (2) contactos libre de potencial: caudal y paro remoto				

Dimensiones

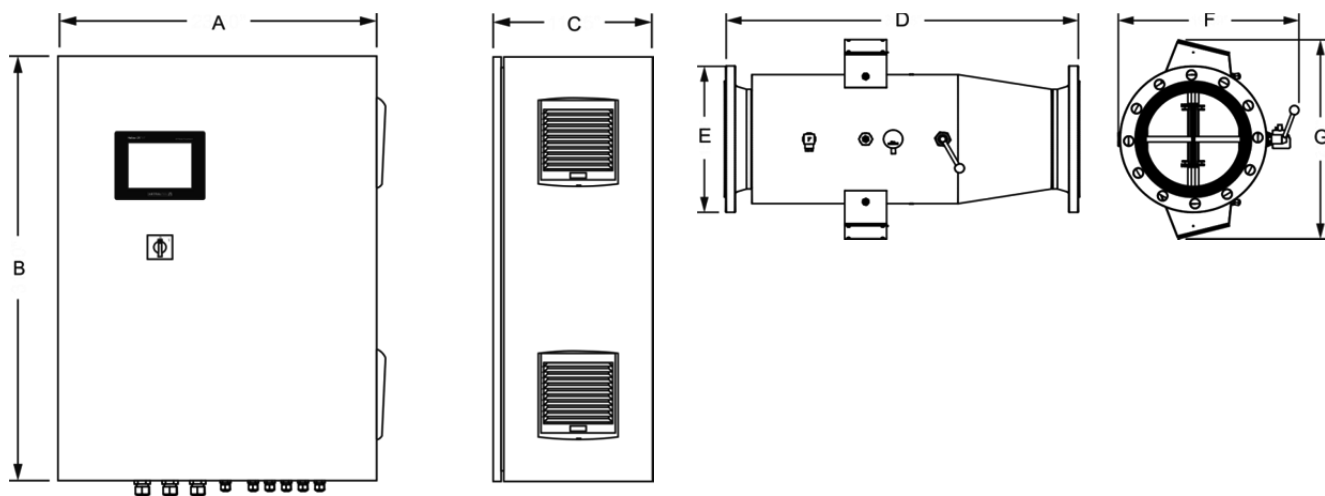
PANEL DE CONTROL

Modelos MP 50 ... MP 140



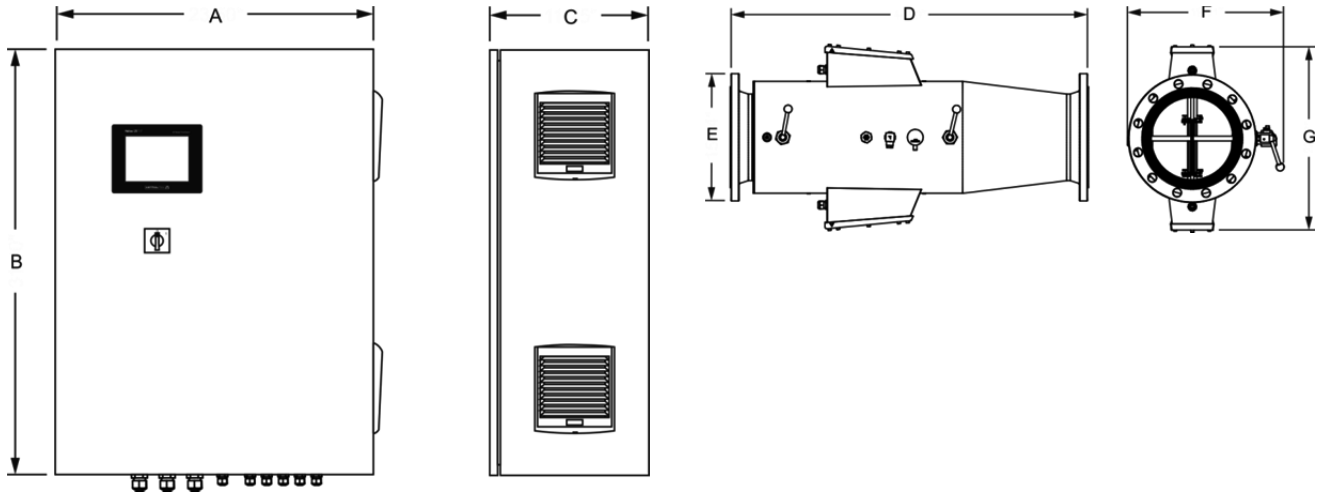
	A		B		C		D		E		F		G	
pulgadas	23.6	600	31.5	800	11.8	300	33.0	838	11.2	284	16.3	414	18.7	476
mm														

Modelo MP 300



	A		B		C		D		E		F		G	
pulgadas	23.6	600	31.5	800	11.8	300	40.0	1017	15.9	404	19.5	496	17.6	446
mm														

Modelo MP 450



	A		B		C		D		E		F		G	
pulgadas	23.6	600	31.5	800	11.8	300	44.8	1138	15.9	404	19.6	498	22.8	580
mm														

9. CONDICIONES DE GARANTIA: _____

9.1. ASPECTOS GENERALES

- 9.1.1. De acuerdo con estas disposiciones, el vendedor garantiza que el producto correspondiente a esta garantía no presenta ninguna falta de conformidad en el momento de su entrega.
- 9.1.2. El Periodo de Garantía Total es de 2 AÑOS, excepto para la lámpara UV ya que este elemento es un consumible.
- 9.1.3. El período de Garantía se calculará desde el momento de su entrega al comprador.
- 9.1.4. Si se produjera una falta de conformidad del Producto y el comprador lo notificase al vendedor durante el Periodo de Garantía, el vendedor deberá reparar o sustituir el Producto a su propio coste en el lugar donde considere oportuno, salvo que ello sea imposible o desproporcionado.
- 9.1.5. Cuando no se pueda reparar o sustituir el Producto, el comprador podrá solicitar una reducción proporcional del precio o, si la falta de conformidad es suficientemente importante, la resolución del contrato de venta.
- 9.1.6. Las partes sustituidas o reparadas en virtud de esta garantía no ampliarán el plazo de la garantía del Producto original, si bien dispondrán de su propia garantía.
- 9.1.7. Para la efectividad de la presente garantía, el comprador deberá acreditar la fecha de adquisición y entrega del Producto.
- 9.1.8. Cuando hayan transcurrido más de seis meses desde la entrega del Producto al comprador y éste alegue falta de conformidad de aquél, el comprador deberá acreditar el origen y la existencia del defecto alegado.
- 9.1.9. El presente Certificado de Garantía no limita o prejuzga los derechos que correspondan a los consumidores en virtud de normas nacionales de carácter imperativo.

9.2. CONDICIONES PARTICULARES

- 9.2.1. Para la eficacia de esta garantía, el comprador deberá seguir estrictamente las indicaciones del Fabricante incluidas en la documentación que acompaña al Producto, cuando ésta resulte aplicable según la gama y modelo del Producto.
- 9.2.2. Cuando se especifique un calendario para la sustitución, mantenimiento o limpieza de ciertas piezas o componentes del Producto, la garantía sólo será válida cuando se haya seguido dicho calendario correctamente.

9.3. LIMITACIONES

- 9.3.1. La presente garantía únicamente será de aplicación en aquellas ventas realizadas a consumidores, entendiéndose por "consumidor", aquella persona que adquiere el Producto con fines que no entran en el ámbito de su actividad profesional.
- 9.3.2. No se otorga ninguna garantía respecto del normal desgaste por uso del producto, ni tampoco respecto a las piezas, componentes y/o materiales fungibles o consumibles (a excepción del electrodo).
- 9.3.3. La garantía no cubre aquellos casos en que el Producto: (i) haya sido objeto de un trato incorrecto; (ii) haya sido inspeccionado, reparado, mantenido o manipulado por persona no autorizada; (iii) haya sido reparado o mantenido con piezas no originales o (iv) haya sido instalado o puesto en marcha de manera incorrecta.
- 9.3.4. Cuando la falta de conformidad del Producto sea consecuencia de una incorrecta instalación o puesta en marcha, la presente garantía sólo responderá cuando dicha instalación o puesta en marcha esté incluida en el contrato de compra-venta del Producto y haya sido realizada por el vendedor o bajo su responsabilidad.
- 9.3.5. Daños o fallos del producto debido a cualquiera de las siguientes causas:
 - Fallo de la lámpara tras 100 horas verificables de funcionamiento normal.
 - Empleo de productos químicos no autorizados de forma explícita.
 - Rotura de la vaina de cuarzo.
 - Funcionamiento del sistema a presiones superiores a 50 psi (3.45 bar).
 - Funcionamiento a voltaje inadecuado o cableado erróneo de cualquiera de los elementos.
 - Exposición a ambientes corrosivos y/o temperaturas inferiores a 2°C (36°F) o superiores a 40°C (104°F).

IMPORTANTE: il manuale di istruzioni di cui si è in possesso contiene informazioni fondamentali riguardanti le misure di sicurezza da prendere al momento dell'installazione e della messa in servizio. Pertanto è indispensabile che sia l'installatore che l'utente leggano le istruzioni prima di procedere al montaggio e all'avviamento.
Conservare il presente manuale per consultarlo in futuro in caso di dubbi sul funzionamento dell'apparecchio.



Trattamento delle apparecchiature elettriche ed elettroniche al termine della vita utile (applicabile soltanto nella UE)

Tutti i prodotti contraddistinti da questo simbolo non possono essere smaltiti assieme agli altri residui domestici al termine della loro vita utile. È di responsabilità dell'utente smaltire questo tipo di residuo conferendolo a un punto di raccolta appropriato per il riciclo selettivo dei residui elettrici ed elettronici. Un trattamento e un riciclo corretti di questo tipo di apparecchi contribuisce in maniera essenziale alla tutela dell'ambiente e alla salute degli utenti. Per ricevere informazioni più precise sui punti di raccolta di questo tipo di residui, rivolgersi alle autorità locali competenti.

Per ottenere una resa ottimale dei Sistemi di Trattamento HELIOX UV MP è opportuno seguire le istruzioni riportate di seguito:

1. VERIFICARE IL CONTENUTO DELL'IMBALLAGGIO:

All'interno della scatola si trovano i seguenti accessori:

Reattore UV.

Sensore di portata: SI5004 + cavo EVC005 (5 m/16,4 ft) ⁽¹⁾.

Sensore di temperatura: MBT5250 + cavo MBTC-05 (5 m/16,4 ft) ⁽¹⁾ ; o TM 4411+ cavo EVC005 (5 m/16,4 ft) ⁽¹⁾.

Sensore di radiazione: UVC-SE + cavo EVC059 (5 m/16,4 ft) ⁽¹⁾

Pannello di controllo.

Cavi di alimentazione lampada LP-035 x2 (5 m/16,4 ft) ⁽¹⁾ (nei modelli MP 50 – MP 300).

Cavi di alimentazione lampada LP-045 x2 (5 m/16,4 ft) ⁽¹⁾ (nel modello MP 450).

Manuale di istruzioni.

⁽¹⁾ Su richiesta sono disponibili cavi di lunghezza personalizzata.

2. CARATTERISTICHE GENERALI

Gli effetti germicidi della luce ultravioletta (UV) con lunghezza d'onda intorno a 260 nm sono molto conosciuti da oltre 100 anni. Negli ultimi anni se ne è incrementato l'impiego, poiché presenta una serie di vantaggi rispetto ai sistemi di disinfezione chimici. Infatti, la luce UV praticamente non altera la composizione fisico-chimica dell'acqua, è molto efficace contro qualsiasi tipo di microrganismo (alghe, batteri, virus, funghi, lieviti, ecc.), e minimizza inoltre i rischi derivanti dalla manipolazione e dosaggio di prodotti chimici potenzialmente pericolosi. D'altra parte, il trattamento UV minimizza i livelli di cloro combinato presenti nell'acqua, comportando pertanto un notevole risparmio d'acqua, poiché il volume e la frequenza del rinnovo di acqua nella piscina diminuiscono.

Il sistema di trattamento HELIOX UV MP, oltre a mantenere un certo livello di cloro nell'acqua della piscina, ne garantirà la qualità sanitaria. Il sistema di trattamento HELIOX UV MP dovrà mettersi in funzione quando il sistema di ricircolo della piscina (pompa e filtro) è operativo.

I sistemi di trattamento HELIOX UV MP sono stati progettati e fabbricati con la tecnologia più avanzata nel trattamento UV dell'acqua, garantendo così un funzionamento prolungato con una manutenzione minima.

L'architettura di controllo proposta per i sistemi HELIOX UV MP presenta una serie di caratteristiche che offrono i più alti livelli di affidabilità, efficienza energetica e scalabilità.

- Grazie ai sistemi che includono sia un sensore di radiazione che un trasmettitore di flusso, entrambi calibrati, si consente la regolazione continua della potenza della lampada, ottimizzandone il consumo energetico e la durata. Diversamente da quanto avviene con la gamma attuale, trattandosi di sensori calibrati non è richiesta alcuna azione da parte dell'utente.
- Diversamente dalle apparecchiature della gamma precedente, i sistemi HELIOX UV MP gestiscono due parametri quando si deve stabilire la potenza della lampada: radiazione rilevata dal sensore e portata. In tal modo il sistema stabilisce una radiazione nominale per ogni modello, che viene determinata dalla portata massima da trattare per garantire una dose di 60 mJ/cm². Se la portata da trattare è inferiore a quella nominale, lo sarà anche la radiazione necessaria, per cui il sistema diminuirà la potenza ottimizzando il consumo elettrico e incrementando la durata della lampada. Come le apparecchiature attuali, se la radiazione diminuisce a causa di perdite di efficienza della lampada, torbidità, ecc., il sistema regolerà la potenza della lampada.
- Il sistema di alimentazione della lampada si basa su un ballast elettronico che ne consente il funzionamento continuo con elevati livelli di efficienza energetica (superiore al 95%).

3. CERTIFICAZIONI:

La seguente gamma di sistemi HELIOX UV MP è certificata ed elencata per uso finale in piscine:

Prodotti Certificati:

Versioni con wiper manuale: **MP-50, MP-80, MP-140, MP-300, MP450**
Versioni con wiper automatico: **MP50W, MP80W, MP140W, MP300W, MP450W**

- **UL**
 - UL 1081, Swimming Pool Pumps, Filters and Chlorinators, Sixth Edition dated January 29, 2008 (including revisions through November 29, 2011).
 - UL 1563, Electric Spas, Equipment Assemblies, and Associated Equipment, Sixth Edition dated July 16, 2009 (including revisions through August 25, 2011).
 - CAN/CSA C22.2 No. 108-01, Fourth Edition, Update No.2 dated March, 2003.
 - CAN/CSA C22.2 No. 218.1-M89, First Edition, Update No.4 dated March 2010 (Reaffirmed 2011).

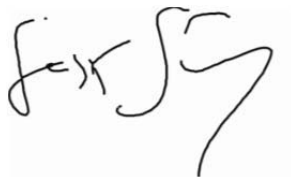
- **NSF**
 - Certified to NSF-50 Standard.
 - This unit has demonstrated an ability to provide three log kill or inactivation of *Enterococcus faecium* [ATCC #6569] and *Pseudomonas aeruginosa* [ATCC #27113].
 - This unit has not demonstrated an ability to provide three log kill or inactivation of Cryptosporidium.
 - This product is designed for supplementary disinfection and is intended for use with appropriate residual levels of EPA registered disinfecting chemicals. Specific residual levels of EPA registered disinfecting chemicals may be required by the regulatory agency having authority.

- **Dichiarazione CE di conformità**

I prodotti menzionati anteriormente sono conformi alle seguenti Direttive comunitarie:

 - Direttiva bassa tensione 2006/95/CE.
 - Direttiva sulla compatibilità elettromagnetica 2004/108/CE.
 - Direttiva ROHS 2011/65/EC.

I.D. ELECTROQUIMICA, S.L.
Pol. Ind. Atalayas, c./ Dracma R-19
E-03114 Alicante
Spagna



Gaspar Sánchez
Amministratore

NORME DI SICUREZZA IMPORTANTI

AVVERTENZA: quando si installano e si utilizzano apparecchiature elettriche, adottare sempre tutte le precauzioni di sicurezza fondamentali, incluse le seguenti:

LEGGERE E SEGUIRE TUTTE LE ISTRUZIONI

La presente unità è sempre dotata di un morsetto giallo-verde contrassegnato con \oplus (*) adatto a cavo rigido di rame, con sezione minima n. 8 AWG per gli Stati Uniti (UL) e n. 6 AWG per il Canada (CSA), che consente il collegamento a questa unità di qualsiasi apparecchiatura metallica, involucro metallico di apparecchiature elettriche, tubatura d'acqua o condotto metallico situati a una distanza di 5 piedi (1,5 m) dall'unità.

L'unità presenta due perni filettati di messa a terra, contrassegnati con \oplus (*) e situati nelle flange finali della camera UV, adeguati per cavi con sezione n. 8 AWG (Stati Uniti) e n. 6 AWG (Canada), e il collegamento alla camera UV è assicurato da una rondella scanalata e da un dado.

(*) IEC 60417, simbolo 5019.

Questo prodotto deve essere collegato a un circuito protetto da un interruttore differenziale.

Uso finale: in piscine. Non utilizzare questa apparecchiatura per un uso diverso da quello per cui è stata progettata.

Il montaggio e la manovra devono essere eseguiti da personale debitamente qualificato.

È necessario osservare la vigente normativa in materia di prevenzione degli incidenti e di impianti elettrici.

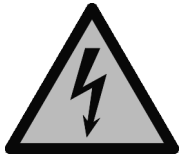
Il fabbricante declina ogni responsabilità per il montaggio, l'installazione o la messa in funzione, nonché per qualsiasi manovra o aggiunta di componenti non effettuate presso i propri stabilimenti.

Accertarsi di fissare bene i collegamenti elettrici onde evitare falsi contatti, con conseguente riscaldamento.

Installare il pannello di controllo di modo che non si ostruiscano le griglie di ventilazione.



Esclusivamente per uso in interni. Questa unità non è destinata per uso in esterni.



Prima di procedere all'installazione o sostituzione di qualsiasi componente dell'impianto, verificare che sia stato prima scollegato dalla tensione di alimentazione e che non sia presente flusso d'acqua. Utilizzare esclusivamente i ricambi forniti da AstralPool.



Non smontare mai il dado di chiusura della guaina di quarzo in caso di ricircolo di acqua all'interno del reattore, poiché potrebbe essere espulsa provocando fughe d'acqua e altri danni.



La luce UV generata da questa apparecchiatura può provocare gravi danni se gli occhi e la pelle vengono esposti direttamente alla lampada. Non collegare mai il sistema quando la lampada si trova fuori dal reattore.



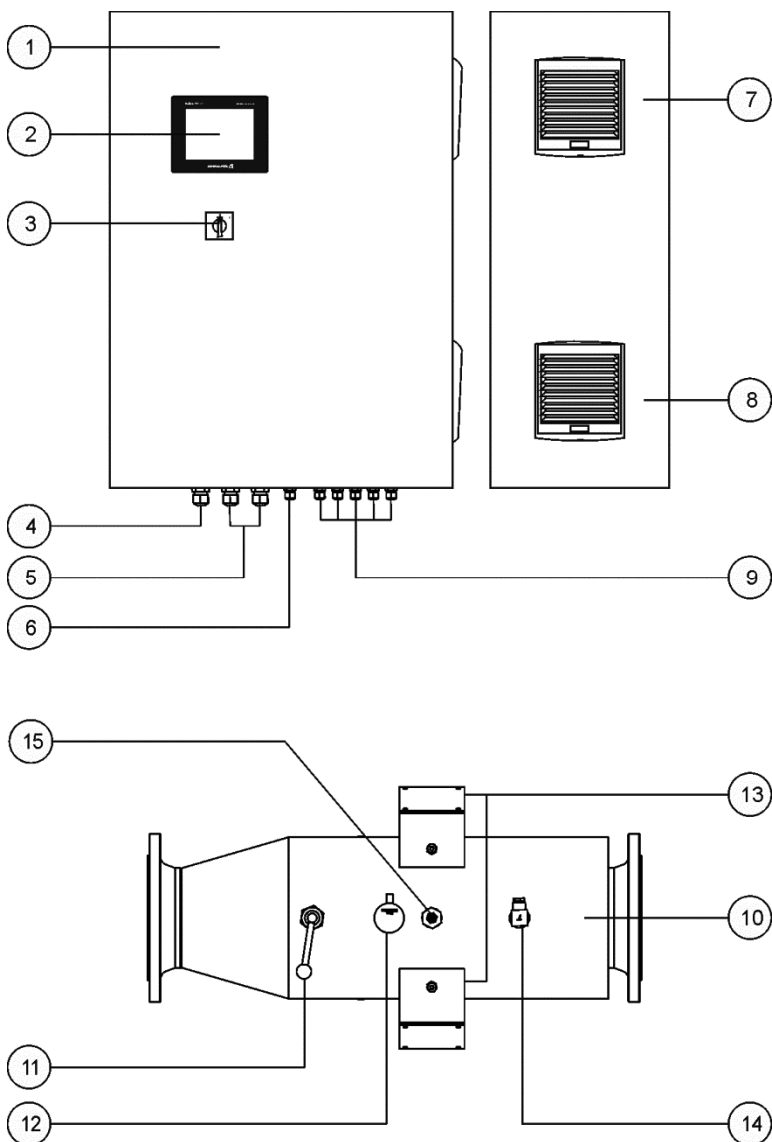
Non manipolare la lampada a UV fino a quando non è completamente fredda.



Manipolare sempre la lampada a UV con guanti poiché il grasso e altre impurità depositatesi sulla superficie potrebbero diminuirne la resa e la durata. Qualora si rendesse necessario pulire la superficie della lampada, utilizzare un panno morbido imbevuto di alcol.

CONSERVARE IL PRESENTE MANUALE DI ISTRUZIONI

4. DESCRIZIONE DEL SISTEMA



- | | |
|--|---|
| 1.- Pannello di controllo | 9.- Ingresso cavi sensori |
| 2.- Schermo tattile | 10.- Reattore UV |
| 3.- Interruttore generale | 11.- Meccanismo pulizia guaina quarzo |
| 4.- Ingresso cavo di alimentazione | 12.- Sensore di portata |
| 5.- Uscita cavi di alimentazione lampada | 13.- Scatola di collegamento lampada a UV |
| 6.- Uscita cavo di terra reattore UV | 14.- Sensore di temperatura |
| 7.- Griglia/filtro di ventilazione | |
| 8.- Griglia/filtro ventilatore | |

5. IMPIANTO:

5.1. Considerazioni generali

- Per garantirne la buona conservazione, bisogna cercare di installare sempre l'apparecchiatura in un luogo asciutto e ben ventilato della sala macchine. Il grado di tenuta stagna del sistema HELIOX UV MP non consente di installarlo esposto alle intemperie.
- La temperatura nella zona di installazione deve essere tra 35 °F (2 °C) e 107 °F (42 °C), e l'umidità relativa non deve superare l'80%.
- Installare l'unità il più lontano possibile da qualsiasi deposito di prodotti chimici e fonti di umidità.

Attenzione



In particolare, evitare la formazione di ambienti corrosivi dovuti alle soluzioni atte a ridurre il pH (nel dettaglio, quelle a base di acido cloridrico "HCl"). Non installare il sistema HELIOX UV MP vicino ai locali di stoccaggio di questi prodotti. Si raccomanda caldamente l'uso di prodotti a base di bisolfato di sodio o acido solforico diluito.

5.2. Installazione del reattore UV

Il reattore del sistema HELIOX UV MP può essere installato sia ORIZZONTALMENTE che VERTICALMENTE, come mostrato nel diagramma dell'installazione consigliata (figg. 1a/b).

Attenzione



Se il reattore UV viene installato orizzontalmente, la lampada deve rimanere sempre in posizione orizzontale, poiché se si installa di modo che la lampada sia in posizione verticale, in caso di bassa portata può formarsi una camera d'aria nella parte superiore, con parte del bulbo esposta all'aria. Data l'alta temperatura di lavoro delle lampade a media pressione, è facilmente intuibile che si deve sempre evitare una simile situazione.

Se il reattore UV viene installato orizzontalmente, i sensori devono rimanere nella parte superiore.

Rispettare sempre le indicazioni sulla direzione del flusso presenti nella camera UV.

Il reattore dei sistemi UV HELIOX UV MP è fabbricato in acciaio inossidabile AISI 316 L al cui interno è sistemata la lampada a UV. Il sistema HELIOX UV MP dovrebbe essere installato **sempre a valle del sistema di filtrazione e a monte di qualsiasi altro dispositivo dell'impianto**, quali pompe di calore, sistemi di controllo, dosatori, sistemi di elettrolisi salina, ecc.

L'installazione deve anche consentire un facile accesso dell'utente alla lampada UV. L'ubicazione del sistema HELIOX UV MP deve disporre di uno spazio utile che consenta l'estrazione completa della lampada UV dalla sua guaina (circa un metro nei lati in cui si trovano le scatole di collegamento della lampada UV).

Il sistema HELIOX UV MP deve essere posto in un punto della tubazione che possa essere isolato dal resto dell'impianto mediante due valvole, in modo da poter svolgere le operazioni di manutenzione senza dover svuotare del tutto o parzialmente la piscina. Qualora la cellula venga installata in by-pass (opzione consigliata), bisognerà inserire una valvola che regoli la portata attraverso di essa.

Attenzione



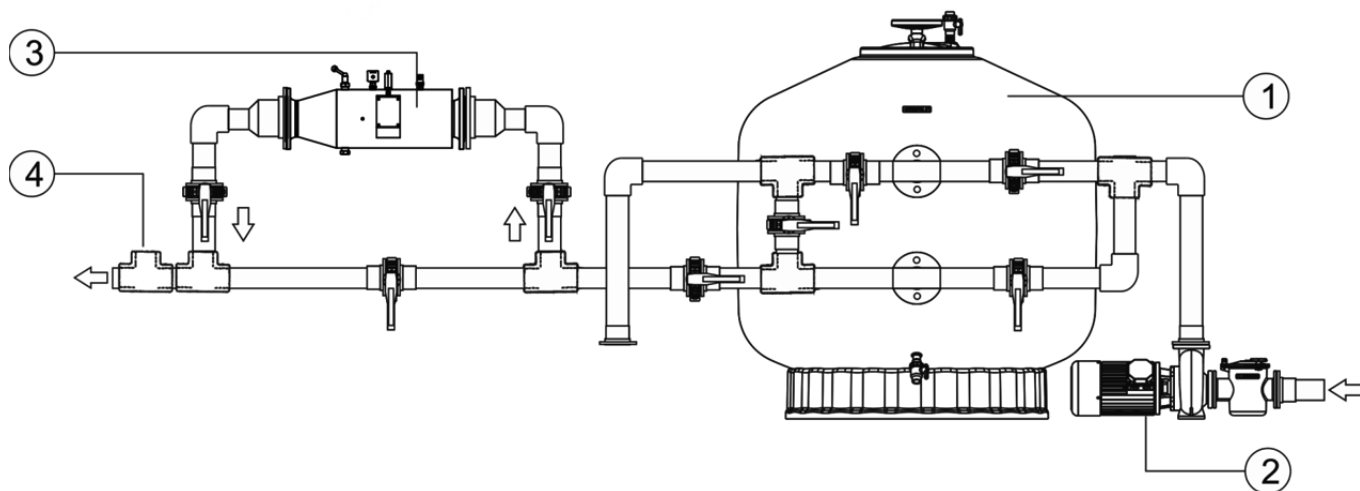
Prima di procedere all'installazione o sostituzione di qualsiasi componente dell'impianto, verificare che sia stato prima scollegato dalla tensione di alimentazione e che non sia presente flusso d'acqua. Utilizzare esclusivamente i ricambi forniti da AstralPool.



L'unità presenta due perni filettati di messa a terra, contrassegnati con \oplus (*) e situati nelle flange finali della camera UV, adeguati per cavi con sezione n. 8 AWG (Stati Uniti) e n. 6 AWG (Canada), e il collegamento alla camera UV è assicurato da una rondella scanalata e da un dado.

Legenda:

1. Filtro.
2. Pompa.
3. Reattore UV.
4. Altre apparecchiature (pompe dosatrici, controllori, pompe di calore, ecc.).



IMPORTANTE

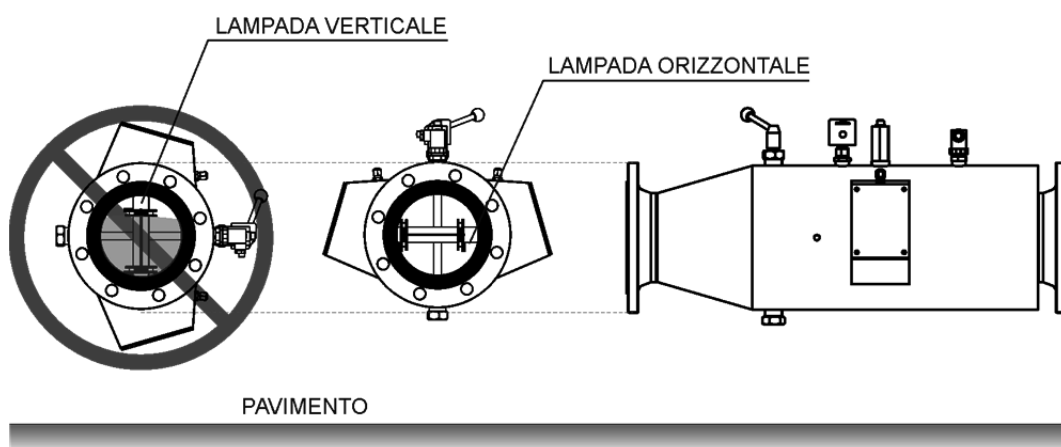


Fig. 1a. Sistemi HELIOX UV MP. Diagramma di installazione consigliata (ORIZZONTALE).

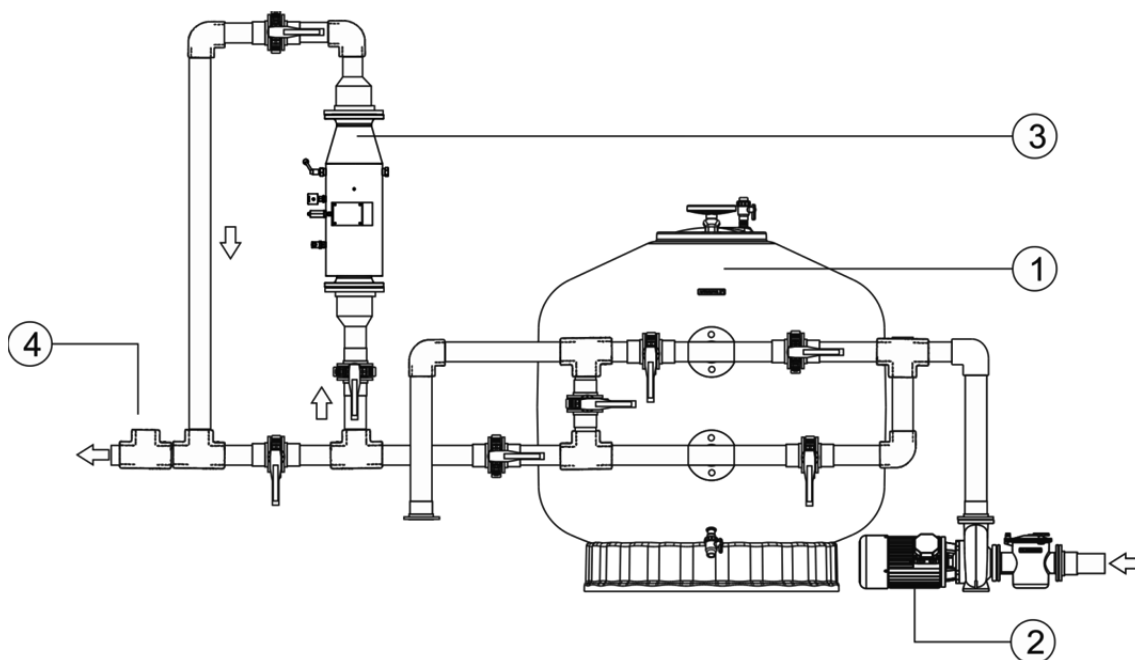


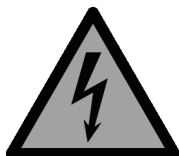
Fig. 1b. Sistemi HELIOX UV MP. Diagramma di installazione consigliata (VERTICALE).

5.3. Installazione del quadro di controllo

Installare sempre il PANNELLO DI CONTROLLO del sistema HELIOX UV MP VERTICALMENTE e su una superficie (parete) rigida, di modo che lo schermo tattile situato nella parte frontale del pannello rimanga all'altezza degli occhi.

Il collegamento del sistema HELIOX UV MP alla rete elettrica deve essere eseguito nel quadro di manovra del depuratore, **in modo che la pompa e il sistema di trattamento a UV si colleghino contemporaneamente.**

Importante



Il montaggio e la manovra devono essere eseguiti da personale debitamente qualificato.

È necessario osservare la vigente normativa in materia di prevenzione degli incidenti e di impianti elettrici.

Non cercare di alterare il pannello di controllo per operare a una tensione diversa da quella riportata sull'etichetta nella parte laterale dell'unità.

Sia l'alimentazione del pannello di controllo del sistema HELIOX UV MP che l'interconnessione della lampada a UV e dei sensori dovranno eseguirsi nel terminale posto alla base dell'interno del pannello di controllo. La base del pannello di controllo ha una serie di premistoppa per il corretto fissaggio dei cavi di alimentazione e dei sensori. In nessun caso si deve modificarne la lunghezza o la sezione senza prima consultare il proprio distributore AstralPool autorizzato.

Attenzione



Usare esclusivamente cavi di rame.

Collegamento permanente.

PANNELLO DI CONTROLLO: DESCRIZIONE DEL TERMINALE DI COLLEGAMENTI

Modelli MP 50 – MP 300

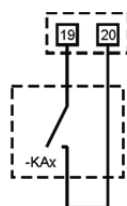
Morsetto	Ingresso pannello di controllo	Cavo	Descrizione cavo
PE			TERRA
1	ALIMENTAZIONE 240 V CA / 50-60 Hz / monofase	(1)	FASE
2			NEUTRO
PE	MESSA A TERRA - REATTORE UV	(2)	TERRA
3	USCITA LAMPADA UV	LP-035/1	ROSSO
4		LP-035/2	ROSSO
5	SW-11	LP-035/1	NERO "1"
6	SW-12		NERO "2"
7	SW-21	LP-035/2	NERO "1"
8	SW-22		NERO "2"
9			MARRONE
10	INGRESSO SENSORE DI FLUSSO SI5004	EVC-005	BIANCO
11			BLU
12			BIANCO
13	INGRESSO SENSORE RADIAZIONE UVC-SE	EVC059	MARRONE
14			NERO
15			GRIGIO
16	INGRESSO SENSORE TEMPERATURA TM4411 / MBT5250	EVC-005 o MBTC-05	MARRONE (o blu)
17			BIANCO (o verde)
18			BLU (o rosso)
19	INGRESSO SENSORE FLUSSO	(3)	CONTATTO A POTENZIALE ZERO
20			
21	INGRESSO ARRESTO REMOTO	(4)	CONTATTO A POTENZIALE ZERO
22			

(1) Non fornito con l'unità.

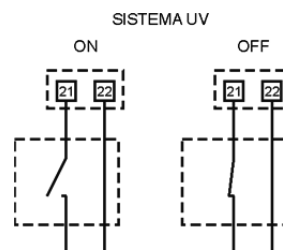
(2) Non fornito con l'unità. La messa a terra deve essere effettuata con un conduttore rigido di rame con una sezione minima n. 8 AWG (USA) / 6 AWG (Canada).

(3) Ingresso ponticellato per impostazione predefinita. Si raccomanda caldamente di bloccare il sistema UV con il contattore della pompa di ricircolo mediante uno dei contatti ausiliari NO.

(4) Logica dell'ingresso



CONTATTORE POMPA RECIRCOLO

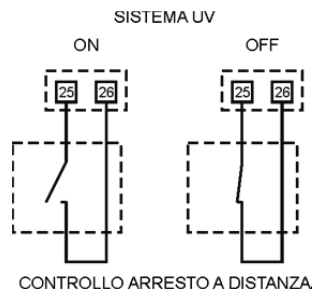
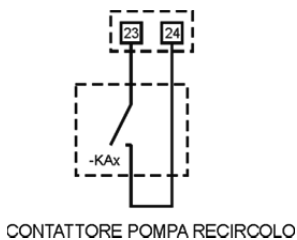


CONTROLLO ARRESTO A DISTANZA

Modello MP 450 (versioni 220/240V)

Morsetto	Ingresso pannello di controllo	Cavo	Descrizione cavo
PE	ALIMENTAZIONE 240 V CA / 50-60 Hz / trifase	(1)	TERRA
2			FASE (R)
3			FASE (S)
4			FASE (T)
PE	MESSA A TERRA - REATTORE UV	(2)	TERRA
5	USCITA LAMPADA UV 1	LP-045/1-1	ROSSO
6		LP-045/2-1	ROSSO
7	USCITA LAMPADA UV 2	LP-045/1-2	BIANCO
8		LP-045/2-2	BIANCO
9	SW-11	LP-045-1	NERO "1"
10	SW-12		NERO "2"
11	SW-21	LP-045-2	NERO "1"
12	SW-22		NERO "2"
13	INGRESSO SENSORE DI FLUSSO SI5004	EVC-005	MARRONE
14			BIANCO
15			BLU
16	INGRESSO SENSORE RADIAZIONE UVC-SE	EVC059	BIANCO
17			MARRONE
18			NERO
19			GRIGIO
20	INGRESSO SENSORE TEMPERATURA TM4411 / MBT5250	EVC-005 o MBTC-05	MARRONE (o blu)
21			BIANCO (o verde)
22			BLU (o rosso)
23	INGRESSO SENSORE FLUSSO	(3)	CONTATTO A POTENZIALE ZERO
24	INGRESSO ARRESTO REMOTO	(4)	CONTATTO A POTENZIALE ZERO
25			
26			

- (1) Non fornito con l'unità.
- (2) Non fornito con l'unità. La messa a terra deve essere effettuata con un conduttore rigido di rame con una sezione minima n. 8 AWG (USA) / 6 AWG (Canada).
- (3) Ingresso ponticellato per impostazione predefinita. Si raccomanda caldamente di bloccare il sistema UV con il contattore della pompa di ricircolo mediante uno dei contatti ausiliari NO.
- (4) Logica dell'ingresso.



Modello MP 450 (versioni 380/415V)

Morsetto	Ingresso pannello di controllo	Cavo	Descrizione cavo
PE			TERRA
1			NEUTRO
2	ALIMENTAZIONE 415 V CA / 50-60 Hz / trifase	(1)	FASE (R)
3			FASE (S)
4			FASE (T)
PE			MESSA A TERRA - REATTORE UV
5	USCITA LAMPADA UV 1	LP-045/1-1	ROSSO
6		LP-045/2-1	ROSSO
7	USCITA LAMPADA UV 2	LP-045/1-2	BIANCO
8		LP-045/2-2	BIANCO
9	SW-11	LP-045-1	NERO "1"
10	SW-12		NERO "2"
11	SW-21		NERO "1"
12	SW-22		NERO "2"
13	INGRESSO SENSORE DI FLUSSO SI5004	EVC-005	MARRONE
14			BIANCO
15			BLU
16	INGRESSO SENSORE RADIAZIONE UVC-SE	EVC059	BIANCO
17			MARRONE
18			NERO
19			GRIGIO
20	INGRESSO SENSORE TEMPERATURA TM4411 / MBT5250	EVC-005 o MBTC-05	MARRONE (o blu)
21			BIANCO (o verde)
22			BLU (o rosso)
23	INGRESSO SENSORE FLUSSO	(3)	CONTATTO A POTENZIALE ZERO
24	INGRESSO ARRESTO REMOTO	(4)	CONTATTO A POTENZIALE ZERO
25			
26			

- (1) Non fornito con l'unità.
 (2) Non fornito con l'unità. La messa a terra deve essere effettuata con un conduttore rigido di rame con una sezione minima n. 8 AWG (USA) / 6 AWG (Canada).
 (3) Ingresso ponticellato per impostazione predefinita. Si raccomanda caldamente di bloccare il sistema UV con il contattore della pompa di ricircolo mediante uno dei contatti ausiliari NO.
 (4) Logica dell'ingresso.



⁽¹⁾ Sezione del cavo minima consigliata

Modello	240 V / monofase	240 V / trifase	415 V / trifase
MP 50	3 x AWG 16 (3 x 1,50 mm ²)	N/A	N/A
MP 80	3 x AWG 16 (3 x 1,50 mm ²)	N/A	N/A
MP 140	3 x AWG 12 (3 x 4 mm ²)	N/A	N/A
MP 300	3 x AWG 12 (3 x 4 mm ²)	N/A	N/A
MP 450	N/A	3 x AWG 12 (3 x 4 mm ²)	5 x AWG 12 (3 x 4 mm ²)

5.4. Collegamento della lampada a UV

Collegare la/e lampada/e a UV installata/e all'interno del reattore UV ai morsetti corrispondenti del pannello di controllo utilizzando i due cavi forniti con l'unità. A tale scopo, aprire le scatole di collegamento situate in entrambi i lati del reattore UV e collegare i cavi ai morsetti di collegamento corrispondenti.

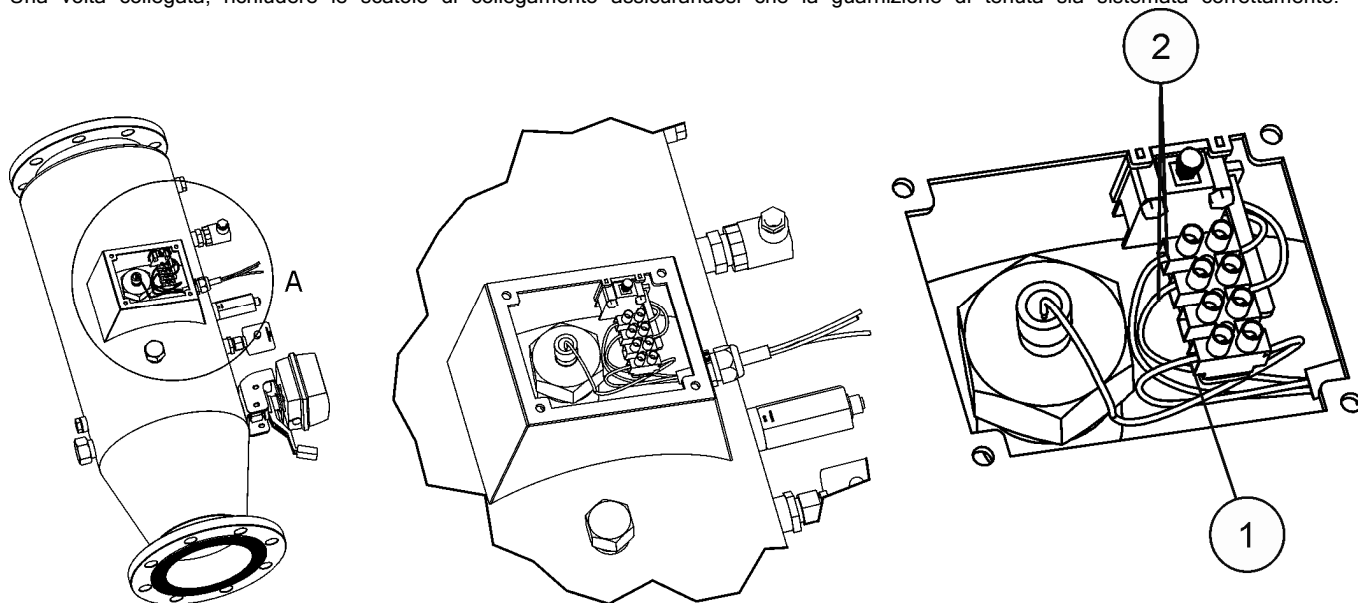
- 1.- Alimentazione della lampada (rosso).
2. Micro-interruttore (cavi neri, etichettati "1" e "2").

Attenzione

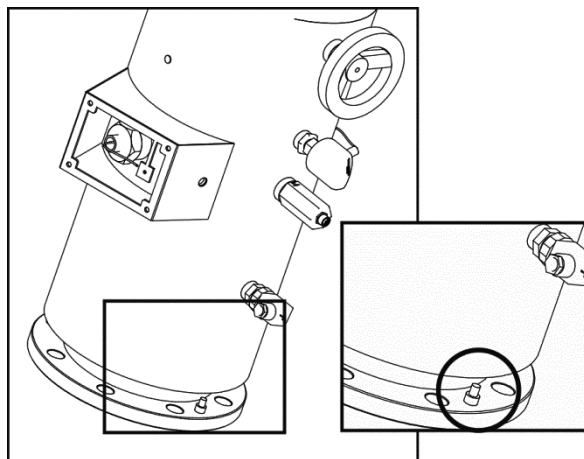


L'unità è munita di un meccanismo automatico per scollegare l'alimentazione della lampada a UV quando si toglie il coperchio.

Una volta collegata, richiudere le scatole di collegamento assicurandosi che la guarnizione di tenuta sia sistemata correttamente.



L'unità presenta due perni filettati di messa a terra, contrassegnati con \oplus (*) e situati nelle flange finali della camera UV, adeguati per cavi con sezione n. 8 AWG (Stati Uniti) e n. 6 AWG (Canada), e il collegamento alla camera UV è assicurato da una rondella scanalata e da un dado.



Attenzione



Prima di procedere all'installazione o sostituzione di qualsiasi componente dell'impianto, verificare che sia stato prima scollegato dalla tensione di alimentazione e che non sia presente flusso d'acqua.

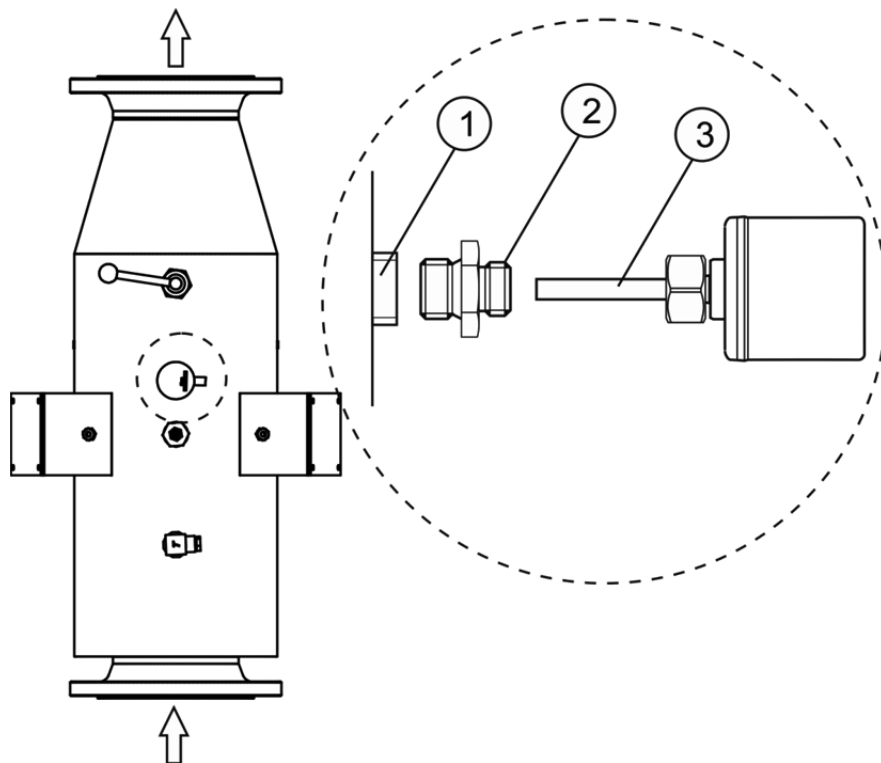


Accertarsi di fissare bene i collegamenti elettrici onde evitare falsi contatti, con conseguente riscaldamento.

5.5. Installazione del sensore di flusso SI5004

Il sensore di flusso SI5004 è un rilevatore calorimetrico che converte la sua risposta in un segnale analogico 4/20 mA. Il segnale di uscita corrisponde alla curva caratteristica del sensore. La barra di LED situata sulla testa indica la velocità di flusso relativa all'interno del campo di rilevamento. Quando non vi è flusso, il LED "0" lampeggerà. Il sensore SI5004 si fornisce calibrato di fabbrica (5-100 cm/s) in acqua, per cui non è necessario effettuare alcun processo di ricalibratura quando viene installato. Il tempo di risposta del sensore può oscillare nell'intervallo di 1-10 secondi.

Avvitare l'adattatore con filetto E40096 fornito nella posizione etichettata con "FLOW" nel corpo del reattore UV. Quindi avvitare il sensore di flusso SI5004 all'adattatore.



1. Ingresso rilevatore di flusso "FLOW" nel reattore UV.
2. Adattatore filetto M18-1/2" E40096.
3. Rilevatore di flusso SI5004.

Fig. 2

Collegare il sensore SI5004 mediante il cavo EVC005 fornito con l'apparecchiatura ai corrispondenti morsetti del terminale di collegamento del quadro di controllo. (vedi pagg. 8, 9).

5.6. Installazione del sensore di radiazione UVC-SE

Il sensore UVC-SE fornito con l'apparecchiatura HELIOX UV MP offre un metodo di misura robusto e stabile nel tempo per la misurazione della radiazione UV-C in sistemi di disinfezione dell'acqua. Il corpo in acciaio inossidabile offre grande stabilità e resistenza alla corrosione. Il sensore UVC-SE viene fornito calibrato rispetto a un riferimento PTB. Il circuito elettronico situato al suo interno genera un segnale che viene trasferito al pannello di controllo del sistema.

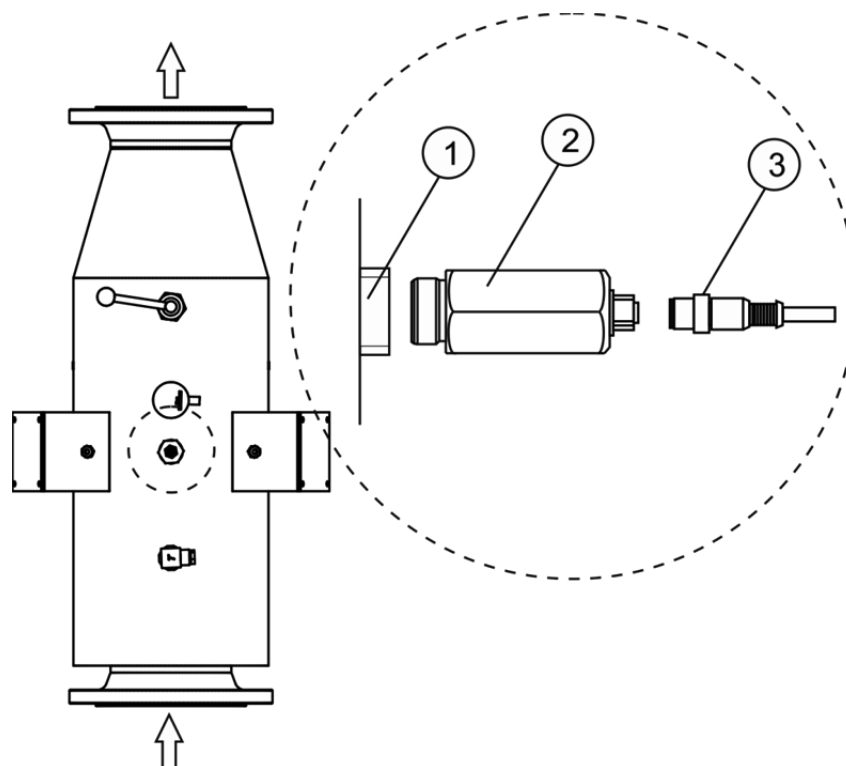
Attenzione



Manipolare sempre il sensore UVC-SE con molta attenzione, poiché il grasso e altre impurità depositatesi sulla superficie potrebbero diminuirne la resa e la durata. Qualora si rendesse necessario pulire la superficie della finestra di quarzo, utilizzare un panno morbido imbevuto di alcol.

Svitare il protettore di plastica che protegge la finestra del sensore. Conservare in luogo sicuro il protettore per futuri lavori di manutenzione.

Avvitare il sensore UVC-SE nella posizione etichettata come **"UV-C"** nel corpo del reattore UV.



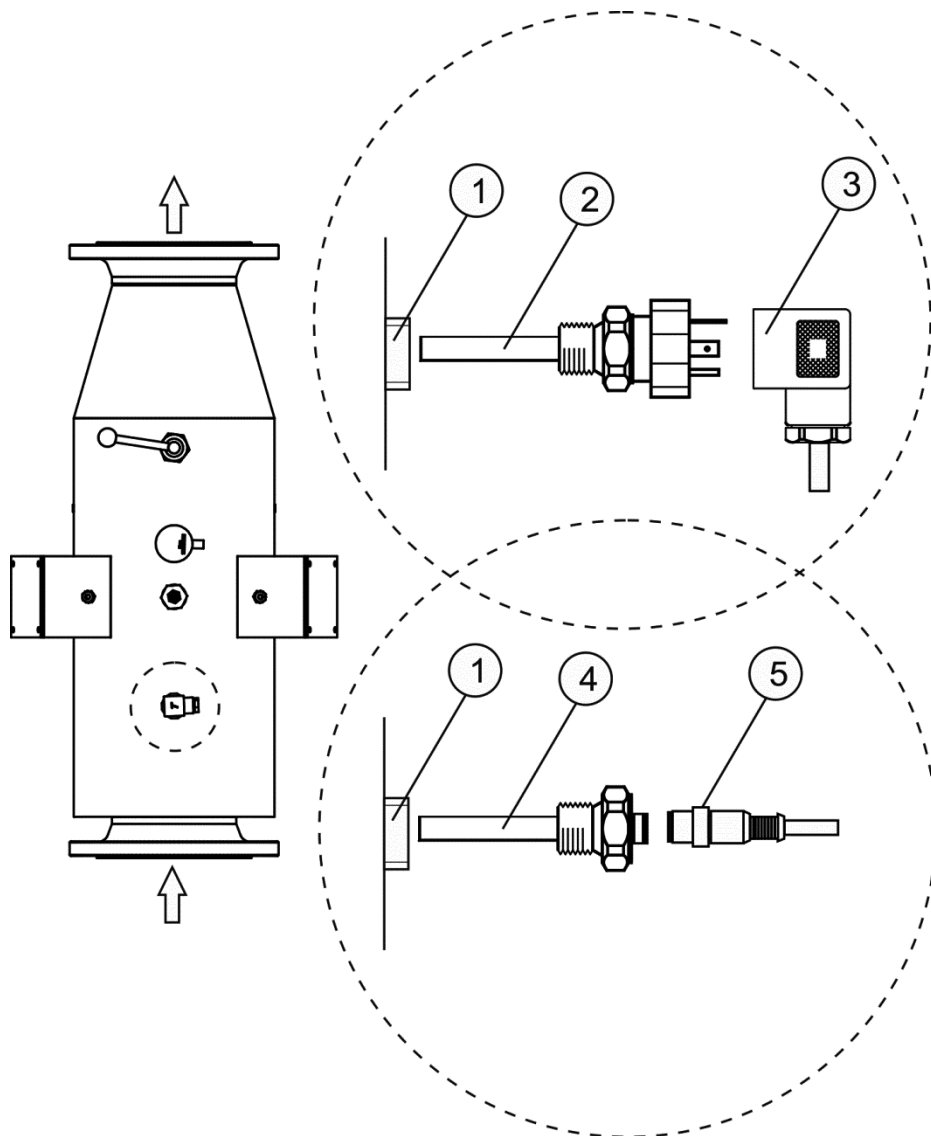
1. Ingresso sensore radiazione **"UV-C"** nel reattore UV.
2. Sensore radiazione UVC-SE.
3. Cavo UVC-05.

Fig. 3

Collegare il sensore UVC-SE mediante il cavo UVC-05 fornito con l'apparecchiatura ai morsetti corrispondenti del terminale di collegamento del quadro di controllo. (vedi pagg. 8-9).

5.7. Installazione del sensore di temperatura TM4411 / MBT5250

La sonda di temperatura MBT5250 / TM4411 è costituita da un sensore Pt-100 che converte la sua risposta in un segnale analogico 4/20 mA. Il sensore MBT5250 / TM4411 si fornisce calibrato di fabbrica, per cui non è necessario effettuare alcun processo di ricalibratura quando viene installato.



	Configurazione per sensore MBT5250		Configurazione per sensore TM4411
1.	Ingresso sensore temperatura "Temp." nel reattore UV.	1.	Ingresso sensore temperatura "Temp." nel reattore UV.
2.	Sensore temperatura MBT5250.	4.	Sensore temperatura TM4411.
3.	Cavo MBTC-05.	5.	Cavo EVC005.

Fig. 4

Avvitare il sensore MBT5250/TM4411 fornito nella posizione etichettata con "Temp." nel corpo del reattore UV.

Collegare il sensore MBT5250/TM4411 mediante il cavo MBTC-05/EVC005 fornito con l'unità ai morsetti corrispondenti del terminale di collegamento del quadro di controllo (vedi pagg. 8, 9).

5.8. Comandi e indicatori

I sistemi di trattamento HELIOX UV MP sono dotati di un pannello di controllo tattile situato nella parte frontale del loro pannello di controllo, che include un avanzato software che consente un controllo totale, sia sul processo di trattamento che sull'alimentazione della lampada a UV. Allo stesso modo, sulla parte frontale del pannello si trova l'interruttore generale del sistema.

5.9. Messa in funzione

1. Controllare che il filtro sia pulito al 100% e che la piscina e l'impianto non contengano rame, ferro e alghe.
2. Lo stato analitico dell'acqua è molto importante per garantire che il sistema HELIOX UV MP funzioni ai massimi livelli di efficienza. Prima di mettere in funzione il sistema, verificare che i seguenti parametri siano entro i livelli consigliati:

- Ferro: meno di 0,3 mg/l.
- Durezza: meno di 120 mg/l.
- Torbidezza: meno di 1 NTU.
- Manganese: meno di 0,05 mg/l.
- TSS: meno di 10 mg/l.
- Trasmittanza UV: superiore al 75%.

Se i livelli di alcuni di questi parametri eccedono i valori raccomandati, si consiglia di effettuare un pre-trattamento adeguato per correggerli.

3. Equilibrare l'acqua della piscina. Ciò consentirà di ottenere un trattamento più efficace con una minore concentrazione di cloro libero nell'acqua, nonché un funzionamento prolungato della lampada e una minore formazione di depositi calcarei sulla guaina di quarzo del sistema.

a) Il pH deve essere compreso fra 7.2 e 7.6

b) L'alcalinità totale deve essere di 60-120 ppm.

4. Controllare che tutti i collegamenti idraulici siano eseguiti correttamente e che non vi siano fughe d'acqua.
5. Lasciare circolare l'acqua almeno per alcuni minuti per evacuare l'aria e qualsiasi resto di sporcizia presente all'interno del reattore UV.
6. Collegare il sistema mediante l'interruttore [2] situato nella parte frontale del pannello di controllo dell'unità.

Importante

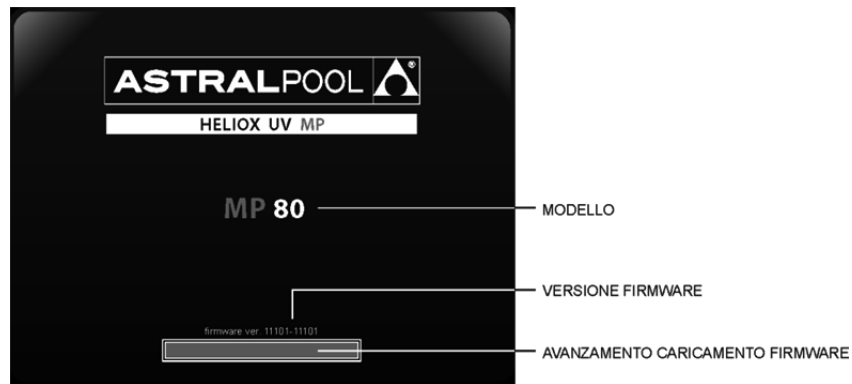


Non guardare mai direttamente la lampada a UV quando è accesa.

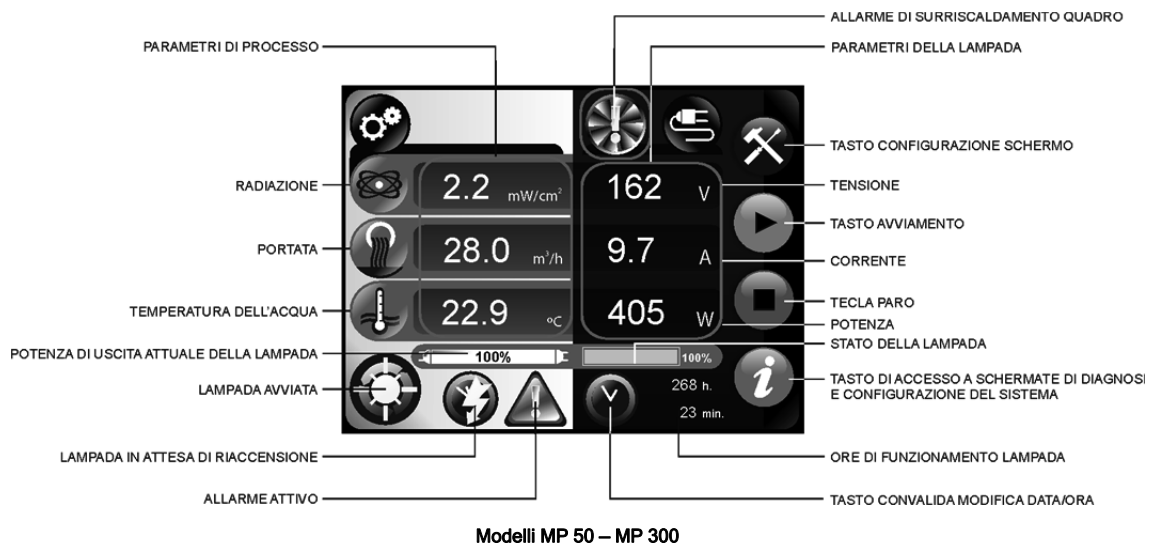
6. FUNZIONAMENTO:

6.1. Schermata principale del sistema

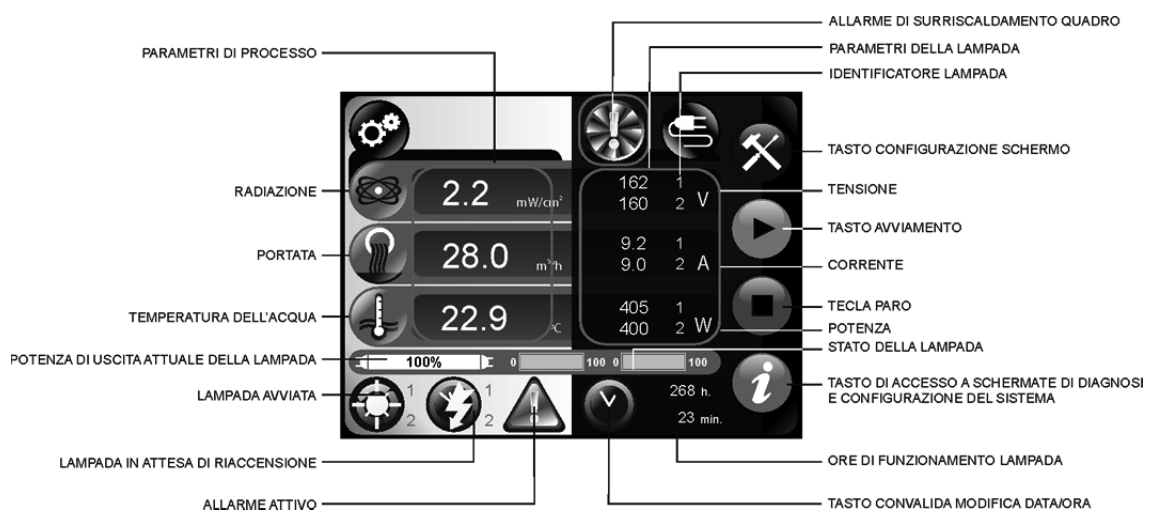
La prima schermata che compare avviando il sistema indica il modello dell'apparecchiatura, oltre a una barra con l'evoluzione della carica del firmware e il numero di versione.



Una volta caricato il firmware, appare la schermata di controllo principale del sistema. Questa schermata è suddivisa in diverse aree di informazione.



Modelli MP 50 – MP 300



Modello MP 450

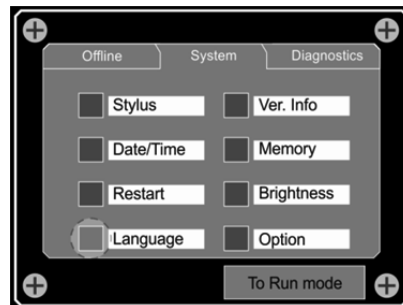
6.2. Selezione della LINGUA

Il sistema HELIOX UV MP è configurato di fabbrica in lingua INGLESE. Se si desidera lavorare con una lingua diversa (FRANCESE, SPAGNOLO, ITALIANO, TEDESCO o PORTOGHESE), svolgere le seguenti operazioni.

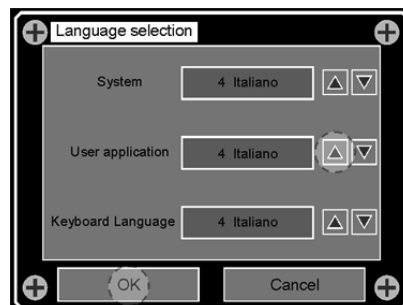
Per accedere ai menu di configurazione della schermata, cliccare sul tasto posto nel vertice superiore destro della schermata principale.



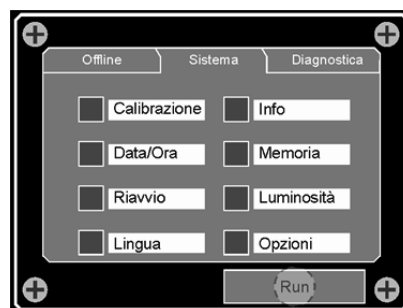
Sulla schermata "System" cliccare il tasto "Language".



Con i tasti del cursore, selezionare "Italiano" nei tre campi e cliccare sul tasto "OK" per terminare.



A partire da questo momento, tutte le schermate appariranno nella lingua selezionata "italiano". Per tornare alla schermata principale dell'applicazione, cliccare sul tasto "Modo esec.".



6.3. Configurazione DATA / ORA

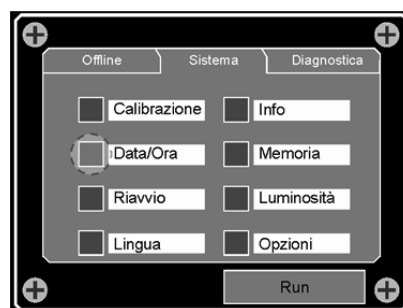
Se si è caricata la batteria minimo per sei ore consecutive prima di scollegare il sistema, le impostazioni dell'orologio continuano a funzionare fino a 30 giorni dopo aver scollegato il pannello di controllo. L'orologio con data/ora è nel formato 24 ore e tiene conto degli anni bisestili.

Per riconfigurare le impostazioni di DATA/ORO del sistema, procedere come segue.

Per accedere ai menu di configurazione della schermata, cliccare sul tasto posto nel vertice superiore destro della schermata principale.



Sulla schermata "System" cliccare il tasto "Data/ora".



Cliccare direttamente sul campo che si desidera modificare.

Introdurre il nuovo valore sulla tastiera virtuale che appare sullo schermo. Una volta introdotto, cliccare "Invio" per terminare.

Fare lo stesso con il resto dei campi che si desidera modificare.

Una volta impostata la data/ora del sistema, fare lo stesso per regolare il proprio "Fuso orario" e le impostazioni "DST" di cambiamento di orario automatico secondo il periodo dell'anno.

Cliccare il tasto "Accetta" per tornare alla schermata principale dell'applicazione.

Per trasferire i parametri di DATA/ORA introdotti nella schermata alla CPU del sistema, cliccare il tasto di convalida di DATA/ORA nella schermata principale dell'applicazione.



Attenzione



I restanti parametri della schermata vengono configurati di fabbrica e non si dovrebbero modificare senza la supervisione di un tecnico autorizzato da Astralpool.

6.4. Inizializzazione dell'impianto



AVVIAMENTO

Cliccare questo tasto per avviare la lampada a UV.

IMPORTANTE:



Se si verifica uno scollegamento brusco della lampada per qualsiasi motivo (arresto, allarme, ecc.), l'impianto non avvia la lampada immediatamente, ma esegue un processo di riaccensione controllato una volta ristabilite le sue condizioni di funzionamento, preservando così la propria integrità.

L'indicatore di riaccensione lampeggerà nella parte inferiore della schermata principale.



Una volta avviata la lampada, l'icona apparirà nella parte inferiore destra della schermata.

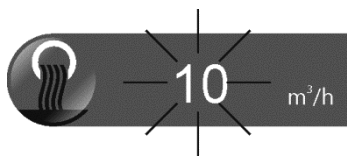
Progressivamente, il sistema regolerà il livello di uscita di potenza fino a raggiungere la radiazione impostata in funzione del modello installato.



ARRESTO

Cliccare questo tasto per spegnere la lampada a UV.

6.5. Gestione degli allarmi

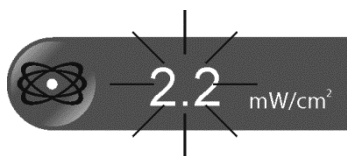


MANCANZA DI PORTATA

Ogniqualvolta il sensore di flusso installato rilevi una portata d'acqua insufficiente all'interno del reattore UV, il sistema scollega la lampada a UV e l'indicazione di "Portata" della schermata principale lampeggia.

ATTENZIONE:

Una volta ristabilita la portata d'acqua, il sistema si riavvia automaticamente.

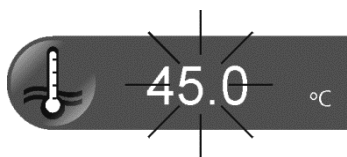


RADIAZIONE BASSA

Ogni volta che il sensore di radiazione installato nel reattore UV rileva un valore troppo basso per garantire una dose di 60 mJ/cm², anche quando la lampada funziona al 100% della sua potenza nominale, il sistema scollega la lampada a UV e l'indicazione di "Radiazione" della schermata principale lampeggia.

ATTENZIONE:

Per evitare che si verifichi questa situazione prematuramente, è conveniente azionare periodicamente il dispositivo di pulizia manuale della guaina di quarzo.



TEMPERATURA DELL'ACQUA ELEVATA

Ogni volta che il sensore di temperatura installato nel reattore UV rileva una temperatura dell'acqua superiore a 113 °F (45 °C), il sistema scollega la lampada a UV e l'indicazione di "Temperatura" della schermata principale lampeggia.

TEMPERATURA INTERNA ECCESSIVA NEL PANNELLO DI CONTROLLO:

Il pannello di controllo è progettato per lavorare sempre a una temperatura interna inferiore a 113 °F (45 °C). Se per qualsiasi motivo (temperatura ambiente eccessiva, errore del ventilatore di refrigerazione interno, ecc.) la temperatura raggiungesse valori superiori, il sistema scollega automaticamente l'alimentazione della lampada a UV; il ventilatore di refrigerazione interno rimane acceso fino a quando la temperatura si abbassa.

L'indicatore di surriscaldamento lampeggia nella parte superiore della schermata principale.

ATTENZIONE:

Il controllo di temperatura del pannello di controllo si effettua mediante il termostato [F0] situato al suo interno, per cui in nessun caso si deve modificare la temperatura impostata su 113 °F (45 °C) della configurazione di fabbrica.

Una volta risolto il problema, sarà necessario riavviare il sistema cliccando sul tasto di AVVIAMENTO.

ALLARME ATTIVO / REGISTRO DI ALLARMI

Ogni volta che il sistema rileva un allarme attivo, la lampada a UV si scollega.

Il sistema non ne consentirà la reinizializzazione finché non cessa la condizione di allarme e l'utente effettua un'ispezione cliccando sull'icona.

Cliccando sull'icona, sullo schermo compare una lista con tutti gli allarmi che rimangono attivi in quel momento.



Messaggio	Data	Ora
✓ TEMPERATURA RADIATORE	11/23/2011	06:37:43
TEMPERATURA ACQUA	08/20/2011	10:24:23
FLUSSO	07/19/2011	08:23:54
BASSA RADIAZIONE	04/10/2011	04:12:13



Se si clicca sul pulsante di accesso al registro degli allarmi posto nella parte superiore del menu, è possibile visualizzare tutti gli allarmi rilevati dal sistema dal suo collegamento.



Per uscire da questa schermata basterà cliccare sui cursori situati nella parte superiore dello schermo.

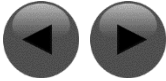


6.6. Diagnosi del circuito di alimentazione della/e lampada/e UV.



Cliccando il tasto di "Diagnosi", il sistema accede a una schermata di diagnosi sia del ballast elettronico che del circuito di alimentazione della lampada a UV.

Questa schermata dà informazioni molto dettagliate sul funzionamento del ballast elettronico, di modo che, in caso di cattivo funzionamento o guasto, sia facile individuarne l'origine.



I tasti di navigazione situati nella parte superiore della schermata consentono l'accesso alle diverse schermate di diagnosi e configurazione.



Attenzione

Ogni volta che si attiva un allarme nel ballast elettronico, quest'ultimo si bloccherà fino a quando non si preme il tasto "RESET".

INATTIVAZIONE DI UNO DEI CIRCUITI DI ALIMENTAZIONE DELLA LAMPADA IN SISTEMI MULTI-LAMPADA



Nei sistemi multi-lampada (MP450) è possibile annullare uno dei circuiti di alimentazione delle lampade se per determinate circostanze fosse necessario farlo (per es., lasciare in servizio il sistema in attesa di sostituzione di una delle lampade, ecc.). A tal fine, basta entrare nella schermata di diagnosi della relativa lampada e cliccare sull'icona. Quando il circuito di alimentazione è disattivato, l'icona lampeggia in giallo. Per riattivare il circuito, basterà cliccare nuovamente sull'icona. L'icona tornerà quindi al suo colore normale, ossia verde.

6.7. Registro degli eventi del sistema



Per accedere al registro degli eventi del sistema, cliccare il tasto "Diagnosi". Il sistema accede alla schermata di diagnosi sia del ballast elettronico che del circuito di alimentazione della lampada a UV analizzato nel paragrafo 5.6.



Cliccando sul tasto di navigazione posto nella parte superiore destra dello schermo, si accede alla schermata di registro di determinati eventi del sistema dal collegamento.



Tale registro si cancella automaticamente ogni volta che il sistema si scollega dalla rete (solo in versioni di firmware precedenti alla 11102-XXX e 11202-XXX).

6.8. Configurazione di parametri ausiliari del sistema

La schermata di "Configurazione" consente di modificare vari parametri ausiliari del sistema.



Per accedere alla schermata di "Configurazione", cliccare il tasto "Diagnosi". Il sistema accede alla schermata di diagnosi sia del ballast elettronico che del circuito di alimentazione della lampada a UV analizzata nel paragrafo 6.6.



Cliccando varie volte sul tasto di navigazione posto nella parte superiore destra dello schermo, si accede alla schermata di "Configurazione".



DIAMETRO INTERNO DELLA CELLULA DI FLUSSO

La schermata di configurazione consente di modificare il diametro della cellula di flusso. A meno che sia necessario cambiare la posizione del rilevatore di portata dalla posizione di default nel reattore UV a un altro punto dell'impianto perché gli intervalli di portata rilevati non rientrano nell'intervallo di rilevazione del sensore (5-100 cm/s), questo parametro coinciderà sempre con il diametro interno del reattore UV, non essendone pertanto necessaria la modifica.

MP 50 – MP 140	MP 300 – MP 450
10,51" (267 mm)	13,78" (350 mm)

Per modificare questo parametro, cliccare sul valore attuale. Apparirà una tastiera virtuale in cui si dovrà introdurre il nuovo diametro in millimetri. Cliccare "Invio" per terminare.



ATTIVAZIONE DEL CONTROLLO DI RADIAZIONE PER FLUSSO

Diversamente dalla maggior parte delle apparecchiature sul mercato, i sistemi UV-MP gestiscono due parametri quando si deve stabilire la potenza della lampada: radiazione rilevata dal sensore UV-C e portata. In tal modo il sistema stabilisce una radiazione nominale per ogni modello, che viene determinata dalla portata massima da trattare per garantire una dose di 60 mJ/cm². Se la portata da trattare è inferiore a quella nominale, lo sarà anche la radiazione necessaria, per cui il sistema diminuirà la potenza ottimizzando il consumo elettrico e incrementando la durata della lampada. Come le apparecchiature precedenti, se la radiazione diminuisce a causa di perdite di efficienza della lampada, torbidezza, ecc., il sistema regolerà la potenza della lampada.

ATTENZIONE:

In nessun caso la potenza di uscita della lampada sarà inferiore al 70% della sua potenza nominale.

Per attivare/disattivare il controllo di flusso, cliccare su quest'area. Quando il controllo di flusso è attivato, l'indicatore verde lampeggerà.



CONFIGURAZIONE DEI PARAMETRI DI FABBRICA

Mediante l'introduzione di determinati codici e password, il sistema consente anche di configurare determinati parametri di funzionamento disponibili solo per il personale di fabbrica o di assistenza tecnica.

7. MANUTENZIONE:



Prima di procedere all'installazione o sostituzione di qualsiasi componente del sistema UV, verificare che sia stato prima scollegato dalla tensione di alimentazione e che non sia presente flusso d'acqua. Utilizzare esclusivamente i ricambi forniti da AstralPool.



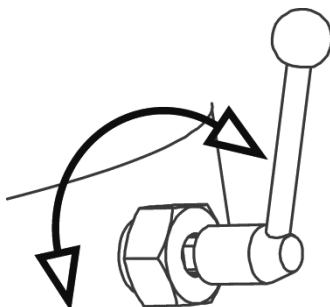
Non manipolare la lampada a UV fino a quando non è completamente fredda.

7.1. Pulizia meccanica della guaina di quarzo

FREQUENZA:

- Pulire la guaina di quarzo almeno UNA VOLTA AL GIORNO.

La pulizia della guaina di quarzo nelle apparecchiature dotate di WIPER MANUALE deve essere eseguita regolarmente per evitare la formazione di residui sulla superficie. A tale scopo, basta azionare la leva posta sul corpo del reattore UV spostandola lungo tutto il suo percorso (circa $\pm 90^\circ$).



7.2. Sostituzione della lampada a UV

FREQUENZA:

- La sostituzione della lampada a UV dovrebbe effettuarsi ogni volta che il sistema attiva l'ALLARME DI RADIAZIONE, e la pulizia mediante il dispositivo manuale del reattore non è efficace.
- Quando i livelli di CLORO COMBINATO della piscina sono alti in modo anomalo:

PROCEDIMENTO:

- 1.- Smontare le parti frontali delle scatole di collegamento della lampada svitando le quattro viti che le fissano al corpo del reattore UV.
- 2.- Scollegare la lampada dai terminali delle due scatole di collegamento.
- 3.- Svitare i dadi di fissaggio in entrambi i lati della lampada.
- 4.- Estrarre le boccole di chiusura teflonate di entrambi i lati.
- 5.- Estrarre completamente la lampada fissandola da una delle sue estremità di ceramica senza applicare alcuna torsione.

Attenzione



Manipolare sempre la lampada a UV con guanti poiché il grasso e altre impurità depositatesi sulla superficie potrebbero diminuirne la resa e la durata. Qualora si rendesse necessario pulire la superficie della lampada, utilizzare un panno morbido imbevuto di alcol.

- 6.- Introdurre la nuova lampada nella guaina di quarzo senza stirarla, afferrandola sempre da una delle sue estremità di ceramica.
- 7.- Collocare le boccole di chiusura teflonate di entrambi i lati nella posizione iniziale.
- 9.- Avvitare i dadi di fissaggio in entrambi i lati della lampada.
- 10.- Rimontare le parti frontali delle scatole di collegamento nella posizione iniziale di modo da fissarle bene con le viti.



Attenzione

Ogni volta che si sostituisce una lampada sarà necessario riavviare il contatore orario dell'unità. A tale scopo, ricollegare il sistema all'interruttore generale situato nella parte frontale del pannello di controllo e procedere nel seguente modo:



Per accedere alla schermata di "Configurazione", cliccare il tasto "Diagnosi". Il sistema accede alla schermata di diagnosi sia del ballast elettronico che del circuito di alimentazione della lampada a UV analizzata nel paragrafo 6.6.



Cliccando varie volte sul tasto di navigazione posto nella parte superiore destra dello schermo, si accede alla schermata di "Reset Lampada". Nel caso di sistemi multi-lampada (MP450), si dovrà selezionare la schermata relativa alla lampada sostituita. Effettuare questa procedura in tutte le schermate nel caso si sostituiscano tutte le lampade dell'unità.

Questa schermata consente di riavviare il contatore delle ore di funzionamento e il numero di accensioni della lampada ogni volta che viene sostituita con una nuova.



A tale scopo, cliccare sul codice di attivazione e, mediante la tastiera virtuale, introdurre il codice "1234".



Cliccare il tasto "Reset" per convalidare.

Il contatore orario mostrerà ora il valore "0".

7.3. Pulizia chimica / sostituzione della guaina di quarzo

FREQUENZA:

- È necessario verificare, almeno UNA VOLTA ALL'ANNO, che la guaina di quarzo non contenga alcun tipo di residuo sulla superficie (calce, ferro, manganese, materia organica, ecc.).
- In qualsiasi caso, pulire la guaina di quarzo OGNI VOLTA CHE SI SOSTITUISCE LA LAMPADA A UV.

PROCEDIMENTO:

SMONTAGGIO DELLA GUAINA DI QUARZO

- 1.- Seguire il procedimento descritto nel paragrafo 7.1 per estrarre la lampada dall'interno della guaina di quarzo.
- 2.- Durante il processo di pulizia della guaina, verificare che la lampada sia stata riposta in un luogo sicuro per evitare che la sua superficie si sporchi o si rompa.

Importante



Manipolare sempre la guaina di quarzo con guanti poiché il grasso e altre impurità depositatesi sulla superficie potrebbero diminuire la resa della lampada. Qualora si rendesse necessario pulire la guaina, utilizzare un panno morbido imbevuto di alcol.

- 3.- Utilizzando la parte posteriore della boccola teflonata, spingere con attenzione la guaina di quarzo da una delle estremità e farla scivolare dolcemente fino a che la guarnizione torica di questo lato si libera.
- 4.- Estrarre completamente la guaina di quarzo dall'altra estremità evitando qualsiasi torsione.
- 5.- Estrarre con attenzione la guarnizione torica da questa parte della guaina di quarzo.
- 6.- Se si nota che la guaina è totalmente trasparente, riporla nella sua sede così come descritto di seguito.
- 7.- Nel caso fosse necessaria la pulizia della guaina di quarzo, utilizzare sempre un panno morbido inumidito di aceto bianco o di un acido diluito.

SMONTAGGIO DELLA GUAINA DI QUARZO

- 8.- Con l'aiuto della leva di azionamento, spostare il meccanismo di pulizia della guaina verso il lato destro del reattore (visto dal lato dei sensori), da cui si introduce poi la guaina.
- 9.- Introdurre la guaina nel primo disco di pulizia del meccanismo fino a che raggiunge il secondo disco di pulizia.
- 10.- Spostare il meccanismo fino all'altra estremità del reattore e spingere con una mano la guaina guidandola sempre con un dito dell'altra mano, di modo da introdurla nel secondo disco di pulizia, cercando sempre di non sottoporla a torsione.
- 11.- Centrare la guaina di modo che fuoriesca da entrambi i lati della sua sede.
- 12.- Inumidire leggermente le guarnizioni toriche e collocarle nella posizione iniziale, in modo che si inseriscano leggermente in entrambi i lati della guaina.
- 13.- Collocare le boccole di chiusura nelle rispettive sedi e, con molta attenzione, mettendo il palmo della mano sulla boccola, premere fino a che le guarnizioni vengano introdotte definitivamente nella loro sede. In questa posizione la guaina fuoriesce alcuni millimetri dalla guarnizione torica.
- 14.- Rimontare la lampada come descritto nel paragrafo 7.1.

7.4. Sostituzione delle guarnizioni di tenuta in contatto con la guaina di quarzo

FREQUENZA:

- Sostituire le guarnizioni in contatto con la guaina di quarzo **OGNI VOLTA CHE SI SOSTITUISCE LA LAMPADA A UV.**

PROCEDIMENTO:

Per sostituire le guarnizioni di tenuta della guaina di quarzo, seguire la descrizione del paragrafo 7.2

7.5. Pulizia del sensore UV-C

FREQUENZA:

- È necessario verificare, almeno **UNA VOLTA ALL'ANNO**, che la finestra di quarzo del sensore UV-C non contenga alcun tipo di residuo sulla superficie (calce, ferro, manganese, materia organica, ecc.).
- In qualsiasi caso, pulire il sensore UV-C **OGNI VOLTA CHE SI SOSTITUISCE LA LAMPADA A UV.**

PROCEDIMENTO:

- 1.- Scollegare il cavo di collegamento del sensore UVC-SE.
- 2.- Svitare ed estrarre il sensore UVC-SE dalla sede nel corpo del reattore UV.
- 3.- Se si nota che la finestra di quarzo è totalmente trasparente, riparla nella sua sede così come descritto di seguito. Nel caso fosse necessaria la pulizia della finestra di quarzo, utilizzare sempre un panno morbido inumidito di alcol.
- 4.- Posizionare e avvitare il sensore UVC-SE nella sua sede nel corpo del reattore UV.
- 5.- Ricollegare il cavo di collegamento del sensore.

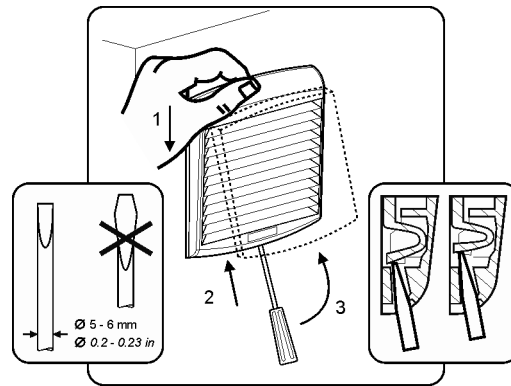
7.6. Controllo del funzionamento del ventilatore del pannello di controllo

FREQUENZA:

- È necessario verificare il funzionamento del ventilatore del pannello di controllo e all'occorrenza pulire le griglie di ventilazione e i relativi filtri almeno **UNA VOLTA ALL'ANNO**, o se si nota un'accentuata sporcizia.

PROCEDIMENTO:

- 1.- Smontare le griglie di protezione utilizzando un cacciavite adeguato, come mostrato nella seguente figura.



2.- Pulire e all'occorrenza sostituire i filtri di fibra che si trovano al loro interno.

3.- Rimontare le griglie nella loro posizione.

7.7. Controllo dell'isolamento e collegamenti del sistema

FREQUENZA:

- È necessario verificare l'interruttore differenziale situato all'interno del pannello di controllo almeno OGNI VOLTA CHE SI SOSTITUISCE LA LAMPADA A UV, cliccando sul pulsante TEST situato sulla parte frontale.
- È necessario verificare lo stato di tutti i collegamenti, in particolare le alimentazioni della lampada oltre al collegamento a terra, sia del pannello di controllo che del reattore UV, OGNI VOLTA CHE SI SOSTITUISCE LA LAMPADA A UV.

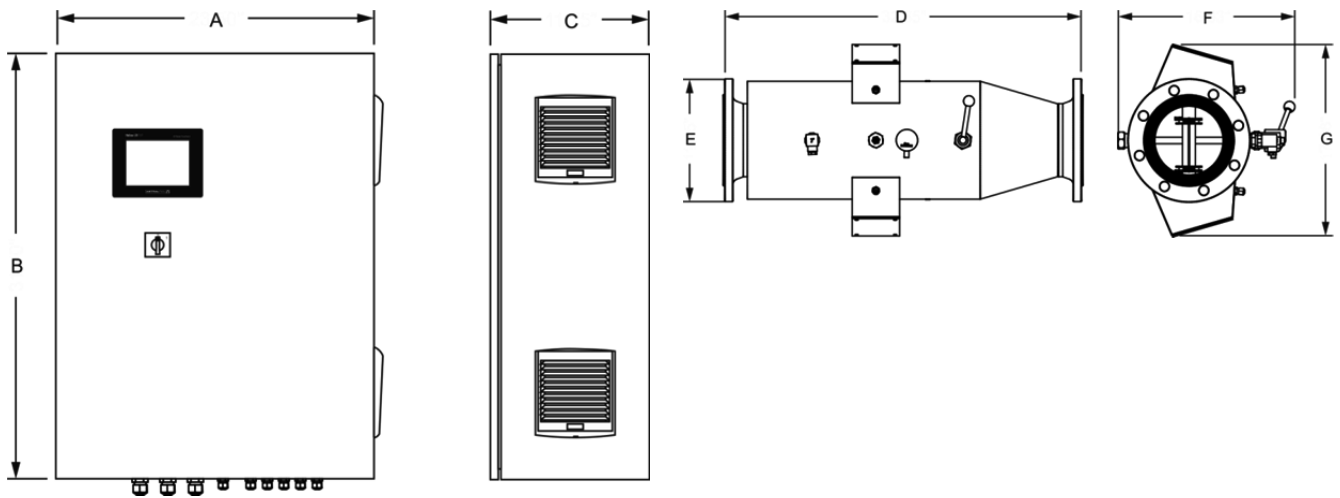
8. CARATTERISTICHE TECNICHE:

	UV MP 50 52200	UV MP 80 52201	UV MP 140 52202	UV MP 300 52203	UV MP 450 52204
Portata (@ 3-log reduction)	220 gpm 50 m ³ /h	350 gpm 80 m ³ /h	615 gpm 140 m ³ /h	1,320 gpm 300 m ³ /h	1,975 gpm 450 m ³ /h
Materiale					
Pannello di controllo	Metallico, rivestimento con resina poliesteri-epossidico RAL 7035 / IP-54				
Reattore UV	AISI-316L				
Dimensioni					
Pannello di controllo	31,5" x 23,6" x 11,8" 800 x 600 x 300 mm				
Reattore UV (lungh./diam.)	33,0" / 10,7" 838 / 273 mm			40,0" / 14,0" 1,017 / 356 mm	44,8" / 14,0" 1,138 / 356 mm
Flange Ingresso/Uscita	DN 150			DN 250	
Pressione max.	50 psi / 3,45 bar				
Perdita carico	0,02 psi @ 220 gpm 0,02 psi @ 50 m ³ /h	0,05 psi @ 350 gpm 0,05 psi @ 80 m ³ /h	0,13 psi @ 615 gpm 0,13 psi @ 140 m ³ /h	0,18 psi @ 1,320 gpm 0,18 psi @ 300 m ³ /h	0,44 psi @ 1,975 gpm 0,44 psi @ 450 m ³ /h
Tensione	240 V CA / 50-60 Hz. (monofase)				415/380/240/220 VAC 50-60 Hz. (trifase)
Potenza nominale (W)	700	1000	3000	3000	6000
Ballast elettronici	1	1	1	1	2
Potenza UV-C (W)	105	150	450	450	900
Lampade	1	1	1	1	2
Durata (ore)	8 000 ore				
Refrigerazione	Pannello: ventilatore + filtro Ballast: radiatore alluminio auto-ventilato				
Controllo schermo Radiazione Portata Temperatura Lampada	Schermo tattile a colori 3,4" TFT (320x240 pixel) 6 lingue Sensore UV-C Rilevatore portata (acciaio inox) Sensore temperatura (PT-100, acciaio inox). Alimentazione: corrente (A), tensione (V), consumo (W)				
Contatore orario	●	●	●	●	●
Registrazione allarmi	●	●	●	●	●
	●	●	●	●	●
Controllo riaccensione	●	●	●	●	●
Controllo input	Due (2) contatti a potenziale zero: portata e arresto remoto				

Dimensioni

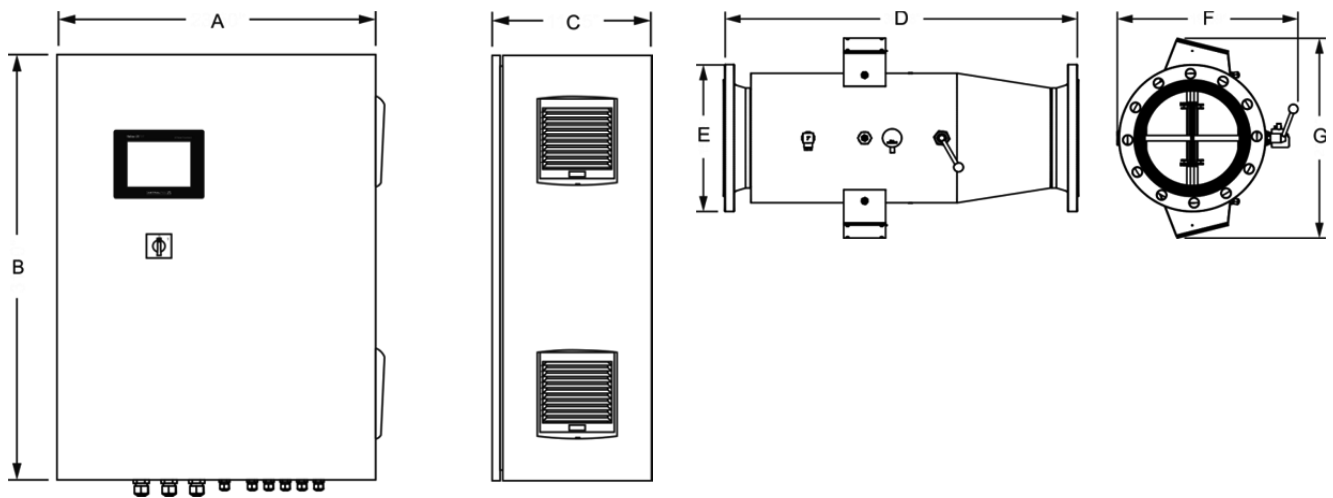
PANNELLO DI CONTROLLO

Modelli MP 50 – MP 140



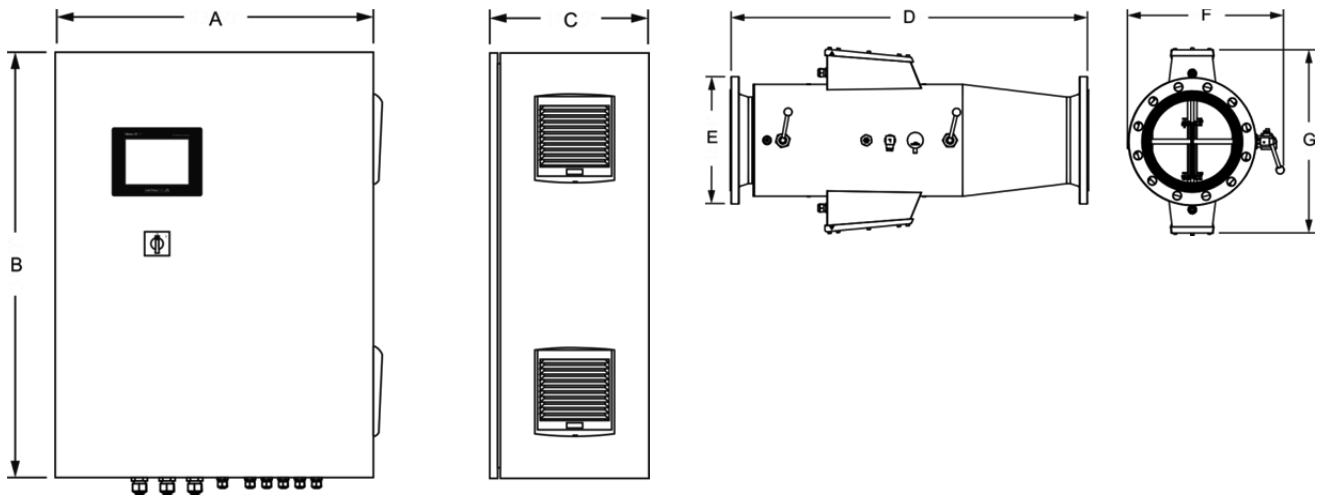
	A		B		C		D		E		F		G	
pollici mm	23,6	600	31,5	800	11,8	300	33,0	838	11,2	284	16,3	414	18,7	476

Modello MP 300



	A		B		C		D		E		F		G	
pollici mm	23,6	600	31,5	800	11,8	300	40,0	1017	15,9	404	19,5	496	17,6	446

Modello MP 450



	A		B		C		D		E		F		G	
pollici mm	23,6	600	31,5	800	11,8	300	44,8	1138	15,9	404	19,6	498	22,8	580

9. CONDIZIONI DI GARANZIA:

9.1. ASPETTI GENERALI

- 9.1.1. In conformità alle presenti disposizioni, il venditore garantisce che il prodotto cui si riferisce questa garanzia non presenta nessun difetto di conformità al momento della consegna.
- 9.1.2. Il periodo di garanzia totale è di 2 ANNI, eccetto per la lampada a UV, trattandosi di un materiale di consumo.
- 9.1.3. Il periodo di garanzia si calcola dal momento della consegna all'acquirente.
- 9.1.4. Se si verifica un difetto di conformità del prodotto e l'acquirente lo comunica al venditore nel periodo di garanzia, il venditore è tenuto a riparare o sostituire il prodotto a proprie spese nel luogo che egli consideri opportuno, purché ciò non sia impossibile o sproporzionato.
- 9.1.5. Se non è possibile riparare o sostituire il prodotto, l'acquirente può richiedere una riduzione proporzionale del prezzo o, se il difetto di conformità è sufficientemente importante, la risoluzione del contratto di compravendita.
- 9.1.6. Le parti sostituite o riparate in virtù della presente garanzia non prolungano la durata della garanzia del prodotto originale, tuttavia dispongono di garanzia propria.
- 9.1.7. Per potersi avvalere della presente garanzia, l'acquirente deve dimostrare la data di acquisizione e consegna del prodotto.
- 9.1.8. Trascorsi più di sei mesi dalla consegna del prodotto all'acquirente, se quest'ultimo adduce un difetto di conformità del prodotto deve dimostrare l'origine e l'esistenza del difetto addotto.
- 9.1.9. Il presente certificato di garanzia non limita né pregiudica i diritti spettanti ai consumatori in virtù di norme nazionali di carattere imperativo.

9.2. CONDIZIONI PARTICOLARI

- 9.2.1. Per potersi avvalere della garanzia, l'acquirente è tenuto a seguire scrupolosamente le indicazioni del fabbricante riportate nella documentazione allegata al prodotto, secondo quanto pertinente in funzione della gamma e del modello del prodotto.
- 9.2.2. Se viene specificato un calendario per la sostituzione, la manutenzione o la pulizia di determinati pezzi o componenti del prodotto, la garanzia è valida solo se ci si è attenuti correttamente a tale calendario.

9.3. LIMITI

- 9.3.1. La presente garanzia si applica solo alle vendite effettuate a consumatori; per "consumatore" s'intende chi acquista il prodotto con finalità che non rientrano nell'ambito della sua attività professionale.
- 9.3.2. Non viene prestata alcuna garanzia riguardo all'usura normale del prodotto, né riguardo ai pezzi, componenti e/o materiali sostituibili o di consumo (ad eccezione dell'elettrodo).
- 9.3.3. La garanzia non copre i casi in cui il prodotto (i) sia stato utilizzato in modo non corretto; (ii) sia stato sottoposto a ispezione, riparazione, manutenzione o manipolazione da parte di persone non autorizzate; (iii) sia stato riparato o sottoposto a manutenzione con pezzi non originali o (iv) sia stato installato o messo in funzione in modo non corretto.
- 9.3.4. Se il difetto di conformità del prodotto è riconducibile ad un'installazione o messa in servizio non corrette, la presente garanzia si applica solo se l'installazione o la messa in servizio sono comprese nel contratto di compravendita del prodotto e siano state eseguite dal venditore o sotto la responsabilità del venditore.
- 9.3.5. Danni o guasti del prodotto riconducibili ad una qualsiasi delle seguenti cause:
 - Guasto della lampada dopo 100 ore verificabili di funzionamento normale.
 - Impiego di prodotti chimici non esplicitamente autorizzati.
 - Rottura della guaina di quarzo.
 - Funzionamento del sistema a pressioni superiori a 50 psi (3,45 bar).
 - Funzionamento a tensione inadeguata o cablaggio errato di un elemento qualsiasi.
 - Esposizione ad ambienti corrosivi e/o temperature inferiori a 2 °C (36 °F) o superiori a 40 °C (104 °F).

VIKTIGT: Bruksanvisningen som du håller i innehåller viktig information om säkerhetsåtgärderna som måste implementeras för att installera och starta upp. Därför måste både installatör och användare läsa instruktionerna innan installation och start påbörjas. Spara bruksanvisningen för framtida referens.



Kassering av elektriska och elektroniska hushållssystem i EU.

Alla produkter som är märkta med denna symbol indikerar att produkten inte ska blandas med hushållsavfall när de är förbrukade. Det är användarens ansvar att eliminera denna typ av avfall genom att lämna in dem till en återvinningsstation för selektiv kassering av elektriskt och elektroniskt avfall. Lämplig återvinning och behandling av detta avfall bidrar på ett väsentligt sätt till att bevara miljön och användarnas hälsa. För mer information om återvinningsstationer av denna typ av avfall, kontakta återförsäljaren där du köpte produkten eller kommunen.

För att behandlingssystemet HELIOX UV MP ska fungera optimalt, rekommenderar vi att du följer instruktionerna nedan:

1. KONTROLLERA FÖRPACKNINGENS INNEHÅLL:

Följande delar ska finnas i förpackningen:

UV-reaktor.

Flödessensor: SI5004 + EVC005-kabel (5 m/16,4 ft.)⁽¹⁾.

Temperatursensor: MBT5250 + MBTC-05-kabel (5 m/16,4 ft.)⁽¹⁾ eller TM 4411+ EVC005-kabel (5 m/16,4 ft.)⁽¹⁾.

Strålningssensor: UVC-SE + EVC059-kabel (5 m/16,4 ft.)⁽¹⁾

Kontrollpanel.

Lampsladdar LP-035 x2 (5 m/16,4 ft.)⁽¹⁾ (på modell MP 50W ... MP 300W).

Lampsladdar LP-045 x2 (5 m/16,4 ft.)⁽¹⁾ (på modell MP 450W).

Bruksanvisning.

⁽¹⁾ Anpassade sladdlängder kan leveras på beställning.

2. ALLMÄNNA EGENSKAPER:

De bakteriedödande effekterna hos ultraviolett ljus (UV) med våglängder omkring 260 nm har varit väl kända i mer än 100 år. Dess användning har ökat under senare år eftersom det har många fördelar jämfört med kemiska desinfektionssystem. Eftersom virtuellt UV-ljus inte ändrar vattnets fysiska och kemiska sammansättning, är det mycket effektivt mot alla typer av mikroorganismer (alger, bakterier, virus, svamp, jäst osv.), vilket ytterligare minskar riskerna med att hantera och dosera potentiellt farliga kemikalier. UV-behandling minskar också nivåerna av kombinerat klor i vatten, och sparar däremot betydande mängder vatten genom att minska mängden av vatten och med vilken frekvens vattnet i en pool måste bytas.

Behandlingssystemet HELIOX UV MP garanterar såväl en bestämd klornivå i poolvattnet som poolvattnets sanitära kvalitet. Behandlingssystemet HELIOX UV MP fungerar när poolåterföringen (pump och filter) är igång.

HELIOX UV MP behandlingssystem är utformade och tillverkade med den senaste tekniken inom UV-behandling av vatten, och säkerställer därmed kontinuerlig drift och minimalt underhåll.

Kontrollarkitekturen som föreslås för HELIOX UV MP-systemen har flera funktioner som medger högsta tillförlitlighet, effektivitet och skalbarhet.

- Eftersom systemen inkorporerar både strålnings- och kalibrerade flödessensorer, tillåts kontinuerlig justering av lampeffekten, och optimerar därmed energiförbrukningen och hållbarheten. Kalibrerade sensorer kräver ingen åtgärd från användaren, vilket inte är fallet med tidigare utbud av UV-system.
- Till skillnad från tidigare utbud hanterar HELIOX UV MP-systemen två parametrar när lampeffekten ställs in, strålning mätt med sensor och flöde. Sålunda ställer systemet in en nominell strålning för varje modell, vilken bestäms av det maximala behandlingsflödet för att garantera en minimal desinfektionseffektivitet. Om flödet som ska behandlas är lägre än nominellt, kommer även den nödvändiga strålningen att vara det, så att systemen sänker lampans uteffekt, optimerar energiförbrukningen och ökar lampans hållbarhet. Precis som tidigare utbud, oavsett om strålningen minskar på grund av lampans lägre effektivitet, turbiditet osv., justerar systemet lampans effekt.
- Lampans effektsystem baseras på en elektronisk ballast som medger kontinuerlig drift med hög effektivitet (mer än 95 %).

3. CERTIFIERINGAR: _____

Utbudet av HELIOX UV MP-systems är certifierade för poolanvändning:

Certifierade produkter:

Versioner av manuella torkare: **MP-50, MP-80, MP-140, MP-300, MP450**
Versioner av automatiska torkare: **MP50W, MP80W, MP140W, MP300W, MP450W**

- **UL**

- UL 1081, Swimming Pool Pumps, Filters and Chlorinators, Sixth Edition dated January 29, 2008 (including revisions through November 29, 2011).
- UL 1563, Electric Spas, Equipment Assemblies, and Associated Equipment, Sixth Edition dated July 16, 2009 (including revisions through August 25, 2011).
- CAN/CSA C22.2 No. 108-01, Fourth Edition, Update No.2 dated March, 2003.
- CAN/CSA C22.2 No. 218.1-M89, First Edition, Update No.4 dated March 2010 (Reaffirmed 2011).

- **NSF**

- Certifierade enligt NSF-50-standard.
- Denna enhet har uppvisat en förmåga att tillhandahålla 3 log-reducering eller inaktivering av *Enterokocker* (*Enterococcus faecium* [ATCC #6569] och *anaeroba bakterier* (*Pseudomonas aeruginosa*) [ATCC #27113]).
- Denna enhet har visat en förmåga att tillhandahålla 3 log-reducering eller inaktivering av kryptosporidios (*Cryptosporidium*).
- Denna produkt är utformad för kompletterande desinfektion och avsedd att användas med passande restriktioner av EPA-registrerade desinfektionskemikalier. Specifika restriktioner av EPA-registrerade desinfektionskemikalier kan erhållas från berörd tillsynsmyndighet.

- **EG försäkran om överensstämmelse**

Produkterna ovan uppfyller följande krav:

- Lågspänningsdirektiv 2006/95/EC.
- Direktivet för elektromagnetisk kompatibilitet 2004/108/EC.
- Direktivet ROHS 2011/65/EC.

I.D. ELECTROQUIMICA, S.L.
Pol. Ind. Atalayas, c./ Dracma R-19
E-03114 Alicante
Spanien

Gaspar Sánchez
General Manager

VIKTIGA SÄKERHETSANVISNINGAR

VARNING: vid installation och användning av elektrisk utrustning måste grundläggande säkerhetsåtgärder alltid följas, inklusive följande:

LÄS OCH FÖLJ ALLA INSTRUKTIONER

Det finns en gul-grön ledningskontakt som är märkt \oplus (*) på enheten, för att ansluta en solid kopparledare som är minst nr. 8 AWG för US (UL) en nr. 6 AWG för Kanada (CSA) mellan enheten och annan metallutrustning, metallhölje till elektrisk utrustning, vattenledning eller rör av metall inom 1,5 m (5 f.) från enheten.

Det finns två jordanslutningar som är märkta \oplus (*) på UV-kammarens ändflänsar för nr. 8 AWG (USA) och nr. 6 AWG (Kanada) och fastsatta i kammaren med färgknäckande mellanbricka och mutter.

(*) IEC 60417, symbol 5019

Denna produkt måste anslutas till en jordfelsbrytare.

Pool slutanvändning. Använd inte systemet för andra ändamål än vad det tillverkats för.

Utrustningen ska installeras och hanteras av korrekt utbildade personer.

Gällande lagstiftning för elektriska installationer och förebyggande av olycksfall ska följas.

Under inga förhållanden ska tillverkaren hållas ansvarig för montering, installation, start eller någon hantering av eller isättning av komponenter, såvida de inte görs på den egna anläggningen.

Kontrollera att alla elektriska anslutningar är åtdragna för att undvika falska kontakter och därmed sammanhängande överhettning.

Montera kontrollpanelen så att kylgallren inte hindras.



Endast för inomhusbruk. Denna enhet är inte avsedd för användning utomhus.



Före installationen eller bytet av systemkomponenter måste enheten först kopplas ifrån elnätet och inget vatten får flöda igenom den. Använd enbart reservdelar från AstralPool.



Ta aldrig bort kvartshylsans låsmutter när vattnet återcirkulerar genom UV-reaktorn eftersom den kan drivas ut och orsaka skada.



UV-ljuset som genereras av utrustningen kan orsaka allvarliga skador om ögon och hud exponeras direkt för lampan. Anslut aldrig systemet när lampan inte är i reaktorn.



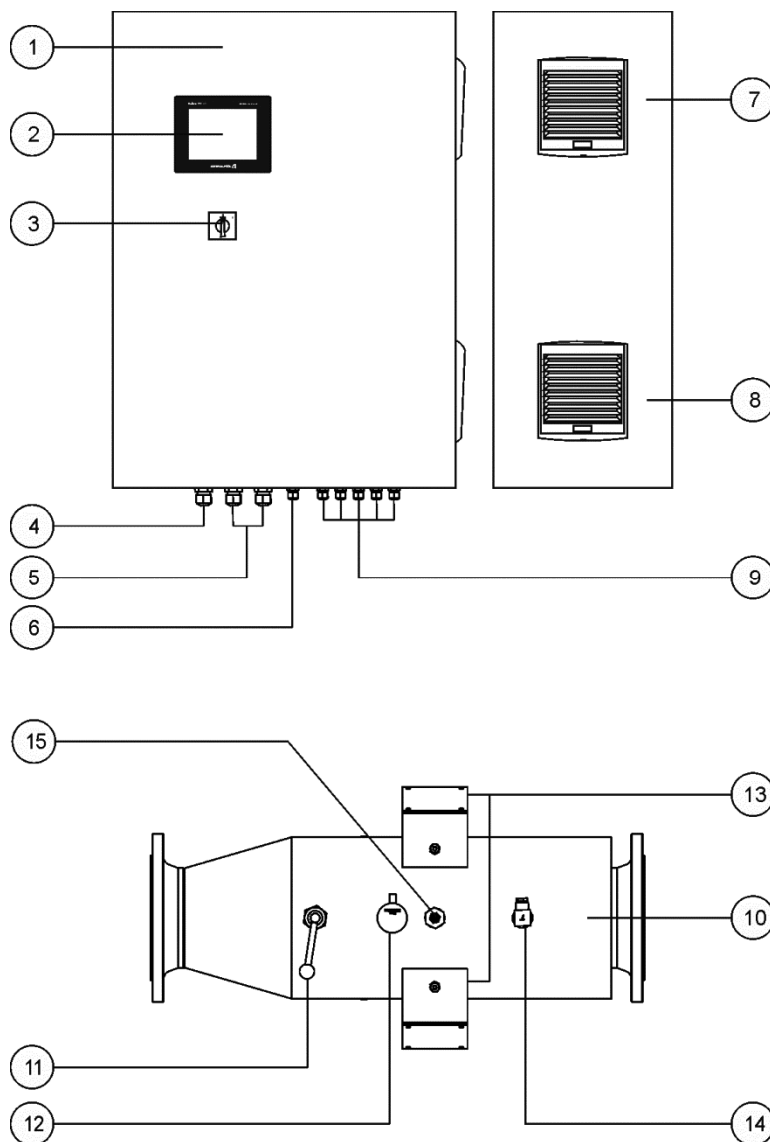
Hantera aldrig UV-lampan förrän den har svalnat helt.



Hantera alltid UV-lampan med handskar på, eftersom fett och andra orenheter som fastnar på ytan kan minska prestandan och hållbarheten. Om lampans yta måste rengöras ska du använda en mjuk trasa som blötats i alkohol.

SPARA INSTRUKTIONERNA

4. SYSTEMBESKRIVNING:



- | | |
|--|---|
| 1.- Kontrollpanel. | 9.- Ingångskontakter för sensorkablar. |
| 2.- Peksärm. | 10.- UV-reaktor. |
| 3.- Strömbrytare. | 11.- Kvarthylsrenare (version med manuell torkare). |
| 4.- Strömingångskontakt. | 12.- Flödessensor. |
| 5.- Utgångar för lampsladdar. | 13.- Anslutningsdosa för UV-lampa. |
| 6.- Utgång för UV-reAktorns jordkabel. | 14.- Temperatursensor. |
| 7.- Kylgaller/filter. | |
| 8.- Fläktgaller/filter. | |

5. INSTALLATION:

5.1. Allmänna övervägande

- För att garantera att systemets skick bevaras måste HELIOX UV MP-systemet installeras på en torr och väl ventilerad plats i teknikrummet. Skyddsnivån för HELIOX UV MP-system tillåter inte installation utomhus.
- Temperaturen på platsen för installationen måste vara mellan 2 °C (35 °F) och 42 °F (107°F), och den relativa fuktigheten får inte överskrida 80 %.
- Installera enheten så långt från förvaring av kemikalieprodukter och fuktkällor som möjligt.

Varning



Var uppmärksam på korroderande atmosfär som bildas på grund av pH-sänkande lösningar (speciellt sådana som baseras på hydriklorosyra "HCl"). Installera inte HELIOX UV MP-systemet nära förvaringar av dessa kemikalier. Vi rekommenderar starkt att man använder kemiakrier som baseras på natriumbisulfat eller utspädd svavelsyra.

5.2. Installation av UV-reaktor

Reaktorn i HELIOX UV MP-systemen kan monteras både horisontellt och vertikalt, som visas i bilden över rekommenderad installation (Fig. 1a/b).

Varning



Om UV-reaktor installeras horisontellt, måste lampan alltid befinna sig horisontellt mot marken, som om den installerats med lampan vertikalt, och om det är lågt flöde, kan en luftkammare bildas överst och därmed bli en del av den exponerade lampan. Med tanke på den höga arbetstemperaturen för medeltryckslampor är det lätt att förstå att denna situation alltid ska undvikas.

Om UV-reaktor monteras horisontellt måste sensorerna förbli i den övre delen.

Observera flödesriktningsindikationerna på UV-kammaren.

Reaktorn i HELIOX UV MP-systemen är tillverkade av rostfritt stål AISI 316 L där UV-lampan sitter. HELIOX UV MP-systemet ska alltid installeras efter filtreringssystemet, och före andra enheter i installationen som värmepumpar, kontrollsystem, doseringssystem, saltelektrolyssystem osv.

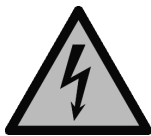
Installationen av UV-systemet ska göra det möjligt för användaren att enkelt komma åt UV-lampan. Placeringen av HELIOX UV MP-systemet måste ha ett effektivt mått som tillåter att UV-lampan tas bort helt från hylsan (ca 1 meter på vardera sidan om UV-lampans kopplingsdosor).

Vi rekommenderar starkt att man installerar HELIOX UV MP-systemet på en plats där röret enkelt kan isoleras från resten av installationen med två ventiler, så att underhållsarbetet kan utföras utan att man behöver tömma poolen helt eller delvis. Där systemet installeras på en sidoledning (rekommenderas), måste en ventil sättas i som reglerar flödet.

Varning



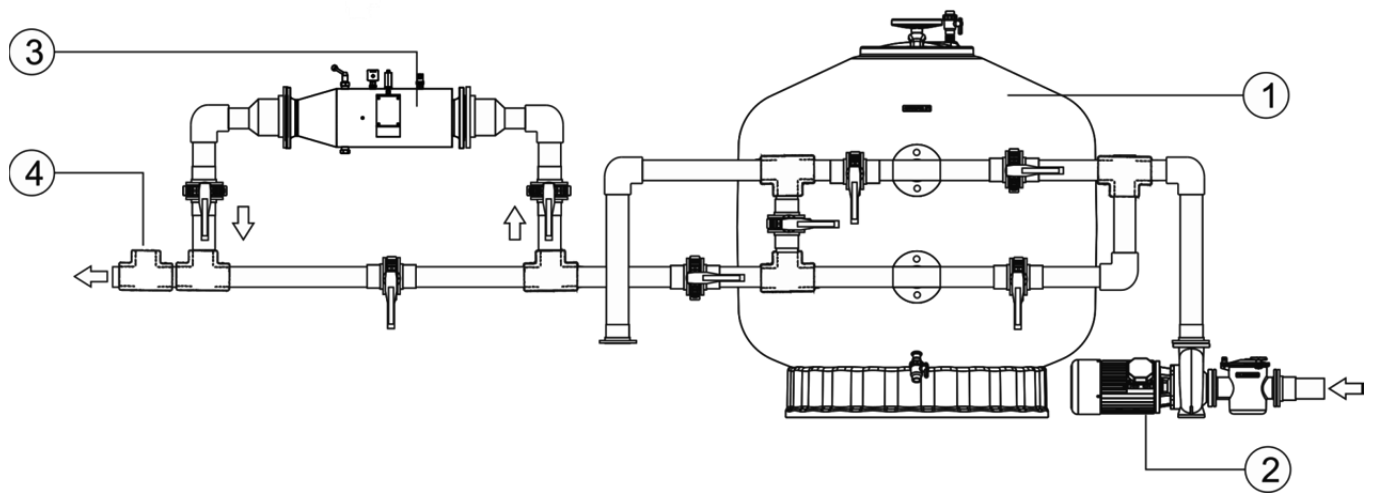
Före installationen eller bytet av systemkomponenter måste enheten först kopplas ifrån elnätet och inget vatten får flöda igenom den. Använd enbart reservdelar från AstralPool.



UV-kammaren måste jordas i de två jordanslutningarna som är märkta ⚡ (*) på ändflänsarna med nr. 8 AWG (USA) och nr. 6 AWG (Kanada) solid kopparledare och fästas med färgknäckande mellanbrickor och muttrar.

Bildtext

1. Filter.
2. Pump.
3. UV-reaktor.
4. Övrig utrustning (doseringspumpar, kontroller, värmeväxlare osv.).



VARNING

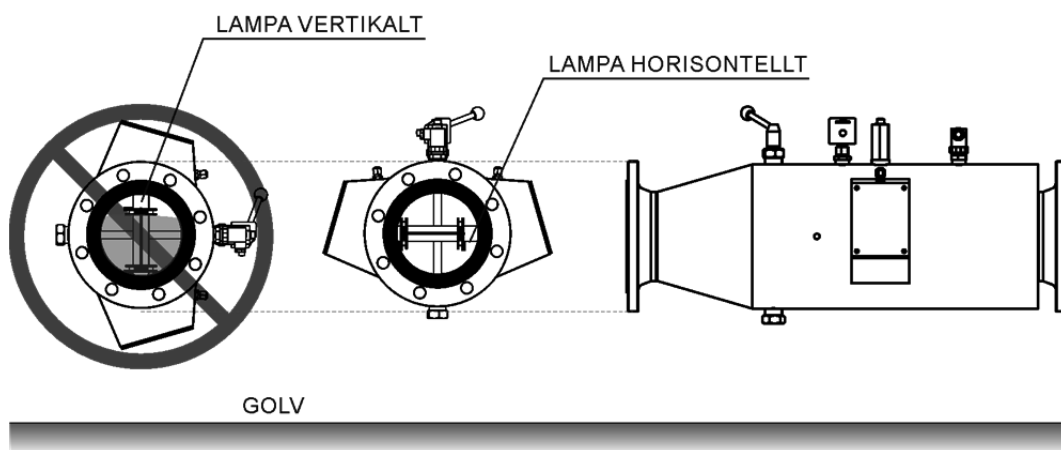


Fig.1a. HELIOX UV MP-system. Bild över rekommenderad installation (HORISONTELL).

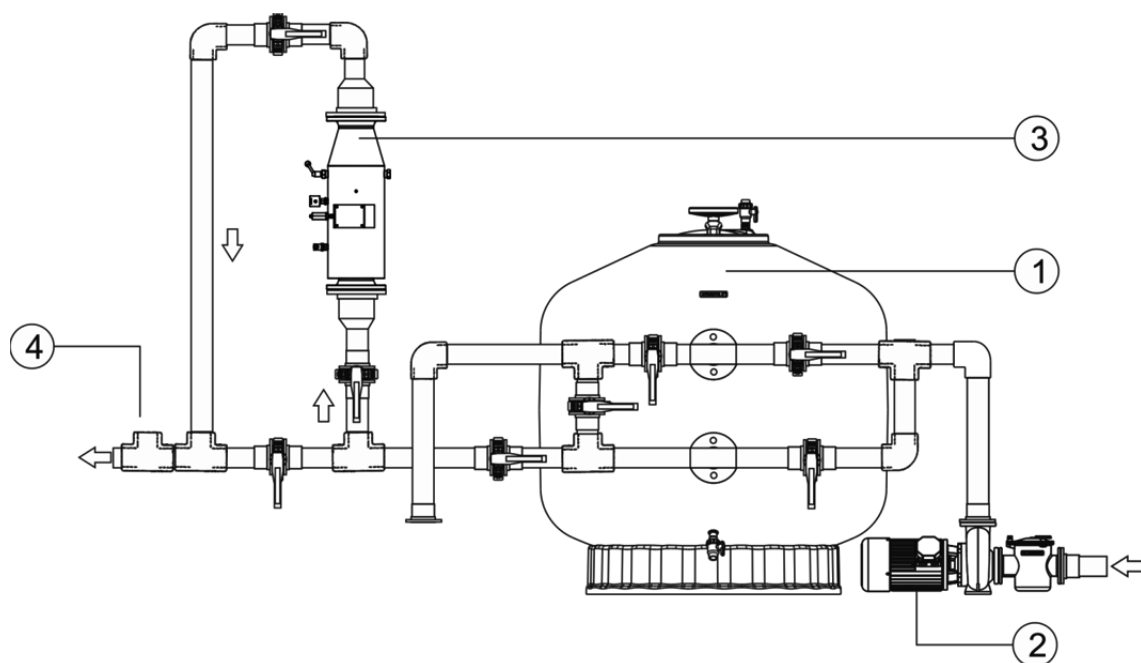


Fig.1b. HELIOX UV MP-system. Bild över rekommenderad installation (VERTIKAL).

5.3. Installation av kontrollpanelen

- Installera alltid HELIOX UV MP-systemet KONTROLLPANEL vertikalt och på en stabil yta (vägg), så att pekskärmen på frampanelen är i ögonhöjd.
- Kylfläktar och galler får inte blockeras.

Varning



Utrustningen ska monteras och hanteras av korrekt utbildade personer.

Gällande lagstiftning för elektriska installationer och förebyggande av olycksfall ska följas.

Gör inga försök att ändra driftsystemet till en annan spänning.

Både strömmen till HELIOX UV MP-systemets kontrollpanel och sammankopplingen mellan UV-lampan och sensorerna måste göras vid kopplingsplinten vid basen inuti kontrollpanelen. Kontrollpanelens bas har flera packboxar för korrekt fixering av strömkablarna och sensorerna. Längden eller sektionen av den kan ändras utan att först konsultera en auktoriserad tekniker från AstralPool.

Varning



Använd enbart kopparledare.

Fast ansluten.

KONTROLLPANEL: SCHEMA FÖR KOPPLINGSPLINT

MP 50 ... MP 300-modeller

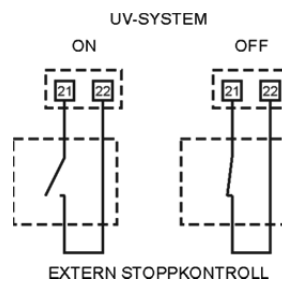
T.-block	Ineffekt för kontrollpanel	Kabel	Beskrivning av ledare
PE			JORD
1	EFFEKT 240 VAC / 50-60 Hz /1-fas	(1)	FAS
2			NEUTRAL
PE	UV-REAKTORBINDNING	(2)	JORD
3	UTEFFEKT FÖR UV-LAMPA	LP-035/1	RÖD
4		LP-035/2	RÖD
5	SW-11	LP-035/1	SVART "1"
6	SW-12		SVART "2"
7	SW-21	LP-035/2	SVART "1"
8	SW-22		SVART "2"
9			BRUN
10	SI5004 INEFFEKT FÖR FLÖDESSENSOR	EVC-005	VIT
11			BLÅ
12			VIT
13	INEFFEKT FÖR UVC-SE-STRÅLNINGSSENSOR	EVC059	BRUN
14			SVART
15			GRÅ
16	TM4411/MBT5250 INEFFEKT FÖR TEMPERATURSENSOR	EVC-005 eller MBTC-05	BRUN (eller blå)
17			VIT (eller grön)
18			BLÅ (eller röd)
19	INEFFEKT FÖR FLÖDESOMKOPPLARE	(3)	POTENTIALFRI KONTAKT
20			
21	INEFFEKT FÖR EXTERN STOPP	(4)	POTENTIALFRI KONTAKT
22			

(1) Medföljer inte enheten.

(2) Medföljer inte enheten. Bindning måste göras med en solid kopparledare, minst nr. 8 AWG (USA)/6 AWG (Kanada).

(3) Standard ingångsbrygga. Vi rekommenderar starkt att man kopplar ihop UV-systemet med återcirkulationspumpens kontaktor genom en av kontaktorna som INTE är en hjälpkontakt.

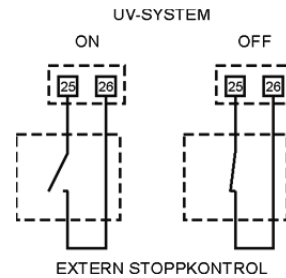
(4) Ineffektlogik



MP 450-modell

T.-block	Ineffekt för kontrollpanel	Kabel	Beskrivning av ledare	
PE			JORD	
2	EFFEKT 240 VAC / 50-60 Hz / 3-fas	(1)	FAS (R)	
3			FAS (S)	
4			FAS (T)	
PE			UV-REAKTORBINDNING	(2)
5	UTEFFEKT FÖR UV-LAMPA-1	LP-045/1-1	RÖD	
6		LP-045/2-1	RÖD	
7	UTEFFEKT FÖR UV-LAMPA-2	LP-045/1-2	RÖD	
8		LP-045/2-2	RÖD	
9	SW-11	LP-045-1	SVART "1"	
10	SW-12		SVART "2"	
11	SW-21		LP-045-2	SVART "1"
12	SW-22		SVART "2"	
13	SI5004 INEFFEKT FÖR FLÖDESSENSOR	EVC-005	BRUN	
14			VIT	
15			BLÅ	
16	INEFFEKT FÖR UVC-SE-STRÅLNINGSSENSOR	EVC059	VIT	
17			BRUN	
18			SVART	
19			GRÅ	
20	TM4411/MBT5250 INEFFEKT FÖR TEMPERATURSENSOR	EVC-005 eller MBTC-05	BRUN (eller blå)	
21			VIT (eller grön)	
22			BLÅ (eller röd)	
23	INEFFEKT FÖR FLÖDESOMKOPPLARE	(3)	POTENTIALFRI KONTAKT	
24				
25	INEFFEKT FÖR EXTERN STOPP	(4)	POTENTIALFRI KONTAKT	
26				

- (1) Medföljer inte enheten.
 (2) Medföljer inte enheten. Bindning måste göras med en solid kopparledare, minst nr. 8 AWG (USA)/6 AWG (Kanada).
 (3) Standard ingångsbrygga. Vi rekommenderar starkt att man kopplar ihop UV-systemet med återcirkulationspumpens kontaktor genom en av kontakterna som INTE är en hjälpkontakt.
 (4) Ineffektlogik



⁽¹⁾ **Minsta rekommenderade ledningsstorlek**

Modell	240 V/1-fas	240 V/3-fas
MP 50	3 x AWG 16 (3 x 1.50 mm ²)	Inte tillgänglig
MP 80	3 x AWG 16 (3 x 1.50 mm ²)	Inte tillgänglig
MP 140	3 x AWG 12 (3 x 4 mm ²)	Inte tillgänglig
MP 300	3 x AWG 12 (3 x 4 mm ²)	Inte tillgänglig
MP 450	Inte tillgänglig	3 x AWG 12 (3 x 4 mm ²)

5.4. Anslutning för UV-lampa

Anslut installerad(e) UV-lampa(or) i UV-reaktorn till motsvarande terminaler på kontrollpanelen med kablarna som medföljer enheten (LP-0XX) (se sidan 8-9). Det gör du genom att öppna anslutningsdosorna på vardera sidan av UV-reaktorn, och anslut ledningarna till motsvarande terminaler:

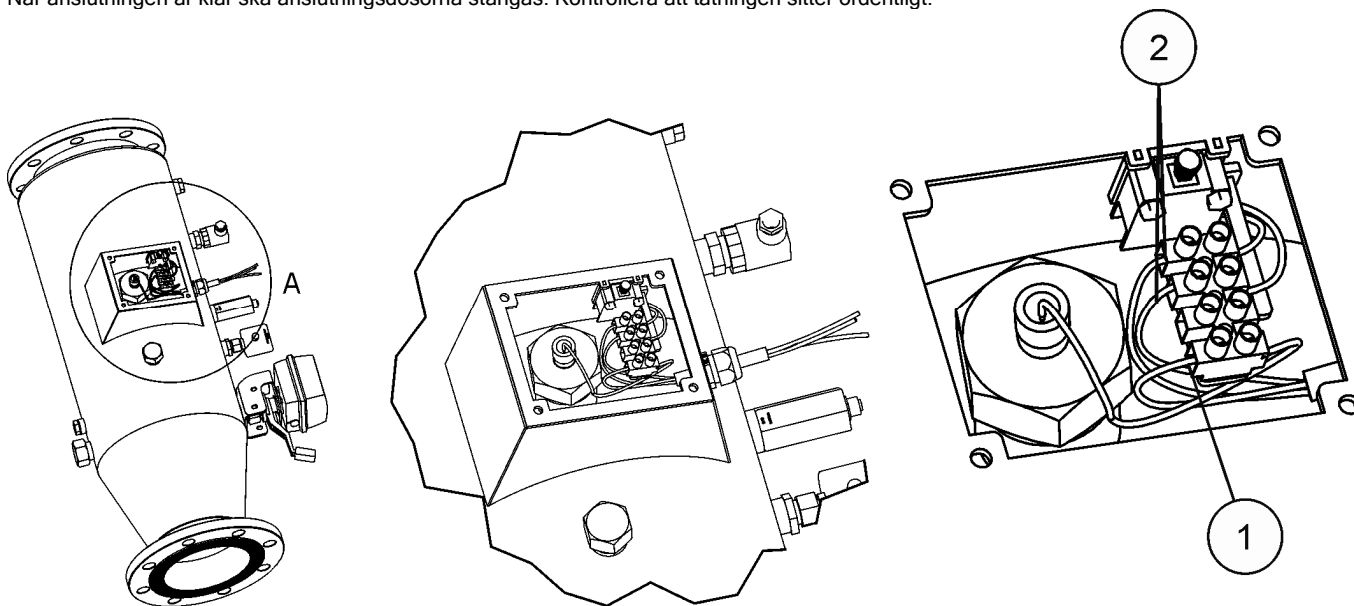
- 1.- Lampeffekt (röd).
2. Mikrobrytare (svarta ledningar, märkta med "1" och "2").

Varning

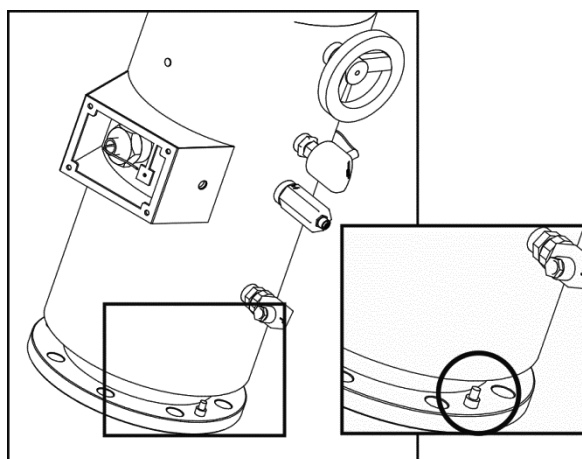


Enheten är utrustad med en automatisk mekanism för att stänga av strömmen till UV-lampan när höljet tas bort.

När anslutningen är klar ska anslutningsdosorna stängas. Kontrollera att tätningen sitter ordentligt.



Jordledningen ska också anslutas till TVÅ jordanslutningar som är märkta \oplus (*) på UV-kammarens ändflansar för nr. 8 AWG (USA) och nr. 6 AWG (Kanada) och fastsatta i kammaren med färgknäckande mellanbricka och mutter.



Varning



Före installationen eller bytet av systemkomponenter måste enheten först kopplas ifrån elnätet och inget vatten får flöda igenom den.

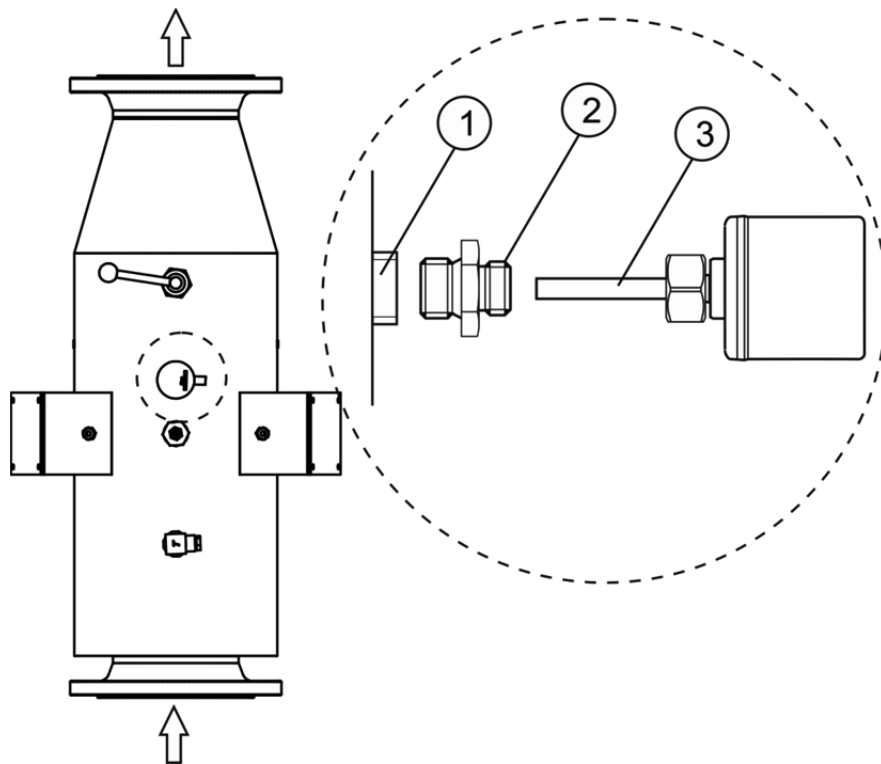


Kontrollera att alla elektriska anslutningar är åtdragna för att undvika falska kontakter och därmed sammanhängande överhettning.

5.5. Installation av flödessensor SI5004

Flödessensor SI5004 är en kalorimetrisk detektor som konverterar sitt svar i en analog 4/20 mA-signal. Uteffektsignalen motsvarar sensorns kurva. Lysdiodskenan på huvudet indikerar hastigheten på det relativa flödet inom detekteringsområdet. När det inte finns något flöde igen den, blinkar lysdiod "0". SI5004-sensorn kommer kalibrerad från fabriken (5 ... 100 cm/s) i vatten, så det är inte nödvändigt att kalibrera om vid installationen. Sensorns svarstid kan variera mellan 1 ... 10 sekunder.

Skruva fast den medföljande gängade E40096-adaptern på platsen som är märkt "FLÖDE" på UV-reaktors hölje. Skruva därefter på flödessensor SI5004 på adaptern.



1. Flödessensoringång "FLÖDE" på UV-reaktor.
2. E40096 gängad adapter M18-1/2".
3. SI5004 flödessensor.

Fig. 2

Anslut SI5004-sensorn till enheten med den medföljande EVC005-kabeln till motsvarande terminaler på kopplingsplinten i kontrollboxen. (se sidan 8-9).

5.6. Installation av strålningsensor UVC-SE

UVC-SE-sensorn som medföljer HELIOX UV MP-enheten tillhandahåller en robust och stabil mätning i realtid av UV-C-strålningen i vattendesinficeringsystem. Höljet i rostfritt stål ger en fantastisk stabilitet och korrosionsresistens. UVC-SE-sensorn levereras kalibrerad beträffande en PTB-referens. Den elektroniska kretsen inuti genererar en signal som överförs till systemets kontrollpanel.

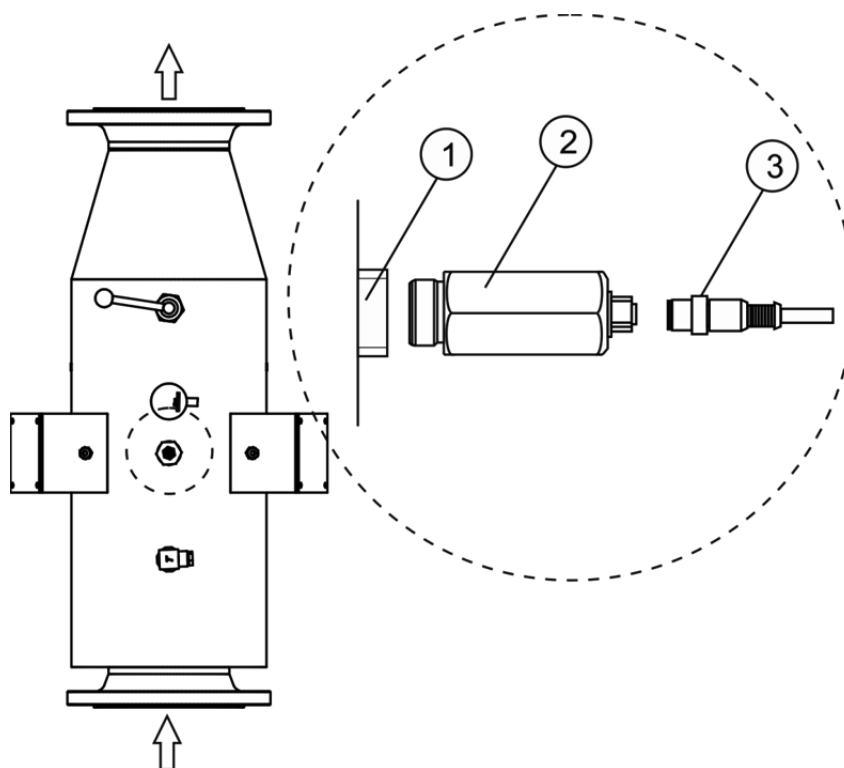
Varning



Hantera alltid UV-lampan med handskar på, eftersom fett och andra orenheter som fastnar på ytan kan minska prestandan och hållbarheten. Om lampans yta måste rengöras ska du använda en mjuk trasa som blötats i alkohol.

Skruva loss plastskärmen som skyddar sensorns fönster. Förvara skyddet på en säker plats för framtida underhållsarbete.

Skruva fast UVC-SE-sensorn på platsen som är märkt med **"UV-C"** på UV-reaktorns hölje.



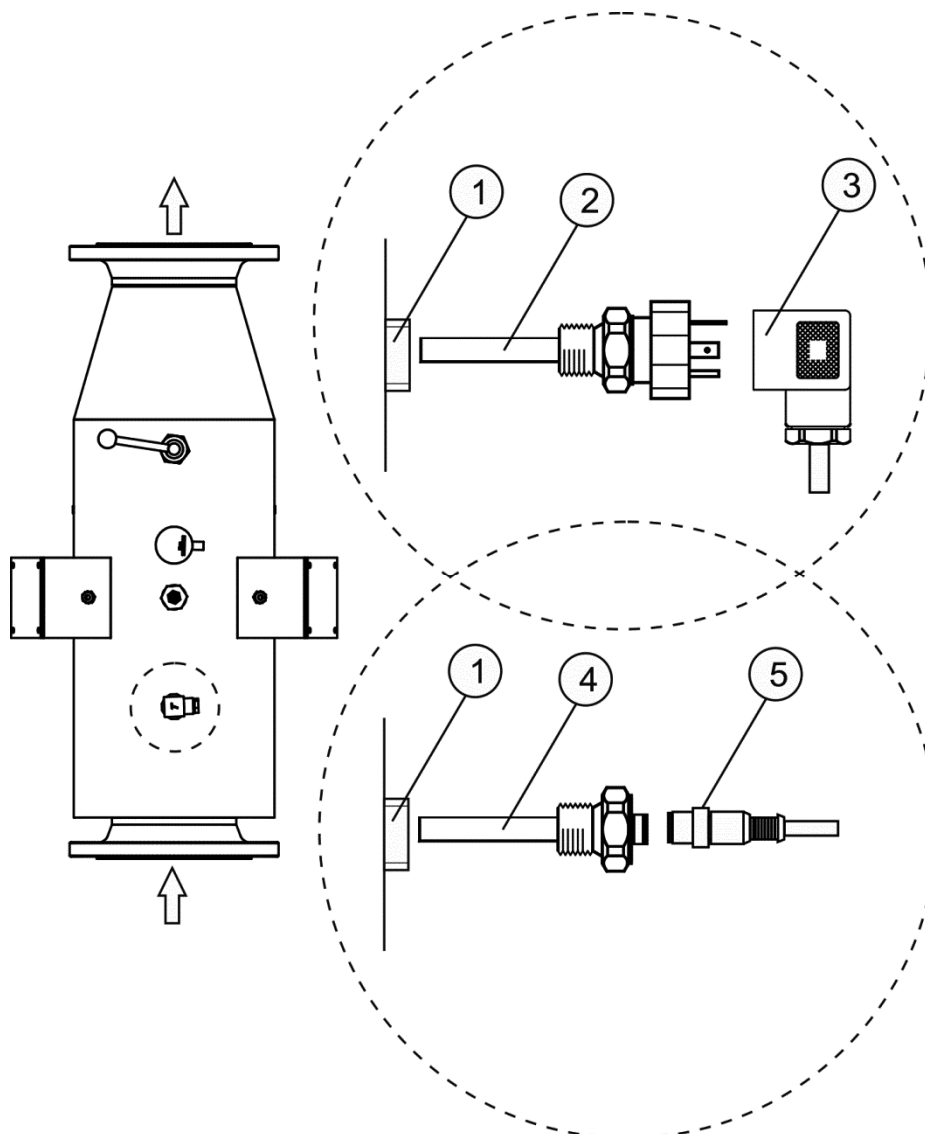
1. Strålningsensingång **"UV-C"** på UV-reaktor.
2. UVC-SE-strålningsensor.
3. UVC-05-kabel.

Fig. 3

Anslut UVC-SE-sensorn till enheten med den medföljande EVC059-kabeln till motsvarande terminaler på kopplingsplinten i kontrollboxen (se sidan 8-9).

5.7. Installation av temperatursensor TM4411 / MBT5250

Temperatursond TM4411/MBT5250 består av en Pt-100-sensor som omvandlar sitt svar i en analog 4/20 mA signal. TM4411/MBT5250-sensor kommer kalibrerad från fabriken så det är inte nödvändigt att göra någon kalibrering vid installationen.



	Konfiguration med MBT5250-sensor		Konfiguration med TM4411-sensor
1.	Temperatursensoringång "Temp." på UV-reaktorn.	1.	Temperatursensoringång "Temp." på UV-reaktorn.
2.	MBT5250 temperatursensor.	4.	TM4411 temperatursensor.
3.	MBTC-05-kabel.	5.	EVC005-kabel.

Fig. 4

Skruva fast MBT5250/TM4411-sensorns på platsen som är märkt med "TEMP" på UV-reaktorsn hölje.

Anslut MBT5250/TM4411-sensorn till enheten med den medföljande MBT-05/EVC005-kabeln till motsvarande terminaler på kopplingsplinten i kontrollboxen. (se sidan 8-9).

5.8. Kontroller och indikatorer

Behandlingssystemen HELIOX UV MP är utrustade med en pekskärm på kontrollpanelens framsida, vilken inkluderar en avancerad programvara som tillåter full kontroll över både behandlingsprocessen och UV-lampans ström. På frampanelen finns även strömbrytaren till systemet.

5.9. Start

1. Kontrollera att poolen är 100 % och att poolen och installationen inte innehåller koppar, järn eller alger.
2. Analysförhållandet av vattnet är mycket viktigt för att garantera att HELIOX UV MP-systemet fungerar med högsta effektivitet. Innan systemet startas ska följande parametrar kontrolleras, så att de befinner sig inom rekommenderade nivåer:

- Järn: mindre än 0,3 mg/liter
- Hårdhet: mindre än 120 mg/liter
- Turbiditet: mindre än 1 NTU.
- Mangan: mindre än 0,05 mg/liter
- TSS: mindre än 10 mg/liter
- UV-transmittans: högre än 75 %.

Om nivåerna för dessa parametrar överskrider de rekommenderade värdena, rekommenderar vi att man genomför en korrekt förbehandling för att korrigera dem.

3. Balansera poolvattnet. Det ger oss möjlighet att få en mer effektiv behandling med en lägre koncentration av fritt klor, och en lampa som fungerar längre liksom mindre kalkavlagringar på kvartsmuffen.

a) pH-värdet måste vara 7,2 - 7,6

b) Alkaliteten måste vara mellan 60-120 ppm.

4. Kontrollera att alla hydrauliska anslutningar är korrekt monterade, och att det inte läcker i någon av dem.

5. Låt vattnet återcirkulera i minst fem minuter för att släppa ut luft och smuts som kan finnas i UV-reaktorn.

6. Anslut systemet med strömbrytaren [2] på kontrollpanelens framsida.

Varning

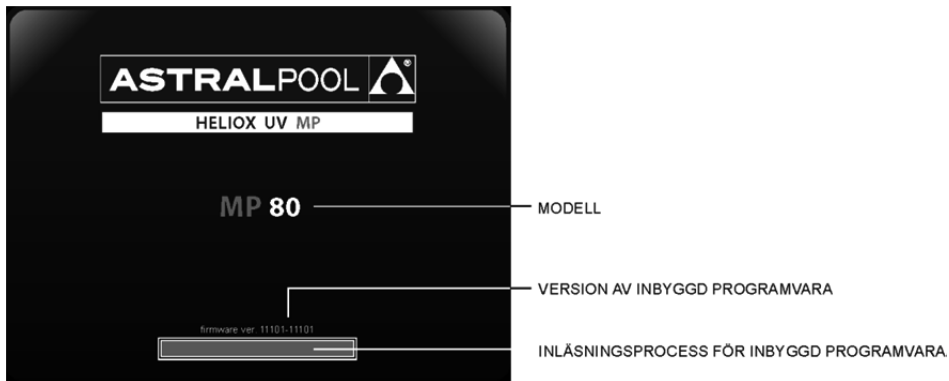


Anslut aldrig systemet när lampan inte är i reaktorn.

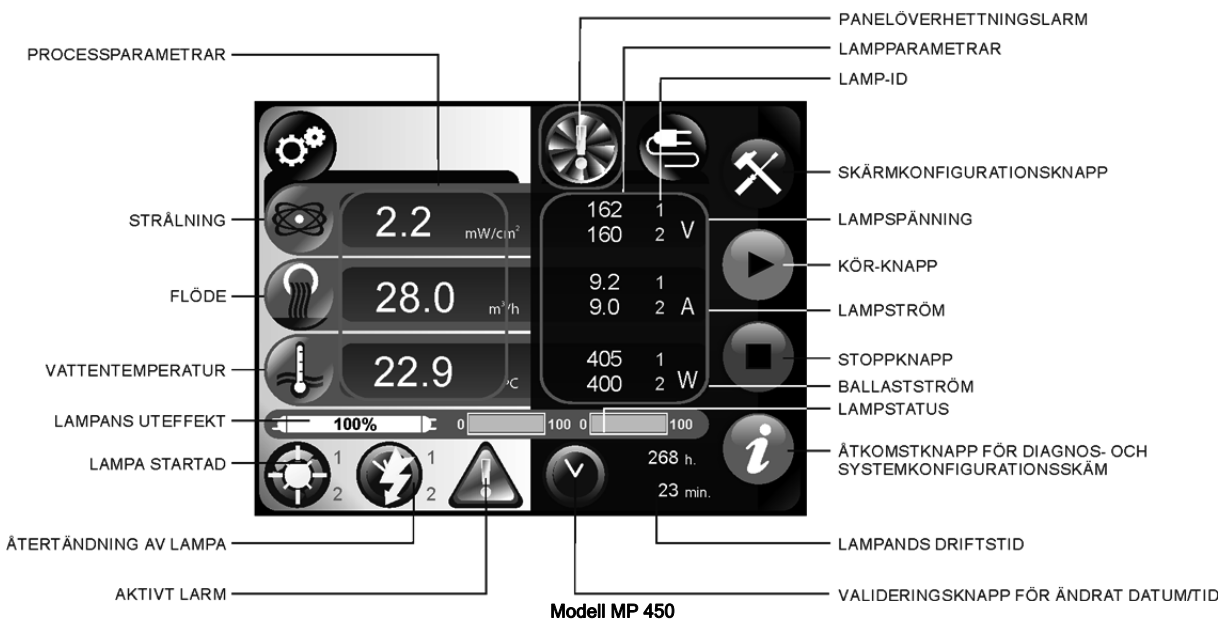
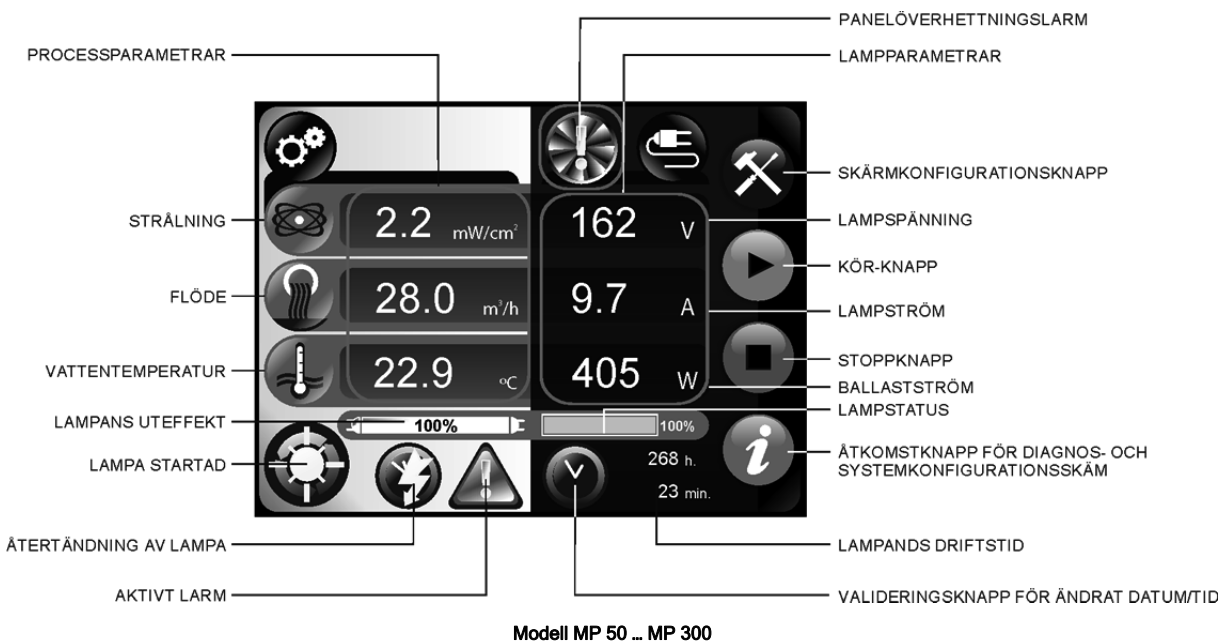
6. DRIFT:

6.1. Systemets huvudskärm

Den första skärmen som öppnas när systemet startas visar systemmodellen och ett förloppsält över programvarans inläsning och versionsnummer.



När programvaran lästs in öppnas systemets huvudkontrollskärm. Denna skärm är delad i olika informationsområden.



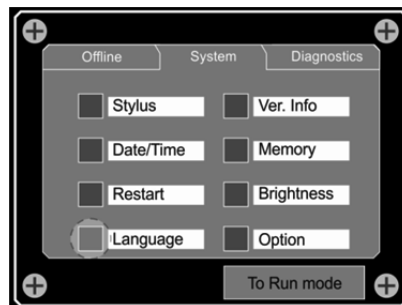
6.2. SPRÅK

HELIOX UV MP-systemet levereras förinställt på ENGELSKA. Om du vill arbeta på ett annat språk (FRANSKA, SPANSKA, ITALIENSKA, TYSKA eller PORTUGISISKA), fortsätt enligt nedanstående beskrivning.

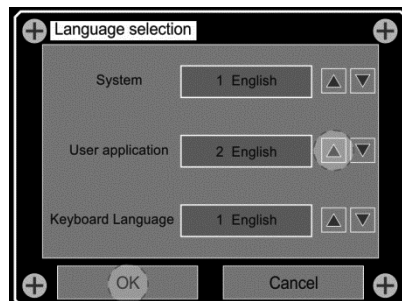
För att komma åt skärmkonfigurationsmenyerna, tryck på knappen längst upp i högra hörnet på skärmen.



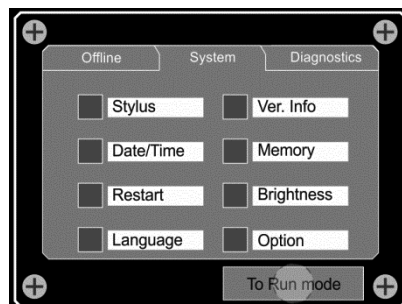
På "System"-skärmen klickar du på "Språk"-knappen.



Med markörknapparna väljer du "Engelska" i de tre fälten, och trycker på "OK" knappen för att avsluta.



Efter detta kommer alla skärmbilder att visas på det valda språket "Engelska". För att återgå till applikationshuvudskärmen, tryck på "Till KÖR-läge"-knappen.



6.3. Konfiguration av DATUM/TID

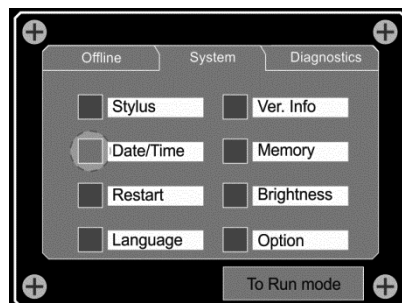
Klockinställningen kör i 30 dagar efter att kontrollpanelen kopplats ifrån om batteriet har laddats i 6 timmar i följd innan systemet stängdes ner. Klockans DATUM/TID-format är 24 timmar och tar hänsyn till skottår.

För att konfigurera systemets DATUM/TID-inställningar, fortsätt enligt nedanstående beskrivning.

För att komma åt skärmkonfigurationsmenyerna, tryck på knappen längst upp i högra hörnet på skärmen.



På "System"-skärmen klickar du på "Datum/Tid"-knappen.

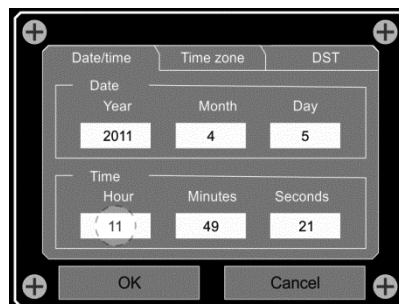


Klicka direkt på fältet som ska ändras.

Ange det nya värdet på tangentbordet som öppnas på skärmen.
När du angett det, tryck på "**Retur**" för att avsluta.
Fortsätt på samma sätt med de andra fälten som ska ändras.

När systemet datum/tid ställts in fortsätter du på samma sätt för att justera dina "**Tidszon**" och "**DST**" inställningar för automatisk ändring av tiden beroende på årstiden.
Tryck på "**OK**" för att återgå till huvudapplikationen.

För att överföra de införda DATUM/TID-parametrarna på pekskärmen till systemets CPU, tryck på DATUM/TID-valideringsknappen på huvudskärmen.



Varning



De andra skärminställningarna är fabriksinställda och ska inte ändras utan övervakning av en auktoriserad Astralpool-tekniker.

6.4. Systeminitiering



KÖR

Tryck här för att sätta på UV-lampan.



VARNING:

Om lampan plötsligt kopplas ifrån av någon anledning (stopp, larm osv.), kommer systemet inte att starta lampan direkt, utan gör en kontrollerad omstart när normala driftförhållanden har återställts, och bevarar därmed dess integritet.

Omstartsindikatorn kommer att blinka längst ner på skärmen.



När lampan startats visas denna ikon längst ner till höger på skärmen.

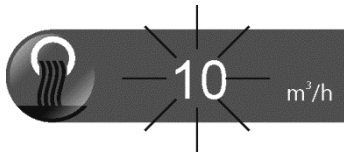
Systemet justerar gradvis uteffektnivån för att nå strålningens börvärde beroende på vilken modell som är installerad.



STOPP

Tryck här för att stänga av UV-lampan.

6.5. Larmhantering

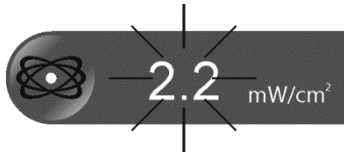


LÅGT FLÖDE

När den installerade sensorn identifierar ett otillräckligt vattenflöde i UV-reaktorn, stänger systemet av UV-lampan och "Flöde"-indikationen blinkar på skärmen.

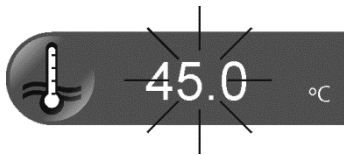
VARNING:

När vattenflödet återställts, återställs systemet automatiskt.



LÅG STRÅLNING

När strålningssensorn i reaktorn identifierar för låga värden för att säkerställa en minsta dos på 60 mJ/cm², kommer ändå indikationen "Strålning" att blinka på skärmen trots att lampan kör på full effekt.



HÖG VATTENTEMPERATUR

När temperatursensorn i UV-reaktorn identifierar en högre vattentemperatur än 45°C (113°F), stänger systemet av UV-lampan och indikationen "Temperatur" blinkar på skärmen.

ÖVERHETTNING AV KONTROLLPANEL:

Kontrollpanelen är utformat för att alltid arbeta med innertemperaturer under 45°C (113°F). Om temperaturen av någon anledning (hög yttemperatur, fel på intern kylfläkt osv.) når högre värden, stänger systemet automatiskt av strömmen till UV-lampan och låter den interna kylfläkten köra tills innertemperaturen faller under detta värde.

Överhettningsindikator blinkar överst på skärmen.

VARNING:

Temperaturkontrollen görs av en termostat [F0] inne i kontrollpanelen, och den fabriksinställda börvärdestemperaturen 45°C (113°F) får aldrig ändras.



När problemet har lösts är det nödvändigt att starta om systemet igen genom att trycka på KÖR-knappen.

AKTIVT LARM/LARMLOGG

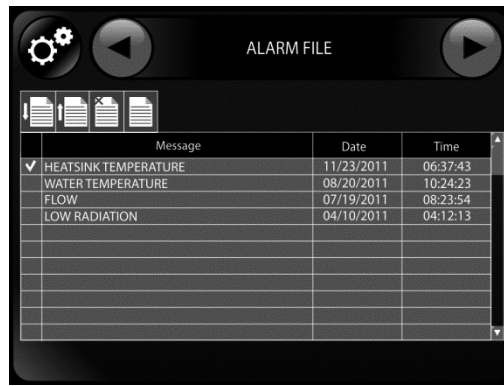
När systemet identifierar att ett larm är aktivt, ska lampan stängas av.

Systemet kommer inte att tillåta omstart förrän larmförhållandet försvinner och användaren bekräftar genom att klicka på ikonen.

Genom att klicka på ikonen kommer en lista med alla aktiva larm att visas.



Message	Date	Time
✓ HEATSINK TEMPERATURE	11/23/2011	06:37:43
WATER TEMPERATURE	08/20/2011	10:24:23
FLOW	07/19/2011	08:23:54
LOW RADIATION	04/10/2011	04:12:13



Om du trycker på knappen överst i menyn för att öppna larmloggen, kan du visa alla larm som identifierats från systemets anslutning.



Tryck på pilknappen överst på skärmen för att avsluta.

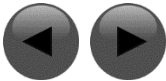


6.6. Diagnos av strömkrets(ar) till UV-lampa(or).

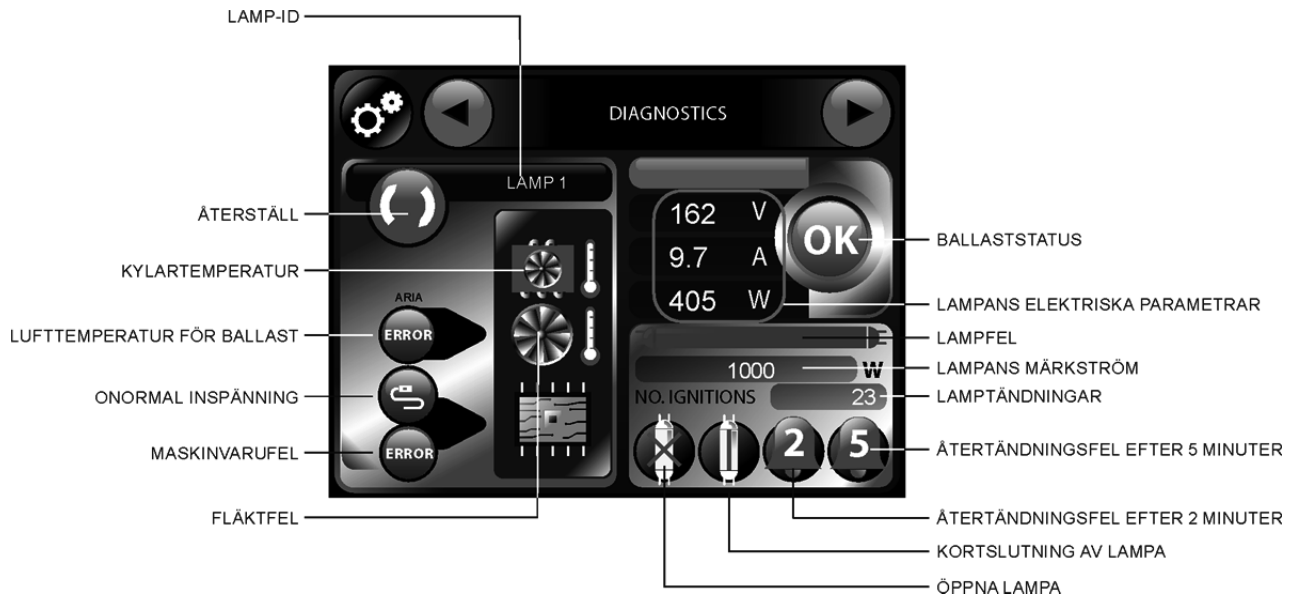


Tryck på "Diagnos" -knappen för att systemet ska öppna diagnosskärmen för UV-lampans elektroniska ballast och strömkrets.

Denna skärm tillhandahåller mycket detaljerad information om den elektroniska ballastens drift, så att det är väldigt enkelt att lokalisera orsaken till uppkomna fel eller haverier.



Navigeringsknapparna överst på skärmen tillåter att man kommer åt olika diagnos- och konfigurationsskärmar.



När det finns ett larm i en elektronisk ballast kommer det att låsas tills du trycker på "ÅTERSTÄLL"-knappen.



INAKTIVERING AV EN AV LAMPORNAS STRÖMKRETSAR I SYSTEM MED FLERA LAMPOR

I system med flera lampor (MP450W) är det möjligt att stänga av strömkretsarna till lamporna om det skulle behövas (t.ex. lämna systemet i väntan på service beroende på byte av lampa osv.). Det gör man bara genom att öppna diagnosskärmen för respektive lampa, och trycka på ikonen. När strömkretsen är inaktiverad kommer ikonen att blinka gul. Tryck bara på ikonen för att aktivera kretsen igen. Den återgår till normalt tillstånd i grön färg.

6.7. Systemhändelselogg



För att öppna systemets händelselogg, tryck på **"Diagnos"**-knappen. Systemet öppnar diagnosskärmarna både för elektronisk ballast och UV-lampans strömkrets, som nämnts tidigare i avsnitt 5.6.



Genom att trycka på navigeringsknappen överst till höger på skärmen, kommer du till loggskärmen för vissa systemhändelser från anslutningen.



Detta register raderas automatiskt varje gång systemet stängs av (enbart i inbyggda programversioner före 11102-XXX och 11202-XXX).

6.8. Konfiguration av systemets tilläggsparametrar

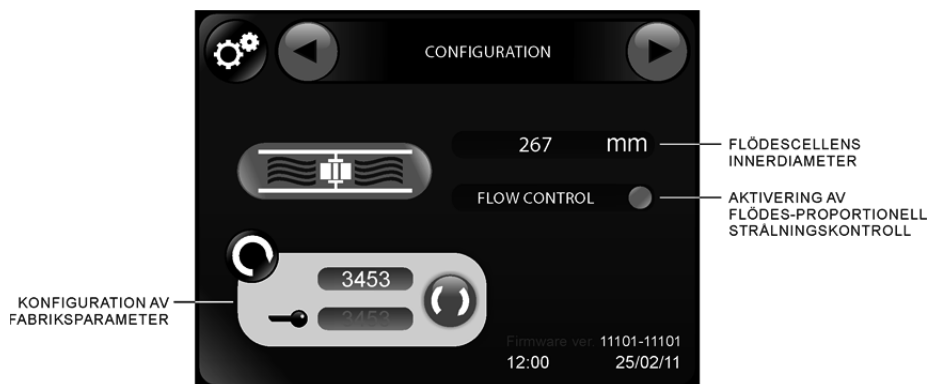
Skärmen **"Konfiguration"** tillåter att man modifierar flera tilläggsparametrar i systemet.



För att öppna skärmen **"Konfiguration"**, tryck på **"Diagnos"**-knappen. Systemet öppnar diagnosskärmarna både för elektronisk ballast och UV-lampans strömkrets, som nämnts tidigare i avsnitt 6.6.



Tryck flera gånger på navigeringsknappen överst till höger på skärmen, så öppnas skärmen **"Konfiguration"**.

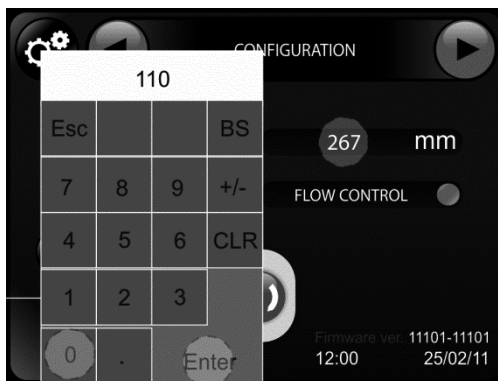


FLÖDESCELLENS INNERDIAMETER

Konfigurationsskärmen tillåter att man ändrar flödescellens innerdiameter. Om det är nödvändigt att ändra platsen för flödessensorn från standardläget i UV-reaktorn till en annan punkt i installationen, för att de uppmätta flödesmängderna ligger utanför sensorns intervall (5 ... 100 cm/s), matchar denna parameter alltid UV-reaktorns innerdiameter, och därmed behövs ingen ändring.

MP 50 ... MP 140	MP 300 ... MP 450
267 mm (10,51 ")	350 mm (13,78 ")

För att ändra denna parameter, klicka på det nuvarande värdet. Ett flytande tangentbord visas där du måste ange den nya diametern i millimeter. Tryck på "Retur" för att avsluta.



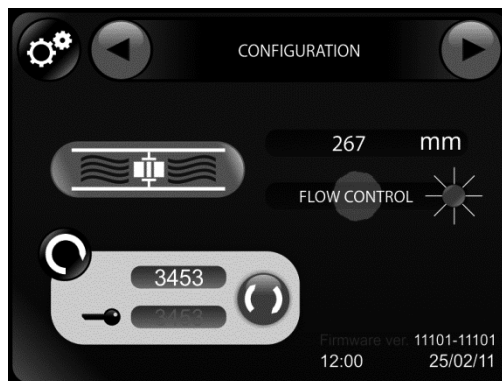
AKTIVERING AV FLÖDES-PROPORTIONELL STRÅLNINGSKONTROLL

Till skillnad från de flesta systemen på marknaden, använder HELIOX UV MP-systemen två parametrar när lampeffekten ställs in, strålning mätt med UV-C-sensor och flöde. Sålunda ställer systemet in en nominell strålning för varje modell, vilken bestäms av det maximala behandlingsflödet för att garantera en dos på 60 mJ/cm². Om flödet är lägre än nominellt, kommer även den erforderliga strålningen att vara det, så att systemen sänker lampans uteffekt, optimerar energiförbrukningen och ökar lampans hållbarhet. Precis som tidigare modeller, oavsett om strålningen minskar på grund av lampans lägre effektivitet, turbiditet osv., återställer systemet lampans effekt.

VARNING:

Emellertid kommer lampans uteffekt att vara mindre än 70 % av märkeffekten.

För att aktivera/inaktivera flödeskontrollen, klicka på området. När flödeskontrollen är aktiverad blinkar indikatorn grön.



KONFIGURATION AV FABRIKSPARAMETER

System tillåter även att man konfigurerar vissa driftsparametrar genom att ange vissa koder och lösenord som bara finns tillgängliga för tillverkaren eller teknisk hjälppersonal.

7. UNDERHÅLL:



Före installationen eller bytet av systemkomponenter måste enheten först kopplas ifrån elnätet och inget vatten får flöda igenom den. Använd enbart reservdelar från AstralPool.



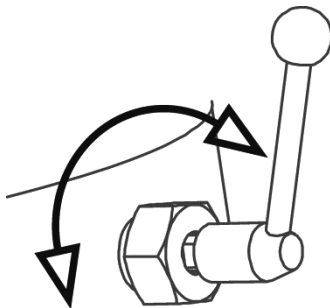
Hantera aldrig UV-lampan förrän den har svalnat helt.

7.1. Mekanisk rengöring av kvartshylsan

FREKVENS:

- Rengör kvartshylsan minst EN GÅNG PER DAG.

Man kan även rengöra kvartshylsan manuellt genom att använda handtaget på UV-reaktorn. Vrid handtaget mycket långsamt 180 °. Upprepa proceduren 2 eller 3 gånger.



7.2. Byte av UV-reaktor

FREKVENS:

- UV-lampor ska bytas när systemets STRÅLNINGSLARM är aktivt, och rengöring med reaktorns manuella enhet inte är effektiv.
- När KOMBINERADE KLOR-nivåer i poolen är onormalt höga.

PROCEDUR:

- 1.- Ta bort framsidan av anslutningsdosorna för lampor och lossa de fyra skruvarna som håller den fast på UV-reaktors hölje.
- 2.- Koppla ifrån lampan från terminalerna i dem två kopplingsdosorna.
- 3.- Lossa låsmuttrarna på båda sidorna av lampan.
- 4.- Ta bort ändkapselmutterna av Teflon på båda sidorna om kvartshylsan.
- 5.- Dra ut lampan helt genom att hålla i en av keramikändarna, så att den inte utsätts för påfrestningar.

Varning



Hantera alltid UV-lampan med handskar på, eftersom fett och andra orenheter som fastnar på ytan kan minska prestandan och hållbarheten. Om lampans yta måste rengöras ska du använda en mjuk trasa som blötats i alkohol.

- 6.- Sätt i en ny lampa genom att alltid hålla i en av keramikändarna, och sätt tillbaka den i kvartshylsan utan att den frestas på.
- 7.- Sätt den i ändkapselmutterna av Teflon på båda sidorna om kvartshylsan.
- 9.- Skruva på låsmuttrarna på båda sidorna av lampan.
- 10.- Sätt tillbaka anslutningsdosornas framsida i sitt originalläge, så att den sitter stadigt på plats med skruvarna.



Varning

När lampan byts, måste enhetens tidmätare nollställas. Det gör man genom att återansluta systemet till brytaren på kontrollpanelens framsida, och fortsatt som följer:

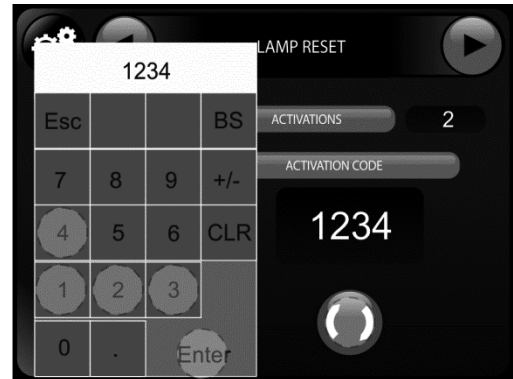


För att öppna skärmen "Konfiguration", tryck på "Diagnos"-knappen. Systemet öppnar diagnosskärmarna både för elektronisk ballast och UV-lampans strömkrets, som nämnts tidigare i avsnitt 6.6.



Genom att trycka på navigeringsknappen i skärmens övre högra hörn så öppnas skärmen "Lampåterställning". I system med flera lampor (MP450) ska man välja den skärm som motsvarar lampan som byts. Utför denna procedur på alla skärmarna, om alla lampor ska bytas på enheten.

Denna skärm tillåter att man nollställer drifttidmätaren och antalet tändningar för lampan varje gång den byts mot en ny.



Det gör man genom att klicka på aktiveringskoden och använda popup-tangentbordet, och ange koden "1234".



Tryck på "Återställ"-knappen för att bekräfta.

Timern kommer nu att visa "0".

7.3. Kemisk rengöring/byte av kvartshylsan

FREKVENS:

- **MINST EN GÅNG PER ÅR** måste du kontrollera att kvartshylsan inte innehåller någon typ av avlagringar på ytan (kalk, järn, mangan, organisk materia osv.).
- **Under alla förhållanden ska kvartshylsan rengöras VARJE GÅNG DU BYTER LAMPA.**

PROCEDUR:

UTDRAGNING AV KVARTSHYLSAN

- 1.- Följ proceduren som beskrivs i avsnitt 7.1 för att ta bort lampan i kvartshylsan.
- 2.- När man rengör manteln ska lampan placeras på en säker plats för att ytan inte ska bli smutsig eller går sönder.

Varning



Hantera alltid UV-lampan med handskar på, eftersom fett och andra orenheter som fastnar på ytan kan minska prestandan och hållbarheten. Om lampans yta måste rengöras ska du använda en mjuk trasa som blötats i alkohol.

- 3.- Med baksidan av Teflon-mutterna trycker du försiktigt på kvartshylsan från ena änden och skjuter på den försiktigt tills O-ringen på sidan lossnar.
- 4.- Dra ut lampan helt genom att hålla i en av keramikändarna, så att den inte utsätts för påfrestningar.
- 5.- Ta försiktigt bort O-ringen på sidan av kvartshylsan.
- 6.- Om det visar sig att hylsan är helt transparent, sätt tillbaka den i höljet enligt nedanstående beskrivning.

7.- Om det är nödvändigt att rengöra kvartshylsan ska du alltid använda en mjuk trasa doppad i utspädd vinäger/ättikasyra.

ISÄTTNING AV KVARTSHYLSAN

8.- Flytta hylsans rengöringsmekanism med hjälp av spaken åt höger på reaktorn (sedd från sidan med sensorerna), där hylsan sätts i.

9.- Sätt i hylsan i den rengöringsenhetens första skiva tills den når den andra rengöringsskivan.

10.- Flytta mekanismen till reaktorns andra ände, och tryck med ena handen på hylsan och styr med ett finger på andra handen så att den går in i den andra rengöringsskivan, och försök att undvika påfrestningar.

11.- Centra hylsan så att den sticker ut lika mycket från båda sidorna av höljet.

12.- Fukta O-ringarna lätt och sätt tillbaka dem på deras platser, lätt intryckta på båda sidorna av hylsan.

13.- Placera ändkapselmutterna på respektive hölje, och placera handflatan på kapselmuttern, tryck försiktigt tills O-ringarna förs in i hylsan. I detta läge sticker hylsan ut några millimeter ovanför O-ringen.

14.- Sätt tillbaka lampan enligt beskrivningen i avsnitt 7.1.

7.4. Byte av tätningar i kontakt med kvartshylsan

FREKVENNS:

- **Byt tätningarna i kontakt med kvartshylsan VARJE GÅNG DU BYTER LAMPAN.**

PROCEDUR:

För att byta tätningarna på kvartshylsan, fortsätt enligt proceduren som beskrivs i avsnitt 7.2.

7.5. Rengöring av UV-C-sensorn

FREKVENNS:

- **Minst EN GÅNG PER ÅR måste du kontrollera att UV-C-sensorns kvartsfönster inte innehåller någon typ av avlagringar på ytan (kalk, järn, mangan, organisk materia osv.).**
- **Under alla förhållanden ska UV-C-sensorn rengöras VARJE GÅNG DU BYTER LAMPA.**

PROCEDUR:

1.- Lossa kabeln till UVC-SE-sensorn.

2.- Skruva loss och ta bort UVC-SE-sensorn från höljet i UV- reaktorns hölje.

3.- Om det visar sig att sensorns kvartsfönster är helt transparent, sätt tillbaka den i höljet enligt nedanstående beskrivning. Om det är nödvändigt att rengöra kvartsfönstret ska du alltid använda en mjuk trasa doppad i alkohol.

4.- Sätt i och skruva fast UVC-SE-sensorn på höljet i UV- reaktorns hölje.

5.- Anslut sensorkabeln igen.

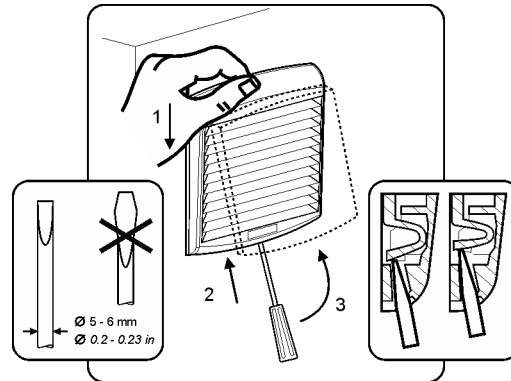
7.6. Verifiering av kontrollpanelens fläkt

FREKVENNS:

- Kontrollpanelens fläkt ska kontrolleras, och galler och filter rengöras minst EN GÅNG PER ÅR, eller om man noterar att de är smutsiga.

PROCEDUR:

1.- Ta bort skyddsgallren med en passande skruvmejsel (se bilden nedan).



2.- Rengör och byt vid behov fiberfiltren inuti.

3.- Sätt tillbaka på sin plats.

7.7. Kontroll av systemisolering och anslutningar

FREKVENNS:

- Du måste kontrollera kretsbrytaren i kontrollpanelen minst VARJE GÅNG DU BYTER UV-LAMPA, genom att trycka på TEST-knappen på framsidan.
- Du måste kontrollera statusen för alla anslutningar, speciellt lampans ström och jordningen till både kontrollpanel och UV-reaktor, VARJE GÅNG DU BYTER LAMPA.

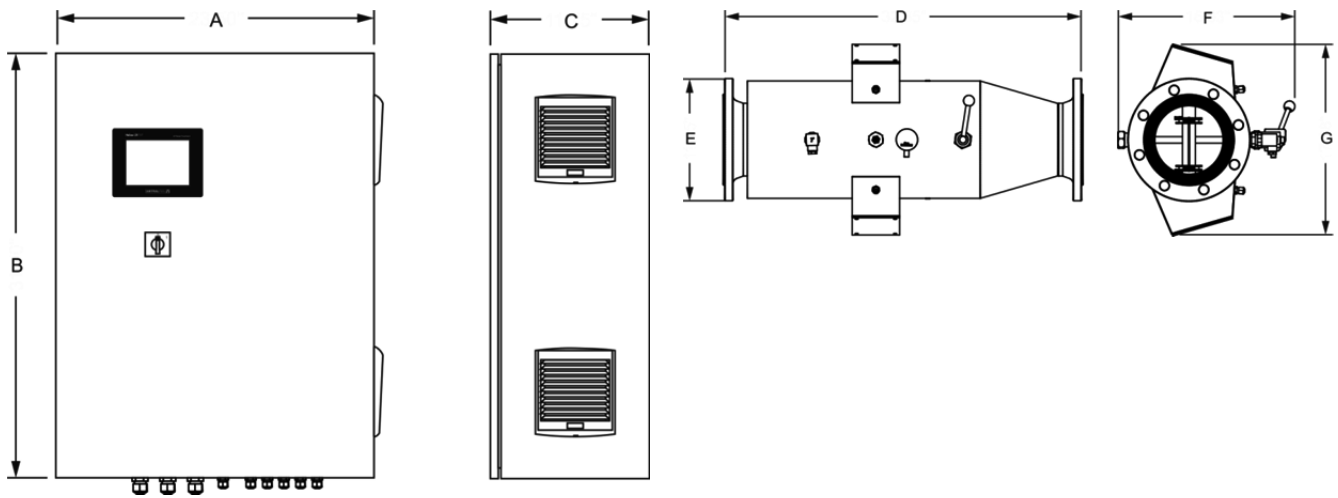
8. TEKNISKA SPECIFIKATIONER:

	UV MP 50 52200	UV MP 80 52201	UV MP 140 52202	UV MP 300 52203	UV MP 450 59967
Flöde (vid 3-log-reducering)	220 gpm 50 m ³ /h	350 gpm 80 m ³ /h	615 gpm 140 m ³ /h	1 320 gpm 300 m ³ /h	1 975 gpm 450 m ³ /h
Material	Metall, polyester- och epoxihartsbeläggning RAL 7035 / IP-54				
Kontrollbord	AISI-316L				
Mått	31,5" x 23,6" x 11,8" 800 x 600 x 300 mm				
Kontrollbord	33.0" / 10.7" 838/273 mm				
UV-reaktor (längd/diam.)	40.0" / 14.0" 1 017/356 mm			44.8" / 14.0" 1 138/356 mm	
Flänsar Inlopp/Utlopp	DN 150			DN 250	
Max. märktryck	50 psi/3,45 bar				
Tryckfall (head loss)	0,02 psi vid 220 gpm 0,02 psi vid 50 m ³ /h	0,05 psi vid 350 gpm 0,05 psi vid 80 m ³ /h	0,13 psi vid 615 gpm 0,13 psi vid 140 m ³ /h	0,18 psi vid 1 320 gpm 0,18 psi vid 300 m ³ /h	0,44 psi vid 1 975 gpm 0,44 psi vid 450 m ³ /h
Spänning	240 VAC / 50-60 Hz (enkelfas)				240 VAC / 50-60 Hz (3-fas)
Märkström (W)	700	1000	3000	3000	6000
Elektroniska ballaster	1	1	1	1	2
UV-C-ström (W)	105	150	450	450	900
Lampor	1	1	1	1	2
Hållbarhet (timmar)	8 000 timmar				
Kylning	Panel: fläkt + filter självkyld aluminiumkylare				
Kontrollskärm Strålning Flöde Temperatur Lampa	3,4 tum TFT färgpekskärm (320x240 pixlar) 6 språk UV-C-sensor Flödessensor (rostfritt stål) Temperatursensor (PT-100, rostfritt stål). effekt (A), spänning (V), förbrukning (W)				
Tidräknare	•	•	•	•	•
Larmlogg	•	•	•	•	•
Strömkontroll	•	•	•	•	•
Omstartskontroll	•	•	•	•	•
Kontrollringångar	Två (2) potentialfria kontakter: flöde och fjärrstopp				

Mått

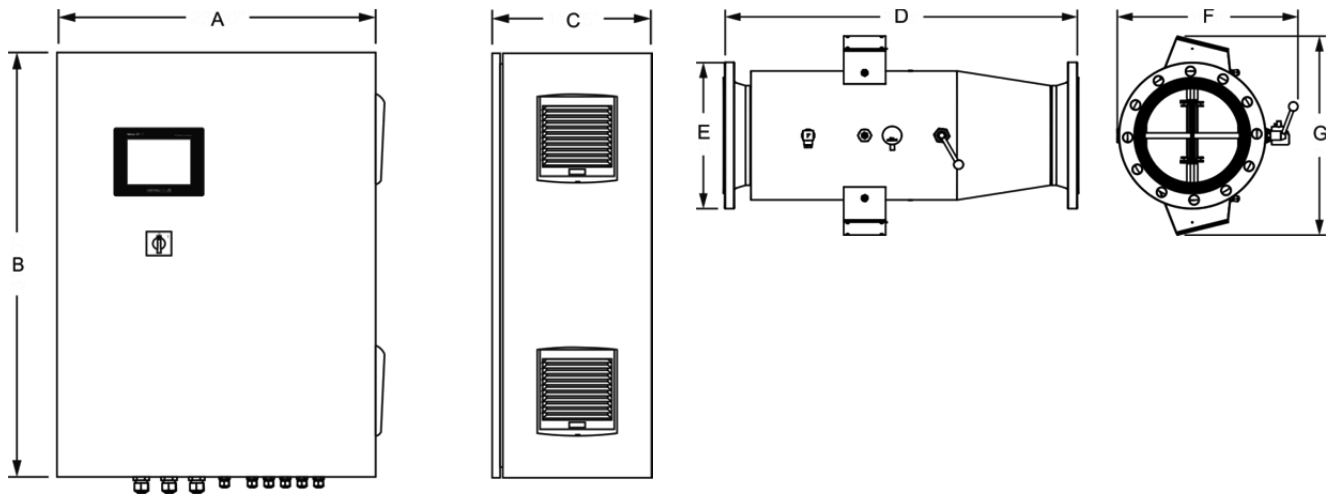
KONTROLLPANEL

MP 50 ... MP 140-modeller



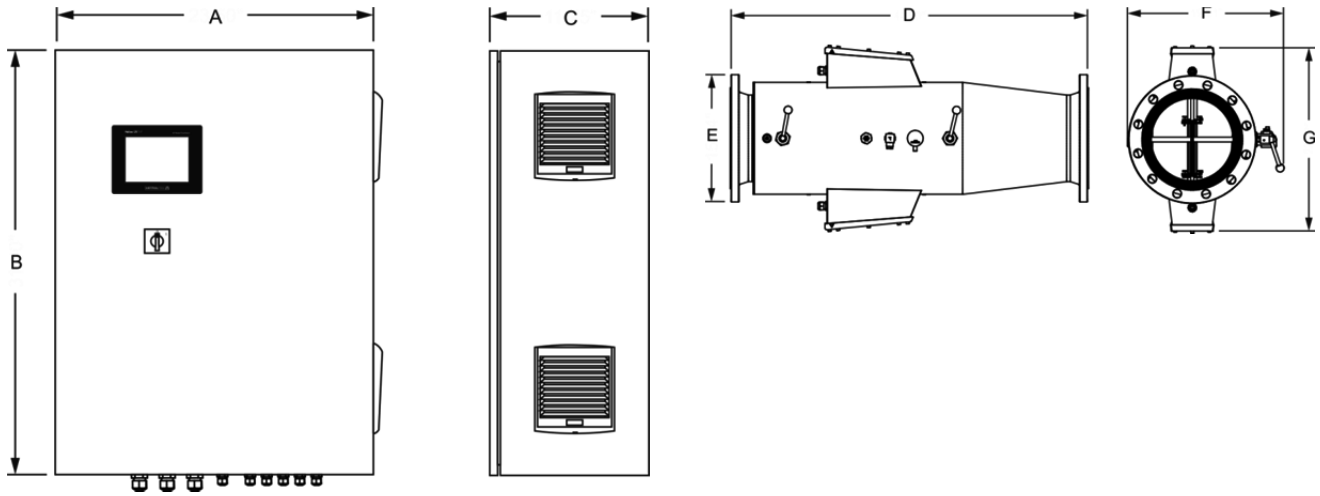
	A		B		C		D		E		F		G	
inch/mm	23,6	600	31,5	800	11,8	300	33,0	838	11,2	284	16,3	414	18,7	476

MP 300-modell



	A		B		C		D		E		F		G	
inch/mm	23,6	600	31,5	800	11,8	300	40,0	1017	15,9	404	19,5	496	17,6	446

MP 450-modell



	A		B		C		D		E		F		G	
inch/mm	23,6	600	31,5	800	11,8	300	44,8	1138	15,9	404	19,6	498	22,8	580

9. GARANTIVILLKOR: _____

9.1. ALLMÄNA REGLER

- 9.1.1. Enligt dessa villkor garanterar säljaren att produkten är i perfekt skick vid leveransen.
- 9.1.2. Den totala garantiperioden är 2 ÅR.
- 9.1.3. Garantiperioden kommer att beräknas från dagen för leveransen till köparen.
- 9.1.4. Skulle produkten ha några fel och säljaren informeras under garantiperioden, ska denne reparera eller byta ut produkten enligt eget gottfinnande, såvida det inte är omöjligt eller orimligt.
- 9.1.5. När produkten inte kan repareras eller bytas, kan köparen begära en proportionerlig kostnadsnedsättning eller, om felet är tillräckligt allvarligt, befrias från säljavtalet.
- 9.1.6. Delar som ersatts eller reparerats under denna garanti ska inte förlänga garantiperioden för originalprodukten, men kommer att ha sin egen garanti.
- 9.1.7. För att denna garanti ska vara giltig, ska köparen bevisa inköpsdagen och leveransen av produkten.
- 9.1.8. När köparen hävdar ett fel på produkten med än sex månader efter leveransen, måste originalet uppvisas och det påstådda felet.
- 9.1.9. Detta garanticertifikat begränsar eller påverkar inte konsumenträttigheter i enlighet med nationell lagstiftning.

9.2. SPECIELLA VILLKOR

- 9.2.1. För att denna garanti ska gälla, måste köparen noga följa tillverkarens instruktioner i dokumentationen som medföljer produkten, i enlighet med vad som gäller för varje produktserie och modell.
- 9.2.2. När ett schema definieras för byte, underhåll eller rengöring av vissa produktdelar, ska garantin enbart gälla när sagda schema har följts korrekt.

9.3. BEGRÄNSNINGAR

- 9.3.1. Denna garanti ska enbart gälla vid försäljning till konsumenter, där konsument definieras som en person som köper produkten för andra ändamål än professionella.
- 9.3.2. Ingen garanti är tillämplig på normalt slitage eller produkten, delar, komponenter och/eller fungibla eller förbrukningsmaterial.
- 9.3.3. Garantin täcker inte tillfällen då produkten: (i) har hanterats felaktigt; (ii) har inspekterats, reparerats, underhållits eller hanterats av en icke auktoriserad person; (iii) har reparerats eller underhållits med annat än originaldelar, eller (iv) har installerats eller startats felaktigt.
- 9.3.4. När en felaktig produkt blir resultatet av felaktig installation eller start, ska garantin enbart gälla när installationen eller starten utgör en del av produktens försäljningsavtal och har utförts av säljaren eller under säljarens ansvar.
- 9.3.5. Skada eller fel som beror på någon av följande orsaker:
 - Trasig lampa efter 100 timmars verifierbar drift.
 - Användning av uttryckligen otillåtna kemikalier.
 - Trasig kvartshylsa.
 - Drift under driftryck högre än 50 psi (3,45 bar).
 - Felaktig driftspänning eller felaktigt dragna elementledningar.
 - Exponering för korroderande miljöer och/eller temperaturer under 2°C (36°F) eller mer än 40°C (104°F).

We reserve to change all or part of the articles or contents of this document, without prior notice
Nous nous reservons le droit de modifier totalment oru en partie les caracteristiques de nos articles ou le contenu de ce document sans pré avis
Nos reservamos el derecho de cambiar total o parcialmente las características de nuestros artículos o el contenido de eeste documento sin previo aviso
Ci riservamo il dritto di cambiare totalmente o parzialmente le caratteristiche technique dei nostri prodotti ed il cotenuto di questo documntosenza nessun preavviso
Wir behalten uns das recht vor die eigenschatten unserer produkte oder den inhalt dieses prospektes teilweise oder vollstanding, ohne vorherige benachichtigung zu andern
Reservamo-nos no dereito de alterar, total ou parcialmente as características dos nossos artigos ou o coteúdo deste documento sem avisdo prévio.