

ABOVE-GROUND AUTOMATIC POOL COVER

CONFLENT MODEL 120 Nm



INSTALLATION AND MAINTENANCE MANUAL



Serial N°:

Revision number :S 003-2008-01-01

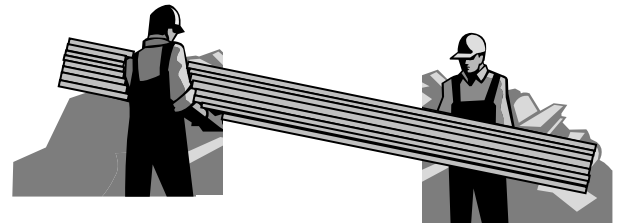
TABLE OF CONTENTS

- Personnel and material required for unloading and assembly.	Page 02/21
- Components of the automatic pool cover.	Page 03/21
- Warning.	Page 04/21
- Bearing sides and motor assembly.	Page 04/21
- Bearing sides with roller shaft assembly.	Page 05/21
- Assembly in the pool.	Page 06/21
- General installation in the pool.	Page 07/21
- Fixing the plates in the wall level.	Page 08/21
- Slat assembly.	Page 09/21
- Slat direction.	Page 10/21
- Slat with melted caps Assembly.	Page 11/21
- Stair assembly.	Page 12/21
- Partition assembly.	Page 13/21
- Installation of beam's cases.	Page 14/21
- Mounting of beam and counterweights.	Page 15/21
- Electrical installation.	Page 16/21
- Electrical connections.	Page 17/21
- Safety Brackets & Straps Positioning.	Page 18; 19; 20; 21/21













UNLOADING



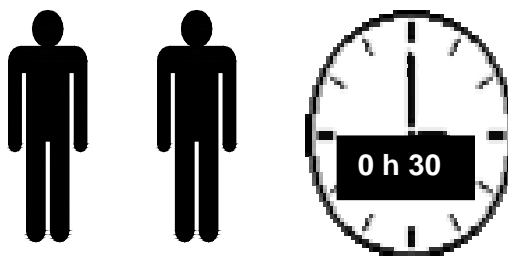
OR



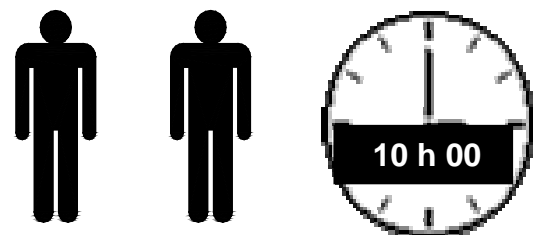
TOOLS REQUIRED FOR ASSEMBLY

-  Drill and drill bits for concrete Ø 6 and Ø10
-  Flat head screwdrivers
-  Phillips screwdrivers
-  Spirit level
-  10 - 13 – 17 wrench
-  Nippers
-  Wire strippers
-  5 and 6 mm Allen wrench
-  Hammer
-  Standard and long (10 m) measuring tape
-  Grease
-  Metal saw

UNLOADING TIME



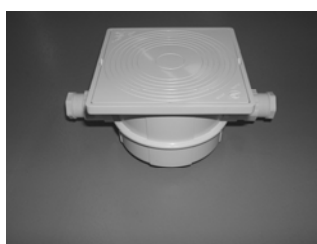
ASSEMBLY TIME



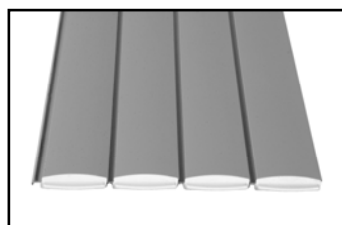
COMPONENTS OF THE AUTOMATIC POOL COVER



One stand for motor side
One stand for bearing side



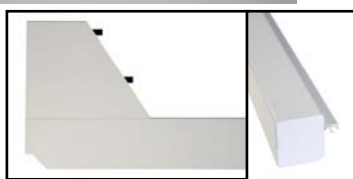
Connection box to fix on the deck



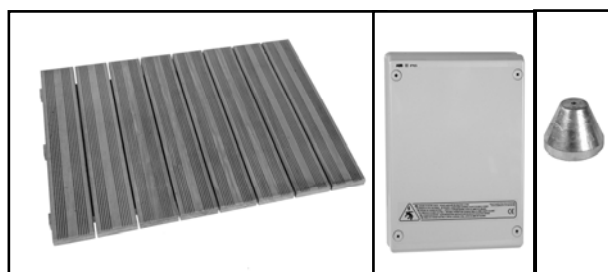
Slat and strap assembly



Roller shaft



Aluminium beam with/ without partition for pit



Electrical box
Pit cover
Counterweight

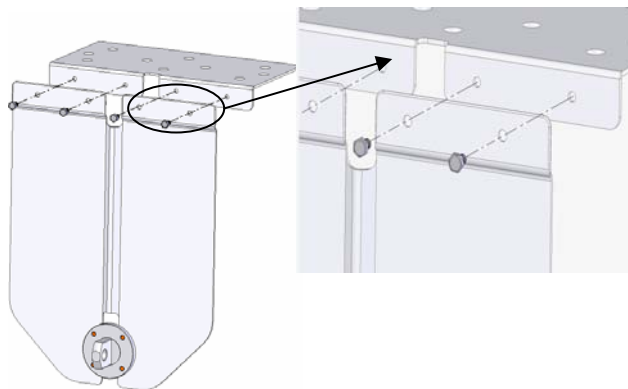


Installation instructions
Operation, care, winterising and
maintenance instructions

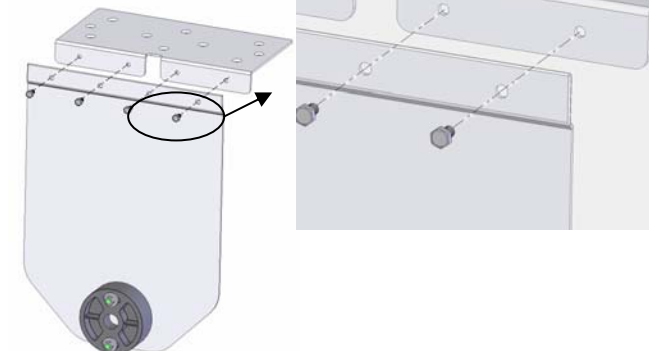
WARNING

We recommend before performing any operation to read carefully the installation instructions and to check the following points:

- Check the wall's hardness and particular those places where the bearing stands have to be placed.
- Make sure there is an efficient overflow drain; the overflow's shaft will be installed at 100 mm from the wall. (The overflow drain tube is \varnothing 40mm mini)
- It is recommendable an automatic water level.
- Your automatic cover have been manufactured according to the manufacturing sheet, however we suggest checking, before doing any performance, that the slats can be properly placed in the pool.
- Make sure that the power feeding is carried out from the right side of the pool.
- The electrical installation must be done by a properly trained and qualified electrician.
- The electrical box must be protected by a 30mA circuit breaker. (Not supplied by us).

BEARING SIDES AND MOTOR ASSEMBLY**MOTOR SIDE**

- Install on the deck in order to easily assembly the different components
- Place the highest part of the angle bracket behind the vertical stand
- Assembly the two parts with 4 stainless steel screws of diameter 8 and their washers
- Tighten vigorously with a 13mm key

BEARING SIDE

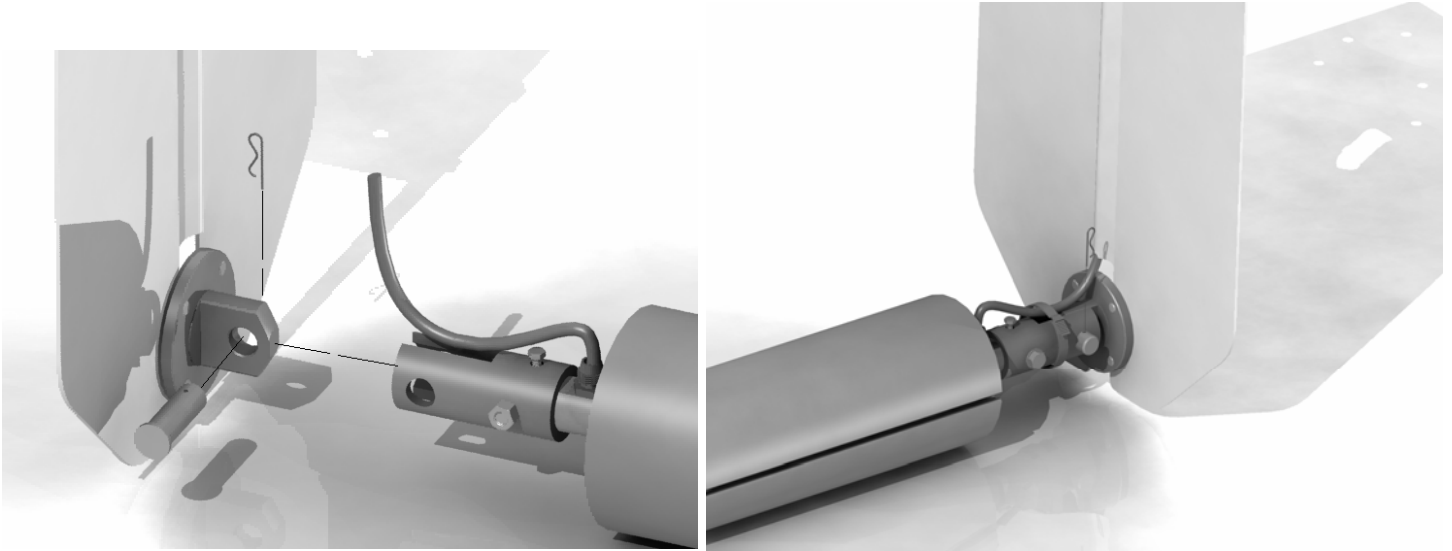
- Proceed as follows:
- Place the highest part of angle bracket behind the vertical stand
- Assembly the two parts with the 4 M8 stainless steel screws and their washers.
- Tighten vigorously with a 13mm key.

Note: The assembly of bearing sides is not obligatory, the horizontal parts can be well positioned and fixed on the wall level to immediately fix the vertical parts on them.

BEARING SIDES WITH ROLLER SHAFT ASSEMBLY

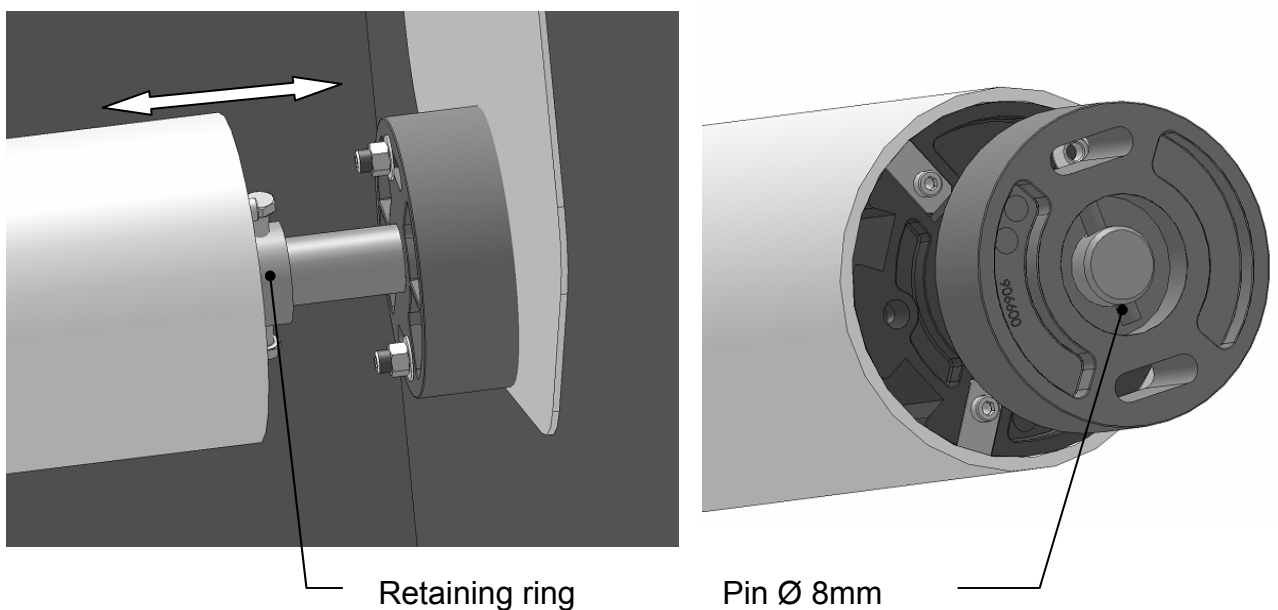
FIXING OF SHAFT ON MOTOR BRACKET

- Place the motor side of the roller shaft next to the motor bracket and put the power cable into the protection groove.
- Attach the motor plate to the fixed part on the vertical side.
- Grease the fixed shaft \varnothing 200mm, place it between the two parts immobilize it with the stainless steel pin.



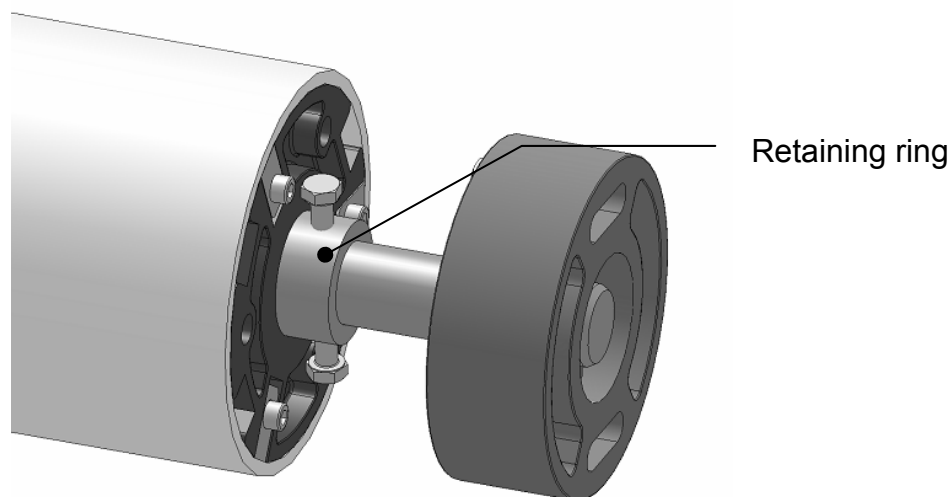
FIXING OF SHAFT ON BEARING SIDE

- Place the bearing side of the roller shaft next to the bearing side.
- Make sure there is a \varnothing 8mm bolt at the end of bearing shaft and attach the black bearing with the bearing side, center this one and fix them with the two nuts.
- Check that bearing shaft slides well through the tube of the roller shaft!

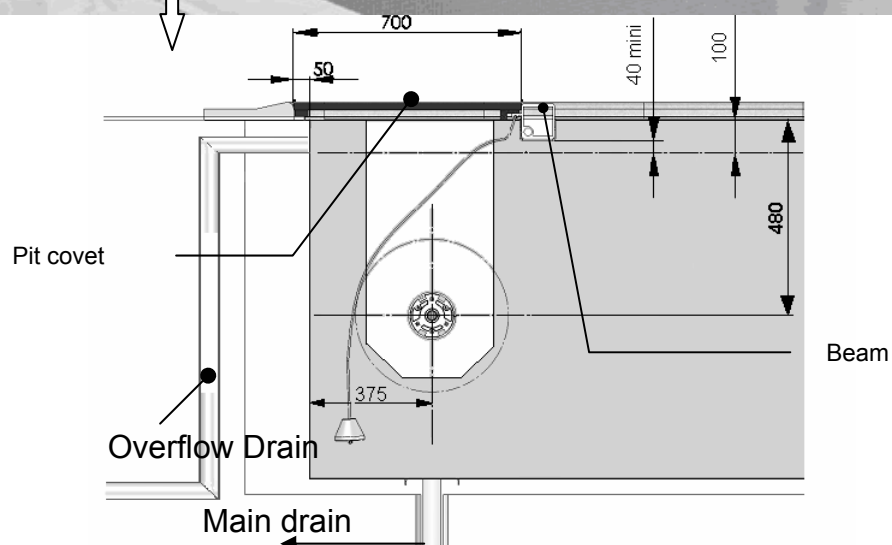
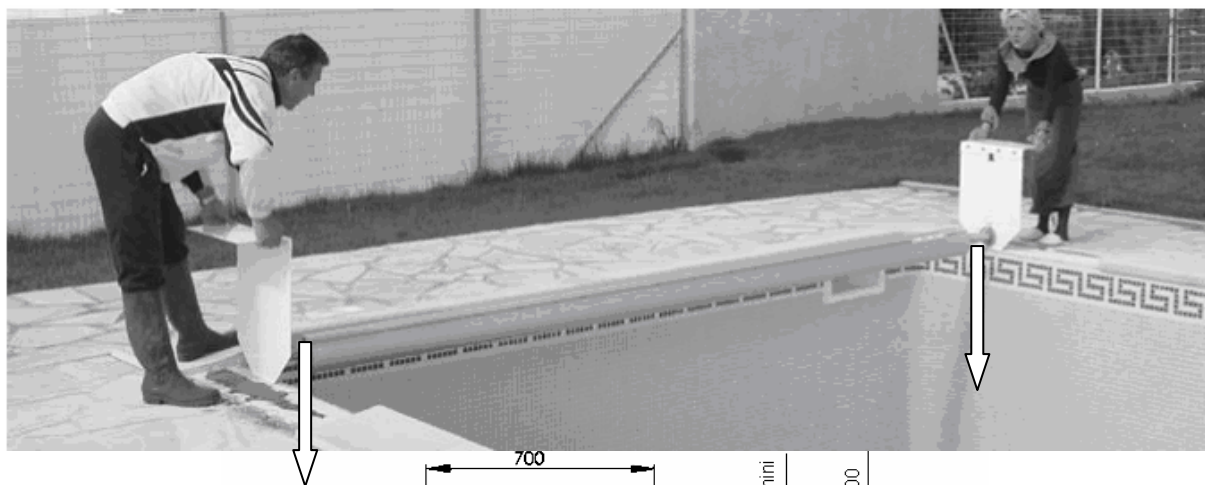


ASSEMBLY IN THE POOL

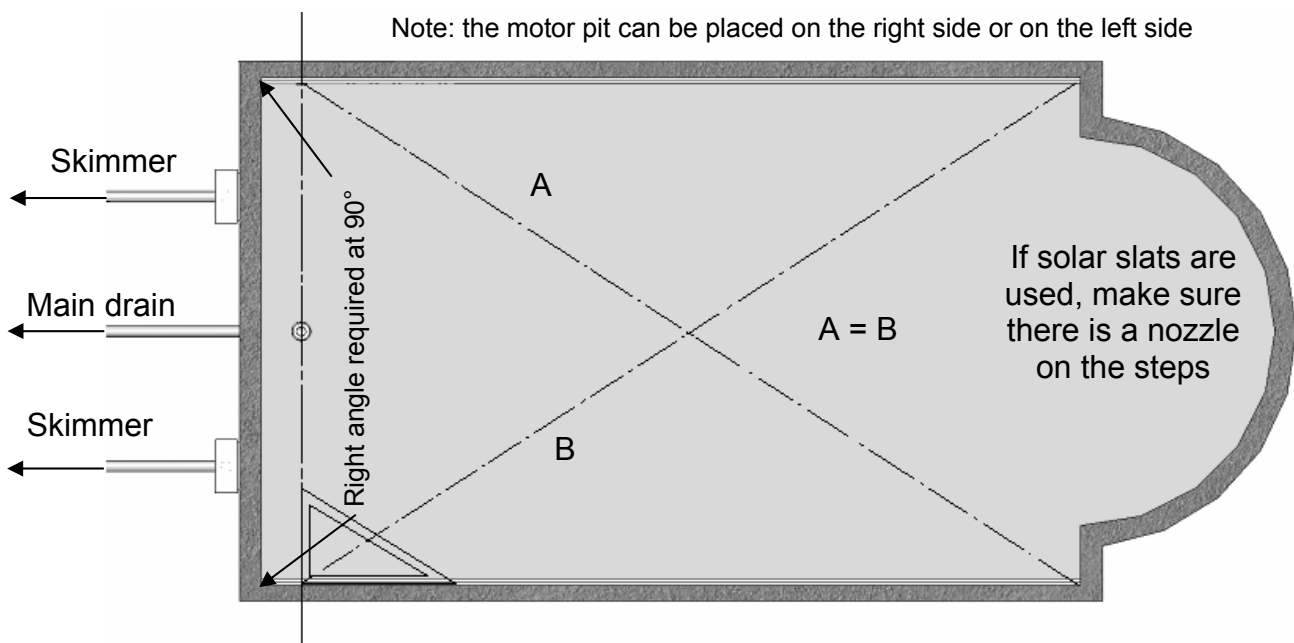
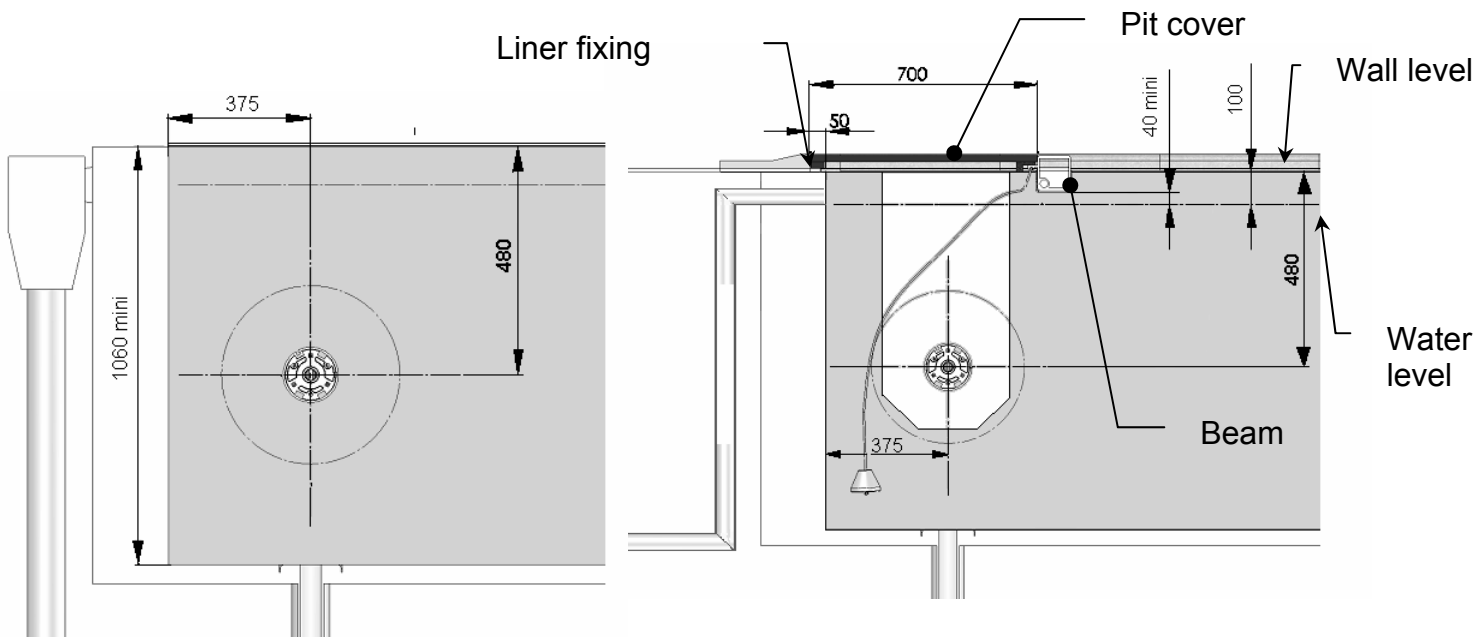
- Loose the fixing screw of the shaft bearing's fixing ring and introduce the set: shaft – bearing – bearing shaft towards the interior of roller shaft with a minimum dimension to make the assembly easier.



- Proceed with the assembly of the system between two workers



GENERAL INSTALLATION IN THE POOL



Note: The axis of the roller shaft and bearing should be perfectly parallel for a good assembly and at 90° to the pool length wall.

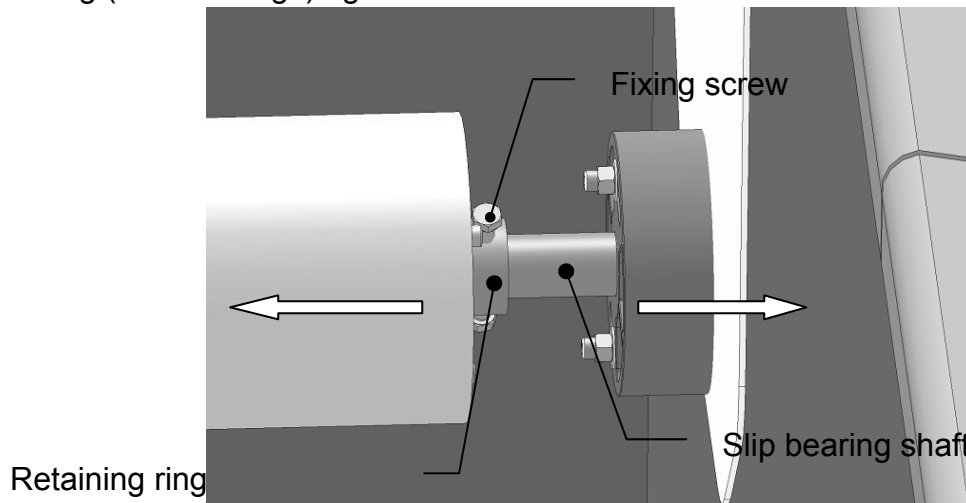
ATTENTION: In presence of rays behind the roller, you will have:

- To if required off-set the roller towards the basin by you ensuring that slats once rolled up on the roller shaft do not touch the liner in the rays
- - You to ensure that the assembly of the beam and the pit cover is always realizable in spite of the new positioning of the roller

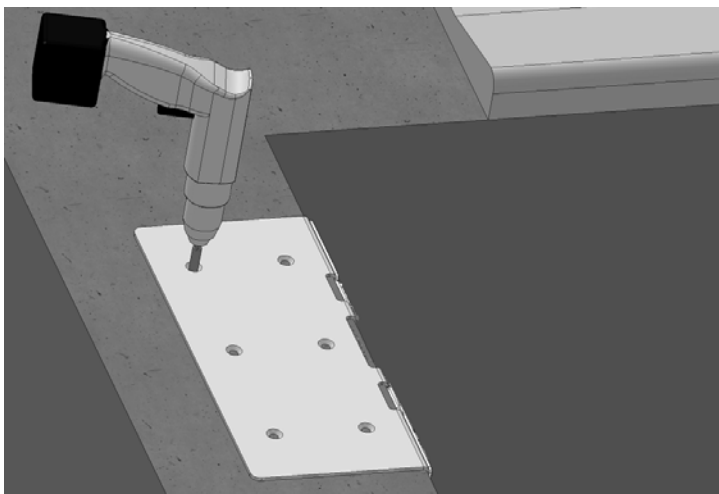
FIXING OF PLATES

After having placed the roller in the pool, it is important to put the bearings of the roller together against the walls of the pool.

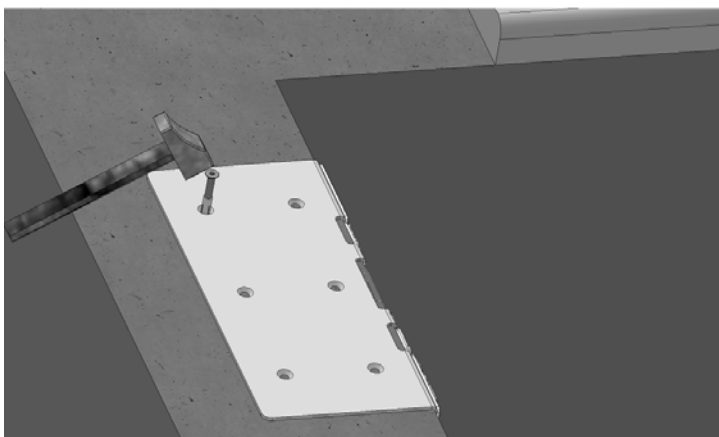
To do so, slide the bearing shaft and fix it by tightening the hexagonal M8 screw of the ring (see drawings) against the roller's tube.



After having decided the location and angle brackets of the pool, according to the installation system indicated on the previous page, it will be best to fix the plates through a $\text{Ø}10\text{mm}$ drill, dowels and stainless steel screws included in the pack.



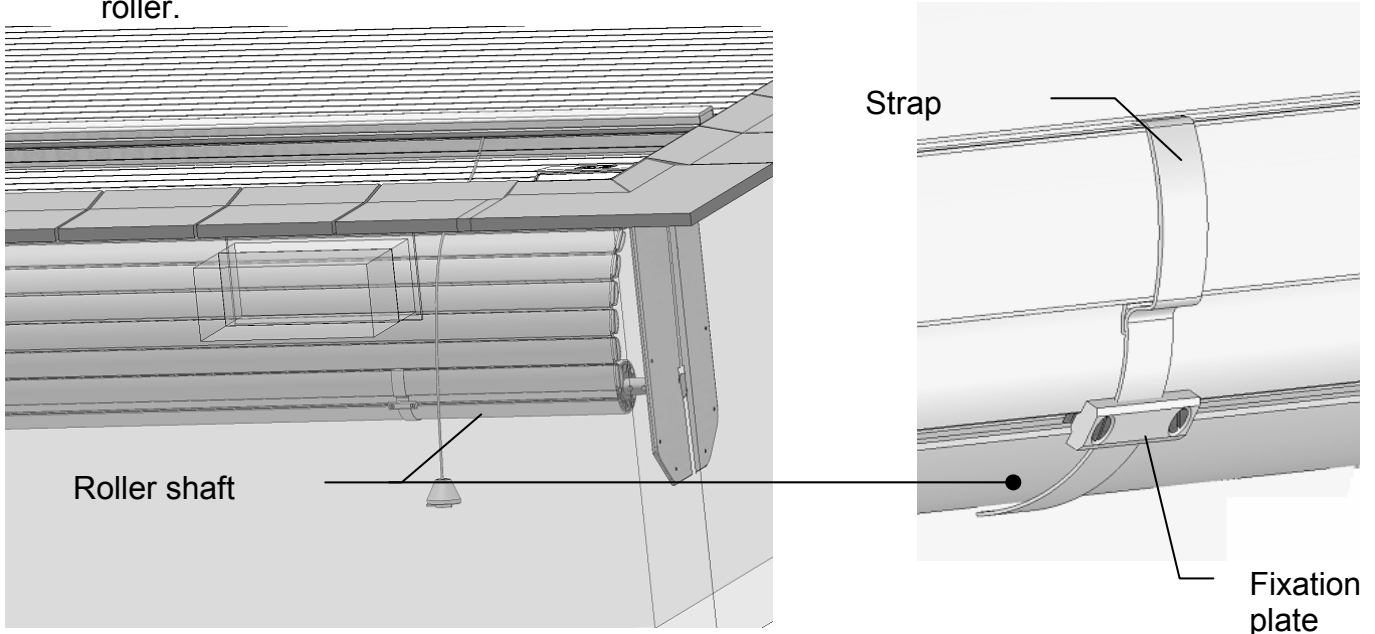
Drill $\text{Ø} 10\text{mm}$
depth 100mm



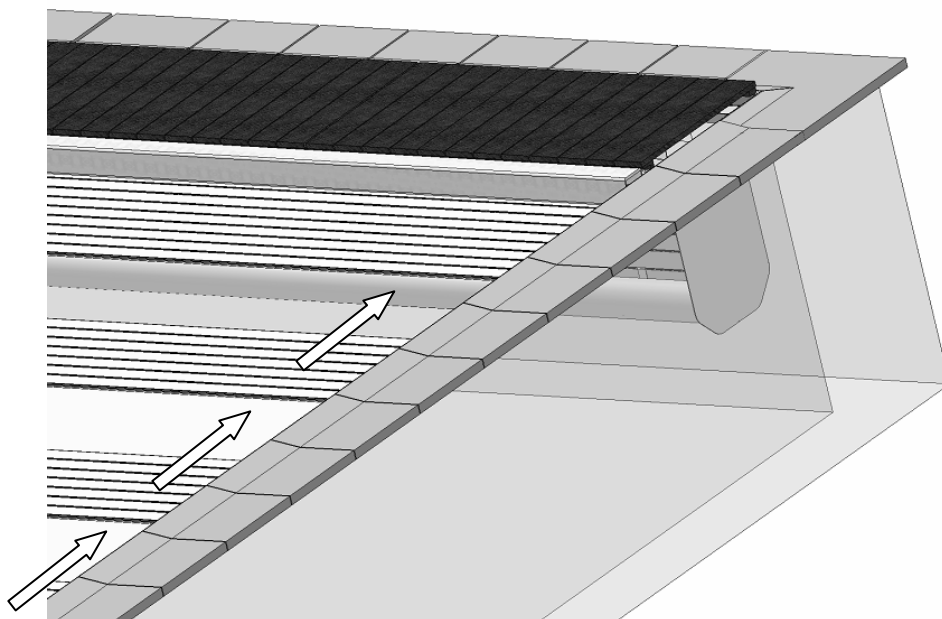
Placing of brass dowels
 $\text{Ø}10\text{ mm}$ and stainless
steel countersunk-head
screw M8×60

SLAT ASSEMBLY

- * Immediately after taking the slats out of the packaging, they should be put into the water to prevent any possible deformation.
- *The number of slats has been determined according to the length of the pool, though there are 4 extra slats.
- * The first set of slats is easily recognisable as it has the straps to be fastening to the roller.



- *Slide the strap under the fastening plates.
- *Centre the cover in the pool leaving enough space on both sides.
- *Tighten the attachment plates with a screwdriver

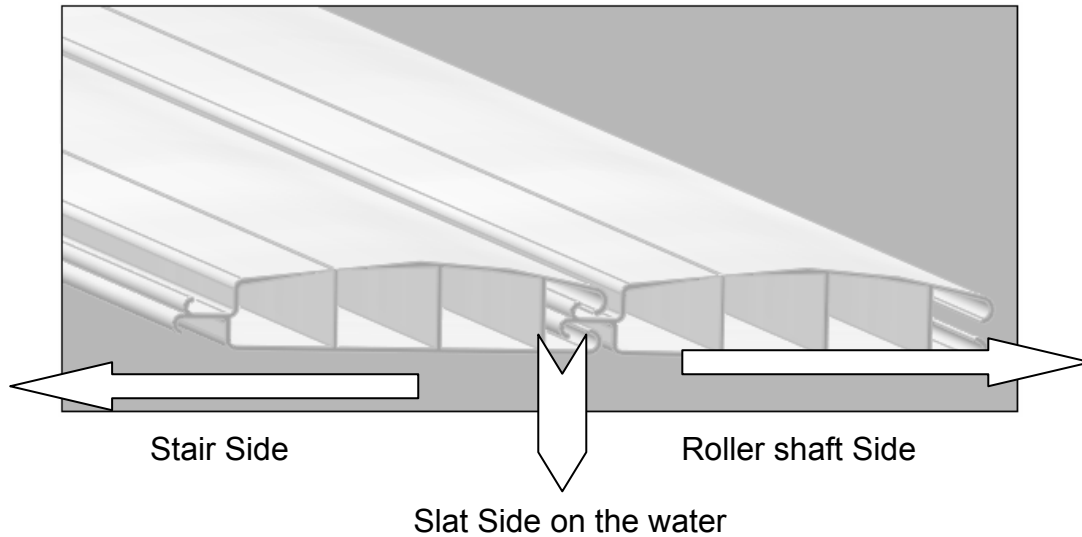


- * Bring closer the set of 7 slats to assemble them.

SLATS DIRECTION

- * Identify the upper side of the slats (curved side).
- * Identify the slats direction:

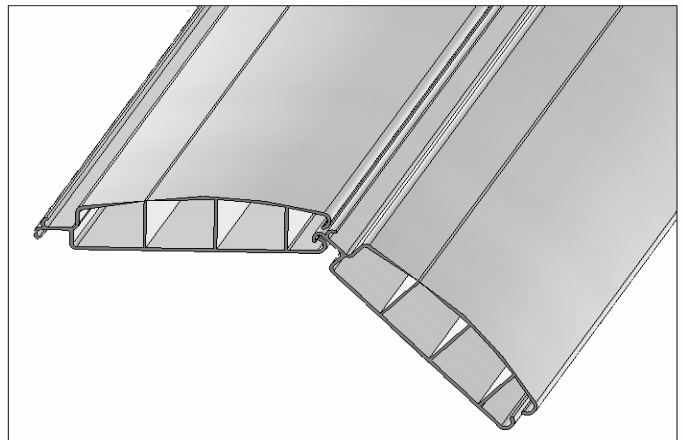
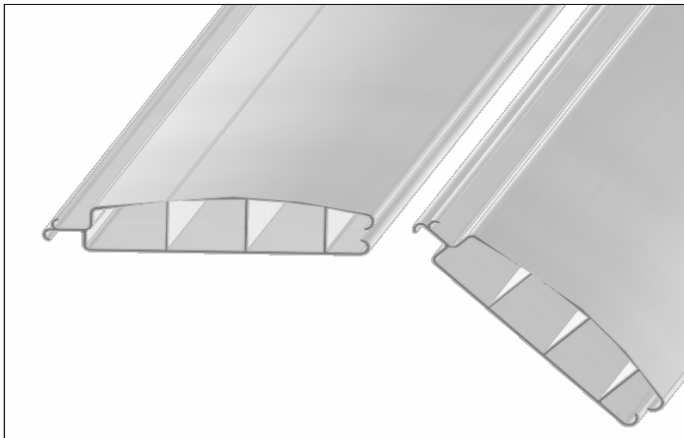
- Wing to the stair
- Groove to the roller shaft



SLATS ASSEMBLING

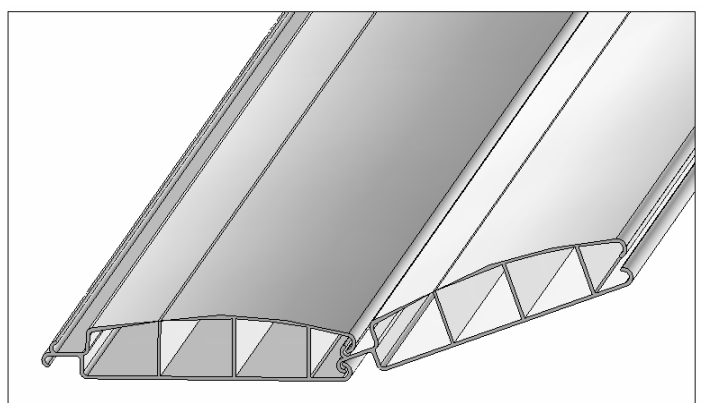
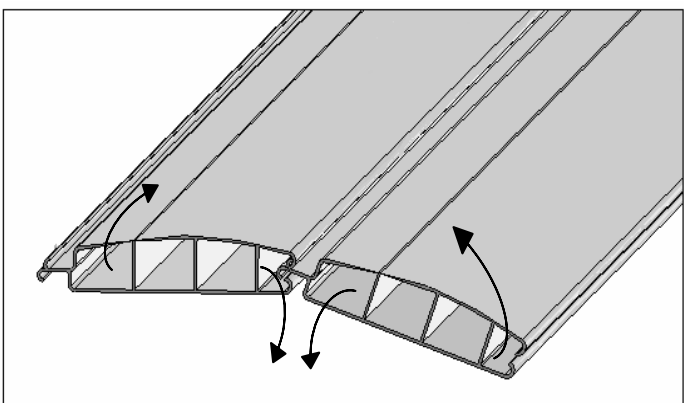
Phase 1: Join the slats

Phase 2: Join the wing to the groove

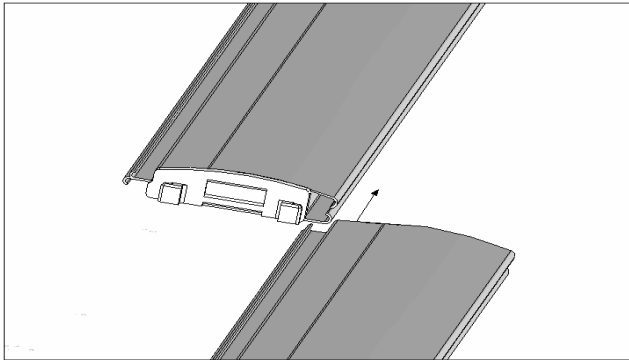


Phase 3: Move both slats down

Phase 4: Move them up and carry on with it until slats are perfectly engaged.

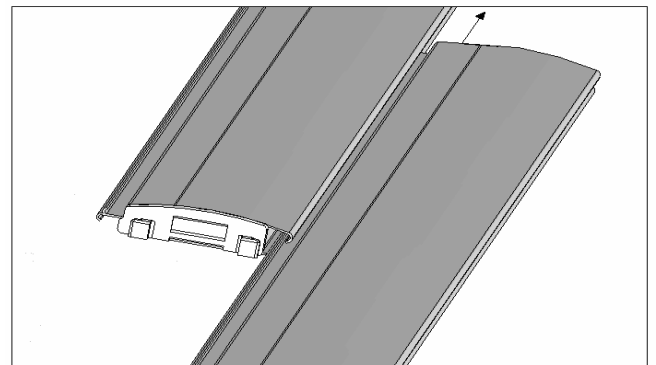


ASSEMBLING OF SLATS WITH MELTED CAPS:



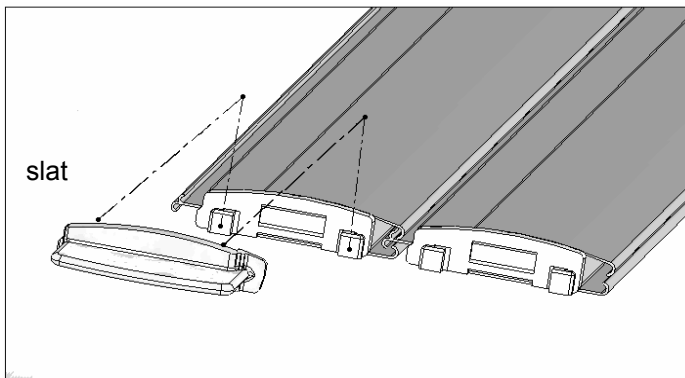
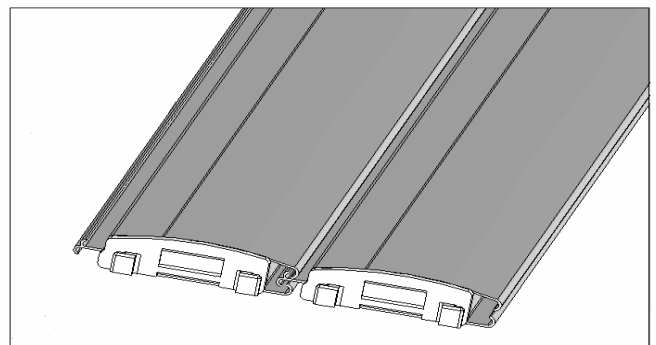
Phase 1:

Place both slats (see above) wing to groove. Be careful with the slats direction.



Phase 2:

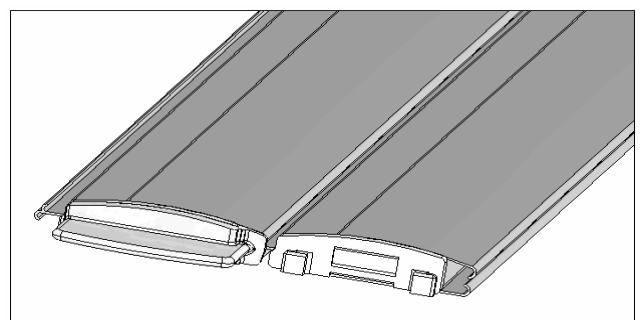
Slide the slats along. Stop it at the when the edges of of the slats are on line.



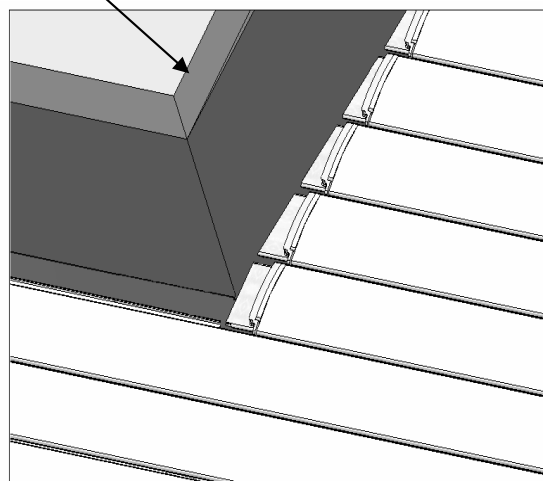
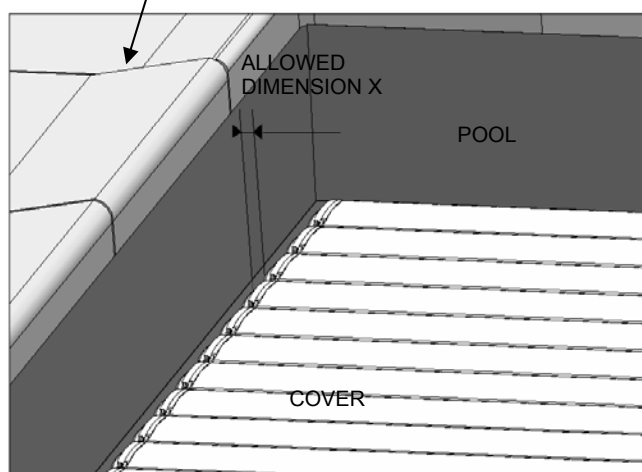
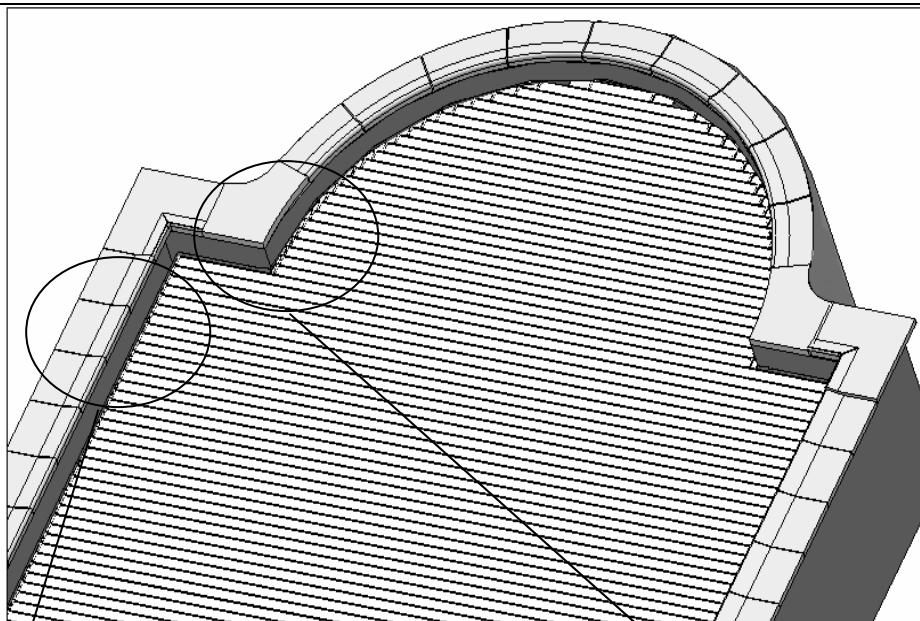
Phase 3:

Place the removable wing on to the and assemble the wing on to the cap

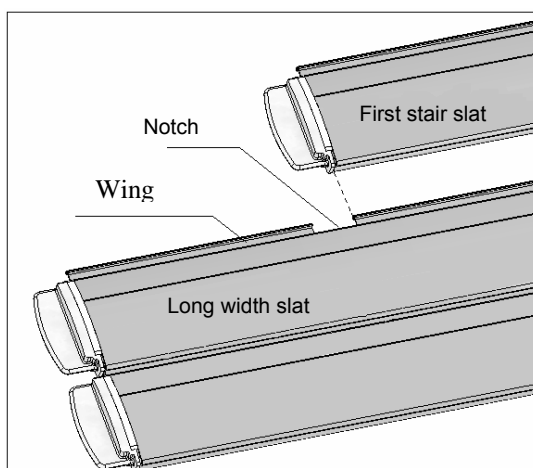
Do the same for the following ones.



STAIR SETTING



- 1°) Put the stair slats on the water
- 2°) Assemble the slats until the stairs are completely assembled.
- 3°) Centre the big width slats in the pool (allowed dimension X: from both sides of the pool)
- 4°) Centre the stair using this slat.

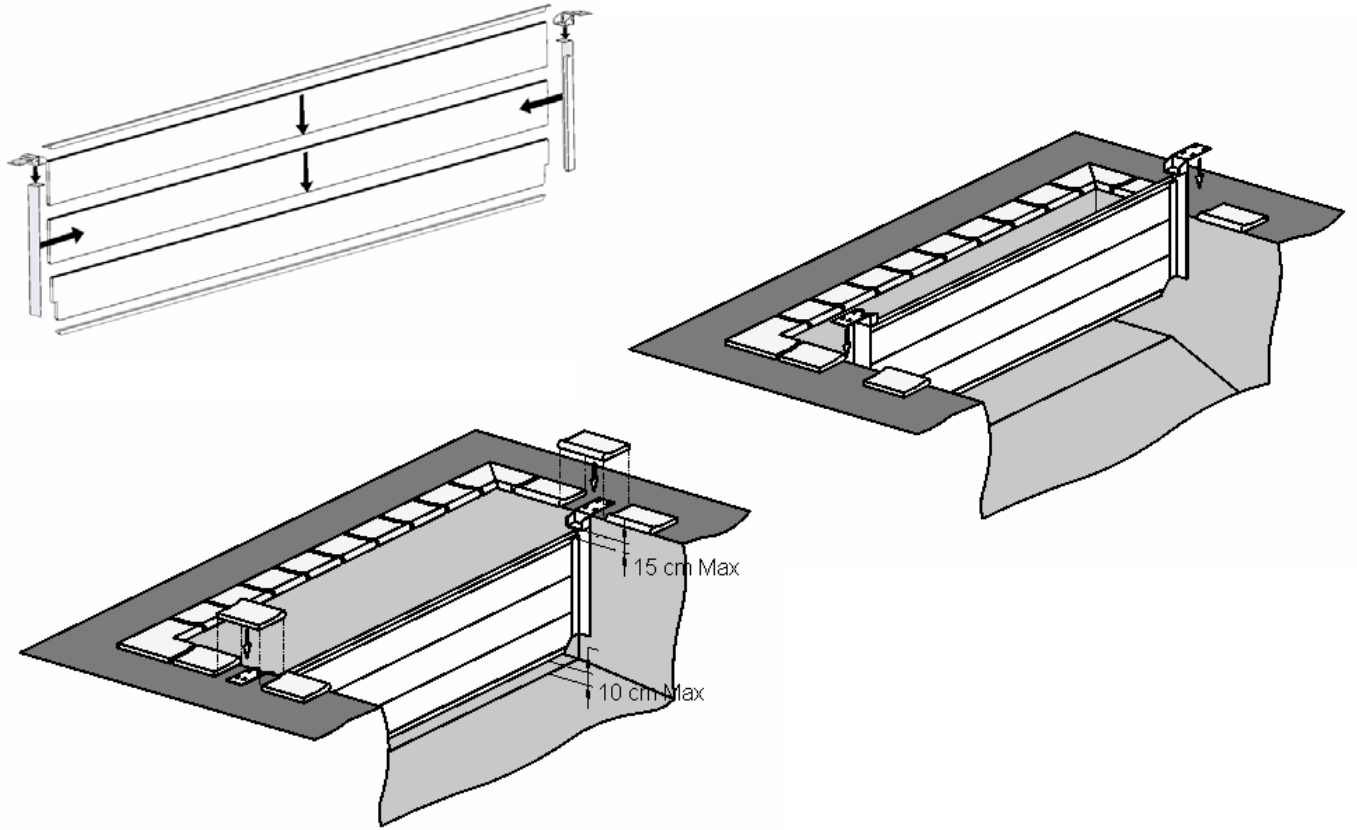


To assemble the stair slats to the pool slats, proceed as follows:

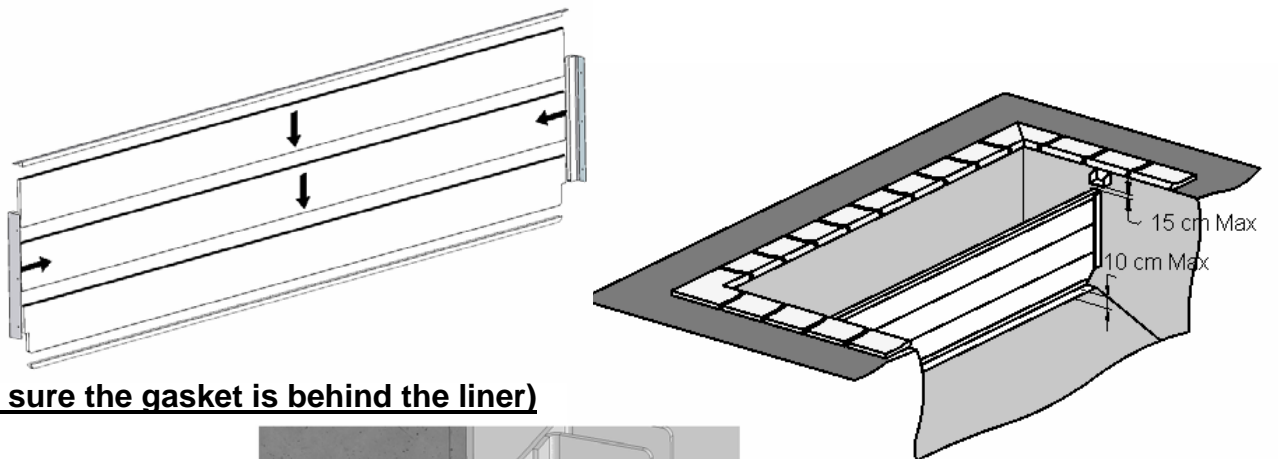
- ▶ Mark the position of both cap edges of the stair slat on the wing of the long width slat.
- ▶ Make two notches of a cap dimension on both sides of the stair on the wing of the long width slat without hurting the waterproof of the slat.

PARTITION ASSEMBLY

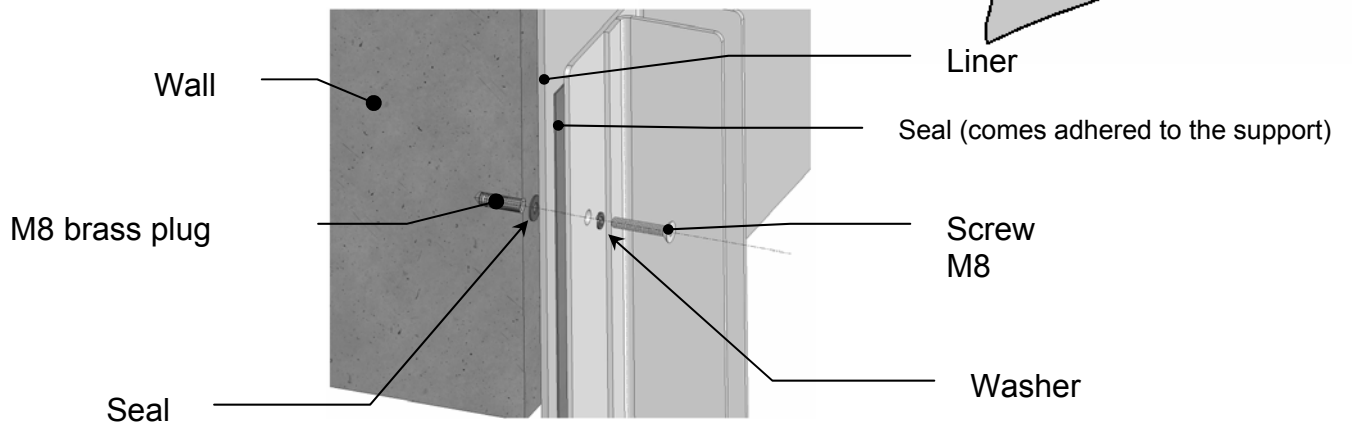
1) Hanging partition model (attached below the coping stone)



2) Partition model for attachment to vertical walls



Make sure the gasket is behind the liner

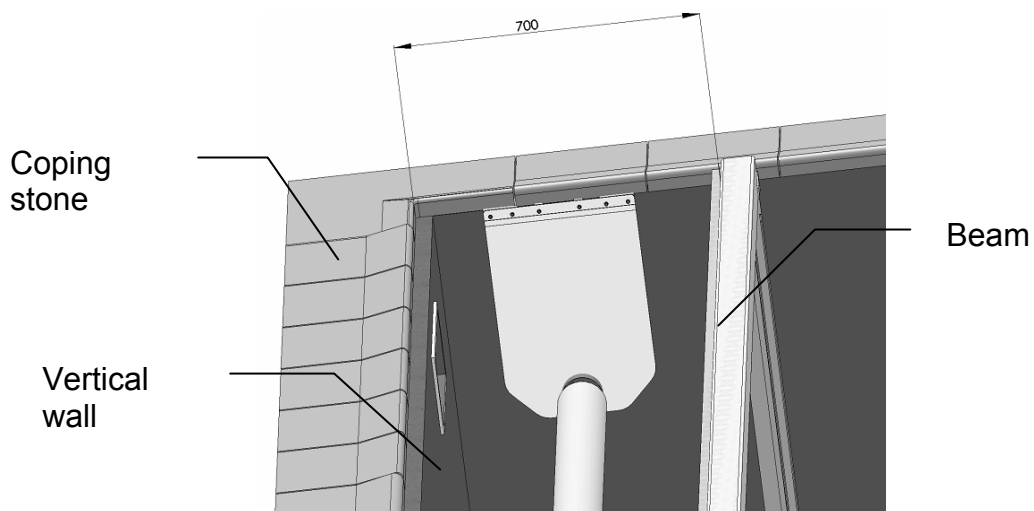


INSTALLATION OF BEAM'S CASES

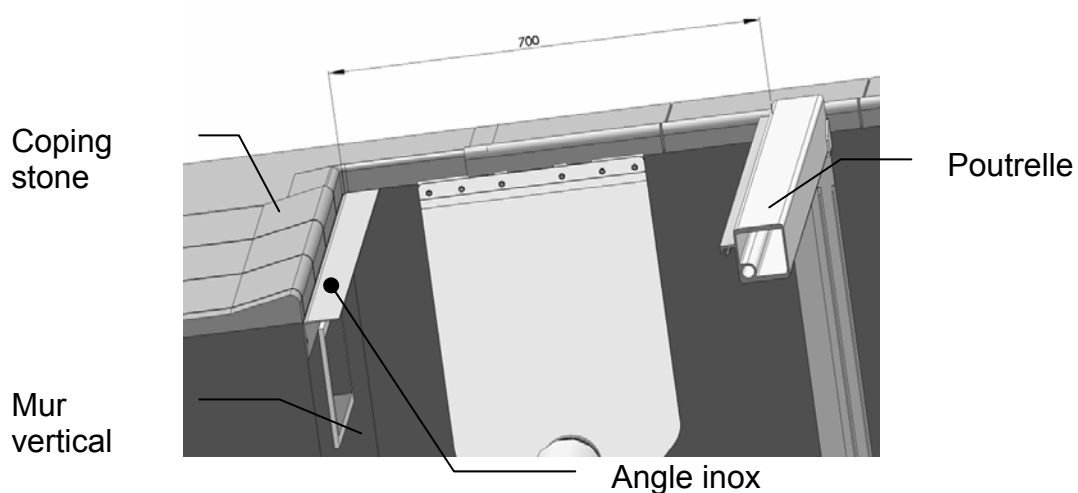
The installation of the beam's cases is rigorous. Two cases can come up:

A) With coping recoiling from 50mm/ vertical wall of the pool:

The coping stones have been cut (in the case of existing coping stone) or installed moving back from 50 mm (new pool)



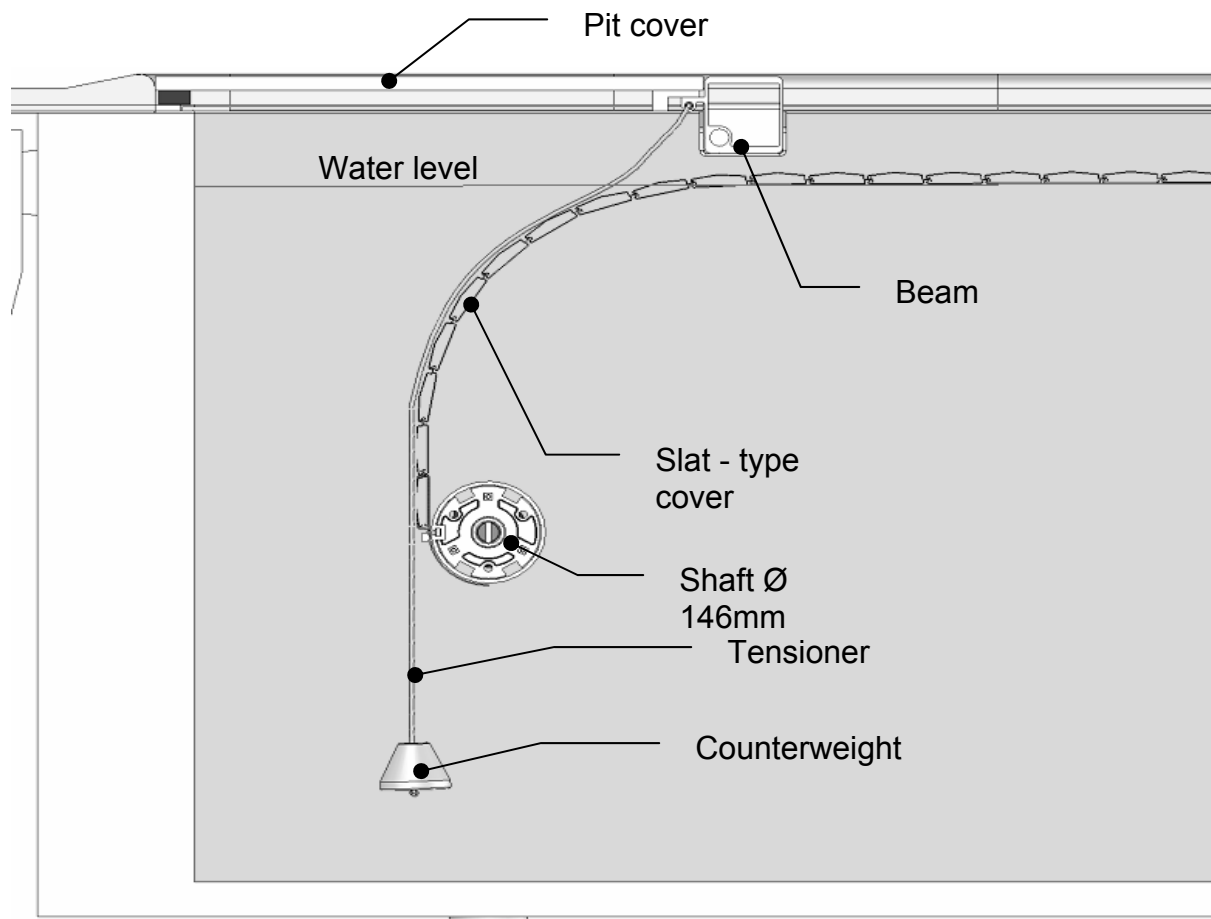
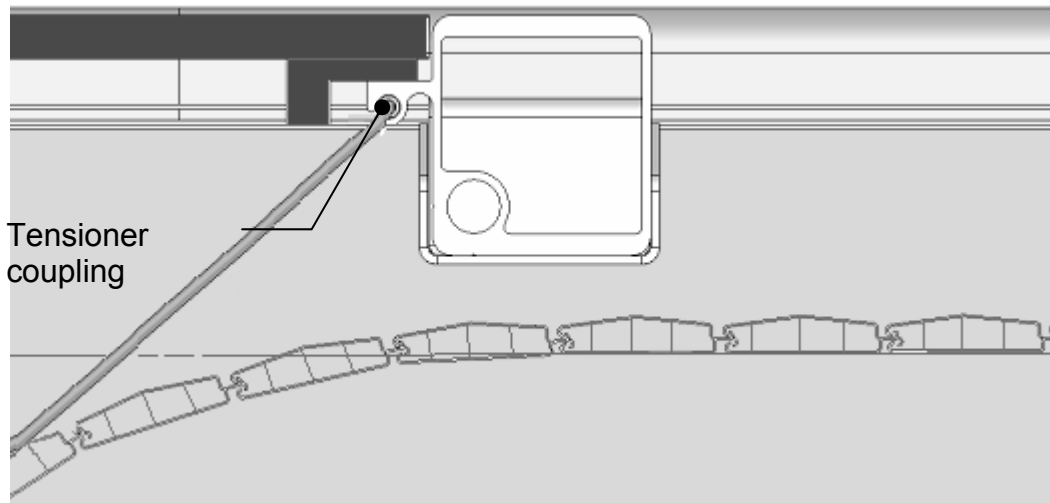
B) Without coping stone, with stainless steel frames angles to attach to the wall:



Note: In the case of a model with partition, see also page 13/25

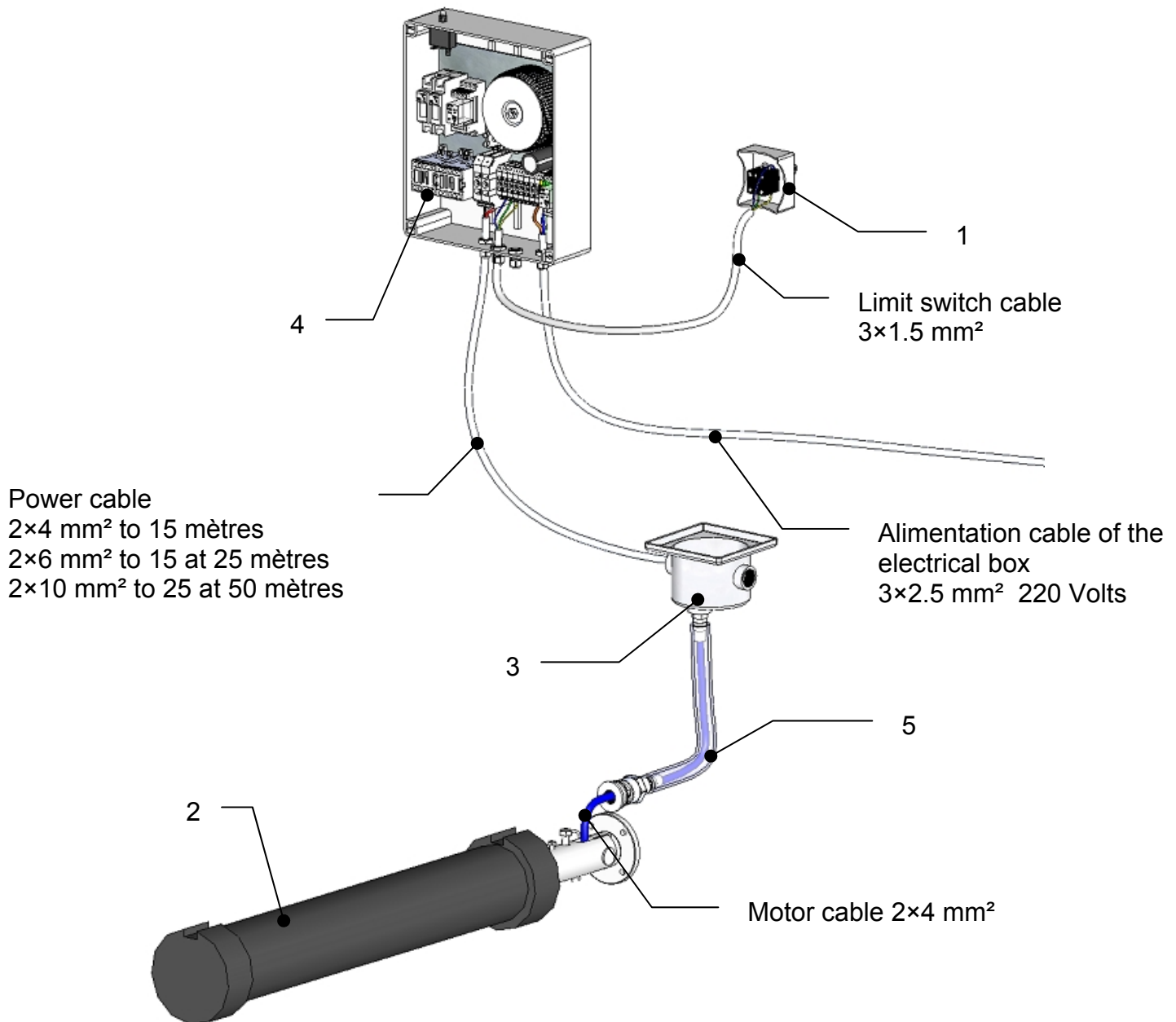
MOUNTING OF BEAM AND COUNTERWEIGHTS

- 1: Place the two beam support brackets on the embedding parts for the beam support, previously fixed, or directly on the wall, using screws.
- 2: Slide the counterweights along the beam slot and place Aluminium beam on support bracket.
- 3: Adjust the length of the counterweight when cover is completely unrolled over the pool surface. The counterweight should not touch the floor.
- 4: Place pit cover as indicated in the diagram (note: the beam section has been calculated to withstand pit cover only. Do not cover with concrete slabs).



ELECTRICAL INSTALLATION

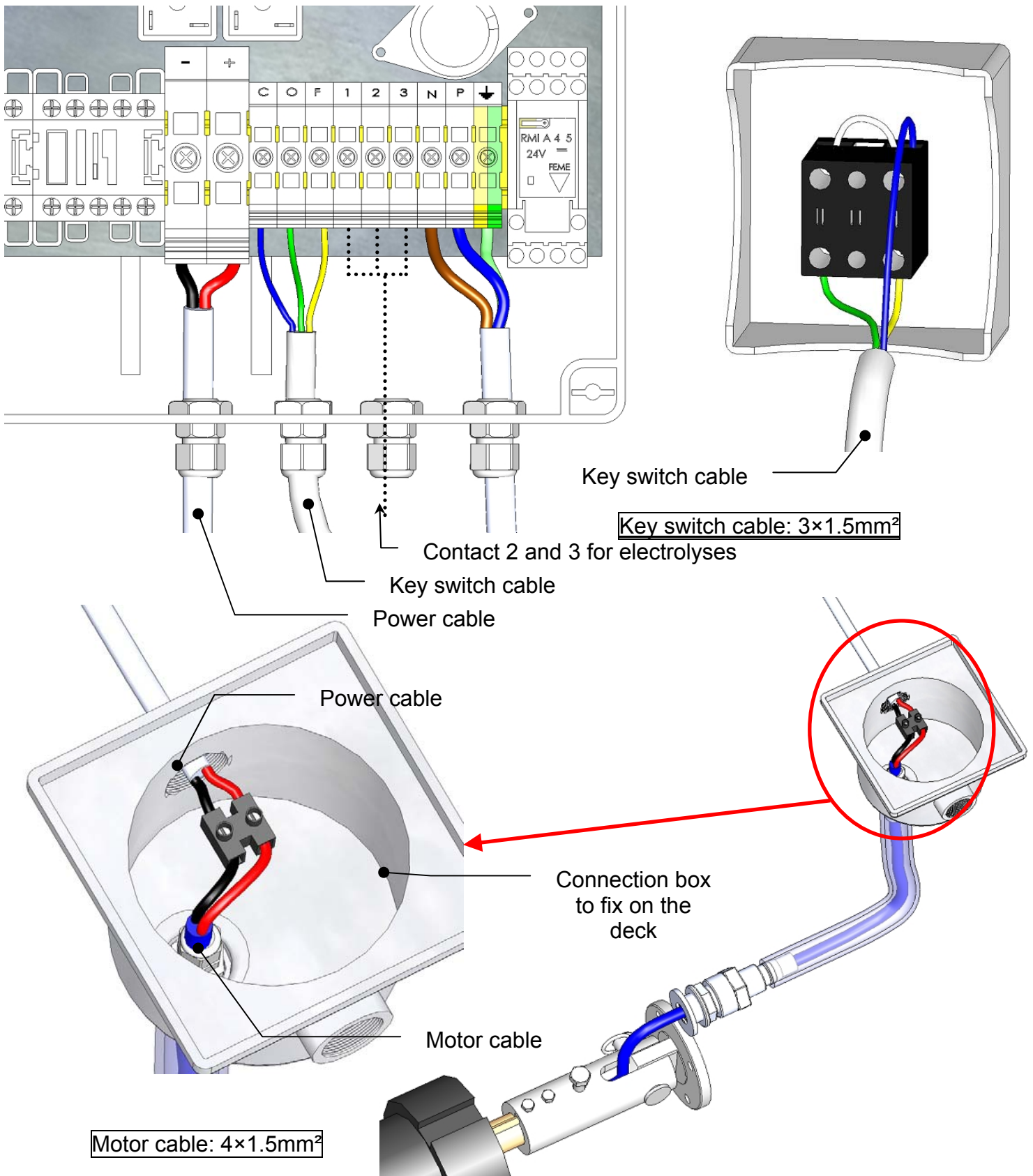
The electrical installation must be done in accordance with C15100 and P91C by a properly trained and qualified electrician
Protect the 220 Volts power for the box with a 30 mA circuit breaker (Not included)



- 1: Key switch
- 2: Shaft with motor; 120Nm; 24 Volts
- 3: Connection box to fix on the deck
- 4: Electrical box (in technical room)
- 5: Stand with passage of cable

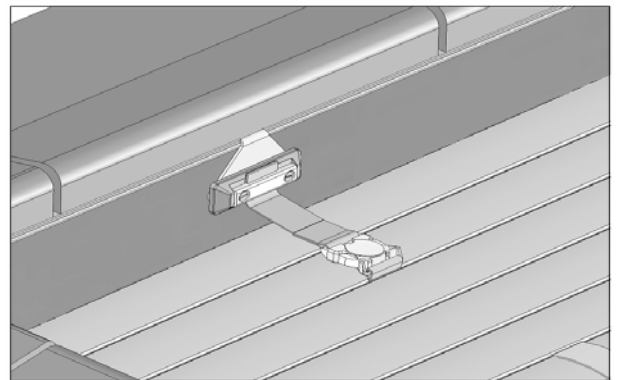
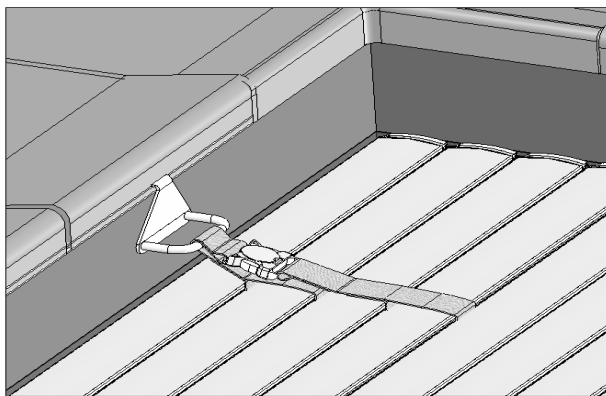
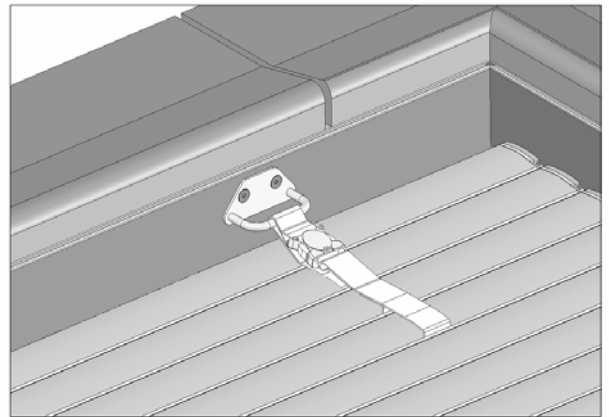
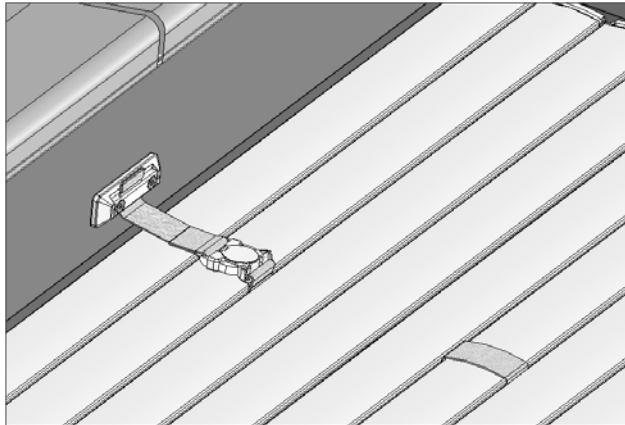
NOTE: In the presence of a salt electrolysis, the auxiliary's contract 2 and 3 (contact closed = cover closed) will have to be connected to the electrolyser in order to avoid the on-chlorination of the swimming pool's water (see the electrolyser's documentation for the connexion)

ELECTRICAL CONNECTIONS



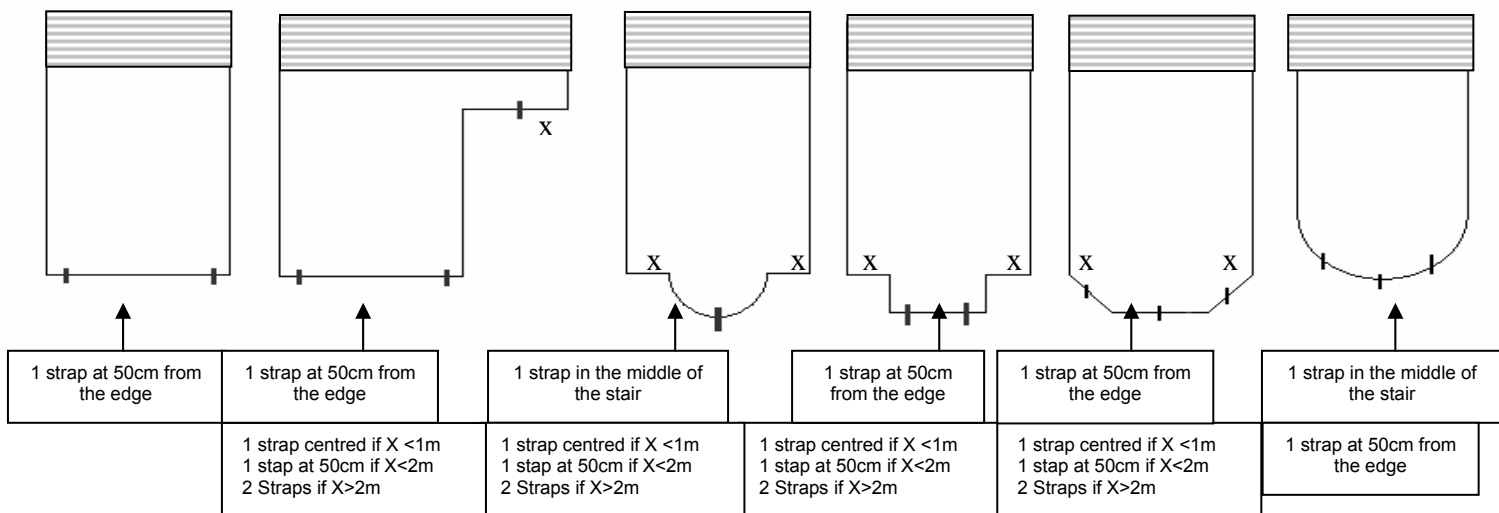
Note: in the case of a connection of electrolysis of salt.
 The contact 1 = COMMUN
 The contact 2 = Contact NORMALLY OPENING
 The contact 3 = Contact NORMALEMY CLOSED

BRACKET AND STRAP POSITION



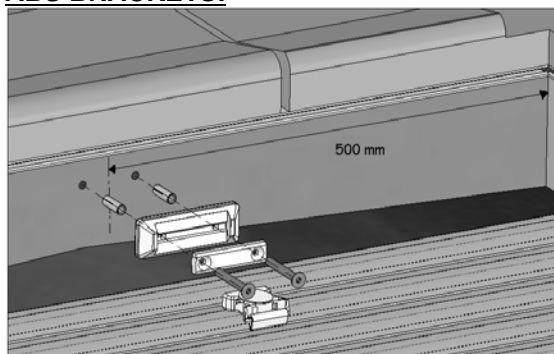
Warning: The position of the brackets is subject to the position of the skimmers in the pool. If these lasts bother the positioning of the safety Brackets, the positioning of the Brackets will be done taking into account the safety Brackets on the slats panels (If necessary move the straps)

POSITION OF BRACKETS AND THE STRAPS

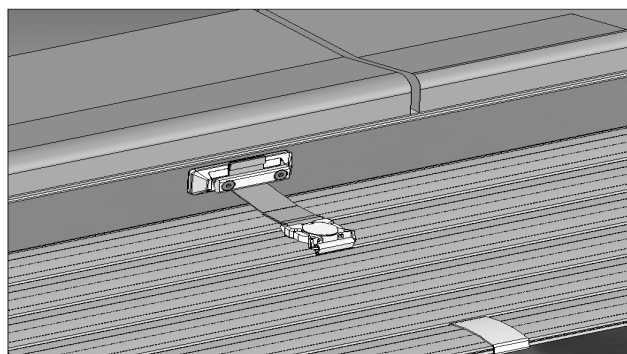


SAFETY BRACKETS POSITIONING:

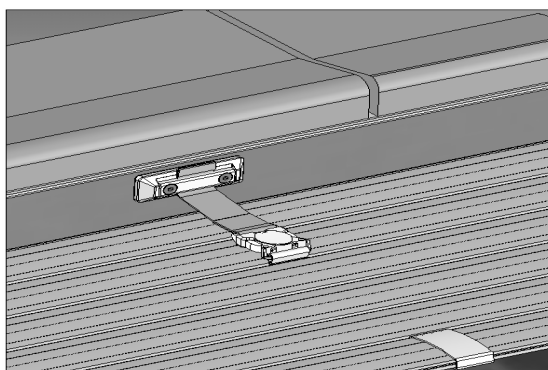
ABS BRACKETS:



1) When positioning the brackets make sure the shaft of the brackets is placed at 500 mm from the edge of the pool.

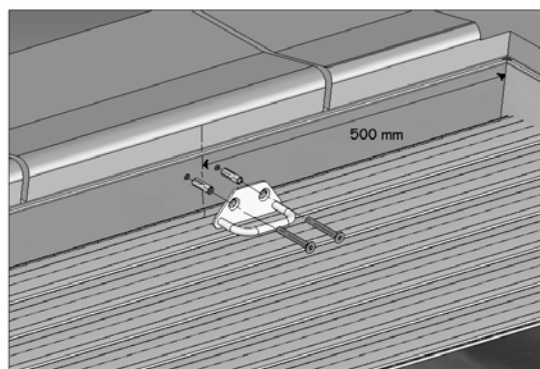


2) Pin the supports. Put the strap between the fixation plate and the bracket and keep the strap tense.

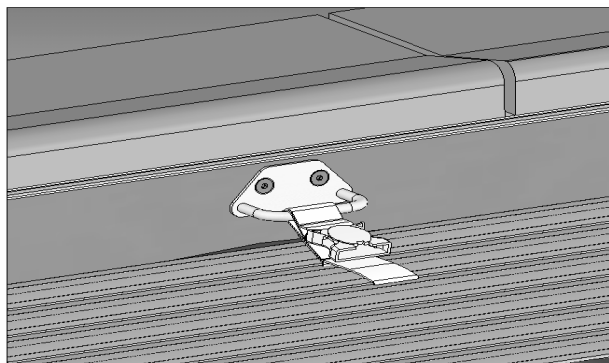


3) Tighten the screws until complete closing of the brackets.

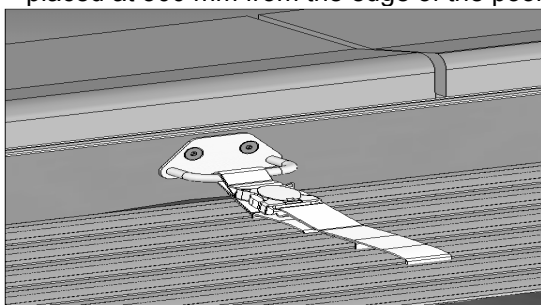
Bracket Inox to be fixed to the wall + screws:



1) When positioning the safety brackets the shaft of the brackets must be return type placed at 500 mm from the edge of the pool.

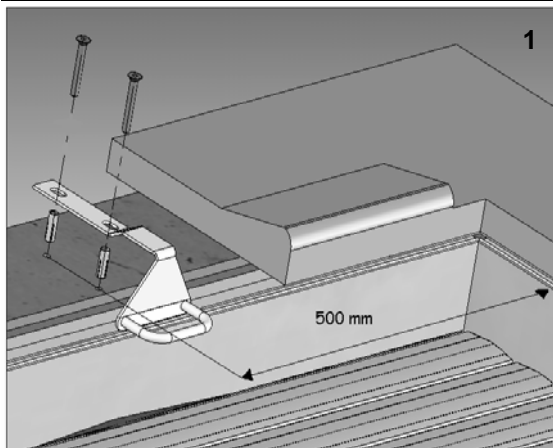


2) Screw the supports.
Put the return safety strap.

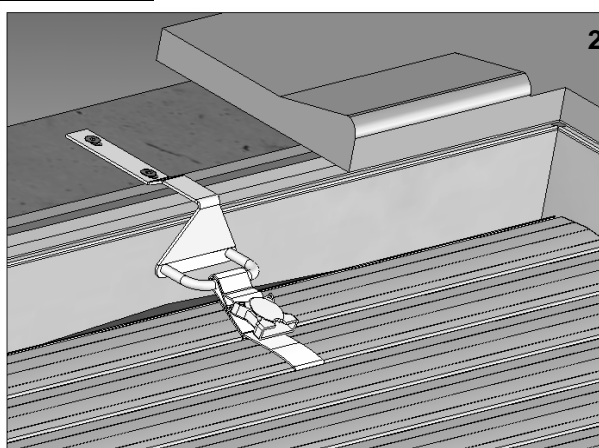


3) Clip both sides together.

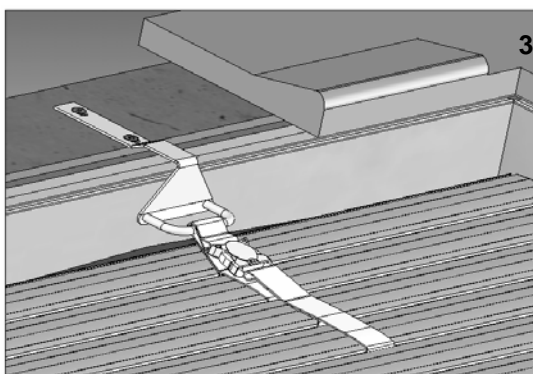
Inox Bracket for model under construction + screws:



1) When positioning the safety brackets, The shaft of the brackets must be put at 500 mm from the edge of the pool.

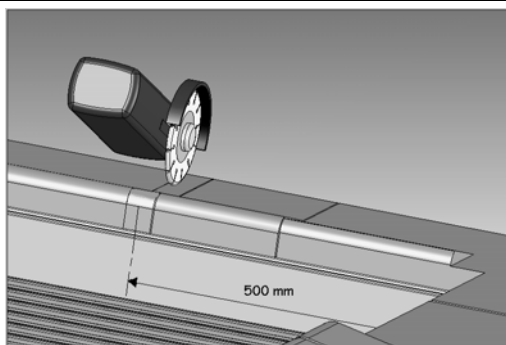


2) Put the pin M8 in the Ø10 wholes. Screw until complete closing of the brackets. Put the return safety strap in the brackets.

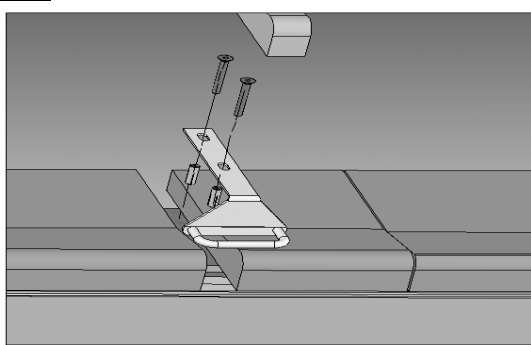
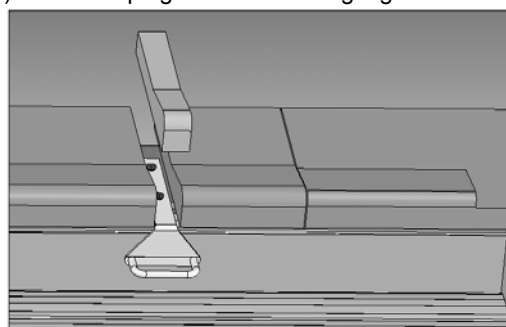


3) Clip both sides together.

Inox Brackets for renovation model + screws:

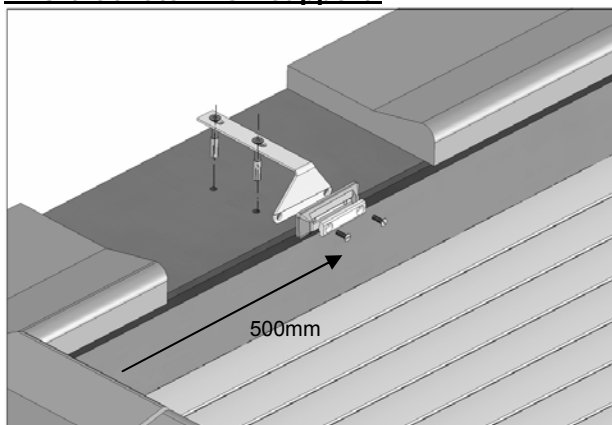


1) Cut the coping stone with a angle grinder

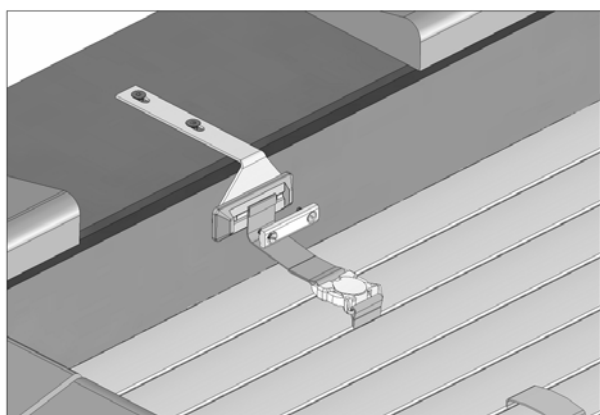


2) Make two Ø10 wholes. Place the M8 pin in the wholes. Screw until complete closing of the safety brackets. Put the straps through as per drawings 2 and 3.

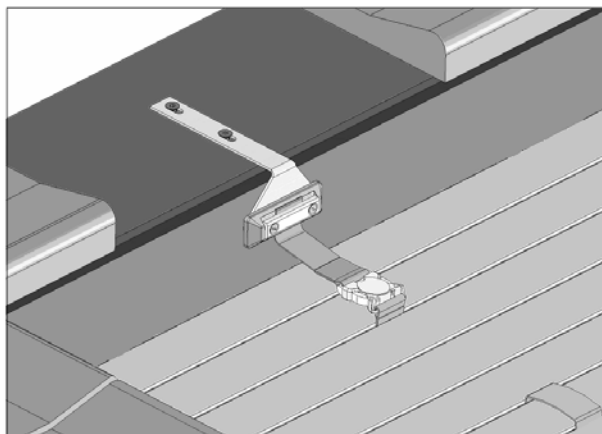
3) Replace the coping stone cut with an adequate product.

ABS brackets INOX support:

1) When placing the safety brackets, The shaft of the brackets must be placed at 500 mm from the edge of the pool.



2) Screw the supports. Put the strap through the fixation plate and the strap. Clip both sides of the strap and keep it tense.



3) Tighten the screws until complete closing of the brackets.

ATTESTATION DE CONFORMITE

aux exigences de sécurité de la norme NF P 90-308 (mai 2004)

Éléments de protection pour piscines enterrées non closes privatives à usage individuel ou collectif – Couvertures de sécurité et dispositifs d'accrochage

*Certificate of Conformity with the safety requirements of NF P 90-308 (May 2004) Standard
Protective elements for in-ground, barrier-free, private or collective use swimming pools – Safety covers and securing devices*

Type de couverture de sécurité : Couverture de type volet automatique
Type of safety cover:

Modèle : ROUSSILLON
Model

Fabricant : EUROPEENNE DE COUVERTURE AUTOMATIQUE
Manufacturer:
661 rue J.B. Biot – Espace Polygone
66000 PERPIGNAN

Demandeur de l'attestation : EUROPEENNE DE COUVERTURE AUTOMATIQUE
Applicant:
661 rue J.B. Biot – Espace Polygone
66000 PERPIGNAN

Au vu du rapport d'examen sur dossier référencé E020017/CQPE/5, la couverture essayée est déclarée conforme aux exigences du document de référence.

On the basis of the results contained in the report reference E020017/CQPE/5, the safety cover tested is declared in conformity with the requirements of the above referenced document.

Trappes, le 2 novembre 2004

Le Chef de la Division
Produits pour l'Enfance
Head of Childhood Products Division




Nicole COURCAULT

Cette attestation est délivrée dans les conditions suivantes :

- Elle ne s'applique qu'à l'article essayé et pour les essais réalisés ou pour les informations qui sont consignés dans le rapport référencé ci-dessus. **Le LNE décline toute responsabilité en cas de non-conformité d'un des éléments de l'article essayé pour lequel le demandeur a fourni au LNE un certificat ou une garantie de la conformité aux normes en vigueur, le demandeur étant seul responsable de la véracité des documents qu'il produit au LNE.***
- Elle n'implique pas qu'une procédure de surveillance ou de contrôle de fabrication ait été mise en place par le LNE.
- La conformité à la norme référencée ci-dessus n'exonère pas de la conformité à la réglementation en vigueur.
- Des copies peuvent être délivrées sur simple demande auprès du demandeur.

This certificate is issued under the following conditions:

- It applies only to the tested item and to the tests or information specified in the report referenced above. **The LNE declines any responsibility in the event of non conformity for one of the elements of the article tested for which the applicant provided to the LNE a certificate or a guarantee of the compliance with the standards in force, the applicant being the only person responsible of the veracity of the documents that he produces to the LNE.****
- It does not imply that LNE has performed any surveillance or control of its manufacture.*
- The conformity to the above referenced standard does not exempt from the conformity to the regulation in force.*
- Copies are available upon request by the applicant.*



www.astralpool.com

WE RESERVE THE RIGHT TO CHANGE ALL OR PART OF THE FEATURES OF ARTICLES OR
CONTENTS OF THIS DOCUMENT, WITHOUT PRIOR NOTICE