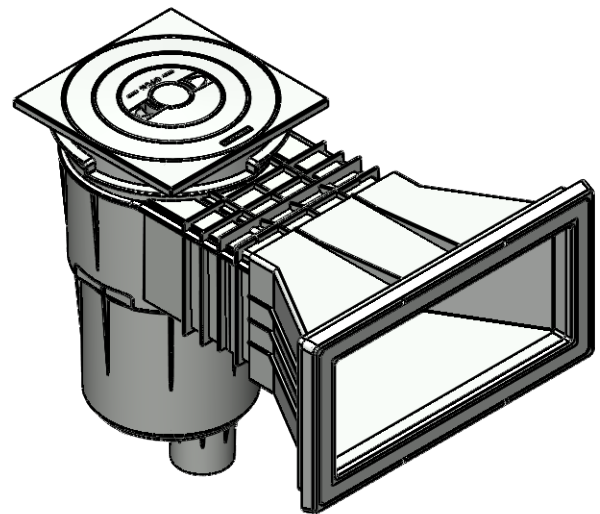
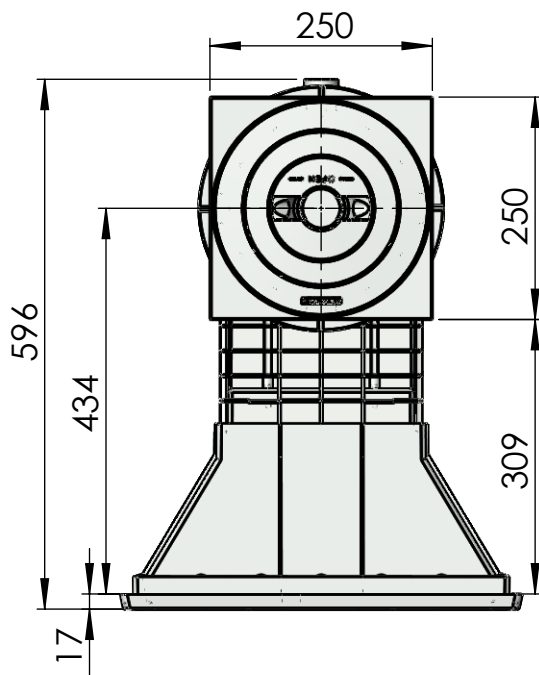
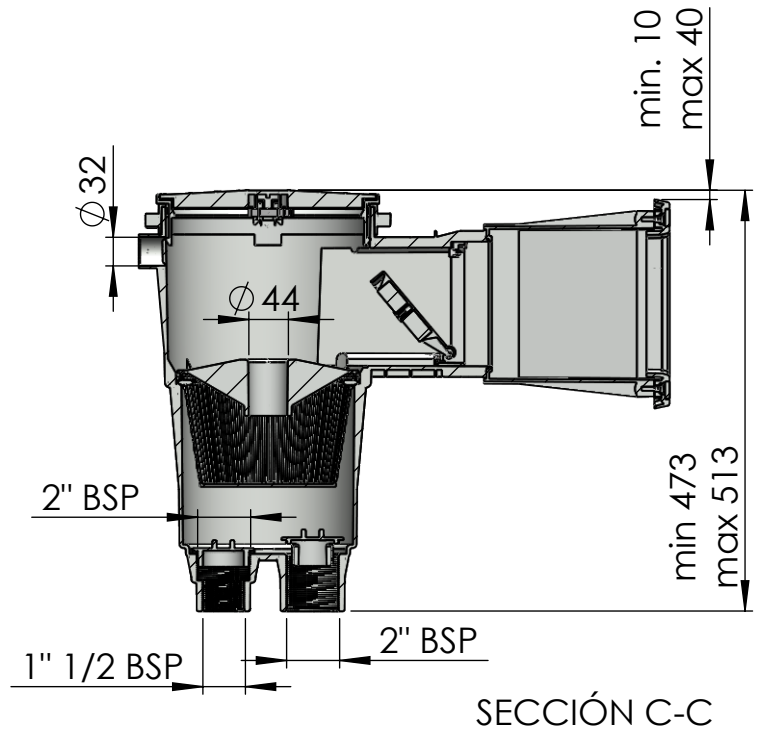
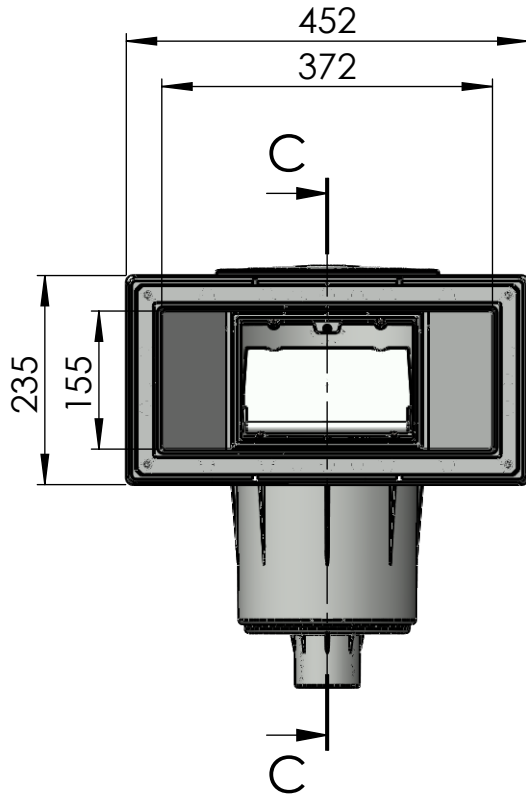


CODIGO / CODE: 11304

DESCRIPCION: SKIMMER 17,5L PH B.AMP. T.CUAD

DESCRIPTION: 17.5L SKIMMER WITH WIDE MOUTH AND FACE PLATE



Nota: Unidades en mm  
Note: Units in mm