



www.torytrans.com

TORYTRANS, S.L
 Ctra. Valdepeñas km. 1,5
 Pol. Ind. San Jorge, C/ Pitágoras, 1
 13270 ALMAGRO (Ciudad Real) SPAIN
 Tel: (34) 926861449 – Fax: (34)
 926861410
 torytrans@torytrans.com

TECHNICAL SPECIFICATIONS

Date: 03-09-2020

Nº: 170258

Rev.: 1

General characteristics

Description	Single phase swimming-pool transformer
Torytrans code	EPC400-1
Fluidra reference	35385
Standard	IEC / EN 61558-2-6

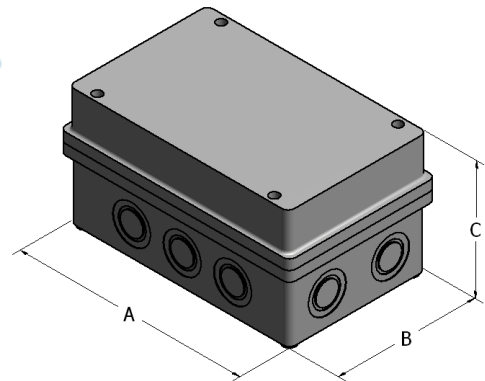


Electrical characteristics

Type	Dry
Power rating	400 VA
Input voltage	230 V
Output voltage	12 ÷ 17 V
Frequency	50/60 Hz
Ambient temperature	40 °C
Service	Continuous
Insulation class	F - 155°C
Thermal dissipation	33 W
Test voltage between windings	4 kV @ 50 Hz 1 min
Test voltage between windings and ground	2 kV @ 50 Hz 1 min
Protection against overcharge and overheat	Thermal protector included
Protection against short circuits	Fuse T 1,6A in series at the primary circuit
Protection degree	IP65 - Class II
Enclosure	Polycarbonate box



Dimensions (A x B x C) = 220 x 170 x 120 mm
 Weight = 5,5 kg



ASTRALPOOL
22238108

EN61558-2-6

LOW VOLTAGE UNDERWATER LIGHTING TRANSFORMER

(FOR SWIMMING POOLS, FOUNTAINS, SPA, ETC.)

MAX. OUTPUT POWER 400VA / 12-13-14-15-16-17V / 25A

WATER-PROOF / IP-65

EPC400-1

IF OVERLOADED, INTERNAL THERMAL SWITCH WILL TRIP. AUTOMATIC RESET MAY TAKE 15 TO 20 MINUTES.