

calpeda pumps

2900 rpm

Calpeda Pumps

Ideally suited for swimming pool filtration applications, these centrifugal pumps are available in cast iron or bronze.



Water temperature:

To 60°C



Room Temperature:

To 40°C



Total suction lift:

To 7 metres (for most applications)



Maximum permissible working pressure:

6 Bar



Motor:

- 2-Pole induction motor 50Hz
- Three phase - 230/400V (+/-10%) up to 3kW
- Three phase - 400/690V (+/-10%) from 4kW to 11kW
- High EFF motors 80-87% with power factors not less than 0.83-0.9



Special Features on Request:

- Bronze impeller
- 60Hz frequency
- IP55 protection
- Higher ambient room temperature available

Standard Features

- Cast Iron Impeller
- Integral Strainer Box
- Mechanically Sealed Shaft
- Stainless Steel (AISI 303) Shaft
- Cast Iron Body (Bronze on request)
- Stainless Steel (AISI 304) Strainer Basket
- Self Priming
- Insulation Class F
- IP54 Protection Rated

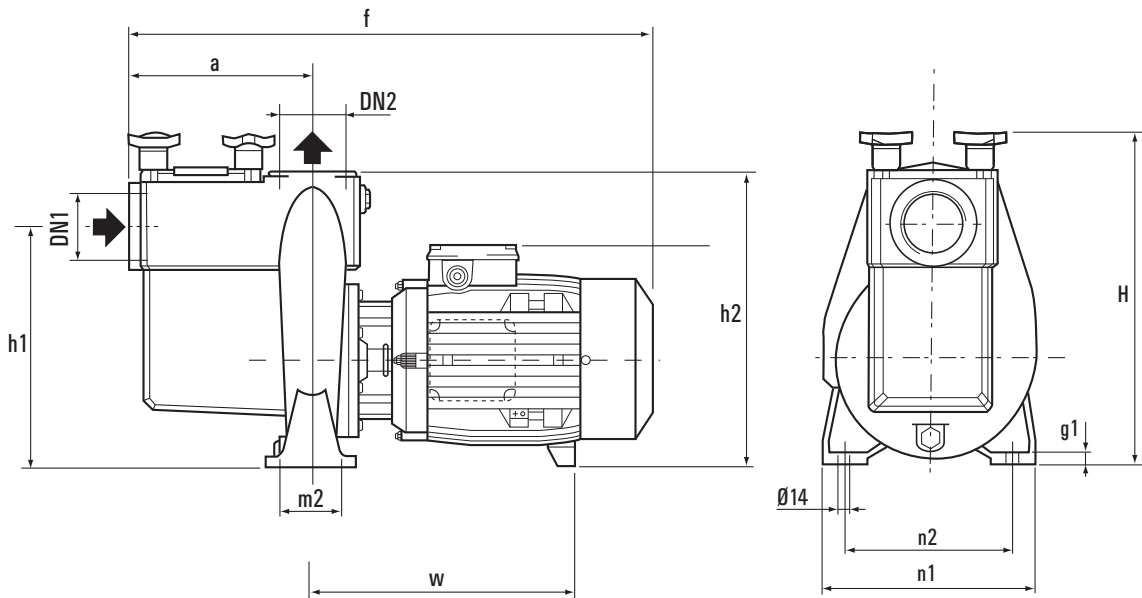
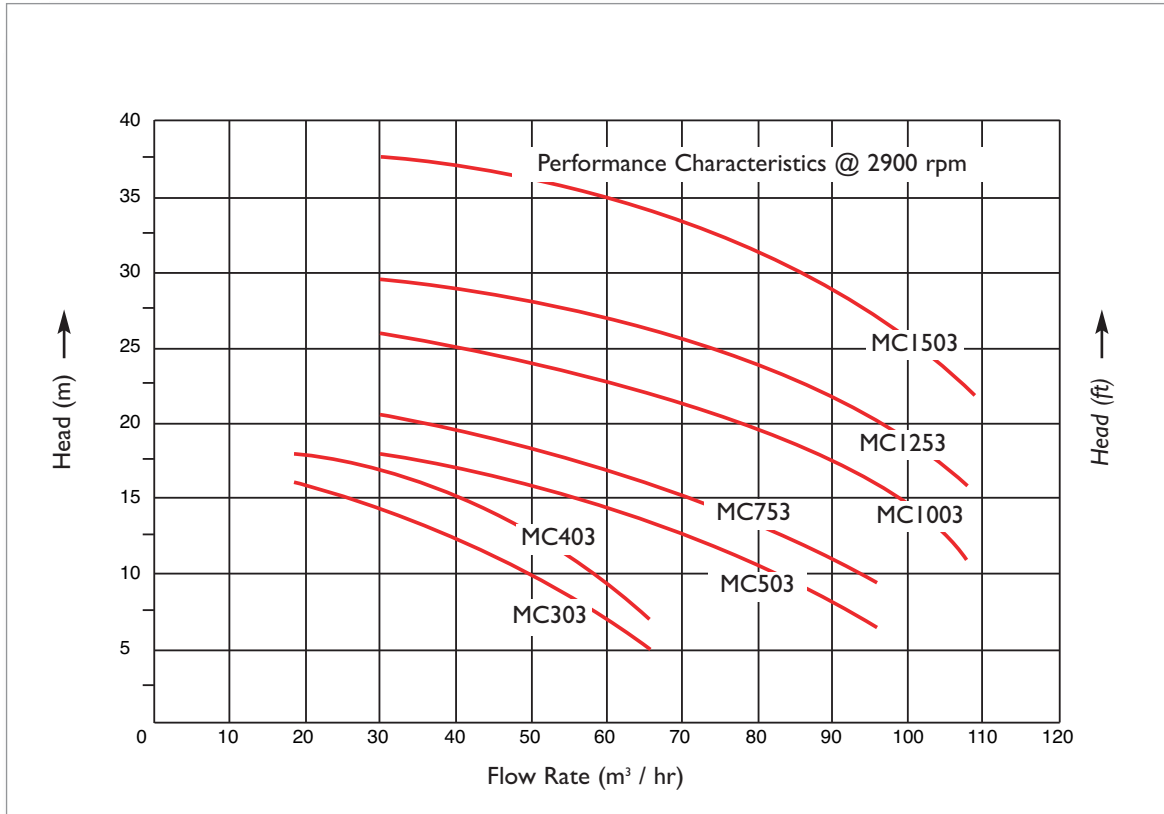


Calpeda Commercial Pumps

Code	Phase	Description	Running Current
MC303	3	3.0HP (2.2kW)	5.3 Amp
MC403	3	4.0HP (3.0kW)	6.6 Amp
MC553	3	5.5HP (4.1kW)	9.6 Amp
MC753	3	7.5HP (5.6kW)	12.0 Amp
MC1003	3	10.0HP (7.5kW)	16.0 Amp
MC1253	3	12.5HP (9.2kW)	20.0 Amp
MC1503	3	15.0HP (11.0kW)	24.0 Amp

Design improvements may invalidate the dimensions. Latest drawings are available on request

- All dimensions are in mm
- All weights shown are in kg
- DN1 and DN2 are female thread connections



 **Calpeda Commercial Pumps Dimensions - 3HP to 15HP**

Code	Model	DN1	DN2	a	f	h1	h2	H	m2	n1	n2	w	g1	Weight
MC303	3HP	2.5" BSP	2.5" BSP	205	518	262	322	360	70	240	190	234	12	36
MC403	4HP	2.5" BSP	2.5" BSP	205	567	262	322	360	70	240	190	278	12	43
MC553	5.5HP	3" BSP	3" BSP	320	692	360	440	470	95	280	212	278	15	76
MC753	7.5HP	3" BSP	3" BSP	320	748	360	440	470	95	280	212	319	15	87
MC1003	10HP	3" BSP	3" BSP	320	748	360	440	470	95	280	212	319	15	93
MC1253	12.5HP	3" BSP	3" BSP	320	858	360	440	470	95	280	212	408	15	116
MC1503	15HP	3" BSP	3" BSP	320	858	360	440	470	95	280	212	408	15	122

heavy duty edition 3



commercial



design



performance

