



VIRON QL

ENVIRONMENTALLY FRIENDLY CARTRIDGE FILTER



EASY TO INSTALL AND MAINTAIN

The use of four state-of-the-art filter elements provides enormous capacity enabling prolonged intervals of up to a year between each cleaning operation or cartridge replacement.

An inbuilt automatic air bleed system also reduces the manual air bleeding process simplifying the routine maintenance program and saving precious time.



ECO FRIENDLY

Viron QL is designed to reduce power consumption and save between 8,000 and 20,000 liters of water each year.

It doesn't need regular flushing like sand or glass media filters, which means it saves the equivalent of 37 hours of shower time in water.



LONG LIFE TANK

Both Viron QL420 and QL540 are made from long-lasting quality components.

The injection-molded plastic design is suitable for high-pressure applications and is made up of non-corrosive materials providing ready access to all elements.

Fine-tolerance manufacturing increases life and reduces ongoing maintenance.



FOR ALL POOLS

The Viron QL series of cartridge filters are engineered for 39 m² or 50 m² filter areas providing outstanding reliability and performance for any residential or commercial swimming pool or spa.



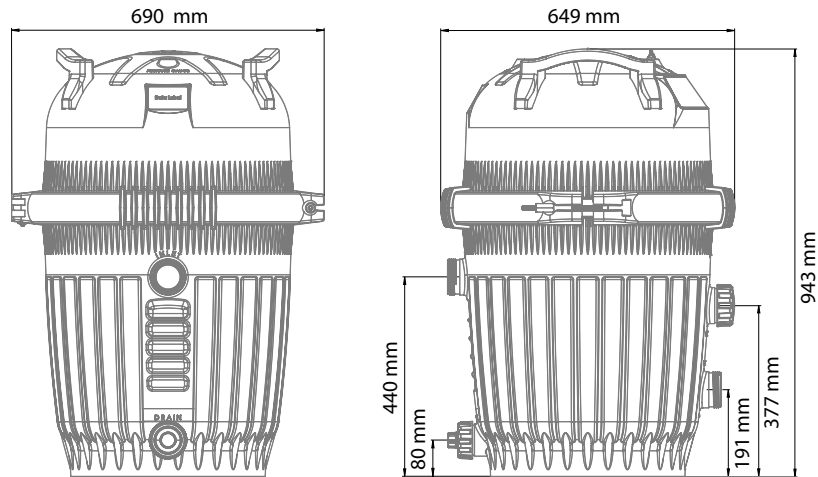
Complies with Standard
EN 16713-01

TECHNICAL FEATURES

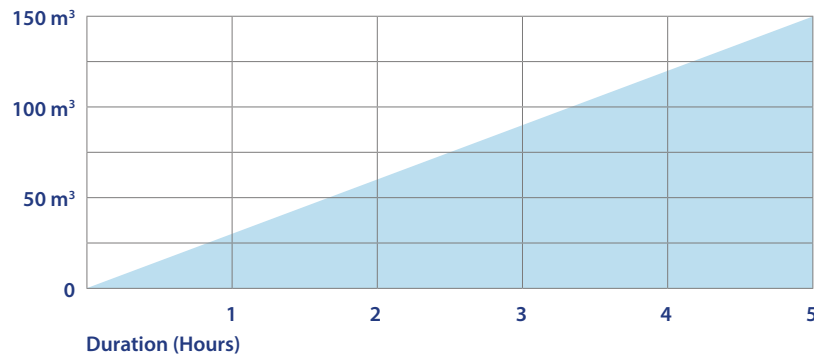
MODEL	FILTRATION AREA	MAXIMUM FLOW RATE	MAXIMUM PRESSURE	FILTRATION FINENESS
Viron QL 420	39 m ²	30 m ³ /h	3.5 bar	5-7 microns
Viron QL 540	50 m ²	30 m ³ /h	3.5 bar	5-7 microns

Includes water purge, oil pressure gauge and connection accessories.

DIMENSIONS



TURNOVER CAPACITY FOR RESIDENTIAL POOLS



MODELS AND CODES

MODEL	CODE	STANDARD PACK	STANDARD WEIGHT (kg)	STANDARD VOLUME (m ³)
Viron QL 420 cartridge filter	76340	1	35	0,450
Viron QL 540 cartridge filter	76341	1	40	0,450
Filter element (1 of 4 units used) Replacement for 76340 (QL 420)	74544	1	1,9	0,021
Filter element (1 of 4 units used) Replacement for 76341 (QL 540)	74545	1	2,1	0,021