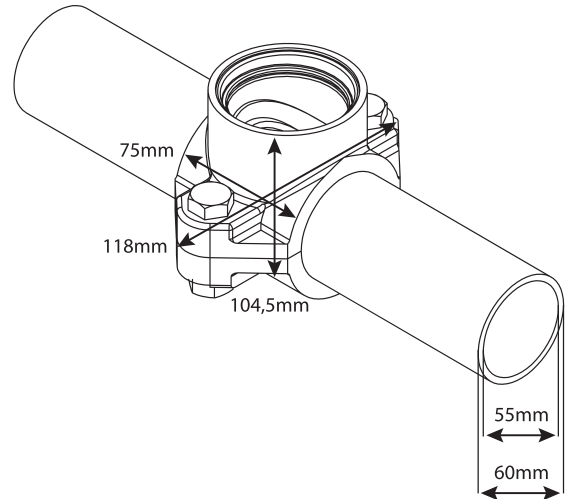
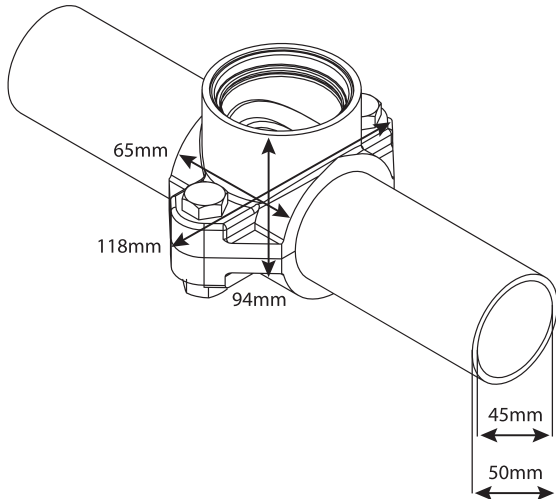
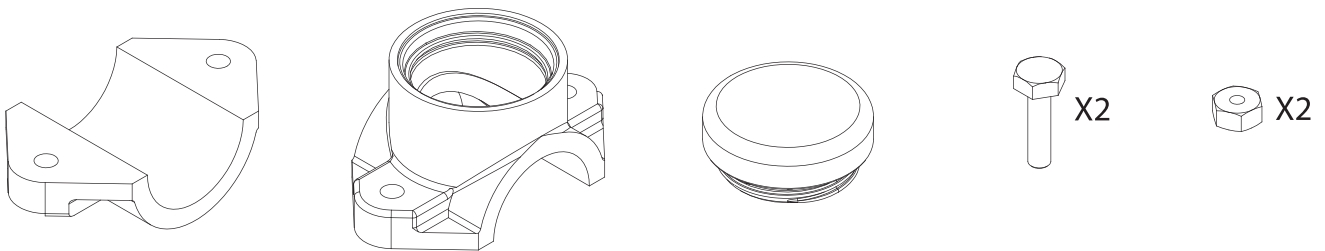


Technical Sheet

Name	Fit50 / Fit60
Brand	Blueriot
Manufacturer	Riiot Labs
Reference	Blue Fit50: 7015C002 Blue Fit60: 71882
Dimensions	



Weight	244 g
Colors	Black
Box content	1 x hose clamp 1 x seal (already placed inside the hose clamp) 1 x cap 2 x bolts



Temperature limits	0°C to 50°C
Warranties	2 years
Certifications	CE/FCC