



Viron P320 eVo  
Viron P600 eVo  
Pool and Spa Pumps



## ORIGINAL INSTRUCTIONS



Viron P320 eVo



Viron P600 eVo

## Evidence of Conformity

METALAST or ASTRAL POOL in Sabadell, as a responsible for the importation to Europe.

And Declares under their own responsibility that all the pumps: Viron eVo Pool Pump, single phase, manufactured since 01/01/12, independent of the serial number, are in compliance with

- 2006/42/EC Machine Directive Safety prescriptions
- 2004/108/EC Electromagnetic compatibility Directive
- 2006/95/EC, Low voltage Directive
- 2000/14/EC Noise emission Directive
- EN 60034/1 Rotating Machine
- EN 61000/4/2 Electro Magnetic Immunity
- EN 60446/1 Household Appliances
- EN 60335-2-41/A1:2004



SERIOUS INJURY OR DEATH MAY OCCUR IF THIS PRODUCT IS NOT USED, OPERATED OR INSTALLED ACCORDING TO THESE INSTRUCTIONS AND RELEVANT AUSTRALIAN STANDARDS/OR LOCAL STANDARDS.

**WARNING**



THIS APPLIANCE CAN BE USED BY CHILDREN FROM 8 YEARS AND ABOVE AND PERSONS WITH REDUCED PHYSICAL SENSORY OR MENTAL CAPABILITIES OR LACK OF EXPERIENCE AND KNOWLEDGE IF THEY HAVE BEEN GIVEN SUPERVISION OR INSTRUCTION CONCERNING USE OF THE APPLIANCE IN A SAFE WAY AND UNDERSTAND THE HAZARDS INVOLVED.

**WARNING**



CLEANING AND USER MAINTENANCE SHALL NOT BE MADE BY CHILDREN WITHOUT SUPERVISION.

TO AVIOD A SAFETY HAZARD, THE SUPPLY CORD IF DAMAGED, MUST ONLY BE REPLACED BY ASTRALPOOL OR ITS SERVICE AGENT OR A SUITABLY QUALIFIED PERSON

**WARNING**



PUMP PRODUCES HIGH PRESSURES – STAND CLEAR OF PUMP AND ALL FILTRATION EQUIPMENT DURING START UP

**WARNING**



PUMP MUST ONLY BE INSTALLED BY A QUALIFIED POOL INDUSTRY PROFESSIONAL. INSTALLERS, OPERATORS AND OWNERS MUST READ THESE INSTRUCTIONS BEFORE USE.

**WARNING**



PUMP AUTOMATICALLY RESTARTS AFTER HIGH LIMIT OPERATION, DISCONNECT POWER TO PUMP BEFORE MAINTENANCE OR REPAIR

**WARNING**



INCORRECT SETTING OF THE SPEEDS ON THIS PUMP MAY CAUSE ADVERSE FILTRATION OR OPERATION OF THE SWIMMING POOL OR SPA. ENSURE PUMP IS INSTALLED, SET AND COMMISSIONED BY AN AUTHORISED ASTRALPOOL DEALER.

## GENERAL

---

The Viron EVO Pool Pump is a unique variable-speed permanent magnet DC motor combined with an energy efficient pump wet end. When installed and plumbed correctly, the Viron EVO will significantly reduce operating costs, lower noise levels and reduce greenhouse emissions.

The Viron EVO Pool Pump range is available in a variety of models, with the following factory set speeds which offer approximate flow rates:

Model	High	Medium	Low
Viron P320 EVO	19.2m <sup>3</sup> /h	12.36m <sup>3</sup> /h	7.68m <sup>3</sup> /h
Viron P600 EVO	36.0m <sup>3</sup> /h	25.56m <sup>3</sup> /h	12.0m <sup>3</sup> /h

(Flow rates based on a maximum speed at 8 m total dynamic head).

Each speed can be easily changed to suit your pool size, filter, plumbing and application. The Viron eVo Series pumps must be installed by a pool professional trained by AstralPool to ensure it has been selected for the correct application, correctly installed and set up to suit your pool and its operation fully explained to you.

## FEATURES

---

- Continuous duty rated motor
- Precision reinforced moulded high head impeller, giving extra performance
- Single piece moulded body for added strength and longer life
- Rapid priming diffuser quickly corrects loss of water flow
- Quick and easy disassembly for servicing
- Large capacity basket with easily removed ramp on lid
- Ability to adjust factory preset speeds for optimum water flow and maximum energy savings for your pool and its equipment.
- Double Insulated water circuit for maximum electrical protection

Fig. 1

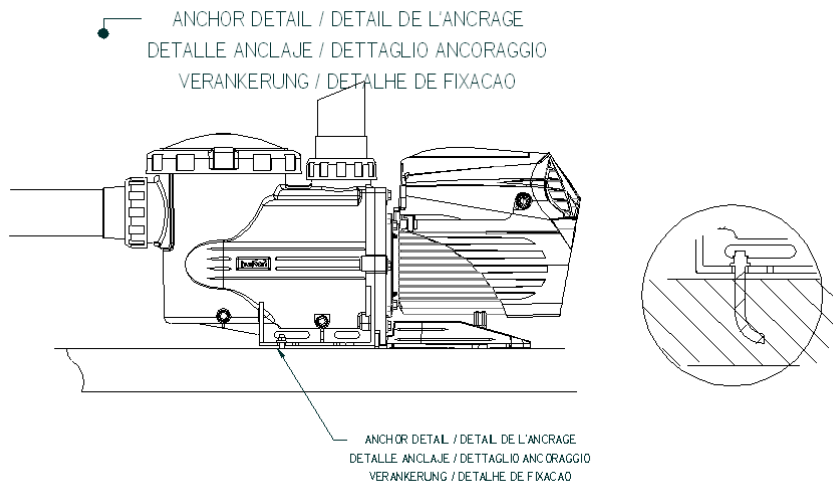


Fig. 2

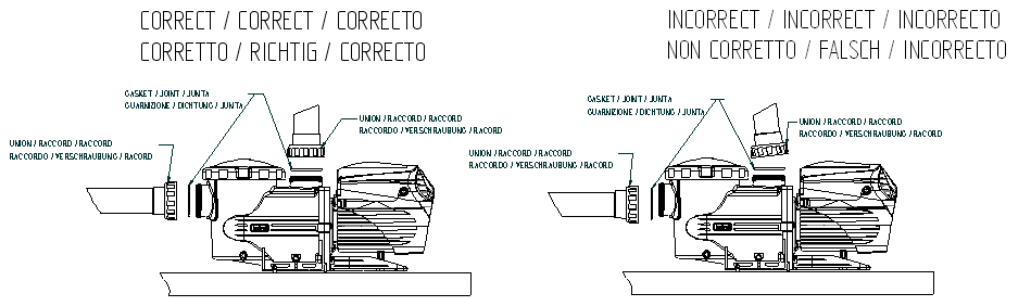


Fig. 3

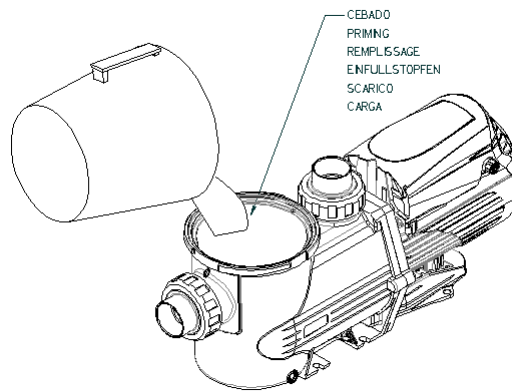


Fig. 4

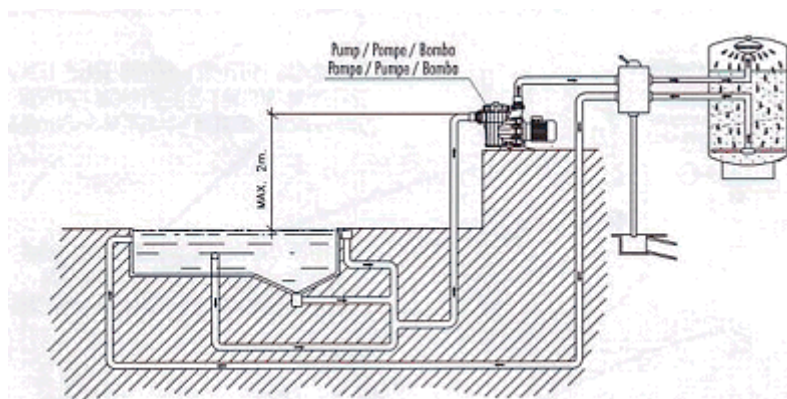
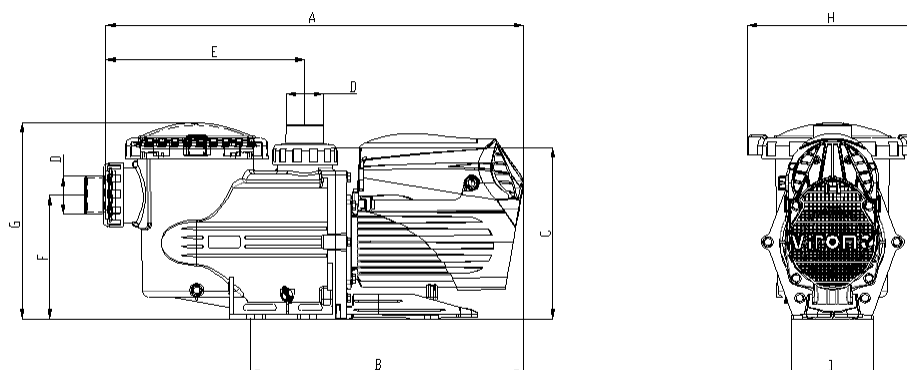


Fig. 5

TECHNICAL CHARACTERISTICS / RENSEIGNEMENTS TECHNIQUES  
 CARACTERISTICAS TECNICAS / DATI TECNICI  
 TECHNISCHE ANGABEN / CARACTERISTICAS TECNICAS



CODE.	DBA MAX	mm	B mm	C mm	E mm	F mm	G mm	H mm	I mm	D mm
56550	63	622	480	300	265	215	345	180	120	50
56551	63	720	480	300	335	215	345	300	120	50
56552	63	720	480	300	335	215	345	300	120	50

## INSTALLATION

---

This appliance must be installed by a trained pool professional service technician. When installing the appliance, ensure all parts are installed in the correct zone in accordance with the wiring rules. In particular refer to AS/NZS 3000 (Australia) and EN 60364 (EU).

The appliance is not intended for use by person including young children or infirm persons with reduced physical, sensory or mental capabilities, or lack of experience or knowledge, unless they have been given supervision or instruction concerning use of the appliance by a person responsible for their safety.

Please ensure that young children are supervised to ensure that they do not play with the pump.

Once the pump has been removed from the box, it should be handled by the suction inlet and the engine body, and should not be held up in just one point.

- A. Plan position of pump so that it will be:
  - 1. Free of water flooding, such as in a sump, garden hollow, ditch or at bottom of bank with run off.
  - 2. On a stable base so that:
    - a) The pump is not left suspended by its fittings, causing a leak or failure with loss of water.
    - b) Movement through vibration is restricted
    - c) No strain is put on attaching pipe or other expensive equipment
  - 3. Accessible for maintenance and easily removed for service.
  - 4. Breathing space. Pump should not be crowded which will prevent cooling airflow from fan. Overheating due to lack of cooling voids warranty.
  - 5. Within reach of power point without extension/plugs liable to corrosion, shorting, etc.
  - 6. At a minimum height of suction lift of water from pool surface to pump inlet.
- B. For best pump performance keep suction pipe length as short as possible with minimum number of bends and use 50mm high pressure PVC suction and return pipe. All equipment such as filters, heaters, chlorinators must have a minimum of 50mm connections.
- C. Secure the barrel unions supplied into the attaching pipe work, using approved priming fluid and solvent cement as normal practice, coating both surfaces. **NOTE:** Always wear protective gloves when handling and using glue and priming fluid. Ensure no excess adhesive runs into the union proper affecting the sealing or removal abilities. Allow 24 hours to dry before starting pump. Do not use "green" glue on barrel unions. This can cause damage to the ABS material used to manufacture the unions.
- D. Install isolation valves before the pump section and after equipment, if the pump is below the water level of the pool.
- E. For pump installations 500mm above water level, it generally requires a foot valve at the pool or check valve in the suction line. Suction lines must be installed below water level until just in front of pump location and vertical riser used to reach pump inlet. AstralPool pumps are rated to a maximum head of 25 metres however refer to your pumps data plate for actual achievable pressure.
- F. All pumps will operate quieter and perform more efficiently if a straight length of 450mm pipe is plumbed horizontally into the front of the pump.
- G. Water temperature not to exceed 45C degrees.

#### H. Pumps must be either

- supplied by an isolating transformer, or
- supplied through a residual current device (RCD) with a rated residual operating current not exceeding 30mA.

**Warning:** - It is essential that you use a multiple disconnection device with a space of at least 3 mm between surfaces to disconnect the equipment from the electrical current.

- Use a rigid cable to connect to the mains. If you use a flexible cable to connect to the mains, it must have cable lugs to connect to the terminals of the pump motor.

- The equipment should be connected to an alternating current supply (see data on the pump's plate) with earth

connection, protected by a residual current device (RCD) having a rated residual operating current not exceeding 30 mA.

- Adjust the value of the thermal relay appropriately depending on the pump current.

- Before connecting the motor, check the type of fuse required.

Viron pumps include PCB's and microchips. It is necessary to turn power off completely for 10 seconds before turning pump back on again. Some brands on chlorinators may bleed a small amount of power into the Viron Pump even when the pump off mode is selected. If this occurs, the Viron Pump may not reset correctly and may not start until power is disconnected completely. In some cases, the manufacturer of these chlorinators may be able to remove or change a capacitor which will completely disconnect power to the pump when turned off. If not, a suitable chlorinator may be required to be purchased. Astral Pool chlorinators completely disconnect power to the pump when the pump off mode is selected.

## OPERATION

---

1. Prime pump if hair and lint pot is dry as follows – Close off valve on suction line if present. Remove lint pot lid. Fill lint pot and chamber with water. Replace and secure lint pot lid and seal.
2. Open all valves, allowing water to flow through pump.
3. Switch on power to pump, motor to start.
4. If some flow of water does not establish within on half minute, switch off and prime pump again. If pump does not prime within 3 attempts, check all suction connections for sealing. If these are satisfactory, a check or foot valve is required to hold water for prime.
5. If the water flow through pump is always tedious to obtain at start-up after cleaning the lint basket, then an examination of the system to establish a reason and correct the cause is recommended. Eg. Check valve, air leaks, faulty seal, cracked lint pot lid, etc.
6. The Viron EVO has 3 factory preset speed settings – Low, Medium and High. High should be used when backwashing, manually vacuuming the pool or operating spa jets or some water features such as waterfalls. Medium speed can be used for gentle spa jet action, when suction cleaner is connected to the skimmer or filtration for the pool. Low is the recommended setting for everyday filtration of your pool when a cleaner is not connected.
7. The Viron EVO will automatically start on High for the first 5 minutes to assist in priming and substantially fill the hair and lint pot with water. After 5 minutes the pump will revert to the last speed it was set at before it was turned off.



8. During normal operation, it is recommended that the pump be operated on Low for 12 hours per day. This will achieve the lowest operating costs with the lowest noise level. Should your pool have areas where water is not turning over when pump is on Low, increase the speed setting.

**Notes:** The appliance is not intended for use by person including young children or infirm persons with reduced physical, sensory or mental capabilities, or lack of experience or knowledge, unless they have been given supervision or instruction concerning use of the appliance by a person responsible for their safety.

Please ensure that young children are supervised to ensure that they do not play with the pump.

To avoid a safety hazard, the supply cord if damaged, must only be replaced by AstralPool, or its service agent or a suitably qualified person.

### **Hours of Operation**

On low speed your Viron pump makes very little noise and is unlikely to be intrusive to you or your neighbours. Generally, your pool filter pump should operate for a minimum of 8 hours a day to provide sufficient skimming (thereby reducing the amount of debris that falls to the bottom of the pool) and to allow the chlorinator to provide sufficient chlorine to sanitise your pool.

**Greater energy savings occur when to operating the pump for longer periods at the lowest speed instead of operating for shorter periods at a higher speed.**

## **SELECTION OF APPROPRIATE SPEEDS**

---

General Rules:

- The total volume of water in your pool should be turned over at least once a day.
- If operating for longer periods of time, you may be able to turn the output of your salt chlorinator to a lower level. Check your chlorine level frequently to ensure you do not over or under chlorinate your swimming pool.
- **Low Speed** is factory pre set and is the recommended setting for your daily filtration flow rate – enough to gently turn the water over once per day and circulate the water completely around your pool.
- **Medium Speed** is generally set up as your special purpose flow rate. For example, an infloor cleaning system will require higher pressures and flow rates to operate and medium speed can be set up to operate the infloor cleaning system. Other special purpose flow rates may include but are not limited to: operating spa jets, operating water falls or water features, operating a suction pool cleaner.
- **High Speed** is generally set up to backwash your sand filter. As a rule of thumb, this speed should be set so that the gauge on your filter is approximately 70kPa to 100 kPa in pressure but this will depend on the size of your filter, and the size and length of the backwash pipe line.

In warmer weather, or when the pool is used a lot, your pump should operate for 12 hours a day or more. Check your chlorine levels and visually inspect your water to ensure that (a) you have adequate chlorine and (b) the water in your pool looks clear and inviting. If you have any doubts, take a sample of water to your local pool shop for a water analysis.

Examples of Speed Selection during operation and use of your Viron P280 or P300 eVo Pump:

---

Function	Speed
Vacuuming Pool or Spa	High Speed
Operating Spa Jets	High Speed
Operating Waterfall or Water Feature	Medium Speed or High Speed, depending on effect required
Cleaning up pool with Cloudy Water	Up to 24 hours on High Speed
General Filtration	Low Speed (8 hours in winter, 8 to 12 hours in summer)

---

Some Tips:

The P320 will provide around 15,000 to 18,000 litres per hour on high speed, depending on pipework, valves, filter size and other equipment installed on your pool. On low speed the factory preset flow rate is approximately 7,500 litres per hour. **Low speed will use approximately 10% of the power consumption** that high speed will use. Therefore, operating the pump 8 hours per day will provide a 60,000 litre pool one complete turn over.

The P600 pump will provide around 36,000 litres per hour on high speed, depending on pipe work and the Factory preset low speed at 1125 RPM will provide around 12,000 litres per Hour. This is sufficient to turn a 96,000 litre pool over once per day.

As a guide, low speed should achieve a visible skimming of the surface of the pool through your skimmer box. When connected to an AstralPool compatible salt chlorinator, Viron Connect Touch Screen Control System, we recommend that for one hour a day the filtration period is operated on at least medium speed to achieve full circulation and good surface skimmer of the pool. The balance of the filtration cycle can then be set on low speed.

However, should your pool water develop cloudiness or your pool surface exhibit algae growth you may need to increase the low speed of your pump to ensure adequate circulation of water and chlorine to all parts of your pool.

It is important to check your chlorine levels, pH and other parameters to ensure your water quality is correct before adjusting the speed of your pump. We recommend these checks are carried out by your professional pool shop or service technician.

## OPERATION OF CONTROL PANEL – VIRON P320 EVO & P600 EVO

---

The Viron P320 and P600 eVo pumps incorporate an LCD backlit screen with the following features:

In built time clock:

- Programmable for up to four timer periods each day
- Timer periods can be disused and 1, 2, 3, or 4 periods selected
- Different speed (low, medium, high) for each timer period
- Displays actual RPM of motor and low, medium and high speed can be adjusted to suit your pool
- Time clock and timer periods can be disabled if connected to an external time clock
- Can be programmed by a compatible AstralPool remote control or chlorinator to operate at different speeds during different times of the day

- Enables the priming (start up) speed to be adjustable and the time of the start up speed to be changed from 2 minutes up to 120 minutes

Viron eVo Control Panel




## OPERATION OF CONTROL PANEL – VIRON P320 & P600 EVO (CONT...)




---

Using the in built timer to operate pump with an AstralPool Chlorinator or e-Quilibrium dosing unit


### Factory Default Setting

1. The inbuilt timers are activated and will control the time the pump operates.
2. Connectivity to AstralPool compliant Salt Chlorinators, e-Quilibrium Chemical dosing controllers or Viron Connect remote Controls is turned “off”.
3. Use the  “auto” button to turn the pump on or off. When in on position, the pump will remain off until the next timer period unless pressed again to manually on. If pump is turned to manually on, it will continue to operate indefinitely. If in the “Off” position (visible on the LCD), the pump will remain indefinitely off. For timer operation, ensure the “auto” button is pressed so that the LCD screen displays “auto”.

### Setting the current Time

1. If connected to a compliant AstralPool Salt Chlorinator or e-Quilibrium dosing controller connect data cable between rear of pump and the chlorinator in e-Quilibrium dosing unit.
2. Connect and turn power on to the pump and Chlorinator (or dosing unit).
3. Toggle MENU (twice) until “CLK” appears and press ENTER to set time. Use  up and down  arrows to set the hour, press ENTER again to set minutes and then press ENTER again to set AM or PM.
4. Press  ENTER to accept.
5. The LCD screen will quickly flash 3 times to indicate the new setting has been accepted.

### Setting pump to operate independently of external AstralPool Compliant Chlorinator or Control System

1. Toggle MENU until “CONF” is displayed on the LCD screen.
2. Press and HOLD ENTER for 3 seconds. “TMRS” will appear.
3. Press ENTER.
4. Press UP or Down buttons to turn “TMRS” on.
5. Press ENTER to accept.
6. Press  “auto” to return to main menu.

### Changing Low, Med and High Speed Settings


1. Select the Speed Button to be adjusted, Low, Medium or High. Respective LED will light up.
2. Alter the speed in increments of 25 RPM using the up and down arrows until the desired speed is displayed on the screen. Respective “Speed 1”, “Speed 2” or “Speed 3”, will flash while editing.
3. The new speed will automatically save after 2 seconds. Flashing will stop to signal save.

### Setting filtration timer periods

1. Press MENU to go to PRIM setting.

2. Prime period is defaulted to 5 minutes and high speed. We recommend if your pump is installed at or below water level, you change the PRIM to 2 minutes. Press ENTER and then Up or Down arrows to change the prime speed. Press ENTER to accept. Priming period will now be displayed.
3. Use the Up or Down arrow to change the Priming period. Press ENTER to accept.
4. Press MENU to go to TMR “timer settings” and press ENTER to change.
5. Timer 1 is factory set to start at 8 am. Use up or down arrows to change. Press High, Medium, or Low to select the speed of the pump during Timer 1. On the LCD Screen Low is represented by “speed 1”, medium by “speed 2”, and High by “speed 3”.
6. Press ENTER to move to the stop or end time of Timer 1. Use the up and down arrows to change the end of Timer 1.
7. Timer 2 will now appear on the LCD Screen. Repeat instructions 4. to 6. Above.
8. Timer 3 will now appear but is factory preset to OFF. Moving any timer to midnight will turn that Timer period off. Use the up and down arrows to activate the time and repeat process 4 and 5 above.
9. Timer 4 is also factory preset to “off” but can be activated by using the up and down arrows.
10. Remember to select the speed you wish to operate during each timer period by pressing the High, Medium or Low buttons while still in the Timer Start program.

**Using the in built pump timers with a non compliant chlorinator or dosing unit.**

1. We do not recommend the use of the pump timers when a non compliant chlorinator or chemical doser is supplied water flow by the Viron P320 or P600 eVo pump.
2. In this case, the pump operating hours should be controlled by the chlorinator time clock and the pump plugged into the chlorinator. This is a safety measure provided for by most chlorinator manufacturers.
3. However, it is important to deactivate the inbuilt pump timers.
4. Toggle MENU until “CONF” is displayed on the LCD screen.
5. Press and HOLD ENTER for 3 seconds.
6. Toggle MENU until “TMR” appears.
7. Press UP or Down buttons to turn “TMR” off.
8. Press ENTER to accept.
9. Press  “auto” to return to main menu.
10. When cycling through the MENU button TMR will no longer appear.
11. You will no longer be able to automatically have the speed of the pump changed during different times of the day.
12. However, if you wish for a period where the pump operates at a high speed, for example to circulate the water vigorously for a part of the daily filtration, you can use the PRIMING setting to do so.




**Using the PRIMING program to circulate the water at a higher flow rate for part of the daily filtration cycle.**

1. Toggle MENU to go to PRIM setting.
2. Prime period is defaulted to 5 minutes and high speed. Use the up and down arrows to change the Priming period up to 120 minutes. Use the High, medium, or low buttons to select the speed you wish the pump to operate for during the Priming period. In this case, we recommend the High Speed button be selected.
3. Press “auto” to exit the programming.

## Using Pump with AstralPool compliant external control

AstralPool manufactures Salt Chlorinators, e-Equilibrium chemical dosing units or the Viron Connect Touch Screen Control system which can control both the operating times of the all Viron eVo pumps PLUS the speed the pump operates at during each timer period.

For the P320 & P600 you must enable the communication port and disable the Pump in built timers.

1. Toggle MENU until CONF (configure) appears. Hold ENTER for 3 seconds.
2. Toggle MENU until "TMR" appears.
3. Press UP or Down buttons to turn "TMR" off. Remember, you are now using the external control to set the pump operating hours, so the pump timer must be turned off.
4. Press ENTER to accept.
5. Toggle MENU until "SYS" (system) appears. Press the  up or down  button and turn to "ON". The Viron P320 or P600 eVo will accept the start, end and pump speed instructions from the AstralPool compliant control chlorinator e-Equilibrium dosing controller or Viron Connect Touch Screen Control.
6. Press  "auto" to return to main menu.
7. The time will still be visible on the LCD display however, the timer function in the menu setting will no longer appear. Toggle the MENU button will now only display PRIM (priming program), CLK (clock setting) and CONF (Configuration menu).
8. Refer to your AstralPool compliant Chlorinator, e-Equilibrium Dosing Control or Viron Connect Touch Screen Control manual for details of programming the pump speed and operating hours.

## Fault Codes

### The P320 & P600 Pump only

Fault Code (displayed on screen)	Meaning
HI T	Over Temperature
HI A	Over Current
Lo V*	Under Input Voltage
BSUC	Motor is Stuck

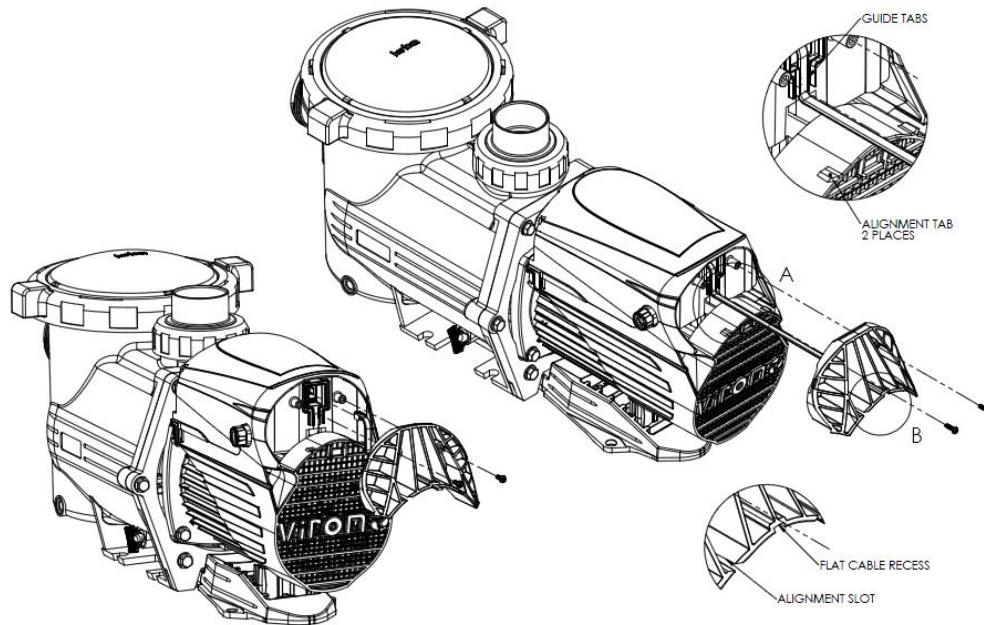
\*Please note: It is normal for the "Lo V" fault code to display briefly on start up.

### Data cable connector:

If a compatible AstralPool VX Salt Chlorinator, Viron Salt Chlorinator or Viron Connect Touch Screen, is connected with the AstralPool communication cable, the speed of the pump and operating hours can be controlled by these devices.

The Viron P320 & P600 eVo must have its inbuilt timer deactivated if the pump operating times and speeds are to be operated by the compatible AstralPool Salt Chlorinator, e-Equilibrium Dosing Controller or Viron Connect remote touch screen.

Remove 2 phillips head screens from rear of pump and the data port cover is removed by hand. Plug RJ12 6 wire flat cable purchased from AstralPool into rear of pump and reassemble. To achieve a proper seal, press the flat cable under the guide tabs (detailed view A). Slide data port cover back on by aligning the tabs with the slots and the flat cable with the recess (detailed view B).

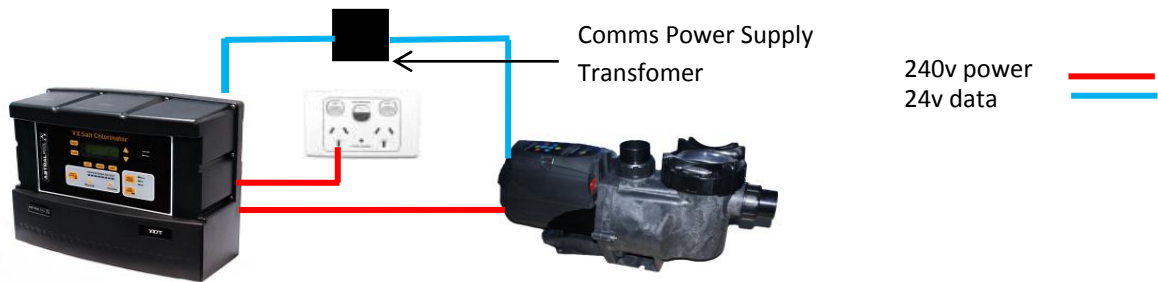


## REMOTE CONTROL OF SPEEDS AND TIMER FUNCTIONS

- Viron eVo pump stand alone
  - 4 built in timer periods in pump
  - 3 programmable speed settings
  - Low, medium or high speed can be selected in each timer period
  - Priming period can be selected from 2 to 120 minutes
  - Prime RPM can be selected from 1275 to 2850 RPM



- All model Viron eVo pumps and compatible VX Timer model chlorinator or Viron Salt Chlorinator
  - Timer periods set up in chlorinator
  - Low, medium or high speed can be selected for each timer period
  - Data cable connecting pump to chlorinator via comms interface module
  - eVoPump to be set up with timer periods deactivated
  - Pump speed can be changed from pump (from chlorinator early 2012)



- All model Viron eVo pumps, VX S (non timer) model chlorinator and Viron Connect Remote Control System
  - Timer periods set up in controller
  - 3 programmable speed settings on pump
  - Select low, medium or high speed during each timer period
  - Data cables connecting pump/chlorinator/controller
  - eVo Pump to be set up with timer periods deactivated
  - Pump speed can be changed from pump or controller





## SPEED SELECTION EXAMPLES FOR VIRON P600 EVO

---

Function	Speed
Vacuumping Pool or Spa	Medium Speed (high speed may collapse vacuum hose)
Operating Spa Jets	Medium or High Speed
Operating Waterfall or Water Feature	Medium Speed or High Speed, depending on effect required
Cleaning up pool with Cloudy Water	Up to 24 hours on High Speed
General Filtration	Low Speed (8 hours in winter, 8 to 12 hours in summer)
Single Pump Infloor Cleaning System	Medium Speed for 3 to 3 hours per day and low speed for 5 or 6 hours per day
Compatible Pressure Cleaner	2 or 3 hours per day on high speed, 5 or 6 hours per day on low speed

---

## USE WITH SUCTION CLEANERS

---

When connecting a suction cleaner to the Viron EVO pump, it essential that full prime is achieved on the pump prior to connecting the cleaner hose. During operation at low speeds, the pump may only operate with partial prime in the hair and lint pot chamber.

To operate a suction cleaner on your pump:

1. Choose the speed button (low, medium or high) on which the pump will operate when the suction cleaner is connected.
2. Allow pump to operate for a minimum of 2 minutes to allow a full prime to be achieved.
3. Connect cleaner plate and hose to skimmer/wall suction only after all air has been purged from the top of the hair and lint pot of your Viron Pump.
4. Adjust speed (with increase or decrease buttons) at which the cleaner will travel to all areas of the pool. Factory set medium speed will usually operate all suction cleaner types in most pools. If using the Low Speed setting, it will usually be necessary to increase the low speed to ensure the suction cleaner operates reliably.
5. When cleaner is no longer required, disconnect and remove hose/cleaner plate from system. Select the lowest filtration speed that keeps your pool clean.
6. If replacing or selecting a new cleaner, AstralPool recommend a Aquatron Robot Cleaner which operates independently from the filter pump and allows the pump to operate at a speed which offers the maximum energy (and cost) savings.

## USE WITH ASTRALPOOL GAS HEATERS

Gas heaters (and electric heat pumps) generally rely on a water pressure switch to activate the heater control circuit. When a variable speed pump operates on low speed the water pressure produced is generally insufficient to activate the pressure switch and control circuit within the heater.

If using a compatible AstralPool Gas Heater you can automatically increase the speed of your Viron eVo pump to ensure the water pressure switch is activated and the heater obtains enough water flow to operate correctly.

A RJ12 (6 wire flat cable) specifically wired and obtained from AstralPool will connect your pump and heater. Refer to Heater Instruction Manual for data cable connection details.



Viron Pump when connected to Viron Heater or other compatible AstralPool Heater via RJ 12 cable	
Viron Heater Status	Viron Pump response
When heater is "off"	Runs at default speed set.
When "on" but not lit	Runs at a minimum of medium speed. The user can use the buttons to select medium or high only (low speed button has no effect). The "start-up period" is cancelled.
When flame first lights	Runs at high speed. The user cannot change the pump's speed.
When flame is lost	Runs at default speed set or medium speed if heater power on.

Viron Pump when connected to Viron Heater or other compatible AstraPool Heater via Viron Connect	
Viron Heater Status	Viron Pump response
When heater is "off"	Runs at the user's manual speed or the chosen default speed when operating due to timers.
When "on" but not lit	Changes to the higher of the speed which is configured by the user in the Installation Setup (the "Heater On" speed); or, the speed of the current timer. The user cannot change to low speed.
When flame first lights	Runs at high speed. The user cannot change the pump's speed.
When flame is lost	Runs at the user's manual speed or the chosen default speed when operating due to timers.

## MAINTENANCE

---

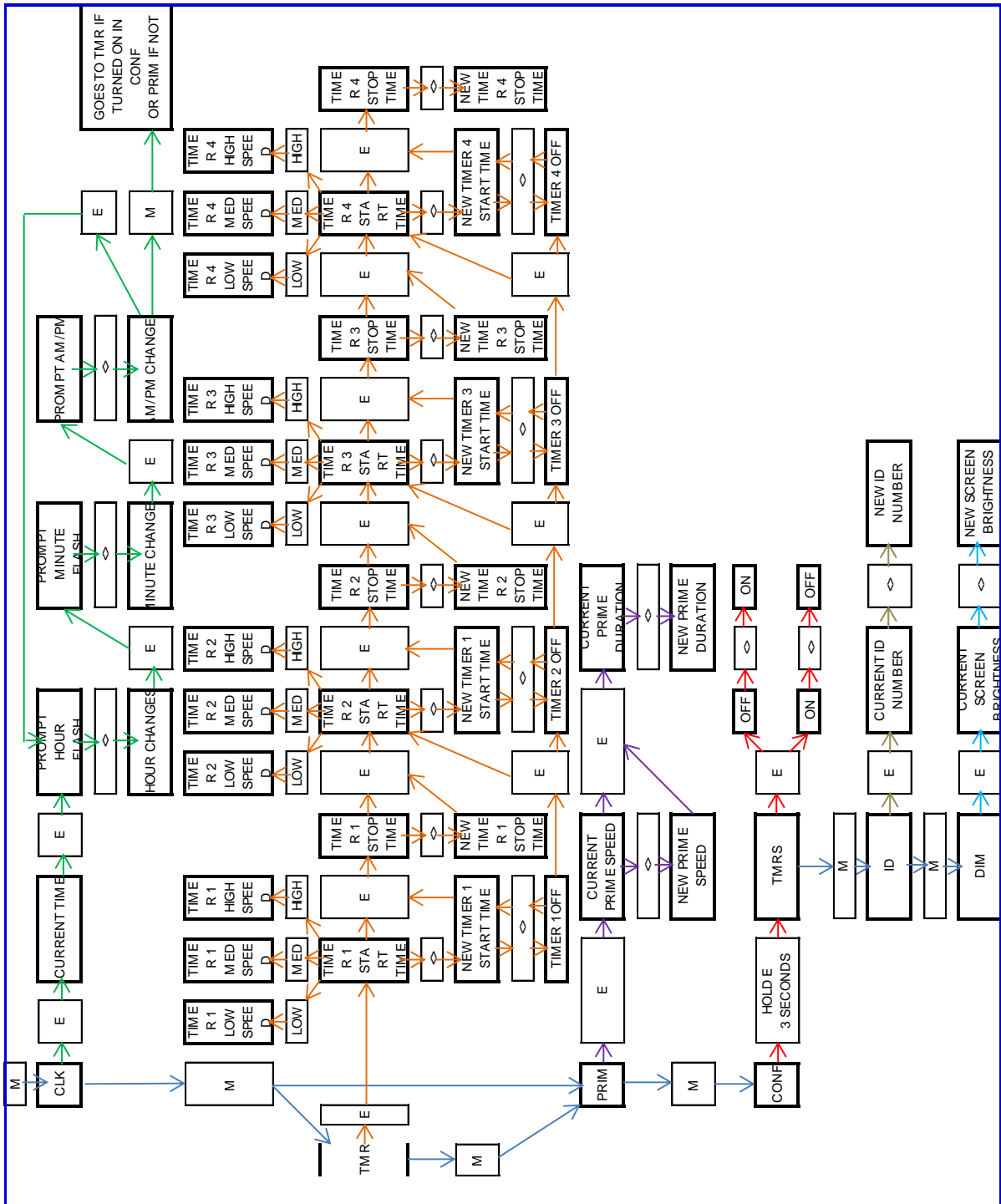
**Maintenance Schedule:** You new product incorporates moving parts and withstands high velocity water with chemicals in it. Some of these parts will wear in the normal course of use and require regular checks and maintenance. Performing these checks and maintenance will identify parts that have worn and require repair/replacement before further serious damage is sustained. A small amount of regular care and attention to your pool equipment will help ensure long life and trouble free performance.

Timing	Maintenance Check	Service action (if required)
Weekly or sooner	Check and empty hair and lint basket	Empty leaves and debris
Three Monthly	Check Lid O ring and inlet/outlet O rings for leaks	Isolate Pump, turn power off, clean and grease O rings or replace if necessary
Three Monthly	Check surroundings for leaves, debris and flooding	Remove debris and rectify if any flooding
Three Monthly	Check for leaks from underneath pump	Call Service technician, repair or replace mechanical seal and motor bearings if necessary

**Important notes:** Regular maintenance is important to ensure long life and trouble free performance of your pool equipment. If unable to perform the maintenance yourself, contact your local Astral Pool office who will arrange a trained service technician to perform the maintenance for you.

**To avoid a safety hazard, the supply cord if damaged, must only be replaced by AstralPool, or its service agent or a suitably qualified person.**

# VIRON EVO CONTROL FLOW DIAGRAM



## GUARANTEE CERTIFICATE

### 1. GENERAL TERMS

- 1.1. In accordance with this provisions, the seller guarantees that the Astral Product corresponding to this guarantee ( "The Product") doesn't have any default in conformity at this time of delivery.
- 1.2. The guarantee term for the product is two (2) years and will be calculate from the date of delivery to the purchaser .
- 1.3. In the event of any default in conformity of the product and the purchaser notifies the seller of such default during the guarantee period, the seller is obliged to repair o replace the Product at its own cost in the place that he consider convenient, unless it is impossible or disproportionate.
- 1.4. When it is not possible to repair or replace , the purchaser may request a proportional reduction in the price, or, if the default in conformity is sufficient significant , the termination of the contract.
- 1.5. The parts replaced or repaired under this guarantee will not extend the guarantee term of the Product, although will have their own guarantee.
- 1.6. In order for this guarantee to come into effect, the purchaser must prove the date of acquisition and delivery of the Product.
- 1.7. If after six months from the delivery of the Product to the purchaser , a default of the conformity of the product is notified, the purchaser must prove the origin and existence of said defect.
- 1.8. This Guarantee Certificate does not limit or prejudge the rights corresponding to the consumers by virtue of national compulsory standards.

### 2. INDIVIDUAL TERMS

- 2.1. This Guarantee covers the following AstralPool products and product ranges: "Filtration Pumps".
- 2.2. This Guarantee Certificate will be applicable exclusively in countries of the European Union .
- 2.3. In order for this guarantee to be effective the purchaser must strictly follow the manufacturer's instructions included in the documentation accompanying the Product, if said documentation is applicable depending on the range and model of the Product
- 2.4. When a schedule is given to replace, maintain or clean certain parts or components of the Product, the guarantee will only be valid if this schedule has been followed correctly.

### 3. LIMITATIONS

- 3.1. This guarantee will apply exclusively to sales made to consumers. A "consumer", is understood to be the person who acquires the Product for purposes not connected with his professional activity.
- 3.2. No guarantee is given for the normal wear through using the product. With regard to parts, components and/or expendable equipment such as mechanical seals, bearings and water tightness, the documentation accompanying the product will be applicable, as the case may be. .
- 3.3. The guarantee does not cover accessory elements of the product " Filtration pump" not explicitly included on it, such as panel board, converter, protection devices, etc..
- 3.4. The guarantee covers Product's failures originated only and exclusively by materials defect and/or performance works. The guarantee doesn't cover cases such us the Product : (i) has been object of an incorrect handling; (ii) has been installed, repaired, maintained or manipulated for an non-authorized person or (iii) has been repaired or maintained with non original spares. It's out of the present guarantee the slight damages originated by accidental tears or inadequate as:

- Pump working without water

- Incorrect dosification of chemical products on the swimming pool
- Water damage originate in external elements to the pumping conditions.
- Inadequate ventilation
- Use in different applications of swimming pool water filtration.

3.5. The guarantee does not cover cases of incorrect installation or start-up unless said installation or start-up is included in the sales contract of the Product and has performed by the seller or under his responsibility. This cases are covered by the installer or the seller who installed the product.



Viron P320 eVo

Viron P600 eVo

Bombas para piscina y spa



## INSTRUCCIONES DE INSTALACIÓN Y USO



Viron P320 eVo



Viron P600 eVo

#### Constancia de Conformidad

- Declara bajo su responsabilidad que todas las bombas: Bombas para piscinas Viron eVo, monofásicas, fabricadas a partir del 01/01/12, independientemente de su número de serie, cumplen con
  - 98/37/EC, prescripciones para de la Directiva de Seguridad de las Máquinas
  - 2004/108/EC, Directiva de compatibilidad Electromagnética
  - 2006/95/EC, Directiva de Baja Tensión
  - 2000/14/EC, Directiva de emisión de Ruidos
  - EN 60034/1, Máquinas Rotatorias
  - EN 610000/4/2, Inmunidad Electromagnética
  - EN 60446/1, Aparatos Electrodomésticos
  - EN 60335-2-41/A1:2004

#### **ESPECIFICACIONES DE LA BOMBA ASTRALPOOL VIRON eVo – DESCRIPCIÓN DEL PRODUCTO Y LOS ACCESORIOS**

El cuerpo de la bomba está fabricado con termoplásticos de la última generación. Las bombas son autocebantes, de múltiples velocidades, con una salida de hasta 2 HP y están provistas de motores monofásicos. En el cuerpo de la bomba se incorpora un prefiltro para evitar la entrada de cualquier cuerpo extraño que pudiera causar daños en los componentes hidráulicos de la bomba.

Los motores suministrados con la unidad motobomba poseen protección IP-X5 y están adaptados para soportar atmósferas calientes y elevados niveles de humedad.



**Peter Wallace**

Director gerente, ASTRALPOOL AUSTRALIA





SI ESTE PRODUCTO NO SE USA, FUNCIONA O SE INSTALA DE ACUERDO A ESTAS INSTRUCCIONES Y A LAS NORMATIVAS AUSTRALIANAS RELEVANTES, PUEDEN PRODUCIRSE LESIONES GRAVES O LA MUERTE.

**WARNING**



ESTE APARATO NO ESTÁ DESTINADO A SER UTILIZADO POR NIÑOS PEQUEÑOS NI PERSONAS ENFERMAS. POR FAVOR, ASEGÚRESE DE QUE LOS NIÑOS PEQUEÑOS ESTÉN SUPERVISADOS PARA QUE NO PUEDAN JUGAR CON EL APARATO.

**WARNING**



LA BOMBA PRODUCE ALTAS PRESIONES – APÁRTESE DE LA BOMBA Y DE TODOS LOS EQUIPOS DE FILTRACIÓN DURANTE LA PUESTA EN MARCHA.

**WARNING**



LA BOMBA SÓLO LA DEBE INSTALAR UN PROFESIONAL CUALIFICADO EN LA INDUSTRIA DE LAS PISCINAS. LOS INSTALADORES, OPERARIOS Y PROPIETARIOS DEBEN LEER ESTAS INSTRUCCIONES ANTES DEL USO.

**WARNING**



LA BOMBA SE REINICIA AUTOMÁTICAMENTE DESPUÉS DEL LÍMITE SUPERIOR DE FUNCIONAMIENTO, DESCONECTE LA ALIMENTACIÓN DE LA BOMBA ANTES DEL MANTENIMIENTO O LA REPARACIÓN.

**WARNING**



UNA CONFIGURACIÓN INCORRECTA DE LAS VELOCIDADES DE ESTA BOMBA PUEDE PROVOCAR LA FILTRACIÓN ADVERSA O EL FUNCIONAMIENTO DE LA PISCINA O EL SPA. ASEGÚRESE DE QUE LA BOMBA SE INSTALE, SE CONFIGURE Y SE MANTENGA POR PARTE DE UN DISTRIBUIDOR AUTORIZADO DE ASTRALPOOL.

## GENERAL

---

La bomba para piscina Viron eVo es un motor CC único con velocidad variable y magnetización permanente combinado con una bomba de extremo húmedo con consumo eficiente de energía. Cuando está correctamente instalada y conectada, Viron eVo reducirá significativamente los gastos de funcionamiento, los niveles de ruido, y las emisiones de gases de efecto invernadero.

El rango de la bomba eVo para piscinas dispone de una variedad de modelos, con las velocidades ajustadas en fábrica que ofrecen los caudales aproximados siguientes:

Modelo	Alta	Media	Baja
Viron P320 eVo	320 lpm	206 lpm	128 lpm
Viron P600 eVo	600 lpm	426 lpm	200 lpm

(Los caudales están basados en una velocidad máxima a una carga dinámica total de 8 m).

Cada velocidad se puede cambiar para adaptarse al tamaño, filtros, conexiones y aplicación de su piscina. Las bombas de la serie Viron eVo deben ser instaladas por un profesional formado por AstralPool para asegurar que se haya seleccionado la aplicación correcta, que se haya instalado correctamente, que se haya configurado para adaptarse a su piscina y que se le haya explicado completamente su modo de funcionamiento.

## CARACTERÍSTICAS

---

- Motor con capacidad para funcionamiento continuo
- Impulsor de cabeza alta de precisión con refuerzo moldeado para lograr un rendimiento superior
- Cuerpo moldeado de una sola pieza para una mayor fuerza y una vida útil más larga
- El difusor de cebado rápido corrige rápidamente la pérdida del caudal de agua
- Desmontaje rápido y sencillo para el mantenimiento
- Cesto de gran capacidad con rampa fácilmente extraíble en la tapa
- Posibilidad de ajustar las velocidades predefinidas de fábrica para un caudal de agua óptimo y un ahorro máximo de la energía para su piscina y su equipamiento
- Circuito de agua con aislamiento doble para una protección eléctrica máxima

Fig. 1

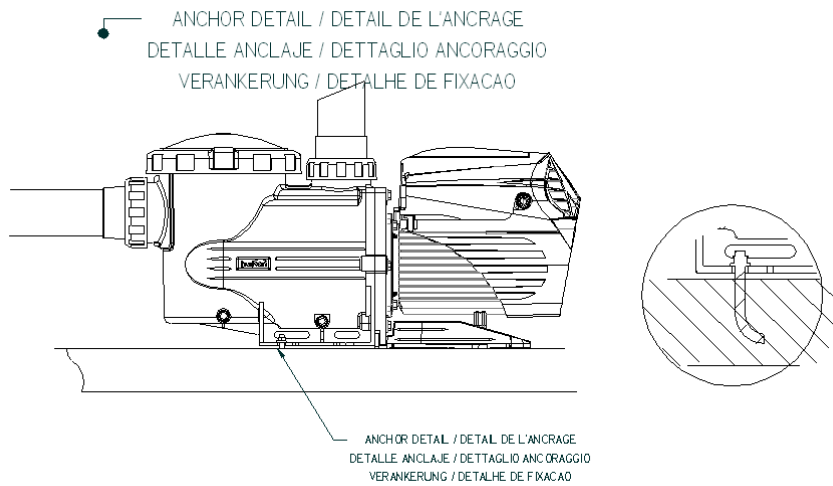


Fig. 2

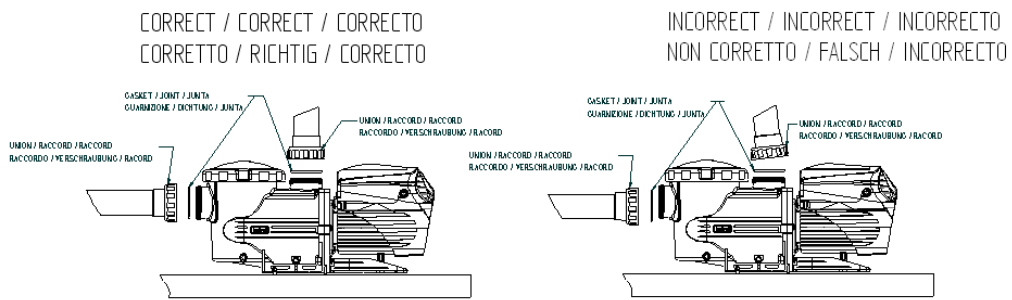


Fig. 3

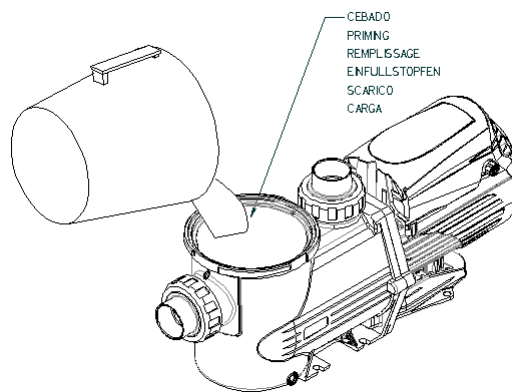


Fig. 4

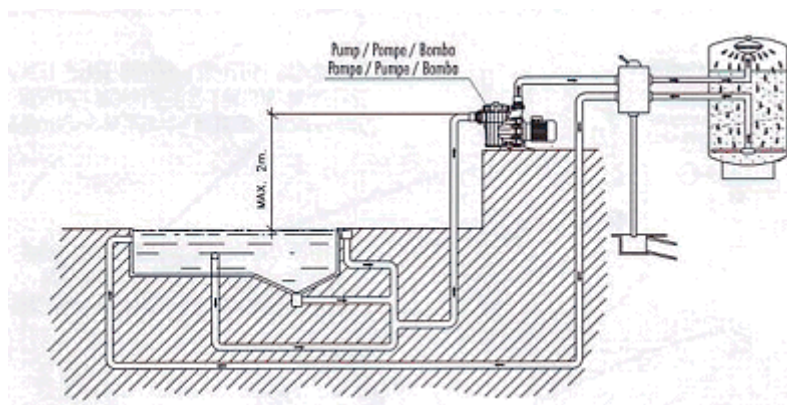
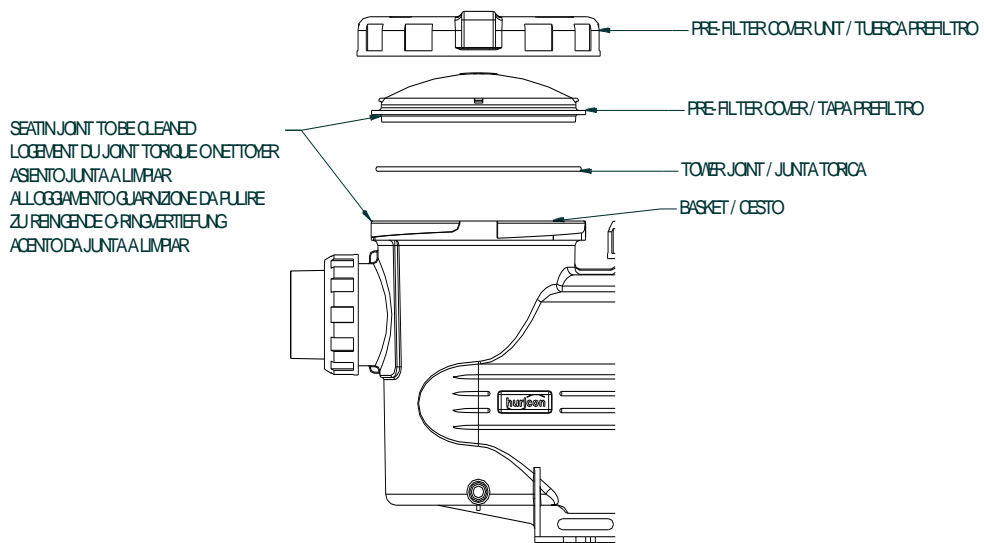
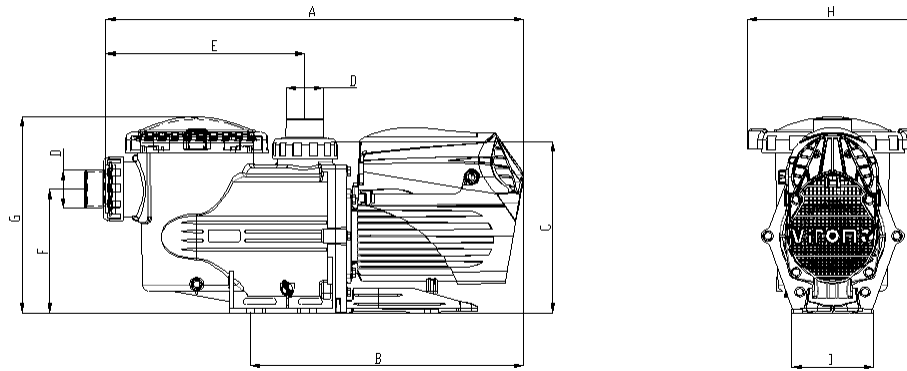


Fig. 5



TECHNICAL CHARACTERISTICS / RENSEIGNEMENTS TECHNIQUES  
 CARACTERISTICAS TECNICAS / DATI TECNICI  
 TECHNISCHE ANGABEN / CARACTERISTICAS TECNICAS



COD.	Cv	A	B	C	E	F	G	H	I	D
56550	1 II	622	480	300	346	215	345	300	120	50
56551	1 II	720	480	300	346	215	345	300	120	50
56552	2 II	720	480	300	346	215	345	300	120	50

## INSTALACIÓN

Este aparato debe instalarse por un técnico profesional de mantenimiento de piscinas experimentado. Cuando instale el equipo asegúrese de que todos los componentes se instalen en la zona correcta de acuerdo con las reglas de cableado. En concreto, consulte el AS / NZS 3000 (Australia) y el EN 60364 (EU).

### A. Planifique la posición de la bomba de modo que se encuentre:

1. Libre de inundaciones, como en un sumidero, una hondonada del jardín, una fosa, o en la parte inferior de un tanque con derrame.
2. En una base estable de modo que:
  - a) La bomba no quede suspendida por sus conexiones, causando una fuga o un fallo con pérdida de agua.
  - b) El movimiento por vibración esté limitado.
  - c) No se produzca presión sobre la tubería conectada ni sobre otro equipamiento costoso.
3. Accesible para el mantenimiento y fácilmente extraíble para la reparación.
4. Espacio de aireación. No se deben acumular objetos sobre la bomba, lo que imposibilitaría el flujo de aire desde el ventilador. El sobrecalentamiento debido a la falta de refrigeración anula la garantía.
5. Dentro del alcance de la toma de corriente, sin alargadores ni enchufes sujetos a la corrosión, cortocircuitos, etc.
6. A una mínima altura de succión de agua desde la superficie de la piscina hacia la entrada de la bomba.

### B. Para un mejor rendimiento de la bomba, mantenga la tubería de succión lo más corta posible con un número mínimo de curvas y utilice una tubería de succión y de retorno de 50 mm de PVC de alta presión.

Todo el equipamiento, como filtros, calentadores y aparatos de cloración, deben tener conexiones de 50 mm como mínimo.

- C. Fije los raccords del tambor suministrados en la tubería conectada, utilizando un fluido de cebado aprobado y cemento solvente como práctica habitual, cubriendo ambas superficies. **NOTA:** Utilice siempre guantes protectores cuando manipule y utilice pegamento y fluido de cebado. Asegúrese de que no se derrame un exceso de adhesivo en el raccord, para facilitar el sellado o la capacidad de extracción. Déjelo secar 24 horas antes de iniciar la bomba. No utilice pegamento “verde” en los raccords del tambor. Esto puede causar daños en el material ABS empleado para fabricar los raccords.
- D. Instale válvulas de aislamiento antes de la sección de la bomba y después del equipamiento, si la bomba está por debajo del nivel del agua de la piscina.
- E. Para instalaciones de la bomba 500 mm por encima del nivel del agua, normalmente se necesita una válvula de pie en la piscina o una válvula de retención en la línea de succión. Las líneas de succión deben estar instaladas por debajo del nivel del agua justo delante de la ubicación de la bomba y utilizar una tubería vertical para llegar hasta la entrada de la bomba. Las bombas AstralPool están diseñadas para un máximo de 25 metros, sin embargo consulte la placa de identificación de sus bombas para conocer la presión real que se puede alcanzar.
- F. Todas las bombas funcionarán de forma más silenciosa y tendrán un rendimiento más eficiente si se dispone en horizontal una tubería recta de 450 mm de longitud en la parte delantera de la bomba.
- G. La temperatura del agua no debe superar los 45 grados.
- H. Las bombas deben
  - estar alimentadas por un transformador de aislamiento, o
  - estar alimentadas mediante un dispositivo de corriente residual (RCD) con una corriente residual de funcionamiento nominal que no exceda los 30 mA.

**Advertencia:** Las bombas Viron incluyen PCBs y microchips. Es necesario desconectar completamente la alimentación durante 10 segundos antes de volver a encender la bomba. Algunas marcas de máquinas de cloración pueden desviar una pequeña cantidad de energía hacia la bomba Viron, incluso cuando esté seleccionado el modo de desconexión de la bomba. Si esto ocurre, es posible que la bomba Viron no se reinicie correctamente y no se inicie hasta que la alimentación se desconecte por completo. En algunos casos, el fabricante de estas máquinas de cloración puede retirar o cambiar un condensador que desconecte completamente la energía hacia la bomba cuando ésta se apague. En caso contrario, puede ser necesario adquirir una máquina de cloración más adecuada. Las máquinas de cloración AstralPool desconectan totalmente la energía hacia la bomba cuando se selecciona el modo de desconexión de la misma.

## OPERACION

---

1. Ceba la bomba como explicamos a continuación si el recipiente de pelos y pelusas está seco – Cierre la válvula de la línea de succión si existe. Retire la tapa del recipiente de pelusas. Llene el recipiente y la cámara con agua. Vuelva a colocar y asegure la tapa del recipiente y el sello.
2. Abra todas las válvulas, permitiendo que el agua fluya a través de la bomba.
3. Encienda la bomba para iniciar el motor.
4. Si en medio minuto no se establece el caudal de agua, apáguela y vuelva a cebar la bomba. Si la bomba no se ceba tras 3 intentos, revise el cebado de todas las conexiones de succión. Si están correctas, se necesitará una válvula de retención o de pie para mantener el agua para el cebado.
5. Si el flujo de agua a través de la bomba resulta siempre difícil de lograr al iniciarse tras limpiar el cesto de pelusas, se recomienda examinar el sistema para establecer la causa y corregirla. Ej. Comprobar la válvula, fugas de aire, sellos defectuosos, tapa del recipiente de pelusas rota, etc.
6. Viron eVo tiene 3 ajustes de velocidad predefinidos de fábrica – Baja, Media y Alta. La Alta deberá utilizarse durante el retrolavado, la aspiración manual de la piscina, el funcionamiento de los chorros del spa o algunas funciones con agua, como cascadas. La velocidad Media puede utilizarse para la acción suave de los chorros de spa, cuando el aspirador esté conectado al skimmer o durante la filtración de la piscina. La Baja es el ajuste recomendado para la filtración diaria de su piscina cuando no haya conectado un limpiador.
7. Viron eVo se iniciará automáticamente en la Alta durante los primeros 5 minutos, para ayudar al cebado y para llenar sustancialmente el recipiente de pelos y pelusas con agua. Tras 5 minutos, la bomba regresará a la última velocidad establecida antes de haberse apagado.
8. Durante el funcionamiento normal, se recomienda que la bomba se utilice en Baja durante 12 horas al día. Así se obtendrán los gastos más bajos de funcionamiento con el menor nivel de ruido. En caso de que su piscina tenga zonas en las que el agua no se remueva con la bomba en velocidad Baja, aumente el ajuste de velocidad.

**Notas:** El aparato no está diseñado para ser utilizado por personas, incluidos niños o personas enfermas con las capacidades físicas, sensoriales o mentales reducidas, ni con falta de experiencia o conocimientos, a no ser que cuenten con supervisión o instrucciones a cerca del uso del aparato por parte de una persona responsable de su seguridad.

Por favor, asegúrese de que los niños pequeños estén supervisados para que no jueguen con la bomba.

Para evitar un riesgo contra la seguridad, si el cable de alimentación está dañado, solo debe ser sustituido por AstralPool, su agente de servicio o una persona cualificada.

### Horas de funcionamiento

A baja velocidad, su bomba Viron produce muy poco ruido y es poco probable que le moleste a usted o a sus vecinos. Normalmente, su bomba de filtrado de piscina debería funcionar un mínimo de 8 horas diarias para ofrecer una derivación suficiente del agua superficial (reduciendo así la cantidad de residuos que puedan caer al fondo de la piscina) y para permitir a la máquina de cloración dosificar el cloro suficiente para higienizar su piscina.

**Se obtiene un mayor ahorro de energía cuando la bomba funciona durante períodos largos a baja velocidad en lugar de períodos más cortos a velocidad mayor.**

## SELECCIÓN DE LAS VELOCIDADES ADECUADAS

---

Reglas generales:

- El volumen total de agua de su piscina debería pasar por la bomba al menos una vez al día.
- Si funciona durante períodos más largos, puede bajar la salida de su cloración salina a un nivel inferior. Compruebe su nivel de cloro a menudo para asegurarse de que no clora su piscina demasiado ni demasiado poco.
- **Velocidad Baja** está definida de fábrica y es el ajuste recomendado para la tasa del caudal de su filtración diaria – suficiente para hacer rotar el agua a diario y hacerla circular suavemente por su piscina.
- **Velocidad Media** definida generalmente según su tasa de caudal para fines especiales. Por ejemplo, un sistema limpiafondos necesitará presiones y tasas de caudal superiores para funcionar y puede establecerse la velocidad para este sistema limpiafondos. Entre otras tasas de caudal para fines especiales se puede incluir, pero no limitarse a: chorros de spa en funcionamiento, cascadas u otras funciones con agua en funcionamiento, aspirador de piscina en funcionamiento.
- **Velocidad Alta** establecida generalmente para el retrolavado de su filtro de arena. Como norma general, esta velocidad puede establecerse de modo que la presión manométrica de su filtro sea de aproximadamente de 70 kPa a 100 kPa, pero esto depende del tamaño de su filtro y del tamaño y longitud de la tubería de retrolavado.

Cuando el clima es más cálido, o cuando la piscina tiene mucho uso, su bomba debería funcionar durante 12 horas al día o más. Compruebe sus niveles de cloro e inspeccione visualmente el agua para asegurarse de que (a) cuenta con el cloro adecuado y (b) el agua de su piscina se ve clara y apetecible. Si tiene alguna duda, lleve una muestra de agua a su tienda más cercana de piscinas para un análisis.

Ejemplos de la selección de velocidad durante el funcionamiento y uso normal de su bomba Viron P280 o P300 eVo:

---

Función	Velocidad
Aspirador de piscina o Spa	Velocidad Alta
Chorros de Spa en funcionamiento	Velocidad Alta
Cascada u otra función con agua en funcionamiento	Velocidad Media o Alta, dependiendo del efecto requerido
Limpieza de la piscina con agua turbia	Hasta 24 horas a velocidad Alta
Filtración general	Velocidad Baja (8 horas en invierno, de 8 a 12 horas en verano)

---

Algunos consejos:

El P320 suministrará unos 15.000 a 18.000 litros por hora a velocidad alta, dependiendo del tamaño de las tuberías, válvulas, filtros y otros equipos instalados en su piscina. A velocidad baja, la tasa de caudal de agua es aproximadamente de 7.500 litros por hora. **La velocidad Baja consume aproximadamente un 10% de la energía** que consume la velocidad Alta. Por lo tanto, utilizar la bomba 8 horas al día permitirá una rotación completa para una piscina de unos 60.000 litros.

La bomba P600 suministrará unos 36.000 litros por hora a velocidad Alta, dependiendo de las tuberías, y la velocidad Baja definida de fábrica a 1125 RPM suministrará unos 12.000 litros por minuto. Esto es suficiente para rotar el agua de una piscina de 96.000 litros una vez al día.



A modo de guía, la velocidad baja debería lograr una derivación visible de la superficie de la piscina a través de su caja del skimmer. Cuando se conecte a un dosificador de cloración salina compatible con AstralPool un sistema de control con pantalla táctil Viron Connect, recomendamos que durante una hora al día el período de filtración funcione al menos a velocidad media para lograr una circulación completa y una buena derivación de la superficie de la piscina. El balance del ciclo de filtración puede entonces establecerse en velocidad baja.

No obstante, en caso de que el agua de su piscina se vuelva turbia o la superficie presente proliferación de algas, puede ser necesario aumentar la velocidad de su bomba para asegurar la circulación adecuada del agua y el cloro por todas las partes de la piscina.

Es importante comprobar los niveles de cloro, el pH y otros parámetros para asegurarse de que la calidad de su agua sea la correcta antes de ajustar la velocidad de su bomba. Recomendamos que estas comprobaciones las lleve a cabo en su tienda de piscinas o el servicio técnico.

## **USO DEL PANEL DE CONTROL – VIRON P320 EVO Y P600 EVO**

---

Las bombas Viron P320 y P600 eVo incorporan una pantalla LCD retroiluminada con las siguientes funciones:

Reloj integrado:

- Programable para hasta cuatro períodos diarios del temporizador
- Los períodos del temporizador pueden no utilizarse, o seleccionar 1, 2, 3 o 4 períodos
- Velocidades distintas (baja, media, alta) para cada período
- Muestra las RPM reales del motor, se puede ajustar la velocidad baja, media o alta para adaptarla a su piscina
- El reloj y los períodos del temporizador pueden desactivarse si se conecta un reloj externo
- Puede programarse mediante un mando a distancia compatible AstralPool o una máquina de cloración para que funcione a velocidades distintas durante las diferentes horas del día
- Permite ajustar la velocidad del cebado (al inicio) y cambiar el tiempo de la velocidad de inicio desde 2 minutos hasta 120 minutos

Panel de control Viron eVo




## USO DEL PANEL DE CONTROL – VIRON P320 Y P600 EVO (CONTINUACIÓN)




---

Utilización del temporizador integrado para hacer funcionar la bomba con una máquina de cloración AstralPool o una unidad de dosificación e-Quilibrium


### Ajuste por Defecto

1. Los temporizadores integrados están activados y controlarán el tiempo de funcionamiento de la bomba.
2. La conectividad con máquinas de cloración salina compatibles AstralPool, controladores de dosificación e-Quilibrium o mandos a distancia Viron Connect está desactivada.
3. Utilice el botón  “auto” para encender o apagar la bomba. Cuando esté en la posición “on”, la bomba permanecerá apagada hasta el siguiente período del temporizador, a no ser que se vuelva a pulsar otra vez para encenderse manualmente. Si la bomba se cambia al encendido manual, continuará funcionando de forma indefinida. Si está en la posición “Off” (visible en el LCD), la bomba estará apagada de forma indefinida. Para el funcionamiento del temporizador, asegúrese de que el botón “auto” esté pulsado de modo que en la pantalla LCD aparezca “auto”.

### Ajustar la hora actual

1. Si se conecta a una máquina de cloración salina compatible AstralPool o a un controlador de dosificación e-Quilibrium conecte un cable de datos entre la parte posterior de la bomba y la unidad de cloración o de dosificación e-Quilibrium.
2. Conecte y active la alimentación en la bomba y la máquina de cloración (o unidad de dosificación).
3. Cambie el MENU (dos veces) hasta que aparezca “CLK” en la pantalla y pulse ENTER para establecer la hora. Utilice las flechas  arriba y abajo  para establecer la hora, pulse de nuevo ENTER para establecer los minutos y después vuelva a pulsar ENTER para ajustar la hora en AM o PM.
4. Pulse  ENTER para confirmar.
5. La pantalla LCD parpadeará 3 veces rápidas para indicar que el nuevo ajuste se ha aceptado.

### Configurar la bomba para funcionar independientemente de la máquina de cloración compatible AstralPool o del sistema de control

1. Cambie el MENU hasta que en la pantalla LCD aparezca “CONF”.
2. Pulse y MANTENGA ENTER durante 3 segundos. Aparecerá “TMRS”.
3. Pulse ENTER.
4. Pulse los botones arriba o abajo para volver a encender el “TRM”.
5. Pulse ENTER para confirmar.
6. Pulse  “auto” para volver al menú principal.

### Cambiar los ajustes de velocidad Baja, Media y Alta


1. Seleccione el botón de velocidad a ajustar, baja, media o alta. La luz correspondiente se encenderá.
2. Modifique la velocidad en incrementos de 25 RPM utilizando las flechas arriba y abajo, hasta que aparezca en la pantalla la velocidad deseada. La correspondiente “Speed 1”, “Speed 2” o “Speed 3” parpadeará durante la edición.

3. La nueva velocidad se guardará automáticamente tras 2 segundos. El parpadeo se detendrá para indicar el guardado.

### **Establecer los períodos del temporizador de filtración**

1. Pulse MENU para entrar al ajuste PRIM.
2. El período de cebado por defecto es de 5 minutos y a velocidad alta. Le recomendamos que si su bomba se instala al nivel del agua o por debajo de éste, cambie el PRIM a 2 minutos. Pulse ENTER y después las flechas Arriba y Abajo para cambiar la velocidad del cebado. Pulse ENTER para confirmar. Aparecerá el período de cebado.
3. Utilice las flechas Arriba y Abajo para cambiar el período de cebado. Pulse ENTER para confirmar.
4. Pulse MENU para entrar a TMR “ajustes del temporizador” y pulse ENTER para cambiar.
5. El Temporizador 1 está definido para iniciarse a las 8 AM por defecto. Utilice las flechas arriba y abajo para cambiarlo. Pulse High, Medium o Low para seleccionar la velocidad de la bomba durante el Temporizador 1. En la pantalla LCD, la velocidad baja se representa como “speed 1”, la media como “speed 2” y la alta como “speed 3”.
6. Pulse ENTER para moverse a la hora de finalización del Temporizador 1. Utilice las flechas arriba y abajo para cambiar la hora de finalización del Temporizador 1.
7. Ahora aparecerá en la pantalla el Temporizador 2. Repita las instrucciones 4. a 6. Anteriores.
8. Ahora aparecerá en la pantalla el Temporizador 3, pero por defecto está desactivado. Moviendo cualquier temporizador hasta la medianoche, se desactivará ese período de temporizador. Utilice las flechas arriba y abajo para activar el temporizador y repita los procedimientos 4 y 5 anteriores.
9. El Temporizador 4 también está desactivado por defecto, pero puede activarse utilizando las flechas arriba y abajo.
10. Recuerde seleccionar la velocidad a la que desea que funcione durante cada período del temporizador, pulsando los botones High, Medium o Low mientras continúa en la programación del inicio del Temporizador.

### **Utilizar los temporizadores incorporados de la bomba con una máquina de cloración o unidad de dosificación no compatible.**

1. No recomendamos el uso de los temporizadores de la bomba si la bomba Viron P320 o P600 eVo suministra el caudal de agua a una máquina de cloración o dosificador químico no compatible.
2. En este caso, las horas de funcionamiento de la bomba deberán controlarse con el reloj de la máquina de cloración y la bomba estar conectada a la máquina de cloración. Esta es una medida de seguridad indicada por la mayoría de los fabricantes de máquinas de cloración.
3. En cualquier caso, es importante desactivar los temporizadores integrados de la bomba.
4. Cambie el MENU hasta que en la pantalla LCD aparezca “CONF”.
5. Pulse y MANTENGA ENTER durante 3 segundos.
6. Cambie el MENU hasta que aparezca “TMR”.
7. Pulse los botones arriba o abajo para volver a desactivar el “TRM”.
8. Pulse ENTER para confirmar.
9. Pulse  “auto” para volver al menú principal.
10. Cuando se desplace por el botón MENU, TMR ya no aparecerá.

11. Ya no tendrá la posibilidad de tener automáticamente la velocidad de la bomba cambiada durante las distintas horas del día.
12. Sin embargo, si desea que la bomba funcione a velocidad alta durante un período de tiempo, por ejemplo para hacer circular vigorosamente el agua durante parte de la filtración diaria, puede utilizar el ajuste de PRIMING para hacerlo.




**Utilizar el programa de PRIMING para hacer circular el agua a una mayor tasa de caudal durante parte del ciclo de filtración diaria.**

1. Cambie el MENU para entrar al ajuste PRIM.
2. El período de cebado por defecto es de 5 minutos y a velocidad alta. Utilice las flechas arriba y abajo para cambiar el período de Cebado hasta 120 minutos. Utilice los botones High, Medium o Low para seleccionar la velocidad a la que desee que la bomba funcione durante el período de cebado. En este caso, le recomendamos seleccionar el botón de velocidad High.
3. Pulse “auto” para salir de la programación.

**Utilizar la bomba con un control externo compatible AstralPool**

AstralPool fabrica máquinas de cloración salina, unidades de dosificación e-Quilibrium y el sistema de control con pantalla táctil Viron Connect, que puede controlar tanto las horas de funcionamiento de todas las bombas Viron eVo ADEMÁS de la velocidad a la que funciona la bomba durante cada período del temporizador. de funcionamiento de todas las bombas Viron eVo ADEM la velocidad a la que desee que la bomba funcione durante el per de la fi.

Para la P320 y la P600 debe habilitar el puerto de comunicación y deshabilitar los temporizadores integrados de la bomba.

1. Cambie el MENU hasta que aparezca “CONF” (configurar). Mantenga pulsado ENTER durante 3 segundos.
2. Cambie el MENU hasta que aparezca “TMR”.
3. Pulse los botones arriba o abajo para volver a desactivar el “TRM”. Recuerde, ahora está utilizando el control externo para establecer las horas de funcionamiento de la bomba, así que los temporizadores de la bomba deben estar desactivados.
4. Pulse ENTER para confirmar.
5. Cambie el MENU hasta que aparezca “SYS” (sistema). Pulse el botón  arriba o abajo  y cámbielo a “ON”. La Viron P320 o la P600 eVo admitirán las instrucciones de inicio, fin y velocidad de la bomba desde la máquina de cloración compatible AstralPool o controlador de dosificación e-Quilibrium o el control con pantalla táctil Viron Connect.
6. Pulse  “auto” para volver al menú principal.
7. El temporizador se mantendrá visible en la pantalla LCD, mientras que la función de temporizador en el ajuste de menú ya no aparecerá. Pulse el botón MENU hasta que sólo aparezca “PRIM” (programación de cebado), “CLK” (ajuste del reloj) y “CONF” (menú de configuración).
8. Consulte el manual de su máquina de cloración compatible AstralPool, de su controlador de dosificación e-Quilibrium o del control con pantalla táctil Viron Connect para conocer cómo programar la velocidad de la bomba y las horas de funcionamiento.

## Códigos de fallo

Sólo para bombas P320 y P600

Código de fallo (mostrado en pantalla)	Significado
HI T	Temperatura elevada
HI A	Sobrecorriente
Lo V*	Baja tensión de entrada
BSUC	Motor atascado

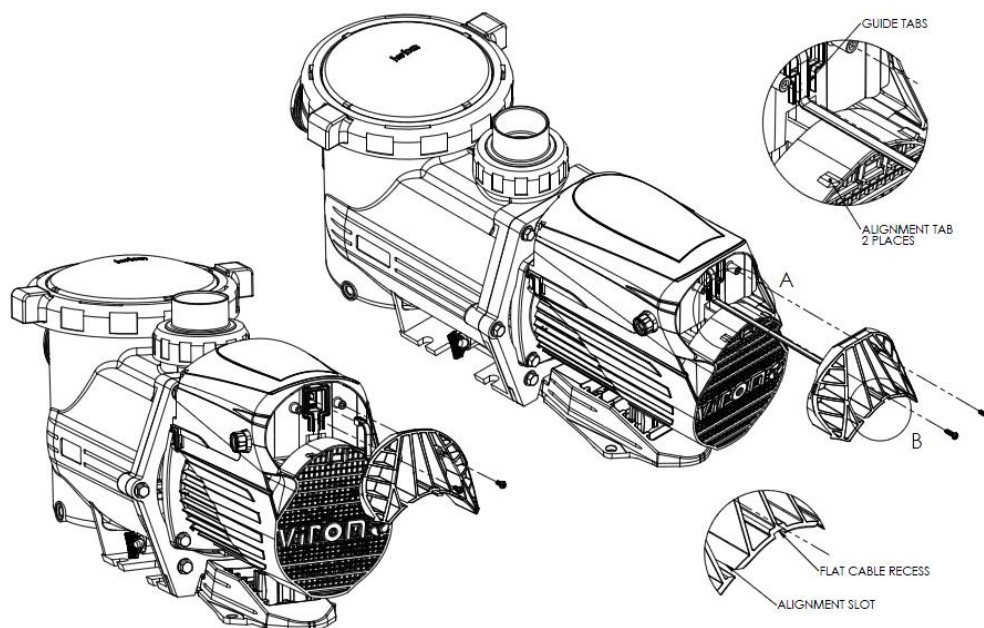
\* Por favor, tenga en cuenta: Es normal que el código de fallo "Lo V" aparezca brevemente al inicio.

### Conector de cable de datos:

Si una máquina de cloración salina compatible VX AstralPool, una máquina de cloración salina Viron o un control con pantalla táctil Viron Connect, se conectan con el cable de comunicación AstralPool, la velocidad de la bomba y las horas de funcionamiento se pueden controlar a través de dichos dispositivos.

Las Viron P320 y P600 eVo deben tener su temporizador integrado desactivado si las horas de funcionamiento y las velocidades de la bomba van a estar controladas desde la máquina de cloración compatible AstralPool, desde el controlador de dosificación e-Quilibrium o desde el control con pantalla táctil Viron Connect.

Extraiga 2 tornillos de estrella de la parte posterior de la bomba y retire a mano la cubierta del puerto de datos. Conecte el cable plano de 6 hilos RJ12 adquirido a ArtralPool en la parte posterior de la bomba y vuelva a montarlo. Para lograr un sellado correcto, presione el cable plano bajo las pestañas de guía (vista detallada A). Vuelva a deslizar en su sitio la cubierta del puerto, alineando las pestañas con las ranuras y el cable plano con la hendidura (vista detallada B).



## CONTROL REMOTO DE LAS VELOCIDADES Y FUNCIONES DEL TEMPORIZADOR

- Bomba Viron eVo autónoma
  - 4 períodos de temporizador integrados en la bomba
  - 3 ajustes de velocidad programables
  - En cada período se puede seleccionar la velocidad baja, media o alta
  - El período de cebado se puede seleccionar entre 2 y 120 minutos
  - Las RPM del cebado se pueden seleccionar entre 1275 y 2850 RPM

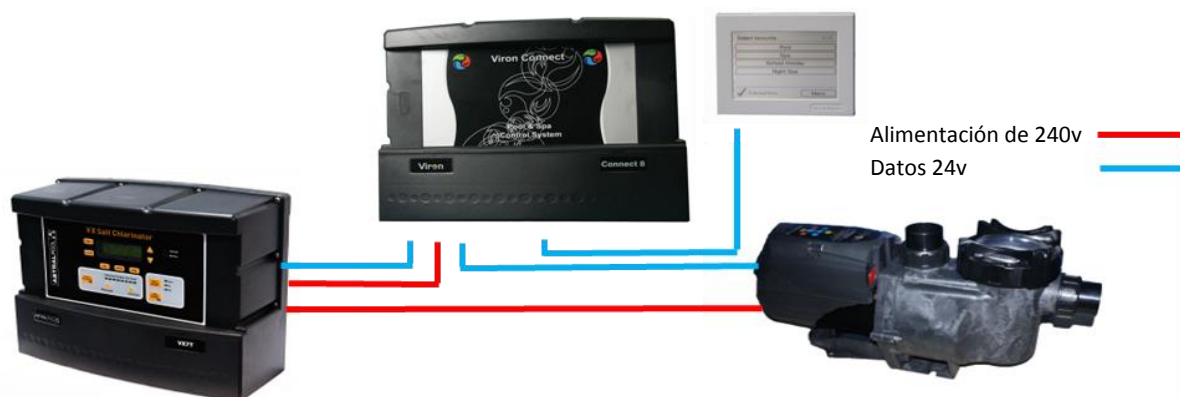


- Todos los modelos de bombas Viron eVo y una máquina de cloración VX con temporizador o una máquina de cloración salina Viron compatible
  - Períodos del temporizador establecidos en la máquina de cloración
  - Para cada período se puede seleccionar la velocidad baja, media o alta
  - El cable de datos conecta la bomba a la máquina de cloración a través del módulo de interfaz de comunicaciones
  - La bomba eVo debe tener desactivados los períodos del temporizador
  - La velocidad de la bomba se puede cambiar desde la bomba (para máquinas de cloración de principios de 2012)



- Todos los modelos de bombas eVo, máquina de cloración VX S (sin temporizador) y sistema de control a distancia Viron Connect
  - Períodos del temporizador establecidos en el controlador
  - 3 ajustes de velocidad programables en la bomba
  - Seleccione la velocidad baja, media o alta durante cada período del temporizador

- Cables de datos para conectar la bomba / máquina de cloración / controlador
- La bomba eVo debe tener desactivados los períodos del temporizador
- La velocidad de la bomba se puede cambiar desde el controlador o desde la bomba



## EJEMPLOS DE SELECCIÓN DE VELOCIDAD PARA VIRON P600 EVO

Función	Velocidad
Aspirador de piscina o Spa	Velocidad media (la velocidad alta puede colapsar la manguera del aspirador)
Chorros de Spa en funcionamiento	Velocidad alta o media
Cascada u otra función con agua en funcionamiento	Velocidad Media o Alta, dependiendo del efecto requerido
Limpieza de la piscina con agua turbia	Hasta 24 horas a velocidad Alta
Filtración general	Velocidad Baja (8 horas en invierno, de 8 a 12 horas en verano)
Sistema de limpiafondos de bomba única	Velocidad media durante 2 o 3 horas al día y velocidad baja durante 5 o 6 horas al día
Limpiador a presión compatible	2 o 3 horas al día a velocidad alta, 5 o 6 horas al día a velocidad baja

## USO CON LIMPIADORES DE SUCCIÓN

Cuando se conecta un limpiador de succión a la bomba Viron EVO, es esencial efectuar el cebado completo en la bomba antes de conectar la manguera del limpiador. Durante el funcionamiento a velocidades bajas, la bomba sólo puede funcionar con un cebado parcial en la cámara de pelos y pelusas.

Para utilizar un limpiador de succión en su bomba:

1. Escoja el botón de velocidad (Low, Medium o High) a la que la bomba funcionará cuando esté conectado el limpiador.
2. Deje que la bomba funcione un mínimo de 2 minutos para permitir el cebado completo.



3. Conecte la bandeja y la manguera del limpiador al skimmer / aspirador de la pared sólo tras haberse purgado todo el aire de la parte superior del recipiente de pelos y pelusas de su bomba Viron.
4. Ajuste la velocidad (con los botones de subir o bajar) a la que el limpiador se desplazará por todas las zonas de la piscina. La velocidad media establecida de fábrica hará funcionar todos los tipos de limpiadores en la mayoría de las piscinas. Si utiliza el ajuste de velocidad media, normalmente será necesario aumentar la velocidad para asegurar que el limpiador de succión funcione de manera fiable.
5. Cuando ya no necesite el limpiador, desconecte y extraiga la manguera / bandeja del sistema. Seleccione la velocidad de filtración más baja que mantenga limpia su piscina.
6. Si desea sustituir el limpiador o elegir otro, AstralPool le recomienda el robot limpiador Aquatron, que funciona independientemente de la bomba de filtrado y permite a la bomba funcionar a la velocidad que le ofrezca el máximo ahorro de energía (y dinero).

## USO CON CALENTADORES DE GAS ASTRALPOOL

Los calentadores de gas (y las bombas calentadoras eléctricas) normalmente dependen de un interruptor de presión de agua para activar el circuito de control del calentador. Cuando una bomba de velocidad variable funciona a baja velocidad, la presión de agua producida suele no ser suficiente para activar el interruptor de presión y el circuito de control dentro del calentador.

Si utiliza un calentador de gas compatible AstralPool, puede aumentar automáticamente la velocidad de su bomba eVo, para garantizar que el interruptor de presión de agua se active y que el calentador obtenga un caudal de agua suficiente para funcionar correctamente.

Un cable RJ12 (plano de 6 hilos), cableado específicamente y adquirido a AstralPool, conectará su bomba con su calentador. Consulte el manual de instrucciones del calentador para más detalles acerca de la conexión del cable de datos.



Bomba Viron conectada al calentador Viron u otro calentador compatible AstralPool mediante un cable RJ 12	
Estado del calentador Viron	Respuesta de la bomba Viron
Si el calentador está apagado	Funciona a la velocidad establecida por defecto.
Si está activado pero no encendido	Funciona a un mínimo de la velocidad media. El usuario puede utilizar los botones para seleccionar únicamente media o alta (el botón de velocidad baja no tiene efecto). El “período de inicio” se cancela.

Si la llama se enciende	Funciona a velocidad alta. El usuario no puede cambiar la velocidad de la bomba.
Si la llama se apaga	Funciona a la velocidad establecida por defecto o a velocidad media si el calentador está activado.

Bomba Viron conectada al calentador Viron u otro calentador compatible AstralPool mediante un Viron Connect	
Estado del calentador Viron	Respuesta de la bomba Viron
Si el calentador está apagado	Funciona a la velocidad manual del usuario o a la velocidad seleccionada por defecto si funciona con los temporizadores.
Si está activado pero no encendido	Cambia a la velocidad más alta configurada por el usuario en la configuración de la instalación (la velocidad de “calentador activado”); o a la velocidad del temporizador actual. El usuario no puede cambiar a velocidad baja.
Si la llama se enciende	Funciona a velocidad alta. El usuario no puede cambiar la velocidad de la bomba.
Si la llama se apaga	Funciona a la velocidad manual del usuario o a la velocidad seleccionada por defecto si funciona con los temporizadores.

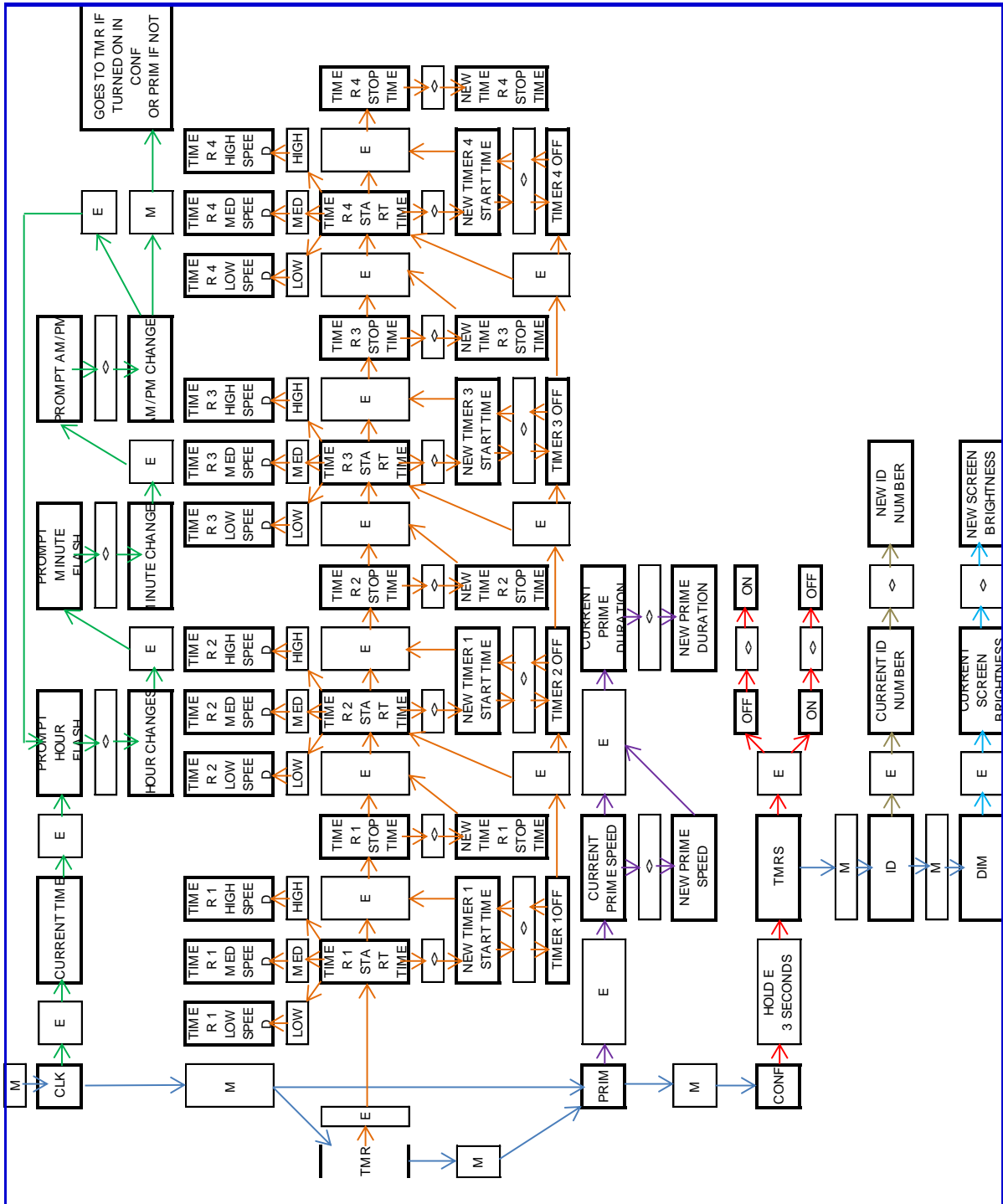
## MANTENIMIENTO

**Calendario de mantenimiento:** Su nuevo producto incorpora partes móviles y soporta agua a alta velocidad con productos químicos en ella. Algunas de estas partes se desgastarán con el transcurso normal del uso y necesitan revisiones y mantenimiento regulares. Al realizar estas revisiones y tareas de mantenimiento se identificarán las piezas que se han desgastado y necesitan reparación / sustitución antes de que puedan ocasionarse daños más graves. Unos pocos cuidados y atenciones para el equipamiento de su piscina le ayudarán a asegurar un rendimiento sin problemas y una larga vida útil.

Intervalo	Revisión de mantenimiento	Tarea de mantenimiento (si es necesario)
Semanalmente o menos	Revisar y vaciar el cesto de pelos y pelusas	Vaciar las hojas y residuos
Trimestralmente	Revisar la junta tórica de la tapa y las juntas tóricas de entrada / salida en busca de fugas	Aislar la bomba, cortar la corriente, limpiar y engrasar las juntas tóricas o sustituirlas si es necesario
Trimestralmente	Revisar las inmediaciones en busca de hojas, residuos o inundaciones	Retirar los residuos y corregir si hay alguna inundación
Trimestralmente	Revisar si hay fugas bajo la bomba	Llamar al servicio técnico, reparar o sustituir el sello mecánico y los cojinetes del motor si es necesario

**Nota importante:** Es importante realizar un mantenimiento regular para asegurar una larga vida útil y un rendimiento sin problemas para el equipamiento de su piscina. Si no puede realizar el mantenimiento usted mismo, póngase en contacto con su oficina local de AstralPool, quienes le ofrecerán un técnico para realizar el mantenimiento por usted.

# DIAGRAMA DE FLUJO DEL CONTROL VIRON EVO



# CERTIFICADO DE GARANTIA

## 1. ASPECTOS GENERALES

- 1.1. De acuerdo con estas disposiciones, el vendedor garantiza que el producto Astral correspondiente a esta garantía (“el Producto”) no presenta ninguna falta de conformidad en el momento de su entrega.
- 1.2. El Período de Garantía para el producto es de dos (2) años y se calculará desde el momento de su entrega al comprador.
- 1.3. Si se produjera una falta de conformidad del Producto y el comprador lo notificase al vendedor durante el Período de Garantía, el vendedor deberá reparar o sustituir el Producto a su propio coste en el lugar donde considere oportuno, salvo que ello sea imposible o desproporcionado.
- 1.4. Cuando no se pueda reparar o sustituir el Producto, el comprador podrá solicitar una reducción proporcional del precio o, si la falta de conformidad es suficientemente importante, la resolución del contrato de venta.
- 1.5. Las partes sustituidas o reparadas en virtud de esta garantía no ampliarán el plazo de la garantía de Producto original, si bien dispondrán de su propia garantía.
- 1.6. Para la efectividad de la presente garantía, el comprador deberá acreditar la fecha de adquisición y entrega del Producto.
- 1.7. Cuando hayan transcurrido más de seis meses desde la entrega del Producto al comprador y éste alegue falta de conformidad de aquél, el comprador deberá acreditar el origen y la existencia del defecto alegado.
- 1.8. El presente Certificado de Garantía no limita o prejuzga los derechos que correspondan a los consumidores en virtud de normas nacionales de carácter imperativo.

## 2. CONDICIONES PARTICULARES

- 2.1. La presente Garantía cubre los productos de la familia “Bombas de filtración” de Astral Pool.
- 2.2. El presente Certificado de Garantía será de aplicación únicamente en los países de la Unión Europea.
- 2.3. Para la eficacia de esta garantía, el comprador deberá seguir estrictamente las indicaciones del Fabricante incluidas en la documentación que acompaña al Producto, cuando ésta resulte aplicable según la gama y modelo del Producto.
- 2.4. Cuando se especifique un calendario para la sustitución, mantenimiento o limpieza de ciertas piezas o componentes del Producto, la garantía solo será válida cuando se haya seguido dicho calendario correctamente.

## 3. LIMITACIONES

- 3.1. La presente garantía únicamente será de aplicación en aquellas ventas realizadas a consumidores, entendiéndose por “consumidor”, aquella persona que adquiere el Producto con fines que no entran en el ámbito de su actividad profesional.
- 3.2. No se otorga ninguna garantía respecto del normal desgaste por uso del producto. En relación con las piezas, componentes y/o materiales fungibles o consumibles como cierres mecánicos, rodamientos y elementos de estanqueidad se estará a lo dispuesto en la documentación que acompañe al Producto, en su caso.
- 3.3. Queda fuera del alcance de la presente garantía los elementos accesorios al producto “Bomba de filtración” no incluidos explícitamente con él, tales como armarios de maniobra, transformadores, equipos de protección, etc.

3.4. Quedan cubiertos por la garantía aquellos fallos en el producto originados única y exclusivamente por defecto de materiales y/o mano de obra. La garantía no cubre aquellos casos en que el Producto: (i) haya sido objeto de un trato incorrecto; (ii) haya sido instalado, reparado, mantenido o manipulado por persona no autorizada o (iii) haya sido reparado o mantenido con piezas no originales. Queda fuera del alcance de la presente garantía los desperfectos originados por usos accidentales o inadecuados como:

- Funcionamiento de la bomba en seco
- Dosificación incorrecta de los productos químicos en la piscina.
- Daños de agua procedente de elementos exteriores a las condiciones de bombeo.
- Ventilación inadecuada.
- Uso en aplicaciones diferentes de la filtración de agua en piscinas.

3.5. Cuando la falta de conformidad del Producto sea consecuencia de una incorrecta instalación o puesta en marcha, la presente garantía sólo responderá cuando dicha instalación o puesta en marcha esté incluida en el contrato de compra-venta del Producto y haya sido realizada por el vendedor o bajo su responsabilidad.



Viron P320 eVo

Viron P600 eVo

Pompes de piscine et de Spa

ASTRALPOOL



## INSTRUCTIONS D'INSTALLATION ET DE FONCTIONNEMENT



Viron P320 eVo



Viron P600 eVo



- Déclare sous leur propre responsabilité que toutes les pompes : Les pompes pour piscine Viron eVo, monophasées, fabriquées depuis le 01 / 01 / 12, quel que soit leur numéro de série, sont conformes à
  - Directive 98 / 37 / CE relative aux prescriptions de sécurité des machines
  - Directive 2004 / 108 / CE relative à la compatibilité électromagnétique
  - Directive 2006 / 95 / CE relative à la basse tension
  - Directive 2000 / 14 / CE relative aux émissions sonores
  - EN 60034 / 1 Machine tournante
  - EN 610000 / 4 / 2 Immunité électromagnétique
  - EN 60446 / 1 Appareils ménagers
  - EN 60335-2-41 / A1:2004

#### **CARACTÉRISTIQUES DE LA POMPE ASTRALPOOL VIRON eVo – DESCRIPTION DU PRODUIT ET DES ACCESSOIRES**

Le corps de la pompe est fabriqué à partir de thermoplastiques de la dernière génération. Les pompes sont à amorçage automatique multi-vitesses avec un rendement maximal de 2 hp, et sont équipées de moteurs monophasés. Un préfiltre a été intégré dans le corps de la pompe pour éviter l'entrée de particules étrangères qui pourraient endommager les pièces hydrauliques de la pompe.

Les moteurs fournis avec l'unité de motopompe ont été protégés par une protection IP-X5 et sont adaptés pour résister à des atmosphères très chaudes et des niveaux d'humidité élevés.



**Peter Wallace**

Directeur général, ASTRALPOOL AUSTRALIE



UNE BLESSURE GRAVE OU LA MORT PEUVENT SURVENIR SI LE PRÉSENT PRODUIT N'EST PAS UTILISÉ, MANIPULÉ OU INSTALLÉ CONFORMÉMENT À CES INSTRUCTIONS ET AUX NORMES AUSTRALIENNES CORRESPONDANTES.

**WARNING**



CET APPAREIL N'EST PAS DESTINÉ À UNE UTILISATION PAR DE JEUNES ENFANTS OU DES PERSONNES HANDICAPÉES. NE LAISSEZ PAS LES ENFANTS SANS SURVEILLANCE AFIN QU'ILS NE JOUENT PAS AVEC L'APPAREIL.

**WARNING**



LA POMPE PRODUIT DE FORTES PRESSIONS - ÉCARTEZ DE LA POMPE TOUT ÉQUIPEMENT DE FILTRATION AU DÉMARRAGE.

**WARNING**



LA POMPE NE DOIT ÊTRE INSTALLÉE QUE PAR UN PERSONNEL QUALIFIÉ DU SECTEUR DES PISCINES. LES INSTALLATEURS, LES MANIPULATEURS ET LES PROPRIÉTAIRES DOIVENT LIRE CES INSTRUCTIONS AVANT L'UTILISATION.

**WARNING**



LA POMPE REDÉMARRE AUTOMATIQUEMENT APRÈS UNE LIMITE ÉLEVÉE DE MANIPULATION, DÉCONNECTER L'ÉNERGIE DE LA POMPE AVANT L'ENTRETIEN OU LE DÉPANNAGE.

**WARNING**



UN MAUVAIS RÉGLAGE DES VITESSES DE CETTE POMPE PEUT PROVOQUER UNE MAUVAISE FILTRATION OU MANIPULATION DE LA PISCINE OU DU SPA. S'ASSURER QUE LA POMPE EST INSTALLÉE, RÉGLÉE ET COMMANDÉE PAR UN DISTRIBUTEUR AGRÉÉ ASTRALPOOL.



## GÉNÉRALITÉS

---

La pompe de piscine Viron eVo est un moteur CC unique à vitesse variable en aimant permanent combiné à l'extrémité humide d'une pompe éconergétique. Lorsqu'elle est installée et raccordée correctement, le Viron eVo permettra de réduire considérablement les coûts d'exploitation, les niveaux de bruit et de réduire les émissions de gaz à effet de serre.

La gamme de pompe de piscine Viron eVo est disponible dans divers modèles, présentant les vitesses suivantes définies en usine et qui proposent des débits approximatifs :

Modèle	Élevée	Moyenne	Faible
Viron P320 eVo	320 lpm	206 lpm	128 lpm
Viron P600 eVo	600 lpm	426 lpm	200 lpm

(Débits basés sur une vitesse maximale à 8 m de hauteur manométrique totale).

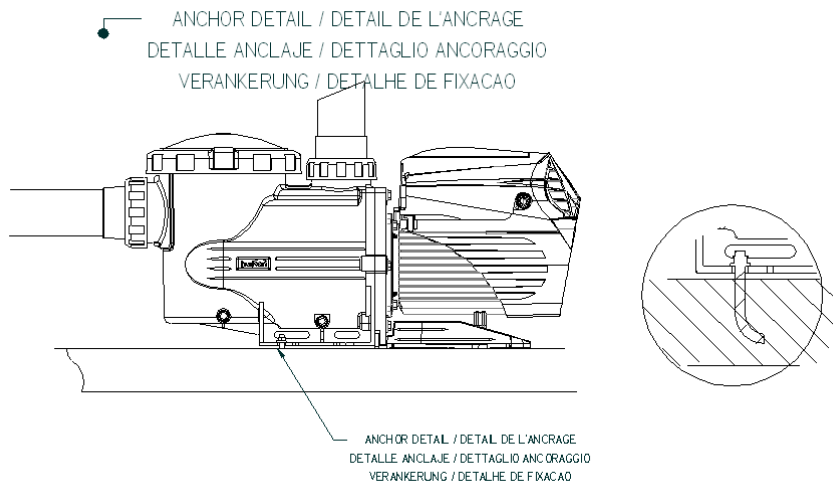
Chaque vitesse peut être facilement changée pour adapter la taille, le filtre, le raccordement et l'application de votre piscine. Les pompes de la série Viron eVo doivent être installées par un pisciniste professionnel formé par AstralPool afin de s'assurer qu'elle a été choisie pour l'application correcte, adéquatement installée et configurée en fonction de votre piscine et son fonctionnement entièrement expliqué à vous.

## CARACTÉRISTIQUES

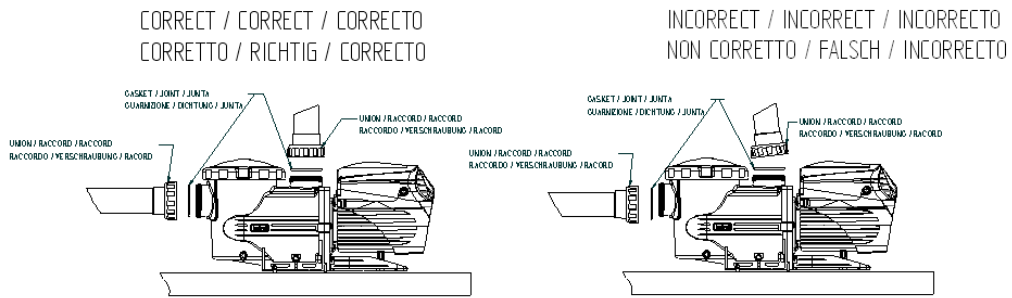
---

- Moteur nominal en fonctionnement continu
- Précision renforcée moulée dans la turbine à tête haute, offrant une performance supplémentaire
- Pièce unique de corps moulé pour plus de solidité et une longévité accrue
- Le diffuseur d'amorçage rapide corrige rapidement la perte de débit d'eau
- Démontage rapide et aisé pour l'entretien
- Panier de grande capacité doté d'une rampe facilement amovible du couvercle
- Possibilité de régler les vitesses prédéfinies à l'usine pour un débit d'eau optimal et une économie maximale d'énergie de votre piscine et de ses pièces
- Circuit hydraulique doublement isolé pour une protection électrique maximale

### Schéma 1



### Schéma 2



### Schéma 3

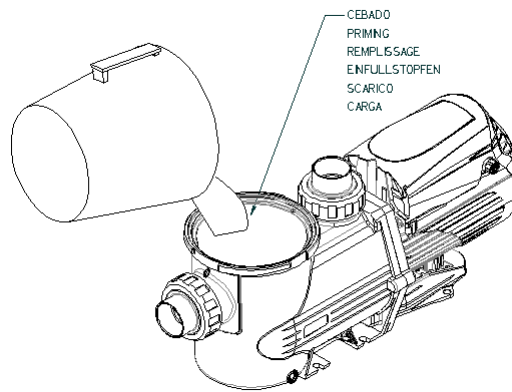


Schéma 4

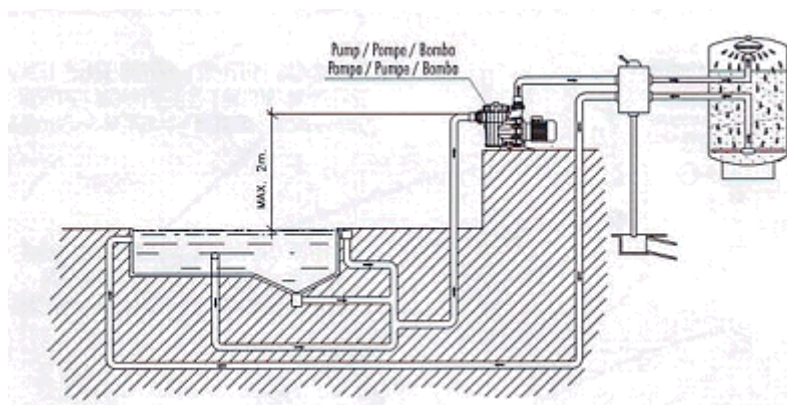
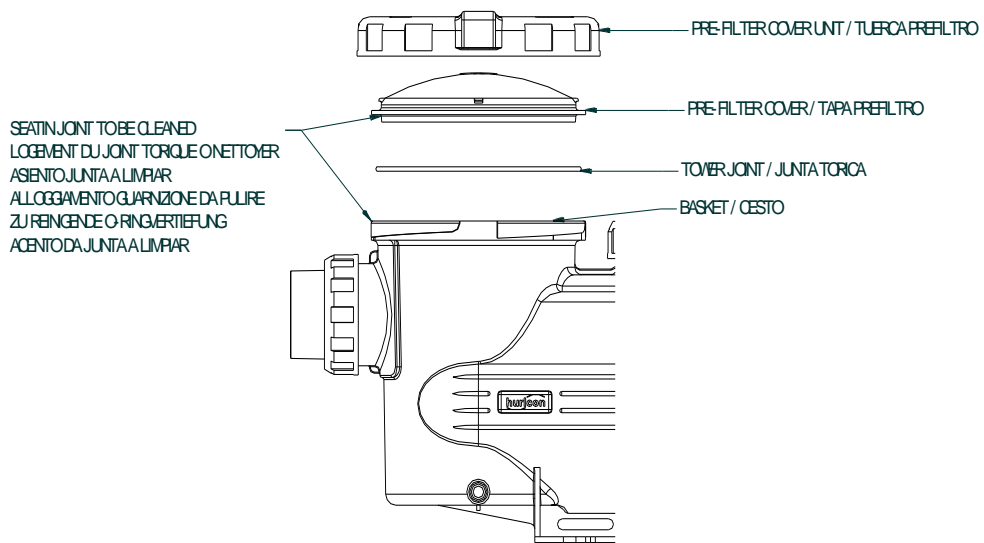
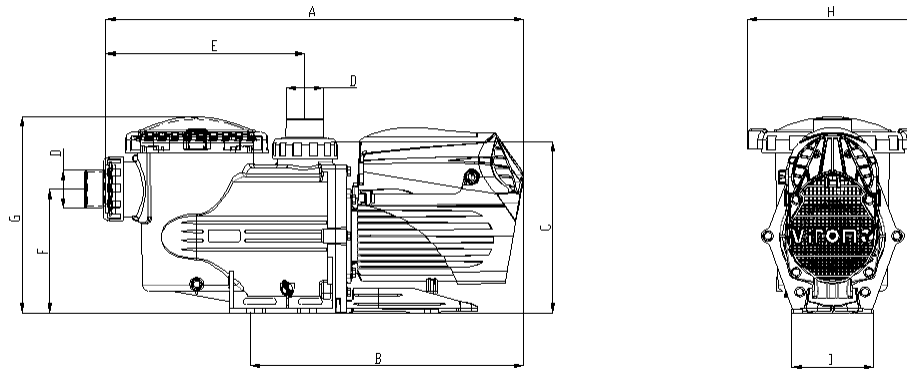


Schéma 5



TECHNICAL CHARACTERISTICS / RENSEIGNEMENTS TECHNIQUES  
 CARACTERISTICAS TECNICAS / DATI TECNICI  
 TECHNISCHE ANGABEN / CARACTERISTICAS TECNICAS



COD.	Cv	A	B	C	E	F	G	H	I	D
56550	1 II	622	480	300	346	215	345	300	120	50
56551	1 II	720	480	300	346	215	345	300	120	50
56552	2 II	720	480	300	346	215	345	300	120	50

## INSTALLATION

Cet équipement doit être installé par un pisciniste professionnel expérimenté. Lors de l'installation de l'appareil, assurez-vous que toutes les pièces sont installées dans la zone qui convient conformément aux réglementations de câblage. Veuillez vous référer en particulier aux normes AS / NZS 3000 (Australie) et EN 60364 (EU).

### A. Positionnez la pompe de sorte qu'elle soit :

1. Exempte d'injection d'eau comme dans un puisard, un jardin creux, un fossé ou en dessous d'une bande avec ruissellement.
2. Sur une base stable de sorte que :
  - a) La pompe ne reste pas suspendue par ses accessoires, causant une fuite ou une défaillance avec la perte d'eau.
  - b) Le mouvement par vibration est limité.
  - c) Aucune contrainte n'est mise sur la conduite de fixation ou sur d'autres équipements coûteux.
3. Accessible pour l'entretien et facile à enlever pour le dépannage.
4. Espace de respiration. La pompe ne doit pas être encombrée pour empêcher le refroidissement du flux d'air du ventilateur. Une surchauffe due à un manque de refroidissement annule la garantie.
5. À portée du point de puissance sans extension / bouchons responsables de la corrosion, des courts-circuits, etc.
6. À une hauteur minimale d'aspiration d'eau de la surface de la piscine à la pompe d'admission.

### B. Pour un meilleur fonctionnement de la pompe, maintenir la longueur du tuyau d'aspiration la plus courte possible avec un nombre minimal de coudes et utiliser un tuyau d'aspiration à haute pression PVC de

50 mm et un tuyau de retour. Tous les équipements tels que les filtres, les appareils de chauffage, les chlorateurs doivent avoir des raccordements d'au moins 50 mm.

- C. Protégez les ensembles de barils fournis dans le tuyau de fixation à l'aide d'un fluide d'amorçage approuvé et de la colle à solvant comme pratique normale, revêtant les deux surfaces. **REMARQUE** : Toujours porter des gants lors de la manipulation et l'utilisation de la colle et fluide d'amorçage. Assurez-vous qu'aucun excès de colle ne coule dans l'ensemble de façon inappropriée affectant l'étanchéité ou les capacités d'élimination. Attendre 24 heures pour sécher avant de démarrer la pompe. Ne pas utiliser de la colle « verte » sur les ensembles de barils. Cela peut causer des dommages au matériel ABS utilisé pour fabriquer les ensembles.
- D. Installez les vannes d'isolement avant la section de pompe et après les équipements au cas où la pompe se trouve en deçà du niveau de l'eau de la piscine.
- E. Pour les installations de pompe à 500 mm au-dessus du niveau de l'eau, il faut généralement un clapet de pied à la piscine ou un clapet antiretour dans la conduite d'aspiration. Les conduites d'aspiration doivent être installées en dessous du niveau de l'eau jusqu'à ce qu'elles se trouvent en face de l'emplacement de la pompe et de la colonne montante verticale utilisée pour atteindre la pompe d'admission. Les pompes AstralPool sont notées à une hauteur maximale de 25 mètres. Toutefois, veuillez vous référer à la plaque signalétique de vos pompes pour la pression atteignable réelle.
- F. Toutes les pompes fonctionneront plus silencieusement et plus efficacement si un tube à longueur droite de 450 mm est plombé horizontalement à l'avant de la pompe.
- G. La température de l'eau ne doit pas dépasser 45 °C.
- H. Les pompes doivent être soit
  - fournie par un transformateur de séparation ; soit
  - fournie à travers un courant différentiel résiduel qui répond avec une intensité de courant ne dépassant pas 30 mA.

**Avertissement : Les pompes Viron comprennent un PCB et des micropuces. Il est nécessaire de couper l'alimentation complètement pour 10 secondes avant de remettre la pompe en marche. Certaines marques de chlorateurs peuvent laisser échapper une petite quantité d'énergie dans la pompe Viron même lorsque la pompe est en mode extinction. Dans ce cas, la pompe Viron ne peut se réinitialiser correctement tant que l'alimentation n'est pas complètement coupée. Dans certains cas, le fabricant de ces Chlorateurs peut enlever ou modifier un condensateur qui va complètement couper l'alimentation de la pompe lorsqu'il est éteint. Sinon, il est nécessaire d'acheter un chlorateur approprié. Les chlorateurs de piscine Astral coupent complètement l'alimentation de la pompe lorsque cette dernière est mise en mode extinction.**

## FONCTIONNEMENT

---

1. Amorcer la pompe si le pot à cheveux et peluches est sec ainsi qu'il suit - Fermez la vanne de la conduite d'aspiration si elle est présente. Enlevez le couvercle du pot à peluches. Remplacez le pot à peluches et la chambre d'eau. Replacez et fixez le couvercle du pot de peluches et scellez.
2. Ouvrez les vannes pour laisser l'eau circuler dans la pompe.
3. Alimentez la pompe pour que le moteur se mette en marche.
4. S'il n'y a pas écoulement d'eau au bout de trente secondes, éteignez et amorcez la pompe de nouveau. Si la pompe ne s'amorce pas après trois tentatives, vérifiez tous les raccordements d'aspiration pour

l'étanchéité. S'ils sont satisfaisants, une vérification du clapet anti-retour est nécessaire pour stopper l'eau à l'amorçage.

5. Si le débit d'eau à travers la pompe empêche toujours d'obtenir un démarrage après le nettoyage du couvercle du panier ; ensuite, une évaluation du système est requise pour établir la raison et corriger la cause. Ex : Clapet anti-retour, fuites d'air, joint défectueux, couvercle du pot à peluches fendillé, etc.
6. Le Viron eVo possède 3 vitesses pré-réglées en usine - faible, moyenne et élevée. Élevée doit être utilisée lors du rétrolavage en vidant manuellement la piscine ou en faisant fonctionner les jets de spa ou certaines caractéristiques de l'eau telles que les cascades. La vitesse moyenne peut être utilisée pour une action à jet de spa doux lorsque l'aspirateur est relié à l'écumoire ou à la filtration pour la piscine. Faible est le paramètre recommandé pour la filtration de votre piscine au quotidien quand un nettoyeur n'est pas connecté.
7. Le Viron eVo démarre automatiquement à élevée pendant les 5 premières minutes pour aider à l'amorçage et pour remplir sensiblement le pot de cheveux et de peluche d'eau. Après 5 minutes, la pompe va revenir à la dernière vitesse à laquelle elle se trouvait avant d'être éteinte.
8. Pendant le fonctionnement normal, il est recommandé que la pompe soit utilisée à Faible 12 heures par jour. Cela entraînera des coûts d'exploitation plus faibles et de faibles niveaux de bruit. S'il y a dans votre piscine des zones où l'eau ne se retourne pas lorsque la pompe est réglée sur Faible, augmentez la vitesse.

**Remarques :** L'appareil n'est pas conçu pour être utilisé par des personnes telles que les jeunes enfants ou les handicapés avec des capacités physiques, sensorielles ou mentales réduites, ou des personnes n'ayant pas d'expérience ou de connaissance, à moins qu'elles aient reçu la garde ou les instructions sur l'utilisation de l'équipement de la part d'une personne responsable de sa sécurité.

Veillez vous assurer que les adolescents sont surveillés pour garantir qu'ils ne jouent pas avec la pompe.

Pour éviter tout danger, si le cordon d'alimentation est endommagé, il doit être remplacé par AstralPool, son agent de réparation ou une personne qualifiée pour le faire.

### Heures de fonctionnement

À faible vitesse votre pompe Viron fait très peu de bruit et la probabilité qu'elle nuise à vous ou à votre entourage est mince. En général, votre pompe de filtre de la piscine doit fonctionner pendant un minimum de 8 heures par jour pour fournir un écumage suffisant (réduisant ainsi la quantité de débris qui se dépose au fond de la piscine) et permettre à la chloration de fournir suffisamment de chlore pour désinfecter votre piscine.

**Une plus grande économie d'énergie est possible lorsqu'on fait fonctionner la pompe pendant de longues durées et à faible vitesse plutôt que pendant de courtes périodes à une vitesse élevée.**

## SÉLECTION DES VITESSES APPROPRIÉES

---

Règles générales :

- Le volume total d'eau de votre piscine doit être retourné au moins une fois par jour.
- Si l'appareil fonctionne pendant de longues périodes de temps, vous pouvez transformer la sortie de votre chlorateur à sel à un niveau inférieur. Vérifiez votre niveau de chlore fréquemment pour vous assurer que vous n'avez pas plus ou moins de chlore dans votre piscine.
- **La vitesse faible** est pré-réglée en usine et constitue le réglage recommandé pour votre filtre quotidien du taux d'écoulement – assez pour retourner l'eau plus d'une fois par jour et faire circuler l'eau de façon complète autour de votre piscine.

- **La vitesse moyenne** est généralement réglée en tant que votre vitesse d'écoulement à des fins particulières. Par exemple, un système de nettoyage de plancher nécessite de fortes pressions et vitesses d'écoulement pour fonctionner, et la vitesse moyenne peut être réglée pour faire fonctionner le système de nettoyage de plancher. D'autres vitesses d'écoulement à des fins particulières incluent : le fonctionnement des jets de spa, le fonctionnement des jets d'eau ou les caractéristiques de l'eau, le fonctionnement d'un aspirateur pour piscine.
- **La vitesse élevée** est généralement réglée pour le rétrolavage du filtre à sable. Généralement, ce débit doit être réglé de façon à ce que la jauge de votre filtre soit d'environ 70 à 100 kpa de pression ; mais cela dépend de la taille de votre filtre, de même que de la taille et de la longueur du tuyau de rétrolavage.

Par temps chaud ou lorsque la piscine est fréquemment utilisée, la pompe doit fonctionner 12 heures par jour, voire plus. Vérifiez vos niveaux de chlore et inspectez visuellement votre eau pour vous assurer que (a) vous utilisez le chlore adéquat et que (b) l'eau de votre piscine semble claire et accueillante. Si vous avez des doutes, prélevez un échantillon de l'eau de votre piscine pour une analyse hydraulique.

Exemples de sélection de débit pendant le fonctionnement et l'utilisation de la pompe Viron P280 ou P300 eVo :

Fonction	Débit
Passer l'aspirateur pour piscine ou spa	Vitesse élevée
Utilisation des jets de spa	Vitesse élevée
Fonctionnement des cascades ou des caractéristiques de l'eau	Vitesse moyenne ou élevée, dépendant de l'effet recherché
Nettoyage de la piscine à l'eau trouble	Jusqu'à 24 heures à vitesse élevée
Filtrage général	Faible vitesse (8 heures en hivers, 8 à 12 heures en été)

Quelques astuces :

La P320 fournit environ 15 000 à 18 000 litres par heure à vitesse élevée en fonction de la tuyauterie, des vannes, de la taille du filtre et des autres équipements installés dans votre piscine. À faible vitesse, la vitesse d'écoulement pré-réglée en usine est d'environ 7 500 litres par heure. **La faible vitesse utilise environ 10 % de la consommation d'énergie** utilisée en vitesse élevée. Par conséquent, faire fonctionner la pompe 8 heures par jour fournira à une piscine de 60 000 litre un fonctionnement complet.

La pompe P600 fournit environ 36 000 litres par heure en fonction de la tuyauterie ; et la faible vitesse pré-réglée en usine à 1125 RPM fournit environ 12 000 litres par minute. Cela est suffisant pour retourner une piscine de 96 000 litres plus d'une fois par jour.

À titre indicatif, la faible vitesse devrait atteindre un écumage visible de la surface de la piscine à travers votre écumoire. Lorsqu'elle est connectée à un chlorateur de sel compatible AstralPool, le système de contrôle à écran tactile Connect Viron, nous recommandons que pendant une heure par jour du temps de filtrage elle soit lancée au moins à vitesse moyenne pour faciliter la circulation totale et un bon écumage de la surface de la piscine. L'équilibre du cycle de filtrage peut être ensuite réglé à basse vitesse.

Toutefois, si l'eau de votre piscine développe des bulles ou la surface de votre piscine présente une croissance des algues, vous devrez peut-être augmenter la faible vitesse de votre pompe pour assurer une circulation adéquate de l'eau et du chlore sur toutes les parties de la piscine.

Il est important de vérifier vos niveaux de chlore, le pH et les autres paramètres pour vous assurer que la qualité de votre eau est bonne avant de régler la vitesse de votre pompe. Ne recommandons que ces contrôles soient effectués par votre magasin spécialisé en piscine ou par un technicien de service.

## FONCTIONNEMENT DU PANNEAU DE COMMANDE – VIRON P320 EVO ET P600 EVO

---

Les pompes eVo P320 et P600 comportent un écran LCD rétro-éclairé avec les caractéristiques suivantes :

Horloge intégrée :

- Programmable pour jusqu'à quatre périodes de minuterie chaque jour
- Les périodes de minuterie peuvent être annulées et 1, 2, 3, 4 périodes sélectionnées
- Différentes vitesses (faible, moyenne, élevée) pour chaque période de minuterie
- Affiche le RMP réel du moteur, et la vitesse faible, moyenne et élevée peut être réglée en fonction de votre piscine
- Les temps d'horloge et les périodes de minuterie peuvent être désactivées s'ils sont connectés à une horloge externe
- Peuvent être programmés avec une télécommande compatible AstralPool ou un chlorateur pour fonctionner à différentes vitesses pendant les différentes périodes de la journée
- Permet à la vitesse d'amorçage (démarrage) d'être réglable, et au temps de la vitesse de démarrage d'être modifié de 2 minutes jusqu'à 120 minutes



Panneau de commande Viron eVo




## FONCTIONNEMENT DU PANNEAU DE COMMANDE – VIRON P320 ET P600 EVO (SUITE)




---

Utilisation de la minuterie intégrée pour faire fonctionner la pompe avec un chlorateur AstralPool ou une unité de dosage e-Quilibrium


### Réglage par défaut

1. Les minuteurs intégrés sont activés et contrôlent le temps de fonctionnement de la pompe.
2. La connectivité au chlorateur à sel correspondant AstraPool, aux contrôleurs de doses chimiques e-Quilibrium ou aux télécommandes Viron Connect est éteinte.
3. Utilisez le bouton  « auto » pour mettre en marche ou arrêter la pompe. À la position Marche, la pompe reste éteinte jusqu'à la prochaine période de minuterie, à moins qu'elle soit remise en marche manuellement. Si la pompe est remise en marche manuellement, elle continue de fonctionner indéfiniment. Si elle est à la position « Off » (visible sur l'écran LCD), la pompe reste indéfiniment éteinte. Pour le fonctionnement de la minuterie, vérifiez que le bouton « auto » est enfoncé et que l'écran LCD affiche « auto ».

### Réglage de l'heure actuelle

1. Si vous êtes connecté à un chlorateur à sel conforme AstralPool ou à un câble de données du contrôleur de dosage e-Quilibrium entre l'arrière de la pompe et le chlorateur du dispositif de dosage e-Quilibrium.
2. Branchez et mettez sous tension la pompe et le chlorateur (ou l'unité de dosage).
3. Basculez MENU (deux fois) jusqu'à ce que « CLK » apparaisse et appuyez sur ENTER pour régler l'heure. Utilisez  les flèches haut et bas  pour régler l'heure, appuyez sur ENTER pour régler les minutes, puis appuyez sur ENTER pour régler AM ou PM.
4. Appuyez sur  ENTER pour accepter.
5. L'écran LCD clignote rapidement 3 fois pour signaler que le nouveau paramètre a été accepté.

### Configuration de la pompe pour fonctionner indépendamment du chlorateur externe conforme AstralPool ou du système de contrôle

1. Basculez MENU jusqu'à ce que « CONF » s'affiche sur l'écran LCD.
2. Appuyez et maintenez la touche ENTER pendant 3 secondes. « TMRS » s'affiche.
3. Appuyez sur ENTER.
4. Appuyez sur les boutons Haut et Bas pour mettre en marche « TMRS ».
5. Appuyez sur ENTER pour accepter.
6. Appuyez sur  « auto » pour revenir au MENU principal.

### Modification des réglages de vitesse faible, moyenne et élevée


1. Sélectionnez le bouton de vitesse à régler, notamment faible, moyenne ou élevée. Le voyant LED correspondant s'allumera.

2. Modifiez la vitesse par tranches de 25 RPM en utilisant les flèches haut et bas jusqu'à ce que la vitesse souhaitée s'affiche sur l'écran. Le voyant correspondant « Speed 1 », « Speed 2 », ou « Speed 3 » s'allume pendant la modification.
3. La nouvelle vitesse sera automatiquement sauvegardée au bout de 2 secondes. Le clignotement s'arrête pour signaler la sauvegarde.

### **Configuration des périodes de la minuterie de filtrage**

1. Appuyer sur MENU pour accéder au réglage PRIM.
2. La période d'amorçage par défaut est de 5 minutes et à vitesse élevée. Nous vous recommandons, si votre pompe est installée au niveau ou au-dessous du niveau de l'eau, de changer la PRIM à 2 minutes. Appuyez sur ENTER puis sur les flèches haut ou bas pour changer la vitesse d'amorçage. Appuyez sur ENTER pour accepter. La période d'amorçage s'affiche alors.
3. Utilisez la flèche Haut ou Bas pour modifier la période d'amorçage. Appuyez sur ENTER pour accepter.
4. Appuyez sur MENU pour accéder aux « réglages de minuterie » TMR et appuyez sur ENTER pour changer.
5. La minuterie 1 est réglée en usine pour commencer à 8 heures. Utilisez flèches haut ou bas pour changer. Appuyez sur High, Medium ou Low pour sélectionner la vitesse de la pompe au cours de minuterie 1. Sur l'écran LCD, Faible est représentée par « speed 1 », Moyenne par « speed 2 » et Élevée par « speed 3 ».
6. Appuyez sur ENTER pour passer à l'heure d'arrêt ou de fin de la minuterie 1. Utilisez les flèches haut et bas pour changer la fin de la minuterie 1.
7. La minuterie 2 s'affiche alors à l'écran LCD. Répétez les instructions 4 à 6. Ci-dessus.
8. La minuterie 3 apparaît alors, mais est pré-réglée en usine à ARRÊT. Déplacer une minuterie à minuit mettra cette période à ARRÊT. Utilisez les flèches haut et bas pour activer le temps et répétez les étapes 4 et 5 ci-dessus.
9. La minuterie 4 est aussi pré-réglée en usine à « ARRÊT », mais peut être activée en utilisant les flèches haut et bas.
10. N'oubliez pas de sélectionner la vitesse que vous souhaitez faire fonctionner au cours de chaque période de la minuterie en appuyant sur les boutons High, Medium ou Low tout en restant dans le programme de démarrage de la minuterie.

### **Utilisation des minuterie intégrées de la pompe avec un chlorateur non conforme ou l'unité de dosage.**

1. Nous ne recommandons pas l'utilisation des minuterie de la pompe quand un chlorateur non conforme ou doseur chimique est fourni pour l'écoulement de l'eau par la pompe P320 ou P600 eVo.
2. Dans ce cas, les heures de fonctionnement de la pompe doivent être contrôlées par l'horloge du temps du chlorateur, et la pompe branchée dans le chlorateur. Il s'agit d'une mesure de sécurité prévue par la plupart des fabricants de chlorateur.
3. Cependant, il est important de désactiver les minuterie intégrées de la pompe.
4. Basculez MENU jusqu'à ce que « CONF » s'affiche sur l'écran LCD.
5. Appuyez et maintenez la touche ENTER pendant 3 secondes.
6. Basculer MENU jusqu'à ce que « TMR » s'affiche.
7. Appuyez sur les boutons Haut et Bas pour arrêter le « TMR ».
8. Appuyez sur ENTER pour accepter.
9. Appuyez sur  « auto » pour revenir au MENU principal.

10. En faisant un cercle à travers le bouton MENU, le TMR ne s'affiche plus.
11. Il ne va plus être possible pour vous de changer automatiquement la vitesse de la pompe pendant différentes périodes de la journée.
12. Toutefois, si vous le souhaitez pendant une période où la pompe fonctionne à une vitesse élevée, par exemple faire circuler l'eau vigoureusement pendant une partie du filtrage quotidien, vous pouvez utiliser le réglage d'amorçage pour ce faire.




#### **Utilisation du programme d'amorçage pour faire circuler l'eau à une vitesse d'écoulement plus élevée pendant une partie du cycle de filtrage quotidien.**

1. Basculer MENU pour passer au réglage PRIM.
2. La période d'amorçage par défaut est de 5 minutes et à vitesse élevée. Utilisez les flèches haut et bas pour modifier la période d'amorçage jusqu'à 120 minutes. Utilisez les boutons High Medium ou Low pour sélectionner la vitesse à laquelle vous souhaitez que la pompe fonctionne pendant la période d'amorçage. Dans ce cas, nous vous recommandons de sélectionner le bouton vitesse Élevée.
3. Appuyez sur « auto » pour quitter la programmation.

#### **Utilisation de la pompe avec commande externe conforme AstralPool**

AstralPool fabrique la chloration au sel, les unités de dosage chimiques e-Quilibrium ou le système de commande à écran tactile Viron Connect qui peut contrôler à la fois les temps de fonctionnement de toutes les pompes Viron eVo, en PLUS la vitesse à laquelle la pompe fonctionne pendant chaque période de minuterie.

Pour les P320 et P600, vous devez activer le port de communication et désactiver la pompe à minuteries intégrées.

1. Basculez MENU jusqu'à ce que CONF (configuration) s'affiche. Appuyez sur la touche ENTER pendant 3 secondes.
2. Basculer MENU jusqu'à ce que « TMR » s'affiche.
3. Appuyez sur les boutons Haut et Bas pour arrêter le « TMR ». Rappelez-vous, vous utilisez maintenant la commande externe pour régler les heures de fonctionnement de la pompe, de sorte que la minuterie de la pompe doive être éteinte.
4. Appuyez sur ENTER pour accepter.
5. Basculez MENU jusqu'à ce que « SYS » (système) s'affiche. Appuyez sur les boutons  haut ou bas  et mettez en marche à « MARCHE ». Les Viron P320 ou P600 eVo acceptent le début, la fin, et les instructions de vitesse de la pompe du chlorateur de contrôle conforme AstralPool, du contrôleur de dosage e-Quilibrium ou de la commande à écran tactile Viron Connect.
6. Appuyez sur  « auto » pour revenir au menu principal.
7. Le temps reste visible sur l'écran LCD. Cependant, la fonction de minuterie dans le réglage du MENU n'apparaît plus. Basculez le bouton MENU qui va alors afficher uniquement PRIM (programme d'amorçage), CLK (réglage de l'horloge) et CONF (menu Configuration).
8. Reportez-vous à votre chlorateur conforme AstralPool, au contrôleur de dosage e-Quilibrium ou au manuel de programmation de la vitesse de la pompe et des heures de fonctionnement de la commande à écran tactile Viron Connect.

## Codes d'erreur

### Pompe P320 et P600 uniquement

Code d'erreur (affiché à l'écran)	Signification
HI T	Surchauffe
HI A	Surintensité
Lo V*	Faible tension d'entrée
BSUC	Moteur bloqué

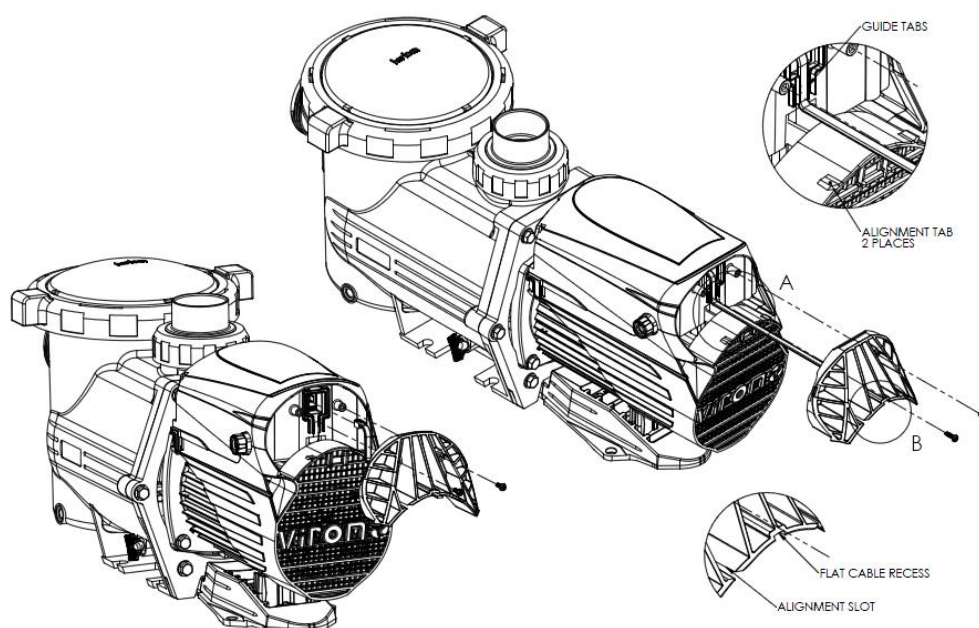
\*Veuillez noter : Il est normal que le code d'erreur « Lo V » s'affiche brièvement au démarrage.

### Connecteur du câble de données :

Si un chlorateur au sel compatible AstralPool VX, un chlorateur à sel Viron ou l'écran tactile Viron Connect est connecté au câble de communication AstralPool, la vitesse de la pompe et les heures de fonctionnement peuvent être contrôlées par ces dispositifs.

La Viron P320 et P600 eVo doit avoir sa minuterie intégrée désactivée si les périodes et les vitesses de fonctionnement de la pompe doivent fonctionner avec un chlorateur au sel conforme AstralPool, le contrôleur de dosage e-Quilibium ou la télécommande à écran tactile Viron Connect.

Retirez les 2 écrans de tête Phillips de l'arrière de la pompe et le couvercle du port de données est enlevé à la main. Branchez le câble plat RJ12 6 du fil acheté à AstralPool en arrière de la pompe et remontez. Pour obtenir une étanchéité correcte, appuyez sur le câble plat sous les onglets de guidage (vue détaillée A). Faites revenir le port de données en alignant les onglets avec les fentes, et le câble plat avec la cunette (vue détaillée B).

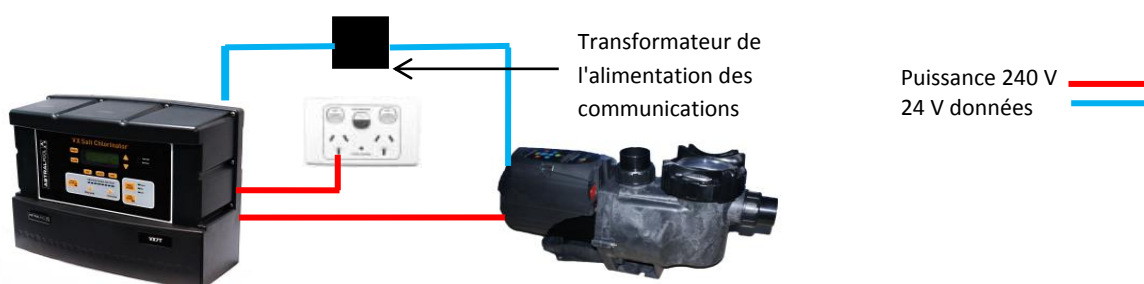


## TELECOMMANDE DES FONCTIONS VITESSES ET MINUTERIES

- Pompe autonome Viron eVo
  - 4 périodes de minuteries intégrées dans la pompe
  - 3 réglages de vitesses programmables
  - Vitesse faible, moyenne ou élevée peut être sélectionnée à chaque période de minuterie
  - La période d'amorçage peut être choisie entre 2 et 120 minutes
  - L'amorçage RPM peut être choisi entre 1275 et 2850 RPM

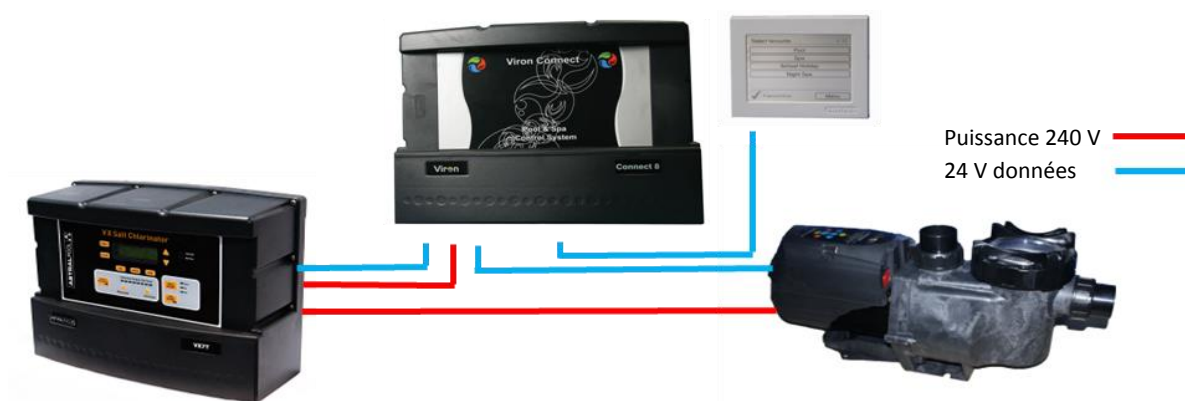


- Tous les modèles de pompes Viron eVo et la minuterie du modèle de chlorateur compatible VX ou le chlorateur au sel Viron
  - Réglage des périodes de minuterie du chlorateur
  - Vitesse faible, moyenne ou élevée peut être sélectionnée à chaque période de minuterie
  - La pompe de raccordement du câble de données au chlorateur à travers le module de l'interface de communication
  - Pompe eVo à régler avec des périodes de minuteries désactivées
  - La vitesse de la pompe peut être modifiée à partir de la pompe (à partir du chlorateur début 2012)



- Tous les modèles de pompe Viron eVo, le modèle de chlorateur VX S (non minuté) et le système de télécommande Viron Connect
  - Réglage des périodes de minuterie du contrôleur
  - 3 réglages de vitesses programmables sur la pompe
  - Sélectionnez vitesse faible, moyenne ou élevée pendant chaque période de minuterie
  - Pompe de raccordement des câbles de données / chlorateur / contrôleur

- Pompe eVo à régler avec des périodes de minuteries désactivées
- La vitesse de la pompe peut être modifiée à partir de la pompe ou du contrôleur



## EXEMPLES DE SÉLECTION DE VITESSE POUR VIRON P600 EVO

Fonction	Débit
Passer l'aspirateur pour piscine ou spa	Vitesse moyenne (une vitesse élevée peut noyer le tuyau d'aspiration)
Utilisation des jets de spa	Vitesse moyenne ou élevée
Fonctionnement des cascades ou des caractéristiques de l'eau	Vitesse moyenne ou élevée, dépendant de l'effet recherché
Nettoyage de la piscine à l'eau trouble	Jusqu'à 24 heures à vitesse élevée
Filtrage général	Faible vitesse (8 heures en hivers, 8 à 12 heures en été)
Système de nettoyage de plancher à pompe unique	Vitesse moyenne pour 3 à 3 heures par jour et à faible vitesse pendant 5 ou 6 heures par jour
Nettoyeur haute pression compatible	2 ou 3 heures par jour à vitesse élevée, 5 ou 6 heures par jour à faible vitesse

## UTILISEZ AVEC LES ASPIRATEURS

Lorsque vous raccordez un aspirateur à la pompe Viron eVo, il est essentiel que le plein amorçage soit effectué sur la pompe avec le raccordement du tuyau de nettoyage. Pendant le fonctionnement à faible vitesse, la pompe ne peut fonctionner qu'avec un amorçage partiel dans la chambre du pot à cheveux et à peluches.

Pour faire fonctionner un aspirateur sur votre pompe :

1. Choisissez le bouton de vitesse (Low, Medium ou High) sur lequel la pompe fonctionne lorsque l'aspirateur est connecté.
2. Faire fonctionner la pompe pendant un minimum de 2 minutes afin de permettre un amorçage complet.
3. Connectez la plaque de l'aspirateur et le tuyau à l'écumoire / la paroi de l'aspirateur seulement après que tout l'air ait été retiré du dessus du pot à cheveux et à peluches de votre pompe Viron.

4. Ajustez la vitesse (avec les boutons augmentation ou diminution) à laquelle le nettoyeur parviendra à toutes les zones de la piscine. La vitesse moyenne réglée en usine fait généralement fonctionner tous les types d'aspirateur dans nombre de piscines. Si vous utilisez le réglage faible vitesse, il sera généralement nécessaire d'augmenter la faible vitesse afin de vous assurer que l'aspirateur fonctionne de manière fiable.
5. Lorsque l'aspirateur n'est plus nécessaire, débranchez et retirez le tuyau / la plaque du système. Sélectionnez la vitesse de filtrage la plus faible qui maintient votre piscine propre.
6. Si vous remplacez ou sélectionnez un nouvel aspirateur, AstralPool recommande un robot nettoyeur Aquatron qui fonctionne indépendamment de la pompe du filtre et permet à la pompe de fonctionner à une vitesse qui offre le maximum d'économie d'énergie (et de coûts).

## UTILISATION AVEC DES RADIATEURS À GAZ ASTRALPOOL

Les radiateurs à gaz (et les pompes à chaleur électriques) s'appuient généralement sur un interrupteur à pression d'eau pour activer le circuit de commande de chauffage. Lorsqu'une pompe à vitesse variable fonctionne à faible vitesse, la pression de l'eau produite est généralement insuffisante pour activer l'interrupteur à pression et le circuit de commande du radiateur.

Si vous utilisez un chauffage au gaz AstralPool compatible, vous pouvez augmenter automatiquement la vitesse de votre pompe Viron eVo pour vous assurer que l'interrupteur à pression d'eau est activé et que le chauffage obtient un débit suffisant d'eau pour fonctionner correctement.

Un RJ12 (câble plat à 6 fils) spécifiquement filaire et obtenu chez AstralPool raccorde votre pompe et le chauffage. Veuillez vous reporter au manuel d'instructions du chauffage pour les détails sur le raccordement du câble des données.



Pompe Viron une fois raccordée au chauffage Viron ou à un autre chauffage compatible AstralPool à travers le câble RJ12	
État du chauffage Viron	Réponse de la pompe Viron
Lorsque le chauffage est à l'ARRÊT	Fonctionne à vitesse réglée par défaut.
En Marche mais pas allumé	Fonctionne à un minimum de vitesse moyenne. L'utilisateur peut se servir des boutons pour sélectionner moyenne ou élevée uniquement (le bouton faible vitesse n'a aucun effet). La « période de démarrage » est annulée.
Lorsque premiers	Fonctionne à vitesse élevée. L'utilisateur ne peut pas changer la vitesse de la



voyants s'allument	pompe.
Lorsque la lumière s'éteint	Fonctionne à vitesse réglée par défaut ou vitesse moyenne si le chauffage est en marche.

Pompe Viron une fois raccordée au chauffage Viron ou à un autre chauffage compatible AstralPool à travers Viron Connect	
État du chauffage Viron	Réponse de la pompe Viron
Lorsque le chauffage est à l'ARRÊT	Fonctionne à la vitesse du manuel de l'utilisateur ou à la vitesse choisie par défaut lors du fonctionnement en raison des minuteries.
En Marche mais pas allumé	Les modifications apportées à la vitesse la plus élevée qui est configurée par l'utilisateur lors de la configuration de l'installation (la vitesse du « chauffage en Marche ») ; ou la vitesse de la minuterie actuelle. L'utilisateur ne peut pas passer à faible vitesse.
Lorsque premiers voyants s'allument	Fonctionne à vitesse élevée. L'utilisateur ne peut pas changer la vitesse de la pompe.
Lorsque la lumière s'éteint	Fonctionne à la vitesse du manuel de l'utilisateur ou à la vitesse choisie par défaut lors du fonctionnement en raison des minuteries.

## ENTRETIEN

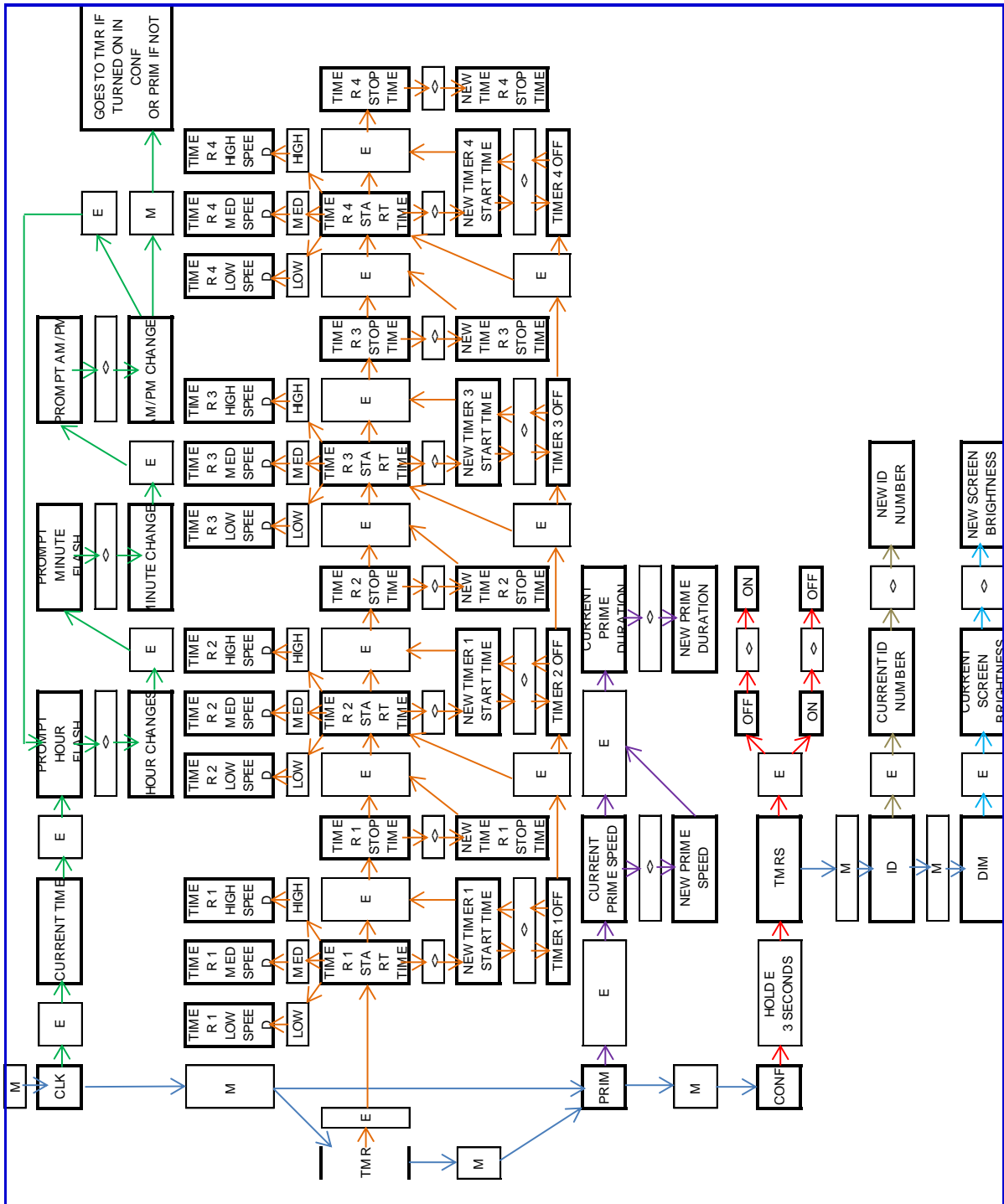
**Calendrier d'entretien :** Votre nouveau produit contient des pièces mobiles et résiste à l'eau à haute vitesse avec des produits chimiques intégrés. Certaines de ces pièces s'useront dans le cours normal d'utilisation et exigent des vérifications et un entretien réguliers. L'exécution de ces vérifications et de l'entretien va identifier les pièces usées et qui nécessitent une réparation / un remplacement avant qu'un dommage plus grave ne survienne. Quelques entretiens réguliers et un peu d'attention aux équipements de votre piscine permettront d'assurer une longévité et un fonctionnement sans problème.

Calendrier	Vérification d'entretien	Opération de maintenance (si nécessaire)
Hebdomadaire ou plus souvent	Vérifiez et videz le panier à cheveux et à peluches	Enlevez les feuilles et les résidus
Trois fois par mois	Vérifiez le joint torique du couvercle et des anneaux d'entrée / sortie pour les fuites	Isolez la pompe, coupez l'alimentation et graissez les joints toriques ou remplacez-les si nécessaire
Trois fois par mois	Vérifiez les alentours pour les feuilles, les débris et les inondations	Enlevez les débris et rectifiez toute inondation probable
Trois fois par mois	Vérifier les fuites en dessous de la pompe	Appelez un technicien de service, réparez ou remplacez la garniture mécanique et les roulements du moteur si nécessaire

**Bon à savoir :** Un entretien régulier est important pour assurer une longévité et un fonctionnement sans problème des équipements de votre piscine. S'il est impossible d'effectuer l'entretien vous-même, contactez

your local AstralPool office will dispatch a qualified service technician to perform the maintenance for you.

## DIAGRAMME DE FLUX DE CONTROLE VIRON EVO



## CERTIFICAT DE GARANTIE

### 1. ASPECTS GENERAUX

1.1. Conformément à ces dispositions, le vendeur garantit que le produit Astral correspondant à cet garant ("le Produit") ne présente pas aucun défaut de conformité au moment de sa livraison.

1.2. Le Période de Garantie pour le produit est de deux (2) ans et elle sera calculée à partir de la date de remise à l'acheteur.

1.3. S'il se produisait un défaut de conformité du Produit et si l'acheteur le notifiât au vendeur pendant le Période de Garantie, le vendeur devrait réparer ou remplacer le Produit, à ses propres frais au lieu qu'il jugerait opportun, à moins que cela soit impossible ou disproportionné.

1.4. Lorsque le Produit ne pourra être ni réparé ni remplacé, l'acheteur pourra demander une réduction proportionnelle du prix ou, si le défaut de conformité est suffisamment important, la résolution du contrat de vente.

1.5. Les pièces remplacées ou réparées en vertu de cette garantie ne prolongeront pas le délai de la garantie du produit original, celles-ci étant cependant couvertes par leur propre garantie.

1.6. Pour l'effectivité de la présente garantie, l'acheteur devra justifier la date d'acquisition et de livraison du Produit.

1.7. Quand plus de six (6) mois se seront écoulés depuis la remise du produit à l'acheteur et que ce dernier alléguera un défaut de conformité de ce Produit, l'acheteur devra justifier l'origine et l'existence du défaut allégué.

1.8. Le présent Certificat de Garantie ne limite pas ni préjuge les droits qui correspondent aux consommateurs en vertu des normes nationales de nature impérative.

### 2. CONDITIONS PARTICULIERES

2.1. La présente Garantie couvre les produits et les familles «Pompes de Filtration» d'Astral Pool.

2.2. Le présent Certificat de Garantie ne sera applicable que dans les pays de l'Union Européenne.

2.3. En vue de l'efficacité de cette Garantie, l'acheteur devra suivre rigoureusement les indications du Fabricant figurant dans la documentation qui est jointe au Produit, quand celle-ci sera applicable selon la gamme et le modèle du Produit.

2.4. Quand un calendrier est spécifié pour le remplacement, la maintenance ou le nettoyage de certaines pièces ou de certains composants du Produit, la Garantie sera valable uniquement lorsque ledit calendrier aura été suivi correctement.

### 3. LIMITATIONS

3.1. La présente Garantie ne sera applicable que dans les ventes réalisées aux consommateurs, considérant comme « consommateur » toute personne qui achète le Produit à des fins n'étant pas du domaine de son activité professionnelle.

3.2. Aucune garantie n'est concédée pour ce qui a trait à l'usure normale due à l'utilisation du Produit. En ce qui concerne les pièces, les composants et/ou matériels fongibles ou consommables comme des garnitures mécanique, roulements et des éléments d'étanchéité, il faudra respecter ce qui est stipulé dans la documentation qui est jointe au Produit.

3.3. Il est hors d'atteinte de la présente Garantie, les éléments accessoires au produit « Pompe de Filtration » ne pas inclus explicitement avec lui, comme des armoires de manœuvre, transformateurs, équipes de protection, etc.

3.4. Il seront couverts par la Garantie, les failles du Produit causés unique et exclusivement par defect des matériaux et/ou main d'œuvre. La Garantie ne couvre pas les cas où le produit: (i) a fait l'objet d'un traitement incorrecte ; (ii) a été installé , réparé, maintenue ou manipulé par une personne non autorisée ou (iii) a été réparé ou maintenue avec des pièces qui ne sont pas d'origine. La présente Garantie ne couvre pas les dommages produits par une utilisation accidentelle ou inappropriée comme:

- Fonctionnement de la pompe à sec
- Dosage incorrecte des products chimiques dans la piscine
- Dommage de l'eau en provenance des éléments extérieures aux conditions de pompage
- Ventilation inadéquate
- Usage dans des applications différentes de la filtration de l'eau dans les piscines

3.5. La garantie ne couvre pas le cas où le Produit à fait l'objet d'une installation ou d'une mise en marche incorrectes, à moins que cette installation ou cette mise en marche soient comprises dans le contrat d'achat et de vente du Produit et aient été réalisées par le vendeur ou sous sa responsabilité.



Viron P320 eVo  
Viron P600 eVo  
Pompe per piscina e spa

**ASTRALPOOL**



## ISTRUZIONI PER L'INSTALLAZIONE E L'USO



Viron P320 eVo



Viron P600 eVo



#### Prova di conformità

- Dichiaro sotto la propria responsabilità che tutte le pompe: Le pompe per piscina Viron eVo, monofase, prodotte dal 01 / 01 / 12, indipendentemente dal numero seriale, sono conformi con
  - Le prescrizioni delle Direttive di Sicurezza dei Macchinari 98 / 37 / CE
  - Le direttive di compatibilità elettromagnetica 2004 / 108 / CE
  - Le direttive sul basso voltaggio 2006 / 95 / CE
  - Le direttive sulle emissioni di rumore 2000 / 14 / CE
  - Sulla rotazione delle macchine EN 60034 / 1
  - Sull'immunità elettromagnetica EN 610000 / 4 / 2
  - Sugli elettrodomestici EN 60446 / 1
  - EN 60335-2-41 / A1:2004

#### **SPECIFICHE TECNICHE POMPA ASTRALPOOL VIRON eVo – DESCRIZIONE PRODOTTO E ACCESSORI**

Il corpo della pompa è fatto di termoplastica dell'ultima generazione. Le pompe sono centrifughe ed autoadescanti a multivelocità con potenza in uscita fino a 2 hp, e sono dotate di motori monofase. Un pre-filtro è integrato nel corpo della pompa per evitare l'entrata di corpi estranei che potrebbero causare danni alle parti idrauliche della pompa.

I motori forniti con l'unità di pompaggio sono protetti con una protezione IP-X5 e sono adatti a sopportare ambienti caldi e alti livelli di umidità.



**Peter Wallace**

Amministratore delegato, ASTRALPOOL AUSTRALIA



SE IL PRODOTTO NON È UTILIZZATO, AZIONATO O INSTALLATO SECONDO LE PRESENTI ISTRUZIONI E LE NORME AUSTRALIANE PERTINENTI, POSSONO VERIFICARSI INFORTUNI GRAVI O MORTE.

**WARNING**



QUESTO DISPOSITIVO NON È INTESO PER L'USO DA PARTE DI BAMBINI O PERSONE CON CAPACITÀ LIMITATE. SORVEGLIARE I BAMBINI PER EVITARE CHE GIOCHINO CON IL DISPOSITIVO.

**WARNING**



LA POMPA PRODUCE ALTE PRESSIONI – STARE LONTANI DALLA POMPA E DA TUTTI I DISPOSITIVI DI FILTRAGGIO DURANTE L'AVVIO.

**WARNING**



LA POMPA DEVE ESSERE INSTALLATA SOLO DA UN PROFESSIONISTA DEL SETTORE DELLE PISCINE QUALIFICATO. INSTALLATORI, OPERATORI E PROPRIETARI DEVONO LEGGERE QUESTE ISTRUZIONI PRIMA DELL'USO.

**WARNING**



LA POMPA SI RIAVVIA AUTOMATICAMENTE UN ARRESTO PER SOVRACCARICO, SCOLLEGARE L'ALIMENTAZIONE DELLA POMPA PRIMA DI EFFETTUARE MANUTENZIONE O RIPARAZIONI.

**WARNING**



IMPOSTAZIONI NON CORRETTE DELLA VELOCITÀ SU QUESTA POMPA POSSONO CAUSARE MALFUNZIONAMENTI NEL FILTRAGGIO O NEL FUNZIONAMENTO DELLA PISCINA O DELLA SPA. ASSICURARSI CHE LA POMPA SIA INSTALLATA, IMPOSTATA E REVISIONATA DA UN RIVENDITORE AUTORIZZATO ASTRALPOOL.

## GENERALE

---

La pompa per piscina Viron eVo è costituita da un unico motore CC a magnete permanente a velocità variabile combinato con un elemento pompante energeticamente efficiente. Se installata e collegata correttamente, la pompa Viron eVo consente di ridurre significativamente i costi operativi, emette livelli di rumore più bassi e gas serra in quantità inferiore.

La serie di pompe da piscina Viron eVo è disponibile in una varietà di modelli, con le velocità impostate di fabbrica che offrono tassi di pompaggio approssimativi:

Modello	Alto	Medio	Basso
Viron P320 eVo	320 lpm	206 lpm	128 lpm
Viron P600 eVo	600 lpm	426 lpm	200 lpm

(Tassi di pompaggio basati sulla velocità massima ad 8 m di prevalenza dinamica totale).

Ciascuna velocità può essere facilmente modificata per adattarsi alle dimensioni della piscina, al filtro, all'impianto idraulico e all'applicazione. Le pompe della serie Viron eVo devono essere installate da un professionista delle piscine formato da AstralPool per assicurarsi che sia stata selezionata l'applicazione corretta, correttamente installata e impostata per adattarsi alla piscina e al suo uso.

## CARATTERISTICHE

---

- Motori per impiego continuo
- Girante a testa alta modellata e rinforzata, di precisione, per prestazioni extra
- Corpo in unico pezzo per ulteriore resistenza e maggiore durata
- Diffusore di adescamento rapido correggere rapidamente la riduzione del flusso d'acqua
- Smontaggio semplice e rapido per assistenza
- Contenitore ad alta capacità con rampa facilmente rimovibile sul coperchio
- Possibilità di regolare le velocità pre-impostate per un flusso dell'acqua ottimale e il massimo risparmio energetico per la piscina e le sue attrezzature
- Circuito idraulico a doppio isolamento per la massima protezione elettrica



Fig. 1

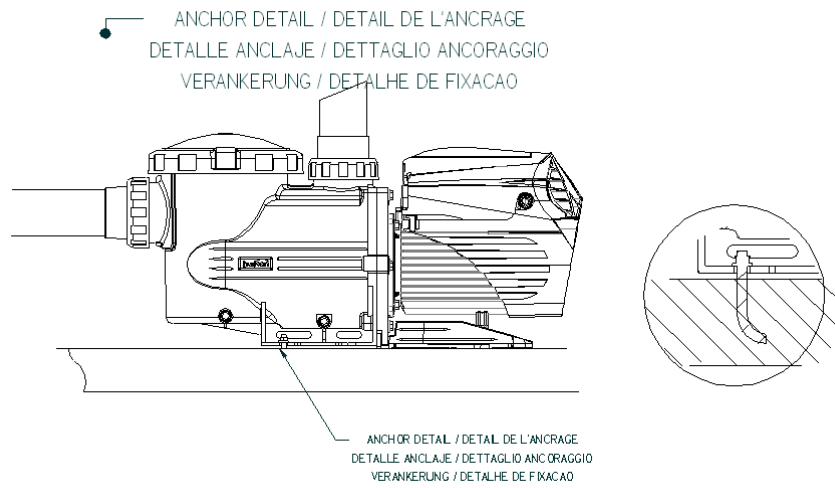


Fig. 2

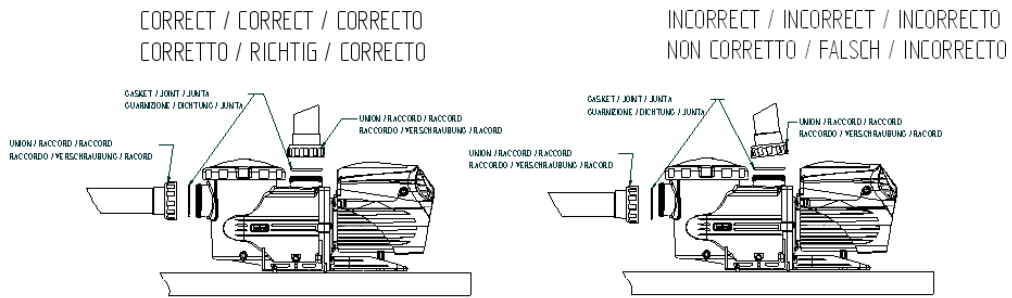


Fig. 3

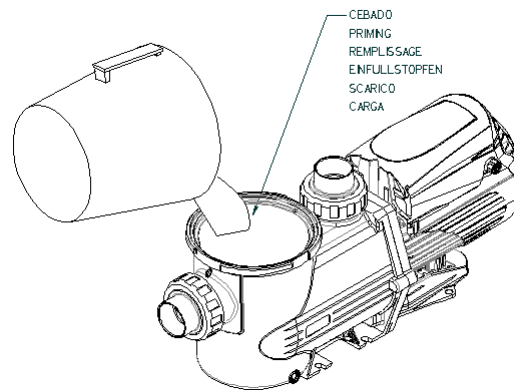


Fig. 4

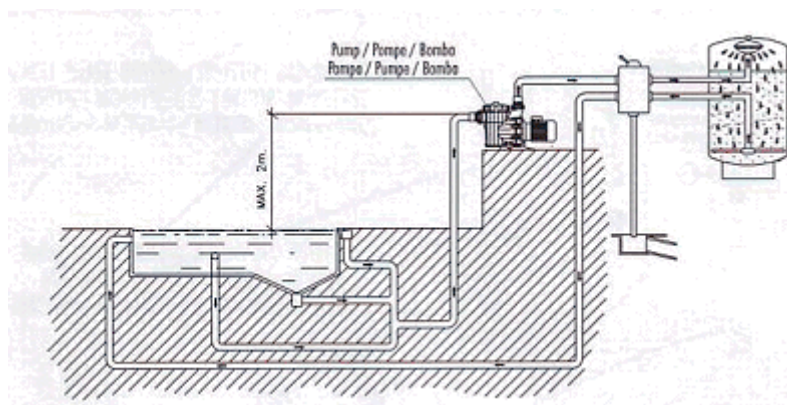
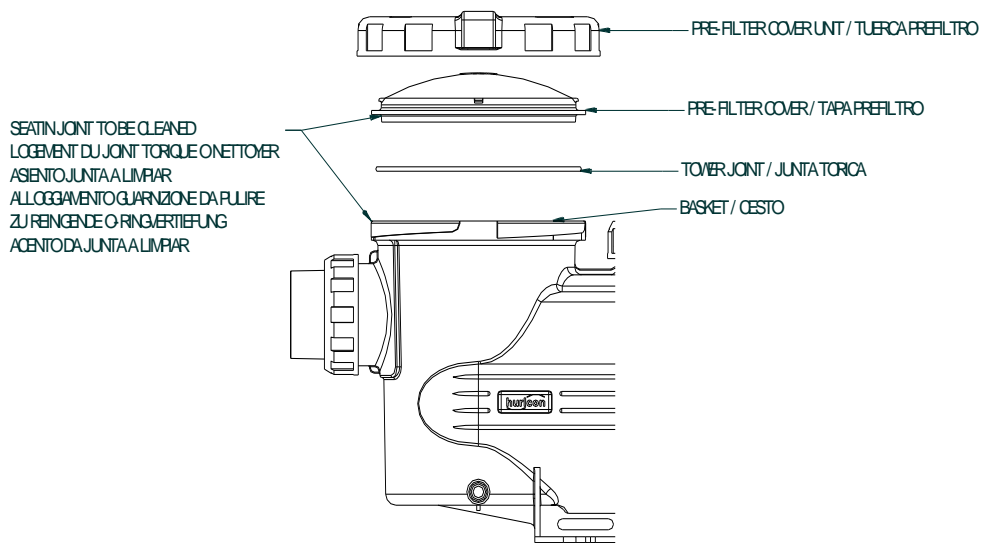
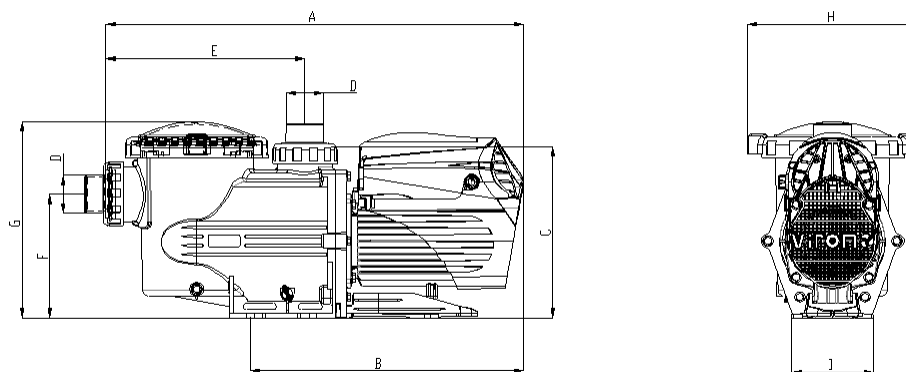


Fig. 5



TECHNICAL CHARACTERISTICS / RENSEIGNEMENTS TECHNIQUES  
 CARACTERISTICAS TECNICAS / DATI TECNICI  
 TECHNISCHE ANGABEN / CARACTERISTICAS TECNICAS



COD.	Cv	A	B	C	E	F	G	H	I	D
56550	1 II	622	480	300	346	215	345	300	120	50
56551	1 II	720	480	300	346	215	345	300	120	50
56552	2 II	720	480	300	346	215	345	300	120	50

## INSTALLAZIONE

Questo dispositivo deve essere installato da un tecnico qualificato specializzato in piscine. Quando installate l'apparecchio, assicuratevi che tutte le parti siano installate nella zona oretta secondo le regole dei collegamenti elettrici. In particolare, fare riferimento alle norme AS / NZS 3000 (Australia) e EN 60364 (UE).

### A. Pianificare la posizione della pompa in modo che sia:

1. Priva di allagamenti, evitando pozzetti, buche in giardino, canali di scolo o il fondo di buche di pozzo con scolo.
2. Su una base stabile in modo che:
  - a) La pompa non rimanga sospesa alle proprie tubazioni, causando perdite o rotture con fuoriuscita di acqua.
  - b) Il movimento attraverso le vibrazioni sia impedito.
  - c) Il tubo di collegamento o altre apparecchiature di valore non siano soggetti a sforzi meccanici.
3. Sia accessibile per la manutenzione e facilmente rimovibile per l'assistenza.
4. Con spazio di respirazione. La pompa non deve essere installata in uno spazio angusto che ostacoli il flusso dell'aria di raffreddamento proveniente dalla ventola. Il surriscaldamento dovuto a mancato raffreddamento annulla la garanzia.
5. In modo che la presa di alimentazione sia raggiungibile senza prolunghe o adattatori che possono essere soggetti a corrosione, cortocircuiti e così via.
6. A un'altezza minima di aspirazione dell'acqua dalla superficie della piscina all'ingresso della pompa.

### B. Per migliori prestazioni della pompa la lunghezza della tubazione di aspirazione deve essere quanto più corta possibile con un numero minimo di pieghe ed è necessario usare una tubazione di aspirazione e

ritorno in PVC ad alta pressione da 50 mm. Tutti i dispositivi quali filtri, riscaldatori, cloratori devono avere collegamenti minimo da 50 mm.

- C. Assicurare i giunti forniti durante il fissaggio della tubazione, usare un fluido di adescamento approvato e cemento solubile come pratica normale, rivestire entrambe le superfici. **NOTA:** Indossare sempre guanti protettivi quando si tratta e utilizza colla e fluido di adescamento. Assicurarsi che l'adesivo in eccesso non finisca nel giunto influenzando la tenuta o le capacità di rimozione. Lasciare asciugare per 24 ore prima di iniziare ad utilizzare la pompa. Non utilizzare colla "verde" sui giunti. Ciò può causare il danneggiamento del materiale ABS utilizzato nella produzione dei giunti.
- D. Installare le valvole di isolamento prima della sezione della pompa e dopo il dispositivo, se la pompa è sotto il livello dell'acqua della piscina.
- E. Per pompe poste a 500 mm sul livello dell'acqua, solitamente è necessaria una valvola di fondo nella piscina o una valvola di controllo nella linea di aspirazione. Le linee di aspirazione devono essere installate al di sotto del livello dell'acqua finché non sono proprio dinanzi alla posizione della pompa e il montante verticale usato per raggiungere l'ingresso della pompa. Le pompe AstralPool sono testate con una testa massima di 25 metri, tuttavia fare riferimento alla piastrina informativa della propria pompa per la pressione reale raggiungibile.
- F. Tutte le pompe funzioneranno in modo più silenzioso e con maggiore efficienza se una lunghezza dritta della tubazione da 450 mm è stata posata orizzontalmente dinanzi alla pompa.
- G. La temperatura dell'acqua non deve superare 45 gradi.
- H. Le pompe devono essere
  - dotate di trasformatore di isolamento, o
  - dotate di un dispositivo di corrente residua (RCD) con corrente d'esercizio residua nominale non superiore a 30 mA.

**Avvertenza: Le pompe Viron includono PCB e microchip. È necessario spegnere completamente la pompa per 10 secondi prima di riaccenderla. Alcuni marchi sui cloratori possono spurgare una piccola quantità di energia dalla pompa Viron anche quando è selezionata la modalità pompa spenta. Se ciò si verifica, la pompa Viron non può essere ripristinata correttamente e non può avviarsi finché non si scollega completamente l'alimentazione. In alcuni casi, il produttore di questi cloratori può essere in grado di rimuovere o cambiare un condensatore che scollegherà completamente l'alimentazione dalla pompa quando spenta. In caso contrario, può essere necessario acquistare un cloratore idoneo. I cloratori Astral Pool scollegano completamente l'alimentazione della pompa quando è selezionata la modalità pompa spenta.**

## UTILIZZO

---

1. Adescare la pompa se la vaschetta per capelli e sfilacci è asciutta procedendo come segue – Chiudere la valvola sulla linea di aspirazione, se presente. Rimuovere il coperchio della vaschetta per sfilacci. Riempire la vaschetta per sfilacci e la camera di acqua. Sostituire e assicurare il coperchio della vaschetta per sfilacci e sigillare.
2. Aprire tutte le valvole, consentendo all'acqua di fluire attraverso la pompa.
3. Accendere la pompa, il motore parte.
4. Se non si stabilisce alcun flusso d'acqua entro 30 secondi, spegnere e adescare nuovamente la pompa. Se la pompa non adesca dopo 3 tentativi, controllare la tenuta di tutte le tubazioni di aspirazione. Se è soddisfacente, è necessaria una valvola di controllo o di fondo per mantenere l'acqua per l'adescamento.
5. Se all'avvio risulta sempre complicato ottenere il flusso d'acqua attraverso la pompa dopo la pulizia della vaschetta per sfilacci, si raccomanda una verifica dell'impianto per stabilirne la causa e correggerla. Es. Controllare valvola, perdite di aria, tenuta difettosa, coperchio della vaschetta per sfilacci rotto ecc.
6. La pompa Viron eVo ha tre impostazioni di velocità pre-impostate di fabbrica – Bassa, Media e Alta. Alta deve essere utilizzata quando si effettua il lavaggio in controflusso, lo svuotamento manuale della piscina o il funzionamento di getti di spa o giochi d'acqua come le cascate. La velocità media può essere usata per l'azione moderata di getti di spa, quando l'aspirazione è collegata al separatore o al filtraggio della piscina. La velocità bassa è raccomandata per il filtraggio quotidiano della piscina quando non è collegato un aspiratore.
7. La pompa Viron eVo si avvia automaticamente a velocità alta per i primi 5 minuti per assistere nell'adescamento e sostanzialmente riempie di acqua la vaschetta per capelli e sfilacci. Dopo 5 minuti la pompa ritorna all'ultima velocità impostata prima dello spegnimento.
8. Durante il funzionamento normale, si raccomanda di utilizzare la pompa a velocità bassa per 12 ore al giorno. Ciò porterà a più bassi costi operativi con il più basso livello di rumore. Se la piscina ha delle aree in cui l'acqua non circola quando la pompa è a bassa velocità, aumentare la velocità.

**Note:** Questo dispositivo non è inteso per essere usato da persone (inclusi bambini) con capacità fisiche, sensoriali o mentali ridotte, o che mancano di esperienza e conoscenza, a meno che non siano soggette a supervisione o istruzione in merito all'uso del dispositivo da parte di una persona responsabile della loro sicurezza.

Assicurarsi che i bambini siano supervisionati affinché non giochino con la pompa.

Per evitare rischi per la sicurezza, se il cavo di alimentazione è danneggiato deve essere sostituito solo da AstralPool, da un suo rappresentante autorizzato o da personale qualificato.

### Ore di funzionamento

A bassa velocità la pompa Viron fa pochissimo rumore e non reca fastidio a voi o ai vostri vicini. In generale, la pompa di filtraggio della piscina funziona per 8 ore al giorno per fornire uno skimming sufficiente (riducendo quindi la quantità di detriti che cade sul fondo della piscina) e consentire al cloratore di fornire cloro sufficiente per disinfettare la piscina.

**Un maggiore risparmio energetico si ha quando si utilizza la pompa per lunghi periodi alla velocità più bassa invece di utilizzarla per brevi periodi a una velocità più alta.**

## SELEZIONE DELLA VELOCITÀ APPROPRIATA

---

Regole generali:

- Il volume totale di acqua nella piscina deve essere cambiato almeno una volta a giorno.
- Se si utilizza per periodi prolungati, è possibile porre l'uscita del cloratore a sale a un livello più basso. Controllare di frequente il livello del cloro per assicurarsi che non ve ne sia troppo o troppo poco nella piscina.
- **Bassa velocità** è la pre-impostazione di fabbrica ed è l'impostazione raccomandata per il livello di flusso di filtraggio quotidiano – sufficiente per cambiare l'acqua almeno una volta al giorno e far circolare l'acqua completamente nella piscina.
- **Media velocità** è generalmente configurata per un livello di flusso per scopi speciali. Ad esempio, un sistema pulente in pavimento richiederà pressioni e livelli di flusso più alti per funzionare e la velocità media può essere impostata per utilizzare un sistema pulente in pavimento. Altri livelli di flusso per funzioni speciali possono includere tra l'altro: funzionamento di getti spa, funzionamento di cascate o giochi d'acqua, funzionamento di un aspiratore per piscina.
- **Alta velocità** è generalmente configurata per il riflusso del filtro della sabbia. Di norma, questa velocità deve essere impostata in modo che l'indicatore sul filtro sia a una pressione tra 70 kPa e 100 kPa, ma ciò dipende dalle dimensioni del filtro, dalle dimensioni e dalla lunghezza della tubazione di riflusso.

In condizioni atmosferiche più calde, o quando la piscina è utilizzata molto, la pompa deve funzionare per 12 ore al giorno o più. Controllare i livelli di cloro e ispezionare visivamente l'acqua per assicurarsi che (a) vi sia cloro adeguato e (b) l'acqua nella piscina appaia chiara e invitante. In caso di dubbi, portare un campione di acqua al proprio rivenditore della piscina per una sua analisi.

Esempi di selezione della velocità durante il funzionamento e l'uso della pompa Viron P280 o P300 eVo:

Funzione	Velocità
Aspirazione piscina o spa	Velocità alta
Funzionamento getti spa	Velocità alta
Funzionamento cascate o giochi d'acqua	Velocità media o alta, a seconda dell'effetto richiesto
Pulizia della piscina con acqua torbida	Fino a 24 ore a velocità alta
Filtraggio generale	Velocità bassa (8 ore in inverno, da 8 a 12 ore in estate)

Alcuni suggerimenti:

La pompa P320 fornirà circa da 15.000 a 18.000 litri per ora ad alta velocità, a seconda della tubazione, delle valvole, delle dimensioni del filtro e altri dispositivi installati sulla piscina. A velocità bassa il livello di flusso pre-impostato di fabbrica è di circa 7.500 litri per ora. **La velocità bassa utilizzerà circa il 10% del consumo di energia** che utilizza la velocità alta. Quindi, funzionando per 8 ore al giorno permetterà a una piscina di 60.000 litri un ricambio completo.

La pompa P600 fornirà circa 36.000 litri per ora a velocità alta, a seconda della tubazione e la velocità bassa pre-impostata di fabbrica a 1.125 RPM fornirà circa 12.000 litri al minuto. È sufficiente per ricambiare una volta al giorno una piscina da 96.000 litri.

Come guida, la velocità bassa dovrebbe ottenere uno skimming visibile della superficie della piscina attraverso il separatore. Se collegato a un cloratore a sale compatibile con AstralPool, il sistema di controllo touchscreen Viron Connect, si raccomanda un periodo di filtraggio di un'ora al giorno almeno a velocità media per raggiungere la piena circolazione e un buon separatore di superficie della piscina. L'equilibrio del ciclo di filtraggio può essere impostato a velocità bassa.

Tuttavia, se l'acqua della piscina sviluppa torbidezza o la superficie della piscina mostra la crescita di alghe può essere necessario aumentare la velocità bassa della pompa per assicurare un'adeguata circolazione dell'acqua e il cloro in tutte le parti della piscina.

È importante controllare i livelli di cloro, pH e altri parametri per assicurare che la qualità dell'acqua sia corretta prima di regolare la velocità della pompa. Si raccomanda di far effettuare questi controlli dal proprio rivenditore o dal servizio tecnico specializzato in piscine.

## **FUNZIONAMENTO DEL PANNELLO DI CONTROLLO – VIRON P320 EVO & P600 EVO**

---

Le pompe Viron P320 e P600 eVo integrano uno schermo LCD retroilluminato con le seguenti funzionalità:

Orologio integrato:

- Programmabile fino a quattro periodi di timer ogni giorno
- I periodi di timer possono essere disattivati e selezionati i periodi 1, 2, 3 o 4
- Diversa velocità (bassa, media, alta) per ciascun periodo di timer
- Visualizza l'RPM attuale del motore e bassa, media e alta velocità possono essere regolate per adattarsi alla propria piscina
- Orologio e periodi di timer possono essere disabilitati se è collegato un orologio esterno
- Può essere programmato tramite controllo remoto o cloratore AstralPool compatibile per il funzionamento a diverse velocità durante diversi momenti del giorno
- Abilita la velocità di adescamento (avvio) per la regolazione e il tempo della velocità di avvio modificabile tra 2 a 120 minuti

Pannello di controllo Viron eVo






## FUNZIONAMENTO DEL PANNELLO DI CONTROLLO – VIRON P320 & P600 EVO (CONTINUAZIONE)




---

Utilizzo del timer integrato per far funzionare la pompa come cloratore AstralPool o unità di dosaggio e-Quilibrium


### Impostazione predefinita di fabbrica

1. I timer integrati sono attivati e controlleranno il tempo di funzionamento della pompa.
2. La connettività a cloratori a sale con conformità AstralPool, dispositivi di controllo dosaggio agenti chimici e-Quilibrium o controlli remoti Viron Connect deve essere spenta.
3. Utilizzare il pulsante  "auto" per accendere o spegnere la pompa. Quando in posizione "on", la pompa resta spenta fino al periodo di timer successivo a meno che non si preme di nuovo manualmente per accendere. Se la pompa è accesa manualmente, essa continuerà a funzionare all'infinito. Se in posizione "Off" (visibile sull'LCD), la pompa resta sempre spenta. Per il funzionamento del timer, assicurarsi di premere il pulsante "auto" in modo che lo schermo LCD mostri "auto".

### Impostazione dell'ora corrente

1. Se collegato a un cloratore a sale con conformità AstralPool o un dispositivo di controllo del dosaggio e-Quilibrium, collegare il cavo dati tra la parte posteriore della pompa e il cloratore nell'unità di dosaggio e-Quilibrium.
2. Collegare e accendere la pompa e il cloratore (o l'unità di dosaggio).
3. Premere MENU (due volte) finché non appare "CLK" e premere ENTER per impostare l'orario. Utilizzare le frecce  su e giù  per impostare l'ora, premere nuovamente ENTER per impostare i minuti e quindi premere nuovamente ENTER per impostare AM o PM.
4. Premere  ENTER per confermare.
5. Lo schermo LCD lampeggia rapidamente per 3 volte per indicare che la nuova impostazione è stata accettata.

### Impostazione della pompa per il funzionamento indipendente da sistema di controllo o cloratore esterno con conformità a AstralPool

1. Premere MENU finché "CONF" non appare sullo schermo LCD.
2. Premere e tenere premuto ENTER per 3 secondi. "TMRS" appare.
3. Premere ENTER.
4. Premere i pulsanti freccia Su o Giù per accendere "TMRS".
5. Premere ENTER per confermare.
6. Premere  "auto" per ritornare al menu principale.

### Modifica delle impostazioni velocità bassa, media e alta


1. Selezionare il pulsante Velocità per regolare, Bassa, Media o Alta. Il rispettivo LED si accende.

2. Modificare la velocità a incrementi di 25 RPM usando le frecce su e giù finché sullo schermo non è visualizzata la velocità desiderata. Rispettivamente “Speed 1”, “Speed 2” o “Speed 3”, lampeggeranno durante la modifica.
3. La nuova velocità sarà automaticamente salvata dopo 2 secondi. Il lampeggio si interrompe per indicare il salvataggio.

### **Impostazione del periodo di timer di filtraggio**

1. Premere MENU per andare all'impostazione PRIM.
2. Il periodo di adescamento è impostato come predefinito a 5 minuti e ad alta velocità. Se la pompa è installata al di sotto del livello dell'acqua, si raccomanda di impostare il PRIM a 2 minuti. Premere ENTER e quindi le frecce su o giù per modificare la velocità di adescamento. Premere ENTER per confermare. Il periodo di adescamento sarà ora visualizzato.
3. Utilizzare le frecce su o giù per modificare il periodo di adescamento. Premere ENTER per confermare.
4. Premere MENU per andare a “impostazione del timer” TMR e premere ENTER per modificare.
5. Timer 1 è l'impostazione di fabbrica per iniziare alle 8.00. Usare le frecce su o giù per modificare. Premere High, Medium o Low per selezionare la velocità della pompa durante il Timer 1. Sullo schermo LCD la velocità bassa è rappresentata da “speed 1”, media da “speed 2” e alta da “speed 3”.
6. Premere ENTER per spostarsi al tempo di arresto o di fine del Timer 1. Usare i tasti freccia su e giù per cambiare la fine del Timer 1.
7. Timer 2 ora apparirà sullo schermo LCD. Ripetere i passi da 4 a 6. Riportati in precedenza.
8. Timer 3 ora appare, ma la pre-impostazione di fabbrica è su spento. Spostando qualsiasi timer alla mezzanotte farà spegnere quel timer. Usare le frecce su e giù per attivare il tempo e ripetere i passi 4 e 5 riportati in precedenza.
9. Timer 4 è anche pre-impostazione di fabbrica è su spento, ma può essere attivato usando le frecce su e giù.
10. Ricordarsi di selezionare la velocità desiderata a cui operare durante ciascun periodo di timer premendo i pulsanti High, Medium o Low mentre si è ancora nel programma Avvio timer.

### **Utilizzo del timer della pompa integrato con un'unità di dosaggio o cloratore non conforme.**

1. Non si raccomanda l'utilizzo di timer per pompa quando un cloratore non conforme o un dosatore chimico è fornito con flusso d'acqua mediante la pompa Viron P320 o P600 eVo.
2. In questo caso, le ore di utilizzo della pompa devono essere controllate mediante l'orologio del cloratore e la pompa è collegata al cloratore. Questa è una misura di sicurezza prevista per la maggior parte dei produttori di cloratori.
3. Tuttavia, è molto importante disattivare i timer della pompa integrati.
4. Premere MENU finché “CONF” non appare sullo schermo LCD.
5. Premere e tenere premuto ENTER per 3 secondi.
6. Premere MENU finché “TMR” non appare.
7. Premere i pulsanti freccia Su o Giù per spegnere “TMR”.
8. Premere ENTER per confermare.
9. Premere  “auto” per ritornare al menu principale.
10. Quando ci si sposta ciclicamente attraverso il pulsante MENU, TMR non appare più.

11. Non sarà più impossibile modificare manualmente la velocità della pompa in diversi momenti della giornata.
12. Tuttavia, se si desidera un periodo in cui la pompa funzioni ad alta velocità, ad esempio per far circolare vigorosamente l'acqua come parte del filtraggio quotidiano, è possibile utilizzare a tal fine l'impostazione PRIMING.




#### **Utilizzo del programma per far circolare l'acqua a un livello di flusso più alto del ciclo di filtraggio quotidiano.**

1. Premere MENU per portarsi all'impostazione PRIM.
2. Il periodo di adescamento è impostato come predefinito a 5 minuti e ad alta velocità. Usare i tasti freccia su e giù per cambiare il periodo di adescamento fino a 120 min. Utilizzare i pulsanti High, Medium o Low per selezionare la velocità a cui si desidera funzioni la pompa durante il periodo di adescamento. In questo caso, si raccomanda di selezionare il pulsante Alta velocità.
3. Premere "auto" per uscire dalla programmazione.

#### **Utilizzo della pompa con controllo esterno con conformità AstralPool**

AstralPool produce cloratori a sale, unità di dosaggio per agenti chimici e-Quilibrium o sistema di controllo touchscreen Viron Connect, che permettono di controllare i tempi operativi di tutte le pompe Viron eVo PLUS, la velocità della pompa funziona durante ciascun periodo.

Per P320 & P600 è necessario abilitare la porta di comunicazione e disabilitare la pompa nel timer integrato.

1. Premere MENU finché CONF (Configura) non appare. Tenere premuto enter per 3 sec.
2. Premere MENU finché "TMR" non appare.
3. Premere i pulsanti freccia Su o Giù per spegnere "TMR". Ricordarsi che si sta usando il controller esterno per impostare le ore di funzionamento della pompa, in modo che il timer della pompa resti spento.
4. Premere ENTER per confermare.
5. Premere MENU finché "SYS" (Sistema) non appare. Premere il pulsanti  su o giù  e passare a "ON". Le pompe Viron P320 or P600 eVo accetteranno le istruzioni di avvio, fine e velocità della pompa dal controller di dosaggio e-Quilibrium e cloratore di controllo con conformità AstralPool o controllo touchscreen Viron Connect.
6. Premere  "auto" per ritornare al menu principale.
7. L'orario sarà ancora visibile sul display LCD, tuttavia la funzione timer nelle impostazioni del menu scompare. Premendo il pulsante MENU ora appare solo PRIM (Programma adescamento), CLK (Impostazione orologio) e CONF (menu Configurazione).
8. Fare riferimento al manuale del cloratore a sale con conformità AstralPool, del dispositivo di controllo dosaggio e-Quilibrium o del controllo touchscreen Viron Connect per dettagli sulla programmazione della velocità della pompa e dei tempi operativi.

## Codici di guasto

Solo per pompe P320 & P600

Codice di guasto (visualizzato sullo schermo)	Significato
HI T	Surriscaldamento
HI A	Sovracorrente
Lo V*	Sottotensione di ingresso
BSUC	Motore bloccato

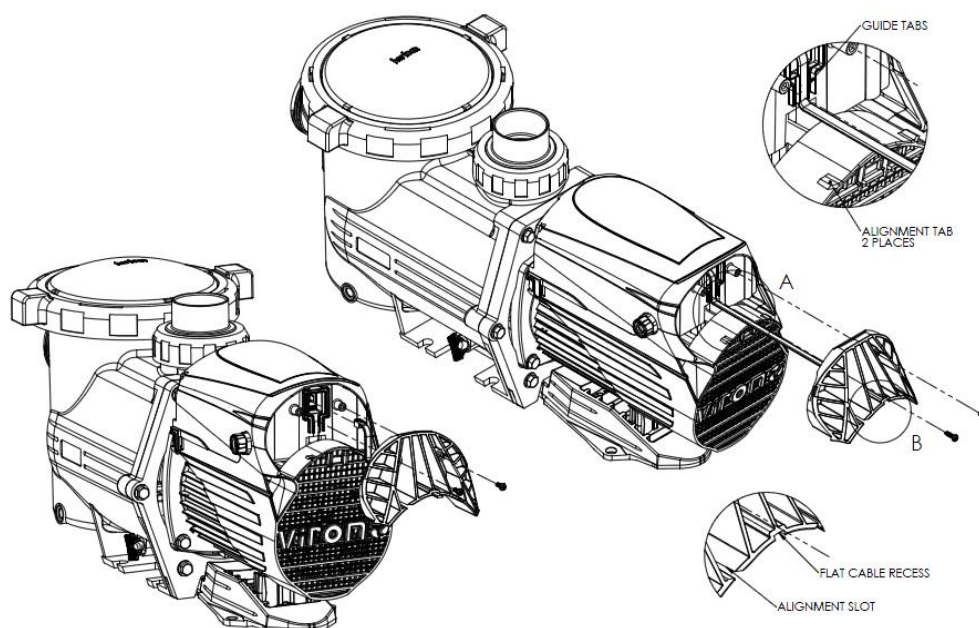
\*Si noti: È normale che il codice di guasto "Lo V" appaia brevemente all'avvio.

### Connettore cavo dati:

Se un cloratore a sale con conformità AstralPool, un cloratore a sale Viron o un touchscreen Connect Touch, è collegato con un cavo di comunicazione AstralPool, la velocità della pompa e le ore operative possono essere controllati con questi dispositivi.

Le pompe Viron P320 o P600 eVo devono avere un proprio timer integrato disattivato se i tempi di funzionamento della pompa e le velocità sono operate mediante cloratore a sale AstralPool compatibile, controller di dosaggio e-Quilíbrio o touchscreen remoto Viron Connect.

Rimuovere le 2 viti a testa phillips dalla parte posteriore della pompa e rimuovere a mano il coperchio della porta dati. Collegare il cavo piatto a 6 fili RJ12 acquistato da AstralPool sul retro della pompa e riassembleare. Per ottenere una tenuta corretta, premere il cavo piatto sotto le linguette guida (vista dettagliata A). Far scorrere nuovamente il coperchio della porta dati allineando le linguette con gli slot e il cavo piatto con la scanalatura (vista dettagliata B).

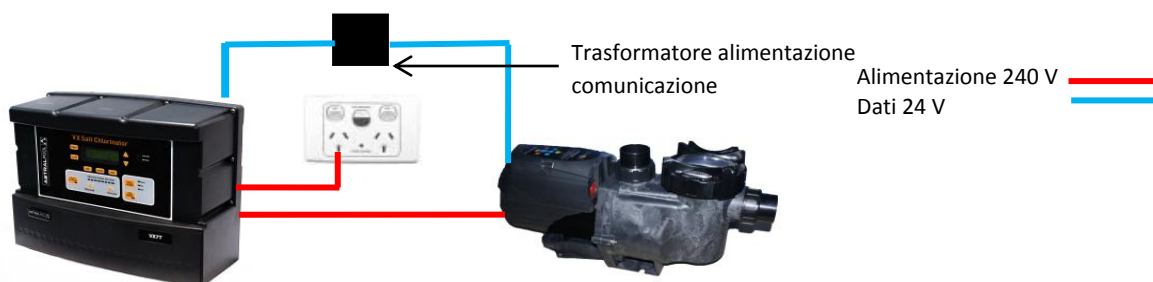


## CONTROLLO REMOTO DELLE VELOCITÀ E FUNZIONI DEL TIMER

- Pompa Viron eVo singola
  - 4 periodi di timer integrati nella pompa
  - 3 impostazioni di velocità programmabili
  - Per ciascun periodo di timer può essere selezionata velocità bassa, media o alta
  - Il periodo di adescamento può essere selezionato da 2 a 120 minuti
  - RPM adescamento può essere selezionato tra 1275 e 2850 RPM

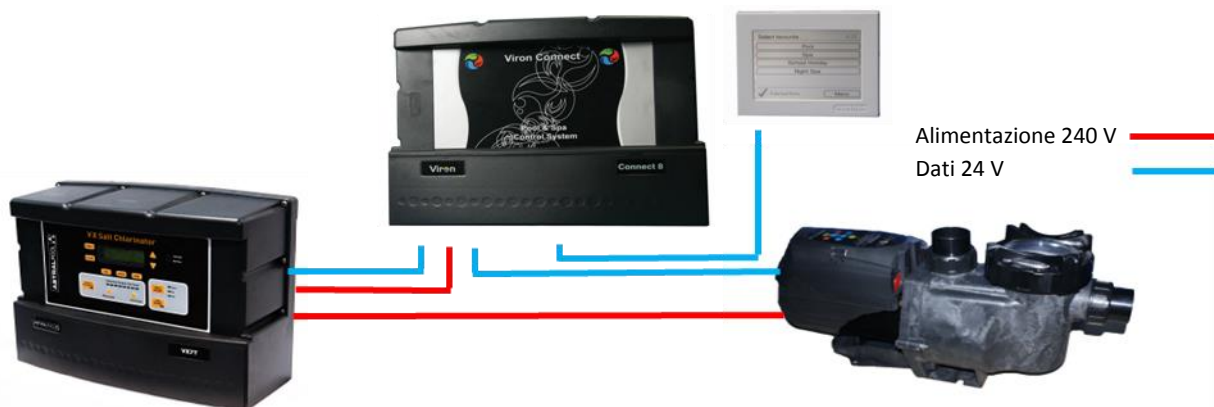


- Tutti i modelli di pompe Viron eVo e cloratore, timer modello VX compatibile o cloratore a sale Viron
  - Configurazione dei periodi di timer nel cloratore
  - Per ciascun periodo di timer può essere selezionata velocità bassa, media o alta
  - Cavo dati per il collegamento della pompa a cloratore attraverso modulo interfaccia
  - eVoPump deve essere impostata con periodi di timer disattivati
  - La velocità della pompa può essere modificata dalla pompa (per cloratori inizio 2012)



- Tutti i modelli di pompe Viron eVo, cloratore modello VX S (senza timer) e sistema di controllo remoto Viron Connect
  - Configurazione periodi di timer nel controller
  - 3 impostazioni di velocità programmabili sulla pompa
  - Selezionare velocità bassa, media o alta per ciascun periodo di timer
  - Cavi dati che collegano pompa / cloratore / controller
  - La pompa eVo deve essere impostata con periodi di timer disattivati

- La velocità della pompa può essere modificata dalla pompa o dal controller



## ESEMPI DI SELEZIONE DELLA VELOCITÀ PER VIRON P600 EVO

Funzione	Velocità
Aspirazione piscina o spa	Velocità media (l'alta velocità può rompere il tubo di aspirazione)
Funzionamento getti spa	Velocità media o alta
Funzionamento cascate o giochi d'acqua	Velocità media o alta, a seconda dell'effetto richiesto
Pulizia della piscina con acqua torbida	Fino a 24 ore a velocità alta
Filtraggio generale	Velocità bassa (8 ore in inverno, da 8 a 12 ore in estate)
Sistema di pulizia a pavimento a pompa singola	Velocità media da 2 a 3 ore al giorno e velocità bassa per 5 o 6 ore al giorno
Pulitore a pressione compatibile	2 o 3 ore al giorno a velocità alta, 5 o 6 ore al giorno per velocità bassa

## UTILIZZO CON ASPIRATORI

Quando si collega un aspiratore alla pompa Viron eVo, è essenziale che l'intero adescamento sia raggiunto sulla pompa prima di collegare il tubo dell'aspiratore. Durante il funzionamento a velocità bassa, la pompa può funzionare solo con adescamento parziale nella camera della vaschetta per capelli e sfilacci.

Utilizzare un aspiratore sulla pompa:

1. Scegliere il pulsante velocità (bassa, media o alta) a cui la pompa funzionerà quando l'aspiratore è collegato.
2. Consentire alla pompa di funzionare per un minimo di 2 minuti affinché possa raggiungere il pieno adescamento.
3. Collegare la piastra e il tubo dell'aspiratore alla ventosa a parete / separatore solo dopo che tutta l'aria sia stata spurgata dalla parte alta della vaschetta per capelli e sfilacci della pompa Viron.

4. Regolare la velocità (con i pulsanti per aumentare e diminuire) alla quale il pulitore funzionerà in tutte le aree della piscina. La velocità media impostata di fabbrica farà solitamente funzionare tutti i tipi di aspiratore nella maggior parte delle piscine. Se si utilizza l'impostazione della velocità bassa, è solitamente necessario aumentarla per assicurare che l'aspiratore funzioni correttamente.
5. Quando il pulitore non è più necessario, scollegare e rimuovere la piastra del pulitore / tubo dall'impianto. Selezionare la velocità di filtraggio più bassa che mantiene la piscina pulita.
6. Se si sostituisce o seleziona un nuovo pulitore, AstralPool raccomanda il pulitore robot Aquatron che funziona indipendentemente dalla pompa di filtraggio e consente alla pompa di funzionare a una velocità che offre il massimo risparmio energetico (e di costi).

## UTILIZZO CON RISCALDATORI A GAS ASTRALPOOL

I riscaldatori a gas (e le pompe di calore elettriche) solitamente fanno affidamento su un interruttore a pressione d'acqua per attivare il circuito di controllo del riscaldatore. Quando una pompa a velocità variabile funziona a velocità bassa, la pressione dell'acqua prodotta generalmente è insufficiente ad attivare l'interruttore a pressione e il circuito di controllo nel riscaldatore.

Se si utilizza un riscaldatore a gas AstralPool compatibile è possibile aumentare automaticamente la velocità della pompa Viron eVo per assicurare che l'interruttore a pressione d'acqua sia attivato e il riscaldatore ottenga abbastanza flusso d'acqua per funzionare correttamente.

Un RJ12 (cavo piatto a 6 fili) cablato in modo specifico e ottenuto da AstralPool collegherà la pompa al riscaldatore. Fare riferimento al manuale di istruzioni del riscaldatore per dettagli sul collegamento del cavo dati.



Viron Pump quando collegata a riscaldatore Viron o altro riscaldatore AstralPool compatibile mediante cavo RJ 12	
Stato riscaldatore Viron	Risposta pompa Viron
Quando il riscaldatore è spento	Funziona alla velocità predefinita.
Quando acceso, ma non si illumina	Funziona a un minimo della velocità media. L'utente può utilizzare i pulsanti per selezionare solo la velocità media o alta (il pulsante della velocità bassa non ha effetto). Il "periodo di avvio" è cancellato.
Quando la fiamma inizia ad accendersi	Funziona ad alta velocità. L'utente non può modificare la velocità della pompa.

Quando la fiamma è persa	Funziona alla velocità predefinita o alla velocità media se il riscaldatore è acceso.
--------------------------	---

Viron Pump quando collegata a riscaldatore Viron o altro riscaldatore AstraPool compatibile mediante Viron Connect	
Stato riscaldatore Viron	Risposta pompa Viron
Quando il riscaldatore è spento	Funziona alla velocità manuale dell'utente o alla velocità predefinita scelta quando utilizzata con timer.
Quando acceso, ma non si illumina	Le modifiche alla velocità più alta che è configurata dall'utente nella configurazione dell'installazione (la velocità "Riscaldatore On"); o, la velocità del timer corrente. L'utente non può modificare la velocità bassa.
Quando la fiamma inizia ad accendersi	Funziona ad alta velocità. L'utente non può modificare la velocità della pompa.
Quando la fiamma è persa	Funziona alla velocità manuale dell'utente o alla velocità predefinita scelta quando utilizzata con timer.

## MANUTENZIONE

**Programmazione della manutenzione: Il vostro nuovo prodotto incorpora parti mobili e resiste ad acqua ad alta velocità contenente agenti chimici. Alcune di queste parti si usurano nel corso normale dell'utilizzo e richiedono controlli regolari e manutenzione. Eseguendo questi controlli e manutenzione si identificheranno le parti che sono usurate e che richiedono riparazione / sostituzione prima di un ulteriore serio danneggiamento. Un po' di cura e attenzione regolare ai dispositivi della piscina aiuterà a prolungarne la durata e ad ottenere prestazioni senza problemi.**

Tempistica	Controllo di manutenzione	Intervento assistenza (se necessario)
Settimanalmente o prima	Controllare e svuotare la vaschetta per capelli e sfilacci	Rimuovere foglie e detriti
Trimestralmente	Controllare l'o-ring del coperchio e gli o-ring di entrata / uscita per eventuali perdite	Isolare la pompa, spegnere l'alimentazione, pulire e ingrassare gli o-ring o sostituirli, se necessario
Trimestralmente	Controllare le aree circostanti per la presenza di foglie, detriti e allagamenti	Rimuovere i detriti e rimediare in presenza di allagamenti
Trimestralmente	Controllare perdite dalla parte sottostante della pompa	Chiamare il servizio tecnico, riparare o sostituire la tenuta meccanica e i cuscinetti del motore, se necessario

**Nota importante:** La manutenzione regolare è importante per assicurare lunga durata e prestazioni senza problemi dei dispositivi della piscina. Se non si è in grado di effettuare la manutenzione da soli, contattare l'ufficio Astral Pool locale che fisserà un appuntamento con un tecnico qualificato dell'assistenza per eseguire la manutenzione.





## CERTIFICATO DI GARANZIA

### 1. CONDIZIONI GENERALI

- 1.1. D'accordo con queste disposizioni, il venditore garantisce che il prodotto Astral ("il Prodotto") al momento della consegna è assolutamente conforme ai requisiti esposti.
- 1.2. Il Periodo di Garanzia previsto per il prodotto è di due (2) anni a partire dal momento della consegna all'acquirente.
- 1.3. Nel caso in cui si rilevi un difetto di conformità del Prodotto e l'acquirente lo comunichi al venditore nel Periodo di Garanzia, il venditore dovrà riparare o sostituire il Prodotto facendosi carico delle spese, nel luogo ritenuto opportuno, salvo il caso in cui sia impossibile o spropositato.
- 1.4. Nel caso in cui il Prodotto non possa essere riparato o sostituito, l'acquirente potrà chiedere una riduzione proporzionale nel prezzo; se la mancanza di conformità è abbastanza considerevole, potrà chiedere la risoluzione del contratto di vendita.
- 1.5. La sostituzione o riparazione di alcune parti in virtù di questa garanzia, non darà luogo a un prolungamento del periodo di vigenza della stessa rispetto al Prodotto originale, ma le parti in questione avranno garanzia propria.
- 1.6. Affinché la presente garanzia sia valida, l'acquirente dovrà dimostrare la data d'acquisto nonché consegna del Prodotto.
- 1.7. Trascorsi sei mesi dalla consegna del Prodotto all'acquirente, nel caso in cui quest'ultimo allegi difetto di conformità del medesimo, dovrà dimostrare l'origine e l'esistenza del difetto in questione.
- 1.8. Il presente Certificato di Garanzia non costituisce limitazione o danno dei diritti che spettano ai consumatori, in virtù delle norme nazionali di carattere imperativo.

### 2. CONDIZIONI PARTICOLARI

- 2.1. La presente Garanzia copre i prodotti della famiglia "Pompe di filtraggio" di Astral Pool.
- 2.2. Il presente Certificato di Garanzia sarà valido unicamente nei paesi dell'Unione Europea.
- 2.3. Perché la presente garanzia sia valida, l'acquirente dovrà seguire strettamente le istruzioni del Fabbricante, incluse nella documentazione che accompagna il Prodotto, sempre che siano applicabili alla gamma e modello del medesimo.
- 2.4. Nel caso in cui si stabilisca un calendario per la sostituzione, manutenzione e pulizia di determinati pezzi ed elementi del Prodotto, la garanzia sarà valida solo se detto calendario sarà stato osservato in maniera corretta.

### 3. LIMITAZIONI

- 3.1. La presente garanzia sarà valida esclusivamente per le vendite realizzate ai consumatori, intendendo con il termine consumatore colui che acquista il Prodotto per fini che non rientrano nella sfera delle sue attività professionali.
- 3.2. La garanzia non copre in alcun modo l'usura normale, dovuta all'utilizzazione del prodotto. Per quanto riguarda pezzi, elementi e/o materiali deperibili o consumabili tipo chiusure meccaniche, cuscinetti, componenti a tenuta stagna, ci si atterrà a quanto previsto nella documentazione che accompagna il Prodotto, se del caso.
- 3.3. Restano esclusi dalla presente garanzia gli elementi accessori al prodotto "Pompa di filtraggio" che non vengono contemplati in maniera esplicita, come quadri di manovra, trasformatori, attrezzature di protezione, ecc.

3.4. Sono coperti dalla garanzia i difetti del prodotto causati unica ed esclusivamente da materiali difettosi e/o dalla manodopera. La garanzia non copre i casi in cui il Prodotto: (i) sia stato oggetto di un trattamento non corretto; (ii) sia stato installato, riparato, mantenuto o manipolato da una persona non autorizzata o (iii) sia stato riparato o mantenuto con pezzi non originali. Restano esclusi dalla presente garanzia i danni causati da usi accidentali e non adeguati come:

- Funzionamento della pompa a secco
- Dosaggio inadeguato dei prodotti chimici nella piscina.
- Danni provocati dall'acqua proveniente da elementi esterni alle caratteristiche di pompaggio.
- Ventilazione non idonea.
- Uso in applicazioni diverse dal filtraggio dell'acqua nelle piscine.

3.5. Nel caso in cui la mancanza di conformità del Prodotto sia una conseguenza dell'installazione o dell'avviamento non corretto, la presente garanzia varrà solo se detta installazione o avviamento sono previsti nel contratto di compra-vendita del Prodotto e sono stati effettuati dal venditore o sotto la sua responsabilità.



Viron P320 eVo  
Viron P600 eVo  
Pool- und Spa-Pumpen



## INSTALLATIONS- UND BEDIENUNGSANLEITUNGEN



Viron P320 eVo



Viron P600 eVo

#### Konformitätserklärung

- Erklärt unter seiner eigenen Verantwortung, dass alle Pumpen: Viron eVo Poolpumpe, Einzelphase, hergestellt seit 12.01.01, unabhängig von der Seriennummer, übereinstimmen mit
  - 98 / 37 / EC Maschinenrichtlinie Sicherheitsvorschriften
  - 2004 / 108 / EC Richtlinie über elektromagnetische Verträglichkeit
  - 2006 / 95 / EC Niederspannungsrichtlinie
  - Richtlinie 2000 / 14 / EU Umgebungslärmrichtlinie
  - EN 60034 / 1 Drehende elektrische Maschinen
  - EN 610000 / 4 / 2 Immunität gegen elektromagnetische Felder
  - EN 60446 / 1 Haushaltsgeräte
  - EN 60335-2-41 / A1:2004

#### **ASTRALPOOL VIRON eVo PUMPENSPEZIFIKATIONEN - PRODUKT- UND ZUBEHÖRBESCHREIBUNG**

Das Pumpengehäuse besteht aus thermoplastischen Kunststoffen der neuesten Generation. Die Pumpen sind selbstansaugend mit mehreren Drehzahlen bei einer Leistung von bis zu 2 PS und sind mit Einphasenmotoren ausgestattet. In das Gehäuse der Pumpe ist ein Vorfilter integriert, der verhindert, dass Fremdkörper in die Pumpe gelangen können, was zu einer Beschädigung der hydraulischen Pumpenkomponenten führen kann.

Die Motoren in den Motorpumpeneinheit haben die Schutzart IP-X5 und wurden so angepasst, dass sie hohen Lufttemperaturen und hoher Luftfeuchtigkeit standhalten.



**Peter Wallace**

Geschäftsführer, ASTRALPOOL AUSTRALIEN



ES KÖNNEN SCHWERE ODER TÖDLICHE VERLETZUNGEN AUFTRETEN, WENN DIESES PRODUKT NICHT NACH MASSGABEN DIESER ANLEITUNGEN UND DER RELEVANTEN AUSTRALISCHEN NORMEN VERWENDET, BETRIEBEN ODER INSTALLIERT WIRD.

**WARNING**



DIESES GERÄT IST NICHT FÜR DIE VERWENDUNG DURCH KLEINE KINDER ODER GEBRECHLICHE PERSONEN GEDACHT. BITTE STELLEN SIE SICHER, DASS KLEINE KINDER BEAUF SICHTIGT WERDEN UND NICHT MIT DEM GERÄT SPIELEN.

**WARNING**



DIESE PUMPE ERZEIGT EINEN HOHEN DRUCK - HALTEN SIE WÄHREND DES STARTS VON DER PUMPE UND DER FILTERUNG ABSTAND.

**WARNING**



DIE PUMPE DARF NUR VON QUALIFIZIERTEM POOL-FACHPERSONAL INSTALLIERT WERDEN. INSTALLATEURE; BETREIBER UND EIGENTÜMER MÜSSEN DIESE ANLEITUNG VOR DEM GEBRAUCH LESEN.

**WARNING**



DIE PUMPE STARTET NACH BETRIEB AN DER BELASTUNGSGRENZE AUTOMATISCH NEU UNTERBRECHEN SIE DIE STROMVERSORGUNG ZU DER PUMPE VOR DER DURCHFÜHRUNG VON WARTUNGS- ODER REPARATURARBEITEN.

**WARNING**



EINE FALSCH EINSTELLUNG DER GESCHWINDIGKEITEN AN DIESER PUMPE KANN ZU EINER NEGATIVEN FILTRATION ODER BETRIEB DES SWIMMINGPOOL ODER SPA FÜHREN. STELLEN SIE SICHER, DASS DIE PUMPE VON EINEM AUTORISIERTEN ASTRALPOOL-HÄNDLER KORREKT INSTALLIERT; EINGESTELLT UND IN BETRIEB GENOMMEN WURDE.

## ALLGEMEIN

---

Die Viron eVo Poolpumpe ist ein einzigartiger drehzahlvariabler Permanentmagnet- Gleichstrommotor, kombiniert mit einer energieeffizienten Pumpen-Nasspartie. Bei korrekter Installation und Auslotung wird die Viron eVo die Betriebskosten signifikant senken, Geräuschpegel mindern und Treibhausgas-Emissionen reduzieren.

Die Palette der Viron EVO Poolpumpen verfügt über eine Vielzahl von Modellen, die mit werksseitig eingestellten Drehzahlen sehr ähnliche Fördermengen bieten:

Modell	Hoch	Mittel	Niedrig
Viron P320 eVo	320 LPM	206 LPM	128 LPM
Viron P600 eVo	600 LPM	426 LPM	200 LPM

(Die Fördermengen basieren auf der maximalen Drehzahl bei einer gesamten dynamischen Förderhöhe von 8 m).

Jede Geschwindigkeit kann einfach an die Erfordernisse Ihrer Poolgröße, Filter, Leitungen und Anwendung angepasst werden. Die Pumpe der Viron eVo Serie muss von durch AstraPool geschultes Pool-Fachpersonal installiert werden, um sicherzustellen, dass sie für die richtige Anwendung ausgewählt sowie korrekt installiert und an Ihren Pool angepasst wurde, und dass ihre Funktionsweise Ihnen vollständig erklärt wurde.

## FUNKTIONEN

---

- Dauerbetrieb Nennmotor
- Präzisionsverstärktes gegossenes Hochdruck-Flügelrad gibt zusätzliche Leistung
- In einem Stück gegossenes Gehäuse für zusätzliche Festigkeit und längere Lebensdauer
- Ein schneller Entlüftungsdiffusor korrigiert schnell den Verlust des Wasserdurchflusses
- Schnelle und einfache Demontage zur Wartung
- Großer Korb mit hohem Fassungsvermögen mit einfach abzunehmender Rampe auf dem Deckel
- Möglichkeit zur Anpassung der werkseitig voreingestellten Geschwindigkeiten für optimalen Wasserdurchfluss und maximale Energieeinsparung für Ihren Pool und dessen Ausstattung
- Doppelt isolierter Wasserkreislauf für maximalen elektrischen Schutz

Abb. 1

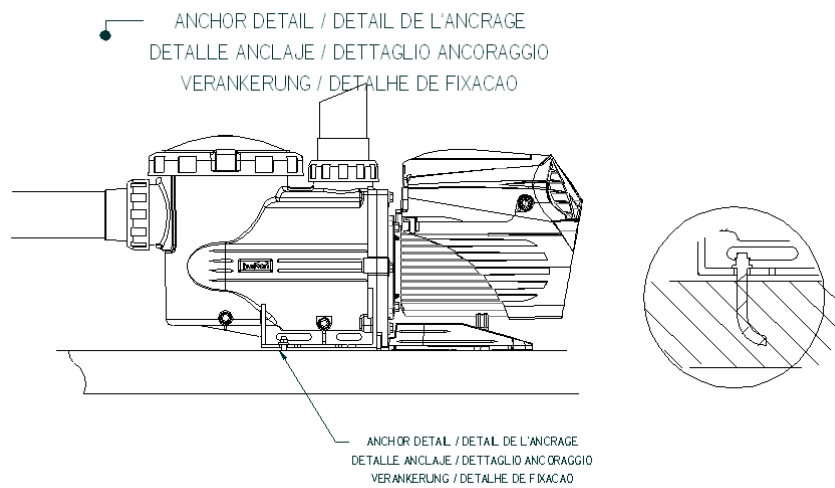


Abb. 2

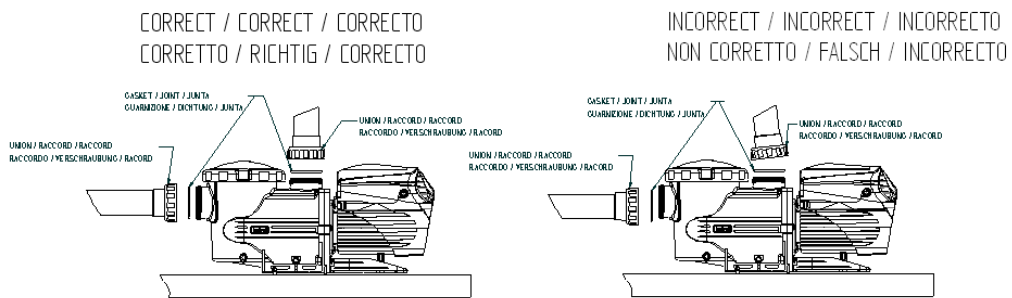


Abb. 3

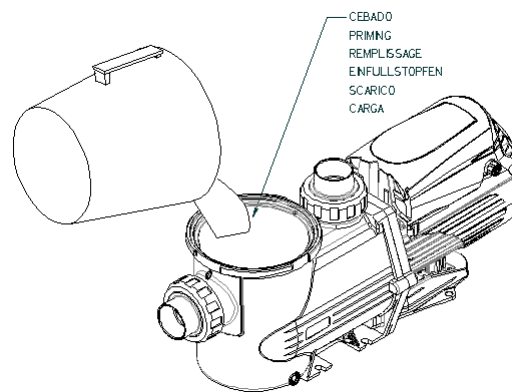




Abb. 4

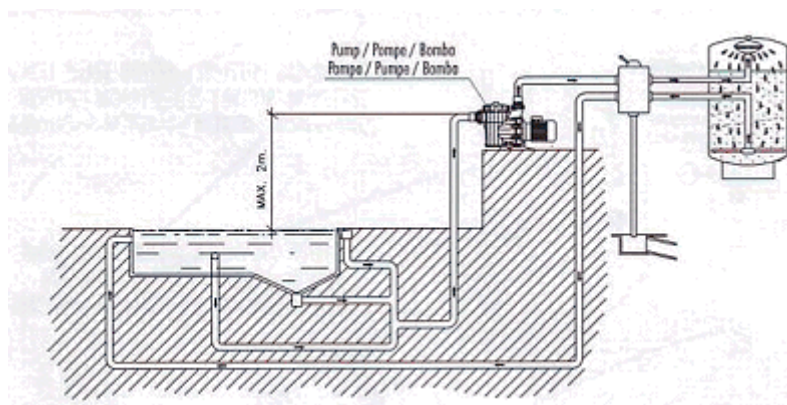
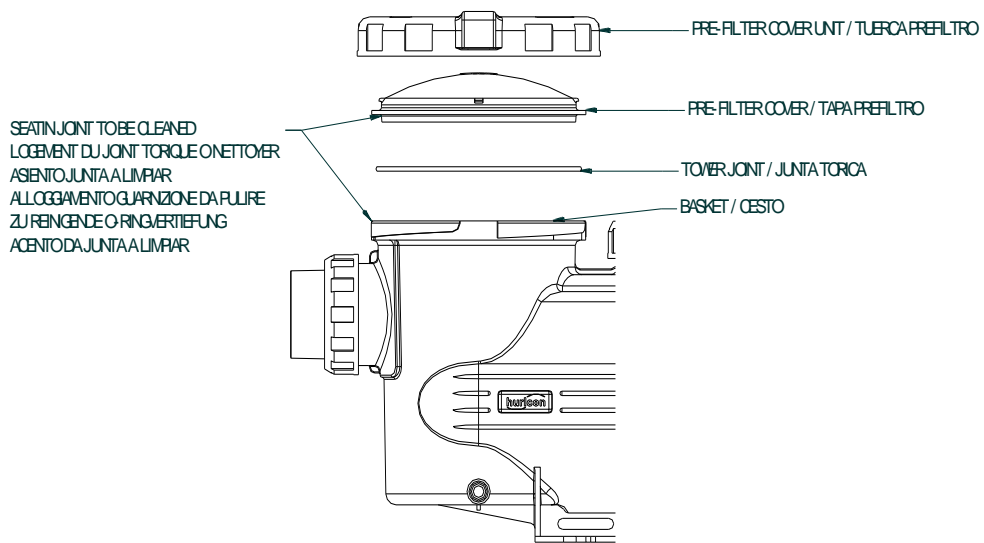


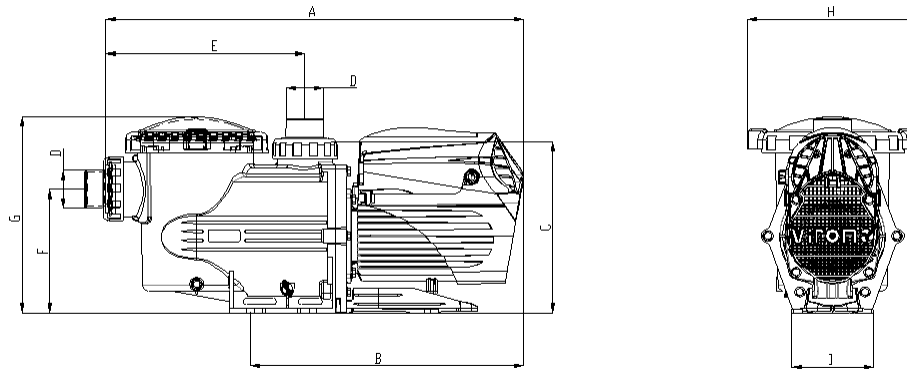
Abb. 5



TECHNICAL CHARACTERISTICS / RENSEIGNEMENTS TECHNIQUES

CARACTERISTICAS TECNICAS / DATI TECNICI

TECHNISCHE ANGABEN / CARACTERISTICAS TECNICAS



COD.	Cv	A	B	C	E	F	G	H	I	D
56550	1 II	622	480	300	346	215	345	300	120	50
56551	1 II	720	480	300	346	215	345	300	120	50
56552	2 II	720	480	300	346	215	345	300	120	50

## INSTALLATION

Dieses Gerät muss von einem ausgebildeten professionellen Pool-Service-Techniker installiert werden. Sorgen Sie bei der Installation des Geräts dafür, dass alle Komponenten in der richtigen Zone in Übereinstimmung mit den Verdrahtungsvorschriften installiert wurden. Beziehen Sie sich insbesondere auf AS / NZS 3000 (Australien) und EN 60364 (EU).

### A. Planen Sie die Position der Pumpe so, dass sie:

1. Frei von Überflutungen ist, wie in einem Sumpf, einer Gartensenke, einem Graben oder auf der Unterseite der Bank mit Ablauf.
2. Auf einer stabilen Basis, so dass:
  - a) Die Pumpe nicht von ihren Beschlägen ausgehängt werden kann, wodurch ein Leck oder ein Verlust von Wasser entstehen kann.
  - b) Die Bewegung durch Vibration eingeschränkt ist.
  - c) Keine Belastung auf verbundene Leitungen oder andere teure Ausstattung ausgeübt wird
3. Sie leicht zugänglich für Wartungen ist und für Services einfach entfernt werden kann.
4. Luftzirkulation. Die Pumpe nicht überfüllt ist, da dies die kühlende Luftzirkulation des Ventilators verhindert. Eine Überhitzung aufgrund mangelnder Kühlung lässt die Garantie erlöschen.
5. In der Nähe einer Steckdose, ohne dass Verlängerungskabel / Stecker einer Korrosion oder einem Kurzschluss ausgesetzt sind, etc.
6. In einer Höhe von mindestens der Saughöhe von Wasser von der Pooloberfläche zum Pumpeneinlass.

### B. Um die beste Pumpenleistung zu erzielen, halten Sie die Länge des Ansaugrohrs so kurz wie möglich mit so wenig Biegungen wie möglich und verwenden 50mm Hochdruck-PVC-Saug- und Rücklaufleitung. Alle

Anlagen, wie z.B. Filter, Heizungen, Chlorinatoren, müssen einen Mindestdurchmesser von 50mm-Anschlüssen haben.

- C. Sichern Sie als normale Praxis die im Lieferumfang enthaltenen Zylinder Anschlüsse in den Anschlussleitungen, mit zugelassenen Grundierungsflüssigkeiten und Klebern, die beide Oberflächen bedecken. **HINWEIS:** Tragen Sie immer Schutzhandschuhe beim Umgang mit und der Verwendung von Klebstoffen und Grundierungsflüssigkeiten. Achten Sie darauf dass kein Klebstoff in die Verbindung läuft und dadurch die Dichtungs- oder Entfernungsfähigkeit beeinflusst. Lassen Sie es 24 Stunden trocknen bevor Sie die Pumpe starten. Verwenden Sie keinen „grünen“ Klebstoff auf den Zylinderverbindungen. Diese können das ABS-Material schädigen, das für die Herstellung der Verbindung verwendet wird.
- D. Installieren Sie Absperrventile vor dem Pumpenabschnitt und nach der Ausstattung, wenn die Pumpe sich unter dem Wasserspiegel des Pools befindet.
- E. Pumpenanlagen 500 mm über dem Wasserspiegel benötigen in der Regel ein Fußventil am Pool oder ein Rückschlagventil in der Saugleitung. Saugleitungen müssen bis direkt vor der Pumpe unterhalb des Wasserspiegels installiert werden und Steigleitungen müssen verwendet werden um den Pumpeneinlass zu erreichen. AstralPool Pumpen sind mit einer maximalen Förderhöhe von 25 Metern ausgelegt, jedoch sollten Sie sich für den tatsächlich erreichbaren Druck auf das Typenschild Ihrer Pumpe beziehen.
- F. Alle Pumpen werden leiser und effizienter arbeiten, wenn eine gerade Rohrleitung mit einer Länge von 450 mm horizontal an der Vorderseite der Pumpe angeschlossen ist.
- G. Die Wassertemperatur darf 45 Grad nicht überschreiten.
- H. Pumpen muss entweder
  - von einem Trenntransformator versorgt, oder
  - durch eine Fehlerstrom-Schutzeinrichtung (RCD) mit einem Bemessungsfehlerstrom von maximal 30 mA versorgt werden.

**Warnung: Viron Pumpen enthalten PCB's (Leiterplatten) und Mikrochips. Es ist notwendig, die Stromversorgung vollständig für 10 Sekunden auszuschalten, bevor die Pumpe wieder eingeschaltet wird. Einige Chlorinatoren-Marken können eine kleine Menge Strom in die Viron Pumpe geben, auch wenn der Pumpe-Aus-Modus gewählt ist. Wenn dies eintritt, kann sich die Viron Pumpe möglicherweise nicht korrekt zurücksetzen und kann nicht gestartet werden, bis die Stromversorgung vollständig unterbrochen wird. In einigen Fällen kann der Hersteller dieser Chlorinatoren einen Kondensator, der die Stromzufuhr zur Pumpe komplett unterbricht wenn die Pumpe ausgeschaltet wird, entfernen oder zu ändern. Sollte dies nicht möglich sein, wird der Erwerb eines geeigneten Chlorinators notwendig sein. Astral Pool Chlorinatoren trennen die Stromversorgung zu der Pumpe vollständig, wenn der Pumpe-Aus-Modus ausgewählt ist.**

## BEDIENUNG

---

1. Vorpumpen der Pumpe, wenn der Haar- und Flusenkorb trocken ist – Schließen Sie das Ventil an der Ansaugleitung, wenn vorhanden. Entfernen Sie den Deckel des Flusenkorbs. Füllen Sie den Flusenkorb und die Kammer mit Wasser. Setzen Sie den Flusenkorbdeckel und die Dichtung wieder ein und sichern sie.
2. Öffnen Sie alle Ventile und ermöglichen dem Wasser durch die Pumpe zu laufen.
3. Schalten Sie die Stromversorgung zu der Pumpe ein und starten den Motor.
4. Wenn sich der Wasserfluss nicht innerhalb von eineinhalb Minuten einstellt, schalten Sie die Pumpe wieder aus und pumpen erneut vor. Wenn die Pumpe nicht innerhalb von 3 Versuchen ansaugt, prüfen Sie

alle Schlauchanschlüsse auf Dichtigkeit. Wenn diese zufriedenstellend sind, ist ein Rückschlagventil oder Fußventil erforderlich, um Wasser für das Vorpumpen zu halten.

5. Wenn es nach der Reinigung des Flusenkorbs immer mühsam ist, beim Start einen Wasserdurchfluss durch die Pumpe zu erhalten, wird eine Überprüfung des Systems empfohlen, um die Ursache hierfür zu finden und zu beheben. Z. B. Rückschlagventil, Undichtigkeiten, defekte Dichtung, gerissener Flusenkorbdeckel, etc.
6. Die Viron eVo verfügt über 3 werkseitig voreingestellte Geschwindigkeiten – Niedrig, Mittel und Hoch. Die hohe Geschwindigkeit sollte bei Rückspülung, manuellem Absaugen des Pools oder zum Betrieb der Spa-Jets oder einiger Wasserfunktionen wie Wasserfälle verwendet werden. Die mittlere Geschwindigkeit kann für sanfte Spa-Jet-Funktionen verwendet werden, wenn der Saugreiniger mit dem Skimmer oder dem Filter des Pools verbunden ist. Die niedrige Geschwindigkeit wird empfohlen für die tägliche Filtration Ihres Pools wenn kein Reiniger angeschlossen ist.
7. Die Viron eVo startet für die ersten 5 Minuten automatisch in Hoch zur Unterstützung der Ansaugung und um den Haar- und Flusenkorb mit Wasser zu füllen. Nach 5 Minuten wird die Pumpe wieder auf die letzte Geschwindigkeit zurückgehen, die vor dem Ausschalten eingestellt war.
8. Während des normalen Betriebs wird empfohlen, die Pumpe für 12 Stunden pro Tag auf Niedrig zu betreiben. Dies erzielt die niedrigsten Betriebskosten mit dem geringsten Geräuschpegel. Sollte es in Ihrem Pool einen Bereich geben, in dem das Wasser nicht umgewälzt wird wenn die Pumpe auf Niedrig betrieben wird, erhöhen Sie die Geschwindigkeitseinstellung.

**Hinweise:** Das Gerät ist nicht für die Verwendung durch Personen, einschließlich kleiner Kinder oder behinderter Personen mit eingeschränkten physischen, sensorischen oder psychischen Fähigkeiten bzw. ohne jegliche Erfahrung oder Wissen vorgesehen, es sei denn sie sind unter Aufsicht oder wurden in die Verwendung des Gerätes durch eine Person, die für ihre Sicherheit verantwortlich ist, eingewiesen.

Bitte stellen Sie sicher, dass kleine Kinder beaufsichtigt werden und nicht mit der Pumpe spielen.

Wenn das Netzkabel beschädigt wurde, darf es nur von AstralPool, seinem autorisierten Kundendienstmitarbeiter oder einer ähnlich qualifizierten Person ersetzt werden, um ein Sicherheitsrisiko zu vermeiden.

### **Betriebsstunden**

Bei niedriger Geschwindigkeit entwickelt Ihre Viron Pumpe nur sehr wenig Lärm und es ist unwahrscheinlich, dass Sie oder Ihre Nachbarn hierdurch gestört werden. Im Allgemeinen sollte Ihre Pool Filterpumpe für mindestens 8 Stunden am Tag betrieben werden, um eine ausreichende Abschöpfung (wodurch die Menge an Ablagerungen, die auf den Boden des Pools fallen, reduziert werden) zu ermöglichen und dem Chlorinator zu ermöglichen, für eine ausreichende Chlorination zur Desinfektion Ihres Pools zu sorgen.

**Größere Energieeinsparungen treten ein, wenn die Pumpe für längere Zeit bei niedriger Geschwindigkeit betrieben wird, anstatt sie für eine kurze Zeit mit hoher Geschwindigkeit zu betreiben.**

## **AUSWAHL DER GEEIGNETEN GESCHWINDIGKEIT**

---

Allgemeine Regeln:

- Das Gesamtvolumen des Wassers in ihrem Pool sollte mindestens einmal am Tag umgewälzt werden.
- Bei einem Betrieb über einen längeren Zeitraum können Sie unter Umständen den Ausstoß Ihres Salzelektrolysegerätes auf ein niedrigeres Niveau stellen. Überprüfen Sie den Chlorgehalt regelmäßig, um sicherzustellen, dass Sie Ihr Schwimmbecken nicht über- oder unterchlorieren.

- **Niedrige Geschwindigkeit** ist werkseitig voreingestellt und ist die empfohlene Einstellung für Ihren täglichen Filtrations-Durchfluss - genug, um das Wasser einmal pro Tag umzuwälzen und das Wasser komplett in Ihrem Pool zu bewegen.
- **Mittlere Geschwindigkeit** ist in der Regel eingestellt als Durchflussrate für besondere Aufgaben. Zum Beispiel erfordert ein im Fußboden eingebautes Reinigungssystem zum Betrieb einen höheren Druck und höhere Durchflussmengen und die mittlere Geschwindigkeit kann eingestellt werden, um das im Fußboden eingebaute Reinigungssystem zu betreiben. Andere Durchflusswerte für besondere Aufgaben können umfassen, sind aber nicht beschränkt auf: die Spa Jets, den Betrieb von Wasserfällen oder Wasserspielen, Betrieb eines Absaug-Poolreinigers.
- **Hohe Geschwindigkeit** ist im Allgemeinen für die Rückspülung Ihres Sandfilters eingestellt. Als Faustregel sollte diese Geschwindigkeit so eingestellt sein, dass das Messgerät an Ihrem Filter bei ca. 70 kPa bis 100 kPa an Druck hat, aber dies hängt von der Größe Ihres Filters und der Größe und Länge der Rückspüleleitung ab.

Bei wärmerem Wetter oder wenn der Pool viel benutzt wird, sollte Ihre Pumpe für 12 Stunden pro Tag oder mehr betrieben werden. Überprüfen Sie die Chlorkonzentration und führen eine Sichtprüfung des Wassers durch um sicherzustellen, dass (a) Sie einen angemessenen Chlorgehalt im Wasser haben und (b) das Wasser in ihrem Pool klar und einladend aussieht. Wenn Sie irgendwelche Zweifel haben, bringen Sie eine Wasserprobe zu Ihrem lokalen Poolshop für eine Wasseranalyse.

Beispiele für die Auswahl der Geschwindigkeit während des Betriebs und dem Einsatz Ihrer Viron P280 oder P300 eVo Pumpe:

Funktion	Geschwindigkeit
Pool oder Spa absaugen	Hohe Geschwindigkeit
Betrieb der Spa Jets	Hohe Geschwindigkeit
Betrieb von Wasserfall oder Wasserspiel	Mittlere bzw. hohe Geschwindigkeit, je nach erforderlicher Wirkung
Reinigung des Pools von trübem Wasser	Bis zu 24 Stunden bei hoher Geschwindigkeit
Allgemeine Filtration	Niedrige Geschwindigkeit (8 Stunden im Winter, 8 bis 12 Stunden im Sommer)

Einige Tipps:

Die P320 bietet rund 15.000 bis 18.000 Liter pro Stunde bei hoher Geschwindigkeit, abhängig von Rohrleitungen, Ventilen, Filter und sonstigen Einrichtungen in Ihrem Pool. Bei geringer Geschwindigkeit beträgt die werkseitig voreingestellte Durchflussmenge ca. 7.500 Liter pro Stunde. **Die Niedrige Geschwindigkeit verbraucht in etwa 10% des Stromverbrauchs** im Vergleich zu der Hoch Geschwindigkeit. Wenn die Pumpe für 8 Stunden am Tag betrieben wird, wird sie einen Pool mit 60.000 Litern einmal komplett umwälzen.

Die P600-Pumpe bietet rund 36.000 Liter pro Stunde bei hoher Geschwindigkeit, je nach Rohrleitung und die werkseitig voreingestellte niedrige Geschwindigkeit bei 1125 U / min etwa 12.000 Liter pro Minute. Dies ist ausreichend, um einen 96.000 Liter-Pool einmal am Tag umzuwälzen.

Als Richtlinie sollte die niedrige Geschwindigkeit eine sichtbare Absaugung der Pool-Oberfläche durch die Skimmerbox erzielen. Bei einem Anschluss an ein AstralPool-konformes Salzelektrolysegerät, Viron Connect Touch Screen Control System, empfehlen wir, dass der Filtrationszeitraum für eine Stunde täglich bei mittlerer Geschwindigkeit ausgeführt wird, um eine komplette Zirkulation und gute Oberflächenabsaugung des Pools zu erreichen. Der Rest der Filtrationszeit kann auf niedrige Geschwindigkeit eingestellt werden.

Sollte sich jedoch ihr Poolwasser trüben oder die Oberfläche Algenwachstum aufweisen, müssen Sie möglicherweise die niedrige Geschwindigkeit der Pumpe erhöhen, um eine ausreichende Zirkulation des Wassers und Chlor s in allen Bereichen Ihres Pools zu gewährleisten.

Bevor Sie die Geschwindigkeit der Pumpe anpassen ist es wichtig die Chlor- pH-Werte sowie andere Parameter zu überprüfen, um eine korrekte Wasserqualität sicherzustellen. Wir empfehlen diese Überprüfungen von Ihrem qualifizierten Poolshop oder Service-Fachpersonal ausführen zu lassen.

## **BETRIEB DES BEDIENFELDS - VIRON P320 & P600 EVO**

---

Der Viron P320 und P600 eVo Pumpen verfügen über einen LCD-Bildschirm mit Hintergrundbeleuchtung mit den folgenden Funktionen:

Eingebaute Zeituhr:

- Programmierbar für bis zu vier Zeitgeberzeiten für jeden Tag
- Zeitgeber-Zeiten können stillgelegt und 1, 2, 3, oder 4 Zeiten ausgewählt werden
- Unterschiedlicher Geschwindigkeit (niedrig, mittel, hoch) für jede Zeitgeber-Zeit
- Zeigt die tatsächliche Drehzahl des Motors an und niedrige, mittlere und hohe Geschwindigkeit kann eingestellt werden, um an Ihren Pool angepasst zu sein
- Zeitgeber-Uhr und-Zeiten können bei einem Anschluss an eine externe Zeitgeberuhr deaktiviert werden
- Kann durch eine AstraPool-kompatible Fernbedienung oder eine Chlorinator programmiert werden, um während verschiedener Tageszeiten mit unterschiedlichen Geschwindigkeiten zu arbeiten
- Ermöglicht eine einstellbare Vorpump (Vorlauf-)Zeit und die Zeit des Vorlaufs kann von 2 Minuten bis zu 120 Minuten geändert werden




## BETRIEB DES BEDIENFELDS - VIRON P320 & P600 EVO (FORTSETZUNG)




---

Verwendung des eingebauten Zeitgebers zum Betrieb der Pumpe mit einem AstralPool Chlorinator oder einer e-Quilibrium Dosiereinheit


### Werksseitige Einstellung

1. Die eingebauten Zeitgeber sind aktiviert und kontrollieren die Zeit, zu der die Pumpe betrieben wird.
2. Die Konnektivität zu AstralPool-konformen Salzelektrolysegeräten, e-Quilibrium Dosiersteuerung für Chemikalien oder Viron Connect Fernbedienungen ist ausgeschaltet.
3. Verwenden Sie die Schaltfläche  „auto“ zum Ein- oder Ausschalten der Pumpe. Wenn in Ein-Position, bleibt die Pumpe bis zur nächsten Zeitgeber-Zeit ausgeschaltet, es sei denn die Schaltfläche wird erneut betätigt zum Manuellen Einschalten. Wenn die Pumpe auf Manuelles Einschalten eingestellt wird, arbeitet Sie ohne zeitliche Beschränkung auf unbestimmte Zeit. In der „Off“-Position (sichtbar auf der LCD-Anzeige), bleibt die Pumpe auf unbestimmte Zeit ausgeschaltet. Für den Zeitgeber-Betrieb stellen Sie sicher, dass die „auto“ Schaltfläche gedrückt ist, sodass die LCD-Anzeige „auto“ anzeigt.

### Einstellen der aktuellen Uhrzeit

1. Wenn verbunden mit einem kompatiblen AstralPool Salz-Chlorinator oder e-Quilibrium Dosierungssteuerer-Verbindungsdatenkabel zwischen der Rückseite der Pumpe und dem Chlorinator in der e-Quilibrium Dosiereinheit.
2. Verbinden Sie sie und schalten den Strom zur Pumpe und dem Chlorinator (oder Dosiereinheit) ein.
3. Wechseln Sie auf MENU (zweimal), bis „CLK“ angezeigt wird und drücken Sie ENTER, um die Zeit einzustellen. Verwenden Sie die  nach oben und nach unten  Pfeile, um die Stunde einzustellen, drücken Sie erneut ENTER, um die Minuten einzustellen und dann erneut ENTER zur Einstellung von AM oder PM.
4. Drücken Sie zur Bestätigung  ENTER.
5. Die LCD-Anzeige wird 3 Mal blinken um anzuzeigen, dass die neue Einstellung akzeptiert wurde.

### Einstellung der Pumpe zum unabhängigen Betrieb von externem AstralPool-konformem Chlorinator oder Kontrollsystem

1. Wechseln Sie im MENU bis „CONF“ auf der LCD-Anzeige angezeigt wird.
2. Drücken und HALTEN Sie ENTER für 3 Sekunden gedrückt. „TMRS“ wird angezeigt.
3. Drücken Sie ENTER.
4. Drücken Sie die Auf- oder Abwärtstasten, um TMRS einzuschalten.
5. Drücken Sie zur Bestätigung ENTER.
6. Drücken Sie  „auto“, um zum Hauptmenü zurückzukehren.

### Änderung der Geschwindigkeitseinstellungen Niedrig, Mittel und Hoch

1. Wählen Sie die Schaltfläche Geschwindigkeit zum Anpassen von Niedrig, Mittel und Hoch. Die entsprechende LED wird aufleuchten.




2. Ändern Sie die Geschwindigkeit in Schritten von 25 U / Min mit Hilfe der Pfeile nach oben und nach unten bis die gewünschte Geschwindigkeit auf dem Bildschirm angezeigt wird. Während der Bearbeitung wird die jeweiligen „Speed 1“, „Speed 2“ oder „Speed 3“ blinken.
3. Die neue Geschwindigkeit wird automatisch nach 2 Sekunden gespeichert. Das Blinken stoppt, um das Speichern zu signalisieren.

#### **Einstellen der Filtration-Zeitgeber-Zeiten**

1. Drücken Sie die Taste MENU, um zu den PRIM-Einstellungen zu gelangen.
2. Die Vorbereitungszeit ist standardmäßig auf 5 Minuten bei hoher Geschwindigkeit eingestellt. Bei einer Installation der Pumpe auf oder unterhalb des Wasserspiegels empfehlen wir, den PRIM auf 2 Minuten zu ändern. Drücken Sie ENTER und dann die Nach oben oder Nach unten-Pfeile, um die primäre Geschwindigkeit zu ändern. Drücken Sie zur Bestätigung ENTER. Die Vorbereitungszeit wird nun angezeigt.
3. Verwenden Sie die Pfeiltasten Nach oben oder Nach unten, um die Vorbereitungszeit zu ändern. Drücken Sie zur Bestätigung ENTER.
4. Wählen Sie das MENU, um TMR „Timer-Einstellungen“ aufzurufen und drücken Sie ENTER, um diese zu ändern.
5. Zeitgeber 1 ist werkseitig auf einen Start um 8 Uhr morgens eingestellt. Verwenden Sie die Pfeiltasten Nach oben oder Nach unten um es zu ändern. Drücken Sie High, Medium oder Low, um die Geschwindigkeit der Pumpe in Zeitgeber 1 zu ändern. Auf dem LCD-Bildschirm wird Low angezeigt als „speed1“, Medium durch die „speed 2“, und High als „speed 3“.
6. Drücken Sie ENTER, um zu der Stopp- oder Endzeit von Zeitgeber 1 zu gehen. Verwenden Sie die Pfeiltasten Nach oben oder Nach unten, um die Endzeit von Zeitgeber 1 zu ändern.
7. Zeitgeber 2 wird jetzt auf dem LCD-Bildschirm angezeigt. Wiederholen Sie die Schritte 4. bis 6. Aben.
8. Timer 3 wird nun angezeigt, ist jedoch auf AUS voreingestellt. Das verschieben des Zeitgebers auf Mitternacht wird diese Zeitgeber-Zeit ausschalten. Verwenden Sie die Pfeiltasten Nach oben und Nach unten, um die Zeit zu aktivieren und wiederholen Sie die Schritte 4 und 5 oben.
9. Timer 4 ist ebenfalls auf AUS voreingestellt und kann über die Auf- und Abwärtspfeile aktiviert werden.
10. Denken Sie daran, die für den Betrieb gewünschte Geschwindigkeit während jede Zeitgeber-Zeit durch drücken der High, Medium oder Low tasten auszuwählen, während Sie sich noch im Zeitgeber-Start programm befinden.

#### **Verwenden des integrierten Pumpenzeitgebers mit nicht-kompatiblen Chlorinator oder Dosierungseinheit.**

1. Wir können die Verwendung des Pumpzeitgebers nicht empfehlen, wenn einem nicht-kompatiblen Chlorinator oder Dosierer für Chemikalien der Wasserdurchfluss von der Viron P320 oder P600 eVo Pumpe bereitgestellt wird.
2. In diesem Fall sollten die Betriebsstunden der Pumpe über eine Chlorinator-Zeituhr kontrolliert und die Pumpe in den Chlorinator eingesteckt werden. Dies ist eine Sicherheitsmaßnahme, die von den meisten Chlorinatorherstellern zur Verfügung gestellt wird.
3. Es ist jedoch wichtig, den integrierten Pumpen-Zeitgeber zu deaktivieren.
4. Wechseln Sie im MENU bis „CONF“ auf der LCD-Anzeige angezeigt wird.
5. Drücken und HALTEN Sie ENTER für 3 Sekunden gedrückt.
6. Drücken Sie MENU, bis „TMR“ angezeigt wird.
7. Drücken Sie die Auf- und Abwärtstasten, um TMR auszuschalten.

8. Drücken Sie zur Bestätigung ENTER.
9. Drücken Sie  „auto“, um zum Hauptmenü zurückzukehren.
10. Beim Durchlaufen der Schaltfläche MENU wird TMR nicht mehr erscheinen.
11. Sie werden nicht mehr länger in der Lage sein, die Geschwindigkeit der Pumpe während der verschiedenen Tageszeiten automatisch zu ändern.
12. Wenn Sie jedoch die Pumpe für eine bestimmte Zeit auf hoher Geschwindigkeit betreiben wollen, zum Beispiel um das Wasser als Teil der täglichen Filtration stark zirkulieren zu lassen, können Sie die PRIMING-Einstellung hierfür verwenden.


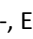

### **Verwenden des PRIMING-Programms, um das Wasser mit höherer Durchflussrate als Teil des täglichen Filtrationszyklus zu zirkulieren.**

1. Drücken Sie die Taste MENU, um zu den PRIM-Einstellungen zu gelangen.
2. Die Vorbereitungszeit ist standardmäßig auf 5 Minuten bei hoher Geschwindigkeit eingestellt. Verwenden Sie die Pfeiltasten Nach oben oder Nach unten, um die Vorbereitungszeit auf bis zu 120 Minuten zu ändern. Verwenden Sie die Schaltflächen High, Medium oder Low um die Geschwindigkeit auszuwählen, mit der die Pumpe während der Vorpumpzeit betrieben werden soll. In diesem Fall empfehlen wir die Schaltfläche Hohe Geschwindigkeit zu wählen.
3. Drücken Sie „auto“, um das Programm zu verlassen.

### **Verwendung der Pumpe mit AstraPool-kompatibler externer Steuerung**

AstralPool stellt Salzelektrolysegeräte, e-Quilibrium Dosiereinheiten für Chemikalien oder das Viron Connect Touch Screen Kontrollsystem her, die sowohl die Betriebszeiten aller Viron eVo Pumpen steuert UND die Geschwindigkeit mit der die Pumpe während jeder Zeitgeber-Zeit läuft.

Für die P320 und P600 müssen Sie den Kommunikation-Port aktivieren und den in der Pumpe integrierten Zeitgeber deaktivieren.

1. Drücken Sie MENU, bis „CONF“ (konfigurieren) angezeigt wird. Halten Sie ENTER für 3 Sekunden gedrückt.
2. Drücken Sie MENU, bis „TMR“ angezeigt wird.
3. Drücken Sie die Auf- und Abwärtstasten, um TMR auszuschalten. Denken Sie daran, dass Sie jetzt die externe Steuerung für das Einstellen der Pumpen-Betriebsstunden verwenden, sodass der Pump-Zeitgeber ausgeschaltet werden muss.
4. Drücken Sie zur Bestätigung ENTER.
5. Gehen Sie das MENU durch, bis „SYS“ (System) erscheint. Drücken Sie die Schaltflächen  Hoch oder Runter  und ändern es auf „ON“. Die Viron P320 oder P600 eVo wird die Start-, End- und Pumpengeschwindigkeit-Anweisungen der AstraPool-konformen Steuerung Chlorinator e-Quilibrium Dosierungssteuerung oder Viron Connect Touch Screen Control akzeptieren.
6. Drücken Sie  „auto“, um zum Hauptmenü zurückzukehren.
7. Die Zeit wird weiterhin auf der LCD-Anzeige angezeigt werden, doch die Zeitgeberfunktion in den Menüeinstellungen wird nicht länger erscheinen. Das Drücken der Schaltfläche MENU wird jetzt nur noch PRIM (Verpump-Programm), CLK (Uhreinstellung) und CONF (Konfigurationsmenü) anzeigen.
8. Lesen Sie Ihr Handbuch für AstraPool-kompatiblen Chlorinator, e-Quilibrium Dosiersteuerung oder Viron Connect Touch Screen Control für Details zur Programmierung der Pumpgeschwindigkeit und Betriebsstunden.

## Fehlercodes

### Nur P320 & P600 Pumpe

Fehlercode (wird auf dem Bildschirm eingeblendet)	Bedeutung
HI T	Hohe Temperatur
HI A	Überstrom
Lo V*	Unter Eingangsspannung
BSUC	Motor ist blockiert

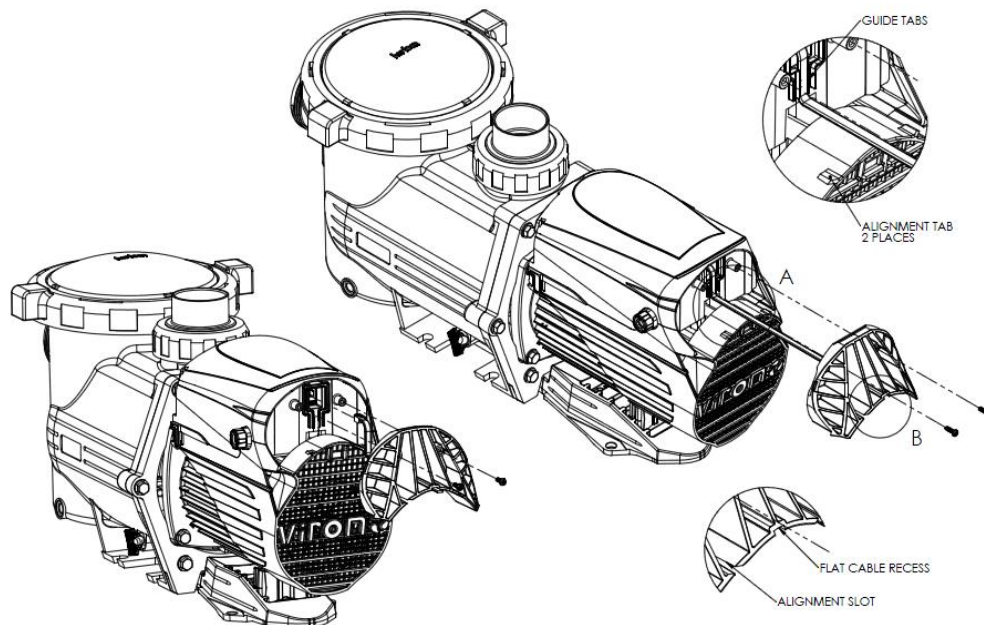
\* Bitte beachten Sie: Es ist normal, dass der „Lo V“-Fehlercode kurz beim Start angezeigt wird.

### **Anschluss für Datenkabel:**

Wenn ein kompatibles AstralPool VX Salzelektrolysegerät, Viron Salzelektrolysegerät oder ein Viron Connect Touch Screen mit dem AstralPool Kommunikationskabel verbunden ist, können die Geschwindigkeit der Pumpe und die Betriebsstunden über diese Geräte gesteuert werden.

Die Viron P320 & P600 eVo müssen die integrierten Zeitgeber deaktiviert haben, wenn die Betriebszeiten und Geschwindigkeiten der Pumpe über die kompatiblen AstralPool Salzelektrolysegeräte, e-Quilibrium Dosiersteuerung oder Viron Connect Remote Touch Screen betrieben werden.

Lösen Sie die 2 Kreuzschlitzschrauben Bildschirme von der Rückseite der Pumpe und die Abdeckung des Datenports wird von Hand entfernt. Stecken Sie das RJ12 6-adrige Kabel von AstralPool in die Rückseite der Pumpe und bauen diese wieder zusammen. Um die richtige Abdichtung zu gewährleisten, drücken Sie das flache Kabel in die Halterungen (detaillierte Ansicht A). Schieben Sie die Abdeckung wieder ein, indem Sie die Laschen mit den Schlitzten und das Kabel mit der Aussparung (detaillierte Ansicht B) ausrichten.

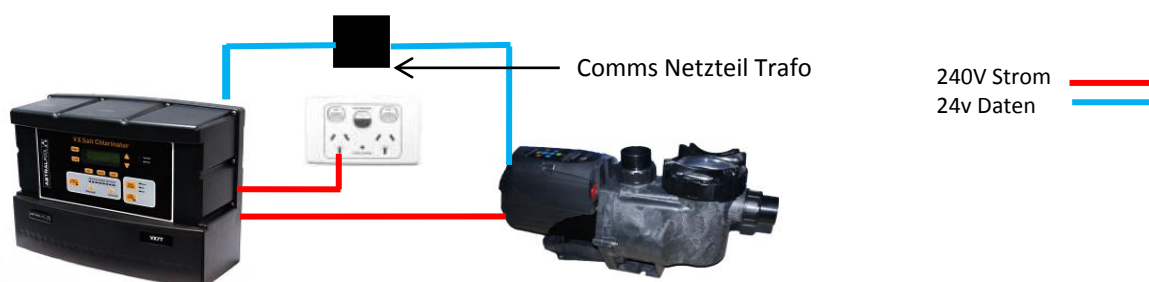


## FERNBEDIENUNG DER GESCHWINDIGKEITEN UND ZEITGEBER-FUNKTIONEN

- Viron eVo Pumpe stand-alone
  - 4 Integrierter Zeitgeber-Zeiten in der Pumpe
  - 3 Programmierbare -Geschwindigkeitseinstellungen
  - Niedrige, mittlere oder hohe Geschwindigkeit kann für jede Zeitgeber-Zeit gewählt werden
  - Vorpump-Zeitraum kann von 2 bis 120 Minuten gewählt werden
  - Vorpumpen U / min kann von 1275 bis 2850 U / MIN gewählt werden

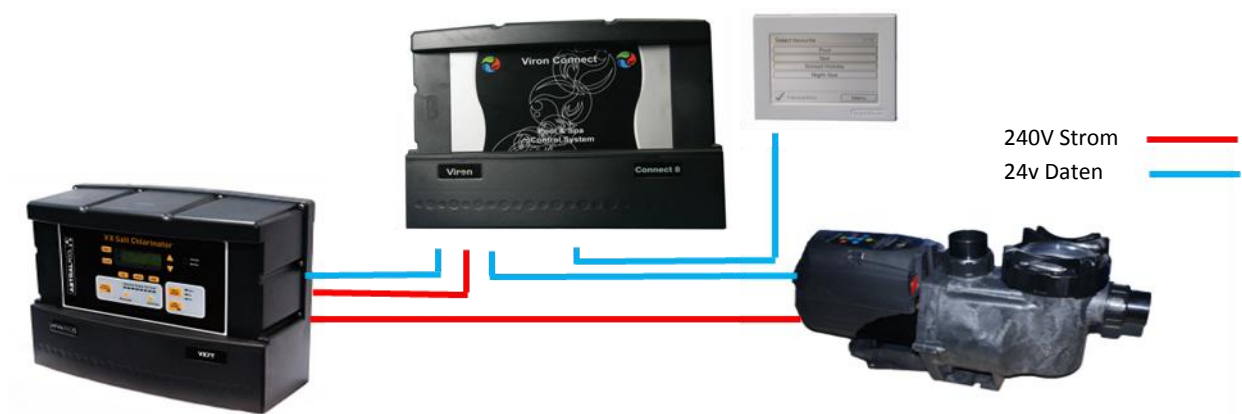


- Alle Modell Viron eVo Pumpen und kompatible VX Zeitgeber Modell Chlorinatoren oder Viron Salzelektrolysegeräte
  - Zeitgeber-Zeiten Einstellung in Chlorinator
  - Niedrige, mittlere oder hohe Geschwindigkeit kann für jede Zeitgeber-Zeit gewählt werden
  - Datenkabel verbindet Pumpe mit Chlorinator über comms Schnittstellenmodul
  - eVo Pumpe kann mit deaktivierten Zeitgeber-Zeiten eingestellt werden
  - Pumpgeschwindigkeit kann von der Pumpe (von Chlorinator Anfang 2012) geändert werden.



- Alle Modell Viron eVo Pumpen, VX S (ohne Zeitgeber) Modell Chlorinator und Viron Connect Remote Control System
  - Zeitgeber-Zeiten Einstellung in Controller
  - 3 programmierbare Geschwindigkeitseinstellungen an der Pumpe
  - Wählen Sie niedrige, mittlere oder hohe Geschwindigkeit während jeder Zeitgeber-Zeit
  - Datenkabel verbinden Pumpe / Chlorinator / Controller

- eVo Pumpe kann mit deaktivierten Zeitgeber-Zeiten eingestellt werden
- Pumpgeschwindigkeit kann von der Pumpe oder dem Controller geändert werden.



## GESCHWINDIGKEITSWAHL-BEISPIELE FÜR VIRON P600 EVO

Funktion	Geschwindigkeit
Pool oder Spa absaugen	Mittlere Geschwindigkeit (hohe Drehzahl kann zum Kollabieren des Vakuumschlauchs führen)
Betrieb der Spa Jets	Mittlere oder hohe Geschwindigkeit
Betrieb von Wasserfall oder Wasserspiel	Mittlere bzw. hohe Geschwindigkeit, je nach erforderlicher Wirkung
Reinigung des Pools von trübem Wasser	Bis zu 24 Stunden bei hoher Geschwindigkeit
Allgemeine Filtration	Niedrige Geschwindigkeit (8 Stunden im Winter, 8 bis 12 Stunden im Sommer)
Einzelpumpe Reinigungssystem im Fußboden	Mittlere Geschwindigkeit für 3 bis 3 Stunden pro Tag und niedrige Geschwindigkeit für 5 bis 6 Stunden am Tag
Kompatibel Hochdruckreiniger	2 oder 3 Stunden pro Tag bei hoher Geschwindigkeit, 5 oder 6 Stunden pro Tag bei niedriger Geschwindigkeit

## VERWENDUNG MIT SAUGREINIGERN

Beim Anschluss eines Absaug-Reinigers an die Viron eVo Pumpe ist es wichtig, dass ein komplettes Vorpumpen der Pumpe vor dem Anschluss des Reinigungsschlauchs erreicht wird. Während des Betriebs bei niedriger Geschwindigkeit kann die Pumpe eventuell nur mit teilweisem Vorpumpen in die Haar- und Flusenkorbkammer betrieben werden.

Um einen Saugreiniger an Ihrer Pumpe zu betreiben:

1. Wählen Sie die Geschwindigkeitsschaltfläche (Low, Medium oder High) mit der die Pumpe betrieben werden soll, wenn der Saugreiniger angeschlossen ist.

2. Ermöglichen Sie der Pumpe mindestens für 2 Minuten zu laufen, um ein komplettes Vorpumpen zu erzielen.
3. Verbinden Sie die Reinigerplatte und den Reinigerschlauch erst mit dem Skimmer / Wandsauger nachdem alle Luft aus dem oberen Bereich des Haar- und Flusenkorbs Ihrer Viron Pumpe entfernt ist.
4. Passen Sie die Geschwindigkeit (mit den Schaltflächen Erhöhen oder Vermindern) an, mit der der Reiniger über alle Bereiche des Pools läuft. Die werkseitig voreingestellte mittlere Geschwindigkeit betreibt im Allgemeinen alle Saugreinigertypen in den meisten Pools. Bei der Verwendung der Einstellung Niedrige Geschwindigkeit ist es normalerweise notwendig, die niedrige Geschwindigkeit zu erhöhen, um einen zuverlässigen Betrieb des Saugreinigers zu gewährleisten.
5. Wenn der Reiniger nicht länger benötigt wird, trennen und entfernen Sie den Schlauch / die Reinigerplatte von dem System. Wählen Sie die niedrigste Filtrationsgeschwindigkeit, die Ihren Pool sauber hält.
6. Bei einem Austausch oder der Wahl eines neuen Reinigers empfiehlt AstralPool eine Aquatron Roboterreiniger, der unabhängig von der Filterpumpe betrieben wird und gewährleistet, dass die Pumpe bei einer Geschwindigkeit betrieben wird, die eine maximale Energie- (und Kosten-) Ersparnis bietet.

## VERWENDUNG MIT ASTRALPOOL GAS-HEIZUNGEN

---

Gas Heizungen (und elektrische Wärmepumpen) sind im Allgemeinen auf einen Wasserdruckschalter zum Aktivieren der Heizsteuerschaltung angewiesen. Wenn eine variable Geschwindigkeitspumpe mit niedriger Geschwindigkeit arbeitet, ist der erzeugte Wasserdruck in der Regel nicht ausreichend, um den Druckschalter und den Steuerkreis in der Heizanlage zu aktivieren.

Wenn Sie eine kompatible AstralPool Gas-Heizung verwenden, können Sie automatisch die Geschwindigkeit Ihrer Viron eVo Pumpe erhöhen, um zu gewährleisten, dass der Wasserdruckschalter aktiviert wird und die Heizung ausreichend Wasserdurchfluss für einen korrekten Betrieb erhält.

Ein RJ12 (6-adriges Flachbandkabel) speziell verdrahtete und erhältlich von AstralPool verbindet Ihre Pumpe und Heizung. Lesen Sie die Bedienungsanleitung für die Heizung für Details zur Verbindung der Datenkabel.



Viron Pumpe bei einer Verbindung mit Viron Heizung oder anderer kompatibler AstraPool Heizung über RJ 12 Kabel.	
Viron Heizgerät Status	Viron Pumpe Antwort
Wenn die Heizung aus ist	Läuft mit eingestellter Standard Geschwindigkeit.
Wenn an aber nicht leuchtet	Läuft mit einem Minimum von mittlerer Geschwindigkeit. Der Benutzer kann mit die Schaltflächen verwenden, um nur Mittel oder Hoch auszuwählen (die Schaltfläche für niedrige Geschwindigkeit hat keine Wirkung). Die „Start-Up-Zeit“ wird abgebrochen.
Wenn die Flamme zum ersten Mal brennt	Läuft bei hoher Geschwindigkeit. Der Benutzer kann die Pumpengeschwindigkeit nicht ändern.
Wenn die Flamme verloren geht	Läuft mit eingestellter Standardgeschwindigkeit oder mittlerer Geschwindigkeit wenn Heizer angeschaltet ist.

Viron Pumpe bei einer Verbindung mit Viron Heizung oder anderer kompatibler AstraPool Heizung über Viron Connect	
Viron Heizgerät Status	Viron Pumpe Antwort
Wenn die Heizung aus ist	Läuft mit der manuell vom Benutzer eingestellten Geschwindigkeit oder der gewählten Standardgeschwindigkeit bei Betrieb über Zeitgeber.
Wenn an aber nicht leuchtet	Änderungen an der Höhe der Geschwindigkeit, die von dem Benutzer in der Installationseinstellung konfiguriert ist (die „Heizung Ein“ Geschwindigkeit) oder die Geschwindigkeit des aktuellen Zeitgebers. Der Benutzer kann nicht auf niedrige Geschwindigkeit wechseln.
Wenn die Flamme zum ersten Mal brennt	Läuft bei hoher Geschwindigkeit. Der Benutzer kann die Pumpengeschwindigkeit nicht ändern.
Wenn die Flamme verloren geht	Läuft mit der manuell vom Benutzer eingestellten Geschwindigkeit oder der gewählten Standardgeschwindigkeit bei Betrieb über Zeitgeber.

## WARTUNG

---

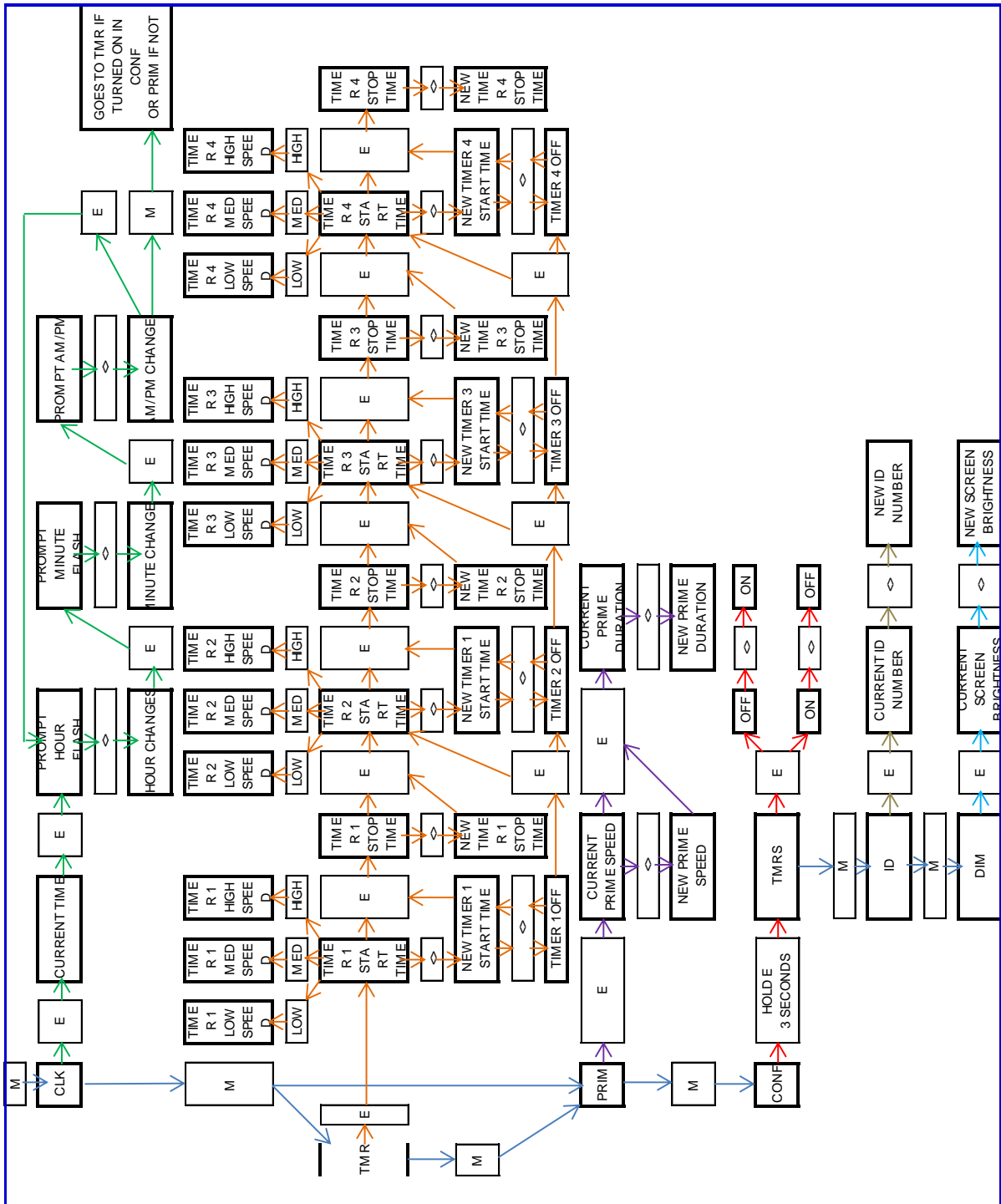
**Wartungsplan:** Ihr neues Produkt enthält bewegliche Teile und widersteht hohen Strömungsgeschwindigkeiten von Wasser, das Chemikalien enthält. Einige dieser Teile verschleifen im Rahmen der normalen Nutzung und erfordern eine regelmäßige Überprüfung und Wartung. Die Durchführung dieser Kontrollen und Wartungen wird abgenutzte Teile, die eine Reparatur / einen Austausch benötigen, identifizieren, bevor weitere schwere Schäden eintreten. Etwas regelmäßige Pflege und Wartung Ihrer Poolausstattung trägt zu einer langen Lebensdauer und einer störungsfreien Leistung bei.

Zeitplanung	Wartungsprüfung	Servicehandlung (falls erforderlich)
Einmal pro Woche oder öfter	Überprüfen und leeren des Haar- und Flusenkorbs	Blätter und Schmutz entfernen
Alle drei Monate	Prüfen Sie den O-Ring des Deckels und die Einlass / Auslass-O-Ringe auf Dichtheit	Isolieren Sie die Pumpe, schalten Sie den Strom aus, reinigen und fetten Sie die O-Ringe oder tauschen diese falls erforderlich aus
Alle drei Monate	Prüfen Sie Umgebung auf Blätter, Schmutz und Überschwemmungen	Entfernen Sie den Schmutz und korrigieren es im Falle einer Überschwemmung
Alle drei Monate	Prüfen Sie auf Undichtigkeiten unter der Pumpe	Wenden Sie sich an den Service Techniker, reparieren oder ersetzen Sie Gleitringdichtungen und Lager bei Bedarf

**Wichtiger Hinweis:** Regelmäßige Wartung ist wichtig für eine lange Lebensdauer und störungsfreie Leistung von Ihrer Poolausstattung. Wenn es Ihnen nicht möglich ist die Wartungen selber durchzuführen, kontaktieren Sie Ihr lokales Astral Pool-Büro, das dafür sorgen wird, dass ein geschulter Service-Techniker diese Wartungsarbeiten für Sie durchführen wird.



# VIRON EVO KONTROLLFLUSS-DIAGRAMM



# GARANTIEZERTIFIKAT

## 1. ALLGEMEINES

- 1.1. In Übereinstimmung mit diesen Bestimmungen garantiert der Verkäufer, dass das Astral Produkt, zu dem diese Garantie gehört ("das Produkt") zum Zeitpunkt der Übergabe nicht vertragswidrig ist.
- 1.2. Der Garantiezeitraum für das Produkt beträgt zwei (2) Jahre und beginnt mit der Übergabe des Produktes an den Käufer.
- 1.3. Falls das Produkt vertragswidrig ist und der Käufer dies dem Verkäufer innerhalb des Garantiezeitraumes mitteilt, muss der Verkäufer das Produkt an einem ihm geeignet scheinenden Ort auf eigene Kosten reparieren oder ersetzen, es sei denn, dass diese Abhilfen unmöglich oder unverhältnismässig wären.
- 1.4. Für den Fall, dass das Produkt nicht repariert oder ersetzt werden kann, kann der Käufer eine angemessene Reduzierung des Kaufpreises oder, wenn die Vertragswidrigkeit schwerwiegend ist, die Auflösung des Kaufvertrags verlangen.
- 1.5. Die kraft dieser Garantie ersetzten oder reparierten Teile verlängern den Garantiezeitraum des Originalproduktes nicht, sie können jedoch über eine eigene Garantie verfügen.
- 1.6. Damit diese Garantie gültig ist, muss der Käufer das Kauf- und Übergabedatum des Produktes nachweisen können.
- 1.7. Wenn der Käufer nach Ablauf von mehr als sechs Monaten ab Übergabe des Produktes an ihn eine Vertragswidrigkeit dieses Produktes aufzeigt, muss er die Ursache und die Existenz des angeführten Defektes beweisen.
- 1.8. Dieses Garantiezertifikat schränkt die in den nationalen Rechtsnormen festgelegten zwingenden Rechte der Verbraucher nicht ein, und diese nationalen Normen bleiben von dieser Garantie unberührt.

## 2. SPEZIELLE BESTIMMUNGEN

- 2.1. Die vorliegende Garantie deckt die Produkte der Produktgruppe "Filterpumpen" von Astral Pool ab.
- 2.2. Das vorliegende Garantiezertifikat gilt ausschliesslich in den Ländern der Europäischen Union.
- 2.3. Damit diese Garantie wirksam ist, muss der Käufer den Hinweisen des Herstellers, die in den mitgelieferten Produktunterlagen angeführt sind, Folge leisten, wenn diese Unterlagen, je nach Modell und Produktreihe, für das jeweilige Produkt gelten.
- 2.4. Wenn der Ersatz, die Wartung oder die Reinigung von gewissen Teilen und Komponenten des Produktes in bestimmten Zeitabständen durchgeführt werden müssen, so ist die Garantie nur dann gültig, wenn der genannte Zeitraum korrekt eingehalten worden ist.

## 3. EINSCHRÄNKUNGEN

- 3.1. Die vorliegende Garantie gilt nur dann, wenn das Produkt an Verbraucher veräussert wurde, wobei unter "Verbraucher" jene Person zu verstehen ist, die das Produkt zu solchen Zwecken erwirbt, die mit ihrer beruflichen Aktivität nichts zu tun haben.
- 3.2. Bei normalem Verschleiss aufgrund der Verwendung des Produktes wird keine Garantie gewährt. Wenn der Fall auftritt, geht in Verbindung mit Teilen, Komponenten und/oder Ersatz- oder Verbrauchsmaterialien, wie Schössern, Lagern und Dichtungselementen das in den mitgelieferten Produktunterlagen Angeführte vor.
- 3.3. Die Zubehörelemente für "Filterpumpen", wie beispielsweise Schaltschränke, Transformatoren, Schutzrüstungen, etc., sind in der vorliegenden Garantie nicht eingeschlossen, ausser dann wenn sie ausdrücklich anführt sind.

3.4. Es fallen nur die Mängel unter die Garantie, die einzig und allein durch Materialdefekte und/oder Arbeitskräfte verursacht wurden. Die Garantie deckt die Fälle nicht ab, in denen das Produkt: (i) unsachgemäß verwendet, (ii) von nicht autorisierten Personen installiert, repariert und gewartet oder manipuliert oder (iii) mit nicht Originalteilen repariert oder gewartet wurde. Nicht von der Garantie abgedeckt sind die Defekte, die durch den versehentlichen oder unsachgemässen Gebrauch entstehen, wie beispielsweise:

- Verwendung der Pumpe im Trockenen.
- Falsche Dosierung der chemischen Produkte im Schwimmbad.
- Wasserschäden, die durch Umstände hervorgerufen werden, die nicht den Förderleistungen der Pumpe zuzuschreiben sind.
- unzureichende Belüftung.
- Verwendung in einem anderen Bereich, als dem der Wasserfilterung in Schwimmbädern.

3.5. Wenn die Vertragswidrigkeit des Produktes eine Folge der falschen Installation oder Inbetriebnahme ist, so ist die Garantie nur wirksam, wenn die genannte Installation oder Inbetriebnahme im Kaufvertrag des Produktes eingeschlossen ist und vom Verkäufer, bzw. unter seiner Verantwortlichkeit vorgenommen wurde.



Viron P320 eVo

Viron P600 eVo

Bombas para piscinas e Spas

ASTRALPOOL



## INSTRUÇÕES DE INSTALAÇÃO E FUNCIONAMENTO



Viron P320 eVo



Viron P600 eVo

A division of

FLUIDRA



#### Prova de conformidade

- Declara, sob sua responsabilidade, que todas as bombas: Bombas para piscina Viron eVo, fase única, fabricadas desde 01 / 01 / 12, independentemente do número de série, estão em conformidade com
  - As prescrições de segurança da directiva para máquinas 98 / 37 / EC
  - A directiva de compatibilidade electromagnética 2004 / 108 / EC
  - A directiva de tensão baixa 2006 / 95 / EC
  - A directiva contra a emissão de ruídos 2000 / 14 / EC
  - Máquina rotativa EN 60034 / 1
  - Imunidade electromagnética EN 610000 / 4 / 2
  - Aparelhos domésticos EN 60446 / 1
  - EN 60335-2-41 / A1:2004

#### **ESPECIFICAÇÕES DA BOMBA eVo VIRON DA ASTRALPOOL – DESCRIÇÃO DO PRODUTO E ACESSÓRIOS**

O corpo da bomba é feito com materiais termoplásticos de última geração. As bombas são auto-escorvantes em várias velocidades, com saída de até 2 CV, e possuem motores de fase única. Há um pré-filtro integrado ao corpo da bomba para evitar a entrada de corpos externos, o que poderia causar danos às peças hidráulicas da bomba.

Os motores fornecidos com a bomba motorizada foram protegidos com a protecção IP-X5 e estão adaptados para suportar ambientes quentes e níveis altos de humidade.



**Peter Wallace**

Director Executivo, ASTRALPOOL AUSTRÁLIA



SE ESTE PRODUTO NÃO FOR UTILIZADO OU INSTALADO EM CONFORMIDADE COM ESTAS INSTRUÇÕES E COM RESPECTIVAS NORMAS AUSTRALIANAS, PODERÁ PROVOCAR LESÕES OU MORTE.

**WARNING**



ESTE APARELHO NÃO FOI CONCEBIDO PARA SER UTILIZADO POR CRIANÇAS OU PESSOAS DOENTES. CERTIFICAR QUE AS CRIANÇAS SÃO VIGIADAS DE MODO A NÃO BRINCAREM COM O APARELHO.

**WARNING**



A BOMBA GERA PRESSÕES ELEVADAS - MANTENHA-SE AFASTADO DA BOMBA E DE TODO O EQUIPAMENTO DE FILTRAGEM DURANTE O ARRANQUE DA BOMBA.

**WARNING**



A BOMBA SÓ PODE SER INSTALADA POR UM TÉCNICO ESPECIALIZADO EM MONTAGEM DE BOMBAS PARA PISCINAS. OS INSTALADORES, UTILIZADORES E PROPRIETÁRIOS DEVEM LER ESTAS INSTRUÇÕES ANTES DE UTILIZAREM A BOMBA.

**WARNING**



A BOMBA REINICIA AUTOMATICAMENTE APÓS UM FUNCIONAMENTO COM LIMITES ELEVADOS, DESLIGAR A BOMBA ANTES DA REALIZAÇÃO DE OPERAÇÕES DE MANUTENÇÃO OU REPARAÇÃO.

**WARNING**



A DEFINIÇÃO INCORRECTA DAS VELOCIDADES DA BOMBA, PODE PROVOCAR UMA FILTRAGEM OU FUNCIONAMENTO INCORRECTO DA PISCINA OU SPA. ASSEGURAR QUE A BOMBA É INSTALADA, CONFIGURADA E LICENCIADA POR UM DISTRIBUIDOR AUTORIZADO DA ASTRALPOOL.

## GERAL

---

A bomba para piscinas Viron eVo é um motor CC magnético permanente, com velocidade variável e combinado com uma zona húmida da bomba com eficiência energética. Quando instalada e apurada correctamente, a bomba Viron eVo, reduz significativamente os custos de funcionamento, reduz os níveis de ruído e as emissões de gases de efeito estufa.

As bombas de piscina Viron eVo estão disponíveis numa variedade de modelos, com estas velocidades fixas de fábrica que oferecem taxas de fluxo aproximadas:

Modelo	Alta	Média	Baixa
Viron P320 eVo	320 lpm	206 lpm	128 lpm
Viron P600 eVo	600 lpm	426 lpm	200 lpm

(Taxas de fluxo baseadas numa velocidade máxima a 8 m de altura manométrica total).

Cada velocidade pode ser alterada facilmente, de modo a adequar-se à dimensão da sua piscina, filtro, aprumo e aplicação. As bombas da série Viron eVo têm de ser instaladas por um técnico especializado em montagem de bombas para piscinas formado pela AstralPool; de modo a assegurar que foi seleccionado o modelo correcto da bomba - instalada correctamente e configurada para o seu tipo de piscina e, para lhe explicar detalhadamente o funcionamento da mesma.

## CARACTERÍSTICAS

---

- Motor nominal de serviço contínuo
- Turbina de alta pressão moldada reforçada, permitindo um desempenho elevado
- Estrutura moldada de peça única para conseguir uma resistência adicional e uma duração mais prolongada
- Difusor de enchimento rápido para corrigir rapidamente a perda do fluxo de água
- Desmontagem rápida e fácil para assistência técnica
- Cesto de grande capacidade com uma inclinação facilmente removível na tampa
- Capacidade para ajustar velocidades predefinidas, de modo a obter um fluxo de água óptimo e maximizar a poupança de energia para a sua piscina e respectivo equipamento
- Circuito de água duplamente isolado para permitir uma protecção eléctrica máxima

Fig. 1

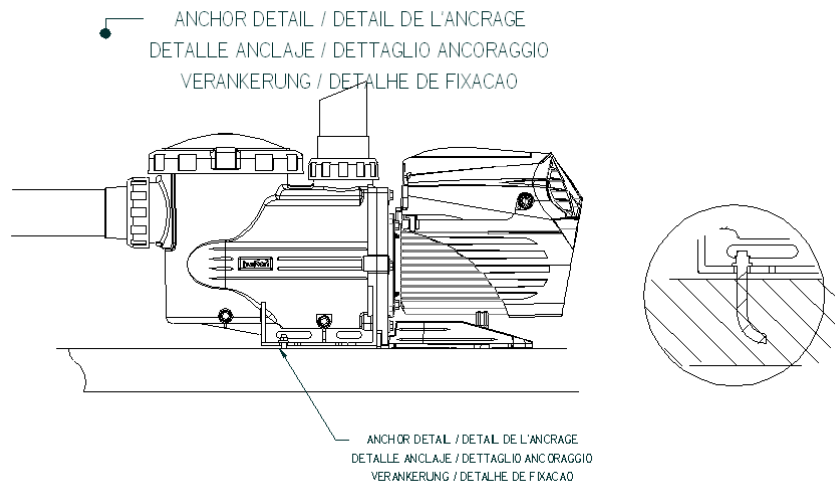


Fig. 2

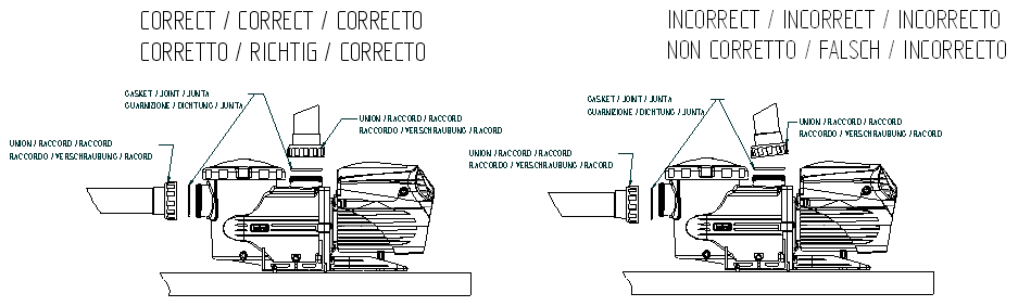


Fig. 3

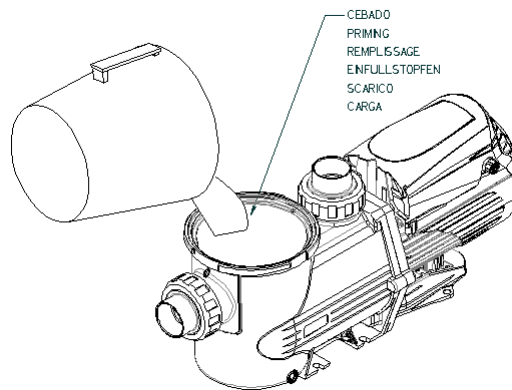




Fig. 4

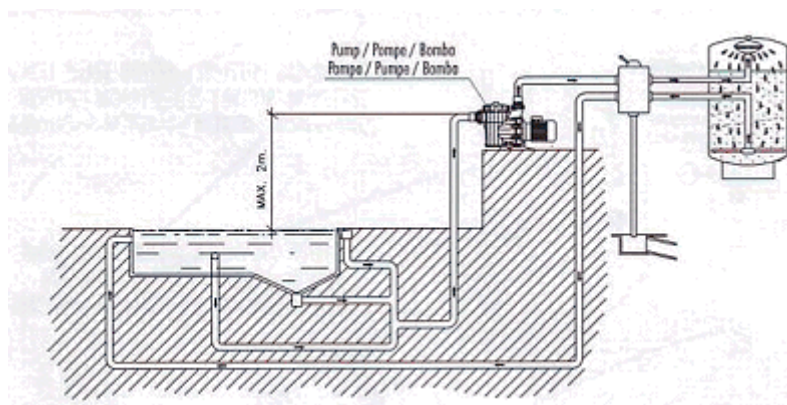
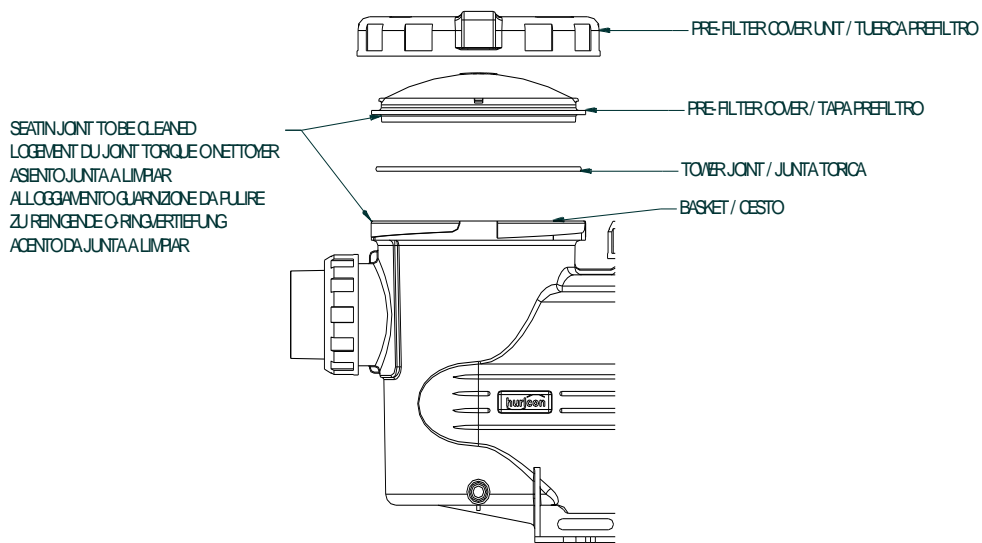


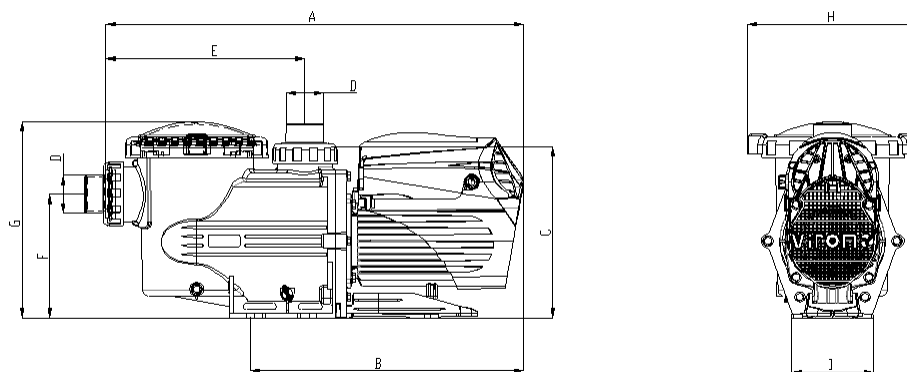
Fig. 5



CARACTERÍSTICAS TÉCNICAS

CARACTERÍSTICAS TÉCNICAS / DATI TECNICI

TECHNISCHE ANGABEN / CARACTERÍSTICAS TÉCNICAS



COD.	Cv	A	B	C	E	F	G	H	I	D
56550	1 II	622	480	300	346	215	345	300	120	50
56551	1 II	720	480	300	346	215	345	300	120	50
56552	2 II	720	480	300	346	215	345	300	120	50

## INSTALAÇÃO

Este aparelho tem de ser instalado por um técnico especializado em montagem de bombas para piscinas. Ao instalar o aparelho, certifique-se de que todas as peças estão instaladas na área correta, de acordo com as regras de cablagem. Especificamente, tem de estar em conformidade com as normas AS / NZS 3000 (Austrália) e EN 60364 (EU).

### A. Planear o posicionamento da bomba para que:

1. Não haja transbordamento de água, como por exemplo num poço, numa cova de jardim, vala ou no fundo de um aterro.
2. Numa base estável para que:
  - a) A bomba não fique suspensa pelos respectivos fixadores; provocando uma fuga ou falha com perda de água.
  - b) O movimento provocado por vibrações é restringido.
  - c) Não seja exercida força sobre a tubagem de ligação ou outro equipamento caro.
3. Esteja acessível para manutenção e remoção fácil para assistência técnica.
4. Espaço para respirar. A bomba não deverá ter demasiada água, o que impedirá o fluxo de ar de refrigeração da ventoinha. O sobreaquecimento provocado pela falta de arrefecimento anula a garantia.
5. A bomba tem de estar perto do ponto de alimentação, sem necessidade de extensões / fichas; passíveis de serem corroídas, haver um curto-circuito, etc.
6. A uma altura mínima da elevação da sucção da água, a partir da superfície da piscina para a entrada da bomba.

- B. Para melhorar o desempenho da bomba, manter o comprimento do tubo de sucção o mais curto possível, com um número mínimo de curvas. Utilizar também um tubo de retorno e sucção em PVC de elevada pressão com 50mm. Todos os equipamentos, como por exemplo, filtros, aquecedores e cloradores de sal, têm de ter no mínimo ligações de 50 mm.
- C. Fixar as uniões do cilindro fornecidas na instalação da tubagem anexa, utilizado líquido de pré-tratamento e solvente aprovados como prática normal, revestir ambas as superfícies. **NOTA:** Utilizar sempre luvas de protecção quando manusear e utilizar cola e líquido para pré-tratamento. Assegurar que não escorre demasiada cola para dentro da união que afecta as capacidades de selagem ou remoção. Aguardar 24 horas antes de ligar a bomba. Não utilizar cola “ecológica” nas uniões do cilindro. A sua utilização pode provocar danos no material ABS utilizado no fabrico das uniões.
- D. Se a bomba estiver colocada abaixo do nível de água da piscina, instalar as válvulas de isolamento antes da secção da bomba e depois do equipamento.
- E. Para instalações da bomba 500 mm acima do nível da água, normalmente exige a colocação de uma válvula de pé na piscina ou uma válvula de retenção na linha de sucção. As linhas de sucção têm de ser instaladas abaixo do nível da água, mesmo em frente da localização da bomba e do elevador vertical utilizado para alcançar a entrada da bomba. As bombas AstralPool foram concebidas para uma pressão máxima de 25 metros, no entanto, deve consultar a placa informativa da sua bomba para ficar a conhecer a pressão que pode alcançar.
- F. Todas as bombas têm um funcionamento mais silencioso e um desempenho mais eficaz, se for aprumado horizontalmente um tubo recto de 450 mm na parte frontal da bomba.
- G. A temperatura da água não pode exceder os 45 graus.
- H. As bombas podem ser:
  - Alimentadas por um transformador de isolamento ou
  - Alimentadas através de um dispositivo de corrente residual (RCD – Residual Current Device), com uma corrente de funcionamento residual nominal que não exceda os 30 mA.

**Advertência: As bombas Viron incluem microchips e PCBs. É necessário desligar completamente a bomba durante 10 segundos, antes de a voltar a ligar. Algumas marcas de cloradores de sal podem derramar uma pequena quantidade de pó para o interior da bomba Viron, mesmo que esteja seleccionado o modo de bomba desligada. Se tal acontecer, a bomba Viron poderá não reiniciar correctamente e pode ser necessário desligar completamente a bomba. Em alguns casos, o fabricante destes cloradores de sal poderá ser capaz de remover ou alterar um condensador que desligará completamente a alimentação da bomba quando desligada. Caso contrário, poderá ser necessário comprar um clorador de sal adequado. Os cloradores de sal AstralPool desligam completamente a bomba, quando é seleccionado o modo de bomba desligada.**

## FUNCIONAMENTO

---

1. Realizar o enchimento da bomba se o compartimento para os cabelos e algodão estiverem vazios da seguinte forma - fechar a válvula da linha de sucção, caso exista. Retirar a tampa do compartimento para o algodão. Encher o compartimento e a câmara para o algodão com água. Voltar a colocar e fechar a tampa do compartimento para o algodão e selar.
2. Abrir todas as válvulas e permitir que a água circule através da bomba.
3. Ligar a bomba para o motor arrancar.
4. Se não houver um fluxo de água no espaço de meio minuto, desligar a voltagem e ligar a bomba. Se a bomba não encher após três tentativas, verificar se todas as ligações de sucção estão vedadas. Se estiverem em boas condições, é necessário utilizar uma válvula de retenção ou de pé para a bomba encher de água.
5. Se a água fluir através do tubo, é sempre demorado conseguir ligar a bomba depois de limpar o cesto para o algodão, é recomendado voltar a examinar o sistema para verificar e corrigir o problema. Por exemplo Verificar as válvulas, fugas de ar, selagem deficiente, tampa rachada do compartimento para o algodão, etc.
6. A bomba Viron eVo dispõe de 3 predefinições de velocidades – baixa, média e alta. A opção de velocidade alta deverá ser utilizada durante a aspiração ou limpeza manual da piscina, utilização de jatos de água em Spas ou em cascatas. A opção de velocidade média pode ser utilizada para jatos de água suaves em Spas, quando o aparelho de limpeza por sucção está ligado ao dispositivo para remoção de gordura ou filtragem da piscina. A opção de velocidade baixa é a definição recomendada para a filtragem diária da piscina quando não está ligado um aparelho de limpeza.
7. A bomba Viron eVo liga-se automaticamente na opção de velocidade alta durante os 5 primeiros minutos, para ajudar na operação de enchimento e encher substancialmente com água o compartimento para os cabelos e algodão. Após 5 minutos, a bomba volta para a última velocidade definida antes de a bomba ter sido desligada.
8. Durante o funcionamento normal da bomba, é recomendado que esta funcione na opção de velocidade baixa durante 12 horas por dia. Desta forma, terá custos de funcionamento mais reduzidos, bem como um nível de ruído mais baixo. Se a sua piscina tiver zonas onde a água não está a ser recirculada quando a bomba está na opção de velocidade baixa, aumentar a velocidade.

**Notas:** O aparelho não foi concebido para ser utilizado por crianças ou pessoas doentes, com aptidões físicas, sensoriais ou mentais reduzidas ou falta de experiência e conhecimento, a menos que sejam vigiadas ou informadas sobre a forma como o aparelho funciona por parte de uma pessoa responsável pela sua segurança.

Certificar que as crianças são vigiadas para assegurar que não brincam com a bomba.

Para evitar que existam riscos de segurança, se o cabo de alimentação estiver danificado, só pode ser substituído pela AstralPool, por seu técnico de assistência ou por pessoa igualmente qualificada.

### Período de funcionamento

Na opção de velocidade baixa a nossa bomba Viron faz muito pouco ruído e é pouco provável que incomode a si ou aos seus vizinhos. Geralmente, a sua bomba de filtragem da piscina deverá funcionar pelo menos 8 horas por dia, a fim de realizar uma limpeza adequada da piscina (reduzindo assim a quantidade de resíduos que se depositam no fundo da piscina) e para permitir que o clorador de sal produza cloro suficiente para desinfetar com eficácia a sua piscina.

**Ocorre uma poupança maior de energia quando se utiliza a bomba durante longos períodos de tempo à velocidade mais baixa, em vez de utilizar a bomba durante curtos períodos de tempo a uma velocidade mais alta.**

## SELECÇÃO DAS VELOCIDADES ADEQUADAS

---

Regras gerais:

- O volume total da água na sua piscina terá de ser substituída pelo menos uma vez por dia.
- Se a bomba for utilizada durante longos períodos de tempo, poderá reduzir o funcionamento do seu clorador de sal para um nível inferior. Verificar com frequência o nível de cloro do seu clorador de sal para assegurar que não coloca cloro de mais ou de menos na sua piscina.
- **Velocidade baixa** é uma predefinição e é a definição recomendada para a sua velocidade de fluxo de filtração diária – suficiente para mudar suavemente a água uma vez por dia e fazer circular completamente a água em volta da piscina.
- **Velocidade média** é uma predefinição normalmente utilizada para definir como a sua velocidade de fluxo especial. Por exemplo, um sistema de limpeza interior necessita de pressões e velocidades de fluxo superiores para funcionar, pelo que pode ser definida a velocidade média para ser utilizada pelo sistema de limpeza interior. Outras velocidades de fluxo com um objectivo específico podem incluir, mas não se limitam a: utilização de jactos de água em Spas, funcionamento em cascatas ,ou parques aquáticos e ainda em aparelhos de limpeza por sucção de piscinas.
- **Velocidade alta** é uma predefinição que é normalmente utilizada para lavar em contracorrente o filtro da areia. Em termos práticos, esta velocidade deve ser definida, de modo a que o valibrador existente no filtro mostre uma pressão compreendida entre 70 kPa e 100 kPa, no entanto, isso depende do tamanho do filtro e do tamanho e comprimento da tubagem de lavagem em contracorrente.

Em condições climáticas mais quentes ou quando a piscina é muito utilizada, a bomba deverá funcionar pelo menos 12 horas por dia ou mais. Verificar os níveis de cloro e inspeccionar visualmente a água para se certificar de que (a) há cloro suficiente na piscina e (b) a água na sua piscina tem um aspecto límpido e convidativo. Se tiver alguma dúvida, levar uma amostra de água à loja local de artigos para piscina, para fazer uma análise à água.

Exemplos de selecção da velocidade durante o funcionamento e utilização da bomba Viron P280 ou P300 eVo:

Função	Velocidade
Aspiração de piscinas ou Spas	Velocidade alta
Utilização de jactos de água em Spas	Velocidade alta
Utilização em cascatas ou parques aquáticos	Velocidade média ou alta, dependendo do efeito exigido
Limpeza da piscina com Cloudy Water	Até 24 horas a velocidade alta
Filtração geral	Velocidade baixa (8 horas no Inverno, 8 a 12 horas no Verão)

Alguns conselhos:

A bomba P320 disponibiliza entre 15.000 e 18.000 litros por hora na opção velocidade alta, dependendo da instalação da tubagem, válvulas, tamanho do filtro e outro equipamento instalado na sua piscina. Na opção velocidade baixa, a predefinição da velocidade do fluxo é aproximadamente de 7.500 litros por hora. **A opção velocidade baixa utiliza aproximadamente 10% do consumo de energia** utilizado pela opção velocidade alta. Portanto, utilizar a bomba 8 horas por dia, permite recircular toda a água de uma piscina com 60.000 litros de água.

A bomba P600 disponibiliza cerca de 36.000 litros por hora (12.000 litros por minuto) na opção velocidade altav, dependendo da instalação da tubagem e da opção velocidade baixa predefinida pelo fabricante a 1125 RPM. Isto é suficiente para mudar a água de uma piscina com 96.000 litros uma vez por dia.

Por norma, a velocidade baixa deverá conseguir um desengorduramento visível da superfície da piscina através da caixa do dispositivo de remoção de gordura. Quando ligar a bomba a um clorador de sal (compatível com as normas da AstralPool) ou ao sistema de controlo táctil de ligação para as bombas Viron; recomendamos que durante uma hora por dia, o período de filtração funcione pelo menos à velocidade média para conseguir uma circulação integral da água e uma remoção eficaz da gordura da piscina. O balanço do ciclo de filtragem pode ser definido na opção velocidade baixa.

No entanto, se a sua piscina acumular sujidade à superfície, como por exemplo o crescimento de algas, poderá ter de aumentar a opção velocidade baixa da sua bomba, para assegurar uma circulação da água e cloro adequadas em todas as partes da sua piscina.

É importante que verifique os níveis de cloro, pH e outros parâmetros para assegurar se a qualidade da água da piscina é boa antes de ajustar a velocidade da sua bomba. Recomendamos que estas verificações sejam realizadas por funcionário especializado da loja de artigos para piscina mais próxima ou por um técnico qualificado.

## **FUNCIONAMENTO DO PAINEL DE CONTROLO - VIRON P320 E P600 EVO**

---

As bombas Viron P320 e P600 eVo têm incorporado um ecrã com retroiluminação LCD, com as seguintes funções:

Relógio em tempo real incorporado:

- Programável para até quatro períodos de temporização por dia
- Os períodos de temporização podem ser desactivados e seleccionados 1,2,3 ou 4 períodos
- Velocidades diferentes (baixa, média e alta) para cada período de temporização
- Apresenta as rotações por minuto (RPM) actuais e as opções velocidade baixa, velocidade média e velocidade alta podem ser ajustadas da forma mais adequada para a sua piscina
- O relógio em tempo real e os períodos de temporização podem ser desactivados, se a bomba for ligada a um relógio em tempo real externo
- Pode ser programado por um controlo remoto ou clorador AstralPool, para funcionar a diferentes velocidades consoante as horas do dia
- Permite que a velocidade de enchimento (arranque) possa ser ajustável e o tempo da velocidade de arranque possa ser alterado de 2 minutos até 120 minutos

Painel de controlo das bombas Viron eVo




## FUNCIONAMENTO DO PAINEL DE CONTROLO – VIRON P320 E P600 EVO (CONTINUAÇÃO)




---

Usar o temporizador incorporado para utilizar a bomba com um clorador de sal AstralPool ou um doseador e-Quilibrium


### Predefinição do fabricante

1. Os temporizadores incorporados estão activados e controlam o tempo em que a bomba funciona.
2. A ligação aos cloradores de sal (em conformidade com as normas da AstralPool), aos controladores de dosagem química e-Quilibrium ou aos controlos remotos de ligação Viron está “desactivada”.
3. Premir o botão  “auto” para ligar e desligar a bomba. Quando alinhada, a bomba permanece desligada até ao próximo período de temporização, a menos que o botão “auto” seja novamente premido para ligar manualmente a bomba. Se a bomba for ligada manualmente, continuará a funcionar indefinidamente. Na posição “Off” (visível no LCD), a bomba continuará desligada indefinidamente. Para o temporizador funcionar, assegurar que o botão “auto” foi premido, para que o ecrã LCD apresente a mensagem “auto”.

### Definição do tempo actual

1. Se a bomba estiver ligada a um clorador de sal em conformidade com as normas da AstralPool ou a um controlador de dosagem e-Quilibrium; ligar o cabo de dados entre a parte traseira da bomba e o clorador de sal ou o doseador e-Quilibrium.
2. Ligar o cabo e activar a bomba e o clorador de sal (ou o doseador).
3. Percorrer o MENU (duas vezes) até aparecer “CLK” no ecrã LCD e premir o botão ENTER para definir o tempo. Utilizar as setas  para cima e baixo  para definir a hora, premir o botão ENTER para definir os minutos e, de seguida, voltar a premir o botão ENTER para definir AM ou PM.
4. Prima o botão  ENTER para aceitar.
5. O ecrã LCD emite rapidamente uma luz 3 vezes para indicar que a nova definição foi aceite.

### Definir a bomba para funcionar independentemente do clorador de sal externo (em conformidade com as normas da AstralPool) ou do sistema de controlo

1. Percorrer o MENU até aparecer “CONF” no ecrã LCD.
2. Premir e manter premido ENTER durante 3 segundos. Aparecerá “TMRS”.
3. Premir o botão ENTER.
4. Premir os botões Up ou Down para activar o “TMRS”.
5. Premir o botão ENTER para aceitar a alteração.
6. Premir o botão  “auto” para voltar para o menu principal.

### Alterar as definições das opções velocidade baixa, velocidade médiam e velocidade alta

1. Seleccionar o botão de velocidade para ajustar a velocidade baixa, velocidade média e velocidade alta. O respectivo LED acende.




2. Utilizar as setas para cima e para baixo para aumentar a velocidade em incrementos de 25 RPM; até que a velocidade pretendida seja apresentada no ecrã LCD. Aparecem as velocidades “Speed 1”, “Speed 2” ou “Speed 3” no ecrã LCD.
3. A nova velocidade seleccionada será guardada automaticamente após 2 segundos. O ecrã LCD deixa de emitir luz para assinalar que a nova velocidade foi guardada.

### **Definição dos períodos de temporização da filtração**

1. Premir MENU para aceder à definição PRIM.
2. O período de enchimento está predefinido para 5 minutos a uma velocidade alta. Recomendamos que se a sua bomba estiver instalada ao nível da água ou abaixo deste que altere a definição PRIM para 2 minutos. Premir o botão ENTER e, de seguida, as setas para cima e para baixo, a fim de alterar a velocidade de enchimento. Premir o botão ENTER para aceitar a alteração. O período de enchimento será apresentado no ecrã LCD.
3. Utilizar as setas para cima e para baixo para alterar o período de enchimento. Premir o botão ENTER para aceitar a alteração.
4. Premir MENU para ir para as “definições do temporizador” do TMR e premir ENTER para alterar.
5. A temporização 1 é predefinida para começar às 8 horas. Utilize as setas para cima e para baixo para alterar. Premir as opções High, Medium ou Low para seleccionar a velocidade da bomba durante o período de temporização 1. No ecrã LCD a velocidade baixa é representada por “speed 1”, a velocidade média por “speed 2” e a velocidade alta por “speed 3”.
6. Premir o botão ENTER para se deslocar para a paragem ou final do período de temporização 1. Utilizar as setas para cima e para baixo para alterar o final do período de temporização 1.
7. Aparece o período de temporização 2 no ecrã LCD. Repetir as instruções 4 a 6. Acima indicadas.
8. O período de temporização 3 aparece no ecrã LCD, mas está predefinido para desactivado. Definir qualquer período de temporização para a meia-noite, faz com que esse período de temporização seja desactivado. Utilizar as setas para cima e para baixo para activar o período de temporização e, de seguida, repetir as instruções 4 e 5 acima indicadas.
9. O período de temporização 4 é também predefinido para desactivado, mas pode ser activado através da utilização das setas para cima e para baixo.
10. Não esquecer de seleccionar a velocidade pretendida para utilizar a bomba durante cada período de temporização, premindo para tal os botões High, Medium e Low no programa de arranque do período de temporização.

### **Utilizar os temporizadores incorporados na bomba com um clorador de sal não em conformidade ou um doseador.**

1. Não recomendamos a utilização de temporizadores incorporados na bomba quando um clorador de sal não em conformidade ou um doseador químico que esteja a ser abastecido de água por uma bomba Viron P320 ou P600 eVo.
2. Neste caso, o tempo de funcionamento da bomba deverá ser controlado pelo relógio do clorador de sal e pela bomba ligada ao mesmo. Trata-se de uma medida de segurança disponibilizada pela maior parte dos fabricantes de cloradores de sal.
3. Contudo, é importante desactivar os temporizadores incorporados na bomba.
4. Percorrer o MENU até aparecer “CONF” no ecrã LCD.
5. Premir e manter premido ENTER durante 3 segundos.

6. Percorrer o MENU até aparecer “TMR” no ecrã LCD.
7. Premir os botões Up ou Down para desactivar o “TMR”.
8. Premir o botão ENTER para aceitar a alteração.
9. Premir o botão  “auto” para voltar para o menu principal.
10. Quando percorrer o MENU, a opção “TMR” já não aparecerá mais.
11. Já não poderá guardar automaticamente a alteração da velocidade da bomba durante diferentes períodos do dia.
12. No entanto, se pretender que a bomba funcione durante um período de tempo a uma velocidade alta, por exemplo para fazer circular a água vigorosamente durante parte da filtragem diária; pode utilizar a definição PRIMING para o fazer.




**Utilizar o programa de enchimento para fazer circular a água a uma velocidade superior durante parte do ciclo de filtragem diária.**

1. Percorrer o MENU para aceder à definição PRIM.
2. O período de enchimento está predefinido para 5 minutos a uma velocidade alta. Utilizar as setas para cima e para baixo para alterar o período de enchimento para até 120 minutos. Utilizar os botões High, Medium e Low para seleccionar a velocidade pretendida para a bomba funcionar durante o período de enchimento. Neste caso, recomendamos seleccionar o botão de velocidade alta.
3. Prima o botão “auto” para sair do programa.

**Utilizar uma bomba com o controlo externo em conformidade com as normas da AstralPool.**

A AstralPool fabrica cloradores de sal, doseadores químicos e-Quilibrium ou o sistema de controlo táctil de ligação para as bombas Viron; que pode controlar os períodos de funcionamento de todas as bombas Viron eVo e AINDA a velocidade à qual a bomba funciona durante cada período de tempo.

Para as bombas P320 e P600 tem de activar a porta de comunicações e desactivar os temporizadores incorporados na bomba.

1. Percorrer o MENU até aparecer “CONF” (menu de configuração) no ecrã LCD. Premir e manter premido o botão ENTER durante 3 segundos.
2. Percorrer o MENU até aparecer “TMR” no ecrã LCD.
3. Premir os botões Up ou Down para desactivar o “TMR”. Lembrar que agora está a utilizar o controlo externo para definir o tempo de funcionamento da bomba, dete modo, o tempo de temporização da bomba tem de estar desactivado.
4. Premir o botão ENTER para aceitar a alteração.
5. Percorrer o MENU até aparecer “SYS” (sistema) no ecrã LCD. Premir os botões  Up ou Down  para colocar em “ON”. As bombas Viron P320 ou P600 eVo aceitam as instruções de arranque, paragem e velocidade da bomba enviadas a partir do clorador de controlo (em conformidade com as normas da AstralPool), do controlador do doseador e-Quilibrium ou do sistema de controlo táctil de ligação para as bombas Viron.
6. Premir o botão  “auto” para voltar para o menu principal.

7. O tempo ainda poderá ser visível no ecrã LCD, no entanto já não aparece a função de temporizador nas definições do menu. Percorrer o MENU e só aparece PRIM (programa de enchimento), CLK (definição do relógio) e CONF (menu de configuração) no ecrã LCD.
8. Consultar os manuais do clorador (em conformidade com as normas da AstralPool), controlo de dosagem e-Quilibrium ou do sistema de controlo táctil de ligação para as bombas Viron, para obter informações detalhadas sobre a forma de programar a velocidade e o tempo de funcionamento da bomba.

## Mensagens de erro

### Apenas nas bombas P320 e P600

Mensagem de erro (apresentada no ecrã)	Significado
HI T	Sobreaquecimento
HI A	Sobrecorrente
Lo V*	Abaixo da tensão de entrada
BSUC	O motor está preso

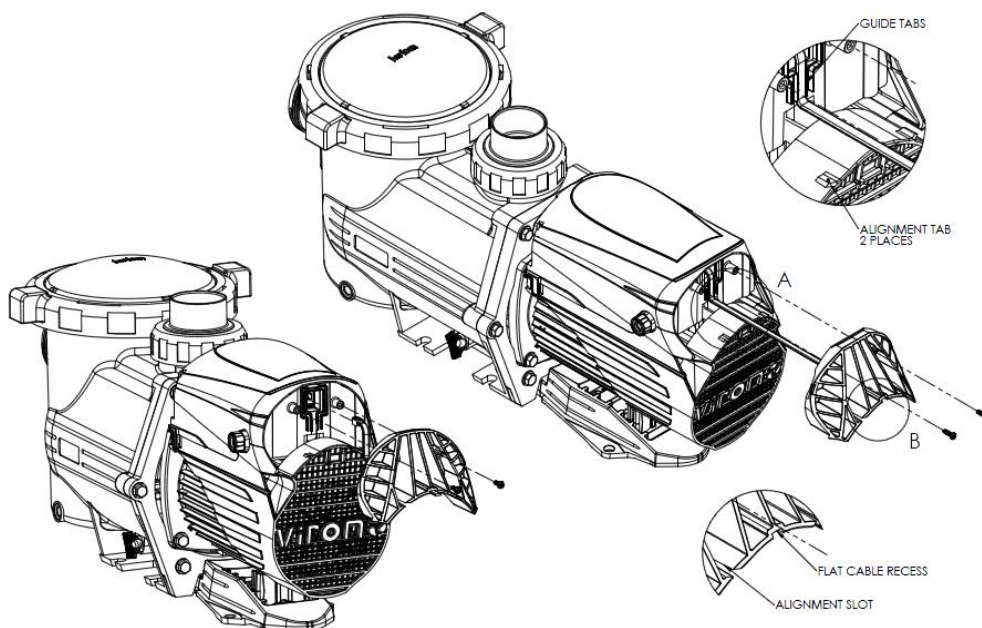
\*Atenção: É normal que durante o arranque da bomba apareça a mensagem de erro “Lo V” por breves instantes.

### **Conector do cabo de dados:**

Se um clorador de sal VX (compatível com as normas da AstralPool), um clorador de sal Viron ou o sistema de controlo táctil de ligação para as bombas Viron, estiver ligado com o cabo de comunicações AstralPool; a velocidade e os períodos de funcionamento da bomba podem ser controlados por estes dispositivos.

As bombas Viron P320 e P600 eVo têm de ter o seu temporizador incorporado desactivado, se os períodos de funcionamento e velocidades das bombas forem utilizados pelo clorador de sal (compatível com as normas da AstralPool), controlador de dosagem e-Quilibrium ou pelo ecrã táctil remoto Viron Connect.

Retirar as 2 protecções da Philips da parte traseira da bomba e a tampa da porta de dados é retirada manualmente. Ligar o cabo plano de cablagem RJ12 6 comprado na AstralPool na parte traseira da bomba e voltar a montar os componentes acima retirados da bomba. Para conseguir uma vedação adequada da bomba, premir o cabo plano por baixo dos separadores de alinhamento (vista A detalhada). Para voltar a colocar a tampa da porta de dados na bomba, alinhar os separadores com as ranhuras e o cabo plano com a reentrância (vista B detalhada).



## FUNÇÕES DE TEMPORIZAÇÃO E VELOCIDADES DO CONTROLO REMOTO

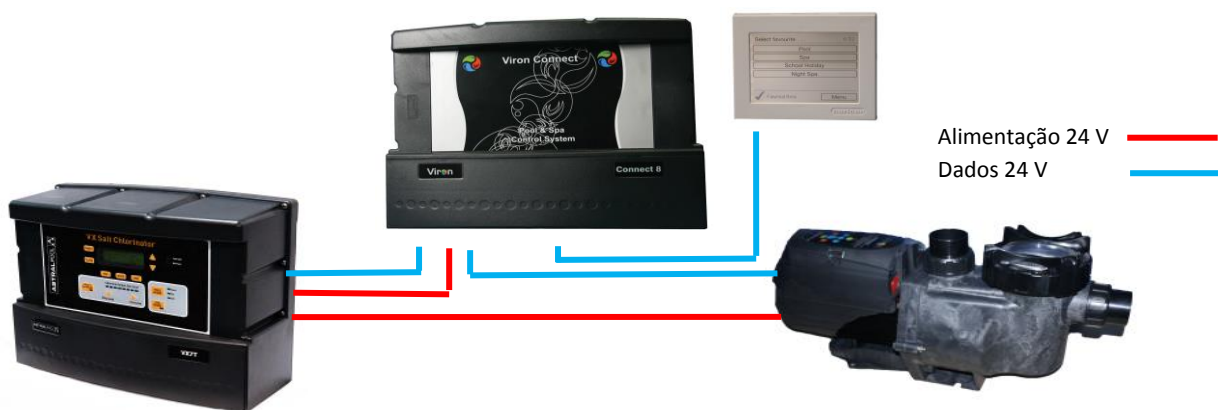
- Bomba Viron eVo autónoma
  - 4 períodos de temporização incorporados na bomba
  - 3 definições de velocidade programáveis
  - A velocidade baixa, média e alta pode ser seleccionada para cada período de temporização
  - O período de enchimento pode ser seleccionado entre 2 e 120 minutos
  - As rotações por minuto (RPM - Rotations Per Minute) de enchimento podem ser seleccionadas entre 1275 e 2850 RPM



- Todas as bombas do modelo Viron eVo e o modelo do clorinador VX ou Viron
  - Os períodos de temporizador configurado no clorinador
  - A velocidade baixa, média ou alta pode ser seleccionada para cada período de temporização
  - A bomba de ligação do cabo de dados para o clorinador através do módulo de interface das comunicações
  - A bomba eVo para configurar com períodos do temporizador desactivados
  - A velocidade da bomba pode ser alterada a partir da bomba (a partir do clorinador no início de 1012)



- Todos os modelos de bombas Viron eVo, modelo clorinador VX S (não temporizado) e sistema controlo remoto Connect Viron
  - Períodos de temporização configurados no controlador
  - 3 definições de velocidade programáveis na bomba
  - Seleccionar velocidade baixa, média ou alta em cada período de temporização
  - Os cabos de dados que ligam à bomba / clorinador / controlador
  - Bomba eVo para ser configurada com os períodos de temporização desactivados
  - A velocidade da bomba pode ser alterada a partir da bomba ou do controlador



## EXEMPLOS DE SELECÇÃO DE VELOCIDADE PARA VIRON P600 EVO

---

Função	Velocidade
Aspiração de piscinas ou Spas	Velocidade média (velocidade alta pode bloquear a mangueira de aspiração)
Utilização de jactos de água em Spas	Velocidade média ou alta
Utilização em cascatas ou parques aquáticos	Velocidade média ou alta, dependendo do efeito exigido
Limpeza da piscina com Cloudy Water	Até 24 horas a velocidade alta
Filtragem geral	Velocidade baixa (8 horas no Inverno, 8 a 12 horas no Verão)
Sistema de limpeza Infloor bomba única	Velocidade média para 2 a 3 horas por dia e velocidade baixa para 5 ou 6 horas por dia
Equipamento de limpeza com pressão compatível	Velocidade alta para 2 a 3 horas por dia e velocidade baixa para 5 ou 6 horas por dia

---

## USAR EQUIPAMENTOS DE LIMPEZA COM SUCCÃO

---

Quando ligar um aparelho de limpeza com sucção para a bomba Viron eVo, é essencial que seja realizado o enchimento completo na bomba antes de ligar a mangueira do equipamento de limpeza. Durante o funcionamento a velocidade baixa a bomba pode apenas operar com enchimento parcial no compartimento de recolha de cabelos e algodão.

Para operar um equipamento de limpeza na sua bomba:

1. Escolher o botão de velocidade (baixo, médio ou elevado) no qual a bomba funcionará quando o equipamento de limpeza por sucção estiver ligado.
2. Permitir que a bomba funcione pelo menos durante 2 minutos para permitir que seja obtido um enchimento completo.
3. Ligar a placa do equipamento de limpeza e a mangueira para sucção das gorduras / parede apenas depois de ter realizado a purga na parte superior do compartimento de recolha dos cabelos e do algodão da bomba Viron.
4. Ajustar a velocidade (com os botões de mais e menos) na qual o equipamento de limpeza deve percorrer todas as zonas da piscina. A velocidade média definida funcionará normalmente com todos os tipos de equipamentos de limpeza por sucção na maioria das piscinas. Se usar a definição de velocidade baixa, será normalmente necessário aumentar a mesma para garantir que o equipamento de limpeza de sucção funciona com fiabilidade.
5. Quando o equipamento de limpeza já não for necessário, desligar e remover a mangueira / placa do referido equipamento do sistema. Selecionar a velocidade de filtragem mais baixa que mantenha a sua piscina limpa.
6. Se substituir ou seleccionar um novo equipamento de limpeza, a AstralPool recomenda um Aquatron Robot Cleaner que funciona independentemente do bomba do filtro e permite que a bomba funcione a uma velocidade que ofereça a maior poupança de energia (e custos).

## USO COM OS AQUECEDORES A GÁS ASTRALPOOL

Os aquecedores a gás (e bombas de aquecimento eléctricas) geralmente recorrem ao interruptor de pressão de água e ao circuito de controlo no aquecedor. Quando uma bomba de velocidade variável está a funcionar a velocidade baixa a pressão de água produzida é geralmente insuficiente para activar o interruptor de pressão e o circuito de controlo no aquecedor.

Se estiver a usar um Aquecedor a Gás AstralPool pode automaticamente aumentar a velocidade da sua bomba Viron eVo para garantir que o interruptor da pressão de água é activado e que o aquecedor obtém fluxo de água suficiente para funcionar correctamente.

Um RJ12 (cabo plano 6 fios) especificamente ligado e obtido do AstralPool que ligará a bomba ao aquecedor. Consultar o Manual de Instruções do Aquecedor para detalhes da ligação do cabo de dados.



A bomba Viron quando ligada ao Aquecedor Viron ou outro Aquecedor AstralPool através do cabo RJ12	
Estado do aquecedor Viron	Resposta da bomba Viron
Quando o aquecedor está desligado	Funciona à velocidade predefinida.
Quando ligado mas não aceso	Funciona a uma velocidade média. O utilizador pode usar os botões para seleccionar apenas velocidade média ou alta (botão de velocidade baixa está inactivo). O período de arranque é cancelado.
Quando a chama acende pela primeira vez	Funciona a alta velocidade. O utilizador não pode alterar a velocidade da bomba.
Quando a chama de apaga	Funciona à velocidade predefinida ou à velocidade média se o aquecedor estiver ligado.

A bomba Viron quando ligada ao Aquecedor Viron ou outro Aquecedor AstralPool através do Viron Connect	
Estado do aquecedor Viron	Resposta da bomba Viron
Quando o aquecedor está desligado	Funciona à velocidade no manual do utilizador ou à velocidade predefinida escolhida quando o funcionamento é controlado por temporizadores.
Quando ligado mas não aceso	Muda para a velocidade mais alta que é configurada pelo utilizador na Configuração da Instalação (a velocidade "Aquecedor Ligado"); ou, a velocidade

	do temporizador actual. O utilizador não pode mudar para velocidade baixa.
Quando a chama acende pela primeira vez	Funciona a alta velocidade. O utilizador não pode alterar a velocidade da bomba.
Quando a chama de apaga	Funciona à velocidade no manual do utilizador ou à velocidade predefinida escolhida quando o funcionamento é controlado por temporizadores.

## MANUTENÇÃO

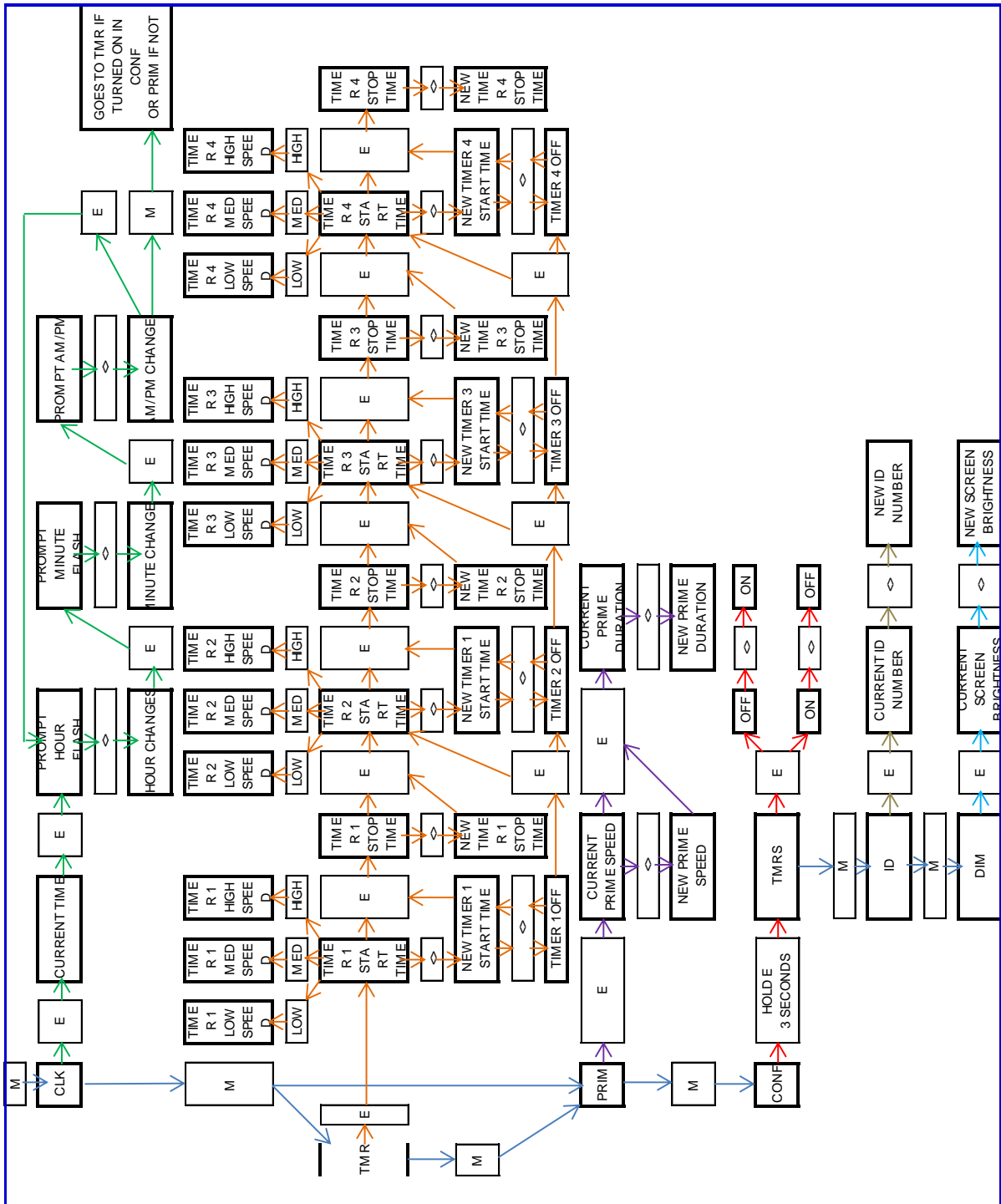
**Programação de Manutenção:** O seu novo produto integra peças de movimento e suporta água a alta velocidade com produtos químicos incorporados. Algumas destas partes sofrem desgaste durante o uso normal e necessitam de verificações e manutenção regulares. Efectuar estas verificações e manutenção identificaráas partes com desgaste e que necessitam de reparação / substituição antes que ocorram danos mais graves. Um cuidado e atenção regular do equipamento da sua piscina ajudará a garantir vida duradoura e um desempenho sem problemas.

Temporizador	Verificação de manutenção	Acção de reparação (se necessário)
Semanalmente ou mais cedo	Verificar e esvaziar o compartimento dos cabelos e cotão	Esvaziar as folhas e os resíduos
Trimestralmente	Verificar o O-ring e entrada da tampa / os O-rings de saída para fugas	Isolar a bomba, desligar a alimentação, limpar e desengordurar os O-rings ou substituir se necessário
Trimestralmente	Verificar em volta relativamente a folhas, resíduos e derramamento	Remover os resíduos e rectificar se existir algum derrame
Trimestralmente	Verificar para fugas na bomba subterrânea	Contactar o técnico de reparação, reparar ou substituir vedante mecânico e os rolamentos se necessário

**Nota importante:** A manutenção regular é importante para garantir uma longa duração e desempenho sem problemas do seu equipamento de piscina. Se não for possível efectuar a manutenção autonomamente, contactar os serviços locais da AstralPool que providenciarão um técnico qualificado para efectuar a manutenção.



# DIAGRAMA DE FLUXO DE CONTROLO VIRON EVO



## CERTIFICADO DE GARANTIA

### 1. ASPECTOS GERAIS

- 1.1. De acordo com estas disposições, o vendedor garante que o produto Astral correspondente a esta garantia (“o Produto”) não apresenta nenhuma falta de conformidade no momento da sua entrega.
- 1.2. O Período de Garantia para o produto é de dois (2) anos e é calculado desde o momento da sua entrega ao comprador.
- 1.3. Se se produzir uma falta de conformidade do Produto e o comprador a notificar ao vendedor durante o Período de Garantia, o vendedor deverá reparar ou substituir o Produto à sua própria custa no lugar que considere oportuno, salvo se isso for impossível ou desproporcionado.
- 1.4. Quando não se possa reparar ou substituir o Produto, o comprador poderá pedir uma redução proporcional do preço ou, se a falta de conformidade é suficientemente importante, a resolução do contrato de venda.
- 1.5. As partes substituídas ou reparadas em virtude desta garantia não ampliarão o prazo da garantia do Produto original, embora disponham da sua própria garantia.
- 1.6. Para a efectividade da presente garantia, o comprador deverá acreditar a data de aquisição e entrega do Produto.
- 1.7. Quando tenham transcorrido mais de seis meses desde a entrega do Produto ao comprador e este alegue falta de conformidade daquele, o comprador deverá acreditar a origem e a existência do defeito alegado.
- 1.8. O presente Certificado de Garantia não limita ou pré-julga os direitos que correspondam aos consumidores em virtude de normas nacionais de carácter imperativo.

### 2. CONDIÇÕES PARTICULARES

- 2.1. A presente Garantia cobre os produtos da família “Bombas de filtragem” de Astral Pool.
- 2.2. O presente Certificado de Garantia será de aplicação unicamente nos países da União Europeia.
- 2.3. Para a eficácia desta garantia, o comprador deverá seguir rigorosamente as indicações do Fabricante incluídas na documentação que acompanha o Produto, quando esta resulte aplicável segundo a gama e modelo do Produto.
- 2.4. Quando se especificar um calendário para a substituição, manutenção ou limpeza de certas peças ou componentes do Produto, a garantia só será válida quando se tenha seguido correctamente o referido calendário.

### 3. LIMITAÇÕES

- 3.1. A presente garantia só será de aplicação nas vendas realizadas a consumidores, entendendo-se por “consumidor”, aquela pessoa que adquire o Produto com fins que não entram no âmbito da sua actividade profissional.
- 3.2. Não se outorga nenhuma garantia a respeito do normal desgaste por uso do produto. Em relação com as peças, componentes e/ou materiais fungíveis ou consumíveis como fechos mecânicos, rolamentos e elementos de estancidade se estará de acordo com o disposto na documentação que acompanhe o Produto, no seu caso.
- 3.3. Ficam fora do alcance da presente garantia os elementos acessórios ao produto “Bomba de filtragem” não incluídos explicitamente com ele, tais como armários de manobra, transformadores, equipamentos de protecção, etc.

3.4. Estão cobertos pela garantia as falhas no produto originadas única e exclusivamente por defeito de materiais e/ou mão de obra. A garantia não cobre aqueles casos em que o Produto: (i) tenha sido objecto de um tratamento incorrecto; (ii) tenha sido instalado, reparado, mantido ou manipulado por pessoa não autorizada ou (iii) tenha sido reparado ou mantido com peças não originais. Fica fora do alcance da presente garantia as deteriorações originadas por usos acidentais ou inadequados como:

- Funcionamento da bomba em seco
- Dosagem incorrecta dos produtos químicos na piscina.
- Danos de água procedente de elementos exteriores às condições de bombeamento.
- Ventilação inadequada.
- Uso em aplicações diferentes da filtragem de água em piscinas.

3.5. Quando a falta de conformidade do Produto seja consequência de uma incorrecta instalação ou início de funcionamento, a presente garantia só responderá quando a referida instalação ou início de funcionamento estiver incluída no contrato de compra-venda do Produto e tenha sido realizada pelo vendedor ou sob a sua responsabilidade.



**INST341**