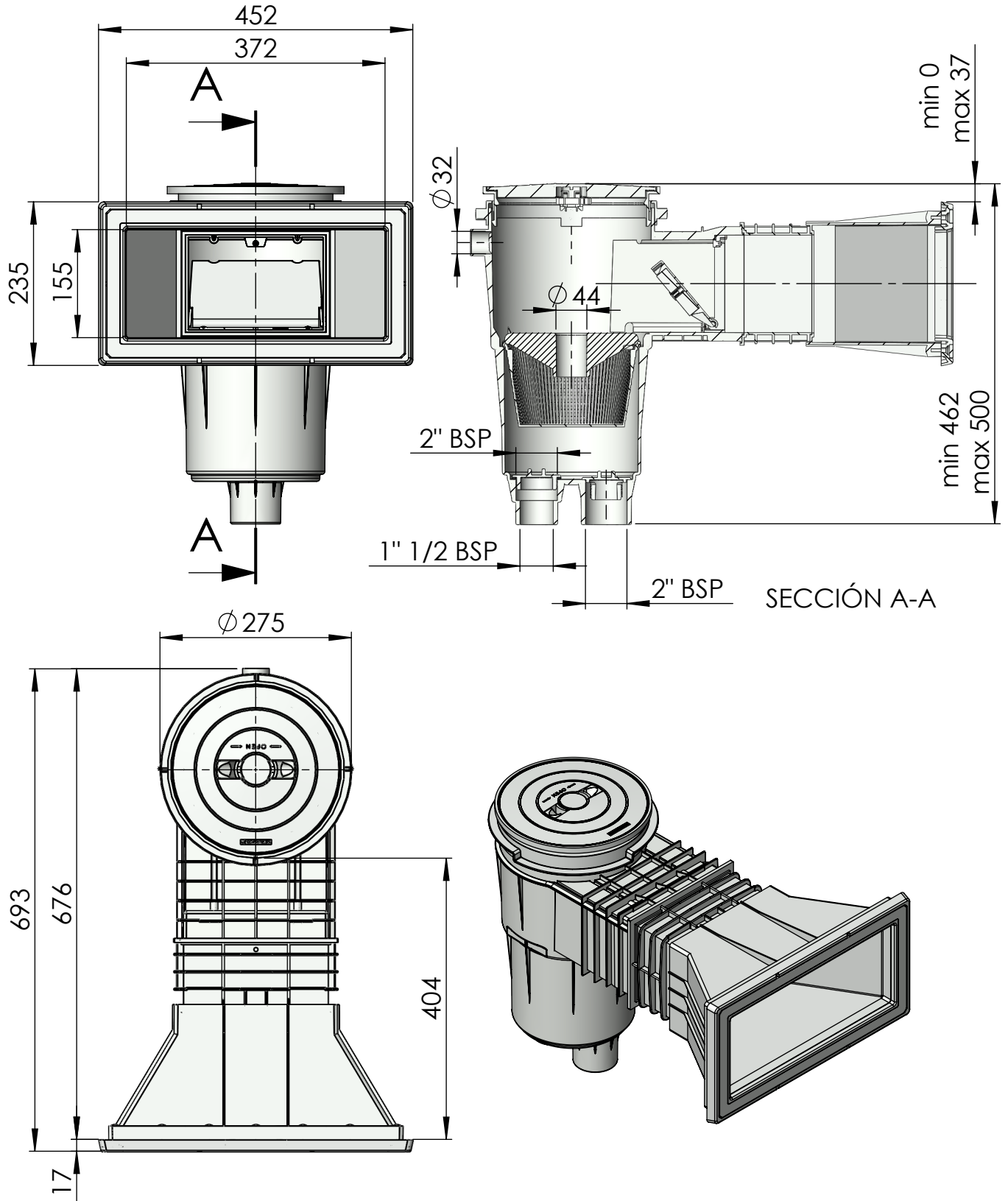


CODIGO / CODE: **05283**  
DESCRIPCION: **SKIMMER 17,5L PF ALLARGO B.AMPLE T.CIR**  
DESCRIPTION: **17,5L SKIMMER WITH EXT. WIDE THROAT**



Nota: Unidades en mm  
Note: Units in mm