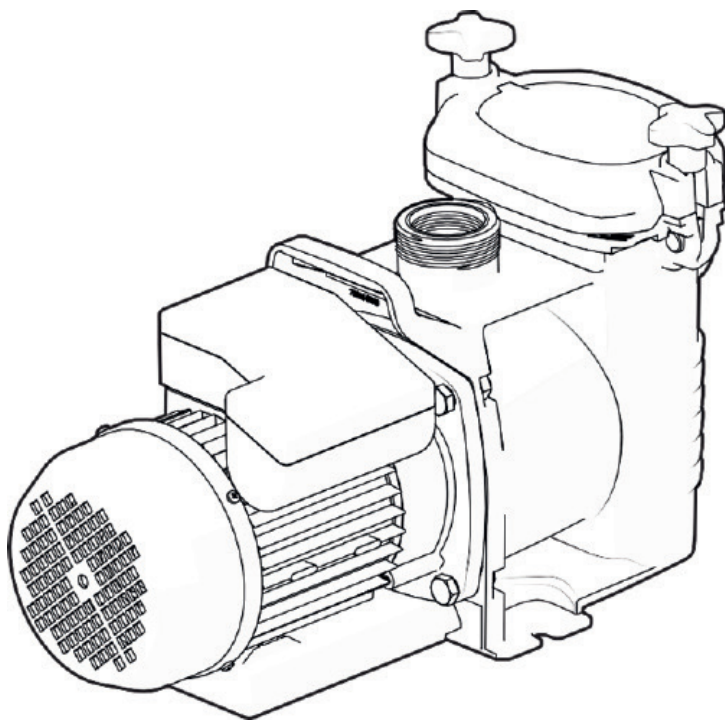


INSTALLATION AND MAINTENANCE MANUAL
MANUEL D'INSTALLATION ET D'ENTRETIEN
MANUAL DE INSTALACIÓN Y MANTENIMIENTO
MANUALE DI INSTALLAZIONE E MANUTENZIONE
EINBAU-UND BETRIEBSANLEITUNG
INSTALLATIE EN ODERHOUD HANDLEIDING
MANUAL DE INSTRUÇÕES E MANUTENÇÃO

ORIGINAL INSTRUCTIONS
INSTRUCTIONS D'ORIGINE
INSTRUCCIONES ORIGINALES
ISTRUZIONI ORIGINALI
ORIGINAL ANLEITUNG
ORIGINELE INSTRUCTIES
INSTRUÇÕES ORIGINAIS



SWIMMING POOL PUMPS
POMPES POUR PISCINES
BOMBAS PARA PISCINAS
POMPA PER PISCINAS
PUMPEN FÜR SCHWIMMBECKEN
ZWEMBADPOMPEN
BOMBAS PARA PISCINAS

EAC  CE

ASTRAL POOL 

SENEXT XP

English - SWIMMING POOL PUMPS INSTALLATION AND GENERAL MAINTENANCE MANUAL	3
Français - POMPES POUR PISCINES MANUEL D'INSTALLATION ET MAINTENANCE GÉNÉRALE	17
Español - BOMBAS PARA PISCINAS MANUAL DE INSTALACIÓN Y MANTENIMIENTO GENERAL	31
Italiano - POMPE PER PISCINE MANUALE DI INSTALLAZIONE E MANUTENZIONE GENERALE	45
Deutsch - PUMPEN FÜR POOLS ALLGEMEINES INSTALLATIONS- UND WARTUNGSHANDBUCH	59
Nederland - ZWEMBADPOMPEN INSTALLATIE- EN ALGEMEEN ONDERHOUDSHANDLEIDING	73
Português - BOMBAS PARA PISCINAS MANUAL DE INSTALAÇÃO E MANUTENÇÃO GERAL	87



Recycling

This symbol is required by European Community Directive 2012/19/UE on WEEE (Waste Electrical and Electronic Equipment) and means that your appliance must not be thrown into a normal bin. It will be selectively collected for the purpose of reuse, recycling or transformation. Any substances it may contain which are potentially dangerous to the environment shall be eliminated or neutralised. Request information on recycling procedures from your retailer.

Recyclage

Ce symbole requis par la directive européenne DEEE 2012/19/UE (directive relative aux déchets d'équipements électriques et électroniques) signifie que votre appareil ne doit pas être jeté à la poubelle. Il fera l'objet d'une collecte sélective en vue de sa réutilisation, de son recyclage ou de sa valorisation. S'il contient des substances potentiellement dangereuses pour l'environnement, celles-ci seront éliminées ou neutralisées. Renseignez-vous auprès de votre revendeur sur les modalités de recyclage.

Reciclaje

Este símbolo es exigido por la Directiva 2012/19/UE de la Comunidad Europea sobre RAEE (residuos de aparatos eléctricos y electrónicos) e indica que no se debe tirar el aparato al contenedor normal. Habrá que realizar una recogida selectiva con el fin de reutilizarlo, reciclarlo o transformarlo y de eliminar o neutralizar cualquier sustancia que pueda contener y sea potencialmente peligrosa para el medio ambiente. Pida información sobre los procesos de reciclaje en su punto de venta.

Riciclaggio

Questo simbolo è richiesto dalla Direttiva della Comunità Europea 2012/19/UE sui RAEE (rifiuti di apparecchiature elettriche ed elettroniche) e indica che il dispositivo acquistato non deve essere gettato in un normale cestino. Sarà invece oggetto di raccolta differenziata a scopo di riutilizzo, riciclaggio o trasformazione. Qualora il medesimo contenesse delle sostanze potenzialmente nocive per l'ambiente occorre eliminarle o neutralizzarle. Per ulteriori informazioni sulle procedure di riciclaggio rivolgersi al proprio rivenditore.

Recycling

Dieses Symbol ist nach der Richtlinie der Europäischen Gemeinschaft 2012/19/UE über EEAG (Elektro- und Elektronikgeräte-Abfall) vorgeschrieben und bedeutet, dass das Gerät nicht im normalen Müll entsorgt werden darf. Es wird separat zur Wiederverwendung, zum Recyclen oder zur Umbearbeitung gesammelt. Alle möglicherweise enthaltenen Substanzen, die potenziell umweltschädlich sind, werden beseitigt oder neutralisiert. Fordern Sie Informationen zu Recycling-Verfahren bei Ihrem Händler an.

Recycling

Dit symbool is verplicht volgens de Europese richtlijn 2012/19/EU betreffende AEEA (afgedankte elektrische en elektronische apparatuur) en betekent dat dit apparaat niet met het gewone huisvuil mag worden verwijderd. Het moet afzonderlijk worden opgehaald om te worden hergebruikt, gerecycled of getransformeerd. Als het stoffen bevat die schadelijk kunnen zijn voor het milieu, moeten deze eerst worden verwijderd of geneutraliseerd. Voor verdere informatie over recycling kunt u terecht bij uw handelaar.

Reciclagem

Este símbolo é exigido pela Diretiva da Comunidade Europeia 2012/19/UE relativa aos REEE (Resíduos de Equipamentos Elétricos e Eletrónicos) e indica que o seu aparelho não deve ser descartado juntamente com o lixo urbano. Será recolhido seletivamente para fins de reutilização, reciclagem ou transformação. Quaisquer substâncias potencialmente nocivas para o meio ambiente que contenham devem ser eliminadas ou neutralizadas. Solicite mais informações sobre os procedimentos de reciclagem ao seu distribuidor.

IMPORTANT SAFETY, INSTALLATION AND MAINTENANCE INFORMATION

This manual contains basic information on the safety measures to be adopted during installation, maintenance and start-up. The fitter and the user must therefore read the instructions before installation and start-up.

The manual can be downloaded as a PDF file from the website: www.astralpool.com



- The units described in this Manual are specially designed for the pre-filtering and recirculation of water in swimming pools.
- They are designed to work with clean water at temperatures that do not exceed 35 °C.



- All assembly, electrical installation and maintenance work must be carried out by qualified, authorized personnel who have carefully read the installation and service instructions.

- This appliance is not intended for use by persons (including children) with reduced physical, sensory or mental capabilities, or lack of experience and knowledge, unless they have been given supervision or instruction concerning use of the appliance by a person responsible for their safety. Children should be supervised to ensure that they do not play with the appliance.


- This appliance can be used by children aged from 8 years and above and persons with reduced physical, sensory or mental capabilities or lack of experience and knowledge if they have been given supervision or instruction concerning use of the appliance in a safe way and understand the hazards involved. Children shall not play with the appliance. Cleaning and user maintenance shall not be made by children without supervision.



- Our pumps may only be assembled and installed in pools that are compliant with standards IEC / HD 60364-7-702 and required national rules. Should you have any doubts please consult your dealer.

- The installation should follow standard IEC/HD 60364-7-702 and required national rules for swimming pools.

- The pump can not be installed in the Zone 0 and Zone 1. To see drawings refer to page 8.

- The pump is intended to be used while fastened to a support or while secured in a specific location.
 - See the maximum total head (H max), in metres in page 6.
 - A sump with an adequate outlet for the liquid is considered to be placed where flooding is likely to occur.
 - If a self-priming pump is to be fitted above the water level, the pressure differential to the pump suction pipe should not be higher than 0.015 MPa (1,5 mH₂O). Ensure that the suction pipe is as short as possible as a longer pipe would increase suction time and the installation's load losses.
 - The unit should be connected to an alternating current supply (see data on the pump's plate) with an earth connection, protected by a residual current device (RCD) with a rated residual operating current that does not exceed 30 mA.
-  Failure to abide by the warnings can cause serious damage to a pool's fixtures or serious injury, including death.
- Observe the regulations in force on accident prevention.
 - Before handling the unit, ensure that the power supply is switched off and disconnected from the mains.
 - If the unit breaks down, do not try to repair it yourself. Contact a qualified service engineer instead.
 - All modifications to the pump require the manufacturer's prior authorization. Spare parts and original accessories authorized by the manufacturer ensure greater safety. The pump's manufacturer may not be held liable for any damage caused by unauthorized spare parts or accessories.
 - Do not touch the fan or moving parts and do not place a rod or your fingers near the moving parts while the device is working. Moving parts can cause serious injury or even death.
 - Do not dry-run the pump or without water (the warranty will become null and void).
 - Do not do any maintenance or repair work on the device with wet hands or if the device is wet.
 - To not submerge the device in water or mud.

1. GENERAL SAFETY INSTRUCTIONS

These symbols (⚠ ⚠ ⚠) indicate the possibility of danger where the corresponding instructions are not followed.



DANGER. Risk of electrocution.

Failure to abide by these instructions may lead to the risk of electrocution.



DANGER.

Failure to abide by these instructions may lead to the risk of injury to people or damage to property.



WARNING.

Failure to abide by these instructions may lead to the risk of damage to the pump or the installation.

2. OVERVIEW OF THE SYSTEM

Before starting, check that you have all the parts shown in Table 1 at hand.

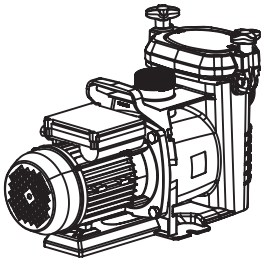

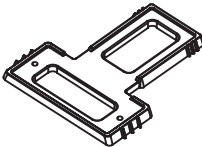

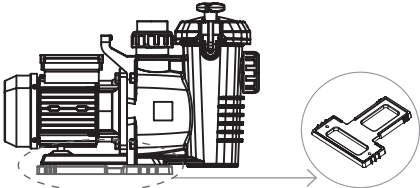
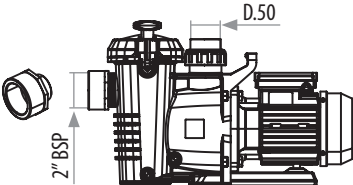
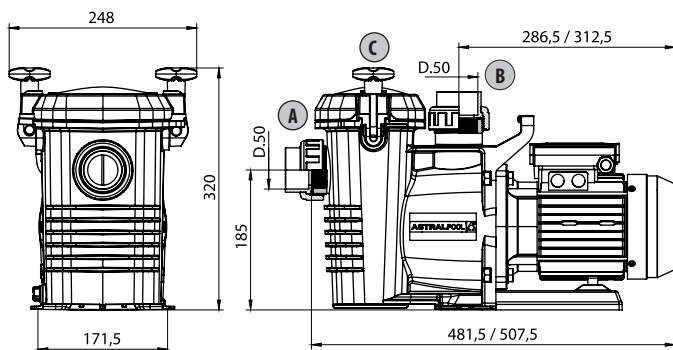
TABLE 1 - CONTENT			
			
Senext pump	Standard connections for D.50 piping (2)	Pump stand (1)	Reducing bushing 2" - 1 1/2" (1)

TABLE 2 - RETROFIT OPTIONS			
			
1	Equipment:	Base	2
	Retrofit:	Hayward MaxFlo/SuperPool	
1	Equipment:	Reducing bushing 2" - 1 1/2"	2
	Retrofit:	Speck BADU Magna/Top	

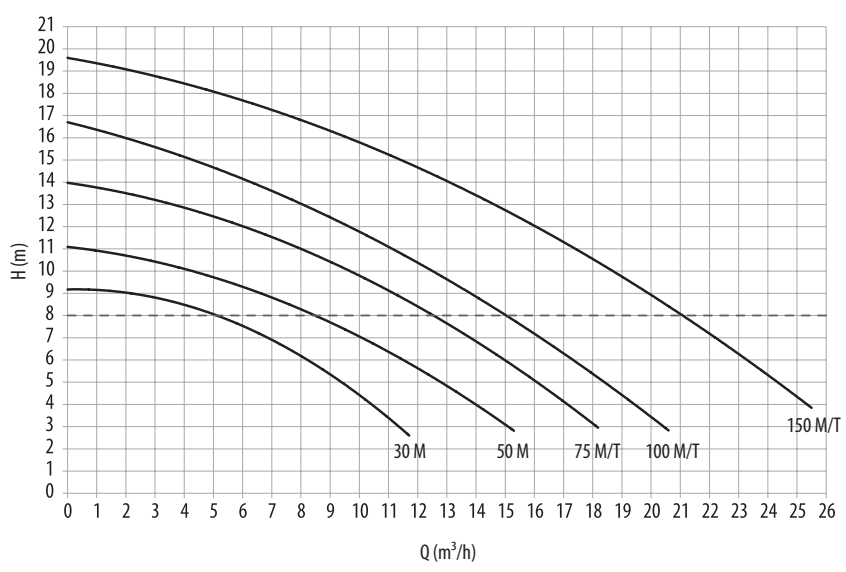
SPECIFICATIONS									
		30 M	50 M	75 M	75 T	100 M	100 T	150 M	150 T
Operating water temperature		5 to 35 °C							
Operating ambient temperature		2 to 50 °C							
Motor voltage – nominal (*)		230 VCA-50 Hz		400 VCA-50 Hz	230 VCA-50 Hz	400 VCA-50 Hz	230 VCA-50 Hz	400 VCA-50 Hz	
Motor power – phases		1 P		3 P	1 P	3 P	1 P	3 P	
Acceptable motor – voltage range		±10% (during operation)							
Motor power – nominal	CV	0.50		0.75		1.00		1.50	
Motor output – nominal (P2)	W	375		550		750		1100	
Motor input – maximum (P1)	W	605		770	750	1020	970	1400	
Motor amperage	A	2.7		3.6	1.6	5	1.9	6.5	2.5
Motor protection rating		IPX5							
Maximum pump flow rate at 3 m in height	m ³ /h	11.5	15.0	18.0		20.5		26	
Pump flow at 8 m in height	m	5.0	8.5	12.5	12.5	15		21	
Maximum pump height (H max)	mH ₂ O	9	11	14		17		19.5	
	bar	0.9	1.1	1.4		1.7		1.9	
Pump connections		Diameter of suction and discharge piping: 50 mm Threaded suction and discharge connection: External G2 ¼"/Internal G1 ½"							
Maximum water salt level		6.0 g/l (6,000 ppm)							

DIMENSIONS AND MARKINGS



A	B	C
Water inlet	Water outlet	Strainer lid

PERFORMANCE CURVES



3. INSTALLATION

3.1 SELECTING A LOCATION

The pump must be installed:

- In front of the filter, heating system and/or water treatment unit
- At a distance of 2 meters from the edge of the pool, to prevent water from splashing the unit. Some standards allow other distances. Consult the standards in force in the country of installation.
- Ideally, 30 cm below the water level.
- Outside an area susceptible to flooding or on a stand with drainage.
- In a well ventilated place, to allow the pump to cool.

The pump must not be installed:

- In an area susceptible to rainfall and splashing.
- Near a heat source or source of inflammable gas.
- In an area that cannot be cleaned or kept free of leaves, dry vegetation and other inflammable items.
- In Area 0 and Area 1 (FIGURE 1).

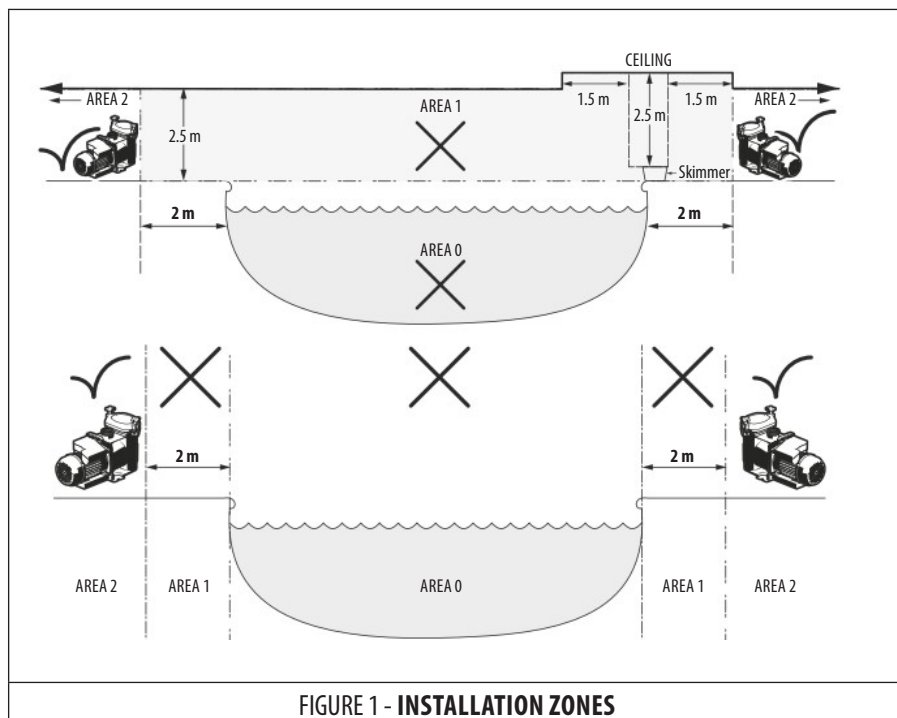


FIGURE 1 - INSTALLATION ZONES

- There must be easy access for maintenance work on the device.
- Place it on a stable, leveled and solid surface (e.g., concrete base).
- If necessary, use the stand to lift the pump up to the level of the piping fitted. (FIGURE 2).
- Fasten the pump to the ground using the anchoring stud so that it is suitably fitted in place. (FIGURE 3).

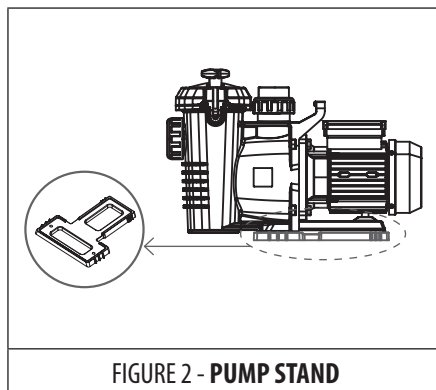


FIGURE 2 - PUMP STAND

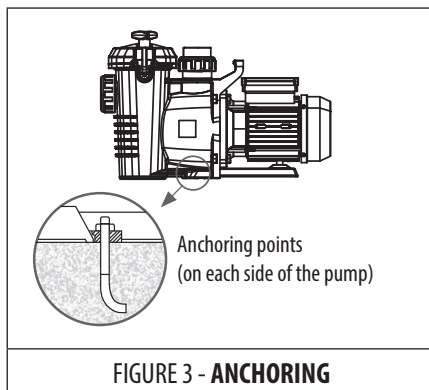
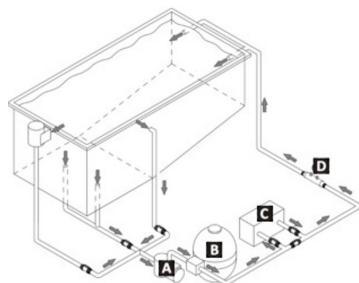


FIGURE 3 - ANCHORING

3.2 HYDRAULIC CONNECTIONS



- Observe the direction of the hydraulic connections.
- Select the pipe size according to the size of the pool in line with the hydraulic standards in place in the country of installation.
- For hydraulic connections, use the standard connections required.
- Fit a check valve if the filter is installed above the water level.
- Fit isolation valves (suction and discharge) if the filter is installed below the water level.
- To avoid problems with priming, install the suction pipe so that there are no high points where air can build up.
- Check that the hydraulic connections are securely tightened and that there are no leaks.
- The piping should be well supported to avoid any risk of breakage due to the weight of the water.



HYDRAULIC CONNECTIONS

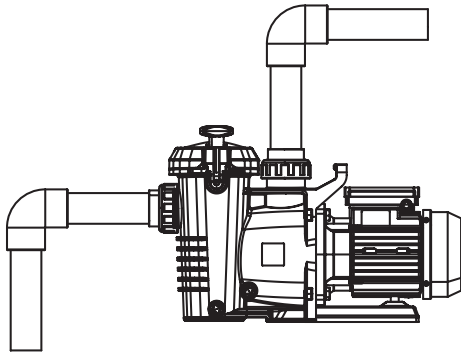
A Pump

B Filter

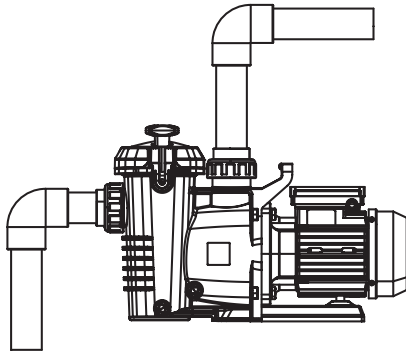
C Heating system

D Water treatment system

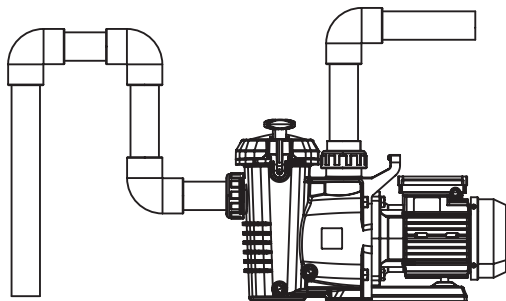
- Use as few elbow joints as possible. If there needs to be more than 10 elbow joints on the hydraulic circuit, increase the pipe diameter.



Length of the suction pipe = $4 \times \varnothing$



Suction pipe too short. **Risk of cavitation**



Air entrapment. **Risk of the strainer not filling properly**

3.3 POWER CONNECTIONS

- To avoid the switchboard from overheating (which could cause a fire), check that the terminal blocks are securely fastened. Loose terminal blocks will cancel the warranty.



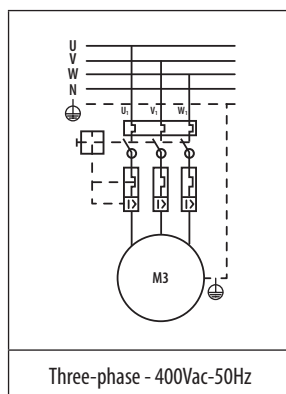
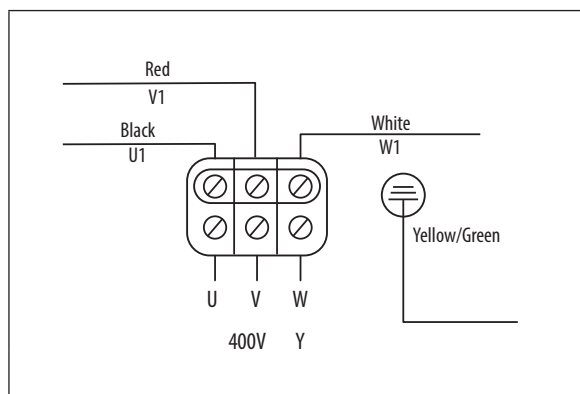
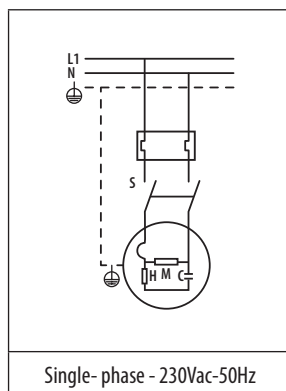
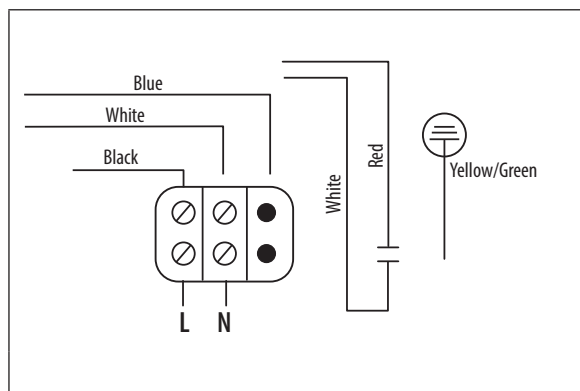
- Any unsuitable electrical connection will make the warranty null and void.
- The power cable must be insulated and protected against chafing and damage.
- Use the cable gland to thread the power cable through the device.

3.3.1 ELECTRICAL CONNECTIONS



Disconnect electricity and ground the pump before beginning electrical work.

1. Unscrew the 4 screws to open the connection box.
2. Disconnect and remove factory test wires from the terminal block.
3. Run the power cable through the gland and connect wires.
4. Close the electrical connection box, making sure the gasket is in place, and tighten the 4 screws.



4. USE

4.1 OPERATING PRINCIPLE

The filter pump is a fundamental, core component of any pool, as it is used to circulate the water through all components, the filter in particular.

Its motor makes the turbine rotate, which pumps the water. The strainer basket collects large pieces of debris to prevent the filter from becoming blocked or damaged.

4.2 OPERATION



- To prevent any risk of explosion that could cause material damage, serious injury or even death, ensure that the hydraulic circuit is free of obstructions, is not blocked and is not under high pressure.
- The lid of the strainer basket should be closed by hand (do not use any tools).
- Check that the hydraulic connections are securely tightened.
- Check that the pump is stable and leveled.
- The hydraulic circuit should be primed and not contain any foreign bodies.
- The lid of the strainer basket must be properly closed (by hand) and its gasket clean and properly in place.
- Check that the valves are open.
- As the pump is self-priming, the strainer must be filled with water before starting it up for the first time in order to facilitate the process. (See FIGURE 4)

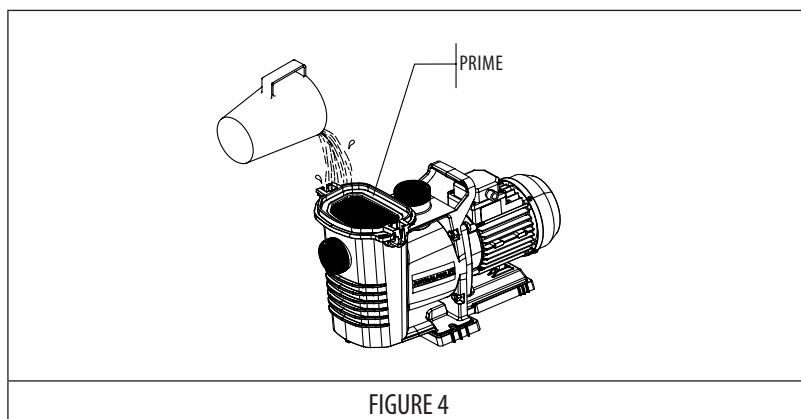


FIGURE 4

- The pump has a priming capacity of up to 1.5 meters above the water level of the pool at sea level (if the hydraulic circuit is properly sealed).
- Bleed any air that may have built up in the filtration circuit using the bleed valve, which is usually on the filter (see the pool filter manual).

- Check that there are no leaks in the hydraulic circuit.
- Check that the motor is turning in the right direction (look at the fan located at the back of the motor). (See FIGURE 5)

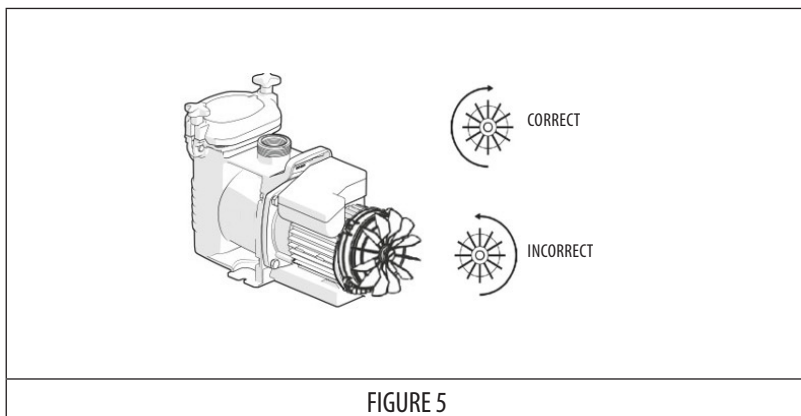


FIGURE 5

- Switch the pump on and from the strainer lid check that the pump is fully primed for a time of no longer than 12 minutes.

5. MAINTENANCE

Depending on the level of water cleanliness, the following should be done every 100 operating hours:



- Clean the pre-filter basket regularly to avoid drops in pressure. To prevent the basket from breaking, do not hit it during the cleaning process.
- Should the pump stop, check that the consumption in amperes of the motor that is running is equal to or below that indicated on the manufacturer's rating plate. If this information is not available, contact the nearest Technical Assistance Service.



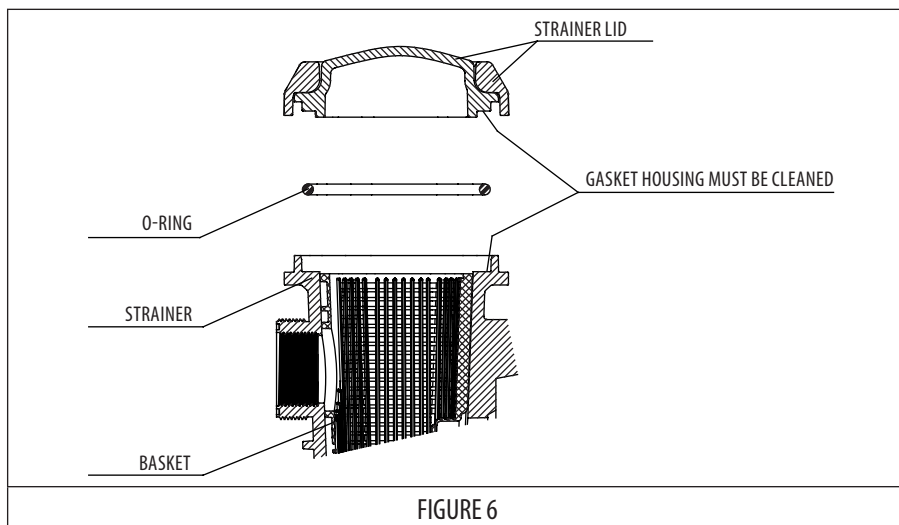
- Empty the pump if it is to remain at a standstill for a certain length of time, especially in cold countries where there is a risk of freezing.
- Remove the purge cap to empty the pump.
- Every time the pre-filter is opened, clean the seal and its housing of any impurities to ensure airtightness when the cap is closed (FIGURE 6).
- Pump components that, due to their normal use, suffer wear and/or tear must be regularly replaced to ensure good pump performance. The following table lists the fungible and / or consumable components of the pump and the period of time in which they must have been replaced.

DESCRIPTION OF THE COMPONENT	TIME BETWEEN REPLACEMENTS
Capacitor	10,000 h
Bearings	10,000 h
Mechanical seal	10,000 h
O-rings and other sealing components ⁽¹⁾	10,000 h

⁽¹⁾ The opening and closing of the pump for the replacement of any of the inner spare parts does not guarantee the subsequent sealing. For this reason, it is recommended that the O-rings and sealing components are replaced whenever the mechanical seal and / or bearings are changed.

The estimated working life of the above parts has been established according to normal product use and installation conditions.

Follow the instructions in the installation manual to maintain the working life of the pump.



6. TROUBLESHOOTING



- If a problem arises, before contacting your dealer, make the following simple checks as described in the tables below.
- If the problem persists, contact your dealer.
- Work that should only be carried out by a qualified service engineer.

6.1 PUMP FAILURE

PROBLEM	SOLUTION
The pump does not start up/The motor does not turn.	<ul style="list-style-type: none"> • Power cut. Check the circuit breakers. • Check the connection between the power cable and the motor's terminals. • Check that the motor shaft is turning freely. Check that there is no debris in the strainer basket. • If any debris still remains, remove the pump to access the turbine.
The pump does not prime/There may be air in the strainer basket.	<ul style="list-style-type: none"> • Check the position of the valves in the hydraulic circuit. • Air has clogged up in the circuit. Bleed the hydraulic circuit (bleed valve on the filter). • The pool's water level is too low, so the circuit is sucking in air. Fill the pool. • The strainer lid is defective. Check the state of repair of the gasket and that the lid is watertight.
Low flow rate/Low filter pressure.	<ul style="list-style-type: none"> • The strainer basket is full of debris. Clean it. • Air leak in the circuit. Check all of the tightening torques. • The turbine and pump diffuser are blocked or worn. Replace them. • The diffuser's gasket is worn. Replace it. • Reverse rotation of the motor (only on three-phase pumps). Check the connections of pump's terminal blocks.
Low flow rate/High filter pressure.	<ul style="list-style-type: none"> • The filter is blocked up. Clean the filter (or cartridge, as may be the case). • Check the position of the valves in the hydraulic circuit.
The pump makes a lot of noise.	<ul style="list-style-type: none"> • Air leak or cavitation in the suction piping. Check the position of the valves and adjust them whenever necessary. • Pump badly placed on the ground. Check that it is on a flat, hard, horizontal surface. Use anti vibration pads whenever necessary. • There is a foreign body in the strainer basket. • There is a foreign body in the body of the pump. The pump must be removed and taken for servicing.
Leak in the body of the pump and the motor.	<ul style="list-style-type: none"> • The mechanical seal is damaged. Replace it.

INFORMATIONS IMPORTANTES SUR LA SÉCURITÉ, L'INSTALLATION ET LA MAINTENANCE

Le manuel que vous avez entre les mains contient l'information fondamentale relative aux mesures de sécurité à adopter pour l'installation, la maintenance et la mise en service. Il est pour cela indispensable que l'installateur et l'utilisateur lisent les instructions avant de passer au montage et à la mise en marche.

Le manuel peut être téléchargé sous format PDF depuis la page suivante: www.astralpool.com




- Les machines citées dans ce manuel sont spécialement conçues pour obtenir le préfiltrage et le recyclage de l'eau dans les piscines.
- Elles sont conçues pour travailler avec des eaux propres et à une température ne dépassant pas les 35°C.



- Les travaux de montage, installation électrique et de maintenance doivent être réalisés par des personnes qualifiées et autorisées ayant lu au préalable les instructions d'installation et de service avec attention.
- Cet appareil n'est pas destiné à être utilisé par des personnes (y compris des enfants) ayant des capacités physiques, sensorielles ou mentales réduites, ou un manque d'expérience et de connaissances, à moins qu'elles n'aient reçu une supervision ou des instructions concernant l'utilisation de l'appareil par une personne responsable de leur sécurité. Les enfants doivent être surveillés pour s'assurer qu'ils ne jouent pas avec l'appareil.
- Cet appareil peut être utilisé par des enfants âgés de 8 ans et plus et des personnes ayant des capacités physiques, sensorielles ou mentales réduites ou un manque d'expérience et de connaissances s'ils ont reçu une supervision ou des instructions concernant l'utilisation de l'appareil en toute sécurité et comprennent les risques. impliqué. Les enfants ne doivent pas jouer avec l'appareil. Le nettoyage et l'entretien par l'utilisateur ne doivent pas être effectués par des enfants sans surveillance.



- Nos pompes peuvent uniquement être montées et installées dans des piscines conformes aux normes IEC / HD 60364-7-702 et aux dispositions nationales en vigueur. Pour tout renseignement à ce sujet, veuillez consulter votre vendeur.
- L'installation doit être en conformité avec les normes IEC / HD 60364-7-702 et les dispositions nationales en vigueur relatives aux piscines.

- La pompe ne peut pas être installée dans la Zone 0 ou la Zone 1. Pour voir les dessins, reportez-vous à la page 22.
 - L'utilisation de la pompe n'est prévue que si celle-ci est fixée à un support ou à l'abri dans un emplacement spécifique.
 - Voir la hauteur manométrique totale (H max), exprimée en mètres page 20.
 - Il est recommandé d'installer un puisard équipé d'une sortie d'écoulement des liquides afin d'éviter tout risque d'inondation.
 - Si vous devez installer une pompe auto-aspirante au-dessus du niveau de l'eau, le différentiel de pression au niveau de l'aspiration de la pompe ne doit pas dépasser 0,015 MPa (1,5 mH₂O) ; faites en sorte que la conduite d'aspiration soit la plus courte possible puisque un tuyau plus long augmente le temps d'aspiration et les pertes de charge de l'installation.
 - L'appareil doit être branché sur une prise de courant (voir informations sur la plaque de caractéristiques de la pompe) avec prise de terre, protégé par un interrupteur différentiel (RCD) avec un courant de fonctionnement résiduel assigné qui n'excède pas 30mA.
-  • Le non-respect des avertissements peut entraîner d'importants dommages au matériel de la piscine ou des blessures graves, voire la mort.
- Respectez la réglementation en vigueur en matière de prévention des accidents.
 - Avant de manipuler l'appareil, assurez-vous que ce dernier est éteint et débranché de la source d'alimentation.
 - Si l'appareil présente une défaillance, ne tentez pas de le réparer vous-même, contactez un technicien qualifié.
 - Toutes les modifications apportées à la pompe requièrent l'autorisation préalable du fabricant. Les pièces de rechange et les accessoires d'origine agréés par le fabricant garantissent une plus grande sécurité. Le fabricant de la pompe est dégagé de toute responsabilité en cas de dommage découlant de pièces de rechange ou d'accessoires non agréés.
 - Ne touchez pas le ventilateur ni les parties mobiles et ne mettez pas de baguette ni vos doigts près des parties mobiles lorsque l'appareil est en fonctionnement. Les pièces mobiles peuvent entraîner des blessures graves voire la mort.
 - N'allumez jamais la pompe à sec ou sans eau (la garantie en serait annulée).
 - N'effectuez aucune opération d'entretien ou de réparation sur l'appareil si vous avez les mains mouillées ou si l'appareil est mouillé.
 - N'immergez pas l'appareil dans l'eau ou la boue.

1. PRESCRIPTIONS GÉNÉRALES DE SÉCURITÉ

Ces symboles (⚡ ⚠ !) indiquent une possibilité de danger comme conséquence du manquement aux prescriptions correspondantes.



DANGER. Risque d'électrocution.

L'absence de cette prescription comporte un risque d'électrocution.



DANGER.

L'absence de cette prescription comporte un risque de dommage corporel ou matériel.



ATTENTION.

L'absence de cette prescription comporte un risque de dommage de la pompe ou de l'installation.

2. PRÉSENTATION GÉNÉRALE DU SYSTÈME

Avant de commencer, vérifiez que vous disposez de toutes les pièces indiquées dans le tableau 1.

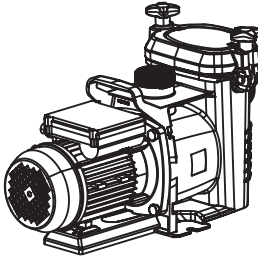

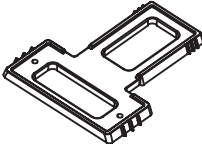

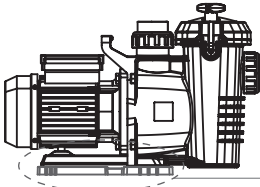
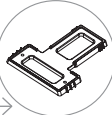
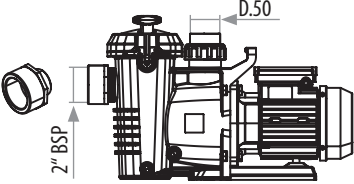

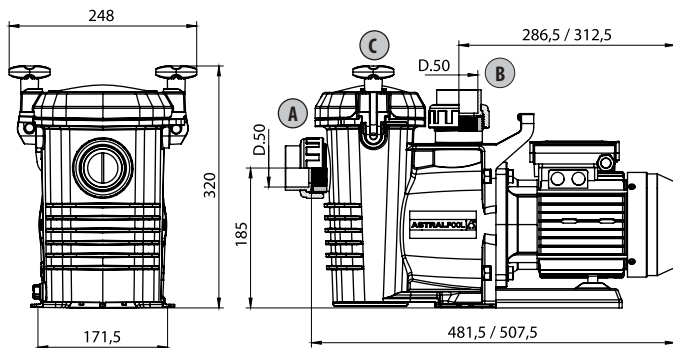
TABLEAU 1 - CONTENU			
			
Bomba Senext	Raccords standard pour tuyau D.50 (x2)	Base de la pompe (x1)	Raccord de réduction 2" - 1 1/2" (x1)

TABLEAU 2 - OPTIONS DE MISE À NIVEAU					
					
1	Accessoire :	Base	2	Accessoire :	Raccord réduction 2" - 1 1/2"
	Pièce de mise à niveau :	Hayward MaxFlo / SuperPool		Pièce de mise à niveau :	Speck BADU Magna/ Top

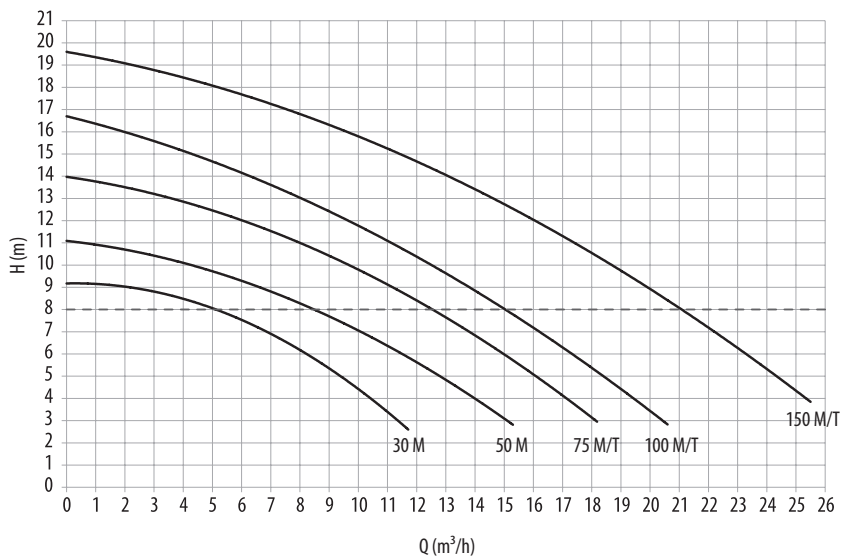
SPÉCIFICATIONS									
		30M	50M	75M	75T	100M	100T	150M	150T
Température de l'eau de fonctionnement		de 5 à 35 °C							
Température ambiante de fonctionnement		de 2 à 50 °C							
Moteur - Tension nominale (*)		230Vca-50Hz		400Vca-50Hz	230Vca-50Hz	400Vca-50Hz	230Vca-50Hz	400Vca-50Hz	
Moteur - Puissance - Phases		1P		3P	1P	3P	1P	3P	
Moteur - Variation de tension acceptable		±10 % (en fonctionnement)							
Moteur - Puissance nominale	CV	0,50		0,75		1,00		1,50	
Moteur - Sortie nominale (P2)	W	375		550		750		1100	
Moteur - Entrée maximale (P1)	W	605		770	750	1020	970	1400	
Moteur - Intensité de courant	A	2,7		3,6	1,6	5	1,9	6,5	2,5
Moteur - Indice de protection		IPX5							
Débit maximal de la pompe à 3 m de hauteur	m ³ /h	11,5	15,0	18,0		20,5		26	
Débit de la pompe à 8 m de hauteur	m	5,0	8,5	12,5	12,5	15		21	
Hauteur maximale de la pompe (H max)	mH ₂ O	9	11	14		17		19,5	
	bar	0,9	1,1	1,4		1,7		1,9	
Raccordements de la pompe		Diamètre du tuyau d'aspiration et de décharge : 50 mm Raccord fileté d'aspiration et de décharge : Extérieur G2 ¼" / Intérieur G1 ½"							
Salinité maximale de l'eau		6,0 g/l (6000 ppm)							

DIMENSIONS ET CODE



A	B	C
Arrivée d'eau	Sortie d'eau	Couvercle du préfiltre

COURBES DE RENDEMENT



3. INSTALLATION

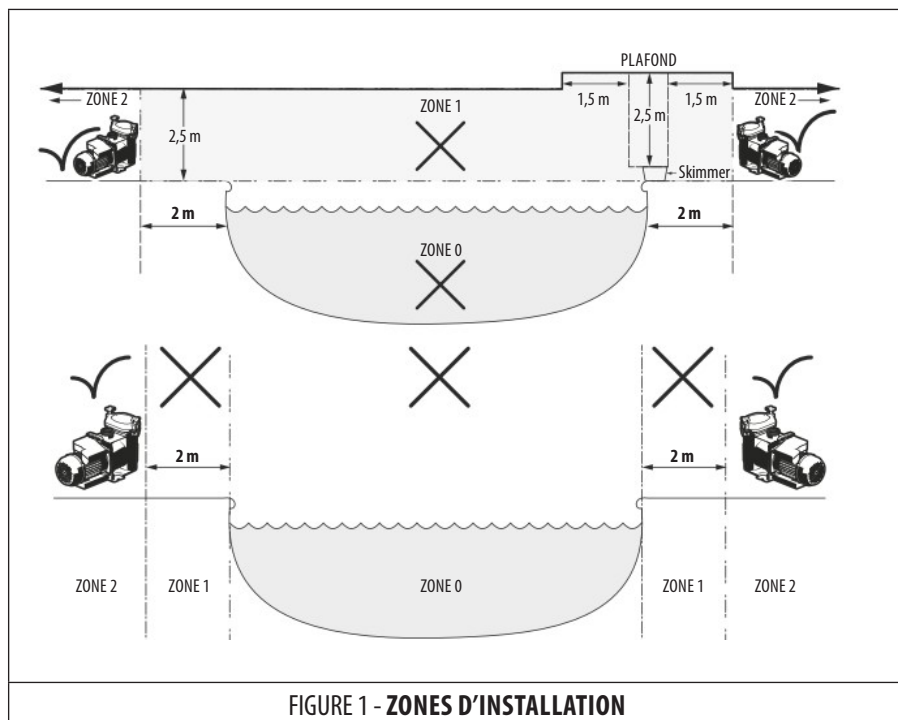
3.1 CHOIX DE L'EMPLACEMENT

La pompe doit être installée :

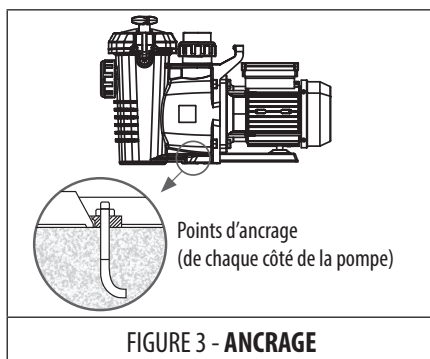
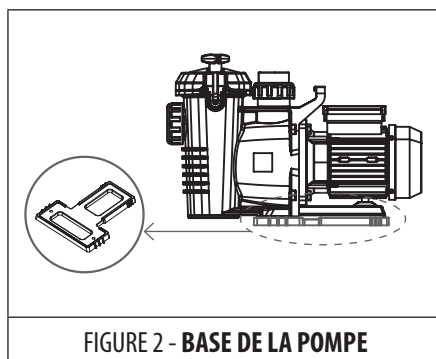
- Avant le filtre, tout système de chauffage et/ou de traitement de l'eau.
- À au moins 2 m du bord de la piscine pour éviter que de l'eau n'asperge l'appareil. Certaines normes autorisent d'autres distances. Consultez les réglementations en vigueur dans le pays d'installation.
- Idéalement, à 30 cm en dessous du niveau de l'eau.
- Hors zone inondable ou sur une base avec un système de vidange.
- Dans une zone ventilée, pour permettre le refroidissement de la pompe.

La pompe ne doit pas être installée :

- Dans une zone sujette à la pluie et aux éclaboussures.
- Proche d'une source de chaleur ou de gaz inflammable.
- Dans une zone qui ne peut pas être nettoyée ou de laquelle il n'est pas possible d'enlever les feuilles, le feuillage sec et tout autre élément inflammable.
- Dans les zones 0 et 1 (FIGURE 1).



- L'appareil doit être facilement accessible pour effectuer les opérations d'entretien.
- Placez la pompe sur une surface stable, nivelée et solide (par exemple, sur un sol bétonné).
- Si nécessaire, utilisez la base pour élever la pompe au niveau des conduites existantes. (FIGURE 2).
- Fixez la pompe au sol à l'aide de boulons pour fondations adéquats. (FIGURE 3).

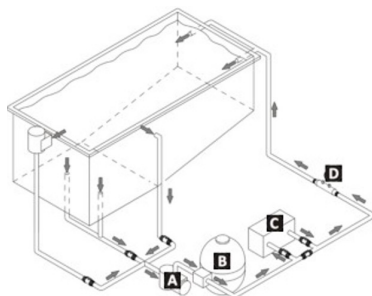


3.2 RACCORDEMENTS HYDRAULIQUES



- Respectez le sens des raccordements hydrauliques.

- Choisissez la dimension des tuyaux en fonction des dimensions de la piscine et conformément aux normes hydrauliques en vigueur dans le pays d'installation.
- Pour les raccordements hydrauliques, utilisez les raccords standard prévus.
- Installez un clapet de retenue si le filtre est installé au-dessus du niveau de l'eau.
- Installez des vannes d'isolement (aspiration et décharge) si la pompe est installée en dessous du niveau de l'eau.
- Pour éviter les difficultés liées à l'amorçage, installez le tuyau d'aspiration sans points élevés dans lesquels l'air serait susceptible de s'accumuler.
- Vérifiez que les raccords hydrauliques sont bien serrés et qu'il n'y a aucune fuite.
- Les tuyaux doivent être soutenus pour éviter tout risque de rupture sous le poids de l'eau.



HYDRAULIC CONNECTIONS

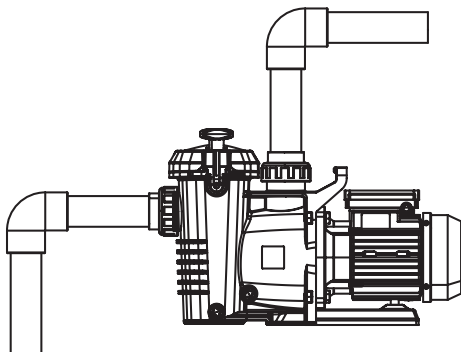
A Pompe

B Filtre

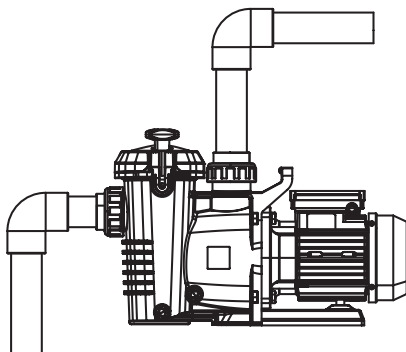
C Système de chauffage

D Système de traitement d'eau

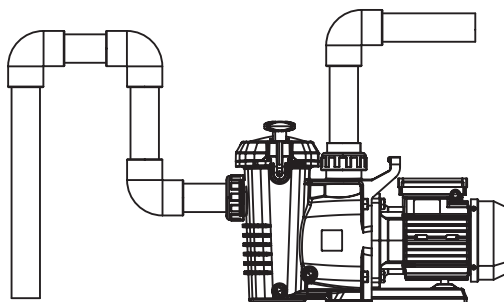
- Utiliser le moins de coudes possibles. S'il doit y avoir plus de 10 coudes sur le circuit hydraulique, augmenter le diamètre des tuyaux.



Longueur tuyau d'aspiration = $4 \times \varnothing$



Tuyau d'aspiration très court. Risque de cavitation



Retenue d'air. Risque de remplissage incorrect du préfiltre

3.3 RACCORDEMENTS ÉLECTRIQUES

- Afin d'éviter la surchauffe de la boîte de jonction (risque d'incendie), vérifiez que toutes les bornes sont correctement serrées. Les bornes non serrées annulent la garantie.



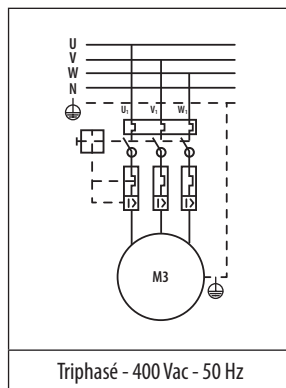
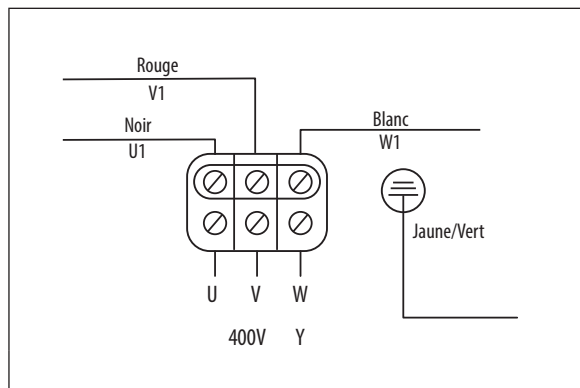
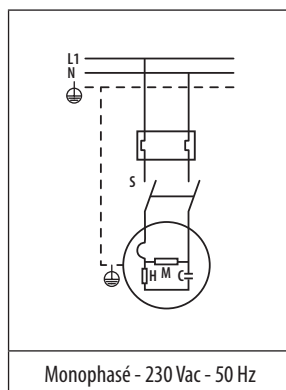
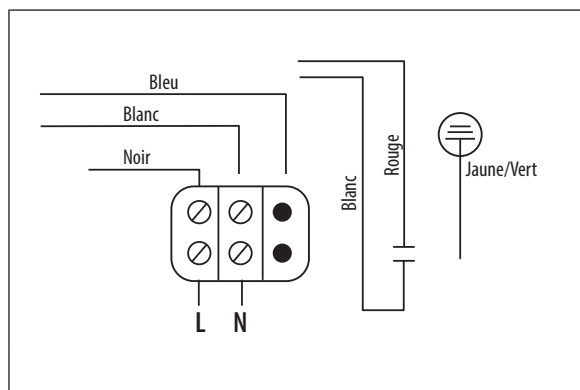
- Tout branchement électrique inadéquat annule la garantie.
- Le câble d'alimentation doit être isolé et à l'abri des abrasions et dommages.
- Utilisez un presse-étoupe pour faire parvenir le câble d'alimentation à l'appareil.

3.3.1 RACCORDEMENTS ÉLECTRIQUES



Déconnecter le courant et effectuer la mise à terre de la pompe avant de réaliser les travaux d'électricité.

1. Dévisser les 4 vis pour ouvrir le boîtier de raccordement.
2. Déconnecter et retirer les câbles d'usine du bornier.
3. Passer le câble d'alimentation dans le presse-étoupe et raccorder les câbles.
4. Refermer la boîte de jonction, en s'assurant que le joint est bien en place et resserrer les 4 vis.



4. EMPLOI

4.1 PRINCIPE DE FONCTIONNEMENT

La pompe de filtration se trouve au cœur de la piscine et constitue une pièce fondamentale, car elle permet de faire circuler l'eau à travers les différents composants, et en particulier à travers le filtre.

Son moteur fait tourner une turbine qui envoie l'eau. Le panier du préfiltre recueille les résidus importants afin d'éviter que le filtre ne s'obstrue ou ne se détériore.

4.2 FONCTIONNEMENT



- Pour éviter tout risque d'explosion susceptible de provoquer des dommages matériels, des blessures graves ou la mort, vérifiez que le circuit hydraulique n'est ni obstrué, ni bloqué, ni sujet à une pression excessive.
- Le couvercle du panier du préfiltre doit être fermé à la main (n'utilisez aucun outil).
- Vérifiez que les raccords hydrauliques sont bien serrés.
- Vérifiez que la pompe est stable et bien à plat.
- Le circuit hydraulique doit être purgé et ne doit contenir aucun corps étranger.
- Le couvercle du préfiltre de la pompe doit être correctement fermé (à la main) et les joints propres et bien en place.
- Vérifiez que les vannes sont ouvertes.
- La pompe est autoaspirante, il est obligatoire de remplir le préfiltre d'eau avant de la mettre en marche pour la première fois afin de faciliter le processus. (Voir FIGURE 4.)

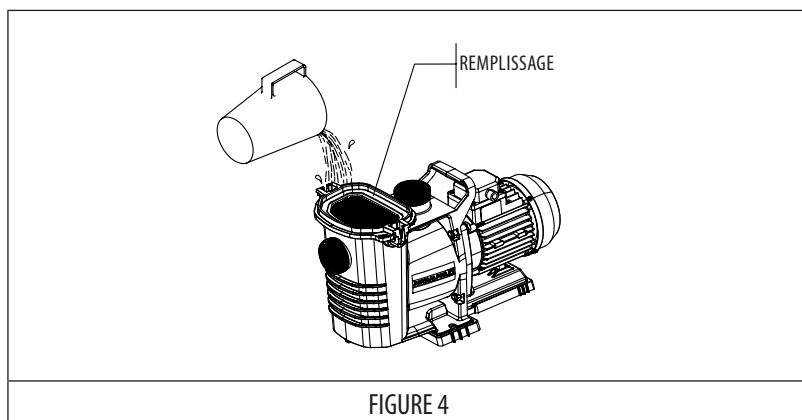


FIGURE 4

- La pompe possède une capacité d'amorçage allant jusqu'à 1,5 m au-dessus du niveau de l'eau de la piscine et au niveau de la mer (si le circuit hydraulique est parfaitement étanche).

- Purgez l'air susceptible de se trouver dans le circuit de filtration à l'aide de la purge, normalement présente dans le filtre (consultez le manuel du filtre de la piscine).
- Vérifiez qu'il n'y a aucune fuite dans le circuit hydraulique.
- Vérifiez que le moteur tourne dans le bon sens (en regardant le ventilateur situé à l'arrière du moteur). (Voir FIGURE 5.)

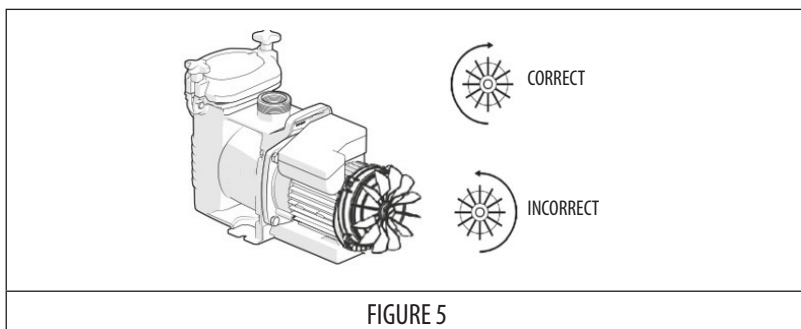


FIGURE 5

- Faites fonctionner la pompe et vérifiez par le couvercle du préfiltre qu'elle est complètement amorcée en moins de 12 minutes.

5. MAINTENANCE

Toutes les 100 heures de fonctionnement, selon le niveau de propreté de l'eau, les points suivants doivent être vérifiés :



- Nettoyer le panier du préfiltre régulièrement pour éviter les chutes de pression. Pour éviter une rupture du panier, ne pas le cogner pendant toute la durée du nettoyage.
- Si la pompe s'arrête, vérifier que la consommation en ampères du moteur soit égale ou inférieure à la marque sur la plaque de caractéristiques du fabricant, ou à défaut, contacter le Service d'Assistance Technique le plus proche.



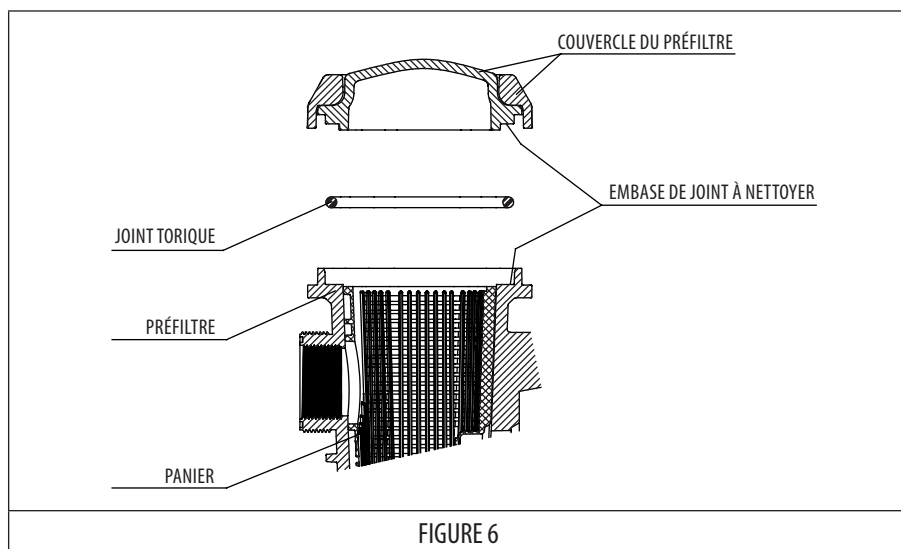
- Vider la pompe si elle doit rester un certain temps sans fonctionner, principalement dans des zones froides où peut exister un risque de congélation.
- Pour effectuer la vidange de la pompe, extraire le bouchon de purge.
- Chaque fois que le préfiltre s'ouvre, nettoyer les impuretés du support du joint pour s'assurer de l'étanchéité de la fermeture du couvercle (FIGURE 6).
- Les composants de la pompe, dont l'usage habituel fait qu'ils souffrent d'usure et/ou de détérioration, doivent être changés régulièrement pour maintenir un bon rendement de la pompe. Le tableau suivant répertorie les composants fongibles et / ou consommables de la pompe et la période au cours de laquelle ils doivent avoir été remplacés.

DESCRIPTION DE LA COMPOSANTE	PÉRIODE DE TEMPS À REMPLACER
Condensateur	10 000h
Rodages	10 000h
Fermeture mécanique	10 000h
Joints et autres éléments d'étanchéité ⁽¹⁾	10 000h

⁽¹⁾ L'ouverture et la fermeture de la pompe pour le remplacement de l'une des pièces de rechange inertes ne garantit pas l'étanchéité ultérieure. Pour cette raison, il est recommandé de remplacer les joints toriques et les éléments d'étanchéité lors du remplacement de la garniture mécanique et / ou des roulements.

La période approximative de durée utile des pièces précédentes a été établie dans des conditions normales d'utilisation et d'installation du produit.

Suivre les instructions du manuel d'installation pour maintenir la période de vie utile de la pompe.



6. RÉOLUTION DE PROBLÈMES



- Si un problème survient, avant de contacter le distributeur, effectuez quelques vérifications simples à l'aide des tableaux suivants.
- Si le problème persiste, contactez le distributeur.
- Certaines opérations doivent être uniquement réalisées par un technicien qualifié.

6.1 COMPORTEMENT DE L'APPAREIL

CAUSE	SOLUTION
La pompe ne démarre pas. / Le moteur de tourne pas.	<ul style="list-style-type: none"> • Coupure électrique. Vérifiez les fusibles. • Vérifiez le branchement entre le câble d'alimentation et les bornes du moteur. • Vérifiez que l'axe du moteur tourne librement. Vérifiez qu'aucun résidu ne se trouve dans le panier du préfiltre. • En cas de présence de résidus, enlevez la pompe pour accéder à la turbine.
La pompe ne s'amorce pas. / Il se peut qu'il y ait de l'air dans le panier du préfiltre.	<ul style="list-style-type: none"> • Vérifiez la position des vannes du circuit hydraulique. • De l'air est bloqué dans le circuit. Vidangez le circuit électrique (vis de vidange dans le filtre). • Le niveau d'eau de la piscine est trop bas, le circuit aspire de l'air. Remplissez la piscine. • Le joint du couvercle du préfiltre est défectueux. Vérifiez l'état du joint et l'étanchéité du couvercle.
Débit faible. / Pression de filtre basse.	<ul style="list-style-type: none"> • Le panier du préfiltre est plein de résidus. Nettoyez-le. • Fuite d'air dans le circuit. Vérifiez tous les couples de serrage. • La turbine et le diffuseur de la pompe sont bloqués ou usés. Remplacez-les. • Le joint du diffuseur est usé. Remplacez-le. • Rotation inverse du moteur (modèles triphasés uniquement). Vérifiez le branchement électrique des bornes de la pompe.
Débit faible. / Pression de filtre haute.	<ul style="list-style-type: none"> • Le filtre est obstrué. Nettoyez le filtre (ou la cartouche selon le cas). • Vérifiez la position des vannes du circuit hydraulique.
La pompe fait beaucoup de bruit.	<ul style="list-style-type: none"> • Fuite d'air ou cavitation dans le tuyau d'aspiration. Vérifiez la position des vannes et effectuez tout ajustement nécessaire. • Pompe mal installée sur le sol. Vérifiez qu'elle est bien à plat sur un sol dur et horizontal. Utilisez des cales antivibrations si nécessaire. • Il y a un corps étranger dans le panier du préfiltre. • Il y a un corps étranger dans le corps de la pompe (dans ce cas, désinstallez la pompe et amenez-la à un service technique).
Fuite entre le corps de la pompe et le moteur.	<ul style="list-style-type: none"> • Le joint mécanique est endommagé. Remplacez-le.

INFORMACIÓN IMPORTANTE DE SEGURIDAD, INSTALACIÓN Y MANTENIMIENTO

El manual, contiene información fundamental acerca de las medidas de seguridad a adoptar a la hora de la instalación, el mantenimiento y la puesta en servicio. Por ello, es imprescindible que tanto el instalador como el usuario lean las instrucciones antes de pasar al montaje y la puesta en marcha.

El manual puede descargarse en PDF desde la siguiente página: www.astralpool.com



- Los equipos descritos en este manual están especialmente diseñados para el pre-filtrado y la recirculación del agua en las piscinas.

- Están diseñados para trabajar con agua limpia a temperaturas que no superen los 35°C.



- Todo el trabajo de montaje, instalación eléctrica y mantenimiento debe ser realizado por personal cualificado y autorizado, que haya leído detenidamente las instrucciones de instalación y servicio.

- Este aparato no está diseñado para que lo utilicen personas (incluidos niños) con capacidades físicas, sensoriales o mentales reducidas, o con falta de experiencia y conocimiento, a menos que hayan recibido supervisión o instrucciones sobre el uso del aparato por una persona responsable de su seguridad. Los niños deben ser supervisados para asegurarse de que no jueguen con el aparato.

- Este aparato puede ser utilizado por niños a partir de 8 años y personas con capacidades físicas, sensoriales o mentales reducidas o con falta de experiencia y conocimiento si han recibido supervisión o instrucciones sobre el uso del aparato de forma segura y comprenden los peligros involucrados. Los niños no deben realizar la limpieza y el mantenimiento del aparato sin supervisión.

- La bomba está diseñada para usarse mientras esté sujeta a un soporte o mientras esté asegurada en una ubicación específica.

- Si se va a instalar una bomba autoaspirante por encima del nivel del agua, la diferencia de presión a la tubería de succión de la bomba no debe ser superior a 0,015 MPa (1,5 mH₂O). Asegúrese de que la tubería de succión sea lo más corta posible, ya que una tubería más larga aumentaría el tiempo de succión y las pérdidas de carga de la instalación.



- Nuestras bombas solo se pueden ensamblar e instalar en piscinas o estanques que cumplan con las normas IEC/HD 60364-7-702 y las normas nacionales requeridas; si tiene alguna duda, consulte a su distribuidor.
- La instalación debe seguir el estándar IEC/HD 60364-7-702 y las reglas nacionales requeridas para piscinas.
- La bomba no se puede instalar en la Zona 0 ni en la Zona 1. Para ver dibujos consulte la página 36.
- Se considera apropiado instalar un sumidero con una salida adecuada de agua donde sea probable que ocurra una inundación.
- Consulte la altura total máxima en metros (H max) en la página 34.
- La unidad debe conectarse a un suministro de corriente alterna (ver datos en la placa de la bomba) con una conexión a tierra, protegida por un dispositivo de corriente residual (RCD), con una corriente de operación residual nominal que no exceda los 30 mA.



- El incumplimiento de las advertencias, puede causar daños graves al equipo de la piscina o causar lesiones graves, incluso la muerte.
- Respete la normativa vigente en materia de prevención de accidentes.
- Antes de manipular la máquina, asegúrese de que la alimentación esté apagada y desconectada de la fuente de alimentación.
- Si el aparato sufre una avería, no intente repararlo usted mismo; en su lugar, póngase en contacto con un técnico cualificado.
- Todas las modificaciones a la bomba requieren autorización previa del fabricante. Los repuestos y accesorios originales autorizados por el fabricante garantizan una mayor seguridad. El fabricante de la bomba está exento de toda responsabilidad con respecto a cualquier daño causado por repuestos o accesorios no autorizados.
- No toque el ventilador o las partes móviles y no coloque una varilla o sus dedos cerca de las partes móviles durante el funcionamiento del aparato. Las piezas móviles pueden provocar lesiones graves o incluso la muerte.
- Nunca haga funcionar la bomba en seco o sin agua (esto invalidará la garantía).
- No realice operaciones de mantenimiento o reparación en el aparato con las manos mojadas o si el aparato está mojado.
- No sumerja el aparato en agua o barro.

1. ADVERTENCIAS GENERALES DE SEGURIDAD

Esta simbología (⚡ ⚠ ⚠) indica la posibilidad de peligro como consecuencia de no respetar las advertencias correspondientes.



PELIGRO. Riesgo de electrocución.

No hacer caso de esta advertencia comporta riesgo de electrocución.



PELIGRO.

No hacer caso de esta advertencia comporta riesgo de daño a las personas o cosas.



ATENCIÓN.

No hacer caso de esta advertencia comporta riesgo de daños a la bomba o a la instalación.

2. VISIÓN GENERAL DEL SISTEMA

Antes de empezar, comprueba que tienes todas las partes indicadas en la Tabla 1.

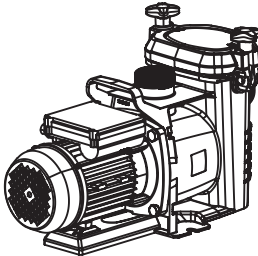
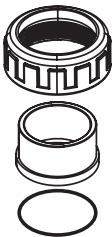
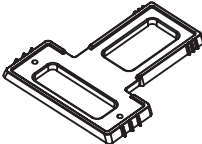

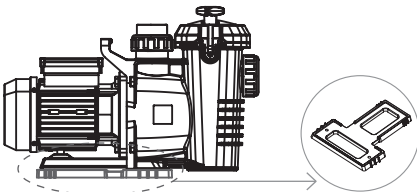
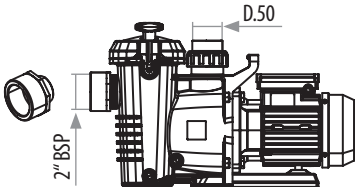
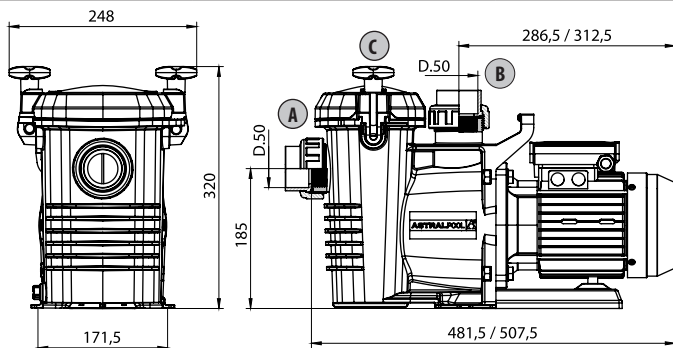
TABLA 1 - CONTENIDO			
			
Bomba Senext	Conexiones standard para tubería D.50 (x2).	Base bomba (x1).	Racor reducción 2" - 1 1/2" (x1)

TABLA 2 - OPCIONES DE RETROFIT			
			
1	Accesorio:	Base	
	Retrofit:	Hayward MaxFlo / SuperPool	
2	Accesorio:	Racor reducción 2" - 1 1/2"	
	Retrofit:	Speck BADU Magna/ Top	

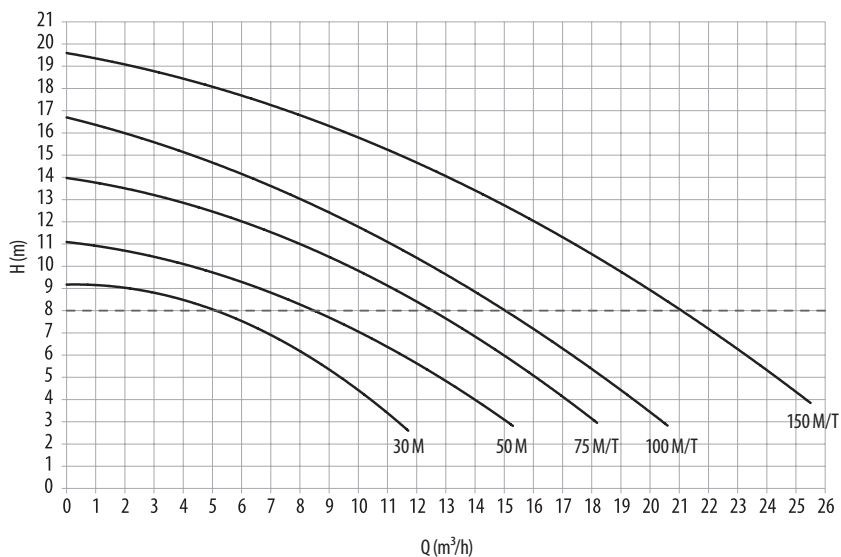
ESPECIFICACIONES									
		30M	50 M	75M	75T	100M	100T	150M	150T
Temperatura del agua de funcionamiento		5 a 35°C							
Temperatura ambiente de funcionamiento		2 a 50°C							
Motor Voltaje – nominal (*)		230Vca-50Hz		400Vca-50Hz	230Vca-50Hz	400Vca-50Hz	230Vca-50Hz	400Vca-50Hz	
Motor Potencia - fases		1P		3P	1P	3P	1P	3P	
Motor Aceptable - variación de voltaje		±10% (durante la operación)							
Motor Potencia-nominal	CV	0.50		0.75		1.00		1.50	
Motor Salida nominal (P2)	W	375		550		750		1100	
Motor Entrada máxima (P1)	W	605	770	750	1020	970	1400		
Motor Amperaje	A	2.7	3.6	1.6	5	1.9	6.5	2.5	
Motor Grado protección		IPX5							
Caudal máximo de la bomba a 3m de altura	m³/h	11.5	15.0	18.0		20.5		26	
Caudal de la bomba a 8 m de altura	m	5.0	8.5	12.5	12.5	15		21	
Altura máxima de la bomba (H max)	mH ₂ O	9	11	14		17		19.5	
	bar	0.9	1.1	1.4		1.7		1.9	
Conexiones bomba		Diámetro de la tubería de succión y descarga: 50mm Conexión roscada de succión y descarga: Externa G2 ¼" Interna G1 ½"							
Máxima salinidad del agua		6,0 g/l (6.000ppm)							

DIMENSIONES Y MARCADO



A	B	C
Entrada de agua	Salida de agua	Tapa del prefiltro

CURVAS DE RENDIMIENTO



3. INSTALACIÓN

3.1 SELECCIÓN DE LA UBICACIÓN

La bomba debe ser instalada:

- Antes del filtro, un sistema de calefacción y/o tratamiento de agua.
- A una distancia mínima de 2 metros del borde de la piscina, para evitar que se rocíe agua sobre el aparato. Algunos estándares permiten para otras distancias. Consultar las normativas vigentes en el país de instalación.
- Idealmente, 30 cm por debajo del nivel del agua.
- Fuera de un área sujeta a inundaciones o sobre base con drenaje.
- En un área ventilada, para permitir la refrigeración de la bomba.

La bomba no debe ser instalada:

- En un área sujeta a lluvia y salpicaduras.
- Cerca de una fuente de calor o fuente de gas inflamable.
- En un área que no se pueda limpiar o mantener libre de hojas, follaje seco y otros elementos inflamables.
- En la Zona 0 y Zona 1 (FIGURA 1).

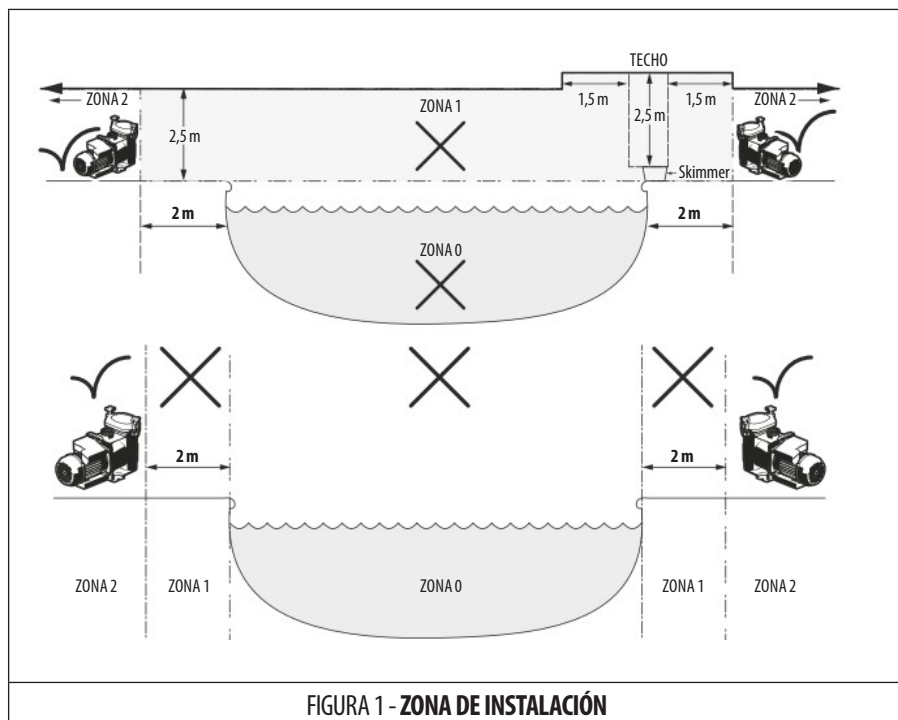
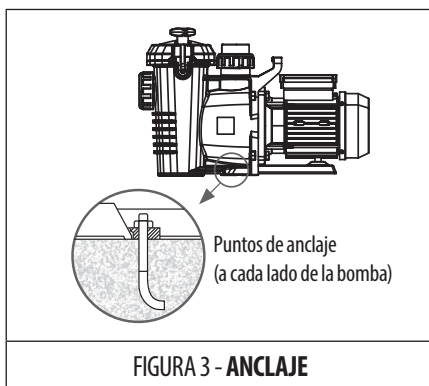
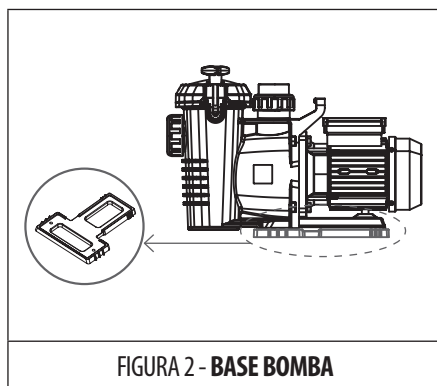


FIGURA 1 - ZONA DE INSTALACIÓN

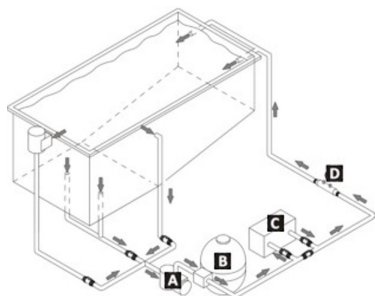
- Se requiere un fácil acceso para trabajos de mantenimiento en el aparato.
- Colóquela sobre una superficie estable, nivelada y sólida, (Por ej. suelo de hormigón).
- Si fuera necesario, usar la base para levantar la bomba hasta el nivel de tubería existente. (FIGURA 2).
- Anclar la bomba al suelo usando el perno de cimentación que se adapte adecuadamente. (FIGURA 3).



3.2 CONEXIONES HIDRÁULICAS



- Respetar la dirección de las conexiones hidráulicas.
- Elegir la dimensión de las tuberías según el tamaño de la piscina y respetando las normas hidráulicas que rigen en el país de instalación.
- Para las conexiones hidráulicas, usar las conexiones estándar previstas.
- Instale una válvula de retención si el filtro está instalado por encima del nivel del agua.
- Instale válvulas de aislamiento (succión y descarga), si la bomba está instalada por debajo del nivel del agua.
- Para evitar dificultades con el cebado, instale el tubo de aspiración sin puntos elevados en los que se pueda acumular aire.
- Comprobar que las conexiones hidráulicas estén bien apretadas y que no haya fugas.
- Las tuberías deben estar apoyadas para evitar cualquier riesgo de rotura por el peso del agua.



CONEXIONES HIDRÁULICAS

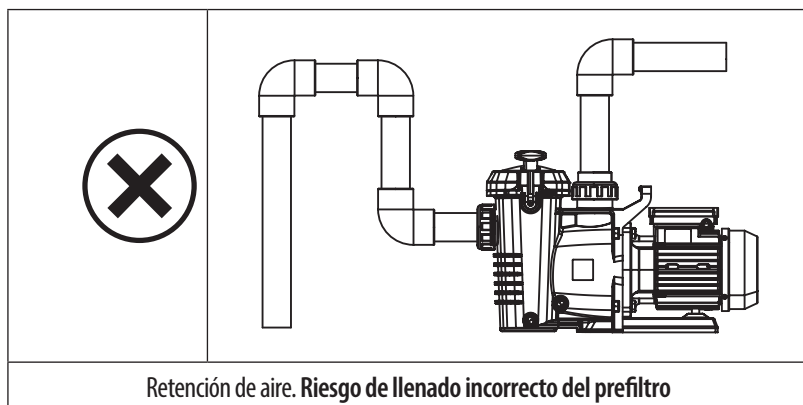
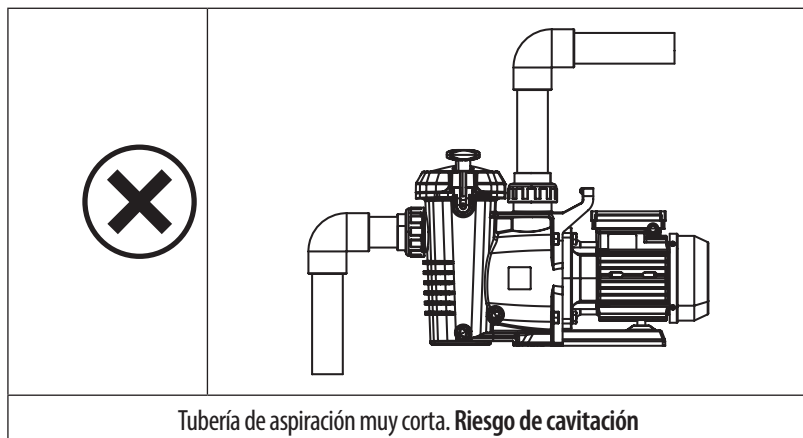
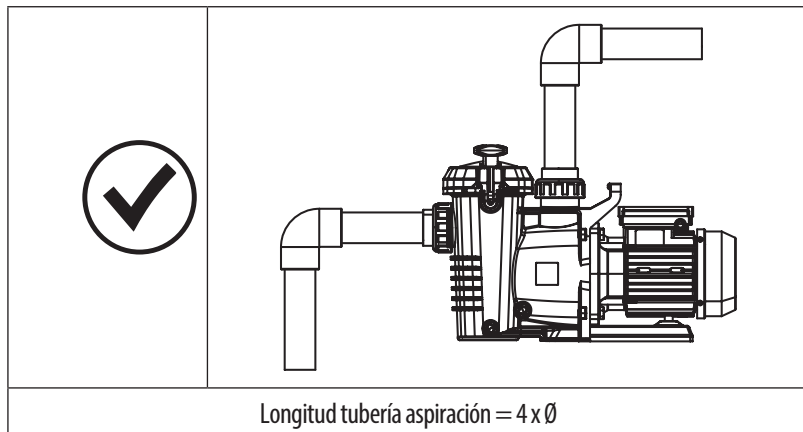
A Bomba

B Filtro

C Sistema de calefacción

D Sistema de tratamiento de agua

- Use la menor cantidad posible de codos. Si es necesario que haya más de 10 uniones con codos en el circuito hidráulico, aumente el diámetro de la tubería.



3.3 CONEXIONES ELÉCTRICAS

- Para evitar el sobrecalentamiento del tablero de terminales (podría crear riesgo de incendio), verifique que todos los terminales estén correctamente apretados. Los terminales sueltos anularán la garantía.



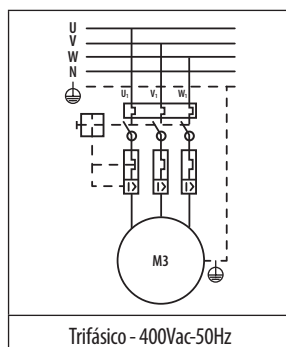
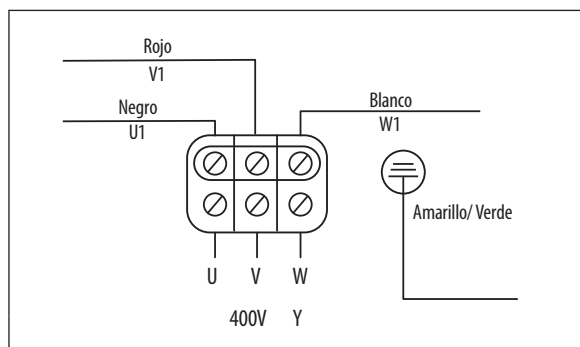
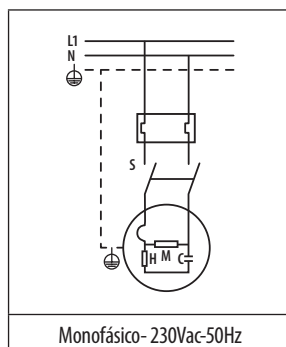
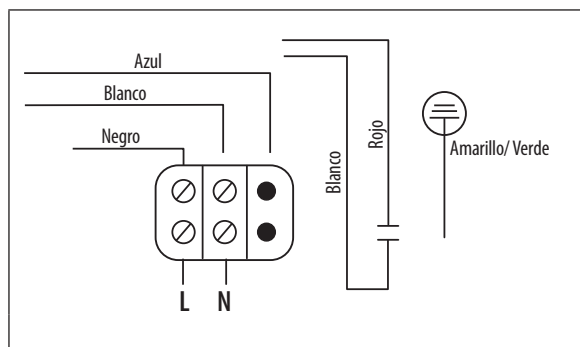
- Cualquier conexión eléctrica inadecuada, anulará la garantía.
- El cable de alimentación debe estar aislado y protegido contra abrasiones y daños.
- Utilice el prensaestopa para pasar el cable de alimentación al aparato.

3.3.1 CONEXIONES ELÉCTRICAS



Corte la electricidad e instale una toma de tierra en la bomba antes de empezar el trabajo eléctrico.

1. Desenrosque los 4 tornillos para abrir la caja de conexiones.
2. Desconecte y retire los cables de prueba de fábrica del tablero de terminales.
3. Pase el cable de alimentación por el prensaestopas y conecte los cables.
4. Cierre la caja de conexiones eléctricas, comprobando que la junta esté en su sitio, y apriete los cuatro tornillos.



4. USO

4.1 PRINCIPIO DE FUNCIONAMIENTO

La bomba de filtración forma el núcleo de la piscina y es fundamental, ya que se utiliza para circular el agua a través de los diferentes componentes, en particular el filtro.

Su motor hace rotar la turbina, que impulsa el agua. El cesto del prefiltro recoge los residuos importantes para evitar que el filtro se obstruya o se dañe.

4.2 FUNCIONAMIENTO



- Para prevenir cualquier riesgo de explosión que pueda causar daños materiales, lesiones graves o incluso la muerte, asegúrese de que el circuito hidráulico esté libre de obstrucciones, no esté bloqueado y no esté sujeto a una presión excesiva.
- La tapa del cesto del prefiltro debe cerrarse a mano (no utilice ninguna herramienta).
- Compruebe que las conexiones hidráulicas estén correctamente apretadas.
- Compruebe que la bomba esté estable y nivelada.
- El circuito hidráulico debe estar purgado y no contener cuerpos extraños.
- La tapa del cesto del prefiltro de la bomba debe estar correctamente cerrada (a mano) y su junta limpia y en su lugar.
- Compruebe que las válvulas están abiertas.
- La bomba es autoaspirante, es obligatorio llenar el prefiltro con agua antes de ponerlo en marcha por primera vez, para facilitar el procedimiento. (ver FIGURA 4).

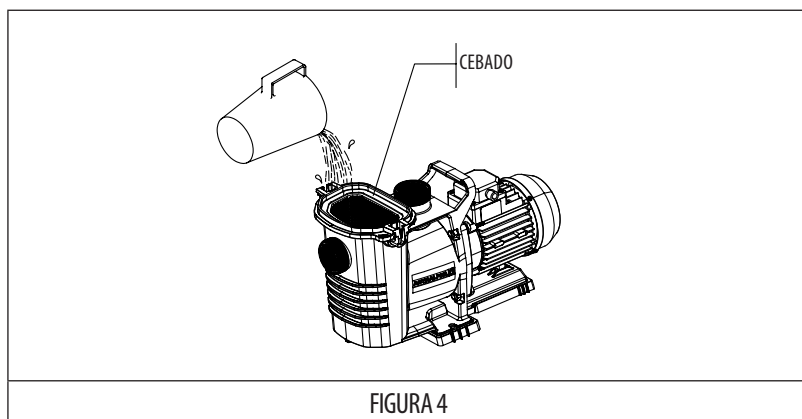


FIGURA 4

- La bomba tiene una capacidad de cebado de hasta 1,5 metros sobre el nivel del agua de la piscina y a nivel del mar (si el circuito hidráulico está perfectamente sellado).
- Purgue el aire que pueda haber en el circuito de filtración utilizando el purgado, normalmente presente en el filtro (consulte el manual del filtro de la piscina).

- Compruebe que no haya fugas en el circuito hidráulico.
- Compruebe que el motor gira en la dirección correcta (mirando el ventilador ubicado en la parte trasera del motor). (ver FIGURA 5).

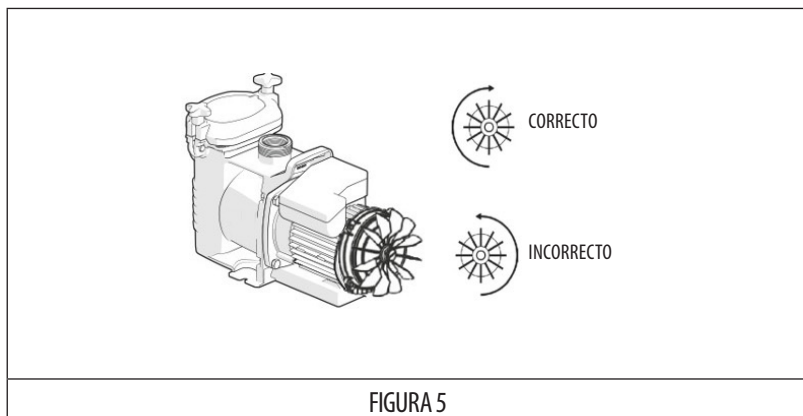


FIGURA 5

- Haga funcionar la bomba y verifique por la tapa del prefiltro que la bomba esté totalmente cebada en un período de tiempo no superior a 12 min.

5. MANTENIMIENTO

Cada 100 horas de funcionamiento en función del nivel de limpieza del agua, se deben revisar los siguientes puntos:



- Limpiar regularmente el cesto del prefiltro para evitar caídas de presión. No golpearlo durante el proceso de limpieza para evitar una posible rotura del cesto.
- Si la bomba se para, comprobar que el consumo en amperios del motor en funcionamiento es igual o inferior al marcado en la placa de características del fabricante, o en su defecto dirigirse al Servicio de Asistencia Técnica más próximo.



- Vaciar la bomba de agua en los casos que tenga que permanecer algún tiempo sin funcionar, principalmente en países fríos donde pueda existir peligro de congelación.
- Para efectuar el vaciado de la bomba, extraer el tapón de purga.
- Cada vez que se abra el prefiltro, limpiar de impurezas el asiento de la junta y la propia junta, para asegurar la estanqueidad en el cierre de la tapa (FIGURA 6).
- Los componentes de la bomba que por su uso habitual sufren desgaste y/o deterioro han de ser repuestos periódicamente para mantener el buen rendimiento de la bomba. En la siguiente tabla se detallan los componentes fungibles y/o consumibles de la bomba y el periodo de tiempo en el cuál deben sustituirse:

DESCRIPCIÓN DEL COMPONENTE	PERIODO DE TIEMPO PARA SER SUSTITUIDO
Condensador	10,000 h
Rodamientos	10,000 h
Sello mecánico	10,000 h
Juntas tóricas y otros elementos de sellado ⁽¹⁾	10,000 h

⁽¹⁾ La apertura y cierre de la bomba para la sustitución de alguno de los recambios internos no garantiza la posterior estanqueidad. Por este motivo se recomiendan sustituir, las juntas tóricas y elementos de estanqueidad siempre cuando se sustituya la junta mecánica y/o rodamientos.

El periodo de vida de las piezas anteriores ha sido establecido según condiciones normales de uso e instalación del producto.

Seguir las instrucciones del manual de instalación para mantener el periodo de vida de la bomba.

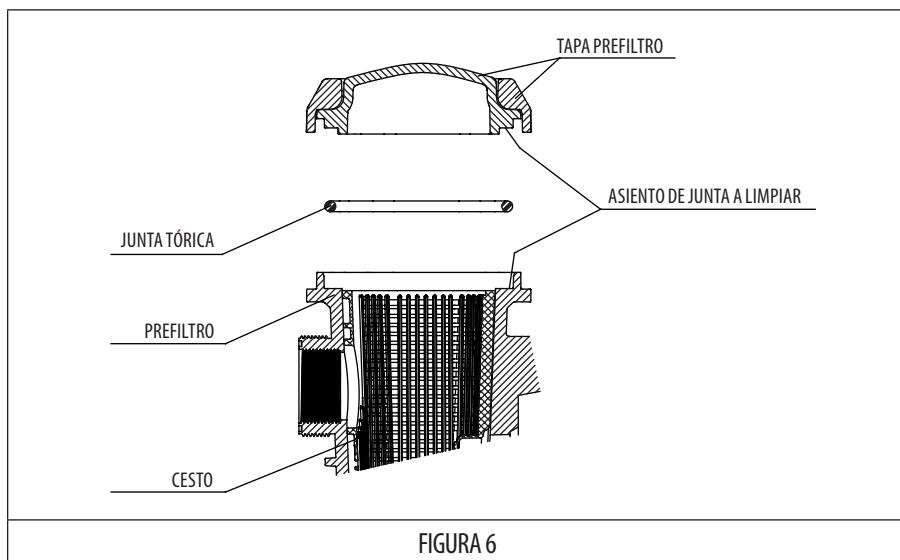


FIGURA 6

6. RESOLUCIÓN DE PROBLEMAS



- Si se produce un problema, antes de ponerse en contacto con su distribuidor, realice estas sencillas comprobaciones utilizando las siguientes tablas.
- Si el problema continúa, comuníquese con su distribuidor.
- Acciones que debe realizar únicamente un técnico cualificado.

6.1 COMPORTAMIENTO DEL APARATO

CAUSA	SOLUCIÓN
La bomba no arranca / El motor no gira.	<ul style="list-style-type: none"> • Corte de energía eléctrica. Compruebe los disyuntores. • Verifique la conexión entre el cable de alimentación y los terminales del motor. • Asegúrese de que el eje del motor gire libremente. Compruebe que no haya residuos en el cesto prefiltro. • Si quedan residuos, retire la bomba para acceder a la turbina.
La bomba no ceba / Puede haber aire en el cesto del prefiltro.	<ul style="list-style-type: none"> • Compruebe la posición de las válvulas del circuito hidráulico. • Hay aire atascado en el circuito, drene el circuito hidráulico (tornillo de drenaje en el filtro). • El nivel de agua de la piscina es demasiado bajo, el circuito está aspirando aire, llene la piscina. • La junta de la tapa del prefiltro está defectuosa, verifique el estado de la junta y la estanqueidad correcta de la tapa.
Caudal bajo / Presión de filtro baja.	<ul style="list-style-type: none"> • El cesto del prefiltro está lleno de residuos, límpielo. • Fuga de aire en el circuito. Compruebe todos los pares de apriete. • La turbina y el difusor de la bomba están bloqueados o desgastados, reemplácelos. • La junta del difusor está desgastada, reemplácela. • Rotación inversa del motor (Sólo modelos trifásicos), compruebe la conexión eléctrica de los terminales de la bomba.
Caudal bajo / Presión de filtro alta.	<ul style="list-style-type: none"> • El filtro está obstruido. Lavar el filtro (o el cartucho según el caso). • Compruebe la posición de las válvulas del circuito hidráulico.
La bomba hace mucho ruido.	<ul style="list-style-type: none"> • Fuga de aire o cavitación en la tubería de aspiración. Compruebe la posición de las válvulas y ajuste donde sea necesario. • Bomba mal colocada en el suelo. Compruebe que esté apoyado en una posición plana sobre un suelo duro y horizontal. Utilice tacos antivibración cuando sea necesario. • Hay un cuerpo extraño en el cesto del prefiltro. • Hay un cuerpo extraño en el cuerpo de la bomba (en este caso, la bomba debe retirarse y llevarla a un Servicio Técnico).
Fuga entre el cuerpo de la bomba y el motor	<ul style="list-style-type: none"> • La junta mecánica está dañada, reemplácela.

INFORMAZIONI IMPORTANTE DI SICUREZZA, INTALLAZIONE E MANUTENZIONE

Il presente manuale contiene informazioni fondamentali sulle misure di sicurezza da adottare durante l'installazione, manutenzione e la messa in servizio. È pertanto imprescindibile che l'installatore e l'utente leggano le istruzioni prima di procedere al montaggio e avvio.

Il manuale in formato PDF si può scaricare dal seguente sito: **www.astralpool.com**



- Le macchine indicate in questo manuale sono appositamente progettate per la pre-filtrazione e il ricircolo dell'acqua nelle piscine.

- Sono concepite per funzionare con acqua pulita e a temperature non superiori a 35°C.



- I lavori di montaggio, installazione elettrica e manutenzione devono essere effettuati da personale qualificato e autorizzato, dopo aver letto attentamente le istruzioni di installazione e di manutenzione.

- Questo dispositivo non può essere utilizzato da persone (adulti o bambini) con ridotte capacità fisiche, sensoriali o mentali oppure prive di esperienza e conoscenze, a meno che ciò non avvenga sotto la supervisione di una persona responsabile della loro sicurezza o previa ricezione da parte di quest'ultima di istruzioni relative all'uso in sicurezza del dispositivo. Sorvegliare i bambini per evitare che giochino con il dispositivo.

- Questo dispositivo può essere utilizzato da bambini a partire dagli 8 anni, nonché da persone con ridotte capacità fisiche, sensoriali e mentali, inesperte o prive di conoscenze, purché un'altra persona le sorvegli o abbia fornito loro le istruzioni necessarie per utilizzare il dispositivo in sicurezza, facendo loro capire anche i pericoli implicati. Questo dispositivo non è un giocattolo. I bambini non possono eseguire interventi di pulizia o manutenzione senza la supervisione di un adulto.



- Le nostre pompe possono essere montate e installate solo in piscine conformi alle norme IEC/HD 60364-7-702 e alle leggi nazionali applicabili. In caso di dubbi consultare il proprio rivenditore.

- L'installazione deve essere conforme allo standard IEC/HD 60364-7-702 e alle leggi nazionali applicabili alle piscine




- La pompa non può essere installata nella Zona 0 né nella Zona 1. Per consultare i disegni andare a pagina 50.

- La pompa è stata pensata per essere utilizzata fissata a un supporto o assicurata in un luogo specifico.
- Consultare la prevalenza massima della pompa in metri (H max) a pagina 48.
- È consigliabile installare un pozzetto di fondo con apposita uscita per lo scarico del liquido in un punto con una certa probabilità di allagamento.
- Se fosse necessario installare una pompa autoaspirante sopra il livello dell'acqua, il differenziale di pressione dell'aspirazione della pompa non dev'essere superiore a 0,015 MPa (1,5 mH₂O), facendo in modo che il condotto di aspirazione sia il più corto possibile, poiché una tubatura più lunga incrementa il tempo di aspirazione e le perdite di carico dell'installazione.
- La macchina va collegata ad una presa di tensione a corrente alternata (Vedi dati su coperchio delle caratteristiche della pompa), con una connessione a terra, protetta con un interruttore differenziale (RCD) con una corrente di servizio residua assegnata che non ecceda i 30 mA.



- Il mancato rispetto delle avvertenze può provocare gravi danni all'attrezzatura della piscina o lesioni personali addirittura letali.
- Rispettare le norme vigenti in materia di prevenzione degli infortuni.
- Prima di maneggiare la pompa, assicurarsi che sia spenta e scollegata dalla rete elettrica.
- Se la pompa non funziona, non cercare di ripararla personalmente, ma contattare un tecnico qualificato.
- Il fabbricante deve approvare previamente qualsiasi modifica che si intenda apportare alla pompa. I pezzi di ricambio e gli accessori originali autorizzati dal fabbricante garantiscono una maggiore sicurezza. Il fabbricante della pompa è esonerato da qualsiasi responsabilità per danni causati da pezzi di ricambio o accessori non autorizzati.
- Evitare di toccare la ventola o le parti in movimento, nonché di inserirvi un'asta o le dita quando la pompa è un funzione. Le parti in movimento possono causare lesioni gravi, addirittura letali.
- Non far mai funzionare la pompa a secco o senza acqua (ciò annullerebbe la garanzia).
- Non eseguire interventi di manutenzione o riparazione sulla pompa con le mani bagnate o quando la pompa è bagnata.
- Non immergere la pompa nell'acqua o nel fango.

1. PRESCRIZIONI GENERALI DI SICUREZZA

Questi simboli (  ) indicano una possibile situazione di pericolo come conseguenza del mancato rispetto delle istruzioni corrispondenti.



PERICOLO. Rischio di folgorazione.

La mancata osservanza di questa prescrizione comporta il rischio di folgorazione.



PERICOLO.

La mancata osservanza di questa prescrizione comporta il rischio di danni a persone e cose.



ATTENZIONE.

La mancata osservanza di questa prescrizione comporta il rischio di danni alla pompa o all'impianto.

2. PANORAMICA DEL SISTEMA

Prima di iniziare, assicurarsi di disporre tutti i componenti riportati nella tabella 1.

TABELLA 1 - COMPONENTI

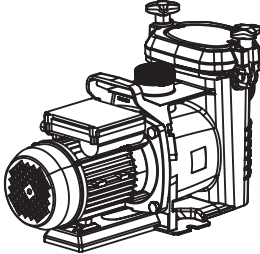

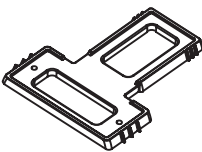
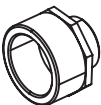
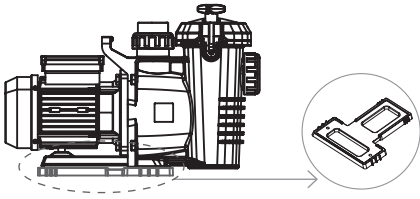
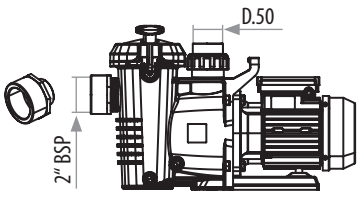
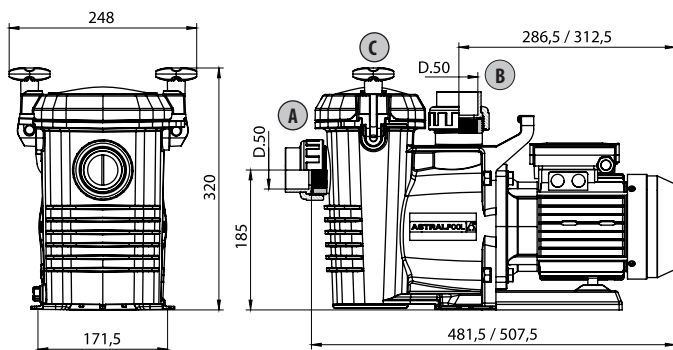
			
Pompa Senext	Raccordi standard per tubazioni D.50 (x2)	Base della pompa (x1)	Raccordo di riduzione 2" - 1 1/2" (x1)

TABELLA 2 - POSSIBILITÀ DI RETROFIT

	
1	2
Accessorio: Base	Accessorio: Raccordo di riduzione 2" - 1 1/2"
Retrofit: Hayward MaxFlo/SuperPool	Retrofit: Speck BADU Magna/Top

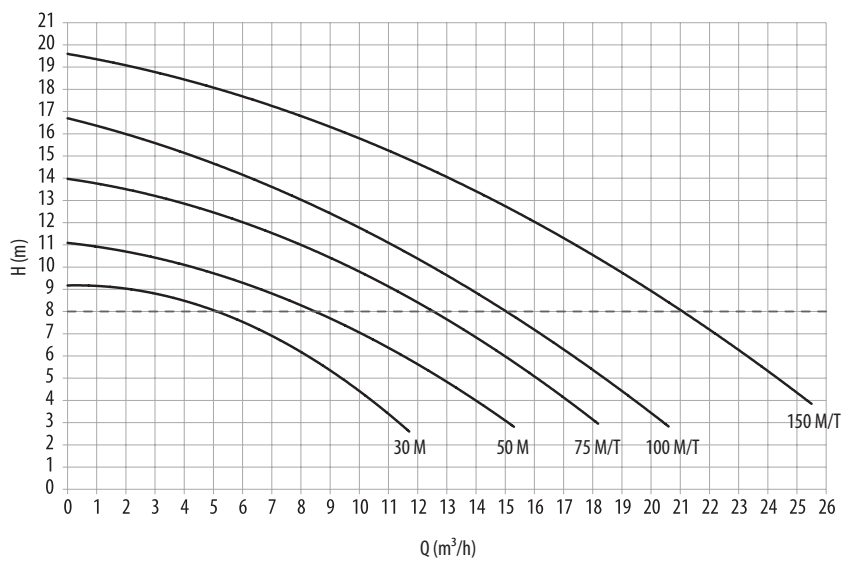
SPECIFICHE TECNICHE										
		30M	50M	75M	75T	100M	100T	150M	150T	
Temperatura dell'acqua di esercizio		da 5 a 35°C								
Temperatura ambiente di esercizio		da 2 a 50°C								
Tensione del motore - nominale (*)		230Vca-50Hz		400Vca-50Hz	230Vca-50Hz	400Vca-50Hz	230Vca-50Hz	400Vca-50Hz		
Potenza del motore - fasi		Monofase		Trifase	Mono-fase	Trifase	Mono-fase	Trifase		
Motore accettabile - variazione di tensione		±10% (durante l'esercizio)								
Potenza nominale del motore	CV	0,50		0,75		1,00		1,50		
Uscita nominale del motore (P2)	W	375		550		750		1100		
Ingresso massimo del motore (P1)	W	605	770	750	1020	970	1400			
Intensità del motore	A	2,7	3,6	1,6	5	1,9	6,5	2,5		
Grado di protezione del motore		IPX5								
Portata massima della pompa a 3 m di prevalenza	m ³ /h	11,5	15,0	18,0		20,5		26		
Portata della pompa a 8 m di prevalenza	m	5,0	8,5	12,5	12,5	15		21		
Prevalenza massima della pompa (H max)	mH ₂ O	9	11	14		17		19,5		
	bar	0,9	1,1	1,4		1,7		1,9		
Raccordi della pompa		Diametro delle tubazioni di aspirazione e di mandata: 50 cm Raccordo filettato di aspirazione e mandata: esterno G2 ¼"/interno G1 ½"								
Salinità massima dell'acqua		6,0 g/l (6.000 ppm)								

DIMENSIONI E MARCATURA



A	B	C
Ingresso acqua piscina	Uscita acqua piscina	Coperchio prefiltro

CURVE DI PRESTAZIONE



3. INSTALLAZIONE

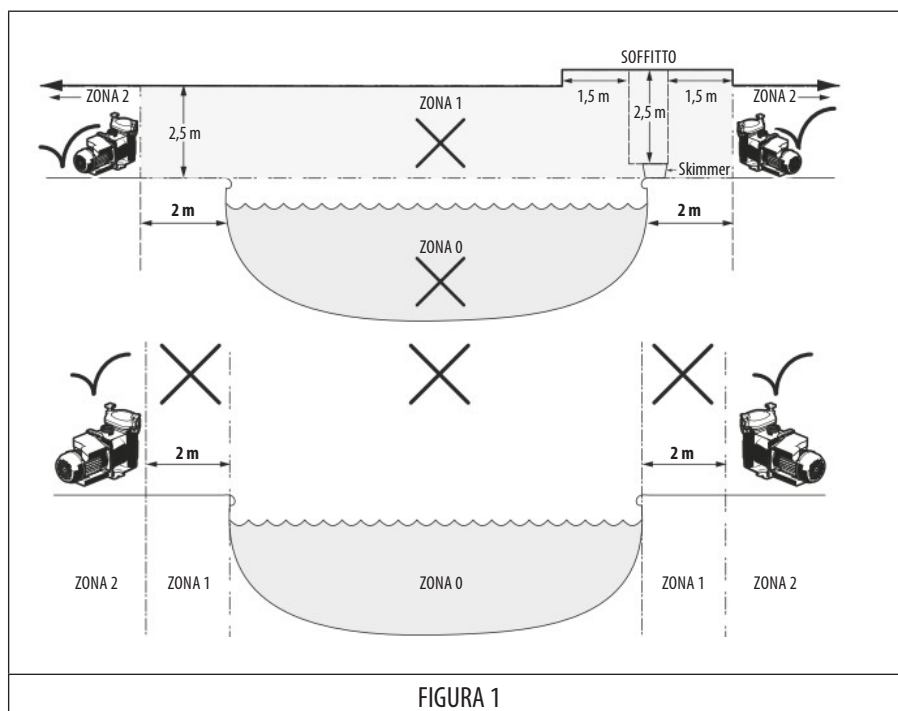
3.1 SCELTA DEL LUOGO

Posizionare la pompa:

- A monte del filtro, un sistema di riscaldamento e/o di trattamento dell'acqua.
- A una distanza di almeno 2 metri dal bordo piscina, per evitare spruzzi d'acqua sulla pompa. Alcuni standard ammettono distanze diverse. Consultare le norme in vigore nel Paese di installazione.
- Idealmente, 30 cm sotto il livello dell'acqua.
- Fuori da zone soggette a inondazioni o su una base provvista di sistema di drenaggio.
- In una zona ventilata, per permettere il raffreddamento della pompa.

È vietato posizionare la pompa:

- In una zona esposta a pioggia e spruzzi.
- Vicino a una fonte di calore o di gas infiammabile.
- In una zona che non si possa pulire o tenere libera da foglie, fogliame secco e altri elementi infiammabili.
- Nella zona 0 e nella zona 1 (FIGURA 1).



- È necessario potervi accedere facilmente per eseguire le operazioni di manutenzione della pompa.
- Disporla su una superficie stabile, piana e resistente (ad esempio, una pavimentazione in cemento).
- Se necessario, utilizzare la base per sollevare la pompa fino al livello delle tubazioni esistenti (FIGURA 2).
- Ancorare la pompa al suolo con l'ausilio di un bullone di fondazione appropriato (FIGURA 3).

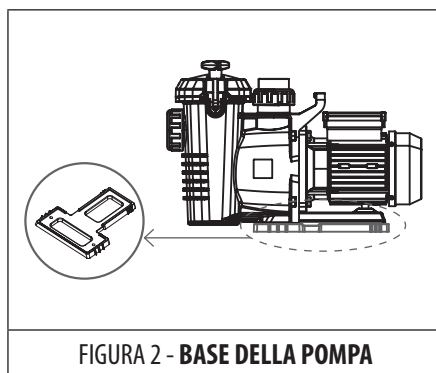


FIGURA 2 - BASE DELLA POMPA

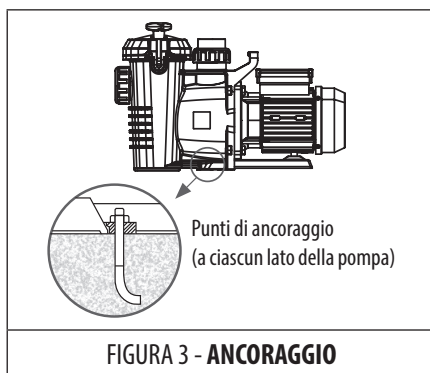


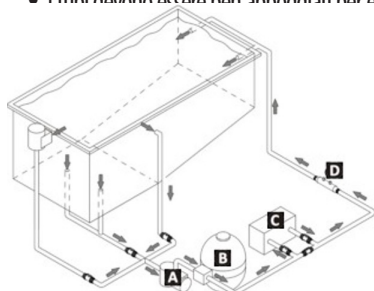
FIGURA 3 - ANCORAGGIO

3.2 COLLEGAMENTI IDRAULICI



- Rispettare la direzione dei collegamenti idraulici.

- Scegliere le dimensioni delle tubazioni in base alle dimensioni della piscina e in conformità alle norme idrauliche in vigore nel Paese di installazione.
- Per effettuare i collegamenti idraulici utilizzare i raccordi standard previsti.
- Se il filtro è posizionato sopra il livello dell'acqua installare una valvola di non ritorno.
- Se la pompa è posizionata sotto il livello dell'acqua installare delle valvole di isolamento (aspirazione e mandata).
- Per evitare difficoltà di adescamento, installare il tubo di aspirazione in modo tale da evitare punti sopraelevati dove si potrebbe accumulare aria.
- Controllare che i collegamenti idraulici siano ben fissi e che non esistano fughe.
- I tubi devono essere ben ancorati per evitare qualsiasi rischio di rottura a causa del peso dell'acqua.



CONEXIONES HIDRÁULICAS

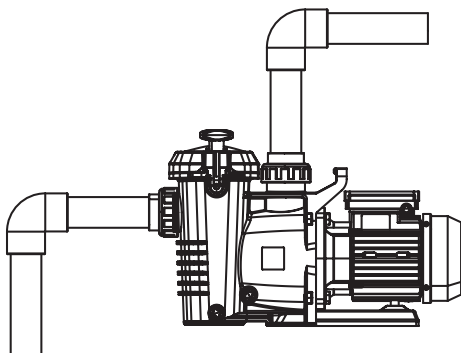
A Pompa

B Filtro

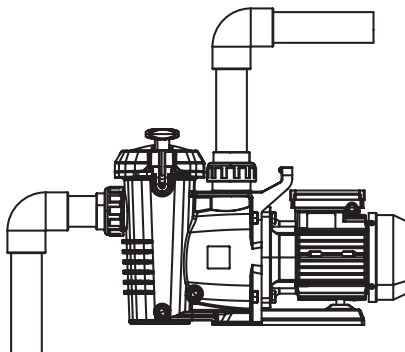
C Sistema di riscaldamento

D sistema di trattamento dell'acqua

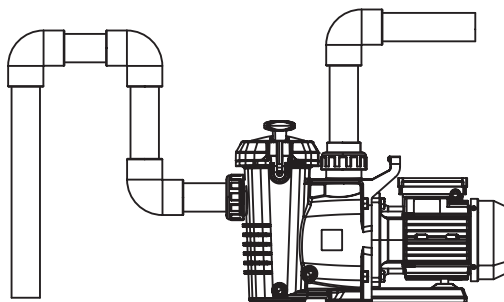
- Utilizzare il minor numero possibile di giunti a gomito. Qualora fossero necessari più di 10 giunti a gomito nel circuito idraulico, aumentare il diametro del tubo.



Lunghezza del tubo di aspirazione = $4 \times \varnothing$



Tubo di aspirazione molto corto. **Rischio di cavitazione**



Ritenzione dell'aria. **Rischio di riempimento errato del prefiltro**

3.3 COLLEGAMENTI DELL'ALIMENTAZIONE

- Per evitare il surriscaldamento della morsettieria (e, di conseguenza, un pericolo di incendio), controllate che tutti i morsetti siano ben serrati. La presenza di morsetti allentati è motivo di annullamento della garanzia.



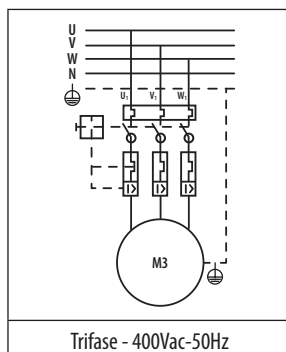
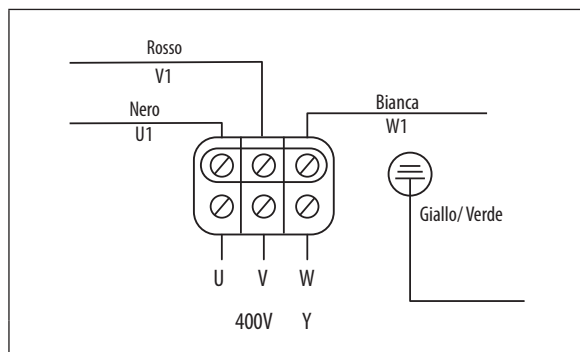
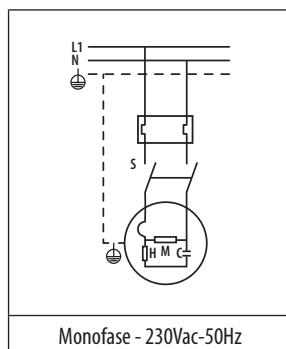
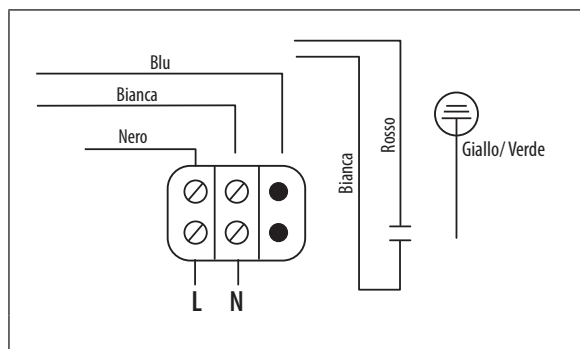
- Qualsiasi collegamento elettrico non adeguato annullerà la garanzia.
- Il cavo di alimentazione deve essere isolato e protetto da abrasioni e danni.
- Inserire il cavo di alimentazione nell'apposito pressacavo prima di collegarlo alla pompa.

3.3.1 COLLEGAMENTI ELETTRICI



Staccare la corrente e connettere a massa la pompa prima di iniziare le operazioni. con l'impianto elettrico.

1. Allentare le 4 viti per aprire la scatola di connessione.
2. Scollegare e rimuovere i cavi di collaudo in fabbrica dalla morsettieria.
3. Posare il cavo di alimentazione attraverso il passacavi e collegare i cavi.
4. Chiudere la scatola dei collegamenti elettrici, verificando che la guarnizione resti in posizione, quindi stringere le 4 viti.



4. USO

4.1 PRINCIPIO DI FUNZIONAMENTO

La pompa di filtrazione rappresenta il cuore della piscina ed è essenziale perché serve a far circolare l'acqua attraverso i vari componenti, in particolare il filtro.

Il rispettivo motore fa ruotare la girante che, a sua volta, spinge l'acqua. Il cestello del prefiltro serve per raccogliere la maggior parte dei detriti per evitare che il filtro si intasi o si danneggi.

4.2. FUNZIONAMENTO



- Per prevenire qualsiasi rischio di esplosione che possa provocare danni materiali, lesioni gravi o addirittura la morte, assicurarsi che il circuito idraulico sia privo di ostruzioni, sia sbloccato e non soggetto a una pressione eccessiva.
- Il coperchio del cestello del prefiltro va chiuso manualmente (non usare strumenti).
- Controllare che i collegamenti idraulici siano serrati correttamente.
- Controllare che la pompa sia stabile e che poggi su una superficie piana.
- Sfiatare il circuito idraulico ed escludere la presenza di corpi estranei.
- Il coperchio del cestello del prefiltro della pompa deve essere stato ben chiuso (manualmente) e la rispettiva guarnizione deve essere pulita e trovarsi nella posizione prevista.
- Controllare che le valvole siano aperte.
- La pompa è autoadescante, è obbligatorio riempire d'acqua il prefiltro prima di metterla in funzione per la prima volta al fine di facilitare la procedura (FIGURA 4).

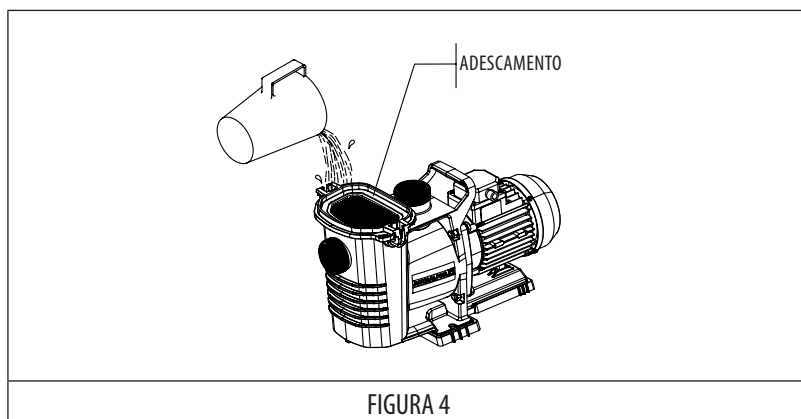


FIGURA 4

- La pompa ha una capacità di adescamento fino a 1,5 metri sopra il livello dell'acqua della piscina e a livello del mare (se il circuito idraulico è perfettamente sigillato).
- Sfiatare l'aria eventualmente presente nel circuito di filtrazione, utilizzando la funzione di sfiato normalmente prevista dal filtro (consultare il manuale del filtro della piscina).

- Verificare che non vi siano fughe nel circuito idraulico.
- Controllare che il motore ruoti nella direzione corretta (guardare la ventola situata nella parte posteriore del motore) (FIGURA 5).

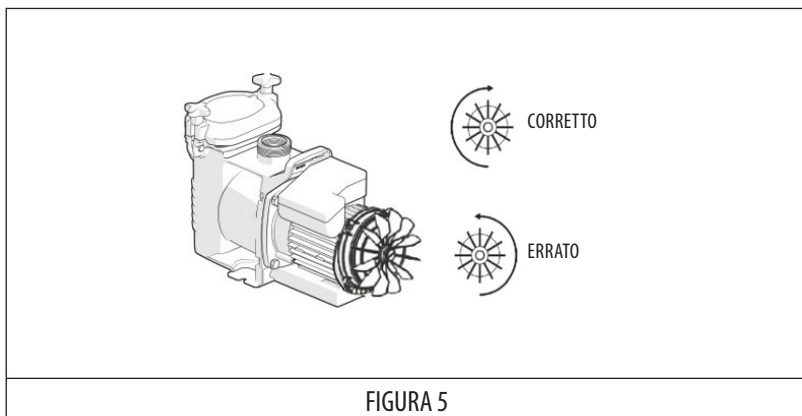


FIGURA 5

- Far funzionare la pompa e controllare attraverso il coperchio del prefiltro che sia completamente adescata entro al massimo 12 min.

5. MANUTENZIONE

Ogni 100 ore di funzionamento a seconda del livello di pulizia dell'acqua, devono essere controllati i seguenti punti:



- Pulire regolarmente il cesto del prefiltro per evitare cali di pressione. Non colpirlo durante il processo per evitare una possibile rottura del cesto.
- Se la pompa si ferma, verificare che il consumo in ampère del motore acceso sia uguale o inferiore al valore indicato nella targhetta delle caratteristiche del fabbricante o, in caso di assenza della stessa, rivolgersi al servizio di assistenza tecnica più vicino.



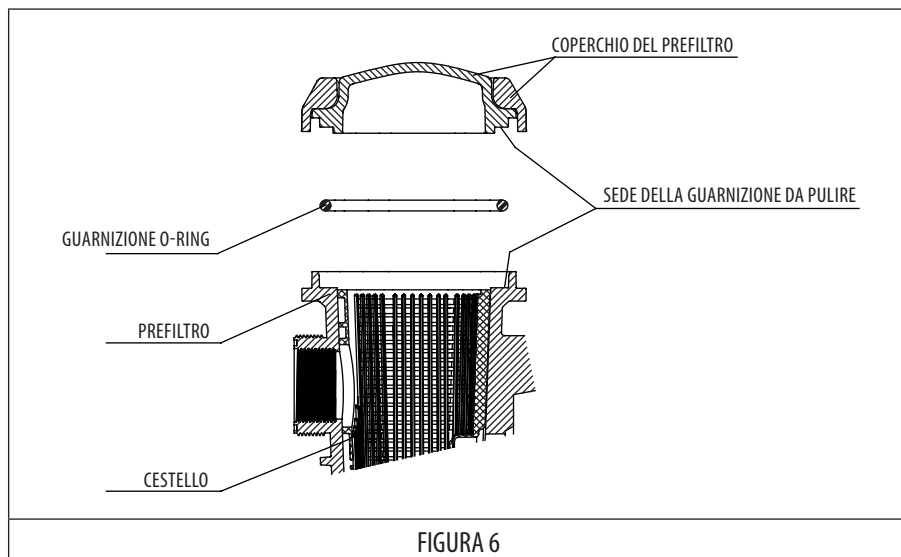
- Svuotare la pompa nei casi in cui debba rimanere inattiva per un periodo prolungato, in particolare nei Paesi freddi dove sussiste il rischio di congelamento.
- Per effettuare lo svuotamento della pompa, estrarre il tappo di spurgo.
- Ogni volta che si apre il prefiltro, togliere le impurità dalla sede della guarnizione e dalla guarnizione stessa per assicurare che la chiusura del coperchio sia a tenuta stagna (FIGURA 6).
- Per mantenere il buon rendimento della pompa, sostituirne periodicamente i componenti che, per l'uso normale, sono soggetti a usura e/o deterioramento. Nella seguente tabella si elencano gli articoli soggetti a usura e/o di consumo della pompa, nonché si indica l'intervallo di sostituzione consigliato:

DESCRIZIONE DEL COMPONENTE	INTERVALLO DI SOSTITUZIONE
Condensatore	10.000 ore
Cuscinetti	10.000 ore
Chiusura meccanica	10.000 ore
Giunti e altri elementi di tenuta ⁽¹⁾	10.000 ore

⁽¹⁾ L'apertura e la chiusura della pompa per la sostituzione di uno qualsiasi dei pezzi di ricambio interni non garantisce la successiva tenuta stagna. Per questo motivo, si consiglia di sostituire gli O-ring e gli elementi di tenuta ogni volta che si sostituiscono la tenuta meccanica e/o i cuscinetti.

Il periodo stimato di vita dei pezzi precedenti è stato stabilito in base alle normali condizioni d'uso e installazione del prodotto.

Seguire le istruzioni del manuale di installazione per mantenere il periodo di vita della pompa.



6. RISOLUZIONE DI PROBLEMI



- In caso di problemi, prima di contattare il proprio rivenditore, eseguire le semplici verifiche proposte nelle tabelle sottostanti.
- Se il problema persiste, contattare il rivenditore.
- Azioni che devono essere eseguite solo da un tecnico qualificato.

6.1. COMPORTAMENTO DELLA POMPA

CAUSA	SOLUZIONE
La pompa non si avvia/il motore non ruota.	<ul style="list-style-type: none"> • Interruzione di corrente. Controllare gli interruttori magnetotermici. • Controllare il collegamento tra il cavo di alimentazione e i morsetti del motore. • Assicurarsi che l'albero del motore ruoti liberamente. Controllare che non siano presenti dei residui nel cestello del prefiltro. • Qualora fossero rimasti dei detriti, rimuovere la pompa per accedere alla girante.
La pompa non si adescia/possibile presenza d'aria nel cestello del prefiltro.	<ul style="list-style-type: none"> • Verificare la posizione delle valvole nel circuito idraulico. • È presente dell'aria nel circuito, per cui è necessario sfiatarlo (vite di sfiato sul filtro). • Il livello dell'acqua nella piscina è troppo basso, per cui il circuito sta aspirando aria. Riempire d'acqua la piscina. • La guarnizione del coperchio del prefiltro è difettosa. Controllare lo stato della guarnizione e la corretta tenuta del coperchio.
Bassa portata/bassa pressione del filtro.	<ul style="list-style-type: none"> • Il cestello del prefiltro è pieno di detriti. Pulirlo. • Fuga d'aria nel circuito. Verificare tutte le coppie di serraggio. • La girante e il diffusore della pompa sono bloccati o usurati, sostituirli. • La guarnizione del diffusore è usurata, sostituirla. • Inversione della rotazione del motore (solo modelli trifase), controllare il collegamento elettrico dei morsetti della pompa.
Bassa portata/alta pressione del filtro.	<ul style="list-style-type: none"> • Il filtro è ostruito. Lavare il filtro (o la cartuccia, a seconda dei casi). • Verificare la posizione delle valvole nel circuito idraulico.
La pompa fa molto rumore.	<ul style="list-style-type: none"> • Fuga d'aria o cavitazione nelle tubazioni di aspirazione. Verificare la posizione delle valvole e regolare, se necessario. • La pompa non è ben posizionata a terra. Verificare che poggi su una superficie piana, dura e orizzontale. Se necessario, utilizzare dei tasselli antivibrazione. • Nel cestello del prefiltro è presente un corpo estraneo. • Nel corpo della pompa è presente un corpo estraneo (in questo caso, occorre rimuovere la pompa e portarla in un centro di assistenza tecnica).
Fuga tra il corpo della pompa e il motore.	<ul style="list-style-type: none"> • La guarnizione meccanica è danneggiata, sostituirla.

WICHTIGE SICHERHEIT, INSTALLATIONS- UND WARTUNGSMITTELSINFORMATIONEN

Dieses Handbuch enthält wesentliche Informationen über die Sicherheitsvorkehrungen, die bei der Installation, die Wartung und Inbetriebnahme zu treffen sind. Daher ist es unbedingt erforderlich, dass sowohl der Installateur als auch der Benutzer vor Beginn der Montage und Inbetriebnahme diese Anweisungen lesen.

Dieses Handbuch kann als PDF von der folgenden Seite heruntergeladen werden:
www.astralpool.com



- Die in diesem Handbuch behandelten Maschinen sind speziell für die Vorfiltration und die Umwälzung des Wassers in Schwimmbecken ausgelegt.
- Sie sind für den Betrieb mit sauberem Wasser bei Temperaturen von max. 35 °C ausgelegt.



- Montagearbeiten, Elektroinstallation und Wartungsarbeiten müssen von zugelassenen Fachkräften ausgeführt werden, die vorher die Installations- und Betriebsanleitungen aufmerksam gelesen haben.

- Dieses Gerät ist nicht für die Benutzung durch Personen (einschließlich Kindern) mit eingeschränkten körperlichen, sensorischen oder geistigen Fähigkeiten, oder mit Mangel an Erfahrung und Wissen bestimmt, es sei denn, sie erhalten Beaufsichtigung oder Anleitung hinsichtlich der Benutzung des Geräts durch eine für ihre Sicherheit verantwortliche Person. Kinder müssen beaufsichtigt werden um sicherzustellen, dass sie nicht mit dem Gerät spielen.

- Dieses Gerät kann von Kindern im Alter von mindestens 8 Jahren und Personen mit eingeschränkten körperlichen, sensorischen oder geistigen Fähigkeiten oder Mangel an Erfahrung und Wissen benutzt werden, wenn sie dabei beaufsichtigt werden oder eine Anleitung hinsichtlich der sicheren Benutzung des Geräts erhalten und die damit verbundenen Gefahren verstanden haben. Kinder dürfen nicht mit dem Gerät spielen. Reinigung und Benutzerwartung darf nicht von Kindern ohne Beaufsichtigung ausgeführt werden.






- Unsere Pumpen dürfen nur in Schwimmbädern installiert werden, die den Normen IEC/HD 60364-7-702 und den nationalen Vorschriften entsprechen. Wenden Sie sich im Zweifel an Ihren Händler.

- Die Installation muss der Norm IEC/HD 60364-7-702 und den nationalen Vorschriften für Schwimmbäder entsprechen.

- Die Pumpe darf nicht in Zone 0 und Zone 1 installiert werden. Zeichnungen finden Sie auf Seite 64.

- Vor ihrer Nutzung muss die Pumpe an einer Halterung oder an einem bestimmten Standort befestigt werden.
- Siehe maximaler Gesamtdruck (H max) in Metern auf Seite 62.
- Für eine Stelle, an der mit Überschwemmungen zu rechnen ist, wird die Installation einer Bodenablauf mit angemessenem Auslass für die Flüssigkeit empfohlen.
- Falls eine selbstansaugende Pumpe über dem Wasserniveau zu installieren ist, darf der Druckunterschied zur Absaugung der Pumpe nicht mehr als 0,015 MPa (1,5 mH₂O) betragen, damit der Ansaugvorgang so kurz wie möglich gehalten wird. Eine längere Rohrleitung erhöht die Ansaugzeit und den Ladeverlust der Anlage.
- Das Gerät muss an einen Wechselstromanschluss mit Erdung angeschlossen werden (siehe Daten auf der Plakette mit den Eigenschaften der Pumpe). Dieser muss durch ein Differential (RCD) mit höchstens 30 mA gesichert sein.
-  • Die Nichteinhaltung der Warnhinweise kann an den Geräten des Schwimmbads schwere Schäden verursachen oder zu schweren bzw. tödlichen Verletzungen führen.
- Beachten Sie die geltenden Vorschriften zur Unfallverhütung.
- Stellen Sie vor der Handhabung des Geräts sicher, dass dieses ausgeschaltet und von der Stromversorgung getrennt wurde.
- Versuchen Sie nicht, bei Auftreten einer Störung das Gerät selbst zu reparieren; wenden Sie sich an einen qualifizierten Techniker.
- Sämtliche Änderungen an der Pumpe erfordern die vorherige Genehmigung des Herstellers. Die vom Hersteller genehmigten Ersatz- und Zubehörteile gewährleisten eine größere Sicherheit. Der Pumpenhersteller übernimmt keine Haftung für jegliche durch nicht genehmigte Ersatz- und Zubehörteile verursachte Schäden.
- Berühren Sie weder den Ventilator noch die beweglichen Teile und legen Sie während des Betriebs des Geräts keinen Stab oder Ihre Finger in die Nähe der beweglichen Teile. Die beweglichen Teile können schwere bzw. tödliche Verletzungen verursachen.
- Lassen Sie die Pumpe niemals trocken oder ohne Wasser laufen (hierdurch wird die Garantie ungültig).
- Führen Sie an dem Gerät keine Wartungs- oder Reparaturarbeiten mit nassen Händen, oder wenn das Gerät nass ist, aus.
- Tauchen Sie das Gerät nicht in Wasser oder Schlamm.

1. ALLGEMEINE SICHERHEITSVORSCHRIFTEN

Diese Symbole (  ) weisen auf eventuelle Gefahren infolge der Nichtbeachtung der entsprechenden Vorschriften hin.



GEFAHR. Stromschlagrisiko.

Die Nichtbeachtung dieser Bestimmung birgt ein Stromschlagrisiko.



GEFAHR.

Die Nichtbeachtung dieser Bestimmung birgt ein Risiko von Personen- oder Sachschäden.



ACHTUNG.

Die Nichtbeachtung dieser Bestimmung birgt ein Risiko von Schäden an der Pumpe oder der Anlage.

2. SYSTEM-ÜBERSICHT

Überprüfen Sie vor Beginn, ob Sie alle in Tabelle 1 angegebenen Teile haben.

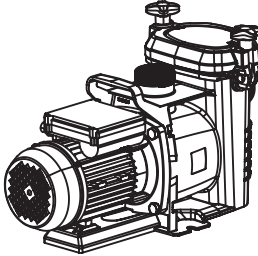
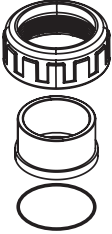
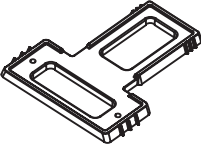

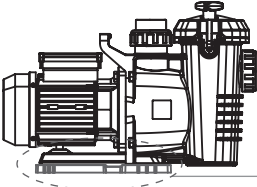
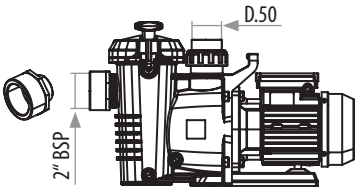
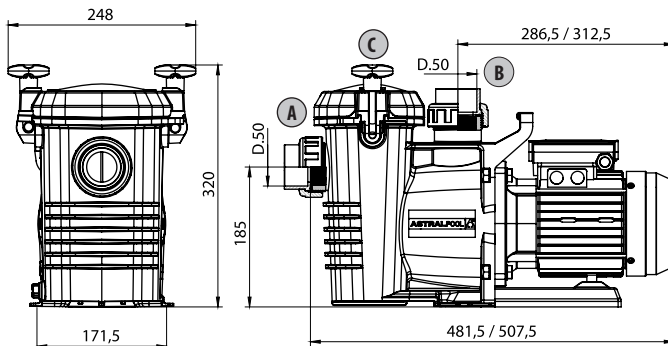
TABELLE 1 - INHALT			
			
Pumpe Senext	Standardanschlüsse für Rohrleitungen D.50 (x2).	Pumpensockel (x1).	Reduzierstück 2" - 1 1/2" (x1)

TABELLE 2 - NACHRÜSTUNGSOPTIONEN			
			
1	Zubehör: Sockel Nachrüstung: Hayward MaxFlo / SuperPool	2	Zubehör: Reduzierstück 2" - 1 1/2" Nachrüstung: Speck BADU Magna/ Top

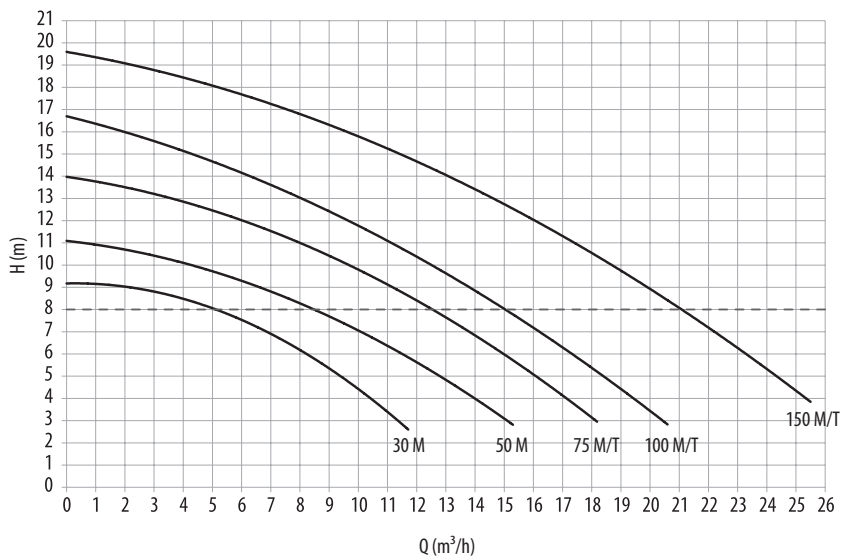
SPEZIFIKATIONEN:									
		30M	50 M	75M	75T	100M	100T	150M	150T
Wassertemperatur für den Betrieb		5 bis 35°C							
Umgebungstemperatur für den Betrieb		2 bis 50°C							
Motor Nennspannung (*)		230V AC-50Hz			400V AC-50Hz	230V AC-50Hz	400V AC-50Hz	230V AC-50Hz	400V AC-50Hz
Motorleistung - Phasen		1P			3P	1P	3P	1P	3P
Motor zulässige - Spannungsabweichung		±10% (während des Betriebs)							
Motor Leistung-nominal	PS	0,50		0,75		1,00		1,50	
Motor Ausgangsnennleistung (P2)	W	375		550		750		1100	
Motor maximale Eingangsleistung (P1)	W	605		770	750	1020	970	1400	
Motor Stromstärke	A	2,7		3,6	1,6	5	1,9	6,5	2,5
Motor Schutzart		IPX5							
Maximaler Pumpen- Volumenstrom bei 3m Wassersäule	m ³ /h	11,5	15,0	18,0		20,5		26	
Pumpen-Volumenstrom bei 8m Wassersäule	m	5,0	8,5	12,5	12,5	15		21	
Maximale Pumpen- Förderhöhe (H max)	mH ₂ O	9	11	14		17		19,5	
	bar	0,9	1,1	1,4		1,7		1,9	
Pumpen-Anschlüsse		Durchmesser der Saug- und Druckleitung: 50mm Verschraubung für Saug- und Druckseite: Außen G2 ¼" / Innen G1 ½"							
Maximaler Salzgehalt des Wassers		6,0 g/l (6.000ppm)							

ABMESSUNGEN UND KENNZEICHNUNG



A	B	C
Wassereinlass	Wasserauslass	Deckel des Vorfilters

LEISTUNGSKURVEN



3. INSTALLATION

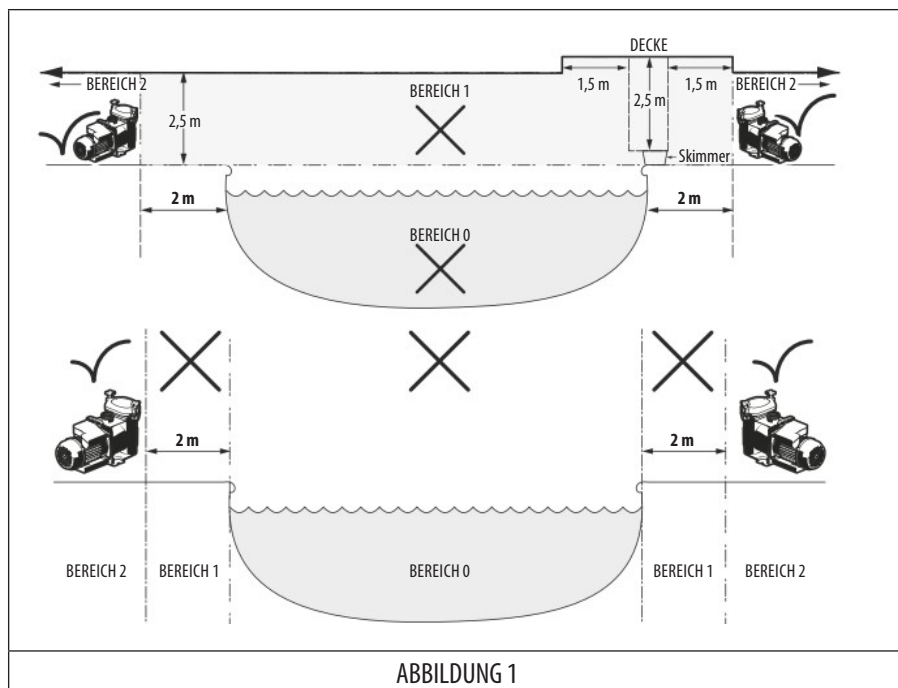
3.1 AUSWAHL DES AUFSTELLUNGORTES

Die Pumpe muss wie folgt installiert werden:

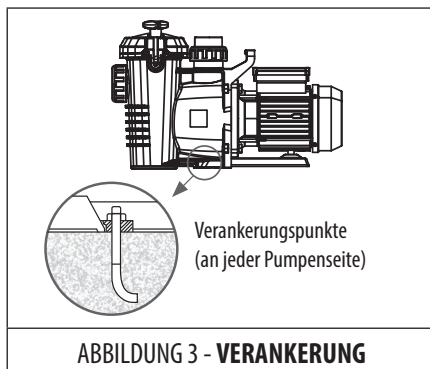
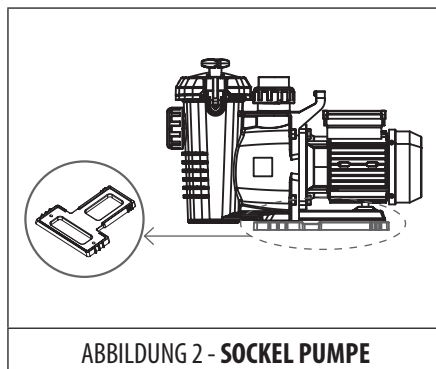
- Vor dem Filter, Heiz- und/oder Wasserbehandlungssystem
- In einem Mindestabstand von 2 Metern vom Beckenrand zur Vermeidung von Wasserspritzern auf das Gerät Einige Normen lassen andere Abstände zu. Prüfen Sie die in dem Land der Installation geltenden Vorschriften.
- Idealerweise 30 cm unterhalb des Wasserspiegels.
- Außerhalb eines überflutungsgefährdeten Bereichs oder auf einem Sockel mit Ablauf.
- An einem belüfteten Ort, um die Abkühlung der Pumpe zu ermöglichen.

Die Pumpe darf nicht wie folgt installiert werden:

- In regen- und spritzwassergefährdeten Bereichen
- In der Nähe einer Wärmequelle oder entflammaren Gasen.
- In einem Bereich, der nicht zu reinigen ist oder nicht frei von Blättern, trockenem Laub und anderen brennbaren Dingen gehalten werden kann.
- Im Bereich 0 und Bereich 1 (ABBILDUNG 1).



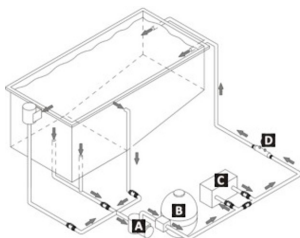
- Ein leichter Zugang für Wartungsarbeiten an dem Gerät ist erforderlich.
- Auf einer stabilen, ebenen und festen Fläche aufstellen, (z.B. Betonboden).
- Bei Bedarf den Sockel verwenden, um die Pumpe bis auf Niveau der bestehenden Rohrleitungen anzuheben. (ABBILDUNG 2).
- Die Pumpe mit den passenden Verankerungsbolzen am Boden befestigen. (ABBILDUNG 3).



3.2 HYDRAULIKANSCHLÜSSE



- Die Richtung der hydraulischen Anschlüsse einhalten.
- Die Abmessungen der Rohrleitungen entsprechend der Schwimmbeckengröße unter Einhaltung der im Land der Installation geltenden hydraulischen Normen wählen.
- Für die hydraulischen Anschlüsse die vorgesehenen Standardanschlüsse verwenden.
- Installieren Sie ein Rückschlagventil, wenn der Filter oberhalb des Wasserspiegels installiert ist.
- Installieren Sie Absperrventile (saug- und druckseitig), falls die Pumpe unterhalb des Wasserspiegels installiert wird.
- Zum Vermeiden von Schwierigkeiten beim Ansaugen installieren Sie die Ansaugleitung ohne erhöhte Punkte, in denen sich Luft ansammeln könnte.
- Überprüfen, ob die hydraulischen Anschlüsse fest angezogen sind und dass es keine Lecks gibt.
- Zur Vermeidung der Gefahr eines Rohrbruchs durch das Wassergewicht müssen die Rohrleitungen abgestützt sein



HYDRAULIKANSCHLÜSSE

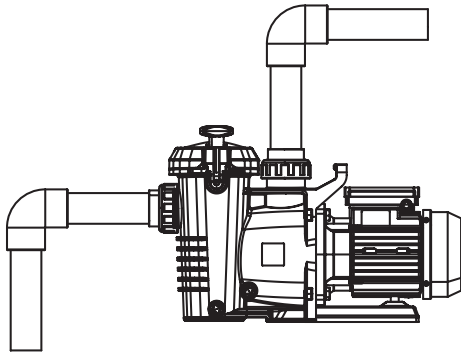
A Pumpe

B Filter

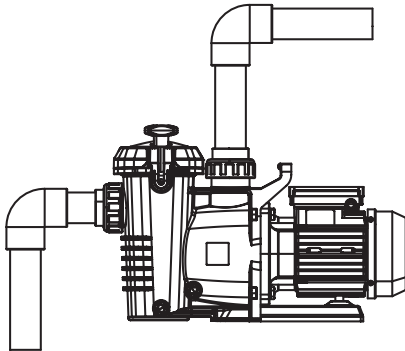
C Heizsystem

D Wasseraufbereitungssystem

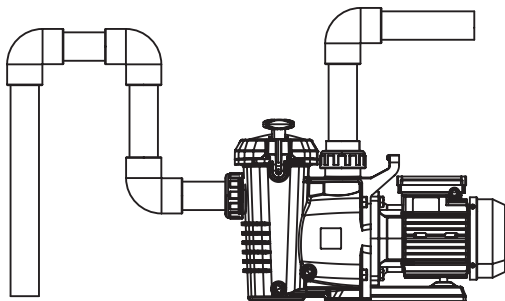
- Verwenden Sie so wenige Rohrbögen wie möglich. Wenn mehr als 10 Rohrbögen für den Hydraulikkreislauf erforderlich sind, erhöhen Sie den Rohrdurchmesser.



Länge Ansaugleitung = $4 \times \varnothing$



Ansaugleitung sehr kurz. Kavitationsgefahr



Luftansammlung. Gefahr der fehlerhaften Vorfilterbefüllung

3.3 STROMANSCHLÜSSE

- Überprüfen Sie zur Vermeidung einer Überhitzung der Klemmleiste (und die dadurch drohende Brandgefahr), ob die Klemmen richtig festgezogen sind. Lose Klemmen führen zum Erlöschen der Garantie.



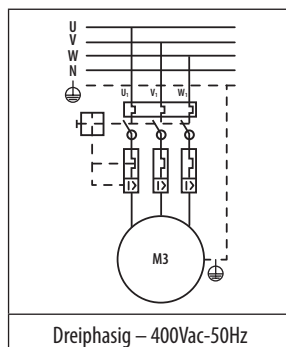
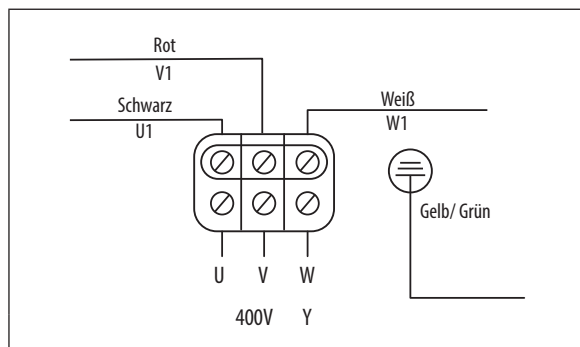
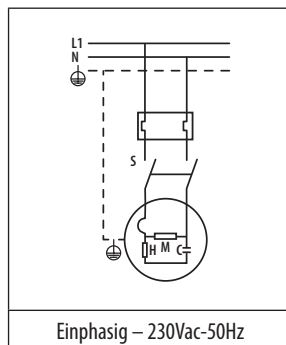
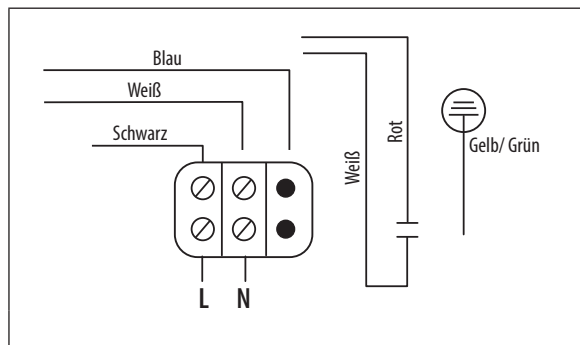
- Jegliche unsachgemäße elektrische Anschlüsse führen zum Erlöschen der Garantie.
- Das Netzkabel muss isoliert und gegen Abrieb und Beschädigungen geschützt sein.
- Verwenden Sie eine Kabelverschraubung, um das Netzkabel zum Gerät zu führen.

3.3.1 ELEKTRISCHE ANSCHLÜSSE



Vor Beginn elektrischer Arbeiten Stromversorgung trennen und Pumpe erden.

1. Schrauben Sie die 4 Schrauben ab, um den Anschlusskasten zu öffnen.
2. Trennen und entfernen Sie die werkseitigen Prüfkabel vom Klemmenblock.
3. Führen Sie das Stromkabel durch die Stopfbuchse und schließen Sie die Kabel an.
4. Achten Sie beim Schließen des elektrischen Anschlusskastens auf den richtigen Sitz der Dichtung und ziehen Sie die 4 Schrauben an.



4. VERWENDUNG

4.1 FUNKTIONSPRINZIP

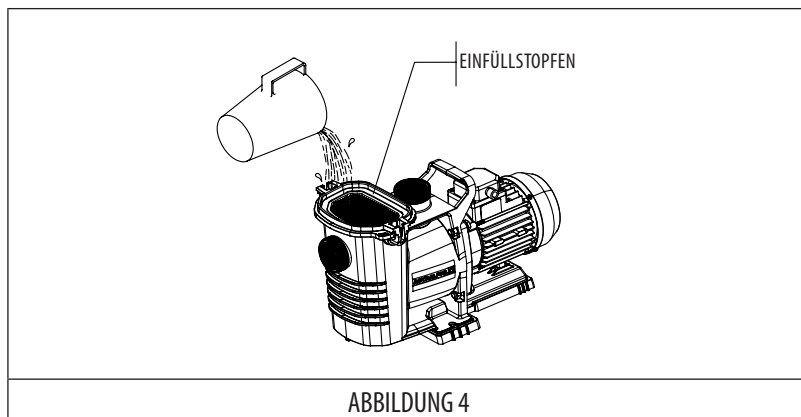
Die Filterpumpe stellt das Kernstück des Schwimmbads dar und ist essenziell, da sie das Wasser durch die verschiedenen Komponenten, insbesondere den Filter, zirkulieren lässt.

Ihr Motor dreht das Laufrad, das das Wasser vorantreibt. Der Vorfilterkorb fängt die groben Verschmutzungen auf und verhindert eine Verstopfung oder Beschädigung des Filters.

4.2 BETRIEB



- Zur Vermeidung der Gefahr einer Explosion, die Sachschäden und schwere bzw. tödliche Verletzungen verursachen könnte, stellen Sie sicher, dass der Hydraulikkreislauf frei von Verstopfungen ist und weder blockiert noch einem übermäßigen Druck ausgesetzt ist.
- Der Deckel des Vorfilterkorbs muss von Hand geschlossen werden (verwenden Sie keine Werkzeuge).
- Überprüfen Sie, ob die hydraulischen Anschlüsse richtig festgezogen sind.
- Überprüfen Sie, ob die Pumpe stabil und eben steht.
- Der Hydraulikkreislauf muss entlüftet sein und darf keine Fremdkörper enthalten.
- Der Deckel des Vorfilterkorbs muss ordnungsgemäß (von Hand) geschlossen und seine Dichtung sauber und korrekt eingesetzt sein.
- Überprüfen Sie, ob die Ventile geöffnet sind.
- Die Pumpe ist selbstansaugend, zur Vereinfachung des Vorgangs ist es zwingend notwendig, den Vorfilter vor der ersten Inbetriebnahme mit Wasser zu befüllen. (ABBILDUNG 4).



- Die Pumpe hat eine Saugleistung von bis zu 1,5 Metern über dem Wasserspiegel des Schwimmbekens und auf Meereshöhe (wenn der Hydraulikkreis absolut dicht ist).

- Entlüften Sie den Filterkreislauf über das Entlüftungsventil, das sich normalerweise am Filter befindet (sehen Sie in der Betriebsanleitung des Schwimmbadfilters nach).
- Überprüfen Sie den Hydraulikkreis auf Lecks.
- Überprüfen Sie, ob sich der Motor in die richtige Richtung dreht (schauen Sie auf den Ventilator hinten am Motor). (ABBILDUNG 5).

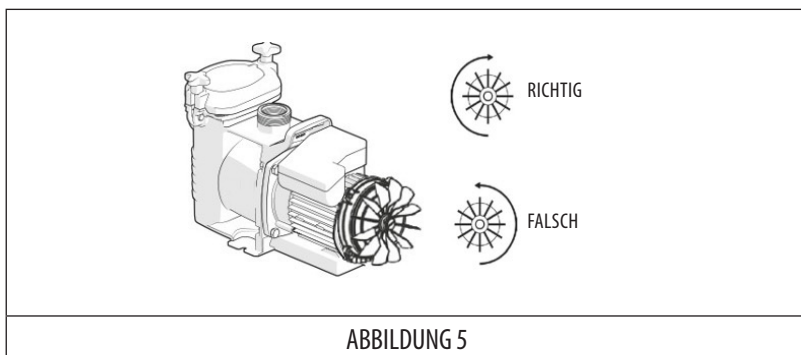


ABBILDUNG 5

- Lassen Sie die Pumpe laufen und überzeugen Sie sich durch den Deckel des Vorfilters, dass die Pumpe innerhalb eines Zeitraums von höchstens 12 min vollständig gefüllt ist.

5. WARTUNG

Alle 100 Betriebsstunden müssen je nach Sauberkeitsgrad des Wassers folgende Punkte geprüft werden:



- Den Korb des Vorfilters regelmäßig reinigen, um Druckabfälle zu vermeiden. Korb beim Reinigen nicht ausklopfen, da er brechen könnte.
- Wenn die Pumpe stehen bleibt, prüfen, ob die Stromaufnahme des Motors in Ampere dem Typenschild des Herstellers entspricht. Andernfalls den nächsten Kundendienst verständigen.



- Die Pumpe leeren, wenn sie längere Zeit nicht in Betrieb genommen wird (insbesondere in kalten Ländern mit Frostgefahr).
- Zum Entleeren der Pumpe die Ablassschraube öffnen.
- Bei jedem Öffnen des Vorfilters Verunreinigungen am Dichtungssitz und der Dichtung entfernen, um die Dichtigkeit des Deckelverschlusses zu gewährleisten (ABBILDUNG 6).
- Die Bauteile der Pumpe mit normalem Verschleiß bzw. Abnutzung müssen regelmäßig ersetzt werden, damit die Leistungsfähigkeit der Pumpe nicht beeinträchtigt wird. In der folgenden Tabelle sind die fungiblen und / oder Verbrauchsteile der Pumpe und der Zeitraum aufgeführt, in dem sie ausgetauscht werden müssen.

BAUTEILBESCHREIBUNG	ERSETZEN NACH
Kondensator	10.000 Std
Lager	10.000 Std
Mechanischer Verschluss	10.000 Std
Fugen und andere Dichtungselemente ⁽¹⁾	10.000 Std

⁽¹⁾ Das Öffnen und Schließen der Pumpe für den Austausch von inerten Ersatzteilen garantiert keine anschließende Dichtigkeit. Aus diesem Grund wird empfohlen, die O-Ringe und Dichtungselemente zu ersetzen, wenn die Gleitringdichtung und / oder Lager ausgetauscht werden.

Die geschätzte Lebensdauer obiger Bauteile entspricht normalen Nutzungs- und Installationsbedingungen des Produkts.

Zur Verlängerung der Lebensdauer der Pumpe die Anweisungen des Installationshandbuchs befolgen.

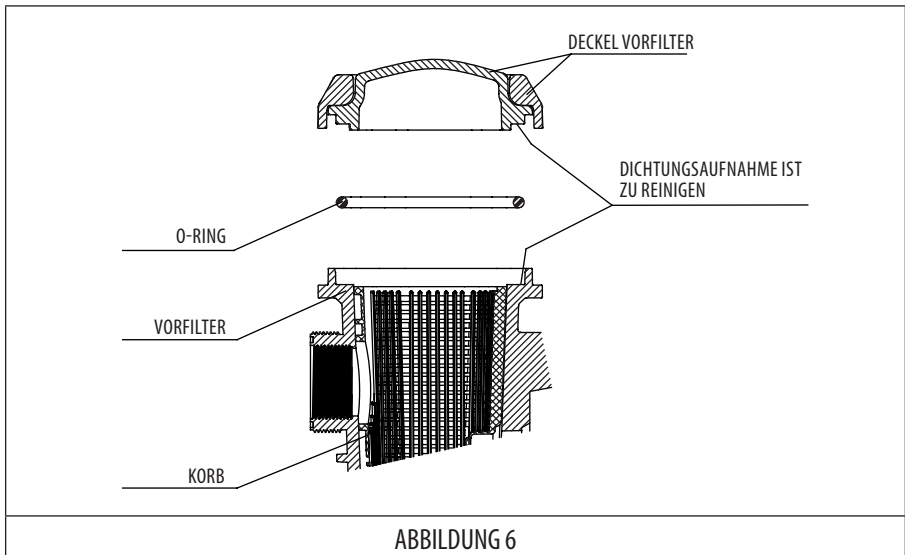


ABBILDUNG 6

6. PROBLEMLÖSUNG



- Sollte ein Problem auftreten, führen Sie anhand der folgenden Tabellen diese einfachen Überprüfungen durch, bevor Sie sich an Ihren Händler wenden.
- Wenn das Problem weiterhin besteht, wenden Sie sich an Ihren Händler.
- Maßnahmen, die nur von einem qualifizierten Techniker ausgeführt werden dürfen.

6.1 BETRIEBSVERHALTEN DES GERÄTS

URSACHE	LÖSUNG
Die Pumpe springt nicht an / Der Motor dreht nicht.	<ul style="list-style-type: none"> • Stromausfall. Prüfen Sie die Leistungsschutzschalter. • Überprüfen Sie den Anschluss zwischen Netzkabel und Anschlussklemmen des Motors. • Stellen Sie sicher, dass sich die Motorwelle frei dreht. Prüfen Sie, dass sich keine Rückstände im Korb des Vorfilters befinden. • Wenn Rückstände verblieben sind, ziehen Sie für den Zugang zum Laufrad die Pumpe zurück.
Die Pumpe saugt nicht an / Im Korb des Vorfilters ist evtl. Luft	<ul style="list-style-type: none"> • Prüfen Sie die Position der Ventile im Hydraulikkreislauf. • Ist im Kreislauf Luft eingeschlossen, Hydraulikkreislauf entlüften (Entlüftungsventil am Filter). • Ist der Wasserstand im Schwimmbecken zu niedrig, wird im Kreislauf Luft angesaugt; befüllen Sie das Schwimmbecken. • Die Deckeldichtung des Vorfilterkorbs ist defekt, überprüfen Sie den Zustand der Dichtung und die Dichtheit des Deckels.
Geringer Durchfluss / niedriger Filterdruck.	<ul style="list-style-type: none"> • Der Korb des Vorfilters ist mit Rückständen verschmutzt, reinigen Sie ihn. • Lufteintritt in den Kreislauf. Prüfen Sie alle Anziehdrehmomente. • Laufrad und Verteiler der Pumpe sind blockiert oder abgenutzt, ersetzen Sie sie. • Die Verteilerdichtung ist abgenutzt, ersetzen Sie sie. • Falsche Drehrichtung des Motors (nur bei dreiphasigen Modellen), prüfen Sie den elektrischen Anschluss der Pumpenklemmen.
Geringer Durchfluss / Hoher Filterdruck.	<ul style="list-style-type: none"> • Der Filter ist verstopft. Filter rückspülen (oder gegebenenfalls die Kartusche reinigen). • Prüfen Sie die Position der Ventile im Hydraulikkreislauf.
Die Pumpe ist sehr laut.	<ul style="list-style-type: none"> • Lufteintritt oder Kavitation in der Ansaugleitung. Prüfen Sie die Position der Ventile und stellen Sie, falls notwendig, ein. • Pumpe schlecht am Boden angebracht. Prüfen Sie, ob sie eben auf einem harten und horizontalen Boden aufliegt. Falls notwendig, Vibrationsdämpfer benutzen. • Fremdkörper im Vorfilterkorb. • Fremdkörper im Pumpenkörper (in diesem Fall muss die Pumpe abgeschraubt und zum technischen Kundendienst gebracht werden).
Leck zwischen Pumpenkörper und Motor	<ul style="list-style-type: none"> • Die Gleitringdichtung ist beschädigt, ersetzen Sie sie.

BELANGRIJKE INFORMATIE OVER DE INSTALLATIE EN HET ONDERHOUD

Deze handleiding bevat basisinformatie over de veiligheidsmaatregelen die moeten worden getroffen tijdens de installatie, het onderhoud en de inbedrijfstelling. De installateur en de gebruiker moeten de instructies dan ook lezen voor ze het apparaat installeren en in bedrijf stellen.

De handleiding is beschikbaar in pdf-formaat op de website: www.astralpool.com



- De apparaten die in deze handleiding worden beschreven, zijn speciaal ontworpen voor het voorfilteren en recirculeren van water in zwembaden.
- Ze zijn bedoeld voor schoon water met een maximale temperatuur van 35°C.




- Alle montage-, elektrische installatie- en onderhoudswerkzaamheden moeten worden uitgevoerd door gekwalificeerde, geautoriseerde personen, die de installatie- en onderhoudsinstructies zorgvuldig hebben gelezen.
- Dit apparaat mag niet worden gebruikt door personen (of kinderen) met beperkte lichamelijke, zintuiglijke of geestelijke capaciteiten of met gebrek aan ervaring en kennis, tenzij zij onder toezicht staan van een persoon die verantwoordelijk is voor hun veiligheid of nadat zij de nodige opleiding hebben genoten over het gebruik van het apparaat. Kinderen moeten steeds onder toezicht staan, zodat ze niet met het apparaat gaan spelen.

- Het apparaat mag worden gebruikt door kinderen vanaf 8 jaar en door personen met verminderde lichamelijke, zintuiglijke of geestelijke vermogens of met gebrek aan ervaring en kennis, als zij onder toezicht staan of instructies hebben gekregen over het veilige gebruik van het apparaat en begrijpen welke gevaren eraan verbonden zijn. Kinderen mogen niet met het apparaat spelen. De reiniging en het onderhoud waarvoor de gebruiker zelf instaat, mogen niet worden uitgevoerd door kinderen zonder toezicht.



- Onze pompen mogen alleen worden gemonteerd en geïnstalleerd in zwembaden die voldoen aan de normen IEC / HD 60364-7-702 en de toepasselijke nationale regelgeving. Raadpleeg uw handelaar als u nog vragen hebt.
- De installatie moet voldoen aan de norm IEC/HD 60364-7-702 en de toepasselijke nationale regelgeving voor zwembaden.
- De pomp mag niet worden geïnstalleerd in zone 0 en zone 1. Zie pagina 78 voor de tekeningen.
- De pomp moet voor gebruik worden bevestigd aan een steun of een specifieke voorziening.

- Op pagina 76 vindt u de maximale totale opvoerhoogte uitgedrukt in meter (H.max).
- Op plaatsen waar overstroming mogelijk is, moet een pompput worden voorzien met een gepaste vloeistofuitlaat.
- Als een zelfaanzuigende pomp boven de waterspiegel moet worden geplaatst, mag het drukverschil naar de aanzuigleiding van de pomp niet hoger zijn dan 0,015 Mpa (1,5 mHzO). Houd de aanzuigleiding zo kort mogelijk, aangezien de aanzuigtijd en de lastverliezen van de installatie toenemen naarmate de leiding langer is.
- Het apparaat moet worden aangesloten op een wisselstroomvoeding met aardverbinding (zie de gegevens op het typeplaatje van de pomp), beschermd door een zekeringautomaat met een nominale reststroom van maximaal 30 mA.
- 
 - Het niet naleven van de waarschuwingen kan uw zwembadapparatuur ernstig beschadigen of ernstig letsel veroorzaken, inclusief overlijden.
- Respecteer de geldende voorschriften met betrekking tot het voorkomen van ongelukken.
- Voordat u de machine hanteert, moet u er zeker van zijn dat de voeding is uitgeschakeld en is ontkoppeld van de voedingsbron.
- Indien het apparaat defect is, moet u het niet zelf proberen te repareren. Neem hiervoor contact op met een gekwalificeerd technicus.
- Wijzigingen aan de pomp zijn alleen toegestaan na overleg met de fabrikant. Originele en door de fabrikant toegestane reserveonderdelen en toebehoren waarborgen een betere veiligheid. De fabrikant van de pomp kan niet verantwoordelijk worden gehouden voor schade die veroorzaakt is door niet-toegestane reserveonderdelen of toebehoren.
- Raak de ventilator en de bewegende onderdelen niet aan en houd geen staaf of uw vingers vlak bij de bewegende onderdelen tijdens de werking van het apparaat. Bewegende onderdelen kunnen ernstig letsel veroorzaken, inclusief overlijden.
- Laat de pomp nooit droog of zonder water werken (hierdoor komt de garantie te vervallen).
- Voer geen onderhouds- of reparatiewerkzaamheden uit aan het apparaat met natte handen of wanneer het apparaat nat is.
- Het apparaat niet onderdompelen in water of modder.

1. ALGEMENE VEILIGHEIDSLINSTRUCTIES

Deze symbolen (  ) wijzen op mogelijk gevaar als de overeenkomstige instructies niet worden nageleefd.



GEVAAR. Risico op elektrocutie.

Als deze instructies niet worden nageleefd, kan er risico op elektrocutie ontstaan.



GEVAAR.

Als deze instructies niet worden nageleefd, kan er risico op persoonlijk letsel of materiële schade ontstaan.

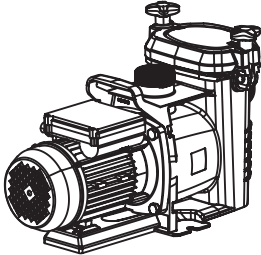
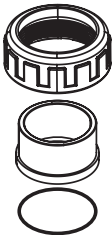
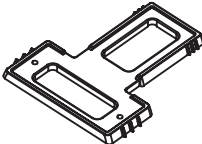



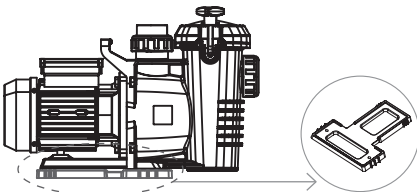
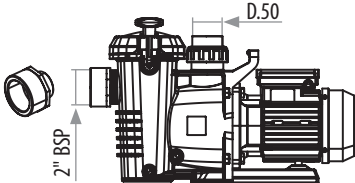
WAARSCHUWING.

Als deze instructies niet worden nageleefd, kan er risico op schade aan de pomp of de installatie ontstaan.

2. ALGEMEEN OVERZICHT VAN HET SYSTEEM

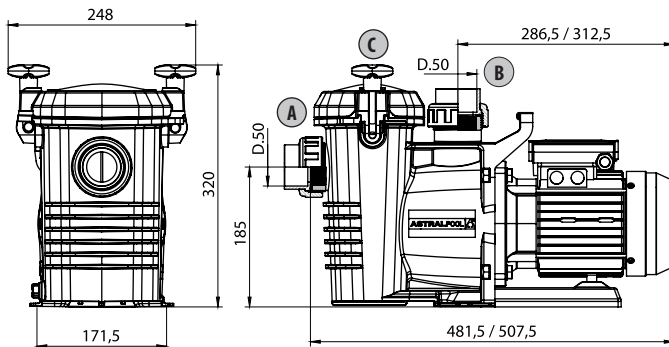
Controleer voordat u begint of u over alle onderdelen beschikt van Tabel 1.

TABEL 1 - INHOUD			
			
Senext-pomp	Standaardansluitingen voor leiding D.50 (x2)	Pompbasis (x1)	Verloopstuk 2" - 1 1/2" (x1)

TABEL 2 - RETROFITOPTIES											
											
1	<table border="1"> <tr> <td>Accessoire:</td> <td>Basis</td> </tr> <tr> <td>Retrofit:</td> <td>Hayward MaxFlo / SuperPool</td> </tr> </table>	Accessoire:	Basis	Retrofit:	Hayward MaxFlo / SuperPool	2	<table border="1"> <tr> <td>Accessoire:</td> <td>Verloopstuk 2" - 1 1/2"</td> </tr> <tr> <td>Retrofit:</td> <td>Speck BADU Magna / Top</td> </tr> </table>	Accessoire:	Verloopstuk 2" - 1 1/2"	Retrofit:	Speck BADU Magna / Top
Accessoire:	Basis										
Retrofit:	Hayward MaxFlo / SuperPool										
Accessoire:	Verloopstuk 2" - 1 1/2"										
Retrofit:	Speck BADU Magna / Top										

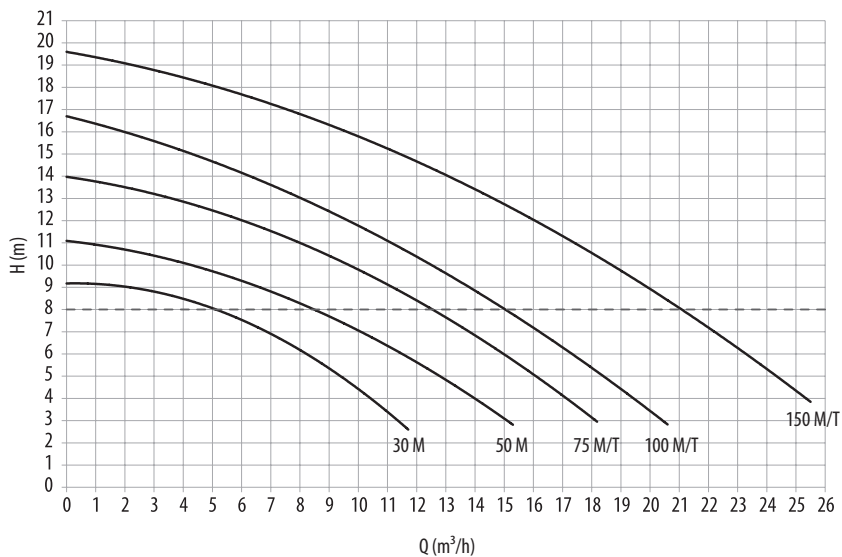
SPECIFICATIES									
		30M	50M	75M	75T	100M	100T	150M	150T
Bedrijfstemperatuur water		5 tot 35°C							
Bedrijfstemperatuur omgeving		2 tot 50°C							
Motorspanning – nominaal (*)		230Vca-50Hz		400Vca- -50Hz	230Vca- -50Hz	400Vca- -50Hz	230Vca- -50Hz	400Vca- -50Hz	
Motorvermogen - fasen		1P		3P	1P	3P	1P	3P	
Acceptabele motor - spanningsvariatie		± 10% (tijdens de werking)							
Motorvermogen - nominaal	CV	0.50		0.75		1.00		1.50	
Nominale motoruitgang (P2)	W	375		550		750		1100	
Maximale motoringang (P1)	W	605		770	750	1020	970	1400	
Stroomsterkte motor	A	2.7		3.6	1.6	5	1.9	6.5	2.5
Beschermingsklasse motor		IPX5							
Maximaal doorstromsnelheid op 3 m hoogte	m ³ /u	11.5	15.0	18.0		20.5		26	
Doorstromsnelheid op 8 m hoogte	m	5,0	8,5	12,5	12,5	15		21	
Maximale pomphoogte (H max)	mH ₂ O	9	11	14		17		19.5	
	bar	0.9	1.1	1.4		1.7		1.9	
Pompaansluitingen		Diameter van de aanzuig- en afvoerleiding: 50 mm Schroefdraadverbinding voor aanzuiging en afvoer: Buitenkant G2 ¼" / Binnenkant G1 ½"							
Maximale zoutgehalte van het water		6.0 g/l (6.000 ppm)							

AFMETINGEN EN MARKERING



A	B	C
Wateringang	Wateruitgang	Voorfilterdeksel

POMPPRESTATIECURVES



3. INSTALLATIE

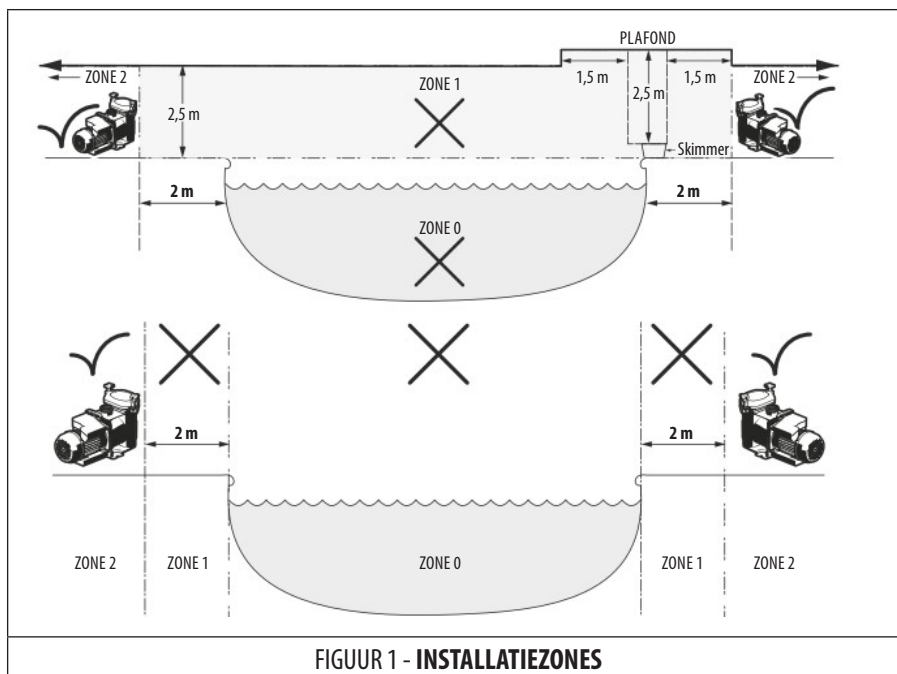
3.1 SELECTEREN VAN DE LOCATIE

De pomp moet worden geïnstalleerd:

- Vóór het filter, een verwarmingssysteem en/of een waterbehandelingsysteem.
- Op een minimale afstand van 2 meter van de rand van het zwembad om te voorkomen dat er water tegen het apparaat spat. Het is mogelijk dat er andere afstanden gelden. Raadpleeg de geldende voorschriften in het land van installatie.
- Idealiter 30 cm onder het waterniveau.
- Buiten een ruimte die kan overstromen of op een basis met afvoermogelijkheid.
- In een geventileerde ruimte zodat de pomp kan afkoelen.

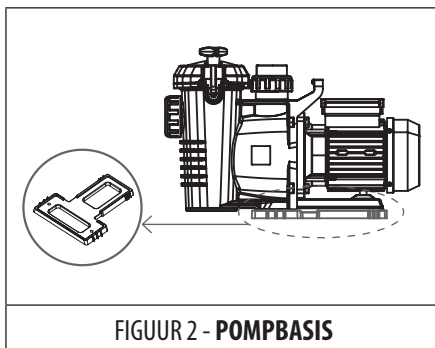
De pomp moet niet worden geïnstalleerd:

- In een ruimte waar regen en spetters vallen.
- Dicht bij een warmtebron of een bron van ontvlambaar gas.
- In een ruimte die niet kan worden schoongemaakt of waarin bladeren, droog gebladerte of andere ontvlambare elementen terecht kunnen komen.
- In Zone 0 en Zone 2 (FIGUUR 1).

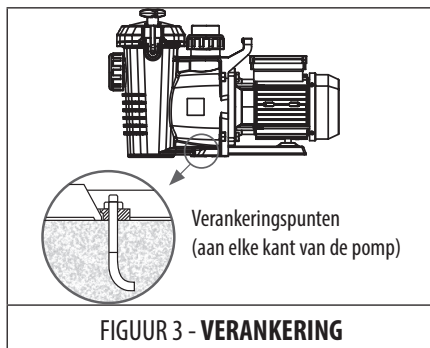


FIGUUR 1 - INSTALLATIEZONES

- Een gemakkelijke toegang voor werkzaamheden aan het apparaat is vereist.
- Plaats de pomp op een stabiel, waterpas en stevig oppervlak (bijv. betonnen vloer).
- Indien nodig, gebruik de basis om de pomp te verhogen tot het bestaande niveau van de leiding (FIGUUR 2).
- Veranker de pomp aan de grond aan de hand van de funderingsbout die hiervoor zeer geschikt is (FIGUUR 3).



FIGUUR 2 - POMP BASIS



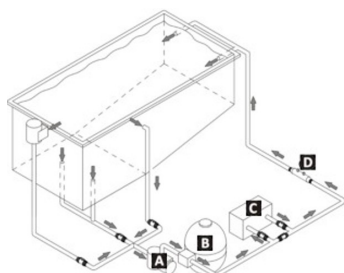
FIGUUR 3 - VERANKERING

3.2 HYDRAULISCHE AANSLUITINGEN



• Respecteer de richting van de hydraulische aansluitingen.

- Kies de afmeting van de leidingen naargelang de afmeting van het zwembad en respecteer hierbij de hydraulische normen die gelden in het land van installatie.
- Gebruik voor de hydraulische aansluitingen de voorziene standaardaansluitingen.
- Installeer een terugslagklep indien het filter boven het waterniveau is geïnstalleerd.
- Installeer de afsluitkleppen (aanzuiging en afvoer) indien de pomp onder het waterniveau is geïnstalleerd.
- Om problemen met het aanzuigen te voorkomen, moet de aanzuigleiding worden geïnstalleerd zonder hoge punten waarin lucht zich kan ophopen.
- Controleer of de hydraulische aansluitingen goed zijn vastgedraaid en er geen lekkages zijn.
- De leidingen moeten ondersteund worden om te voorkomen dat ze breken door het gewicht van het water.



HYDRAULISCHE AANSLUITINGEN

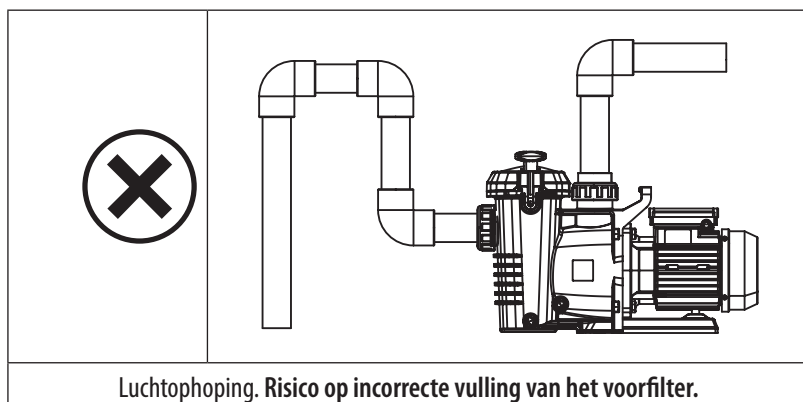
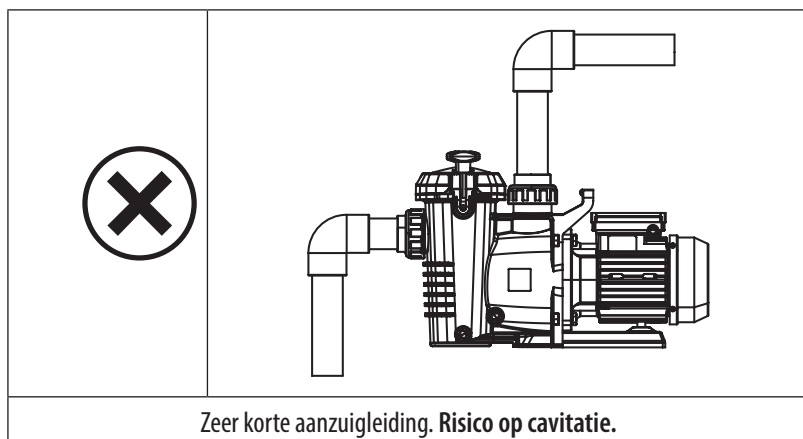
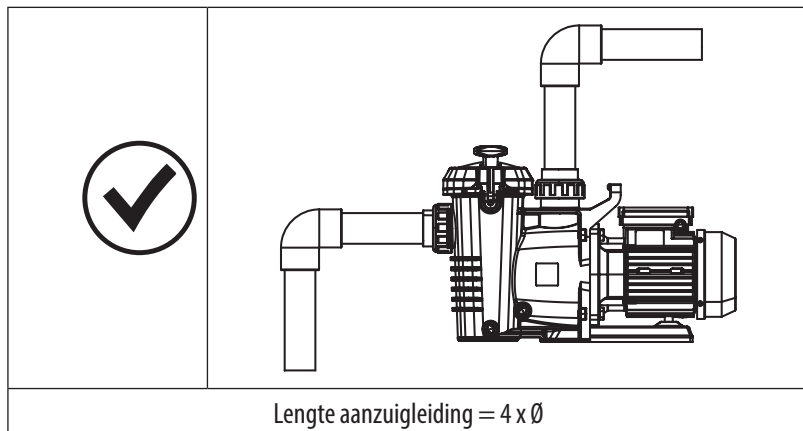
A Pomp

B Filter

C Verwarmingssysteem

D Waterzuiveringssysteem

- Gebruik zo min mogelijk ellebogen. Verhoog de buisdiameter als er meer dan 10 ellebogen worden gebruikt.



3.3 HYDRAULISCHE AANSLUITINGEN

- Controleer, om oververhitting van het klemmenbord te voorkomen (risico op brand), of alle klemmen goed vast zijn. Bij losse klemmen komt de garantie te vervallen.



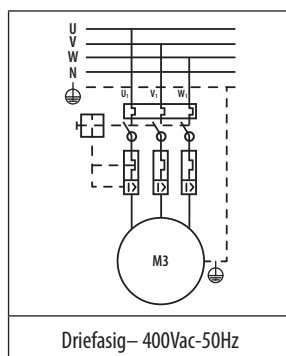
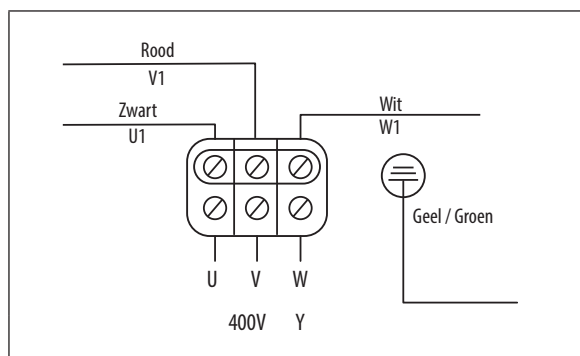
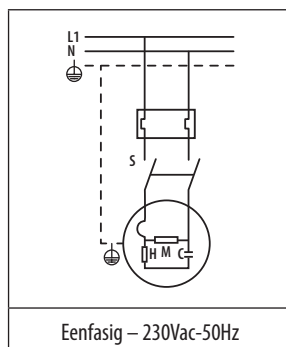
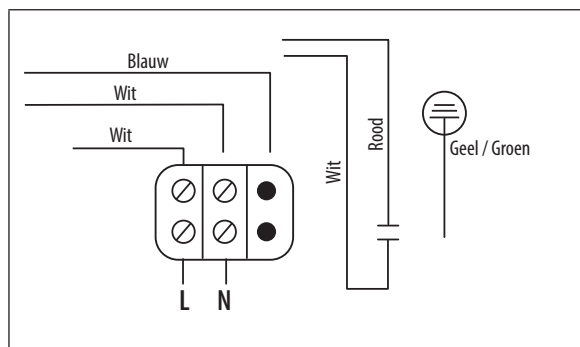
- Bij elke andere onjuiste elektrische aansluiting komt de garantie te vervallen.
- De voedingskabel moet geïsoleerd zijn en beschermd zijn tegen slijtage en beschadiging.
- Gebruik de pakkingbus om de voedingskabel naar het apparaat te brengen.

3.3.1 ELEKTRISCHE AANSLUITINGEN



Schakel de elektriciteit uit en aard de pomp voordat u met de elektriciteitswerkzaamheden begint.

1. Draai de 4 schroeven los om het klemmenkastje open te maken.
2. Ontkoppel en verwijder de fabriekstestdraden van het terminalblok.
3. Haal het voedingsnoer door de wartel en sluit de draden aan.
4. Sluit het klemmenkastje met de pakking op de goede plek en draai vast met de 4 schroeven.



4. GEBRUIK

4.1 WERKINGSPRINCIPE

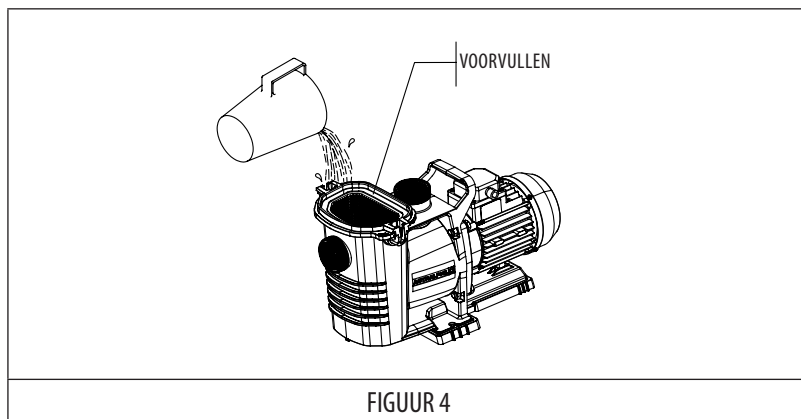
De filtratiepomp vormt de kern van het zwembad en is essentieel, omdat deze wordt gebruikt om het water te laten stromen door middel van de verschillende onderdelen, in het bijzonder het filter.

De motor zorgt ervoor dat de turbine ronddraait die vervolgens het water voortstuwt. Het voorfiltermandje vangt de belangrijkste vuildeeltjes op om te voorkomen dat het filter verstopt of beschadigd raakt.

4.2 WERKING



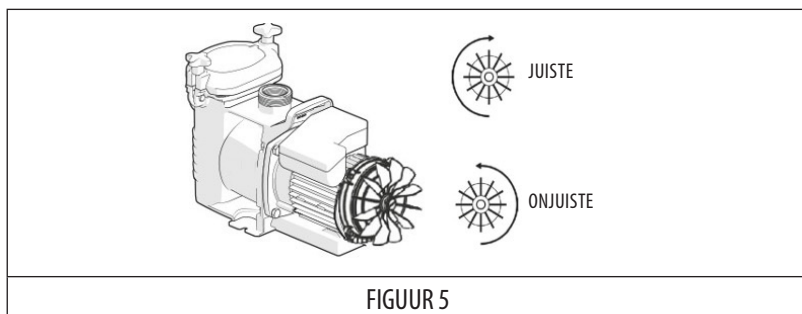
- Om een risico op ontploffing te voorkomen die materiële schade, ernstig letsel of zelfs overlijden kan veroorzaken, moet u er zeker van zijn dat het hydraulisch circuit vrij is van verstoppingen, niet geblokkeerd is en niet onderworpen is aan een buitensporige druk.
- De deksel van het voorfiltermandje moet handmatig worden dichtgedaan (gebruik nooit gereedschap).
- Controleer of de hydraulische aansluitingen goed vast zijn gedraaid.
- Controleer of de pomp stabiel en waterpas is.
- Het hydraulisch circuit moet ontluicht zijn en mag geen vreemde voorwerpen bevatten.
- De deksel van het voorfiltermandje van de pomp moet goed gesloten zijn (handmatig) en een schone afdichtring hebben die goed op zijn plek zit.
- Controleer of de kleppen open zijn.
- De pomp is zelfaanzuigend. Het is verplicht om het voorfilter te vullen met water voordat u de pomp voor het eerst aanzet om de procedure te vergemakkelijken (FIGUUR 4).



FIGUUR 4

- De pomp heeft een aanzuigcapaciteit tot 1,5 meter boven het waterniveau van het zwembad en op zeeniveau (als het hydraulisch circuit perfect is afgedicht).

- Ontlucht het filtratiecircuit met behulp van de ontluchter die zich normaliter in het filter bevindt (raadpleeg de handleiding van het zwembadfilter).
- Controleer of er geen lekkages zijn in het hydraulisch circuit.
- Controleer of de motor in de goede richting draait (door te kijken naar de ventilator aan de achterkant van de motor). (FIGUUR 5).



FIGUUR 5

- Zet de pomp aan en controleer via de deksel van het voorfilter of de pomp binnen max. 12 minuten volledig is aangezogen.

5. ONDERHOUD

Doe het volgende ongeveer om de 100 bedrijfsuren, afhankelijk van de zuiverheid van het water:



- Maak de mand van het voorfilter regelmatig schoon om drukdalingen te voorkomen. Let op dat u tijdens het schoonmaken nergens tegenaan stoot met de mand, om te voorkomen dat deze breekt.

- Als de pomp stilvalt, moet u controleren of het ampèreverbruik van de motor gelijk is aan of lager dan het verbruik dat is aangegeven op het typeplaatje van de fabrikant. Neem contact op met de dichtstbijzijnde technische hulpdienst als u deze informatie niet terugvindt.



- Maak de pomp leeg als deze langere tijd niet in gebruik zal zijn, vooral in koude landen met kans op vorst.

- Verwijder de aftapdop om de pomp leeg te maken.

- Telkens wanneer u het voorfilter opent, moet u de afdichting en de behuizing schoonmaken, zodat het deksel weer waterdicht kan worden afgesloten (FIGUUR 6).

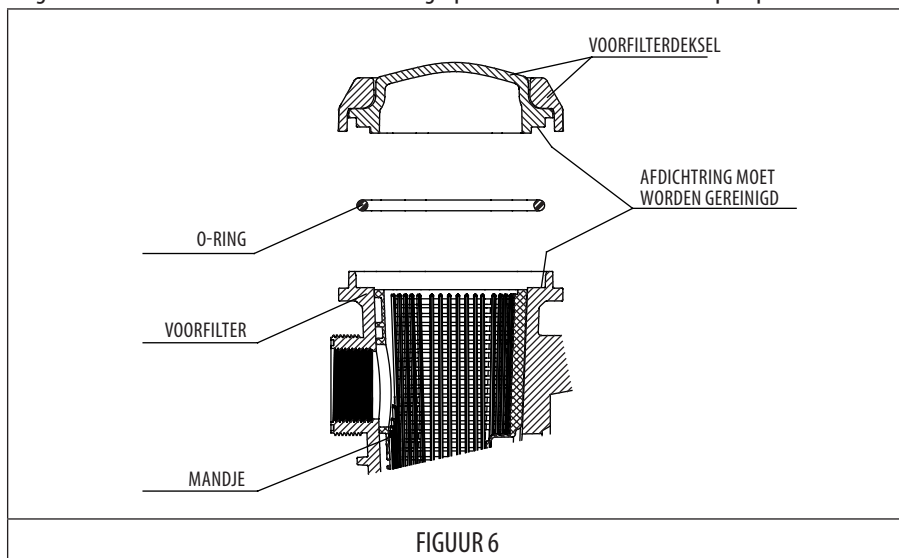
- De pomponderdelen die bij normaal gebruik verslijten, moeten regelmatig worden vervangen om de pomp prestaties op peil te houden. Onderstaande tabel geeft een overzicht van alle vervangbare pomponderdelen en de frequentie waarmee ze moeten worden vervangen.

BESCHRIJVING VAN HET ONDERDEEL	TIJD TUSSEN VERVANGINGEN
Condensator	10.000 uren
Lagers	10.000 uren
Mechanische afdichting	10.000 uren
O-ringen en andere afdichtingsonderdelen (1)	10.000 uren

⁽¹⁾ Wanneer de pomp wordt geopend om interne onderdelen te vervangen, is de waterdichtheid achteraf niet meer gegarandeerd. Daarom is het aanbevolen de O-ringen en afdichtingsonderdelen te vervangen telkens wanneer de mechanische afdichting en/of lagers worden vervangen.

De geschatte levensduur van de bovengenoemde onderdelen is gebaseerd op een normaal gebruik en normale installatieomstandigheden.

Volg de instructies in de installatiehandleiding op om de levensduur van de pomp te handhaven.



6. OPLOSSING VAN PROBLEMEN



- Als zich een probleem voordoet, voert u dan eerst de volgende controles uit aan de hand van de volgende tabellen alvorens u contact opneemt met uw leverancier.
- Neem pas contact op met uw leverancier indien het probleem aanhoudt.
- Acties die uitsluitend mogen worden uitgevoerd door een gekwalificeerd technicus.

6.1 GEDRAG VAN HET APPARAAT

OORZAAK	OPLOSSING
De pomp start niet / De motor draait niet.	<ul style="list-style-type: none"> • Kortsluiting. Controleer de installatieautomaat. • Controleer de verbinding tussen de voedingskabel en de klemmen van de motor. • Controleer of de motoras vrij kan draaien. Controleer of er geen vuildeeltjes zitten in het voorfiltermandje. • Als er vuildeeltjes aanwezig zijn, verwijder dan de pomp voor toegang tot de turbine.
De pomp zuigt niet aan / Er kan lucht zitten in het voorfiltermandje.	<ul style="list-style-type: none"> • Controleer de stand van de kleppen van het hydraulisch circuit. • Er zit lucht vast in het circuit. Tap het hydraulisch circuit af (aftapschroef in het filter). • Het waterniveau van het zwembad is te laag en het circuit zuigt lucht. Vul het zwembad. • De afdichtring van de voorfilterdeksel is defect. Controleer de staat van de afdichtring en of de deksel goed afdicht.
Lage doorstromsnelheid / Lage filterdruk.	<ul style="list-style-type: none"> • Het voorfiltermandje zit vol met vuildeeltjes. Maak het schoon. • Luchtlekkage in het circuit. Controleer alle aanhaalkoppels. • De turbine en de diffuser van de pomp zijn geblokkeerd of versleten. Vervang deze. • De afdichtring van de diffuser is versleten. Vervang deze. • Omgekeerde rotatie van de motor (alleen driefasige modellen). Controleer de elektriciteitsverbinding van de klemmen van de pomp.
Lage doorstromsnelheid / Hoge filterdruk.	<ul style="list-style-type: none"> • Het filter is verstopt. Reinig het filter (of het patroon indien nodig). • Controleer de stand van de kleppen van het hydraulisch circuit.
De pomp maakt veel geluid.	<ul style="list-style-type: none"> • Luchtlekkage of cavitatie in de aanzuigleiding. Controleer de stand van de kleppen en stel af waar nodig. • De pomp is niet goed verankerd in de vloer. Controleer of deze wordt ondersteund in een platte positie op een harde en horizontale vloer. Gebruik trillingsdempers wanneer nodig. • Er bevindt zich een vreemd voorwerp in het voorfiltermandje. • Er bevindt zich een vreemd voorwerp in het pomphuis (in dit geval moet de pomp worden meegenomen naar een technische dienst).
Lekkage tussen het pomphuis en de motor.	<ul style="list-style-type: none"> • De mechanische afdichtring is beschadigd. Vervang deze.

INFORMAÇÃO IMPORTANTE DE SEGURANÇA, INSTALAÇÃO E MANUTENÇÃO

O manual fornecido contém informação fundamental sobre as medidas de segurança a adotar durante as fases de instalação, manutenção e colocação em funcionamento. Por isso, é imprescindível que tanto o instalador como o utilizador leiam as instruções antes de realizar as operações de montagem e colocação em funcionamento.

O manual pode ser descarregado em PDF no seguinte site: www.astralpool.com



- As máquinas apresentadas neste Manual foram especialmente concebidas para obter a pré-filtragem e a recirculação da água nas piscinas.

- Foram concebidas para trabalhar com águas limpas e com temperaturas não superiores a 35 °C.



- O utilizador deve certificar-se de que os trabalhos de montagem, instalação eléctrica e manutenção são realizados por pessoas autorizadas e qualificadas, e que estas pessoas conhecem pormenorizadamente as instruções de instalação e serviço.

- Este aparelho não se destina a ser utilizado por pessoas (incluindo crianças) com capacidades físicas, sensoriais e mentais reduzidas, ou com falta de experiência e conhecimento, a menos que recebam supervisão ou instruções sobre a utilização do aparelho por alguém responsável pela sua segurança. As crianças devem ser supervisionadas de modo a garantir que não brincam com o aparelho

- Este aparelho pode ser utilizado por crianças com idade igual ou superior a 8 anos e por pessoas com capacidades físicas, sensoriais e mentais reduzidas, ou com falta de experiência e conhecimento, caso recebam supervisão ou instruções sobre a utilização do aparelho de forma segura e compreendam os riscos envolvidos. As crianças não deverão brincar com o aparelho. A limpeza e a manutenção não deverão ser levadas a cabo por crianças sem supervisão.



- As nossas bombas só podem ser montadas e instaladas em piscinas que cumpram as normas IEC / HD 60364-7-702 e a regulamentação nacional exigida. Em caso de dúvidas, contacte com o seu fornecedor.

- A instalação deverá respeitar a norma IEC / HD 60364-7-702 e a regulamentação nacional relativa a piscinas.

- A bomba não pode ser instalada na Zona 0 nem na Zona 1. Para ver os desenhos, consultar a página 92.

- A bomba foi concebida para ser utilizada estando fixa a um suporte ou imobilizada num lugar específico.
- Consultar a pressão máxima total (H max) da coluna de água, em metros, na página 90.
- Dado o risco de inundação nesta zona, recomenda-se a instalação de um escoadouro.
- No caso de ter de instalar uma bomba autoaspirante acima do nível da água, o diferencial de pressão para a aspiração da bomba não deve ser superior a 0,015 MPa (1,5 mH₂O), procurando que a conduta de aspiração seja o mais curta possível dado que uma tubagem mais comprida aumenta o tempo de aspiração e as perdas de carga da instalação.
- O aparelho deve ser ligado a uma tomada elétrica (ver dados na placa de características da bomba) com ligação à terra, protegida com um interruptor diferencial (RCD) com uma corrente de funcionamento residual que não exceda os 30 mA.



- O incumprimento das advertências pode provocar danos graves no equipamento da piscina ou causar lesões graves, incluindo a morte.
- Respeite as normas vigentes em matéria de prevenção de acidentes.
- Antes de utilizar a máquina, certifique-se de que a alimentação está desligada e desconectada da fonte de alimentação.
- Se o aparelho sofrer uma avaria, não tente repará-lo; em vez disso, entre em contacto com um técnico qualificado.
- Todas as alterações efetuadas na bomba exigem a autorização prévia do fabricante. As peças sobresselentes e os acessórios originais autorizados pelo fabricante garantem maior segurança. O fabricante da bomba está isento de qualquer responsabilidade relativamente a qualquer dano causado por peças sobresselentes ou acessórios não autorizados.
- Não toque no ventilador nem nas partes móveis e não coloque uma vareta ou os seus dedos perto das partes móveis durante o funcionamento do aparelho. As peças móveis podem provocar lesões graves ou mesmo a morte.
- Nunca ponha a bomba a funcionar a seco ou sem água (tal invalidará a garantia).
- Não realize operações de manutenção ou reparação no aparelho com as mãos molhadas ou se o aparelho estiver molhado.
- Não mergulhe o aparelho em água ou lodo.

1. INDICAÇÕES GERAIS DE SEGURANÇA

Esta simbologia (⚡ ⚠ ⚡) indica a possibilidade de perigo em consequência do desrespeito das indicações correspondentes.



PERIGO. Risco de eletrocussão.

A não advertência para este perigo representa um risco de eletrocussão.



PERIGO.

A não advertência para este perigo representa um risco de danos em pessoas ou bens.



ATENÇÃO.

A não advertência para este perigo representa um risco de danos na bomba ou na instalação.

2. VISÃO GERAL DO SISTEMA

Antes de começar, verifique que tem todas as partes indicadas na Tabela 1.

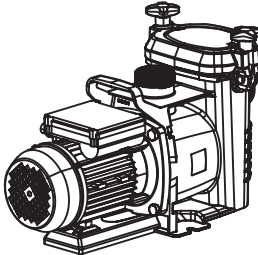
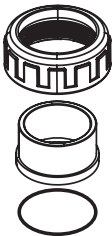
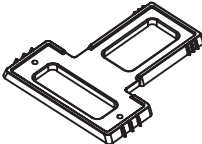

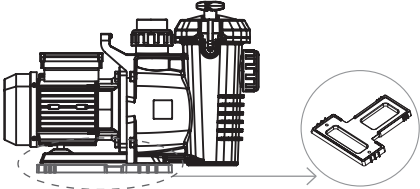
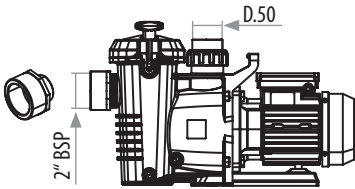
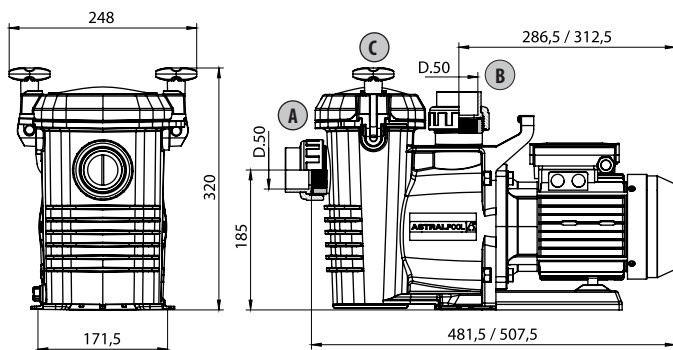
TABELA 1 - CONTEÚDO			
			
Bomba Senext	Ligações padrão para tubagem D.50 (x2).	Base da bomba (x1).	Racord de redução 2" - 1 1/2" (x1)

TABELA 2 - OPÇÕES DE RETROFIT			
			
1	Accessório:	Base	
	Retrofit:	Hayward MaxFlo/SuperPool	
2	Accessório:	Racord de redução 2" - 1 1/2"	
	Retrofit:	Speck BADU Magna/Top	

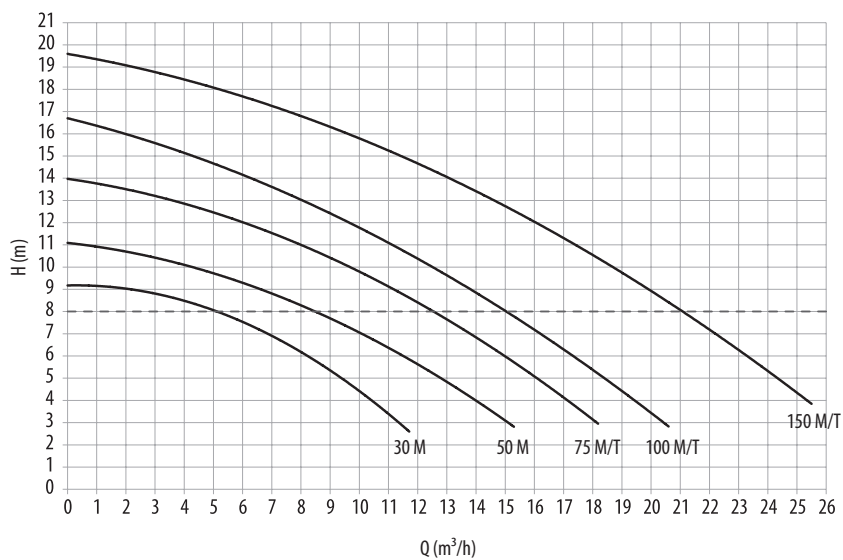
ESPECIFICAÇÕES										
		30M	50M	75M	75T	100M	100T	150M	150T	
Temperatura da água de funcionamento		5 a 35 °C								
Temperatura ambiente de funcionamento		2 a 50 °C								
Motor Tensão – nominal (*)		230 Vca - 50 Hz		400 Vca - 50 Hz	230 Vca - 50 Hz	400 Vca - 50 Hz	230 Vca - 50 Hz	400 Vca - 50 Hz		
Motor Potência - fases		1P		3P	1P	3P	1P	3P		
Motor Aceitável - variação de tensão		±10% (durante a operação)								
Motor Potência-nominal	CV	0,50		0,75		1,00		1,50		
Motor Saída nominal (P2)	W	375		550		750		1100		
Motor Entrada máxima (P1)	W	605		770	750	1020	970	1400		
Motor Amperagem	A	2,7		3,6	1,6	5	1,9	6,5	2,5	
Motor Grau de proteção		IPX5								
Caudal máximo da bomba a 3 m de altura	m ³ /h	11,5	15,0	18,0		20,5		26		
Caudal da bomba a 8 m de altura	m	5,0	8,5	12,5	12,5	15		21		
Altura máxima da bomba (H max)	mH ₂ O	9	11	14		17		19,5		
	bar	0,9	1,1	1,4		1,7		1,9		
Ligações da bomba		Diâmetro da tubagem de sucção e descarga: 50 mm Ligação roscada de sucção e descarga: Externa G2 ¼" / Interna G1 ½"								
Máxima salinidade da água		6,0 g/l (6000 ppm)								

DIMENSÕES E MARCAÇÃO



A	B	C
Entrada de água	Saída de água	Tampa do pré-filtro

CURVAS DE DESEMPENHO



3. INSTALAÇÃO

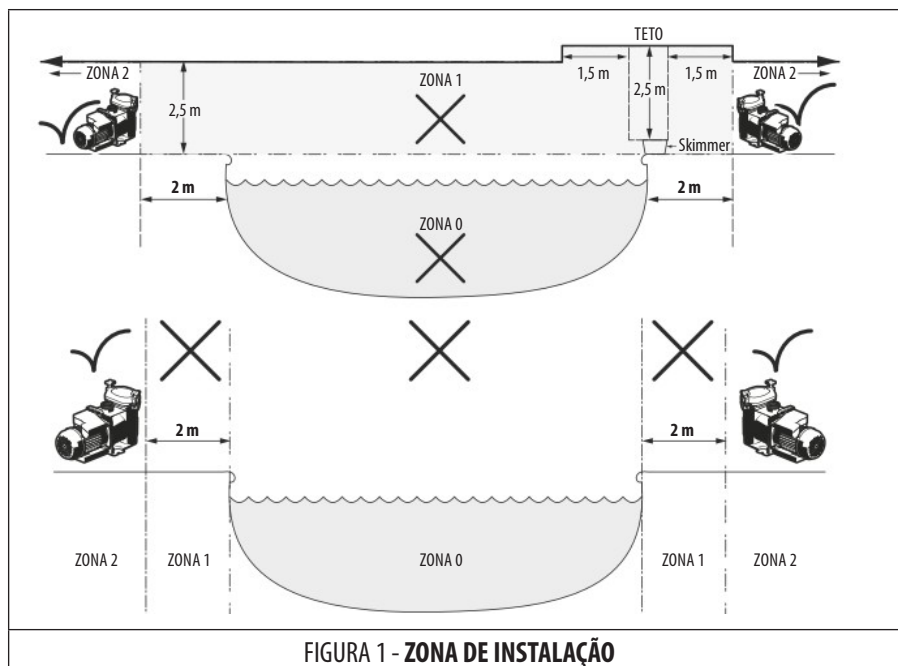
3.1 SELEÇÃO DA LOCALIZAÇÃO

A bomba deve ser instalada:

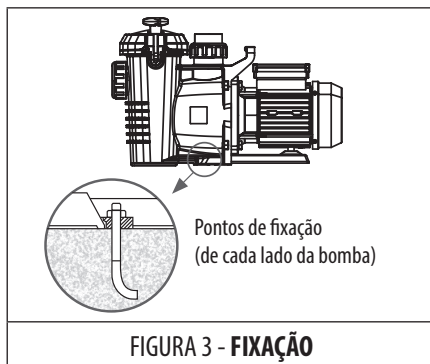
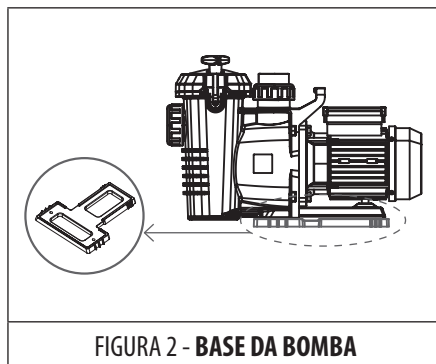
- Antes do filtro, de um sistema de aquecimento e/ou do tratamento de água.
- A uma distância mínima de 2 metros da borda da piscina, para evitar que o aparelho seja borrifado com água. Alguns padrões permitem outras distâncias. Consultar as normas vigentes no país de instalação.
- Idealmente, 30 cm abaixo do nível da água.
- Fora de uma área sujeita a inundações ou sobre uma base com drenagem.
- Numa área ventilada, para permitir a refrigeração da bomba.

Não se deve instalar a bomba:

- Numa área exposta a chuva e salpicos.
- Perto de uma fonte de calor ou fonte de gás inflamável.
- Numa área que não se possa limpar ou manter livre de folhas, folhagem seca e outros elementos inflamáveis.
- Na Zona 0 e na Zona 1 (FIGURA 1).



- É necessário ter fácil acesso ao aparelho para realizar trabalhos de manutenção.
- Coloque-a sobre uma superfície estável, nivelada e sólida (p. ex., piso de betão).
- Se necessário, use a base para levantar a bomba até ao nível da tubagem existente. (FIGURA 2).
- Fixar a bomba ao piso usando o perno de cimentação que se adapte adequadamente. (FIGURA 3).

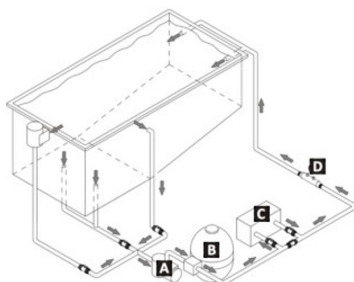


3.2 LIGAÇÕES HIDRÁULICAS



- Respeite o sentido das ligações hidráulicas.

- Escolha a dimensão das tubagens de acordo com o tamanho da piscina e respeitando as normas hidráulicas em vigor no país de instalação.
- Para as ligações hidráulicas, use as ligações padrão previstas.
- Instale uma válvula de retenção se o filtro estiver instalado acima do nível da água.
- Instale válvulas de isolamento (sucção e descarga), se a bomba estiver instalada abaixo do nível da água.
- Para evitar dificuldades com o enchimento, instale o tubo de aspiração sem pontos elevados que podem acumular ar.
- Verifique que as ligações hidráulicas estão bem apertadas e que não há fugas.
- As tubagens devem estar apoiadas para evitar qualquer risco de rutura devido ao peso da água.



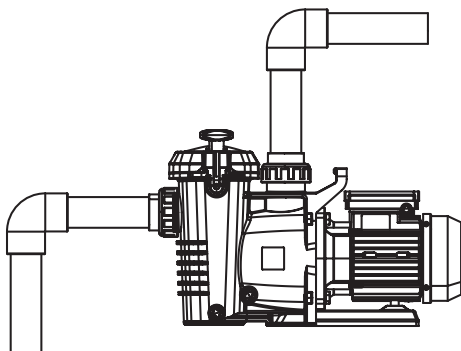
A Bomba

B Filtro

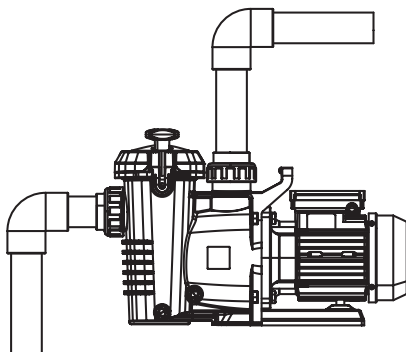
C Sistema de aquecimento

D Sistema de tratamento da água

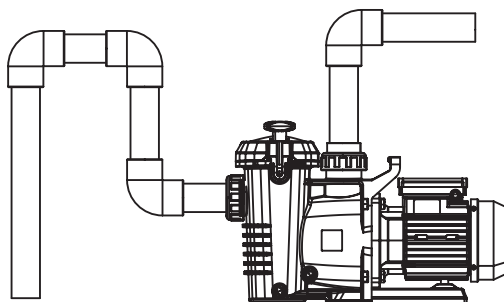
- Use o menor número possível de cotovelos. Se usar mais de 10 cotovelos, aumente o diâmetro dos tubos. Distância total máxima (todas as bombas desta gama): 20 metros.



Comprimento da tubagem de aspiração = $4 \times \varnothing$



Tubagem de aspiração muito curta. **Risco de cavitação**



Retenção de ar. **Risco de enchimento incorreto do pré-filtro.**

3.3 LIGAÇÕES ELÉTRICAS

- Para evitar o sobreaquecimento do quadro de terminais (poderia criar risco de incêndio), verifique que todos os terminais estão corretamente apertados. Os terminais soltos anularão a garantia.



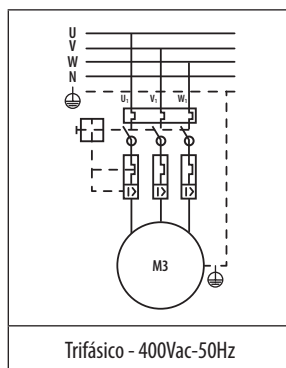
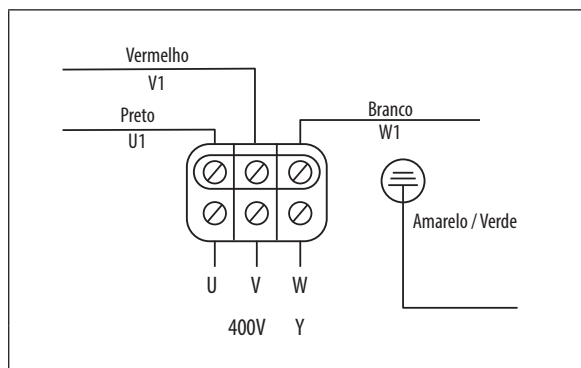
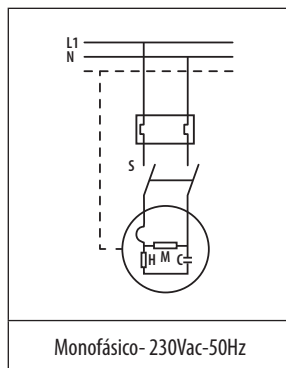
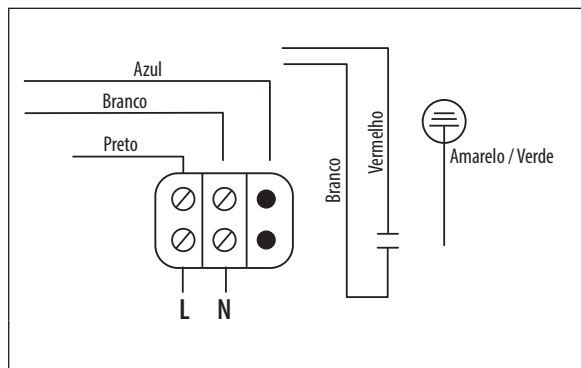
- Qualquer ligação elétrica inadequada anulará a garantia.
- O cabo de alimentação deve estar isolado e protegido contra abrasões e danos.
- Utilize a estopa para passar o cabo de alimentação para o aparelho.

3.3.1 LIGAÇÕES ELÉTRICAS



Corte a eletricidade e instale uma tomada de terra na bomba antes de começar o trabalho elétrico.

1. Desenrosque os 4 parafusos para abrir a caixa de ligações.
2. Desligue e retire os cabos de teste de fábrica da placa de terminais.
3. Passe o cabo de alimentação pelo perno e ligue os cabos.
4. Feche a caixa de ligações elétrica, verificando se a junta está no sítio devido, e aperte os quatro parafusos.



4. UTILIZAÇÃO

4.1 PRINCÍPIO DE FUNCIONAMENTO

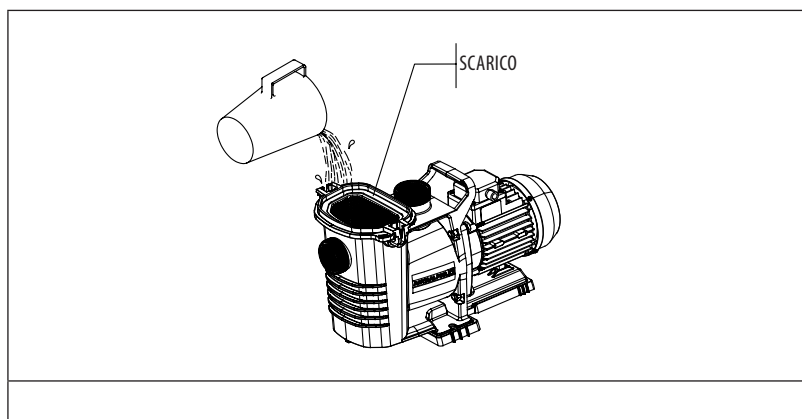
A bomba de filtragem forma o núcleo da piscina e é fundamental, visto que é utilizada para fazer circular a água através dos diferentes componentes, nomeadamente o filtro.

O seu motor faz rodar a turbina que, por sua vez, impulsiona a água. O cesto do pré-filtro recolhe os resíduos relevantes para evitar que o filtro fique obstruído ou danificado.

4.2 FUNCIONAMENTO



- Para evitar qualquer risco de explosão que possa causar danos materiais, lesões graves ou até a morte, certifique-se de que o circuito hidráulico está livre de obstruções, não está bloqueado e não está exposto a pressão excessiva.
- A tampa do cesto do pré-filtro deve ser fechada à mão (não utilize nenhuma ferramenta).
- Verifique que as ligações hidráulicas estão corretamente apertadas.
- Verifique que a bomba está estável e nivelada.
- O circuito hidráulico deve estar purgado e não conter corpos estranhos.
- A tampa do cesto do pré-filtro da bomba deve estar devidamente fechada (à mão) e a respetiva junta limpa e no lugar correto.
- Verifique que as válvulas estão abertas.
- A bomba é autoaspirante. É obrigatório encher o pré-filtro com água antes de colocá-lo em funcionamento pela primeira vez para facilitar o procedimento (FIGURA 4).



- A bomba tem uma capacidade de enchimento de até 1,5 metros acima do nível da água da piscina e ao nível do mar (se o circuito hidráulico estiver perfeitamente selado).
- Purgue o ar existente no circuito de filtragem utilizando a purga, normalmente presente no filtro (consulte o manual do filtro da piscina).

- Verifique que não há fugas no circuito hidráulico.
- Verifique que o motor roda no sentido correto (na direção do ventilador situado na parte traseira do motor) (FIGURA 5).

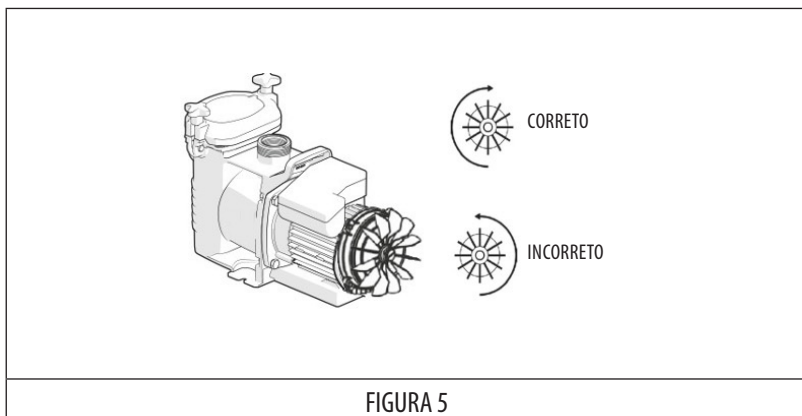


FIGURA 5

- Ponha a bomba a funcionar e verifique pela tampa do pré-filtro que a bomba enche totalmente num período de tempo não superior a 12 min.

5. MANUTENÇÃO

A cada 100 horas de funcionamento, consoante o nível de limpeza da água, devem-se avaliar os seguintes pontos:



- Limpar o cesto do pré-filtro regularmente para evitar quedas de pressão. Para evitar uma possível rutura do cesto, não é aconselhável bater no cesto durante as operações de limpeza.

- Caso a bomba pare, verificar se o consumo de amperes do motor em funcionamento é igual ou inferior ao indicado na placa de características do fabricante, ou em caso de anomalia dirigir-se ao Serviço de Assistência Técnica mais próximo.



- Esvaziar a bomba sempre que for necessário deixar o equipamento algum tempo sem funcionar, principalmente em países frios onde possa existir o perigo de congelação.

- Para esvaziar a bomba, extrair o tampão de purga.

- Sempre que o pré-filtro for aberto, limpar as impurezas do alojamento da junta e da própria junta para garantir a estanquidade no fecho da tampa (FIGURA 6).

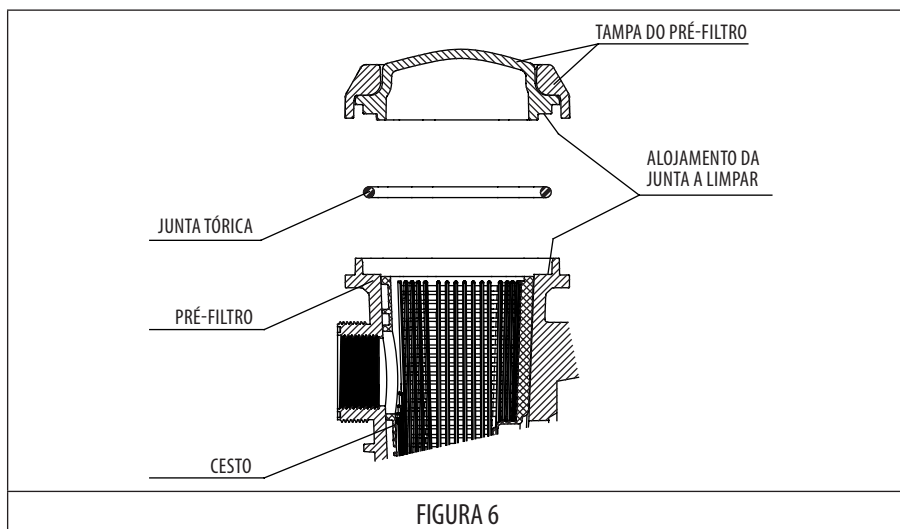
- Os componentes da bomba que, devido à sua utilização habitual, sofram desgaste e/ou deterioração devem ser substituídos periodicamente para manter o bom rendimento da bomba. A tabela a seguir lista os componentes fungíveis e/ou consumíveis da bomba e o período de tempo após o qual devem ser substituídos.

DESCRIÇÃO DO COMPONENTE	INTERVALO DE TEMPO ENTRE SUBSTITUIÇÕES
Capacitor	10 000 h
Rolamentos	10 000 h
Fecho mecânico	10 000 h
Juntas e outros elementos de estanquidade ⁽¹⁾	10 000 h

⁽¹⁾ A abertura e o fecho da bomba para a substituição de qualquer uma das peças sobresselentes internas não garante a estanquidade posterior. Por esse motivo, recomenda-se substituir as juntas tóricas e os elementos de estanquidade sempre que a junta mecânica e/ou os rolamentos forem substituídos.

O período de vida útil estimado das peças anteriores foi estabelecido tendo em conta condições normais de utilização e instalação do produto.

Seguir as instruções do manual de instalação para manter o período de vida útil da bomba.



6. RESOLUÇÃO DE PROBLEMAS

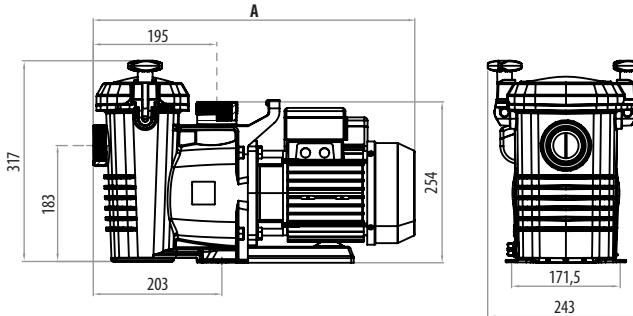
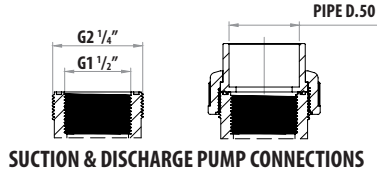


- Se surgir algum problema, antes de entrar em contacto com o seu distribuidor, realize estas simples verificações utilizando as seguintes tabelas.
- Se o problema persistir, contacte o seu distribuidor.
- Ações que devem ser realizadas exclusivamente por um técnico qualificado.

6.1 COMPORTAMENTO DO APARELHO

CAUSA	SOLUÇÃO
A bomba não arranca/O motor não roda.	<ul style="list-style-type: none"> • Corte de energia elétrica. Verifique os disjuntores. • Verifique a ligação entre o cabo de alimentação e os terminais do motor. • Certifique-se de que o eixo do motor roda livremente. Verifique que não há resíduos no cesto pré-filtro. • Se houver resíduos, retire a bomba para aceder à turbina.
A bomba não enche/ Pode haver ar no cesto do pré-filtro.	<ul style="list-style-type: none"> • Verifique a posição das válvulas do circuito hidráulico. • Há ar preso no circuito, drene o circuito hidráulico (parafuso de drenagem no filtro). • O nível da água da piscina é demasiado baixo, o circuito está a aspirar ar; encha a piscina. • A junta da tampa do pré-filtro está com defeito, verifique o estado da junta e a estanquidade correta da tampa.
Caudal baixo/Pressão de filtro baixa.	<ul style="list-style-type: none"> • O cesto do pré-filtro está cheio de resíduos; limpe-o. • Fuga de ar no circuito. Verifique todos os binários de aperto. • A turbina e o difusor da bomba estão bloqueados ou desgastados; substitua-os. • A junta do difusor está desgastada; substitua-a. • Rotação inversa do motor (só modelos trifásicos); verifique a ligação elétrica dos terminais da bomba.
Caudal baixo/Pressão de filtro alta.	<ul style="list-style-type: none"> • O filtro está obstruído. Lave o filtro (ou o cartucho, conforme o caso). • Verifique a posição das válvulas do circuito hidráulico.
A bomba faz muito ruído.	<ul style="list-style-type: none"> • Fuga de ar ou cavitação na tubagem de aspiração. Verifique a posição das válvulas e ajuste onde for necessário. • Bomba mal colocada no piso. Verifique que está assente numa posição plana sobre um piso duro e horizontal. Utilize calços antivibração quando for necessário. • Há um corpo estranho no cesto do pré-filtro. • Há um corpo estranho no corpo da bomba (neste caso, a bomba deve ser retirada e levada ao serviço técnico).
Fuga entre o corpo da bomba e o motor	<ul style="list-style-type: none"> • A junta mecânica está danificada; substitua-a.

TECHNICAL CHARACTERISTICS
RENSEIGNEMENTS TECHNIQUES
CARACTERÍSTICAS TÉCNICAS
DATI TECNICI
TECHNISCHE ANGABEN
TECHNISCHE EIGENSCHAPPEN
CARACTERÍSTICAS TÉCNICAS



SENEXT PUMP							
CODE	DESCRIPTION	MOTOR				DIMENSION (mm)	
		HP	P1 (W)	Voltage(*)	Type	Overall length "A"	Pipe size (Ø)
71616	Senext 30M	0.5	375	230 VAC-50Hz	C.71	481.5	Ø50
71617	Senext 50M	0.5	375	230 VAC-50Hz			
71618	Senext 75M	0.75	550	230 VAC-50Hz			
71619	Senext 75T			400 VAC-50Hz			
71620	Senext 100M	1	750	230 VAC-50Hz			
71621	Senext 100T			400 VAC-50Hz			
71622	Senext 150M	1.5	1100	230 VAC-50Hz	C.80	507.5	
71623	Senext 150T			400 VAC-50Hz			

(*) Voltages 220/380 V ±10% of variation are acceptable too

Cod. 71616-0008 / Rev. 00

- We reserve the right to change all or part of the features of the articles or contents of this document, without prior notice.
- Nous nous réservons le droit de modifier totalement ou en partie les caractéristiques de nos articles ou le contenu de ce document sans préavis.
- Nos reservamos el derecho de cambiar total o parcialmente las características de nuestros artículos o contenido de este documento sin previo aviso.
- Ci riserviamo il diritto di cambiare totalmente o parzialmente le caratteristiche tecniche dei nostri prodotti ed il contenuto di questo documento senza nessun preavviso.
- Wir behalten uns das recht vor, die merkmale unserer produkte und den inhalt dieser beschreibung ohne vorherige unkündigung ganz oder teilweise zu ändern.
- Wij behouden ons het recht voor geheel of gedeeltelijk de kenmerken van onze artikelen of de inhoud van deze handleiding zonder voorafgaand bericht te wijzigen.
- Reservamo-nos no direito de alterar, total ou parcialmente características dos nossos artigos ou o conteúdo deste documento sem aviso prévio.