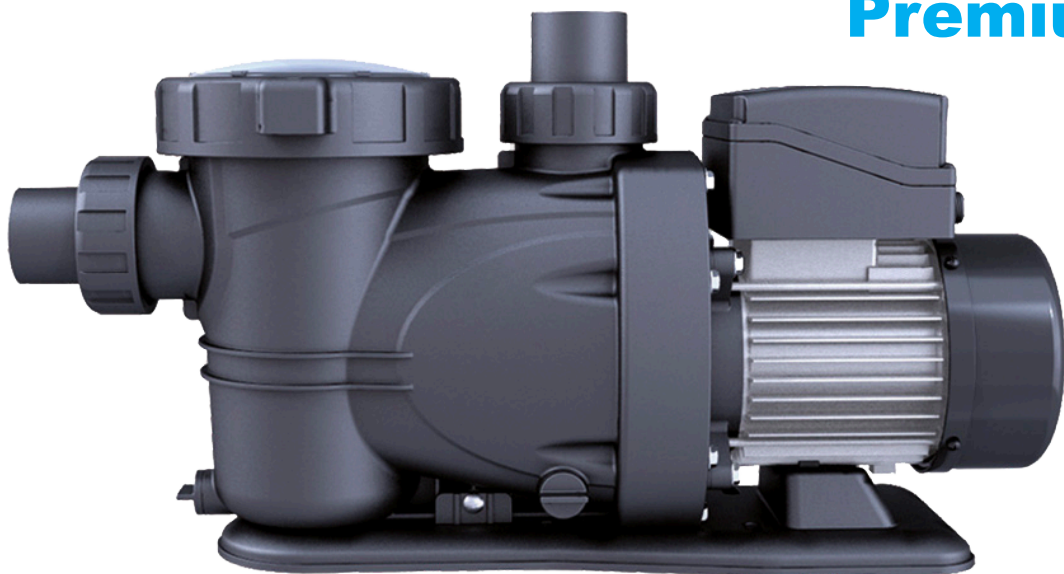




www.grepool.com

Instruction Manual - Manual de Instrucciones  
Manuel d' instructions - Bedienungsanleitung  
Manuale delle istruzioni - Handleiding met instructies  
Manual de instruções - Instrukcja obsługi - Návod k použití - Návod na  
použitie - Manual Instrucțiuni - Instruktionshandbok

- EN Pumps
- ES Bombas
- FR Pompes
- DE Pumpen
- IT Pompe
- NL Pomps
- PT Bombas
- PL Pompy
- CS Čerpadla
- SK Čerpadla
- RO Pompe



**Premium**

**Ref. PP077H (0,75 CV) / PP102 (1 CV) / PP152 (1,5 CV)/ PP202 (2 CV)**

DISTRIBUTED BY - DISTRIBUIDO POR - DISTRIBUÉ PAR- VERTRIEB DURCH - DISTRIBUITO DA - GEDISTRIBUEERD DOOR - DISTRIBUÍDO POR - WYPRODUKOWANY PRZEZ -

DISTRIBUTOR - DISTRIBÚTOR - DISTRIBUIT DE - DISTRIBUERAD AV:

MANUFACTURAS GRE S.A. - ARITZ BIDEA Nº 57 BELAKO INDUSTRIALDEA - APARTADO 69 - 48100 MUNGUIA (VIZCAYA) ESPAÑA  
Nº REG. IND.: 48-06762

MADE IN CHINA - FABRICADO EN CHINA - FABRIQUÉ AU CHINE - HERGESTELLT IN CHINA - PRODOTTO IN CHINA - GEPRODUCEERD IN CHINA - FABRICADO NA RPC - WYPRO-  
DUKOWANO W CHINACH - VYROBENO V ČÍNE - VYROBENÉ V ČÍNE - FABRICAT ÎN CHINA - TILLVERKAD I KINA

HIMPP077H/PP102/PP152/PP202.24

SAFETY INSTRUCTIONS. READ CAREFULLY



- Our pumps may only be assembled and installed in pools compliant with standards IEC/HD 60364-7-702 and required national rules.
- The installation should follow standard IEC/HD 60364-7-702 and required national rules for swimming pools. Consult your local dealer for more information.
- The pump can not be installed in Zone 0 (Z0) or Zone 1 (Z1). To see drawings refer to pages 61, 62 and 63.
- The electrical installation should be performed by professional staff qualified in electrical installations.
- The apparatus must not be on while the pool is being used.
- Do not operate the apparatus unless it is properly primed.
- NEVER touch the apparatus when it is operating if you are wet or have wet hands.
- When handling the pump, DISCONNECT the power supply.
- Make sure that the ground is dry before touching the electrical equipment.
- Do not install the apparatus where it could become wet, as it may cause electrocution.
- This appliance is not intended for use by persons (including children) with reduced physical, sensory or mental capabilities, or lack of experience and knowledge, unless they have been given supervision or instruction concerning use of the appliance by a person responsible for their safety. Children should be supervised to ensure that they do not play with the appliance.
- This appliance can be used by children aged from 8 years and above and persons with reduced physical, sensory or mental capabilities or lack of experience and knowledge if they have been given supervision or instruction concerning use of the appliance in a safe way and understand the hazards involved. Children shall not play with the appliance. Cleaning and user maintenance shall not be made by children without supervision.
- If the supply flex of the apparatus is damaged, it should be replaced. Read the instructions carefully to replace it. If in doubt, contact the technical service.

This mode allows making a correct installation with optimal results of your swimming pool pump. Carefully read this instruction manual.

Your new pump is a one-stage self-priming, centrifugal pump, designed for use with a swimming-pool filtering system. It is designed to be used with clean water for temperatures between 5 °C and 35 °C. It is manufactured from high quality materials subject to strict hydraulic and electrical tests. A correct installation of this pump is assured by following the instructions from this manual. We decline all responsibility for damages caused by use different to that explained in this instruction manual.

## **IMPORTANT**

This manual contains basic information on the safety measures to be adopted during installation and start-up. The fitter and the user must therefore read the instructions before installation and start-up.

## **GENERAL SAFETY REGULATIONS**

- The machines indicated in this Manual are especially designed for the pre-filtering and recirculation of water in swimming pools
- Install them in line with the specific instructions for each installation
- All modifications to the pump require prior authorisation from the manufacturer. Original spare parts and accessories authorised by the manufacturer ensure greater safety. The pump manufacturer is exempt from all liability regarding any damage caused by

unauthorised spare parts or accessories.

- When working on each machine or on the units linked to them, disconnect the unit from the power supply and the startup devices, as the electrical parts of the pump are live during operation.
  - All assembly and maintenance work must be carried out by qualified and authorised personnel who have carefully read the installation and service instructions.
  - To guarantee safety when operating the machine, you must comply with that set out in the installation and service instructions.
  - In the event of defective operation or faults, contact your supplier or nearest representative.
  - If the power supply cable is damaged, the manufacturer, its after-sales service of qualified technicians, should replace it in order to avoid hazards.
  - The device should be connected to electricity outlet with earth connection, protected by a Residual Current circuit breaker that does not exceed 30 mA.
- 
- Make sure that water is unable to enter the motor or the live electrical parts.
  - Avoid contact at all times - even accidentally - with moving machine parts while the machine is running and/or before it comes to a complete standstill
  - Wait for the machine to come to a halt before handling it.
  - Before any electrical or mechanical maintenance operation, disconnect the unit from the power supply and block the start-up devices.
  - To reduce risk of injury, children should not use this product.
  - Do not bury the electric cable. Lay the cable so it cannot be damaged by machinery, like mowing machines, etc.
  - Do not start the pump before it is correctly connected to the swimming pool.
  - To reduce risk of electric shock, change the electric cable immediately when damaged.
  - To reduce risks of electric shock, do not use extension cables to connect the pump to a power supply. Connect it to a correctly installed electricity outlet.
  - Do not use the pump without water!

## **INSTALLATION**

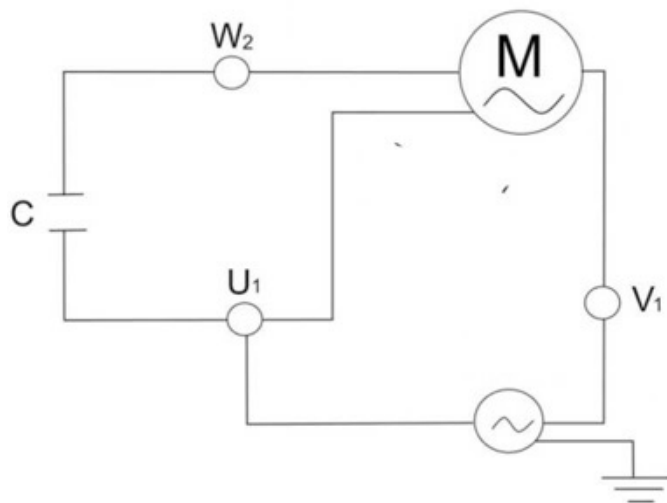
- Only authorised and qualified personnel should install the pump and its cabling, respecting the current legislation.
  - The pump should be installed horizontally, screwing it to the support, to avoid vibration and unwanted noise.
  - The pump should be installed far from any corrosive or flammable products.
  - The pump should have sufficient drainage to avoid risk of flooding and should be protected from excessive humidity.
  - Install independent water inlet and outlet valves.
- 
- Allow for sufficient access space for pump maintenance and make sure that the technical plate of the pump is visible.
  - During the installation of the pump, position it so there is 1 meter of free space around it.

## **ELECTRICAL INSTALLATION**

- Place the motor on the floor before connecting it to the mains. Otherwise, the motor could cause a serious and even mortal electric shock. Do not place it on the floor over a gas pipe.
- To avoid a dangerous or mortal electric shock, disconnect the power supply of the

motor before working on the electrical connections.

- If it short-circuits, this will indicate there is an electricity problem. If it short-circuits and cannot be restarted, ask a qualified electrician to verify and repair the electrical system.
  - The unit should be connected to an alternating current supply (see data on the pump's plate) with an earth connection, protected by a residual current device (RCD) with a rated residual operating current that does not exceed 30 mA.
  - Unsuitable mains connections involve the risk of electrocution.
  - The power supply should exactly correspond to the voltage indicated on the plate of the motor. Incorrect voltage could provoke a fire and/or damage the motor, and would cancel the guarantee. In case of doubt, check with an electrician.
  - The electric cable is included and comes with a "Y" connection. If it is necessary to replace the electricity cable, the new cable should also be of the appropriate type. The guarantee will be cancelled in the case of any unauthorised modification of the components.
  - The electrical installation has to be according to current legislation.
  - If the electrical cable is damaged, the manufacturer, its agent, or any other qualified person should replace it to avoid any damage.
  - The pump is equipped with complete thermal protection. Follow the assembly diagram below for correct electrical installation.
  - The electrical installation should be done by someone qualified in working with electrical equipment. This device is not designed to be used by children, by physically disabled persons or those with reduced sensorial or psychological ability or by persons without experience or knowledge of the device, unless a persons responsible for safety is in charge of their care and provides them with previous instructions for handling the device.
- Do not permit children nor adults to sit or lean on the equipment. Children should be supervised to ensure that they do not play with the equipment.
- Adjust the value of the thermal relay appropriately depending on the pump current.
  - Unsuitable mains connections involve the risk of electrocution



## Assembly of pipes

- The pipes should be assembled before and after the pump and should have diameters equal of above those of the pump inlet.
- The suction and expulsion pipes should never stay connected to the pump.
- Well seal all the connections and the cover of the pump to avoid possible water leaks into the motor, which could damage it.

## Tests before starting the pump

Carry out the following operations before starting the pump:

- Check that the power supply as well its frequency correspond to the information of pump specification plate.
- Before starting the pump, fill it with water for self-priming of the pump.
- Check that the mains voltage and frequency correspond with those indicated on the pump characteristics plate
- The pump can continuously work.

Starting the pump

Start the pump only when the suction and expulsion tubes are connected to the inlet and outlet of the pump. Check there are no obstacles in the pipes.

## Maintenance and cleaning

- Your new pump does not need any specific or programmed maintenance In the case that the pump is not used during some time, we recommend dismantling it and cleaning it to be kept in a dry and well-aired place.
  - If the electrical cable is damaged, the manufacturer, its agent, or any other qualified person to avoid any danger should replace it to avoid any dangers.
  - Regularly clean your pump, removing any dirt from the filter so the inlet pipe is not blocked or the pump damaged.
  - Pump components that, due to their normal use, suffer wear and/or tear must be regularly replaced to ensure good pump performance.
  - For regular control:
    - Check that the mechanical parts are tightly secured and check the condition of the screws supporting the machine.
    - Check that the power conductors and isolating parts are in their correct position, are secure and in a good state of repair.
- Check the temperature of the machine and the electric motor. In the event of a fault, stop the machine immediately and contact the nearest Technical Assistance Service.
- Check for machine vibrations. In the event of a fault, stop the machine immediately and contact the nearest Technical Assistance.

Symptoms	Causes	Solution
The pump does not work	There is no power supply	Use another device that works to check the electricity outlet and check the short-circuit switches
	It has short-circuited	Check the short-circuit switches and replace them if necessary
	The automatic thermal cut-out of the pump has activated to protect it.	Cut the power supply and leave to cool before re- starting the pump. Make sure the pump and motor have sufficient ventilation space. Make sure that the pump is not obstructed by dirt and the motor can turn freely
	The motor has burnt out due to a power supply overload or flooding	You may have to change the motor.
The pump works with reduced or no flow	The pump is blocked (check if the motor turns freely)	Blockage in the pump or in the basket
	The valves are closed	Check the system to make sure that the valves are in the correct position for filtering, including the inlet and outlet valves of the pump.
	The filter is full of dirt	Clean the filter
	Air in the system	Start the pump (see starting procedure). Check to see there are no suction air leaks in the pipes or in the connections. Make sure that the lid of the basket is well closed and hermetically sealed. Check there are no leaks under the pump.
	Lack of water	Make sure that the water level is at least at the height of the skimmer.
	Dirt in the pump or in the skimmer. (Note: Do not make the pump work without the pump or skimmer basket correctly assembled.	Make sure the pump or skimmer baskets are not full of dirt. Make sure there is no blockage at the inlet or outlet of the pump or make sure there are no foreign objects in the pump.
Leak between the casing of the pump and the motor.	The screws of the casing are not tightened. The watertight or metallic gasket is worn.	Cut-out the pump and loosen the screws, check the alignment and the condition of the water-tight gaskets before tightening the screws, replace the gaskets if necessary.
Pre-filter cover	The cover is not correctly closed	Make sure the lid correctly compresses the O-ring seal.



**INDICACIONES DE SEGURIDAD, LÉALAS ATENTAMENTE**

- Nuestras bombas únicamente se pueden montar e instalar en piscinas que cumplan con las normas IEC/HD 60364-7-702 y con la normativa nacional requerida. La instalación debe realizarse de conformidad con la norma IEC/HD 60364-7-702 y la normativa nacional requerida para piscinas. Contacte con su distribuidor local para obtener más información.
- La bomba no se puede instalar en las zonas 0 (Z0) y 1 (Z1). Puede ver un diagrama en las páginas 61, 62 y 63.
- La instalación eléctrica debe ser hecha por personal profesional cualificado en instalaciones eléctricas.
- No tenga el aparato en marcha mientras utiliza la piscina.
- No toque NUNCA el aparato en marcha con el cuerpo húmedo o las manos húmedas.
- Siempre que deba manipular el aparato, DESCONÉCTELO de la toma de corriente.
- Asegúrese de que el suelo está seco antes de tocar el equipo eléctrico.
- No coloque la bomba donde pueda mojarse, puede causar electrocución.
- Este aparato no ha sido diseñado para que lo utilicen personas (incluidos niños) con capacidades físicas, sensoriales o mentales reducidas, o con falta de conocimiento y experiencia, a menos que estén bajo supervisión o hayan recibido instrucciones sobre el uso del aparato de una persona que se responsabilice de su seguridad. Los niños deben estar supervisados para que no jueguen con el aparato.
- Este producto pueden utilizarlo niños a partir de los 8 años en adelante y personas con facultades físicas, sensoriales o mentales reducidas o con falta de experiencia y conocimiento, siempre que lo hagan bajo supervisión o siguiendo las instrucciones relativas al uso del producto de forma segura y que tengan conocimiento de los riesgos que entraña. Los niños no deben jugar con el producto. La limpieza y el mantenimiento del usuario no deben realizarlos niños sin supervisión.
- Si el cable flexible de alimentación de este aparato está dañado, debe ser sustituido. Lea detenidamente las instrucciones para su sustitución. Ante la duda consulte con un servicio técnico.

Ese modo de empleo le permite hacer una instalación correcta con un resultado óptimo de su bomba de piscina. Leer atentamente las instrucciones de uso. Su nueva bomba es una bomba centrífuga de una sola etapa, autocebante, concebida para uso con un sistema de filtración de piscina. Se debe utilizar con agua limpia y una temperatura comprendida entre 5 °C et 35 °C. Está fabricada con materiales de alta calidad sujetos a controles hidráulicos y eléctricos rigurosos. Se asegura una instalación correcta de la bomba siguiendo las instrucciones de este manual. No nos responsabilizamos de los daños causados por un uso distinto a lo explicado en este manual de empleo.

**IMPORTANTE**

El manual, que usted tiene en sus manos, contiene información fundamental acerca de las medidas de seguridad a adoptar a la hora de la instalación y la puesta en servicio. Por ello, es imprescindible que tanto el instalador como el usuario lean las instrucciones antes de pasar al montaje y la puesta en marcha.

## **NORMAS GENERALES DE SEGURIDAD**

- Las máquinas citadas en este Manual están especialmente diseñadas para obtener el prefiltrado y la recirculación del agua en las piscinas.
- Efectuar la instalación de acuerdo con las indicaciones particulares de cada implantación.
- Respetar las normas vigentes para la prevención de accidentes.
- Para cualquier modificación en la bomba es requerida la previa autorización del fabricante. Los repuestos originales y los accesorios autorizados por el fabricante sirven para garantizar una mayor seguridad. El fabricante de la bomba queda eximido de toda responsabilidad de los daños ocasionados por

repuestos o accesorios no autorizados.

- Al efectuar el trabajo sobre cada máquina o sobre los equipos a ella ligada, hay que desconectar el equipo de la red eléctrica de alimentación y los dispositivos de arranque, ya que durante el funcionamiento las partes eléctricas de la bomba se encuentran bajo tensión.
- Los trabajos de montaje y mantenimiento deben ser llevados a cabo por personas cualificadas y autorizadas.
- Cumplir lo expuesto en las instrucciones de instalación y servicio para garantizar la seguridad en el funcionamiento de la máquina.
- En caso de funcionamiento defectuoso o avería, diríjase a su proveedor o a la representación más próxima del mismo.
- Si el cable de alimentación está dañado, la sustitución debe efectuarla el fabricante, su servicio posventa o personal cualificado, con el fin de evitar riesgos.

## **ADVERTENCIAS EN LOS TRABAJOS DE INSTALACIÓN DE MONTAJE INSTALLATION**

- El equipo se debe conectar a una toma corriente (ver datos en chapa característica de la bomba) con conexión a tierra, protegida con un interruptor diferencial (RCD) con una corriente de funcionamiento residual asignada que no exceda de 30 mA.
- Prestar particular atención a que de ninguna manera entre agua en el motor y en las partes eléctricas en tensión.
- Evitar en todo momento el contacto, incluso accidental, con las partes móviles de la máquina durante el funcionamiento de la misma y/o antes de su parada total.
- Esperar a que la máquina esté completamente parada para realizar cualquier manipulación sobre la misma.
- Desconectar la máquina de la red de alimentación y bloquear los dispositivos de puesta en marcha, antes de proceder a cualquier intervención de mantenimiento eléctrico o mecánico.
- Para limitar los riesgos de lesión, ese producto no debe ser utilizado por niños.
- No enterrar el cable eléctrico. Poner el cable de modo que este no pueda ser dañado por máquinas corta césped, etc....
- No arrancar la bomba antes de que esta esté conectada correctamente a la piscina.
- Para limitar los riesgos de choque eléctrico, no utilizar alargadores para conectar la bomba a la fuente de electricidad. Conectarla en un enchufe eléctrico instalado correctamente.
- No hacer funcionar la bomba sin agua

## **INSTALACIÓN**

Sólo el personal autorizado y cualificado deberá instalar la bomba y el cableado, res-



petando las normas vigentes.

- La bomba tendrá que estar instalada horizontalmente, fijándola con tornillos en el soporte, para evitar vibraciones y ruidos molestos.
- La bomba debe estar instalada en un lugar lejos de todo producto corrosivo o inflamable.
- La bomba debe tener un drenaje suficiente para evitar el riesgo de inundación y debe estar protegida de un exceso de humedad.
- Prever válvulas independientes a las de entrada y salida de agua.
- Prever un acceso suficiente para el mantenimiento de la bomba y asegurarse que la etiqueta de datos técnicos de la bomba esté visible.
- Montar la bomba por debajo del nivel del agua de la piscina o estanque para mejorar el rendimiento de las bombas.
- Procurar que la bomba este a salvo de posibles inundaciones y reciba una ventilación de carácter seco
- Durante la instalación de la bomba, posicionarla para tener un espacio libre de 1m a su alrededor.

## **INSTALACIÓN ELÉCTRICA**

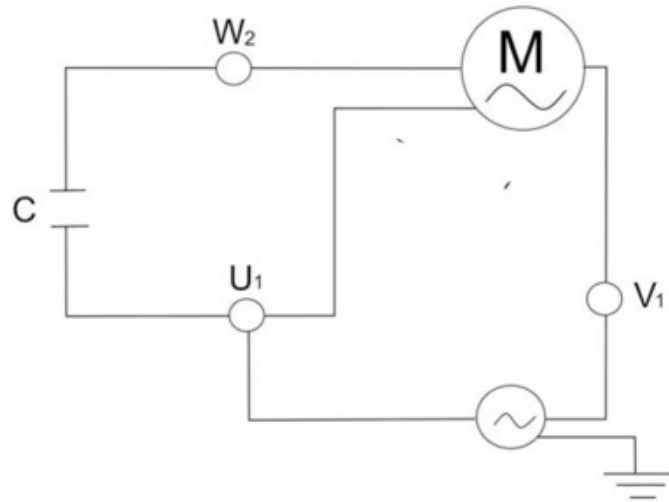
- Poner el motor en el suelo antes de conectarlo a la red. Sino, el motor podrá provocar un choque eléctrico grave y hasta mortal. No ponerlo en el suelo encima de un conducto de gas.
- Para evitar un choque eléctrico peligroso o mortal, desconectar la fuente de electricidad del motor antes de trabajar sobre las conexiones eléctricas.
- Si hay un cortocircuito, eso indicaría un problema eléctrico. Si hay un cortocircuito y no puede arrancar de nuevo, pedir a un electricista cualificado verificar y reparar el sistema eléctrico.
- Conecte la bomba a una fuente de corriente alterna con una toma de tierra, protegida por un dispositivo de corriente residual (RCD) que tenga una corriente operativa residual nominal inferior a 30 mA.
- Las conexiones de red inadecuadas implican riesgo de electrocución.
- La tensión de la alimentación debe corresponder exactamente al voltaje indicado en la placa del motor. Una tensión incorrecta podría provocar un incendio y/o dañar el motor, eso anularía la garantía. En caso de duda, consultar a un electricista.
- El cable eléctrico está incluido y viene con una conexión en "Y". Si el cable eléctrico se sustituye, el nuevo cable deberá ser el apropiado. La garantía será anulada en caso de una modificación no autorizada de los componentes.
- La instalación eléctrica tiene que ser conforme a las normas vigentes.
- Si el cable eléctrico está dañado, debe ser sustituido por el fabricante u otra persona cualificada para evitar cualquier peligro.
- La bomba está dotada de una protección térmica integrada. Seguir el montaje del esquema abajo para una conexión eléctrica correcta.

• La instalación eléctrica debe ser hecha por personal profesional cualificado en instalaciones eléctricas. Este dispositivo no está diseñado para ser utilizado por niños, por personas con capacidades físicas, sensoriales o psíquicas reducidas o por personas que carezca de experiencia o de conocimientos, salvo que una persona responsable de su seguridad esté a cargo de su vigilancia y les facilite las instrucciones previas para manejar el dispositivo.

No permita ni a niños ni a adultos apoyarse o sentarse sobre el aparato. Los niños de

ben ser supervisados para asegurar que no juegan con el equipo.

- Ajustar convenientemente el valor del relé térmico según intensidad de la bomba.
- Peligro de electrocución en caso de una conexión de red no adecuada.



## MONTAJE DE LAS MANGUERAS

- Las mangueras deben ser montadas a la entrada y a la salida de la bomba y deben tener diámetros iguales o superiores al de la entrada de la bomba.
- Las mangueras de aspiración y expulsión no deben en ningún caso quedarse en la bomba.
- Sellar bien todas las conexiones y la tapa de la bomba para evitar pérdidas de agua en el motor, lo cual podría dañarlo.

## CONTROLES ANTES DE PONER EN MARCHA LA BOMBA

Antes de poner en marcha la bomba, realizar las siguientes operaciones:

- Verificar que la tensión suministrada así como la frecuencia corresponden a la información de la placa de la bomba.
- Antes de ponerla en marcha, llenar la bomba con agua para la autocebación de la bomba.
- Comprobar que la tensión y la frecuencia de la red se corresponden con las determinadas en la placa de características de la bomba.
- La bomba puede funcionar en continuo.

## ARRANQUE DE LA BOMBA

Arrancar la bomba únicamente cuando los tubos de aspiración y de expulsión estén conectados a la entrada y a la salida de la bomba. Verificar que no hay obstáculos en los tubos.

## MANTENIMIENTO Y LIMPIEZA

- Su nueva bomba no necesita un mantenimiento o programación específico. En caso de que la bomba no se utilice durante un tiempo, se aconseja desmontarla, limpiarla y colocarla en un lugar seco y bien aireado.

- Si el cable eléctrico está dañado, debe ser sustituido por el fabricante, su agente, o una persona cualificada para evitar cualquier peligro.
- Limpiar su bomba de forma regular quitando la suciedad de su filtro, para que el tubo de entrada no se bloquee y dañe la bomba.
  
- Los componentes de la bomba que por su uso habitual sufren desgaste y/o deterioro han de ser repuestos periódicamente para mantener el buen rendimiento de la bomba.
- Controlar periódicamente:
  - La correcta sujeción de las partes mecánicas y el estado de los tornillos de soporte de la máquina.
  - La correcta posición, la sujeción y el estado de los conductores de alimentación y de las partes aislantes.
  - La temperatura de la máquina y del motor eléctrico. En caso de anomalía, parar inmediatamente la máquina
  - Las vibraciones de la máquina. En caso de anomalía, parar inmediatamente la máquina.

## FALLOS

Síntomas	Causas	Solución
La bomba no funciona	No hay corriente.	Utilizar otro aparato que funcione para comprobar.
	El diferencial ha saltado.	Verificar el diferencial y sustituirlo si necesario.
	El paro térmico automático de la bomba se ha activado para proteger el motor.	Cortar la corriente de la bomba y dejar enfriar el motor antes de arrancarlo de nuevo. Asegurarse que la bomba y el motor tienen una ventilación suficiente alrededor. Asegurarse que la bomba no está obstruida por suciedad y que el motor gira libremente.
	El motor se ha quemado a causa de una sobretensión o inundado.	Es posible que se deba cambiar el motor.
La bomba funciona con un caudal reducido o sin caudal.	La bomba está bloqueada (verificar si el motor gira libremente).	Bloqueo en la bomba o en el cesto.
	Las válvulas están en posición cerrada.	Verificar el sistema para asegurar que las válvulas están en posición correcta para filtrar, incluidas las válvulas de entrada y salida de la bomba
	El filtro está lleno de suciedad.	Limpiar el filtro
	Aire en el sistema.	Arrancar la bomba (ver procedimiento de arranque) Verificar si no hay fugas de aire en los tubos de aspiración o en las conexiones. Asegurarse que la tapa del cesto está bien cerrada y estanca. Verificar que no hay fugas debajo de la bomba. Verificar que no hay fugas debajo de la bomba.
	Falta de agua.	Asegurarse que el nivel de agua de la piscina esté por lo menos a la altura del skimmer.
	Suciedad en la bomba o en el Skimmer (Nota: no hacer funcionar la bomba sin el cesto de la bomba o del skimmer montados correctamente).	Asegurarse que el cesto de la bomba o skimmer no estén llenos de suciedad. Asegurarse que no hay bloqueo a la entrada y salida de bomba. Asegurarse que no hay objetos en bomba.
Fuga entre el cuerpo de la bomba y el motor	Los tornillos del cuerpo no están bien apretados. La junta de estanqueidad o la junta metálica están desgastados	Cerrar la bomba y aflojar los tornillos. Verificar la alineación y el estado de las juntas de estanqueidad antes de atornillar de nuevo. Sustituir juntas si necesario.
Tapa del prefiltro	La tapa no está cerrada correctamente	Asegurarse que la tapa comprima bien la junta teórica

**INDICATIONS DE SÉCURITÉ, LISEZ-LES ATTENTIVEMENT**

- Nos pompes peuvent uniquement être montées et installées dans des piscines conformes aux normes IEC/HD 60364-7-702 et aux dispositions nationales en vigueur. L'installation doit être en conformité avec la norme IEC/HD 60364-7-702 et les dispositions nationales en vigueur relatives aux piscines. Pour tout renseignement à ce sujet, veuillez consulter votre vendeur.
- La pompe ne peut pas être installée dans la Zone 0 (Z0) ni dans la Zone 1 (Z1). Pour voir les dessins, reportez-vous à la pages 61, 62 et 63.
- L'installation électrique doit être faite par des professionnels qualifiés en installations électriques.
- Veillez à ce que l'appareil ne soit pas en marche pendant que vous utilisez la piscine.
- Ne faites pas fonctionner l'appareil s'il n'est pas amorcé correctement.
- Ne touchez JAMAIS le pompe en marche si vous avez le corps ou les mains humides.
- Chaque fois que vous devez manipuler le pompe, DÉBRANCHEZ-LES de la prise de courant.
- Vérifiez que le sol est bien sec avant de toucher l'équipement électrique.
- Ne placez pas le pompe dans un endroit où il pourrait être mouillé, cela pourrait causer une électrocution.
- Ce dispositif ne peut pas être utilisé par des personnes (enfants compris) présentant des capacités physiques, sensorielles ou mentales réduites, ou ayant peu d'expériences ou de connaissances en la matière, à moins qu'elles n'aient été informées de la manière d'utiliser le dispositif par une personne responsable de la sécurité. Surveillez les enfants pour vous assurer qu'ils ne jouent pas avec le dispositif.
- Ce dispositif peut être manipulé par des enfants à partir de 8 ans et plus et par des personnes présentant des capacités physiques, sensorielles ou mentales réduites ou ayant peu d'expériences ou de connaissances en la matière, s'ils ont été préalablement informés de la manière d'utiliser le dispositif par une personne responsable de la sécurité et qu'ils sont conscients des risques encourus. Les enfants ne doivent pas jouer avec le dispositif. Les tâches de maintenance et de nettoyage ne doivent pas être effectuées par des enfants sans surveillance.
- Il faut remplacer le câble flexible d'alimentation de cet appareil, s'il est abîmé. Lisez attentivement les instructions pour le remplacer. Si vous avez un doute quelconque, veuillez consulter un service technique.

Ce mode d'emploi permet une installation correcte et la performance optimale de votre pompe de piscine. Lire cette notice avec attention.

Votre nouvelle pompe est une pompe centrifuge à une seule étape, auto amorçante, conçue pour une utilisation avec un système de filtration de piscine. Cette pompe est conçue pour une utilisation avec de l'eau propre à une température entre 5 °C et 35 °C. Cette pompe est fabriquée avec des matériaux de haute qualité sujets à des contrôles hydrauliques et électriques rigoureux. Une installation correcte de cette pompe est assurée en suivant ce mode d'emploi. Nous déclinons toute responsabilité pour les dommages dus au non-respect de ce mode d'emploi.

**IMPORTANT**

Le manuel que vous avez entre les mains contient l'information fondamentale relative aux mesures de sécurité à adopter pour l'installation et la mise en service. Il est pour cela indispensable que l'installateur et l'utilisateur lisent les instructions avant de passer au montage et à la mise en marche.

## NORMES GÉNÉRALES DE SÉCURITÉ

- Les machines citées dans ce manuel sont spécialement conçues pour obtenir le pré-filtrage et le recyclage de l'eau dans les piscines
- Effectuer l'installation selon les indications particulières de chaque implantation  
L'autorisation préalable du fabricant est requise pour effectuer toute modification de la pompe. Les pièces de rechange originales et les accessoires autorisés par le fabricant servent à garantir une plus grande sécurité. Le fabricant de la pompe ne saurait être tenu responsable des dommages occasionnés par des pièces de rechange ou des accessoires non autorisés.
- Au moment d'effectuer le travail sur la machine ou sur les équipements qui y sont reliés, débrancher l'équipement du réseau électrique et des dispositifs de démarrage, vu que pendant le fonctionnement, les parties électriques de la pompe sont sous tension.
- Les travaux de montage et de maintenance doivent être réalisés par des personnes qualifiées et autorisées ayant lu au préalable les instructions d'installation et de service avec attention.
- Suivre tout ce qui est exposé dans les instructions d'installation et de service pour garantir la sécurité lors du fonctionnement de la machine.
- En cas de fonctionnement défectueux ou de panne, contactez votre fournisseur ou un de ses représentants le plus proche.
- Si le câble d'alimentation est endommagé, il doit être remplacé par le fabricant, son service après vente ou des personnes de qualification similaire afin d'éviter un danger.
- L'appareil doit être branché sur une prise de courant avec prise de terre, protégé par un interrupteur différentiel (DDR) avec un courant résiduel assigné qui n'excède pas 30mA.
- Faire particulièrement attention à ce que n'entre pas d'eau dans le moteur et dans les parties électriques en tension et ce d'aucune façon.
- Éviter à tout moment le contact même accidentel des parties mobiles de la machine pendant son fonctionnement et/ou avant son arrêt total.
- Attendre que la machine soit complètement arrêtée pour effectuer n'importe quelle manipulation sur elle.
- Débrancher la machine du réseau d'alimentation et bloquer les dispositifs de mise en marche avant de procéder à toute intervention de maintenance électrique ou mécanique.
- Pour limiter les risques de blessures, ce produit ne doit pas être utilisé par des enfants, sauf avec une surveillance rapprochée.
- Ne pas enterrer le fil électrique. Placer le fil de façon à ce qu'il ne soit pas endommagé par les tondeuses, taille-haies et autres appareils.
- Ne pas démarrer la pompe avant qu'elle ne soit raccordée correctement à votre piscine.
- Pour limiter les risques de choc électrique, remplacer le fil électrique tout de suite s'il est abîmé.

### Installation

Seul un personnel autorisé et qualifié devra installer la pompe et le câblage, en observant les normes en vigueur.

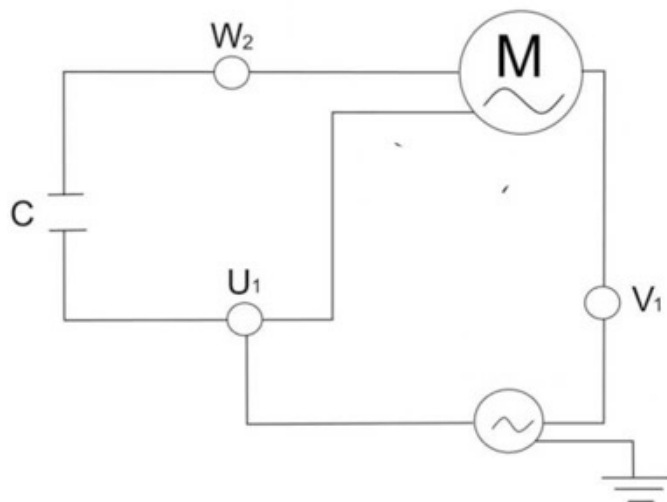
- La pompe doit être installée horizontalement, en la fixant avec les vis sur le support, ceci pour éviter les vibrations et les bruits nuisibles.



- La pompe doit être installée loin de tout produit corrosif ou inflammable.
- La pompe doit avoir un drainage suffisant pour éviter le risque d'inondation et doit être protégée d'un excès d'humidité.
- Prévoir des vannes indépendantes à l'entrée et à la sortie d'eau.
- Prévoir un accès suffisant pour le maintien de la pompe et s'assurer que l'étiquette de données techniques de la pompe reste visible.
- Lors de l'installation de la pompe, positionner pour avoir un espace libre de 1m tout autour.

## INSTALLATION ÉLECTRIQUE

- Mettre le moteur à terre avant de le brancher à une source électrique. Sinon, le moteur pourra provoquer un choc électrique sévère voir mortel. Ne pas le mettre à terre sur un conduit de gaz.
- Pour éviter le risque de choc électrique dangereux ou mortel, déconnecter la source d'électricité du moteur avant de travailler sur les connexions électriques.
- Le déclenchement d'un disjoncteur indiquerait un problème électrique. Si le disjoncteur se déclenche et ne peut pas être remis, demander à un electricien qualifié de vérifier et de réparer le système électrique.
- Raccorder la pompe à une alimentation en courant alternatif et effectuer une mise à terre protégée par un dispositif différentiel à courant résiduel (DDR), avec un courant résiduel nominal de fonctionnement ne dépassant pas les 30 mA.
- Des raccordements au réseau inadaptés entraînent des risques d'électrocution.
- La tension d'alimentation doit correspondre exactement au voltage indiqué sur la plaque du moteur. Une tension incorrecte pourrait provoquer un incendie et/ou endommager le moteur, ce qui annulerait la garantie. En cas de doute, consulter un électricien.
- Le fil électrique est fourni avec une connexion de type "Y". Si le fil électrique est remplacé, le nouveau fil doit également être d'un type approprié. La garantie sera annulée en cas de modification non-autorisée de composants.
- L'installation électrique doit être conforme aux normes en vigueur.
- Si le fil électrique est endommagé, il doit être remplacé par le fabricant, son agent, ou toute autre personne qualifiée pour éviter tout danger.
- La pompe est équipée d'une protection thermique intégrée. Suivre le schéma ci-dessous pour un raccordement électrique correct



- L'installation électrique doit être réalisée par des professionnels qualifiés en installations électriques. Cet appareil n'est pas prévu pour être utilisé par des personnes y compris les enfants dont les capacités physiques, sensorielles ou mentales sont ré-

duites, ou des personnes dénuées d'expérience ou de connaissance, sauf si elles ont pu bénéficier, par l'intermédiaire d'une personne responsable de leur sécurité, d'une surveillance ou d'instructions préalables concernant l'utilisation de l'appareil.

Interdisez aux enfants et aux adultes de s'appuyer ou de s'asseoir sur l'appareil. Les enfants doivent être surveillés afin de s'assurer qu'ils ne jouent pas avec l'appareil.

- Ajuster convenablement la valeur du relais thermique selon l'intensité de la pompe.

- Danger de électrocution en cas de connexion de réseau inadéquate

### **Assemblage de tuyaux**

- Les tuyaux en amont et en aval de la pompe doivent avoir des diamètres égaux ou supérieurs à celui de l'entrée de la pompe.

- Les tuyaux d'aspiration et de décharge ne doivent en aucun cas rester sur la pompe.
- Bien sceller toutes les connexions et le couvercle de la pompe pour éviter les gouttes d'eau sur le moteur, ce qui pourrait l'endommager.

### **Contrôles avant démarrage**

Avant la mise en marche de la pompe, réaliser les opérations suivantes :

- Vérifier que la tension fournie ainsi que la fréquence correspondent à la plaque se trouvant sur la pompe.

- Avant le démarrage initial, remplir la pompe avec de l'eau pour l'auto-amorçage de la pompe.

- Vérifier que la tension et la fréquence du réseau correspondent à celle que stipule la plaque de caractéristiques de la pompe.

- La pompe peut fonctionner en continu.

### **Démarrage**

Démarrer la pompe seulement lorsque les tuyaux d'aspiration et de décharge sont connectés à l'entrée et à la sortie de la pompe. Vérifier qu'il n'y a pas d'obstacles dans les tuyaux.

### **Entretien et nettoyage**

- Votre nouvelle pompe de piscine n'a pas besoin d'entretien spécial ou de programmation. Dans le cas où la pompe n'est pas utilisée pendant un certain temps, il est conseillé de la démonter, de la nettoyer, et de la ranger dans un endroit sec et bien aéré.

- Si le fil électrique est endommagé, il doit être remplacé par le fabricant, son agent, ou tout autre personne qualifiée afin d'éviter tout danger.

- Nettoyer régulièrement votre pompe en enlevant les débris de votre filtre, afin que le tuyau d'entrée ne bloque pas ou n'endommage pas la pompe.

- Les composants de la pompe, dont l'usage habituel fait qu'ils souffrent d'usure et/ou de détérioration, doivent être changés régulièrement pour maintenir un bon rendement de la pompe

- Contrôler régulièrement :

- La correcte fixation des parties mécaniques et l'état des vis de support de la machine.

- La correcte position, la fixation et l'état des conducteurs d'alimentation et des parties

isolantes.

- La température de la machine et du moteur électrique. En cas d'anomalie, arrêter immédiatement la machine et contacter le Service d'Assistance Technique le plus proche.
- Les vibrations de la machine. En cas d'anomalie, arrêter immédiatement la machine et procéder à contacter le Service d'Assistance

Symptômes	Cause	Solution
La pompe ne fonctionne pas.	Pas de courant à la source électrique.	Utiliser un autre appareil qui fonctionne pour vérifier la prise électrique. Vérifier le disjoncteur.
	Disjoncteur sauté.	Vérifier le disjoncteur et le remplacer si nécessaire.
	L'arrêt automatique thermique de la pompe s'est activé pour protéger le moteur.	Couper le courant à la pompe et laisser refroidir le moteur avant de le redémarrer. S'assurer que la pompe et le moteur ont une ventilation suffisante autour. S'assurer que la pompe n'est pas bloquée par des débris et que l'arbre tourne librement. Il est possible que le moteur soit connecté sur une source de basse tension.
	La pompe est bloquée (vérifier si l'arbre peut tourner librement).	Blocage dans la pompe ou le panier. Les roulements sont bloqués.
La pompe fonctionne avec un débit réduit ou sans débit.	Moteur brûle à cause d'un pic de tension ou inondé par de l'eau.	Il est possible que le moteur doive être remplacé.
	Les vannes sont en position fermée.	Vérifier le système pour s'assurer que les vannes sont dans la bonne position pour filtrer, y compris les éventuelles vannes à l'entrée et à la sortie de la pompe.
	Le filtre est rempli de débris.	Nettoyer le filtre (se référer à la documentation fournie avec votre filtre)
	Air dans le système.	Réamorcer la pompe (voir procédure de réamorçage). Vérifier qu'il n'y a pas de fuites d'air dans les tuyaux d'aspiration ou les connexions. S'assurer que le couvercle du panier est bien fermé et étanche. Vérifier qu'il n'y a pas de fuites en-dessous de la pompe.
	Manque d'eau.	S'assurer que le niveau dans la piscine est au moins à mi-hauteur de l'ouverture du skimmer.
	Débris dans la pompe ou le skimmer. (Note: ne pas faire fonctionner la pompe sans le panier de la pompe ou le panier du skimmer montés correctement).	S'assurer que le panier de la pompe et du skimmer ne sont pas remplis de débris.
Fuite entre le corps de la pompe et le moteur	Les écrous du corps ne sont pas bien serrés. Le joint d'étanchéité ou le joint mécanique est usé.	S'assurer qu'il n'y a pas de blocage à l'entrée ou à la sortie de la pompe. S'assurer que l'intérieur de la pompe n'a pas d'objets qui pourraient bloquer le débit d'eau.
Fuite d'eau au couvercle du pré-filtre	Le couvercle n'est pas vissé correctement.	S'assurer que le couvercle comprime le joint torique.



- Die Montage und Installation unserer Pumpen ist nur in Schwimmbädern zulässig, die die Normen IEC/HD 60364-7-702 und die vorgeschriebenen nationalen Regelungen erfüllen. Die Installation hat gemäß der Norm IEC/HD 60364-7-702 und den vorgeschriebenen nationalen Regelungen für Schwimmbäder zu erfolgen. Für weitere Informationen wenden Sie sich bitte an Ihren lokalen Händler.
- Die Pumpe darf nicht in Zone 0 (Z0) oder Zone 1 (Z1) installiert werden. Zeichnungen sehen Sie auf den Seiten 61, 62 und 63.
- Die elektrische Installation muss von Fachleuten für elektrische Installationen durchgeführt werden.
- Lassen Sie den Apparat nicht angeschaltet, wenn Sie das Schwimmbecken benutzen.
- Lassen Sie den Apparat nie laufen, ohne ihn vorher korrekt gefüllt zu haben.
- Berühren Sie NIE den eingeschalteten Apparat, wenn Ihr Körper oder Ihre Hände nass sind.
- Immer, wenn Sie am Pumpe, UNTERBRECHEN Sie die Stromverbindung.
- Vergewissern Sie sich, dass der Boden trocken ist, bevor Sie die elektrische Ausrüstung berühren.
- Setzen Sie den Pumpe nie dort ein, wo er nass werden kann. Das kann zu einem tödlichen Stromschlag führen.
- Dieses Gerät darf nicht von Personen (einschließlich Kindern) mit eingeschränkten körperlichen, sensorischen oder geistigen Fähigkeiten, oder mit Mangel an Erfahrung und Wissen benutzt werden, es sei denn, sie erhalten Beaufsichtigung oder Anleitung hinsichtlich der Benutzung des Geräts durch eine für ihre Sicherheit verantwortliche Person. Kinder müssen beaufsichtigt werden, um sicherzustellen, dass sie nicht mit dem Gerät spielen.
- Dieses Gerät kann von Kindern im Alter von mindestens 8 Jahren und Personen mit eingeschränkten körperlichen, sensorischen oder geistigen Fähigkeiten oder Mangel an Erfahrung und Wissen benutzt werden, wenn sie dabei beaufsichtigt werden oder eine Anleitung hinsichtlich der sicheren Benutzung des Geräts erhalten und die damit verbundenen Gefahren verstanden haben. Kinder dürfen nicht mit dem Gerät spielen. Reinigung und Benutzerwartung darf nicht von Kindern ohne Aufsicht ausgeführt werden.
- Wenn das flexible Kabel für den Stromanschluss beschädigt ist, muss es ausgetauscht werden. Lesen Sie aufmerksam die Anweisungen für den Austausch. Im Zweifelsfall ist der Kundendienst zu befragen.

Diese Gebrauchsanweisung ermöglicht es Ihnen die Schwimmbadpumpe korrekt zu installieren und korrekt zu nutzen. Lesen Sie diese Gebrauchsanweisung aufmerksam durch.

Ihre neue Pumpe ist eine Zentrifugalpumpe mit nur einer Phase, die zusammen mit einem Schwimmbadfiltersystem benutzt wird. Die Pumpe ist für den Gebrauch in sauberem und klarem Wasser bei einer Temperatur zwischen 5° und 35° C gedacht. Die Pumpe wurde aus qualitativ hochstehenden Materialien gefertigt, die hydraulische und elektrische Tests bestanden haben. Wenn Sie der vorliegenden Anweisung folgen, ist die korrekte Installation sichergestellt. Wir haften nicht für Schäden, die aus unsachgemäßem Gebrauch gemäß der hier vorliegenden Anweisung entstehen.

## WICHTIG

Dieses Handbuch enthält wesentliche Informationen über die Sicherheitsvorkehrungen, die bei der Installation und Inbetriebnahme zu treffen sind. Daher ist es unbedingt erforderlich, dass sowohl der Installateur als auch der Benutzer vor Beginn der Montage und Inbetriebnahme diese Anweisungen lesen.

## ALLGEMEINE SICHERHEITSBESTIMMUNGEN

- Die in diesem Handbuch behandelten Maschinen sind speziell für die Vorfiltrierung und die Umwälzung des Wassers in Schwimmbecken ausgelegt.
- Installation gemäß den besonderen Bedingungen jedes Einsatzortes realisieren.
- Vor jeder Änderung an der Pumpe muss die Genehmigung des Herstellers eingeholt werden. Die Original-Ersatzteile und das vom Hersteller zugelassene Zubehör gewährleisten einen hohen Sicherheitsgrad. Der Hersteller der Pumpe lehnt jede Haftung für Schäden aufgrund des Einsatzes von nicht zugelassenen Ersatz- oder Zubehörteilen ab.
- Bei Arbeiten an der Maschine oder daran angeschlossenen Baugruppen müssen sie vorher vom Netz und den Inbetriebnahmevorrichtungen getrennt werden, da während des Betriebs die elektrischen Teile der Pumpe unter Spannung stehen.
- Montage- und Wartungsarbeiten müssen von zugelassenen Fachkräften ausgeführt werden, die vorher die
- Installations- und Betriebsanleitungen aufmerksam gelesen haben. Installations- und Betriebsanweisungen einhalten, um die Betriebssicherheit der Maschine zu gewährleisten.
- Bei Betriebsstörungen oder Defekten wenden Sie sich an den Lieferanten oder die nächstgelegene Vertretung.
- Wenn das Netzkabel beschädigt ist, muss der Austausch vom Hersteller, dessen Kundendienst oder durch qualifiziertes Personal durchgeführt werden, um eine Gefährdung zu vermeiden.
- Das Gerät muss an eine geerdete Steckdose angeschlossen werden, die durch einen Differenzschalter (DDR) mit einem Reststrom von maximal 30 mA geschützt ist.
- Insbesondere darauf achten, dass unter keinen Umständen Wasser in den Motor und die spannungsführenden Teile eindringen kann.
- Unter keinen Umständen - auch nicht unbeabsichtigt - die beweglichen Teile der Maschine während des Betriebs bzw. vor ihrem völligen Stillstand berühren.
- Vor Arbeiten an der Maschine abwarten, bis sie vollkommen zum Stillstand gekommen ist.
- Vor elektrischen oder mechanischen Wartungsarbeiten Maschine vom Netz trennen und Einschaltvorrichtungen blockieren
- **VORSICHTSMASSNAHMEN:** Stromkabel nicht vergraben. Kabel so verlegen, dass es von Maschinen wie Rasenmähern und Ähnlichem nicht beschädigt werden kann.
- Pumpe nicht anschalten, bevor sie korrekt am Schwimmbad angebracht wurde.
- Um Elektroschocks vorzubeugen, tauschen Sie das Stromkabel sofort aus, wenn es beschädigt ist.
- Um Elektroschocks vorzubeugen, verwenden Sie keine Verlängerungskabel, um die Pumpe an das Stromnetz anzuschließen. Schließen Sie die Pumpe an eine korrekt installierte Steckdose an.

## Installation

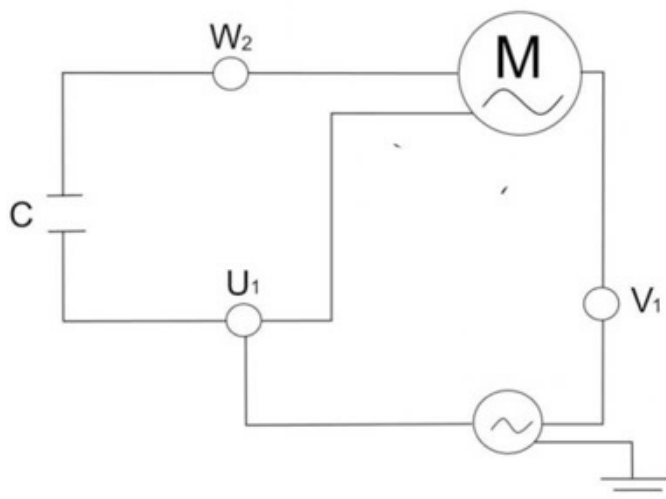


Nur dazu autorisiertes und qualifiziertes Personal sollte die Pumpe und die Kabel gemäß den geltenden Normen installieren.

- Die Pumpe muss horizontal angebracht werden, wobei sie mit Schrauben an der Halterung festgemacht wird, um Vibrationen und Lärm zu vermeiden.
- Die Pumpe darf nicht in der Nähe von korrosiven oder entflammenden Materialien angebracht werden.
- Die Pumpe muss genügend Drainage aufweisen, um Überflutungen zu vermeiden. Sie sollte vor Feuchtigkeit geschützt werden.
- Bitte bedenken Sie, dass zusätzliche Ventile zu jenen für den Wasserein- und ausfluss nötig sind.
- Bitte stellen Sie sicher, dass Sie für Wartungsarbeiten an der Pumpe gut zukommen und dass die Etikette mit den technischen Daten gut sichtbar angebracht ist.
- Während der Installation brauchen Sie ungefähr 1 Meter Platz rund um die Pumpe.

## ELEKTROINSTALLATION

- Motor auf den Boden stellen, ehe Sie ihn an das Stromnetz anschließen. Sonst könnte der Motor Elektroschocks, die auch tödlich sein können, hervorrufen. Nicht auf eine Gasleitung stellen.
- Um Elektroschocks vorzubeugen, nehmen Sie die Pumpe vom Strom, ehe Sie Arbeiten am Elektroanschluss durchführen.
- Wenn die Sicherung durchbrennt, liegt ein Elektroproblem vor. Wenn die Sicherung durchbrennt und Sie sie nicht mehr anschalten können, müssen Sie einen qualifizierten Elektriker beiziehen, um das Stromsystem zu reparieren.
- Die Pumpe wird an einen Wechselstromversorgung und eine Erdung angeschlossen. Diese muss durch eine Fehlerstrom-Schutzeinrichtung (RCD) geschützt sein, mit einem Bemessungsfehlerstrom von max. 30 mA.
- Ungeeignete Netzanschlüsse bergen die Gefahr eines Stromschlags.
- Die Spannung muss genau der auf dem Motor angegebenen entsprechen. Eine inkorrekte Spannung kann einen Brand auslösen oder den Motor beschädigen, wobei die Garantie annulliert wird. Bei Fragen, wenden Sie sich an einen Elektriker.
- Das Stromkabel wird mitgeliefert und weist einen Y-Anschluss auf. Wenn Sie das Stromkabel austauschen, achten Sie darauf, dass es sich um ein geeignetes handelt. Die Garantie wird im Falle von unerlaubten Änderungen annulliert.
- Der Stromanschluss muss den geltenden Richtlinien entsprechen.
- Wenn das Stromkabel beschädigt ist, müssen Sie es durch den Fabrikanten, einen Vertreter oder eine andere qualifizierte Fachperson ersetzen lassen, um Gefahren zu vermeiden.
- Die Pumpe weist einen thermischen Schutz auf. Folgen Sie den Schritten in folgendem Schema, um die Pumpe korrekt ans Stromnetz anzuschließen.



- Dieses Gerät ist nicht gedacht für die Verwendung durch Kinder, durch Menschen mit eingeschränkten körperlichen, sensorischen oder geistigen Fähigkeiten oder Personen, denen die Erfahrung oder Kenntnisse fehlen, es sei denn, eine Person, die für deren Sicherheit verantwortlich ist, übernimmt deren Überwachung und gibt ihnen vorab Anweisungen, wie das Gerät zu betreiben ist.
- Den Thermorelaiswert
- Bei falschem Netzanschluss besteht Stromschlagrisiko.

## **Schlauchanschluss.**

Vor der Inbetriebnahme der Pumpe die folgenden Abläufe ausführen:

- Die Schläuche müssen vor und nach der Pumpe angebracht werden, wobei sie den gleichen oder einen größeren Durchmesser haben müssen, als jene beim Pumpeneingang.
- Die An- und Absaugschläuche dürfen auf keinen Fall in der Pumpe bleiben.
- Alle Anschlüsse und Deckel der Pumpe gut verschließen, um Lecke zu vermeiden, die den Motor beschädigen könnten.

## **Kontrollen vor Gebrauch**

- Überprüfen Sie, ob die Spannung und Frequenz den Hinweisen auf der Pumpe entsprechen.
- Füllen Sie die Pumpe vor Gebrauch mit Wasser, um den Selbstansaugeffekt auszulösen.
- Prüfen, dass die Spannung und Frequenz des Netzes dem Typenschild der Pumpe entsprechen.
- Die Pumpe kann andauernd laufen.

## **Inbetriebsetzung der Pumpe**

Pumpe nur anschalten, wenn der An- und Absaugschlauch korrekt am Eingang und Ausgang der Pumpe angebracht sind. Überprüfen Sie, dass die Schläuche nicht verstopft sind.

Wartung und Reinigung

- Ihre neue Pumpe benötigt keine spezifische Wartung und Reinigung. Falls die Pumpe längere Zeit nicht benutzt wird, sollten Sie sie abbauen und an einem trockenen und gut gelüfteten Ort aufbewahren.
- Wenn das Stromkabel beschädigt ist, müssen Sie es durch den Fabrikanten oder einen Vertreter oder eine andere qualifizierte Fachperson ersetzen lassen, um Gefahren zu vermeiden.
- Reinigen Sie Ihre Pumpe regelmäßig, damit der Ansaugschlauch nicht verstopft und die Pumpe beschädigt wird.
- Die Bauteile der Pumpe mit normalem Verschleiß bzw. Abnutzung müssen regelmäßig ersetzt werden, damit die Leistungsfähigkeit der Pumpe nicht beeinträchtigt wird
- Regelmäßig kontrollieren:
  - die korrekte Befestigung der mechanischen Teile und den Zustand der Befestigungsschrauben der Maschine.
  - die korrekte Position, Befestigung und den Zustand der Netzkabel und Isolierungen.
  - die Temperatur der Maschine und des Elektromotors. Bei Störungen die Maschine sofort ausschalten und wenden Sie sich bitte an die nächste Kundendienst.

- Vibrationen an der Maschine. Bei Störungen die Maschine sofort ausschalten und wenden Sie sich bitte an die nächste Kundendienst.

Problem	Grund	Lösung
Die Pumpe funktioniert nicht.	Kein Strom	Benutzen Sie ein anderes Gerät und überprüfen Sie so die Steckdose. Überprüfen Sie die Sicherungen.
	Die Sicherung ist durchgebrannt.	Überprüfen Sie die Sicherung und ersetzen Sie sie falls nötig.
	Die Überhitzungsautomatik der Pumpe hat sie zum Schutz ausgeschaltet.	Pumpe vom Strom nehmen und den Motor abkühlen lassen, ehe Sie die Pumpe erneut in Betrieb setzen. Stellen Sie sicher, dass die Pumpe und der Motor genügend belüftet werden. Stellen Sie sicher, dass die Pumpe nicht verschmutzt ist und der Motor frei dreht.
	Der Motor ist aufgrund von Überspannung oder Wasser verbrannt.	Eventuell müssen Sie den Motor ersetzen.
Die Pumpe funktioniert mit einer verringerten Ausstoßmenge oder ohne Ausstoß.	Die Pumpe ist verstopft (stellen Sie sicher, dass der Motor frei dreht)	Pumpe oder Korb verstopft.
	Ventile sind geschlossen.	Überprüfen Sie das System und stellen Sie sicher, dass die Ventile offen sind, darunter insbesondere die Pumpeingangs- und -ausgangsventile.
	Der Filter ist verschmutzt.	Filter reinigen
	Luft im System.	Pumpe anstellen (s. Inbetriebnahme). Überprüfen Sie, ob es Luftlecke im Ansaugrohr oder an den Anschlüssen gibt. Stellen Sie sicher, dass der Korbdeckel gut geschlossen und dicht ist. Überprüfen Sie die Pumpe auf Lecks unten.
	Wassermangel	Stellen Sie sicher, dass der Wasserpegel des Schwimmbades mindestens bis zur Hälfte des Skimmers kommt.
	Pumpe oder Skimmer verstopft. (Hinweis: Pumpe nicht in Betrieb setzen, wenn Korb oder Skimmer nicht richtig angebracht sind.)	Stellen Sie sicher, dass die Pumpe und der Skimmer nicht verschmutzt sind. Stellen Sie sicher, dass der Eingang und Ausgang der Pumpe nicht verstopft ist oder die Pumpe nicht blockiert wird.
Leck zwischen Pumpgehäuse und Motor	Die Schrauben des Gehäuses sind nicht gut angeschraubt. Die Dichtungen sind abgenutzt. Stellen Sie sicher, dass die Pumpe und der Skimmer nicht verschmutzt sind. Stellen Sie sicher, dass der Eingang und Ausgang der Pumpe nicht verstopft ist oder die Pumpe nicht blockiert wird.	
Vorfilterdeckel	Der Deckel ist nicht richtig verschlossen. Stellen Sie sicher, dass der Deckel den O-Ring gut festdrückt.	

### INDICAZIONI DI SICUREZZA, LEGGERE ATTENTAMENTE



- È possibile assemblare e installare le nostre pompe esclusivamente in piscine conformi agli standard IEC/HD 60364-7-702 e alle normative nazionali applicabili. L'installazione deve essere effettuata ai sensi dello standard IEC/HD 60364-7-702 e delle normative nazionali applicabili per le piscine. Per ulteriori informazioni, rivolgersi al proprio rivenditore di zona.
- La pompa non può essere installata nella Zona 0 (Z0) o nella Zona 1 (Z1). Per consultare gli schemi, andare alla pagina 61, 62 e 63.
- L'installazione elettrica deve essere realizzata da personale professionale qualificato per installazioni elettriche.
- Non mantenere l'apparecchio in marcia mentre si utilizza la piscina.
- Non far funzionare l'apparecchio se questo non è stato allacciato in forma corretta.
- Non toccare MAI l'apparecchio in marcia con il corpo umido o con le mani umide.
- Ogni volta che si debba manipolare l'apparecchio, si renderà necessario DISINSERIRLO dalla presa di corrente.
- Si assicuri che il suolo sia asciutto prima di toccare l'apparecchio elettrico.
- Non collochi l'apparecchio dove possa bagnarsi, giacché potrebbe causare scosse elettriche.
- Il dispositivo non è destinato all'uso da parte di persone (bambini inclusi) con limitate capacità fisiche, sensoriali o mentali, o che non dispongano dell'esperienza e delle conoscenze necessarie, tranne qualora siano state istruite in merito all'uso del dispositivo o siano sotto la supervisione di una persona responsabile della loro sicurezza. È necessaria sempre la presenza di un adulto per evitare che i bambini giochino con il dispositivo.
- Il dispositivo può essere utilizzato dai bambini di almeno 8 anni di età e da persone con limitate capacità fisiche, sensoriali o mentali o che non dispongano dell'esperienza e delle conoscenze necessarie, qualora siano state istruite in merito all'uso sicuro del dispositivo e siano consapevoli dei rischi che comporta, o qualora sia stato assegnato loro un supervisore. I bambini non devono giocare con il dispositivo. La pulizia e la manutenzione non dovranno essere effettuate da bambini senza supervisione.
- Se il cavo flessibile dell'alimentazione di questo apparecchio è danneggiato, si dovrà procedere alla sua sostituzione. Legga attentamente le istruzioni per la sostituzione. In caso di dubbi, si rivolga al servizio tecnico.

Quest'istruzioni per l'uso permettono un impianto corretto e la prestazione ottimale della vostra pompa di piscina. Leggere questa nota attentamente. La vostra nuova pompa è una pompa centrifuga ad una sola tappa, macchina innescando, concepita per un utilizzo con un sistema di filtrazione di piscina. Questa pompa è concepita per un utilizzo con l'acqua propria di una temperatura tra 5°C e 35°C. Questa pompa è fabbricata con materiali di alta qualità argomenti a controlli idraulici ed elettrici rigorosi. Un impianto corretto di questa pompa è garantito seguendo questi istruzioni per l'uso. Decliniamo qualsiasi responsabilità per i danni dovuti all'inosservanza di quest'istruzioni per l'uso.

### IMPORTANTE

Il presente manuale contiene informazioni fondamentali sulle misure di sicurezza da adottare durante l'installazione e la messa in servizio. È pertanto imprescindibile che l'installatore e l'utente leggano le istruzioni prima di procedere al montaggio e all'avviamento.

## NORME GENERALI DI SICUREZZA

- Le macchine indicate in questo manuale sono appositamente progettate per la filtrazione preliminare e il ricircolo dell'acqua nelle piscine.
- L'installazione va effettuata secondo le indicazioni specifiche di ogni impianto.
- Per qualsiasi modifica della pompa è necessaria l'autorizzazione previa del fabbricante. Lo scopo dei ricambi originali e degli accessori autorizzati dal fabbricante è quello di garantire una maggiore sicurezza. Il fabbricante della pompa declina ogni responsabilità per danni causati da ricambi o accessori non autorizzati.
- Prima di effettuare il lavoro su una macchina o sui dispositivi ad essa collegati, è necessario scollegare l'apparecchiatura dalla rete elettrica e dai dispositivi di avvio, dato che durante il funzionamento le parti elettriche della pompa sono sotto tensione.
- I lavori di montaggio e mantenimento devono essere effettuati da personale qualificato e autorizzato, dopo aver letto attentamente le istruzioni di installazione e di manutenzione.
- Rispettare quanto illustrato nelle istruzioni di installazione e manutenzione al fine di garantire la sicurezza nel funzionamento della macchina.
- In caso di funzionamento difettoso o di guasto, rivolgersi al fornitore o al suo rappresentante più vicino.
- Qualora il cavo di alimentazione risultasse danneggiato, deve essere sostituito dal produttore, dal servizio post-vendita o da personale qualificato, onde evitare rischi.
- Il dispositivo deve essere connesso a una presa di corrente con messa a terra, protetta da un interruttore differenziale (DDR) con una corrente residua che non superi i 30 mA.
- Fare attenzione a che l'acqua non penetri nel motore e nelle parti elettriche in tensione
- Durante il funzionamento e/o prima dell'arresto completo della macchina, evitare in ogni momento il contatto, anche accidentale, con le parti mobili della macchina.
- Per lo svolgimento di qualsiasi intervento sulla macchina, attenderne il completo arresto.
- Scollegare la macchina dalla rete elettrica e bloccare i dispositivi di avvio prima di procedere a qualunque intervento di manutenzione elettrica o meccanica.
- Per limitare i rischi di ferite, questo prodotto non deve essere utilizzato da bambini, eccetto con una sorveglianza avvicinata.
- Non seppellire il filo elettrico. Mettere il filo in modo che non sia danneggiato dalle tosatrici, dimensione-barriera ed altri apparecchi.
- Non iniziare la pompa prima che sia collegata correttamente alla vostra piscina.
- Per limitare i rischi di scossa elettrica, sostituire il filo elettrico immediatamente se è danneggiato.

### Impianto

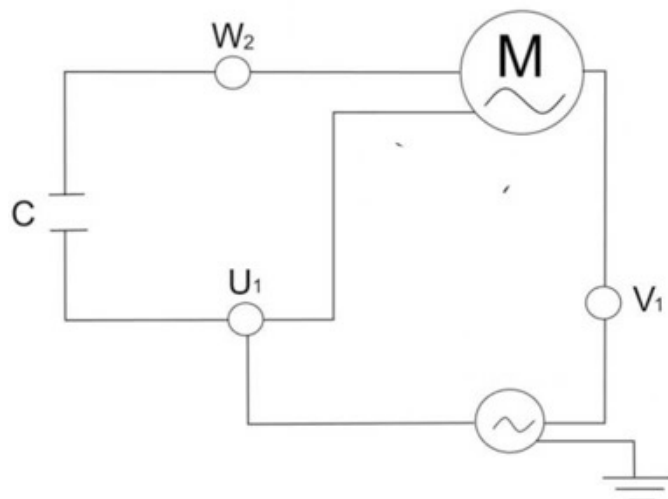
- Solo un personale autorizzato e qualificato dovrà installare la pompa ed il cablaggio, osservando le norme in vigore.
- La pompa deve essere installata orizzontalmente, fissandola con le viti sul supporto, questo per evitare le vibrazioni ed i rumori nocivi.
- La pompa deve essere installata lontano da ogni prodotto corrosivo o infiammabile.
- La pompa deve avere uno scarico sufficiente per evitare il rischio d'inondazione e deve essere protetta di un eccesso d'umidità.
- Prevedere valvole indipendenti all'entrata ed all'uscita d'acqua.
- Prevedere un accesso sufficiente per il mantenimento della pompa ed assicurarsi che l'etichetta di dati tecnici della pompa resti visibile.

- In occasione dell'impianto della pompa, piazzare per avere uno spazio libero di 1m molto intorno.

## INSTALLAZIONE ELETTRICA

- Mettere il motore a terra prima di collegarlo ad una fonte elettrica. Altrimenti, il motore potrà causare una scossa elettrica rigorosa vedere mortale. Non metterlo a terra su un condotto di gas.
- Per evitare il rischio di scossa elettrica pericolosa o mortale, staccare la fonte d'elettricità d u motore prima di lavorare sui collegamenti elettrici.
- L'emissione di un interruttore indicherebbe un problema elettrico. Se l'interruttore si inizia e non può essere rimesso, chiedere ad un elettricista qualificato di verificare e riparare il sistema elettrico.
- Collegare la pompa a un'alimentazione a corrente alternata e a una connessione a massa protetta da un interruttore differenziale, con corrente di funzionamento nominale residua non superiore ai 30 mA.
- Collegamenti di rete inadeguati comportano il rischio di folgorazione.
- La tensione d'alimentazione deve corrispondere esattamente alla tensione indicata sulla targa del motore.
- Una tensione sbagliata potrebbe causare un incendio e/o danneggiare il motore, cosa che annullerebbe la garanzia. In caso di dubbio, consultare un elettricista.
- Il filo elettrico è fornito con un collegamento di tipo "Y". Se il filo elettrico è sostituito, il nuovo filo deve anche essere di un tipo adeguato. La garanzia sarà annullata in caso di modifica non autorizzata di componenti.
- L'impianto elettrico deve essere conforme alle norme in vigore.
- Se il filo elettrico è danneggiato, deve essere sostituito da fabbricante, il suo agente, o qualsiasi altra persona qualificata per evitare ogni pericolo.
- La pompa è fornita d'una protezione termica integrata. Seguire lo schema qui di seguito per un collegamento elettrico corretto.

- L'installazione elettrica deve essere eseguita da personale professionale qualificato in installazioni elettriche. Questo dispositivo non è progettato per essere utilizzato da bambini, da persone con disabilità fisiche, sensoriali o psichiche o da persone prive di esperienza o di competenza, fatta eccezione nel caso in cui una persona responsabile vigili su di loro e fornisca le istruzioni necessarie per maneggiare il dispositivo. Non permetta né ai bambini né agli adulti di appoggiarsi o di sedersi sull'attrezzatura. I bambini devono essere controllati per assicurarsi che non giochino con l'attrezzatura.
- Regolare adeguatamente il valore del relè termico in base alla potenza della pompa.
- Pericolo di folgorazione in caso di collegamento a una rete non idonea.





## Assemblaggio di condotti

- I condotti a monte ed a valle della pompa devono avere diametri uguali o superiori a quello dell'entrata della pompa.
- I condotti d'aspirazione e di scarico non devono mai restare sulla pompa.
- Bene sigillare tutti i collegamenti ed il coperchio della pompa per evitare le gocce d'acqua sul motore, cosa che potrebbe danneggiarla.

## Controlli prima dell'avviamento

Prima di avviare la pompa, svolgere le seguenti operazioni:

- Verificare se la tensione fornita come la frequenza corrisponde alla targa che si trova sulla pompa.
- Prima dell'avviamento iniziale, riempire la pompa con l'acqua per il auto- amorçage della pompa.
- Verificare che la tensione e la frequenza della rete corrispondano a quelle riportate nella targhetta delle caratteristiche della pompa.
- La pompa può funzionare di continuo.

## Avviamento

Iniziare la pompa soltanto quando i condotti d'aspirazione e di scarico sono collegati all'entrata ed all'uscita della pompa. Verificare se non ci sono ostacoli nei condotti.

## Mantenimento e pulizia

- La vostra nuova pompa di piscina non ha bisogno d'intervista speciale o di programmazione. Nel caso o la pompa non è utilizzato durante un certo tempo, è consigliato di smontarla, di pulirla, e di sistemarla in un posto secco.
- Se il filo elettrico è danneggiato, deve essere sostituito da fabbricante, il suo agente, o qualsiasi altra persona qualificata per evitare ogni pericolo.
- Pulire regolarmente la vostra pompa togliendo gli avanzi del vostro filtro, affinché il condotto d'entrata non blocchi o non danneggi la pompa.
- Per mantenere il buon rendimento della pompa, sostituirne periodicamente i componenti che, per l'uso normale, sono soggetti a usura e/o deterioramento.
- Controllare periodicamente:
  - La sede corretta delle parti meccaniche e lo stato delle viti di sostegno della macchina.
  - La corretta posizione, la sede e lo stato dei conduttori di alimentazione e delle parti isolanti.
  - La temperatura della macchina e del motore elettrico. In caso di anomalia, arrestare immediatamente la macchina e rivolgersi al Servizio di Assistenza Tecnica più vicino.
  - Le vibrazioni della macchina. In caso di anomalia, arrestare immediatamente la macchina e rivolgersi al Servizio di Assistenza Tecnica più vicino.

Sintomi	Causa	Soluzione
La pompa non funziona.	Non una corrente alla fonte elettrica.	Utilizzare un altro apparecchio che funziona per verificare la presa elettrica. Verificare l'interruttore
	Interruttore saltato	Verificare l'interruttore e sostituirlo se necessario
	L'arresto automatico termico della pompa si è attivato per proteggere il motore	Tagliare la corrente alla pompa e lasciare raffreddare il motore prima di Ricominciare. Assicurarsi che la pompa ed il motore abbiano una ventilazione sufficiente intorno. Assicurarsi che la pompa non sia bloccata da avanzi e che l'albero gira liberamente
	Motore bruciato a causa di un picco di tensione o inondato dall'acqua	È possibile che il motore debba essere sostituito
La pompa funziona con un flusso ridotto o senza flusso	La pompa è bloccata (verificare se il motore può girare liberamente)	Blocco nella pompa o il canestro. I rotolamenti sono bloccati.
	Le valvole sono in posizione chiusa	Verificare il sistema per assicurarsi che le valvole siano nella buona posizione per filtrare, comprese le eventuali valvole all'entrata ed all'uscita della pompa.
	Il filtro è riempito di avanzi.	Pulire il filtro (riferirsi alla documentazione fornita con il vostro filtro).
	Aire nel sistema..	Ricominciare la pompa (vedere procedura di Ricominciare). Verificare se non ci sono fughe 'aria nei condotti d'aspirazione do i collegamenti. Assicurarsi che il coperchio del canestro sia bene chiuso e stagno. Verificare se non ci sono fughe sotto la pompa.
	Mancanza d'acqua.	Assicurarsi che il livello sia almeno a metà-altezza dell'apertura del skimmer.
	Avanzi nella pompa o il skimmer. (Nota: non fare funzionare la pompa senza il canestro della pompa o il canestro del skimmer montati correttamente)	Assicurarsi che il canestro della pompa e del skimmer non sia riempito avanzi. Assicurarsi che non ci siano blocchi all'entrata o all'uscita della pompa. Assicurarsi che l'interno della pompa non abbia oggetti che potrebbero bloccare il flusso d'acqua.
Fuga tra il corpo della pompa ed il motore	Le noci del corpo non sono strette. Il giunto di tenuta o il giunto meccanico è consumato.	chiudere la pompa e staccare le noci del corpo. Verificare l'allineamento e lo stato dei giunti di tenuta prima di stringere le noci.
Fuga d' acqua al coperchio del prefiltro	Il coperchio n' non è avvitato correttamente.	Garantire che il coperchio comprime il giunto



- Onze pompen kunnen uitsluitend worden gemonteerd en geïnstalleerd in zwembaden die voldoen aan de normen IEC/HD 60364-7-702 en de vereiste nationale regels. De installatie moet voldoen aan de norm IEC/HD 60364-7-702 en de vereiste nationale regels voor zwembaden. Raadpleeg uw plaatselijke dealer voor meer informatie.
- De pomp kan niet worden geïnstalleerd in Zone 0 (Z0) of Zone 1 (Z1). Voor de tekeningen raadpleeg pagina 's 61, 62 en 63.
- De elektrische installatie moet aangelegd worden door vakmensen, gespecialiseerd in elektrische installaties.
- Het apparaat mag niet in werking zijn wanneer het zwembad in gebruik is.
- Het apparaat niet laten werken als het niet op correcte wijze aan de gang gebracht is.
- NOOIT met een nat lichaam of natte handen het werkende filter aanraken.
- Alvorens enig elektrisch toestel aan te raken eerst controleren of de grond droog is.
- Het apparaat nooit plaatsen waar het nat kan worden, dit kan electrocutie veroorzaken.
- Dit product is niet bedoeld voor gebruik door personen (inclusief kinderen) met verminderde lichamelijke, zintuiglijke of geestelijke vermogens, of met een gebrek aan kennis en ervaring, tenzij dit onder toezicht van en aan de hand van instructies gebeurt door een persoon die verantwoordelijk is voor hun veiligheid. Op kinderen moet toezicht worden gehouden om er zeker van te zijn dat ze niet spelen met het product.
- Dit product mag worden gebruikt door kinderen vanaf 8 jaar oud en door personen met verminderde lichamelijke, zintuiglijke of geestelijke vermogens, of met een gebrek aan kennis en ervaring, op voorwaarde dat zij onder toezicht staan of instructies hebben ontvangen met betrekking tot een veilig gebruik van het product en de eventuele gevaren van het product begrijpen. Kinderen mogen niet spelen met het product. Kinderen mogen geen reinigings- en onderhoudswerkzaamheden verrichten zonder toezicht.
- Als het buigbare snoer van dit apparaat beschadigd is, moet het vervangen worden. Lees hiertoe aandachtig de instructies ter vervanging van het snoer. Bij eventuele twijfel de technische dienst raadplegen.

Deze gebruiksaanwijzing laat toe om een correcte installatie van de zwembadpomp uit te voeren en een optimaal resultaat te bekomen. Lees aandachtig deze gebruiksaanwijzing.

Uw nieuwe pomp is een zelfaanzuigende ééntraps-centrifugaalpomp die is ontworpen om te worden gebruikt met een filtersysteem voor het zwembad. De pomp is geschikt voor zuiver water met een temperatuur die ligt tussen de 5°C en 35 °C en vervaardigd uit hoge kwaliteitsmaterialen die onderhevig zijn aan strenge elektrische en hydraulische controles. Een juiste installatie wordt verzekerd indien men de aanwijzingen in deze handleiding volgt. We kunnen niet verantwoordelijk worden gesteld voor de opgelopen schade indien men de pomp voor andere doeleinden gebruikt dan die beschreven in deze gebruiksaanwijzing.

## **BELANGRIJK**

Deze handleiding omvat belangrijke informatie omtrent de in acht te nemen veiligheidsmaatregelen voor de installatie en de inwerkingstelling. Het is dan ook noodzakelijk dat de installateur en de gebruiker de instructies lezen alvorens over te gaan tot de montage en de inwerkingstelling.

## ALGEMENE VEILIGHEIDSNORMEN

- De machines waarnaar wordt verwezen in deze handleiding zijn speciaal ontworpen voor het voorfiltreren en het recycleren van water in zwembaden.
- Volg bij elke installatie de specifieke aanbevelingen op.
- De voorafgaande toestemming van de fabrikant is vereist voor eender welke wijziging aan de pomp. De originele wisselstukken en de toebehoren erkend door de fabrikant staan garant voor een betere veiligheid. De pompfabrikant kan niet aansprakelijk worden gesteld voor schade veroorzaakt door niet erkende wisselstukken of toebehoren.
- Verbreek bij werkzaamheden aan de machine of eraan verbonden apparatuur de verbinding met het lichtnet en het startmechanisme want tijdens de inwerkingstelling staan de elektrische onderdelen van de pomp onder spanning.
- De montage en het onderhoud moeten worden uitgevoerd door bekwaam en bevoegd personeel dat voorafgaandelijk de instructies voor de installatie en het onderhoud aandachtig heeft gelezen.
- Volg de instructies betreffende de installatie en het onderhoud nauwkeurig op om de veiligheid te verzekeren tijdens de werking van de machine.
- Neem bij defecten of storingen contact op met uw leverancier of een van zijn vertegenwoordigers bij u in de buurt.
- Indien de voedingskabel is beschadigd, moet de vervanging ervan worden uitgevoerd door de fabrikant, diens klantenservice of gekwalificeerd personeel, met als doel risico's te vermijden.
- Het apparaat moet worden aangesloten op een geaard stopcontact, beschermd met een aardlekschakelaar (ALS) met een reststroom van niet meer dan 30 mA.
- Let er vooral op dat er in geen geval water binnensijpelt in de motor en de elektrische onderdelen die onder spanning staan.
- Vermijd te allen tijde het zelfs toevallige contact met de mobiele onderdelen van de machine wanneer deze in werking is en/of vóór deze volledig is uitgeschakeld.
- Wacht tot de machine volledig is uitgeschakeld om eender welke handeling aan de machine uit te voeren.
- Verbreek de verbinding met het lichtnet en blokkeer het startmechanisme alvorens te werken aan het elektrisch of mechanisch onderhoud.

### Belangrijke veiligheidsopmerking

- Om het risico op verwondingen te beperken mag dit produkt niet door kinderen worden gebruikt.
- Het elektrische snoer niet begraven. Plaats het snoer zodanig dat het niet kan worden beschadigd door de grasmaaier, enz.
- De pomp niet starten voordat die juist op het zwembad is aangesloten.
- Om het risico op elektrische schokken te vermijden moet men een beschadigd snoer onmiddellijk vervangen.

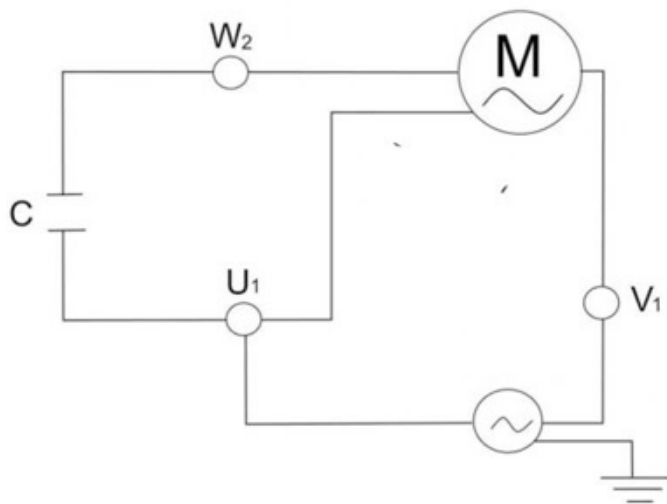
### Installatie

- Enkel bevoegd en geschoold personeel mag de pomp en de bedrading installeren volgens de geldende normen.
- De pomp moet horizontaal worden geïnstalleerd en bevestigd op de steun met behulp van schroeven om storende vibraties en geluiden te vermijden.
- De pomp moet worden geïnstalleerd op een plaats die uit de buurt is van eenderwelk bijtend of ontvlambaar produkt.
- De pomp moet voldoende drainage hebben om risico's op overstroming te vermijden en moet worden beschermd tegen een te hoge vochtigheid.

- Men moet onafhankelijke kleppen voorzien aan de aan- en afvoer van water.
- Men moet voldoende plaats laten voor het onderhoud van de pomp en er zeker van zijn dat het kenplaatje van de pomp zichtbaar is.
- Tijdens de installatie van de pomp moet men die zodanig plaatsen dat er rondom een vrije ruimte van 1 meter aanwezig is.

## ELEKTRISCHE INSTALLATIE

- Plaats de motor op de grond alvorens die op het net aan te sluiten. Indien men dit niet doet kan de motor een zware elektrische schok veroorzaken die zelfs dodelijk kan zijn. Men mag de pomp niet op een gasleiding die op de grond ligt plaatsen.
- Om een gevaarlijke of dodelijke schok te vermijden, moet men de elektrische voeding van de motor loskoppelen alvorens men aan de elektrische aansluitingen begint te werken.
- Indien de stroomonderbreker afspringt, dan duidt dit op een elektrisch probleem. Indien de stroomonderbreker afspringt en men kan niet meer opnieuw opstarten, dan moet men een geschoolde elektricien vragen om het elektrische systeem na te kijken en te repareren.
- Sluit de pomp aan op een voedingsbron met wisselstroom en een aarding beschermd met een aardlekschakelaar, met een maximale differentiaalstroom van 30 mA.
- Ongeschikte netaansluitingen brengen het risico van elektrocutie met zich mee.
- De voedingsspanning moet exact overeenkomen met de aangegeven spanning op het motorplaatje. Een onjuiste spanning kan brand veroorzaken en/of de motor beschadigen en zal de waarborg annuleren. In geval van twijfel moet men een elektricien raadplegen.
- Het elektrische snoer wordt meegeleverd en is voorzien van een Y-verbinding. Indien het elektrische snoer wordt vervangen, dan moet de nieuwe kabel ook van het gepaste type zijn. De waarborg wordt geannuleerd in geval van niet toegelaten veranderingen van de onderdelen.
- De elektrische installatie moet voldoen aan de geldende normen.
- Indien het elektrische snoer is beschadigd, dan moet die door de fabrikant, vertegenwoordiger of eenderwelke andere geschoolde persoon worden vervangen om elk risico te vermijden.
- De pomp is uitgerust met een geïntegreerde thermische bescherming. Volg het onderstaande installatieschema om een juiste elektrische aansluiting te bekomen.



- De elektrische installatie moet worden uitgevoerd door vakmensen die werden opgeleid om elektrische installaties uit te voeren. Dit apparaat is niet ontworpen om te worden gebruikt door kinderen, personen met een lichamelijke, zintuiglijke of geestelijke

bepanking, of door personen die onvoldoende ervaring of kennis hebben, tenzij er een persoon bij is die verantwoording neemt voor hun veiligheid en hun de bovengenoemde instructies geeft om het apparaat te kunnen bedienen.

Het is zowel voor kinderen als voor volwassenen verboden te steunen of plaats te nemen op het toestel. Kinderen moeten steeds vergezeld zijn van een volwassene opdat zij niet met het toestel zouden spelen.

Stel de waarde van de thermische relais in in functie van de intensiteit van de pomp.

- Elektrocutiegevaar bij een ongeschikte aansluiting op het lichtnet.

## **Montage van de slangen**

- De slangen moet vóór en achter de pomp worden gemonteerd en moeten een diameter hebben die hetzelfde of groter is dan de ingang van de pomp.
- De zuig- en uitstootslang mogen nooit in de pomp achterblijven.
- Men moet alle aansluitingen en het deksel van de pomp goed afdichten om waterverlies in de motor te vermijden. Dit waterverlies zou de motor kunnen beschadigen.

## **Controles alvorens de pomp te starten**

Onderneem volgende stappen alvorens de pomp in werking te stellen:

- Controleer of de geleverde spanning en de frekwentie overeenkomen met de gegevens op het kenplaatje van de pomp.
- Alvorens de pomp te starten moet men die met water vullen voor de zelfaanzuiging.
- Controleer of de spanning en de frequentie van het lichtnet overeenstemmen met deze vermeld op het gegevensplaatje op de pomp.
- De pomp kan doorlopend werken.

## **Avviamento**

Iniziare la pompa soltanto quando i condotti d'aspirazione e di scarico sono collegati all'entrata ed all'uscita della pompa. Verificare se non ci sono ostacoli nei condotti.

## **Starten van de pomp**

Men mag de pomp enkel starten indien de zuig- en uitstootbuizen aan de in- en uitgang van de pomp zijn aangesloten. Controleer of er geen obstakels in de buizen aanwezig zijn.

## **Onderhoud en reiniging**

- Uw nieuwe pomp heeft geen specifiek onderhoud of programmatie nodig. Indien de pomp gedurende een lange tijd niet zal worden gebruikt, dan moet men ze demonteer, reinigen en op een droge en goed verluchte plaats zetten.
- Indien het elektrische snoer is beschadigd, dan moet die door de fabrikant, vertegenwoordiger of eenderwelke andere geschoolde persoon worden vervangen om elk risico te vermijden.
- Men moet de pomp regelmatig reinigen door het vuil uit de filter te verwijderen, zodat de toevoerbuis niet wordt geblokkeerd of de pomp niet beschadigd.
- De onderdelen van de pomp, die door het gebruik afslijten en/of worden aangetast, moeten geregeld worden vervangen om een goed rendement van de pomp te behouden.
- Controleer geregeld:
  - Het correct vastzitten van de mechanische onderdelen en de staat van de steunchoeven van de machine.
  - De correcte positie, het vastzitten en de staat van de stroomgeleiders en van de isolerende onderdelen.
  - De temperatuur van de machine en van de elektrische motor. Schakel bij onregelmatigheden de machine onmiddellijk uit en neem contact op met de dichtsbijzijnde technische dienst.



- De vibraties van de machine . Schakel bij onregelmatigheden de machine onmiddellijk uit en neem contact op met de dichtsbijzijnde

Symptomen	Oorzaken	Oplossing
De pomp werkt niet	Er is geen spanning aanwezig	Er is geen spanning aanwezig Gebruik een ander apparaat dat werkt om het stopcontact en de stroomonderbreker te controleren.
	De stroomonderbreker is afgesprongen	Controleer de stroomonderbreker en indien nodig vervangen.
	De automatische thermische stop staat geactiveerd om de motor te beschermen	Sluit de spanning van de pomp af en laat de motor afkoelen alvorens die opnieuw op te starten. Wees er zeker van dat zowel de pomp als de motor voldoende ventilatie rondom hebben. Wees er zeker van dat de pomp niet door vuil wordt belemmerd en dat de motor vrij kan draaien.
	De motor is verbrand omwille van een overspanning of een overstrooming	Het is mogelijk dat men de motor moet vervangen.
De pomp werkt met een klein of zelfs zonder debiet	De pomp staat geblokkeerd (controleer of de motor vrij kan draaien).	Blokkering in de motor of in de korf
	De kleppen zijn gesloten	Controleer het systeem om er zeker van te zijn dat de kleppen, met inbegrip van de kleppen aan de in- en uitgang van de pomp, in de juiste positie staan om te filtreren.
	De filter is gevuld met vuil	Reinig de filter (zie filterhandleiding).
	Er is lucht aanwezig in het systeem	Start de pomp (zie startprocedure). Controleer of er luchtlekken aanwezig zijn in de zuigbuizen of in de aansluitingen. Wees er zeker van dat het deksel van de korf goed is gesloten en waterdicht is. Controleer of er geen lekken aanwezig zijn onder de pomp.
	Gebrek aan water	Wees er zeker van dat het waterpeil in het zwembad minstens overeenkomt met de hoogte van de skimmer.
	Vuil aanwezig in de pomp of in de skimmer (Opmerking: de pomp niet laten werken zolang de korf of de skimmer niet juist staan gemonteerd).	Wees er zeker van dat korf van de pomp of skimmer niet met vuil zijn gevuld. Wees er zeker van dat er geen blokkering aan de in- en uitgang van de pomp aanwezig is. Wees er zeker van dat er zich geen voorwerpen in de pomp bevinden.
Lek tussen het pomplichaam en de motor	De schroeven van het lichaam staan niet goed vastgedraaid. De pakking of de metalen verbinding zijn versleten.	Sluit de pomp en draai de schroeven los, controleer de uitlijning en de toestand van de pakking alvorens de schroeven opnieuw vast te draaien. Vervang de pakkingen indien nodig.
Deksel van de voorfilter	Het deksel is niet goed gesloten.	Wees er zeker van dat het deksel de O-ring goed vastdrukt.

### INDICAÇÕES DE SEGURANÇA, LEIA COM ATENÇÃO



- As nossas bombas só se podem montar e instalar em piscinas que cumpram as normas IEC/ HD 60364-7-702 e a legislação nacional requerida. A instalação deve ser efetuada em conformidade com a norma IEC/HD 60364-7-702 e a legislação nacional requerida para piscinas. Contacte com o seu distribuidor local para obter mais informações.
- A bomba não pode ser instalada nas zonas 0 (Z0) e 1 (Z1). Pode ver um diagrama nas páginas 61, 62 e 63.
- A instalação eléctrica deve ser realizada por profissionais qualificados em instalações eléctricas.
- Não deixe o aparelho ligado quando estiver a utilizar a piscina.
- Não faça o aparelho funcionar sem estar correctamente purgado.
- Não toque NUNCA o aparelho em funcionamento com o corpo ou com as mãos húmidas.
- Quando tiver de manipular o aparelho, DESLIGUE-O da tomada.
- Assegure-se de que o chão esteja seco, antes de tocar no equipamento eléctrico.
- Não coloque o aparelho onde ele possa se molhar, pode causar electrocussão.
- Este aparelho não foi concebido para ser utilizado por pessoas (incluindo crianças) com capacidades físicas, sensoriais ou mentais reduzidas, ou com falta de conhecimento e experiência, salvo se estiverem sob supervisão ou se tiverem recebido instruções sobre o uso do aparelho de uma pessoa que se responsabilize pela sua segurança. As crianças devem ser supervisionadas para não brincarem com o aparelho..
- Este produto pode ser utilizado por crianças a partir dos 8 anos de idade e pessoas com faculdades físicas, sensoriais ou mentais reduzidas ou com falta de experiência e conhecimento, sempre que o façam sob supervisão ou seguindo as instruções relativas à utilização do produto de forma segura e que tenham conhecimento dos riscos que isso acarreta. As crianças não devem brincar com o produto. A limpeza e a manutenção do utilizador não devem ser realizadas por crianças sem supervisão.
- Se o cabo de alimentação flexível estiver danificado, deverá ser substituído. Leia com atenção as instruções para a substituição do cabo. Em caso de dúvida consulte o serviço técnico.

Estes instruções permitem uma instalação correcta e o desempenho óptimo da vossa bomba. Ler esta nota cuidadosamente. A vossa nova bomba é uma bomba centrífuga só uma etapa, carro que começa, concebida para uma utilização com um sistema de filtração piscine. Esta bomba é concebida para uma utilização com a água limpa à uma temperatura entre 5°C e 35°C. Esta bomba é fabricada com materiais de elevada qualidade assuntos à controlos hidráulicos e eléctricos rigorosos. Uma instalação correcta desta bomba é assegurada seguindo estes instruções. Declinamos qualquer responsabilidade para os prejuízos devidos ao incumprimento deestes instruções

### IMPORTANTE

O manual que é fornecido contém informação fundamental sobre as medidas de segurança a adoptar durante as fases de instalação e colocação em funcionamento. Por isso, é imprescindível que tanto o instalador como o utilizador leiam as instruções antes de realizar as operações de montagem e colocação em funcionamento.

### NORMAS GERAIS DE SEGURANÇA

- As máquinas apresentadas neste Manual foram especialmente concebidas para obter a pré-filtragem e a recirculação da água nas piscinas.
- Efectuar a instalação com base nas indicações específicas de cada aplicação.
- Para qualquer alteração na bomba é necessária a autorização prévia do fabricante. As peças de substituição originais e os acessórios autorizados pelo fabricante servem para garantir uma maior segurança. O fabricante da bomba fica isento de qualquer responsabilidade pelos danos que forem provocados pela utilização de peças ou acessórios não autorizados.
- Ao efectuar o trabalho sobre cada máquina ou sobre os equipamentos a esta ligados, é necessário desligar o equipamento da fonte de alimentação e os dispositivos de arranque, uma vez que durante o funcionamento as peças eléctricas da bomba estão sob tensão.
- O utilizador deve certificar-se de que os trabalhos de montagem e manutenção são realizados por pessoas autorizadas e qualificadas, e que estas pessoas conhecem de forma pormenorizada as instruções de instalação e serviço.
- Cumprir todas as instruções de instalação e manutenção para garantir a segurança do funcionamento da máquina.
- Em caso de funcionamento defeituoso ou avaria, deve dirigir-se ao seu fornecedor ou ao representante oficial mais próximo.
- Se o cabo de alimentação estiver danificado, a substituição deverá ser efectuada pelo fabricante, pelo seu serviço pós-venda ou por pessoal qualificado, a fim de evitar riscos.
- O dispositivo deve estar ligado a uma tomada de corrente com ligação à terra, protegida por um interruptor diferencial (DDR) com uma corrente residual que não ultrapasse os 30 mA.
- É necessário ter atenção para que, de forma alguma, entre água no motor e nas partes eléctricas em tensão.
- Evitar a qualquer momento o contacto, mesmo que accidental, com as peças móveis da máquina durante o funcionamento da mesma e/ou antes da sua paragem total.
- Esperar que a máquina pare completamente antes de efectuar qualquer intervenção.
- Desligar a máquina da fonte de alimentação e bloquear os dispositivos da colocação em funcionamento, antes de proceder a qualquer intervenção de manutenção eléctrica ou mecânica.
- Para limitar os riscos de feridas, este produto não deve ser utilizado por crianças, excepto com uma vigilância aproximada.
- Não enterrar o fio eléctrico. Colocar o fio de modo que não seja danificado pelas máquinas de cortar, dimensão-sebe e outros aparelhos.
- Não começar a bomba antes que seja conectada correctamente à sua piscina.
- Para limitar os riscos de choque eléctrico, substituir o fio eléctrico imediatamente se for danificado.

## Instalação

Só um pessoal autorizado e qualificado deverá instalar a bomba e a cablagem, observando as normas em vigor.

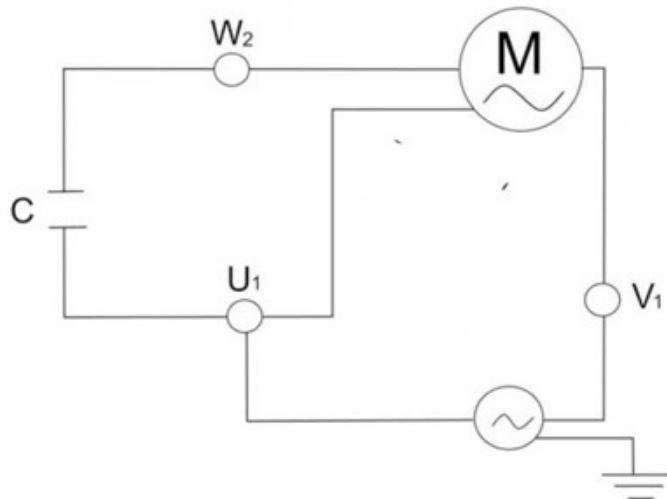
- La bomba deve ser instalada horizontalmente, fixando-o com os parafusos sobre o apoio, isto para evitar as vibrações e os barulhos prejudiciais
- A bomba deve ser instalada distante de qualquer produto corrosivo ou inflamável.
- A bomba deve ter uma drenagem suficiente para evitar o risco de inundação e deve ser protegida de um excesso de humidade.
- Prever válvulas independentes à entrada e a saída de água.
- Prever um acesso suficiente para a manutenção da bomba e assegurar-se de que o

rótulo de dados técnicos da bomba continua a ser visível.

- Aquando da instalação da bomba, posicionar para ter um espaço livre de 1m muito ao redor.

## INSTALAÇÃO ELÉCTRICA

- Pôr o motor à terra antes de ligá-lo à uma fonte eléctrica. Se não, o motor poderá provocar um choque eléctrico severo ver mortal. Não o pôr à terra sobre um conduto de gases.
- Para evitar o risco de choque eléctrico perigoso ou mortal, desligar a fonte de electricidade d u a motor antes de trabalhar sobre as conexões eléctricas.
- O desencadeamento de um disjuntor indicaria um problema eléctrico. Se o disjuntor desencadeia-se e não pode ser entregue, pedir a um electricista qualificado que verifique e reparar so sistema eléctrico.
- Ligue a bomba a uma fonte de corrente alternada com uma tomada de terra, protegida por um dispositivo de corrente residual (RCD) que tenha uma corrente operacional residual nominal inferior a 30 mA.
- As ligações à rede inadequadas implicam o risco de eletrocussão.
- A tensão de alimentação deve corresponder exactamente à voltagem indicada sobre a placa do motor. Uma tensão incorrecta poderia provocar um incêndio e/ou danificar o motor, o que anularia a garantia. No caso de dúvida, consultar um electricista.
- O fio eléctrico é fornecido com uma conexão de tipo "LÁ". Se o fio eléctrico for substituído, o novo fio deve igualmente ser de um tipo adequado. A garantia será anulada no caso de modificação não - autorizada de componentes.
- A instalação eléctrica deve ser conforme com as normas em vigor.
- Se o fio eléctrico for danificado, deve ser substituído por fabricando, o seu agente, ou qualquer poutra pessoa qualificada para evitar qualquer perigo.
- A bomba é equipada d' uma protecção térmica integrada. Seguir o esquema abaixo para uma conexão eléctrica correcta.



- A instalação eléctrica deve ser realizada por profissionais qualificados em instalações eléctricas. Este dispositivo não foi concebido para ser utilizado por crianças, por pessoas com capacidades físicas, sensoriais ou psíquicas reduzidas, ou por pessoas sem experiência ou sem conhecimentos, exceto se uma pessoa responsável pela sua segurança se encontra a cargo da sua vigilância e lhe proporciona as instruções prévias para manusear o dispositivo. Não permita que crianças ou adultos se apoiem ou sentem no aparelho. As crianças devem ser mantidas sob vigilância.
- Ajustar convenientemente o valor do relé térmico de acordo com a intensidade da bomba.

- Existe perigo de electrocussão, caso a ligação à rede eléctrica não seja efectuada de forma adequada.

## **Montagem de tubos**

- Os tubos ascendentes e a jusante da bomba devem ter diâmetros iguais ou superiores ao da entrada da bomba.
- Os tubos de aspiração e de quitação não devem em caso algum permanecer sobre a bomba.
- Efectivamente selar todas as conexões e a tampa da bomba para evitar as gotas de água sobre motor, o que poderia danificar-o.

## **Controlos antes de arranque**

Antes de colocar a bomba em funcionamento, é necessário realizar as seguintes operações:

- Verificar que a tensão fornecida assim como a frequência corresponde à placa que encontra-se sobre a bomba.
- Antes do arranque inicial, preencher a bomba com a água para auto-cebante da bomba.
- Comprovar que a tensão e potência da rede eléctrica correspondem aos valores indicados na placa de características da bomba.
- A bomba pode funcionar continuamente.

## **Arranque**

Começar a bomba apenas quando os tubos de aspiração e de quitação são conectados à entrada e a saída da bomba. Verificar que não há obstáculos nos tubos.

## **Manteniment e limpeza**

- A vossa nova bomba da piscina não tem necessidade de entrevista especial ou de programação. No caso ou a bomba não é utilizado durante certo tempo, é aconselhado desmontar-o, de limpar-o, e de arranjar-o numa lugar seca e bem aerado.
  - Se o fio eléctrico for danificado, deve ser substituído por fabricando, o seu agente, ou qualquer outropessoa qualificada a fim de evitar qualquer perigo.
  - Limpar regularmente a vossa bomba retirando os restos do vosso filtro, para que o tubo de entrada não bloqueie ou não danifique a bomba.
  - Os componentes da bomba que, devido à sua utilização habitual, sofram desgaste e/ou deterioração devem ser repostos periodicamente para manter o bom rendimento da bomba.
  - Verificar periodicamente:
    - o A correcta fixação das peças mecânicas e o estado dos parafusos de suporte da máquina.
    - o A correcta posição, a fixação e o estado dos condutores de alimentação e das peças isolantes.
- A temperatura da máquina e do motor eléctrico. Em caso de anomalia, parar imediatamente a máquina e recorrer ao Serviço de Assistência Técnica mais próximo.

Symptoms	Causes	Solution
A bomba não funciona	Não corrente à fonte eléctrica.	Utilizar outro aparelho que funciona para verificar a tomada eléctrica. Verificar o disjuntor
	Disjuntor saltado.	Verificar o disjuntor e substituí-lo se necessário
	O acórdão automático térmico da bomba activou-se para proteger o motor.	Cortar a corrente à bomba e deixar resfriar o motor antes do redémarrar. Assegurar-se de que a bomba e o motor têm uma ventilação suficiente ao redor. Assegurar-se de que a bomba não é bloqueada por restos e que a árvore gira livremente. É possível que o motor seja conectado sobre uma fonte básica tensão
	A bomba é bloqueada (verificar se o motor pode girar livremente).	Bloqueio na bomba ou o cesto. Os rolamentos são bloqueados
De pomp werkt met een klein of zelfs zonder debiet	Motor queimado devido à uma PIC de tensão ou inundado pela água	Cortar a corrente à bomba e deixar resfriar é possível que o motor deva ser substituído
	As válvulas estão posição fechada	Verificar o sistema para assegurar-se de que as válvulas estão na boa posição para filtrar, incluindo eventuais as válvulas à entrada e a saída da bomba.
	O filtro é preenchido de restos	Limpar o filtro (referir-se à documentação fornecida com o vosso filtro).
	Ar no sistema.	Assegurar-se de que o nível em piscina está pelo menos mi-hauteur da abertura do skimmer.
	Falta de água.	Make sure that the water level is at least at the height of the skimmer.
	Resto na bomba ou o skimmer. (Nota: não fazer funcionar a bomba sem o cesto da bomba ou o cesto do skimmer montada correctamente)	Assegurar-se de que o cesto da bomba e o skimmer não é preenchido restos. Assegurar-se de que não há bloqueio à entrada ou a saída da bomba. Assegurar-se de que o interior da bomba não tem objectos que poderiam bloquear o débito de água.
Lek tussen het pomplichaam en de motor	As porcas do corpo não são bem apertadas. A junta de impermeabilidade ou a junta mecânica é usada.	Cut-out the pump and loosen the screws, check the alignment and the condition of the water-tight gaskets before tightening the screws, replace the gaskets if necessary.
Deksel van de voorfilter	A tampa n' não é aparafusado correctamente	S' assegurar que a tampa comprime a junta tórica.



**INSTRUKCJA BEZPIECZEŃSTWA. NALEŻY PRZECZYTAĆ OSTROŻNIE**

- Nasze pompy mogą być montowane i instalowane wyłącznie w basenach zgodnych z normami IEC/HD 60364-7-702 oraz wymaganymi przepisami krajowymi. Instalacja powinna być zgodna z normą IEC/HD 60364-7-702 i wymaganymi przepisami krajowymi w zakresie basenów.
- Skontaktuj się z lokalnym sprzedawcą, aby uzyskać więcej informacji.
- Pompy nie można zainstalować w strefie 0 (Z0) ani w strefie 1 (Z1). Patrz rysunki na str. 61, 62 i 63.
- Instalacja elektryczna powinna być wykonana przez profesjonalnych i wykwalifikowanych specjalistów.
- Nie należy włączać urządzenia w przypadku gdy basen jest użytkowany.
- Nie należy włączać urządzenia w momencie gdy nie jest ono dobrze podłączone.
- **NIGDY** nie należy dotykać urządzenia w momencie gdy jest włączone lub gdy jesteś mokry lub gdy masz mokre ręce.
- W momencie gdy chcesz otworzyć obudowę pompy ciepła należy **ODŁĄCZYĆ** zasilanie prądu.
- Należy się upewnić, że ziemia jest sucha przed dotknięciem urządzenia elektrycznego.
- Nie należy instalować urządzenia w miejscu gdzie może ono spowodować porażenie prądem.
- Niniejsze urządzenie nie jest przeznaczone do użytku przez osoby (w tym dzieci) o ograniczonej sprawności fizycznej, sensorycznej lub umysłowej albo nieposiadające doświadczenia i wiedzy, chyba że są one pod nadzorem lub zostały poinstruowane w zakresie użytkowania urządzenia przez osobę odpowiedzialną za ich bezpieczeństwo. Należy pilnować dzieci, aby nie bawiły się urządzeniem.
- Urządzenie może być używane przez dzieci w wieku od 8 lat oraz przez osoby o ograniczonej sprawności fizycznej, sensorycznej lub umysłowej albo nieposiadające doświadczenia i wiedzy, jeśli są one pod nadzorem lub zostały poinstruowane w zakresie bezpiecznego korzystania z urządzenia oraz są świadome istniejących zagrożeń. Dzieci nie mogą bawić się urządzeniem. Czyszczenie i czynności konserwacyjne urządzenia nie powinny być przeprowadzane przez dzieci pozostawione bez nadzoru.
- W przypadku gdy kabel do urządzenia jest uszkodzony należy go wymienić. Należy ostrożnie przeczytać instrukcję w celu wymiany kabla. Jeżeli pojawią się jakiegokolwiek wątpliwości to należy wezwać pomoc techniczną.

Niniejszy model urządzenia jest tak skonstruowany aby umożliwić poprawną instalację dając optymalne wyniki w przypadku użytkowania pompy do basenu. Należy ostrożnie przeczytać niniejszą instrukcję.

Niniejsza nowa pompa jest jedno-etapową, samo-zassysającą, która stosuje siłę osrodkową zaprojektowaną dla użytku w przypadku stosowania systemu filtrującego do basenu. Została ona zaprojektowana do użytku w czystej wodzie w temperaturach pomiędzy 5 °C a 35 °C. Została ona wyprodukowana z bardzo wysokiej jakości materiałów, które zostały poddane restrykcyjnym testom hydraulicznym oraz elektrycznym. Stosując niniejszą instrukcję gwarantujemy poprawną instalację niniejszej pompy. Producent nie ponosi odpowiedzialności za jakiegokolwiek szkody powstałe przy stosowaniu się do innych wytycznych oprócz tych, które zostały przedstawione i wytłumaczone w niniejszej instrukcji obsługi.



## WAŻNE

Niniejsza instrukcja zawiera wszelkie niezbędne informacje jeżeli chodzi o środki bezpieczeństwa, których należy przestrzegać w przypadku przeprowadzenia instalacji oraz uruchomienia urządzenia. Instalator oraz użytkownik urządzenia musi zatem zapoznać się z instrukcją przed przystąpieniem do instalacji oraz uruchomienia urządzenia.

### OGÓLNE ZASADY DOTYCZĄCE BEZPIECZEŃSTWA

- Urządzenia, wskazane w niniejszej instrukcji obsługi zostały specjalnie zaprojektowane dla filtrowania oraz do recyrkulacji wody w basenach.
- Należy instalować niniejsze urządzenia zgodnie z instrukcją obsługi mającą zastosowanie dla każdego urządzenia osobno.
- Wszelkie modyfikacje dokonane w pompie wymagają wcześniejszej zgody producenta. Stosowanie oryginalnych części zamiennych oraz autoryzowanych akcesoriów przez producenta zapewniają większe bezpieczeństwo. Producent pompy jest zwolniony z ponoszenia jakiegokolwiek odpowiedzialności wynikającej ze szkód powstałych w wyniku stosowania nieoryginalnych części zapasowych lub akcesoriów.
- W momencie podejmowania się jakichkolwiek prac na urządzeniu, lub kilku urządzeniach należy odłączyć urządzenie od zasilania prądem oraz od urządzeń uruchamiających je jako że elektryczne części pompy są aktywne podczas pracy urządzenia.
- Wszelkie prace montażowe oraz konserwujące muszą być wykonywane przez wykwalifikowany oraz autoryzowany do tego personel, który wcześniej zapoznał się z instrukcją obsługi oraz instrukcją serwisowania.
- Aby zagwarantować bezpieczeństwo podczas użytkowania urządzenia, należy przestrzegać zasad, które są zawarte w instrukcji dotyczącej instalacji oraz serwisowania.
- W przypadku jakichkolwiek wad/ awarii w funkcjonowaniu urządzenia należy skontaktować się z dostawcą lub najbliższym przedstawicielem.
- W przypadku gdy jest uszkodzony kabel od urządzenia producent, lub jego dział obsługi posprzedażowej lub zespół wykwalifikowanych techników winien wymienić niniejszy kabel w celu uniknięcia jakiegokolwiek zagrożenia.
- Niniejsze urządzenie powinno być podłączone do gniazdka z uziemieniem, z wyłącznikiem ochronnym różnicowo-prądowym (30A).
- Należy upewnić się, że woda nie przedostanie się do elektronicznych elementów w silniku ani do innych części w urządzeniu.
- Należy zawsze unikać dotykania urządzenia – nawet przypadkowego – jeżeli chodzi o ruchome elementy podczas gdy urządzenie jest włączone lub/ oraz zanim w przypadku wyłączenia urządzenia aż nie zatrzyma się całkowicie po jego wyłączeniu.
- Należy poczekać aż do momentu gdy urządzenie całkowicie się nie zatrzyma zanim podejmie się jakiegokolwiek działania.
- Przed przystąpieniem do jakichkolwiek prac konserwacyjnych elektrycznych lub mechanicznych należy odłączyć urządzenie oraz zabezpieczyć urządzenie przed samoistnym uruchomieniem się.
- W celu zmniejszenia ryzyka odniesienia obrażeń dzieci nie powinny używać niniejszego urządzenia.
- Nie należy zakopywać kabla elektrycznego. Należy położyć kabel tak aby nie został on uszkodzony przez inne maszyny lub urządzenia takie jak kosiarki, itp.
- Nie należy uruchamiać pompy zanim nie została ona odpowiednio podłączona do basenu.
- W celu zmniejszenia ryzyka porażenia prądem należy natychmiast wymienić kabel w momencie jego uszkodzenia.
- W celu zmniejszenia ryzyka porażenia prądem nie należy używać przedłużaczy w

celu podłączenia pompy do zasilania. Należy ją podłączyć do poprawnie zainstalowanego gniazdka.

- Nie należy używać pompy bez wody!

## **INSTALACJA**

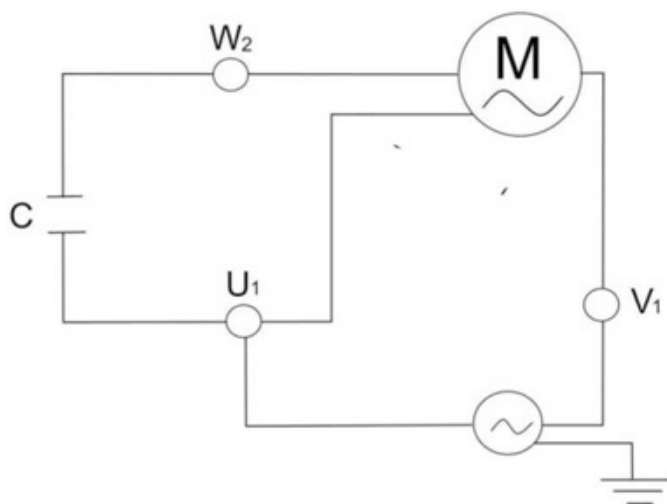
- Tylko odpowiednio wykwalifikowany oraz autoryzowany personel powinien instalować pompę oraz jej okablowanie biorąc pod uwagę obowiązujące przepisy elektryczne.
- Pompa musi być zainstalowana poziomo, przykręcając ją do podstawy w celu uniknięcia powstawania wibracji oraz niechcianego hałasu.
- Pompa powinna być zainstalowana daleko od jakichkolwiek żrących substancji lub łatwopalnych produktów.
- Pompa powinna mieć odpowiedni system odprowadzania wody w celu uniknięcia powodzi oraz powinna być ochroniona przed zbytnią wilgotnością.
- Należy zainstalować odrębne zawory wlotowe oraz wylotowe do wody.
- Należy zapewnić odpowiednią ilość miejsca w celu umożliwienia prac konserwujących oraz należy upewnić się, że podstawa techniczna jest widoczna.
- Podczas instalacji urządzenia należy się upewnić aby wokół pompy była przestrzeń w wysokości 1m.

## **INSTALACJA ELEKTRYCZNA**

- Należy położyć silnik na podłodze przed podłączeniem go do zasilania. W przeciwnym razie silnik może spowodować poważne lub śmiertelne porażenie prądem. Nie należy kłaść go na podłodze nad rurą z gazem.
- W celu uniknięcia niebezpiecznego lub śmiertelnego wstrząsu elektrycznego należy silnik odłączyć od zasilania prądem przed przystąpieniem do prac związanych z elektryką.
- W przypadku występowania zwarcia oznacza to, że jest problem z elektryką. Jeżeli występują zwarcia i nie można ponownie uruchomić urządzenia, należy poprosić elektryka o sprawdzenie układu elektrycznego oraz o jego naprawę.
- Podłącz pompę do źródła prądu przemiennego i uziemienia zabezpieczonego wyłącznikiem różnicowoprądowym (RCD), o znamionowym prądzie różnicowym nieprzekraczającym 30 mA.
- Nieodpowiednie podłączenie do sieci wiąże się z ryzykiem porażenia prądem.
- Moc zasilania prądem powinno odpowiadać napięciu wskazanemu na płycie silnika. Zastosowanie nieodpowiedniego napięcia może przyczynić się do pożaru lub uszkodzić silnik oraz przyczynić się do unieważnienia gwarancji. W przypadku jakichkolwiek wątpliwości należy się skonsultować z elektrykiem.
- Kabel elektryczny typu "Y" został załączony. W przypadku gdy zaistnieje konieczność wymiany kabla to należy go również wymienić na odpowiedni typ kabla. W przypadku jakichkolwiek niedozwolonych modyfikacji gwarancja zostaje anulowana.
- Instalacja elektryczna musi zostać wykonana w zgodzie z obowiązującymi przepisami prawa.
- W przypadku gdy kabel jest uszkodzony, producent, dystrybutor lub każda inna wykwalifikowana osoba powinna go wymienić w celu uniknięcia uszkodzenia urządzenia.
- Pompa jest wyposażona w kompleksową ochronę termiczną. W celach montażowych instalacji elektrycznej należy postępować zgodnie z instrukcją przedstawioną na obrazku poniżej.
- Instalacja elektryczna powinna zostać wykonana przez odpowiednio do tego

wykwalifikowaną osobę, posiadającą doświadczenie w montowaniu tego typu instalacji. Niniejsze urządzenie nie jest zaprojektowane aby mogło być używane przez dzieci, ani przez osoby niepełnosprawne lub osoby o zmniejszonych zdolnościach psychologicznych, lub przez osoby nieposiadające odpowiedniego doświadczenia lub wiedzy potrzebnej do używania tego typu urządzenia, chyba że jest osoba odpowiedzialna za ich bezpieczeństwo i odpowiednio ich poinstruuje jak należy obsługiwać urządzenie. Nie należy pozwalać dzieciom ani dorosłym na to aby siadały albo opierały się o urządzenie. Należy nadzorować dzieci tak aby nie bawiły się one urządzeniem.

- Należy dostosować wysokość zabezpieczenia termicznego odpowiednio do prądu przepływającego przez pompę.
- W przypadku nie zastosowania odpowiedniego połączenia do zasilania prądem istnieje ryzyko porażenia prądem.



## Montaż rur

- Rury należy zamontować zarówno z przodu oraz od tyłu pompy, a ich średnice powinny być równe średnicom na wlocie pompy. W celu uniknięcia spadku ciśnienia należy zawsze używać rury PVC o średnicy 50mm. Należy zastosować większą średnicę w przypadku większych rur.
- Nigdy nie należy zostawiać rury zassysające oraz rury wypuszczające podłączone do pompy.
- Należy poprawnie uszczelnić wszelkie łączenia oraz przykryć pompę w uniknięcia wszelkich przecieków wody do silnika, która mogłaby go uszkodzić.

## Testy do wykonania przed uruchomieniem pompy

Należy wykonać następujące kroki przed uruchomieniem pompy:

- Należy sprawdzić zasilanie prądem oraz częstotliwość, która powinna odpowiadać wytycznym wskazanym na tabliczce znamionowej pompy.
- Przed uruchomieniem pompy, należy napętnić ją wodą w celu uruchomienia mechanizmu samozassysania.
- Należy sprawdzić napięcie zasilania głównego oraz częstotliwość zgodnie z wytycznymi wskazanymi na tabliczce znamionowej pompy.
- Pompa może być włączona cały czas.

## Uruchomienie pompy

Należy uruchomić pompę tylko i wyłącznie w momencie gdy podłączone są rury zassysające oraz rury wypuszczające do i z pompy. Należy się upewnić czy w rurach nie znajdują się żadne elementy mogące utrudnić działanie pompy.

## Konserwacja oraz czyszczenie

- Twoja nowa pompa nie potrzebuje szczególnej konserwacji, należy tylko pamiętać,

że w momencie gdy pompa nie jest używana przez dłuższy czas należy ją zdemon-  
tować oraz wyczyścić a następnie przechowywać w suchym, dobrze wentylowan-  
ym miejscu.

- W przypadku uszkodzenia kabla, producent, dystrybutor lub inna wykwalifikowa-  
na do tego osoba powinna go wymienić w celu uniknięcia jakichkolwiek zagrożeń.
- Należy regularnie czyścić pompę, usuwając z niej brud, który będzie się znajdował  
w filtrze tak aby rura wlotu do pompy nie była zablokowana aby uniknąć uszkodze-  
nia pompy.
- Części składowe pompy, które się zużywają przez użytkowanie, muszą być często  
wymieniane aby zapewnić poprawne funkcjonowanie pompy.

• Wymagana regularna kontrola następujących kroków:

Należy sprawdzić czy części mechaniczne są mocno przytwierdzone oraz należy  
sprawdzić stan śrub podtrzymujących urządzenie.

Należy sprawdzić czy żyły robocze oraz elementy izolowane znajdują się na  
odpowiednim miejscu oraz w jakim są stanie czy nie nadają się do naprawy.

Należy sprawdzać temperaturę urządzenia oraz silnika elektrycznego. W momencie  
wykrycia wady/ awarii urządzenia należy natychmiast je zatrzymać oraz skontak-  
tować się z najbliższym punktem Obsługi Technicznej.

Należy sprawdzić urządzenie pod kątem wibracji. W momencie wykrycia wady/  
awarii należy natychmiast zatrzymać urządzenie oraz skontaktować się z naj-  
bliższym punktem Obsługi Technicznej.

Problemy	Powód	Rozwiązanie
Pompa nie działa	Brak zasilania	Należy skorzystać z innego urządzenia w celu sprawdzenia czy gniazdko jest dobre oraz należy sprawdzić czy nie powstało zwarcie.
	Powstało zwarcie	Należy sprawdzić czy nie powstało zwarcie, a jeżeli tak się stało to należy naprawić usterkę.
	Automatyczny wyłącznik termalny deaktywujący pompę aby zabezpieczyć urządzenie przed poważnymi uszkodzeniami – włączył się.	Należy odciąć zasilanie prądem i następnie pozostawić urządzenie aż ostygnie przed kolejnym uruchomieniem. Należy się upewnić czy pompa oraz silnik mają odpowiedni dostęp do powietrza. Należy się upewnić czy w pompie nie znajduje się brud tak aby silnik mógł się swobodnie obracać.
	Silnik się spalił z powodu przeciężenia lub powodzi	Być może należy wymienić silnik.
Pompa pracuje ale woda, która wypływa ma niskie ciśnienie lub nie przepływa przez pompę	Pompa jest zablokowana (należy sprawdzić czy silnik się obraca swobodnie)	Blokada w pompie lub w koszyku.
	Zawory są zamknięte	Należy sprawdzić system w celu upewnienia się czy zawory są umieszczone w odpowiednim miejscu gdzie powinny filtrować wodę, również należy zwrócić uwagę na zawory poboru wody oraz zawory wylotu z pompy.
	Filtr jest pełny brudu	Należy wyczyścić filtr.
	W pompie znajduje się powietrze	Należy uruchomić pompę (sprawdź procedurę uruchamiania pompy). Należy sprawdzić czy nie ma przecieków powietrza w rurach lub w łączeniach. Należy się upewnić, że pokrywa koszyka jest dobrze zamknięta i hermetycznie uszczelniona. Należy sprawdzić czy nie ma nigdzie przecieków pod pompą.
	Brak wody	Należy się upewnić czy poziom wody jest przy najmniej na wysokości Skimmera.
	Brud w pompie lub w Skimmerze. (Uwaga: Nie należy włączać pompy ani Skimmera bez poprawnego montażu koszyka)	Należy się upewnić czy koszyki znajdujące się w pompie lub w Skimmerze nie są pełne brudu.
Przeciek pomiędzy obudową pompy a silnikiem.	Śruby na obudowie nie są odpowiednio mocno przyciężowane. Uszczelka lub uszczelka metalowa się zużyły.	Należy wyłączyć pompę oraz poluźnić śruby, następnie sprawdzić czy uszczelki znajdują się na swoich miejscach oraz czy są w dobrym stanie przed ponownym przykręceniem śrub, jeżeli zasilnieje taka konieczność należy wymienić uszczelki.
Pokrywa filtra	Pokrywa nie jest odpowiednio zamknięta	Należy się upewnić aby pokrywa była dobrze zamknięta za pomocą pierścienia uszczelniającego.

### BEZPEČNOSTNÍ POKYNY ČTĚTE POZORNĚ



- Naše čerpadla je možné montovat a instalovat u bazénů splňujících požadavky normy IEC/ HD 60364- 7-702 a příslušné národní legislativy. Instalace by se měla řídit normou IEC/ HD 60364-7-702 a příslušnou národní legislativou pro bazény. Podrobnosti vám sdělí váš prodejce.
- Čerpadlo nesmí být umístěno v zónách 0 (Z0) a 1 (Z1). Nákres naleznete na straně 61, 62 a 63.
- Elektrickou instalaci musí provést odborný elektrikář s potřebnou kvalifikací.
- Elektrické zařízení nesmí být zapnuté během používání bazénu.
- Čerpadlo nespouštějte, dokud není řádně naplněno vodou.
- **NIKDY** se zařízení za provozu nedotýkejte mokřýma rukama nebo když jste mokří.
- Před manipulací s čerpadlem **ODPOJTE** napájení.
- Před dotykem elektrického zařízení zkontrolujte, zda je zem suchá.
- Neinstalujte zařízením pokud by se mohlo namočit, protože by to mohlo způsobit smrt elektrickým proudem.
- Děti a osoby se sníženými fyzickými, smyslovými nebo mentálními schopnostmi nebo nedostatkem zkušeností a znalostí smí toto zařízení používat pouze v případě, že jsou pod dozorem nebo byly poučeny o používání zařízení osobou zodpovědnou za jejich bezpečnost. Děti si se zařízením nesmějí hrát.
- Toto zařízení mohou používat děti ve věku 8 let a starší osoby se sníženými fyzickými, smyslovými nebo mentálními schopnostmi nebo nedostatkem zkušeností a znalostí, pokud jsou pod dozorem nebo byly poučeny o používání zařízení bezpečným způsobem a rozumí případným nebezpečím. Děti si se zařízením **nesmějí hrát. Čištění a údržbu nesmějí provádět děti bez dozoru.**
- Pokud se kryt čerpadla poškodí, je nutno jej vyměnit. Před výměnou si pečlivě prostudujte návod. V případě pochybností se obraťte na servisní oddělení.

Tento režim umožňuje provést správnou instalaci pro optimální výsledky činnosti vašeho bazénového čerpadla. Tuto příručku si pečlivě prostudujte.

Vaše nové čerpadlo je jednofázově samo-plnicí, odstředivé čerpadlo určené k používání s bazénovým filtračním systémem. Je určeno k provozu s čistou vodou o teplotě od 5 °C do 35 °C. Je vyrobeno z vysoce kvalitních materiálů, které byly předmětem hydraulických a elektrických zkoušek. Správnou instalaci čerpadla zaručí dodržení následujících pokynů. Odmítáme odpovědnost za škody způsobené jiným použitím než je to, které je popsáno v této příručce.

### DŮLEŽITÉ UPOZORNĚNÍ

Tato příručka obsahuje základní informace o bezpečnostních opatřeních, která je třeba přijmout při instalaci a spuštění. Osoba plnící a používající čerpadlo si proto před instalací a spuštěním musí tyto pokyny prostudovat.

### OBECNÁ PRAVIDLA BEZPEČNOSTI

- Zařízení popsaná v této příručce jsou speciálně určena pro před-filtrování a recirkulaci bazénové vody.
- Instalujte je podle konkrétních pokynů pro každou instalaci.
- Každá úprava čerpadla vyžaduje schválení výrobce. Originální náhradní díly schválené výrobcem zajišťují největší bezpečnost. Výrobce čerpadla nenese odpovědnost za škody způsobené použitím neschválených náhradních dílů nebo příslušenství.
- Při práci na zařízení nebo připojených jednotkách odpojte jednotku od napájení a spouštěcích zařízení, protože elektrické součásti čerpadla jsou za provozu pod prou-



dem.

- Veškeré montážní a údržbářské práce musí provádět kvalifikovaný a pověřený personál, který si pečlivě prostudoval instalační a servisní pokyny.
  - Pro zajištění bezpečnosti za provozu zařízení musíte přesně dodržovat pokyny k instalaci a servisu.
  - V případě poruchy nebo závady kontaktujte svého dodavatele nebo nejbližšího zástupce výrobce.
  - V případě poškození napájecího kabelu by jej měl pro zamezení riziku vyměnit výrobce, oddělení poprodejních služeb nebo kvalifikovaný servisní technik.
  - Zařízení musí být připojeno k uzemněné zásuvce chráněné jističem zbytkového proudu, který nepřekračuje 30 mA.
- 
- Dbejte, aby do motoru nebo živých elektrických součástí nemohla proniknout voda.
  - Zamezte každému kontaktu - i náhodnému - s pohyblivými součástmi zařízení za chodu a/nebo než se úplně zastaví.
  - Než budete se zařízením manipulovat, počkejte, až se veškerý pohyb zcela zastaví.
  - Před jakoukoliv operací elektrické nebo mechanické údržby odpojte jednotku od napájení a zamkněte spouštěcí prvky.
  - Pro snížení rizika úrazu by tento výrobek neměly používat děti.
  - Nedávejte elektrický kabel do země. Položte ho tak, aby se nemohl poškodit mechanizací, jako jsou pojiždějící mechanismy apod.
  - Nespouštějte čerpadlo, dokud není řádně připojeno k bazénu.
  - Pro snížení rizika úrazu elektrickým proudem poškozený napájecí kabel ihned vyměňte.
  - Pro snížení rizika úrazu elektrickým proudem nepoužívejte pro připojení čerpadla ke zdroji napájení prodlužovací šňůry. Připojte čerpadlo jen ke správně instalované elektrické síťové zásuvce.
  - Čerpadlo nepoužívejte, pokud není naplněno vodou!

## **INSTALACE**

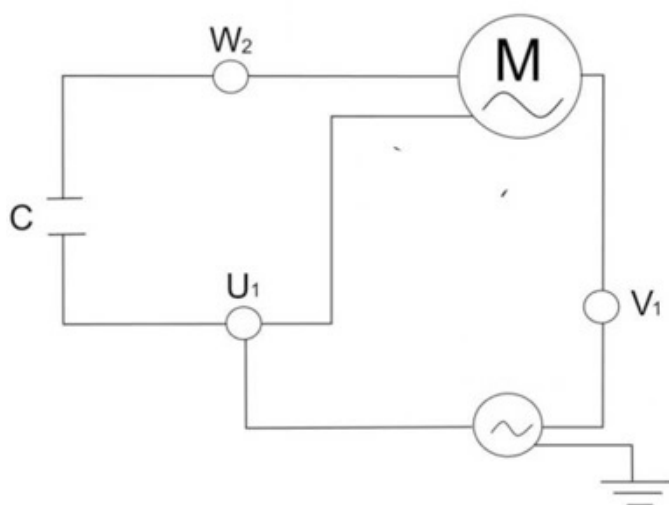
- Čerpadlo a jeho kabely smí instalovat jen pověřený a kvalifikovaný personál respektující platné předpisy.
  - Čerpadlo se instaluje do vodorovné polohy a šroubuje se k podkladu pro zamezení hluku a vibracím.
  - Čerpadlo instalujte v bezpečné vzdálenosti od korozivních a hořlavých látek.
  - Čerpadlo opatřete dostatečným odvodněním pro zamezení rizika záplavy a chraňte před nadměrnou vlhkostí.
  - Instalujte nezávislý ventil přívodu a vypouštění vody.
- 
- Zajistěte dostatečný přístup k čerpadlu pro údržbu a dbejte na viditelnost výrobního štítku čerpadla.
  - Během instalace zajistěte 1 metr volného prostoru na všech stranách.

## **ELEKTRICKÁ INSTALACE**

- Před připojením k síti položte motor na podklad. Jinak způsobí silný, ba dokonce smrtelný úraz elektrickým proudem. Nepokládejte ho na plynovou trubku.
- Pro zamezení nebezpečného nebo smrtelného úrazu elektrickým proudem před zásahem do elektrických spojů odpojte napájení motoru.
- Zkrat znamená, že je ve vedení elektrická závada. Pokud dojde ke zkratu a motor nelze nastartovat, požádejte kvalifikovaného elektrikáře o kontrolu a opravu elektrického systému.



- Připojte čerpadlo ke zdroji střídavého proudu a zemnímu připojení chráněnému proudovým chráničem (RCD). Jmenovitý zbytkový provozní proud nesmí přesahovat 30 mA.
- Nevhodné připojení k síti s sebou nese riziko úrazu elektrickým proudem.
- Napájení musí přesně odpovídat napětí uvedenému na výrobním štítku motoru. Nesprávné napětí může vyvolat požár a/nebo poškození motoru a ruší záruku. V případě pochybností si ověřte správnost napájení u elektrikáře.
- Elektrický kabel je součástí dodávky a dodává se s vidlicí „Y“. Pokud je třeba kabel vyměnit, nový kabel musí být stejného typu. V případě neoprávněného zásahu do kterékoliv komponenty zaniká záruka.
- Elektrická instalace musí odpovídat aktuálně platným předpisům.
- Pokud se elektrický kabel poškodí, musí ho vyměnit výrobce, jeho zástupce nebo jiná kvalifikovaná osoba pro zamezení škod.
- Čerpadlo je vybaveno kompletní termální ochranou. Pro správnou elektrickou instalaci se držte elektrického schématu níže.



- Elektrickou instalaci musí provádět osoba s příslušnou kvalifikací pro práci na elektrických zařízeních. toto zařízení není určeno pro používání dětmi, osobami se sníženými fyzickými, smyslovými nebo duševními schopnostmi nebo osobami, které nemají potřebné znalosti a zkušenosti, pokud nebudou pod dohledem osoby odpovědné za jejich bezpečnost, která jim poskytla příslušné pokyny pro zacházení se zařízením. Nenechte děti ani dospělé se o čerpadlo opírat nebo na něm sedět. Děti musí být pod dohledem, aby si se zařízením nehrály.
- Podle proudu čerpadla upravte hodnotu tepelného relé.
- Nevhodné síťové připojení představuje riziko smrtelného úrazu elektrickým proudem.

## Montáž trubek

- Trubky se instalují před a za čerpadlo a měly by mít průměr větší nebo stejný jako vstupní otvor čerpadla. Pro zamezení ztrátám třením používejte vždy minimální průměr PVC trubky 50 mm. Pro větší trubky zvětšete průměr.
- Sací a vypouštěcí trubky nesmějí zůstat připojeny k čerpadlu.
- Dobře utěsněte veškeré spoje a kryt čerpadla pero zamezení možným vniknutím vody do motoru, který by se tím mohl poškodit.

## Testy před spuštěním čerpadla

Před spuštěním čerpadla proveďte následující operace:

- Zkontrolujte, zda napájení a kmitočet odpovídají údajům na štítku čerpadla.
- Před spuštěním naplňte čerpadlo vodou.

- Zkontrolujte, zda síťové napětí a kmitočet odpovídají údajům na štítku čerpadla.
- Čerpadlo může běžet nepřetržitě.

## **Spuštění čerpadla**

Čerpadlo spouštějte jen tehdy, pokud jsou k příslušným otvorům připojeny přívodní a vypouštěcí trubky. Zkontrolujte, zda jsou trubky volně průchodné.

## **Údržba a čištění**

- Vaše nové čerpadlo nevyžaduje speciální nebo pravidelnou údržbu. V případě delší doby nepoužívání doporučujeme čerpadlo demontovat, vyčistit a uložit na suchém a dobře větraném místě.
- Pokud se elektrický kabel poškodí, musí ho vyměnit výrobce, jeho zástupce nebo jiná kvalifikovaná osoba pro zamezení nebezpečí.
- Čerpadlo pravidelně čistěte a odstraňujte nečistoty z filtru, aby se přívodní trubka neucpala a

## **nepoškodila čerpadlo.**

- Součásti čerpadla podléhající opotřebení se musí pravidelně vyměňovat, aby se zachoval dobrý výkon čerpadla.
- Při pravidelné kontrole:
  - Zkontrolujte pevnost mechanických spojů a stav opěrných šroubů čerpadla.
  - Zkontrolujte správnou polohu, zajištění a stav elektrických vodičů a izolace.

Zkontrolujte teplotu čerpadla a elektromotoru. V případě poruchy ihned zastavte čerpadlo a kontaktujte nejbližší servis.

- Sledujte vibrace zařízení. V případě poruchy ihned zastavte čerpadlo a kontaktujte nejbližší servis.

Příznaky	Příčiny	Řešení
Čerpadlo nefunguje	Není elektrické napájení	Není elektrické napájení. Pomocí jiného zařízení zkontrolujte zásuvku a zkratové vypínače.
	Došlo ke zkratu	Zkontrolujte a v případě potřeby vyměňte zkratové vypínače.
	Automatický limitní spínač teploty se aktivoval a vypnul čerpadlo pro jeho ochranu.	Vypněte napájení a nechte čerpadlo před novým spuštěním vychladnout. Zkontrolujte, zda mají čerpadlo a motor kolem sebe dost prostoru na větrání. Zkontrolujte, zda není čerpadlo ucpané nečistotami a motor se může volně otáčet.
	Motor se spálil proudovým přetížením nebo zaplavením vodou	Může být potřeba motor vyměnit.
Čerpadlo má snížený nebo nulový průtok	Čerpadlo je ucpané (zkontrolujte, zda se motor volně otáčí)	Zablokování čerpadla nebo koše
	Ventil je zavřený	Zkontrolujte systém a ověřte, zda jsou ventily ve správné poloze pro filtrování, včetně vstupního a výstupního ventilu čerpadla.
	Filtr je plný nečistot	Vyčistěte filtr
	Vzduch v systému	Spusťte čerpadlo (viz postup spouštění). Zkontrolujte, zda trubkami nebo na spojích neuniká nasávaný vzduch. Zkontrolujte, zda je víko koše uzavřeno a hermeticky utěsněno. Zkontrolujte, zda pod čerpadlem není voda.
	Nedostatek vody	Zkontrolujte, zda je hladina alespoň na úrovni sběrače.
	Nečistoty v čerpadle nebo sběrači. (Poznámka: Nespouštějte čerpadlo bez správně smontovaného čerpadla nebo koše sběrače.)	Kontrolujte, zda není čerpadlo nebo koš sběrače plný špíny. Dbejte, aby nebyl vstupní a výstupní otvor čerpadla zablokovaný a v čerpadle nebyly cizí předměty.
Únik mezi pouzdem čerpadla a motorem	Šrouby krytu nejsou dotažené. Opatřované vodotěsné nebo kovové těsnění.	Odstavte čerpadlo a povolte šrouby, zkontrolujte stav těsnění a vyměňte ho v případě potřeby, pak dotáhněte znovu šrouby.
Kryt před-filtru	Kryt není správně uzavřen	Zkontrolujte, zda víko správně přitlačuje těsnící o-kroužek.

## BEZPEČNOSTNÉ POKYNY. ČÍTAJTE POZORNE



- Naše čerpadlá možno montovať a inštalovať iba v bazénoch, ktoré spĺňajú normy IEC/HD 60364-7-702 a požadované národné predpisy. Inštalácia by mala spĺňať normu IEC/HD 60364-7-702 a požadované národné pravidlá pre bazény. Ďalšie informácie Vám poskytne váš miestny predajca..
- Čerpadlo nesmie byť inštalované v Zóne 0 (Z0) a Zóne 1 (Z1). Ak chcete vidieť výkresy, pozrite si stranu 61, 62 a 63.
- Elektrickú inštaláciu by mal vykonávať odborný personál kvalifikovaný v elektrických inštaláciách.
- Počas používania bazéna nesmie byť prístroj zapnutý.
- Nepoužívajte prístroj, pokiaľ nie je správne naplnený.
- NIKDY sa nedotýkajte prístroja, keď je v prevádzke, ak ste mokrý alebo máte mokré ruky.
- Pri manipulácii s čerpadlom ODPOJTE napájanie.
- Pred kontaktom s elektrickým zariadením sa uistite, že zem je suchá.
- Neinštalujte prístroj tam, kde by mohol byť vlhký, pretože by to mohlo spôsobiť úraz elektrickým prúdom.
- Toto zariadenie nie je určené na to, aby ho používali osoby (vrátane detí) so zníženými fyzickými, zmyslovými alebo duševnými schopnosťami alebo s nedostatkom skúseností a znalostí, pokiaľ na nich osoba, ktorá je za nich zodpovedná, nedávala pozor alebo pokiaľ im nedávala pokyny. Deti by mali byť pod dozorom, aby sa zabezpečilo, že sa nebudú hrať so zariadením.
- Toto zariadenie môžu používať deti vo veku od 8 rokov a staršie a osoby so zníženými fyzickými, zmyslovými alebo duševnými schopnosťami alebo nedostatkom skúseností a znalostí, ak sú pod dohľadom, alebo sú poučené o používaní zariadenia bezpečným spôsobom a rozumejú možnému nebezpečenstvu. Deti sa nesmú hrať so zariadením. Deti nesmú bez dozoru vykonávať čistenie alebo údržbu zariadenia.
- Ak je napájací kábel prístroja poškodený, mal by sa vymeniť. Pozorne si prečítajte pokyny na jeho výmenu. V prípade pochybností kontaktujte technickú službu

Tento režim umožňuje vykonať správnu inštaláciu vášho bazénového čerpadla s optimálnymi výsledkami. Pozorne si prečítajte tento návod na obsluhu.

Vaše nové čerpadlo je jednostupňové samonasávacie, odstredivé čerpadlo, navrhnuté na použitie s bazénovým filtračným systémom. Je navrhnutý na použitie s čistou vodou pri teplotách medzi 5 °C a 35 °C. Je vyrobený z vysokokvalitných materiálov, ktoré podliehajú striktným hydraulickým a elektrickým skúškam. Správna inštalácia tohto čerpadla je zabezpečená dodržiavaním pokynov z tohto návodu. Odmietame akúkoľvek zodpovednosť za škody spôsobené iným použitím, ako je vysvetlené v tomto návode na použitie.

### DÔLEŽITÉ

Táto príručka obsahuje základné informácie o bezpečnostných opatreniach, ktoré je potrebné prijať počas inštalácie a uvedenia do prevádzky. Montér a používateľ si preto musia pred inštaláciou a uvedením do prevádzky prečítať pokyny.

### VŠEOBECNÉ BEZPEČNOSTNÉ PREDPISY

- Stroje uvedené v tomto návode sú určené predovšetkým na predfiltráciu a recirkuláciu vody v bazénoch

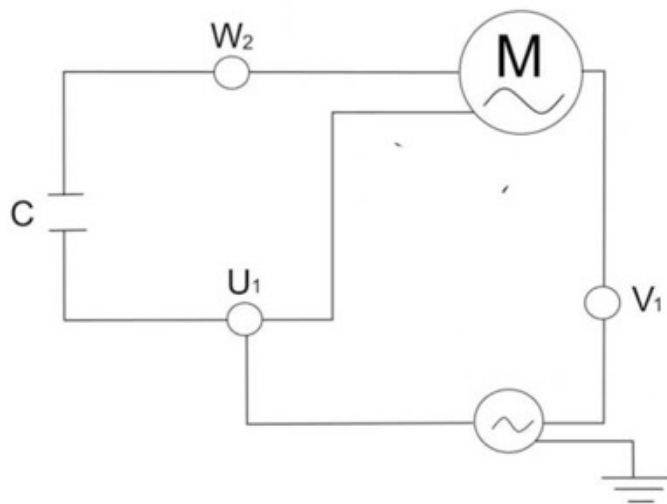
- Nainštalujte ich v súlade so špecifickými pokynmi pre každú inštaláciu
- Všetky úpravy čerpadla si vyžadujú predchádzajúce povolenie výrobcu. Vyššiu bezpečnosť zaisťujú originálne náhradné diely a príslušenstvo schválené výrobcom. Výrobca čerpadla je vyňatý z akejkolvek zodpovednosti za škody spôsobené neoprávnenými náhradnými dielmi alebo príslušenstvom.
- Pri prácach na každom stroji alebo na jednotkách, ktoré sú s ním spojené, odpojte jednotku od napájacieho zdroja a spúšťacích zariadení, pretože elektrické časti čerpadla sú počas prevádzky pod napätím.
- Všetky montážne a údržbárske práce musí vykonať kvalifikovaný a autorizovaný personál, ktorý si pozorne prečítal návod na inštaláciu a servis.
- Aby ste zaručili bezpečnosť pri obsluhu stroja, musíte dodržiavať tie, ktoré sú uvedené v pokynoch na inštaláciu a servis.
- V prípade chybnnej činnosti alebo porúch sa obráťte na svojho dodávateľa alebo najbližšieho zástupcu.
- Ak je napájací kábel poškodený, mal by ho vymeniť výrobca a jeho popredajný servis kvalifikovaných technikov, aby sa predišlo nebezpečenstvám.
- Zariadenie by malo byť pripojené k elektrickej zásuvke s uzemnením, chránené prúdovým chráničom, ktorý nepresahuje 30 mA.
- Uistite sa, že do motora alebo do elektrických častí pod napätím nebude môcť vniknúť voda.
- Počas chodu stroja alebo pred úplným zastavením stroja sa vyvarujte kontaktu s pohyblivými časťami stroja
- Pred manipuláciou počkajte, kým sa stroj úplne nezastaví.
- Pred akoukoľvek elektrickou alebo mechanickou údržbou odpojte zariadenie od napájania a zablokujte štartovacie zariadenia.
- Aby sa znížilo riziko poranenia, deti by nemali používať tento výrobok.
- Nezakopávajte o elektrický kábel. Kábel položte tak, aby sa nemohol poškodiť strojmi, napríklad kosačkami, atď.
- Neštartujte čerpadlo, kým nie je správne pripojené k bazénu.
- Ak je elektrický kábel poškodený, okamžite ho vymeňte, aby ste znížili riziko úrazu elektrickým prúdom.
- Aby ste znížili riziko úrazu elektrickým prúdom, nepoužívajte predlžovacie káble na pripojenie čerpadla k zdroju napájania. Pripojte ho k správne nainštalovanej elektrickej zásuvke.
- Nepoužívajte čerpadlo bez vody!

## INŠTALÁCIA

- Inštaláciu čerpadla a jeho kabeláže by mal vykonávať iba autorizovaný a kvalifikovaný personál, a to v súlade s platnou legislatívou.
- Čerpadlo by malo byť nainštalované vodorovne, jeho priskrutkovaním k podpere, aby sa zabránilo vibráciám a nežiaducemu hluku.
- Čerpadlo by malo byť inštalované ďaleko od akýchkoľvek korozívnych alebo horľavých produktov.
- Čerpadlo by malo mať dostatočný odtok, aby sa zabránilo riziku zaplavenia, a malo by byť chránené pred nadmernou vlhkosťou.
- Namontujte nezávislé prírodné a výstupné ventily vody.
- Ponechajte dostatočný prístupový priestor pre údržbu čerpadla a uistite sa, že je viditeľný technický štítok čerpadla.
- Počas inštalácie čerpadla ho umiestnite tak, aby bol okolo neho 1 meter voľného priestoru.

## ELEKTRICKÁ INŠTALÁCIA

- Pred pripojením k sieti položte motor na podlahu. V opačnom prípade by motor mohol spôsobiť vážny až smrteľný úraz elektrickým prúdom. Neumiestňujte ho na podlahu nad plynové potrubie.
- Pred prácou na elektrických prípojkách odpojte napájanie motora, aby nedošlo k smrteľnému úrazu elektrickým prúdom.
- Ak dôjde k skratu, bude to znamenať, že došlo k problému s elektrinou. Ak dôjde k skratu a nebude sa dať znovu spustiť, požiadajte kvalifikovaného elektrikára, aby overil a opravil elektrický systém.
- Čerpadlo pripojte k zdroju striedavého prúdu a uzemňovacej prípojke chránenej prúdovým chráničom (RCD), s menovitým zvyškovým prevádzkovým prúdom nepresahujúcim 30 mA.
- Nevhodné sieťové pripojenie predstavuje riziko úrazu elektrickým prúdom.
- Napájací zdroj by mal presne zodpovedať napätiu uvedenému na štítku motora. Nesprávne napätie by mohlo spôsobiť požiar alebo poškodenie motora a mať za následok stratu platnosti záruky. V prípade pochybností sa obráťte na elektrikára.
- Elektrický kábel je súčasťou dodávky a je dodávaný s pripojením „Y“. Ak je potrebné vymeniť elektrický kábel, nový kábel by tiež mal byť príslušného typu. Záruka bude zrušená v prípade akejkoľvek neoprávnenej úpravy komponentov.
- Elektrická inštalácia musí byť v súlade s platnou legislatívou.
- Ak je elektrický kábel poškodený, mal by ho vymeniť výrobca, jeho zástupca alebo iná kvalifikovaná osoba, aby nedošlo k jeho poškodeniu.
- Čerpadlo je vybavené úplnou tepelnou ochranou. Pre správnu elektrickú inštaláciu postupujte podľa nasledujúceho montážneho diagramu.



- Elektrickú inštaláciu by mala vykonávať osoba odborne spôsobilá na prácu s elektrickými zariadeniami. Toto zariadenie nie je navrhnuté na používanie deťmi, telesne postihnutými osobami alebo osobami so zníženými zmyslovými alebo psychologickými schopnosťami alebo osobami bez skúseností alebo znalostí tohto zariadenia, pokiaľ ich nemajú na starosti osoby zodpovedné za bezpečnosť a predtým im neposkytli pokyny na zaobchádzanie so zariadením.
- Nedovoľte, aby si deti alebo dospelí sadali na zariadenie alebo sa oň opierali. Deti by mali byť pod dozorom, aby sa zabezpečilo, že sa s prístrojom nebudú hrať.
- Hodnotu tepelného relé primerane upravte v závislosti od prúdu čerpadla.
- Nevhodné sieťové pripojenie predstavuje riziko zásahu elektrickým prúdom

## Montáž rúr

- Rúry by mali byť namontované pred a za čerpadlom a mali by mať priemer rovnaký alebo vyšší ako priemer na vstupe čerpadla. Aby ste sa vyhli strate trením, vždy použijte

- vajte PVC rúrku s minimálnym priemerom 50 mm. Pre väčšie rúry zväčšite priemer.
- Sacie a výtlačné rúry by nikdy nemali zostať spojené s čerpadlom.
  - Dobre utesnite všetky prípojky a kryt čerpadla, aby ste zabránili možným únikom vody do motora, ktorý by ho mohol poškodiť.

### **Skúšky pred spustením čerpadla**

Pred spustením čerpadla vykonajte nasledujúce činnosti:

- Skontrolujte, či napájací zdroj a jeho frekvencia zodpovedajú údajom na štítku s parametrami čerpadla.
- Pred spustením čerpadla ho naplňte vodou na samonasávanie čerpadla.
- Skontrolujte, či sieťové napätie a frekvencia zodpovedajú údajom uvedeným na štítku s charakteristikami čerpadla
- Čerpadlo môže nepretržite pracovať.

Spustenie čerpadla

Spustite čerpadlo, až keď sú sacie a výtlačné rúry pripojené k vstupu a výstupu čerpadla. Skontrolujte, či v potrubí nie sú prekážky.

### **Údržba a čistenie**

- Vaše nové čerpadlo nepotrebuje nijakú špecifickú ani programovanú údržbu. Ak sa čerpadlo po určitú dobu nepoužíva, odporúčame ho demontovať a vyčistiť, aby bolo uskladnené na suchom a dobre vetranom mieste.
- Ak je elektrický kábel poškodený, mal by ho vymeniť výrobca, jeho zástupca alebo iná kvalifikovaná osoba, ktorá zabráni, aby sa predišlo nebezpečenstvu.
- Čerpadlo pravidelne čistite a odstraňte z filtra všetky nečistoty, aby nedošlo k zablokovaniu prívodného potrubia alebo

### **k poškodeniu čerpadla.**

- Súčasti čerpadla, ktoré v dôsledku bežného používania podliehajú opotrebovaniu, sa musia pravidelne vymieňať, aby sa zabezpečil dobrý výkon čerpadla.
  - Pre pravidelnú kontrolu:
    - Skontrolujte pevné utiahnutie mechanických častí a stav skrutiek, ktoré podopierajú stroj.
    - Skontrolujte, či sú silové vodiče a izolačné časti v správnej polohe, bezpečné a v dobrom stave.
- Skontrolujte teplotu stroja a elektromotora. V prípade poruchy stroj okamžite zastavte a kontaktujte najbližšiu technickú asistenčnú službu.
- Skontrolujte vibrácie stroja. V prípade poruchy stroj okamžite zastavte a kontaktujte najbližšiu technickú pomoc



Príznaky	Príčiny	Riešenie
Čerpadlo nefunguje	Nie je napájanie	Na kontrolu elektrickej zásuvky a skratových spínačov použite iné funkčné zariadenie
	Došlo k skratu	Skontrolujte skratové spínače, prípadne ich vymeňte
	Na ochranu sa aktivoval automatický tepelný vypínač čerpadla.	Pred opätovným spustením čerpadla prerušte napájanie a nechajte ho vychladnúť. Uistite sa, aby čerpadlo a motor mali dostatočný vetrací priestor. Dbajte na to, aby čerpadlo nebolo zablokované nečistotami a aby sa motor mohol voľne otáčať
	Motor zhorel v dôsledku preťaženia napájacieho zdroja alebo zaplavenia	Možno budete musieť vymeniť motor.
Čerpadlo pracuje so zníženým alebo so žiadnym prietokom	Čerpadlo je zablokované (skontrolujte, či sa motor voľne otáča)	Blokovanie v čerpadle alebo v koši
	Ventily sú zablokované	Skontrolujte systém a ubezpečte sa, že ventily sú v správnej polohe na filtrovanie, vrátane vstupných a výstupných ventilov čerpadla.
	Filter je plný nečistôt	Vyčistite filter
	Vzduch v systéme	Naštartujte čerpadlo (pozri postup štartovania). Skontrolujte, či v potrubí alebo v spojoch nedochádza k úniku sacieho vzduchu. Uistite sa, či je veko koša dobre zatvorené a hermeticky uzavreté. Skontrolujte, či pod čerpadlom nie sú netesnosti.
	Nedostatok vody	Uistite sa, že hladina vody je minimálne vo výške zberača.
	Nečistoty v čerpadle alebo v zberači. (Poznámka: Neuvádzajte čerpadlo do činnosti bez správne namontovaného čerpadla alebo koša zberača.	Uistite sa, že čerpadlo alebo koše zberača nie sú plné nečistôt. Uistite sa, že na vstupe alebo výstupe z čerpadla nie je upchatie alebo či v čerpadle nie sú cudzie predmety.
Únik medzi plášťom čerpadla a motorom.	Skrutky plášťa nie sú utiahnuté. Vodotesné alebo kovové tesnenie je opotrebované.	Odpojte čerpadlo a uvoľnite skrutky, pred utiahnutím skrutiek skontrolujte zarovnanie a stav vodotesných tesnení, prípadne ich vymeňte.
Kryt predfiltra	Kryt nie je správne zatvorený	-Uistite sa, že veko správne stláča tesnenie O-krúžku.

### INSTRUCIUNI DE SIGURANTA. CITIȚI CU ATENȚIE



- Pompele noastre pot fi asamblate și instalate în piscine conform standardelor IEC/HD 60364-7-702 și reglementărilor naționale aplicabil. Instalarea trebuie să respecte standardul IEC/HD 60364-7-702 și reglementărilor naționale aplicabile piscinelor. Pentru mai multe informații, consultați-vă cu dealerul dumneavoastră local.
- Pompa nu poate fi instalată în Zona 0 (Z0) sau în Zona 1 (Z1). Pentru a vedea desenele, consultați pagina 61, 62 și 63.
- Instalația electrică trebuie efectuată de personal profesionist calificat în instalații electrice.
- Aparatul nu trebuie să fie pornit în timpul utilizării piscinei.
- Nu folosiți aparatul decât dacă este pregătit corespunzător.
- NU atingeți NICIODATĂ aparatul când funcționează dacă sunteți umed sau dacă aveți mâinile umede.
- Când manevrați pompa, DECONECTAȚI sursa de alimentare.
- Asigurați-vă că pământul este uscat înainte de a atinge echipamentul electric.
- Nu instalați aparatul acolo unde ar putea fi ud, deoarece poate provoca electrocutare.
- Acest aparat nu este destinat utilizării de către persoane (inclusiv copii) cu capacități fizice, senzoriale sau mentale reduse sau cărora le lipsesc experiența sau cunoștințele, cu excepția cazurilor în care li se asigură supraveghere sau instrucțiuni referitoare la utilizarea aparatului, de către o persoană răspunzătoare cu siguranța acestora. Copiii trebuie să fie supravegheați să nu se joace cu aparatul.
- Acest aparat poate fi folosit de copii de vârsta de 8 ani și mai mult și de persoane cu capacități fizice, sau mentale reduse sau cărora le lipsesc experiența sau cunoștințele, dacă acestora li se asigură supravegherea sau li se dau instrucțiuni privind utilizarea în siguranță a aparatului și înțelegerea pericolelor existente. Copiii nu trebuie să se joace cu aparatul. Curățarea și întreținerea de către utilizator nu trebuie efectuate de copii fără a fi supravegheați.
- Dacă dispozitivul de alimentare al aparatului este deteriorat, acesta trebuie înlocuit. Citiți cu atenție instrucțiunile pentru a le înlocui. Dacă aveți dubii, contactați serviciul tehnic.

Acest mod permite realizarea unei instalări corecte cu rezultate optime ale pompei de piscină. Citiți cu atenție acest manual de instrucțiuni.

Noua dvs. pompă este o pompă centrifugă cu autoamorsare într-o etapă, concepută pentru a fi utilizată cu un sistem de filtrare a piscinei. Este proiectat pentru a fi utilizat cu apă curată la temperaturi cuprinse între 5 °C și 35 °C. Este fabricat din materiale de înaltă calitate supuse unor teste hidraulice și electrice stricte. O instalare corectă a acestei pompe este asigurată urmând instrucțiunile din acest manual. Declinăm orice responsabilitate pentru daunele cauzate de utilizarea diferită de cea explicată în acest manual de instrucțiuni.

### IMPORTANT

Acest manual conține informații de bază despre măsurile de siguranță care trebuie adoptate în timpul instalării și pornirii. Montatorul și utilizatorul trebuie, prin urmare, să citească instrucțiunile înainte de instalare și pornire.

### REGULAMENTE GENERALE DE SIGURANȚĂ

- Mașinile indicate în acest manual sunt special concepute pentru pre-filtrarea și recircularea apei în piscine.
- Instalați-le în conformitate cu instrucțiunile specifice pentru fiecare instalare.

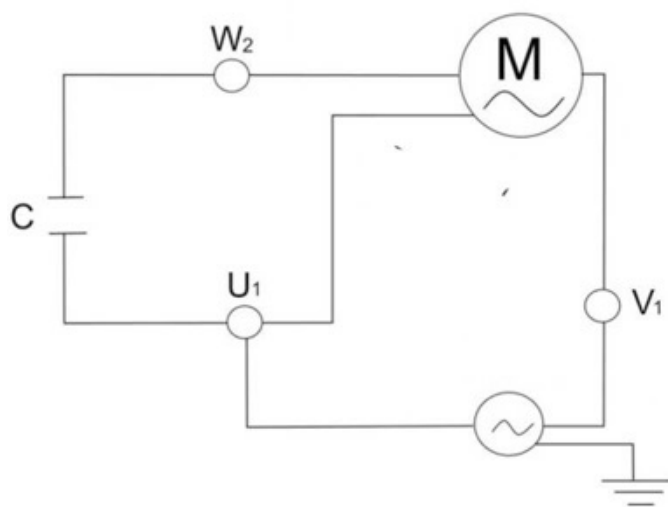
- Toate modificările aduse pompei necesită autorizarea prealabilă a producătorului. Piese de schimb originale și accesoriile autorizate de producător asigură o siguranță mai mare. Producătorul pompei este scutit de orice răspundere cu privire la orice daune cauzate de piese de schimb sau accesorii neautorizate.
- Când lucrați la fiecare mașină sau la unitățile conectate la acestea, deconectați unitatea de la sursa de alimentare și de la dispozitivele de pornire, deoarece componentele electrice ale pompei sunt active în timpul funcționării.
- Toate lucrările de asamblare și întreținere trebuie efectuate de personal calificat și autorizat care a citit cu atenție instrucțiunile de instalare și service.
- Pentru a garanta siguranța la operarea mașinii, trebuie să respectați cele stabilite în instrucțiunile de instalare și service.
- În caz de funcționare defectuoasă sau defecte, contactați furnizorul dumneavoastră sau cel mai apropiat reprezentant. • În cazul în care cablul de alimentare este deteriorat, producătorul, serviciul său post-vânzare de tehnicieni calificați, ar trebui să îl înlocuiască pentru a evita pericolele. • Dispozitivul trebuie să fie conectat la priza electrică cu conexiune la pământ, protejat de un întrerupător de curent rezidual care nu depășește 30 mA.
- Asigurați-vă că apa nu poate intra în motor sau în componentele electrice sub tensiune.
- Evitați contactul permanent - chiar și accidental - cu piesele în mișcare ale mașinii în timp ce mașina funcționează și / sau înainte ca aceasta să se oprească complet.
- Așteptați ca mașina să se oprească înainte de a o manipula.
- Înainte de orice operațiune de întreținere electrică sau mecanică, deconectați unitatea de la sursa de alimentare și blocați dispozitivele de pornire.
- Pentru a reduce riscul de rănire, copiii nu trebuie să utilizeze acest produs.
- Nu îngropați cablul electric. Așezați cablul astfel încât să nu poată fi deteriorat de mașini, cum ar fi mașinile de tuns, etc.
- Nu porniți pompa înainte de a fi conectată corect la piscină.
- Pentru a reduce riscul de electrocutare, schimbați cablul electric imediat când este deteriorat.
- Pentru a reduce riscurile de electrocutare, nu utilizați cabluri prelungitoare pentru a conecta pompa la o sursă de alimentare. Conectați-l la o priză de electricitate instalată corect.
- Nu folosiți pompa fără apă!

## **INSTALARE**

- Doar personalul autorizat și calificat trebuie să instaleze pompa și cablurile acesteia, respectând legislația actuală.
- Pompa trebuie instalată orizontal, înșurubând-o pe suport, pentru a evita vibrațiile și zgomotul nedorit.
- Pompa trebuie instalată departe de orice produs coroziv sau inflamabil.
- Pompa trebuie să aibă un drenaj suficient pentru a evita riscul de inundații și trebuie protejată de umiditate excesivă.
- Instalați supape independente de intrare și ieșire a apei.
- Lăsați suficient spațiu de acces pentru întreținerea pompei și asigurați-vă că placa tehnică a pompei este vizibilă.
- În timpul instalării pompei, poziționați-o astfel încât să existe 1 metru de spațiu liber în jurul ei.

## INSTALAȚIE ELECTRICĂ

- Așezați motorul pe podea înainte de a-l conecta la rețea. În caz contrar, motorul ar putea provoca un șoc electric grav și chiar mortal. Nu-l așezați pe podea deasupra unei conducte de gaz.
- Pentru a evita un șoc electric periculos sau mortal, deconectați sursa de alimentare a motorului înainte de a lucra la conexiunile electrice.
- Dacă scurtcircuitază, acest lucru va indica existența unei probleme de electricitate. Dacă acesta se scurtcircuită și nu poate fi repornit, cereți unui electrician calificat să verifice și să repare sistemul electric.
- Conectați pompa la o sursă de curent alternativ și o conexiune de împământare, protejată de un dispozitiv pentru curenți reziduali (RCD), cu un curent rezidual nominal care să nu depășească 30 mA.
- Conexiunile de rețea necorespunzătoare implică riscul de electrocutare.
- Alimentarea cu energie electrică trebuie să corespundă exact tensiunii indicate pe placa motorului. O tensiune incorectă poate provoca un incendiu și / sau deteriora motorul și ar putea anula garanția. În caz de îndoială, consultați un electrician.
- Cablul electric este inclus și vine cu o conexiune „Y”. Dacă este necesar să înlocuiți cablul electric, noul cablu ar trebui să fie, de asemenea, de tipul corespunzător. Garanția va fi anulată în cazul oricărei modificări neautorizate a componentelor.
- Instalația electrică trebuie să fie conformă legislației în vigoare.
- Dacă cablul electric este deteriorat, producătorul, agentul acestuia sau orice altă persoană calificată ar trebui să îl înlocuiască pentru a evita orice deteriorare.
- Pompa este echipată cu protecție termică completă. Urmați schema de asamblare de mai jos pentru instalarea electrică corectă.



- Instalarea electrică trebuie făcută de către o persoană calificată în lucrul cu echipamente electrice. Acest dispozitiv nu este conceput pentru a fi utilizat de copii, de persoane cu dizabilități fizice sau de persoane cu capacitate senzorială sau psihologică redusă sau de persoane fără experiență sau cunoștințe despre dispozitiv, cu excepția cazului în care o persoană responsabilă de siguranță este responsabilă de îngrijirea lor și le oferă instrucțiunile anterioare pentru manipularea dispozitivului. Nu permiteți copiilor și adulților să stea sau să se sprijine pe echipament. Copiii trebuie supravegheați pentru a se asigura că nu se joacă cu echipamentul.
- Reglați corect valoarea releului termic în funcție de curentul pompei.
- Conexiunile de rețea necorespunzătoare implică riscul de electrocutare

## Asamblarea conductelor

- Țevile trebuie asamblate înainte și după pompă și trebuie să aibă diametre egale cu cele de la intrarea pompei.
- Conductele de aspirație și expulzare nu trebuie să rămână niciodată conectate la pompă.
- Etanșați bine toate racordurile și capacul pompei pentru a evita eventualele scurgeri de apă în motor, care l-ar putea deteriora.

## Teste înainte de pornirea pompei

Efectuați următoarele operațiuni înainte de a porni pompa:

- Verificați dacă sursa de alimentare, precum și frecvența acesteia, corespund informațiilor de pe placa de specificații a pompei.
- Înainte de a porni pompa, umpleți-o cu apă pentru autoamorsarea pompei.
- Verificați dacă tensiunea și frecvența de rețea corespund cu cele indicate pe placa de caracteristici a pompei.
- Pompa poate funcționa continuu.

## Pornirea pompei

Porniți pompa numai atunci când tuburile de aspirație și expulzare sunt conectate la intrarea și ieșirea pompei. Verificați dacă nu există obstacole în conducte.

## Întreținere și curățare

- Noua dvs. pompă nu are nevoie de nicio întreținere specifică sau programată. În cazul în care pompa nu este utilizată într-un timp, vă recomandăm să o demontați și să o curățați pentru a fi păstrată într-un loc uscat și bine aerisit.
- Dacă cablul electric este deteriorat, producătorul, agentul acestuia sau orice altă persoană calificată pentru a evita orice pericol ar trebui să îl înlocuiască pentru a evita orice pericole.
- Curățați periodic pompa, îndepărtând orice murdărie din filer, astfel încât conducta de admisie să nu fie blocată sau pompa să fie deteriorată.
- Componentele pompei care, datorită utilizării lor normale, suferă uzură și/sau rupere, trebuie înlocuite periodic pentru a asigura o performanță bună a pompei.
- Pentru control regulat:
- Verificați dacă piesele mecanice sunt bine fixate și verificați starea șuruburilor care susțin mașina.
- Verificați dacă conductoarele de putere și piesele de izolare sunt în poziția corectă, sunt sigure și într-o stare bună de reparație. Verificați temperatura mașinii și a motorului electric. În cazul unei defecțiuni, opriți imediat mașina și contactați cel mai apropiat serviciu de asistență tehnică.
- Verificați vibrațiile mașinii. În cazul unei defecțiuni, opriți imediat mașina și contactați cea mai apropiată asistență tehnică.

Simptome	Cauze	Soluție
Pompa nu funcționează	Nu există alimentare cu energie electrică	Utilizați un alt dispozitiv care funcționează pentru a verifica priza de curent și pentru a verifica întrerupătoarele de scurtcircuit
	S-a scurtcircuitat	Verificați întrerupătoarele de scurtcircuit și înlocuiți-le dacă este necesar
	Tăierea termică automată pompa s-a activat pentru a o proteja.	Tăiați sursa de alimentare și lăsați-o să se răcească înainte de a reporni pompa. Asigurați-vă că pompa și motorul au suficient spațiu de ventilație. Asigurați-vă că pompa nu este obstrucționată de murdărie și că motorul se poate roti liber
	Motorul s-a ars din cauza unei suprasolicitări a sursei de alimentare sau a inundațiilor.	Este posibil să fie necesar să schimbați motorul.
Pompa funcționează cu debit redus sau deloc	Pompa este blocată (verificați dacă motorul se deplasează liber)	Blocarea pompei sau a coșului
	Supapele sunt închise	Verificați sistemul pentru a vă asigura că supapele sunt în poziția corectă pentru filtrare, inclusiv supapele de intrare și ieșire ale pompei.
	Filtrul este plin de murdărie	Curățați filtrul
	Aer în sistem	Porniți pompa (consultați procedura de pornire). Verificați dacă nu există scurgeri de aer de aspirație în conducte sau în conexiuni. Asigurați-vă că capacul coșului este bine închis și sigilat ermetic. Verificați dacă nu există scurgeri sub pompă.
	Lipsa apei	Asigurați-vă că nivelul apei este cel puțin la înălțimea skimmerului.
	Murdărie în pompă sau în skimmer. (Notă: Nu faceți pompa să funcționeze fără a fi montate corect pompa sau coșul de skimmer.	Asigurați-vă că pompa sau coșurile de skimmer nu sunt pline de murdărie. Asigurați-vă că nu există blocaje la intrarea sau ieșirea pompei sau asigurați-vă că există nu există obiecte străine în pompă.
Scurgere între carcasa pompei și motor.	Șuruburile carcasei nu sunt strânse. Garnitura etanșă sau metalică este uzată.	Decupați pompa și slăbiți șuruburile, verificați alinierea și starea garniturilor etanșe la apă înainte de a strânge șuruburile, înlocuiți garniturile dacă este necesar
Capacul prefiltrării	Capacul nu este închis corect	- Asigurați-vă că capacul comprimă corect garnitura cu O ring.



(3) Manufacturer	(4) Code	(1) Rated efficiency		(2) Efficiency level (IE)	(5) Number of poles	(7), (8), (10) Power supply	(6) P <sub>2N</sub> (kW)	(9) r.p.m.	(11)(a) Altitude above sea level	(11)(b) Ambient Tmin. ~ Tmax.	
		η (100%)	η (75%)								η (50%)
		Leo Group Pump(Zhejiang) Co.,Ltd.	YY2-56-44-2 YY2-56-50-2 YY2-56-54-2 YY2-71-50-2 YY2-71-68-2 YY2-71-85-2 YY2-80-105-2								58.1% 60.8% 65.5% 69.1% 72.0% 77.8% 80.0%

(\*)+/-10%

FR	Fabricant	Code	Rendement nominal	Classe de rendement (IE)	Nombre de pôles	Alimentation électrique	P <sub>2N</sub> (kW)	r.p.m.	Altitude au-dessus du niveau de la mer	Temp. ambiante min. ~ max.
ES	Fabricante	Código	Eficiencia nominal	Nivel de eficiencia (IE)	Número de polos	Fuente de alimentación	P <sub>2N</sub> (kW)	r.p.m.	Altitud sobre el nivel del mar	Tmin. ~ Tmáx. aire ambiente
IT	Fabbricante	Codice	Efficienza nominale	Livello di efficienza (IE)	Numero di poli	Alimentazione elettrica	P <sub>2N</sub> (kW)	Giri/min	Altitudine sul livello del mare	Temp. ambiente min. ~ max.
DE	Hersteller	Code	Nenn-Wirkungsgrad	Wirkungsgrad (IE)	Polzahl	Stromversorgung	P <sub>2N</sub> (kW)	rpm	Höhe über dem Meeresspiegel	Umgebung Tmin. ~ Tmax.
NL	Fabrikant	Code	Nominale efficiëntie	Efficiëntie-niveau (IE)	Aantal polen	Stroomtoevoer	P <sub>2N</sub> (kW)	r.p.m.	Hoogte boven de zeespiegel	Omgevingstemp. Tmin. ~ Tmax.
PT	Fabricante	Código	Eficiência classificada	Nível de eficiência (IE)	Número de polos	Fonte de alimentação	P <sub>2N</sub> (kW)	r.p.m.	Altitude acima do nível do mar	T Amb. mín. ~ T Amb. máx.
PL	Producent	Kod	Sprawność znamionowa	Poziom sprawności (IE)	Liczba biegunów	Zasilanie	P <sub>2N</sub> (kW)	obr./min	Wysokość nad poziomem morza	Temperatura otoczenia min. ~ maks.
CS	Výrobce	Code	Jmenovitá účinnost	Stupeň účinnosti	Počet pólů	Napájení	P <sub>2N</sub> (kW)	r.p.m.	Nadmořská výška	Vnější teplota Tmin. ~ Tmax.
SK	Výrobca	Označenie	Menovitá účinnosť	Stupeň účinnosti	Počet pólov	Napájanie	P <sub>2N</sub> (kW)	r.p.m.	Nadmorská výška	Vonkajšia teplota Tmin. ~ Tmax.
RO	Producător	Cod	Eficiență nominală	Nivel de eficiență (IE)	Număr de poli	Alimentare electrică	P <sub>2N</sub> (kW)	r.p.m.	Altitudine deasupra nivelului mării	Ambient Tmin. ~ Tmax.
SV	Tillverkare	Kod	Nominell verkningsgrad	Effektivitetsnivå (IE)	Antal poler	Strömförsörjning	P <sub>2N</sub> (kW)	r.p.m.	Höjd över havsytan	Omgivningstemperatur Tmin. ~ Tmax.



**(EN) THE PUMP MUST NOT BE INSTALLED:**

- In an area susceptible to rainfall and splashing.
- Near a heat source or source of inflammable gas.
- In an area that cannot be cleaned or kept free of leaves, dry vegetation and other inflammable items.
- In Zone 0 (Z0) and Zone 1 (Z1) (FIGURE 3).

**(ES) LA BOMBA NO DEBE INSTALARSE**

- En una zona expuesta a precipitaciones y salpicaduras.
- Cerca de una fuente de calor o de gas inflamable.
- En una zona que no pueda limpiarse o mantenerse libre de hojas, vegetación seca y otros elementos inflamables.
- En la Zona 0 (Z0) y la Zona 1 (Z1) (FIGURA 3).

**(FR) LA POMPE NE DOIT PAS ÊTRE INSTALLÉE**

- Dans une zone exposée à la pluie et aux éclaboussures.
- Près d'une source de chaleur ou d'une source de gaz inflammable.
- Dans une zone qui ne peut pas être nettoyée ou maintenue exempte de feuilles, de végétation sèche et d'autres éléments inflammables.
- Dans la zone 0 (Z0) et la zone 1 (Z1) (FIGURE 3).

**(DE) DARF DIE PUMPE NICHT INSTALLIERT WERDEN:**

- In einem Bereich, der anfällig für Regen und Spritzwasser ist.
- In der Nähe einer Wärmequelle oder einer Quelle für brennbare Gase.
- In einem Bereich, der nicht gereinigt oder von Blättern, trockener Vegetation und anderen brennbaren Gegenständen freigehalten werden kann.
- In Zone 0 (Z0) und Zone 1 (Z1) (ABBILDUNG 3).

**(IT) LA POMPA NON DEVE ESSERE INSTALLATA:**

- In un'area soggetta a pioggia e spruzzi.
- In prossimità di una fonte di calore o di gas infiammabili.
- In un'area che non può essere pulita o mantenuta libera da foglie, vegetazione secca e altri elementi infiammabili.
- Nella Zona 0 (Z0) e nella Zona 1 (Z1) (FIGURA 3).

**(NL) MAG DE POMP NIET GEÏNSTALLEERD WORDEN:**

- In een gebied waar het kan regenen en spetteren.
- In de buurt van een warmtebron of brandbaar gas.
- In een gebied dat niet kan worden schoongemaakt of vrijgehouden van bladeren, droge vegetatie en andere ontvlambare voorwerpen.
- In Zone 0 (Z0) en Zone 1 (Z1) (FIGUUR 3).

**(PT) A BOMBA NÃO DEVE SER INSTALADA:**

- Numa área suscetível de chuva e de salpicos.
- Perto de uma fonte de calor ou de uma fonte de gás inflamável.
- Numa área que não possa ser limpa ou mantida livre de folhas, vegetação seca e outros objectos inflamáveis.
- Na Zona 0 (Z0) e na Zona 1 (Z1) (FIGURA 3).

**(PL) NIE WOLNO INSTALOWAĆ POMPY:**

- W obszarze narażonym na opady deszczu i zachłapanie.
- W pobliżu źródeł ciepła lub łatwopalnych gazów.
- W obszarze, który nie może być czyszczony lub utrzymywany w stanie wolnym od liści, suchej roślinności i innych łatwopalnych przedmiotów.
- W strefie 0 (Z0) i strefie 1 (Z1) (RYSUNEK 3).

**(CS) ČERPADLO NESMÍ BÝT INSTALOVÁNO:**

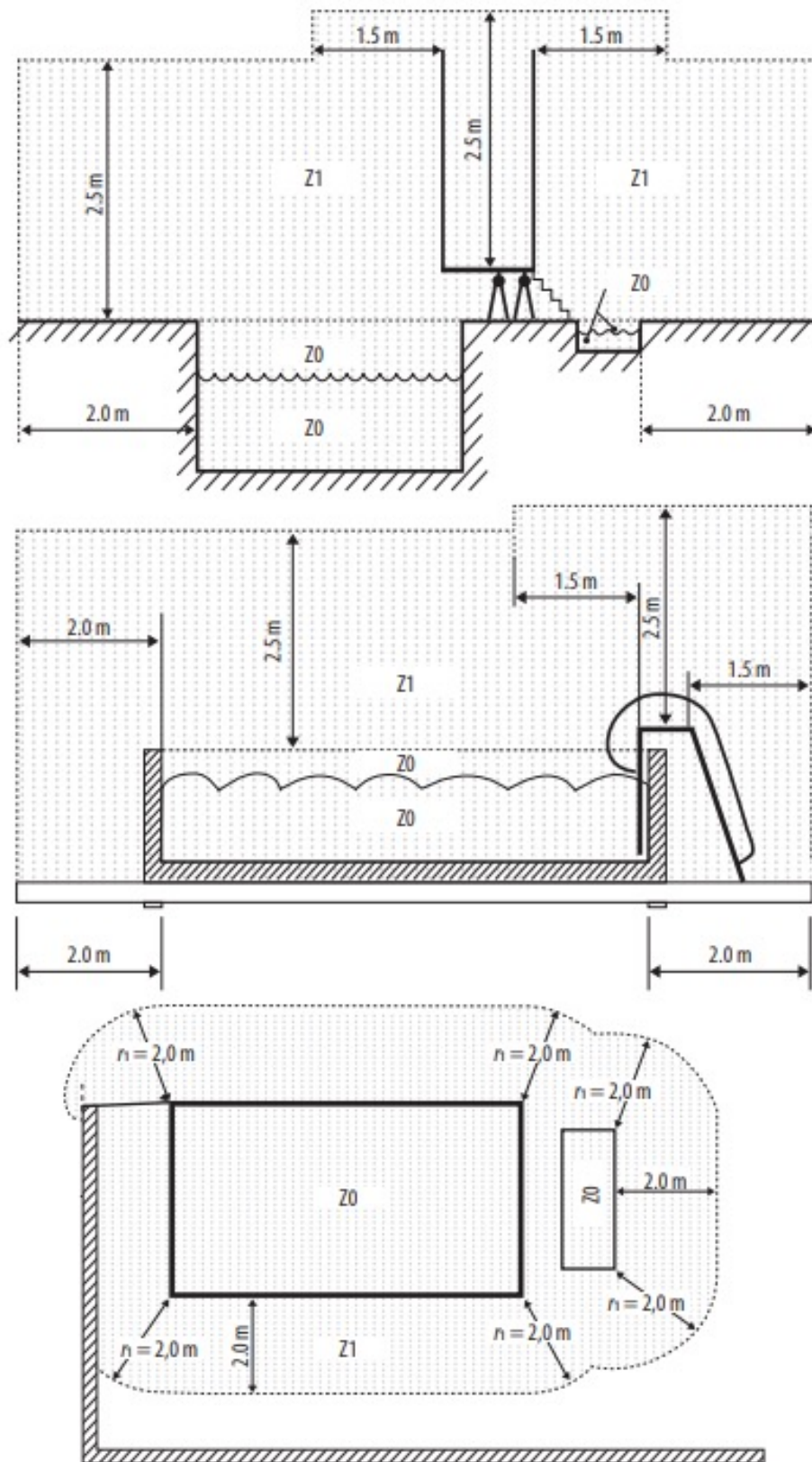
- V oblasti náchylné na dešťové srážky a stříkající vodu.
- V blízkosti zdroje tepla nebo zdroje hořlavých plynů.
- Na místě, které nelze čistit nebo udržovat bez listí, suché vegetace a jiných hořlavých předmětů.
- V zóně 0 (Z0) a zóně 1 (Z1) (OBRÁZEK 3).

**(SK) ČERPADLO SA NESMIE INŠTALOVAŤ:**

- V oblasti náchylnej na dažďové zrážky a striekajúce vody.
- V blízkosti zdroja tepla alebo zdroja horľavého plynu.
- Na mieste, ktoré nie je možné čistiť alebo udržiavať bez lístia, suchej vegetácie a iných horľavých predmetov.
- V zóne 0 (Z0) a zóne 1 (Z1) (OBRÁZOK 3).

**(RO) POMPA NU TREBUIE SĂ FIE INSTALATĂ:**

- Într-o zonă predispusă la precipitații și stropiri.
- În apropierea unei surse de căldură sau a unei surse de gaze inflamabile.
- Într-o zonă care nu poate fi curățată sau menținută liberă de frunze, vegetație uscată și alte elemente inflamabile.
- În Zona 0 (Z0) și Zona 1 (Z1) (FIGURA 3).

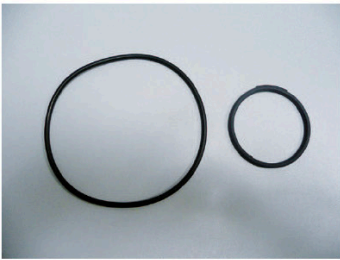


**FIGURE 3 - ZONES IN THE INSTALLATION**

**TECHNICAL CHARACTERISTICS**  
**CARACTERÍSTICAS TÉCNICAS**  
**RENSEIGNEMENTS TECHNIQUES**  
**TECHNISCHE ANGABEN**  
**DATI TECNICI**  
**TECHNISCHE GEGEVENS**  
**CHARACTERISTICAS TÉCNICAS**  
**DANE TECHNICZNE**  
**TECHNICKÉ CHARAKTERISTIKY**  
**TECHNICKÉ VLASTNOSTI**

	<b>PP077H</b>	<b>PP102</b>	<b>PP152</b>	<b>PP202</b>
<b>Hmax</b>	10	14	15	17
<b>Hmin</b>	4	4	2,5	2900
<b>Voltage (V)</b>	220-240	220-240	220-240	220-240
<b>Input Power (W)</b>	600	900	1100	1600
<b>Current (A)</b>	3	4,1	5	7,3
<b>Rpm</b>	2900	2900	2900	2900
<b>Q max (m3/h)</b>	17	20	22	27
<b>Q nom (m3/h)</b>	9	12	17	21
<b>IP Level</b>	IPX5	IPX5	IPX5	IPX5
<b>Frequency</b>	50 Hz	50 Hz	50 Hz	50 Hz
<b>Water temp</b>	0-35 °C	0-35 °C	0-35 °C	0-35 °C
<b>Noise level</b>	73 dB	78 dB	82 dB	71 dB

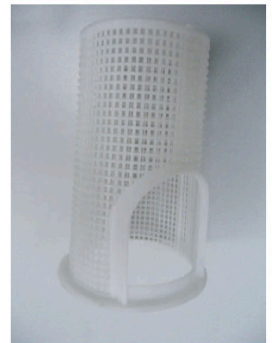
PP202 / PP152 / PP102 / PP077H



PP01P



PP02P

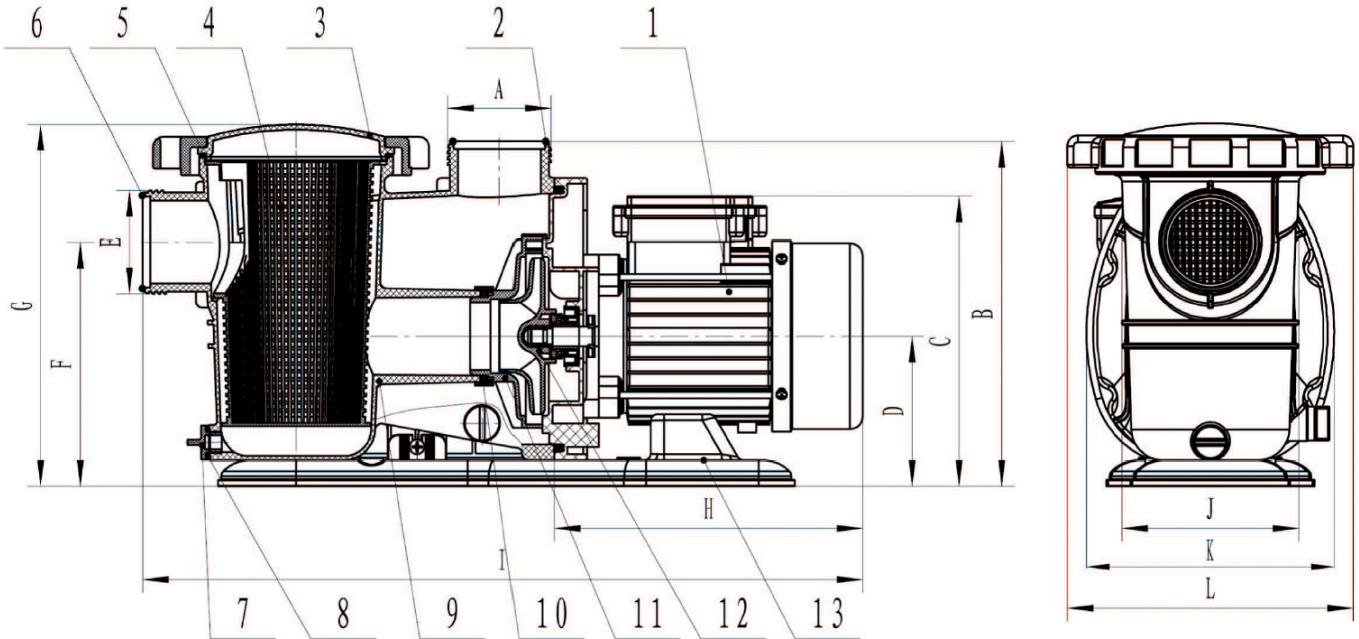


PP03P



PP04P

Self-priming SWIMMING POOL PUMP  
 BOMBA DE PISCINA autocebante  
 POMPE DE PISCINE auto-amorçante  
 Selbstansaugende SCHWIMMBADPUMPE  
 POMPA DI PISCINA auto-aspirante  
 Zelfaanzuigende ZWEMBADPOMP  
 BOMBA PISCINA autocomecendo  
 SAMOZASYSAJAČA POMPA DO BASENU  
 Samo-plnící BAZÉNOVÉ ČERPADLO  
 Samonasávacie BAZÉNOVÉ ČERPADLO  
 POMPĂ PISCINĂ cu auto-amorsare



	EN	ES	FR	DE	IT	NL	PT
1	Motor	Motor	Moteur	Motor	Motore	Motor	Motor
2	O-ring seal for drive	Junta tórica impulsión	Joint thorique refoulement	O-Ring des Antriebs	Guarnizione impulso	O-ring impuls	Tampão impulso
3	Pre-filter cover	Tapa de preíltro	Buse	Voríltterdeckel	Coperchio preíltro	Deksel van de vooríltter	Tampa pre-íltro
4	Pre-filter basket	Cesto del preíltro	Panier du préiltre	Voríltterkorb	Canestro preíltro	Korf van de vooríltter	Cesto pre-íltro
5	O-ring seal for pre-filter	Junta tórica del preíltro	Joint thorique de la buse	O-Ring für Voríltter	Guarnizione preíltro	O-ring voor vooríltter	Junta pre-íltro
6	O-ring seal for suction	Junta tórica aspiración	Joint thorique aspiration	O-Ring für den Sauger	Guarnizione aspirazione	O-ring voor aanzuiging	Tampão aspiração
7	Purging plug	Tapón de purga	Bouchon de vindage	Abflussdeckel	Tappo di scario	Aftapplug	Tampão desaguardamento
8	Purging plug seal	Junta tapón de purga	Joint du bouchon de vindage	Dichtung des Abflussdeckels	Guarnizione tappo di scarico	Dichting aftapplug	Junta tampão desaguardamento
9	Casing	Carcasa	Enveloppe	Gehäuse	Corpo pompa	Behuizing	Corpo bomba
10	O-ring seal	Junta tórica	Joint thorique	O-Ring	Guarnizione	O-ring	Tampão
11	Diffuser	Difusor	Diffuseur	Diffusor	Diffusore	Diffusor	Difusor

12	Air-screw	Helice	Hélice	Helix	Turbina	Schroef	Turbina
13	Motor assembly plate	Placa de montaje del motor	Plaque de montage du moteur	Montageabdeckung des Motors	Targa d'assemblaggio di motore	Monteerbasis voor motor	Placa da montagem do motor

	PL	CS	SK	RO
1	Silnik	Motor	Motor	Garnitură etanșare unitate motoare
2	Uszczelka pierścienina dla panelu sterowania	O-kroužek těsnění pohonu	Tesnenie O-kružkom pre pohon	Ńit pre-filtru
3	Pokrywa filtra	Kryt před-filtru	Kryt predfiltra	Carcasă pre-filtru
4	Koszyk filtra	Koš před-filtru	Kôš predfiltra	Pre-filtru coș
5	Uszczelka pierścienina dla filtra	O-kroužek těsnění před-filtru	Tesnenie O-kružkom pre prefilter	Garnitură etanșare pre-filtru
6	Uszczelka pierścienina dla części ssającej	O-kroužek těsnění sání	Tesnenie O-kružkom pre sanie	Garnitură etanșare pentru sucțiune
7	Korek odpowietrzają	Čistící otvor	Čistiaca zátka	Priză de purjare
8	Uszczelka do korka odpowietrzającej	Uzávěr čistícího otvoru	Čistenie tesnenia zátky	Garnitură priză purjare
9	Obudowa	Pouzdro	Plášť	Carcasă
10	Uszczelka	Těsnící o-kroužek	Tesnenie O-kružka	Garnitură O-ring
11	Dyfuzor	Difuzor	Difúzor	Difuzor
12	Śruba odpowietrzająca	Vzduchový šroub	Vzduchová skrutka	Élice
13	Płyta do montażu silnika	Montážní deska motoru	Montážna doska motora	Placă asamblare motor

A (mm)	B (mm)	C (mm)	D (mm)	E (mm)	F (mm)	G (mm)	H (mm)	I (mm)	J (mm)	K (mm)	L (mm)
79	264	222	115	79	187	278	237	553	136	190	220



**GENERAL TERMS**

- In accordance with these provisions, the seller guarantees that the product corresponding to this guarantee ("the Product") is in perfect condition at the time of delivery.
- The Guarantee Term for the Product is two (2) years from the time it is delivered to the purchaser.
- In the event of any defect in the Product that is notified by the purchaser to the seller during the Guarantee Term, the seller will be obliged to repair or replace the Product, at his own cost and wherever he deems suitable, unless this is impossible or unreasonable.
- If it is not possible to repair or replace the Product, the purchaser may ask for a proportional reduction in the price or, if the defect is sufficiently significant, the termination of the sales contract.
- The replaced or repaired parts under this guarantee, will not extend the guarantee period of the original Product, but will have a separate guarantee.
- In order for this guarantee to come into effect, the purchaser must provide proof of the date of purchase and delivery of the Product.
- If, after six months from the delivery of the Product to the purchaser, he notifies a defect in the Product, the purchaser must provide proof of the origin and existence of the alleged defect.
- This Guarantee Certificate is issued without prejudice to the rights corresponding to consumers under national regulations.

**INDIVIDUAL TERMS**

- This guarantee covers the products referred to in this manual.
- This Guarantee Certificate will only be applicable in European Union countries.
- For this guarantee to be effective, the purchaser must strictly follow the Manufacturer's instructions included in the documentation provided with the Product, in cases where it is applicable according to the range and model of the Product.
- When a time schedule is specified for the replacement, maintenance or cleaning of certain parts or components of the Product, the guarantee will only be valid if this time schedule has been followed.

**LIMITATIONS**

- This guarantee will only be applicable to sales made to consumers, understanding by "consumer", a person who purchases the Product for purposes not related to his professional activities.
- The normal wear resulting from using the product is not guaranteed. With respect to expendable or consumable parts, components and/or materials, such as batteries, light bulbs, etc. the stipulations in the documentation provided with the Product, will apply.
- The guarantee does not cover those cases when the Product; (I) has been handled incorrectly; (II) has been repaired, serviced or handled by non- authorised people or (III) has been repaired or serviced not using original parts. In cases where the defect of the Product is a result of incorrect installation or start-up, this guarantee will only apply when said installation or start-up is included in the sales contract of the Product and has been conducted by the seller or under his responsibility.

**CROSSED-OUT WASTE CONTAINER**

- In order to reduce the amount of waste of electric and electronic apparatus, to reduce the danger of components, to encourage the reuse of apparatus, to assess waste and to set up a suitable waste treatment system, with the aim of improving the efficiency of environmental protection, a set of rules has been established applicable to the manufacture of the product and other rules regarding the correct environmental treatment when these products become waste.
- It is also intended to improve the environmental practices of all agents involved in electrical and electronic goods, including manufacturers, distributors, users and particularly those directly involved in the treatment of waste derived from these apparatus.
- From 13th August 2005, there are two ways of disposing of this apparatus:
- If you purchase a new equivalent apparatus or which has the same functions as the one you wish to dispose of, you can hand it over, free of charge, to the distributor when making your purchase.
- You can take it to local collection points.
- We shall cover waste treatment costs.
- The apparatus are labelled with a symbol of a "crossed-out waste container". This symbol means that the apparatus is subject to selected waste collection, different from general waste collection.
- Our products are designed and manufactured with top-quality, environmental-friendly materials and components, which can be reused and recycled. In spite of this, several parts of this product are not biodegradable and therefore it should not be left in the environment. For the correct recycling of this product, please completely detach the electrical motor from the rest of the filtration equipment.

**ASPECTOS GENERALES**

- De acuerdo con estas disposiciones, el vendedor garantiza que el producto correspondiente a esta garantía ("el Producto") no presenta ninguna falta de conformidad en el momento de su entrega.
- El Período de Garantía para el Producto es de dos (2) años y se calculará desde el momento de su entrega al comprador.
- Si se produjera una falta de conformidad del Producto y el comprador lo notificase al vendedor durante el Periodo de Garantía, el vendedor deberá reparar o sustituir el Producto a su propio coste en el lugar donde considere oportuno, salvo que ello sea imposible o desproporcionado.
- Cuando no se pueda reparar o sustituir el Producto, el comprador podrá solicitar una reducción proporcional del precio o, si la falta de conformidad es suficientemente importante, la resolución del contrato de venta.
- Las partes sustituidas o reparadas en virtud de esta garantía no ampliarán el plazo de la garantía del Producto original, si bien dispondrán de su propia garantía.
- Para la efectividad de la presente garantía, el comprador deberá acreditar la fecha de adquisición y entrega del Producto.
- Cuando hayan transcurrido más de seis meses desde la entrega del Producto al comprador y éste alegue falta de conformidad de aquél, el comprador deberá acreditar el origen y la existencia del defecto alegado.
- El presente Certificado de Garantía no limita o prejuzga los derechos que correspondan a los consumidores en virtud de normas nacionales de carácter imperativo.

**CONDICIONES PARTICULARES**

- La presente garantía cubre los productos a que hace referencia este manual.
- El presente Certificado de Garantía será de aplicación únicamente en los países de la Unión Europea.
- Para la eficacia de esta garantía, el comprador deberá seguir estrictamente las indicaciones del Fabricante incluidas en la documentación que acompaña al Producto, cuando ésta resulte aplicable según la gama y modelo del Producto.
- Cuando se especifique un calendario para la sustitución, mantenimiento o limpieza de ciertas piezas o componentes del Producto, la garantía sólo será válida cuando se haya seguido dicho calendario correctamente.

**LIMITACIONES**

- La presente garantía únicamente será de aplicación en aquellas ventas realizadas a consumidores, entendiéndose por "consumidor", aquella persona que adquiere el Producto con fines que no entran en el ámbito de su actividad profesional.
- No se otorga ninguna garantía respecto del normal desgaste por uso del producto. En relación con las piezas, componentes y/o materiales fungibles o consumibles como pilas, bombillas etc., se estará a lo dispuesto en la documentación que acompañe al Producto, en su caso.
- La garantía no cubre aquellos casos en que el Producto: (I) haya sido objeto de un trato incorrecto; (II) haya sido reparado, mantenido o manipulado por persona no autorizada o (III) haya sido reparado o mantenido con piezas no originales.
- Cuando la falta de conformidad del Producto sea consecuencia de una incorrecta instalación o puesta en marcha, la presente garantía sólo responderá cuando dicha instalación o puesta en marcha esté incluida en el contrato de compra-venta del Producto y haya sido realizada por el vendedor o bajo su responsabilidad.

**CONTENEDOR DE BASURA CON RUEDAS TACHADO**

- Con objeto de reducir la cantidad de residuos de aparatos eléctricos y electrónicos, la peligrosidad de los componentes, fomentar la reutilización de los aparatos, la valorización de sus residuos y determinar una gestión adecuada tratando de mejorar la eficacia de la protección ambiental, se establecen una serie de normas aplicables a la fabricación del producto y otras relativas a la correcta gestión ambiental cuando se conviertan en residuo.
- Así mismo, se pretende mejorar el comportamiento ambiental de todos los agentes que intervienen en el ciclo de vida de los aparatos eléctricos y electrónicos, como son los productores, los distribuidores, los usuarios y en particular, el de aquellos agentes directamente implicados en la gestión de los residuos derivados de estos aparatos.
- A partir del 13 Agosto de 2005 cuando usted quiera desechar este aparato, tiene dos posibles sistemas de devolución:
  - Si adquiere uno nuevo que sea de tipo equivalente o realice las mismas funciones que el que desecha, podrá entregarlo, sin coste, en el acto de la compra al distribuidor.
  - Podrá llevarlo al sitio que destinen las diferentes entidades locales.
  - Nosotros nos haremos cargo de los costes de gestión.
- Los aparatos van etiquetados con el símbolo de un "contenedor de basura con ruedas tachado", este símbolo es indicativo de la necesaria recogida selectiva y diferenciada del resto de las basuras urbanas.
- Nuestros productos están diseñados y fabricados con materiales y componentes de alta calidad, respetuosos con el medio ambiente, que pueden ser reutilizables y reciclados. Aun así, las diferentes partes que componen este producto no son biodegradables, por lo que no se deben abandonar en el medio ambiente. Se debe de reciclar por separado, para ello separar el motor eléctrico del resto del equipo de filtración.

**ASPECTS GÉNÉRAUX**

- Conformément à ces dispositions, le vendeur garantit que le produit correspondant à cette garantie ("le Produit") ne présente aucun défaut de conformité à la date de sa livraison.
- La Période de Garantie pour le Produit est de deux (2) ans et elle sera calculée à partir du moment de sa remise à l'acheteur.
- S'il se produisait un défaut de conformité du Produit et si l'acheteur le notifiait au vendeur pendant la Période de Garantie, le vendeur devrait réparer ou remplacer le Produit à ses propres frais à l'endroit qu'il jugerait opportun, à moins que cela soit impossible ou disproportionné.
- Lorsque le Produit ne pourra être ni réparé ni remplacé, l'acheteur pourra demander une réduction proportionnelle du prix ou, si le défaut de conformité est suffisamment important, la résolution du contrat de vente.
- Les parties remplacées ou réparées en vertu de cette garantie n'élargiront pas le délai de la garantie du Produit original, celles-ci étant cependant couvertes par leur propre garantie.
- Pour l'effectivité de la présente garantie, l'acheteur devra justifier la date d'acquisition et de remise du Produit.
- Quand plus de six mois se seront écoulés depuis la remise du Produit à l'acheteur et que ce dernier alléguera un défaut de conformité de ce Produit, l'acheteur devra justifier l'origine et l'existence du défaut allégué.
- Le présent Certificat de Garantie ne limite pas, ni préjuge les droits correspondant aux consommateurs en vertu des normes nationales de nature impérative.

**CONDITIONS PARTICULIÈRES**

- La présente garantie couvre les produits auxquels ce manuel fait référence.
- Le présent Certificat de Garantie ne sera applicable que dans les pays de l'Union européenne.
- En vue de l'efficacité de cette garantie, l'acheteur devra suivre strictement les indications du Fabricant comprises dans la documentation qui est jointe au Produit, quand celle-ci sera applicable selon la gamme et le modèle du Produit.
- Quand un calendrier sera spécifié pour le remplacement, la maintenance ou le nettoyage de certaines pièces ou de certains composants du Produit, la garantie sera valable uniquement lorsque ledit calendrier aura été suivi correctement.

**LIMITATIONS**

- La présente garantie ne sera applicable que dans les ventes réalisées aux consommateurs, considérant comme "consommateur", toute personne qui achète le Produit à des fins qui n'entrent pas dans le cadre de son activité professionnelle.
- Aucune garantie n'est concédée quant à l'usure normale due à l'utilisation du produit. En ce qui concerne les pièces, composants et/ou matériels fongibles ou consommables comme les piles, les ampoules, etc., il faudra respecter, le cas échéant, ce qui est stipulé dans la documentation qui est jointe au Produit.
- La garantie ne couvre pas les cas où le Produit : (I) a fait l'objet d'un traitement incorrect ; (II) a été réparé, entretenu ou manipulé par une personne non autorisée ou (III) a été réparé ou entretenu avec des pièces n'étant pas d'origine. Quand le défaut de conformité du Produit sera la conséquence d'une installation ou d'une mise en marche incorrectes, la présente garantie répondra uniquement lorsque ladite installation ou ladite mise en marche sera incluse dans le contrat d'achat et de vente du Produit et aura été réalisée par le vendeur ou sous sa responsabilité.

**CROSSED-OUT WASTE CONTAINER**

- Afin de réduire la quantité de déchets d'appareils électriques et électroniques, afin d'éviter le danger de leurs composants, d'encourager la réutilisation des appareils ainsi que la valorisation de leurs déchets, et de déterminer une gestion appropriée de ceux-ci, en essayant d'améliorer l'efficacité de la protection environnementale, ont été établies de nombreuses normes applicables à la fabrication du produit, et d'autres relatives à la gestion environnementale correcte lorsque ces appareils sont hors service.
- De même, on prétend améliorer le comportement environnemental de toutes les personnes qui interviennent dans le cycle de vie des appareils électriques et électroniques, tels que les producteurs, les distributeurs, les utilisateurs et, en particulier, les intervenants directement impliqués dans la gestion des déchets dérivés de ces appareils.
- À partir du 13 août 2005, quand vous souhaitez vous débarrasser de votre appareil usagé, vous avez deux façons de le faire :
- Si vous achetez un nouvel appareil qui est plus ou moins du même genre ou qui réalise les mêmes fonctions que votre appareil usagé, vous pourrez le remettre au distributeur, sans aucun frais à votre charge, au moment de l'achat.
- Ou bien vous pourrez le déposer à l'endroit destiné à cette fin par les différents organismes locaux.
- Les frais de gestion seront à notre charge.
- Les appareils portent une étiquette sur laquelle figure le symbole d'une "poubelle à ordures sur roulettes barrée". Ce symbole indique la nécessité d'une collecte sélective et triée du reste des déchets urbains.
- Nos produits sont conçus et fabriqués avec des matériaux et des composants de haute qualité, respectueux de l'environnement, qui sont réutilisables et recyclables. Malgré tout, les différentes parties qui composent cet article ne sont pas biodégradables ; c'est pourquoi, il ne faut pas les mettre au rebut en les jetant dans l'environnement.

**ALLGEMEINE GESICHTSPUNKTE**

- In Übereinstimmung mit diesen Verfügungen garantiert der Verkäufer, dass das Produkt dieser Garantie ("das Produkt") entspricht und dass es im Moment der Übergabe in allen Punkten mit den Anforderungen übereinstimmt.
- Der Garantiezeitraum für das Produkt beträgt zwei (2) Jahre und wird ab dem Augenblick der Lieferung an den Käufer gerechnet.
- Falls ein Mangel am Produkt auftritt und der Käufer den Verkäufer innerhalb des Garantiezeitraums darüber unterrichtet, muss der Verkäufer das Produkt auf eigene Kosten dort reparieren oder ersetzen, wo es für ihn am günstigsten ist, es sei denn, dies ist unmöglich oder unverhältnismäßig.
- Wenn das Produkt weder repariert noch ersetzt werden kann, kann der Käufer einen angemessenen Preisnachlass beantragen, oder, falls es sich um einen größeren Mangel handelt, die Auflösung des Kaufvertrages.
- Die Teile, die aufgrund dieser Garantie ersetzt oder repariert werden, verlängern den Garantiezeitraum für das Originalprodukt nicht. Jedoch existiert für diese Teile eine eigene Garantie.
- Um die vorliegende Garantie wirksam werden zu lassen, muss der Käufer das Kaufdatum und das Lieferdatum des Produktes belegen.
- Nach Ablauf von sechs Monaten ab Lieferung des Produktes an den Käufer muss, im Falle eines Mangels, der Käufer den Ursprung und das Vorhandensein des angegebenen Mangels belegen.
- Das vorliegende Garantiezertifikat schränkt die Rechte, die der Verbraucher aufgrund der herrschenden, nationalen Gesetzgebung hat, nicht ein.

**SONDERBEDINGUNGEN**

- Die vorliegende Garantie gilt für die Produkte, auf die sich dieses Handbuch bezieht.
- Das vorliegende Garantiezertifikat ist nur in den Ländern der Europäischen Gemeinschaft anwendbar.
- Diese Garantie gilt nur, wenn der Käufer alle Anweisungen des Herstellers, die in der produktbegleitenden Dokumentation enthalten und für die jeweilige Produktlinie und Modell anwendbar ist, streng einhält.
- Wenn ein Zeitplan für den Austausch von Teilen, die Instandhaltung und Reinigung bestimmter Teile oder Produktkomponenten aufgestellt wurde, gilt die Garantie nur dann, wenn dieser Zeitplan korrekt eingehalten wurde.

**EINSCHRÄNKUNGEN**

- Die vorliegende Garantie ist nur auf Verkäufe an Verbraucher anwendbar. "Verbraucher" sind alle Personen, die dieses Produkt zu privaten Zwecken erwerben.
- Es wird keine Garantie für die normale Abnutzung durch den Gebrauch des Produktes gewährt. Informationen über Teile, Komponenten und/oder verschleißbare Materialien oder Verbrauchsgüter oder Batterien, Glühlampen etc.

finden Sie in der Dokumentation, die das jeweilige Produkt begleitet.

- In folgenden Fällen gilt die Garantie nicht: (I) Das Produkt wurde nicht korrekt benutzt; (II) das Produkt wurde von nicht autorisierten Personen repariert, instandgehalten oder bedient oder (III) das Produkt wurde mit nicht originalen Ersatzteilen repariert oder instandgehalten. Wenn der Mangel auf eine falsche Installation oder Inbetriebnahme zurückzuführen ist, gilt die vorliegende Garantie nur, wenn diese Installation oder Inbetriebnahme in den Kaufvertrag des Produktes eingeschlossen war, und von dem Verkäufer oder auf dessen Verantwortung durchgeführt wurde.

**DURCHGESTRICHEHENEN ABFALLCONTAINERS MIT RÄDERN**

- Um die Menge an Abfällen, die aus elektrischen und elektronischen Geräten bestehen, zu reduzieren, die Gefahr einzudämmen, die Wiederverwertung der Apparate und die Bewertung dieser Rückstände zu fördern und ein geeignetes Management zu finden, um die Wirksamkeit des Umweltschutzes zu erhöhen, werden eine Reihe von Normen festgelegt, die auf die Herstellung des Produktes angewandt werden, und Normen, die sich auf die korrekte und umweltbewusste Entsorgung beziehen, wenn diese Produkte zu Abfall werden.
- Ebenso soll das Umweltbewusstsein aller Beteiligten verbessert werden, die mit den elektrischen und elektronischen Apparaten während deren gesamtem Nutzungszyklus in Kontakt kommen, das sind zum Beispiel die Hersteller, die Vertreiber, die Benutzer und insbesondere diejenigen, die direkt mit der Entsorgung der Rückstände zu tun haben, die durch diese Apparate entstehen.
- Ab dem 13. August 2005 gibt es zwei Möglichkeiten für die Rückgabe, wenn Sie diesen Apparat entsorgen möchten:
  - Falls Sie einen neuen, ähnlichen Apparat oder einen, der den gleichen Funktionen dient, erwerben, können Sie das alte Gerät kostenlos beim Kauf des neuen Gerätes an Ihren Verkäufer zurückgeben.
  - Oder Sie können den Apparat zu einer der öffentlichen Annahmestellen für diese Art von Sondermüll bringen.
- Wir übernehmen die Kosten der Entsorgung.
- Die Apparate sind mit einem Etikett mit dem Symbol eines „durchgestrichenen Abfallcontainers mit Rädern“ versehen. Dieses Symbol gibt an, dass es sich um Sondermüll handelt, und nicht um gewöhnlichen städtischen Müll.
- Unsere Produkte bestehen aus Materialien und Komponenten hoher Qualität, die umweltfreundlich sind und wieder benutzt oder recycelt werden können. Dennoch sind die verschiedenen Teile, aus denen dieses Produkt besteht, nicht biologisch abbaubar, deshalb können sie nicht einfach weggeworfen werden. Um dieser Produkt korrekt zu recycling, bitte den elektrischen Motor von der Filteranlage zerlegen.

**ASPETTI GENERALI**

- Ai sensi delle seguenti disposizioni, il venditore garantisce che il prodotto corrispondente a questa garanzia (“il Prodotto”) non presenta alcun difetto di conformità al momento della sua consegna.
- Il Periodo di Garanzia per il Prodotto è di due (2) anni a decorrere dal momento della consegna dello stesso all’acquirente.
- Nel caso in cui si venisse a produrre un difetto di conformità del Prodotto e l’acquirente lo notificasse al venditore entro il Periodo di Garanzia, il venditore dovrà riparare o sostituire il Prodotto a sue spese nel luogo che consideri opportuno, salvo che ciò risulti impossibile o sproporzionato.
- Qualora non fosse possibile riparare o sostituire il Prodotto, l’acquirente potrà richiedere una riduzione proporzionale del prezzo o, nel caso in cui il difetto di conformità fosse sufficientemente importante, lo scioglimento del contratto di vendita.
- Le parti sostituite o riparate in virtù della presente garanzia non rappresenteranno un prolungamento della scadenza della garanzia del Prodotto originale, quantunque disporranno di una loro propria garanzia.
- Affinché la presente possa essere valida, l’acquirente dovrà attestare la data di acquisto e consegna di del Prodotto.
- Una volta trascorsi più di sei mesi dalla consegna del Prodotto all’acquirente, qualora quest’ultimo dichiarò un difetto di conformità del medesimo, l’acquirente dovrà attestare l’origine e l’esistenza del difetto dichiarato.
- Il presente Certificato di Garanzia non limita o preclude i diritti che corrispondano ai consumatori in virtù delle norme nazionali di carattere imperativo.

**CONDIZIONI PARTICOLARI**

- La presente garanzia copre i prodotti ai quali si riferisce questo manuale.
- Il presente Certificato di Garanzia avrà vigore unicamente nell’ambito dei paesi dell’Unione Europea.
- Per la validità di questa garanzia, l’acquirente dovrà rispettare in maniera rigorosa le indicazioni del Fabbricante indicate nella documentazione che viene allegata al Prodotto, quando questa risulti applicabile secondo la gamma e il modello del Prodotto.
- Nel caso in cui venga specificato un calendario per la sostituzione, la manutenzione o la pulizia di determinati pezzi o componenti del Prodotto, la garanzia sarà valida solo quando qualora detto calendario sia stato rispettato in maniera corretta.

**LIMITAZIONI**

- La presente garanzia sarà valida unicamente per le vendite realizzate a consumatori, laddove per “consumatori” s’intende quella persona che acquista il Prodotto con scopi che non rientrano nell’ambito della sua attività professionale.
- Non viene concessa alcuna garanzia nei riguardi del normale consumo per uso del prodotto. In merito ai pezzi, ai componenti e/o ai materiali fusibili o consumabili come pile, lampadine, ecc., ove sussista si applicherà quanto disposto nella documentazione che è allegata al Prodotto.
- La garanzia non copre i casi in cui il Prodotto: (I) sia stato oggetto di un uso non corretto; (II) sia stato riparato, manipolato o la manutenzione sia stata effettuata da una persona non autorizzata o (III) sia stato riparato o la manutenzione sia stata effettuata con pezzi non originali. Qualora il difetto di conformità del Prodotto sia conseguenza di una installazione o messa in marcia non corretta, la presente garanzia risponderà solo nel caso in cui la suddetta installazione o messa in marcia sia compresa nel contratto di compravendita del Prodotto e sia stata realizzata dal venditore o sotto la sua responsabilità.

**CONTENITORE DELLA SPAZZATURA, SBARRATO**

- Allo scopo di ridurre la quantità di residui di apparati elettrici ed elettronici, la pericolosità dei componenti, promuovere il riutilizzo degli apparecchi, la valutazione dei loro residui e determinare una gestione adeguata cercando di migliorare l’efficacia della protezione ambientale, si stabiliscono una serie di norme applicabili alla fabbricazione del prodotto ed altre relative alla corretta gestione ambientale quando si trasformino in residui.
- Allo stesso modo, si cerca di migliorare il comportamento ambientale di tutti gli agenti che intervengono nel ciclo vitale degli apparecchi elettrici ed elettronici, come i produttori, i distributori, i consumatori e, in particolare, il comportamento di quegli agenti direttamente implicati nella gestione dei residui derivati da questi apparecchi.
- A partire dal 13 agosto del 2005, quando vorrà disfarsi di questo apparecchio, avrà due possibili sistemi di rottamazione a sua disposizione:
- Se acquista un apparecchio nuovo che sia di tipo equivalente o che svolga le stesse funzioni di quello da rottamare, potrà consegnarlo direttamente al distributore, senza alcun costo, al momento dell’acquisto;
- Potrà portarlo nel luogo appositamente destinato dai vari enti locali.
- Noi ci faremo carico dei costi di gestione.
- Gli apparecchi sono etichettati con il simbolo di un “contenitore della spazzatura, sbarrato”, questo simbolo indica la necessaria raccolta selettiva e differenziata dal resto della spazzatura urbana.
- I nostri prodotti sono progettati e fabbricati con materiali e componenti di elevata qualità, che rispettano l’ambiente, che possono essere riutilizzati e riciclati. Pur in questo caso, le varie parti che compongono questo prodotto non sono biodegradabili, per cui non devono essere abbandonate nell’ambiente. Per il riciclaggio corretto di questo prodotto, stacchi il motore dal resto dell’apparecchio di filtrazione.



**ALGEMENE ASPEKTEN**

- In overeenkomst met de voorliggende bepalingen wordt door de verkoper gegarandeerd dat het produkt verkocht onder deze garantie ("het Produkt") geen enkel defect vertoont op het moment van levering.
- De Garantieperiode voor het Produkt bedraagt twee (2) jaar en is geldig vanaf het moment dat het Produkt aan de koper geleverd wordt.
- Indien er zich een defect aan het Produkt zou voordoen en de koper dit zou mededelen aan de verkoper gedurende de geldige Garantieperiode, dan zal de verkoper het Produkt repareren of laten repareren op zijn eigen kosten alwaar de verkoper dit geschikt zou achten, behalve in het geval dat dit onmogelijk of buitensporig zou zijn.
- Indien het Produkt niet gerepareerd of vervangen kan worden, dan kan de koper na verhouding prijsreductie aanvragen, of, indien het defect belangrijk genoeg is, de ontbinding van het verkoopcontract aanvragen.
- Die delen van het Produkt die onder deze Garantie vervangen of gerepareerd zijn, kunnen de duur van de Garantieperiode voor het oorspronkelijke Produkt niet verlengen, maar zullen beschikken over een eigen garantie.
- Voor de toepassing van deze garantie moet de koper de aankoopdatum en de levering van het Produkt kunnen aantonen.
- Indien er meer dan zes maanden verlopen zijn sinds de levering van het Produkt aan de koper, en deze plotseling aangeeft dat het Produkt niet aan de eisen voldoet, dan zal de koper de oorsprong en het bestaan van de volgens hem bestaande defecten moeten kunnen aantonen.
- Dit Garantiecertificaat beperkt of veroordeelt niet bij voorbaat de rechten die de gebruikers hebben en die gebaseerd zijn op nationale normen.

**BIJZONDERE VOORWAARDEN**

- Deze garantie dekt de produkten waarnaar deze handleiding verwijst.
- Het huidige Garantiecertificaat is slechts van toepassing in landen van de Europese Unie.
- Voor de toepassing van deze garantie en in geval deze garantie van toepassing is al naar gelang de serie en het model van het Produkt, moet de koper de aanwijzingen van de Fabrikant in de documenten die bij het Produkt bijgesloten zijn, strikt opvolgen.
- Indien er een tijdsperiode vastgesteld wordt voor de vervanging, het onderhoud of het reinigen van verschillende delen of onderdelen van het Produkt, dan is de garantie alleen geldig in geval deze tijdsperiode strikt aangehouden is.

**BEPERKINGEN**

- De huidige garantie is uitsluitend geldig bij verkoop aan gebruikers, waarbij onder "gebruiker" verstaan wordt een persoon die het Produkt aanschaft met een doel dat niet binnen het gebied van zijn professionele activiteiten valt.
- Er bestaat geen garantie in verband met normale slijtage bij gebruik van het Produkt. Wat betreft de delen, componenten en/of vervangbare of verbruiksmaterialen zoals batterijen, gloeilampen, enz. zal men zich moeten richten naar hetgeen in de documenten staat die het Produkt vergezellen.
- De garantie dekt niet de gevallen waarbij het Produkt (i) onderhevig is geweest aan ongepast gebruik, (ii) gerepareerd, onderhouden of gemanipuleerd is door een persoon die daarvoor geen toestemming heeft, of (iii) gerepareerd of onderhouden is met niet oorspronkelijke onderdelen. Indien het defect van het Produkt het gevolg is van een incorrecte installering of ingebruikneming, dan is deze garantie slechts van toepassing indien de installering of ingebruikneming in kwestie in het contract van koop en verkoop van het produkt opgenomen is en door de verkoper of onder diens verantwoordelijkheid uitgevoerd is.

**EEN DOORGESTREEPTE AFVALCONTAINER MET WIELEN**

- Teneinde het afval afkomstig van elektrische en elektronische apparaten en de schadelijke effecten van de diverse onderdelen te verminderen, het hergebruik van apparaten en de evaluatie van de effecten van het afval te bevorderen, en een gepast beheer en de bescherming van het milieu te bevorderen, zijn een aantal regels vastgesteld aangaande de fabricage van dit product alsmede de correcte milieubewuste verwerking van het apparaat wanneer het eenmaal wordt afgevoerd.
- Bovendien is het de bedoeling de milieubewuste verwerking door alle agenten die bij de gebruikscyclus van de elektrische en elektronische apparaten betrokken zijn te verbeteren, zoals bijvoorbeeld leveranciers, distributeurs, gebruikers, en in het bijzonder de agenten die direct betrokken zijn bij de verwerking van het afval afkomstig van deze apparaten.
- Met ingang van 13 augustus 2005 kunt u uit twee mogelijkheden kiezen wanneer u dit apparaat wilt weggooien:
- Wanneer u een nieuw exemplaar aanschaft van een vergelijkbaar type of dat dezelfde functies verricht als het weg te gooien exemplaar, kunt u het oude exemplaar zonder kosten bij de distributeur inleveren bij de aankoop van het nieuwe. Of u kunt het naar de afvalverwerking brengen volgens de voorschriften van de lokale overheid.
- Wij zullen de kosten van deze handelingen op ons nemen.
- De apparaten zijn voorzien van een etiket met het symbool van "een doorgestreepte afvalcontainer met wielen"; dit symbool geeft aan dat het apparaat niet met het gewone afval gemengd en apart verwerkt moet worden.
- Onze producten zijn ontworpen en gefabriceerd op basis van materialen en onderdelen van hoge kwaliteit die het milieu ontzien en die hergebruikt en gerecycled kunnen worden. Desondanks zijn de diverse onderdelen van dit product niet biologisch afbreekbaar, zodat deze niet in het milieu achtergelaten mogen worden. Om dit produkt korrekt te recycleren, relieve de elektrische motor van de Filterset los maken.

**CONDIÇÕES GERAIS**

- De acordo com estas disposições, o vendedor garante que, no momento da entrega, o produto correspondente a esta garantia ("o Produto") não apresenta nenhum tipo de falta de conformidade.
- O Período de Garantia para o Produto é de dois (2) anos, contados a partir da data de entrega ao comprador.
- Se, durante o período de garantia, o comprador notificar ao vendedor alguma falta de conformidade do Produto, o vendedor deverá reparar ou substituir o Produto por sua conta no lugar onde considerar conveniente, salvo que isso seja impossível ou desmesurado.
- Quando não for possível reparar ou substituir o Produto, o comprador poderá solicitar uma redução proporcional do preço ou, se a falta de conformidade for o suficientemente grave, a rescisão do contrato de venda.
- As partes substituídas ou reparadas em virtude desta garantia não ampliarão o período de garantia do Produto original, mas disporão da sua própria garantia.
- Para que a presente garantia tenha efeito, o comprador deverá apresentar o comprovante da data de compra e de entrega do Produto.
- Se o comprador alegar uma falta de conformidade do Produto, passados mais de seis meses da data de entrega do mesmo, deverá demonstrar a origem e a existência do defeito alegado.
- O presente Certificado de Garantia não limita nem afecta os direitos dos consumidores derivados das normas nacionais de carácter imperativo.

**CONDIÇÕES PARTICULARES**

- A presente garantia cobre os produtos descritos neste manual.
- O presente Certificado de Garantia só será válido nos países da União Europeia.
- Para a eficácia desta garantia, o comprador deverá seguir rigorosamente as indicações do Fabricante contidas na documentação fornecida com o Produto, quando a mesma for aplicável em função da gama e do modelo do Produto.
- No caso de se estabelecer um calendário para a substituição, manutenção ou limpeza de determinadas peças ou componentes do Produto, a garantia só será válida se o citado calendário tiver sido cumprido rigorosamente.

**LIMITAÇÕES**

- A presente garantia só será válida para as vendas realizadas a consumidores, entendendo-se por "consumidor" a pessoa que comprar o Produto com fins não abrangidos no âmbito da sua actividade profissional.
- A garantia não cobre o desgaste normal derivado do uso do produto. Em relação às peças, componentes e/ou materiais fungíveis ou consumíveis como pilhas, lâmpadas, etc., terá efeito o disposto na documentação fornecida com o Produto, em cada caso.
- Esta garantia não abrange as seguintes situações: (I) Se o Produto tiver sido objecto de um uso incorrecto; (II) tiver sido reparado, sofrido manutenção ou manipulado por pessoas não autorizadas ou (III) tiver sido reparado ou as suas peças substituídas por peças não originais. Quando a falta de conformidade do Produto for consequência de uma instalação ou colocação em funcionamento incorrecta, a presente garantia só será válida se a referida instalação ou colocação em funcionamento estiver incluída no contrato de compra-venda do Produto e tiver sido realizada pelo vendedor ou sob sua responsabilidade.

**CONTENTOR DE LIXO COM RODAS BARRADO COM UMA CRUZ**

- Com o objectivo de reduzir a quantidade de resíduos dos equipamentos eléctricos e electrónicos, a perigosidade dos componentes, fomentar a reutilização dos equipamentos, a valorização dos seus resíduos e determinar uma gestão adequada tratando de melhorar a eficácia da protecção ambiental, estabelece-se uma série de normas aplicáveis ao fabrico do produto e outras relativas à correcta gestão ambiental quando se transformam em resíduos.
- Do mesmo modo, pretende-se melhorar o comportamento ambiental de todos os agentes que intervêm no ciclo de vida dos equipamentos eléctricos e electrónicos, como são os produtores, os distribuidores, os utilizadores e, em particular, o dos agentes directamente implicados na gestão dos resíduos derivados destes equipamentos.
- A partir do dia 13 Agosto de 2005, quando quiser desfazer-se deste aparelho, tem duas possibilidades de devolução:
- Se adquirir um novo aparelho que seja de tipo equivalente ou que realize as mesmas funções que o que está a deitar fora, poderá entregá-lo ao distribuidor, sem custo, no acto da compra;
- Poderá levá-lo ao local destinado pelas diferentes entidades locais.
- Nós assumiremos os custos de gestão.
- Os equipamentos são rotulados com o símbolo de um "contentor de lixo com rodas barrado com uma cruz", que indica a necessidade de recolha selectiva e diferenciada do resto dos lixos urbanos.
- Os nossos produtos são concebidos e fabricados com materiais e componentes de alta qualidade, respeitadores do ambiente, que podem ser reutilizados e reciclados. No entanto, as diferentes partes que compõem este produto não são biodegradáveis e, portanto, não devem ser abandonadas no meio ambiente. Para a reciclagem correcta deste equipamento, por favor separe o motor eléctrico do resto do aparelho de filtração.



## WARUNKI OGÓLNE

- Zgodnie z tymi postanowieniami sprzedawca gwarantuje, że produkt odpowiadający tej gwarancji («Produkt») jest w idealnym stanie w momencie dostawy.
- Okres gwarancji na produkt wynosi dwa (2) lata od momentu dostarczenia go nabywcy.
- W przypadku jakiegokolwiek wady Produktu, o której Kupujący poinformował sprzedawcę w okresie Gwarancji, sprzedawca będzie zobowiązany do naprawy lub wymiany Produktu na własny koszt chyba że jest to niemożliwe lub nieuzasadnione.
- Jeżeli naprawa lub wymiana Produktu nie jest możliwa, kupujący może zażądać proporcjonalnego obniżenia ceny lub, jeśli wada jest wystarczająco istotna, rozwiązania umowy sprzedaży.
- Wymienione lub naprawione części objęte niniejszą gwarancją nie przedłużą okresu gwarancji oryginalnego Produktu, ale będą miały osobną gwarancję.
- Aby niniejsza gwarancja weszła w życie, nabywca musi przedstawić dowód daty zakupu i dostawy Produktu.
- Jeżeli po sześciu miesiącach od dostarczenia Produktu do nabywcy powiadomi o wadzie produktu, nabywca musi przedstawić dowód pochodzenia i istnienie rzekomej wady.
- Niniejsze świadectwo gwarancji wydawane jest bez uszczerbku dla praw odpowiadających konsumentom na mocy przepisów krajowych.

## WARUNKI INDYWIDUALNE

- Niniejsza gwarancja obejmuje produkty, o których mowa w niniejszej instrukcji.
- Niniejszy Certyfikat Gwarancji będzie obowiązywać wyłącznie w krajach Unii Europejskiej.
- Aby ta gwarancja była skuteczna, nabywca musi ściśle przestrzegać instrukcji producenta zawartych w dokumentacji dostarczonej z
- Produktem, w przypadkach, w których ma zastosowanie zgodnie z zakresem i modelem Produktu.
- W przypadku określenia harmonogramu wymiany, konserwacji lub czyszczenia niektórych części lub komponentów produktu gwarancja zostanie udzielona tylko, jeśli ten harmonogram został dotrzymany.

## OGRANICZENIA

- Niniejsza gwarancja będzie miała zastosowanie wyłącznie do sprzedaży dokonywanej na rzecz konsumentów, rozumiana przez «konsumenta», osobę, która kupuje Produkt do celów nie związanych z jego działalnością zawodową.
- Normalne zużycie wynikające z użytkowania produktu nie jest gwarantowane. W odniesieniu do zużytych lub zużywalnych części, komponentów i / lub materiałów, takie jak baterie, żarówki itp. będą miały zastosowanie postanowienia zawarte w dokumentacji dostarczonej z produktem.
- Gwarancja nie obejmuje przypadków, gdy Produkt; (I) został nieprawidłowo użytkowany; (II) został naprawiony, serwisowany lub obsługiwany przez osoby nieuprawnione osoby lub (III) zostały naprawione lub serwisowane bez użycia oryginalnych części. W przypadkach, gdy wada Produktu jest wynikiem nieprawidłowej instalacji lub rozruchu, ta gwarancja będzie miała zastosowanie tylko wtedy, gdy wspomniana instalacja lub uruchomienie zostanie zawarte w umowie sprzedaży produktu i została przeprowadzona przez producenta lub na jego odpowiedzialność.



## SEGREGACJA ODPADÓW

- W celu zmniejszenia ilości odpadów urządzeń elektrycznych i elektronicznych, zmniejszenia niebezpieczeństwa komponentów, zachecenia do ponownego użycia aparatury, oceny odpadów i stworzenia odpowiedniego systemu przetwarzania odpadów oraz poprawy efektywności ochrony środowiska, ustanowiono zbiór zasad w odniesieniu do wytwarzania produktu i innych zasad dotyczących właściwego traktowania środowiska, gdy te produkty się stają odpadem.
- Ma to również na celu poprawę praktyk środowiskowych wszystkich podmiotów zaangażowanych w towary elektryczne i elektroniczne, w tym producentów, dystrybutorów, użytkowników, a szczególnie tych bezpośrednio zaangażowanych w przetwarzanie odpadów pochodzących z tych urządzeń.
- Od 13 sierpnia 2005 r. Istnieją dwa sposoby pozbycia się tego urządzenia:
- Jeśli kupisz nowy, równoważny aparat lub który ma takie same funkcje, jak ten, który chcesz zbyć, możesz przekazać go bezpłatnie dystrybutorowi przy dokonywaniu zakupu, lub.
- Możesz zabrać go do lokalnych punktów zbiórki.
- Obejmujemy koszty przetwarzania odpadów.
- Aparatura jest oznaczona symbolem «przekreślonego pojemnika na odpady». Ten symbol oznacza, że urządzenie podlega innej selekcji odpadów, odmiennej od ogólnych zasad selekcji.
- Nasze produkty zostały zaprojektowane i wyprodukowane przy użyciu najwyższej jakości materiałów i komponentów przyjaznych dla środowiska, które można ponownie wykorzystać i poddać recyklingowi. Mimo to kilka części tego produktu nie ulega biodegradacji i dlatego nie należy pozostawiać ich w środowisku. Do poprawnego recyklingu tego produktu, proszę całkowicie odłączyć silnik elektryczny od reszty sprzętu do 8ltracji.

**OBECNÉ PODMÍNKY**

- V souladu s těmito podmínkami zaručuje prodávající, že výrobek, pro nějž se vystavuje tato záruka (dále jen „Výrobek“), je v okamžiku dodávky v bezvadném stavu.
- Záruka se poskytuje na dobu dvou (2) let od data dodávky kupujícími.
- Pokud kupující oznámí prodávajícímu během záruční doby závadu výrobku, je prodávající povinen Výrobek opravit nebo vyměnit na své náklady, pokud by to nebylo nemožné nebo nepřiměřené.
- Pokud by nebylo možno Výrobek opravit nebo vyměnit, může kupující žádat přiměřenou slevu z ceny, nebo v případě závažné závady ukončit prodejní smlouvu.
- Vyměněné nebo opravené součásti v rámci záruky neprodlužují záruku na původní Výrobek, ale jsou předmětem samostatné záruky.
- Aby bylo možno uplatnit záruční reklamaci, musí kupující předložit doklad o datu nákupu a dodávky Výrobku.
- Pokud po šesti měsících od dodávky Výrobku kupujícími oznámí kupující vadu Výrobku, musí prokázat původ a existenci této závady.
- Tento záruční list nemá vliv na práva spotřebitele podle národních předpisů

**INDIVIDUÁLNÍ PODMÍNKY**

- Tato záruka se týká výrobku, k němuž patří tato příručka.
- Tento záruční list lze uplatnit pouze v zemích Evropské unie.
- Aby byla tato záruka platná, musí kupující přísně dodržovat pokyny výrobce uvedené v dokumentaci k Výrobku, pokud se na daný model Výrobku vztahují.
- Pokud jsou pro výměnu, údržbu a čištění konkrétních součástí Výrobku předepsány intervaly, bude záruka platit jen případně jejich dodržování..

**OMEZENÍ ZÁRUKY**

- Tato záruka se vztahuje pouze na prodej „spotřebiteli“ pro soukromé, nekomerční využívání.
- Do záruky nespadá běžné opotřebení Výrobku. V ohledem na spotřební materiály a součásti, jako jsou baterie, vestavěné světlo apod. platí ustanovení dokumentace Výrobku.
- Záruka se nevztahuje na závady způsobené; (I) nesprávným používáním Výrobku nebo manipulací s ním; (II) opravou, servisem nebo manipulací neoprávněnými osobami nebo (III) použitím neoriginálních dílů na opravu nebo servis. V případě závady způsobené nesprávnou instalací nebo spuštěním se záruka uplatní pouze tehdy, pokud je instalace a uvedení do provozu součástí prodejní smlouvy a provedl ho prodávající nebo osoba, za niž byl prodávající odpovědný.

**PŘEŠKR TNUTÁ NÁDOBA NA ODPADKY**

- Pro snížení objemu elektrického a elektronického odpadu a snížení rizika představovaného součástmi elektrických a elektronických zařízení se doporučuje recyklace zařízení oprávněným systémem likvidace tohoto typu odpadu s ohledem na ochranu životního prostředí. Za tímto účelem má výrobce elektrických a elektronických zařízení zaveden systém správné ekologické likvidace svých výrobků po skončení jejich životnosti.
- 1.2 Jeho cílem je rovněž zlepšit ekologické zacházení se všemi součástmi a materiály použitými v elektrických a elektronických zařízeních ze strany výrobců, distributorů, uživatelů a společností pro zpracování odpadů z těchto zařízení.
- 1.3 Od 13. srpna 2005 existují dva způsoby likvidace těchto zařízení:
- 1.4 Pokud si zakoupíte nové zařízení se stejnou funkcí jako to, které likvidujete, můžete ho předat bezplatně distributorovi při koupi nového zařízení, nebo.
- 1.5 jej můžete odevzdat v příslušném sběrném středisku odpadů.
- 1.6 Náklady na likvidaci odpadu hradíme my.
- 1.7 Zařízení je označeno symbolem přeškrtnuté nádoby na odpad. Tento symbol znamená, že zařízení je předmětem třídění odpadu a nesmí se likvidovat společně s běžným domovním odpadem.
- 1.8 Naše výrobky jsou navrhovány a vyráběny v nejvyšší kvalitě, z ekologických materiálů a součástí, které lze recyklovat a používat opakovaně. Přesto některé součásti našich výrobků nejsou biologicky rozložitelné a nesmí být ponechány v životním prostředí. Pro správnou recyklaci tohoto výrobku odpojte prosím elektromotor od zbytku filtračního systému

**VŠEOBECNÉ PODMIENKY**

- V súlade s týmito ustanoveniami predávajúci zaručuje, že výrobok zodpovedajúci tejto záruke („výrobok“) je v čase dodania v perfektnom stave.
- Záručná doba na výrobok je dva (2) roky od dátumu jeho dodania kupujúcemu.
- V prípade akejkoľvek chyby na výrobku, ktorú kupujúci oznámi predávajúcemu počas záručnej doby, bude predávajúci povinný opraviť alebo vymeniť výrobok na svoje vlastné náklady a vždy, keď to uzná za vhodné, pokiaľ to nie je nemožné alebo nerozumné.
- Ak nie je možné opraviť alebo vymeniť výrobok, môže kupujúci požiadať o proporcionálne zníženie ceny pri ukončení kúpnej zmluvy, ak je chyba dostatočne závažná.
- Vymenené alebo opravené porty v rámci tejto záruky nepredĺžia záručnú dobu pôvodného výrobku, ale budú mať samostatnú záruku.
- Aby mohla táto záruka nadobudnúť účinnosť, musí kupujúci poskytnúť doklad o dátume nákupu a dodania výrobku.
- Ak po šiestich mesiacoch odo dňa dodania výrobku kupujúcemu oznámi chybu výrobku, musí kupujúci predložiť dôkaz o pôvode a existencii údajnej chyby.
- tento záručný list sa vydáva bez toho, aby boli dotknuté práva zodpovedajúce spotrebiteľom podľa vnútroštátnych predpisov.

**INDIVIDUÁLNE PODMIENKY**

- Táto záruka sa vzťahuje na výrobky uvedené v tomto návode.
- Tento záručný list bude platný iba v krajinách Európskej únie.
- Aby bola táto záruka účinná, kupujúci musí striktne dodržiavať pokyny výrobcu uvedené v dokumentácii dodanej s výrobkom, v prípadoch, keď je to uplatniteľné podľa rozsahu a modelu výrobku.
- Ak je stanovený časový plán výmeny, údržby alebo čistenia určitých častí alebo komponentov výrobku, záruka bude platná, iba ak bude dodržaný tento časový harmonogram.

**OBMEDZENIA**

- Táto záruka sa bude vzťahovať iba na predaj uskutočnený spotrebiteľom, pričom pod „spotrebiteľom“ sa rozumie osoba, ktorá kupuje výrobok na účely, ktoré nesúvisia s jeho profesionálnymi činnosťami.
- Normálne opotrebovanie, ktoré pri použití výrobku vzniká, nie je predmetom záruky. Pokiaľ ide o spotrebné diely, komponenty a/alebo materiály, ako sú batérie, žiarovky atď., platia ustanovenia v dokumentácii dodanej s výrobkom.
- Záruka sa nevzťahuje na prípady, keď: (I) sa s výrobkom zaobchádzalo nesprávne; (II) bol opravovaný alebo servisovaný alebo s ním manipulovali neautorizované osoby alebo (III) bol opravovaný alebo servisovaný bez použitia originálnych dielov.
- V prípadoch, keď je chyba výrobku dôsledkom nesprávnej inštalácie alebo uvedenia do prevádzky. Táto záruka bude platiť, len ak je uvedená inštalácia alebo uvedenie do prevádzky zahrnuté v kúpnej zmluve výrobku a bolo vykonané predávajúcim alebo na jeho zodpovednosť.

**PREČIARKNUTÁ NÁDOBA NA ODPAD**

- S cieľom znížiť množstvo odpadu elektrických a elektronických prístrojov, znížiť nebezpečenstvo súčastí, podporiť opätovné použitie prístroja, zhodnotiť odpad a zaviesť vhodný systém spracovania odpadu s cieľom zvýšiť účinnosť ochrany životného prostredia bol ustanovený súbor úloh uplatniteľných na výrobu výrobku a ďalšie úlohy týkajúce sa správneho spracovania životného prostredia, keď sa z týchto výrobkov stane odpad.
- Je tiež zameraný na zlepšenie environmentálnych postupov všetkých činiteľov zapojených do elektrických a elektronických tovarov, vrátane výrobcov, distribútorov, používateľov a najmä tých, ktorí sa priamo podieľajú na spracovaní odpadu pochádzajúceho z týchto prístrojov.
- Od 13. augusta 2005 existujú dva spôsoby nakladania s týmto prístrojom:
- Ak si kúpite nový ekvivalentný prístroj alebo taký, ktorý má tie isté funkcie ako ten, ktorý chcete zlikvidovať, môžete ho pri nákupe bezplatne odovzdať distribútorovi, príp.
- Môžete ho odnieť na miestne zberné miesta.
- Pokryjeme náklady na spracovanie odpadu.
- Prístroj je označený symbolom „prečiarknutej nádoby na odpad“. Tento symbol znamená, že prístroj je predmetom zberu triedeného odpadu, odlišného od zberu bežného odpadu.
- Naše výrobky sú navrhnuté a vyrobené z najkvalitnejších, ekologických materiálov a komponentov, ktoré sa dajú opätovne použiť a recyklovať. Napriek tomu, je niekoľko portov tohto výrobku, ktoré nie sú biologicky odbúrateľné, a preto by nemali zostať v životnom prostredí. Pre správnu recykláciu tohto výrobku úplne odpojte elektrický motor od zvyšku filtračného zariadenia.

**CONDIȚII GENERALE**

- În conformitate cu aceste prevederi, vânzătorul garantează că produsul corespunzător acestei garanții („Produsul”) este în stare perfectă la momentul livrării.
- Termenul de garanție pentru produs este de doi (2) ani de la data livrării către cumpărător.
- În cazul apariției oricărui defect al Produsului care este notificat de către cumpărător vânzătorului pe parcursul Termenului de garanție, vânzătorul va fi obligat să repare sau să înlocuiască Produsul, pe cheltuiala sa și oriunde consideră adecvat, cu excepția cazului în care acest lucru este imposibil sau nerezonabil.
- Dacă nu este posibil să se repare sau să se înlocuiască produsul, cumpărătorul poate solicita o reducere proporțională a prețului sau, dacă defectul este suficient de semnificativ, rezilierea contractului de vânzare.
- Piesele înlocuite sau reparate conform acestei garanții nu vor prelungi perioada de garanție a produsului original, dar vor avea o garanție separată.
- Pentru ca această garanție să intre în vigoare, cumpărătorul trebuie să furnizeze dovada datei de cumpărare și livrare a Produsului.
- Dacă după șase luni de la livrarea Produsului la cumpărare; el notifică un defect al Produsului, cumpărătorul trebuie să furnizeze dovada originii și existenței defectului pretins.
- Acest certificat de garanție este emis fără a aduce atingere drepturilor corespunzătoare consumatorilor în conformitate cu reglementările naționale.

**CONDIȚII INDIVIDUALE**

- Această garanție acoperă produsele menționate în acest manual.
- Acest certificat de garanție se va aplica numai în țările Uniunii Europene.
- 2.3 Pentru ca această garanție să fie eficientă, cumpărătorul trebuie să urmeze cu strictețe instrucțiunile producătorului incluse în documentația furnizată împreună cu produsul, în cazurile în care este aplicabilă în funcție de gama și modelul produsului.
- Când este specificat un program de timp pentru înlocuirea, întreținerea sau curățarea anumitor piese sau componente ale Produsului, garanția va fi valabilă numai dacă acest program de timp a fost respectat.

**LIMITĂRI**

- Această garanție se va aplica numai vânzărilor efectuate către consumatori, înțelegând de către „consumator”, o persoană care achiziționează Produsul în scopuri care nu au legătură cu activitățile sale profesionale.
- Uzura normală rezultată din utilizarea produsului nu este garantată. În ceea ce privește piesele, componentele și / sau materialele consumabile sau consumabile, cum ar fi bateriile, becurile etc., se vor aplica prevederile din documentația furnizată împreună cu produsul.
- Garanția nu acoperă acele cazuri în care Produsul; (I) a fost tratat incorect; (II) a fost reparat, reparat sau manipulat de persoane neautorizate sau (III) a fost reparat sau reparat fără a utiliza piese originale. În cazurile în care defectul Produsului este rezultatul unei instalări sau porniri incorecte, această garanție se va aplica numai atunci când respectiva instalare sau pornire este inclusă în contractul de vânzare a Produsului și a fost efectuată de vânzător sau în temeiul acestuia responsabilitate.

**CONTAINER DE DEȘURI TĂIAT**

- Pentru a reduce cantitatea de deșuri de aparate electrice și electronice, pentru a reduce pericolul componentelor, pentru a încuraja reutilizarea aparatelor, pentru a evalua deșeurile și pentru a crea un sistem adecvat de tratare a în scopul îmbunătățirii eficienței protecției mediului, a fost stabilit un set de reguli aplicabile la fabricarea produsului și alte reguli privind tratamentul corect al mediului atunci când aceste produse devin deșuri.
- Se intenționează, de asemenea, să îmbunătățească practicile de mediu ale tuturor agenților implicați în produsele electrice și electronice, inclusiv producătorii, distribuitorii, utilizatorii și în special cei implicați direct în tratarea deșeurilor derivate din aceste aparate.
- Începând cu 13 august 2005, există două modalități de eliminare a acestui aparat:
- Dacă achiziționați un nou aparat echivalent sau care are aceleași funcții ca cel pe care doriți să îl dispuneți, îl puteți preda, gratuit, către distribuitor la efectuarea achiziției sau · Puteți să-l duceți la punctele locale de colectare.
- Vom acoperi costurile de tratare a deșeurilor.
- Aparatul este etichetat cu simbolul „containerului de deșuri tăiat”. Acest simbol înseamnă că aparatul este supus colectării deșeurilor selectate, diferită de colectarea generală a deșeurilor.
- Produsele noastre sunt proiectate și fabricate cu materiale și componente ecologice de înaltă calitate, care pot fi refolosite și reciclate. Cu toate acestea, mai multe părți ale acestui produs nu sunt biodegradabile și, prin urmare, nu trebuie lăsate în mediu. Pentru reciclarea corectă a acestui produs, detașați complet motorul electric de restul echipamentului de filtrare.

If You Have Any Problem, Contact Us!	England	<a href="http://www.grepool.com/en/after-sales">www.grepool.com/en/after-sales</a>
Si Tienes Algun Problema, ¡Consultenos!	España	<a href="http://www.grepool.com/post-venta">www.grepool.com/post-venta</a>
En Cas De Probleme, Nous Consulter!	France/ Belgie	<a href="http://www.grepool.com/fr/apres-vente">www.grepool.com/fr/apres-vente</a>
Sollten Sie Probleme Haben, Zögern Sie Bitte Nicht, Uns Zu Kontaktieren!	Deutschland	<a href="http://www.grepool.com/de/kundenservice">www.grepool.com/de/kundenservice</a>
Per Ogni Vostra Eventuale Occorrenza, Interpellateci!	Italia	<a href="http://www.grepool.com/it/post-vendita">www.grepool.com/it/post-vendita</a>
Em Caso De Problema, ¡Consultar-Nos!	Portugal	<a href="http://www.grepool.com/pt/pos-venda">www.grepool.com/pt/pos-venda</a>
Mocht U Een Probleem Hebben, ... ¡Raadpleeg Ons!	Nederlands	<a href="http://www.grepool.com/nl/na-verkoop">www.grepool.com/nl/na-verkoop</a>
W razie problemów, skontaktuj się z nami	Poland	<a href="http://www.grepool.com/en/after-sales">www.grepool.com/en/after-sales</a>
Om du har några problem, kontakta oss!	Sweden	<a href="http://www.grepool.com/en/after-sales">www.grepool.com/en/after-sales</a>
Ak máte akýkoľvek problém, kontaktujte nás!	Slovakia	<a href="http://www.grepool.com/en/after-sales">www.grepool.com/en/after-sales</a>
Dacă ați orice problemă, contactați- ne!	Romania	<a href="http://www.grepool.com/en/after-sales">www.grepool.com/en/after-sales</a>

DISTRIBUTED BY / DISTRIBUIDO POR / DISTRIBUÉ PAR / VERTRIEB DURCH  
/ DISTRIBUITO DA / GEDISTRIBUEERD DOOR / DISTRIBUÍDO POR  
/ DYSTRYBUOWANE PRZEZ / DISTRIBUERAS AV:

**MANUFACTURAS GRE, S.A.**  
**ARITZ BIDEA N° 57 BELAKO INDUSTRIALDEA, APARTADO 69**  
**48100 MUNGUIA (VIZCAYA) ESPAÑA**  
**N° Reg. Ind. 48-06762**

- We reserve the right to change all or part of the articles or contents of this document, without prior notice
- Nos reservamos el derecho de cambiar total o parcialmente las características de nuestros artículos o el contenido de este documento sin previo aviso
- Nous nous réservons le droit de modifier totalement ou en partie les caractéristiques de nos articles ou le contenu de ce document sans préavis
- Wir behalten uns das Recht vor, die technischen Daten unserer Artikel oder den Inhalt dieses Dokumentes ohne vorherigen Hinweis ganz oder teilweise zu ändern
- Ci riserviamo il diritto di cambiare totalmente o parzialmente le caratteristiche tecniche dei nostri prodotti ed il contenuto di questo documento senza nessun preavviso
- Wij behouden ons het recht voor geheel of gedeeltelijk de kenmerken van onze artikelen of de inhoud van deze handleiding zonder voorafgaand bericht te wijzigen
- Reservamo-nos o direito de alterar, total ou parcialmente, as características dos nossos artigos ou o conteúdo deste documento sem aviso prévio.
- Zastrzegamy sobie prawo do zmiany w całości lub części niniejszej instrukcji bez uprzedniej informacji
- Vyhrazujeme si právo na změnu součástí nebo prvků výrobku nebo obsahu tohoto dokumentu bez oznámení.
- Vyhradujeme si právo na zmenu všetkých článkov alebo ich častí alebo obsahu tohto dokumentu bez predchádzajúceho upozornenia.
- Ne rezervăm să schimbăm total sau parțial articolele sau conținutul acestui document, fără notificare prealabilă.
- Vi förbehåller oss rätten att ändra hela eller delar av funktionerna i artiklarna eller innehållet i detta dokument utan föregående meddelande.
- Vi forbeholder os retten til at ændre hele eller dele af artiklerne eller indholdet af dette dokument, uden forudgående varsel.
- Vi forbeholder oss retten til å endre hele eller deler av artiklene eller innholdet i dette dokumentet, uten forvarsel.
- Pidätämme oikeuden muuttaa tämän asiakirjan artikkeleita tai sisältöä kokonaan tai osittain
- Me jätame endale õiguse muuta kõiki või osa selle dokumendi artikleid või sisu ette teatamata.



EVIDENCE OF CONFORMITY  
DECLARACIÓN DE CONFORMIDAD  
DÉCLARATION DE CONFORMITÉ  
EU-KONFORMITÄTSERKLÄRUNG  
DICHIARAZIONE DI CONFOMITÀ  
OVEREENSTEMMIGGSVERK LARING  
DECLARAÇAU DE CONFORMIDADE  
DEKLARACJA ZGODNOŚCI UE  
EVROPSKÉ PROHLÁŠENÍ O SHODĚ  
VYHLÁSENIE O ZHODE EÚ  
DECLARAȚIA DE CONFORMITATE





[www.grepool.com](http://www.grepool.com)

DISTRIBUTED BY - DISTRIBUIDO POR - DISTRIBUÉ PAR- VERTRIEB DURCH - DISTRIBUITO DA - GEDISTRIBUEERD DOOR - DISTRIBUÍDO POR - WYPRODUKOWANY PRZEZ - DISTRIBUTOR - DISTRIBÚTOR - DISTRIBUIT DE - DISTRIBUERAD AV:  
**MANUFACTURAS GRE S.A. - ARITZ BIDEA N° 57 BELAKO INDUSTRIALDEA - APARTADO 69 - 48100 MUNGUIA (VIZCAYA) ESPAÑA**  
**N° REG. IND.: 48-06762**  
MADE IN CHINA - FABRICADO EN CHINA - FABRIQUÉ AU CHINE - HERGESTELLT IN CHINA - PRODOTTO IN CHINA - GEPRODUCEERD IN CHINA - FABRICADO NA RPC - WYPRODUKOWANO W CHINACH - VYROBENO V ČINĚ - VYROBENÉ V ČINE - FABRICAT ÎN CHINA - TILLVERKAD I KINA