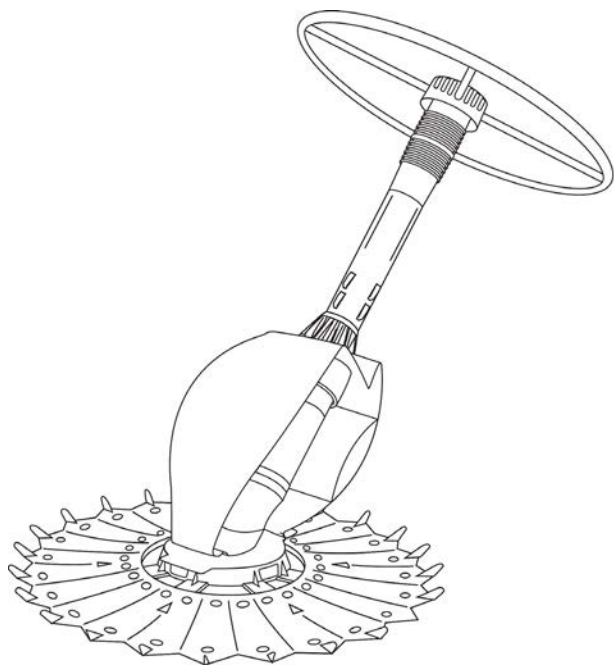


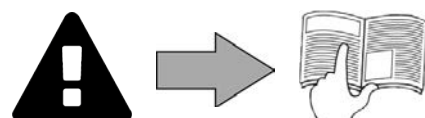
# KONTIKI 2

**Instructions for installation and use** - English  
Hydraulic cleaner  
Translation of the original instructions in French

**EN**



More documents on:  
[www.zodiac.com](http://www.zodiac.com)





## WARNINGS

### GENERAL WARNINGS

- Failure to respect the warnings may cause serious damage to the pool equipment or cause serious injury, even death.
- Only a person qualified in the technical fields concerned (electricity, hydraulics or refrigeration) is authorised to perform this procedure. The qualified technician working on the appliance must use/wear personal protective equipment (such as safety goggles and protective gloves, etc.) in order to reduce the risk of injury occurring when working on the appliance.
- Before servicing the appliance, ensure that it is switched off and isolated from the power supply circuit.
- The appliance is intended to be used only for swimming pools and spas; it must not be used for any purpose other than that for which it has been designed.
- It is important that the appliance is operated by people who are competent and qualified (both physically and mentally), after having read the instructions for use. Persons not meeting these criteria should not be allowed access to the appliance in order to prevent risk of property damage of injury, including loss of life.
- Keep the appliance out of the reach of children.
- The appliance must be installed according to the manufacturer's instructions and in compliance with all applicable local and national standards. The installer is responsible for installing the appliance and for compliance with national installation regulations. Under no circumstances may the manufacturer be held liable in the event of failure to comply with applicable local installation standards.
- For any work other than the simple user maintenance described in this manual, the product should be referred to a qualified professional.
- Incorrect installation and/or use may cause serious damage to property or serious injuries (possibly causing death).
- All equipment, even postage and packing paid, travels at the risks and perils of the recipient. The latter shall issue reserves in writing on the carrier's delivery slip if damage is detected, caused during transport (confirmation to be sent to the carrier within 48 hours by registered letter). In the event that an appliance containing coolant has been turned on its side, mention your reservations in writing to the carrier.
- If the appliance suffers a malfunction, do not try to repair it yourself; instead contact a qualified technician.
- Refer to the warranty conditions for details of the permitted water balance values for operating the appliance.
- In addition to using spare parts manufactured by unauthorised third-party manufacturers, deactivating, eliminating or by-passing any of the safety mechanisms integral to the appliance, will automatically void the warranty.
- Do not spray insecticide or any other chemical (inflammable or non-inflammable) in the direction of the appliance, as this may damage the body and cause a fire.
- Zodiac® heat pump, filtration pump and filter appliances are compatible with the most commonly used types of pool water treatment systems.
- Do not touch the fan and/or any moving parts and do not insert anything, including your fingers in the vicinity of the moving parts while the appliance is in operation.

### SPECIFIC FEATURES APPLICABLE TO «Pool cleaners»

- The cleaner must operate in pool water with a temperature of between 15°C and 35°C.
- To avoid possible injury and damage to the cleaner, do not operate the cleaner out of the water.
- In order to prevent possible injury, bathing is prohibited when your cleaner is in the pool.
- Do not use the cleaner during shock chlorination.
- Do not leave the cleaner unattended for an extended period.

### WARNING ON THE USE OF A CLEANER IN A POOL WITH A VINYL SURFACE:

- Before installing your new cleaner, carefully inspect the lining of your pool. If the liner has eroded in some areas, or if you notice gravel, folds, roots or corrosion caused by metal on the inner surface of the liner, or if you notice that the support (bottom and walls) is damaged, do not install the cleaner before performing the necessary repairs or before replacing the liner using a qualified professional. The manufacturer cannot be held liable in any way for damage caused to the liner.
- The surface of certain vinyl patterned surfaces can wear rapidly and the patterns disappear on contact from objects such as cleaning brushes, toys, inflatable buoys, chlorine distributors and automatic pool cleaners. The decoration on some vinyl surfaces can be scratched or worn by basic friction such as through the use of a pool brush. The colours of certain patterns can also be erased during use or when in contact with objects in the pool. The erased patterns, wear or scratching of vinyl surfaces are not the liability of the manufacturer and are not covered by the limited warranty.

EN

### Recycling



This symbol means that your appliance must not be thrown into a normal bin. It will be selectively collected for the purpose of reuse, recycling or transformation. If it contains any substances that may be harmful to the environment, these will be eliminated or neutralised.

Contact your dealer for recycling information.



- Before you do anything with the device, it is vital that you read this installation and user manual, as well as the “warnings and warranty” booklet delivered with the device. Failure to do so may result in material damage or serious or fatal injury and will invalidate the warranty.
- Save these instructions for future reference for service and maintenance.
- It is prohibited to distribute or modify this document in any way without authorisation from Zodiac®.
- Zodiac® is constantly developing its products to improve their quality; therefore, the information contained in this document may be modified without notice.

## CONTENTS



### 1 Specifications

3

1.1 | Description

3

1.2 | Technical specifications and marking

4



### 2 Installation

5

2.1 | Assembly

5

2.2 | Hose section assembly

6

2.3 | Hydraulic connections

7



### 3 Use

10

3.1 | Operating principle

10

3.2 | Pool preparation

10

3.3 | Operating

10

3.4 | Optimising cleaner performance

11



### 4 Maintenance

12

4.1 | Cleaning the filtration pump basket

12

4.2 | Cleaning the “Cyclonic™” Leaf Catcher

12

4.3 | Replacing the diaphragm

13

4.4 | Storage and wintering

13



### 5 Troubleshooting

14

5.1 | Device behaviour

14



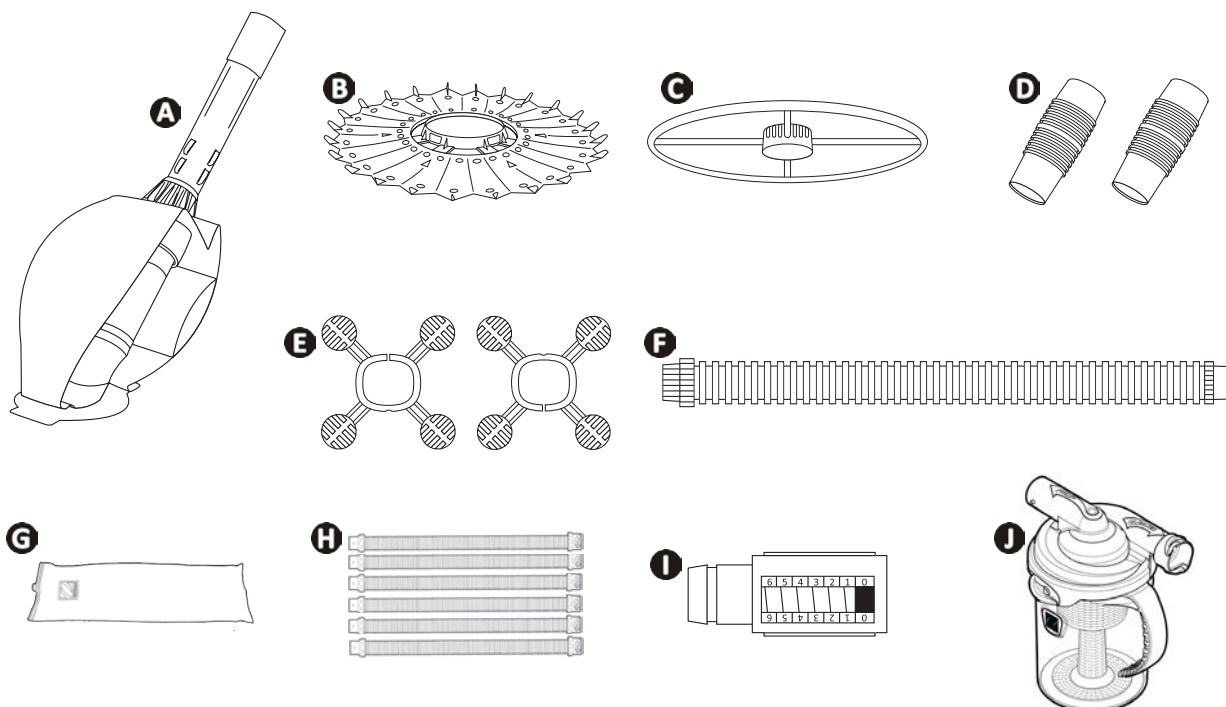
#### **Tip: to make it easier to contact your reseller**

Write down your reseller’s contact details to help you find them more easily and fill in the “product” information on the back of the manual; your reseller will ask you for this information.



# 1 Specifications

## 1.1 | Description



EN

		KONTIKI 2
A	Cleaner body	✓
B	Disc	✓
C	Deflector wheel	✓
D	Adapters	✓ (x2)
E	Hose deflectors	✓ (x2)
F	Hoses of 1 metre	✓ (x8)
G	Wintering bag for hoses	+
H	Set of 6 1-metre hose sections	+
I	Flow gauge	+
J	"Cyclonic™" Leaf Catcher	+

✓ : Supplied

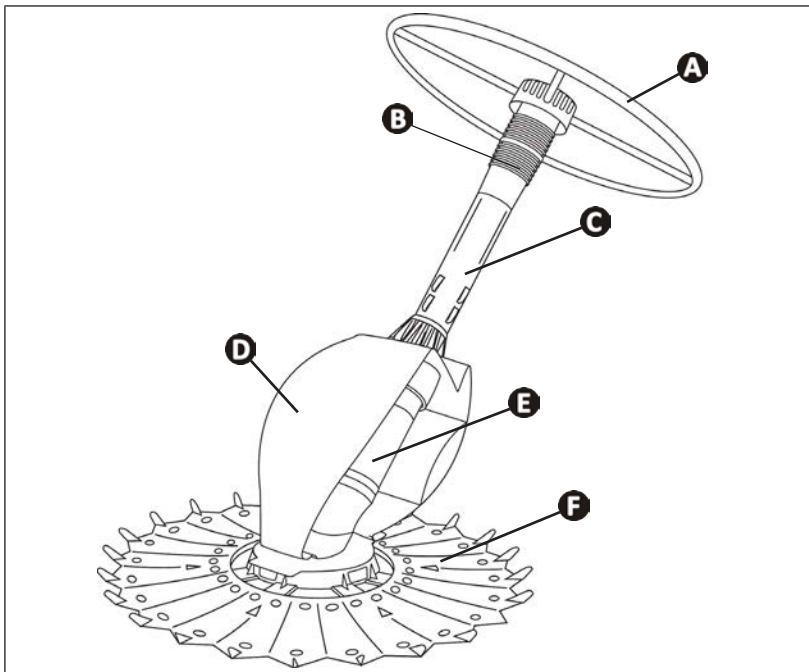
+ : Available as an option

## ➤ 1.2 I Technical specifications and marking

### 1.2.1 Technical specifications

	KONTIKI 2
Cleaner size (L x W x h)	48 x 20 x 40 cm
Package size (L x W x h)	101 x 31,5 x 33 cm
Cleaner weight	1,3 kg
Packaged weight	5,5 kg
Theoretical cleaning width	40 cm
Filtration capacity	Pool filtering circuit
Minimum powered required for the filtering pump.	1/2 HP
Movement speed	6 m/ min

### 1.2.2 Marking



- A**: Circular deflector
- B**: Adapter
- C**: External exhaust hose
- D**: Cleaner body
- E**: Cartridge
- F**: Disc



## 2 Installation

### 2.1 I Assembly

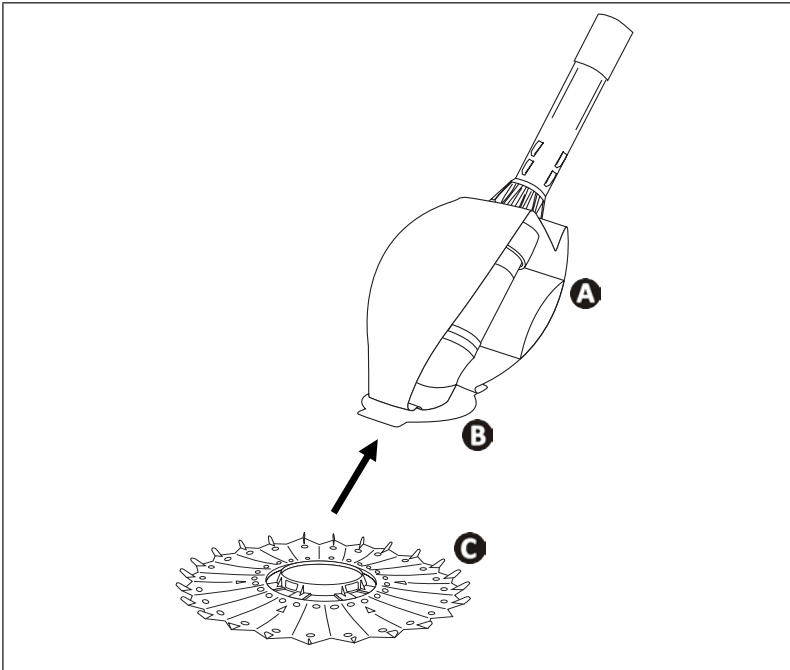
The cleaner comes partly assembled. You only have to fit :

- The disc,
- The deflector wheel,

And assemble the hoses.

#### 2.1.1 The disc

- Fix the disc on to the cleaner body ; position it in the groove provided.



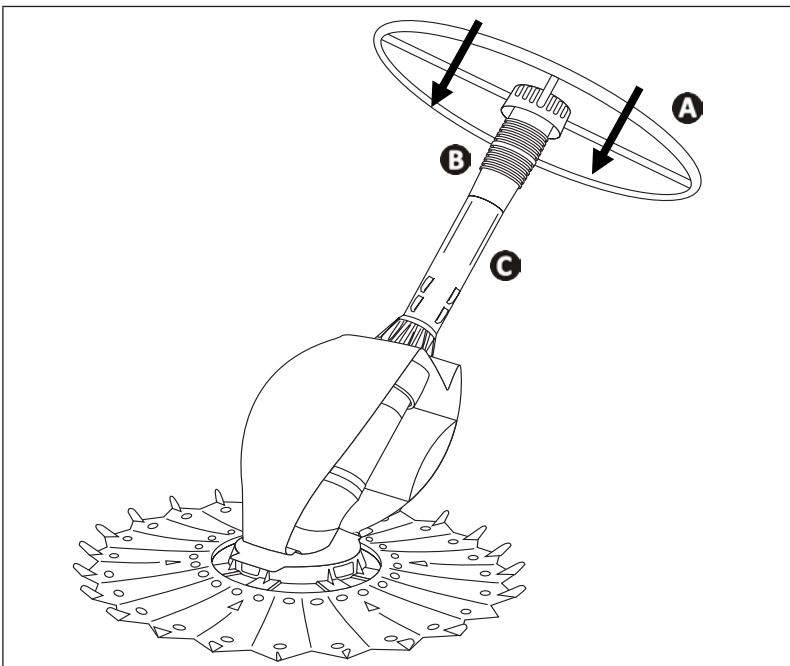
**A** : Cleaner body

**B** : Groove

**C** : Disc

#### 2.1.1 The deflector wheel

- Fix the deflector wheel to one of the two adapters and then fit the female end of the adapter to the external exhaust hose of the cleaner.



**A** : Deflector wheel

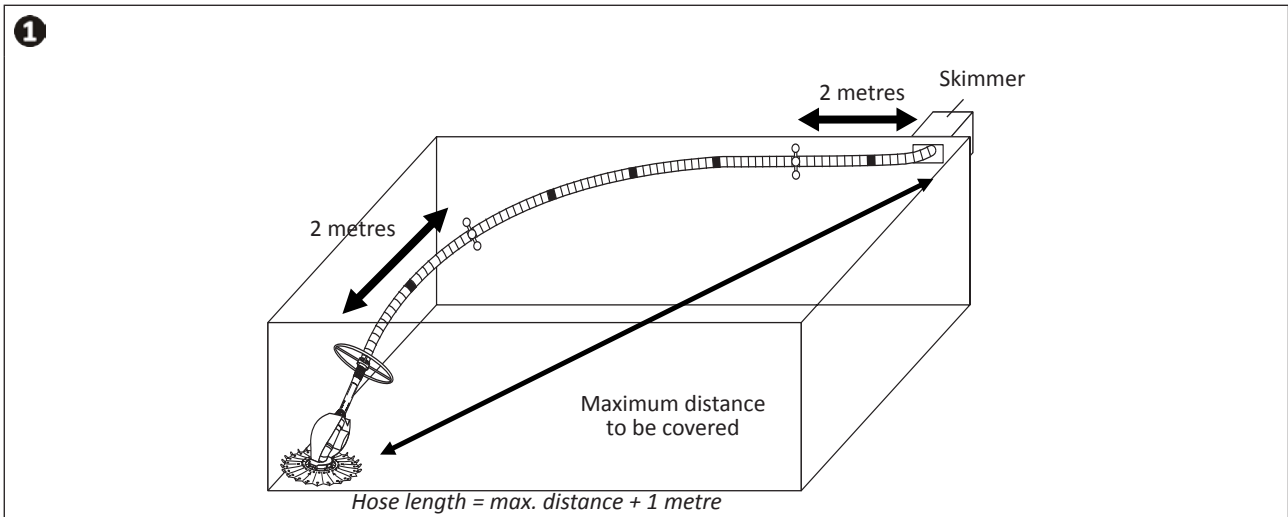
**B** : Adapter (female end)

**C** : External exhaust hose

## 2.2 I Hose section assembly

### 2.2.1 Determine the number of sections you need

- Measure the length between the suction line or the skimmer and the furthest away point of the pool (see image 1).
- Add an extra 1 metre to the length measured (see image 1).
- If total length is over 8 metres, contact your reseller to purchase any additional hose sections required for your pool.

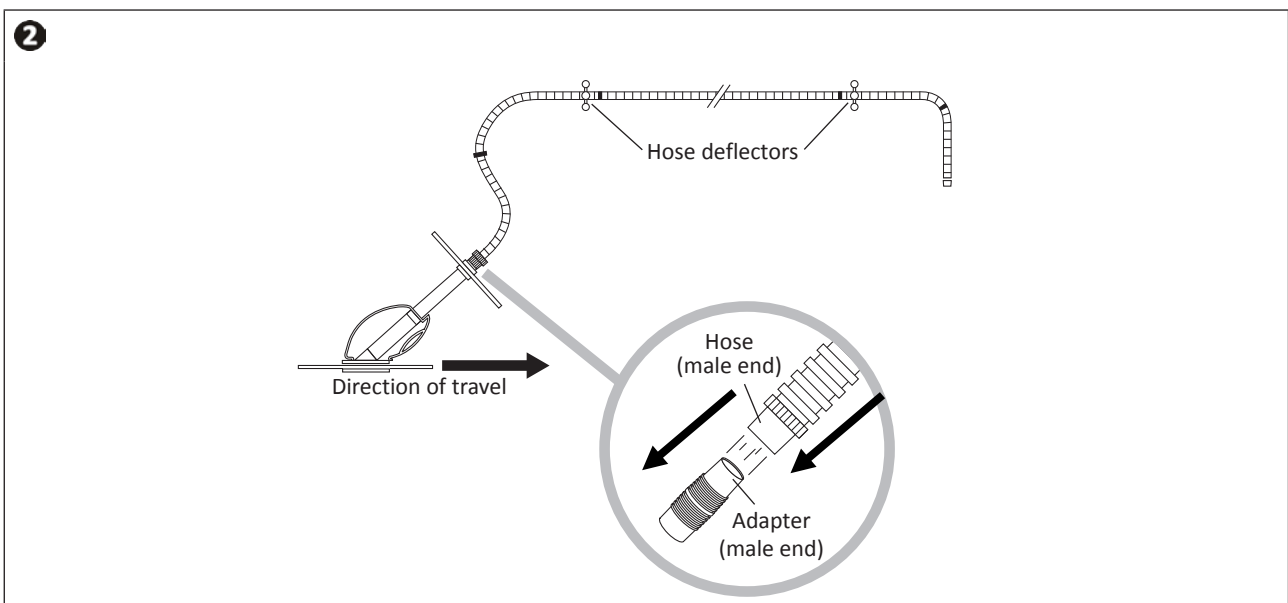


#### **Tip: assemble the «right» quantity of hose sections**

Assembling more hose sections than the length necessary to cover the whole pool is not recommended. Hoses that are too long may limit the cleaner's performance.

### 2.2.2 Hose section assembly and connection to the robot

- When you've worked out the total length required, fit the hose sections into one another.
- Place one hose deflector 2 metres from the cleaner and the other hose deflector 2 metres from the skimmer; this will ensure the cleaner moves around as it should (see image 1).
- To connect the hose to the cleaner, fit the male end of the hose to the male end of the adapter, which has already been fixed to the cleaner (see image 2).



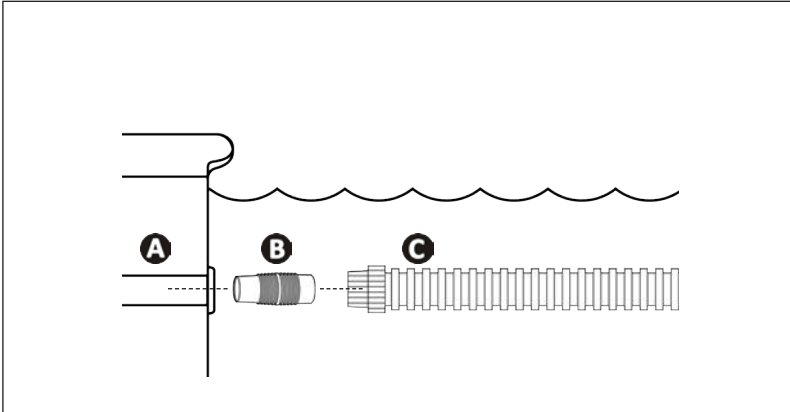


## 2.3 I Hydraulic connections



- Turn off the filtration pump.
- Clean the skimmer basket, the filtration pump filter basket and the filter if necessary.

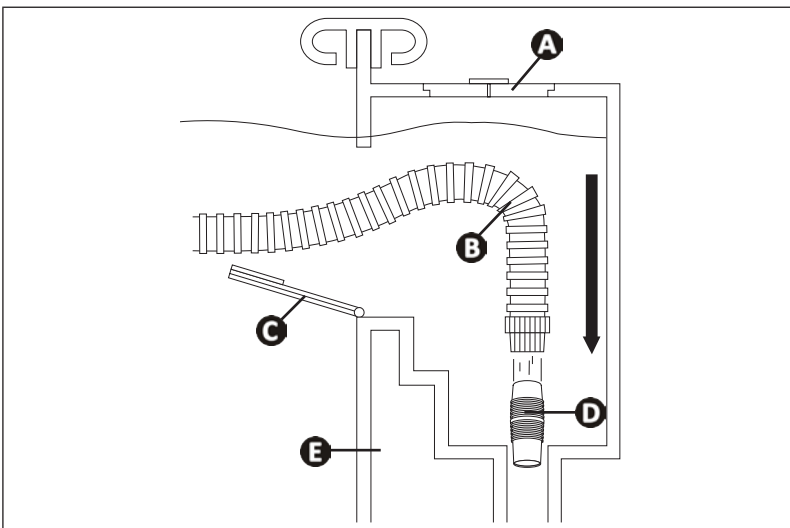
### 2.3.1 Connection to the suction line



- A** : Suction line
- B** : Adapter
- C** : Hose section

### 2.3.2 Connection to the skimmer

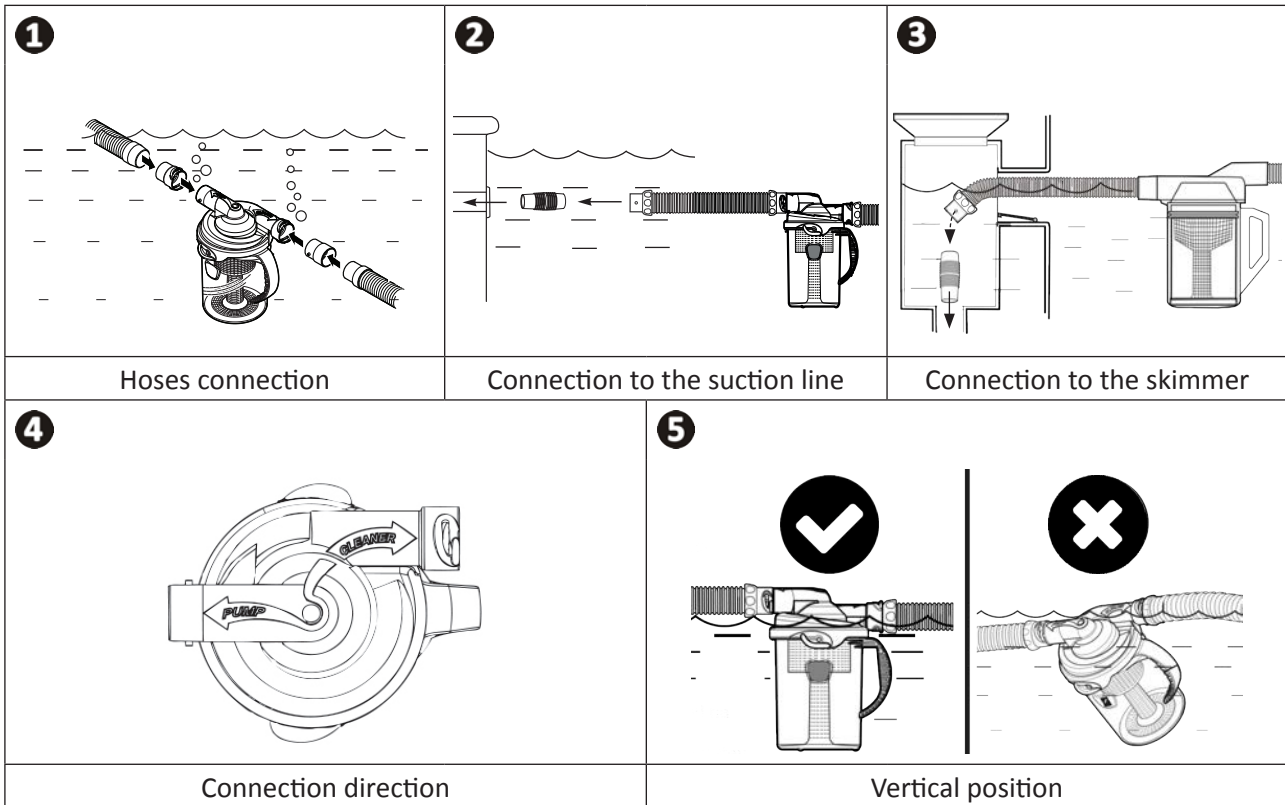
- If the pool has more than one skimmer, connect the hose to the one which is the closest to the filtration pump.



- A** : Skimmer cover
- B** : Hose section
- C** : Skimmer flap
- D** : Adapter
- E** : Skimmer body

### 2.3.3 "Cyclonic™ Leaf Catcher" connection (available as an option)

- Connect the hoses using the adapters supplied with the Cyclonic™ Leaf Catcher (see image ①).
- Connect the Cyclonic™ Leaf Catcher to the hose assembly which is closest to the suction line or the skimmer (see image ② ou ③).
- Tilt the Cyclonic™ Leaf Catcher by following the indications: "PUMP" = filtration pump side / "CLEANER" = cleaner side (see image ④).
- For the bet operation, position the Cyclonic™ Leaf Catcher vertically to the water surface (see image ⑤).



**Tip: Protect the filtration system by connecting the "Cyclonic™ Leaf Catcher"**

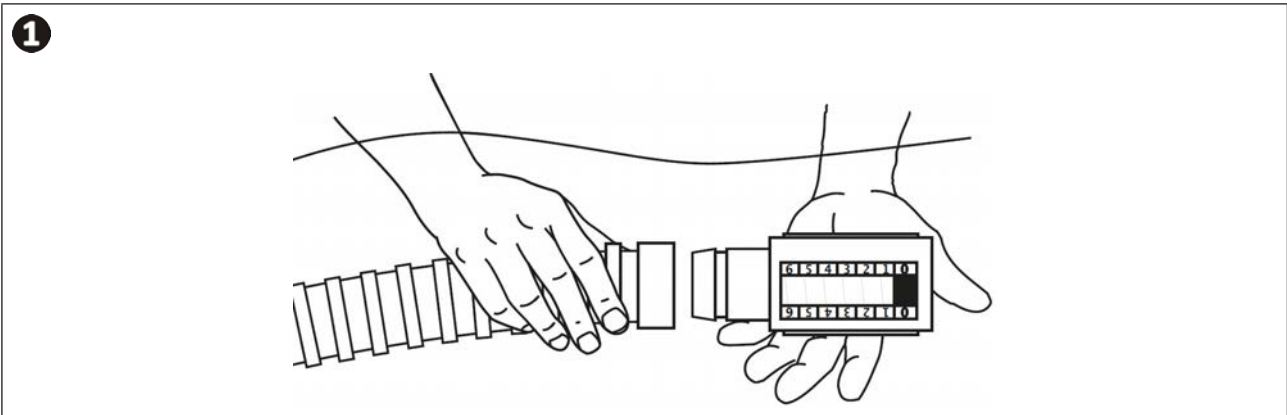


The "Cyclonic™ Leaf Catcher" is used to retain the debris before it is sucked into the filtration system as this may cause long-term damage to the equipment. It also enables the debris to be removed more easily than in the pump filter basket and has the advantage that it is transparent so you can see when it needs to be cleaned.

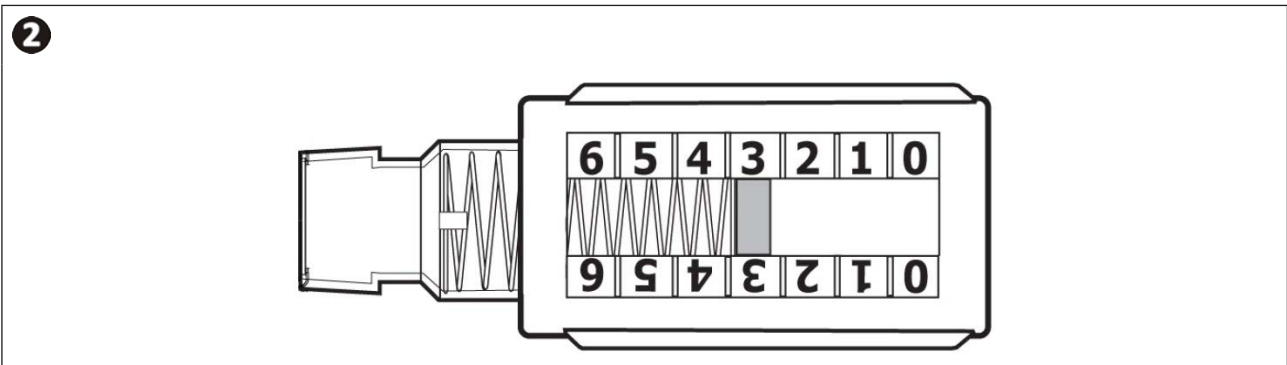
**2.3.4 Flow test and adjustment (available as an option)**

Before installing the cleaner head, test and adjust to determine the ideal flow.

To do this, remove the cleaner from the hose while keeping the cleaner immersed, and replace with the flow switch (see image 1). Start the pump.



Check that the red indicator on the tester (side view) is on setting n°3 (see image 2).



If necessary, use the valves located in the pool technical room to adjust the flow so that the indicator is on setting 3.

- For installation in a pool with a single skimmer, the flow is regulated by the flow regulation valve. The red indicator must be in position 3.
- For installation in a pool with several skimmers, leave the valve for the skimmer connected to the hose open, then gradually close the other skimmer until the indicator is on setting 3.
- For installation on a brush socket, leave the suction line open and gradually close the skimmer line until the flow reaches setting 3.

If the flow is in the low zone (0-2):

- Check and clean the pool filter and baskets if necessary.
- Check that the valves that control the suction lines are correctly open.
- Increase the flow regulation on the regulation valve.

If the flow is in the high zone (4-6):

- If you are using the brush socket, gradually close the valve until position 3 is reached.
- Reduce the flow regulation on the regulation valve.
- Slightly open the bottom drain to reduce the flow a little more.

Stop the pump. While keeping the hose immersed, remove the flow tester.



## 3 Use

### 3.1 | Operating principle

The hydraulic cleaners connect to the filtration system (either to a suction line or a skimmer); they use the filtration pump's energy to move around the pool. The wall climbing capacity varies according to the shape of the pool and the available water flow. The debris is sucked in by the cleaner and captured in the filtration pump's filter basket or in the Cyclonic™ Leaf Catcher (optional accessory).

### 3.2 | Pool preparation



- This product is intended for use in permanent-installation above-ground swimming pools since it cannot be easily disassembled and stored.

- The device must operate in pool water with the following quality:

Water temperature	Between 15°C and 35°C
pH	Between 6.8 and 7.6
Chlorine	< 3 mg/l

- When the pool is dirty, especially when first installing your cleaner, remove the largest debris using a telescopic pole and net prior to installing the cleaner.
- Remove any thermometers, toys and other objects that might damage the device.
- After adding chemical products to the water, wait at least 4 hours before putting the cleaner into the water.
- Make sure that the filtration and the skimmer baskets are clean.
- Aim the pool return lines downward if adjustable.
- Close the pool's main drain line.
- Turn off the filtration pump off.

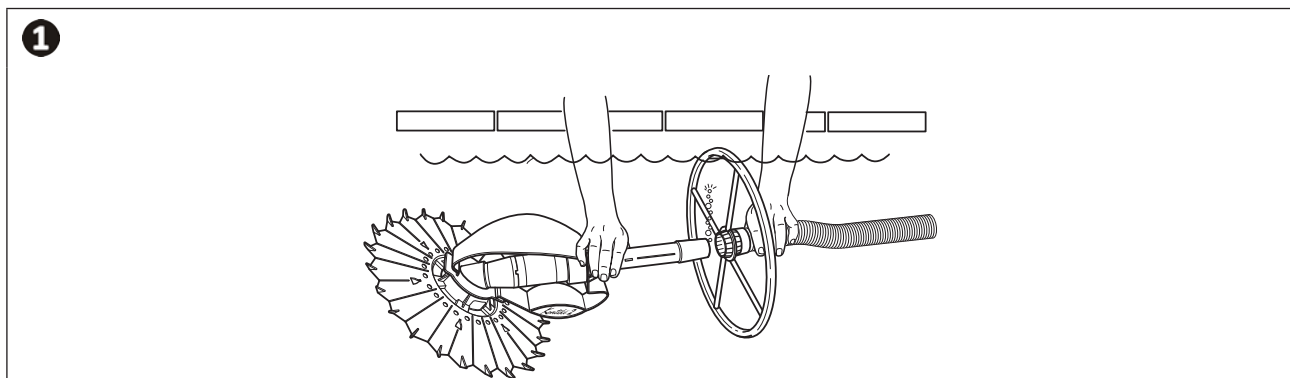
### 3.3 | Operating



- To avoid serious injury, make sure the filtration pump is turned off.
- Do not expose your hair, loose clothing, jewellery, etc. to the open end of the hose.

#### 3.3.1 Connecting and immersing the cleaner

- Immerse the cleaner so that it fills up with water.
- When there are no more air bubbles escaping from the cleaner, connect the hose onto the cleaner (see image 1).
- Let the cleaner descends to the bottom of the pool.



#### 3.3.2 Filling the hose assembly

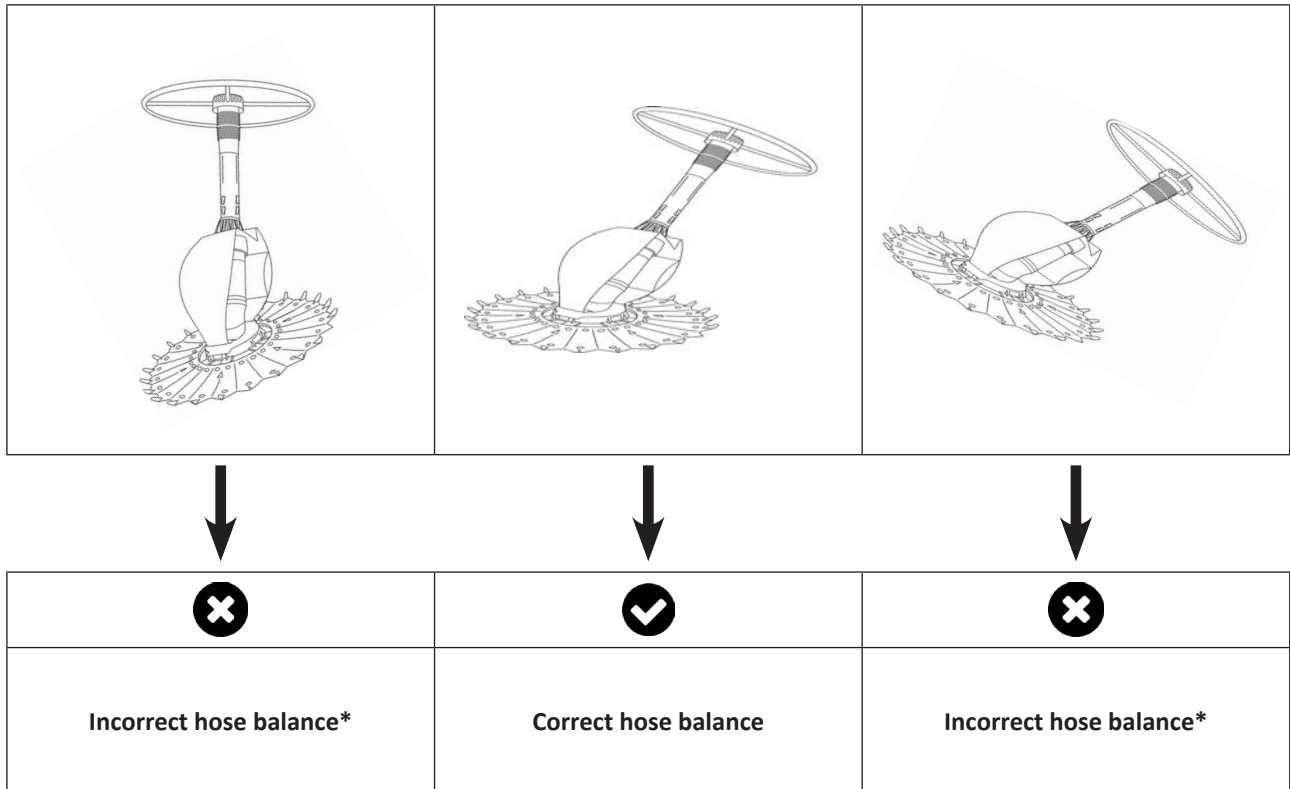
- Disconnect the hose assembly from the suction line or skimmer temporarily.
- Turn on the filtration pump.
- Fill the hose assembly with water by placing the open end in front of a pool return line until it is filled.
- Turn off the filtration pump and connect the hose assembly to the dedicated suction line or skimmer.
- Turn on the filtration pump on to activate the pool cleaner.

### ➤ 3.4 | Optimising cleaner performance

The robot follows the pool filter pump activation cycles, sucking and cleaning the entire pool surface using random movements. The cleaner coverage rate depends on the shape of the pool and the available water flow. Adjustments may be required in some pools to optimise the coverage rate.

#### 3.4.1 Hose balancing

- A correctly balanced hose must form a 45° angle between the cleaner and the bottom of the pool.



EN

\* See § 5.1 | Device behaviour: «The cleaner doesn't clean every area in your pool».



## 4 Maintenance

- The device must be cleaned regularly using clean or slightly soapy water. Do not use any solvents.
- Rinse the device generously using clean water.
- Never store the cleaner in direct sunlight. Store the hoses laying flat and not coiled to prevent unwanted hose memory.

### 4.1 I Cleaning the filtration pump basket

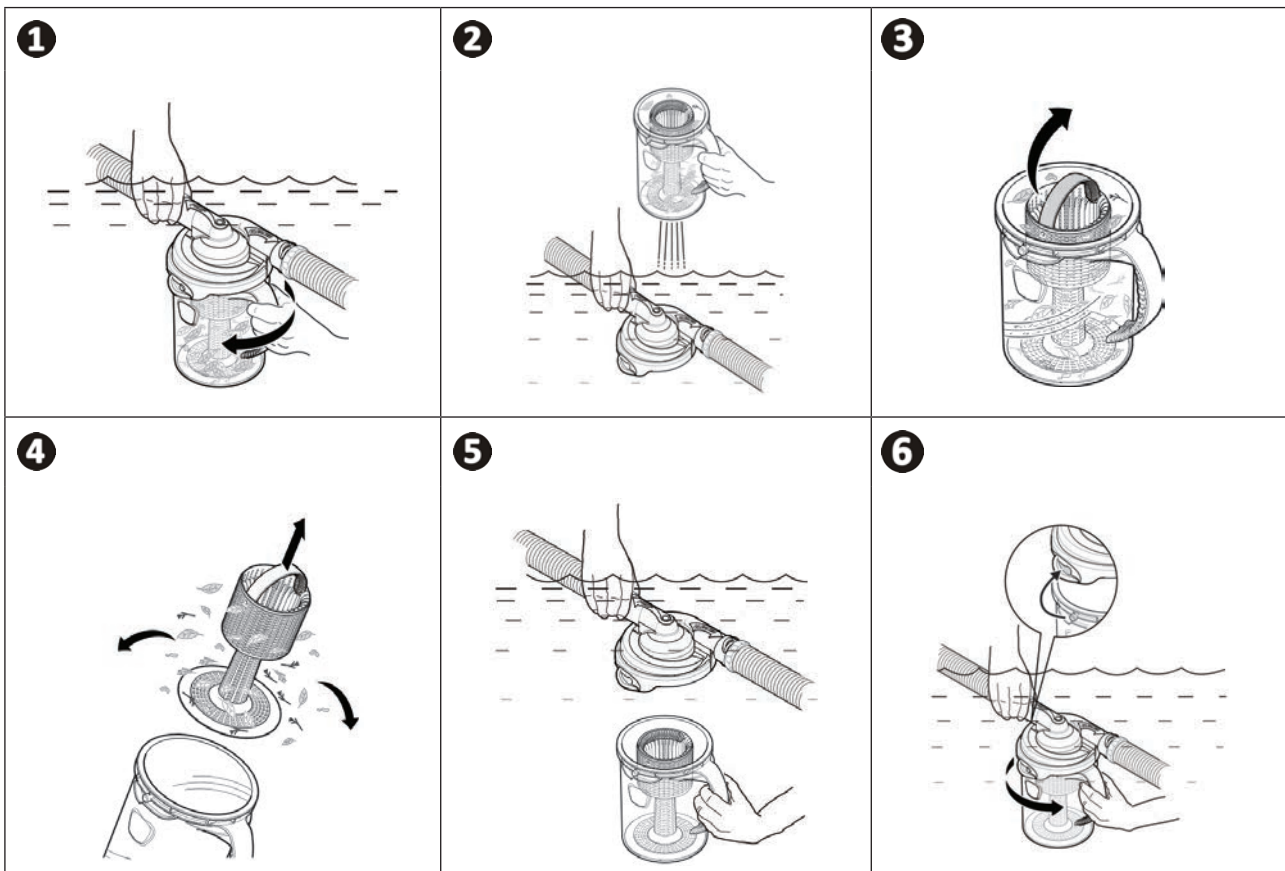


- Always remove the cleaner from the pool before cleaning or bleeding the filtration system.
- Before cleaning (and before you put the cleaner back into the water), start the filtration pump for at least 5 minutes before you bleed the circuit.

- For maximum cleaner performance it is recommended the filtration pump basket be kept clean by removing debris as needed.
- Use of the Cyclonic™ Leaf Catcher (optional accessory) is recommended to collect large debris before it reaches the skimmer and the pump basket.

### 4.2 I Cleaning the “Cyclonic™ Leaf Catcher” (available as an option)

- Turn off the filtration pump.
- Keep the Cyclonic™ Leaf Catcher under the water and take hold of it by the handle. Using the handle, turn the transparent canister until it detaches (see image 1).
- Remove the transparent canister from the water and leave the lid and the hoses under the water (see image 2).
- Remove the filter using the top handle (see image 3).
- Remove the debris and rinse the transparent canister in clean water (see image 4).
- Put the filter back in place and immerse the Cyclonic™ Leaf Catcher again (see image 5).
- Position the transparent canister correctly on the lid notches then turn it sharply to push the 2 parts in (see image 6).



### ➤ 4.3 I Replacing the diaphragm



Before starting this operation and to avoid serious injury:

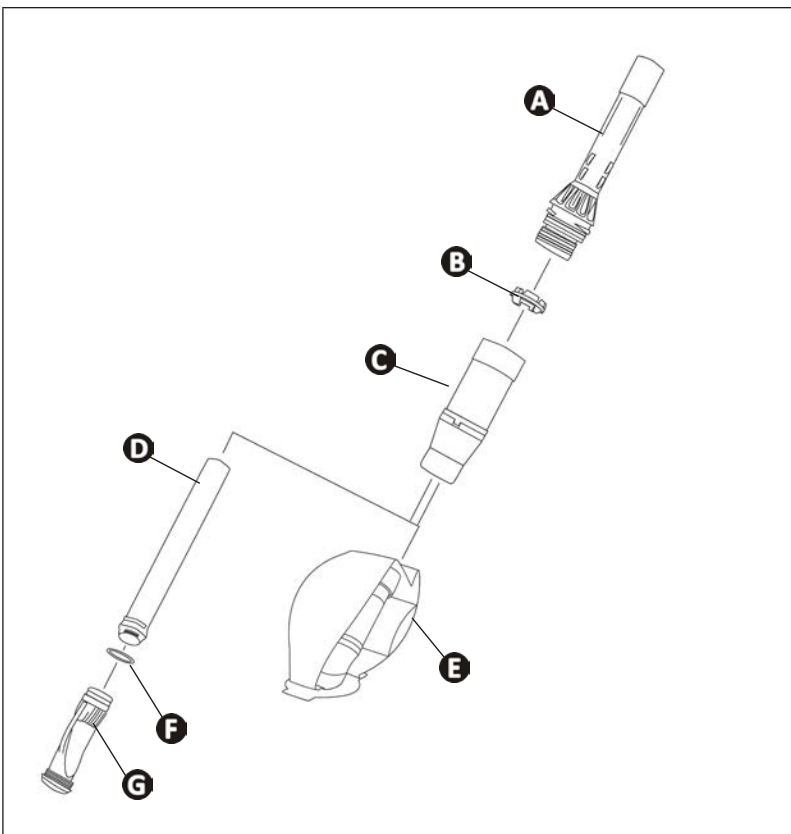
- Turn off the filtration pump.
- Disconnect the cleaner from the hose assembly.

- Disconnect the external exhaust hose (A) and the cartridge (C) from the cleaner body (E) by unscrewing the ring (B) of the external exhaust hose.
- Unscrewing the external exhaust hose.
- Push on the transparent internal exhaust hose (D) to reveal the diaphragm (G).
- Remove the damaged diaphragm together with its suction valve (F).

To fit the new diaphragm, follow the above steps in reverse order:

- Fit the suction valve (F) to the new diaphragm (G) and the diaphragm to the transparent internal exhaust hose (D).
- Pull on the transparent internal exhaust hose to replace the diaphragm in its housing and retighten the external exhaust hose (A).
- Replace the assembly in the cleaner body (E) and retighten the ring on the external exhaust hose (B) by forcing it to the stop until it is fully locked in place.

EN



- A : External exhaust hose
- B : Ring
- C : Cartridge
- D : Internal exhaust hose
- E : Cleaner body
- F : Suction valve
- G : Diaphragm

### ➤ 4.4 I Storage and winterizing

- For winterizing, drain off all the water from the cleaner (damage caused by frost is not covered by the warranty).
- Clean the whole device and the hoses in clean water then leave to dry.
- Store the device in a dry place which is protected from freezing conditions. Store the cleaner on its side or back to avoid damage to diaphragm.
- Remove all the connectors and adaptors from the suction line or the skimmer.



**Tip: Preserve the condition of the hoses during storage**

When the cleaner is stored away, even for short periods, avoid rolling the hoses: they may take on a shape which may harm the cleaner's performances.



## 5 Troubleshooting

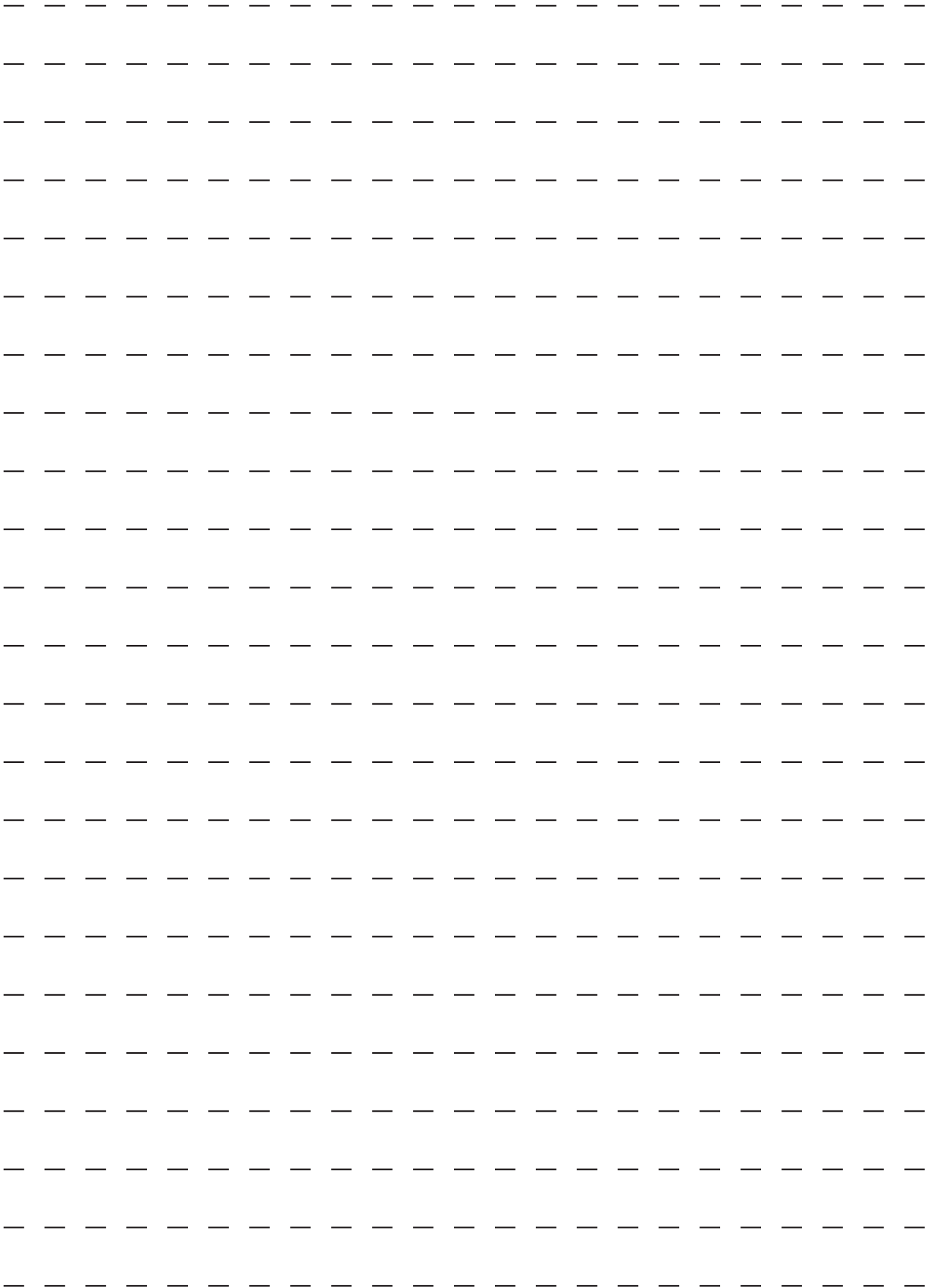


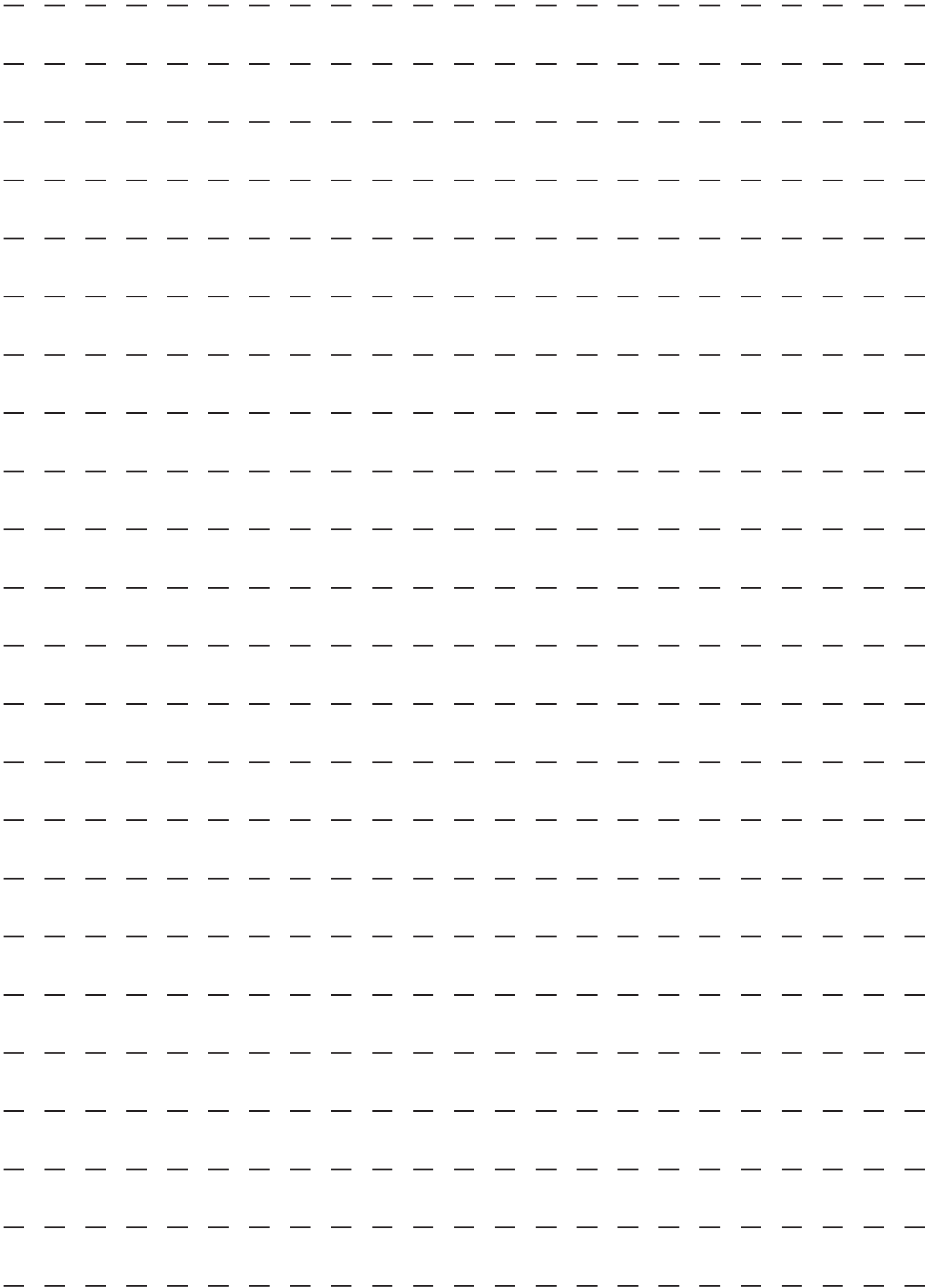
- Before you contact your reseller, please carry out these few simple checks using the following tables if a problem occurs.
- If the problem continues contact your reseller.

### 5.1 I Device behaviour

<p>The cleaner isn't working</p>	<ul style="list-style-type: none"> <li>• The cleaner is designed specifically for 10 to 50 m<sup>3</sup> aboveground pools.</li> <li>• Pools must to be equipped with a self-priming filtration system ensuring a total system flow rate of 5 to 7 m<sup>3</sup>/h, filter pump power over 0.5 hp (or 375 watts).</li> <li>• If the pump is not powerful enough, the cleaner will not move; if the pump is too powerful (greater than 0.5 HP or 375 watts with a flow rate exceeding 7m<sup>3</sup>/h), the cleaner's diaphragm may become damaged and immobilise the cleaner.</li> <li>• Check the diaphragm in your cleaner for damage. Damage can occur in two cases :             <ul style="list-style-type: none"> <li>- Either your pump is too powerful (over 0.5 hp (or 375 watts) with a flow rate above 7 m<sup>3</sup>/h).</li> <li>- Or the diaphragm has been damaged by a piece of debris or has become worn through intensive use of the cleaner, in which case the diaphragm should be replaced. (see § «4.3 I Replacing the diaphragm»).</li> </ul> </li> <li>• Make sure the diaphragm in your cleaner is not clogged by debris:             <ul style="list-style-type: none"> <li>- Disconnect the external exhaust hose and the cartridge from the body of the cleaner by unscrewing the ring.</li> <li>- Unscrew the external exhaust hose and push on the internal exhaust hose to reveal the diaphragm.</li> <li>- Remove any debris that has collected in the diaphragm or in the internal exhaust hose.</li> <li>- Refit the internal exhaust hose in place and retighten the external exhaust hose.</li> </ul> </li> <li>• Check that the filtration system is working and that the valve is in the filtration position.</li> <li>• Check that the prefilter basket and the filter are clean.</li> <li>• Check for impurities in the pump turbine.</li> <li>• Check that the suction hose is properly connected.</li> <li>• Check that suction is not impeded by any debris.</li> </ul>
<p>The cleaner doesn't clean every area in your pool</p>	<ul style="list-style-type: none"> <li>• For optimum cleaning, filtration start-up time can be reduced. <i>For Example:</i> 6 hours' filtration (3 x 2 hours) will give better pool coverage than a single 6-hour filtering operation, so it is advisable to stop filtration every 2 hours (for just 2 or 3 minutes) to enable your cleaner to take a new random direction.</li> <li>• Check that the length of your hose right for the size of your pool (see § «2.2.1 I Determine the number of sections you need»). If necessary, add or remove a section (or more).</li> <li>• Check that the discharge nozzle(s) have been correctly faced downwards so as not to hinder the cleaner's movements.</li> <li>• Check that the hoses are not clogged.</li> <li>• Check the hose sections for coils. If a memory has formed turn off the cleaner and remove the affected hose sections. Lie any hose sections that have formed loops flat in the sun until these sections recover their shape. Re-install the hose sections on the cleaner.</li> <li>• Check that the first hose deflector is correctly positioned 2 metres from the cleaner (see § «2.2.1 I Determine the number of sections you need»), and place the second hose deflector 3 to 4 metres from the skimmer, instead of the initial 2 metres.</li> </ul>
<p>The cleaner remains stuck on the steps</p>	<ul style="list-style-type: none"> <li>• Check that the deflector wheel is properly in place (see § «2.1.1 I The deflector wheel»).</li> <li>• if it is, but the cleaner remains stuck, remove the steps when cleaning the pool.</li> </ul>
<p>The cleaner is moving very slowly and there are air bubbles at the outlet</p>	<ul style="list-style-type: none"> <li>• Check that the system is fully sealed :             <ul style="list-style-type: none"> <li>- between the cleaner and the hose,</li> <li>- between all the hose sections,</li> <li>- between the hose and the adapter,</li> <li>- between the adapter and the skimmer,</li> <li>- and between the skimmer and the filter.</li> </ul> </li> </ul>









Votre revendeur  
*Your retailer*

Modèle appareil  
*Appliance model*

Numéro de série  
*Serial number*


Pour plus d'informations, enregistrement produit et support client :  
*For more information, product registration and customer support:*

**[www.zodiac.com](http://www.zodiac.com)**

