



AR-125

- ▶ **HANGING SKIMMER**
- ▶ **SKIMMER DE MOCHILA**
- ▶ **SKIMMER HORS-BORD**
- ▶ **HÄNGEFILTER**
- ▶ **FILTRO A PARETE**
- ▶ **HANGEND SKIMMER**
- ▶ **SKIMMER DE MOCHILA**



CE



INSTALLATION AND MAINTENANCE MANUAL
MANUAL DE INSTALACIÓN Y MANTENIMIENTO
MANUEL D'INSTALLATION ET D'ENTRETIEN
EINBAU-UND BETRIEBSANLEITUNG
MANUALE DI INSTALAZIONE E MANUTENZIONE
INSTALLATIE-EN ONDERHOUDSHANDLEIDINGE
INSTRUÇÕES E MANUNTENÇÃO

IMPORTANT: The instruction manual you are holding includes essential information on the safety measures to be implemented for installation and start-up. Therefore, the installer as well as the user must read the instructions before beginning installation and start-up.
Keep this manual for future reference.

To achieve optimum performance of the Hanging Skimmer, follow the instructions provided below:

SAFETY INSTRUCTIONS. READ CAREFULLY

- The following standard should be followed in the whole electrical installation:

NF C15-100

that refers to "the construction of electrical installations both in indoor and outdoor swimming pools", or similar regulations in force in each area or country.

- "The entire filtering system follows the installation standard C 15-100 that stipulates that all electrical apparatus located at less than 3.5 m. from the swimming pool and freely accessible should have a very low voltage of 12 V. All 220 V apparatus should be positioned at least 3.5 m. from the edge of the swimming pool. Apply to the manufacturer for permission to modify one or more elements of the filtering system".
- Electrical installations should only be performed by professional installers qualified in electrical installations.
- The apparatus should not be on while the swimming pool is being used.
- Do not operate the apparatus without water.
- People should NEVER touch the apparatus when it is on if they are wet or with wet hands.
- DISCONNECT the apparatus from the mains before handling.
- Ensure that the ground is dry before touching the electrical equipment.
- Never place the apparatus where it could become wet, as this could cause electrocution.
- Do not allow children or adults to lean against or sit on the apparatus.
- Never use the apparatus for more than 4 consecutive hours.
- If the flexible power supply cable of the apparatus is damaged, it should be replaced. Read instructions how to replace it carefully. If in doubt, consult your technical service.

1. VERIFY THE CONTENTS OF THE PACKING:

The apparatus that you have just purchased has been designed for elevated swimming pools, with an innovative and highly functional design. The following components detailed on page 30 are contained inside the box.

2. GENERAL CHARACTERISTICS:

This Skimmer has been designed for use in fresh water pools. It is a Class I electric apparatus which complies with the IPX8 degree of protection (resistance to penetration of dust, solid bodies and humidity).

CONNECTION OF APPARATUS

Connect the transformer to a 230V 50 Hz source of alternating current which is equipped with a single-pole switch, so that the apparatus does not receive any voltage when it is not in use, and a 30 mA differential for discharge protection.

The manufacturer is not responsible in any circumstances for assembly, installation or start-up of any electric components which have been inserted or handled at locations other than its own premises.

3. INSTALLATION:

This equipment is easy to install and can be assembled by **AN ADULT** in around **1 HOUR**, taking care to correctly follow the instructions detailed in this manual at all times.

The following tools are needed to correctly handle and install the components:

Function	Tool	Alternative tool
Tighten screws	Philips screwdriver	7 mm Stecker screwdriver
Cut out liner	Cutter	Blade

PRIOR TO INSTALLATION

Before installing the Skimmer in the swimming pool, site the pool such that the stamp marking the Skimmer position faces the prevailing winds (see Fig. 2) so that the winds help convey the dirt remaining on the pool surface toward the Skimmer mouth.

Follow the mounting instructions for the pool sheeting and liner carefully.

The Skimmer must be installed on the outside and high part of the pool wall.

The device is intended to collect the surface water, leaving large impurities in the prefilter basket and letting small ones pass through so they are retained in the cartridge filter.

**DO NOT PLACE CHEMICALS IN THE BASKET OR THROUGH THE FILTER.
THIS WILL DAMAGE THE MATERIALS OF THE DEVICE AND LIMIT ITS EFFICIENCY.**

4. ASSEMBLY:

The Skimmer body houses the filtering element or cartridge filter. The bottom of the body also houses the motor and the turbine that circulate the water, which is collected at the top through the Skimmer mouth and is returned through the lower valve once it is filtered.

4.1. RUCKSACK SKIMMER INSTALLATION

4.1.1. PRE-ANCHORING THE RETURN NOZZLE OF THE BACKPACK SKIMMER (Fig.2)

The filtered water flows through this nozzle into the pool again and the filtering cycle is then finished.

Start filling the pool with water, stopping at around 4 cm. from the lower edge of the return valve opening.

Mark the opening with a felt-tip pen and cut a cross in the centre of the opening using a cutter (BLADE), **without going over the pre-cut hole**. Insert the friction ring and one of the joints (Fig. 2) in the return nozzle. From inside the pool, insert the return nozzle with the friction ring and the joint through the cut. The pieces of liner that stick out through the outer part of the pool **should be cut cleanly and neatly**.

4.1.2. ANCHORING THE BACKPACK SKIMMER BODY

Cut out the liner using a cutter (blade) following marked line (**the liner must not be pulled from any point at this time**).

Install the double joint of the Skimmer, **clamping the plate and the liner** (No. 7 Fig. 3).

Place the flap opening in the skimmer (Fig. 5) and pre-install the skimmer in the pool by tightening the 2 short screws (No. 8 Fig. 3) from inside the pool. These screws should cross through the liner, the double joint and the swimming pool plate and should finally match up with the holes of the skimmer (Fig. 3).

4.1.3. ANCHORING THE RETURN NOZZLE

From outside the pool, insert the other joint (Fig. 2) in the threaded part of the return nozzle that sticks out.

Screw the return nozzle well into the backpack Skimmer body using the spanner (No. 13 Fig. 2)

4.1.4. ANCHORING THE FRAME OF THE BACKPACK SKIMMER

From inside the pool, place the frame of the backpack Skimmer (No. 9 Fig. 3) on the joint, without the trim cover of the frame. Place the 10 long screws (No. 8 Fig. 3) through the frame crossing through the liner, tighten them just a little to ensure that it fits properly. Do not fully tighten them at first, start gradually one by one in the order indicated (Fig. 4) until they are fully tightened.

4.1.5. FINAL DETAILS

Place the trim cover (No. 9 fig. 3) taking care to place the level marks in the correct position.

Insert the filtering cartridge with the threaded end facing downwards, and screw into position.

Place the pre-filter basket on the upper part inside the backpack Skimmer, and finally the backpack Skimmer cover, which is placed in position by turning it.

Finish filling the pool until the water reaches the level between the maximum and minimum marks of the backpack Skimmer opening.

Do not place the suction cover. Only use when the pool floor cleaner is to be used.

4.2. ELECTRICAL CONNECTION

Place the transformer at a minimum distance of 3.5 m. from the edge of the pool (Fig. 1). Connect the transformer to a 230 V and 50Hz alternate current source with earth connection. It is essential to use an omnipolar switch for the filter to be without voltage while not in use, and a 30 mA differential switch for discharge protection. (Not supplied. They can be purchased from electrical stores).

Check the operation of the motor by placing your hand in front of the return nozzle to check that water is flowing out.

FILTERING:

The Skimmer is designed to suction and retain impurities suspended in the pool water. After initial filtering treatment (until the swimming pool water is clean), **the whole volume of the pool should be recirculated once a day**.

The filtering cartridge (No. 4) inside the Skimmer is the element that cleans the water. It consists of a fabric with a very fine mesh that retains the dirt.

Frequency in cleaning the filter cartridge (No. 4) depends on the amount of dirt, the number of filtering hours and the volume of the swimming pool. When it is observed that the amount of water returned inside the pool decreases, the filtering cartridge should be cleaned and replaced if necessary.

Filtering needs depend on the volume in m³ of water in the pool in relation to the m³/hr of flow of the apparatus.

Turn the motor off for at least 2 hours between operation intervals.

$$\frac{\text{Volume of swimming pool in m}^3}{\text{Flow of filter in m}^3/\text{hour}} = \text{hours required}$$

The aforementioned off time should be followed in the initial filtering treatment. It is recommended to increase the filtering time as the water temperature of the pool increases.

NEVER PLACE CHEMICAL PRODUCTS IN THE BASKET OR CARTRIDGE, AS THIS WILL DAMAGE THE MATERIALS OF THE APPARATUS AND REDUCE ITS EFFECTIVENESS.

DO NOT USE FLOCCULANT!

5. OPERATION

The cartridge inside the backpack Skimmer is the element that cleans the water. It consists of a fabric with a very fine mesh that retains the dirt.

Frequency in cleaning the cartridge depends on the periods of use of the filter, the environment, trees, pollen, insects and how often the pool is used, which are factors that determine the level of dirt of the pool.

When it is observed that the amount of water returned to the pool decreases, the cartridge should be cleaned (see section 6.1. Cleaning the cartridge).

To maintain the pool water in good condition, chemical products must also be used as recommended by the manufacturer (chlorine, anti-algae products, etc.).

The life span of the backpack filter will be longer if it is used for maximum periods of 4 hours. Daily filtering needs depend on the volume of water in the swimming pool in relation to the 3.8 m³/hr flow of the backpack Skimmer.

Leave the motor off for at least 2 hours between each operation period.

6. MAINTENANCE:

6.1. CLEANING THE CARTRIDGE

Disconnect the apparatus from the power supply.

Remove the cover and the basket.

Unscrew the cartridge from its position and remove it from inside the backpack Skimmer (Fig. 7).

Place the cartridge under a jet of water from a low-pressure garden hose, until it is clean (Fig. 6).

Insert the cartridge with the threaded end facing downwards and screw it back into place.

Place the pre-filter basket and cover back into place.

6.2. CLEANING THE FLOOR OF THE SWIMMING POOL

The backpack Skimmer can be used to clean the floor of the swimming pool, with one of the following or "Triangular" floor cleaner + adapter cover / **AR-2062**.

To acquire these products, enquire at your dealers or the After-sales Service of the swimming pool manufacturer. Always use original spare parts.

A hose that is longer than necessary to reach all points of the pool will hinder its use. Cut the excess length of hose. Ensure that rubber terminals do not leak.

6.2.1. CONNECTING THE FLOOR CLEANER

Disconnect the apparatus from the power supply.

Place the suction cover accessory inside the Skimmer with the inlet facing downwards and without removing the basket.

Prime the hose

From INSIDE THE POOL pass the end of the hose through the Skimmer flap opening and taking care not to let air in, connect it to the suction cover inlet. Connection will be easier if the suction cover is held at a slant.

Then place it into position horizontally inserting more hose. TAKE CARE NOT TO DAMAGE THE SKIMMER FLAP OPENING WHILE PERFORMING THIS OPERATION.

THE WATER LEVEL OF THE SKIMMER SHOULD BE AT MAXIMUM AND ABOVE THE JOINT BETWEEN THE COVER AND THE HOSE TO PREVENT AIR FROM ENTERING.

Start-up the backpack Skimmer and proceed to clean the floor of the swimming pool.

6.2.2. PRIMING THE FLOOR CLEANER HOSE:

Slowly place the floor cleaner inside the pool with a pole and the hose connected vertically, letting it fill with water and keeping the rest of the hose out of the water.

Gradually place the hose in the water in lengths of 50 cm., which should be immersed as they fill with water. When the end is reached, the hose should be full of water and totally immersed.

If the hose is not fully primed, the floor cleaner will not be able to suction and the water treatment apparatus may be damaged if used empty.

7. ELECTRICAL COMPONENTS

To guarantee electrical safety, the equipment is provided with an electrical unit that is protected against the inlet of water. If a cable or any of the components are damaged, the whole electrical unit should be changed.

None of the components of this electrical unit should be handled, as it would affect the safety of the equipment.

REPLACING THE ELECTRICAL UNIT

If a cable or a component of the electrical unit is damaged, proceed as follows:

- Disconnect the apparatus from the mains.
- Unscrew the 3 screws of the bottom cover and remove it.
- Unscrew the 3 screws that hold the motor and remove the electric/motor unit.
- Place the new electric/motor unit by tightening the 3 screws to the body of the skimmer and place the bottom cover by tightening the 3 corresponding screws

8. WINTER MONTHS - MAINTENANCE WHEN OUT OF USE

To preserve the equipment properly during the winter months or when it is not used for long period of time, proceed as follows:

Empty the water from the pool until 4 cm. under the lower edge of the backpack skimmer frame (No. 9 Fig 3)

Insert the O-ring (Fig. 2) in the winter plug (No. 14 Fig. 2) and screw the plug to the return nozzle from inside the pool, using the spanner (No. 13 Fig. 2). Remove the cartridge, dry it and store it.

It is recommended to use this occasion to visually check the condition of the cable and other electrical components and replace if necessary. To do this, see section ELECTRICAL COMPONENTS.

PROBLEMS	CAUSE	SOLUTION
The backpack skimmer does not filter, but does put water in the swimming pool.	The cartridge is not positioned correctly.	Position it correctly and screw into place
	The cartridge is worn through use	Replace with a new one
The filter does not let water flow in the return nozzle	The filter is dirty through use	Clean the cartridge as indicated in section 6.1. cleaning the cartridge.
	Faulty electrical connection	Check the connection
		Check the filter cable

If you cannot solve the problem, contact the swimming pool manufacturer at the number indicated in the instructions.

9. ENVIRONMENTAL INFORMATION Processing of electrical and electronic equipment after their period of use (Only applicable in the E.U.)



In order to reduce the amount of waste of electric and electronic apparatus, to reduce the danger of components, to encourage the reuse of apparatus, to assess waste and to set up a suitable waste treatment system, with the aim of improving the efficiency of environmental protection, a set of rules has been established applicable to the manufacture of the product and other rules regarding the correct environmental treatment when these products become waste.

It is also intended to improve the environmental practices of all agents involved in electrical and electronic goods, including manufacturers, distributors, users and particularly those directly involved in the treatment of waste derived from these apparatus.

From 13th August 2005, there are two ways of disposing of this apparatus:

- if you purchase a new equivalent apparatus or which has the same functions as the one you wish to dispose of, you can hand it over, free of charge, to the distributor when making your purchase, or
- you can take it to local collection points.

We shall cover waste treatment costs.

The apparatus are labelled with a symbol of a "crossed-out waste container". This symbol means that the apparatus is subject to selected waste collection, different from general waste collection.

Our products are designed and manufactured with top-quality, environmental-friendly materials and components, which can be reused and recycled. In spite of this, several parts of this product are not biodegradable and therefore it should not be left in the environment. For the correct recycling of this product, please completely detach the electrical motor from the rest of the filtration equipment.

GUARANTEE CERTIFICATE

1. GENERAL TERMS

- 1.1. In accordance with these provisions, the seller guarantees that the **GRE** product corresponding to this guarantee ("the Product") is in perfect condition at the time of delivery.
- 1.2. The Guarantee Term for the Product is two (2) years from the time it is delivered to the purchaser.
- 1.3. In the event of any defect in the Product that is notified by the purchaser to the seller during the Guarantee Term, the seller will be obliged to repair or replace the Product, at his own cost and wherever he deems suitable, unless this is impossible or unreasonable.
- 1.4. If it is not possible to repair or replace the Product, the purchaser may ask for a proportional reduction in the price or, if the defect is sufficiently significant, the termination of the sales contract.
- 1.5. The replaced or repaired parts under this guarantee, will not extend the guarantee period of the original Product, but will have a separate guarantee.
- 1.6. In order for this guarantee to come into effect, the purchaser must provide proof of the date of purchase and delivery of the Product.
- 1.7. If, after six months from the delivery of the Product to the purchaser, he notifies a defect in the Product, the purchaser must provide proof of the origin and existence of the alleged defect.
- 1.8. This Guarantee Certificate is issued without prejudice to the rights corresponding to consumers under national regulations.

2. INDIVIDUAL TERMS

- 2.1. This guarantee covers the products referred to in this manual.
- 2.2. This Guarantee Certificate will only be applicable in European Union countries.
- 2.3. For this guarantee to be effective, the purchaser must strictly follow the Manufacturer's instructions included in the documentation provided with the Product, in cases where it is applicable according to the range and model of the Product.
- 2.4. When a time schedule is specified for the replacement, maintenance or cleaning of certain parts or components of the Product, the guarantee will only be valid if this time schedule has been followed.

3. LIMITATIONS

- 3.1. This guarantee will only be applicable to sales made to consumers, understanding by "consumer", a person who purchases the Product for purposes not related to his professional activities.
- 3.2. The normal wear resulting from using the product is not guaranteed. With respect to expendable or consumable parts, components and/or materials, such as batteries, light bulbs, etc. the stipulations in the documentation provided with the Product, will apply.
- 3.3. The guarantee does not cover those cases when the Product; (I) has been handled incorrectly; (II) has been repaired, serviced or handled by non-authorized people or (III) has been repaired or serviced not using original parts.
In cases where the defect of the Product is a result of incorrect installation or start-up, this guarantee will only apply when said installation or start-up is included in the sales contract of the Product and has been conducted by the seller or under his responsibility.

IMPORTANTE: El manual de instrucciones que usted tiene en sus manos, contiene información fundamental acerca de las medidas de seguridad a adoptar a la hora de la instalación y la puesta en servicio. Por ello, es imprescindible que tanto el instalador como el usuario lean las instrucciones antes de pasar al montaje y la puesta en marcha. Conserve este manual para futuras consultas acerca del funcionamiento de este aparato.

Para conseguir un óptimo rendimiento del Skimmer de Mochila es conveniente observar las instrucciones que se indican a continuación:

INDICACIONES DE SEGURIDAD, LEALAS ATENTAMENTE

- En todo lo referente a la instalación eléctrica debe seguirse la normativa:

NF C15-100

que hace referencia "a la construcción de instalaciones eléctricas, tanto en piscinas cubiertas como en piscinas al aire libre", o la normativa análoga vigente en cada zona o país.

- "Todas las filtraciones siguen la norma de instalación C 15-100 que especifica que todo aparato eléctrico ubicado a menos de 3,5 m de la piscina y accesible libremente debe estar alimentado con muy baja tensión 12 V. Todo aparato alimentado en 220 V debe estar ubicado por lo menos a 3,5 m del borde de la piscina. Pedir permiso del fabricante para toda modificación de uno o varios elementos del sistema de filtración"
- La instalación eléctrica debe ser hecha por personal profesional cualificado en instalaciones eléctricas.
- No tenga el aparato en marcha mientras utiliza la piscina.
- No haga funcionar el aparato sin agua.
- No toque NUNCA el aparato en marcha con el cuerpo húmedo o las manos húmedas.
- Siempre que deba manipular el aparato, DESCONÉCTELO de la toma de corriente.
- Asegúrese de que el suelo está seco antes de tocar el equipo eléctrico.
- No coloque el aparato donde pueda mojarse, puede causar electrocución.
- No permita ni a niños ni a adultos apoyarse o sentarse sobre el aparato.
- No utilizar el aparato durante más de 4 horas seguidas.
- Si el cable flexible de alimentación de este aparato está dañado, debe ser sustituido. Lea detenidamente las instrucciones para su sustitución. Ante la duda consulte con un servicio técnico.

1. COMPRUEBE EL CONTENIDO DEL EMBALAJE:

El equipo que acaba usted de comprar es un aparato especialmente concebido y diseñado para piscinas elevadas, con un innovador diseño y una gran funcionalidad.

En el interior de la caja encontrará los siguientes componentes detallados en las página 30.

2. CARACTERÍSTICAS GENERALES:

Este Skimmer ha sido diseñado para piscinas elevadas de agua dulce. Se trata de un aparato eléctrico de clase I, que cumple con el grado de protección IP X8 (resistencia a la penetración de polvo, a los cuerpos sólidos y a la humedad).

CONEXIÓN DEL SKIMMER

Conectar el transformador a una fuente de corriente alterna de 230V 50 Hz, con conexión a tierra, que disponga de un interruptor omnipolar, para dejar sin tensión al aparato cuando éste no deba ser utilizado, y un diferencial de 30 mA para protección de descargas.

El fabricante en ningún caso se responsabiliza del montaje, instalación o puesta en funcionamiento de cualquier manipulación o incorporación de componentes eléctricos que no se hayan llevado a cabo en sus instalaciones.

3. INSTALACIÓN:

Por su facilidad de instalación este equipo puede ser montado por **UNA PERSONA ADULTA** y en un periodo de tiempo de alrededor de **1 HORA**, con la precaución en todo momento de hacer un correcto seguimiento de las instrucciones detalladas en este manual.

Para una manipulación correcta de los componentes y su correcta instalación son necesarias las siguientes herramientas:

Función	Herramienta	Herramienta alternativa
Apretar tornillos	Destornillador boca philips	Destornillador stecker 7 mm
Recortar liner	Cutter	Cuchilla

PREVIO A LA INSTALACIÓN

Antes de instalar el Skimmer de mochila en la piscina, se ha de situar la piscina de tal manera que el troquel que lleva para acoplar el Skimmer de mochila quede enfrentado a los vientos dominantes, (Fig. 1) para que estos ayuden a llevar la suciedad que quede en la superficie de la piscina hacia la boca del Skimmer de mochila.

Seguir cuidadosamente las instrucciones de montaje de la chapa y liner de la piscina.

El Skimmer de mochila debe quedar en la parte exterior y alta de la pared de la piscina.

Su función es recoger el agua de la superficie, posándose en el cesto prefiltro las impurezas de mayor tamaño y dejando pasar las de menor tamaño para que sean retenidas por el filtro de cartucho.

EN NINGÚN CASO EL PRODUCTO QUÍMICO DEBE PONERSE EN EL CESTO O A TRAVÉS DEL FILTRO, ELLO DETERIORARÍA LOS MATERIALES DEL APARATO Y LIMITARÍA SU EFICACIA.

4. MONTAJE:

El cuerpo del Skimmer de mochila es el que aloja el elemento filtrante o filtro de cartucho, también aloja en su parte inferior el motor y la turbina encargados de provocar una circulación de agua, que es recogida en la parte superior a través de la boca del Skimmer de mochila y es devuelta una vez filtrada por la boquilla inferior.

4.1. FIJACIÓN DEL SKIMMER DE MOCHILA

4.1.1. PREFIJACIÓN DE LA BOQUILLA DE RETORNO DEL SKIMMER DE MOCHILA (Fig.2)

A través de ella el agua filtrada se introduce de nuevo en la piscina cerrando así el ciclo de filtración.

Empezar a llenar de agua la piscina, deteniendo el llenado a unos 4 cm del borde inferior del orificio de la válvula de retorno.

Marcar el orificio con un rotulador y hacer un corte en cruz en el centro del orificio con ayuda de un cúter (CUCHILLA) **sin rebasar el agujero del troquel.**

Introducir el anillo de fricción y una de las juntas (Fig. 2). en la boquilla de retorno.

Desde el interior de la piscina introducir por el corte, la boquilla de retorno con el anillo de fricción y la junta.

Los trozos de liner que asomaran por la parte exterior de la piscina **deberán cortarse de forma limpia y ajustada.**

4.1.2. FIJACIÓN DEL CUERPO DEL SKIMMER DE MOCHILA

Recortar el liner con un cúter (cuchilla) siguiendo el marco del troquel (**no debe haber en ese momento tensión ninguna en el liner**).

Instalar la junta doble del Skimmer, **abrazando la chapa y el liner** (Nº 7 Fig. 3).

Colocar la compuerta en el skimmer (Fig.5) y prefijar el skimmer en la piscina atornillando los 2 tonillos cortos (Nº 8 Fig. 3) desde el interior de la piscina, estos deben atravesar el liner, la junta doble, la chapa de la piscina y finalmente encontrarse con los agujeros del skimmer (Fig. 3).

4.1.3. FIJACIÓN DE LA BOQUILLA DE RETORNO

Desde el exterior de la piscina introducir la otra junta (Fig. 2) a la parte roscada de la boquilla de retorno que se asoma.

Roscar la boquilla de retorno firmemente contra el cuerpo del Skimmer de mochila mediante la ayuda de la llave (Nº 13 Fig. 2).

4.1.4. FIJACIÓN DEL MARCO DEL SKIMMER DE MOCHILA

Colocar el transformador a una distancia mínima de 3,5 m del borde de la piscina (Fig. 1), conectar el transformador a una fuente de corriente alterna de 230 V y 50Hz, con conexión a tierra. Es imprescindible utilizar un interruptor omnipolar para dejar sin tensión el filtro cuando no lo esté utilizado y un diferencial de 30 mA para protección de descargas. (No suministrado. Puede adquirirse en establecimientos de electricidad).

4.1.5. ÚLTIMOS DETALLES

Colocar la tapa embellecedora (Nº 9 Fig. 3), teniendo la precaución de colocar las marcas de nivel en la posición adecuada.

Introducir el cartucho filtrante con el extremo roscado hacia abajo, y roscarlo en su alojamiento.

Colocar el cesto prefiltro en la parte superior, en el interior Skimmer de mochila y por último la tapa del Skimmer de mochila que se coloca en su alojamiento mediante un giro de la misma.

Acabar de llenar la piscina, hasta que el agua llegue a un nivel entre las dos marcas de máximo y mínimo, de la boca del Skimmer de mochila.

No coloque la Tapa de aspiración. Usar solo cuando se tenga que utilizar el limpiafondos.

4.2. CONEXIÓN ELÉCTRICA

Colocar el transformador a una distancia mínima de 3,5 m del borde de la piscina (Fig. 1). Conectar el transformador a una fuente de corriente alterna de 230 V y 50Hz, con conexión a tierra. Es imprescindible utilizar un interruptor omnipolar para dejar sin tensión el filtro cuando no lo esté utilizado y un diferencial de 30 mA para protección de descargas. (No suministrado. Puede adquirirse en establecimientos de electricidad).

Comprobar el funcionamiento del motor colocando la mano delante de la boquilla de retorno para comprobar que sale agua.

FILTRACION:

El Skimmer está diseñado para aspirar y retener las impurezas que se encuentran suspendidas en el agua de la piscina. Después de un tratamiento inicial de filtrado (hasta que el agua de la piscina esté limpia), **se deberá volver a recircular una vez al día todo el volumen de la piscina.**

El elemento que realiza la limpieza del agua es el cartucho filtrante (Nº 1) que hay en el interior del Skimmer. Este está compuesto por una tela con un paso muy fino que retiene la suciedad.

Dependiendo de la suciedad, horas de filtración y volumen de la piscina, el cartucho filtrante (Nº 1), necesita ser limpiado con más o menos asiduidad. Cuando se observa que la cantidad de agua devuelta al interior de la piscina disminuye, se procederá a la limpieza del cartucho filtrante o si fuera necesario se procederá a sustituirlo por uno nuevo.

Sus necesidades de filtración vienen dadas por el volumen en m³ de agua de su piscina en relación con los m³/h de caudal del aparato.

Deje al menos 2h de reposo al motor entre intervalos de funcionamiento.

$$\frac{\text{Volumen piscina en m}^3}{\text{Caudal filtro en m}^3/\text{h}} = \text{horas necesarias}$$

En el tratamiento inicial de filtración debe respetar los periodos de reposo indicados. Se recomienda aumentar el tiempo de filtración cuanto mayor sea la temperatura del agua de su piscina.

EN NINGÚN CASO EL PRODUCTO QUÍMICO DEBE PONERSE EN EL CESTO O DELCARTUCHO, ELLO DETERIORARÍA LOS MATERIALES DEL APARATO Y LIMITARÍA SU EFICACIA

¡NO UTILIZAR FLOCULANTE!

5. FUNCIONAMIENTO

El elemento que realiza la limpieza del agua es el cartucho que hay en el interior del Skimmer de mochila. Este está compuesto por una tela con un paso muy fino que retiene la suciedad.

Dependiendo de los periodos de utilización del filtro, el ambiente, árboles, polen, insectos y frecuencia de baños, factores que determinan la suciedad del agua de la piscina, este necesita ser limpiado con más o menos frecuencia.

Cuando se observa que la cantidad de agua devuelta al interior de la piscina disminuye, se procederá a la limpieza del cartucho. (ver apartado

6.1. Limpieza del cartucho).

Para mantener en buen estado el agua de la piscina debemos además utilizar los productos químicos aconsejados por el fabricante (cloro, antialgas, etc.).

La vida útil del filtro de mochila se alarga con periodos de funcionamiento continuado no superiores a 4 h. Sus necesidades de filtración diarias vienen determinadas por el volumen en m³ de agua de su piscina en relación a los 3,8 m³/h de caudal del Skimmer de mochila.

Deje al menos 2 h de reposo al motor entre cada periodo de funcionamiento.

6. MANTENIMIENTO:

6.1. LIMPIEZA DEL CARTUCHO

Desconecte el aparato de la toma de corriente.

Extraer la tapa y el cesto.

Desenroscar el cartucho de su alojamiento, extraerlo del interior del Skimmer de mochila (Fig. 7).

Coloque el cartucho bajo un chorro de agua de una manguera de jardín a baja presión, hasta que observe que el cartucho está limpio (Fig. 6).

Volver a introducir el cartucho con el extremo roscado hacia abajo, y roscarlo en su alojamiento.

Colocar el cesto prefiltro y la tapa del Skimmer de mochila.

6.2. LIMPIEZA DEL FONDO DE LA PISCINA

Para la limpieza del fondo de la piscina, puede aprovechar el Skimmer de mochila, con el Limpiafondos "Triangular" + tapa adaptación / AR-2062.

Consulte en su establecimiento o con el Servicio Postventa del fabricante de la piscina para su adquisición. Utilice siempre recambios originales.

Una longitud de manguera mayor a la necesaria para llegar a todos los puntos de la piscina dificulta su uso. Recorte el tramo de manguera que le sobre. Vigile que por los terminales de goma no pierda su estanqueidad.

6.2.1. CONEXIÓN DEL LIMPIAFONDOS

Desconecte el aparato de la toma de corriente.

Poner en el interior del Skimmer el accesorio tapa aspiración con la toma hacia arriba, sin sacar el cesto.

Cebar la manguera.

Pasar desde EL INTERIOR DE LA PISCINA el extremo de la manguera por la compuerta del Skimmer y cuidando que no entre aire en ella, conectarla a la toma de la tapa aspiración, sujetando esta en oblicuo para facilitar la unión.

Luego alojarla horizontalmente introduciendo más la manguera. **ATENCIÓN NO DAÑAR LA COMPUERTA DEL SKIMMER EN ESTA OPERACIÓN.**

EL NIVEL DE AGUA DEL SKIMMER DEBE ESTAR AL MÁXIMO Y POR ENCIMA DE LA UNIÓN ENTRE LA TAPA Y LA MANGUERA PARA EVITAR LA ENTRADA DE AIRE.

Poner en marcha el Skimmer de mochila y proceder al limpiado del fondo de la piscina.

6.2.2. CEBADO DE LA MANGUERA DEL LIMPIAFONDOS:

Introducir despacio en el interior de la piscina el limpiafondos con la pértiga y la manguera conectada, verticalmente, dejando que se llene de agua, manteniendo el resto de la manguera fuera del agua.

Vaya introduciendo la manguera en el agua despacio por tramos de 50 cm que deben quedar hundidos a la vez que se llenan completamente de agua, hasta el final, donde toda la manguera deberá quedar llena de agua y hundida.

Si la manguera no está totalmente cebada, el limpiafondos no aspirará y podremos dañar la depuradora haciéndola trabajar en vacío.

7. COMPONENTES ELÉCTRICOS

Para garantizar la seguridad eléctrica, el equipo está dotado de un conjunto eléctrico protegido contra la entrada de agua, en caso de deterioro del cable o uno de sus componentes se deberá cambiar todo el conjunto eléctrico.

En ningún caso deben manipularse alguno de los componentes de dicho conjunto eléctrico/motor, ya que ello anularía la seguridad del equipo.

SUSTITUCIÓN DEL CONJUNTO ELÉCTRICO/MOTOR

En caso de deterioro del cable o uno de los componentes del conjunto eléctrico/motor proceder como sigue:

- Desconectar el aparato de la toma de corriente.
- Desatornillar los 3 tornillos de la tapa inferior y extraer la tapa inferior.
- Desatornillar los 3 tornillos que aguantan el motor y retirar el conjunto eléctrico/motor.
- Situar el nuevo conjunto eléctrico/motor atornillando los 3 tornillos al cuerpo del skimmer y poner la tapa inferior atornillando con los 3 tornillos correspondientes.

8. PERIODO DE INVIERNO - MANTENIMIENTO FUERA DE USO

Para garantizar una buena conservación del equipo durante el periodo de invierno, o cuando que no lo usemos durante periodos largos de tiempo, se procederá de la siguiente manera:

Vaciar la piscina de agua deteniendonos a 4 cm por debajo del borde inferior del marco (Nº9 Fig. 3) del skimmer de mochila.

Introducir la junta tórica (Fig. 2) en el tapón de invierno (Nº14 Fig. 2) y roscar este a la boquilla de retorno desde el interior de la piscina, con ayuda de la llave (Nº13 Fig. 2). Desmontar el cartucho, secarlo y guardarlo.

Es aconsejable aprovechar esta ocasión para verificar visualmente el estado del cable y los demás componentes eléctricos para proceder a su sustitución si fuese necesario, para ello proceder como se describe en el apartado COMPONENTES ELÉCTRICOS.

PROBLEMAS	CAUSA	SOLUCIÓN
El Skimmer de mochila no filtra, pero si introduce agua en la piscina	El cartucho no está correctamente colocado	Colocarlo correctamente y roscarlo
	El cartucho esta deteriorado por el uso	Sustituyalo por un repuesto nuevo
El filtro no da caudal en la boquilla de retorno	A causa de su uso el filtro está sucio	Proceder a limpiar el cartucho como se indica en el apartado 6.1. limpieza del cartucho
	Mala conexión eléctrica	Compruebe la conexión Compruebe el cable del filtro

De no poder solucionar su problema contacte con el fabricante de la piscina en el teléfono y horario indicado en sus instrucciones.

9. INFORMACIÓN MEDIOAMBIENTAL Tratamiento de equipos eléctricos y electrónicos despues de su vida útil (Solo aplicable en le U.E.)



Con objeto de reducir la cantidad de residuos de aparatos eléctricos y electrónicos, la peligrosidad de los componentes, fomentar la reutilización de los aparatos, la valorización de sus residuos y determinar una gestión adecuada tratando de mejorar la eficacia de la protección ambiental, se establecen una serie de normas aplicables a la fabricación del producto y otras relativas a la correcta gestión ambiental cuando se conviertan en residuo.

Así mismo, se pretende mejorar el comportamiento ambiental de todos los agentes que intervienen en el ciclo de vida de los aparatos eléctricos y electrónicos, como son los productores, los distribuidores, los usuarios y en particular, el de aquellos agentes directamente implicados en la gestión de los residuos derivados de estos aparatos.

A partir del 13 Agosto de 2005 cuando usted quiera desechar este aparato, tiene dos posibles sistemas de devolución:

- si adquiere uno nuevo que sea de tipo equivalente o realice las mismas funciones que el que desecha, podrá entregarlo, sin coste, en el acto de la compra al distribuidor
- o podrá llevarlo al sitio que destinen las diferentes entidades locales.

Nosotros nos haremos cargo de los costes de gestión.

Los aparatos van etiquetados con el símbolo de un "contenedor de basura con ruedas tachado", este símbolo es indicativo de la necesaria recogida selectiva y diferenciada del resto de las basuras urbanas.

Nuestros productos están diseñados y fabricados con materiales y componentes de alta calidad, respetuosos con el medio ambiente, que pueden ser reutilizables y reciclados. Aun así, las diferentes partes que componen este producto no son biodegradables, por lo que no se deben abandonar en el medio ambiente. Se debe de reciclar por separado, para ello separar el motor eléctrico del resto del equipo de filtración.

CERTIFICADO DE GARANTÍA

1 ASPECTOS GENERALES

- 1.1 De acuerdo con estas disposiciones, el vendedor garantiza que el producto **GRE** correspondiente a esta garantía ("el Producto") no presenta ninguna falta de conformidad en el momento de su entrega.
- 1.2 El Periodo de Garantía para el Producto es de dos (2) años y se calculará desde el momento de su entrega al comprador.
- 1.3 Si se produjera una falta de conformidad del Producto y el comprador lo notificase al vendedor durante el Periodo de Garantía, el vendedor deberá reparar o sustituir el Producto a su propio coste en el lugar donde considere oportuno, salvo que ello sea imposible o desproporcionado.
- 1.4 Cuando no se pueda reparar o sustituir el Producto, el comprador podrá solicitar una reducción proporcional del precio o, si la falta de conformidad es suficientemente importante, la resolución del contrato de venta.
- 1.5 Las partes sustituidas o reparadas en virtud de esta garantía no ampliarán el plazo de la garantía del Producto original, si bien dispondrán de su propia garantía.
- 1.6 Para la efectividad de la presente garantía, el comprador deberá acreditar la fecha de adquisición y entrega del Producto.
- 1.7 Cuando hayan transcurrido más de seis meses desde la entrega del Producto al comprador y éste alegue falta de conformidad de aquél, el comprador deberá acreditar el origen y la existencia del defecto alegado.
- 1.8 El presente Certificado de Garantía no limita o prejuzga los derechos que correspondan a los consumidores en virtud de normas nacionales de carácter imperativo.

2 CONDICIONES PARTICULARES

- 2.1 La presente garantía cubre los productos a que hace referencia este manual.
- 2.2 El presente Certificado de Garantía será de aplicación únicamente en los países de la Unión Europea.
- 2.3 Para la eficacia de esta garantía, el comprador deberá seguir estrictamente las indicaciones del Fabricante incluidas en la documentación que acompaña al Producto, cuando ésta resulte aplicable según la gama y modelo del Producto.
- 2.4 Cuando se especifique un calendario para la sustitución, mantenimiento o limpieza de ciertas piezas o componentes del Producto, la garantía sólo será válida cuando se haya seguido dicho calendario correctamente.

3 LIMITACIONES

- 3.1 La presente garantía únicamente será de aplicación en aquellas ventas realizadas a consumidores, entendiéndose por "consumidor", aquella persona que adquiere el Producto con fines que no entran en el ámbito de su actividad profesional.
- 3.2 No se otorga ninguna garantía respecto del normal desgaste por uso del producto. En relación con las piezas, componentes y/o materiales fungibles o consumibles como pilas, bombillas etc., se estará a lo dispuesto en la documentación que acompañe al Producto, en su caso.
- 3.3 La garantía no cubre aquellos casos en que el Producto: (I) haya sido objeto de un trato incorrecto; (II) haya sido reparado, mantenido o manipulado por persona no autorizada o (III) haya sido reparado o mantenido con piezas no originales.
- 3.4 Cuando la falta de conformidad del Producto sea consecuencia de una incorrecta instalación o puesta en marcha, la presente garantía sólo responderá cuando dicha instalación o puesta en marcha esté incluida en el contrato de compra-venta del Producto y haya sido realizada por el vendedor o bajo su responsabilidad.

IMPORTANT: le manuel d'instructions que vous avez entre les mains contient des informations de première importance sur les mesures de sécurité à adopter au moment de l'installation et de la mise en service. Il est par conséquent indispensable que l'installateur et l'utilisateur lisent attentivement les instructions avant de commencer le montage et la mise en marche. Conservez ce manuel en vue de futures consultations sur le fonctionnement de cet appareil.

Pour optimiser le rendement du Skimmer Hors-Bord, il est recommandé de bien suivre les instructions qui vous sont données ci-dessous :

INDICATIONS DE SÉCURITÉ, LISEZ-LES TRÈS ATTENTIVEMENT

- Pour tout ce qui a trait à l'installation électrique, veuillez suivre la norme :
NF C15-100

qui fait référence "à la construction d'installations électriques, aussi bien dans les piscines couvertes que dans les piscines en plein air", ou les normes analogues en vigueur dans chaque région ou pays.

- "Toutes les filtrations suivent la norme d'installation C 15-100 qui spécifie que tout appareil électrique placé à moins de 3,5 m de la piscine et librement accessible doit être alimenté à très basse tension 12 V. Tout appareil alimenté à 220 V doit être placé au moins à 3,5 m du bord de la piscine. Veuillez demander l'autorisation du fabricant pour toute modification d'un ou plusieurs éléments du système de filtration".
- L'installation électrique doit être faite par des professionnels qualifiés en installations électriques.
- Veillez à ce que l'appareil ne soit pas en marche pendant que vous utilisez la piscine.
- Ne faites pas fonctionner l'appareil sans eau.
- Ne touchez JAMAIS l'appareil en marche si vous avez le corps ou les mains humides.
- Chaque fois que vous devez manipuler l'appareil, DÉBRANCHEZ-LE de la prise de courant.
- Vérifiez que le sol est bien sec avant de toucher l'équipement électrique.
- Ne placez pas l'appareil dans un endroit où il pourrait être mouillé, cela pourrait causer une électrocution.
- Interdisez aux enfants et aux adultes de s'appuyer ou de s'asseoir sur l'appareil.
- N'utilisez pas l'appareil plus de 4 heures de suite.
- Il faut remplacer le câble flexible d'alimentation de cet appareil, s'il est abîmé. Lisez attentivement les instructions pour le remplacer. Si vous avez un doute quelconque, veuillez consulter un service technique.

1. VÉRIFIER LE CONTENU DE L'EMBALLAGE :

L'équipement dont vous venez de faire l'achat est un appareil spécialement conçu et dessiné pour être utilisé dans des piscines surélevées, avec un design innovateur et une grande fonctionnalité.

À l'intérieur de la boîte, vous trouverez les composants suivants dont le détail figure page 30.

2. CARACTÉRISTIQUES GÉNÉRALES :

Ce Skimmer a été conçu pour être utilisé dans des piscines d'eau douce. Il s'agit d'un appareil électrique de classe I, conforme aux exigences du degré de protection IPX8 (résistance à la pénétration de la poussière, aux corps solides et à l'humidité).

BRANCHEMENT DE L'APPAREIL

Brancher le transformateur sur une source de courant alternatif de 230V 50 Hz, disposant d'un interrupteur omnipolaire de façon à laisser l'appareil hors tension lorsqu'il ne doit pas être utilisé, et d'un différentiel de 30 mA pour la protection contre les décharges d'électricité.

Le fabricant n'est aucunement responsable du montage, de l'installation ou de la mise en marche suite à toute manipulation ou rajout de composants électriques qui ne se seraient pas produits chez lui.

3. INSTALLATION :

Étant très facile à monter, cet appareil peut être monté par **UNE SEULE PERSONNE ADULTE** et dans une période de temps d'environ une **HEURE**, en faisant attention à tout moment de suivre correctement les instructions détaillées dans ce manuel.

En vue d'une manipulation correcte des composants et de leur correcte installation, vous aurez besoin des outils suivants :

Fonction	Outil	Outil alternatif
Serrer les vis	Tournevis bouche philips	Tournevis stecker 7 mm
Couper le liner	Cutter	Lame

AVANT L'INSTALLATION

Avant d'installer le Skimmer, la piscine devra avoir été placée de façon à ce que la découpe prévue pour le montage du Skimmer soit placée face aux vents dominants (voir fig. 2), afin que ceux-ci facilement le mouvement de la saleté déposée à la surface de la piscine vers la goulotte du Skimmer hors-bord.

Suivre attentivement les instructions de montage de la structure métallique et du liner de la piscine.

Le Skimmer hors-bord doit être placé sur le haut de la paroi externe de la piscine.

Son rôle est d'aspirer l'eau en surface pour que les impuretés les plus grossières se déposent dans le panier préfiltrant, et de laisser passer les plus fines qui seront retenues par le filtre à cartouche.

LES PRODUITS CHIMIQUES NE DOIVENT ÊTRE PLACÉS EN AUCUN CAS DANS LE PANIER NI DANS LE FILTRE SOUS PEINE D'ENDOMMAGER LES MATÉRIAUX DE L'APPAREIL ET D'EN LIMITER L'EFFICACITÉ.

4. MONTAGE :

Le corps du Skimmer hors-bord intègre l'élément filtrant, ou filtre à cartouche, ainsi que le moteur et la turbine situés dans la partie inférieure et dont le rôle est de faire circuler l'eau. Celle-ci est recueillie par la goulotte du Skimmer hors-bord placée sur la partie supérieure. Après être passée dans le filtre, l'eau est rejetée dans la piscine par la buse inférieure.

4.1. FIXATION DU SKIMMER HORS-BORD

4.1.1. PRÉFIXATION DE LA BUSE DE RETOUR DU SKIMMER À DOS (Fig. 2)

Cette préfixation permet à l'eau filtrée de s'introduire de nouveau dans la piscine, fermant ainsi le cycle de filtration.

Commencer à remplir la piscine d'eau, arrêtant le remplissage à 4 cm environ du bord inférieur de l'orifice de la valve de retour.

Marquer l'orifice en utilisant un crayon feutre et faire une coupure en croix au centre de l'orifice à l'aide d'un cutter (LAME) **sans dépasser le trou de l'étampe.**

Introduire l'anneau de friction et un des joints (Fig. 2) dans la buse de retour.

Depuis l'intérieur de la piscine, introduire dans la coupure qui a été faite la buse de retour munie de l'anneau de friction et du joint.

Il faudra couper très soigneusement les morceaux de liner qui dépassent sur la partie extérieure de la piscine.

4.1.2. FIXATION DU CORPS DU SKIMMER À DOS

Couper le liner à l'aide d'un cutter (lame) en suivant la marque de l'étampe **(au cours de cette opération, il ne doit y avoir aucune tension sur le liner).**

Installer le joint double du Skimmer, **entourant la tôle et le liner** (N° 7 Fig. 3).

Placer la vanne sur le skimmer (Fig. 5) et préfixer le skimmer dans la piscine, en vissant les 2 vis courtes (N° 9 Fig. 3) à partir de l'intérieur de la piscine, celles-ci devant traverser le liner, le joint double, la tôle de la piscine et devant finalement s'emboîter dans les trous du skimmer (Fig. 3).

4.1.3. FIXATION DE LA BUSE DE RETOUR

Depuis l'extérieur de la piscine, introduire l'autre joint (Fig. 2) sur la partie filetée de la buse de retour qui dépasse.

Visser fermement la buse de retour contre le corps du Skimmer à dos à l'aide de la clé (N° 13 Fig. 2).

4.1.4. FIXATION DU CADRE DU SKIMMER À DOS

Depuis l'intérieur de la piscine, placer sur le joint le cadre du Skimmer à dos (N° 9 Fig. 3), sans le couvercle décoratif du cadre, faire passer les 10 vis longues (N° 8 Fig. 3) à travers le cadre en traversant le liner ; les visser un peu seulement, pour en vérifier l'emboîtement correct. Ne pas serrer les vis avec force dès le début, commencer peu à peu dans l'ordre signalé (Fig. 4) jusqu'à les serrer fermement.

4.1.5. DERNIERS DÉTAILS

Placer le couvercle décoratif (N° 9 Fig. 3), en veillant à placer les marques de niveau dans la position adéquate.

Introduire la cartouche filtrante, l'extrémité filetée étant dirigée vers le bas, et la visser dans son logement.

Placer le panier préfiltre sur la partie supérieure, à l'intérieur du Skimmer à dos, puis mettre le couvercle du Skimmer à dos dans son logement en le faisant tourner sur lui-même.

Terminer de remplir la piscine, jusqu'à ce que l'eau arrive à un niveau situé entre la marque de maximum et celle de minimum, de la bouche du Skimmer à dos.

Ne pas placer le Couvercle d'aspiration. L'utiliser uniquement lorsqu'il vous faut employer le nettoyeur de fond.

4.2. BRANCHEMENT ÉLECTRIQUE

Placer le transformateur à une distance minimum de 3,5 m du bord de la piscine (Fig. 1). Brancher le transformateur sur une prise de courant alternatif de 230 V et 50Hz, avec prise de terre. Il est indispensable d'utiliser un interrupteur omnipolaire pour laisser le filtre hors tension lorsqu'il n'est pas utilisé, ainsi qu'un différentiel de 30 mA pour se protéger contre les décharges. (Non livré avec l'appareil. Peut être acquis dans un magasin de matériel électrique).

Vérifier le fonctionnement du moteur en plaçant la main devant la buse de retour afin de vérifier que l'eau sort.

FILTRATION :

Le Skimmer est conçu pour aspirer et retenir les impuretés qui sont en suspension dans l'eau de la piscine. Après un traitement initial de filtrage (jusqu'à ce que l'eau de la piscine soit propre), **il faudra remettre en circulation une fois par jour toute l'eau de la piscine.**

L'élément qui réalise le nettoyage de l'eau est la cartouche filtrante (N° 4) qui est à l'intérieur du Skimmer. Celle-ci se compose d'un tissu à maille très fine qui retient la saleté.

En fonction de la saleté, des heures de filtration et du volume de la piscine, la cartouche filtrante (N° 4) a besoin d'être nettoyée plus ou moins fréquemment. Lorsque vous constatez que la quantité d'eau qui retourne à l'intérieur de la piscine diminue, il faudra procéder au nettoyage de la cartouche filtrante ou, si besoin est, il faut la remplacer par une autre cartouche neuve.

Vos besoins de filtration sont déterminés par le volume en m³ d'eau de votre piscine par rapport aux m³/h de débit de l'appareil.

Laissez au moins 2 heures de repos au moteur entre intervalles de fonctionnement.

$$\frac{\text{Volume piscine en m}^3}{\text{Débit filtre en m}^3/\text{h}} = \text{heures nécessaires}$$

Pour le traitement initial de filtration, il faut respecter les périodes de repos indiquées. Il est recommandé d'augmenter le temps de filtration au fur et à mesure qu'augmente la température de l'eau de votre piscine.

NE METTEZ EN AUCUN CAS LE PRODUIT CHIMIQUE DANS LE PANIER OU À LA CARTOUCHE, CELA ABÎMERAIT LES MATÉRIAUX DE L'APPAREIL ET EN LIMITERAIT L'EFFICACITÉ.

N'UTILISEZ PAS DE FLOCCULANT !

5. FONCTIONNEMENT

L'élément qui réalise le nettoyage de l'eau est la cartouche qui se trouve à l'intérieur du Skimmer à dos. Celle-ci se compose d'un tissu à maille très fine qui retient la saleté.

En fonction des périodes d'utilisation du filtre, de l'environnement, des arbres, du pollen, des insectes et de la fréquence des bains, facteurs déterminant la saleté de l'eau de la piscine, la cartouche doit être nettoyée plus ou moins fréquemment.

Lorsque vous constatez que la quantité d'eau qui retourne à l'intérieur de la piscine diminue, il faudra procéder au nettoyage de la cartouche (voir paragraphe 6.1. Nettoyage de la cartouche).

Pour conserver l'eau de la piscine en bon état, il faut aussi utiliser les produits chimiques recommandés par le fabricant (chlore, anti-algues, etc.).

Vous pourrez prolonger la durée de vie de votre filtre à dos si vous le faites fonctionner pendant des périodes de temps continues de moins de 4 heures. Vos besoins quotidiens de filtration sont déterminés par le volume en m³ d'eau de votre piscine par rapport aux 3,8 m³/h de débit du Skimmer à dos.

Laisser le moteur se reposer au moins 2 heures de temps entre chaque période de fonctionnement.

6. ENTRETIEN :

6.1. NETTOYAGE DE LA CARTOUCHE

Débrancher l'appareil de la prise de courant.

Retirer le couvercle et le panier.

Dévisser la cartouche de son logement et l'extraire de l'intérieur du Skimmer à dos (Fig. 7).

Placer la cartouche sous un jet d'eau d'un tuyau d'arrosage à basse pression, jusqu'à ce que la cartouche soit bien propre (Fig. 6).

Introduire de nouveau la cartouche, l'extrémité fileté étant dirigée vers le bas, et la visser dans son logement.

Mettre en place le panier préfiltré et le couvercle du Skimmer à dos.

6.2. NETTOYAGE DU FOND DE LA PISCINE

Pour nettoyer le fond de la piscine, vous pouvez vous servir du Skimmer à dos, en utilisant ou Nettoyeur de fond "Triangular" + couvercle adaptation / **AR-2062**.

Consultez votre revendeur ou le Service Après-Vente du fabricant de la piscine pour en faire l'achat. N'utilisez que des pièces de rechange d'origine.

Un tuyau plus long que la longueur nécessaire pour parvenir à tous les points de la piscine complique la manipulation. Mieux vaut couper le morceau de tuyau en trop. Faites bien attention que les extrémités en caoutchouc ne perdent pas leur étanchéité.

6.2.1. CONNEXION DU NETTOYEUR DE FOND

Débrancher l'appareil de la prise de courant.

Mettre à l'intérieur du Skimmer l'accessoire bouchon aspiration, la prise dirigée vers le haut, sans retirer le panier.

Amorcer le tuyau.

Faire passer depuis L'INTÉRIEUR DE LA PISCINE l'extrémité du tuyau dans la vanne du Skimmer en faisant très attention que l'air n'y pénètre pas, la connecter à la prise du bouchon d'aspiration, en la tenant obliquement pour en faciliter le raccord.

L'encastrer ensuite horizontalement en introduisant plus profondément le tuyau. FAIRE BIEN ATTENTION DE NE PAS ABÎMER LA VANNE DU SKIMMER AU COURS DE CETTE OPÉRATION.

LE NIVEAU D'EAU DU SKIMMER DOIT ÊTRE AU MAXIMUM ET AU-DESSUS DU RACCORD ENTRE LE BOUCHON ET LE TUYAU POUR ÉVITER LA PÉNÉTRATION D'AIR.

Mettre le Skimmer à dos en marche et procéder au nettoyage du fond de la piscine.

6.2.2. AMORÇAGE DU TUYAU DU NETTOYEUR DE FOND :

Introduire délicatement le nettoyeur de fond avec la perche et le tuyau connecté à l'intérieur de la piscine, verticalement, et en le laissant se remplir d'eau, tout en maintenant le reste du tuyau en dehors de l'eau.

Introduire ensuite petit à petit le tuyau dans l'eau de 50 cm en 50 cm, les segments introduits devant se remplir complètement d'eau au fur et à mesure qu'ils s'enfoncent. À la fin de l'opération, tout le tuyau doit être plongé dans l'eau et rempli.

Si le tuyau n'est pas entièrement amorcé, le nettoyeur de fond ne pourra pas aspirer et le purificateur pourrait s'endommager en fonctionnant à vide.

7. COMPOSANTS ÉLECTRIQUES

Pour garantir la sécurité électrique, l'appareil est doté d'un ensemble électrique protégé contre l'entrée d'eau; en cas de détérioration du câble ou d'un de ses composants, il faudra remplacer tout l'ensemble électrique.

Ne manipuler en aucun cas aucun des composants de cet ensemble électrique, car cela annulerait la sécurité de l'appareil.

REMPLACEMENT DE L'ENSEMBLE ÉLECTRIQUE

En cas de détérioration du câble ou d'un des composants de l'ensemble électrique, procéder comme suit :

- Débrancher l'appareil de la prise de courant.
- Dévisser les 3 vis du couvercle inférieur et extraire le couvercle inférieur.
- Dévisser les 3 vis qui fixent le moteur et retirer le groupe électrique/moteur.
- Mettre en place le nouveau groupe électrique/moteur en vissant les 3 vis au corps du skimmer et remettre le couvercle inférieur en vissant les 3 vis correspondantes.

8. PÉRIODE D'HIVER – ENTRETIEN LORSQUE L'APPAREIL N'EST PAS UTILISÉ

Pour garantir une bonne conservation de l'appareil pendant la période d'hiver, ou lorsque vous ne l'utilisez pas durant de longues périodes de temps, il faudra procéder comme suit :

Vider d'eau la piscine, en arrêtant à 4 cm au-dessous du bord inférieur du cadre (N° 9 Fig. 3) du skimmer à dos.

Introduire le joint torique (Fig. 2) dans le bouchon d'hivernage (N° 14 Fig. 2) et visser celui-ci sur la buse de retour depuis l'intérieur de la piscine, à l'aide de la clé (N° 13 Fig. 2). Démontez la cartouche, la sécher et la ranger.

Il est recommandé de profiter de cette occasion pour vérifier visuellement l'état du câble et des autres composants électriques afin de les remplacer, si besoin est ; pour ce, procéder comme il est décrit dans le paragraphe COMPOSANTS ÉLECTRIQUES.

PROBLÈMES	CAUSE	SOLUTION
Le Skimmer à dos ne filtre pas, mais il introduit de l'eau dans la piscine	La cartouche n'est pas placée correctement	La placer correctement et la visser
	La cartouche est abîmée par suite de son usage	La remplacer par une autre cartouche neuve
Le filtre ne donne pas de débit dans la buse de retour	Par suite de son usage, le filtre est sale	Procéder au nettoyage de la cartouche comme il est indiqué au paragraphe 6.1. Nettoyage de la cartouche
	Mauvaise connexion électrique	Vérifier la connexion Vérifier le câble du filtre

S'il s'avère impossible de trouver une solution à votre problème, veuillez vous mettre en contact avec le fabricant de la piscine. Le numéro de téléphone et les horaires sont indiqués dans les instructions.

9. INFORMATION ENVIRONNEMENTALE Traitement des appareils électriques et électroniques usagés (Applicable uniquement dans (U.E.))



Afin de réduire la quantité de déchets d'appareils électriques et électroniques, afin d'éviter le danger de leurs composants, d'encourager la réutilisation des appareils ainsi que la valorisation de leurs déchets, et de déterminer une gestion appropriée de ceux-ci, en essayant d'améliorer l'efficacité de la protection environnementale, ont été établies de nombreuses normes applicables à la fabrication du produit, et d'autres relatives à la gestion environnementale correcte lorsque ces appareils sont hors service.

De même, on prétend améliorer le comportement environnemental de toutes les personnes qui interviennent dans le cycle de vie des appareils électriques et électroniques, tels que les producteurs, les distributeurs, les utilisateurs et, en particulier, les intervenants directement impliqués dans la gestion des déchets dérivés de ces appareils.

À partir du 13 août 2005, quand vous souhaitez vous débarrasser de votre appareil usagé, vous avez deux façons de vous en défaire :

- si vous achetez un nouvel appareil qui est plus ou moins du même genre ou qui réalise les mêmes fonctions que votre appareil usagé, vous pourrez le remettre au distributeur, sans aucun frais à votre charge, au moment de l'achat
- ou bien vous pourrez le déposer à l'endroit destiné à cette fin par les différents organismes locaux.

Les frais de gestion seront à notre charge.

Les appareils portent une étiquette sur laquelle figure le symbole d'une "poubelle à ordures sur roulettes barrée". Ce symbole indique la nécessité d'une collecte sélective et triée du reste des déchets urbains.

Nos produits sont conçus et fabriqués avec des matériaux et des composants de haute qualité, respectueux de l'environnement, qui sont réutilisables et recyclables. Malgré tout, les différentes parties qui composent cet article ne sont pas biodégradables ; c'est pourquoi, il ne faut pas les mettre au rebut en les jetant dans l'environnement.

CERTIFICAT DE GARANTIE

1. ASPECTS GÉNÉRAUX

- 1.1. Conformément à ces dispositions, le vendeur garantit que le produit **GRE** correspondant à cette garantie ("le Produit") ne présente aucun défaut de conformité au moment de sa livraison.
- 1.2. La Période de Garantie pour le Produit est de deux (2) ans et elle sera calculée à partir du moment de sa remise à l'acheteur.
- 1.3. S'il se produisait un défaut de conformité du Produit et si l'acheteur le notifiât au vendeur pendant la Période de Garantie, le vendeur devrait réparer ou remplacer le Produit à ses propres frais au lieu qu'il jugerait opportun, à moins que cela soit impossible ou disproportionné.
- 1.4. Lorsque le Produit ne pourra être ni réparé ni remplacé, l'acheteur pourra demander une réduction proportionnelle du prix ou, si le défaut de conformité est suffisamment important, la résolution du contrat de vente.
- 1.5. Les parties remplacées ou réparées en vertu de cette garantie n'élargiront pas le délai de la garantie du Produit original, celles-ci étant cependant couvertes par leur propre garantie.
- 1.6. Pour l'effectivité de la présente garantie, l'acheteur devra justifier la date d'acquisition et de livraison du Produit.
- 1.7. Quand plus de six mois se seront écoulés depuis la remise du Produit à l'acheteur et que ce dernier alléguera un défaut de conformité de ce Produit, l'acheteur devra justifier l'origine et l'existence du défaut allégué.
- 1.8. Le présent Certificat de Garantie ne limite pas, ni préjuge les droits correspondant aux consommateurs en vertu des normes nationales de caractère impératif.

2. CONDITIONS PARTICULIÈRES

- 2.1. La présente garantie couvre les produits auxquels ce manuel fait référence.
- 2.2. Le présent Certificat de Garantie ne sera applicable que dans les pays de l'Union européenne.
- 2.3. En vue de l'efficacité de cette garantie, l'acheteur devra suivre strictement les indications du Fabricant comprises dans la documentation qui est jointe au Produit, quand celle-ci sera applicable selon la gamme et le modèle du Produit.
- 2.4. Quand un calendrier sera spécifié pour le remplacement, la maintenance ou le nettoyage de certaines pièces ou de certains composants du Produit, la garantie sera valable uniquement lorsque ledit calendrier aura été suivi correctement.

3. LIMITATIONS

- 3.1. La présente garantie ne sera applicable que dans les ventes réalisées aux consommateurs, considérant comme "consommateur", toute personne qui achète le Produit à des fins ne faisant pas partie du cadre de son activité professionnelle.
- 3.2. Aucune garantie n'est concédée pour ce qui a trait à l'usure normale due à l'utilisation du Produit. En ce qui concerne les pièces, composants et/ou matériels fongibles ou consommables comme les piles, les ampoules, etc., il faudra respecter, le cas échéant, ce qui est stipulé dans la documentation qui est jointe au Produit.
- 3.3. La garantie ne couvre pas les cas où le Produit : (I) a été l'objet d'un traitement incorrect ; (II) a été réparé, entretenu ou manipulé par une personne non autorisée ou (III) a été réparé ou entretenu avec des pièces n'étant pas d'origine.
- 3.4. Quand le défaut de conformité du Produit sera la conséquence d'une installation ou d'une mise en marche incorrecte, la présente garantie répondra uniquement lorsque ladite installation ou mise en marche sera comprise dans le contrat d'achat et de vente du Produit et aura été réalisée par le vendeur ou sous sa responsabilité.

WICHTIG: Das Handbuch mit den Betriebsanleitungen, das Sie in Händen halten, enthält wichtige Information über die anzuwendenden Sicherheitsmaßnahmen für die Installation und Inbetriebnahme. Es ist daher unerlässlich, daß die Anweisungen vom Installateur und vom Benutzer vor der Montage und Inbetriebnahme aufmerksam durchgelesen werden. Bewahren Sie dieses Handbuch auf, falls Sie zu einem späteren Zeitpunkt Informationen über die Funktion dieses Apparates nachschlagen möchten.

Um die beste Leistung des Hängefilter, zu erzielen, empfiehlt es sich, die nachfolgenden Anweisungen zu befolgen:

SICHERHEITSHINWEISE, BITTE AUFMERKSAM LESEN

- Bei der gesamten Installation elektrischer Komponenten muss folgende Norm befolgt werden:
NF C15-100

Diese Norm bezieht sich auf "den Aufbau von elektrischen Installationen in Hallenbädern und Freibädern". Ebenso müssen die Normen befolgt werden, die in jeder Region oder jedem Land anwendbar sind.

- "Alle Filtereinrichtungen entsprechen der Norm für die Installation C 15-100, die angibt, dass alle elektrischen Apparate, die sich in weniger als 3,5 m Entfernung vom Schwimmbad befinden und frei zugänglich sind, mit einer Niederspannung von 12 V gespeist werden müssen. Alle Apparate, die mit 220 V gespeist werden, müssen sich mindestens 3,5 m vom Rand des Schwimmbeckens entfernt befinden. Wenn ein oder mehrere Elemente des Filtersystems geändert werden sollen, muss der Hersteller die entsprechende Genehmigung erteilen"
- Die elektrische Installation muss von Fachleuten für elektrische Installationen durchgeführt werden.
- Der Apparat darf nicht laufen, während Sie das Schwimmbad benutzen.
- Der Apparat darf niemals ohne Wasser funktionieren.
- Fassen Sie den laufenden Apparat NIEMALS mit nassen Händen oder nassem Körper an.
- Wenn Sie am Apparat Arbeiten ausführen, UNTERBRECHEN Sie stets die Stromversorgung.
- Bevor Sie Arbeiten an der elektrischen Anlage vornehmen, stellen Sie sicher, dass der Boden trocken ist.
- Legen Sie den Apparat nirgendwo hin, wo er nass werden kann, es besteht die Gefahr eines Elektroschocks.
- Kinder und Erwachsene dürfen sich nicht auf den Apparat setzen oder stützen.
- Der Apparat darf nicht länger als 4 Stunden ununterbrochen benutzt werden.
- Wenn das flexible Speisekabel dieses Apparates beschädigt ist, muss es ersetzt werden. Lesen Sie die Anleitungen zum Austausch des Kabels sorgfältig durch. Bei Zweifeln wenden Sie sich an den Kundendienst.

1. ÜBERPRÜFEN SIE DEN INHALT DES PACKSTÜCKES:

Bei der Ausrüstung, die Sie erworben haben, handelt es sich um einen Apparat, der speziell für erhöhte Swimmingpools entworfen wurde. Dieser Apparat zeichnet sich durch innovatives Design und große Funktionalität aus.

Im Inneren der Kiste finden Sie die auf Seite 30 aufgeführten Komponenten.

2. ALLGEMEINE CHARAKTERISTIKEN:

Dieser Skimmer ist zur Verwendung bei Swimmingpools mit Süßwasser gedacht. Es handelt sich um einen Elektroapparat der Klasse I mit dem Schutzgrad IPX8 (Widerstand gegen das Eindringen von Staub, festen Körpern und Feuchtigkeit).

ANSCHLUSS DES APPARATES

Der Transformator wird an eine Wechselstromquelle 230V 50 Hz angeschlossen, die über einen omnipolaren Schalter verfügt, damit dem Apparat kein Strom zugeführt wird, wenn er nicht verwendet werden soll und einen Differentialschalter 30 mA zum Schutz gegen elektrische Entladung.

Der Hersteller übernimmt keinerlei Verantwortung für die Montage, Installation oder Inbetriebnahme, sofern irgendeine Art Handhabung oder Einbau von Elektrokomponenten nicht in seinem Betrieb durchgeführt worden sind.

3. INSTALLATION:

Die Installation dieser Anlage ist sehr einfach, deshalb kann EIN ERWACHSENER sie in ungefähr einer HALBEN STUNDE fertigstellen. Dabei müssen die Anleitungen in diesem Handbuch genau befolgt werden.

Folgende Werkzeuge sind für den korrekten Umgang mit den Komponenten und Einbau des Apparates notwendig:

Funktion	Werkzeug	Alternatives Werkzeug
Schrauben anziehen	Schraubendreher Typ Philips	Schraubendreher 7 mm
Liner ausschneiden	Cutter	Messer

VOR DER INSTALLATION

Vor der Montage des Skimmers am Becken, ist das Becken so auszurichten, daß die Prägung, welche zur Skimmeraufnahme dient, der dominierenden Windrichtung entgegengesetzt angeordnet ist (Siehe Bild 2) Damit wird erreicht, daß der auf der Wasseroberfläche des Beckens vorhandene Schmutz vom Wind in Richtung der Öffnung des eingehängten Skimmers getrieben wird.

Beachten Sie die Montageanweisungen für das Blech und die Folie des Beckens.

Der Skimmer ist an der oberen Außenseite des Beckens anzubringen.

Seine Aufgabe ist es, das Wasser von der Oberfläche aufzunehmen, wobei die groben Verunreinigungen im Vorfilter-Korb herausgefiltert werden. Die kleineren Verunreinigungen hingegen werden in der Filterkartusche zurückgehalten.

AUF GAR KEINEN FALL DARF DAS CHEMISCHE MITTEL IN DEN KORB ODER ÜBER DEN FILTER ZUGEgeben WERDEN, DIES WÜRDIE DIE WERKSTOFFE DES GERÄTES BESCHÄDIGEN UND SEINE WIRKSAMKEIT EINSCHRÄNKEN.

4. MONTAGE:

Im Körper des Skimmer ist das Filterelement oder die Filterkartusche untergebracht, ebenso sind in seinem unteren Teil der Motor und die Turbine angeordnet. Diese sorgen für die Zirkulation des Wassers, welches im oberen Bereich durch die Skimmeröffnung aufgenommen und nach der Filtration über die untere Düse zurückgeführt wird.

4.1. BEFESTIGUNG DES EINGEHÄNGTEN SKIMMERS

4.1.1. VORHERIGE BEFESTIGUNG DES ANSCHLUSSTÜCKES FÜR DEN RÜCKLAUF DES EINHÄNGESKIMMERS (Abb. 2)

Über dieses Anschlussstück wird das gefilterte Wasser erneut in das Schwimmbad eingelassen. So wird der Filterzyklus abgeschlossen.

Beginnen Sie damit, das Schwimmbecken bis ungefähr 4 cm unterhalb des unteren Randes der Öffnung des Rücklaufventils mit Wasser zu füllen.

Markieren Sie die Öffnung mit einem Filzstift und schneiden Sie mithilfe des Cutters (MESSER) die Mitte der Öffnung kreuzförmig ein, **ohne dabei über das Loch des Stanzwerkzeugs hinauszuschneiden**.

Den Reibring und eine der Dichtungen (Abb. 2), in das Anschlussstück für den Rücklauf einführen.

Vom Inneren des Schwimmbeckens durch den Einschnitt das Anschlussstück für den Rücklauf mit dem Reibring und der Dichtung einführen.

Die Stücke des Liner, die außen aus dem Schwimmbecken herausstehen, **müssen sauber und maßgerecht abgeschnitten werden**.

4.1.2. BEFESTIGUNG DES KÖRPERS DES EINHÄNGESKIMMERS

Den Liner mit dem Cutter (Messer) ausschneiden und dabei der Markierung Matrize folgen (**der Liner darf nicht gespannt werden**).

Die doppelte Dichtung des Skimmers montieren und **dabei das Blech und den Liner umfassen** (Nr. 7 Abb. 3).

Den Schieber des Skimmers (Abb. 5) anbringen und den Skimmer vorläufig mit zwei kurzen Schrauben vom Inneren des Schwimmbeckens aus am Schwimmbecken befestigen (Nr.8 Abb.3). Die Schrauben sollten durch den Liner, die doppelte Dichtung, und das Blech des Schwimmbeckens gehen und schließlich in den Löchern des Skimmers stecken (Abb. 3).

4.1.3. BEFESTIGUNG DES ANSCHLUSSTÜCKES FÜR DEN RÜCKLAUF

Vom Äußeren des Schwimmbads aus die andere Dichtung (Abb. 2) in das Gewinde des Anschlussstücks für den Rücklauf, das heraussteht, einführen.

Das Anschlussstück für den Rücklauf fest mit einem Schraubenschlüssel gegen den Körper des Einhängeskimmers anziehen (Nr. 13 Abb. 2).

4.1.4. BEFESTIGUNG DES RAHMENS DES EINHÄNGESKIMMERS

Vom Inneren des Schwimmbads auf die Dichtung den Rahmen des Einhängeskimmers (Nr. 9, Abb. 3) legen. Die Abdeckung noch nicht anbringen. 10 lange Schrauben (Nr. 8, Abb. 3) durch den Rahmen und den Liner drehen. Ziehen Sie diese nur leicht an und überprüfen Sie, ob alles korrekt sitzt. Die Schrauben nicht von Anfang an fest anziehen. Fangen Sie leicht in der angegebenen Reihenfolge (Abb. 4) an und ziehen Sie die Schrauben am Ende fest an.

4.1.5. LETZTE DETAILS

Die Abdeckung (Nr. 9, Abb. 3) anbringen und dabei darauf achten, dass die Markierungen für das Niveau sich in der korrekten Position befinden.

Die Filterkartusche mit dem Gewinde nach unten zeigend einführen und in die entsprechende Aufnahme schrauben.

Den Korb des Vorfilters oben im Inneren des Einhängeskimmers anbringen. Zuletzt montieren Sie die Abdeckung des Einhängeskimmers, sie wird einfach in die Aufnahme gedreht.

Füllen Sie anschließend das Schwimmbecken ganz auf, solange bis das Wasser sich genau zwischen den Markierungen für den höchsten und niedrigsten Wasserstand befindet

Den Ansaugdeckel nicht anbringen. Benutzen Sie diesen nur, wenn Sie den Bodenreiniger benutzen.

4.2. ELEKTRISCHER ANSCHLUSS

Den Transformator in einer Entfernung von mindestens 3,5 m vom Schwimmbeckenrand aufstellen (Abb. 1). Den Transformator an eine Stromquelle mit Wechselstrom 230 V und 50 Hz mit Erdung anschließen. Es muss unbedingt ein mehlpoliger Schalter benutzt werden, damit das Filter nicht unter Strom steht, wenn es nicht benutzt wird. Außerdem muss ein Differenzial mit 30 mA zum Schutz gegen Entladungen benutzt werden. (Nicht mitgeliefert. Sie können diese Komponente in Elektrofachhandlungen erwerben).

Überprüfen Sie die Funktion des Motors, indem Sie eine Hand vor das Anschlussstück des Rücklaufes legen, um zu überprüfen, ob Wasser herauskommt.

FILTERN:

Der Skimmer wurde zum Ansaugen und Zurückhalten von Schmutzpartikeln entworfen, die im Wasser des Schwimmbeckens aufgelöst sind. Nach einer anfänglichen Behandlung mit dem Filter (bis das Wasser im Schwimmbecken sauber ist), **sollte das gesamte Wasser im Schwimmbecken einmal am Tag zirkulieren**.

Die Reinigung des Wassers wird mit der Filterkartusche (Nr. 4) durchgeführt, die sich im Inneren des Skimmers befindet. Diese besteht aus einem feinen Gewebe, das den Schmutz zurückhält.

Je nach Verschmutzungsgrad, Filterstunden und Wassermenge im Schwimmbecken muss die Filterkartusche (Nr. 4) mehr oder weniger häufig gereinigt werden. Wenn die Wassermenge, die ins Schwimmbecken zurückfließt, geringer wird, muss die Filterkartusche gereinigt und gegebenenfalls durch eine neue ersetzt werden.

Die notwendige Filtermenge wird durch das Verhältnis zwischen dem Volumen in m³ des Wassers im Schwimmbad zu den m³/h der Durchflussmenge des Apparates bestimmt.

Der Motor sollte zwischen zwei Funktionsintervallen mindestens 2 Stunden angehalten werden.

$$\frac{\text{Volumen im Schwimmbad in m}^3}{\text{Filterdurchflussmenge in m}^3/\text{h}} = \text{notwendige Stunden}$$

Bei der ersten Behandlung durch Filtern sollten die angegebenen Ruhezeiten eingehalten werden. Je höher die Wassertemperatur im Schwimmbecken ist, desto länger sollte gefiltert werden.

DAS CHEMISCHE PRODUKT DARF NIEMALS IN DEN KORB ODER DURCH DIE SCHWÄMME ODER DIE KARTUSCHE EINGEGEBEN WERDEN. DADURCH WIRD DAS MATERIAL DES APPARATES ZERSTÖRT UND SEINE WIRKSAMKEIT BEEINTRÄCHTIGT.

KEINE AUSFLOCKUNGSMITTEL BENUTZEN!

5. FUNKTION

Die Reinigung des Wassers wird mit der Filterkartusche durchgeführt, die sich im Inneren des Skimmers befindet. Diese besteht aus einem feinen Gewebe, das den Schmutz zurückhält.

Je nachdem, wie lange das Filter benutzt wird, ob sich in der Umgebung Bäume, Polen oder Insekten befindet, wie oft im Schwimmbecken gebadet wird, ist das Wasser stärker oder leichter verschmutzt und muss dementsprechend häufiger oder seltener gereinigt werden.

Wenn die Wassermenge, die ins Schwimmbecken zurückfließt, abnimmt, muss das Filter gereinigt werden. (siehe Absatz 6.1. Reinigung der Kartusche).

Um das Schwimmbecken in gutem Zustand zu erhalten, müssen zusätzlich die vom Hersteller empfohlenen, chemischen Produkte benutzt werden (Chlor, Algenvernichtungsmittel, usw.)

Das Einhängefilter hält länger, wenn es nicht länger als 4 h durchgehend benutzt wird. Die täglich notwendigen Filtermengen werden durch die Wassermenge in m³ im Schwimmbecken im Verhältnis zu den 3, 8 m³/h Durchflussmenge des Einhängeskimmers bestimmt. Der Motor sollte mindestens 2 Stunden zwischen zwei Funktionsintervallen angehalten werden.

6. INSTANDHALTUNG:

6.1. REINIGUNG DER KARTUSCHE

Schließen Sie den Apparat von der Stromzufuhr ab.

Nehmen Sie den Deckel und den Korb ab.

Schrauben Sie die Kartusche aus ihrer Aufnahme heraus, nehmen Sie sie aus dem Inneren des Einhängeskimmers (Abb. 7).

Reinigen Sie die Filterkartusche mit dem Wasserstrahl eines Gartenschlauch unter Druck, bis die Filterkartusche sauber ist (Abb. 6).

Die Filterkartusche mit dem Gewinde nach unten zeigend einführen und in die entsprechende Aufnahme schrauben.

Den Korb des Vorfilters und den Deckel des Einhängeskimmers montieren.

6.2. REINIGUNG DES BODENS DES SCHWIMMBECKENS

Für die Reinigung des Bodens des Schwimmbeckens können Sie den Einhängeskimmer mit folgendem Zubehör benutzen: oder Bodenreiniger "Triangular" + Deckel zum Anpassen / **AR-2062**.

Fragen Sie im Fachhandel oder beim Kundendienst des Herstellers Ihres Schwimmbeckens nach. Benutzen Sie stets Originalersatzteile.

Falls Sie einen zu langen Schlauch benutzen, um alle Ecken des Schwimmbeckens zu erreichen, ist die Reinigung schwieriger. Kürzen Sie den Schlauch auf die korrekte Länge. Achten Sie darauf, dass die Gummienstücke dicht sind.

6.2.1. ANSCHLUSS DES BODENREINIGERS

Schließen Sie den Apparat von der Stromzufuhr ab.

Im Inneren des Skimmers das Zubehörteil Ansaugdeckel mit dem Anschluss nach oben anbringen, ohne den Korb herauszunehmen.

Den Schlauch einführen.

Vom INNEREN DES SCHWIMMBECKENS das Ende des Schlauchs durch den Schieber des Skimmers einführen und darauf achten, dass keine Luft eindringt. An den Anschluss des Ansaugdeckels anschließen und diesen dabei schräg halten, damit dies leichter geht.

Den Deckel horizontal anbringen und den Schlauch weiter einführen. **VORSICHT, DASS DER SCHIEBER DES SKIMMERS DABEI NICHT BESCHÄDIGT WIRD.**

DER WASSERSTAND DES SCHWIMMERS SOLLTE SICH AUF DEM MAXIMUM UND OBERHALB DER VERBINDUNG ZWISCHEN DEM DECKEL UND DEM SCHLAUCH BEFINDEN, DAMIT KEINE LUFT EINDRINGEN KANN.

Den Einhängeskimmer starten und den Boden des Schwimmbeckens reinigen.

6.2.2. FÜLLEN DES SCHLAUCHS DES BODENREINIGERS:

Führen Sie den Bodenreiniger mit angeschlossenem Stab und Schlauch vertikal in das Innere des Schwimmbeckens ein. Warten Sie, bis er mit Wasser gefüllt ist und halten Sie den Rest des Schlauches außerhalb des Wassers.

Führen Sie den Schlauch langsam in Abschnitten von 50 cm (unter Wasser) in das Wasser ein, während er sich vollständig mit Wasser füllt. Der ganze Schlauch sollte schließlich mit Wasser gefüllt sein.

Wenn die Schlauch nicht vollständig eingeführt ist, saugt der Bodenreiniger nicht und die Kläranlage könnte durch ein Arbeiten mit Vakuum beschädigt werden.

7. ELEKTRISCHE KOMPONENTEN

Um die elektrische Sicherheit zu garantieren, ist die Anlage mit einer elektrischen Gruppe ausgestattet, die gegen das Eindringen von Wasser geschützt ist. Falls das Kabel oder eine Komponente beschädigt wird, sollte die gesamte elektrische Gruppe ausgetauscht werden.

Sie dürfen niemals etwas an den Komponenten der elektrischen Gruppe verändern, damit wäre die Sicherheit der Anlage nicht mehr gewährleistet.

LAGE DER ELEKTRISCHEN GRUPPE

Falls das Kabel oder eine Komponente der elektrischen Gruppe beschädigt ist, gehen Sie wie folgt vor:

- Schließen Sie den Apparat von der Stromzufuhr ab.
- Die drei Schrauben der unteren Abdeckung herausdrehen und die untere Abdeckung entfernen.
- Die drei Schrauben, die den Motor halten, lösen und die Elektrogruppe/Motor abnehmen.
- Die neue Elektrogruppe/Motor anbringen und die drei Schrauben an den Körper des Skimmers schrauben. Die untere Abdeckung mit den drei dazugehörigen Schrauben wieder befestigen.

8. WINTER – INSTANDHALTUNG BEI NICHTBENUTZUNG

Um das Schwimmbecken im Winter oder während längerer Zeiten der Nichtbenutzung vor Schäden zu schützen, müssen Sie wie folgt vorgehen:

Das Wasser aus dem Schwimmbecken bis zu einer Höhe von 4 cm unterhalb des unteren Rand des Rahmens (Nr. 9, Abb. 3) des Einhängeskimmers ablassen.

Den O-Ring (Abb. 2) in den Deckel zum Überwintern (Nr. 14 Abb. 2) einführen und diesen in das Anschlussstück des Rücklaufs vom Inneren des Schwimmbeckens mit einem Schlüssel eindrehen (Nr. 13 Abb. 2). Die Kartusche abmontieren, trocknen und verstauen.

Bei Verstauen der Anlage sollte auch eine Sichtprüfung des Zustands des Kabels und der übrigen Komponenten durchgeführt werden, um diese, falls notwendig, auszutauschen. Gehen Sie dazu so vor, wie es im Absatz ELEKTRONISCHE KOMPONENTEN beschrieben ist.

PROBLEME	URSACHE	LÖSUNG
Der Einhängeskimmer filtert nicht, aber es läuft Wasser ins Schwimmbecken.	Die Kartusche ist nicht korrekt angebracht.	Korrekt anbringen und anschrauben.
	Die Kartusche ist abgenutzt.	Durch eine neue Kartusche ersetzen
Das Filter lässt kein Wasser in das Anschlussstück des Rücklaufs strömen.	Das Filter ist durch die Benutzung verschmutzt.	Die Kartusche wie in Absatz 6.1, Reinigung der Kartusche, beschrieben reinigen
	Elektrischer Anschluss nicht korrekt	Den Anschluss überprüfen Das Kabel des Filters überprüfen

Falls Sie das Problem nicht lösen können, rufen Sie den Hersteller unter der im Handbuch angegebenen Rufnummer zu den angegebenen Sprechzeiten an.

9. UMWELTINFORMATION Behandlung von elektrischen und elektronischen Geräten nach ihrer Abnutzung (nur innerhalb der EG anwendbar)



Um die Menge an Abfällen, die aus elektrischen und elektronischen Geräten bestehen, zu reduzieren, die Gefahr einzudämmen, die Wiederverwertung der Apparate und die Bewertung dieser Rückstände zu fördern und ein geeignetes Management zu finden, um die Wirksamkeit des Umweltschutzes zu erhöhen, werden eine Reihe von Normen festgelegt, die auf die Herstellung des Produktes angewandt werden, und Normen, die sich auf die korrekte und umweltbewusste Entsorgung beziehen, wenn diese Produkte zu Abfall werden.

Ebenso soll das Umweltbewusstsein aller Beteiligten verbessert werden, die mit den elektrischen und elektronischen Apparaten während deren gesamtem Nutzungszyklus in Kontakt kommen, das sind zum Beispiel die Hersteller, die Vertrieber, die Benutzer und insbesondere diejenigen, die direkt mit der Entsorgung der Rückstände zu tun haben, die durch diese

Apparate entstehen.

Ab dem 13. August 2005 gibt es zwei Möglichkeiten für die Rückgabe, wenn Sie diesen Apparat entsorgen möchten:

- Falls Sie einen neuen, ähnlichen Apparat oder einen, der den gleichen Funktionen dient, erwerben, können Sie das alte Gerät kostenlos beim Kauf des neuen Gerätes an Ihren Verkäufer zurückgeben.
- Oder Sie können den Apparat zu einer der öffentlichen Annahmestellen für diese Art von Sondermüll bringen.

Wir übernehmen die Kosten der Entsorgung.

Die Apparate sind mit einem Etikett mit dem Symbol eines „durchgestrichenen Abfallcontainers mit Rädern“ versehen. Dieses Symbol gibt an, dass es sich um Sondermüll handelt, und nicht um gewöhnlichen städtischen Müll.

Unsere Produkte bestehen aus Materialien und Komponenten hoher Qualität, die umweltfreundlich sind und wieder benutzt oder recycelt werden können. Dennoch sind die verschiedenen Teile, aus denen dieses Produkt besteht, nicht biologisch abbaubar, deshalb können sie nicht einfach weggeworfen werden. Um dieser Produkt korrekt zu recycling, bitte den elektrischen Motor von der Filteranlage zerlegen.

GARANTIEZERTIFIKAT

1. ALLGEMEINE GESICHTSPUNKTE

- 1.1. In Übereinstimmung mit diesen Verfügungen garantiert der Verkäufer, dass das Produkt **GRE** dieser Garantie ("das Produkt") entspricht und dass es im Moment der Übergabe in allen Punkten mit den Anforderungen übereinstimmt.
- 1.2. Der Garantiezeitraum für das Produkt beträgt zwei (2) Jahre und wird ab dem Augenblick der Lieferung an den Käufer gerechnet.
- 1.3. Falls ein Mangel am Produkt auftritt und der Käufer den Verkäufer innerhalb des Garantiezeitraums darüber unterrichtet, muss der Verkäufer das Produkt auf eigene Kosten dort reparieren oder ersetzen, wo es für ihn am günstigsten ist, es sei denn, dies ist unmöglich oder unverhältnismäßig.
- 1.4. Wenn das Produkt weder repariert noch ersetzt werden kann, kann der Käufer einen angemessenen Preisnachlass beantragen, oder, falls es sich um einen größeren Mangel handelt, die Auflösung des Kaufvertrages.
- 1.5. Die Teile, die aufgrund dieser Garantie ersetzt oder repariert werden, verlängern den Garantiezeitraum für das Originalprodukt nicht. Jedoch existiert für diese Teile eine eigene Garantie.
- 1.6. Um die vorliegende Garantie wirksam werden zu lassen, muss der Käufer das Kaufdatum und das Lieferdatum des Produktes belegen.
- 1.7. Nach Ablauf von sechs Monaten ab Lieferung des Produktes an den Käufer muss, im Falle eines Mangels, der Käufer den Ursprung und das Vorhandensein des angegebenen Mangels belegen.
- 1.8. Das vorliegende Garantiezertifikat schränkt die Rechte, die der Verbraucher aufgrund der herrschenden, nationalen Gesetzgebung hat, nicht ein.

2. SONDERBEDINGUNGEN

- 2.1. Die vorliegende Garantie gilt für die Produkte, auf die sich dieses Handbuch bezieht.
- 2.2. Das vorliegende Garantiezertifikat ist nur in den Ländern der Europäischen Gemeinschaft anwendbar.
- 2.3. Diese Garantie gilt nur, wenn der Käufer alle Anweisungen des Herstellers, die in der produktbegleitenden Dokumentation enthalten und für die jeweilige Produktlinie und Modell anwendbar ist, streng einhält.
- 2.4. Wenn ein Zeitplan für den Austausch von Teilen, die Instandhaltung und Reinigung bestimmter Teile oder Produktkomponenten aufgestellt wurde, gilt die Garantie nur dann, wenn dieser Zeitplan korrekt eingehalten wurde.

3. EINSCHRÄNKUNGEN

- 3.1. Die vorliegende Garantie ist nur auf Verkäufe an Verbraucher anwendbar. "Verbraucher" sind alle Personen, die dieses Produkt zu privaten Zwecken erwerben.
- 3.2. Es wird keine Garantie für die normale Abnutzung durch den Gebrauch des Produktes gewährt. Informationen über Teile, Komponenten und/oder verschleißbare Materialien oder Verbrauchsgüter oder Batterien, Glühbirnen etc. finden Sie in der Dokumentation, die das jeweilige Produkt begleitet.
- 3.3. In folgenden Fällen gilt die Garantie nicht: (I) Das Produkt wurde nicht korrekt benutzt; (II) das Produkt wurde von nicht autorisierten Personen repariert, instandgehalten oder bedient oder (III) das Produkt wurde mit nicht originalen Ersatzteilen repariert oder instandgehalten.
- 3.4. Wenn der Mangel auf eine falsche Installation oder Inbetriebnahme zurückzuführen ist, gilt die vorliegende Garantie nur, wenn diese Installation oder Inbetriebnahme in den Kaufvertrag des Produktes eingeschlossen war, und von dem Verkäufer oder auf dessen Verantwortung durchgeführt wurde.

IMPORTANTE: Il manuale d'istruzioni in suo possesso contiene informazioni fondamentali sulle misure di sicurezza da adottare per l'installazione e la messa in servizio. Per ciò è imprescindibile che sia l'installatore che l'utente leggano le istruzioni prima di iniziare il montaggio e la messa in servizio.
Conservi questo manuale per poter consultare in futuro in merito al funzionamento di questo apparecchio.

Per ottenere un ottimo rendimento dello Skim-filter, è conveniente fare attenzione alle seguenti istruzioni:

INDICAZIONI DI SICUREZZA, LEGGERE ATTENTAMENTE

- Per tutto ciò che riguarda l'installazione elettrica, si deve seguire la normativa:
NF C15-100

che si riferisce a "la realizzazione di installazioni elettriche, sia in piscine al coperto sia in piscine all'aria aperta", o la normativa analoga in vigore in ogni zona o paese.

- "Tutti i filtri adempiono alla norma d'installazione C 15-100 che specifica che ogni apparecchio elettrico ubicato a meno di 3,5 m dalla piscina e accessibile liberamente deve essere alimentato con una tensione molto bassa da 12 V. Ogni apparecchio alimentato a 220 V deve essere ubicato almeno a 3,5 m dal bordo della piscina. Si renderà necessario richiedere l'autorizzazione del fabbricante per qualsiasi modifica di uno o più elementi del sistema di filtraggio"
- L'installazione elettrica deve essere realizzata da personale professionale qualificato in installazioni elettriche.
- Non tenga l'apparecchio in marcia mentre utilizza la piscina.
- Non faccia funzionare l'apparecchio senza acqua.
- Non tocchi MAI l'apparecchio in marcia con il corpo umido o le mani umide.
- Tutte le volte che si renda necessario manipolare l'apparecchio, bisognerà **DISINSERIRLO** dalla presa di corrente.
- Si assicuri che il suolo sia asciutto, prima di toccare l'apparecchio elettrico.
- Non collochi l'apparecchio in luoghi ove possa bagnarsi, giacché ciò potrebbe causare scosse elettriche.
- Non permetta né a bambini né a adulti di appoggiarsi o di sedersi sull'apparecchio.
- Non utilizzare l'apparecchio per più di 4 ore di seguito.
- Se il cavo flessibile dell'alimentazione di questo apparecchio è danneggiato, si renderà necessario sostituirlo. Legga attentamente le istruzioni riguardanti la sua sostituzione. In caso di dubbi, si rivolga ad un servizio tecnico.

1. CONTROLLARE IL CONTENUTO DELL'IMBALLAGGIO:

L'elemento filtrante o filtro a cartuccia si alloggia nel corpo dello Skimmer, nella cui parte inferiore si trovano anche il motore e la turbina, incaricati di procurare una circolazione d'acqua. Quest'acqua viene raccolta nella parte superiore attraverso la bocca dello Skimmer e, una volta filtrata, viene restituita dalla bocchetta inferiore.

2. CARATTERISTICHE GENERALI

Questo Skimmer è stato progettato per essere utilizzato in piscine d'acqua dolce. Si tratta di un apparecchio elettrico di classe I che rispetta il grado di protezione IPXB (resistenza alla penetrazione di polvere, ai corpi solidi e all'umidità).

COLLEGAMENTO DELL'APPARECCHIO

Collegare il trasformatore ad una fonte di corrente alternata di 230V 50 Hz, che disponga di un interruttore onnipolare, per lasciare senza tensione l'apparecchio quando non debba essere utilizzato e, un differenziale di 30 mA per la protezione dalle scariche.

Il fabbricante rifiuta qualsiasi responsabilità per il montaggio, l'installazione o la messa in funzione di componenti elettrici che siano stati manipolati o introdotti al di fuori dei suoi stabilimenti.

3. INSTALLAZIONE

Data la sua facilità d'installazione, questo apparecchio può essere montato da **UNA PERSONA ADULTA** e in un periodo di tempo di circa mezz'ora, con la precauzione in ogni caso di rispettare in maniera corretta le istruzioni che vengono riportate in questo manuale.

Per un corretto impiego ed installazione dei componenti è necessario utilizzare i seguenti utensili:

Funzione	Utensile consigliato	Utensile alternativo
Stringere le viti	Cacciavite per viti philips	Cacciavite stecker 7 mm
Tagliare il liner	Taglierino	Coltellino

PRIMA DI EFFETTUARE L'INSTALLAZIONE

Prima d'installare lo Skimmer nella piscina, si deve collocare la piscina in modo che l'apertura presente su questa per la collocazione dello Skimmer si trovi di fronte alla direzione in cui spirano i venti dominanti (vedere fig. 2), perché questi aiutino a portare la sporcizia che rimane sulla superficie della piscina verso la bocca dello Skimmer.

Seguire attentamente le istruzioni per il montaggio della piastra e dell'olona della piscina.

Lo Skimmer deve rimanere nella parte esterna e alta della parete della piscina.

La sua funzione è quella di raccogliere l'acqua della superficie, facendo depositare nel cesto prefiltro le impurità di maggiori dimensioni e lasciando passare quelle di minori dimensioni perché siano trattenute nel filtro a cartuccia.

I PRODOTTI CHIMICI NON DEVONO ESSERE MAI COLLOCATI NEL CESTO O ATTRAVERSO IL FILTRO, DATO CHE CIÒ DETERIOREREBBE I MATERIALI DELL'APPARECCHIO E NE RIDURREBBE L'EFFICACIA.

4. MONTAGGIO

L'apparecchio acquistato è una attrezzatura specificamente concepita e disegnata per piscine fuoriterra e si caratterizza per design innovativo e gran funzionalità.

All'interno della scatola troverà i seguenti componenti descritti a pagina 30.

4.1. FISSAGGIO DELLO SKIMMER

4.1.1. PREFISSAGGIO DELLA BOCCHETTA D' IMMISIONE DELLO SKIMMER PENSILE (Figura 2)

La bocchetta d'immissione riconduce l'acqua filtrata all'interno della piscina chiudendo il ciclo di filtrazione.

Riempire d'acqua la piscina, fermandosi una volta raggiunta la distanza di 4 cm dal bordo inferiore dell'orifizio della valvola d'immissione.

Marcare l'orifizio con un pennarello ed effettuare un taglio a croce nel centro dello stesso con l'aiuto di un taglierino **senza eccedere la traccia marcata**.

Introdurre l'anello di frizione ed una delle guarnizioni (Figura 2) nella bocchetta di ritorno.

Dalla parte interna della piscina, introdurre, attraverso il taglio realizzato, la bocchetta d'immissione assemblata come sopra.

Il liner eccedente, che fuoriesce sul lato esterno della piscina, **dovrà essere tagliato in modo netto e preciso**.

4.1.2. FISSAGGIO DEL CORPO DELLO SKIMMER PENSILE

Tagliare il liner con un taglierino seguendo il profilo d'incastro (**durante questa operazione il liner non deve essere sottoposto a nessun tipo di tensione**).

Montare la guarnizione doppia dello skimmer, **applicandola sulla struttura rigida e sul liner** (N° 7 Figura 3).

Montare la paratia dello skimmer (Figura 5) e fissare lo skimmer alla piscina avvitando, dal lato interno della piscina, le 2 viti corte (N°8 Figura 3) che devono attraversare il liner, la doppia guarnizione, la struttura rigida della piscina, andandosi ad inserire nei fori presenti sul corpo dello skimmer (Figura 3).

4.1.3. FISSAGGIO DELLA BOCCHETTA D'IMMISSIONE

Dalla parte esterna della piscina, posizionare l'altra guarnizione (Figura 2) sulla parte filettata della bocchetta d'immissione.

Avvitare saldamente la bocchetta al corpo dello Skimmer Pensile con l'aiuto di una chiave utensile (N° 13 Figura 2).

4.1.4. FISSAGGIO DELLA STRUTTURA DI SUPPORTO DELLO SKIMMER PENSILE

Dal lato interno della piscina, collocare - previa rimozione della copertura - la struttura di supporto sulla guarnizione dello skimmer (N° 9 Figura 3),

introdurre le 10 viti lunghe (N° 8 Figura 3) negli appositi fori della struttura di supporto attraversando il liner, avvitandoli parzialmente per verificarne il corretto innesto. All'inizio di quest'operazione si raccomanda di non stringere le viti con forza, ma bensì di avvitarle dolcemente seguendo l'ordine indicato (Figura 4), stringendole con energia solo al termine della operazione.

4.1.5. ULTIMI PARTICOLARI

Collocare la copertura della struttura di supporto (N° 9 Figura 3), facendo in modo che gli indicatori di livello assumano la posizione adeguata.

Introdurre la cartuccia del filtro con l'estremità filettata rivolta verso il basso, avvitarla nella sua sede.

Nella parte superiore collocare, all'interno dello skimmer, il cesto di prefiltrazione, ed infine posizionare la chiusura superiore dello skimmer, avvitandola nella sua sede con un semplice giro.

Finire di riempire la piscina, facendo in modo che il livello dell'acqua raggiunga una posizione compresa tra gli indicatori di livello minimo e massimo del foro di entrata dello skimmer.

Non collocare l'adattatore di aspirazione. Questo va montato solo quando si usa l'aspirafango per le operazioni di pulizia del fondo della piscina.

4.2. COLLEGAMENTO ELETTRICO

Collocare il trasformatore ad una distanza minima di 3,5 m dal bordo della piscina (Figura 1). Collegare il trasformatore ad una fonte di corrente alterna di 230 V e 50Hz, dotata di messa a terra. È indispensabile utilizzare un interruttore omnipolare per interrompere la tensione al filtro in fase di non utilizzo, nonché un differenziale di sicurezza di 30 mA. (Quest'ultimo non è compreso nella fornitura. Può acquistarsi presso un negozio di materiale elettrico).

Verificare il funzionamento del motore, collocando una mano davanti alla bocchetta d'immissione al fine di controllare l'effettiva fuoriuscita d'acqua.

FILTRAZIONE:

Lo Skimmer è stato progettato per aspirare e ritenere le impurità sospese nell'acqua della piscina. Una volta effettuato un trattamento iniziale di filtrazione (sino ad ottenere un'acqua pulita), **si dovrà ripetere una volta al giorno il ricircolo di tutta l'acqua occupante il volume della piscina**.

La cartuccia del filtro, interna allo skimmer, è l'elemento che pulisce l'acqua filtrandola (N° 4). È composta da una tela di maglia finissima che ritiene la sporcizia.

La frequenza della pulizia della cartuccia filtrante (N° 4) dipende dalla sporcizia presente, dai cicli di filtrazione impiegati e dalla capacità volumetrica della piscina. Qualora si osservino diminuzioni nella quantità d'acqua di ritorno, si procederà alla pulizia della cartuccia filtrante od alla sua sostituzione con una nuova.

Per definire quali sono le necessità di filtrazione della Sua piscina faccia riferimento al rapporto tra volume d'acqua (espresso in m³) e la capacità di trattamento dell'apparecchiatura (espressa m³/h).

Bisogna lasciare almeno 2 ore di riposo al motore, tra intervalli di funzionamento.

$$\frac{\text{Volume piscina in m}^3}{\text{Portata filtro in m}^3/\text{h}} = \text{ore necessarie}$$

Nel trattamento iniziale di filtraggio si devono rispettare i periodi di riposo indicati. Si consiglia di aumentare il tempo di filtraggio quanto maggiore sia la temperatura dell'acqua della sua piscina.

IL PRODOTTO CHIMICO NON DEVE ESSERE INSERITO NEL CESTO O LA CARTUCCIA, IN NESSUN CASO, GIACCHÉ CIÒ POTREBBE CAUSARE DANNI AI MATERIALI DELL'APPARECCHIO E NE LIMITEREBBE L'EFFICACIA.

NON BISOGNA UTILIZZARE FLOCCULANTE!

5. FUNZIONAMENTO

La cartuccia del filtro, interna allo skimmer, è l'elemento che pulisce l'acqua filtrandola. È composta da una tela di maglia finissima che ritiene la sporcizia.

Pertanto, la cartuccia deve essere pulita, più o meno frequentemente, a seconda dei periodi di utilizzo del filtro, dell'ambiente circostante, della presenza di alberi, polline od insetti, nonché della frequenza dei bagni.

Qualora si osservino diminuzioni nella quantità d'acqua di ritorno, si procederà alla pulizia della cartuccia filtrante (vedere paragrafo 6.1. Pulizia della cartuccia).

Per mantenere l'acqua in buone condizioni si devono, inoltre, utilizzare i prodotti chimici consigliati dal fabbricante (cloro, prodotti antialga, etc.).

La vita utile dello skimmer aumenta se questo viene utilizzato per periodi di funzionamento continuato non superiori alle 4 h. Per definire quali sono le necessità di filtrazione della Sua piscina faccia riferimento al rapporto tra volume d'acqua espresso in m³ e la capacità di trattamento dell'apparecchiatura equivalente a 3,8 m³/h.

Faccia riposare il motore per almeno due ore tra un periodo di funzionamento e l'altro.

6. MANUTENZIONE:

6.1. PULIZIA DELLA CARTUCCIA

Interrompere l'alimentazione elettrica staccando l'apparecchiatura dalla presa di corrente.

Aprire la chiusura superiore ed estrarre il cestello.

Svitare la cartuccia dalla propria sede, estrarla dall'interno dello skimmer (Figura 7).

Lavare la cartuccia con acqua corrente a bassa pressione utilizzando una tuba da giardino, sino a verificarne la completa pulizia (Figura 6).

Introdurre nuovamente la cartuccia nello skimmer, con l'estremità filettata rivolta verso il basso, ed avvitare nella propria sede.

Collocare il cestello di prefiltrazione e la chiusura superiore dello skimmer.

6.2. PULIZIA DEL FONDO DELLA PISCINA

Per pulire il fondo della piscina può utilizzare lo Skimmer Pensile, con o Aspirafango "Triangular" + adattatore per aspirazione / AR-2062.

Per l'acquisto dei citati accessori si informi presso il Suo rivenditore di fiducia o presso l'assistenza clienti del fabbricante della piscina. Utilizzi sempre ricambi originali.

Consideri che un tubo d'aspirazione di lunghezza eccessiva rende estremamente difficoltose le operazioni di pulizia. Determini, pertanto, la lunghezza necessaria alla copertura di tutti i punti della piscina, tagliando la parte di tubo in eccesso. Controlli che non vi siano perdite di ermeticità alle estremità.

6.2.1. COLLEGAMENTO DELL'ASPIRAFANGO

Interrompa l'alimentazione elettrica staccando l'apparecchiatura dalla presa di corrente.

Senza estrarre il cestello, posizionare l'adattatore per l'aspirazione all'interno dello skimmer con la presa d'innescò rivolta verso l'alto.

Riempire d'acqua il tubo d'aspirazione.

DAL LATO INTERNO DELLA PISCINA passare l'estremità del tubo d'aspirazione attraverso la paratia dello skimmer, ed evitando l'entrata d'aria, collegarlo alla presa d'innescò dell'adattatore, mantenendo quest'ultima in posizione obliqua per agevolare la giunzione.

Dopodiché, disporla orizzontalmente, spingendo il tubo affinché si alloggi adeguatamente nello skimmer. ATTENZIONE A NON DANNEGGIARE LA PARATIA DELLO SKIMMER DURANTE QUESTA OPERAZIONE.

L'ACQUA DELLO SKIMMER DEVE ESSERE AL LIVELLO MASSIMO E SUPERARE IL PUNTO D' UNIONE TRA LA PRESA D'INNESCO ED IL TUBO D'ASPIRAZIONE PER EVITARE L'ENTRATA D' ARIA.

Mettere in moto lo Skimmer Pensile e procedere alla pulizia del fondo della piscina.

6.2.2. RIEMPIIMENTO DEL TUBO D'ASPIRAZIONE:

Introdurre all'interno della piscina - procedendo lentamente ed in verticale - l'aspirafango, l'asta di supporto ed il tubo d'aspirazione, in modo tale da permettere al tubo di riempirsi d'acqua mantenendo la parte non utilizzata fuori dalla piscina.

Introduca il tubo lentamente, di 50 in 50 cm. Le parti introdotte nella piscina devono rimanere sommerse mano a mano che si vadano riempiendo d'acqua, proseguire così sino alla fine. Al termine dell'operazione tutto il tubo deve essere completamente pieno d'acqua e rimanere sommerso.

Se il tubo non si è riempito d'acqua, l'aspirazione non si realizzerà correttamente e si potrà, incluso, incorrere in danni all'impianto di depurazione facendolo operare a vuoto.

7. COMPONENTI ELETTRICI

Per garantire la sicurezza elettrica, l'apparecchio è dotato di un gruppo elettrico protetto contro l'entrata di acqua, e in caso di deterioramento del cavo o di uno dei suoi componenti si renderà necessario cambiare tutto il gruppo elettrico.

Non bisogna in alcun caso manipolare alcun componente del suddetto gruppo elettrico, giacché in questo caso si annullerebbe la sicurezza del apparecchio.

SOSTITUZIONE DEL GRUPPO ELETTRICO

In caso di deterioramento del cavo o di uno dei componenti del gruppo elettrico, si renderà necessario procedere nella forma descritta a seguito.

- Sconnettere l'apparecchio dalla presa della corrente.
- Svitare le tre viti del coperchio inferiore ed estrarre il coperchio inferiore.
- Svitare le tre viti che sostengono il motore ed estrarre il gruppo elettrico / motore.
- Inserire il nuovo gruppo elettrico / motore avvitando le tre viti al corpo dello skimmer e rimettere il coperchio inferiore avvitato con le tre viti corrispondenti.

8. PERIODO INVERNALE - MANUTENZIONE IN FASE DI INUTILIZZAZIONE

Per garantire una buona conservazione dell'apparecchio durante il periodo invernale, o quando rimanga inutilizzato durante lunghi periodi di tempo, si dovrà agire come segue:

svuotare la piscina, sospendendo l'operazione quando si sia raggiunta la distanza di 4 cm dal bordo inferiore della struttura di supporto (N°9 Figura 3) dello skimmer.

Applicare la guarnizione circolare (Figura 2) sul coperchio di chiusura invernale (N°14 Figura 2) ed avvitare, dal lato interno della piscina, alla bocchetta d'immissione con l'aiuto di una chiave utensile (N°13 Figura 2). Smontare la cartuccia, asciugarla e conservarla in luogo adatto.

Si raccomanda approfittare dell'occasione per verificare visivamente lo stato dei cavi e degli ulteriori componenti elettrici per procedere, se necessario, alla loro sostituzione. Si raccomanda seguire le istruzioni riportate nel paragrafo COMPONENTI ELETTRICI.

PROBLEMA	CAUSA	SOLUZIONE
Lo Skimmer Pensile non filtra, ma l'acqua affluisce alla piscina	La cartuccia non é correttamente posizionata	Posizionarla correttamente ed avvitare
	La cartuccia si é deteriorata con l'uso	Sostituirla con una nuova
Il filtro non permette che l'acqua affluisca alla bocchetta d' immissione	Il filtro é sporco a causa dell'uso	Pulire la cartuccia come indicato al paragrafo 6.1. pulizia della cartuccia
	Avaria nel collegamento elettrico	Verificare il collegamento
		Verificare il cavo del filtro

Se non può risolvere il problema, contatti il fabbricante della piscina ai numeri di telefono e negli orari che Le sono stati indicati.

9. INFORMAZIONI AMBIENTALI Trattamento di apparecchi elettrici ed elettronici al termine della loro vita utile (Solo applicabile nella U.E.)



Allo scopo di ridurre la quantità di residui di apparati elettrici ed elettronici, la pericolosità dei componenti, promuovere il riutilizzo degli apparecchi, la valutazione dei loro residui e determinare una gestione adeguata cercando di migliorare l'efficacia della protezione ambientale, si stabiliscono una serie di norme applicabili alla fabbricazione del prodotto ed altre relative alla corretta gestione ambientale quando si trasformano in residui.

Allo stesso modo, si cerca di migliorare il comportamento ambientale di tutti gli agenti che intervengono nel ciclo vitale degli apparecchi elettrici ed elettronici, come i produttori, i distributori, i consumatori e, in particolare, il comportamento di quegli agenti direttamente implicati nella gestione dei residui derivati da questi apparecchi.

A partire dal 13 agosto del 2005, quando vorrà disfarsi di questo apparecchio, avrà due possibili sistemi di rottamazione a sua disposizione:

- se acquista un apparecchio nuovo che sia di tipo equivalente o che svolga le stesse funzioni di quello da rottamare, potrà consegnarlo direttamente al distributore, senza alcun costo, al momento dell'acquisto;
- potrà portarlo nel luogo appositamente destinato dai vari enti locali.

Noi ci faremo carico dei costi di gestione.

Gli apparecchi sono etichettati con il simbolo di un "contenitore della spazzatura, sbarrato", questo simbolo indica la necessaria raccolta selettiva e differenziata dal resto della spazzatura urbana.

I nostri prodotti sono progettati e fabbricati con materiali e componenti di elevata qualità, che rispettano l'ambiente, che possono essere riutilizzati e riciclati. Pur in questo caso, le varie parti che compongono questo prodotto non sono biodegradabili, per cui non devono essere abbandonate nell'ambiente. Per il riciclaggio corretto di questo prodotto, stacchi il motore dal resto dell'apparecchio di filtrazione

CERTIFICATO DI GARANZIA

1. ASPETTI GENERALI

- 1.1. Ai sensi di queste disposizioni, il venditore garantisce che il prodotto **GRE** corrispondente a questa garanzia ("il Prodotto") non presenta alcun difetto di conformità al momento della consegna.
- 1.2. Il Periodo di Garanzia per il Prodotto è di due (2) anni a decorrere dal momento della sua consegna all'acquirente.
- 1.3. Nel caso in cui si venisse a produrre un difetto di conformità del Prodotto e l'acquirente lo notificasse al venditore nel corso del Periodo di Garanzia, il venditore dovrà riparare o sostituire il Prodotto a sue spese nel luogo che consideri opportuno, salvo il caso che ciò sia impossibile o sproporzionato.
- 1.4. Qualora non sia possibile riparare o sostituire il Prodotto, l'acquirente potrà sollecitare una riduzione proporzionale del prezzo o, nel caso in cui il difetto di conformità sia sufficientemente importante, lo scioglimento del contratto di vendita.
- 1.5. Le parti sostituite o riparate in virtù di questa garanzia non allargheranno il termine di scadenza della garanzia del Prodotto originale, sebbene disporranno della loro propria garanzia.
- 1.6. Affinché la presente garanzia possa essere effettiva, l'acquirente dovrà attestare la data d'acquisto e di consegna del Prodotto.
- 1.7. Una volta trascorsi più di sei mesi dalla consegna del Prodotto all'acquirente e questi avverta un difetto di conformità del medesimo, l'acquirente dovrà attestare l'origine e l'esistenza del difetto in questione.
- 1.8. Il presente Certificato di Garanzia non limita o pregiudica i diritti che corrispondano ai consumatori in virtù delle norme nazionali di carattere imperativo.

2. CONDIZIONI PARTICOLARI

- 2.1. La presente garanzia copre i prodotti ai quali si riferisce questo manuale.
- 2.2. Il presente Certificato di Garanzia è applicabile unicamente nei paesi dell'Unione Europea.
- 2.3. Affinché questa garanzia sia efficace, l'acquirente dovrà seguire in maniera rigorosa le indicazioni del fabbricante riportate nella documentazione fornita insieme al Prodotto, quando questa risulti applicabile secondo la gamma e il modello del Prodotto.
- 2.4. Nei casi in cui venga specificato un calendario per la sostituzione, la manutenzione o la pulizia di certi pezzi o componenti del Prodotto, la garanzia sarà valida solo se detto calendario sarà stato rispettato in maniera corretta.

3. LIMITAZIONI

- 3.1. La presente garanzia potrà essere applicata solo nei casi di vendite realizzate a consumatori, laddove per "consumatori" s'intendono le persone che acquistano il Prodotto per scopi che non rientrano nell'ambito della loro attività professionale.
- 3.2. Non viene concessa alcuna garanzia nei riguardi del normale consumo per uso del prodotto. In relazione ai pezzi, ai componenti e/o ai materiali fungibili o consumabili quali pile, lampadine, ecc., sarà valido quanto disposto nella documentazione fornita con il Prodotto, ove sussista.
- 3.3. La garanzia non copre i casi in cui il Prodotto: (I) sia stato oggetto di un uso non corretto; (II) sia stato riparato, sottoposto a manutenzione o manipolato da persone non autorizzate o (III) sia stato riparato o sottoposto a manutenzione con pezzi non originali.
- 3.4. Nel caso in cui il difetto di conformità del Prodotto sia conseguenza di una installazione o una messa in marcia non corrette, la presente garanzia sarà valida solo nel caso in cui l'installazione o la messa in marcia di cui sopra sia compresa nel contratto di compravendita del Prodotto e sia stata realizzata dal venditore o sotto la sua responsabilità.

BELANGRIJK: De handleiding met instructies die voor U ligt bevat fundamentele informatie omtrent de veiligheidsmaatregelen die in acht moeten worden genomen bij het installeren en de in werking stelling van dit produkt. Daarom is het absoluut noodzakelijk dat zowel de installateur als de gebruiker de instructies aandachtig lezen alvorens tot de montage en in werking stelling over te gaan.

Aangeraden wordt om deze handleiding zorgvuldig te bewaren voor eventuele verdere raadpleging betreffende de werking van dit apparaat.

Voor een optimaal rendement van de Hangend Skimmer dient bijgesloten gebruiksaanwijzing aandachtig te worden doorgelezen.

DE VEILIGHEIDSAANWIJZINGEN AANDACHTIG DOORNEMEN

- Voor alles wat de elektrische installatie betreft moet de norm
 - NF C15-100
 gevolgd worden die betrekking heeft op “de aanleg van elektrische installaties, zowel voor overdekte zwembaden als voor openlucht zwembaden”, of de desbetreffende norm van ieder land of regio.
- “Voor alle filters moet de installatienorm C15-100 gevolgd worden die duidelijk specificeert dat ieder willekeurig elektrisch apparaat dat zich op minder dan 3,5 m afstand van het zwembad bevindt en waar het publiek vrij toegang toe heeft, op een laag voltage van 12V werkt. Elk apparaat dat werkt op een voltage van 220V moet op zijn minst op een afstand van 3,5 m van de rand van het zwembad geplaatst worden. Voor het veranderen van een of meerdere elementen van het filterstelsel moet toestemming aan de fabrikant gevraagd worden”
- De elektrische installatie moet aangelegd worden door vakmensen, gespecialiseerd in elektrische installaties
- Het apparaat mag niet in werking zijn wanneer het zwembad in gebruik is.
- Het apparaat niet laten werken zonder water
- **NOOIT** met een nat lichaam of natte handen het werkende filter aanraken.
- Bij het manipuleren van het apparaat altijd van de stroomtoevoer **AFSLUITEN**
- **Alvorens enig elektrisch toestel aan te raken eerst controleren of de grond droog is.**
- Het apparaat nooit plaatsen waar het nat kan worden, dit kan electrocutie veroorzaken.
- **Verbied kinderen en volwassenen om op het apparaat te gaan zitten of er tegen aan te leunen.**
- **Het apparaat nooit meer dan 4 uur achter elkaar gebruiken**
- **Als het buigbare snoer van dit apparaat beschadigd is, moet het vervangen worden. Lees hier toe aandachtig de instructies ter vervanging van het snoer. Bij eventuele twijfel de technische dienst raadplegen.**

1. DE INHOUD VAN DE DOOS CONTROLEREN:

Het apparaat dat u zjujst heeft aangeschaft is speciaal ontworpen voor hooggelegen zwembaden, heeft een innovatieve vormgeving en is zeer functioneel.

In de doos zult u de onderdelen aantreffen die op bladzijde 30 zijn vermeld.

2. ALGEMENE BIJZONDERHEDEN:

Deze Skimmer is ontworpen om te gebruiken in een zoetwater zwembad. Het gaat om een elektrisch apparaat, klasse I, dat volledig aan de veiligheidsgraad IPX8 voldoet (bestend tegen binnentreden van stof, harde delen en vocht).

AANSLUITEN VAN HET APPARAAT

De transformator aansluiten aan 230V 50 Hz wisselstroom welke beschikt over een meerpole schakelaar, om het apparaat uit te kunnen schakelen wanneer het niet wordt gebruikt en met een 30mA beveiliging tegen stroomschokken.

De fabrikant is niet verantwoordelijk voor de montage, installatie of aansluiting van welke manipulatie of incorporatie van elektrische onderdelen dan ook, die niet volbracht zijn in zijn bedrijf.

3. INSTALLATIE

De installatie van dit bloc is zo eenvoudig dat **EEN ENKELE VOLWASSENE** daarvoor ongeveer **EEN UUR** nodig heeft. Daarbij moet er altijd op gelet worden dat de instructies van de voorliggende handleiding strikt opgevolgd worden

Om de onderdelen op juiste wijze te hanteren en correct te installeren heeft u de volgende gereedschappen nodig:

Doel	Gereedschap	Alternatief gereedschap
Schroeven aandraaien	Phillips schroevendraaier	Steekschroevendraaier 7 mm
Voering afsnijden	Cutter	Mes

VOOR DE INSTALLERING

Voordat u tot de installering van de Skimmer bij het zwembad overgaat, dient het zwembad zo te worden geplaatst dat de matris om de Skimmer aan te sluiten tegen de overheersende windrichting ingaat (zie fig. 2), zodat de wind meehelpt het vuil dat in het zwembad drijft naar de skimmeringang te voeren.

Volg de montage-aanwijzingen van de panelen en het zeildoek van het zwembad strikt op.

De ranselskimmer moet aan de buiten- en bovenkant van de zwembadwand worden geïnstalleerd.

Deze heeft als doel het oppervlaktewater op te vangen, en dit water in de voorfiltertank van de grofste verontreiniging te ontdoen om het vervolgens in het filterpatroon van de fijnere verontreiniging te subieren.

IN GEEN GEVAL CHEMISCHE MIDDELEN IN DE TANK OF DOOR HET FILTER TOEVOEGEN. DAT IS SCHADELIJK VOOR DE MATERIALEN EN TAST DE DOELMATIGHEID VAN HET APPARAAT AAN.

4. MONTAGE:

Onderin het Skimmerhuis, waarin zich ook het filterelement of filterpatroon zich bevindt, bevindt zich de motor en de turbine die voor de doorstroom moeten zorgen van het water dat aan de bovenkant door de skimmeringang wordt opgevangen en dat na het filteren door de onderste nippel weer wordt teruggevoerd.

4.1. BEVESTIGING VAN DE RANSELSKIMMER

4.1.1. BEVESTIGING VAN HET TERUGVOERMONDSTUK VAN DE ZAKSKIMMER (Fig.2)

Hierdoor wordt het gefilterde water weer in het zwembad teruggepompt, waardoor de filtercyclus wordt gesloten.

Begin het zwembad met water te vullen, en stop wanneer het water ongeveer 4 cm onder de benedenrand van de opening van de terugvoerklep staat.

Merk de opening met een merkpunten en maak een kruisnede in het midden van de opening met behulp van een cutter (MES), **zonder het voorgestane gat te raken**.

Breng de wrijvingsring en één van de naden (Fig. 2) aan in het terugvoermondstuk.

Steek het terugvoermondstuk met de wrijvingsring en de naad naar binnen via de snede, vanuit de kant van het zwembad.

Eventuele delen van de voering die aan de buitenzijde van het zwembad **naar buiten steken moeten nauwkeurig en netjes worden afgesneden**.

4.1.2. BEVESTIGING VAN DE ROMP VAN DE ZAKSKIMMER

Snijdt de voering met een cutter (of mes) af volgens het uitgestante kader (**zorg ervoor dat de voering hierbij niet opgespannen is**).

Breng de dubbele naad van de Skimmer aan, **die de dekplaat en de voering omvat** (N° 7 Fig. 3).

Bevestig de deur in de skimmer (Fig.5) en maak de skimmer aan het zwembad vast door de twee korte schroeven (N° 8 Fig. 3) vanaf de kant van het zwembad aan te draaien. Deze moeten door de voering, de dubbele naad en de dekplaat van het zwembad heen gestoken worden en tenslotte in de gaten van de skimmer vastgezet worden (Fig 3).

4.1.3. BEVESTIGING VAN HET TERUGVOERMONDSTUK

Breng de andere naad (Fig. 2) van buitenaf in het uitstekende en van schroefdraad voorziene deel van het terugvoermondstuk in.

Schroef het terugvoermondstuk stevig tegen de romp van de zakskimmer aan met behulp van de sleutel (N° 13 Fig. 2).

4.1.4. BEVESTIGING VAN HET RAAMWERK VAN DE ZAKSKIMMER

Plaats het raamwerk vanaf de kant van het zwembad op de naad van de zakskimmer (N° 9 Fig. 3) zonder het sierdeksel van het raamwerk, plaats de 10 lange schroeven (N° 8 Fig. 3) in het raamwerk zodat ze door de voering steken en draai ze licht aan om te controleren dat ze goed passen. Draai de schroeven aanvankelijk niet stevig aan, maar loop ze één voor één af in de aangegeven volgorde (Fig. 4) totdat ze stevig vastzitten.

4.1.5. LAATSTE DETAILS

Plaats het sierdeksel (N° 9 Fig. 3), en let er daarbij op dat de niveau-indicatoren op de juiste positie zitten.

Breng het filterpatroon aan met de van schroefdraad voorziene zijde naar onderen, en schroef deze op zijn plaats.

Plaats de voorfilterkorf aan de bovenzijde in de zakskimmer en plaats tenslotte het deksel van de zakskimmer en zet deze met een draai vast.

Vul het zwembad nu geheel, totdat het water een niveau tussen de merktekens van het minimale en maximale niveau op de opening van de zakskimmer heeft bereikt.

Plaats het deksel met de zuigopening niet. Gebruik dit alleen wanneer men de bodemreiniger toepast.

4.2. ELEKTRISCHE AANSLUITING

Plaats de transformator op een minimale afstand van 3,5 m van de rand van het zwembad (Fig. 1). Sluit de transformator aan op een stroombron met wisselspanning van 230 V en 50Hz, met aardaansluiting. Het is noodzakelijk om een dubbele stroomonderbreker toe te passen om het filter uit te schakelen wanneer men het niet gebruikt in een aardlekschakelaar met een differentiaal van 30 mA toe te passen om kortsluiting te voorkomen. (Niet bijgeleverd. Verkrijgbaar in elektriciteitswinkels).

Controleer dat de motor correct functioneert door de hand voor het terugvoermondstuk te plaatsen en vast te stellen dat er water uitkomt.

FILTRATIE:

De Skimmer is ontworpen om het vuil dat in het water van het zwembad zweeft op te zuigen en vast te houden. Nadat men het water een eerste maal heeft gefilterd (totdat het water van het zwembad schoon is), **moet men het gehele watervolume van het zwembad éénmaal per dag filteren**.

De reiniging van het water wordt uitgevoerd door het filterpatroon (N° 4) dat zich binnen in de Skimmer bevindt. Het bestaat uit een doek met een zeer fijne maas die het vuil vasthoudt.

Afhankelijk van de vervuilingsgraad, de filteruren en het volume van het zwembad, moet het filterpatroon (N° 4) vaker of minder vaak gereinigd worden. Wanneer men merkt dat de hoeveelheid water die in het zwembad teruggepompt wordt afneemt, moet het filterpatroon gereinigd worden of, indien nodig, vervangen worden door een nieuw patroon.

Uw filterbehoefte worden bepaald door het volume water van uw zwembad, in m³, in verhouding tot de flux, in m³/h, van het apparaat.

De motor moet tenminste 2 uur rusten tussen de doorspoelingsperiodes.

$$\frac{\text{Inhoud van het zwembad in m}^3}{\text{spoelcapaciteit filter in m}^3 / \text{uur}} = \text{noodzakelijke uren}$$

Vooraf in het begin van het gebruik van de filterinstallatie moeten de aangewezen rusturen gerespecteerd worden. Aanbevolen wordt de spoelingsduur te verlengen al naar gelang de temperatuur van het water in het zwembad hoger is of wordt.

HET CHEMISCHE PRODUKT MAG ONDER GEEN ENKELE VOORWAARDE IN HET MANDJE , VIA DE ZUIGERS OF DE KOKER TOEGEVOEGD WORDEN, AANGEZIEN DIT DE MATERIALEN WAARUIT HET APPARAAT GEMAAKT IS, ZOU AANTASTEN EN DE WERKZAAMHEID ERVAN ZOU BEGRENZEN.

GEEN ANTIVLOKMITTELEN GEBRUIKEN !

5. WERKING

De reiniging van het water wordt uitgevoerd door het filterpatroon dat zich binnen in de zakskimmer bevindt. Het bestaat uit een doek met een zeer fijne maas die het vuil vasthoudt.

De verontreinigingsgraad van het water van het zwembad hangt af van factoren als het jaargetijde, de omgeving, bomen, pollen, insecten en de hoeveelheid zwemmers, waardoor het filter vaker of minder vaak gereinigd moet worden.

Wanneer men merkt dat de hoeveelheid water die in het zwembad teruggepompt wordt afneemt, moet het filterpatroon gereinigd worden. (Zie onderdeel 6.1. Reiniging van het filterpatroon).

Om het water van het zwembad in een goede conditie te houden moet men bovendien de chemische producten die de fabrikant aanbeveelt toepassen (chloor, algendoder, enz.).

De levensduur van het zakfilter wordt verlengd wanneer men het niet langer dan 4 uur achter elkaar gebruikt. Uw dagelijkse filterbehoefte worden bepaald door het volume water van uw zwembad, in m³, in verhouding tot de flux van 3,8 m³/h van de zakskimmer.

Laat de motor in ieder geval 2 uur uitstaan tussen elke filterperiode.

6. ONDERHOUD:

6.1. REINIGING VAN HET FILTERPATROON

Verbreek de verbinding tussen het apparaat en de netvoeding.
Verwijder het deksel en de filterkorf.

Schroef het filterpatroon los, verwijder het uit de houder en verwijder het uit de zakskimmer (Fig. 7).

Houdt het filterpatroon onder een waterstraal van een tuinslang onder lage druk totdat het filterpatroon er schoon uitziet (Fig. 6).

Brengt het filterpatroon op zijn plaats met de schroefzijde naar onderen en draai het vast in zijn houder.

Breng de voorfilterkorf en het deksel van de zakskimmer weer aan.

6.2. REINIGING VAN DE BODEM VAN HET ZWEMBAD

Om de bodem van het zwembad te reinigen kan men de zakskimmer ook gebruiken, indien men één van de volgende toepast: of de Bodemreiniger "Driehoekig" + adaptatiedeksel / **AR-2062**.

Raadpleeg uw specialzaak of de afdeling Service na Aankoop van de fabrikant van het zwembad om deze zaken aan te schaffen.

Gebruik uitsluitend originele onderdelen.

Het is lastig als de slang langer is dan nodig om alle hoeken van het zwembad te bereiken.

Snijdt het overschietende deel van de slang af. Let erop dat de uiteinden van de slang waterdicht aangesloten zijn.

6.2.1. AANSLUITING VAN DE BODEMREINIGER

Verbreek de verbinding tussen het apparaat en de netvoeding.

Plaats de deksel met de zuiginlaat in de Skimmer, met de zuigopening naar boven, zonder de korf te verwijderen.

Laat de slang vieren.

Voer het uiteinde van de slang vanuit DE BINNENZIJDE VAN HET ZWEMBAD door de klep van de Skimmer en let erop dat er geen lucht in komt. Verbind haar vervolgens met het deksel van de zuiginlaat en houd haar zijdelings vast om de bevestiging te vergemakkelijken.

Zet haar vervolgens horizontaal vast door de slang verder naar binnen te voeren. **LET OP: BESCHADIG DE KLEP VAN DE SKIMMER NIET BIJ DEZE HANDELING.**

HET WATERNIVEAU VAN DE SKIMMER MOET MAXIMAAL ZIJN EN HOGER ZIJN DAN DE NAAD TUSSEN HET DEKSEL EN DE SLANG, ZODAT ER GEEN LUCHT IN KAN KOMEN.

Zet de zakskimmer aan en reinig de bodem van het zwembad.

6.2.2. HET VIEREN VAN DE SLANG VAN DE BODEMREINIGER:

Laat de bodemreiniger geleidelijk verticaal in het zwembad zakken terwijl de boom en de slang erop aangesloten zijn, zodat deze zich met water kan vullen terwijl de rest van de slang buiten het water blijft.

Laat de rest van de slang langzaam in het water zakken met stukken van 50 cm tegelijk. De slang moet zinken terwijl zij zich geheel met water vult, en uiteindelijk moet de hele slang met water gevuld zijn en gezonken zijn.

Als de slang niet geheel gevuld is, zal de bodemreiniger niet zuigen en kan de reinigingsinstallatie beschadigd raken doordat zij in vacuüm werkt.

7. ELEKTRISCHE COMPONENTEN

Teneinde de elektrische veiligheid te garanderen is het bloc uitgerust met een elektrisch ensemble dat tegen het binnenkomen van water beschermd is. In geval het snoer of een van de andere componenten beschadigd zou raken, moet het hele elektrische ensemble vervangen worden.

Onder geen enkele voorwaarde mag er één deel alleen van deze componenten gemanipuleerd of vervangen worden, aangezien dit de veiligheid van het hele ensemble teniet zou doen.

VERVANGEN VAN HET ELEKTRISCHE BLOC

In geval het snoer of een van de andere componenten beschadigd zou raken, als volgt te werk gaan :

• Het apparaat van de stroomtoevoer afsluiten

• Draai de 3 schroeven van het onderdeksel los en verwijder het onderdeksel.

• Draai de 3 schroeven waarmee de motor vastzit los en verwijder de motor met elektrische installatie.

• Plaats de motor met elektrische installatie weer terug op zijn plek door de 3 schroeven vast te draaien in het lichaam van de skimmer en bevestig het onderdeksel door de 3 corresponderende schroeven vast te draaien.

8. WINTERSEIZOEN – ONDERHOUD BUITEN GEBRUIK

Om ervoor te zorgen dat de apparatuur goed blijft in het winterseizoen, of wanneer men er gedurende langere tijd geen gebruik van maakt, moet men als volgt tewerk gaan:

Laat het zwembad leeglopen tot op 4 cm onder de onderste rand van het raamwerk (N°9 Fig. 3) van de zakskimmer.

Plaats de torusnaad (Fig. 2) in de hibernatiestop (N°14 Fig. 2) en schroef deze op het terugvoermondstuk vanuit de binnenzijde van het zwembad, met behulp van de sleutel (N°13 Fig. 2). Verwijder het patroon, droog het en bewaar het.

Het verdient aanbeveling om van deze gelegenheid gebruik te maken om de toestand van de kabel en de overige elektrische onderdelen visueel te inspecteren en deze indien nodig te vervangen. Ga hiertoe te werk zoals beschreven in het hoofdstuk ELEKTRISCHE ONDERDELEN.

PROBLEEM	OORZAAK	OPLOSSING
De zakskimmer filtert niet, maar pompt wel water in het zwembad	Het filterpatroon is onjuist geplaatst	Plaats het correct en schroef het vast
	Het filterpatroon is versleten	Vervang het door een nieuw filterpatroon
Het filter pompt geen water uit het terugvoermondstuk	Het filter verontreinigd door het gebruik	Reinig het filterpatroon, zoals beschreven in het onderdeel 6.1. reiniging van het filterpatroon
	De elektrische aansluiting is niet goed	Controleer de aansluiting Controleer de kabel van het filter

Indien u het probleem niet kunt verhelpen, neem dan contact op met de fabrikant van het zwembad op het telefoonnummer dat is aangegeven in de handleiding en tijdens de aangegeven kantooruren.

9. INFORMATIE VOOR HET MILIEU Correct verwerken van elektrische en elektronische apparatuur na de gebruiksperiode (Alleen van toepassing voor de E.U.)



Teneinde het afval afkomstig van elektrische en elektronische apparaten en de schadelijke effecten van de diverse onderdelen te verminderen, het hergebruik van apparaten en de evaluatie van de effecten van het afval te bevorderen, en een gepast beheer en de bescherming van het milieu te bevorderen, zijn een aantal regels vastgesteld aangaande de fabricage van dit product alsmede de correcte milieubewuste verwerking van het apparaat wanneer het eenmaal wordt afgevoerd. Bovendien is het de bedoeling de milieubewuste verwerking door alle agenten die bij de gebruikscyclus van de elektrische en elektronische apparaten betrokken zijn te verbeteren, zoals bijvoorbeeld leveranciers, distributeurs, gebruikers, en in het bijzonder de agenten die direct betrokken zijn bij de verwerking van het afval afkomstig van deze apparaten.

Met ingang van 13 augustus 2005 kunt u uit twee mogelijkheden kiezen wanneer u dit apparaat wilt weggoien:

- wanneer u een nieuw exemplaar aanschaft van een vergelijkbaar type of dat dezelfde functies verricht als het weg te gooien exemplaar, kunt u het oude exemplaar zonder kosten bij de distributeur inleveren bij de aankoop van het nieuwe
- of u kunt het naar de afvalverwerking brengen volgens de voorschriften van de lokale overheid.

Wij zullen de kosten van deze handelingen op ons nemen.

De apparaten zijn voorzien van een etiket met het symbool van "een doorgestreepte afvalcontainer met wielen"; dit symbool geeft aan dat het apparaat niet met het gewone afval gemengd en apart verwerkt moet worden.

Onze producten zijn ontworpen en gefabriceerd op basis van materialen en onderdelen van hoge kwaliteit die het milieu ontzien en die hergebruikt en gerecycled kunnen worden. Desondanks zijn de diverse onderdelen van dit product niet biologisch afbreekbaar, zodat deze niet in het milieu achtergelaten mogen worden. Om dit product korrekt te recyclen, relieve de elektrische motor van de Filterset los maken

GARANTIECERTIFIKAAT

1.1. ALGEMENE ASPEKTEN

- 1.2. In overeenkomst met de voorliggende bepalingen wordt door de verkoper gegarandeerd dat het product **GRE** verkocht onder deze garantie ("het Product") geen enkel defect vertoont op het moment van levering.
- 1.3. De Garantieperiode voor het Product bedraagt twee (2) jaar en is geldig vanaf het moment dat het Product aan de koper geleverd wordt.
- 1.4. Indien er zich een defect aan het Product zou voordoen en de koper dit zou mededelen aan de verkoper gedurende de geldige Garantieperiode, dan zal de verkoper het Product repareren of laten repareren op zijn eigen kosten alwaar de verkoper dit geschikt zou achten, behalve in het geval dat dit onmogelijk of buitensporig zou zijn.
- 1.5. Indien het Product niet gerepareerd of vervangen kan worden, dan kan de koper na verhouding prijsreductie aanvragen, of, indien het defect belangrijk genoeg is, de ontbinding van het verkoopcontract aanvragen.
- 1.6. Die delen van het Product die onder deze Garantie vervangen of gerepareerd zijn, kunnen de duur van de Garantieperiode voor het oorspronkelijke Product niet verlengen, maar zullen beschikken over een eigen garantie.
- 1.7. Voor de toepassing van deze garantie moet de koper de aankoopdatum en de levering van het Product kunnen aantonen.
- 1.8. Indien er meer dan zes maanden verlopen zijn sinds de levering van het Product aan de koper, en deze plotseling aangeeft dat het Product niet aan de eisen voldoet, dan zal de koper de oorsprong en het bestaan van de volgens hem bestaande defecten moeten kunnen aantonen.
- 1.9. Dit Garantiecertificaat beperkt of veroordeelt niet bij voorbaat de rechten die de gebruikers hebben en die gebaseerd zijn op nationale normen.

2. BIJZONDERE VOORWAARDEN

- 2.1. Deze garantie dekt de producten waarnaar deze handleiding verwijst.
- 2.2. Het huidige Garantiecertificaat is slechts van toepassing in landen van de Europese Unie.
- 2.3. Voor de toepassing van deze garantie en in geval deze garantie van toepassing is al naar gelang de serie en het model van het Product, moet de koper de aanwijzingen van de Fabrikant in de documenten die bij het Product bijgesloten zijn, strikt opvolgen.
- 2.4. Indien er een tijdsperiode vastgesteld wordt voor de vervanging, het onderhoud of het reinigen van verschillende delen of onderdelen van het Product, dan is de garantie alleen geldig in geval deze tijdsperiode strikt aangehouden is.

3. BEPERKINGEN

- 3.1. De huidige garantie is uitsluitend geldig bij verkoop aan gebruikers, waarbij onder "gebruiker" verstaan wordt een persoon die het Product aanschaft met een doel dat niet binnen het gebied van zijn professionele activiteiten valt.
- 3.2. Er bestaat geen garantie in verband met normale slijtage bij gebruik van het Product. Wat betreft de delen, componenten en/of vervangbare of verbruiksmaterialen zoals batterijen, gloeilampen, enz. zal men zich moeten richten naar hetgeen in de documenten staat die het Product vergezellen.
- 3.3. De garantie dekt niet de gevallen waarbij het Product (i) onderhevig is geweest aan ongepast gebruik, (ii) gerepareerd, onderhouden of gemanipuleerd is door een persoon die daarvoor geen toestemming heeft, of (iii) gerepareerd of onderhouden is met niet oorspronkelijke onderdelen.
- 3.4. Indien het defect van het Product het gevolg is van een incorrecte installering of ingebruikneming, dan is deze garantie slechts van toepassing indien de installering of ingebruikneming in kwestie in het contract van koop en verkoop van het product opgenomen is en door de verkoper of onder diens verantwoordelijkheid uitgevoerd is.

IMPORTANTE: O manual de instruções que você tem nas mãos contém informação fundamental sobre as medidas de segurança a tomar ao realizar a instalação e a colocação em funcionamento. Por isso, é imprescindível que tanto o instalador como o utilizador leiam as instruções antes de realizar a montagem e a colocação em funcionamento. Guarde este manual para futuras consultas sobre o funcionamento deste aparelho.

Para conseguir um óptimo rendimento do Skimmer de Mochila, é conveniente observar as instruções que se indicam abaixo:

INDICAÇÕES DE SEGURANÇA, LEIA COM ATENÇÃO

- No que se refere à instalação eléctrica deve-se-á seguir a norma:
NF C15-100
- relativa “à construção de instalações eléctricas, tanto em piscinas cobertas como em piscinas ao ar livre”, ou a norma análoga vigente em cada região ou país.
- “Todas as filtrações seguem a norma de instalação C 15-100 que especifica que qualquer aparelho eléctrico situado a menos de 3,5 m da piscina e com livre acesso deve estar alimentado com muito baixa tensão 12 V. Todo aparelho alimentado com 220 V deve estar situado a, no mínimo, 3,5 m do bordo da piscina. Para qualquer modificação de um ou de vários elementos do sistema de filtração, deve-se pedir a autorização do fabricante”.
 - A instalação eléctrica deve ser realizada por profissionais qualificados em instalações eléctricas.
 - Não deixe o aparelho ligado quando estiver a utilizar a piscina.
 - Não faça o aparelho funcionar sem água.
 - Não toque NUNCA no aparelho em funcionamento com o corpo ou com as mãos húmidas.
 - Quando tiver de manipular o aparelho, DESLIGUE-O da tomada.
 - Assegure-se de que o chão esteja seco, antes de tocar no equipamento eléctrico.
 - Não coloque o aparelho onde ele possa se molhar, pois há o risco de electrocussão.
 - Não permita que crianças ou adultos se apoiem ou sentem no aparelho.
 - Não utilize o aparelho durante mais de 4 horas seguidas.
 - Se o cabo flexível de alimentação deste aparelho estiver danificado, deverá ser substituído. Leia com atenção as instruções para a substituição do cabo. Em caso de dúvida, consulte o Serviço Técnico.

1. VERIFIQUE O CONTEÚDO DA EMBALAGEM:

O equipamento que você acaba de comprar é um aparelho especialmente concebido e desenhado para piscinas elevadas, com um design inovador e uma grande funcionalidade.

Dentro da caixa encontrará os componentes descritos na página 30.

2. CARACTERÍSTICAS GERAIS:

Este Skimmer foi concebido para ser utilizado em piscinas de água doce. Trata-se de um aparelho eléctrico da classe I, que cumpre o grau de protecção IPX8 (resistência à penetração de pó, aos corpos sólidos e à humidade).

LIGAÇÃO DO APARELHO

Ligue o transformador a uma fonte de corrente alterna de 230V 50 Hz que disponha de um interruptor omnipolar, para deixar o aparelho sem tensão quando não estiver a ser utilizado e um diferencial de 30 mA para protecção de descargas.

O fabricante não se responsabiliza em nenhum caso pela montagem, instalação ou colocação em funcionamento, por qualquer manipulação ou incorporação de componentes eléctricos que não tenham sido realizadas nas suas instalações.

3. INSTALAÇÃO:

Pela facilidade de instalação, este equipamento pode ser montado por **UMA PESSOA ADULTA** em um período de tempo de cerca de **1 HORA**, com a devida precaução de seguir em todo momento as instruções descritas neste manual.

Para uma manipulação correcta dos componentes e a sua correcta instalação são necessárias as seguintes ferramentas:

Função	Ferramenta	Ferramenta alternativa
Apertar os parafusos	Chave de parafuso Phillips	Chave de parafuso stecker 7 mm
Recortar o liner	X-acto	Lâmina gilete

ANTES DA INSTALAÇÃO

Antes de instalar o Skimmer na piscina, verifique que este está posicionado a favor dos ventos dominantes (ver fig. 2), para que o vento ajude a levar a sujidade que fica na superfície da piscina até à boca do Skimmer de mochila.

Seguir cuidadosamente as instruções de montagem da chapa e liner da piscina.

O Skimmer de mochila deve ficar na parte exterior e alta da parede da piscina.

A sua função é recolher a água da superfície, retendo no cesto do prefiltro as impurezas de maior tamanho e deixando passar as de menor tamanho para que sejam retidas pelo filtro de cartucho.

NUNCA SE DEVE COLOCAR O PRODUTO QUIMICO NO CESTO OU ATRAVÉS DO FILTRO, ISTO DETEORARÁ OS MATERIAIS DO APARELHO E LIMITARÁ A SUA EFICÁCIA.

4. MONTAGEM

O corpo do Skimmer de mochila é o que aloja o elemento filtrante ou filtro de cartucho. Na sua parte inferior aloja o motor e a turbina encarregados por provocar a circulação de água, a qual é recolhida na parte superior através da boca do Skimmer de mochila e regressa uma vez filtrada pela boca inferior.

4.1. FIXAÇÃO DO SKIMMER DE MOCHILA

4.1.1. PRÉ-FIXAÇÃO DA ABERTURA DE RETORNO DO SKIMMER DE MOCHILA (Fig. 2)

Através da abertura de retorno, a água filtrada entra novamente na piscina fechando assim o ciclo de filtração.

Comece a encher a piscina de água e interrompa o enchimento a uns 4 cm do bordo inferior do orifício da válvula de retorno.

Marque o orifício com um marcador e faça um corte em cruz no centro do orifício com a ajuda de um x-acto (LÂMINA) **sem ultrapassar o orifício do modelo.**

Introduza o anel de fricção e uma das juntas (Fig. 2) na abertura de retorno.
Passe, por dentro da piscina, a abertura de retorno com o anel de fricção e a junta através do corte.
Os pedaços do liner que aparecerem pela parte externa da piscina **deverão ser cortados de uma forma limpa e rente.**

4.1.2. FIXAÇÃO DO CORPO DO SKIMMER DE MOCHILA

Recorte o liner com um x-acto (lâmina) seguindo o marco do modelo (**nesse momento, não deve haver tensão no liner**).
Instale a junta dupla do Skimmer, **abraçando a chapa e o liner** (Nº 7 Fig. 3).
Coloque a comporta no skimmer (Fig. 5) e pré-fixe o skimmer à piscina aparafusando os 2 parafusos curtos (Nº 8 Fig. 3) pela parte interna da piscina. Os parafusos devem atravessar o liner, a junta dupla, a chapa da piscina e chegar até aos orifícios do skimmer (Fig. 3).

4.1.3. FIXAÇÃO DA ABERTURA DE RETORNO

Por fora da piscina, introduza a outra junta (Fig. 2) na parte roscada da abertura de retorno que sobressai.
Enrosque bem a abertura de retorno no corpo do Skimmer de mochila utilizando a chave (Nº 13 Fig. 2).

4.1.4. FIXAÇÃO DO MARCO DO SKIMMER DE MOCHILA

Coloque, por dentro da piscina, o marco do Skimmer de mochila (Nº 9 Fig. 3) sobre a junta, sem a tampa decorativa. Introduza os 10 parafusos compridos (Nº 8 Fig. 3) no marco atravessando o liner e enrosque-os um pouco para verificar se encaixam correctamente. Não aperte os parafusos totalmente desde o início, comece pouco a pouco na ordem indicada (Fig. 4) até apertá-los totalmente.

4.1.5. ÚLTIMOS DETALHES

Coloque a tampa decorativa (Nº 9 Fig. 3), tendo a precaução de situar as marcas de nível na posição adequada.

Introduza o cartucho filtrante com a extremidade roscada para baixo, e enrosque-o no seu alojamento.
Coloque a cesta pré-filtro na parte superior, no interior do Skimmer de mochila e, por último, a tampa do Skimmer rodando-a para encaixá-la no seu alojamento.

Termine de encher a piscina, até que a água atinja um nível entre as duas marcas de máximo e mínimo da boca do Skimmer de mochila.
Não coloque a tampa de aspiração. Use-a somente quando utilizar o acessório de limpeza do fundo da piscina.

4.2. LIGAÇÃO ELÉCTRICA

Coloque o transformador a uma distância mínima de 3,5 m do bordo da piscina (Fig. 1). Ligue o transformador a uma fonte de corrente alternada de 230 V e 50 Hz, com ligação à terra. É imprescindível utilizar um interruptor omnipolar, para deixar o filtro sem tensão quando não estiver a ser usado, e um diferencial de 30 mA para a protecção de descargas. (Não fornecido. Pode ser adquirido em estabelecimentos de materiais eléctricos).

Verifique o funcionamento do motor colocando a mão na frente da abertura de retorno para verificar se sai água.

FILTRAÇÃO:

O Skimmer foi concebido para aspirar e reter as impurezas que se encontram em suspensão na água da piscina. Depois de um tratamento inicial de filtração (até que a água da piscina esteja limpa), **dever-se-á recircular uma vez por dia toda a água da piscina.**

O elemento que realiza a limpeza da água é o cartucho filtrante (Nº 4) existente no interior do Skimmer, o qual se compõe de um tecido com uma malha muito fina que retém a sujidade.

Dependendo da sujidade, das horas de filtração e do volume de água da piscina, o cartucho filtrante (Nº 4) deverá ser limpo com maior ou menor frequência. Quando observar que a quantidade de água que retorna ao interior da piscina diminuir, deverá proceder à limpeza do cartucho filtrante ou, se necessário, substituí-lo por outro novo.

A necessidade de filtração é determinada pelo volume em m³ de água da piscina em relação aos m³/h de caudal do aparelho.
Deixe o motor descansar no mínimo 2 horas entre cada período de funcionamento.

$$\frac{\text{Volume piscina em m}^3}{\text{Caudal filtro em m}^3/\text{h}} = \text{horas necessárias}$$

No tratamento inicial de filtração, devem ser respeitados os períodos de descanso indicados. É recomendável aumentar o tempo de filtração quanto mais elevada for a temperatura da água da piscina.

O PRODUTO QUÍMICO NÃO DEVE SER COLOCADO NUNCA NA CESTA OU ATRAVÉS DAS ESPONJAS OU DO CARTUCHO, JÁ QUE ISSO DETERIORARIA OS MATERIAIS DO APARELHO E LIMITARIA A SUA EFICÁCIA.

NÃO UTILIZAR FLOCULANTE

5. FUNCIONAMENTO

O elemento que realiza a limpeza da água é o cartucho existente no interior do Skimmer de mochila, o qual se compõe de um tecido com uma malha muito fina que retém a sujidade.

Dependendo dos períodos de utilização do filtro, do ambiente, das árvores, do pólen, dos insectos e da frequência de banhos, factores que determinam a sujidade da água da piscina, deverá ser limpo com maior ou menor frequência.

Quando observar que a quantidade de água que retorna ao interior da piscina diminuir, deverá proceder à limpeza do cartucho. (ver ponto 6.1. Limpeza do Cartucho).

Para manter a água da piscina em bom estado, deverá utilizar também os produtos químicos recomendados pelo fabricante (cloro, anti-algas, etc.).

A vida útil do filtro de mochila prolonga-se com períodos de funcionamento contínuo não superiores a 4 h. A necessidade de filtração diária é determinada pelo volume em m³ de água da piscina em relação aos 3,8 m³/h de caudal do Skimmer de mochila.

Deixe o motor descansar no mínimo 2 horas entre cada período de funcionamento.

6. MANUTENÇÃO:

6.1. LIMPEZA DO CARTUCHO

Desligue o aparelho da tomada.

Retire a tampa e a cesta.

Desenrosque o cartucho do seu alojamento e retire-o do interior do Skimmer de mochila (Fig. 7).

Coloque o cartucho debaixo do jacto de água de uma mangueira de jardim a baixa pressão até observar que está limpo (Fig. 6).

Introduza o cartucho novamente com a extremidade roscada para baixo e enrosque no seu alojamento.

Coloque a cesta pré-filtro e a tampa do Skimmer de mochila.

6.2. LIMPEZA DO FUNDO DA PISCINA

Para a limpeza do fundo da piscina, pode utilizar o Skimmer de mochila com um de limpeza "Triangular" + tampa adaptação / **AR-2062**. Consulte o seu estabelecimento ou o Serviço de Pós-venda do fabricante da piscina para a sua aquisição. Utilize sempre reposições originais

Uma mangueira com um comprimento superior ao necessário para chegar a todos os pontos da piscina dificulta a operação. Recorte o pedaço de mangueira que sobrar. Assegure-se de que os terminais de borracha não perdem a estanqueidade.

6.2.1. LIGAÇÃO DO ACESSÓRIO DE LIMPEZA DO FUNDO DA PISCINA

Desligue o aparelho da tomada.

Coloque o acessório tampa aspiração no interior do Skimmer com a tomada voltada para cima, sem retirar a cesta.

Purgue a mangueira.

Passa, desde o INTERIOR DA PISCINA, a extremidade da mangueira pela comporta do Skimmer e, tendo cuidado para que não entre ar nela, ligue-a à tomada da tampa aspiração segurando a tampa obliquamente para facilitar a união.

Seguidamente, coloque-a na posição horizontal introduzindo mais a mangueira. **ATENÇÃO PARA NÃO DANIFICAR A COMPORTA DO SKIMMER NESTA OPERAÇÃO.**

O NÍVEL DE ÁGUA DO SKIMMER DEVE ESTAR NO MÁXIMO E POR CIMA DA UNIÃO ENTRE A TAMPA E A MANGUEIRA, PARA EVITAR A ENTRADA DE AR.

Ligue o Skimmer de mochila e efectue a limpeza do fundo da piscina.

6.2.2. PURGA DA MANGUEIRA DO ACESSÓRIO DE LIMPEZA DO FUNDO:

Introduza, com cuidado, o acessório de limpeza no interior da piscina com a vara e a mangueira ligadas, verticalmente, deixando que ela se encha de água e mantenha o resto da mangueira fora da água. Introduza a mangueira na água devagar, por partes de 50 cm que devem ficar submergidas ao mesmo tempo que se encham completamente de água, até que toda a mangueira fique cheia de água e totalmente submergida.

Se a mangueira não estiver totalmente purgada, o acessório de limpeza não aspirará e poderemos danificar o dreno fazendo-o trabalhar no vazio.

7. COMPONENTES ELÉCTRICOS

Para garantir a segurança eléctrica, o equipamento possui um conjunto eléctrico protegido contra a entrada de água. Em caso de deterioração do cabo ou de um dos seus componentes, deverá substituir todo o conjunto eléctrico.

Os componentes do conjunto eléctrico não devem ser manipulados em nenhuma hipótese, já que isso anularia a segurança do equipamento.

SUBSTITUIÇÃO DO CONJUNTO ELÉCTRICO

Em caso de deterioração do cabo ou de um dos componentes do conjunto eléctrico, proceda da seguinte forma:

- Desligue o aparelho da tomada de corrente.
- Desaparafuse os 3 parafusos da tampa inferior e retire-a.
- Desaparafuse os 3 parafusos que sustentam o motor e retire o conjunto eléctrico/motor.
- Coloque o novo conjunto eléctrico/motor aparafusando os 3 parafusos ao corpo do skimmer e volte a colocar a tampa inferior aparafusando-a com os 3 parafusos correspondentes.

8. PERÍODO DE INVERNO - MANUTENÇÃO FORA DE USO

Para garantir uma boa conservação do equipamento durante o período de Inverno ou no caso de longos períodos fora de uso, realize os seguintes passos:

Esvazie a água da piscina até ao nível de 4 cm por baixo do bordo inferior do marco (Nº9 Fig. 3) do skimmer de mochila.

Introduza a junta tórica (Fig. 2) na tampa de Inverno (Nº14 Fig. 2) e enrosque a tampa na abertura de retorno pelo interior da piscina, utilizando a chave (Nº13 Fig. 2). Desmonte o cartucho, seque-o e guarde-o.

É recomendável aproveitar esta ocasião para verificar visualmente o estado do cabo e dos demais componentes eléctricos, substituindo-os, em caso necessário, da forma descrita no ponto COMPONENTES ELÉCTRICOS.

PROBLEMAS	CAUSA	SOLUÇÃO
O Skimmer de mochila não filtra, porém introduz água na piscina	O cartucho não foi colocado correctamente	Coloque-o correctamente e enrosque-o
	O cartucho está deteriorado pelo uso	Substitua-o por outro novo
O filtro não proporciona caudal à abertura de retorno	O filtro está sujo devido ao uso	Limpe o cartucho como se indica no ponto 6.1. Limpeza do Cartucho
	Ligação eléctrica defeituosa	Verifique a ligação eléctrica Verifique o cabo do filtro

Se não puder solucionar o problema, contacte com o fabricante da piscina no telefone e no horário indicado nas instruções.

9. INFORMAÇÃO AMBIENTAL Tratamento dos equipamentos eléctricos e electrónicos em fim de vida útil (Só aplicável na UE)



Com o objectivo de reduzir a quantidade de resíduos dos equipamentos eléctricos e electrónicos, a perigosidade dos componentes, fomentar a reutilização dos equipamentos, a valorização dos seus resíduos e determinar uma gestão adequada tratando de melhorar a eficácia da protecção ambiental, estabelece-se uma série de normas aplicáveis ao fabrico do produto e outras relativas à correcta gestão ambiental quando se transformam em resíduos.

Do mesmo modo, pretende-se melhorar o comportamento ambiental de todos os agentes que intervêm no ciclo de vida dos equipamentos eléctricos e electrónicos, como são os produtores, os distribuidores, os utilizadores e, em particular, o dos agentes directamente implicados na gestão dos resíduos derivados destes equipamentos.

A partir do dia 13 Agosto de 2005, quando quiser desfazer-se deste aparelho, tem duas possibilidades de devolução:

- se adquirir um novo aparelho que seja de tipo equivalente ou que realize as mesmas funções que o que está a deitar fora, poderá entregá-lo ao distribuidor, sem custo, no acto da compra;
- poderá levá-lo ao local destinado pelas diferentes entidades locais.

Nós assumiremos os custos de gestão.

Os equipamentos são rotulados com o símbolo de um "contentor de lixo com rodas barrado com uma cruz", que indica a necessidade de recolha selectiva e diferenciada do resto dos lixos urbanos.

Os nossos produtos são concebidos e fabricados com materiais e componentes de alta qualidade, respeitadores do ambiente, que podem ser reutilizados e reciclados. No entanto, as diferentes partes que compõem este produto não são biodegradáveis e, portanto, não devem ser abandonadas no meio ambiente. Para a reciclagem correcta deste equipamento, por favor separe o motor eléctrico do resto do aparelho de filtração.

CERTIFICADO DE GARANTIA

1. CONDIÇÕES GERAIS

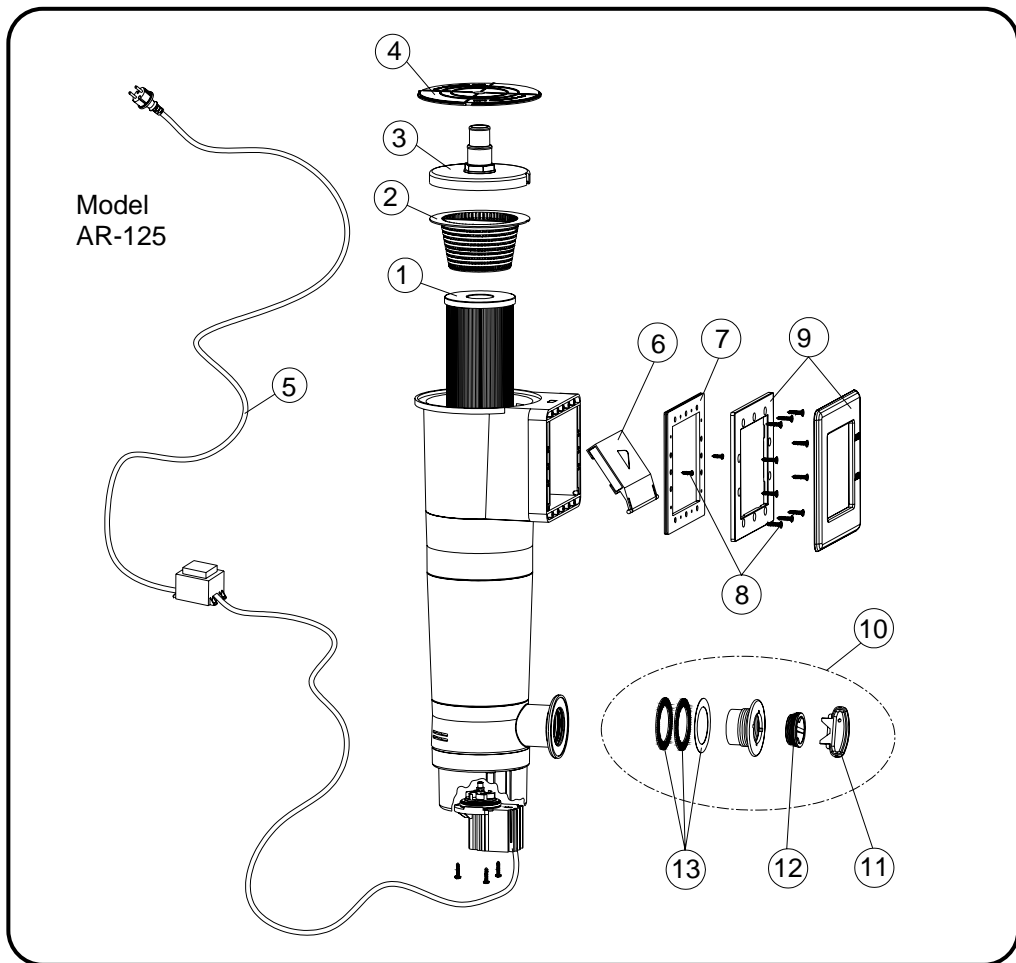
- 1.1. De acordo com estas disposições, o vendedor garante que, no momento da entrega, o produto **GRE** correspondente a esta garantia ("o Produto") não apresenta nenhum tipo de falta de conformidade.
- 1.2. O Período de Garantia para o Produto é de dois (2) anos, contados a partir da data de entrega ao comprador.
- 1.3. Se, durante o período de garantia, o comprador notificar ao vendedor alguma falta de conformidade do Produto, o vendedor deverá reparar ou substituir o Produto por sua conta no lugar onde considerar conveniente, salvo que isso seja impossível ou desmesurado.
- 1.4. Quando não for possível reparar ou substituir o Produto, o comprador poderá solicitar uma redução proporcional do preço ou, se a falta de conformidade for o suficientemente grave, a rescisão do contrato de venda.
- 1.5. As partes substituídas ou reparadas em virtude desta garantia não ampliarão o período de garantia do Produto original, mas disporão da sua própria garantia.
- 1.6. Para que a presente garantia tenha efeito, o comprador deverá apresentar o comprovante da data de compra e de entrega do Produto.
- 1.7. Se o comprador alegar uma falta de conformidade do Produto, passados mais de seis meses da data de entrega do mesmo, deverá demonstrar a origem e a existência do defeito alegado.
- 1.8. O presente Certificado de Garantia não limita nem afecta os direitos dos consumidores derivados das normas nacionais de carácter imperativo.

2. CONDIÇÕES PARTICULARES

- 2.1. A presente garantia cobre os produtos descritos neste manual.
- 2.2. O presente Certificado de Garantia só será válido nos países da União Europeia.
- 2.3. Para a eficácia desta garantia, o comprador deverá seguir rigorosamente as indicações do Fabricante contidas na documentação fornecida com o Produto, quando a mesma for aplicável em função da gama e do modelo do Produto.
- 2.4. No caso de se estabelecer um calendário para a substituição, manutenção ou limpeza de determinadas peças ou componentes do Produto, a garantia só será válida se o citado calendário tiver sido cumprido rigorosamente.

3. LIMITAÇÕES

- 3.1. A presente garantia só será válida para as vendas realizadas a consumidores, entendendo-se por "consumidor" a pessoa que comprar o Produto com fins não abrangidos no âmbito da sua actividade profissional.
- 3.2. A garantia não cobre o desgaste normal derivado do uso do produto. Em relação às peças, componentes e/ou materiais fungíveis ou consumíveis como pilhas, lâmpadas, etc., terá efeito o disposto na documentação fornecida com o Produto, em cada caso.
- 3.3. Esta garantia não abrange as seguintes situações: (I) Se o Produto tiver sido objecto de um uso incorrecto; (II) tiver sido reparado, sofrido manutenção ou manipulado por pessoas não autorizadas ou (III) tiver sido reparado ou as suas peças substituídas por peças não originais.
- 3.4. Quando a falta de conformidade do Produto for consequência de uma instalação ou colocação em funcionamento incorrecta, a presente garantia só será válida se a referida instalação ou colocação em funcionamento estiver incluída no contrato de compra-venda do Produto e tiver sido realizada pelo vendedor ou sob sua responsabilidade.



ENGLISH

ID.	CODE	DESCRIPTION	AR125	AR125S	AR125M	QUAN
1	AR82	Filtering cartridge	X	X	X	1
2	20888G0003	Basket	X	X	X	1
3	20888G0200	Suction lid	X	X	X	1
4	20888G0002	Skimmer body lid	X	X		1
4	20888G0002 CL117	Skimmer body lid brown			X	1
5	30889G0500	Kit motor / Standard cable / Transformer	X		X	1
5	30889G050S	Kit motor / Standard cable / Transformer		X		1
6	20888G0100	Gate	X	X	X	1
7	20888G0005	Double sealing joint	X	X	X	1
8	20888G0500	Bag of screws	X	X	X	1
9	20888G0600	Skimmer frame + ornamental lid	X	X	X	1
10	09928RG10	Return inlet	X	X	X	1
11	06667FP10	Valve wrench	X	X	X	1
12	00300G0002	Long-term storage cover	X	X	X	1
13	06824RG11	Return Kit	X	X	X	1

ESPAÑOL

ID.	CÓDIGO	DENOMINACIÓN	AR125	AR125S	AR125M	CANT.
1	AR82	Cartucho para Filtro	X	X	X	1
2	20888G0003	Conjunto Cesto con Asa	X	X	X	1
3	20888G0200	Conjunto Tapa Aspiración	X	X	X	1
4	20888G0002	Tapa Skimmer	X	X		1
4	20888G0002 CL117	Tapa Skimmer Marron			X	1
5	30889G0500	Kit Motor / Cable standard / Transformador	X		X	1
5	30889G050S	Kit Motor / Cable suizo / Transformador		X		1
6	20888G0100	Conjunto Compuerta	X	X	X	1
7	20888G0005	Junta Doble	X	X	X	1
8	20888G0500	Bolsa tornillos skimmer	X	X	X	1
9	20888G0600	Marco skimmer + Embellecedor	X	X	X	1
10	09928RG10	Válvula impulsión	X	X	X	1
11	06667FP10	Llave válvula	X	X	X	1
12	00300G0002	Tapón skimmer retorno	X	X	X	1
13	06824RG11	Kit retorno	X	X	X	1

FRANÇAIS

ID.	CODE	DESCRIPTION	AR125	AR125S	AR125M	QUANT
1	AR82	Cartouche filtrant	X	X	X	1
2	20888G0003	Panier	X	X	X	1
3	20888G0200	Couvercle aspiration	X	X	X	1
4	20888G0002	Couvercle corps skimmer	X	X		1
4	20888G002 CL117	Couvercle corps skimmer brun			X	1
5	30889G0500	Transformateur	X		X	1
5	30889G050S	Transformateur		X		1
6	20888G0100	Clavet	X	X	X	1
7	20888G0005	Joint double d'étanchéité	X	X	X	1
8	20888G0500	Sachet de vis	X	X	X	1
9	20888G0600	Cadre Skimmer + enjoliveur	X	X	X	1
10	09928RG10	Bouche de refoulement	X	X	X	1
11	06667FP10	Clé buse	X	X	X	1
12	00300G0002	Couvercle d'hivernage	X	X	X	1
13	06824RG11	Kit refoulement	X	X	X	1

DEUTSCH

ID.	Artikel Nr.	BESCHREIBUNG	AR125	AR125	AR125M	MENGE
1	AR82	Deckel skimmerkörper	X	X	X	1
2	20888G0003	Ansaugdeckel	X	X	X	1
3	20888G0200	Filterkartusche	X	X	X	1
4	20888G0002	Korb	X	X		1
4	20888G0002 CL117	Korb braun			X	1
5	30889G0500	Transformator	X		X	1
5	30889G050S	Transformator		X		1
6	20888G0100	Klappe	X	X	X	1
7	20888G0005	Doppelte Dichtung	X	X	X	1
8	20888G0500	Tüte mit Schrauben	X	X	X	1
9	20888G0600	Rahmen Skimmeröffnung + Zierblende	X	X	X	1
10	09928RG10	Einlaufdüse	X	X	X	1
11	06667FP10	Schlüssel Düse	X	X	X	1
12	00300G0002	Überwin-terungsdeckel	X	X	X	1
13	06824RG11	Kit Einlaufdüse	X	X	X	1

ITALIANO

ID.	CODICE	DESCRIZIONE	AR125	AR125S	AR125	QUANT
1	AR82	Cartuccia filtrante	X	X	X	1
2	20888G0003	Cesto	X	X	X	1
3	20888G0200	Coperchio aspirazione	X	X	X	1
4	20888G0002	Coperchio corpo skimmer	X	X		1
4	20888G0002 CL117	Coperchio corpo skimmer marrone			X	1
5	30889G0500	Transformatore	X		X	1
5	30889G050S	Transformatore		X		1
6	20888G0100	Serranda	X	X	X	1
7	20888G0005	Guarnizione doppia di ermeticità	X	X	X	1
8	20888G0500	Sacchetto viti	X	X	X	1
9	20888G0600	Cornice Skimmer + ornamentale	X	X	X	1
10	09928RG10	Bochetta di impulsione	X	X	X	1
11	06667FP10	Chiave bochetta	X	X	X	1
12	00300G0002	Copertura svernamento	X	X	X	1
13	06824RG11	Kit	X	X	X	1

NEEDERLAND

ID.	CODE	BESCHRIJVING	AR125	AR125S	AR125M	AANTAL
1	AR82	Filterpatroon	X	X	X	1
2	20888G0003	Tank	X	X	X	1
3	20888G0200	Zuigkap	X	X	X	1
4	20888G0002	Deksel Skimmerhuis	X	X		1
4	20888G0002 CL 117	Deksel Skimmerhuis bruin			X	1
5	30889G0500	Transformator	X		X	1
5	30889G050S	Transformator		X		1
6	20888G0100	Klep	X	X	X	1
7	20888G0005	Dubbele waterdichte naad	X	X	X	1
8	20888G0500	Zakje schroven	X	X	X	1
9	20888G0600	Lijst Skimmeringang + Sierdeksel	X	X	X	1
10	09928RG10	Impuls nipple	X	X	X	1
11	06667FP10	Sleutel nipple	X	X	X	1
12	00300G0002	Overwinteringsdeksel	X	X	X	1
13	06824RG11	Terugkeert set	X	X	X	1

PORTUGUES

ID.	CÓDIGO	DESCRIÇÃO	AR125	AR125S	AR125M	QUANT
1	AR82	Cartucho filtrante	X	X	X	1
2	20888G0003	Cesto	X	X	X	1
3	20888G0200	Tampa aspiração	X	X	X	1
4	20888G0002	Tampa corpo skimmer	X	X		1
4	20888G0002 CL117	Tampa corpo skimmer marrom			X	1
5	30889G0500	Transformador	X	X	X	1
5	30889G050S	Transformador		X		1
6	20888G0100	Comporta	X	X	X	1
7	20888G0005	Junta dupla de estanqueidade	X	X	X	1
8	20888G0500	Bolsa parafusos	X	X	X	1
9	20888G0600	Aro Skimmer + embellezadora	X	X	X	1
10	09928RG10	Boca de impulsao	X	X	X	1
11	06667FP10	Chave boca	X	X	X	1
12	00300G0002	Tampa inverno	X	X	X	1
13	06824RG11	Kit	X	X	X	1

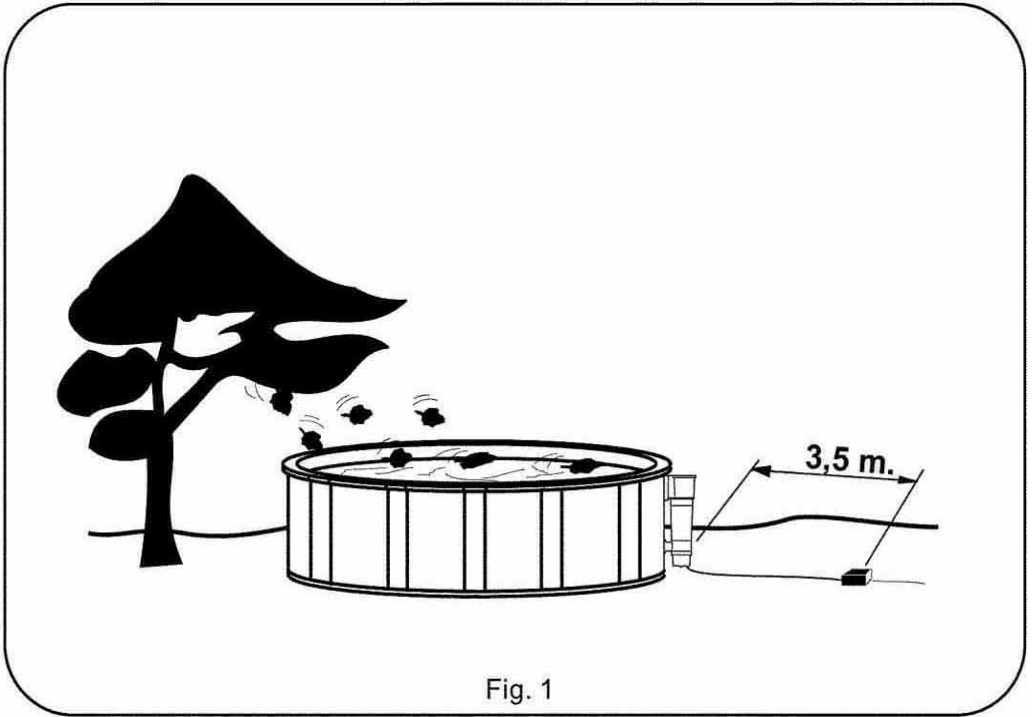


Fig. 1

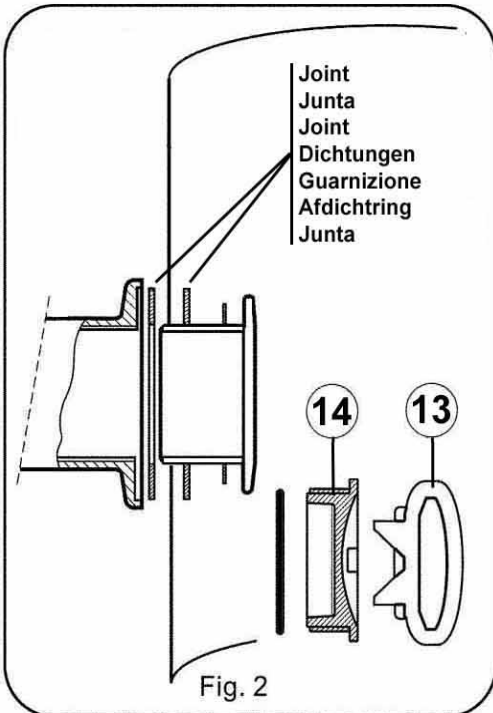


Fig. 2

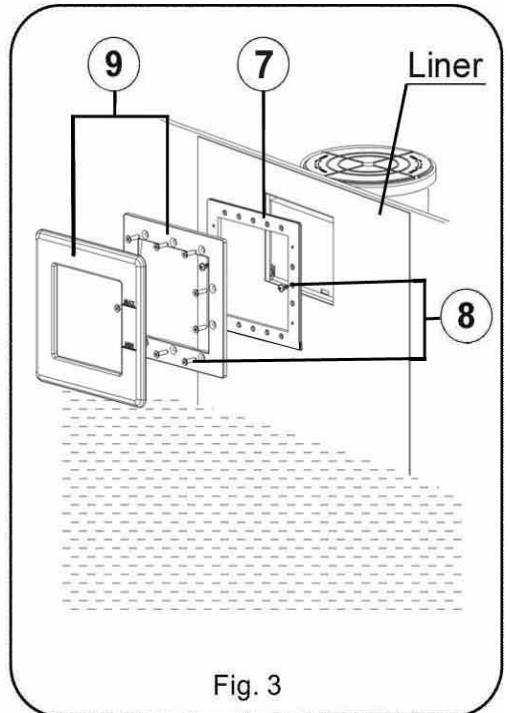


Fig. 3

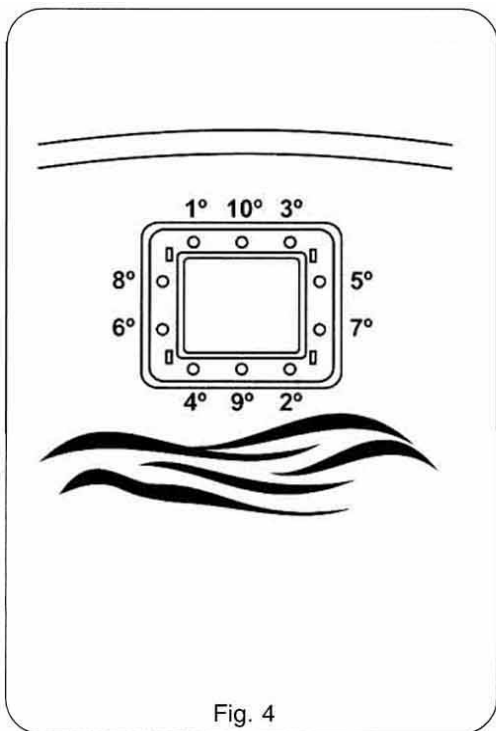


Fig. 4

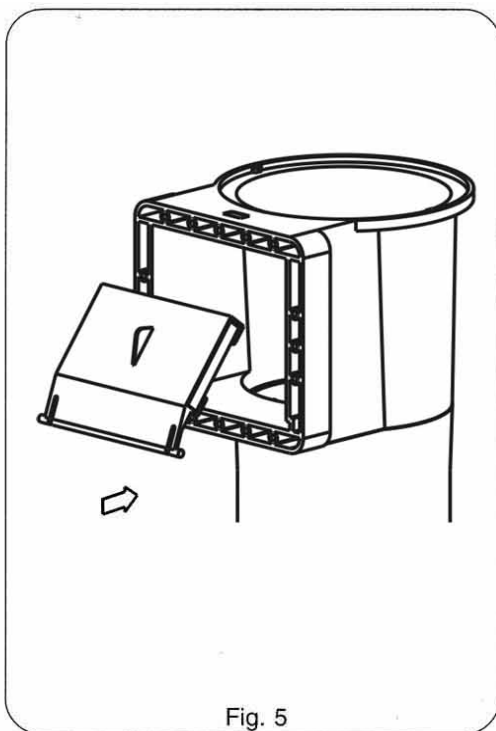


Fig. 5



Fig. 6

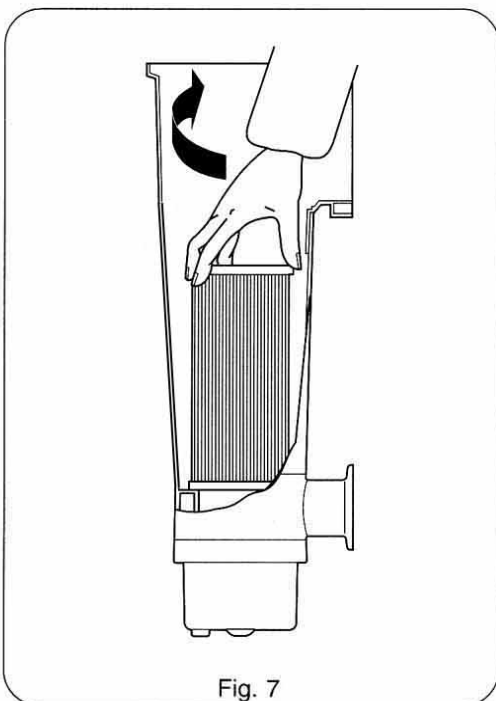


Fig. 7

GB PRODUCTS:
 E PRODUCTOS:
 F PRODUITS:
 D PRODUKTE:
 I PRODOTTI:
 NL PRODUKTEN:
 P PRODUTOS:

HANGING SKIMMER **AR-125**
 SKIMMER DE MOCHILA **AR-125**
 SKIMMER HORS-BORD **AR-125**
 HÄNGEFILTER **AR-125**
 FILTRO A PARETE **AR-125**
 HANGEND SKIMMER **AR-125**
 SKIMMER DE MOCHILA **AR-125**

DECLARATION OF CONFORMITY

The products listed above are in compliance with:
 Machinery Directive 89/392/EEC.
 Electromagnetic Compatibility Directive 89/336/EEC.
 Low Voltage Directive 73/23/EEC.
 Electrical and Electronic Equipment Directive (RoHS) 2002/95/EEC
 European Standard EN 60335-2-41 and all its modifications.

DECLARACION DE CONFORMIDAD

Los productos arriba enumerados se hallan conformes con:
 Directiva de seguridad de máquinas 89/392/CE
 Directiva de compatibilidad electromagnética 89/336/CE.
 Directiva de equipos de baja tensión 73/23/CE.
 Directiva sobre los Residuos de Equipos Eléctricos y Electrónicos (RoHS) 2002/95/CE
 Normativa Europea EN 60335-2-41, en todas sus modificaciones.

DÉCLARATION DE CONFORMITÉ

Les produits énumérés ci-dessus sont conformes à:
 La Directive de sécurité des machines 89/392/CE.
 La Directive de compatibilité électromagnétique 89/336/CE.
 La Directive des appareils à basse tension 73/23/CE.
 Directive sur les déchets d'équipements électriques et électroniques (RoHS) 2002/95/CE
 La Réglementation Européenne EN 60335-2-41, dans toutes ses modifications.

KONFORMITÄTSERKLÄRUNG

Die oben aufgeführten Produkte sind konform mit:
 Sicherheitsrichtlinie für Maschinen 89/392/CE.
 Richtlinie zur elektromagnetischen Kompatibilität 89/336/CE.
 Richtlinie für Niederspannungsanlagen 73/23/CE.
 Richtlinie Überschüssiger elektrische und elektronische Ausrüstung (RoHS) 2002/95/CE
 Europäische Norm EN 60335-2-41 mit allen Änderungen

DICHIARAZIONE DI CONFORMITÀ

I prodotti di cui sopra adempiono alle seguenti direttive:
 Direttiva di sicurezza delle macchine 89/392/CE.
 Direttiva di compatibilità elettromagnetica 89/336/CE.
 Direttiva per gli apparecchi a bassa tensione 73/23/CE.
 Direttiva sui rifiuti di apparecchiature elettriche ed elettroniche (RoHS) 2002/95/CE
 Normativa Europea EN 60335-2-41, in tutte le sue modifiche.

CONFORMITEITSVERKLARING

Bovenstaande produkten voldoen aan de:
 Veiligheidsvoorschriften van de Richtlijnen 89/392/EEG voor Machines.
 Richtlijnen 89/336/EEG voor electromagnetische verenigheid.
 Richtlijnen 73/23/EEG voor laagspanning
 Richtlijnen omtrent afvalverwerking van elektrische en electronische apparatuur (RoHS) 2002/95/EEG
 Europese Standaard EN 60335-2-41, ook wat betreft alle wijzigingen ervan.

DECLARAÇÃO DE CONFORMIDADE

Os produtos relacionados acima estão conformes as:
 Diretora de segurança de máquinas 89/392/CE.
 Diretora de compatibilidade electromagnética 89/336/CE.
 Diretora de equipamentos de baixa tensão 73/23/CE.
 Diretora de resíduos sobre as Equipes Electricos i Eletrónicos (RoHS) 2002/95/CE
 Norma Europeia EN 60335-2-41 e respectivas modificações.

SACOPA, S.A.U.

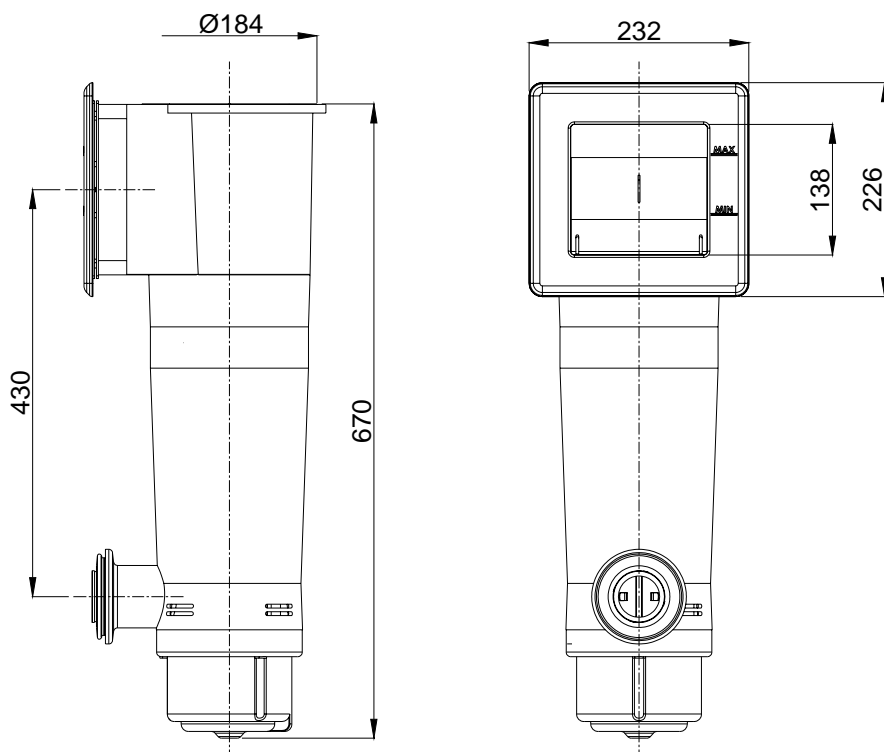
Pol Ind. Poliger Sud-Sector I, s/n
 17854 SANT JAUME DE LLIERCA (SPAIN)
 St. Jaume de Llierca, 1 November of 2006



GERENT

- TECHNICAL CHARACTERISTICS
- CARACTERISTICAS TECNICAS
- CARACTERISTIQUES TECHNIQUES
- TECHNISCHE ANGABEN
- DATI TECNICI
- TECHNISCHE GEGEVENS
- CARACTERISTICAS TECNICAS

AR-125



- TECHNICAL CHARACTERISTICS
- CARACTERISTICAS TECNICAS
- CARACTERISTIQUES TECHNIQUES
- TECHNISCHE ANGABEN
- DATI TECNICI
- TECHNISCHE GEGEVENS
- CARACTERISTICAS TECNICAS

DESCRIPTION	MODEL AR-125
Filtering speed / Velocidad de Filtración / Vitesse de Filtration Filtergeschwindigkeit / Velocità di filtrazione / Filtreersnelheid / Velocidade de Filtração	3 m³/m²/h.
Flow rate / Débit / Caudal / Portada / Durchflußmenge / Debeit / Caudal	3,8 m³/h.
Filtration area / Surfaces de filtration / Superficie de filtración / Superficie di filtrazione / Filterfläche / Filtratíe oppervlakte / Superficie de filtração	1,27 m²
Motor / Moteur / Motor / Motore / Motor / Motor / Motor	70 VA
Protection / Protección / Protection / Schutz Protezione / Protectie / Protecção	IP-X8
Motor voltage / Voltage motor / Voltaje motor / Voltaggio motore Spannung Motor / Spanning motor / Voltagem motor	12 V
Transformer / Transformateur / Transformador / Transformatore Transformator / Transformator / Transformador	230 / 12 V

MANUFACTURAS GRE, S.A.
 ARITZ BIDEA Nº 57, TROBIKA AUZOTEGIA
 48100 MUNGUIA (VIZCAYA) ESPAÑA
 Telf: 94 674 11 16 Fax: 94 674 17 08

09928E201 FP10-08

Fabricado en CE
 NIF ES A17092610

- We reserve to change all or part of the articles or contents of this document, without prior notice.
- Nos reservamos el derecho de cambiar total o parcialmente las características de nuestros artículos o contenido de este documento sin previo aviso.
- Nous nous reservons le droit de modifier totalement ou en partie les caractéristiques de nos articles ou le contenu de ce document sans pré avis.
- Wir behalten uns das recht vor die eigenschatten unserer produkte oder den inhalt dieses prospektes teilweise oder vollstanding, ohne vorherige benachichtigung zu andern.
- Ci riservamo il dritto di cambiare totalmente o parzialmente le caratteristiche tecniche dei nostri prodotti ed il contenuto di questo documento senza nessun preavviso
- Wij behouden ons het rechth voor geheel of gedeeltelijk de kenmerken van onze artikelen of de inhoud van deze handleiding zonder voorafgaand bericht te wijzigen.
- Reservamo-nos no direito de alterar, total ou parcialmente as características dos nossos artigos ou o conteúdo deste documento sem aviso prévio