



### ASTER High Performance



#### FEATURES

- ✓ Filters manufactured by spraying up on layers of polyester resin and fiber glass.
- ✓ Excellent finish.
- ✓ Colour: grey.
- ✓ Fast opening top lid.
- ✓ Maximum pressure: 2.5 bar.
- ✓ Maximum temperature: 50°C.
- ✓ **Height media bed filtration of 0.8m.**
- ✓ 2 ½" sand drain.
- ✓ Fitted with 1" collector arms and a threaded diffuser easy to remove.

#### OPTIONAL

- ✓ Ø200mm sand discharge.

#### CARACTERÍSTICAS

- ✓ Filtros fabricados con proyección simultánea de resina de poliéster y fibra de vidrio.
- ✓ Acabado excelente
- ✓ Filtro color: Gris.
- ✓ Tapa superior rápida
- ✓ Presión máxima: 2.5 bar.
- ✓ Temperatura máxima: 50°C.
- ✓ **Altura de lecho filtrante de 0.8m.**
- ✓ Descarga de arena 2 ½".
- ✓ Equipado con brazos colectores de 1" y difusor de plástico roscado.

#### OPCIONAL

- ✓ ØDescarga de arena de 200mm

#### FILTER DETAILS



- Cone diffuser
- Cono difusor

- Fitted with 1" collector arms
- Brazos colectores 1"

- Optional: Ø200mm sand discharge
- Opcional: Ø200mm descarga de arena

- 2 ½" sand drain
- 2 ½" descarga de arena

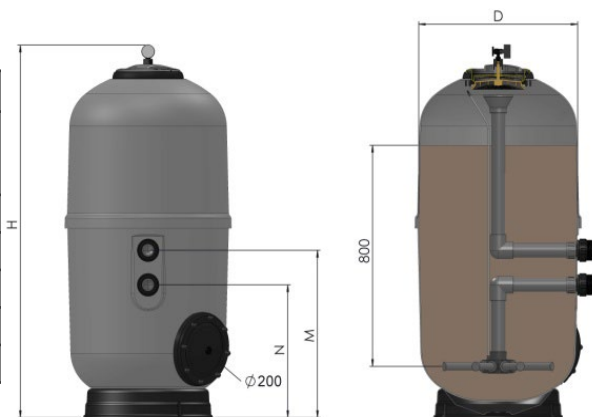
- Fast opening top lid
- Tapa superior rápida

#### TECHNICAL DATA

Code	Model (mm)	Connections (mm/inch)		Filtering velocity (m³/h/m²)	Filtration Area (m²)	Flow (m³/h)	Maximum pressure (bar)	Net weight (kg)	D (mm)	H (mm)	M (mm)	N (mm)
		mm	inch									
24768-000	500	50	1 ½"	50	0.19	9.5	2,5	30	520	1365	605	480
24769-000	600	50	1 ½"	50	0.30	15	2,5	40	630	1370	605	480
24770-000	750	63	2"	50	0.44	22	2,5	60	780	1435	665	435
10003-000	900	63	2"	50	0.64	32	2,5	90	930	1400	840	610
10004	900	75	2 ½"	50	0.64	32	2.5	90	930	1400	850	580

#### Media weight

Code	Sand (0,4-0,8mm) (Kg)	Gravel (1mm-2mm) (kg)
24768-000	150	15
24769-000	240	35
24770-000	450	65
10003-000	540	135
10004	540	135



#### PACKAGING

Code	Box dimension (cm)	Unit per pallet
24768-0100	57x57x150	4
24769-0100	68x68x150	4
24770-0100	84x84x156	1
10003-0100	100x100x160	1
10004	100x100x160	1