

FILTERING SKIMMER

THE EASY TO INSTALL
2-IN-1 SOLUTION



FILTERING SKIMMER & CARTRIDGE

TECHNICAL SPECIFICATIONS



COMES WITH 2 CARTRIDGES

SKIMMER

- Available for concrete, panel and prefabricated pools.
- A 17.5 l skimmer compliant with EN-16582-1 and EN-16713-1.
- Manufactured in white ABS with UV treatment.
- Incorporate gate, regulator lid height, skimmer basket and 2 filters.
- Upper access water connection Ø 32 mm.
- Bottom connections to be glued of Ø 63 mm and lateral of Ø 50 mm. Lateral connections are for connecting suction nozzles. They should be installed according to standard EN-16713-2 Sect. 4.4.1.
- The color of the mouth can be customized in beige, grey or anthracite with EasyColor sheath (kit 73166CLXX) and the lid with the kit 05280-0700CLXXX .
- Mouth size: 432 x 218 mm (external dimension of skimmer mouth).
- For a proper installation, see the manual.

CARTRIDGE

- 2 sizes available : for 16 m³ filtration/h (480 mm de height) and 20 m³/h (600 mm height).
- Made of a more resistant and durable material (PET).
- Optimum filtration quality : 15 microns.
- User friendly cartridge : easy handling.
- The skimmer comes with 2 filtering cartridges : this means that in the meantime the end-user is cleaning a cartridge, he can replace it by the other. The pump continue to work in good conditions and insure at the same time a good cartridge cleaning.

THE EASY TO INSTALL 2-IN-1 SOLUTION

SKIMMER & CARTRIDGE

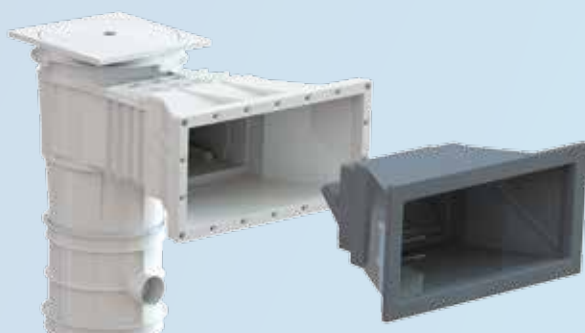
Easy and fast installation : The installation of this integrated solution (skimmer + cartridge) means that the installer will save a lot of time when building a pool and it significantly reduces labor costs.

Two-in-one skimmer and filter solution :

1. The skimmer drains the water and retains any debris.
2. The water is then filtered by the integrated cartridge of 15 microns that delivers unbeatable filtration quality. Once the water is clean, it is sucked by the pump and sent back to the pool. See our pump recommendations at the bottom of this page.



1. EASYCOLOR SHEATH**



→ The color change is proposed with an inlet sheath, both the embellisher and the floater. This sheath could be installed without changing the skimmer mouth what is very practical to renew or upgrade pools.



Beige



Light Grey



Anthracite

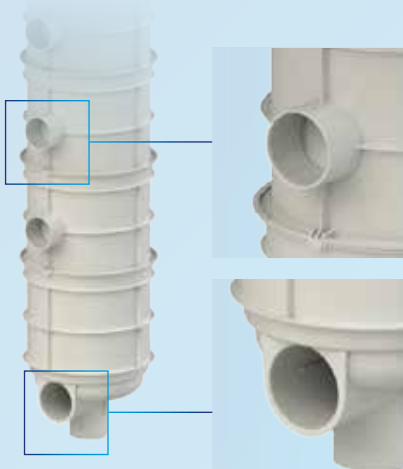
2. OPTIMUM FILTRATION & EASY TO REPLACE



→ **Optimum filtration quality : 15 microns.**

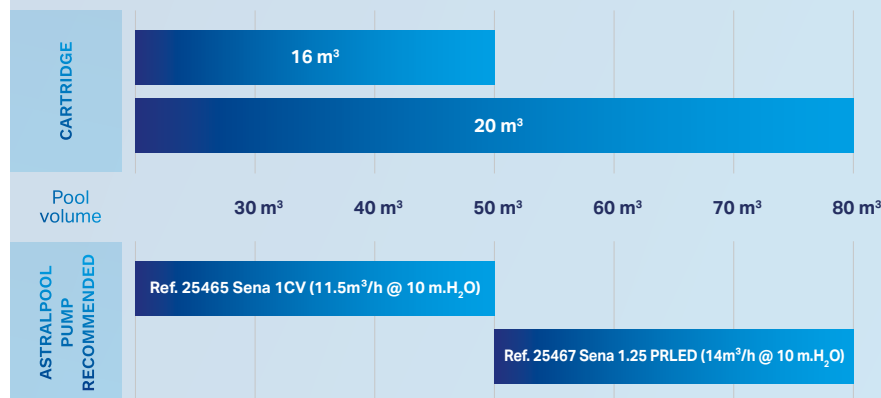
In addition, the skimmer's cartridges are easy to change.

3. SAFE AND INTEGRATED



→ Possibility to have side suction nozzle inlets, as well as an upper mouth, in order to avoid blockages and ensure that the pump always sucks filtered water.

4. WHICH SKIMMER TO CHOOSE?



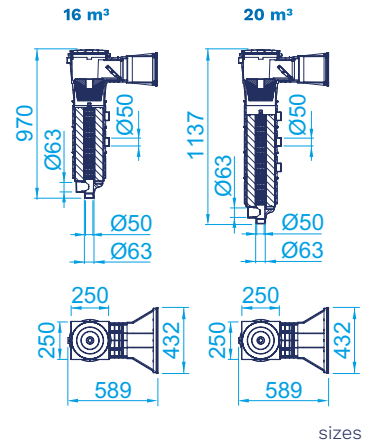
POOL DIMENSIONS

→ Available for **most standard** pools

** Not included. Standard skimmers are white



SKUs	DESCRIPTION
73158	Filtering skimmer for concrete pools 16 m ³ (2 cartridges included)
73159	Filtering skimmer for prefabricated pools 16 m ³ (2 cartridges included)
73160	Filtering skimmer for panel pools 16 m ³ (2 cartridges included)
73161	Filtering skimmer for concrete pools 20 m ³ (2 cartridges included)
73162	Filtering skimmer for prefabricated pools 20 m ³ (2 cartridges included)
73163	Filtering skimmer for panel pools 20 m ³ (2 cartridges included)



sizes

↑ *Note: Panel version: the mouth is not glued to the skimmer body.
Comes with a glue kit. Please see the manufacturer's manual for installation instructions.*



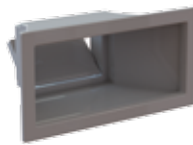
73164	Cartridge 16 m ³ /h
73165	Cartridge 20 m ³ /h

EASYCOLOR SLEEVE



Beige

73166CL090



Light Grey

73166CL129



Anthracite

73166CL144

SKIMMER LIDS



Beige

05280-0700CL090



Light Grey

05280-0700CL129



Anthracite

05280-0700CL144



For further information:
www.astralpool.com

FLUIDRA S.A.
www.fluidra.com