



ZODIAC®

PX25

EN Quick Start Guide

FR *Guide de Démarrage Rapide

DE Kurz- oder Schnellstartanleitung

ES Guía de Inicio Rápido

IT Guida Rapida

PT Guia Rápido

NL Snelstartgids

EL Οδηγός γρήγορης έναρξης

SV Snabbstartsguide

HU Első lépések

PL Przewodnik Szybkiego Uruchamiania

BG Ръководство за бърз старт

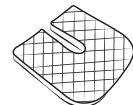
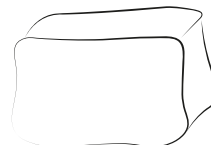
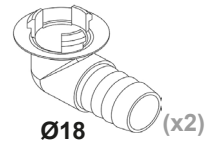
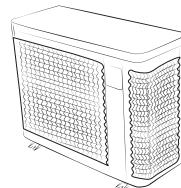
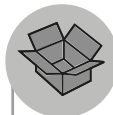
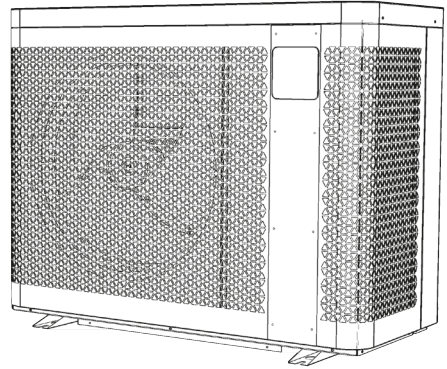
CS Stručný návod

SK Príručka pre rýchle spustene

دليل التشغيل السريع **AR**

*Instructions d'origine
 Original instructions
 Original anleitung
 Originele instructies
 Instrucciones originales
 Instruções originais
 Istruzioni originali
 Πρωτότυπες οδηγίες
 Originalinstruktioner
 Eredeti utasítások
 Oryginalne instrukcje
 Оригинални инструкции
 Originální návod
 Pôvodný návod

التعليمات الأصلية





WARNINGS



This manual contains only basic information on the safety measures to be adopted during installation, maintenance and start-up. The complete manual can be read and downloaded as a PDF file from the website: www.zodiac.com. All assembly, electrical installation and maintenance work must be carried out by qualified, authorized personnel who have read this manual carefully and completely. We reserve the right to totally or partially change our products' features or the content of this document without prior warning.



GENERAL WARNINGS

- The appliance is intended to be used for pools and spas for a specific purpose; it must not be used for any purpose other than that for which it was designed.
- Failure to respect the warnings may cause serious damage to the pool equipment or cause serious injury, even death.
- This appliance is not intended for use by persons (including children) with reduced physical, sensory or mental capabilities, or lack of experience and knowledge, unless they have been given supervision or instruction concerning use of the appliance by a person responsible for their safety. Children should be supervised to ensure that they do not play with the appliance.
- This appliance can be used by children aged from 8 years and above and persons with reduced physical, sensory or mental capabilities or lack of experience and knowledge if they have been given supervision or instruction concerning use of the appliance in a safe way and understand the hazards involved. Children shall not play with the appliance. Cleaning and user maintenance shall not be made by children without supervision.
- The appliance must be installed according to the manufacturer's instructions and in compliance with local and national regulations.
- Our products may only be assembled and installed in pools compliant with standards IEC/HD 60364-7-702 and required national rules. The installation should follow standard IEC/HD 60364-7-702 and required national rules for swimming pools. Consult your local dealer for more information.

WARNINGS ASSOCIATED WITH ELECTRICAL APPLIANCES

- The power supply to the appliance must be protected by a dedicated 30mA Residual Current Device (RCD), complying with the standards and regulations in force in the country in which it is installed.
- The equipment not include electrical switch for disconnection; include a disconnection supply device in the fixing wiring at least OVC III, in accordance applicable national laws.
- If the power supply cord is damaged, it must be replaced by the manufacturer, an authorized representative or a repair facility only.

WARNINGS CONCERNING APPLIANCES CONTAINING R32 REFRIGERANT



- This device contains R32 refrigerant, a class A2L refrigerant, which is considered to be potentially flammable.
- Do not discharge R32 fluid into the atmosphere. This is a fluorinated greenhouse gas, covered by the Kyoto Protocol, with a Global Warming Potential (GWP) = 675 (European regulation EU 517/2014).
- In order to comply with the applicable standards and regulations in terms of the environment and installation, in particular Decree No. 2015-1790 and/or European regulation EU 517/2014, a leak test must be performed on the cooling circuit when the appliance is first started and at least once a year. This operation must be carried out by a specialist certified to test cooling appliances.
- Install the unit outdoors. Do not install the unit indoors or in a closed and unventilated area.
- The appliance shall be stored in a room without continuously operating ignition sources (for example: open flames, an operating gas appliance or an operating electric heater).
- For further information consult the safety instructions concerning appliances containing gas R32 in the extended version of the manual, in which the fields area check, work procedure, general work area, check for the presence of refrigerant, check for the presence of a fire extinguisher, no source of ignition, area ventilation, refrigerant equipment check, electrical component check, repair of insulated components, repair of intrinsically components, wiring, detection of flammable refrigerant, removal and discharge, loading procedures and dismantling are specified.
- Be aware that R32 refrigerant may not contain an odour.
- Do not use means to accelerate the defrosting process or to clean, other than those recommended by the manufacturer.
- Do not piece or burn.



WARNINGS

INSTALLATION AND MAINTENANCE

- Only a person qualified in the technical fields concerned (electricity, hydraulics or refrigeration) is authorized to carry out installation, maintenance or repair work on the appliance
- The appliance may not be installed close to combustible materials, or the air duct inlet of an adjacent building.
- When servicing the appliance, the composition and state of the heat transfer fluid must be checked, as well as the absence of any traces of coolant.
- During the appliance's annual sealing test in accordance with applicable legislation, the high and low pressure switches must be checked to ensure that they are securely fastened to the cooling circuit and that they cut off the electrical circuit when tripped.
- During maintenance work, ensure there are no traces of corrosion or oil around the cooling components.
- Before beginning work on the cooling circuit, stop the appliance and wait for a few minutes before fitting the temperature and pressure sensors. Some elements such as the compressor and piping may reach temperatures in excess of 100°C and high pressures with the consequent risk of severe burns.

REFRIGERANT SPECIFICATIONS

Area check

- Prior to beginning work on systems containing flammable refrigerants, safety checks are necessary to ensure that the risk of ignition is minimized.

Work procedure

- Work shall be undertaken under a controlled procedure so as to minimize the risk of a flammable gas or vapor being present while the work is being performed.

General work area

- All maintenance staff and others working in the local area shall be instructed on the nature of work being carried out. Work in confined spaces shall be avoided.

Check for the presence of refrigerant

- The area shall be checked with an appropriate refrigerant detector prior to and during work, to ensure the technician is aware of potentially toxic or flammable atmospheres. Ensure that the leak detection equipment being used is suitable for use with all applicable refrigerants, i.e. non-sparking, adequately sealed or intrinsically safe.

Check for the presence of a fire extinguisher

- If any work involving heat is to be conducted on the refrigerating equipment or any associated parts, appropriate fire extinguishing equipment shall be available to hand. Have a dry powder or CO₂ fire extinguisher adjacent to the charging area.

No source of ignition

- No person carrying out work in relation to a refrigerating system which involves exposing any pipe work shall use any sources of ignition in such a manner that it may lead to the risk of fire or explosion. All possible ignition sources, including cigarette smoking, should be kept sufficiently far away from the site of installation, repairing, removing and disposal, during which refrigerant can possibly be released to the surrounding space. Prior to work taking place, the area around the equipment is to be surveyed to make sure that there are no flammable hazards or ignition risks.

“No Smoking” signs shall be displayed.

Area ventilation

- Prior to penetrating the unit in any way to perform any required service, ensure that the area is open and adequately ventilated. Proper ventilation, to allow for safe dispersion of any refrigerant which may be inadvertently released to the atmosphere, should be maintained while service is being performed on the unit.

PRODUCT INFORMATION FOR PRODUCTS WITH CONNECTIVITY (Under RED Directive)

Declaration of conformity

Hereby, Zodiac declares that the radio equipment in the PX25 range is in compliance with Directive 2014/53/EU. The full text of the EU Declaration of conformity is available at the following address: <https://www.zodiac-poolcare.com/>.

1 Installing the appliance

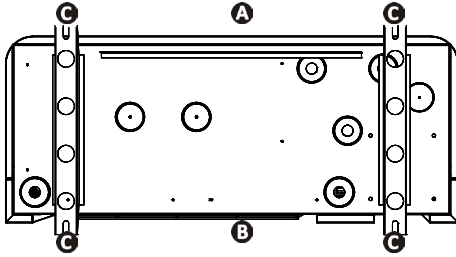


1
Installation



- The appliance must be installed outdoors, at least 2 meters from the edge of the swimming pool.

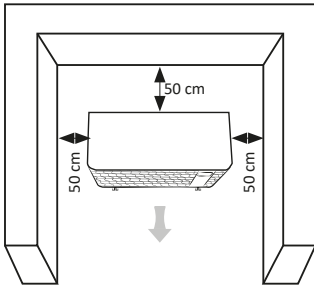
Place the device on its anti-vibration feet (supplied with the device) on a stable, solid and level surface.



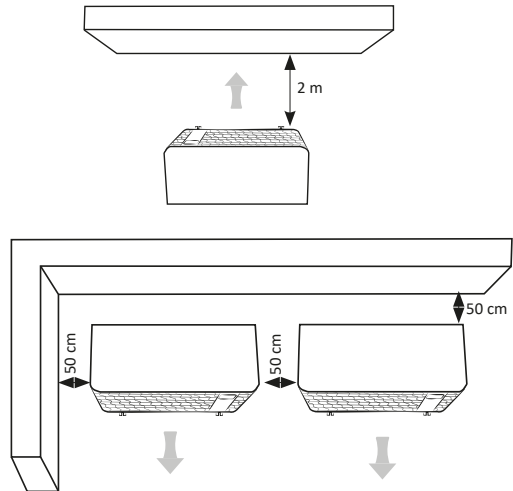
- A** : Front
- B** : Back
- C** : Anti-vibration feet

View of the appliance base from below for installing the anti-vibration pads

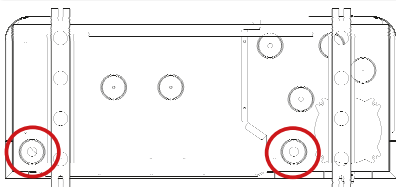
Choose the location



Minimum distances



Evacuate the condensates Raise at least 10 cm the appliance with anti-vibration feet. Fit the two condensate drainage pipes to the openings located under the appliance base.



Refer to the online manual for further details about installation precautions and hydraulic connections.

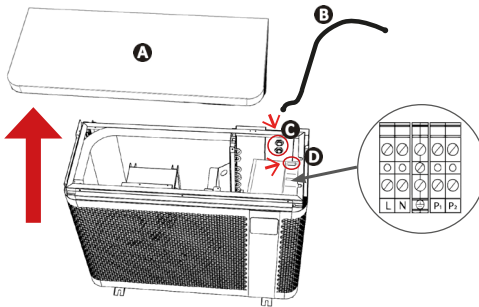


- Cut the electricity supply before any work inside the appliance (risk of electric shock). The removal of the power supply has to be such that you can always check from any of the points to which you have access that the power supply remains removed. If this is not possible, you should provide a disconnection with a locking system.
- Only a qualified and experienced technician is authorised to carry out cabling work within the appliance or to replace the power cord.
- Make sure that the terminal screws are fully tightened (risk of fire). Incorrectly tightened terminal screws will cancel the warranty.
- Do not disconnect the electricity supply when the appliance is running. If the electric power supply is interrupted, wait a minute before restoring the power.

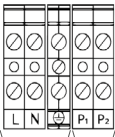


Connect the unit to the power supply and options

Open the top panel **A** with a screwdriver (4 screws) to access the electrical terminal block. **B** Insert the power supply cable into one of the cable gland **C** on the rear part of the appliance. Inside the appliance, fix the power supply cable by threading it through the cable clamp **D**.

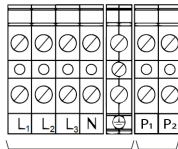


Connect the power supply cable to the terminal block inside the appliance as following.



Connect to power supply
Connect options (filtration pump, power supply relay).

Terminal block for single phase power supply

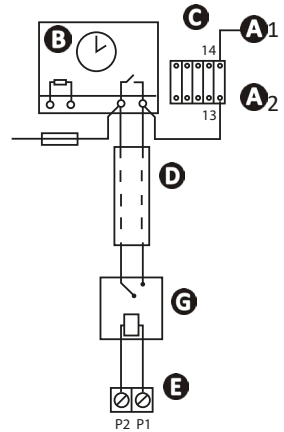


Connect to power supply
Connect options (filtration pump, power supply relay).

Terminal block for tri-phase power supply

L: Live
N: Neutral
⊥: Earth

Heating priority connection

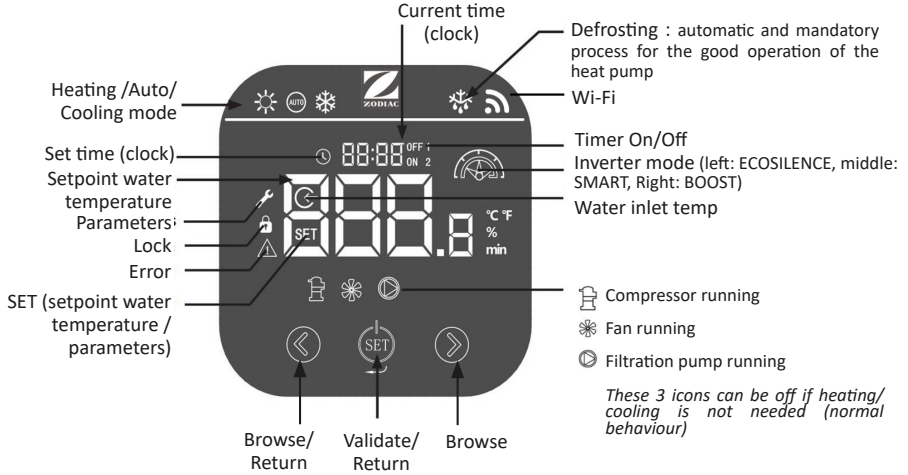


- A1 - A2:** Power for the filtration pump power contactor evaporator
- B:** filtration timer
- C:** power contactor (two-pole contactor) for filtration system pump motor
- D:** separate cable for the "heating priority" function (not supplied)
- E:** heat pump terminal board
- F:** fuse
- G:** 230V/dry contact relay (not included)

Cable wiring and protection

Model	Electricity supply	Max. current	Cable diameter*	Thermal magnetic protection	
MD3	220 - 240 V 1 phase 50-60 Hz	8	RO2V 3x2,5 mm ²	16 A	
MD4		9		16 A	
MD5		13		16 A	
MD6		16	RO2V 3x4 mm ²	20 A	
MD8		19		20 A	
MD9		20		25 A	
MD12		30		32 A	
TD8	380 - 400 V 3 phase 50-60 Hz	8	RO2V 5x2,5 mm ²	10 A	
TD9		9		10 A	
TD12		12		RO2V 5x4 mm ²	16 A

*Cable cross section suitable for max. length 20 meters.



These 3 icons can be off if heating/cooling is not needed (normal behaviour)

Icons

Mode		Description
	Heating	ECOSILENCE Reduced power to further energy savings and lowest noise level. Best to maintain the temperature when outside air temperature is warm.
		SMART Automatic power adjustment depending on the need. Chooses between ECOSILENCE and BOOST modes automatically.
		BOOST Maximum power for fast heat-up. Best at the beginning of the season to rise up the temperature or to maintain the temperature when the outside temperature is cold.
	Heating/ Cooling (recommended mode)	SMART The heat pump intelligently chooses the most appropriate operating mode according to the setpoint temperature.
	Cooling	ECOSILENCE Cooling the pool at reduced power to further energy savings and lowest noise level.
		SMART Automatic power adjustment depending on the need. Chooses between ECOSILENCE and BOOST modes automatically.
		BOOST Cooling the pool at maximum power for fast cooling.

**Lock/Unlock the keypad**

3 seconds

**Setting the time (clock)**

Press twice.



flashes.



Press the arrow button to set time, then SET to set the hours.



Press to change.



Press to validate. Push SET again and do the same for minutes.



Press for 1 second to confirm.

**Adjust the temperature setpoint**

Unlock the keypad (3 s)

Check that the compressor is working:

The operating mode icon displays.



Modify the temperature. The operating mode icon blinks.

Recommended temperature: 28 °C**Select an operating mode**

The heat pump has 3 active operating modes for adjusting its operating speed to the power that is required and the mode that is selected:

- "BOOST" mode
- "SMART" mode
- "ECOSILENCE" mode
- "AUTO" mod



Unlock the keypad (3 s). Then press SET.

The icon  displays.

Navigate through the available modes.



Press to select. Press 2 s to start.

**Deactivate the heat pump**

Unlock the keypad (3 s).



Press 2 s. The heat pump's compressor will stop after few minutes



The icon disappears when the compressor is not working.



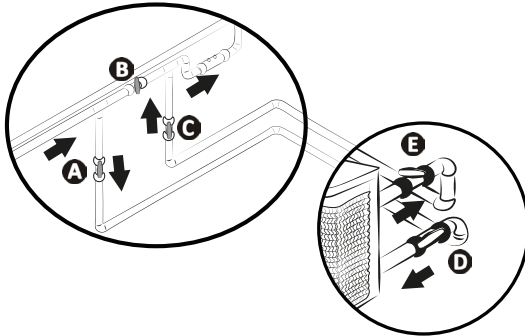
Press 2 s to restart the compressor.




Refer to the online manual for further details about operating modes.



Open the hydraulic circuit

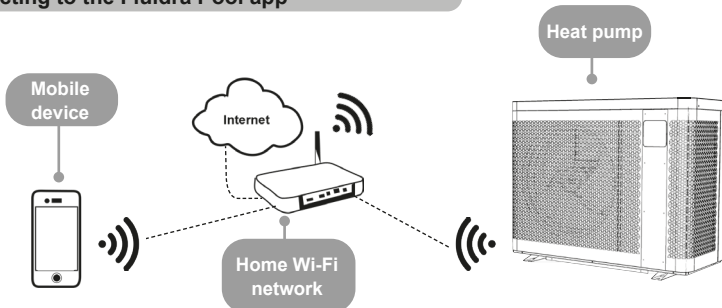


CAUTION : An incorrect by-pass setting may cause the heat pump to malfunction.

- Close valve B gradually.
- Open valves A, C and D fully. Open valve E by half (the air built up in the condenser and the filtration circuit will bleed out). If valves D and E are not present, open valve A wide and close valve C by half.
- Connect the power supply to the heat pump.
- If the heat pump is on standby, press  for 3 seconds: Adjust the clock and select an operating mode.
- Set the desired temperature.



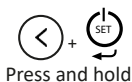
Connecting to the Fluidra Pool app



The heat pump can be remotely controlled from a smartphone or tablet, via the Fluidra Pool app available for iOS and Android systems. Before connecting to the Fluidra Pool app, ensure that you:

- Use a Wi-Fi-enabled smartphone or tablet.
- Use a Wi-Fi network with a reasonably strong signal when connecting to the heat pump: the Wi-Fi signal must be detectable at the place where the appliance is used. If this is not the case, a technical solution must be provided to amplify the existing signal.
- Rest close to the appliance and have your home Wi-Fi network password at the ready .

Download the Fluidra Pool app (QR code on the back of the product)



“SET” flashes

Open the application and follow the steps described in the app to add the heat pump.

**Winterising**

Press and hold to turn off the appliance

Disconnect the power supply for at least 3 minutes

Close valves A and C and open valves D and E (if present)

Drain the water from the condenser to avoid any risk of freezing

Put on the winterising cover

- In the case of full winterising for the pool (complete shutdown of the filtration system, bleed the filtration circuit or even pool drainage): re-fit the two connectors by one turn to prevent any foreign bodies from getting into the condenser.
- In the case of winterising for the heat pump only (shutdown of the heating only, the filtration keeps running): do not tighten the connectors but add 2 caps (provided) on the condenser's water inlets and outlets.
- Put on the winterising cover (provided) on the heat pump passing the hydraulics connections up through the opening provided for that purpose. It is not necessary to disconnect hydraulic and electrical connections.



- **Winterising is vital to prevent the condenser breaking due to freezing (freezing without winterising is not covered by the warranty).**
- **To avoid damaging the appliance with condensation, do not fully cover it; use the provided winterising cover.**

**Maintenance**

- Make sure that the ventilation grid is not blocked by any foreign bodies.
- Clean the evaporator using a soft brush and a fresh water spray (disconnect the power cable).
- Clean the condensate drainage line to remove any impurities that may be blocking it.
- Make sure that the switch box's ventilation grid is clean.
- Do not use a high pressure jet. Do not spray with rain water, salt water or water which is full of minerals.
- Clean the outside of the appliance; do not use any solvent-based products. You can use a specific cleaning kit as an accessory: the PAC NET.




- **Do not disconnect the electricity supply when the appliance is running. If the electric power supply is interrupted, wait a minute before restoring power to the appliance.**
- **Before any maintenance, troubleshooting or repair operation, deactivating the modem's Wi-Fi connection is recommended to avoid any risk of the appliance being remotely controlled.**
- **It is recommended that the appliance undergo general servicing at least on a yearly basis to ensure proper operation, maintain performance levels and potentially prevent certain failures. These operations are carried out at the user's expense by a technician.**







Refer to the online manual for further details about safety instructions relative to R32 refrigerant and maintenance tasks that have to be carried out by a qualified technician.



- Before you contact the retailer, carry out these few simple checks if a problem occurs. If the problem is not resolved, contact your retailer.
-  : Actions to be performed by a qualified technician only.

Appliance behaviour

The appliance does not start heating straight away	<ul style="list-style-type: none"> • When the water flow rate is zero or is not enough, the appliance stops: check that the water is circulating correctly in the appliance and that the hydraulic connections are correct. • The appliance stops when the outdoor temperature falls below -7 °C.
The appliance is discharging water	<ul style="list-style-type: none"> • To check that the water is not coming from a leak in the pool circuit on the appliance, shut it down and run the filter pump to circulate water in the appliance. If the water continues to flow through the condensate drainage lines, there is a water leak in the appliance: contact your retailer.
The evaporator is iced over	<ul style="list-style-type: none"> • The appliance will soon switch to its defrost cycle to melt the ice. • If the appliance cannot manage to defrost its evaporator, it will stop itself; this means that the outdoor temperature is too low (below -7°C).
The appliance is “smoking”	<ul style="list-style-type: none"> • If the appliance is not in its defrost cycle, this is not normal. Switch off and disconnect the appliance immediately and contact your retailer .
The appliance is not working	<ul style="list-style-type: none"> •  If there is no display, check the supply voltage and the F1 fuse. • When the water flow rate is zero or is not enough, the appliance stops: check that the water is circulating correctly in the appliance.
The fan is running but the compressor stops from time to time with no error message	<ul style="list-style-type: none"> • If the outdoor temperature is low, the appliance will perform defrost cycles. • The appliance is unable to capture enough calories as its evaporator is clogged with dirt. Clean it to restore its performances.
The appliance is working but the water temperature does not increase	<ul style="list-style-type: none"> • The operating mode is not powerful enough. Switch to “BOOST” mode and set the filtration to 24/24 manual while the temperature rises. • Check that the automatic filling valve is not stuck in open position; this will keep supplying cold water into the pool and will prevent the temperature from rising. • There is too much heat loss as the air is cool. Install a heat insulated cover on the pool. • The appliance is unable to capture enough calories as its evaporator is clogged with dirt. Clean it to restore its performances. •  Check that the appliance is the right size for this pool and its environment.
The appliance trips the circuit breaker	<ul style="list-style-type: none"> •  Check that the circuit breaker is correctly dimensioned and that the cable section used is correct. •  The supply voltage is too low; contact your electricity supplier .



Refer to the online manual for further details about error codes display and the wiring diagrams.



Performances: air at 26°C / water at 26°C / humidity at 80 %

		MD3	MD4	MD5	MD6	MD8
Operating power (max-min speed)	kW	7,0 - 2	9,5 - 2,3	13,0 - 2,4	15,0 - 2,5	19,0 - 7,5
Consumed power (max-min speed)	kW	1,1 - 0,15	1,4 - 0,2	2,0 - 0,1	2,5 - 0,15	3,5 - 0,6
COP (max-min speed)		6,5 - 13,4	6,7 - 13,5	6,5 - 16,4	6,0 - 16,3	5,6 - 12,5
		MD9	MD12	TD8	TD9	TD12
Power output (max-min speed)	kW	24,0 - 6,7	31,0 - 9,2	19,0 - 7,5	24,0 - 6,7	31,0 - 9,2
Power consumed (max-min speed)	kW	4,5 - 0,5	5,6 - 0,7	3,5 - 0,6	4,5 - 0,5	5,6 - 0,7
COP (max-min speed)		5,4 - 13,7	5,4 - 13,2	5,6 - 12,5	5,4 - 13,7	5,4 - 13,2

Technical specifications

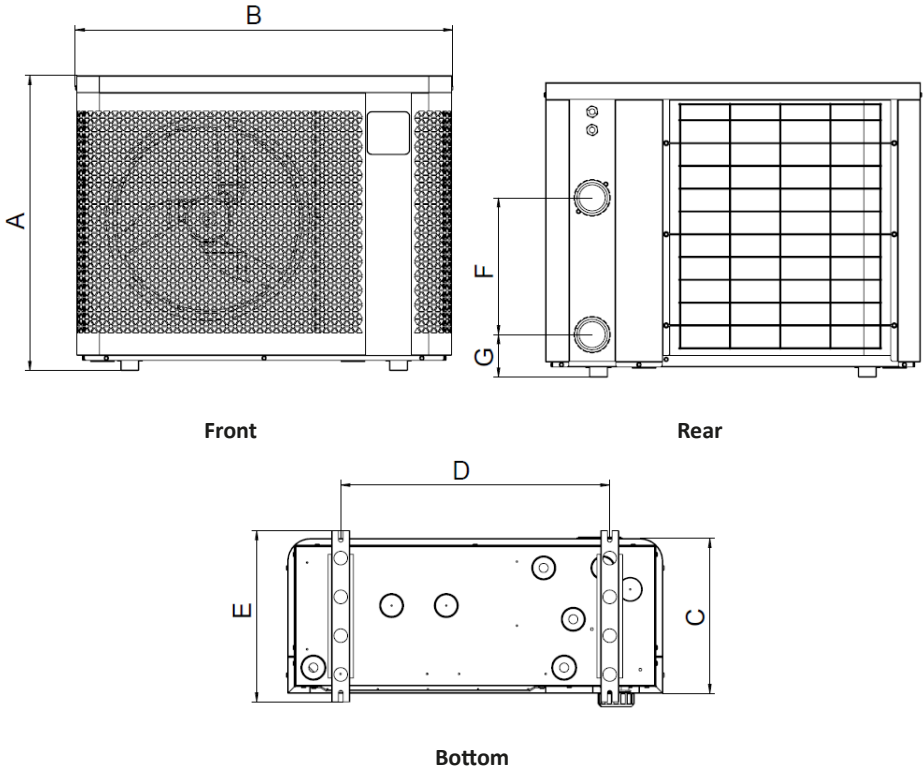
Operating temperature	Air	-7 to 43°C
	Water	In "heating mode" from 15 to 40°C In "cooling mode" from 8 to 28°C
Operating pressure	Refrigerant	from 0,5 to 42 bar (from 0.05 to 4.2 MPa)
	Water	from 0 to 2 bar (from 0 to 0.2 MPa)
Power supply		220 - 240V ~ / 1 phase / 50 Hz 380 - 400 V / 3 phase / 50-60 Hz (only for TD8, TD9, TD12)
Admissible variation in voltage		± 6 % (during operation)
Hydraulic connections		2 PVC Unions Ø 50
Type of refrigerant fluid		R32
Protection rating		IPX4
Frequency bands	GHz	2.400 - 2.497
Radiofrequency emission power	dBm	+19.5
Installation location		Outdoors

Technical specifications

		MD3	MD4	MD5	MD6	MD8
Nominal operating power	A	4,7	6	8,4	10,7	14
Max operating power	A	8	9	13	16	19
Minimum cable section*	mm ²	3 x 2,5			3 x 4	
Acoustic power (max-min)	dB(A)	62-50	65-52		67-54	69
Acoustic pressure at 10m (max-min)	dB(A)	31-19	34-21		36-23	38
Recommended water flow	m ³ /h	3	4	5	6	7
Refrigerant fluid load	kg	0,3	0,45	0,6	0,7	1,0
	Tonn CO2 eq.	0,20	0,30	0,41	0,47	0,68
Approximate weight	kg	42,5	44,5	49,5	56	70
		MD9	MD12	TD8	TD9	TD12
Nominal electric current requirement	A	15,3	23	5,2	7,4	9,6
Max electric current requirement	A	20	30	8	9	12
Minimum cable section*	mm ²	3 x 4	3 x 6	5 x 2.5		5 x 4
Acoustic power (max-min)	dB(A)	71	74	69	71	74
Acoustic pressure at 10m (max-min)	dB(A)	40	43	38	40	43
Recommended water flow	m ³ /h	8	11	7	8	11
Refrigerant fluid load	kg	1,25	1,55	1,0	1,25	1,55
	Tonn CO2 eq.	0,84	1,05	0,68	0,84	1,05
Approximate weight	kg	88,5	107	73,5	92	103

* Values provided for information purposes for a maximum length of 20 metres (calculation base: NFC15-100), must be checked and adapted to the installation conditions and standards of the installation country.

Dimensions



	A	B	C	D	E	F	G
MD3	646	823	339,5	590	375	300	93
MD4						260	103
MD5						330	93
MD6	906	593					
MD8	746	1103	359	790	395	350	
MD9							
MD12	846	1133	509,5	743	545	367	
TD8							
TD9						430	
TD12							



AVERTISSEMENTS



Ce manuel ne contient que des informations de base sur les mesures de sécurité à adopter lors de l'installation, de la maintenance et de la mise en service. Le manuel complet peut être lu et téléchargé sous forme de fichier PDF sur le site web : www.zodiac.com. Tous les travaux de montage, d'installation électrique et de maintenance doivent être effectués par du personnel qualifié et autorisé qui a lu attentivement ce manuel. Nous nous réservons le droit de modifier totalement ou partiellement les caractéristiques de nos produits ou le contenu de ce document sans avertissement préalable.



AVERTISSEMENTS GÉNÉRAUX

- L'appareil est destiné à être utilisé dans les piscines et les spas dans un but précis ; il ne doit pas être utilisé à d'autres fins que celles pour lesquelles il a été conçu.
- Le non-respect des avertissements peut endommager gravement l'équipement de la piscine ou causer des blessures graves, voire mortelles.
- Cet appareil n'est pas destiné à être utilisé par des personnes (y compris les enfants) dont les capacités physiques, sensorielles ou mentales sont réduites, ou qui manquent d'expérience et de connaissances, à moins qu'elles n'aient été supervisées ou instruites à l'utilisation de l'appareil par une personne responsable de leur sécurité. Les enfants doivent être surveillés afin de s'assurer qu'ils ne jouent pas avec l'appareil.
- Cet appareil peut être utilisé par des enfants âgés de plus de 8 ans et par des personnes dont les capacités physiques, sensorielles ou mentales sont réduites, ou qui manquent d'expérience et de connaissances, s'ils ont été supervisés ou instruits à l'utilisation de l'appareil avec sécurité et s'ils comprennent les risques encourus. Les enfants ne doivent pas jouer avec l'appareil. Le nettoyage et la maintenance par l'utilisateur ne doivent pas être effectués par des enfants sans surveillance.
- L'appareil doit être installé conformément aux instructions du fabricant et dans le respect des réglementations locales et nationales.
- Nos produits ne peuvent être assemblés et installés que dans les piscines conformes aux normes CEI/HD 60364-7-702 et aux règles nationales requises. L'installation doit être conforme à la norme CEI/HD 60364-7-702 et aux règles nationales requises pour les piscines. Consulter votre revendeur local pour plus d'informations.

AVERTISSEMENTS ASSOCIÉS AUX APPAREILS ÉLECTRIQUES

- L'alimentation électrique de l'appareil doit être protégée par un disjoncteur différentiel dédié de 30 mA, conforme aux normes et réglementations en vigueur dans le pays où il est installé.
- L'équipement n'inclut pas de commutateur électrique pour la déconnexion. Ajouter un dispositif de déconnexion de l'alimentation dans le câblage de fixation d'une catégorie OVC III au minimum, conformément aux lois nationales applicables.
- Si le cordon d'alimentation est endommagé, il ne doit être remplacé que par le fabricant, par un représentant agréé ou par un centre de réparation.

AVERTISSEMENTS CONCERNANT LES APPAREILS CONTENANT DU RÉFRIGÉRANT R32



- Cet appareil contient du réfrigérant R32, un réfrigérant de catégorie A2L, qui est considéré comme potentiellement inflammable.
- Ne pas décharger le fluide R32 dans l'atmosphère. Il s'agit d'un gaz fluoré à effet de serre, couvert par le protocole de Kyoto, avec un Potentiel de chauffage global (GWP) de 675 (réglementation européenne UE 517/2014).
- Afin de se conformer aux normes et aux réglementations pertinentes en matière d'environnement et d'installation, notamment au décret N° 2015-1790 et/ou à la réglementation européenne UE 517/2014, une recherche de fuite doit être effectuée sur le circuit de refroidissement lors du premier démarrage de l'appareil ou au moins une fois par an. Cette opération doit être effectuée par un spécialiste certifié des appareils de refroidissement.
- Installer l'unité à l'extérieur. Ne pas installer l'unité à l'intérieur ou dans un endroit clos et non aéré.
- L'appareil doit être stocké dans une pièce sans source d'étincelle en fonctionnement permanent (par exemple : flammes à l'air libre, appareil à gaz en fonctionnement ou chauffage électrique en fonctionnement).
- Pour en savoir plus, consultez les instructions de sécurité concernant les appareils contenant du gaz R32 dans la version complète du manuel, qui explique le contrôle des zones de site, la procédure de travail, la zone de travail générale, la vérification de présence de réfrigérant, la vérification de présence d'un extincteur, l'absence de source d'étincelle, la ventilation de la zone, la vérification de l'équipement de réfrigération, la vérification des composants électriques, la réparation sur les composants isolés, la réparation des composants intrinsèques, le câblage, la détection du réfrigérant inflammable, le retrait et l'élimination, les procédures de chargement et le démontage.
- A noter que le réfrigérant R32 peut ne pas avoir d'odeur.
- N'utilisez aucun moyen pour accélérer le processus de dégivrage ou pour nettoyer, autres que ceux recommandés par le fabricant.
- Ne pas percer ni incinérer.

INSTALLATION ET MAINTENANCE

- Seule une personne qualifiée dans les domaines techniques concernés (électricité, hydraulique ou réfrigération) est autorisée à effectuer les travaux d'installation, d'entretien ou de réparation de l'appareil
- L'appareil ne doit pas être installé à proximité de matériaux combustibles ou de l'entrée du conduit d'air d'un bâtiment adjacent.
- Lors de l'entretien de l'appareil, vérifier la composition et l'état du fluide caloporteur, ainsi que l'absence de toute trace de liquide de refroidissement.
- Lors du test annuel d'étanchéité de l'appareil, conformément à la législation en vigueur, vérifier que les pressostats haute et basse pression sont bien fixés au circuit de refroidissement et qu'ils coupent le circuit électrique en cas de déclenchement.
- Lors des travaux de maintenance, s'assurer qu'il n'y a pas de traces de corrosion ou d'huile autour des composants de refroidissement.
- Avant de commencer des travaux sur le circuit de refroidissement, arrêter l'appareil et attendre quelques minutes avant de monter les capteurs de température et de pression. Certains éléments, tels que le compresseur et la tuyauterie, peuvent atteindre des températures supérieures à 100 °C et des pressions élevées, avec le risque de brûlures graves que cela implique.



AVERTISSEMENTS



SPÉCIFICATIONS DU RÉFRIGÉRANT

Contrôle de la zone

- Avant de commencer à travailler sur des systèmes contenant des réfrigérants inflammables, des contrôles de sécurité sont nécessaires pour garantir que le risque d'étincelle soit réduit.

Procédure de travail

- Les travaux doivent être entrepris selon une procédure contrôlée afin de minimiser le risque de présence de gaz ou de vapeurs inflammables pendant l'exécution des travaux.

Zone de travail générale

- Le personnel de maintenance et les autres personnes travaillant dans la zone doivent être informés de la nature des travaux à effectuer. Le travail dans des espaces confinés doit être évité.

Contrôle de la présence du réfrigérant

- La zone doit être contrôlée à l'aide d'un détecteur de réfrigérant approprié avant et pendant le travail, afin de s'assurer que le technicien est averti des atmosphères potentiellement toxiques ou inflammables. S'assurer que l'équipement de détection des fuites utilisé est adapté à une utilisation avec tous les réfrigérants applicables, c'est-à-dire qu'il ne produit pas d'étincelles, qu'il est correctement scellé ou qu'il est intrinsèquement sûr.

Contrôle de la présence d'un extincteur

- Si des travaux impliquant de la chaleur doivent être effectués sur l'équipement de réfrigération ou sur toute pièce associée, un équipement d'extinction des incendies approprié doit être disponible à portée de main. Un extincteur à poudre ou à CO2 doit être présent à proximité de la zone de chargement.

Absence de source d'inflammation

- Il est interdit à toute personne effectuant un travail sur un système de réfrigération qui implique l'exposition d'une tuyauterie d'utiliser des sources d'inflammation d'une manière qui puisse entraîner un risque d'incendie ou d'explosion. Toutes les sources d'inflammation possibles, y compris la cigarette, doivent être maintenues suffisamment éloignées du site d'installation, de réparation, de retrait et d'élimination, quand du réfrigérant peut éventuellement être libéré dans l'espace environnant. Avant le début des travaux, la zone autour de l'équipement doit être examinée pour s'assurer qu'il n'y a pas de risques d'inflammabilité ou d'inflammation. Des panneaux « Défense de fumer » doivent être affichés.

Ventilation de la zone

- Avant de pénétrer dans l'unité de quelque manière que ce soit pour effectuer un entretien, s'assurer que la zone est ouverte et correctement ventilée. Une ventilation adéquate doit être maintenue pendant l'entretien de l'unité pour permettre une dispersion sûre de tout réfrigérant qui pourrait être libéré par inadvertance dans l'atmosphère.

INFORMATIONS POUR LES PRODUITS AVEC CONNECTIVITÉ (selon la directive RED)

Déclaration de conformité

Par la présente, Zodiac déclare que l'équipement radio de la gamme PX25 est conforme à la directive 2014/53/UE. Le texte intégral de la Déclaration de conformité européenne est disponible à l'adresse suivante : <https://www.zodiac-poolcare.com/>.

1 Installation de l'appareil

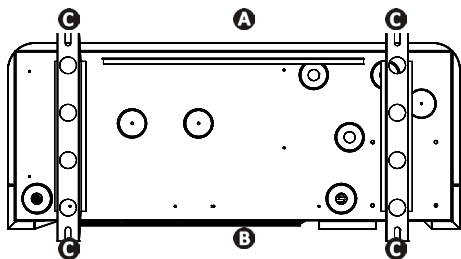


1 Installation



- L'appareil doit être installé à l'extérieur, au moins 2 mètres du bord de la piscine.

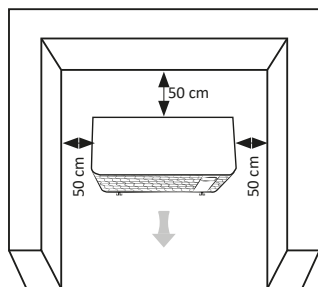
Poser l'appareil sur ses plots anti-vibratiles (fournis avec l'appareil) sur une surface stable, solide et de niveau



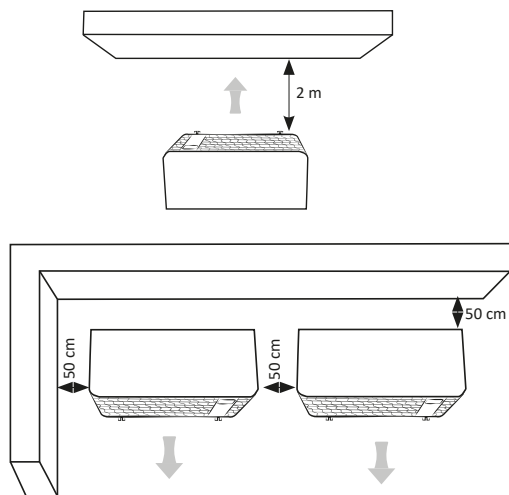
- A** : Avant
- B** : Arrière
- C** : Plots anti-vibratiles

Vue de la base de l'appareil du dessous pour installer les plots anti-vibratiles

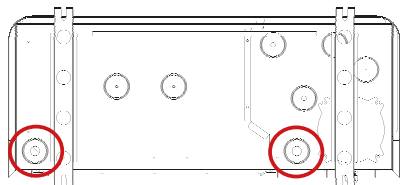
Choisir l'emplacement



Distance minimales



Évacuer les condensats Relever l'appareil d'au moins 10 cm avec les plots anti-vibratiles et installer les deux conduites d'évacuation de condensats sur les ouvertures situées sous la base de l'appareil.



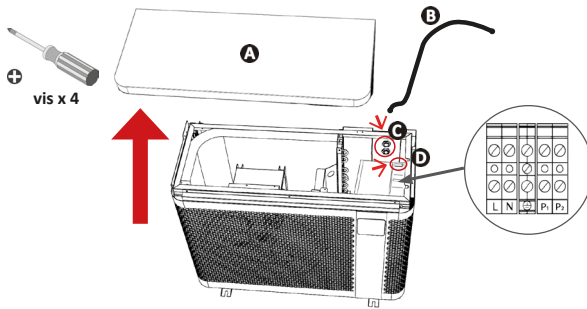
Consulter le manuel en ligne pour plus de détails sur les précautions d'installation et les connexions hydrauliques.



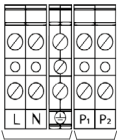
- Couper l'alimentation électrique avant toute intervention à l'intérieur de l'appareil (risque d'électrocution). Le retrait de l'alimentation électrique doit être fait de sorte que vous puissiez toujours vérifier, à partir de n'importe quel point auquel vous avez accès, que l'alimentation électrique reste retirée. Si cela n'est pas possible, vous devez prévoir une déconnexion avec un système de verrouillage.
- Seul un technicien qualifié et expérimenté est autorisé à effectuer des travaux de câblage dans l'appareil ou à remplacer le cordon d'alimentation.
- S'assurer que les vis des bornes sont entièrement serrées (risque d'incendie). Des vis de borne mal serrées annuleront la garantie.
- Ne pas débrancher l'alimentation électrique lorsque l'appareil est en marche. Si l'alimentation électrique est interrompue, attendre une minute avant de rétablir le courant.

Connecter l'unité à l'alimentation électrique et aux accessoires

Ouvrir et retirer le panneau supérieur **A** à l'aide d'un tournevis (4 vis) pour accéder au bornier électrique. **B** Insérer le câble d'alimentation dans un des presse-étoupes **C** à l'arrière de l'appareil. Dans l'appareil, fixer le câble d'alimentation en l'insérant à travers l'attache-câble **D**.

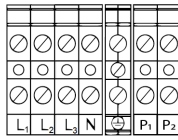


Connecter le câble d'alimentation au bornier à l'intérieur de l'appareil comme suit.



Connexion à l'alimentation électrique

Connexion des options (pompe de filtration, relais d'alimentation électrique).



Connexion à l'alimentation électrique

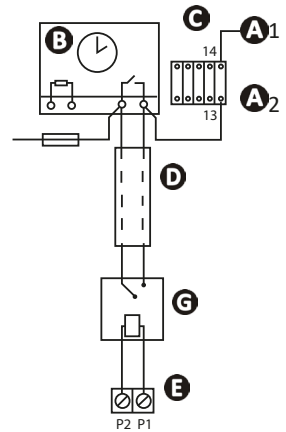
Connexion des options (pompe de filtration, relais d'alimentation électrique).

L: Tension
N: Neutre
 Terre

Bornier pour alimentation monophasée

Bornier pour alimentation triphasée

Connexion de la priorité chauffage



A1 - A2: Alimentation pour la bobine contacteur de puissance de la pompe de filtration

B: Horloge de filtration

C: Contacteur (bipolaire) pour la pompe de filtration

D: Câble séparé pour la fonction « priorité chauffage » (non fourni)

E: Bornier de la pompe à chaleur

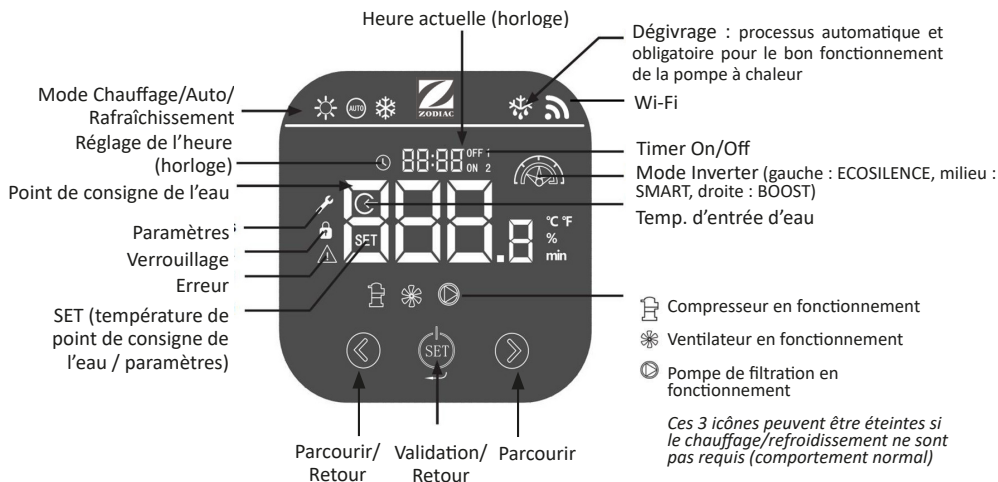
F: Fusible

G: Relais à contact sec/230 V (non fourni)

Câblage et protection des câbles

Modèle	Alimentation électrique	Intensité max	Diamètre du câble*	Protection magnétique thermique (courbe D)	
MD3	220 - 240 V 1 phase 50-60 Hz	8	RO2V 3x2,5 mm ²	16 A	
MD4		9		16 A	
MD5		13		16 A	
MD6		16		20 A	
MD8		19		RO2V 3x4 mm ²	20 A
MD9		20			25 A
MD12		30	RO2V 3x6 mm ²	32 A	
TD8	380 - 400 V 3 phase 50-60 Hz	8	RO2V 5x2,5 mm ²	10 A	
TD9		9		10 A	
TD12		12		RO2V 5x4 mm ²	16 A

* Section transversale de câble adaptée pour des câbles de 20 mètres max. Pour des longueurs supérieures, consulter un électricien..



Icônes

Mode		Description
	Chauffage	ECOSILENCE Fonctionnement à puissance réduite pour plus d'économies d'énergie et un niveau de bruit minimal. Idéal pour maintenir la température lorsque la température de l'air extérieur est élevée.
		SMART Ajustement automatique de la puissance selon les besoins. Bascule automatiquement entre les modes ECOSILENCE et BOOST.
		BOOST Fonctionnement à puissance maximale pour un chauffage rapide. Idéal en début de saison pour élever ou maintenir la température lorsque l'air extérieur est froid.
	Chauffage/ Rafraîchissement (mode recommandé)	SMART La pompe à chaleur choisit automatiquement le mode de fonctionnement le plus adapté selon la température de point de consigne.
	Rafraîchissement	ECOSILENCE Rafraîchir la piscine à puissance réduite pour plus d'économies d'énergie et un niveau de bruit minimal.
		SMART Ajustement automatique de puissance selon les besoins. Bascule automatiquement entre les modes ECOSILENCE et BOOST.
		BOOST Rafraîchir la piscine à puissance maximale pour un rafraîchissement rapide.



Verrouiller/déverrouiller le clavier



3 secondes



Régler l'horloge



Appuyer 2 fois.
clignote.



Appuyer pour régler les heures



Appuyer pour modifier.



Appuyer pour valider. Appuyer sur SET à nouveau pour régler les minutes.



Appuyer 1 s pour confirmer et revenir à l'écran principal.



Régler le point de consigne de température



Déverrouiller le clavier (3 s)

Vérifier que le compresseur fonctionne :
l'icône du mode de fonctionnement apparaît.



Modifier la température.
L'icône du mode de fonctionnement clignote.

Température recommandée : 28 °C



Sélectionner les modes de fonctionnement

La pompe à chaleur dispose de 4 modes de fonctionnement chauffage/refroidissement pour adapter sa vitesse de fonctionnement à la puissance requise et au mode sélectionné :

- mode « BOOST »
- mode « SMART »
- mode « ECOSILENCE »
- mode « Auto » (recommandé)



Déverrouiller le clavier (3 s).
Puis, appuyer sur SET.

L'indicateur  apparaît.



Naviguer dans les modes disponibles.



Appuyer pour valider.
Appuyer 2 s pour démarrer.



Désactiver la pompe à chaleur



Déverrouiller le clavier (3 s).



Appuyer 2 s. La pompe s'arrête après quelques minutes.



L'icône disparaît lorsque le compresseur ne fonctionne pas.



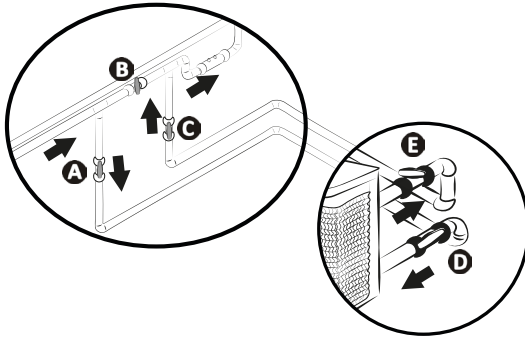
Appuyer 2 s pour rallumer le compresseur.




Consulter le manuel en ligne pour plus de détails sur les modes de fonctionnement et la minuterie.



Ouvrir le circuit hydraulique

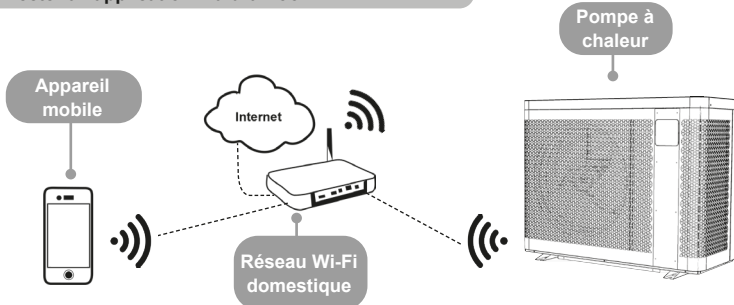


ATTENTION : Un réglage incorrect du bypass peut entraîner un dysfonctionnement de la pompe à chaleur.

- Fermer progressivement la vanne B.
- Ouvrir complètement les vannes A, C et D. Ouvrir la vanne E à moitié (l'air accumulé dans le condenseur et le circuit de filtration sera purgé). Si les vannes D et E ne sont pas présentes, ouvrir la vanne A entièrement et fermer la vanne C à moitié.
- Brancher l'alimentation électrique sur la pompe à chaleur.
- Si la pompe à chaleur est en veille, appuyer sur  pendant 3 secondes : Régler l'horloge et sélectionner un mode de fonctionnement.
- Régler la température souhaitée.



Se connecter à l'application Fluidra Pool



La pompe à chaleur peut être contrôlée à distance depuis un smartphone ou une tablette, via l'application Fluidra Pool disponible pour les systèmes iOS et Android. Avant de se connecter à l'application Fluidra Pool, veiller à :

- Utiliser un smartphone ou une tablette compatible Wi-Fi.
- Utiliser un réseau Wi-Fi avec un signal raisonnablement fort lors de la connexion à la pompe à chaleur : le signal Wi-Fi doit être détectable à l'endroit où l'appareil est utilisé. Si ce n'est pas le cas, une solution technique doit être fournie pour amplifier le signal existant.
- Rester à proximité de l'appareil et préparer le mot de passe du réseau Wi-Fi domestique.

Télécharger l'application Fluidra Pool (code QR à l'arrière de l'appareil)



« SET » clignote

Ouvrir l'application et suivre les étapes décrites dans l'app pour ajouter la pompe à chaleur.



Hivernage



Appuyer et maintenir 2s pour éteindre l'appareil

Débrancher l'alimentation électrique pour 3 minutes minimum

Ouvrir la vanne B. Fermer les vannes A et C et ouvrir les vannes D et E (le cas échéant)

Vidanger l'eau du condenseur pour éviter tout risque de gel

Mettre la housse d'hivernage

- En cas d'hivernage complet de la piscine (arrêt complet du système de filtration, purge du circuit de filtration ou vidange de la piscine) : remonter les deux connecteurs avec un tour pour éviter toute pénétration de corps étrangers dans le condenseur.
- En cas d'hivernage de la pompe à chaleur seule (arrêt du chauffage seul, la filtration continue de fonctionner) : ne pas serrer les connecteurs mais ajouter 2 bouchons (fournis) sur les entrées et sorties d'eau du condenseur.
- Mettre la housse d'hivernage (fournie) sur la pompe à chaleur en faisant passer les connexions hydrauliques par l'ouverture prévue à cet effet. Il n'est pas nécessaire de déconnecter les connexions hydrauliques et électriques.



- **L'hivernage est essentiel pour éviter toute rupture du condenseur à cause du gel (le gel sans hivernage n'est pas couvert par la garantie).**
- **Pour éviter d'endommager l'appareil avec la condensation, ne pas le couvrir entièrement et utiliser la housse d'hivernage fourni.**



Maintenance

- S'assurer que la grille de ventilation n'est pas obstruée par des corps étrangers.
- Nettoyer l'évaporateur à l'aide d'une brosse douce et d'un jet d'eau fraîche (débrancher le câble d'alimentation).
- Nettoyer le conduit d'évacuation des condensats pour éliminer les impuretés qui pourraient l'obstruer.
- S'assurer que la grille de ventilation du boîtier de commutation est propre.
- Ne pas utiliser de jet à haute pression. Ne pas pulvériser d'eau de pluie, d'eau salée ou d'eau chargée de minéraux.
- Nettoyer l'extérieur de l'appareil ; ne pas utiliser de produits à base de solvants. Vous pouvez utiliser un kit de nettoyage spécifique comme accessoire : le PAC NET.



- **Ne pas débrancher l'alimentation électrique lorsque l'appareil est en marche. Si l'alimentation électrique est interrompue, attendre une minute avant de rétablir le courant vers l'appareil.**
- **Avant toute opération de maintenance, de dépannage ou de réparation, il est recommandé de désactiver la connexion Wi-Fi du modem pour éviter tout risque de contrôle à distance de l'appareil.**
- **Il est recommandé de réaliser un entretien général de l'appareil au moins une fois par an afin de garantir son bon fonctionnement, de maintenir les niveaux de performance et éventuellement d'éviter certaines défaillances. Ces opérations sont effectuées aux frais de l'utilisateur par un technicien.**



Consulter le manuel en ligne pour plus de détails sur les consignes de sécurité relatives au réfrigérant R32 et sur les tâches de maintenance qui doivent être effectuées par un technicien qualifié.



- Avant de contacter le revendeur, effectuer ces quelques contrôles simples en cas de problème. Si le problème n'est pas résolu, contacter votre revendeur.

-  : Les actions doivent être effectuées par un technicien qualifié uniquement.

Comportement de l'appareil

L'appareil ne commence pas à chauffer immédiatement	<ul style="list-style-type: none"> • Lorsque le débit d'eau est nul ou insuffisant, l'appareil s'arrête : vérifier que l'eau circule correctement dans l'appareil et que les connexions hydrauliques sont correctes. • L'appareil s'arrête lorsque la température extérieure descend en dessous de -7 °C.
L'appareil rejette de l'eau	<ul style="list-style-type: none"> • Pour vérifier que l'eau ne provient pas d'une fuite dans le circuit de la piscine sur l'appareil, l'éteindre et faire fonctionner la pompe de filtration pour faire circuler l'eau dans l'appareil. Si l'eau continue à s'écouler par les conduits d'évacuation des condensats, il y a une fuite d'eau dans l'appareil : contacter votre revendeur.
L'évaporateur est gelé	<ul style="list-style-type: none"> • L'appareil va bientôt passer au cycle de dégivrage pour faire fondre la glace. • Si l'appareil ne parvient pas à dégivrer son évaporateur, il s'arrête de lui-même ; cela signifie que la température extérieure est trop basse (inférieure à -7°C).
L'appareil est « fumant »	<ul style="list-style-type: none"> • Si l'appareil n'est pas dans son cycle de dégivrage, ce n'est pas normal. Éteindre et débrancher immédiatement l'appareil et contacter votre revendeur.
L'appareil ne fonctionne pas	<ul style="list-style-type: none"> •  S'il n'y a pas d'affichage, vérifier la tension d'alimentation et le fusible F1. • Lorsque le débit d'eau est nul ou insuffisant, l'appareil s'arrête : vérifier que l'eau circule correctement dans l'appareil.
Le ventilateur fonctionne mais le compresseur s'arrête de temps en temps sans message d'erreur	<ul style="list-style-type: none"> • Si la température extérieure est basse, l'appareil effectue des cycles de dégivrage. • L'appareil ne parvient pas à capter suffisamment de calories car son évaporateur est encrassé. Le nettoyer pour rétablir ses performances.
L'appareil fonctionne mais la température de l'eau n'augmente pas	<ul style="list-style-type: none"> • Le mode de fonctionnement n'est pas assez puissant. Passer en mode « BOOST » et régler la filtration sur 24/24 manuellement pour que la température augmente. • Vérifier que la vanne de remplissage automatique n'est pas bloquée en position ouverte ; ceci continue à alimenter la piscine en eau froide et empêche la température d'augmenter. • Il y a trop de pertes de chaleur car l'air est frais. Installer une couverture isolée thermiquement sur la piscine. • L'appareil ne parvient pas à capter suffisamment de calories car son évaporateur est encrassé. Le nettoyer pour rétablir ses performances. •  Vérifier que l'appareil est de la bonne taille pour cette piscine et son environnement.
L'appareil déclenche le disjoncteur	<ul style="list-style-type: none"> •  Vérifier que le disjoncteur est correctement dimensionné et que la section de câble utilisée est correcte. •  La tension d'alimentation est trop faible ; contacter votre fournisseur d'électricité.



Consulter le manuel en ligne pour plus de détails sur l'affichage des codes d'erreur et sur les schémas de câblage.



Performances : air à 26 °C / eau à 26 °C / humidité à 80 %

		MD3	MD4	MD5	MD6	MD8
Puissance restituée (vitesse max-min)	kW	7,0 - 2	9,5 - 2,3	13,0 - 2,4	15,0 - 2,5	19,0 - 7,5
Puissance consommée (vitesse max-min)	kW	1,1 - 0,15	1,4 - 0,2	2,0 - 0,1	2,5 - 0,15	3,5 - 0,6
COP moyen (vitesse max-min)		6,5 - 13,4	6,7 - 13,5	6,5 - 16,4	6,0 - 16,3	5,6 - 12,5
		MD9	MD12	TD8	TD9	TD12
Puissance restituée (vitesse max-min)	kW	24,0 - 6,7	31,0 - 9,2	19,0 - 7,5	24,0 - 6,7	31,0 - 9,2
Puissance consommée (vitesse max-min)	kW	4,5 - 0,5	5,6 - 0,7	3,5 - 0,6	4,5 - 0,5	5,6 - 0,7
COP moyen (vitesse max-min)		5,4 - 13,7	5,4 - 13,2	5,6 - 12,5	5,4 - 13,7	5,4 - 13,2

Spécifications techniques

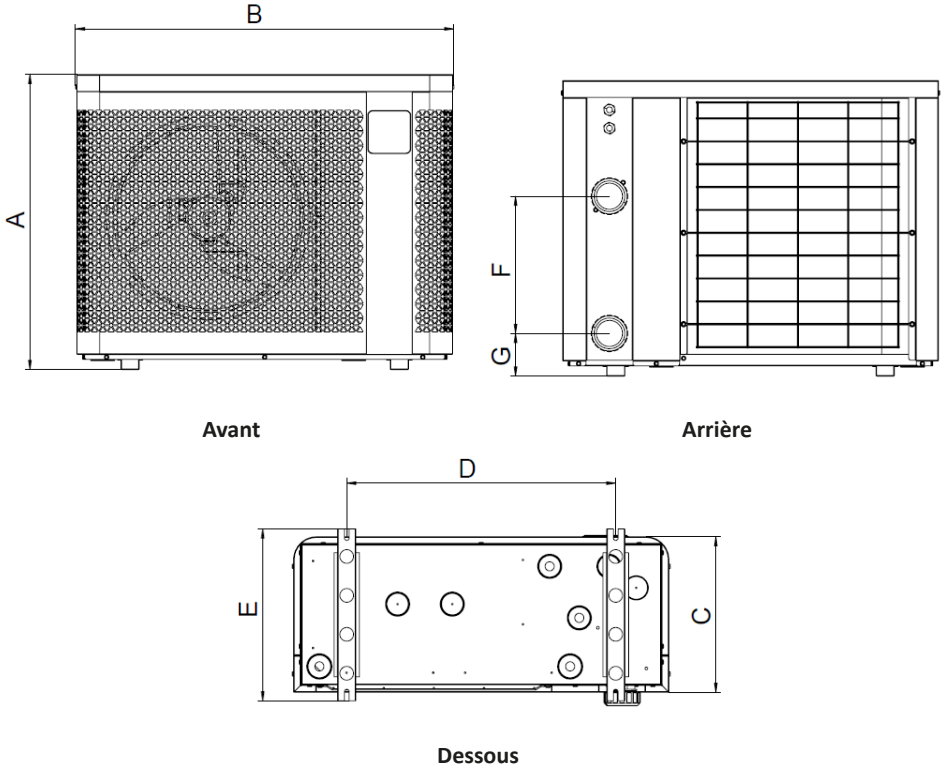
Température de fonctionnement	Air	de -7 à 43 °C
	Eau	En mode « chauffage » : 15 à 40 °C En mode « refroidissement » : 8 à 28 °C
Pression de fonctionnement	Réfrigérant	de 0,5 à 42 bar (de 0,05 à 4,2 MPa)
	Eau	de 0 à 2 bar (de 0 à 0,2 MPa)
Alimentation électrique		220 - 240 V / 1 phase / 50-60 Hz 380 - 400 V / 3 phase / 50-60 Hz (TD8, TD9, TD12 seulement)
Variation de tension admissible		± 6 % (pendant le fonctionnement)
Connexions hydrauliques		2 x raccords PVC, 1/2 unions Ø 50
Type de fluide de refroidissement		R32
Indice de protection		IPX4
Bandes de fréquence	GHz	2,400 - 2,497
Puissance d'émission de radiofréquences	dBm	+19,5
Lieu d'installation		extérieur

Spécifications techniques

		MD3	MD4	MD5	MD6	MD8
Intensité absorbée nominale	A	4,7	6	8,4	10,7	14
Intensité absorbée maximale	A	8	9	13	16	19
Section minimale du câble*	mm ²	3 x 2,5			3 x 4	
Puissance acoustique (max-min)	dB(A)	62-50	65-52		67-54	69
Pression acoustique à 10 m (max-min)	dB(A)	31-19	34-21		36-23	38
Débit d'eau recommandé	m ³ /h	3	4	5	6	7
Charge de fluide de frigorigène	kg	0,3	0,45	0,6	0,7	1,0
	Équiv. Tonne de CO ₂	0,20	0,30	0,41	0,47	0,68
Poids approximatif	kg	42,5	44,5	49,5	56	70
		MD9	MD12	TD8	TD9	TD12
Intensité absorbée nominale	A	15,3	23	5,2	7,4	9,6
Intensité absorbée maximale	A	20	30	8	9	12
Section minimale du câble*	mm ²	3 x 4	3 x 6	5 x 2,5		5 x 4
Puissance acoustique (max-min)	dB(A)	71	74	69	71	74
Pression acoustique à 10 m (max-min)	dB(A)	40	43	38	40	43
Débit d'eau recommandé	m ³ /h	8	11	7	8	11
Charge de fluide de frigorigène	kg	1,25	1,55	1,0	1,25	1,55
	Équiv. Tonne de CO ₂	0,84	1,05	0,68	0,84	1,05
Poids approximatif	kg	88,5	107	73,5	92	103

* Valeurs données à titre indicatif pour une longueur maximale de 20 mètres (base de calcul : NFC15-100), doivent être vérifiés et adaptés aux conditions de l'installation et aux normes du pays d'installation.

Dimensions



	A	B	C	D	E	F	G
MD3	646	823	339,5	590	375	300	93
MD4						260	103
MD5		906		593		330	
MD6	746	1103	359	790	395	350	93
MD8						367	
MD9						367	
MD12	846	1133	509,5	743	545	430	
TD8						430	
TD9						430	
TD12							



WARNHINWEISE



Diese Anleitung enthält nur grundlegende Informationen zu den Sicherheitsmaßnahmen, die bei der Installation, Wartung und Inbetriebnahme zu beachten sind. Die vollständige Anleitung kann auf der folgenden Website gelesen und als PDF-Datei heruntergeladen werden: www.zodiac.com. Alle Montage-, Elektroinstallations- und Wartungsarbeiten dürfen nur von qualifiziertem und autorisiertem Personal durchgeführt werden, das diese Anleitung sorgfältig gelesen hat. Wir behalten uns das Recht vor, die Eigenschaften unserer Produkte oder den Inhalt dieses Dokuments ohne vorherige Ankündigung ganz oder teilweise zu ändern.



ALLGEMEINE WARNHINWEISE

- Das Gerät ist für den bestimmungsgemäßen Gebrauch in Schwimmbädern und Whirlpools vorgesehen; es darf nicht für andere Zwecke als die, für die es bestimmt ist, verwendet werden.
- Die Nichtbeachtung der Warnhinweise kann zu schweren Schäden an der Schwimmbeckenausrüstung oder zu schweren oder tödlichen Verletzungen führen.
- Dieses Gerät ist nicht dafür bestimmt, von Personen (einschließlich Kindern) mit eingeschränkten physischen, sensorischen oder geistigen Fähigkeiten, mangelnder Erfahrung bzw. fehlendem Wissen benutzt zu werden, es sei denn, sie werden von einer für ihre Sicherheit verantwortlichen Person beaufsichtigt oder in die Benutzung des Geräts eingewiesen. Kinder müssen beaufsichtigt werden, um sicherzustellen, dass sie nicht mit dem Gerät spielen.
- Dieses Gerät kann von Kindern ab 8 Jahren und von Personen mit eingeschränkten physischen, sensorischen oder geistigen Fähigkeiten, mangelnder Erfahrung bzw. fehlendem Wissen benutzt werden, wenn sie beaufsichtigt oder in die sichere Benutzung des Geräts eingewiesen wurden und die damit verbundenen Gefahren verstehen. Kinder dürfen mit dem Gerät nicht spielen. Die Reinigung und Wartung durch den Benutzer darf nicht von unbeaufsichtigten Kindern durchgeführt werden.
- Das Gerät muss gemäß den Anweisungen des Herstellers und unter Einhaltung der lokalen und nationalen Vorschriften installiert werden.
- Unsere Produkte dürfen nur in Schwimmbädern zusammengebaut und installiert werden, die den Normen IEC/HD 60364-7-702 und den erforderlichen nationalen Vorschriften entsprechen. Die Installation muss der Norm CEI/HD 60364-7-702 und den erforderlichen nationalen Vorschriften für Schwimmbäder entsprechen. Wenden Sie sich an Ihren Fachhändler, um weitere Informationen zu erhalten.



WARNHINWEISE IN VERBINDUNG MIT ELEKTRISCHEN GERÄTEN

- Die Stromversorgung des Gerätes muss durch einen speziellen Fehlerstromschutzschalter von 30 mA geschützt werden, der den geltenden Normen und Vorschriften des Landes entspricht, in dem das Gerät installiert wird.
- Das Gerät verfügt nicht über einen elektrischen Schalter zur Abschaltung. Die Befestigungsverkabelung muss um eine Vorrichtung zur Trennung von der Stromversorgung ergänzt werden, die mindestens der Kategorie OVC III zugeordnet wird und den geltenden nationalen Gesetzen entspricht.
- Wenn das Netzkabel beschädigt ist, darf es nur durch den Hersteller, einen autorisierten Vertreter oder eine Reparaturwerkstatt ersetzt werden.



WARNHINWEISE ZU GERÄTEN, DIE KÄLTEMITTEL R32 ENTHALTEN



- Dieses Gerät enthält R32, ein Kältemittel der Kategorie A2L, das als potenziell entzündbar gilt.
- Lassen Sie das Fluid R32 nicht in Atmosphäre gelangen. Es handelt sich um ein fluoriertes Treibhausgas, das vom Kyoto-Protokoll gedeckt wird, mit einem Treibhauspotenzial (GWP) von 675 (EU-Verordnung Nr. 517/2014).
- Um die einschlägigen Umwelt- und Installationsnormen und -vorschriften, insbesondere den französischen Erlass Nr. 2015-1790 und/oder die EU-Verordnung 517/2014, einzuhalten, muss beim ersten Einschalten des Geräts und mindestens einmal jährlich eine Dichtheitsprüfung des Kühlsystems durchgeführt werden. Dieser Vorgang muss von einem zertifizierten Kühlgerätefachmann durchgeführt werden.
- Das Gerät im Freien installieren. Das Gerät nicht im Innenbereich oder in einem umschlossenen, nicht belüfteten Bereich installieren.
- Das Gerät muss in einem Raum ohne Funkenquelle im Dauerbetrieb gelagert werden (z. B. offene Flammen, Gasgerät im Betrieb oder elektrische Heizung im Betrieb).
- Weitere Informationen finden Sie in den Sicherheitsanweisungen für Geräte mit dem Gas R32 in der vollständigen Version der Anleitung, in der die Kontrolle der Standortbereiche, der Arbeitsablauf, der allgemeine Arbeitsbereich, die Überprüfung auf Vorhandensein von Kältemitteln, die Überprüfung auf Vorhandensein eines Feuerlöschers, die Abwesenheit von Funkenquellen, die Belüftung des Bereichs, die Überprüfung der Kühlgeräte, die Überprüfung der elektrischen Komponenten, die Reparatur an isolierten Komponenten, die Reparatur an intrinsischen Komponenten, die Verdrahtung, die Erkennung von entflammbarem Kältemittel, die Entfernung und Entsorgung, die Ladeverfahren und die Demontage erläutert werden.
- Es ist zu beachten, dass das Kältemittel R32 möglicherweise keinen Geruch aufweist.
- Verwenden Sie keine anderen Mittel zur Beschleunigung des Abtauprozesses oder zur Reinigung als die vom Hersteller empfohlenen.
- Nicht durchbohren oder verbrennen.



INSTALLATION UND WARTUNG

- Nur ein qualifizierter Fachmann in den betreffenden technischen Bereichen (Elektrik, Hydraulik, Kältetechnik) ist befugt, Installations-, Wartungs- oder Reparaturarbeiten am Gerät auszuführen.
- Das Gerät darf nicht in der Nähe von brennbarem Material oder dem Luftleitungseinlass eines angrenzenden Gebäudes aufgestellt werden.
- Bei der Wartung des Geräts müssen die Zusammensetzung des Wärmeübertragungsmittels sowie das Fehlen jeder Spur von Kältemittel überprüft werden.
- Beim jährlichen Dichtheitstest des Gerätes muss gemäß den geltenden Rechtsvorschriften sichergestellt werden, dass die Hoch- und Niederdruckschalter richtig am Kühlsystem befestigt sind und beim Auslösen den Stromkreis abschalten.
- Während der Wartungsarbeiten muss man sich vergewissern, dass keine Spuren von Korrosion oder Öl im Umkreis der Kühlkomponenten vorhanden sind.
- Vor Beginn von Arbeiten am Kühlsystem das Gerät ausschalten und einige Minuten warten, bevor die Temperatur- und Druckfühler montiert werden. Einige Teile, wie z. B. der Kompressor und die Rohrleitungen, können Temperaturen von über 100 °C und hohe Drücke erreichen, was zu schweren Verbrennungen führen kann.



WARNHINWEISE



KÄLTEMITTELSPEZIFIKATIONEN

Kontrolle des Bereichs

- Vor Beginn der Arbeiten an Anlagen, die brennbare Kältemittel enthalten, sind Sicherheitsüberprüfungen erforderlich, um sicherzustellen, dass die Gefahr von Funkenbildung gering ist.

Arbeitsverfahren

- Die Arbeiten müssen nach einem kontrollierten Verfahren durchgeführt werden, um das Risiko zu minimieren, dass während der Durchführung der Arbeiten entflammbare Gase oder Dämpfe vorhanden sind.

Allgemeiner Arbeitsbereich

- Das Wartungspersonal und andere im Bereich tätige Personen müssen über die Art der durchzuführenden Arbeiten informiert werden. Das Arbeiten in engen Räumen muss vermieden werden.

Kontrolle des Vorhandenseins von Kältemittel

- Der Bereich muss vor und während der Arbeit mit einem geeigneten Kältemitteldetektor überwacht werden, um sicherzustellen, dass der Techniker vor potenziell giftigen oder entflammbaren Atmosphären gewarnt wird. Sicherstellen, dass der verwendete Leckdetektor für die Verwendung mit allen anwendbaren Kältemitteln geeignet ist, d. h. er erzeugt keine Funken, ist ordnungsgemäß versiegelt oder eigensicher.

Kontrolle des Vorhandenseins eines Feuerlöschers

- Sollen Arbeiten mit Hitze am Kühlgerät oder an den zugehörigen Teilen durchgeführt werden, müssen geeignete Feuerlöscher leicht erreichbar sein. In der Nähe des Ladebereichs muss ein Pulver- oder CO₂-Feuerlöscher vorhanden sein.

Keine Zündquelle

- Es ist allen Personen, die Arbeiten an einem Kühlsystem durchführen, bei denen eine Rohrleitung freigelegt wird, untersagt, Zündquellen in einer Weise zu verwenden, die zu einer Brand- oder Explosionsgefahr führen kann. Alle möglichen Zündquellen, einschließlich Zigaretten, müssen ausreichend von der Installations-, Reparatur-, Demontage- und Entsorgungsstelle ferngehalten werden, wenn Kältemittel möglicherweise in die Umgebung freigesetzt werden kann. Vor Beginn der Arbeiten ist der Bereich um das Gerät herum auf Entzündungs- und Brandgefahr zu untersuchen. Es müssen Schilder mit „Rauchverbot“ angebracht werden.

Belüftung des Bereichs

- Bevor das Gerät in irgendeiner Weise für Wartungsarbeiten betreten wird, ist sicherzustellen, dass der Bereich offen und gut belüftet ist. Während der Wartung des Geräts muss eine ausreichende Belüftung gewährleistet sein, um eine sichere Dispersion des möglicherweise unbeabsichtigt in die Atmosphäre freigesetzten Kältemittels zu ermöglichen.

INFORMATIONEN FÜR PRODUKTE MIT KONNEKTIVITÄT (gemäß der RED-Richtlinie)

Konformitätserklärung

Hiermit erklärt Zodiac, dass die Funkausrüstung der PX25-Reihe der Richtlinie 2014/53/EU entspricht. Der vollständige Text der EU-Konformitätserklärung ist unter folgender Adresse abrufbar: <https://www.zodiac-poolcare.com/>.

1 Installation des Geräts

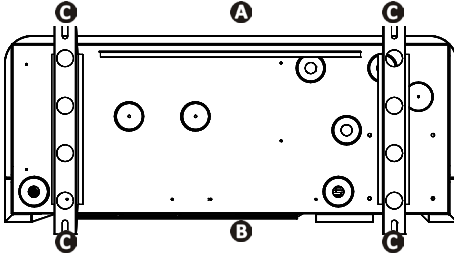


1 Installation



- Das Gerät muss im Freien aufgestellt werden, mindestens 2 m vom Rand des Schwimmbeckens entfernt.

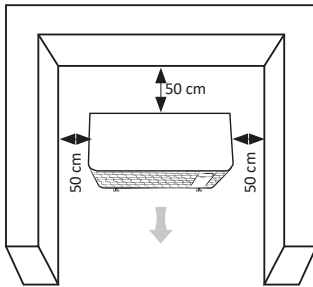
Das Gerät auf seine Antivibrationsfüße (im Lieferumfang des Gerätes enthalten) auf eine stabile, solide und ebene Fläche stellen.



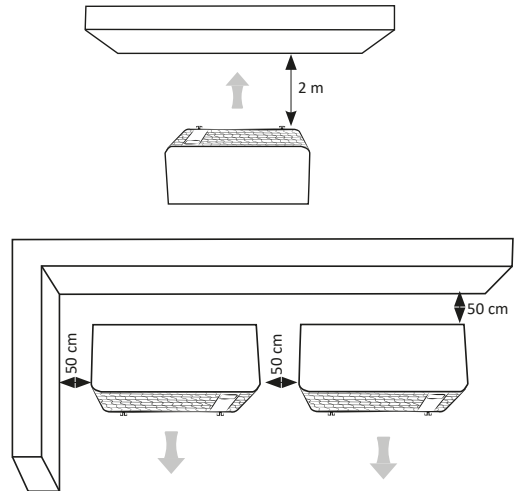
- A**: Vorne
- B**: Hinten
- C**: Antivibrationsfüße

Ansicht der Unterseite des Geräts zum Installieren der Antivibrationsfüße

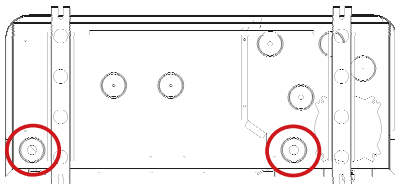
Den Anbringungsort wählen



Mindestabstände



Kondensat ableiten: Das Gerät mit den Antivibrationsfüßen um mindestens 10 cm anheben und die beiden Kondensatableitungen an den Öffnungen unter dem Boden des Geräts anbringen.



Im Online-Handbuch sind weitere Einzelheiten zu den Vorsichtsmaßnahmen bei der Installation und den hydraulischen Anschlüssen zu finden.

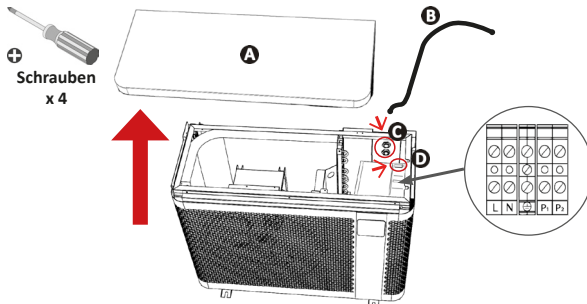


- Vor jedem Eingriff im Inneren des Geräts die Stromversorgung unterbrechen (Gefahr eines Stromschlags). Das Entfernen der Stromversorgung sollte so erfolgen, dass Sie von jedem Punkt aus, zu dem Sie Zugang haben, immer überprüfen können, ob die Stromversorgung weiterhin getrennt ist. Wenn dies nicht möglich ist, müssen Sie eine Abtrennung mit einem Verriegelungssystem vorsehen.
- Nur ein qualifizierter und erfahrener Techniker darf Verkabelungsarbeiten im Gerät durchführen oder das Netzkabel austauschen.
- Es ist darauf zu achten, dass die Klemmschrauben vollständig festgezogen sind (Brandgefahr). Falls die Klemmschrauben nicht ordnungsgemäß angezogen werden, erlöschen die Garantieansprüche.
- Die Stromversorgung nicht trennen, während das Gerät in Betrieb ist. Wenn die Stromversorgung unterbrochen wurde, eine Minute warten, bevor der Strom wieder eingeschaltet wird.

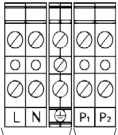


Das Gerät an die Stromversorgung und das Zubehör anschließen

Die obere Platte **A** mit einem Schraubendreher öffnen und entfernen (4 Schrauben), um an die elektrische Klemmleiste zu gelangen. **B** Das Stromkabel durch eine der Kabelverschraubungen **C** auf der Rückseite des Geräts führen. Im Gerät das Stromkabel befestigen, indem es durch den Kabelbinder **D** geführt wird.

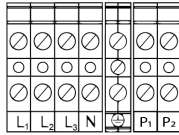


Das Stromkabel wie folgt an der Klemmleiste im Inneren des Geräts anschließen.



Anschluss an die Stromversorgung
Anschluss der Optionen (Filterpumpe, Stromversorgungsrelais).

Klemmleiste für einphasige Stromversorgung



Anschluss an die Stromversorgung
Anschluss der Optionen (Filterpumpe, Stromversorgungsrelais).

Klemmleiste für dreiphasige Stromversorgung

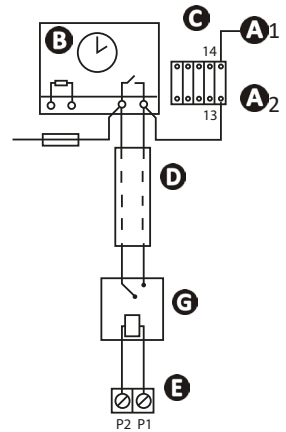
L: Spannung

N: Nullleiter



Erde

Anschluss der Heizungsriorität



A1 - A2: Stromversorgung für die Schaltspule des Leistungsschützes der Filterpumpe

B: Filtersteuerung

C: Schütz (zweipolig) für die Filterpumpe

D: Separates Kabel für die Funktion „Heizungspriorität“ (nicht im Lieferumfang enthalten)

E: Klemmleiste der Heizungspumpe

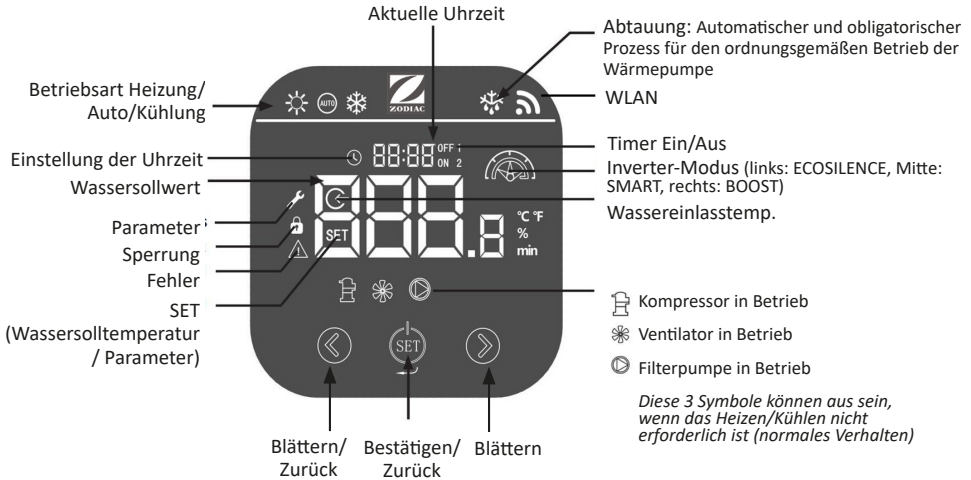
F: Schmelzsicherung

G: Relais mit potentialfreiem Kontakt/ 230 V (nicht im Lieferumfang enthalten)

Verkabelung und Kabelschutz

Modell	Stromversorgung	Max. Stromstärke	Kabeldurchmesser*	Magnetische Wärmeschutzschaltung (D-Kurve)
MD3	220 - 240V 1 Phase 50-60 Hz	8	RO2V 3x2,5 mm ²	16 A
MD4		9		16 A
MD5		13		16 A
MD6		16		20 A
MD8		19		20 A
MD9		20		25 A
MD12		30	RO2V 3x6 mm ²	32 A
TD8	380 - 400V 3 Phase 50-60 Hz	8	RO2V 5x2,5 mm ²	10 A
TD9		9		10 A
TD12		12		RO2V 5x4 mm ²

* Kabelquerschnitt geeignet für Kabel mit einer Länge von bis zu 10 Metern. Bei größeren Längen ist ein Elektriker hinzuzuziehen.



Symbole

Symbole		Betriebsart	Beschreibung
	Heizung	ECOSILENCE	Betrieb mit reduzierter Leistung für mehr Energieeinsparungen und einen minimalen Geräuschpegel. Ideal zur Aufrechterhaltung der Temperatur, wenn die Außenlufttemperatur hoch ist.
		SMART	Automatische Anpassung der Leistung an den Bedarf. Wechselt automatisch zwischen den Betriebsarten ECOSILENCE und BOOST.
		BOOST	Betrieb mit maximaler Leistung für schnelles Aufheizen. Ideal zu Beginn der Badesaison, um die Temperatur zu erhöhen oder zu halten, wenn die Außenluft kalt ist.
	Heizung/ Kühlung (empfohlene Betriebsart)	SMART	Die Wärmepumpe wählt automatisch die am besten geeignete Betriebsart entsprechend der Solltemperatur.
	Kühlung	ECOSILENCE	Das Schwimmbecken mit reduzierter Leistung kühlen, um mehr Energie zu sparen und den Geräuschpegel zu minimieren.
		SMART	Automatische Anpassung der Leistung an den Bedarf. Wechselt automatisch zwischen den Betriebsarten ECOSILENCE und BOOST.
		BOOST	Das Schwimmbecken mit maximaler Leistung kühlen, für eine schnelle Kühlung.

**Tastatur sperren/entsperren**

3 Sekunden

**Uhrzeit einstellen**

2-mal drücken.



blinkt.



Drücken, um die Stunden einzustellen



Zum Ändern drücken.



Zum Bestätigen drücken. Erneut auf SET drücken, um die Minuten einzustellen.



1 s drücken, um zu bestätigen und zum Hauptbildschirm zurückzukehren.

**Den Temperatursollwert einstellen**

Die Tastatur entsperren (3 s)

Überprüfen, ob der Kompressor funktioniert: das Symbol für die Betriebsart erscheint.



Die Temperatur ändern. Das Symbol für die Betriebsart blinkt.


Empfohlene Temperatur:
28 °C
Max. Temperatur: 32 °C**Die Betriebsarten auswählen**

Die Wärmepumpe verfügt über 4 Betriebsarten zum Heizen/Kühlen, um ihre Betriebsgeschwindigkeit an die benötigte Leistung und die gewählte Betriebsart anzupassen:

- Betriebsart „BOOST“
- Betriebsart „SMART“
- Betriebsart „ECOSILENCE“
- Betriebsart „Auto“ (empfohlen)



Die Tastatur entsperren (3 s). Anschließend auf SET drücken.

Die Anzeige  erscheint.

In den verfügbaren Betriebsarten navigieren.



Zum Bestätigen drücken. Zum Starten 2 s drücken.

**Die Wärmepumpe deaktivieren**

Die Tastatur entsperren (3 s).



2 s drücken. Die Pumpe schaltet sich nach einigen Minuten aus.



Das Symbol verschwindet, wenn der Kompressor nicht in Betrieb ist.



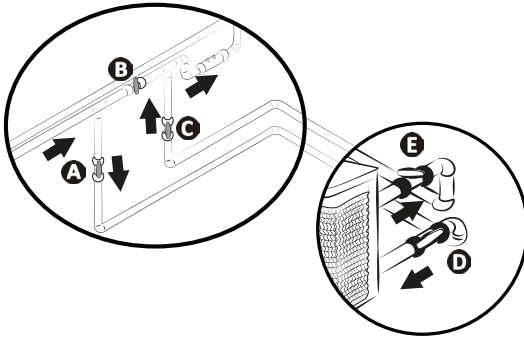
2 s drücken, um den Kompressor wieder einzuschalten.




Im Online-Handbuch sind weitere Einzelheiten zu den Betriebsarten und den Timern zu finden.



Den Hydraulikkreis öffnen

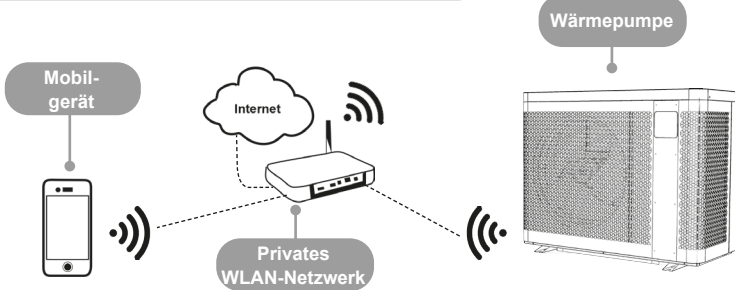


ACHTUNG: Eine falsche Einstellung des Bypasses kann eine Betriebsstörung der Wärmepumpe verursachen.

- Ventil B allmählich schließen.
- Die Ventile A, C und D vollständig öffnen. Das Ventil E halb öffnen (die im Kondensator und im Filterkreislauf eingeschlossene Luft entweicht). Wenn die Ventile D und E nicht vorhanden sind, das Ventil A vollständig öffnen und das Ventil C halb schließen.
- Die Stromversorgung an die Wärmepumpe anschließen.
- Wenn sich die Wärmepumpe im Stand-by Modus befindet, 3 Sekunden auf  drücken: Die Uhrzeit einstellen und eine Betriebsart auswählen.
- Die gewünschte Temperatur einstellen.



Die Verbindung mit der Fluidra Pool-App herstellen



Die Wärmepumpe kann von einem Smartphone oder Tablet aus über die Fluidra Pool-App für iOS- und Android-Systeme ferngesteuert werden. Vor der Herstellung der Verbindung mit der Fluidra Pool-App sind folgende Maßnahmen zu ergreifen:

- Ein WLAN-kompatibles Smartphone oder Tablet verwenden.
- Bei der Verbindung mit der Wärmepumpe ein WLAN-Netzwerk mit einem ausreichend starken Signal verwenden: Das WLAN-Signal muss an dem Ort empfangbar sein, an dem das Gerät eingesetzt wird. Andernfalls muss eine technische Lösung zur Verstärkung des bestehenden Signals bereitgestellt werden.
- In der Nähe des Gerätes bleiben und das Passwort des privaten WLAN-Netzwerks bereithalten.

Die Fluidra Pool-App herunterladen (QR-Code auf der Rückseite des Geräts)



„SET“ blinkt

Die App öffnen und die in der App beschriebenen Schritte befolgen, um die Wärmepumpe hinzuzufügen.



Einwinterung



2 s gedrückt halten,
um das Gerät
auszuschalten

Die
Stromversorgung
für mindestens
3 Minuten
unterbrechen

Das Ventil B öffnen.
Die Ventile A und
C schließen und
die Ventile D und E
öffnen (ggf.)

Wasser aus dem
Kondensator
ablassen, um
Frostgefahr zu
vermeiden

Die Hülle für die Einwinterung
aufsetzen

- Im Fall einer vollständigen Einwinterung des Schwimmbeckens (vollständige Ausschaltung des Filtersystems, Entleerung des Filterkreislaufs oder Entleerung des Schwimmbeckens): die beiden Steckverbinder mit einer Drehung wieder anbringen, um zu verhindern, dass Fremdkörper in den Kondensator eindringen.
- Im Fall einer Einwinterung der Wärmepumpe allein (nur die Heizung wird ausgeschaltet, die Filtration funktioniert weiterhin): die Steckverbinder nicht festziehen, sondern die 2 (mitgelieferten) Stopfen an den Wasserzu- und -rücklauf des Kondensators hinzufügen.
- Die Hülle für die Einwinterung (im Lieferumfang enthalten) über die Wärmepumpe ziehen und dabei die hydraulischen Anschlüsse durch die dafür vorgesehene Öffnung führen. Es ist nicht notwendig, die hydraulischen und elektrischen Anschlüsse zu trennen.



- Die Einwinterung ist wichtig, um einen Bruch des Kondensators durch Frost zu verhindern (Frost ohne Einwinterung ist nicht durch die Garantie abgedeckt).
- Um zu verhindern, dass das Gerät durch die Kondensate beschädigt wird, das Gerät nicht vollständig abdecken und die im Lieferumfang enthaltene Hülle für die Einwinterung verwenden.



Wartung

- Sicherstellen, dass das Lüftungsgitter nicht durch Fremdkörper verstopft ist.
- Den Verdampfer mit einer weichen Bürste und einem Strahl frischen Wassers reinigen (Stromkabel abziehen).
- Das Kondensatablaufrohr reinigen, um die Verunreinigungen, die es verstopfen könnten, zu entfernen.
- Sicherstellen, dass das Lüftungsgitter der Schaltbox sauber ist.
- Keinen Hochdruckreiniger verwenden. Nicht mit Regenwasser, Salzwasser oder mineralhaltigem Wasser sprühen.
- Das Gerät von außen reinigen; keine lösungsmittelhaltigen Produkte verwenden. Es kann ein als Zubehör erhältliches spezielles Reinigungsset verwendet werden: das PAC NET.




- Die Stromversorgung nicht trennen, während das Gerät in Betrieb ist. Wenn die Stromversorgung unterbrochen wurde, eine Minute warten, bevor die Stromzufuhr des Geräts wieder eingeschaltet wird.
- Vor der Durchführung von Wartungs-, Fehlerbehebungs- oder Reparaturarbeiten wird empfohlen, die WLAN-Verbindung des Modems zu deaktivieren, um jegliches Risiko einer Fernsteuerung des Geräts zu vermeiden.
- Es wird empfohlen, das Gerät mindestens einmal pro Jahr einer allgemeinen Wartung zu unterziehen, um einen einwandfreien Betrieb zu gewährleisten, die Leistungsniveaus zu erhalten und eventuell bestimmte Ausfälle zu vermeiden. Diese Arbeiten werden auf Kosten des Benutzers von einem Techniker durchgeführt.







Im Online-Handbuch sind weitere Einzelheiten zu den Sicherheitshinweisen für das Kältemittel R32 und zu den Wartungsarbeiten, die von einem qualifizierten Techniker durchgeführt werden müssen, zu finden.



- Bevor Sie sich an den Händler wenden, führen Sie diese einfachen Kontrollen durch, falls Probleme auftreten sollten. Wenn das Problem dadurch nicht behoben wird, wenden Sie sich an Ihren Händler.
-  : Die Maßnahmen dürfen nur von einem qualifizierten Techniker durchgeführt werden.

Verhalten des Geräts

Das Gerät beginnt nicht sofort zu heizen	<ul style="list-style-type: none"> • Wenn der Wasserdurchsatz Null oder unzureichend ist, wird das Gerät gestoppt: Prüfen Sie, dass das Wasser korrekt im Gerät zirkuliert und dass die hydraulischen Anschlüsse richtig sind. • Das Gerät wird gestoppt, wenn die Außentemperatur unter -7 °C sinkt.
Aus dem Gerät tritt Wasser aus	<ul style="list-style-type: none"> • Wenn Sie prüfen möchten, ob das Wasser aus einer Leckage des Schwimmbeckenkreislaufs am Gerät stammt, schalten Sie das Gerät aus und lassen Sie die Filterpumpe laufen, um das Wasser im Gerät zirkulieren zu lassen. Wenn weiterhin Wasser aus den Kondensatablaufrohren fließt, hat das Gerät eine Leckage. Wenden Sie sich bitte an Ihren Fachhändler.
Der Verdampfer ist eingefroren	<ul style="list-style-type: none"> • Das Gerät wird gleich einen Abtauzyklus starten, um das Eis abzutauen. • Wenn es das Gerät nicht schafft, seinen Verdampfer abzutauen, schaltet es sich automatisch aus; das bedeutet, dass die Außentemperatur zu niedrig ist (unter -7 °C).
Das Gerät „raucht“	<ul style="list-style-type: none"> • Wenn sich das Gerät nicht in seinem Abtauzyklus befindet, ist das nicht normal. Schalten Sie das Gerät unverzüglich aus, ziehen Sie den Stecker und wenden Sie sich an Ihren Fachhändler.
Das Gerät funktioniert nicht	<ul style="list-style-type: none"> •  Wenn nichts angezeigt wird, prüfen Sie die Versorgungsspannung und die Schmelzsicherung F1. • Wenn der Wasserdurchsatz Null oder unzureichend ist, wird das Gerät gestoppt: Prüfen Sie, dass das Wasser korrekt im Gerät zirkuliert.
Der Ventilator funktioniert, aber der Kompressor stoppt regelmäßig und ohne Fehlermeldung	<ul style="list-style-type: none"> • Wenn die Außentemperatur niedrig ist, führt das Gerät Abtauzyklen durch. • Das Gerät schafft es nicht, genügend Wärmeenergie (Kalorien) aufzunehmen, weil sein Verdampfer verschmutzt ist. Reinigen Sie den Verdampfer, um die Leistung wiederherzustellen.
Das Gerät funktioniert, aber die Wassertemperatur steigt nicht an	<ul style="list-style-type: none"> • Die Betriebsart ist nicht leistungsstark genug. Wechseln Sie in die Betriebsart „BOOST“ und schalten Sie die Filterung auf manuell rund um die Uhr, damit die Temperatur steigt. • Prüfen Sie, dass die automatische Wassernachspeisung nicht in offener Stellung blockiert ist. Dadurch würde ständig kaltes Wasser ins Schwimmbecken fließen und einen Temperaturanstieg verhindern. • Der Wärmeverlust ist zu groß, denn die Luft ist zu kühl. Bedecken Sie das Schwimmbecken mit einer isothermischen Abdeckung. • Das Gerät schafft es nicht, genügend Wärmeenergie (Kalorien) aufzunehmen, weil sein Verdampfer verschmutzt ist. Reinigen Sie den Verdampfer, um die Leistung wiederherzustellen. •  Prüfen Sie, ob das Gerät für dieses Schwimmbecken und seine Umgebung die richtige Größe hat.
Das Gerät löst den Schutzschalter aus	<ul style="list-style-type: none"> •  Prüfen Sie, ob der Schutzschalter korrekt bemessen ist und ob der verwendete Kabelquerschnitt korrekt ist. •  Die Spannung der Stromversorgung ist zu schwach. Wenden Sie sich an Ihren Stromversorger.



Im Online-Handbuch sind weitere Details zur Anzeige von Fehlercodes, und zu den Schaltplänen zu finden.



Leistungen: Luft bei 26 °C / Wasser bei 26 °C / Luftfeuchtigkeit 80 %

		MD3	MD4	MD5	MD6	MD8
Abgegebene Leistung (max. - min. Geschwindigkeit)	kW	7,0 - 2	9,5 - 2,3	13,0 - 2,4	15,0 - 2,5	19,0 - 7,5
Aufgenommene Leistung (max. - min. Geschwindigkeit)	kW	1,1 - 0,15	1,4 - 0,2	2,0 - 0,1	2,5 - 0,15	3,5 - 0,6
Mittlerer COP (max. - min. Geschwindigkeit)		6,5 - 13,4	6,7 - 13,5	6,5 - 16,4	6,0 - 16,3	5,6 - 12,5
		MD9	MD12	TD8	TD9	TD12
Abgegebene Leistung (max. - min. Geschwindigkeit)	kW	24,0 - 6,7	31,0 - 9,2	19,0 - 7,5	24,0 - 6,7	31,0 - 9,2
Aufgenommene Leistung (max. - min. Geschwindigkeit)	kW	4,5 - 0,5	5,6 - 0,7	3,5 - 0,6	4,5 - 0,5	5,6 - 0,7
Mittlerer COP (max. - min. Geschwindigkeit)		5,4 - 13,7	5,4 - 13,2	5,6 - 12,5	5,4 - 13,7	5,4 - 13,2

Technische Spezifikationen

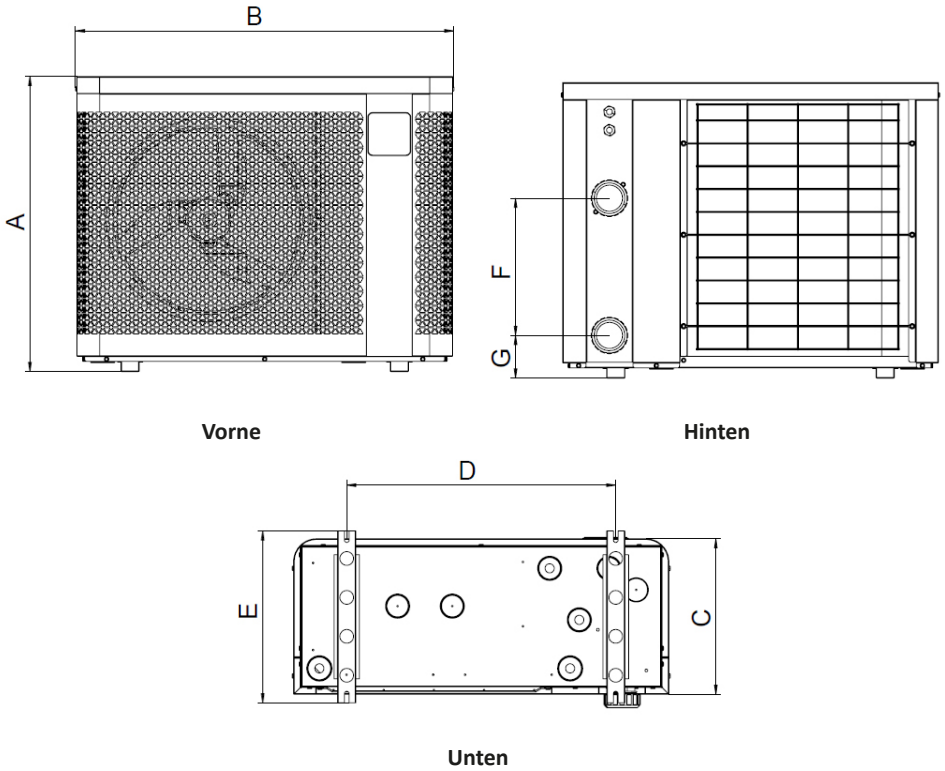
Betriebstemperatur	Luft	-7 bis 43 °C
	Wasser	In der Betriebsart „Heizung“: 15 bis 40 °C In der Betriebsart „Kühlung“: 8 bis 28 °C
Betriebsdruck	Kältemittel	0,5 bis 42 bar (0,05 bis 4,2 MPa)
	Wasser	0 bis 2 bar (0 bis 0,2 MPa)
Stromversorgung		220 - 240 V / 1 Phase / 50-60 Hz 380 - 400 V / 3 Phasen / 50-60 Hz (nur bei TD8, TD9, TD12)
Zulässige Spannungsabweichung		± 6 % (während des Betriebs)
Hydraulische Anschlüsse		2 x PVC-Klebeversraubungen Ø 50
Art des Kältemittels		R32
Schutzart		IPX4
Frequenzbereiche	GHz	2,400 - 2,497
Hochfrequenz-Sendeleistung	dBm	+19,5
Installationsort		außen

Technische Spezifikationen

		MD3	MD4	MD5	MD6	MD8
Nominale Stromaufnahme	A	4,7	6	8,4	10,7	14
Maximale Stromaufnahme	A	8	9	13	16	19
Mindestkabelquerschnitt*	mm ²	3 x 2,5			3 x 4	
Schallleistung (max-min)	dB(A)	62-50	65-52		67-54	69
Schalldruck in einer Entfernung von 10 m (max-min)	dB(A)	31-19	34-21		36-23	38
Empfohlener Wasserdurchsatz	m ³ /h	3	4	5	6	7
Füllmenge vom Kältemittel	kg	0,3	0,45	0,6	0,7	1,0
	Äquiv. Tonne CO ₂	0,20	0,30	0,41	0,47	0,68
Ungefähres Gewicht	kg	42,5	44,5	49,5	56	70
		MD9	MD12	TD8	TD9	TD12
Nominale Stromaufnahme	A	15,3	23	5,2	7,4	9,6
Maximale Stromaufnahme	A	20	30	8	9	12
Mindestkabelquerschnitt*	mm ²	3 x 4	3 x 6	5 x 2,5		5 x 4
Schallleistung (max-min)	dB(A)	71	74	69	71	74
Schalldruck in einer Entfernung von 10 m (max-min)	dB(A)	40	43	38	40	43
Empfohlener Wasserdurchsatz	m ³ /h	8	11	7	8	11
Füllmenge vom Kältemittel	kg	1,25	1,55	1,0	1,25	1,55
	Äquiv. Tonne CO ₂	0,84	1,05	0,68	0,84	1,05
Ungefähres Gewicht	kg	88,5	107	73,5	92	103

* Richtwerte für eine maximale Länge von 20 Metern (Berechnungsgrundlage: NFC15-100), müssen entsprechend den Installationsbedingungen und den am Installationsort geltenden Normen geprüft und angepasst werden.

Abmessungen



	A	B	C	D	E	F	G
MD3	646	823	339,5	590	375	300	93
MD4						260	103
MD5		906		593		330	
MD6	746	1103	359	790	395	350	93
MD8						367	
MD9						430	
MD12	846	1133	509,5	743	545	367	
TD8						430	
TD9						430	
TD12							



ADVERTENCIAS



Este manual solo contiene información básica sobre las medidas de seguridad que deben adoptarse durante la instalación, el mantenimiento y la puesta en marcha. El manual completo puede leerse y descargarse en formato PDF en el sitio web: www.zodiac.com. Todos los trabajos de montaje, instalación eléctrica y mantenimiento deben ser realizados por personal cualificado y autorizado que haya leído atentamente este manual. Nos reservamos el derecho de modificar total o parcialmente las características de nuestros productos o el contenido de este documento sin previo aviso.



ADVERTENCIAS GENERALES

- El aparato está destinado a ser utilizado en piscinas y spas para un fin específico; no debe utilizarse para fines distintos de aquellos para los que ha sido diseñado.
- El incumplimiento de las advertencias puede causar graves daños al equipo de la piscina o lesiones graves o mortales.
- Este aparato no debe ser utilizado por personas (incluidos niños) con una discapacidad física, sensorial o mental o que no dispongan de la experiencia y el conocimiento adecuados, salvo si se utiliza bajo la supervisión o las instrucciones de una persona responsable de su seguridad. Los niños deben estar vigilados en todo momento para asegurarse de que no jueguen con el aparato.
- Este aparato puede ser utilizado por niños mayores de 8 años o personas con una discapacidad física, sensorial o mental o que no dispongan de la experiencia y el conocimiento adecuados siempre que lo hagan bajo la supervisión de una persona responsable de su seguridad y que hayan comprendido las normas de uso del aparato y conozcan los riesgos asociados. Los niños no deben en ningún momento jugar con el aparato. La limpieza y el mantenimiento del usuario no deben ser realizados por niños sin vigilancia.
- La instalación del aparato debe ser realizada de acuerdo con las instrucciones del fabricante y cumpliendo las normas locales vigentes.
- Los productos Zodiac solo deben montarse e instalarse en piscinas que cumplan las normas IEC/HD 60364-7-702 y los requisitos nacionales aplicables. La carga del aparato debe respetar las especificaciones de la norma IEC / HD 60364-7-702 y las normativas nacionales aplicables para piscinas. Para más información, contacte con el distribuidor local.



ADVERTENCIAS SOBRE APARATOS ELÉCTRICOS

- La alimentación eléctrica del aparato debe estar protegida por un disyuntor diferencial dedicado de 30 mA que cumpla con las normas y reglamentos vigentes en el país donde esté instalado.
- El equipo no incluye interruptor eléctrico de desconexión. Añada un dispositivo de desconexión de la alimentación en el cableado de fijación de al menos categoría OVC III, de conformidad con la legislación nacional aplicable.
- Si el cable de alimentación está dañado, solo debe ser reemplazado por el fabricante, un representante autorizado o un taller de reparación.



ADVERTENCIAS RELACIONADAS CON LOS APARATOS QUE CONTIENEN REFRIGERANTE R32



- Este aparato contiene R32, un refrigerante de categoría A2L y potencialmente inflamable.
- No expulse el fluido R32 a la atmósfera. Se trata de un gas fluorado de efecto invernadero, cubierto por el protocolo de Kioto, con potencial de calentamiento global (GWP) = 675 (directiva europea UE 517/2014).
- Para cumplir con las normas y los reglamentos en materia ambiental y de instalación, en concreto el Decreto n.º 2015-1790 y/o el Reglamento UE 517/2014, debe comprobarse una prueba de fugas en el circuito de refrigeración al poner en marcha el aparato por primera vez o al menos una vez al año. Esta operación debe ser realizada por un especialista certificado en aparatos de refrigeración.
- Instale el aparato en el exterior. No instale el aparato en el interior ni en un lugar cerrado y sin ventilación natural.
- El aparato se debe almacenar en un lugar alejado de toda fuente constante de ignición (p. ej.: llamas abiertas, aparato de gas encendido o calefacción eléctrica encendida).
- Para más información, consulte las instrucciones de seguridad para aparatos que contienen gas R32 en la versión completa del manual, donde se explica el control de las zonas del emplazamiento, el procedimiento de trabajo, la zona general de trabajo, la comprobación de la presencia de refrigerante, la comprobación de la presencia de un extintor, la ausencia de una fuente de chispas, la ventilación de la zona, la comprobación de los equipos de refrigeración, la comprobación de los componentes eléctricos, la reparación de los componentes aislados, la reparación de los componentes intrínsecos, el cableado, la detección de refrigerante inflamable, la retirada y eliminación, los procedimientos de carga y el desmontaje.
- El refrigerante R32 puede ser inodoro.
- No emplear métodos de aceleración del proceso de deshielo o de limpieza no recomendados por el fabricante.
- No perforar ni incinerar el aparato.



INSTALACIÓN Y MANTENIMIENTO

- Solo una persona cualificada en los ámbitos técnicos concernidos (electricidad, hidráulico o refrigerante) estará habilitada para realizar tareas de mantenimiento o de reparación de este aparato
- El aparato no debe instalarse cerca de materiales combustibles o de la entrada de conductos de aire de un edificio adyacente.
- Durante la limpieza del aparato, hay que controlar la composición y el estado del fluido térmico, así como la ausencia de restos de líquido refrigerante.
- Durante el control anual de estanqueidad del aparato, según la normativa vigente, se debe comprobar que los presostatos de alta y baja presión están bien conectados al circuito frigorífico y que cortan el circuito eléctrico en caso de dispararse.
- Durante el mantenimiento, compruebe que no hay restos de corrosión ni de aceite alrededor de los componentes refrigerantes.
- Antes de iniciar cualquier trabajo en el circuito de refrigeración, apague el aparato y espere unos minutos antes de montar los sensores de temperatura y presión. Ciertos componentes, como el compresor y las tuberías, pueden alcanzar temperaturas superiores a 100°C y presiones elevadas, con riesgo de quemaduras graves.



ADVERTENCIAS



CARACTERÍSTICAS DE REFRIGERANTE

Control de la zona

- Antes de comenzar a trabajar en sistemas que contienen refrigerantes inflamables, es necesario realizar controles de seguridad para reducir el riesgo de ignición.

Protocolo de trabajo

- El trabajo se debe realizar siguiendo un protocolo controlado para reducir el riesgo de liberación de gases o vapores inflamables durante las obras.

Zona de trabajo general

- El personal de mantenimiento y el resto de personas que trabajan en la zona aledaña deberán ser informados del trabajo realizado. Se debe evitar trabajar en espacios confinados.

Verificación de la presencia de refrigerante

- La zona debe comprobarse con un detector de refrigerante adecuado antes y durante el trabajo, para garantizar que se advierte al técnico de la existencia de atmósferas potencialmente tóxicas o inflamables. Asegúrese de que el equipo de detección de fugas utilizado se adapte al uso de todos los refrigerantes aplicables, es decir, que no pueda provocar chispas, esté bien aislado o sea totalmente seguro.

Control de la presencia de un extintor

- Para toda intervención en el equipo de refrigeración o en cualquier componente que requiera calor, habrá que tener siempre a mano un equipo de extinción de incendios apropiado. Cerca de la zona de carga debe haber un extintor de polvo o CO₂.

Ausencia de fuente de ignición

- Está prohibido que cualquier persona que realice trabajos en un sistema de refrigeración que impliquen la exposición de tuberías utilice fuentes de ignición de forma que pueda producirse un riesgo de incendio o explosión. Todas las fuentes de ignición, incluido un cigarrillo, deben mantenerse a una distancia segura de la zona de instalación, reparación, extracción o eliminación cuando el refrigerante pueda llegar a ser liberado en el área aledaña. Antes de iniciar cualquier intervención, hay que examinar el área circundante al equipo para asegurarse de que no haya peligro de incendios o chispas. Se deben colocar carteles de «Prohibido fumar».

Ventilación de la zona

- Antes de acceder a cualquier tarea de mantenimiento, asegúrese de que la zona esté abierta y bien ventilada. Debe mantenerse una ventilación adecuada durante el mantenimiento de la unidad para permitir la dispersión segura de cualquier refrigerante que pueda liberarse inadvertidamente a la atmósfera.

INFORMACIÓN PARA PRODUCTOS CON CONECTIVIDAD (de acuerdo con la directiva RED)

Declaración de conformidad

Zodiac declara por la presente que los equipos de radio de la gama PX25 cumplen la Directiva 2014/53/UE. El texto completo de la Declaración Europea de Conformidad está disponible en la siguiente dirección: <http://www.zodiac-poolcare.com/>.

1 Instalación del aparato

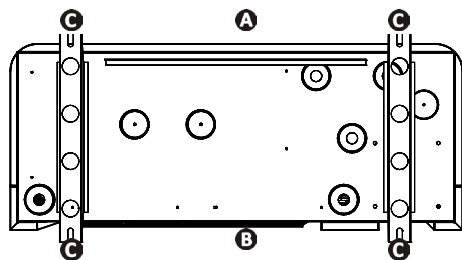


1 Instalación



- Hay que instalar el aparato en el exterior, a una distancia de al menos 2 metros del borde de la piscina.

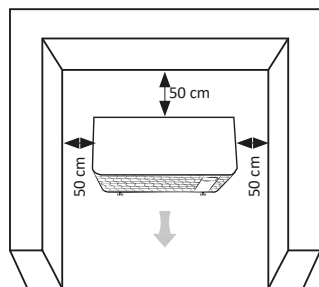
Coloque el aparato sobre los soportes antivibración (suministrados con el aparato) sobre una superficie estable, sólida y nivelada



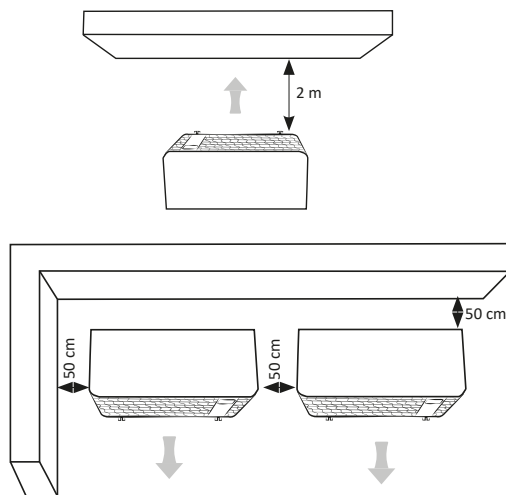
- A**: delante
- B**: detrás
- C**: soportes antivibración

Vista de la base del aparato desde abajo para instalar los soportes antivibración

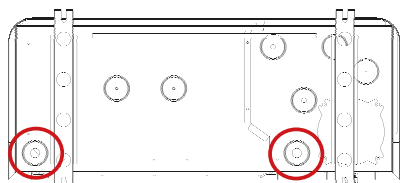
Seleccionar la ubicación



Distancia mínima



Drenaje del condensado: Eleve el aparato al menos 10 cm utilizando los soportes antivibración y coloque los dos tubos de drenaje del condensado en las aberturas situadas debajo de la base del aparato.



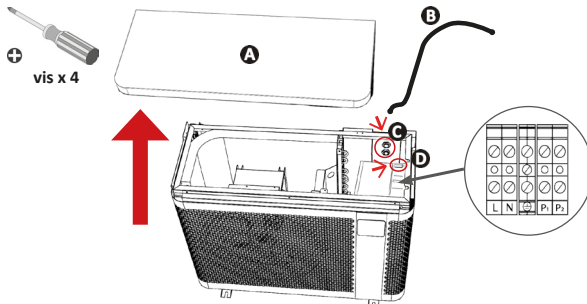
Consulte el manual en línea para obtener información detallada sobre las precauciones de instalación y las conexiones hidráulicas.



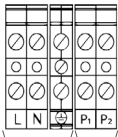
- Desconecte la alimentación eléctrica antes de realizar cualquier trabajo en el interior del aparato (riesgo de descarga eléctrica). La fuente de alimentación debe retirarse de forma que siempre pueda comprobar, desde cualquier punto al que tenga acceso, que la fuente de alimentación permanece retirada. Si esto no es posible, debe prever una desconexión con un sistema de bloqueo.
- Solo un técnico cualificado y con experiencia está habilitado para efectuar un cableado en el aparato o sustituir el cable de alimentación.
- Asegúrese de que los tornillos de los terminales estén bien apretados (riesgo de incendio). Los tornillos de los terminales sueltos anularán la garantía.
- No desconecte la fuente de alimentación con el aparato en marcha. Si se interrumpe la fuente de alimentación, espere un minuto antes de restablecer la corriente.

Conecte la unidad a la fuente de alimentación y los accesorios

Abra y retire el panel superior **A** con un destornillador (4 tornillos) para acceder al bloque de terminales eléctricos. **B** Inserte el cable de alimentación en uno de los prensaestopas situados **C** en la parte posterior del aparato. Fije el cable de alimentación en el aparato introduciéndolo a través de la abrazadera del cable **D**.

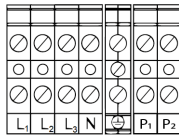


Conecte el cable de alimentación al terminal dentro del aparato como se indica a continuación:



Conexión a la fuente de alimentación

Conexión de opciones (bomba de filtración, relé de alimentación).



Conexión a la fuente de alimentación

Conexión de opciones (bomba de filtración, relé de alimentación).

L: Tensión

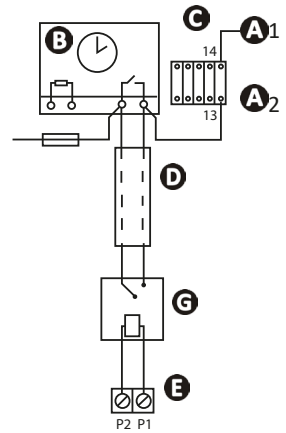
N: Neutro

Tierra

Terminal para alimentación monofásica

Terminal para alimentación trifásica

Conexión de la prioridad calefacción



A1- **A2**: Alimentación de la bobina del contactor de potencia de la bomba de filtración

B: reloj de filtración

C: Contactor (bipolar) para la bomba del filtro

D: Cable independiente para función «prioridad calefacción» (no suministrado)

E: Bloque de terminales de la bomba de calefacción

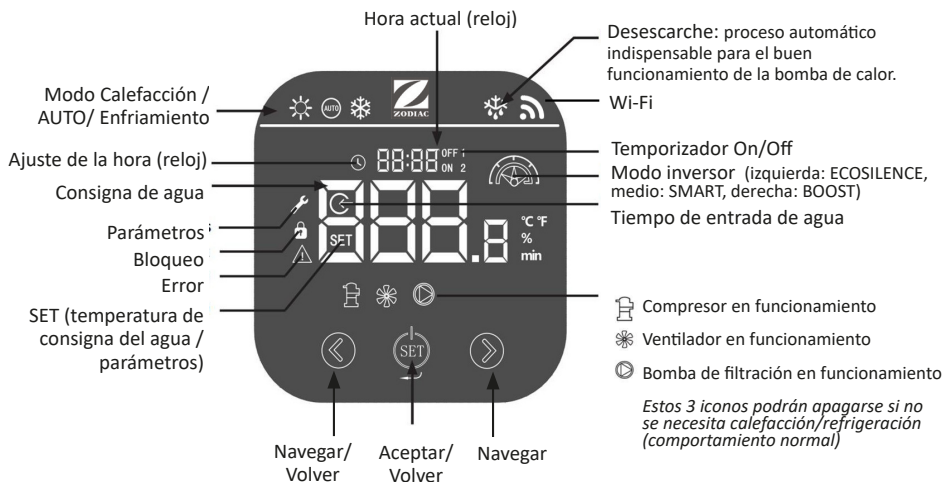
F: fusible

G: Relé de contacto seco/230 V (no suministrado)

Cableado y protección de cables

Modelo	Alimentación eléctrica	Máxima intensidad	Diámetro de cable*	Protección termomagnética (curva D)
MD3	220 - 240 V 1ª fase 50 - 60 Hz	8	RO2V 3x2,5 mm ²	16 A
MD4		9		16 A
MD5		13		16 A
MD6		16	RO2V 3x4 mm ²	20 A
MD8		19		20 A
MD9		20		25 A
MD12		30	RO2V 3x6 mm ²	32 A
TD8	380 - 400 V 3ª fase 50 - 60 Hz	8	RO2V 5x2,5 mm ²	10 A
TD9		9		10 A
TD12		12		RO2V 5x4 mm ²

* Sección de cable adecuada para cables de hasta 20 metros de longitud. Para cables más largos, consulte a un electricista.



Iconos

Modo		Descripción
	Calefacción	ECOSILENCE Funcionamiento a potencia reducida para un mayor ahorro de energía y un ruido mínimo. Ideal para mantener la temperatura cuando la temperatura del aire exterior es alta.
		SMART Ajuste automático de la potencia en función de las necesidades. Cambia automáticamente entre los modos ECOSILENCE y BOOST.
		BOOST Funcionamiento a potencia máxima para un calentamiento rápido. Ideal para el inicio de la temporada para subir o mantener la temperatura cuando el aire exterior es frío.
	Calefacción/ Enfriamiento (modo recomendado)	SMART La bomba de calor selecciona automáticamente el modo de funcionamiento más adecuado en función de la temperatura de consigna.
	Enfriamiento	ECOSILENCE Enfríe la piscina a potencia reducida para un mayor ahorro de energía y un ruido mínimo.
		SMART Ajuste automático de potencia en función de las necesidades. Cambia automáticamente entre los modos ECOSILENCE y BOOST.
		BOOST Enfríe la piscina a potencia máxima para un enfriamiento rápido.



Bloquear/desbloquear el teclado



3 segundos



Ajustar el reloj



Pulsar 2 veces.

El icono  parpadeará.



Pulse para ajustar las horas



Pulse para modificar.



Pulse para validar. Pulse en SET de nuevo para ajustar los minutos.



Mantenga pulsado durante 1 segundo para confirmar y volver a la pantalla principal.



Ajustar el punto de consigna de temperatura



Desbloquear el teclado (3 s)

Comprobar el funcionamiento del compresor:
aparece el icono del modo de funcionamiento.



Modificar la temperatura. El icono del modo de funcionamiento parpadeará.

Temperatura recomendada:
28 °C




Seleccionar modos de funcionamiento

La bomba de calor dispone de 4 modos de funcionamiento calefacción/refrigeración para adaptar su velocidad de funcionamiento a la potencia necesaria y al modo seleccionado:

- Modo «BOOST»
- Modo «SMART»
- Modo «ECOSILENCE»
- Modo «Auto» (recomendado)



Desbloquear el teclado (3 s).
Luego, pulse en SET.

Aparece el indicador .



Navegar en los modos disponibles.



Pulse para validar.
Pulse 2 s para cargar.



Apagar la bomba de calor



Desbloquear el teclado (3 s).



Pulse 2 s. La bomba se para al cabo de unos minutos.



El icono desaparece cuando el compresor no está en marcha.



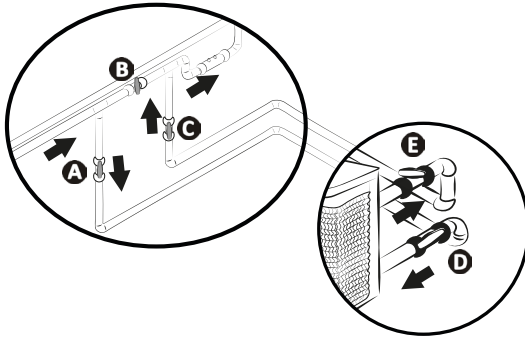
Pulse 2 s para volver a encender el compresor.




Consulte el manual en línea para obtener información detallada sobre los modos de funcionamiento y los temporizadores.



Abrir el circuito hidráulico

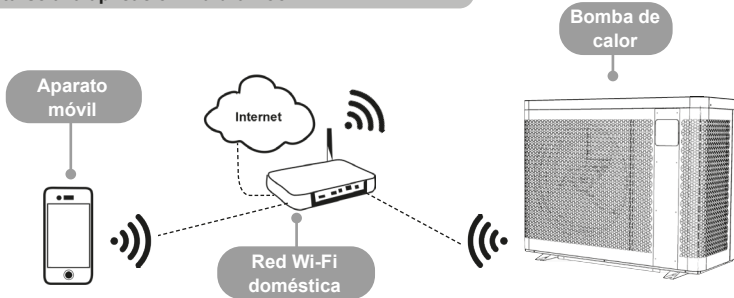


ATENCIÓN: Un mal ajuste del by-pass puede provocar un fallo de funcionamiento de la bomba de calor.

- Cierre la válvula B gradualmente.
- Abra totalmente las válvulas A, C y D. Abra la válvula E a la mitad (se vacía el aire acumulado en el condensador y el circuito de filtración). Si no están instaladas las válvulas D ni E, abra totalmente la válvula A y cierre a mitad la válvula C.
- Cortar la alimentación de la bomba de calor.
- Si la bomba de calor está en modo de espera, pulse  durante 3 segundos: Ajuste del reloj y selección del modo de funcionamiento.
- Ajustar la temperatura deseada.



Conectarse a la aplicación Fluidra Pool:



La bomba de calor se puede controlar de forma remota, desde un smartphone o una tableta, mediante la aplicación Fluidra Pool disponible en los sistemas iOS y Android. Antes de conectarse a Fluidra Pool, tenga en cuenta lo siguiente:

- Utilice un smartphone o una tableta con Wi-Fi.
- Utilice una red Wi-Fi con una señal lo bastante fuerte como para conectarse con la bomba de calor: la señal Wi-Fi se debe captar en el lugar donde se utiliza el aparato. Si no es así, hay que aportar una solución técnica para amplificar la señal existente.
- Manténgase cerca del aparato y tenga disponible la contraseña de la red Wi-Fi doméstica.

Descargue la aplicación Fluidra Pool (código QR en la parte trasera del aparato).



“SET” parpadeará

Abra la aplicación y siga los pasos descritos en la misma para añadir la bomba de calor.



Invernaje



Pulse y mantenga 2s para apagar el aparato

Desconecte de la fuente de alimentación durante 3 minutos mínimo

Abra la válvula B. Cierre las válvulas A y C y abra las válvulas D y E (si están instaladas)

Vacíe el agua del condensador para evitar riesgo de congelación

Ponga la funda de invernaje

- En el caso de invernaje completo de la piscina (parada total del sistema de filtración, purga del circuito de filtración, incluso vaciado de la piscina): apriete una vuelta las dos conexiones para evitar que entre cualquier cuerpo extraño en el condensador.
- En el caso de poner en invernaje únicamente la bomba de calor (se para la calefacción, pero la filtración sigue funcionando): no apriete de nuevo las conexiones; ponga 2 tapones (suministrados) en las entradas y salidas de agua del condensador.
- Ponga la funda de invernaje (incluida) en la bomba de calor pasando las conexiones hidráulicas por la abertura prevista para ello. No es necesario desconectar las conexiones hidráulicas y eléctricas.



- El invernaje será necesario para evitar que el condensador se averíe debido a las heladas (las heladas sin invernaje no están cubiertas por la garantía).
- Para evitar deteriorar el aparato con la condensación, no lo cubra totalmente y utilice la funda de invernaje incluida.



Mantenimiento

- Compruebe que la rejilla de ventilación no esté bloqueada por objetos extraños.
- Limpie el evaporador con un cepillo suave y un chorro de agua fresca (desconecte el cable de alimentación).
- Limpie el tubo de evacuación de condensados para eliminar las impurezas que pudieran obstruirlo.
- Asegúrese de que la rejilla de ventilación de la caja de interruptores esté limpia.
- No utilice un chorro de agua de alta presión. No pulverice agua de lluvia, salada o que contenga minerales.
- Limpie el exterior del aparato sin utilizar productos con disolventes. Puede utilizar un kit de limpieza especial como accesorio: PAC NET.



- No desconecte la fuente de alimentación con el aparato en marcha. Si se interrumpe la fuente de alimentación, espere un minuto antes de restablecer la corriente.
- Antes de cualquier operación de mantenimiento, resolución de averías o reparación, se recomienda desactivar la conexión Wi-Fi del router para evitar cualquier riesgo de control remoto del aparato.
- Es aconsejable realizar un mantenimiento general del aparato al menos una vez al año para garantizar su correcto funcionamiento, mantener sus prestaciones y, eventualmente, prevenir determinadas averías. Estas operaciones serán realizadas por un técnico a cargo del usuario.



Consulte el manual en línea para obtener más detalles sobre las instrucciones de seguridad relacionadas con el refrigerante R32 y sobre las tareas de mantenimiento que debe realizar un técnico cualificado.



- Antes de ponerse en contacto con el distribuidor, realice algunas comprobaciones sencillas en caso de problema. Si el problema persiste, contacte con el distribuidor.
- : Estas acciones deben ser realizadas por un técnico cualificado.

Comportamiento del aparato

<p>El aparato no se calienta inmediatamente.</p>	<ul style="list-style-type: none"> • Cuando no hay caudal de agua o es insuficiente, el aparato se para: compruebe que el agua circula correctamente en el aparato y que se han realizado bien las conexiones hidráulicas. • El aparato se para cuando la temperatura exterior es inferior a -7 °C.
<p>El aparato pierde agua</p>	<ul style="list-style-type: none"> • Para comprobar que el agua no proceda de una fuga del circuito de piscina en el aparato, detenga este último y active la bomba de filtración para que el agua circule por el aparato. Si el agua sigue saliendo por la evacuación de los condensados es que hay una fuga de agua en el aparato: contacte con el distribuidor.
<p>El evaporador está congelado</p>	<ul style="list-style-type: none"> • El aparato va a iniciar el ciclo de deshielo para fundir el hielo. • Si el aparato no logra descongelar el evaporador, se parará por sí solo. Esto ocurrirá cuando la temperatura exterior sea demasiado baja (inferior a -7°C).
<p>El aparato «echa humo»</p>	<ul style="list-style-type: none"> • Si el aparato no está en su ciclo de descongelación, esto no es normal. Apague y desconecte inmediatamente el aparato y contacte con su distribuidor.
<p>El aparato no funciona</p>	<ul style="list-style-type: none"> • Si no se ve nada, compruebe la tensión de alimentación y el fusible F1. • Cuando no hay caudal de agua o es insuficiente, el aparato se para: compruebe que el agua circula correctamente en el aparato.
<p>El ventilador funciona, pero el compresor se detiene de vez en cuando sin mensaje de error</p>	<ul style="list-style-type: none"> • Si la temperatura exterior es baja, el aparato realizará ciclos de deshielo. • El aparato no puede captar suficiente calor porque su evaporador está sucio. Límpiolo para restaurar su rendimiento.
<p>El aparato funciona pero la temperatura del agua no sube</p>	<ul style="list-style-type: none"> • El modo de funcionamiento no es lo suficientemente potente. Pase a modo «BOOST» y ajuste la filtración sobre 24/24 de forma manual para que la temperatura aumente. • Compruebe que la válvula de llenado automático no está bloqueada en posición abierta; de este modo, sigue suministrando agua fría a la piscina e impide que suba la temperatura. • Se pierde demasiado calor porque el aire está frío. Instale una cubierta con aislamiento térmico sobre la piscina. • El aparato no puede captar suficiente calor porque su evaporador está sucio. Límpiolo para restaurar su rendimiento. • Compruebe que el aparato tiene las dimensiones adecuadas para la piscina y su entorno.
<p>El aparato dispara el disyuntor</p>	<ul style="list-style-type: none"> • Compruebe que el tamaño del disyuntor sea adecuado y que la sección de cable utilizada sea correcta. • La tensión de alimentación es demasiado débil; contacte con su proveedor de electricidad.



Consulte el manual en línea para obtener información detallada sobre la visualización de códigos de error y los diagramas de cableado.



Rendimiento: aire a 26 °C / agua a 26 °C / humedad al 80 %

		MD3	MD4	MD5	MD6	MD8
Potencia restituida (velocidad máx./mín.)	kW	7,0 - 2	9,5 - 2,3	13,0 - 2,4	15,0 - 2,5	19,0 - 7,5
Potencia consumida (velocidad máx./mín.)	kW	1,1 - 0,15	1,4 - 0,2	2,0 - 0,1	2,5 - 0,15	3,5 - 0,6
Rendimiento medio (velocidad máx./mín.)		6,5 - 13,4	6,7 - 13,5	6,5 - 16,4	6,0 - 16,3	5,6 - 12,5
		MD9	MD12	TD8	TD9	TD12
Potencia restituida (velocidad máx./mín.)	kW	24,0 - 6,7	31,0 - 9,2	19,0 - 7,5	24,0 - 6,7	31,0 - 9,2
Potencia consumida (velocidad máx./mín.)	kW	4,5 - 0,5	5,6 - 0,7	3,5 - 0,6	4,5 - 0,5	5,6 - 0,7
Rendimiento medio (velocidad máx./mín.)		5,4 - 13,7	5,4 - 13,2	5,6 - 12,5	5,4 - 13,7	5,4 - 13,2

Especificidades técnicas

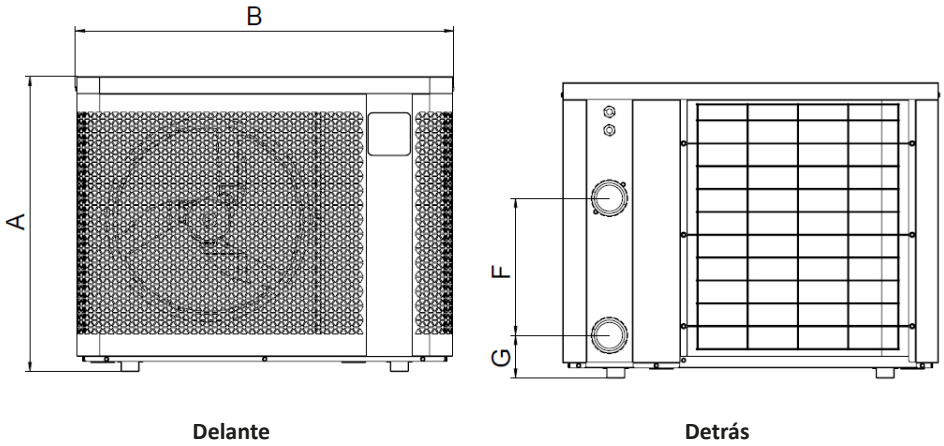
Temperatura de funcionamiento	Aire	de -7 a 43 °C
	Agua	En modo «calefacción»: 15 a 40 °C En modo «refrigeración»: 8 a 28 °C
Presión de funcionamiento	Refrigerante	de 0,5 a 42 bares (de 0,05 a 4,2 MPa)
	Agua	de 0 a 2 bares (de 0 a 0,2 MPa)
Alimentación eléctrica		220 - 240 V / 1ª fase / 50-60 Hz 380 - 400 V / 3 fase / 50-60 Hz (TD8, TD9, TD12 solo)
Variación de tensión admitida		± 6 % (durante el funcionamiento)
Conexiones hidráulicas		2 x racores PVC, 1/2 uniones Ø 50
Tipo de refrigerante		R32
Índice de protección		IPX4
Bandas de frecuencia	GHz	2,400 - 2,497
Potencia de transmisión por radiofrecuencia	dBm	+19,5
Lugar de instalación		En exterior

Especificidades técnicas

		MD3	MD4	MD5	MD6	MD8
Potencia absorbida nominal	A	4,7	6	8,4	10,7	14
Potencia absorbida máxima	A	8	9	13	16	19
Sección de cable mínima*	mm ²	3 x 2,5			3 x 4	
Potencia acústica (máx./mín.)	dB(A)	62-50	65-52		67-54	69
Presión acústica a 10 m (máx./mín.)	dB(A)	31-19	34-21		36-23	38
Caudal de agua recomendado	m ³ /h	3	4	5	6	7
Carga de refrigerante	kg	0,3	0,45	0,6	0,7	1,0
	Equiv. Tonelada de CO2	0,20	0,30	0,41	0,47	0,68
Peso aprox.	kg	42,5	44,5	49,5	56	70
		MD9	MD12	TD8	TD9	TD12
Potencia absorbida nominal	A	15,3	23	5,2	7,4	9,6
Potencia absorbida máxima	A	20	30	8	9	12
Sección de cable mínima*	mm ²	3 x 4	3 x 6	5 x 2.5		5 x 4
Potencia acústica (máx./mín.)	dB(A)	71	74	69	71	74
Presión acústica a 10 m (máx./mín.)	dB(A)	40	43	38	40	43
Caudal de agua recomendado	m ³ /h	8	11	7	8	11
Carga de refrigerante	kg	1,25	1,55	1,0	1,25	1,55
	Equiv. Tonelada de CO2	0,84	1,05	0,68	0,84	1,05
Peso aprox.	kg	88,5	107	73,5	92	103

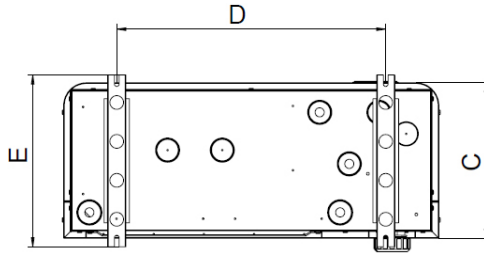
* Valores facilitados a título indicativo para una longitud máxima de 20 metros (base de cálculo: NFC15-100), se debe comprobar y adaptar según las condiciones de instalación y la normativa del país de instalación.

Dimensiones



Delante

Detrás



Parte inferior

	A	B	C	D	E	F	G
MD3	646	823	339,5	590	375	300	93
MD4						260	103
MD5		906		593		330	
MD6	746	1103	359	790	395	350	93
MD8						367	
MD9						430	
MD12	846	1133	509,5	743	545	367	
TD8						430	
TD9						430	
TD12							



AVVERTENZE



Questo manuale contiene solo informazioni di base sulle misure di sicurezza da adottare durante l'installazione, la manutenzione e la messa in servizio. Il manuale completo può essere letto e scaricato come file PDF sul sito web: www.zodiac.com. Tutti i lavori di montaggio, installazione elettrica e manutenzione devono essere effettuati da personale qualificato e autorizzato che ha letto attentamente questo manuale. Ci riserviamo il diritto di modificare totalmente o in parte le caratteristiche dei prodotti o il contenuto del presente documento senza preavviso.



AVVERTENZE GENERALI

- L'apparecchio è destinato a essere utilizzato nelle piscine e nelle Spa con uno scopo preciso; non deve essere utilizzato per scopi diversi da quelli per i quali è stato progettato.
- Il mancato rispetto delle avvertenze può danneggiare gravemente l'attrezzatura della piscina o comportare ferite gravi, se non addirittura il decesso.
- Questo apparecchio non è destinato a essere utilizzato da persone (bambini inclusi) con deficit fisici, sensoriali o mentali o prive di esperienza o conoscenza, eccetto se sotto sorveglianza oppure dopo che le stesse abbiano ricevuto istruzioni relative all'uso dell'apparecchio da una persona responsabile della loro sicurezza. Sorvegliare i bambini per assicurarsi che non giochino con l'apparecchio.
- Questo apparecchio può essere utilizzato da bambini di età superiore a 8 anni e da persone con deficit fisici, sensoriali o mentali o prive di esperienza e conoscenza purché attentamente sorvegliate o istruite su come utilizzare in modo sicuro l'apparecchio e sui pericoli che ciò comporta. I bambini non devono giocare con l'apparecchio. La pulizia e la manutenzione a cura dell'utilizzatore non devono essere effettuate dai bambini senza sorveglianza.
- L'apparecchio deve essere installato conformemente alle istruzioni del produttore e nel rispetto delle normative locali e nazionali.
- I nostri prodotti possono essere assemblati e installati unicamente in piscine conformi alle norme CEI/HD 60364-7-702 e ai requisiti nazionali. L'installazione deve essere conforme alla norma CEI/HD 60364-7-702 e alle norme nazionali richieste per le piscine. Consultare il rivenditore locale per maggiori informazioni.

AVVERTENZE ASSOCIATE AGLI APPARECCHI ELETTRICI

- L'alimentazione elettrica dell'apparecchio deve essere protetta da un interruttore differenziale dedicato da 30 mA conforme alle norme e alle regolamentazioni vigenti nel paese di installazione.
- L'apparecchiatura non include un commutatore elettrico che consenta di scollegarlo. Aggiungere un dispositivo di collegamento nel cablaggio di fissaggio di categoria almeno OVC III, conformemente alla legislazione nazionale applicabile.
- Se il cavo di alimentazione è danneggiato, deve essere sostituito solo dal fabbricante, da un rappresentante autorizzato o da un centro di riparazione.

AVVERTENZE RIGUARDANTI GLI APPARECCHI CONTENENTI REFRIGERANTE R32



- Questo apparecchio contiene refrigerante R32, un refrigerante di categoria A2L, considerato potenzialmente infiammabile.
- Non disperdere il fluido R32 nell'atmosfera. Si tratta di un gas fluorurato ad effetto serra, coperto dal protocollo di Kyoto, con un potenziale di riscaldamento globale (GWP) di 675 (regolamento europeo UE n° 517/2014).
- Nel rispetto delle norme e dei regolamenti pertinenti in materia ambientale e relativi all'installazione, nello specifico il decreto N° 2015-1790 e/o la regolamentazione europea UE 517/2014, deve essere effettuata una ricerca della presenza di perdite sul circuito di raffreddamento al momento del primo avviamento dell'apparecchio o almeno una volta l'anno. Questa operazione deve essere effettuata da un tecnico certificato degli apparecchi di raffreddamento.
- Installare l'unità all'esterno. Non installare l'unità all'interno o in uno spazio chiuso e non areato.
- L'apparecchio deve essere conservato in un locale privo di fonti di scintilla costantemente in funzione (ad esempio: fiamme all'aperto, apparecchio a gas in funzione o riscaldamento elettrico in funzione).
- Per maggiori informazioni, consultare le norme di sicurezza riguardanti gli apparecchi contenenti gas R32 nella versione integrale del manuale che spiega il controllo delle zone del sito, la procedura di lavoro, la zona di lavoro generale, la verifica della presenza di refrigerante, la verifica della presenza di un estintore, l'assenza di fonti di scintilla, la ventilazione della zona, la verifica dell'apparecchiatura di refrigerazione, la verifica dei componenti elettrici, la riparazione su componenti isolati, la riparazione dei componenti intrinseci, il cablaggio, il rilevamento del refrigerante infiammabile, la rimozione e lo smaltimento, le procedure di carica e lo smontaggio.
- Il refrigerante R32 può non emanare un odore tipico.
- Non utilizzare mezzi di accelerazione del processo di sbrinamento o di pulizia diversi da quelli raccomandati dal produttore.
- Non forare né incenerire.

INSTALLAZIONE E MANUTENZIONE

- Solo personale qualificato nei settori tecnici interessati (elettrico, idraulico o refrigerante) è abilitato ad eseguire lavori di installazione, di manutenzione o di riparazione dell'apparecchio
- L'apparecchio non va installato in prossimità di materiale combustibile o dell'entrata del condotto d'aria di un edificio adiacente.
- Durante la fase di manutenzione dell'apparecchio, controllare la composizione e lo stato del fluido termovettore e anche l'assenza di tracce di liquido di raffreddamento.
- Durante il test annuale di tenuta stagna dell'apparecchio, in conformità alla legislazione vigente, verificare che i pressostati alta e bassa pressione siano collegati correttamente al circuito refrigerante e che interrompano il circuito elettrico in caso di scatto.
- Durante gli interventi di manutenzione assicurarsi che non vi siano tracce di corrosione o di olio intorno ai componenti di raffreddamento.
- Prima di iniziare i lavori sul circuito di raffreddamento, arrestare l'apparecchio e attendere qualche minuto prima di montare i sensori di temperatura e di pressione. Alcuni elementi, come il compressore e la tubatura, possono raggiungere temperature superiori a 100 °C e pressioni elevate, con il rischio di ustioni gravi che ciò implica.



AVVERTENZE



SPECIFICHE DEL REFRIGERANTE

Controllo della zona

- Prima di iniziare a lavorare su sistemi che contengono refrigeranti infiammabili, è necessario effettuare dei controlli di sicurezza per garantire la riduzione del rischio di scintille.

Procedura di lavoro

- I lavori devono essere effettuati secondo una procedura controllata per ridurre al minimo il pericolo di presenza di gas o vapore infiammabili durante l'esecuzione dei lavori.

Zona di lavoro generale

- Il personale addetto alla manutenzione e le altre persone che lavorano nell'area devono essere informati della natura dei lavori da effettuare. Deve essere evitato il lavoro in spazi confinati.

Controllo della presenza di refrigerante

- La zona deve essere controllata con un rilevatore di refrigerante appropriato prima e durante il lavoro, per essere certi che il tecnico sia avvertito delle atmosfere potenzialmente tossiche o infiammabili. Accertarsi che l'apparecchio di rilevazione delle perdite utilizzato sia adatto a essere utilizzato con tutti i refrigeranti interessati, cioè non possa provocare scintille, sia correttamente sigillato o perfettamente sicuro.

Controllo della presenza di un estintore

- Se devono essere effettuati lavori che comportano calore sull'apparecchio di refrigerazione o su qualsiasi componente associato, un dispositivo antincendio appropriato deve trovarsi a portata di mano. Un estintore a polvere o a CO2 deve essere presente vicino alla zona di carica.

Assenza di sorgente di infiammazione

- È vietato a qualsiasi persona che effettua lavori su un sistema di refrigerazione che comporta l'esposizione della tubatura utilizzare sorgenti di infiammazione che potrebbero provocare un incendio o un'esplosione. Tutte le possibili sorgenti di infiammazione, comprese le sigarette, devono essere tenute a sufficiente distanza dal sito d'installazione, di riparazione, di rimozione e di eliminazione quando il refrigerante potrebbe essere liberato nello spazio circostante. Prima di procedere con i lavori, è necessario esaminare la zona intorno all'apparecchio per accertarsi dell'assenza di pericoli di infiammabilità o di infiammazione. Devono essere esposti dei cartelli "Vietato fumare".

Ventilazione della zona

- Prima di accedere in qualunque modo all'unità per effettuare la manutenzione, accertarsi che la zona sia aperta e correttamente ventilata. Durante la manutenzione dell'unità deve essere mantenuta una ventilazione adeguata per permettere la dispersione in sicurezza del refrigerante che potrebbe essere liberato inavvertitamente nell'atmosfera.

INFORMAZIONI PER I PRODOTTI CON CONNETTIVITÀ (secondo la direttiva RED)

Dichiarazione di conformità

Con la presente, Zodiac dichiara che l'apparecchiatura radio della gamma PX25 è conforme alla direttiva 2014/53/UE. Il testo integrale della dichiarazione di conformità europea è disponibile al seguente indirizzo: <https://www.zodiac-poolcare.com/>.

1 Installazione dell'apparecchio

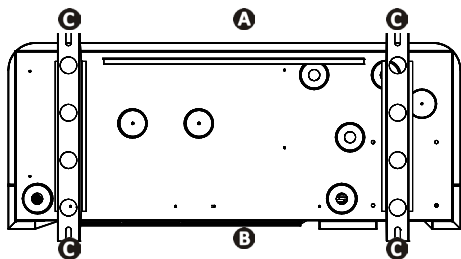


1
Installazione



- L'apparecchio va installato all'esterno, a almeno 2 metri di distanza dal bordo della piscina.

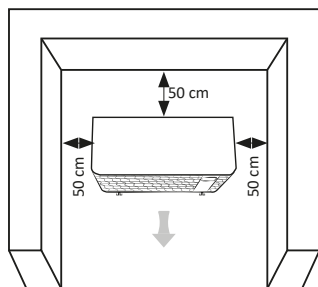
Poggiare l'apparecchio sugli elementi antivibranti (forniti con l'apparecchio) su una superficie stabile, solida e in piano



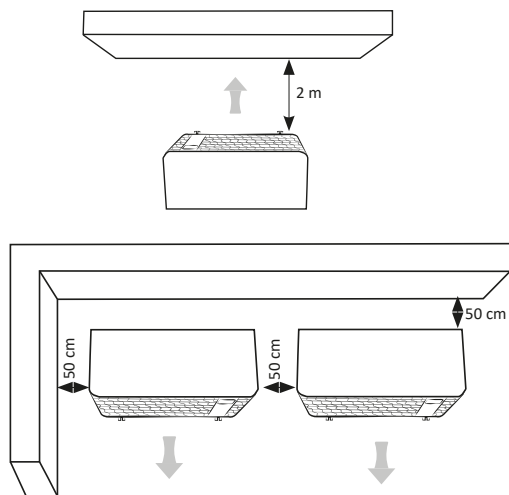
- A**: Davanti
- B**: Dietro
- C**: Elementi antivibranti

Vista della base dell'apparecchio da sotto per installare gli elementi antivibranti

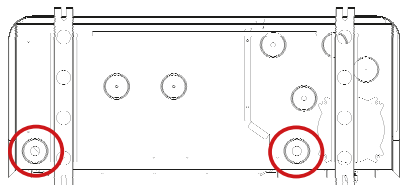
Scegliere l'ubicazione



Distanze minime



Evacuare le condense: Sollevare l'apparecchio di almeno 10 cm con gli elementi antivibranti e installare i due condotti di spurgo della condensa sulle aperture situate sotto la base dell'apparecchio.



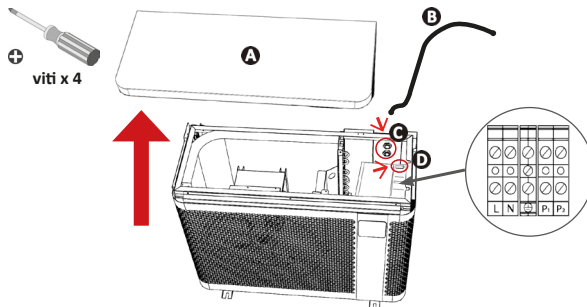
Consultare il manuale online per maggiori dettagli sulle precauzioni di installazione e i collegamenti idraulici.



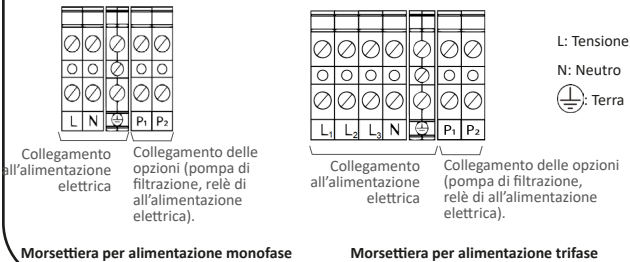
- Interrompere l'alimentazione elettrica prima di qualsiasi intervento all'interno dell'apparecchio (rischio di elettrocuzione). L'interruzione dell'alimentazione elettrica deve avvenire in maniera tale che sia possibile sempre verificare, a partire da qualsiasi punto di accesso, che l'all'alimentazione elettrica resti interrotta. Se ciò non è possibile, bisogna prevedere un'interruzione con un sistema di blocco.
- Il cablaggio dell'apparecchio o la sostituzione del cavo di alimentazione devono essere effettuati unicamente da un tecnico qualificato ed esperto.
- Accertarsi che le viti della morsettieria siano strette bene (pericolo di incendio). Viti del morsetto strette male annulleranno la garanzia.
- Non scollegare l'alimentazione elettrica quando l'apparecchio è in funzione. Se l'all'alimentazione elettrica è interrotta, attendere qualche minuto prima di ripristinare la corrente.

Collegare l'unità all'alimentazione elettrica e agli accessori

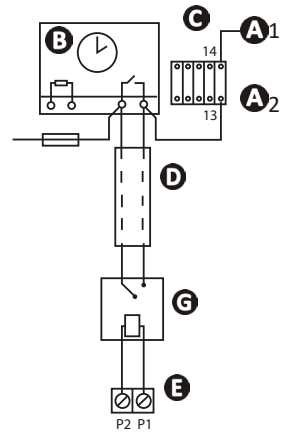
Aprire e togliere il pannello superiore **A** con un cacciavite (4 viti) per accedere al quadro elettrico. **B** Inserire il cavo di alimentazione in un premistoppa **C** nella parte posteriore dell'apparecchio. Nell'apparecchio, fissare il cavo di alimentazione inserendolo attraverso il ferma-cavo **D**.



Collegare il cavo di alimentazione alla morsettieria all'interno dell'apparecchio nel modo seguente.



Collegamento della priorità riscaldamento

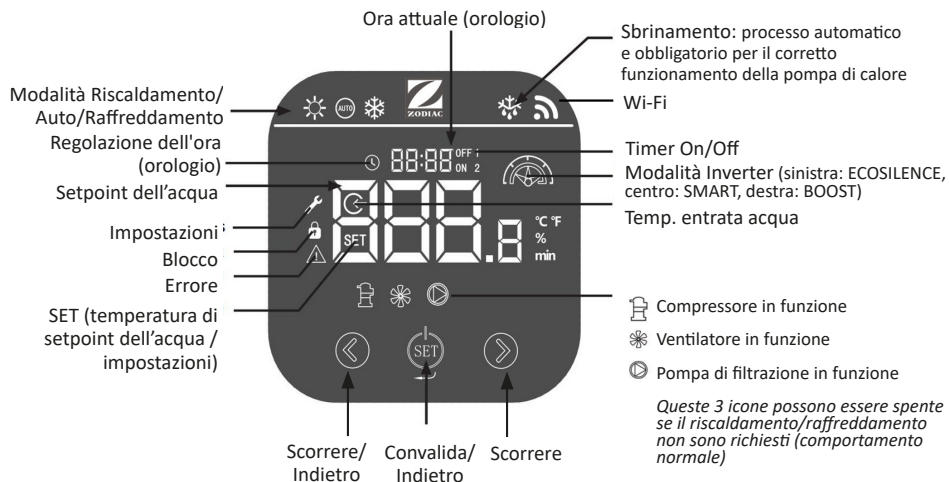


- A1 - A2:** Alimentazione per la bobina del contattore di potenza della pompa di filtrazione
- B:** Orologio di filtrazione
- C:** Contattore (bipolare) per la pompa di filtrazione
- D:** Cavo separato per la funzione "priorità riscaldamento" (non fornito)
- E:** Morsettieria della pompa di riscaldamento
- F:** Fusibile
- G:** Relè con contatto secco/230 V (non fornito)

Cablaggio e protezione dei cavi

Modello	Alimentazione elettrica	Intensità max	Diametro del cavo*	Protezione magnetotermica (curva D)
MD3	220 - 240 V 1 fase 50-60 Hz	8	RO2V 3x2,5 mm ²	16 A
MD4		9		16 A
MD5		13		16 A
MD6		16	RO2V 3x4 mm ²	20 A
MD8		19		20 A
MD9		20		25 A
MD12		30	RO2V 3x6 mm ²	32 A
TD8	380 - 400 V 3 fase 50-60 Hz	8	RO2V 5x2,5 mm ²	10 A
TD9		9		10 A
TD12		12		RO2V 5x4 mm ²

* Sezione trasversale di cavo adattata per cavi di 20 metri max. Per lunghezze superiori, consultare un elettricista.



Icone

Modalità		Descrizione
	Riscaldamento	ECOSILENCE Funzionamento a potenza ridotta per un maggiore risparmio energetico e un livello di rumore minimo. Ideale per mantenere la temperatura quando la temperatura dell'aria esterna è elevata.
		SMART Regolazione automatica della potenza secondo le esigenze. Passa automaticamente tra le modalità ECOSILENCE e BOOST.
		BOOST Funzionamento a potenza massima per un riscaldamento rapido. Ideale a inizio stagione per alzare o mantenere la temperatura quando l'aria esterna è fredda.
	Riscaldamento/ Raffreddamento (modalità consigliata)	SMART La pompa di calore sceglie automaticamente la modalità di funzionamento più adatta secondo la temperatura di setpoint.
	Raffreddamento	ECOSILENCE Rinfrescare la piscina a potenza ridotta per un maggiore risparmio energetico e un livello di rumore minimo.
		SMART Regolazione automatica di potenza secondo le esigenze. Passa automaticamente tra le modalità ECOSILENCE e BOOST.
		BOOST Rinfrescare la piscina a potenza massima per un raffreddamento rapido.



Bloccare/sbloccare la tastiera



3 secondi



Impostare l'orologio



Premere 2 volte.
Lampeggia.



Premere per impostare l'ora



Premere per modificare.



Premere per confermare.
Premere nuovamente su SET per impostare i minuti.



Premere per 1 sec per confermare e tornare alla schermata principale.



Regolare il setpoint di temperatura



Sbloccare la tastiera (3 sec)

Controllare il funzionamento del compressore: viene visualizzata l'icona della modalità di funzionamento.



Modificare la temperatura. L'icona della modalità di funzionamento lampeggia.

Temperatura consigliata:
28 °C



Selezionare la modalità di funzionamento

La pompa di calore dispone di 4 modalità di funzionamento riscaldamento / raffreddamento per adattare la sua velocità di funzionamento alla potenza richiesta e alla modalità selezionata:

- modalità "BOOST"
- modalità "SMART"
- modalità "ECOSILENCE"
- Modalità "AUTO" (raccomandata)



Sbloccare la tastiera (3 sec).
Poi, premere SET.

Appare l'indicatore 



Navigare nelle modalità disponibili.



Premere per confermare.
Premere 2 sec per avviare.



Disattivare la pompa di calore



Sbloccare la tastiera (3 sec).



Premere 2 sec. La pompa si arresta dopo qualche minuto.



L'icona scompare quando il compressore non funziona.



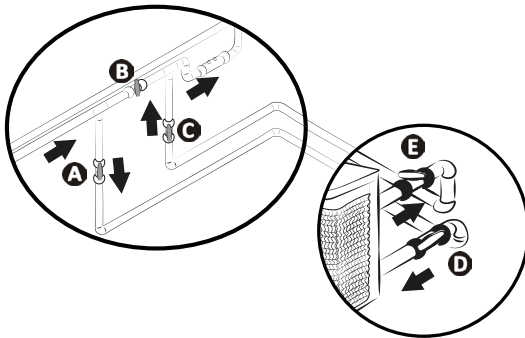
Premere 2 sec per riaccendere il compressore.




Consultare il manuale online per maggiori dettagli sulle modalità di funzionamento e i timer.



Aprire il circuito idraulico

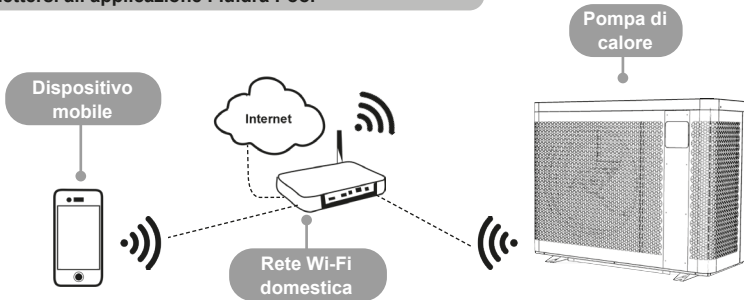


ATTENZIONE: Una regolazione errata del bypass può comportare il malfunzionamento della pompa di calore.

- Chiudere progressivamente la valvola B.
- Aprire completamente le valvole A, C e D. Aprire la valvola E a metà (l'aria accumulata nel condensatore e nel circuito di filtrazione verrà eliminata). Se le valvole D ed E non sono presenti, aprire completamente la valvola A e chiudere per metà la valvola C.
- Collegare la pompa di calore all'alimentazione elettrica.
- Quando la pompa di calore è in stand-by, premere  per 3 secondi: Impostare l'orologio e selezionare una modalità di funzionamento.
- Impostare la temperatura desiderata.



Connettersi all'applicazione Fluidra Pool



La pompa di calore può essere controllata a distanza da uno smartphone o da un tablet, attraverso l'applicazione Fluidra Pool disponibile per i sistemi iOS e Android. Prima di connettersi all'applicazione Fluidra Pool, controllare di:

- Utilizzare uno smartphone o un tablet compatibile Wi-Fi.
- Utilizzare una rete Wi-Fi con un segnale ragionevolmente potente al momento della connessione alla pompa di calore: il segnale Wi-Fi deve essere rilevabile nel luogo nel quale viene utilizzato l'apparecchio. Se così non fosse, deve essere fornita una soluzione tecnica per amplificare il segnale esistente.
- Rimanere vicini all'apparecchio e tenere a portata di mano la password della rete Wi-Fi domestica.

Scaricare l'applicazione Fluidra Pool (codice QR nella parte posteriore dell'apparecchio)



"SET" lampeggia

Aprire l'applicazione e seguire i passaggi descritti nell'applicazione per aggiungere la pompa di calore.



Stoccaggio invernale



Premere e tenere premuto 2 sec per spegnere l'apparecchio

Scollegare l'all'alimentazione elettrica per 3 minuti minimo

Aprire la valvola B. Chiudere le valvole A e C e aprire le valvole D ed E (se presenti)

Svuotare l'acqua del condensatore per evitare che geli

Mettere il telo di stoccaggio invernale

- In caso di stoccaggio invernale completo della piscina (arresto completo del sistema di filtrazione, spurgo del circuito di filtrazione, oppure svuotamento della piscina): riavvitare i due connettori di un giro per evitare che penetrino corpi estranei nel condensatore.
- Nel caso di stoccaggio invernale della pompa di calore sola (arresto del riscaldamento mentre la filtrazione continua a funzionare): non stringere i connettori ma aggiungere 2 tappi (forniti) sulle entrate e le uscite dell'acqua del condensatore.
- Mettere il telo di stoccaggio invernale (fornito) sulla pompa di calore facendo passare i collegamenti idraulici dall'apposita apertura. Non è necessario scollegare i collegamenti idraulici e elettrici.



- **Lo stoccaggio invernale è essenziale per evitare che il condensatore si rompa a causa del gelo (il gelo senza stoccaggio invernale non è coperto da garanzia).**
- **Per evitare di danneggiare l'apparecchio con la condensa, non coprirlo completamente e utilizzare il telo di stoccaggio invernale fornito.**



Manutenzione

- Assicurarsi che la griglia di ventilazione non sia ostruita da corpi estranei.
- Pulire l'evaporatore con una spazzola morbida e un getto d'acqua fredda (scollegare il cavo di alimentazione).
- Pulire il condotto di scarico della condensa per eliminare le impurità che potrebbero ostruirlo.
- Assicurarsi che la griglia di ventilazione della scatola di comunicazione sia pulita.
- Non utilizzare un getto ad alta pressione. Non nebulizzare acqua piovana, acqua salata o acqua ricca di minerali.
- Pulire l'esterno dell'apparecchio; non usare prodotti a base di solventi. Si può utilizzare un kit di pulizia specifico come accessorio: il PAC NET.




- **Non scollegare l'alimentazione elettrica quando l'apparecchio è in funzione. Se l'all'alimentazione elettrica è interrotta, attendere qualche minuto prima di ripristinare la corrente verso l'apparecchio.**
- **Prima degli interventi di manutenzione, di risoluzione di problemi o di riparazione, si consiglia di disattivare la connessione Wi-Fi del modem per evitare il rischio di controllo dell'apparecchio a distanza.**
- **Si consiglia di effettuare una manutenzione generale dell'apparecchio almeno una volta l'anno per garantirne il corretto funzionamento, mantenere i livelli di prestazione e evitare alcuni malfunzionamenti. Questi interventi sono eseguiti a spese dell'utente da un tecnico.**



Consultare il manuale online per maggiori dettagli sulle norme di sicurezza relative al refrigerante R32 e sugli interventi di manutenzione che devono essere effettuati da un tecnico qualificato.



- Prima di contattate il rivenditore, effettuare questi semplici controlli in caso di problemi. Se il problema non è risolto, contattate il rivenditore.
-  : Le azioni devono essere effettuate solo da un tecnico qualificato.

Comportamento dell'apparecchio

L'apparecchio non inizia a riscaldare immediatamente	<ul style="list-style-type: none"> • Quando la portata d'acqua è nulla o insufficiente, l'apparecchio si arresta: controllare che l'acqua circoli correttamente nell'apparecchio e che i collegamenti idraulici siano corretti. • L'apparecchio si arresta quando la temperatura esterna scende al di sotto di -7 °C.
L'apparecchio evacua acqua	<ul style="list-style-type: none"> • Per verificare che l'acqua non proveniente da una perdita del circuito della piscina sull'apparecchio, spegnerlo e far funzionare la pompa di filtrazione per far circolare l'acqua nell'apparecchio. Se l'acqua continua a scolare dai condotti di scarico della condensa, c'è una perdita d'acqua nell'apparecchio: contattare il rivenditore.
L'evaporatore è gelato	<ul style="list-style-type: none"> • L'apparecchio passerà presto al ciclo di sbrinamento per far sciogliere il ghiaccio. • Se l'apparecchio non riesce a sbrinare l'evaporatore, si arresterà da solo; ciò significa che la temperatura esterna è troppo bassa (inferiore a -7°C).
L'apparecchio "fuma"	<ul style="list-style-type: none"> • Se l'apparecchio non è nel ciclo di sbrinamento, è normale. Spegnerlo e scollegare immediatamente l'apparecchio e contattare il rivenditore.
L'apparecchio non funziona	<ul style="list-style-type: none"> •  Se il display non mostra nessun messaggio, controllare la tensione di alimentazione e il fusibile F1. • Quando la portata d'acqua è nulla o insufficiente, l'apparecchio si arresta: controllare che l'acqua circoli correttamente nell'apparecchio.
Il ventilatore funziona ma il compressore si ferma ogni tanto senza messaggi di errore	<ul style="list-style-type: none"> • Se la temperatura esterna è bassa, l'apparecchio effettuerà dei cicli di sbrinamento. • L'apparecchio non riesce a catturare abbastanza calorie perché l'evaporatore è incrostato. Pulirlo per ripristinare le prestazioni.
L'apparecchio funziona ma la temperatura dell'acqua non aumenta	<ul style="list-style-type: none"> • La modalità di funzionamento non è abbastanza potente. Passare alla modalità "BOOST" e impostare la filtrazione su funzionamento manuale 24 ore su 24 per far aumentare la temperatura. • Controllare che la valvola di riempimento automatico non sia bloccata in posizione aperta: ciò continuerebbe a alimentare la piscina con acqua fredda e impedirebbe alla temperatura di salire. • C'è troppa perdita di calore poiché l'aria è fresca. Posizionare una copertura isoterma sulla piscina. • L'apparecchio non riesce a catturare abbastanza calorie perché l'evaporatore è incrostato. Pulirlo per ripristinare le prestazioni. •  Controllare che l'apparecchio sia delle dimensioni giuste per questa piscina e il suo ambiente.
L'apparecchio attiva l'interruttore differenziale	<ul style="list-style-type: none"> •  Controllare che l'interruttore differenziale sia dimensionato correttamente e che la sezione di cavo utilizzata sia corretta. •  La tensione di alimentazione è troppo bassa; contattare il fornitore di energia elettrica.



Consultare il manuale online per maggiori dettagli sulla visualizzazione dei codici d'errore e sugli schemi di cablaggio.



Rendimento: aria a 26 °C / acqua a 26 °C / umidità all'80%

		MD3	MD4	MD5	MD6	MD8
Potenza restituita (velocità max - mini)	kW	7,0 - 2	9,5 - 2,3	13,0 - 2,4	15,0 - 2,5	19,0 - 7,5
Potenza consumata (velocità max-min)	kW	1,1 - 0,15	1,4 - 0,2	2,0 - 0,1	2,5 - 0,15	3,5 - 0,6
COP medio (velocità max - mini)		6,5 - 13,4	6,7 - 13,5	6,5 - 16,4	6,0 - 16,3	5,6 - 12,5
		MD9	MD12	TD8	TD9	TD12
Potenza restituita (velocità max - mini)	kW	24,0 - 6,7	31,0 - 9,2	19,0 - 7,5	24,0 - 6,7	31,0 - 9,2
Potenza consumata (velocità max-min)	kW	4,5 - 0,5	5,6 - 0,7	3,5 - 0,6	4,5 - 0,5	5,6 - 0,7
COP medio (velocità max - mini)		5,4 - 13,7	5,4 - 13,2	5,6 - 12,5	5,4 - 13,7	5,4 - 13,2

Specifiche tecniche

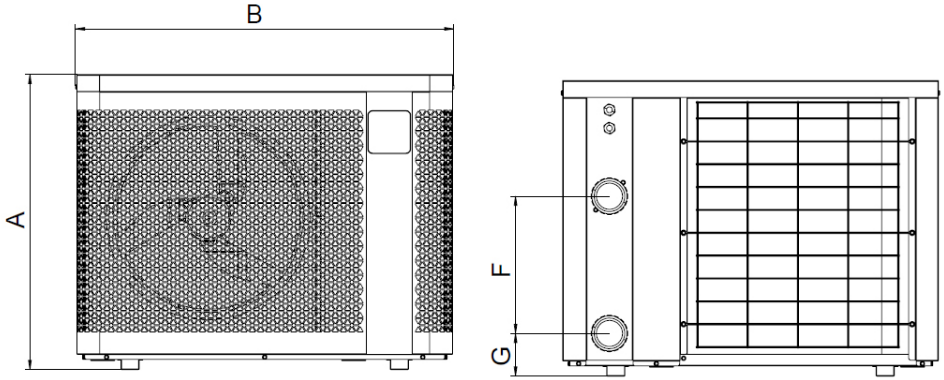
Temperatura di funzionamento	Aria	da -7 à 43 °C
	Acqua	In modalità "riscaldamento": da 15 a 40 °C In modalità "raffreddamento": da 8 a 28°C
Pressione di funzionamento	Refrigerante	da 0,5 a 42 bar (da 0,05 a 4,2 MPa)
	Acqua	da 0 a 2 bar (da 0 a 0,2 MPa)
Alimentazione elettrica		220 - 240 V / 1 fase / 50-60 Hz 380 - 400 V / 3 fase / 50-60 Hz (solo TD8, TD9, TD12)
Variazione di tensione ammissibile		± 6 % (durante il funzionamento)
Collegamenti idraulici		2 x raccordi PVC, 1/2 unione Ø 50
Tipo di fluido di raffreddamento		R32
Indice di protezione		IPX4
Bande di frequenza	GHz	2,400 - 2,497
Potenza di emissione di radiofrequenze	dBm	+19,5
Luogo di installazione		esterno

Specifiche tecniche

		MD3	MD4	MD5	MD6	MD8
Intensità assorbita nominale	A	4,7	6	8,4	10,7	14
Intensità massima assorbita	A	8	9	13	16	19
Sezione minimo del cavo*	mm ²	3 x 2,5			3 x 4	
Potenza acustica (max - mini)	dB(A)	62-50	65-52		67-54	69
Pressione acustica a 10 m (max-mini)	dB(A)	31-19	34-21		36-23	38
Portata d'acqua consigliata	m ³ /h	3	4	5	6	7
Carica di fluido frigorigeno	kg	0,3	0,45	0,6	0,7	1,0
	Tonnellate di CO2 equiv	0,20	0,30	0,41	0,47	0,68
Peso approssimativo	kg	42,5	44,5	49,5	56	70
		MD9	MD12	TD8	TD9	TD12
Intensità assorbita nominale	A	15,3	23	5,2	7,4	9,6
Intensità massima assorbita	A	20	30	8	9	12
Sezione minimo del cavo*	mm ²	3 x 4	3 x 6	5 x 2,5		5 x 4
Potenza acustica (max - mini)	dB(A)	71	74	69	71	74
Pressione acustica a 10 m (max-mini)	dB(A)	40	43	38	40	43
Portata d'acqua consigliata	m ³ /h	8	11	7	8	11
Carica di fluido frigorigeno	kg	1,25	1,55	1,0	1,25	1,55
	Tonnellate di CO2 equiv	0,84	1,05	0,68	0,84	1,05
Peso approssimativo	kg	88,5	107	73,5	92	103

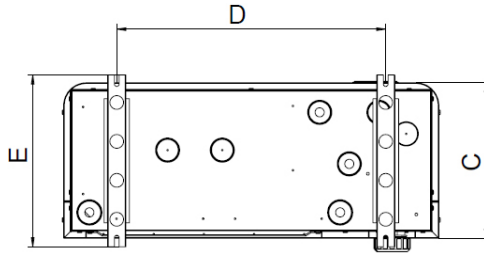
* Valori forniti a titolo indicativo per una lunghezza massima di 20 metri (base di calcolo: NFC15-100), devono essere verificati e adattati alle condizioni di installazione e alle norme del paese d'installazione.

Dimensioni



Davanti

Dietro



Sotto

	A	B	C	D	E	F	G
MD3	646	823	339,5	590	375	300	93
MD4						260	103
MD5		906		593		330	
MD6	746	1103	359	790	395	350	93
MD8						367	
MD9						430	
MD12	846	1133	509,5	743	545	367	
TD8						430	
TD9						430	
TD12							



AVISOS



Este manual contém apenas informações básicas sobre as medidas de segurança a adotar quando da instalação, manutenção e colocação em serviço. O manual completo pode ser lido e carregado sob a forma de ficheiro PDF no website: www.zodiac.com. Todos os trabalhos de montagem, instalação elétrica e manutenção devem ser efetuados por pessoal qualificado e autorizado que tenha lido com atenção este manual. Reservamos o direito de modificar total ou parcialmente as características dos nossos produtos ou o conteúdo deste documento sem aviso prévio.



AVISOS GERAIS

- Este aparelho destina-se a ser utilizado em piscinas e spas com um objetivo específico; não deve ser utilizado para outros fins diferentes daqueles para os quais foi concebido.
- O não respeito dos avisos pode deteriorar gravemente o equipamento da piscina ou causar lesões graves ou mesmo a morte.
- Este aparelho não é destinado a ser utilizado por pessoas (incluindo crianças) cujas capacidades físicas, sensoriais ou mentais sejam reduzidas, ou com falta de experiência e de conhecimentos, a menos que recebam uma supervisão ou instrução relativamente ao uso do aparelho por parte de uma pessoa responsável pela sua segurança. As crianças devem ser vigiadas para assegurar-se de que não brinquem com o aparelho.
- Este aparelho pode ser utilizado por crianças a partir de 8 anos e por pessoas com capacidades físicas, sensoriais ou mentais reduzidas ou com falta de experiência e de conhecimentos, se elas forem supervisionadas ou receberem instruções relativas à utilização do aparelho com toda a segurança, e compreenderem os riscos incorridos. As crianças não devem brincar com o aparelho. A limpeza e a manutenção pelo utilizador não devem ser efetuadas por crianças não vigiadas.
- O aparelho deve ser instalado em conformidade com as instruções do fabricante e cumprindo as regulamentações locais e nacionais.
- Os nossos produtos devem ser montados e instalados unicamente em piscinas em conformidade com as normas CEI/HD 60364-7-702 e as regras nacionais em vigor. A instalação do aparelho deve estar em conformidade com a norma CEI/HD 60364-7-702 e as regras nacionais requeridas para as piscinas. Consulte o seu revendedor local para mais informações.

AVISOS LIGADOS A APARELHOS ELÉTRICOS

- A alimentação elétrica do aparelho deve ser protegida por um disjuntor diferencial específico de 30 mA, conforme as normas e regulamentações em vigor no país onde está instalado.
- O equipamento não inclui um comutador elétrico para o desligamento. Adicionar um dispositivo de desligamento da alimentação na cablagem de fixação de uma categoria OVC III no mínimo, conforme as leis nacionais aplicáveis.
- Se o cabo de alimentação estiver deteriorado, deve ser substituído unicamente pelo fabricante, por um representante autorizado ou uma centro de reparação.

AVISOS RELATIVOS AOS APARELHOS QUE CONTÉM REFRIGERANTE R32



- Este aparelho contém refrigerante R32, um refrigerante de categoria A2L, que é considerado como potencialmente inflamável.
- Não descarregar o fluido R32 na atmosfera. Este é um gás fluorado com efeito de estufa, coberto pelo protocolo de Quioto, com um Potencial de aquecimento global (GWP) de 675 (regulamentação europeia UE 517/2014).
- A fim de cumprir as normas e regulamentos aplicáveis em termos de ambiente e instalação, em particular o decreto francês n.º 2015-1790 e / ou o regulamento europeu UE 517/2014, um teste de vazamento deve ser realizado no circuito de refrigeração ao primeiro arranque do aparelho ou pelo menos uma vez por ano. Esta operação deve ser realizada por um especialista certificado para testar aparelhos de refrigeração.
- Instalar a unidade no exterior. Não instalar a unidade no interior ou num local fechado e não ventilado.
- O aparelho deve ser armazenado num local sem fonte de faíscas em funcionamento permanente (por exemplo: chamas ao ar livre, aparelho a gás em funcionamento ou aquecimento elétrico em funcionamento).
- Para mais informações, consulte as instruções de segurança relativas aos aparelhos contendo gás R32 na versão completa do manual, que explica o controlo das zonas do local, o procedimento de trabalho, a zona de trabalho geral, a verificação da presença de refrigerante, a verificação da presença de um extintor, a ausência de fontes de faísca, a ventilação da zona, a verificação do equipamento de refrigeração, a verificação dos componentes elétricos, a reparação dos componentes isolados, a reparação dos componentes intrínsecos, a cablagem, a deteção do refrigerante inflamável, a remoção e a eliminação, os procedimentos de carregamento e a desmontagem.
- Observe que o refrigerante R32 pode não emitir odor.
- Não utilizar meios de aceleração do processo de degelo ou de limpeza que não sejam os recomendados pelo fabricante.
- Não o perfurar, nem incinerar.

INSTALAÇÃO E MANUTENÇÃO

- Somente um profissional qualificado nos domínios técnicos correspondentes (eletricidade, hidráulica ou refrigeração), está autorizado a executar trabalhos de instalação, conservação ou reparação do aparelho
- O aparelho não deve ser instalado na proximidade de materiais combustíveis ou da entrada de uma canalização de ar de um edifício adjacente.
- Durante a conservação do aparelho, verificar a composição e o estado do fluido condutor de calor, assim como a ausência de vestígios de líquido de arrefecimento.
- Quando do teste anual da estanqueidade do aparelho, de acordo com as leis em vigor, verificar que os pressostatos de alta e baixa pressão estão corretamente ligados ao circuito frigorífico e que o circuito elétrico é cortado em caso de desengate.
- Quando de trabalhos de manutenção, certifique-se de que não há sinais de corrosão ou de óleo em torno dos componentes de arrefecimento.
- Antes de iniciar trabalhos no circuito de arrefecimento, parar o aparelho e aguardar alguns minutos antes de montar os sensores de temperatura e de pressão. Certos elementos, como o compressor e a tubagem, podem atingir temperaturas superiores a 100 °C e pressões elevadas, com o risco de queimaduras graves em consequência.



AVISOS



ESPECIFICAÇÕES DO REFRIGERANTE

Controlo da zona

- Antes de começar a trabalhar sobre sistemas que contenham refrigerantes inflamáveis, controlos de segurança são necessários para assegurar-se de que o risco de faíscas seja reduzido.

Procedimento de trabalho

- Os trabalhos devem ser efetuados segundo um procedimento controlado para minimizar o risco de presença de gás ou vapores inflamáveis durante a execução dos trabalhos.

Zona de trabalho geral

- Todo o pessoal de manutenção e as outras pessoas que trabalham na zona devem ser informados sobre a natureza dos trabalhos a efetuar. O trabalho em espaços confinados deve ser evitado.

Controlo da presença do refrigerante

- A zona deve ser controlada com um detetor de refrigerante apropriado antes e durante o trabalho, para assegurar que o técnico seja advertido sobre atmosferas potencialmente tóxicas ou inflamáveis. Assegurar-se de que o equipamento de deteção de fugas utilizado é adaptado à utilização com todos os refrigerantes aplicáveis, ou seja, que não produz faíscas, está corretamente selado ou é intrinsecamente seguro.

Controlo da presença de um extintor

- Se trabalhos que implicam o calor devem ser efetuados no equipamento de refrigeração ou sobre qualquer peça associada, um equipamento de extinção dos incêndios apropriado deve disponível ao alcance da mão. Um extintor de pó ou CO2 deve estar presente na proximidade da zona de carregamento.

Ausência de fonte de inflamação

- É proibido, a qualquer pessoa que efetuar um trabalho num sistema de refrigeração envolvendo a exposição de uma tubagem, utilizar fontes de inflamação de uma maneira que possa provocar um risco de incêndio ou explosão. Todas as fontes de inflamação possíveis, incluindo o cigarro, devem ser mantidas suficientemente afastadas do local de instalação, reparação, remoção e eliminação, quando o refrigerante puder eventualmente ser libertado no espaço circundante. Antes dos início de trabalhos, a zona em torno do equipamento deve ser examinada para assegurar que não comporta riscos de inflamabilidade ou inflamação. Cartazes “É proibido fumar” devem ser afixados.

Ventilação da zona

- Antes de penetrar na unidade de qualquer maneira para efetuar uma tarefa de manutenção, verifique se a área está aberta e corretamente ventilada. Uma ventilação adequada deve ser mantida durante a manutenção da unidade para permitir uma dispersão segura de todo o refrigerante que possa ser libertado por inadvertência na atmosfera.

INFORMAÇÕES PARA OS PRODUTOS COM CONECTIVIDADE (segundo a diretiva RED)

Declaração de conformidade

Pela presente, a Zodiac declara que o equipamento de rádio da gama PX25 está em conformidade com a diretiva 2014/53/UE.

O texto integral da Declaração de conformidade está disponível no seguinte endereço: <https://www.zodiac-poolcare.com/>.

1 Instalação do aparelho

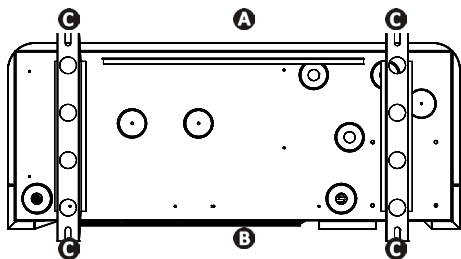


1 Instalação



- O aparelho deve ser instalado no exterior, a pelo menos 2 metros da borda da piscina.

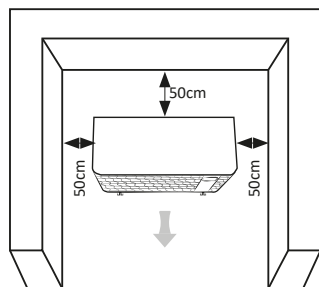
Colocar o aparelho sobre os seus blocos anti-vibração (fornecidos com o aparelho) sobre uma superfície estável, sólida e nivelada



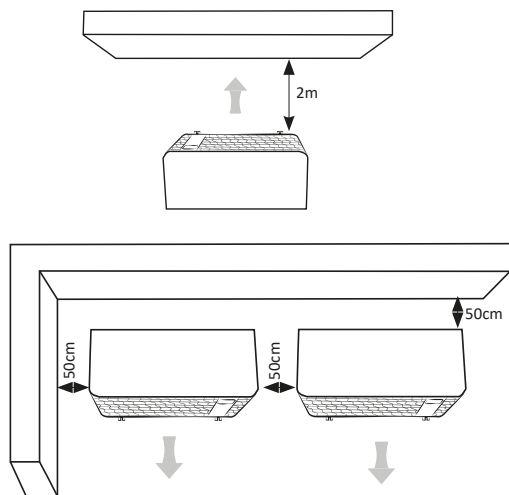
- A**: Frente
- B**: Atrás
- C**: Blocos anti-vibração

Vista da base do aparelho, por baixo, para a instalação dos blocos anti-vibração

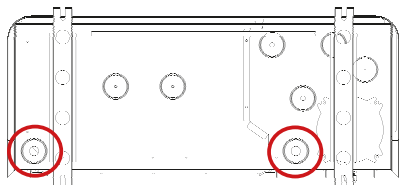
Escolher a localização



Distância mínima



Evacuar os condensados: Elevar o aparelho de pelo menos 10 cm com os blocos anti-vibração e instalar as duas condutas de evacuação de condensados nas aberturas situadas sob a base do aparelho.



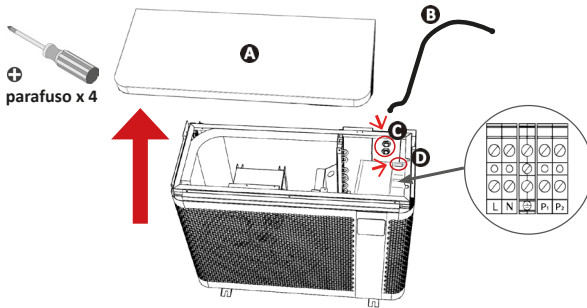
Consultar o manual em linha para mais detalhes sobre as precauções de instalação e as ligações hidráulicas.



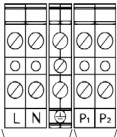
- Cortar a alimentação elétrica antes de toda a intervenção no interior do aparelho (risco de eletrocussão). A retirada da alimentação elétrica deve ser efetuada de maneira a poder sempre verificar, a partir de qualquer ponto a que tenha acedido, que a alimentação elétrica continua cortada. Se isto não for possível, deverá prever um desligamento com um sistema de bloqueio.
- Apenas um técnico qualificado e experiente está autorizado a efetuar trabalhos de cablagem no aparelho ou a substituir o cabo de alimentação.
- Certificar-se de que os parafusos dos terminais estão inteiramente apertados (risco de incêndio). Parafusos de terminal mal apertados anularão a garantia.
- Não desconectar a alimentação elétrica quando o aparelho estiver a funcionar. Se a alimentação elétrica for interrompida, aguardar um minuto antes de restabelecer a corrente.

Conectar a unidade à alimentação elétrica e aos acessórios

Abrirem e retirarem o painel superior **A** utilizando uma chave de parafuso (4 parafusos) para aceder à barra de terminais elétricos. **B** Inserir o cabo de alimentação num dos prensa-cabos **C** atrás do aparelho. No aparelho, fixar o cabo de alimentação inserindo-o através da fixação de cabos **D**.



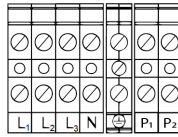
Conectar o cabo de alimentação à barra de terminais no interior do aparelho, como indicado abaixo:



Ligação à alimentação elétrica

Ligação das opções (bomba de filtração, relé de alimentação elétrica).

Barra de terminais para alimentação monofásica



Ligação à alimentação elétrica

Ligação das opções (bomba de filtração, relé de alimentação elétrica).

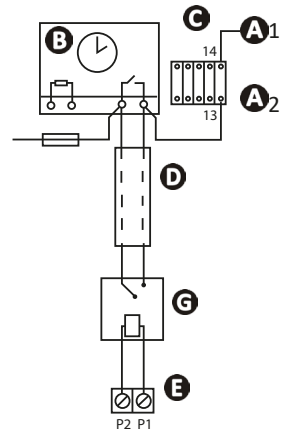
Barra de terminais para alimentação trifásica

L: Tensão

N: Neutro

⊥: Terra

Ligação da prioridade aquecimento



A1- A2: Alimentação para a bobina do contactor de potência da bomba de filtração

B: Relógio de filtração

C: Contactor (bipolar) para a bomba de filtração

D: Cabo separado para a função "prioridade aquecimento" (não fornecido)

E: Barra de terminais da bomba de aquecimento

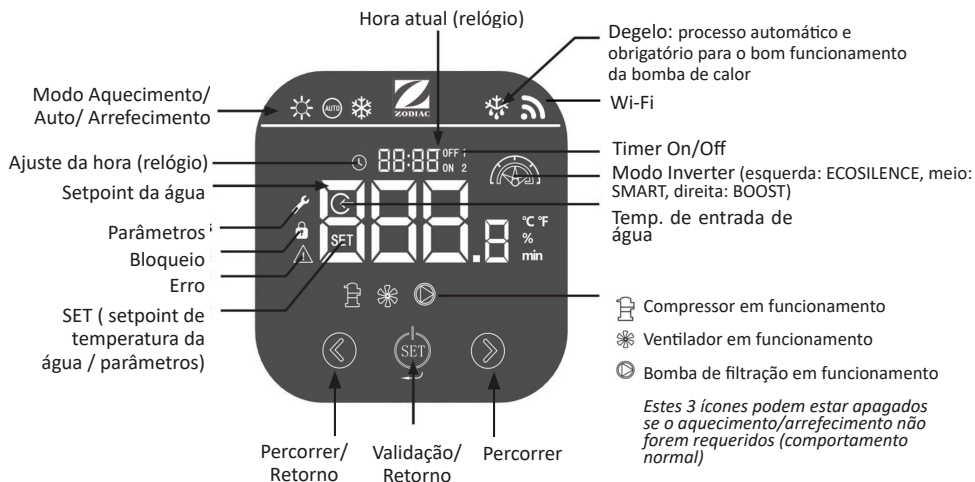
F: Fusível

G: Relé de contacto seco/230 V (não fornecido)

Cablagem e proteção dos cabos

Modelo	Alimentação elétrica	Intensidade máx.	Diâmetro do cabo*	Proteção magnética térmica (curva D)	
MD3	220 - 240V 1 fase 50-60 Hz	8	RO2V 3x2,5 mm ²	16 A	
MD4		9		16 A	
MD5		13		16 A	
MD6		16		20 A	
MD8		19		RO2V 3x4 mm ²	20 A
MD9		20		25 A	
MD12		30	RO2V 3x6 mm ²	32 A	
TD8	380 - 400V 3 fase 50-60 Hz	8	RO2V 5x2,5 mm ²	10 A	
TD9		9		10 A	
TD12		12		RO2V 5x4 mm ²	16 A

* Secção transversal de cabo adaptada para cabos de 20 metros máx. Para comprimentos superiores, consultar um electricista.



Estes 3 ícones podem estar apagados se o aquecimento/arrefecimento não forem requeridos (comportamento normal)

Ícones

Modo		Descrição
	Aquecimento	ECOSILENCE Funcionamento a potência reduzida para mais economias de energia e um nível mínimo de ruído. Ideal para manter a temperatura quando a temperatura do ar exterior for elevada.
		SMART Ajustamento automático da potência segundo as necessidades. Comuta automaticamente entre os modos ECOSILENCE e BOOST.
		BOOST Funcionamento à potência máxima para um aquecimento rápido. Ideal no início da estação para elevar ou manter a temperatura quando o ar exterior for frio.
	Aquecimento/Arrefecimento (modo recomendado)	SMART A bomba de calor seleciona automaticamente o modo de funcionamento mais adaptado segundo o setpoint de temperatura.
	Arrefecimento	ECOSILENCE Funcionamento a potência reduzida para mais economias de energia e um nível mínimo de ruído.
		SMART Ajustamento automático da potência segundo as necessidades. Comuta automaticamente entre os modos ECOSILENCE e BOOST.
		BOOST Arrefecer a piscina à potência máxima para um arrefecimento rápido.



Bloquear/desbloquear o teclado



3 segundos



Ajustar o relógio



Premir 2 vezes



intermitente.



Premir para ajustar as horas



Premir para modificar.



Premir para validar. Premir SET novamente para ajustar os minutos.



Premir 1s para confirmar e voltar ao ecrã principal.



Ajustar o setpoint de temperatura



Desbloquear o teclado (3 s)

Verificar que o compressor funciona:

O ícone do modo de funcionamento aparece.



Modificar a temperatura. O ícone do modo de funcionamento fica intermitente.

Temperatura recomendada:
28 °C



Selecionar os modos de funcionamento

A bomba de calor dispõe de 4 modos de funcionamento aquecimento/arrefecimento para adaptar a sua velocidade de funcionamento à potência requerida e ao modo selecionado:

- modo "BOOST"
- modo "SMART"
- Modo "ECOSILENCE"
- modo "Auto" (recomendado)



Desbloquear o teclado (3 s).
Depois, premir SET.

O indicador  aparece.



Navegar nos modos disponíveis.



Premir para validar.
Premir 2 s para iniciar.



Desativar a bomba de calor



Desbloquear o teclado (3 s).



Premir 2 s. A bomba para após alguns minutos.



O ícone desaparece quando o compressor não funciona.



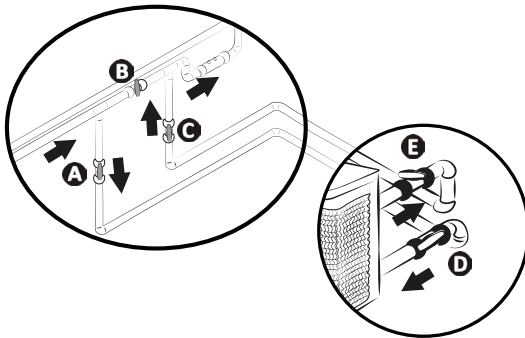
Premir 2 s para reativar o compressor.




Consultar o manual em linha para mais detalhes sobre os modos de funcionamento e os timers.



Abrir o circuito hidráulico

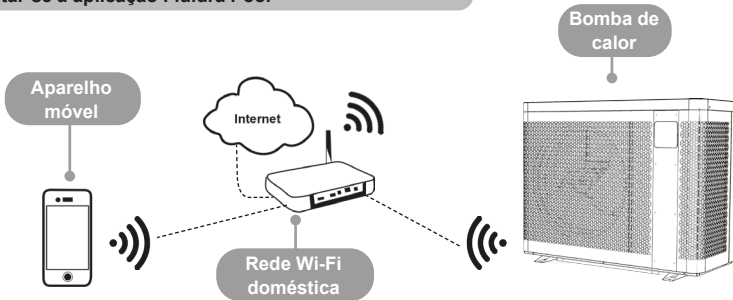


ATENÇÃO: Um ajuste incorreto do bypass pode provocar um mau funcionamento da bomba de calor.

- Fechar progressivamente a válvula B.
- Abrir completamente as válvulas A, C e D. Abrir pela metade a válvula E (o ar acumulado no condensador e no circuito da filtração será purgado). Se as válvulas D e E não estiverem presentes, abrir inteiramente válvula A e fechar pela metade a válvula C.
- Ligar a alimentação elétrica da bomba de calor.
- Se a bomba de calor estiver em standby, premir  durante 3 segundos: Ajustar o relógio e selecionar um modo de funcionamento.
- Ajustar a temperatura desejada.



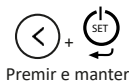
Conectar-se à aplicação Fluidra Pool



A bomba de calor pode ser controlada remotamente, a partir de um smartphone ou tablet, através da aplicação Fluidra Pool, disponível para os sistemas iOS e Android. Antes de se conectar à aplicação Fluidra Pool, ter o cuidado de:

- Utilizar um smartphone ou tablet compatível Wi-Fi.
- Utilizar uma rede Wi-Fi com um sinal suficientemente forte aquando da conexão à bomba de calor: o sinal Wi-Fi deve ser detetável no lugar onde o aparelho é utilizado. Se não for o caso, uma solução técnica deve ser fornecida para amplificar o sinal existente.
- Permanecer perto do aparelho e preparar a senha da rede Wi-Fi doméstica.

Carregar a aplicação Fluidra Pool (código QR atrás do aparelho)



Premir e manter

“SET” fica intermitente

Abrir a aplicação e seguir as etapas descritas na aplicação para incluir a bomba de calor.



Invernagem



Premir e manter
2s para desligar o
aparelho

Desligar a
alimentação elétrica
por 3 minutos no
mínimo

Abrir a válvula B.
Fechar as válvulas
A e C e abrir as
válvulas D e E (se
for o caso)

Drenar a água do
condensador para
evitar qualquer
risco de gelo

Colocar a capa de inverno

- No caso de preparação completa da piscina para o inverno (paragem completa do sistema de filtração, purga do circuito de filtração, ou mesmo esvaziamento da piscina): elevar de uma volta os dois conectores para evitar qualquer penetração de corpos estranhos no condensador.
- No caso de preparação para o inverno apenas da bomba de calor (paragem do aquecimento, a filtração continua a funcionar): não apertar os conectores, mas adicionar 2 tampas (fornecidas) nas entradas e saídas de água do condensador.
- Colocar a capa de inverno (fornecida) na bomba de calor fazendo passar as ligações hidráulicas pela abertura prevista para o efeito. Não é necessário desconectar as ligações hidráulicas e elétricas.



- **A invernagem é essencial para evitar qualquer ruptura do condensador por causa do gelo (o gelo sem invernagem não é coberto pela garantia).**
- Para evitar a deterioração do aparelho devido à condensação, não o cobrir inteiramente e utilizar a capa de inverno fornecida.



Manutenção

- Certificar-se de que a grelha de ventilação não é obstruída por corpos estranhos.
- Limpar o evaporador utilizando uma escova macia e um jato de água fresca (desconectar o cabo de alimentação).
- Limpar a conduta de evacuação dos condensados para eliminar as impurezas que poderiam obstruí-la.
- Certificar-se de que a grelha de ventilação da caixa de comutação está limpa.
- Não utilizar um jato de alta pressão. Não pulverizar água de chuva, água salgada ou água carregada de minerais.
- Limpar o exterior do aparelho; não utilizar produtos à base de solventes. Poderá utilizar um kit de limpeza específico como acessório: o PAC NET.




- Não desconectar a alimentação elétrica quando o aparelho estiver a funcionar. Se a alimentação elétrica for interrompida, aguardar um minuto antes de restabelecer a corrente para o aparelho.
- Ante de qualquer operação de manutenção, solução de de problemas ou de reparação, recomenda-se desativar a conexão Wi-Fi do modem para evitar qualquer risco de controlo à distância do aparelho.
- É recomendado efetuar uma manutenção geral do aparelho pelo menos uma vez por ano para garantir o seu bom funcionamento, manter os níveis de desempenho e eventualmente evitar certas falhas. Estas operações são efetuadas às custas do utilizador por um técnico.







Consultar o manual em linha para mais detalhes sobre as instruções de segurança relativas ao refrigerante R32 e sobre as tarefas de manutenção que devem ser efetuadas por um técnico qualificado.



- Antes de contactar o revendedor, efetua os controlos simples seguintes em caso de problema. Se o problema não for resolvido, contactar o seu revendedor.
- : Estas ações devem ser efetuadas por um técnico qualificado unicamente.

Comportamento do aparelho

<p>O aparelho não começa a aquecer imediatamente</p>	<ul style="list-style-type: none"> • Quando o caudal de água é nulo ou insuficiente, o aparelho para: verificar que a água circula corretamente no aparelho e que as conexões hidráulicas estão corretas. • O aparelho para quando a temperatura exterior desce abaixo de -7 °C.
<p>O aparelho elimina água</p>	<ul style="list-style-type: none"> • Para verificar que a água não provém de uma fuga do circuito da piscina no aparelho, pará-lo e fazer funcionar a bomba de filtração para fazer circular a água no aparelho. Se continuar a sair água pelas condutas de evacuações dos condensados, há uma fuga de água no aparelho: contacte o seu revendedor.
<p>O evaporador está gelado</p>	<ul style="list-style-type: none"> • O aparelho irá logo passar ao ciclo de degelo para fazer derreter o gelo. • Se o aparelho não conseguir degelar o seu evaporador, ele parará por si mesmo; Isto significa que a temperatura exterior está muito baixa (inferior a - 7°C).
<p>O aparelho “fuma”</p>	<ul style="list-style-type: none"> • Se o aparelho não estiver no seu ciclo de degelo, isso não é normal. Desligar e desconectar imediatamente o aparelho e contactar o seu revendedor.
<p>O aparelho não funciona</p>	<ul style="list-style-type: none"> •  Se não houver nenhuma visualização, verificar a tensão de alimentação e o fusível F1. • Quando o caudal de água é nulo ou insuficiente, o aparelho para: verificar que a água circula corretamente no aparelho.
<p>O ventilador funciona mas o compressor para de vez em quando sem mensagem de erro</p>	<ul style="list-style-type: none"> • Se a temperatura exterior for baixa, o aparelho efetuará ciclos de degelo. • O aparelho não consegue captar calor suficientes porque o seu evaporador está sujo. Limpá-lo para restabelecer o seu desempenho.
<p>O aparelho funciona mas a temperatura da água não aumenta</p>	<ul style="list-style-type: none"> • O modo de funcionamento não é suficientemente potente. Passar ao modo “BOOST” e ajustar a filtração em 24/24 manualmente para que a temperatura aumente. • Verificar que a válvula de enchimento automático não está bloqueada na posição aberta; isto continua a alimentar com água fria a piscina e impede que a temperatura aumente. • Há demasiada perda de calor porque o ar está fresco. Instalar uma cobertura isolada termicamente sobre a piscina. • O aparelho não consegue captar calor suficientes porque o seu evaporador está sujo. Limpá-lo para restabelecer o seu desempenho. •  Verificar que o aparelho tem o tamanho adequado para a piscina e o seu ambiente.
<p>O aparelho dispara o disjuntor</p>	<ul style="list-style-type: none"> •  Verificar que o disjuntor está corretamente dimensionado e que a secção de cabo utilizada é correta. •  A tensão de alimentação é excessivamente fraca; contacte o seu fornecedor de eletricidade.



Consultar o manual em linha para mais detalhes sobre a visualização dos códigos de erro e os esquemas de cablagem.



Performances: ar a 26 °C / água a 26 °C / humidade a 80 %.

		MD3	MD4	MD5	MD6	MD8
Potência restituída (velocidade máx. - mín.)	kW	7,0 - 2	9,5 - 2,3	13,0 - 2,4	15,0 - 2,5	19,0 - 7,5
Potência consumida (velocidade máx. - mín.)	kW	1,1 - 0,15	1,4 - 0,2	2,0 - 0,1	2,5 - 0,15	3,5 - 0,6
COP médio (velocidade máx. - mín.)		6,5 - 13,4	6,7 - 13,5	6,5 - 16,4	6,0 - 16,3	5,6 - 12,5
		MD9	MD12	TD8	TD9	TD12
Potência restituída (velocidade máx. - mín.)	kW	24,0 - 6,7	31,0 - 9,2	19,0 - 7,5	24,0 - 6,7	31,0 - 9,2
Potência consumida (velocidade máx. - mín.)	kW	4,5 - 0,5	5,6 - 0,7	3,5 - 0,6	4,5 - 0,5	5,6 - 0,7
COP médio (velocidade máx. - mín.)		5,4 - 13,7	5,4 - 13,2	5,6 - 12,5	5,4 - 13,7	5,4 - 13,2

Especificações técnicas

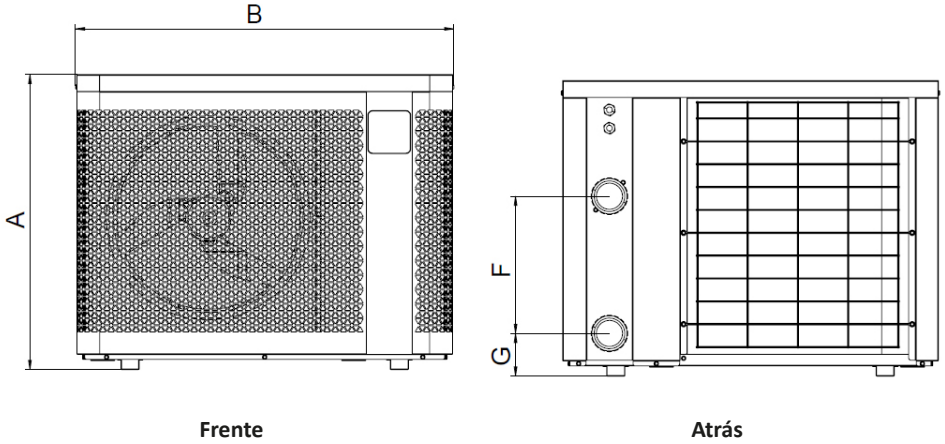
Temperatura de funcionamento	Ar	de -7 à 43 °C
	Água	Em modo "aquecimento": 15 a 40 °C Em modo "arrefecimento": 8 a 28 °C
Pressão de funcionamento	Refrigerante	de 0,5 a 42 bar (de 0,05 a 4,2 MPa)
	Água	de 0 a 2 bar (de 0 a 0,2 MPa)
Alimentação elétrica		220 - 240 V / 1 fase / 50-60 Hz 380 - 400 V / 3 fases / 50-60 Hz (TD8, TD9, TD12 somente)
Variação de tensão aceitável		± 6 % (durante o funcionamento)
Ligações hidráulicas		2 x uniões PVC, 1/2 uniões Ø 50
Tipo de fluido de arrefecimento		R32
Índice de proteção		IPX4
Bandas de frequência	GHz	2,400 - 2,497
Potência de emissão de radiofrequência	dBm	+19,5
Lugar de instalação		exterior

Especificações técnicas

		MD3	MD4	MD5	MD6	MD8
Intensidade absorvida nominal	A	4,7	6	8,4	10,7	14
Intensidade absorvida máxima	A	8	9	13	16	19
Secção mínima de cabo*	mm ²	3 x 2,5			3 x 4	
Potência acústica (máx.-mín.)	dB(A)	62-50	65-52		67-54	69
Pressão acústica a 10 m (máx.-mín.)	dB(A)	31-19	34-21		36-23	38
Caudal de água recomendado	m ³ /h	3	4	5	6	7
Carga de fluido de refrigerante	kg	0,3	0,45	0,6	0,7	1,0
	Equiv. Tonelada de CO2	0,20	0,30	0,41	0,47	0,68
Peso aproximado	kg	42,5	44,5	49,5	56	70
		MD9	MD12	TD8	TD9	TD12
Intensidade absorvida nominal	A	15,3	23	5,2	7,4	9,6
Intensidade absorvida máxima	A	20	30	8	9	12
Secção mínima de cabo*	mm ²	3 x 4	3 x 6	5 x 2.5		5 x 4
Potência acústica (máx.-mín.)	dB(A)	71	74	69	71	74
Pressão acústica a 10 m (máx.-mín.)	dB(A)	40	43	38	40	43
Caudal de água recomendado	m ³ /h	8	11	7	8	11
Carga de fluido de refrigerante	kg	1,25	1,55	1,0	1,25	1,55
	Equiv. Tonelada de CO2	0,84	1,05	0,68	0,84	1,05
Peso aproximado	kg	88,5	107	73,5	92	103

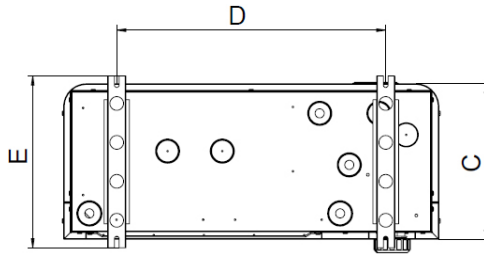
* Valores dados a título indicativo para um comprimento máximo de 20 metros (base de cálculo: NFC15-100), devem ser verificados e adaptados segundo as condições de instalação e as normas do país de instalação.

Dimensões



Frente

Atrás



Parte de baixo

	A	B	C	D	E	F	G
MD3	646	823	339,5	590	375	300	93
MD4						260	103
MD5		906		593		330	
MD6	746	1103	359	790	395	350	93
MD8						367	
MD9						430	
MD12	846	1133	509,5	743	545	367	
TD8						430	
TD9						430	
TD12							



WAARSCHUWINGEN



Deze handleiding bevat uitsluitend basisinformatie betreffende de veiligheidsmaatregelen die genomen moeten worden tijdens de installatie, het onderhoud en de ingebruikname. De complete handleiding kan gelezen en in de vorm van een PDF-bestand gedownload worden op de website: www.zodiac.com. Alle werkzaamheden betreffende de montage, de installatie van de elektriciteit en het onderhoud moeten worden uitgevoerd door vakbekwaam en bevoegd personeel dat deze handleiding aandachtig heeft doorgelezen. Wij behouden ons het recht voor de eigenschappen van onze producten of de inhoud van dit document zonder voorafgaande kennisgeving volledig of gedeeltelijk te wijzigen.



! ALGEMENE WAARSCHUWINGEN

- Het apparaat is bestemd voor een gebruik in zwembaden en spa's met een duidelijk doel; het mag uitsluitend gebruikt worden voor de doeleinden waarvoor het ontworpen is.
- Het niet naleven van de waarschuwingen kan leiden tot ernstige beschadiging van de uitrusting van het zwembad of ernstig of zelfs dodelijk letsel veroorzaken.
- Dit apparaat is niet bedoeld voor een gebruik door personen (inclusief kinderen) met fysieke, zintuiglijke of geestelijke beperkingen of zonder ervaring en kennis, tenzij zij onder toezicht staan of instructies voor het gebruik van het apparaat ontvangen hebben van een persoon die verantwoordelijk is voor hun veiligheid. Kinderen moeten onder toezicht staan om te voorkomen dat zij met het apparaat spelen.
- Dit apparaat mag gebruikt worden door kinderen vanaf 8 jaar en door volwassenen met lichamelijke, zintuiglijke of geestelijke beperkingen of zonder ervaring en kennis, mits zij onder toezicht staan of instructies voor een veilig gebruik van het apparaat ontvangen hebben en zij de mogelijke risico's begrijpen. Kinderen mogen niet met het apparaat spelen. De door de gebruiker uit te voeren reinigings- en onderhoudswerkzaamheden mogen niet door kinderen zonder toezicht worden uitgevoerd.
- Het apparaat moet worden geïnstalleerd volgens de instructies van de fabrikant en met inachtneming van de plaatselijk en landelijk geldende regelgevingen.
- Onze producten mogen uitsluitend geassembleerd en geïnstalleerd worden in zwembaden die voldoen aan de normen IEC/HD 60364-7-702 en aan de vereiste nationale voorschriften. De installatie moet voldoen aan de norm IEC/HD 60364-7-702 en de vereiste nationale voorschriften voor zwembaden. Raadpleeg uw plaatselijke dealer voor meer informatie.

! WAASCHUWINGEN MET BETREKKING TOT ELEKTRISCHE APPARATUUR

- De elektrische voeding van het apparaat moet beschermd worden door een speciale aardlekschakelaar van 30 mA die voldoet aan de normen en regelgevingen die gelden in het land waar het geïnstalleerd is.
- De uitrusting omvat niet de elektrische omschakelaar voor de uitschakeling. Voeg een voorziening voor het uitschakelen van de voeding toe in de bevestigingsbekabeling van minimaal categorie OVC III, in overeenstemming met de landelijk geldende wetten.
- Als de voedingskabel beschadigd is, mag deze uitsluitend vervangen worden door de fabrikant, een erkende vertegenwoordiger of een reparatiecentrum.

! WAARSCHUWINGEN VOOR DE APPARATEN DIE HET KOELMIDDEL R32 BEVATTEN



- Dit apparaat bevat R32, een koelmiddel van categorie A2L, dat wordt beschouwd als potentieel ontvlambaar.
- De vloeistof R32 niet afblazen in de atmosfeer. Het betreft een gefluoreerd broeikasgas, dat valt onder het Protocol van Kyoto, met een potentiële bijdrage aan de globale opwarming (GWP) van 675 (Europese reglementering EU 517/2014).
- Om te voldoen aan de relevante milieu- en installatienormen en regelgevingen, in het bijzonder aan decreet nr. 2015-1790 en/of de EU-reglementering EG 517/2014, moet tijdens de eerste start van het apparaat of minstens minstens eenmaal per jaar een lektest worden uitgevoerd op het koelcircuit. Deze bewerking moet worden uitgevoerd door een gecertificeerde specialist in koelsystemen.
- Installeer het apparaat buiten. Installeer het apparaat niet binnenhuis of in een afgesloten en niet-geventileerde ruimte.
- Het apparaat moet worden opgeslagen in een ruimte zonder vonkenbron die constant in werking is (bijv. een gasapparaat of elektrische verwarming in werking).
- Raadpleeg voor meer informatie de veiligheidsinstructies betreffende apparaten die het gas R32 bevatten in de complete versie van de handleiding, waarin de controle van de zones van de locatie, de werkprocedure, de algemene werkzone, de verificatie van de aanwezigheid van koelmiddel, de verificatie van de aanwezigheid van een brandblusser, de afwezigheid van vonkenbronnen, de ventilatie van de zone, de verificatie van de koelapparatuur, de verificatie van de elektrische componenten, de reparatie van de geïsoleerde componenten, de reparatie van de intrinsieke onderdelen, de bekabeling, de detectie van ontvlambare koelmiddelen, de verwijdering en de afvoer, de laadprocedures en de demontage toegelicht worden.
- We herinneren u eraan dat het mogelijk is dat het R32-koelmiddel geen geur verspreidt.
- Gebruik uitsluitend de door de fabrikant aanbevolen middelen om het ontdooi- of reinigingsproces te versnellen.
- Niet doorboren of verbranden.

! INSTALLATIE EN ONDERHOUD

- Alleen een vakman op het gebied van de betreffende technische vakgebieden (electriciteit, hydraulica of koeling) is bevoegd om installatiewerkzaamheden, onderhoud of reparaties uit te voeren aan het apparaat
- Het apparaat mag niet geïnstalleerd worden in de buurt van brandbare materialen of van de ingang van de luchtleiding van een naburig gebouw.
- Tijdens het onderhoud van het apparaat dienen de samenstelling en de staat van de warmtegeleidende vloeistof, alsmede de afwezigheid van eventuele sporen van koelvloeistof geverifieerd worden.
- Tijdens de jaarlijkse afdichtingstest van het apparaat dient in overeenstemming met de geldende wetgeving geverifieerd te worden of de hoge- en lagedrukregelaars goed op het koelcircuit bevestigd zijn en of deze in geval van activering het elektrische circuit onderbreken.
- Tijdens de onderhoudswerkzaamheden dient gecontroleerd te worden of er geen sporen van corrosie of olie aanwezig zijn rond de koelcomponenten.
- Alvorens met werkzaamheden aan het koelcircuit te beginnen, moet het apparaat uitgeschakeld worden en dient men enkele minuten te wachten voordat de temperatuur- en druksensoren gemonteerd kunnen worden. Sommige elementen, zoals de compressor en de leidingen, kunnen temperaturen van meer dan 100 °C en hoge drukwaarden bereiken, met als risico ernstige brandwonden.



WAARSCHUWINGEN



SPECIFICATIES VAN HET KOELMIDDEL

Controle van de zone

- Bij werkzaamheden aan systemen met ontvlambare koelmiddelen zijn veiligheidscontroles noodzakelijk om het risico op vonkvorming te reduceren.

Werkprocedure

- De werkzaamheden moeten worden uitgevoerd volgens een vaste procedure om het risico op de aanwezigheid van gas of ontvlambare dampen tijdens het uitvoeren van de werkzaamheden zo klein mogelijk te houden.

Algemene werkzone

- Het onderhoudspersoneel en andere personen die in de zone werken moeten worden geïnformeerd over de aard van de uit te voeren voeren werkzaamheden. Werkzaamheden in besloten ruimtes moeten worden vermeden.

Controle van de aanwezigheid van koelmiddel

- De zone moet voor en tijdens de werkzaamheden gecontroleerd worden met behulp van een geschikte koelmiddeldetector, om er zeker van te zijn dat de monteur gewaarschuwd wordt voor potentieel giftige of ontvlambare atmosferen. Verifieer of de gebruikte lekdetectievoorziening geschikt is voor een gebruik met alle toepasselijke koelmiddelen, d.w.z. dat deze geen vonken produceert en correct verzegeld en perfect veilig is.

Controle van de aanwezigheid van een brandblusser

- Als werkzaamheden waarbij warmte vrijkomt moeten worden uitgevoerd op de koelapparatuur of op bijbehorende elementen, moet een geschikte brandblusser zich binnen handbereik bevinden. In de buurt van de laadzone moet een poeder- of CO₂-blusser aanwezig zijn.

Afwezigheid van ontstekingsbronnen

- Het is iedereen die werkzaamheden uitvoert aan een koelsysteem met blootstelling aan een leidingennet verboden ontstekingsbronnen op een zodanige manier te gebruiken dat hierdoor brand of een explosie zou kunnen ontstaan. Alle mogelijke ontstekingsbronnen, ook sigaretten, moeten zich op voldoende afstand bevinden van de plek van de installatie, reparaties, verwijdering en afvoer, wanneer er koelmiddel zou kunnen vrijkomen in de omgeving. Voor het begin van de werkzaamheden moet de zone rond de apparatuur worden bekeken om er zeker van te zijn dat er geen brand- of ontstekingsgevaar aanwezig is. Er moeten borden met "Niet roken" worden aangebracht.

Ventilatie van de zone

- U moet zorgen dat de zone voldoende open en verlucht is voordat u zichzelf toegang verschaft tot de installatie. Tijdens het onderhoud van de unit moet er voldoende ventilatie zijn om een veilige verspreiding te verzekeren van het koelmiddel dat per ongeluk in de atmosfeer terecht zou kunnen komen.

INFORMATIE VOOR DE PRODUCTEN MET CONNECTIVITEIT (volgens de RED-richtlijn)

Conformiteitsverklaring

Hierbij verklaart Zodiac dat de radioapparatuur van het assortiment PX25 voldoet aan de richtlijn 2014/53/EU. De complete tekst van de Europese conformiteitsverklaring is te vinden op het volgende adres: <https://www.zodiac-poolcare.com/>.

1 Installatie van het apparaat

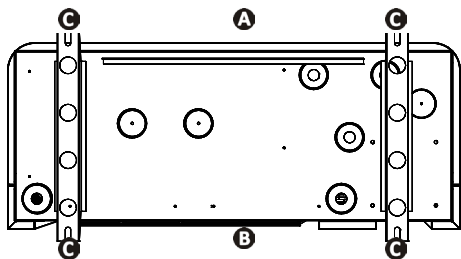


1 Installatie



- Het apparaat moet buiten, op minstens 2 meter van de rand van het zwembad geïnstalleerd worden.

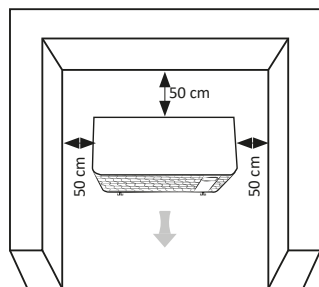
Plaats het apparaat op zijn trillingsdempers (meegeleverd met het apparaat), op een stabiel, stevig en horizontaal oppervlak



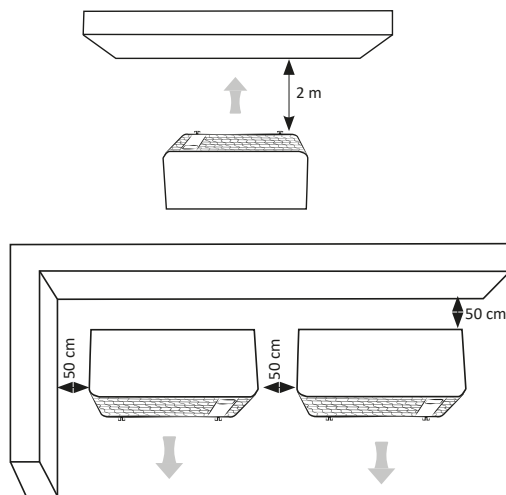
- A**: Voor
- B**: Achter
- C**: Trillingsdempers

Onderaanzicht van het voetstuk van het apparaat voor het installeren van de trillingsdempers

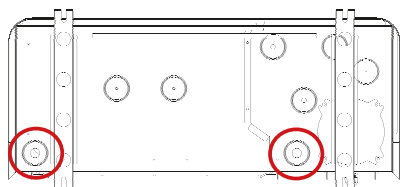
Kies de plaats



Minimumafstand



Voer het condensaat af: Til het apparaat minstens 10 cm op met de trillingsdempers en installeer de twee leidingen voor de afvoer van het condensaat op de openingen onder het voetstuk van het apparaat.



Raadpleeg de online handleiding voor meer details over de voorzorgsmaatregelen voor de installatie en de hydraulische aansluitingen.

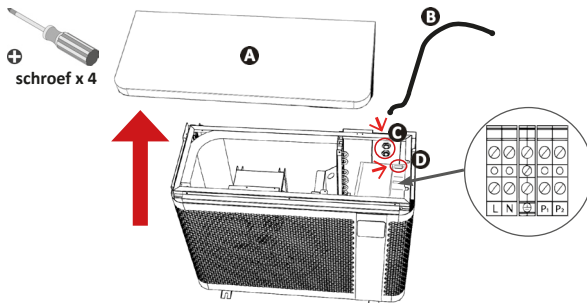


- **Onderbreek de elektrische voeding alvorens werkzaamheden in het apparaat uit te voeren (elektrocutedoorgang). De elektrische voeding moet zodanig verwijderd worden, dat u altijd, vanaf elk willekeurig punt waartoe u toegang heeft, kunt verifiëren of de elektrische voeding nog steeds verwijderd is. Als dat niet mogelijk is, moet u voor uitschakeling via een vergrendelingsstelsel zorgen.**
- **Alleen een ervaren vakman mag de bekabeling in het apparaat uitvoeren of de voedingskabel vervangen.**
- **Ga na of de schroeven van de klemmen goed vastgedraaid zijn (brandgevaar). Niet goed aangedraaide schroeven maken de garantie ongeldig.**
- **Koppel de elektrische voeding niet los wanneer het apparaat in werking is. Als de elektrische voeding onderbroken is, wacht u een minuut alvorens de stroom weer te herstellen.**

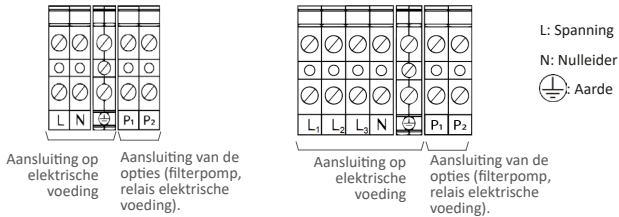


Sluit de unit aan op de elektrische voeding en op de accessoires

Open het bovenste paneel **A** en verwijder het met behulp van een schroevendraaier (4 schroeven) voor toegang tot de klemmenstrook. **B** Steek de voedingskabel in een van de wartels **C** aan de achterkant van het apparaat. Bevestig de voedingskabel in het apparaat door dit in de kabelbinder **D** te steken.



Sluit de voedingskabel als volgt aan op de klemmenstrook in het apparaat.



Aansluiting op elektrische voeding

Aansluiting van de opties (filterpomp, relais elektrische voeding).

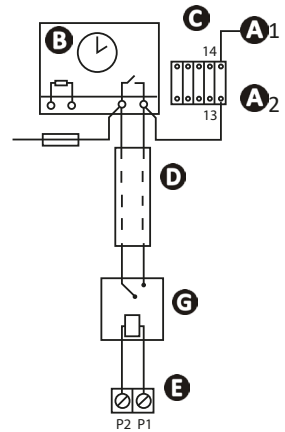
Aansluiting op elektrische voeding

Aansluiting van de opties (filterpomp, relais elektrische voeding).

Klemmenstrook voor eenfasevoeding

Klemmenstrook voor driefasvoeding

Aansluiting van de verwarmingsprioriteit



A1 - A2: Voeding voor de spoel van de vermogensschakelaar van de filterpomp

B: Filterklok

C: Contactor (tweepolig) voor de filterpomp

D: Aparte kabel voor de functie "verwarmingsprioriteit" (niet meegeleverd)

E: Klemmenstrook van de verwarmingspomp

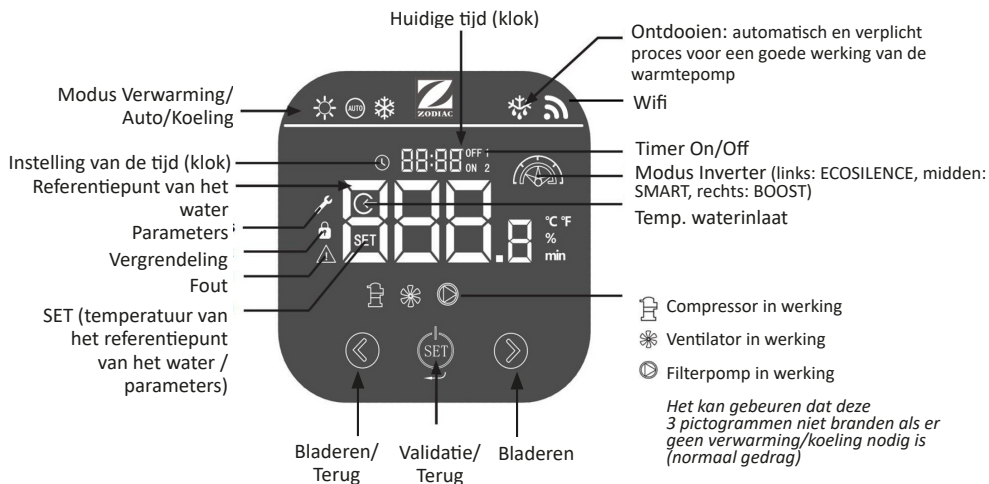
F: Zekering

G: Relais met droog contact/230 V (niet meegeleverd)

Bekabeling en bescherming van de kabels

Model	Elektrische voeding	Max. stroomsterkte	Diameter van de kabel*	Thermische magnetische bescherming (curve D)	
MD3	220 - 240V 1 fase 50-60 Hz	8	RO2V 3x2,5 mm ²	16 A	
MD4		9		16 A	
MD5		13		16 A	
MD6		16		20 A	
MD8		19		RO2V 3x4 mm ²	20 A
MD9		20		25 A	
MD12		30	RO2V 3x6 mm ²	32 A	
TD8	380 - 400V 3 fase 50-60 Hz	8	RO2V 5x2,5 mm ²	10 A	
TD9		9		10 A	
TD12		12		RO2V 5x4 mm ²	16 A

* Dwarsdoorsnede kabel geschikt voor kabels van max. 20 meter. Raadpleeg een elektricien voor grotere lengtes.



Pictogrammen

Modus		Beschrijving
	Verwarming	ECOSILENCE Werking met verminderd vermogen voor meer energiebesparing en een minimaal geluidsniveau. Ideaal om de temperatuur in stand te houden wanneer de buitenlucht hoog is.
		SMART Automatische aanpassing van het vermogen aan de hand van de behoeften. Schakelt automatisch om tussen de modi ECOSILENCE en BOOST.
		BOOST Werking op maximaal vermogen voor een snelle verwarming. Ideaal aan het begin van het seizoen of om de temperatuur in stand te houden wanneer de buitenlucht koud is.
	Verwarming/ Koeling (aanbevolen modus)	SMART De warmtepomp kiest automatisch de meest geschikte werkingsmodus aan de hand van de referentietemperatuur.
	Koelen	ECOSILENCE Het zwembad koelen met verminderd vermogen voor meer energiebesparing en een minimaal geluidsniveau.
		SMART Automatische aanpassing van het vermogen aan de hand van de behoeften. Schakelt automatisch om tussen de modi ECOSILENCE en BOOST.
		BOOST het zwembad koelen met maximaal vermogen voor een snelle koeling.



Het toetsenbord vergrendelen/ontgrendelen



3 seconden



De klok instellen



2 keer drukken.



knippert.



Drukken om het uur in te stellen



Drukken om te wijzigen.



Drukken om te valideren. Nogmaals op SET drukken om de minuten in te stellen.



1 s drukken om te bevestigen en terug te keren naar het hoofdscherm.



Het referentiepunt van de temperatuur instellen



Het toetsenbord ontgrendelen (3 s)

Verifiëren of de compressor werkt:

het pictogram van de werkingsmodus verschijnt.



De temperatuur wijzigen. Het pictogram van de werkingsmodus knippert.

Aanbevolen temperatuur:
28 °C




De werkingsmodi selecteren

De warmtepomp beschikt over 4 werkingsmodi verwarming/koeling om zijn werkingssnelheid aan te passen aan het vereiste vermogen en de geselecteerde modus:

- modus "BOOST"
- modus "SMART"
- modus "ECOSILENCE"
- modus "Auto" (aanbevolen)



Het toetsenbord ontgrendelen (3 s). Daarna op SET drukken.

De indicator  verschijnt.



In de beschikbare modi browsen.



Drukken om te valideren. 2 s. drukken om te starten.



De warmtepomp uitschakelen



Het toetsenbord ontgrendelen (3 s).



2 s drukken. De pomp schakelt enkele minuten uit.



Het pictogram verdwijnt wanneer de compressor niet werkt.



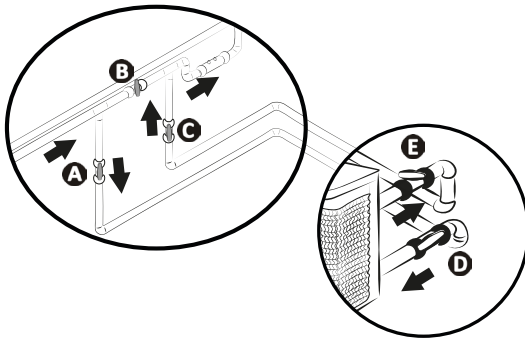
2 s drukken om de compressor weer in te schakelen.




Raadpleeg de online handleiding voor meer details over de werkingsmodi en de timers.



Het hydraulisch circuit openen

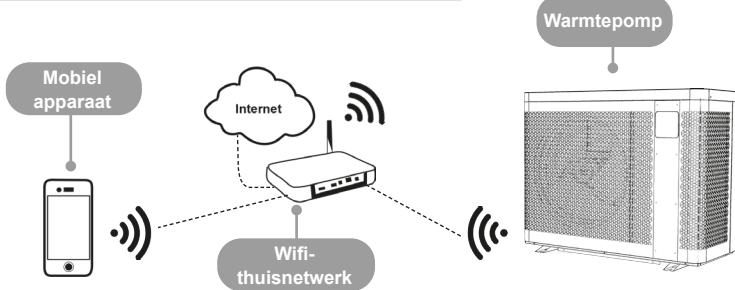


LET OP: een onjuiste by-pass instelling kan een storing van de warmtepomp veroorzaken.

- Sluit de klep B geleidelijk.
- Open de kleppen A, C en D volledig. Open de klep E half (de opgehoopte lucht in de condensor en het filtercircuit wordt nu afgelaten). Als de kleppen D en E afwezig zijn, open A dan volledig en sluit de klep C voor de helft.
- Sluit de elektrische voeding aan op de warmtepomp.
- Als de warmtepomp in stand-by staat, druk dan 3 seconden op : Stel de klok in en selecteer een werkingsmodus.
- Stel de gewenste temperatuur in.



Inloggen op de Fluidra Pool-app



De warmtepomp kan op afstand worden bediend vanaf een smartphone of een tablet via de Fluidra Pool-app die beschikbaar is voor de iOS- en Android-systemen. Zorg, voordat u inlogt op de Fluidra Pool-app, dat u:

- Een met wifi compatibele smartphone of tablet gebruikt.
- Gebruik maakt van een wifi-netwerk waarvan het signaal sterk genoeg is om een verbinding tot stand te brengen met de warmtepomp: het wifi-signaal moet gedetecteerd worden op de plaats waar het apparaat wordt gebruikt. Als dat niet het geval is, moet een technische oplossing verstrekt worden om het aanwezige signaal te versterken.
- Blijft in de buurt van het apparaat en zorg dat u het wachtwoord van het wifi-thuisnetwerk binnen handbereik heeft.

De Fluidra Pool-app downloaden (QR-code op de achterkant van het apparaat)

 Drukken en ingedrukt houden

“SET” knippert

De app openen en de in de app beschreven etappes volgen om de warmtepomp toe te voegen.



Overwintering



2 s drukken en ingedrukt houden om het apparaat uit te schakelen

De elektrische voeding minstens 3 minuten loskoppelen

De klep B openen. De kleppen A en C sluiten en de kleppen D en E openen (in het voorkomende geval)

Het water uit de condensator aftappen om ieder risico op bevriezing te vermijden

De overwinteringshoes plaatsen

- Bij een complete overwintering van het zwembad (volledige uitschakeling van het filtersysteem, aflating van het filtercircuit en leegmaken van het zwembad): de twee connectoren met een slag terugmonteren om het binnendringen van vreemde voorwerpen in de condensator te voorkomen.
- Indien alleen de warmtepomp overwintert (enkel uitschakeling van de verwarming, de filter blijft werken): de twee connectoren niet vastdraaien, maar 2 doppen (meegeleverd) toevoegen op de waterin- en uitgangen van de condensator.
- De overwinteringshoes (meegeleverd) op de warmtepomp plaatsen en daarbij de hydraulische aansluitingen via de hiervoor bedoelde opening laten passeren. Het is niet nodig de hydraulische en elektrische aansluitingen los te koppelen.



- De overwintering is van essentieel belang om iedere breuk van de condensator als gevolg van bevriezing te vermijden (bevriezing zonder overwintering wordt niet door de garantie gedekt).
- Om schade aan het apparaat door condensatie te voorkomen, moet dit niet hermetisch afgedekt worden en moet u de meegeleverde overwinteringshoes gebruiken.



Onderhoud

- Controleer of het ventilatierooster niet verstopt is door vreemde deeltjes.
- Reinig de verdampers met een zachte borstel en een straal schoon water (koppel de voedingskabel los).
- Reinig de condensatorleiding om onzuiverheden te verwijderen die deze zouden kunnen verstopen.
- Controleer of het ventilatierooster van het schakelkastje niet geblokkeerd is.
- Gebruik geen hogedruksluit. Verstuif geen regenwater, zilt water of mineraalrijk water.
- Reinig de buitenkant van het apparaat; gebruik geen producten op basis van oplosmiddelen. U kunt een speciale reinigingskit als accessoire gebruiken: PAC NET.



- Koppel de elektrische voeding niet los wanneer het apparaat in werking is. Als de elektrische voeding onderbroken is, wacht u een minuut alvorens de stroom naar het apparaat weer te herstellen.
- Voordat u onderhouds- of reparatiewerken uitvoert, is het aan te raden om de wifi-verbinding van de modem te deactiveren en zo te vermijden dat het apparaat op afstand kan worden aangestuurd.
- Het wordt aangeraden minstens een keer per jaar algemeen onderhoud aan het apparaat uit te voeren om de goede werking hiervan te garanderen, de prestaties op peil te houden en eventueel bepaalde storingen te vermijden. Deze verrichtingen worden op kosten van de gebruiker uitgevoerd door een monteur.



Raadpleeg de online handleiding voor meer details over de veiligheidsinstructies voor het koelmiddel R32 en de onderhoudstaken die moeten worden uitgevoerd door een vakkundige monteur.



- Voer, voordat u contact opneemt met de dealer, deze eenvoudige controles uit in geval van problemen. Als het probleem niet opgelost kan worden, neem dan contact op met uw dealer.
-  : De acties mogen alleen worden uitgevoerd door een vakkundige monteur.

Gedrag van het apparaat

<p>Het apparaat begint niet meteen met verwarmen</p>	<ul style="list-style-type: none"> • Wanneer het waterdebiet nul of onvoldoende is, zal het apparaat stoppen: controleer of het water goed in het apparaat circuleert en of de hydraulische aansluitingen goed zijn uitgevoerd. • Het apparaat stopt wanneer de buitentemperatuur lager is dan -7 °C.
<p>Het water loost water</p>	<ul style="list-style-type: none"> • Om te controleren of het water niet afkomstig is van een lek in het zwembadcircuit op het apparaat, de filterpomp uitschakelen en weer laten werken zodat het water door het apparaat circuleert. Als het water blijft lekken via de condensafvoer is er een lek in het apparaat: neem dan contact op met uw dealer.
<p>De verdampers is bevroren</p>	<ul style="list-style-type: none"> • Het apparaat zal binnenkort overgaan op de ontdooiingscyclus om het ijs te doen smelten. • Als het apparaat er niet in slaagt de verdampers te doen ontdoeien, zal het automatisch uitschakelen; dit betekent dat de buitentemperatuur te laag is (lager dan -7 °C).
<p>Het apparaat "rookt"</p>	<ul style="list-style-type: none"> • Als het apparaat zich niet in zijn ontdooiingscyclus bevindt, is dat niet normaal. Schakel het apparaat onmiddellijk uit en haal de stekker uit het stopcontact en neem contact op met uw dealer.
<p>Het apparaat werkt niet</p>	<ul style="list-style-type: none"> •  Als er niets op scherm wordt weergegeven, controleer dan de voedingsspanning en zekering F1. • Wanneer het waterdebiet nul of onvoldoende is, zal het apparaat stoppen: controleer of het water goed in het apparaat circuleert.
<p>De ventilator werkt, maar de compressor stopt zo nu en dan zonder foutmelding</p>	<ul style="list-style-type: none"> • Als de buitentemperatuur laag is, voert het apparaat ontdooiingscyclus uit. • Het apparaat slaagt er niet in voldoende calorieën te vangen, want zijn verdampers is vuil. Reinig hem, zodat hij weer goed zal presteren.
<p>Het apparaat werkt, maar de watertemperatuur stijgt niet</p>	<ul style="list-style-type: none"> • De werkingsmodus is niet krachtig genoeg. Ga over op de "BOOST" modus en stel de filtering handmatig in op 24/24, zodat de temperatuur zal stijgen. • Controleer of de automatische vulklep niet in de open stand geblokkeerd is; hierdoor blijft er koud water in het zwembad stromen en kan de temperatuur niet stijgen. • Er is teveel warmteverlies omdat de lucht koel is. Installeer een thermische afdekking op het zwembad. • Het apparaat slaagt er niet in voldoende calorieën te vangen, want zijn verdampers is vuil. Reinig hem, zodat hij weer goed zal presteren. •  Controleer of het apparaat de juiste maat heeft voor dit zwembad en zijn omgeving.
<p>Het apparaat schakelt de stroomonderbreker in</p>	<ul style="list-style-type: none"> •  Controleer of de stroomonderbreker de juiste afmetingen heeft en of de doorsnede van de gebruikte kabel correct is. •  De voedingsspanning is te laag; neem contact op met uw elektriciteitsleverancier.



Raadpleeg de online handleiding voor meer details over de weergave van de foutcodes en de bedradingsschema's.



Prestaties: lucht 26 °C / water 26 °C / luchtvochtigheid 80 %

		MD3	MD4	MD5	MD6	MD8
Afgegeven vermogen (snelheid max. - min.)	kW	7,0 - 2	9,5 - 2,3	13,0 - 2,4	15,0 - 2,5	19,0 - 7,5
Verbruikt vermogen (snelheid max.-min.)	kW	1,1 - 0,15	1,4 - 0,2	2,0 - 0,1	2,5 - 0,15	3,5 - 0,6
Gemiddelde COP (snelheid max. - min.)		6,5 - 13,4	6,7 - 13,5	6,5 - 16,4	6,0 - 16,3	5,6 - 12,5
		MD9	MD12	TD8	TD9	TD12
Afgegeven vermogen (snelheid max. - min.)	kW	24,0 - 6,7	31,0 - 9,2	19,0 - 7,5	24,0 - 6,7	31,0 - 9,2
Verbruikt vermogen (snelheid max.-min.)	kW	4,5 - 0,5	5,6 - 0,7	3,5 - 0,6	4,5 - 0,5	5,6 - 0,7
Gemiddelde COP (snelheid max. - min.)		5,4 - 13,7	5,4 - 13,2	5,6 - 12,5	5,4 - 13,7	5,4 - 13,2

Technische specificaties

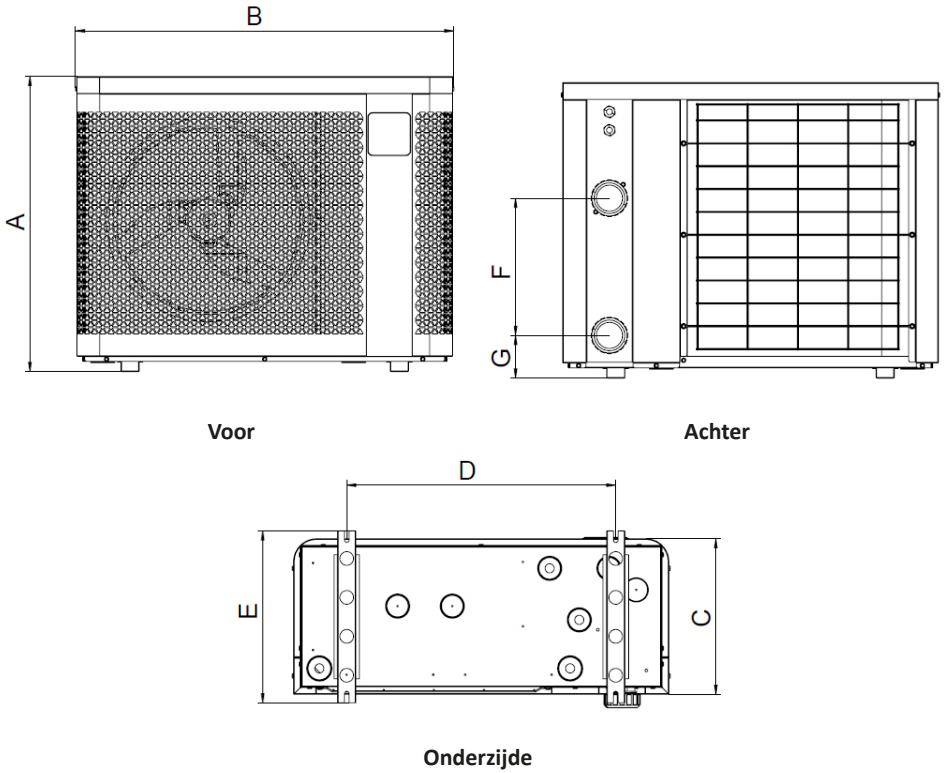
Werkings temperatuur	Lucht	van -7 tot 43 °C
	Water	In de modus "verwarming": 15 tot 40 °C In de modus "koeling": 8 tot 28 °C
Normale werkdruk	Koelmiddel	0,5 tot 42 bar (0,05 tot 4,2 MPa)
	Water	0 tot 2 bar (0 tot 0,2 MPa)
Elektrische voeding		220 - 240 V / 1 fase / 50-60 Hz 380 - 400 V / 3 fasen / 50-60 Hz (uitsluitend TD8, TD9, TD12)
Toelaatbare spanningsvariatie		± 6 % (tijdens de werking)
Hydraulische aansluitingen		2 x PVC-verbindingen, 1/2-aansluitingen Ø 50
Type koelvloeistof		R32
Beschermingsgraad		IPX4
Frequentiebanden	GHz	2,400 - 2,497
Uitzendvermogen radiofrequenties	dBm	+19,5
Plaats van installatie		buiten

Technische specificaties

		MD3	MD4	MD5	MD6	MD8
Nominale opgenomen stroomsterkte	A	4,7	6	8,4	10,7	14
Maximaal stroomverbruik	A	8	9	13	16	19
Minimale kabeldoorsnede*	mm ²	3 x 2,5			3 x 4	
Akoestisch vermogen (max-min)	dB(A)	62-50	65-52		67-54	69
Akoestische druk op 10 m (max-min)	dB(A)	31-19	34-21		36-23	38
Aanbevolen waterdebiet	m ³ /u	3	4	5	6	7
Vulling met koelvloeistof	kg	0,3	0,45	0,6	0,7	1,0
	Ton CO ₂ -equivalent	0,20	0,30	0,41	0,47	0,68
Benaderend gewicht	kg	42,5	44,5	49,5	56	70
		MD9	MD12	TD8	TD9	TD12
Nominale opgenomen stroomsterkte	A	15,3	23	5,2	7,4	9,6
Maximaal stroomverbruik	A	20	30	8	9	12
Minimale kabeldoorsnede*	mm ²	3 x 4	3 x 6	5 x 2,5		5 x 4
Akoestisch vermogen (max-min)	dB(A)	71	74	69	71	74
Akoestische druk op 10 m (max-min)	dB(A)	40	43	38	40	43
Aanbevolen waterdebiet	m ³ /u	8	11	7	8	11
Vulling met koelvloeistof	kg	1,25	1,55	1,0	1,25	1,55
	Ton CO ₂ -equivalent	0,84	1,05	0,68	0,84	1,05
Benaderend gewicht	kg	88,5	107	73,5	92	103

* Waarden ter informatie voor een maximale lengte van 20 meter (berekingsbasis: NFC15-100), moeten worden gecontroleerd en aangepast aan de installatieomstandigheden en de aan normen van het land van installatie.

Afmetingen



Voor

Achter

Onderzijde

	A	B	C	D	E	F	G
MD3	646	823	339,5	590	375	300	93
MD4						260	103
MD5		906		593		330	
MD6	746	1103	359	790	395	350	93
MD8						367	
MD9						430	
MD12	846	1133	509,5	743	545	367	
TD8						430	
TD9						430	
TD12							



ΠΡΟΕΙΔΟΠΟΙΗΣΕΙΣ



Το παρόν εγχειρίδιο περιέχει μόνο βασικές πληροφορίες σχετικά με τα μέτρα ασφαλείας που πρέπει να λαμβάνονται κατά την εγκατάσταση, τη συντήρηση και τη θέση σε λειτουργία. Μπορείτε να διαβάσετε και να κατεβάσετε το πλήρες εγχειρίδιο ως αρχείο PDF στον ιστότοπο: www.zodiac.com. Όλες οι εργασίες συναρμολόγησης, ηλεκτρικής εγκατάστασης και συντήρησης πρέπει να εκτελούνται από εξειδικευμένο και εξουσιοδοτημένο προσωπικό που έχει διαβάσει προσεκτικά το παρόν εγχειρίδιο. Διατηρούμε το δικαίωμα να τροποποιήσουμε, εν όλω ή εν μέρει, τα χαρακτηριστικά των προϊόντων μας ή το περιεχόμενο αυτού του εγγράφου χωρίς προειδοποίηση.



ΓΕΝΙΚΕΣ ΠΡΟΕΙΔΟΠΟΙΗΣΕΙΣ

- Η συσκευή προορίζεται για χρήση σε πισίνες και στα για συγκεκριμένο σκοπό. Δεν πρέπει να χρησιμοποιείται για σκοπούς άλλους από αυτούς για τους οποίους έχει σχεδιαστεί.
- Η μη τήρηση των προειδοποιήσεων μπορεί να προκαλέσει σοβαρή ζημιά στον εξοπλισμό της πισίνας ή σοβαρό τραυματισμό ή θάνατο.
- Αυτή η συσκευή δεν προορίζεται για χρήση από άτομα (συμπεριλαμβανομένων παιδιών) με μειωμένες σωματικές, αισθητηριακές ή διανοητικές ικανότητες, που δεν έχουν εμπειρία και γνώση, εκτός εάν επιβλέπονται ή συμβουλευτούνται για τη χρήση της συσκευής από άτομο υπεύθυνο για την ασφάλειά τους. Τα παιδιά θα πρέπει να επιβλέπονται ώστε να βεβαιωθεί ότι δεν παίζουν με τη συσκευή.
- Αυτή η συσκευή μπορεί να χρησιμοποιηθεί από παιδιά ηλικίας 8 ετών και άνω και από άτομα με σωματική, αισθητηριακή ή νοητική αναπηρία ή έλλειψη εμπειρίας και γνώσης εάν είναι υπό επίβλεψη ή έχουν λάβει οδηγίες σχετικά με την ασφαλή χρήση της συσκευής και αν κατανοούν τους κινδύνους. Τα παιδιά δεν πρέπει να παίζουν με τη συσκευή. Ο καθαρισμός και η συντήρηση δεν πρέπει να εκτελούνται από παιδιά χωρίς παρακολούθηση.
- Η συσκευή πρέπει να εγκαθίσταται σύμφωνα με τις οδηγίες του κατασκευαστή και τηρώντας τους ισχύοντες τοπικούς και εθνικούς κανονισμούς.
- Τα προϊόντα μας δεν μπορούν να συναρμολογηθούν και να εγκατασταθούν παρά μόνο σε πισίνες που συμμορφώνονται με το πρότυπο IEC/HD 60364-7-702 και τους ισχύοντες εθνικούς κανόνες. Η εγκατάσταση πρέπει να συμμορφώνεται με το πρότυπο IEC/HD 60364-7-702 και τους εθνικούς κανόνες που απαιτούνται για τις πισίνες. Συμβουλευτείτε τον τοπικό μεταπωλητή σας για περισσότερες πληροφορίες.

ΠΡΟΕΙΔΟΠΟΙΗΣΕΙΣ ΣΕ ΣΧΕΣΗ ΜΕ ΤΙΣ ΗΛΕΚΤΡΙΚΕΣ ΣΥΣΚΕΥΕΣ

- Το παροχή ρεύματος της συσκευής πρέπει να προστατεύεται από έναν αποκλειστικό διακόπτη διαφορικού 30 mA, σύμφωνα με τα πρότυπα και τους κανονισμούς που ισχύουν στη χώρα όπου είναι εγκατεστημένη.
- Ο εξοπλισμός δεν περιλαμβάνει ηλεκτρικό διακόπτη για απουσύνδεση. Προσθέστε μια διάταξη διακοπής ρεύματος στην καλωδίωση στερέωσης, κατηγορίας τουλάχιστον OVC III, σύμφωνα με την ισχύουσα εθνική νομοθεσία.
- Εάν το καλώδιο τροφοδοσίας έχει υποστεί ζημιά, πρέπει να αντικατασταθεί μόνο από τον κατασκευαστή, τον εξουσιοδοτημένο αντιπρόσωπο ή ένα συνεργείο επισκευών.

ΠΡΟΕΙΔΟΠΟΙΗΣΕΙΣ ΣΕ ΣΧΕΣΗ ΜΕ ΤΙΣ ΣΥΣΚΕΥΕΣ ΠΟΥ ΠΕΡΙΧΟΥΝ ΨΥΚΤΙΚΟ ΜΕΣΟ R32



- Αυτή η συσκευή περιέχει ψυκτικό υγρό R32, κατηγορίας A2L, το οποίο θεωρείται δυνητικά εύφλεκτο.
- Μην απελευθερώνετε το ψυκτικό μέσο R32 στην ατμόσφαιρα. Το ψυκτικό αυτό είναι φθοροίχο αέριο του θερμοκλίπιο, το οποίο καλύπτεται από το Πρωτόκολλο του Κιότο, με δυναμικό υπερθέρμανσης του πλανήτη (GWP) = 675 (Καν. (ΕΕ) αριθ. 517/2014).
- Προκειμένου να συμμορφώνεστε με τα σχετικά πρότυπα και τους κανονισμούς για το περιβάλλον και την εγκατάσταση, συμπεριλαμβανομένου του διατάγματος αριθ. 2015-1790 ή/και του κανονισμού 517/2014 της ΕΕ, πρέπει να διεξάγεται δοκιμή διαρροής στο κύκλωμα ψύξης κατά τη θέση σε λειτουργία τουλάχιστον μία φορά το χρόνο. Αυτή η δοκιμή πρέπει να διεξάγεται από εξειδικευμένο και πιστοποιημένο επαγγελματία στον εξοπλισμό ψύξης.
- Εγκαταστήστε τη μονάδα σε εξωτερικό χώρο. Μην τοποθετείτε τη μονάδα σε εσωτερικό χώρο ή σε κλειστή, μη αεριζόμενη περιοχή σε εξωτερικούς χώρους.
- Η συσκευή πρέπει να αποθηκεύεται σε χώρο στον οποίο δεν υπάρχει πηγή σπινθήρων σε συνεχή λειτουργία (για παράδειγμα: ανοικτές φλόγες, συσκευή αερίου ή ηλεκτρικής θέρμανσης σε λειτουργία).
- Για περισσότερες πληροφορίες, ανατρέξτε στις οδηγίες ασφαλείας για συσκευές που περιέχουν αέριο R32 στην πλήρη έκδοση του εγχειριδίου, η οποία εξηγεί τον έλεγχο των ζωνών του χώρου, τη διαδικασία εργασίας, τον γενικό χώρο εργασίας, τον έλεγχο της παρουσίας ψυκτικού μέσου, την παρουσία πυροβόλησης, την απουσία πηγής σπινθήρων, τον αερισμό της περιοχής, τον έλεγχο του ψυκτικού εξοπλισμού, τον έλεγχο των ηλεκτρικών εξαρτημάτων, την επισκευή των απομονωμένων εξαρτημάτων, την επισκευή εγγενών εξαρτημάτων, την καλωδίωση, την ανίχνευση εύφλεκτου ψυκτικού, την απόσυρση και απόρριψη, τις διαδικασίες φόρτισης και αποσυναρμολόγησης.
- Έχετε υπόψη ότι το ψυκτικό R32 μπορεί να μην προκαλέσει κάποια οσμή.
- Μην χρησιμοποιείτε κανένα μέσο επιτάχυνσης της διαδικασίας απόψυξης ή καθαρισμού, εκτός εκείνων που συνιστώνται από τον κατασκευαστή.
- Μην τρυπάτε ούτε καίτε.

ΕΓΚΑΤΑΣΤΑΣΗ ΚΑΙ ΣΥΝΤΗΡΗΣΗ

- Η διαδικασία αυτή πρέπει να πραγματοποιείται μόνο από πρόσωπα ειδικευμένα στους συγκεκριμένους τεχνικούς τομείς (ηλεκτρολόγους, υδραυλικούς ή ψυκτικούς) τα οποία είναι εξουσιοδοτημένα να διεξάγουν εργασίες συντήρησης ή επισκευής της συσκευής.
- Η συσκευή δεν πρέπει να εγκατασταθεί κοντά σε εύφλεκτα υλικά ή στην είσοδο αεραγωγού ή σε παρακείμενο κτίριο.
- Κατά τη συντήρηση της συσκευής, ελέγξτε τη σύνθεση και την κατάσταση του μέσου μεταφοράς θερμότητας καθώς και την απουσία ιχνών ψύξης μέσου.
- Κατά τον ετήσιο έλεγχο στεγανότητας της συσκευής, σύμφωνα με τους ισχύοντες νόμους, ελέγχετε ότι οι πιεζοστάτες υψηλής και χαμηλής πίεσης είναι σωστά συνδεδεμένοι με το κύκλωμα ψύξης και ότι σε περίπτωση ενεργοποίησης διακόπτη το ηλεκτρικό κύκλωμα.
- Κατά τις εργασίες συντήρησης, βεβαιωθείτε ότι δεν υπάρχουν ίχνη διάβρωσης ή λαδιού γύρω από τα εξαρτήματα ψύξης.
- Πριν ξεκινήσετε εργασίες στο κύκλωμα ψύξης, σταματήστε τη συσκευή και περιμένετε λίγα λεπτά πριν τοποθετήσετε τους αισθητήρες θερμοκρασίας και πίεσης. Ορισμένα στοιχεία όπως ο συμπιεστής και οι αλληλεπιδράσεις μπορεί να φτάσουν σε θερμοκρασίες πάνω από 100°C και υψηλές πιέσεις που μπορεί να προκαλέσουν σοβαρά εγκαύματα.



ΠΡΟΕΙΔΟΠΟΙΗΣΕΙΣ



ΠΡΟΔΙΑΓΡΑΦΕΣ ΤΟΥ ΨΥΚΤΙΚΟΥ

Έλεγχος του χώρου

- Πριν από την έναρξη εργασιών σε συστήματα που περιέχουν εύφλεκτα ψυκτικά μέσα, απαιτούνται έλεγχοι ασφαλείας για να μειωθεί ο κίνδυνος εμφάνισης σπινθήρων.

Διαδικασία εργασίας

- Οι εργασίες πρέπει να εκτελούνται σύμφωνα με ελεγχόμενη διαδικασία για τη μείωση του κινδύνου παρουσίας εύφλεκτων αερίων ή ατμών κατά τη διάρκεια της εργασίας.

Γενικός χώρος εργασίας

- Το προσωπικό συντήρησης και οι υπόλοιποι που εργάζονται στον χώρο πρέπει να ενημερώνονται για την εργασία που εκτελείται. Η εργασία σε περιορισμένους χώρους πρέπει να αποφεύγεται.

Έλεγχος παρουσίας ψυκτικού υγρού

- Ο χώρος θα πρέπει να ελέγχεται με κατάλληλο ανιχνευτή ψυκτικού πριν και κατά τη διάρκεια της εργασίας για να διασφαλιστεί ότι ο τεχνικός έχει ειδοποιηθεί για πιθανώς τοξική ή εύφλεκτη ατμόσφαιρα. Βεβαιωθείτε ότι ο εξοπλισμός ανίχνευσης διαρροών που χρησιμοποιείται είναι κατάλληλος για τη χρήση όλων των σχετικών ψυκτικών μέσων, δηλαδή δεν παράγει σπινθήρα, είναι σωστά μονωμένος και απολύτως ασφαλής.

Έλεγχος παρουσίας πυροσβεστήρα

- Εάν πρόκειται να πραγματοποιηθούν εργασίες με συγκεκριμένη θερμοκρασία στον εξοπλισμό ψύξης ή σε οποιοδήποτε σχετικό μέρος, πρέπει να είναι διαθέσιμος ο κατάλληλος εξοπλισμός πυροσβεσης. Κοντά στο χώρο φόρτισης πρέπει να υπάρχει πυροσβεστήρας σκόνης ή CO₂.

Απουσία πηγής ανάφλεξης

- Απαγορεύεται σε οποιοδήποτε άτομο που εκτελεί εργασίες σε σύστημα ψύξης που περιλαμβάνει έκθεση των σωληνώσεων να χρησιμοποιεί πηγές ανάφλεξης με τρόπο που θα μπορούσε να οδηγήσει σε κίνδυνο πυρκαγιάς ή έκρηξης. Όλες οι πιθανές πηγές ανάφλεξης, ιδίως από τσιγάρο, πρέπει να φυλάσσονται σε ασφαλή απόσταση από τον χώρο εγκατάστασης, επισκευής, απομάκρυνσης και απόρριψης, όταν ενδέχεται να απελευθερωθεί ψυκτικό μέσο στη γύρω περιοχή. Πριν από την έναρξη των εργασιών, η περιοχή γύρω από τον εξοπλισμό πρέπει να εξεταστεί για να εξασφαλιστεί ότι δεν υπάρχει κίνδυνος ανάφλεξης ή σπινθήρων. Πρέπει να αναρτηθούν πινακίδες «απαγορεύεται το κάπνισμα».

Εξαερισμός του χώρου

- Πριν αποκτήσετε πρόσβαση στη μονάδα με οποιοδήποτε τρόπο για οποιαδήποτε συντήρηση, βεβαιωθείτε ότι ο χώρος είναι ανοιχτός και σωστά αεριζόμενος. Κατά τη συντήρηση της μονάδας θα πρέπει να διατηρείται επαρκής αερισμός, ώστε να επιτρέπεται η ασφαλής διασπορά οποιουδήποτε ψυκτικού μέσου που μπορεί να απελευθερωθεί ακούσια στην ατμόσφαιρα.

ΠΛΗΡΟΦΟΡΙΕΣ ΓΙΑ ΠΡΟΪΟΝΤΑ ΜΕ ΣΥΝΔΕΣΙΜΟΤΗΤΑ (σύμφωνα με την οδηγία RED)

Δήλωση συμμόρφωσης

Η Zodiac δηλώνει με το παρόν ότι ο ραδιοεξοπλισμός της σειράς PX25 συμμορφώνεται με την Οδηγία 2014/53/EE. Το πλήρες κείμενο της Ευρωπαϊκής Δήλωσης Συμμόρφωσης είναι διαθέσιμο στην ακόλουθη διεύθυνση: <https://www.zodiac-poolcare.com/>.

1 Εγκατάσταση της συσκευής

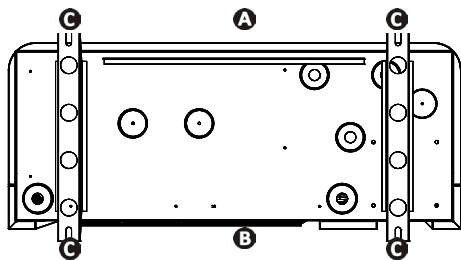


1 Εγκατάσταση



- Η συσκευή πρέπει να εγκατασταθεί σε εξωτερικό χώρο, σε ελάχιστη απόσταση 2 μέτρων από την άκρη της πισίνας.

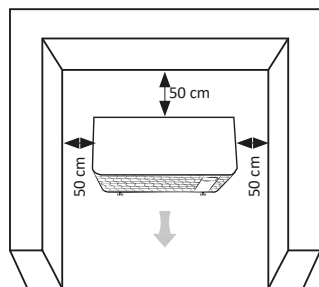
Τοποθετήστε τη συσκευή στα αντικραδασμικά σημεία (παρέχονται με τη συσκευή) σε σταθερή, ανθεκτική και επίπεδη επιφάνεια.



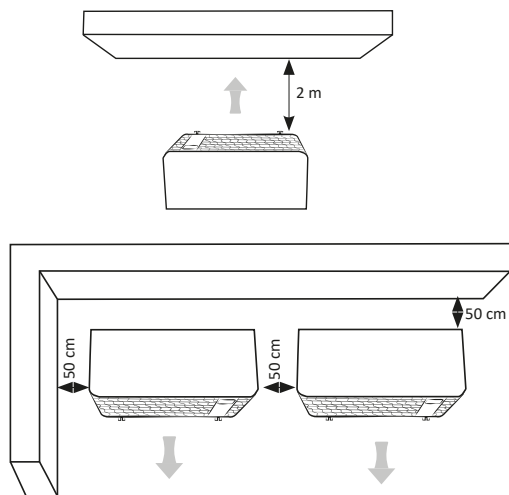
- A**: Μπροστά
- B**: Πίσω
- C**: Αντικραδασμικά σημεία

Κάτοψη της βάσης της συσκευής από κάτω για να τοποθετήσετε τις αντικραδασμικές βάσεις

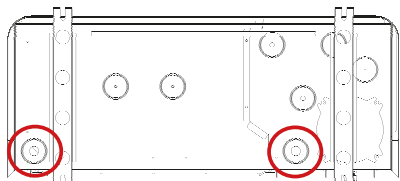
Επιλέξτε τη θέση



Ελάχιστες αποστάσεις



Εκκενώστε τα συμπυκνώματα: Ανασηκώστε τη συσκευή τουλάχιστον 10 cm με τις αντικραδασμικές βάσεις και τοποθετήστε τους δύο σωλήνες αποστράγγισης συμπυκνωμάτων που βρίσκονται κάτω από τη βάση της μονάδας.



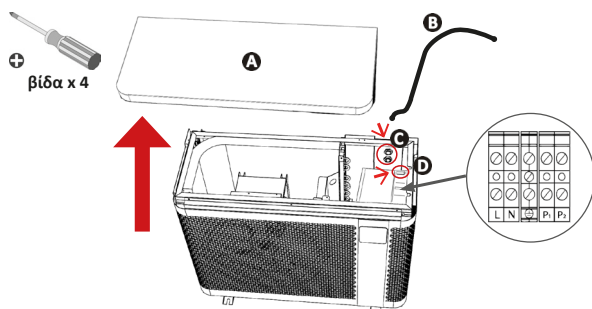
Συμβουλευτείτε το ηλεκτρονικό εγχειρίδιο για περισσότερες λεπτομέρειες σχετικά με τις προφυλάξεις εγκατάστασης και τις υδραυλικές συνδέσεις.



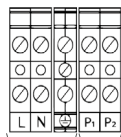
- Διακόψτε την ηλεκτρική τροφοδοσία πριν από οποιαδήποτε επέμβαση στο εσωτερικό της συσκευής (κίνδυνος ηλεκτροπληξίας). Η διακοπή της ηλεκτρικής τροφοδοσίας θα πρέπει να γίνεται έτσι ώστε να μπορείτε να ελέγχετε πάντα, από οποιοδήποτε σημείο στο οποίο έχετε πρόσβαση, ότι το τροφοδοτικό έχει αφαιρεθεί. Εάν αυτό δεν είναι δυνατό, πρέπει να σφραγιστεί σε αποσύνδεση με σύστημα κλειδώματος.
- Οι εργασίες με καλωδίωση μέσα στη συσκευή ή η αντικατάσταση του καλωδίου τροφοδοσίας πρέπει να πραγματοποιούνται μόνο από ειδικευμένο και έμπειρο τεχνικό.
- Βεβαιωθείτε ότι οι βίδες των ακροδεκτών είναι σφικμένες καλά (κίνδυνος πυρκαγιάς). Οι ακατάλληλα σφικμένες βίδες ακροδεκτών θα ακυρώσουν την εγγύηση.
- Μην διακόπτετε την παροχή ρεύματος ενώ η συσκευή είναι σε λειτουργία. Εάν διακοπεί η παροχή ρεύματος, περιμένετε ένα λεπτό πριν την ενεργοποιήσετε ξανά.

Συνδέστε τη μονάδα στην παροχή ρεύματος και τα εξαρτήματα.

Ανοίξτε και αφαιρέστε τον επάνω πίνακα **A** χρησιμοποιώντας ένα κατασαβίδι (4 βίδες) για πρόσβαση στο μπλοκ ηλεκτρικών ακροδεκτών. **B** Εισαγάγετε το καλώδιο τροφοδοσίας σε έναν από τους στυπιοθλίπτες καλωδίων **C** στο πίσω μέρος της συσκευής. Στη συσκευή, στερεώστε το καλώδιο τροφοδοσίας εισάγοντάς το μέσα από τον δετήρα καλωδίου **D**.

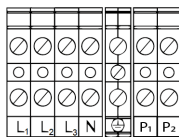


Συνδέστε το καλώδιο τροφοδοσίας στο μπλοκ ακροδεκτών στο εσωτερικό της συσκευής όπως φαίνεται.



Σύνδεση στην παροχή ρεύματος

Σύνδεση προαιρετικών εξαρτημάτων (αντλία φίλτρανσης, ρελέ τροφοδοσίας).



Σύνδεση στην παροχή ρεύματος

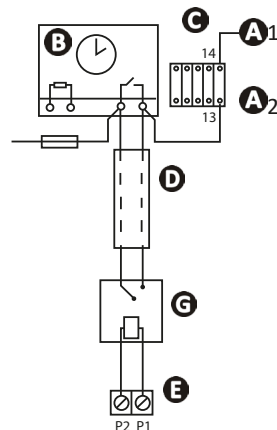
Σύνδεση προαιρετικών εξαρτημάτων (αντλία φίλτρανσης, ρελέ τροφοδοσίας).

L: Τάση
N: Ουδέτερη
 Γείωση

Μπλοκ ακροδεκτών για μονοφασική τροφοδοσία

Μπλοκ ακροδεκτών για τριφασική τροφοδοσία

Σύνδεση της προτεραιότητας θέρμανσης

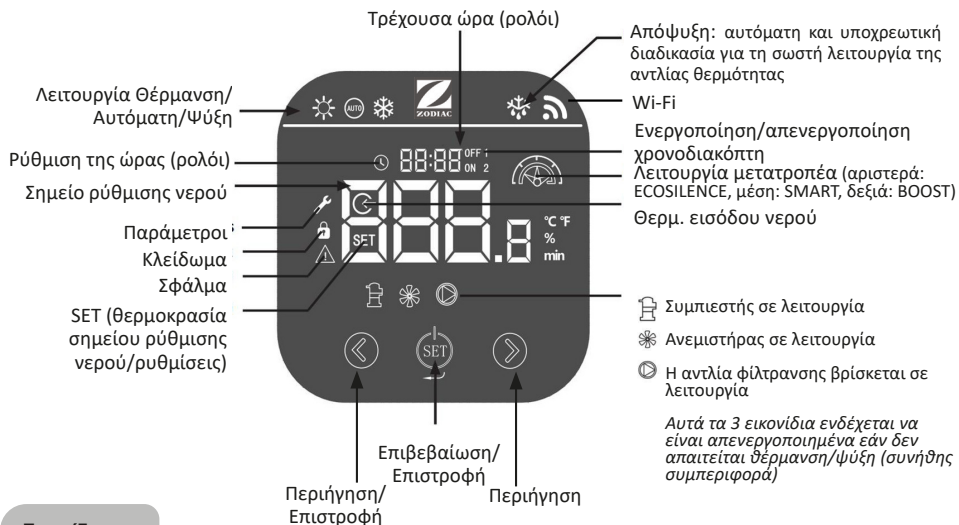


- A1 - A2:** Τροφοδοσία του πηνίου του επαφά ισχύος της αντλίας φίλτρανσης
- B:** Ρολόι φίλτρανσης
- C:** Επαφές (διπολικός) για την αντλία φίλτρανσης
- D:** Εξχωριστό καλώδιο σύνδεσης για τη λειτουργία «προτεραιότητα θέρμανσης» (δεν παρέχεται)
- E:** Μπλοκ ακροδεκτών της αντλίας θέρμανσης
- F:** Ασφάλεια
- G:** Ρελέ ξηρής επαφής/230 V (δεν παρέχεται)

Καλωδίωση και προστασία καλωδίων

Μοντέλο	Παροχή ρεύματος	Μέγιστο φορτίο	Διάμετρος καλωδίου*	Θερμική μαγνητική προστασία (καμπύλη D)
MD3	220 - 240 V 1 φάση 50-60 Hz	8	RO2V 3x2,5 mm ²	16 A
MD4		9		16 A
MD5		13		16 A
MD6		16		20 A
MD8		19		20 A
MD9		20		25 A
MD12		30	RO2V 3x6 mm ²	32 A
TD8	380 - 400 V 3 φάση 50-60 Hz	8	RO2V 5x2,5 mm ²	10 A
TD9		9		10 A
TD12		12		RO2V 5x4 mm ²

* Διατομή καλωδίου κατάλληλη για καλώδια έως 20 μέτρα. Για μεγαλύτερα μήκη, συμβουλευτείτε έναν ηλεκτρολόγο.



Εικονίδια

Λειτουργία		Περιγραφή
	Θέρμανση	ECOSILENCE Μειωμένη λειτουργία ισχύος για περισσότερη εξοικονόμηση ενέργειας και ελάχιστο επίπεδο θορύβου. Ιδανικό για διατήρηση της θερμοκρασίας όταν η εξωτερική θερμοκρασία του αέρα είναι υψηλή.
		SMART Αυτόματη ρύθμιση ισχύος ανάλογα με τις ανάγκες. Αυτόματη εναλλαγή μεταξύ των λειτουργιών ECOSILENCE και BOOST.
		BOOST Λειτουργία μέγιστης ισχύος για γρήγορη θέρμανση. Ιδανικό στην αρχή της σεζόν για να ανεβάσει ή να διατηρήσει τη θερμοκρασία όταν ο εξωτερικός αέρας είναι κρύος.
	Θέρμανση/ ψύξη (προτεινόμενη λειτουργία)	SMART Η αντλία θερμότητας επιλέγει αυτόματα τον καταλληλότερο τρόπο λειτουργίας ανάλογα με τη θερμοκρασία ρύθμισης.
	Ψύξη	ECOSILENCE Ψύξη της πύσσινας με μειωμένη ισχύ για περισσότερη εξοικονόμηση ενέργειας και ελάχιστο επίπεδο θορύβου.
		SMART Αυτόματη ρύθμιση ισχύος ανάλογα με τις ανάγκες. Αυτόματη εναλλαγή μεταξύ των λειτουργιών ECOSILENCE και BOOST.
		BOOST Ψύξη της πύσσινας στη μέγιστη ισχύ για γρήγορη ανανέωση.



Κλειδίωμα/
ξεκλειδίωμα
του πληκτρολογίου



3 δευτερόλεπτα



Ρύθμιση του ρολογιού



Πατήστε 2 φορές.
Το αναβοσβήνει.



Πατήστε για ρύθμιση της
ώρας



Πατήστε για τροποποίηση.



Πατήστε για επιβεβαίωση.
Πατήστε ξανά το SET για να
ρυθμίσετε τα λεπτά.



Πατήστε για 1 δευτερόλεπτο για
επιβεβαίωση και επιστροφή στην
κύρια οθόνη.



Ρύθμιση του σημείου ρύθμισης της θερμοκρασίας



Ξεκλειδώστε το πληκτρολόγιο
(3 δευτερόλεπτα)

Ελέγξτε ότι ο συμπιεστής
λειτουργεί:

εμφανίζεται το εικονίδιο
του τρόπου λειτουργίας.



Αλλάξτε τη θερμοκρασία.
Το εικονίδιο του τρόπου
λειτουργίας αναβοσβήνει.

Συνιστώμενη θερμοκρασία:
28 °C



Επιλογή των τρόπων λειτουργίας

Η αντλία θερμότητας έχει
4 τρόπους λειτουργίας
θέρμανσης/ψύξης για να
προσαρμόσει την ταχύτητα
λειτουργίας της στην
απαιτούμενη ισχύ και
στον επιλεγμένο τρόπο
λειτουργίας:

- Τρόπος λειτουργίας «BOOST»
- Τρόπος λειτουργίας «SMART»
- Τρόπος λειτουργίας «ECOSILENCE»
- Τρόπος λειτουργίας «Auto»
(προτεινόμενος)



Ξεκλειδώστε το πληκτρολόγιο
(3 δευτερόλεπτα). Έπειτα,
πατήστε το SET.

Εμφανίζεται η ένδειξη



Πλοηγηθείτε στους
διαθέσιμους τρόπους.



Πατήστε για επιβεβαίωση.
Πατήστε για 2 δευτερόλεπτα
για έναρξη.



Απενεργοποίηση της αντλίας θερμότητας



Ξεκλειδώστε το
πληκτρολόγιο (3
δευτερόλεπτα).



Πατήστε για 2 δευτερόλεπτα.
Η αντλία θα σταματήσει μετά
από λίγα λεπτά.



Το εικονίδιο εξαφανίζεται
όταν ο συμπιεστής δεν
λειτουργεί.



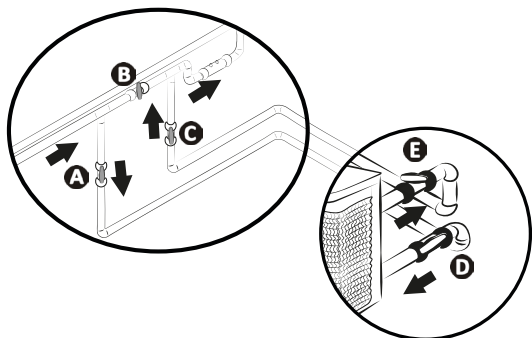
Πατήστε για 2 δευτερόλεπτα
για να ενεργοποιήσετε ξανά
τον συμπιεστή.




Συμβουλευτείτε το ηλεκτρονικό
εγχειρίδιο για περισσότερες
λεπτομέρειες σχετικά με τους τρόπους
λειτουργίας και τους χρονοδιακόπτες.



Ανοίξτε το υδραυλικό κύκλωμα



ΠΡΟΣΟΧΗ: Μια λανθασμένη ρύθμιση παράκαμψης μπορεί να προκαλέσει δυσλειτουργία της αντλίας θερμότητας.

- Κλείστε σταδιακά τη βαλβίδα B.
- Ανοίξτε εντελώς τις βαλβίδες A, C και D. Ανοίξτε τη βαλβίδα E κατά το ήμισυ (ο αέρας στον συμπυκνωτή και το κύκλωμα φίλτρασης θα καθαριστεί). Εάν δεν υπάρχουν βαλβίδες D και E, ανοίξτε τη βαλβίδα A εντελώς και κλείστε τη βαλβίδα C μέχρι τη μέση.
- Συνδέστε την αντλία θερμότητας στο ρεύμα.
- Εάν η αντλία θερμότητας βρίσκεται σε κατάσταση αναμονής, πιάστε το  για 3 δευτερόλεπτα: Ρυθμίστε το ρολόι επιλέγοντας έναν τρόπο λειτουργίας.
- Ρυθμίστε την επιθυμητή θερμοκρασία.



Συνδεθείτε με την εφαρμογή Fluidra Pool



Η αντλία θερμότητας μπορεί να ελέγχεται εξ αποστάσεως από ένα smartphone ή tablet μέσω της εφαρμογής Fluidra Pool που διατίθεται σε συστήματα iOS και Android. Πριν ξεκινήσετε τη σύνδεση με την εφαρμογή Fluidra Pool, βεβαιωθείτε ότι:

- Χρησιμοποιείτε ένα smartphone ή tablet συμβατό με Wi-Fi.
- Χρησιμοποιήστε ένα δίκτυο Wi-Fi με αρκετά ισχυρό σήμα κατά τη σύνδεση στην αντλία θερμότητας: Το σήμα του Wi-Fi πρέπει να είναι ανιχνεύσιμο στο σημείο που χρησιμοποιείται η συσκευή. Εάν δεν συμβαίνει αυτό, πρέπει να δοθεί τεχνική λύση για την ενίσχυση του υπάρχοντος σήματος.
- Μείντε κοντά στη συσκευή και έχετε τον κωδικό πρόσβασης του οικιακού δικτύου Wi-Fi.

Κατεβάστε την εφαρμογή Fluidra Pool (κωδικός QR στην οπίσθια πλευρά της συσκευής)



Πατήστε και κρατήστε πατημένο

Το «SET» αναβοσβήνει

Ανοίξτε την εφαρμογή και ακολουθήστε τα βήματα που περιγράφονται στην εφαρμογή για να προσθέσετε την αντλία θερμότητας.



Προετοιμασία για τη χειμερινή περίοδο



Πατήστε και κρατήστε πατημένο για 2 δευτερόλεπτα για να απενεργοποιήσετε τη συσκευή

Αποσυνδέστε την ηλεκτρική τροφοδοσία για τουλάχιστον 3 λεπτά

Ανοίξτε τη βαλβίδα Β. Κλείστε τις βαλβίδες Α και C και ανοίξτε τις βαλβίδες D και E (κατά περίπτωση)

Αδειάστε το νερό από τον συμπυκνωτή για να αποφύγετε τον κίνδυνο παγετού

Τοποθετήστε το κάλυμμα χειμερινής περιόδου

- Σε περίπτωση πλήρους προετοιμασίας της πισίνας για τη χειμερινή περίοδο (πλήρης διακοπή λειτουργίας του συστήματος φίλτρανσης, εκκένωση του κυκλώματος φίλτρανσης ή άδειασμα της πισίνας): επανατοποθετήστε τους δύο συνδέσμους με μια περιστροφή για να αποτρέψετε οποιαδήποτε διείσδυση ξένων σωμάτων στον συμπυκνωτή.
- Σε περίπτωση προετοιμασίας για τη χειμερινή περίοδο μόνο της αντλίας θερμότητας (διακοπή της θέρμανσης μόνο, η φίλτρανση συνεχίζει να λειτουργεί): μην σφίγγετε τους συνδέσμους, αλλά προσθέστε 2 πώματα (παρέχονται) στις εισόδους και εξόδους νερού του συμπυκνωτή.
- Τοποθετήστε το κάλυμμα χειμερινής περιόδου (παρέχεται) στην αντλία θερμότητας περνώντας τις υδραυλικές συνδέσεις από το άνοιγμα που προβλέπεται για το σκοπό αυτό. Δεν είναι απαραίτητο να αποσυνδέσετε τις υδραυλικές και ηλεκτρικές συνδέσεις.



- Η προετοιμασία για τη χειμερινή περίοδο είναι απαραίτητη για την αποφυγή τυχόν θραύσης του συμπυκνωτή λόγω παγετού (ο παγετός χωρίς προετοιμασία για τη χειμερινή περίοδο δεν καλύπτεται από την εγγύηση).
- Προς αποφυγή της πρόκλησης ζημιάς στη συσκευή λόγω της συμπύκνωσης, μη την σκεπάζετε ερμητικά, χρησιμοποιήστε το παρεχόμενο κάλυμμα χειμερινής περιόδου.



Συντήρηση

- Βεβαιωθείτε ότι η σχάρα εξαιρισμού δεν εμποδίζεται από ξένα αντικείμενα.
- Καθαρίστε τον εξατμιστή χρησιμοποιώντας μια μαλακή βούρτσα και ένα μηχάνημα εκτόξευσης γλυκού νερού (αποσυνδέστε το καλώδιο τροφοδοσίας).
- Καθαρίστε τον σωλήνα αποστράγγισης συμπυκνωμάτων για να αφαιρέσετε τυχόν ακαθαρσίες που θα μπορούσαν να τον φράξουν.
- Βεβαιωθείτε ότι η σχάρα εξαιρισμού του κιβωτίου διακόπτη είναι καθαρή.
- Μην χρησιμοποιείτε ψεκάσμο υψηλής πίεσης. Μην ψεκάζετε με βρόχινο νερό, αλμυρό νερό ή νερό με υψηλή περιεκτικότητα σε μεταλλικά στοιχεία.
- Καθαρίστε το εξωτερικό της συσκευής; μην χρησιμοποιείτε προϊόντα με βάση διαλύτες. Μπορείτε να χρησιμοποιήσετε ένα συγκεκριμένο kit καθαρισμού ως εξάρτημα: το PAC NET.




- Μην διακόπτετε την παροχή ρεύματος ενώ η συσκευή είναι σε λειτουργία. Εάν διακοπεί η παροχή ρεύματος, περιμένετε ένα λεπτό πριν την ενεργοποιήσετε ξανά.
- Πριν από οποιαδήποτε συντήρηση, αποκατάσταση ή επισκευή, συνιστάται να απενεργοποιήσετε τη σύνδεση Wi-Fi από το ρούτερ για να αποφύγετε τυχόν κίνδυνο απομακρυσμένου ελέγχου της συσκευής.
- Συνιστάται η γενική συντήρηση της μονάδας να πραγματοποιείται τουλάχιστον μία φορά το χρόνο για να διασφαλίζεται η σωστή λειτουργία, να διατηρούνται τα επίπεδα απόδοσης και να αποφεύγονται ορισμένες βλάβες. Οι εργασίες αυτές πραγματοποιούνται από τεχνικό με έξοδα του χρήστη.







Ανατρέξτε στο ηλεκτρονικό εγχειρίδιο για λεπτομέρειες σχετικά με τις προφυλάξεις ασφαλείας του ψυκτικού μέσου R32 και τις εργασίες συντήρησης που πρέπει να εκτελούνται από εξειδικευμένο τεχνικό.



- Πριν επικοινωνήσετε με τον αντιπρόσωπο, πραγματοποιήστε αυτούς τους απλούς ελέγχους σε περίπτωση προβλήματος. Εάν το πρόβλημα παραμένει, επικοινωνήστε με τον μεταπωλητή σας.
-  : Οι ενέργειες αυτές πρέπει να πραγματοποιούνται από ειδικευμένο τεχνικό μόνο.

Συμπεριφορά της συσκευής

<p>Η συσκευή δεν ξεκινά αμέσως τη θέρμανση</p>	<ul style="list-style-type: none"> • Όταν η ροή νερού είναι μηδενική ή ανεπαρκής, η συσκευή σταματά: ελέγξτε ότι το νερό κυκλοφορεί σωστά στη συσκευή και ότι έχουν γίνει οι υδραυλικές συνδέσεις. • Η συσκευή σταματά όταν η εξωτερική θερμοκρασία πέσει κάτω από -7°C.
<p>Η συσκευή αδειάζει νερό</p>	<ul style="list-style-type: none"> • Για να ελέγξετε ότι το νερό δεν προέρχεται από διαρροή στο κύκλωμα της πσίνας στη συσκευή, απενεργοποιήστε και ενεργοποιήστε την αντλία φίλτρανσης για να κυκλοφορήσει το νερό στη συσκευή. Εάν εξακολουθεί να αδειάζεται νερό μέσω των σωλήνων αποστράγγισης συμπυκνωμάτων, υπάρχει διαρροή νερού στη συσκευή: επικοινωνήστε με τον μεταπωλητή σας.
<p>Ο εξατμιστής έχει παγώσει</p>	<ul style="list-style-type: none"> • Η συσκευή σύντομα θα περάσει στον κύκλο απόψυξης για να λιώσει ο πάγος. • Εάν η συσκευή δεν καταφέρει να ξεπαγώσει τον εξατμιστή, θα κλείσει μόνη της. Σημαίνει ότι η εξωτερική θερμοκρασία είναι πολύ χαμηλή (κάτω από -7°C).
<p>Η συσκευή «καπνίζει»</p>	<ul style="list-style-type: none"> • Εάν η συσκευή δεν βρίσκεται στον κύκλο απόψυξης, αυτό δεν είναι φυσιολογικό. Απενεργοποιήστε και αποσυνδέστε τη συσκευή αμέσως και επικοινωνήστε με τον μεταπωλητή σας.
<p>Η συσκευή δεν λειτουργεί</p>	<ul style="list-style-type: none"> •  Εάν δεν εμφανίζεται κάτι στην οθόνη, ελέγξτε την τάση τροφοδοσίας και την ασφάλεια F1. • Όταν η ροή νερού είναι μηδενική ή ανεπαρκής, η συσκευή σταματά: ελέγξτε ότι το νερό κυκλοφορεί σωστά στην αντλία θερμότητας.
<p>Ο ανεμιστήρας λειτουργεί αλλά ο συμπιεστής σταματά κατά διαστήματα χωρίς μήνυμα σφάλματος</p>	<ul style="list-style-type: none"> • Αν η εξωτερική θερμοκρασία είναι χαμηλή, η συσκευή θα εκτελέσει κύκλους απόψυξης. • Η συσκευή δεν καταφέρνει να αιχμαλωτίζονται αρκετές θερμίδες επειδή ο εξατμιστής της είναι φραγμένος. Καθαρίστε τον για να επαναφέρετε την απόδοσή του.
<p>Η συσκευή λειτουργεί αλλά η θερμοκρασία του νερού δεν αυξάνεται</p>	<ul style="list-style-type: none"> • Ο τρόπος λειτουργίας δεν είναι αρκετά ισχυρός. Μεταβείτε στη λειτουργία «BOOST» και ρυθμίστε τη φίλτρανση χειροκίνητα στο 24/24 για να αυξηθεί η θερμοκρασία. • Ελέγξτε ότι η αυτόματη βαλβίδα πλήρωσης δεν έχει κολλήσει σε ανοιχτή θέση. Θα συνεχίσει να παρέχει κρύο νερό στην πσίνα και να εμποδίζει την άνοδο της θερμοκρασίας. • Υπάρχει υπερβολική απώλεια θερμότητας επειδή ο αέρας είναι δροσερός. Τοποθετήστε ένα θερμομονωτικό κάλυμμα πάνω από την πσίνα. • Η συσκευή δεν καταφέρνει να αιχμαλωτίζονται αρκετές θερμίδες επειδή ο εξατμιστής της είναι φραγμένος. Καθαρίστε τον για να επαναφέρετε την απόδοσή του. •  Ελέγξτε ότι το μέγεθος της συσκευής είναι κατάλληλο για αυτήν την πσίνα και το περιβάλλον της.
<p>Η συσκευή ενεργοποιεί τον διακόπτη κυκλώματος</p>	<ul style="list-style-type: none"> •  Ελέγξτε ότι ο αυτόματος διακόπτης είναι σωστά διαστασιολογημένος και ότι το τμήμα καλωδίου που χρησιμοποιείται είναι κατάλληλο. •  Η τάση της τροφοδοσίας είναι πολύ χαμηλή: επικοινωνήστε με τον πάροχο ηλεκτρικής ενέργειας.



Ανατρέξτε στο ηλεκτρονικό εγχειρίδιο για λεπτομέρειες σχετικά με την εμφάνιση κωδικών σφάλματος, και τα διαγράμματα καλωδίωσης.



Επιδόσεις: αέρα στους 26 °C / νερού στους 26 °C / υγρασίας στους 80%.

		MD3	MD4	MD5	MD6	MD8
Επιστρεφόμενη ισχύς (μέγιστη-ελάχιστη ταχύτητα)	kW	7,0 - 2	9,5 - 2,3	13,0 - 2,4	15,0 - 2,5	19,0 - 7,5
Κατανάλωση ισχύος (μέγιστη-ελάχιστη ταχύτητα)	kW	1,1 - 0,15	1,4 - 0,2	2,0 - 0,1	2,5 - 0,15	3,5 - 0,6
Μέσο COP (μέγιστη-ελάχιστη ταχύτητα)		6,5 - 13,4	6,7 - 13,5	6,5 - 16,4	6,0 - 16,3	5,6 - 12,5
		MD9	MD12	TD8	TD9	TD12
Επιστρεφόμενη ισχύς (μέγιστη-ελάχιστη ταχύτητα)	kW	24,0 - 6,7	31,0 - 9,2	19,0 - 7,5	24,0 - 6,7	31,0 - 9,2
Κατανάλωση ισχύος (μέγιστη-ελάχιστη ταχύτητα)	kW	4,5 - 0,5	5,6 - 0,7	3,5 - 0,6	4,5 - 0,5	5,6 - 0,7
Μέσο COP (μέγιστη-ελάχιστη ταχύτητα)		5,4 - 13,7	5,4 - 13,2	5,6 - 12,5	5,4 - 13,7	5,4 - 13,2

Τεχνικές προδιαγραφές

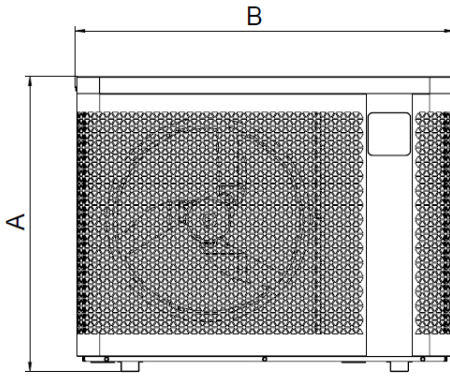
Θερμοκρασία λειτουργίας	Αέρα	από -7 έως 43°C
	Νερού	Σε λειτουργία «θέρμανση»: από 15 έως 40°C Σε λειτουργία «ψύξη»: από 8 έως 28°C
Πίεση λειτουργίας	Ψυκτικό υγρό	από 0,5 έως 42 bar (από 0,05 έως 4,2 MPa)
	Νερού	από 0 έως 2 bar (από 0 έως 0,2 MPa)
Παροχή ρεύματος		220 - 240 V / 1 φάση / 50-60 Hz 380 - 400 V / 3 φάσεις / 50-60 Hz (μόνο TD8, TD9, TD12)
Αποδεκτή διακύμανση τάσης		± 6 % (κατά τη λειτουργία)
Υδραυλικές συνδέσεις		2 x ρακόρ PVC, 1/2 σύνδεσμοι \varnothing 50
Τύπος ψυκτικού υγρού		R32
Βαθμός προστασίας		IPX4
Εύρος συχνοτήτων	GHz	2,400 - 2,497
Ισχύς μετάδοσης ραδιοσυχνότητας	dBm	+19,5
Τόπος εγκατάστασης		εξωτερικοί χώροι

Τεχνικές προδιαγραφές

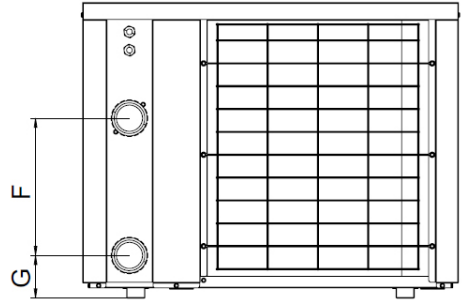
		MD3	MD4	MD5	MD6	MD8
Ρεύμα ονομαστικού φορτίου	A	4,7	6	8,4	10,7	14
Ρεύμα πλήρους φορτίου	A	8	9	13	16	19
Ελάχιστη διατομή καλωδίου*	mm ²	3 x 2,5			3 x 4	
Ακουστική ισχύς (μέγιστη-ελάχιστη)	dB(A)	62-50	65-52		67-54	69
Ακουστική πίεση στα 10 m (μέγιστη-ελάχιστη)	dB(A)	31-19	34-21		36-23	38
Συνιστώμενη ροή νερού	m ³ /h	3	4	5	6	7
Φορτίο ψυκτικού μέσου	kg	0,3	0,45	0,6	0,7	1,0
	Ισοδ. Τόνοι CO2	0,20	0,30	0,41	0,47	0,68
Βάρος κατά προσέγγιση	kg	42,5	44,5	49,5	56	70
		MD9	MD12	TD8	TD9	TD12
Ρεύμα ονομαστικού φορτίου	A	15,3	23	5,2	7,4	9,6
Ρεύμα πλήρους φορτίου	A	20	30	8	9	12
Ελάχιστη διατομή καλωδίου*	mm ²	3 x 4	3 x 6	5 x 2.5		5 x 4
Ακουστική ισχύς (μέγιστη-ελάχιστη)	dB(A)	71	74	69	71	74
Ακουστική πίεση στα 10 m (μέγιστη-ελάχιστη)	dB(A)	40	43	38	40	43
Συνιστώμενη ροή νερού	m ³ /h	8	11	7	8	11
Φορτίο ψυκτικού μέσου	kg	1,25	1,55	1,0	1,25	1,55
	Ισοδ. Τόνοι CO2	0,84	1,05	0,68	0,84	1,05
Βάρος κατά προσέγγιση	kg	88,5	107	73,5	92	103

*Ενδεικτικές τιμές για μέγιστο μήκος 20 μέτρα (βάση υπολογισμού: NFC15-100), πρέπει να ελεγχθεί και να προσαρμοστεί ανάλογα με τις συνθήκες εγκατάστασης και τα πρότυπα της χώρας εγκατάστασης.

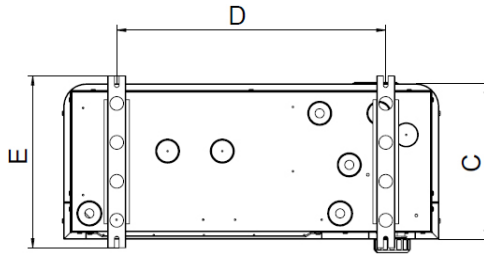
Διαστάσεις



Μπροστά



Πίσω



Κάτω

	A	B	C	D	E	F	G
MD3	646	823	339,5	590	375	300	93
MD4						260	103
MD5						330	
MD6	746	906	359	790	395	350	93
MD8		367					
MD9		430					
MD12	846	1133	509,5	743	545		
TD8							
TD9							
TD12							



VARNINGAR



Denna handbok innehåller endast grundläggande information om vilka säkerhetsåtgärder som ska vidtas vid installation, service och idrifttagning. Den fullständiga handboken kan läsas och laddas ned i form av en PDF-fil på webbplatsen www.zodiac.com. Allt monterings-, elinstallations- och servicearbete ska utföras av kvalificerad och behörig personal som läst igenom denna handbok noga. Vi förbehåller oss rätt att utan föregående meddelande helt eller delvis ändra våra produkters egenskaper och innehållet i detta dokument



SÄKERHETSFORESKRIFTER

- Enheten är avsedd att användas i pooler och spa i ett bestämt syfte. Den får inte användas för andra ändamål än sådana den är konstruerad för.
- Bristande respekt för säkerhetsföreskrifterna kan medföra allvarlig skada på poolen eller leda till allvarlig personskada eller till och med döden.
- Denna enhet är inte avsedd att användas av person (däribland barn) med nedsatt fysisk, sensorisk eller mental förmåga eller person som saknar erfarenhet eller kunskaper, med mindre personen står under tillsyn eller instrueras i hur enheten används av någon som ansvarar för hans säkerhet. Barn ska hållas under tillsyn för att se till att de inte leker med enheten.
- Denna enhet får användas av barn över åtta års ålder och av personer med nedsatt fysisk, sensorisk eller mental förmåga eller som saknar erfarenhet eller kunskaper, om de står under tillsyn eller instrueras i hur enheten används av någon som ansvarar för hans säkerhet och om de förstår vilka risker de löper. Barn får inte leka med apparaten. Rengöring och underhåll av användare får inte utföras av barn utan tillsyn.
- Enheten ska installeras i enlighet med tillverkarens anvisningar och gällande lokala och nationella bestämmelser ska respekteras.
- Våra produkter får endast monteras och installeras i pooler som uppfyller standard IEC 60364-7-702 jämte gällande nationella bestämmelser. Installationen ska uppfylla IEC-standard 60364-7-702 och gällande nationella bestämmelser för pooler. Samråd med din lokala återförsäljare för närmare upplysningar.



SÄKERHETSFORESKRIFTER FÖRKNIPPADE MED ELEKTRISKA APPARATER

- Enhetens elmatning ska skyddas av en särskild jordfelsbrytare på 30 mA som uppfyller i installationslandet gällande standarder och bestämmelser.
- Utrustningen har inte någon elomkopplare för frånkoppling. I enlighet med gällande nationella bestämmelser ska en anordning för att koppla från elmatningen med minst överspänningskategori 3 tillföras fästkablagen.
- Är nätsladden skadad får den endast bytas av tillverkaren, auktoriserad representant eller en serviceverkstad.



SÄKERHETSFORESKRIFTER RÖRANDE ENHETER SOM INNEHÅLLER KÖLDMEDIUM R32



- Denna enhet innehåller köldmedium R32, ett köldmedium av kategori A2L som anses vara potentiellt brandfarligt.
- Köldmediet R32 får inte släppas ut i luften. Det rör sig om en fluorerad växthusgas som omfattas av Kyoto-protokollet och som kan bidra till den globala uppvärmningen (GWP-värde 675; se Europaparlamentets och rådets förordning (EU) nr 517/2014 om fluorerade växthusgaser).
- För att respektera relevanta normer och bestämmelser avseende miljö och installation, särskilt franskt dekret nr 2015-1790 och/eller EU-förordning nr 517/2014, måste en sökning efter läckage göras på kylkretsen när enheten startas första gången och minst en gång per år. Detta arbete ska utföras av en specialist som är behörig för kylanläggningar.
- Installera enheten utomhus. Installera inte enheten inomhus eller i ett slutet utrymme utan luftväxling.
- Enheten ska förvaras i ett rum utan gnistkällor i ständig funktion (exempelvis öppna lågor, gasdrivna apparater i funktion eller elvärme i funktion).
- Ytterligare upplysningar återfinns i säkerhetsföreskrifterna för enheter innehållande R32-gas i den kompletta versionen av handboken. I denna specificeras kontrollen över zoner på platsen, arbetsmetod, allmänt om arbetsområdet, verifiering av att köldmedium finns, verifiering av att en brandsläckare finns, frånvaro av antändningskällor, luftväxling i zonen, verifiering av kylutrustningen, verifiering av elkomponenter, reparation av isolerade komponenter, reparation av inbyggda komponenter, kablage, detektering av brandfarligt köldmedium, avlägsnande och undanskaffande samt förfaranden för påfyllning och demontering.
- Observera att köldmedium R32 kanske inte avger någon lukt.
- Använd inget annat sätt för att påskynda avfrostning eller för att göra rent än de av tillverkaren rekommenderade.
- Gör inte hål och förbränn inte.



INSTALLTION OCH SERVICE

- Endast personer som är kvalificerade inom relevanta tekniska områden (el, hydraulik eller kylning) är behöriga att utföra installations-, service- eller reparationsarbete på enheten.
- Enheten får inte installeras i närheten av brandfarliga ämnen eller vid luftintaget till en intilliggande byggnads ventilationssystem.
- Vid servicearbete på enheten måste den värmebärande vätskans sammansättning och skick verifieras, liksom att det inte finns spår av köldmedium.
- Vid det årliga testet av enhetens täthet ska, i enlighet med gällande bestämmelser, tryckvakterna för högt och lågt tryck kontrolleras, dvs. att de är rätt anslutna till kylkretsen och att de bryter strömmen när de löser ut.
- Säkerställ vid servicearbete att det inte finns några spår av korrosion eller oljefläckar vid kylkomponenterna.
- Stoppa enheten och vänta några minuter innan du börjar arbeta med kylkretsen och monterar temperatur- och tryckgivare. Vissa delar, som kompressor och rörverk, kan bli varmare än 100 °C och nå höga tryck, vilket medför en risk för allvarliga brännskador.



VARNINGAR



KÖLDMEDIETS SPECIFIKATIONER

Kontroll av zonen

- Innan man börjar arbeta med system innehållande brandfarligt köldmedium krävs säkerhetskontroller för att garantera att risken för gnistor är begränsad.

Arbetsmetod

- För att begränsa risken för att brandfarliga gaser eller ångor frigörs under arbetet ska detta utföras enligt ett kontrollerat förfarande.

Generellt om arbetsområdet

- Servicepersonal och andra personer som arbetar inom området ska vara informerade om arten av det arbete som ska utföras. Arbete i slutna utrymmen ska undvikas.

Kontroll av om köldmedium förekommer

- För att teknikern ska uppmärksammas på förekomsten av potentiellt toxisk eller brandfarlig atmosfär ska området före och under arbetet bli föremål för en kontroll med lämplig köldmediedetektor. Säkerställ att den utrustning för detektering av läckage som används lämpar sig för att användas med relevanta köldmedier, dvs. att den inte kan ge upphov till gnistor, är vederbörligen isolerad eller helt säker till sin konstruktion.

Kontroll av att en brandsläckare finns

- Ska arbete som innebär viss högre temperatur utföras på kylutrustningen eller på någon tillhörande del, ska lämplig brandsläckningsutrustning finnas lätt tillgänglig. En pulver- eller CO₂-släckare ska finnas i närheten av området för påfyllning.

Frånvaro av antändningskällor

- Det är förbjudet för alla som utför arbete på ett kylsystem som innebär att rörverk exponeras, att använda antändningskällor på ett sätt som skulle kunna medföra risk för eldsvåda eller explosion. När köldmedium eventuellt kan frigöras i det omgivande utrymmet måste alla eventuella antändningskällor, däribland cigaretter, hållas på tillräckligt långt avstånd från installations-, reparations-, avtappnings- eller elimineringsplatsen. Innan arbetet på börjas ska området runt utrustningen undersökas, för att säkerställa att det inte finns någon risk för antändlighet eller antändning. Skyltar med Rökning förbjuden måste sättas upp.

Ventilation av området

- Säkerställ att området är öppet och har god luftväxling innan du på vad sätt det vara må tränger in i enheten för att utföra servicearbete. Relevant luftväxling som medger att eventuellt köldmedium som av misstag skulle kunna frigöras i atmosfären vädras ut på ett säkert sätt ska upprätthållas medan servicearbete utförs på enheten.

INFORMATION FÖR PRODUKTER MED ANSLUTNINGSMÖJLIGHETER (enligt RED-direktivet)

Försäkringen om överensstämmelse

Zodiac försäkrar härmed att radioutrustningen av typ PX25 överensstämmer med EU-direktiv 2014/53/EU. Fullständig text till EU-försäkringen om överensstämmelse återfinns på denna adress: <https://www.zodiac-poolcare.com/>.

1 Installera enheten

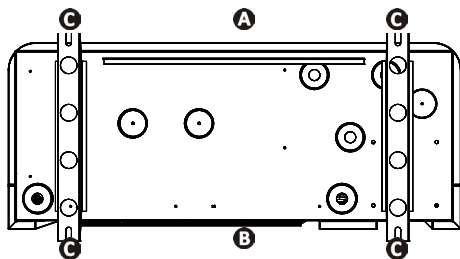


1 Installation



- Enheten ska installeras utomhus, minst två meter från poolkanten.

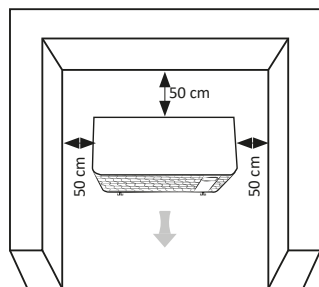
Ställ enheten på sina vibrationsdämpande kuddar (medföljer enheten), på ett stabilt, solitt och plant underlag.



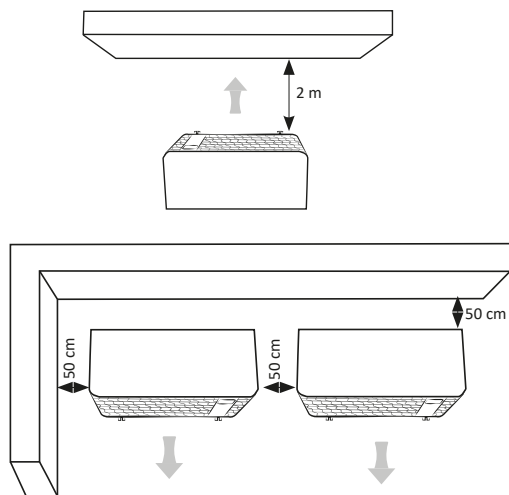
- A**: Fram
- B**: Bak
- C**: Vibrationsdämpande kuddar

Enhetens sockel sedd underifrån för installation av de vibrationsdämpande kuddarna

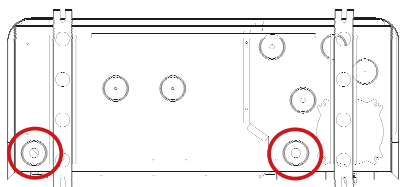
Välja plats



Minsta avstånd



Avled kondensat: Lyft upp enheten minst 10 cm med de vibrationsdämpande kuddarna och montera de två ledningarna för avledning av kondensat på de öppningar som sitter under enhetens sockel.



I online-handboken finns närmare information om försiktighetsåtgärder vid installation och vattenanslutningar.



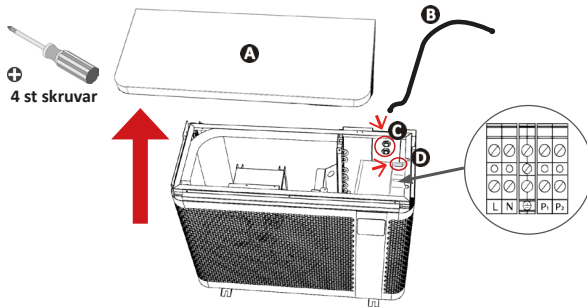
- Bryt elmatningen före allt arbete inuti enheten (risk för elstöt). Elmatningen måste brytas på ett sådant sätt att man hela tiden och oavsett åtkomstpunkt kan verifiera att elmatningen fortfarande är bruten. Är detta inte möjligt måste du använda ett låssystem.



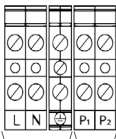
- Endast en kvalificerad och erfaren tekniker är behörig att utföra arbete med kablage i enheten eller att byta nätsladden.
- Säkerställ att plintskruvarna är ordentligt åtdragna (risk för elstöt). Dåligt åtdragna plintskruvar medför att garantin upphör att gälla.
- Koppla in ur strömförsörjningen medan enheten är i drift. Vänta i en minut efter ett strömavbrott innan du åter strömsätter enheten.

Ansluta enheten till elmatning och tillbehör

Öppna och ta bort den övre panelen **A** med hjälp av en skruvmejsel (fyra skruvar) för att komma åt kopplingsplinten. **B** För in matningskabeln genom en av packboxarna **C** baktill på enheten. Fäst inuti enheten matningskabeln genom att föra in den genom kabelhållaren **D**.

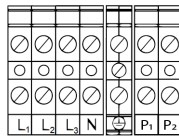


Anslut matningskabeln till kopplingsplinten inuti enheten enligt nedan.



Anslutning till elmatning
Anslutning av tillval (filtreringspump, elmatningsrelä).

Kopplingsplint för enfás elmatning



Anslutning till elmatning
Anslutning av tillval (filtreringspump, elmatningsrelä).

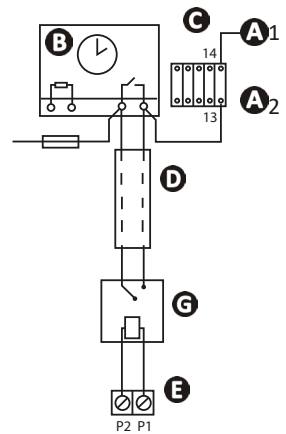
Kopplingsplint för trefás elmatning

L: Spänning

N: Neutral



Ansluta värmeförval



A1 – A2: Matning till filtreringspumpens kontaktorspol

B: Filtreringsklocka

G: Kontaktdon (tvåpoligt) till filtreringspump

D: Separat kabel för funktionen Värmeförval (medföljer ej)

E: Värmepumpens anslutningsplint

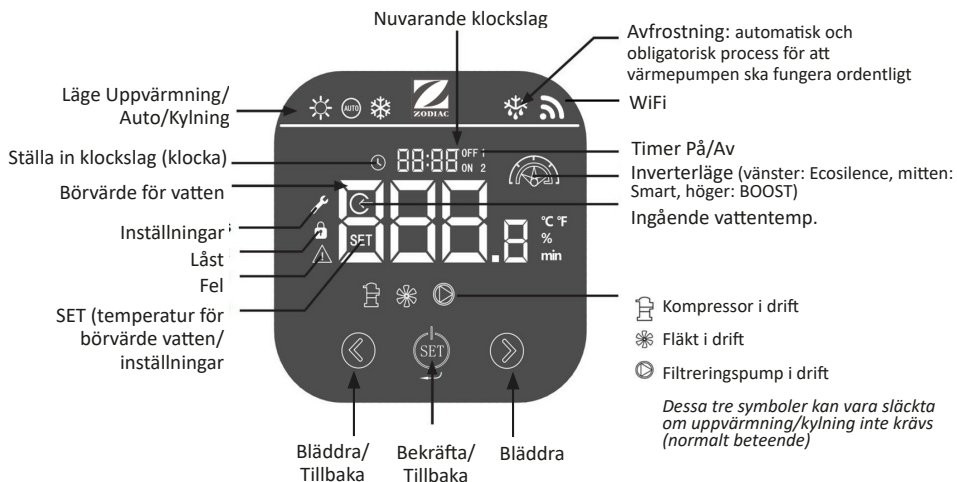
F: Säkring

G: Torrt kontaktrelä/230 V (medföljer ej)

Kablage och ledningsskydd

Modell	Strömförsörjning	Max strömstyrka	Kabelns diameter *	Magnetiskt värmskydd (D-kurva)
MD3	220-240 V Enfas 50-60 Hz	8	RO2V 3 x 2,5 mm ²	16 A
MD4		9		16 A
MD5		13		16 A
MD6		16		20 A
MD8		19		20 A
MD9		20		25 A
MD12		30	RO2V 3 x 6 mm ²	32 A
TD8	380-400 V Trefás 50-60 Hz	8	RO2V 5 x 2,5 mm ²	10 A
TD9		9		10 A
TD12		12		RO2V 5 x 4 mm ²

* Lämpligt kabeltvärsnitt för högst 20 meter långa ledningar. Samråd med en elektriker rörande ännu längre ledningar.



Symboler

Läge		Beskrivning
	Uppvärmning	ECOSILENCE Drift med begränsad effekt för att spara energi och hålla minimal bullernivå. Perfekt för att hålla temperaturen när uteluften är varm.
		SMART Automatisk justering av effekten beroende på behov. Automatisk omställning mellan ECOSILENCE- och BOOST-lägena.
		BOOST Drift med maxeffekt för snabb uppvärmning. Perfekt i början av säsongen för att höga eller hålla temperaturen när uteluften är kall.
	Uppvärmning/ Kylning (rekommenderat läge)	SMART Värmepumpen väljer automatiskt det lämpligaste driftläget beroende på börtemperatur.
	Kylning	ECOSILENCE Kyla poolen med begränsad effekt för att spara mer energi och minsta möjliga buller.
		SMART Automatisk justering av effekten beroende på behov. Automatisk omställning mellan ECOSILENCE- och BOOST-lägena.
		BOOST Kyla poolen med maxeffekt för snabb nedkylning.



Låsa/ läsa upp tangentbordet



Tre sekunder



Ställa in klockan



Tryck två gånger.



Blinkar.



Tryck för att ställa in
timmar



Tryck för att ändra.



Tryck för att bekräfta. Tryck
på SET igen för att ställa in
minuter.



Tryck i en sekund för att bekräfta
och återgå till huvudskärmbilden.

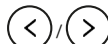


Ställa in temperaturbörvärde



Lås upp tangentbordet (3 sek)

Verifiera att kompressorn
fungerar:
symbolen för funktionssätt
visas.



Ändra temperaturen.
Symbolen för funktionssätt
blinkar.

**Rekommenderad
temperatur: 28 °C**



Välja funktionssätt

För att anpassa varvtalet
beroende på effektbehov och
valt läge har värmepumpen
fyra lägen för värme/kyla:

- läget BOOST
- läget SMART
- läget ECOSILENCE
- läget Auto
(rekommenderas)



Lås upp tangentbordet (3 sek).

Tryck sedan på SET.

Indikatorn  visas.



Navigera bland tillgängliga
lägen.



Tryck för att bekräfta.
Tryck i två sekunder för att
starta.



Stänga av värmepumpen



Lås upp tangentbordet
(3 sek).



Tryck i två sekunder.
Pumpen stannar efter
några minuter.



Symbolen försvinner när
kompressorn inte är i drift.



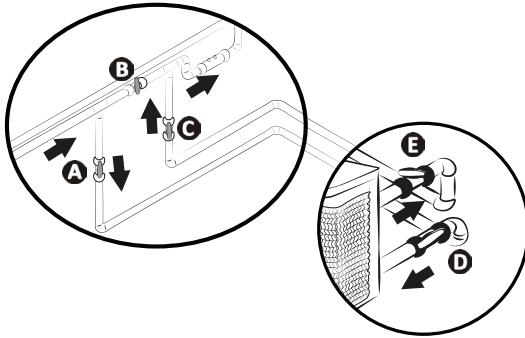
Tryck i två sekunder för att
starta kompressorn igen.




I online-handboken finns närmare
information om driftlägena och om
timers.



Öppna vattenkretsen

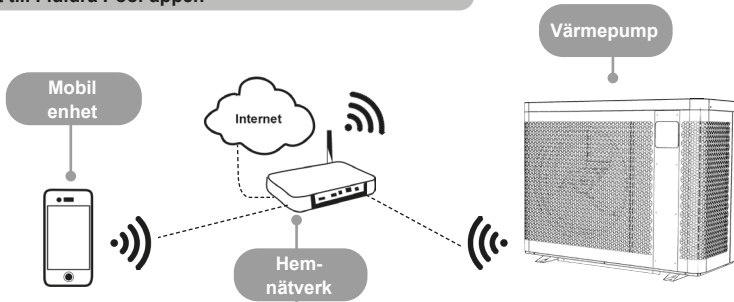


OBS! Felaktig inställning av bypass kan medföra att värmepumpen inte fungerar som den ska.

- Stäng gradvis ventil B.
- Öppna helt ventil A, C och D. Öppna ventil E till hälften (luft som ansamlats i kondensator och i filtreringskrets luftas ut). Öppna ventil A helt och stäng ventil C till hälften om det inte finns några ventiler D och E.
- Anslut elmatningen till värmepumpen.
- Tryck på  i tre sekunder om värmepumpen står i vänteläge: Ställ in klockan och välj ett funktionsätt.
- Ställ in önskad temperatur.



Anslut till Fluidra Pool-appen



Värmepumpen kan fjärrstyras från en smartphone eller pekdator via appen Fluidra Pool, som finns för iOS och Android operativsystem. Kontrollera följande innan du ansluter till Fluidra Pool-appen:

- Använd en WiFi-kompatibel smartphone eller pekdator.
- Använd ett WiFi-nätverk med tillräckligt stark signal för att kunna ansluta till värmepumpen. WiFi-signalen måste kunna tas emot på den plats där enheten används. I annat fall måste man hitta en teknisk lösning för att förstärka den befintliga signalen.
- Befinn dig i närheten av enheten och ha lösenordet till ditt hemnätverk lätt tillgängligt.

Ladda ned Fluidra Pool-appen (orange QR-kod baktill på enheten)



SET blinkar

Öppna appen och gå igenom de steg som anges i appen för att lägga till värmepumpen.



Vinterförvaring



Tryck och håll intryckt i två sekunder för att stänga av enheten

Koppla från strömförsörjningen i minst tre minuter

Öppna ventil B. Stäng ventil A och C och öppna ventil D och E (i förekommande fall)

Töm ut kondensvattnet för att undvika frostsador

Sätt på huvan för vinterförvaring

- Vid fullständig vinterförvaring av poolen (helt stoppat filtreringssystem, dränering av filtreringskretsen respektive tömning av poolen): montera tillbaka de två kopplingarna ett varv för att undvika att främmande föremål kommer in i kondensorn,
- Vid vinterförvaring endast av värmepumpen (endast uppvärmning stoppad, filtreringen fortsatt i drift): skruva inte på kopplingarna igen, utan förslut kondensorns in- och utgångar med de två (medföljande) pluggarna.
- Sätt huvan för vinterförvaring (medföljer) på värmepumpen genom att föra vattenanslutningarna genom den särskilda öppningen. Vatten- och elanslutningar behöver inte kopplas från.



- **Vinterförvaring är oerhört viktigt för att undvika sprickor i kondensorn till följd av frost (frost utan vinterförvaring omfattas inte av garantin).**
- **Undvik skador på enheten på grund av kondensation genom att inte täcka över helt och använda den medföljande huvan för vinterförvaring.**



Service

- Säkerställ att inga främmande föremål sitter för fläktgallret.
- Rengör förångaren med en mjuk borste och en sötvattensstråle (koppla från nätsladden).
- Rengör ledningen för att avleda kondensat för att eliminera smuts som kan sätta igen den.
- Säkerställ att kopplingsboxens fläktgaller är rent.
- Använd inte högtryckspruta. Spruta inte med regnvatten, smutsigt vatten eller mineralhaltigt vatten.
- Rengör enheten utvändigt, men använd inte lösningmedelsbaserade produkter. Du kan använda en särskild rengöringssats finns som tillbehör: Pac Net.




- **Koppla inte ur strömförsörjningen medan enheten är i drift. Vänta i en minut efter ett strömavbrott innan du åter strömsätter enheten.**
- **För att undvika eventuell risk för fjärrstyrning av enheten rekommenderar vi att man före allt service-, felsöknings- och reparationsarbete stänger av modemets WiFi-anslutning.**
- **För att garantera att den fungerar väl, behåller sin prestanda och för att undvika eventuella haverier, rekommenderar vi att enheten blir föremål för allmän service minst en gång per år. Sådant arbete utförs på användarens bekostnad, av en behörig tekniker.**



I online-handboken finns närmare information om säkerhetsföreskrifter rörande köldmedium R32 och om serviceåtgärder som ska utföras av en behörig tekniker.



- Utför vid eventuella problem dessa enkla kontroller innan du kontaktar återförsäljaren. Kontakta din återförsäljare om problemet kvarstår.
-  : Åtgärderna ska endast utföras av behörig tekniker.

Enhetens beteende

Enheten börjar inte värma omedelbart	<ul style="list-style-type: none"> • Om vattenflödet upphört eller är otillräckligt stannar enheten. Verifiera att vattnet cirkulerar rätt i enheten och att vattenanslutningarna är rätt gjorda. • När lufttemperaturen sjunker under -7°C stannar enheten.
Enheten avger vatten	<ul style="list-style-type: none"> • Verifiera att vattnet inte kommer från ett läckage på poolkretsen vid enheten, genom att stoppa enheten och köra filteringspumpen så att vatten cirkulerar i enheten. Fortsätter vatten att rinna ut via ledningarna för att avleda kondensat, finns ett vattenläckage i enheten – kontakta återförsäljaren.
Förångaren har frusit	<ul style="list-style-type: none"> • Enheten börjar snart köra en avfrostningscykel för att smälta isen. • Lyckas enheten inte frosta av sin förångare stannar den av sig själv. Det betyder att utomhustemperaturen är för låg (under -7°C).
Enheten "ryker"	<ul style="list-style-type: none"> • Står enheten inte i en avfrostningscykel är det inte normalt. Stäng omedelbart av enheten och kontakta återförsäljaren.
Apparaten fungerar inte	<ul style="list-style-type: none"> •  Verifiera matningsspänning och säkring F1 om inget meddelande visas. • Har vattenflödet upphört eller är otillräckligt stannar enheten. Verifiera att vattnet cirkulerar rätt i enheten.
Fläkten går men kompressorn stannar utan jämna mellanrum utan något felmeddelande	<ul style="list-style-type: none"> • Är ytttemperaturen låg kommer enheten att köra avfrostningscykler. • Enheten lyckas inte hämta tillräcklig värme eftersom dess förångare är igensatt. Rengör den för att den ska återfå sin prestanda.
Enheten fungerar men vattentemperaturen stiger inte	<ul style="list-style-type: none"> • Driftläget är inte tillräckligt kraftfullt. Övergå till läget BOOST och ställ manuellt in filtreringen på dygnet runt tills temperaturen stiger. • Verifiera att ventilen för automatisk påfyllning inte har fastnat i öppet läge. Det skulle göra att kallt vatten hela tiden tillförs i poolen och hindrar vattnet från att bli varmare. • Värmeförlusten är för stor eftersom luften är kall. Montera ett värmeisolerande täcke över poolen. • Enheten lyckas inte hämta tillräcklig värme eftersom dess förångare är igensatt. Rengör den för att den ska återfå sin prestanda. •  Verifiera att enhetens storlek är lämplig för poolen och dess miljö.
Enheten löser ut jordfelsbrytaren	<ul style="list-style-type: none"> •  Verifiera att jordfelsbrytaren är rätt dimensionerad och att den kabel som används har rätt tvärsnitt. •  Matningsspänningen är för svag. Kontakta din elleverantör.



I online-handboken finns närmare information om visningen av felkoder, och om kopplingscheman.



Prestanda: luft 26 °C/vatten 26 °C/luftfuktighet 80 %

		MD3	MD4	MD5	MD6	MD8
Avgiven effekt (varvtal max-min)	kW	7,0 – 2	9,5 - 2,3	13,0 – 2,4	15,0-2,5	19,0-7,5
Förbrukad effekt (varvtal max-min)	kW	1,1 – 0,15	1,4 - 0,2	2,0 – 0,1	2,5 – 0,15	3,5 - 0,6
COP genomsnitt (varvtal max-min)		6,5 – 13,4	6,7 - 13,5	6,5 – 16,4	6,0-16,3	5,6-12,5
		MD9	MD12	TD8	TD9	TD12
Avgiven effekt (varvtal max-min)	kW	24,0 – 6,7	31,0 - 9,2	19,0 – 7,5	24,0-6,7	31,0-9,2
Förbrukad effekt (varvtal max-min)	kW	4,5-0,5	5,6-0,7	3,5 - 0,6	4,5 – 0,5	5,6-0,7
COP genomsnitt (varvtal max-min)		5,4 – 13,7	5,4 - 13,2	5,6 – 12,5	5,4-13,7	5,4-13,2

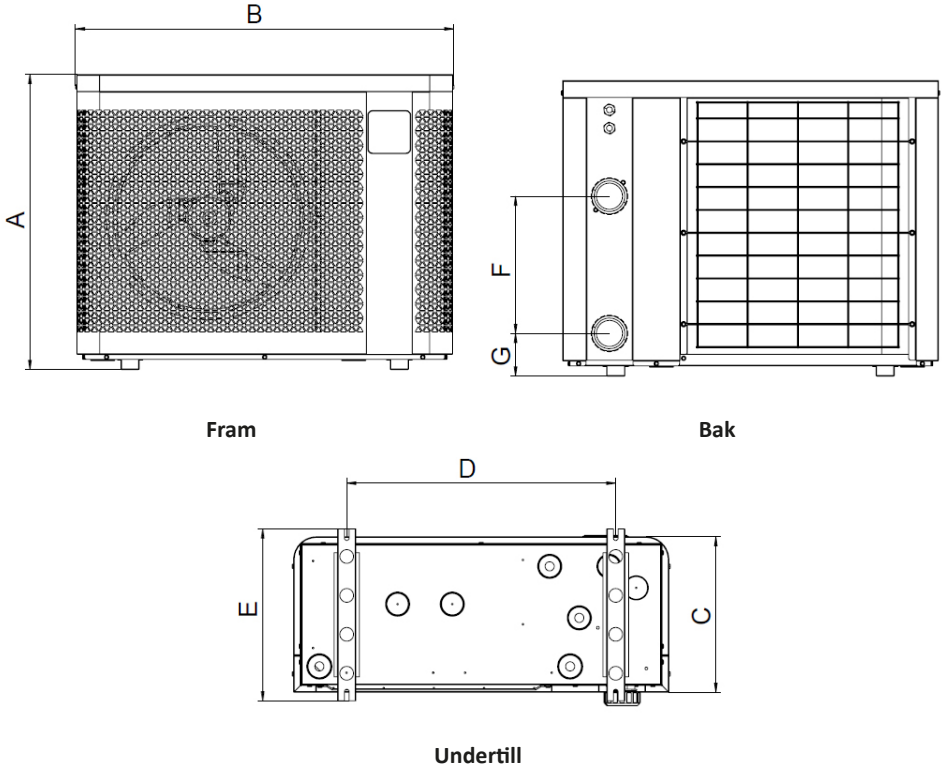
Tekniska specifikationer

Drifttemperatur	Luft	-7 - 43°C
	Vatten	I läget Värme: 15-40 °C I läget Kyla: 8-28 °C
Drifttryck	Köldmedium	0,5-42 bar (0,05-4,2 MPa)
	Vatten	0-2 bar (0-0,2 MPa)
Strömförsörjning		220-240 V/enfas/50-60 Hz 380-400 V/trefas/50-60 Hz (endast TD8, TD9, TD12)
Tillåten spänningsvariation		± 6 % (under drift)
Vattenanslutningar		Två st PVC-kopplingar, 1/2 unionskopplingar Ø 50
Typ av kylvätska		R32
Skyddsklass		IPX4
Frekvensband	GHz	2,400 - 2,497
Radiosändarens effekt	dBm	+19,5
Installationsplats		utomhus

Tekniska specifikationer

		MD3	MD4	MD5	MD6	MD8
Nominell absorberad strömstyrka	A	4,7	6	8,4	10,7	14
Maximal absorberad strömstyrka	A	8	9	13	16	19
Minsta kabeltvärsnitt *	mm ²	3 x 2,5			3 x 4	
Ljudnivå (max-min)	dB(A)	62-50	65-52		67-54	69
Ljudtryck vid 10 m (max-min)	dB(A)	31-19	34-21		36-23	38
Rekommenderat vattenflöde	m ³ /tim	3	4	5	6	7
Mängd köldmedium	kg	0,3	0,45	0,6	0,7	1,0
	Ton CO ₂ -ekvivalenter	0,20	0,30	0,41	0,47	0,68
Ungefärlig vikt	kg	42,5	44,5	49,5	56	70
		MD9	MD12	TD8	TD9	TD12
Nominell absorberad strömstyrka	A	15,3	23	5,2	7,4	9,6
Maximal absorberad strömstyrka	A	20	30	8	9	12
Minsta kabeltvärsnitt *	mm ²	3 x 4	3 x 6	5 x 2,5		5 x 4
Ljudnivå (max-min)	dB(A)	71	74	69	71	74
Ljudtryck vid 10 m (max-min)	dB(A)	40	43	38	40	43
Rekommenderat vattenflöde	m ³ /tim	8	11	7	8	11
Mängd köldmedium	kg	1,25	1,55	1,0	1,25	1,55
	Ton CO ₂ -ekvivalenter	0,84	1,05	0,68	0,84	1,05
Ungefärlig vikt	kg	88,5	107	73,5	92	103

* Indikativa värden för en längd på högst 20 meter (beräkningsgrund: NFC 15-100) och måste verifieras och anpassas beroende på installationsförhållanden och normer i installationslandet.



	A	B	C	D	E	F	G
MD3	646	823	339,5	590	375	300	93
MD4						260	103
MD5		906		593		330	
MD6	746	1 103	359	790	395	350	93
MD8						367	
MD9						367	
MD12	846	1 133	509,5	743	545	430	
TD8						430	
TD9						430	
TD12							



FIGYELMEZTETÉSEK



A jelen kézikönyv csak alapvető információkat tartalmaz a telepítés, a karbantartás és a beüzemelés során betartandó biztonsági intézkedésekről. A teljes kézikönyv elolvasható és letölthető PDF formátumban a következő honlapról: www.zodiac.com. Minden szerelési, elektromos telepítési és karbantartási munkát arra képesített és meghatalmazott személyzet végezhet, akik figyelmesen elolvasták a jelen kézikönyvet. Fenntartjuk a jogot arra, hogy termékeink tulajdonságainak egészét vagy azok egy részét, illetve a dokumentum tartalmát előzetes értesítés nélkül módosítsuk.



ÁLTALÁNOS FIGYELMEZTETÉSEK

- A készüléket uszodákban és gyógyfürdőkben való használatra szánták egy meghatározott célra; nem szabad a tervezettől eltérő célra használni.
- A figyelmeztetések figyelmen kívül hagyása súlyos károkat okozhat a medence felszerelésében vagy súlyos, akár halálos kimenetelű sérüléseket okozhat.
- Ezt a készüléket nem használhatják csökkent fizikai, érzékszervi vagy szellemi képességű, tapasztalattal és tudással nem rendelkező személyek (beleértve a gyermekeket is), kivéve, ha a biztonságukért felelős személy felügyeli őket vagy tanácsot ad nekik a készülék használatára vonatkozóan. Biztosítani kell a gyermekek felügyeletét, annak biztosítása érdekében, hogy ne játszanak a készülékkel.
- Ezt a készüléket csak akkor használhatják 8 évesnél idősebb gyerekek és csökkent fizikai, érzékszervi vagy szellemi képességű, tapasztalattal és tudással nem rendelkező személyek, ha felügyelik őket vagy tanácsot adnak nekik a készülék biztonságos használatára vonatkozóan és ha megértik a felmerülő kockázatokat. A gyermekek nem játszhatnak a készülékkel. A felhasználó általi tisztítást és karbantartást felügyelet nélkül nem végezhetik gyermekek.
- A készüléket a gyártó utasításainak megfelelően kell telepíteni, és a helyi és nemzeti normák betartása mellett.
- Termékeinket csak a IEC/HD 60364-7-702 szabványnak és a betartandó helyi szabályoknak megfelelő medencékbe szabad összeszerelni és telepíteni. A telepítésnek meg kell felelnie a IEC/HD 60364-7-702 szabványnak és az úszómedencék esetén meghatározott nemzeti szabályoknak. További információkért vegye fel a kapcsolatot helyi viszonteladójával.

ELEKTROMOS BERENDEZÉSEKKEL KAPCSOLATOS FIGYELMEZTETÉSEK

- A berendezés elektromos betáplálását a telepítés szerinti országban hatályos szabványoknak és jogszabályoknak megfelelő, 30mA-es differenciálmegszakítóval kell védeni.
- A készülék nem tartalmaz elektromos kapcsolót a leválasztáshoz. Építsen hozzá egy legalább az OVC III kategóriájú leválasztó berendezést a rögzítő vezetékben, a vonatkozó nemzeti törvényeknek megfelelően.
- Ha a tápkábel sérült, azt csak a gyártó, a meghatalmazott képviselő vagy a szervizközpont cserélheti ki.

FIGYELMEZTETÉSEK R32 HŰTŐKÖZEGET TARTALMAZÓ BERENDEZÉSEKHEZ



- Ez a készülék R32 hűtőközeget tartalmaz, ez A2L kategóriájú hűtőközeg, amely potenciálisan gyúlékonyan tekinthető.
- Ne engedje ki az R32 közeget a légkörbe. Ez a közeg egy üvegházhatású fluortartalmú gáz, amelyre a Kiotói Jegyzőkönyv vonatkozik, a globális felmelegedési potenciálja (GWP) = 675 (517/2014/EU európai jogszabály).
- Annak érdekében, hogy megfeleljen a vonatkozó környezetvédelmi és telepítési szabványoknak és előírásoknak, különösen a 2015-1790 sz. rendeletnek és/vagy az 517/2014/EU európai jogszabálynak, a készülék első indítása előtt és legalább évente egyszer szivargási vizsgálatot kell végezni a hűtőkörön. Ezt a műveletet tanúsítással rendelkező hűtőberendezés-szakembernek kell elvégeznie.
- Az egységet kültéren telepítse. Ne telepítse az egységet beltérbe vagy zárt, nem szellőztetett helyiségre.
- A készüléket folyamatos üzemű gyújtóforrást (például nyílt láng, üzemelő gázkészülék vagy működő elektromos fűtés) nem tartalmazó helyiségben kell tárolni.
- További információkért olvassa el a kézikönyv bővített változatában található, R32 gázt tartalmazó készülékre vonatkozó biztonsági utasításokat. E változat részletesen bemutatja a terület ellenőrzését, a munkavégzési eljárást, a teljes munkavégzési területet, a hűtőközeg jelenlétének ellenőrzését, a túlzott készülék jelenlétének ellenőrzését, a szikraképződés elkerülésének biztosítását, a zóna szellőztetését, a hűtőközeggel működő berendezések és az elektromos alkatrészek ellenőrzését, a szigetelt alkatrészek javítását, a belső alkatrészek javítását, a kábelvezést, a gyúlékony hűtőközeg észlelését, az anyagkivonást és ártalmatlanítást, a hűtőközeg cseréjének eljárásait és a szétszerelést.
- Ne feledje, hogy az R32 hűtőközeg szagtalan gáz.
- A gyártó által javasolt kivételével ne használjon semmilyen eszközt a leolvasztási folyamat vagy tisztítása gyorsítására.
- Ne fújra és ne égessen el.

TELEPÍTÉS ÉS KARBANTARTÁS

- Csak az érintett műszaki területeken (elektromosság, hidraulika vagy hűtés) képesítéssel rendelkező személy jogosult a készülék telepítési, karbantartási és szerelési munkáinak elvégzésére.
- A berendezés nem telepíthető éghető anyagok vagy szomszédos épület szellőzőnyílása közelébe.
- A berendezés karbantartása során ellenőrizni kell a hőcserélő közeget összetételét és állapotát, valamint a hűtőfolyadék nyomainak hiányát.
- A berendezés tömítettségének éves vizsgálata során, az érvényben lévő jogszabályi előírásoknak megfelelően, győződjön meg arról, hogy a magas és alacsony nyomású nyomáskapcsolók megfelelően rögzítve vannak a hűtőkörhöz, és kioldódás esetén megszakítják az elektromos áramkört.
- A karbantartási munkák során ellenőrizze, hogy nincsenek-e korróziós vagy olajnyomok a hűtőrendszer összetevői környékén.
- A hűtőkörön végzett munkák megkezdése előtt állítsa le a berendezést, és várjon néhány percet, mielőtt a hőmérséklet- és nyomásmérőket felszereli. Bizonyos elemek, mint például a kompresszor és a csövek, 100°C feletti hőmérsékletet és magas nyomást is elérhetnek, ami súlyos égési sérüléseket okozhat.



FIGYELMEZTETÉSEK



HŰTŐKÖZEG TERMÉKISMERTETŐ

A terület ellenőrzése

- A gyűlékony hűtőközegeket tartalmazó rendszereken végzett munkálatok megkezdése előtt biztonsági ellenőrzések szükségesek a szikraképződés kockázatának csökkentése érdekében.

Munkafolyamat

- A munkálatokat ellenőrzött eljárás szerint kell elvégezni, hogy minimalizálja a gyűlékony gáz vagy gőz jelenlétének kockázatát a munkavégzés során.

Általános munkaterület

- A karbantartó személyzetet és a területen dolgozó személyeket tájékoztatni kell az elvégzendő munkálatok természetéről. A zárt térben végzett munkát el kell kerülni.

Hűtőközeg jelenlétének ellenőrzése

- A területet a munkavégzés előtt és alatt megfelelő hűtőközeg-érzékelő segítségével kell ellenőrizni, hogy a technikus értesüljön a potenciálisan mérgező vagy gyűlékony légkör jelenlétéről. Győződjön meg róla, hogy az alkalmazott szivárgásérzékelő berendezés megfelel az összes érintett hűtőközeggel történő használatra, azaz nem okoz szikrát, megfelelően tömített és tökéletesen biztonságos.

Tűzoltókészülék jelenlétének ellenőrzése

- Ha a hűtőberendezésen vagy bármely kapcsolódó alkatrészben bizonyos hővel járó munkát kell végezni, a megfelelő tűzoltó készüléknek elérhetőnek kell lennie. Egy porral oltó vagy CO2 tűzoltó készüléknek a töltési terület közelében kell lennie.

Gyújtóforrás hiánya

- Minden olyan személynek, aki csövezetéseket érintő munkát végez hűtőrendszeren, tilos olyan gyújtóforrásokat használnia, amelyek tűz- vagy robbanásveszélyt okozhatnak. Minden lehetséges gyújtóforrást, beleértve a cigarettát is, elegendő távolságban kell tartani a telepítés, javítás, eltávolítás vagy ártalmatlanítás helyétől, amikor potenciálisan hűtőközeg juthat ki a környezetbe. A munkák megkezdése előtt a berendezés körüli területet át kell vizsgálni lobbánás vagy gyulladásveszély tekintetében. „Tilos a dohányzás” táblákat kell elhelyezni.

A terület szellőzése

- Mielőtt bármilyen karbantartás elvégzése érdekében hozzáférne az egységhez, győződjön meg arról, hogy a terület nyitott és jól szellőző. Az egység karbantartása során megfelelő szellőzést kell biztosítani, amely lehetővé teszi a légkörbe esetlegesen kibocsátott hűtőközeg biztonságos szétszóródását.

TÁJÉKOZTATÁS CSATLAKOZTATHATÓ TERMÉKEKKEL KAPCSOLATBAN (a RED irányelv alapján)

Megfelelőségi nyilatkozat

Jelen nyilatkozattal a Zodiac kijelenti, hogy a PX25 típusú rádióberendezés megfelel a 2014/53/EU irányelvnek. Az európai megfelelőségi nyilatkozat teljes terjedelmében elérhető a következő címen: <https://www.zodiac-poolcare.com/>

1 A készülék telepítése

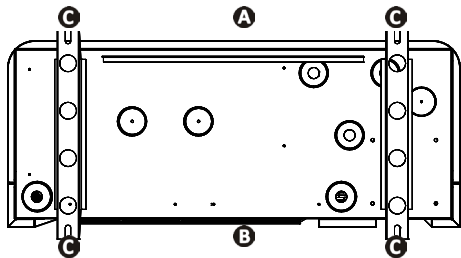


1 Telepítés



- A készüléket a medence szélétől legalább 2 méter távolságra kell telepíteni.

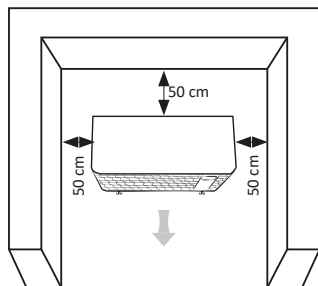
Helyezze a készüléket stabil, szilárd és vízszintes felületen álló (a készülékhez mellékelt) rezgécscillapító lemezekre.



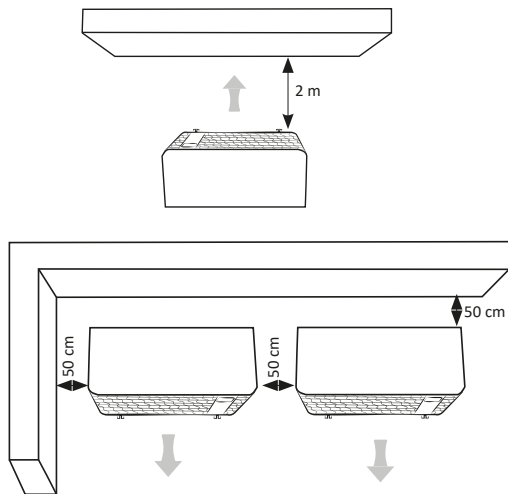
A: Előre
B: Hátra
C: Rezgécsgátló
lemezek

A készülék alapjának alulnézete a rezgécsgátló lemezek felszereléséhez

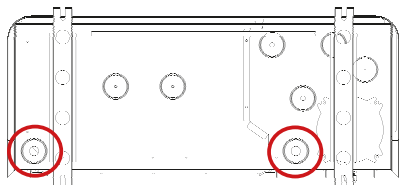
Hely kiválasztása



Minimális távolság



Kondenzvíz elvezetése: Emelje fel a készüléket legalább 10 cm-rel a rezgécsgátló lemezek segítségével és telepítse a két kondenzvíz elvezető vezetékét a készülék alapja alatt található nyílásra.



A telepítési óvintézkedésekről és a hidraulikus csatlakozásokról további részletek az online kézikönyvben találhatóak.



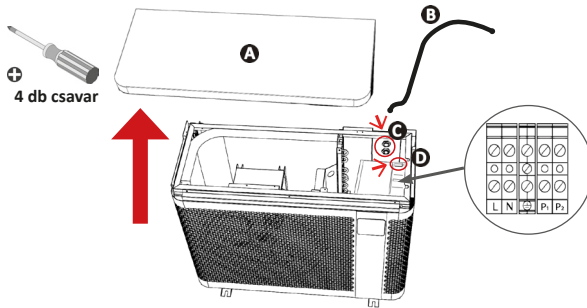
- A készülék belsejében végzett bármely beavatkozás előtt feltétlenül meg kell szakítani a készülék elektromos táplálását (áramütés kockázata). A megtáplálást úgy kell megszüntetni, hogy bármikor ellenőrizni, bármely hozzáférhető pontról ellenőrizni lehessen, hogy a megtáplálás eltávolítva marad. Ha ez nem lehetséges, reteszelőrendszerrel kell megoldani a leválasztást.



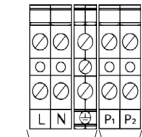
- Készülékben kizárólag szakképzett és tapasztalt villanyszerelő végezhet kábelezési munkákat, illetve a tápkábel cseréjét.
- Győződjön meg arról, hogy a kapcsok csavarjai teljesen meg vannak-e húzva. A kapcsok nem megfelelően meghúzott csavarjai esetén a garancia érvényét veszti.
- Ne kösse le az elektromos táplálást a készülék működése közben. Ha az elektromos táplálás megszakad, várjon egy percet, mielőtt visszaállítja az áramellátást.

Csatlakoztassa az egységet az elektromos energia ellátáshoz és a tartozékokhoz

Nyissa fel és vegye le a felső panelt **A** egy csavarhúzóval (4 csavar), hogy hozzáférjen az elektromos sorkapocshoz. **B** Illesse be a tápkábel az egyik tömszelencébe **C** a készülék hátsó részén A készülékben rögzítse a tápkábel a kábelrögzítőn átvezetve **D**.

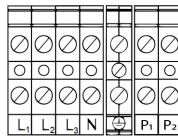


Csatlakoztassa a tápkábel a készülék belsejében lévő sorkapocshoz az alábbiak szerint.



Csatlakozás elektromos táplálás
Az opciók csatlakoztatása (szűrőszivattyú, elektromos táplálás reléje).

Egyfázisú tápellátás kapcsa



Csatlakozás elektromos táplálás
Az opciók csatlakoztatása (szűrőszivattyú, elektromos táplálás reléje).

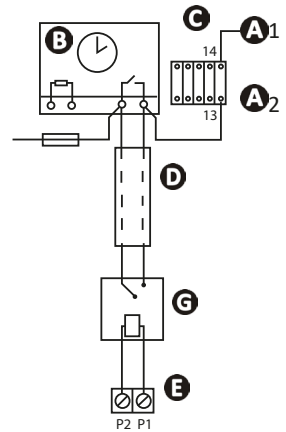
Háromfázisú tápellátás kapcsa

L: Feszesség

N: Nulla

Föld

A fűtési prioritás csatlakozása

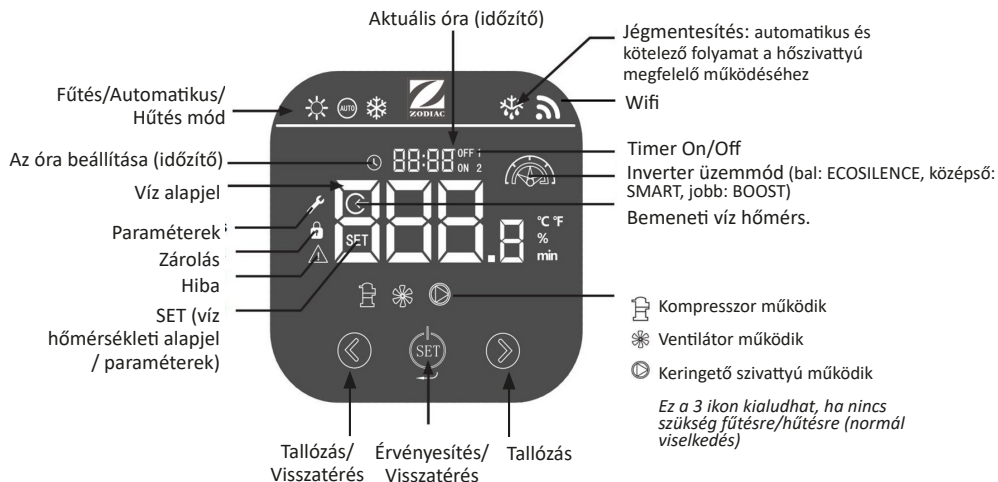


- A1 - A2:** A szűrőszivattyú teljesítmény kontaktora tekerescének táplálása
- B:** A szűrés időzítőórája
- C:** Kontaktor (bipoláris) szűrőszivattyúhoz
- D:** Külön kábel a „fűtés prioritás” funkcióhoz (nem tartozék)
- E:** Fűtőszivattyú sorkapocs
- F:** Biztosíték
- G:** Száraz érintkezős/230 V-os relé (nem tartozék)

Kábelezés et kábelvédelem

Modell	Elektromos táplálás	Max. áramerősség	A kábel átmérője*	Termikus-mágneses védelem (D jellegű görbe)
MD3	220-240 V 1 fázis 50-60 Hz	8	RO2V 3x2,5 mm ²	16 A
MD4		9		16 A
MD5		13		16 A
MD6		16		20 A
MD8		19		20 A
MD9		20		25 A
MD12		30	RO2V 3x6 mm ²	32 A
TD8	380-400 V 3 fázis 50-60 Hz	8	RO2V 5x2,5 mm ²	10 A
TD9		9		10 A
TD12		12		16 A

* A kábel keresztmetszete legfeljebb 20 méter hosszúságú kábelek esetén alkalmazható. Nagyobb hosszúság esetén forduljon villanyszerelőhöz.



Ikonok

Üzemmód		Leírás
	Fűtés	ECOSILENCE Csökkentett teljesítményű működés a nagyobb energiamegtakarítás és a minimális zajszint érdekében. Ideális a hőmérséklet fenntartására, amikor a külső levegő hőmérséklete magas.
		SMART Szükség szerint automatikus teljesítménybeállítás. Automatikusan vált az ECOSILENCE és a BOOST módok között.
		BOOST Maximális teljesítmény a gyors felfűtéshez. Ideális a szezon elején a hőmérséklet emelésére vagy fenntartására, amikor a külső levegő hideg.
	Fűtés/ Hűtés (ajánlott mód)	SMART A hőszivattyú a hőmérsékleti alapjelnek megfelelően automatikusan kiválasztja a legmegfelelőbb üzemmódot.
	Hűtés	ECOSILENCE A medence hűtése csökkentett teljesítményű működéssel a nagyobb energiamegtakarítás és a minimális zajszint érdekében.
		SMART Szükség szerint automatikus teljesítménybeállítás. Automatikusan vált az ECOSILENCE és a BOOST módok között.
		BOOST A medence hűtése maximális teljesítménnyel a gyors lehűtés érdekében.

**Billentyűzet lezárása/ feloldása**

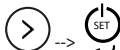
3 másodperc

**Az óra beállítása**

Nyomja meg 2-szer



villog.

Nyomja le az
óra-beállításához

Módosításhoz nyomja le.

Az érvényesítéshez nyomja le.
Nyomja le újra a SET gombot
a percek beállításához.Nyomja meg 1 mp-ig
a megerősítéshez és
a főképernyőre való
visszatéréshez.**A hőmérsékleti alapérték beállítása**

A billentyűzet feloldása (3 mp)

Ellenőrizze, hogy működik-e
a kompresszor:
a működési üzemmód
ikonja megjelenik.Hőmérséklet módosítása a
működési üzemmód ikonja
villog.

Ajánlott hőmérséklet: 28 °C


**Működési üzemmód kiválasztása**

A hőszivattyú 4 fűtés/hűtés működési üzemmóddal rendelkezik, melyek segítségével a működési sebességet a szükséges teljesítményhez és a kiválasztott üzemmóddhoz igazíthatja:

- „BOOST” üzemmód;
- „SMART” üzemmód;
- „ECOSILENCE” üzemmód
- „Auto” üzemmód (ajánlott)



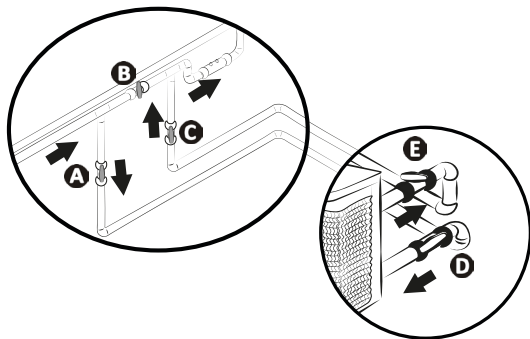
A billentyűzet feloldása (3 mp).

Majd nyomja meg a SET
gombotMegjelenik az  mutató.Tallózás a rendelkezésre álló
üzemmódok között.Az érvényesítéshez nyomja
le.
Az indításhoz nyomja meg
2 mp-ig.**Hőszivattyú inaktíválása.**A billentyűzet feloldása
(3 mp).Nyomja le 2 mp-ig.
A szivattyú néhány perc
múlva leáll.Amikor a kompresszor
nem működik, az ikon
eltűnik.Nyomja le 2 másodpercig
a kompresszor
bekapcsolásához.


A működési üzemmódokról és az időzítőkről további részletek az online kézikönyvben találhatóak.



Nyissa ki a hidraulikus kört

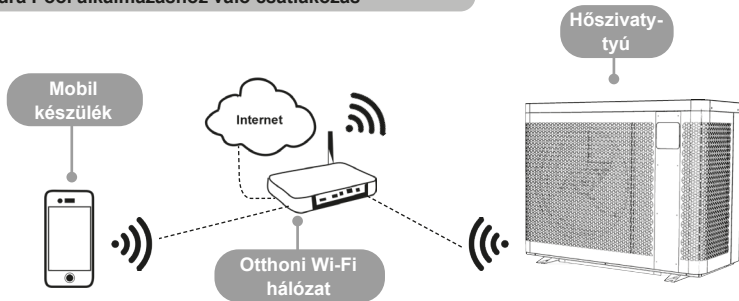


FIGYELEM: a by-pass szelep helytelen beállítása a hőszivattyú rendellenes működését idézheti elő.

- Fokozatosan zárja be a B szelepet.
- Nyissa ki teljesen az A, C és D szelepeket. Nyissa ki félig az E szelepet (a kondenzátorában és a szűrőkörben felhalmozódott levegő távozik). Ha nincsenek jelen D és E szelepek, nyissa ki teljesen az A szelepet és zárja le félig a C szelepet.
- Csatlakoztassa az elektromos táplálást a hőszivattyúhoz.
- Ha a hőszivattyú készenléti állapotban van, nyomja meg a  3 mp-ig: Óra beállítása és működési üzemmód: kiválasztása.
- A kívánt hőmérséklet beállítása.



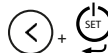
A Fluidra Pool alkalmazáshoz való csatlakozás



A hőszivattyút lehet távvezérléssel irányítani okostelefon vagy táblagép segítségével, az iOS és Android rendszerekhez elérhető Fluidra Pool alkalmazással. A Fluidra Pool alkalmazáshoz való csatlakozás előtt ügyeljen a következőkre:

- Használjon Wi-Fi kompatibilis okostelefont vagy táblagépet.
- Használjon olyan Wi-Fi-hálózatot, amelynek a jele kellően erős a hőszivattyúhoz való csatlakozás közben: a Wi-Fi-jelnek érzékelhetőnek kell lennie azon a helyen, ahol a készüléket használják. Ellenkező esetben műszaki megoldást kell találni a meglévő jel felerősítésére.
- Maradjon a készülék közelében és készítse elő az otthoni Wi-Fi-hálózat jelszavát.

Töltse le a Fluidra Pool applikációt (QR kód a készülék hátulján)



Nyomja meg és tartsa lenyomva

A „SET” villog

Nyissa meg az alkalmazást, és kövesse az alkalmazásban leírt lépéseket a hőszivattyú hozzáadásához.



Téliésítés



A készülék kikapcsolásához nyomja meg 2 mp-ig és tartsa lenyomva

Minimum 3 percet kapcsolja le az áramot

Nyissa ki a B szelepet. Csukja be az A és C szelepeket, valamint nyissa meg a D és E szelepeket (ha vannak)

Engedje le a kondenzátorból a vizet a fagyveszély elkerülése érdekében

Tegye fel a téli huzatot

- A medence teljes téliésítése esetén (a szűrőrendszer teljes leállítás, a szűrőkör leengedése, vagy akár a medence leürítése): szerelje vissza a két csatlakozót egy fordulattal, hogy elkerülje az idegen testek bejutását a kondenzátorba.
- Csak a hőszivattyú téliésítése esetén (kizárólag a fűtés leállítása, a szűrés továbbra is működik): ne húzza meg a csatlakozókat, hanem helyezzen el 2 záródugót (mellékelve) a kondenzátor vízbemenetein és kimenetein.
- Tegye fel a téli huzatot (mellékelve) a hőszivattyúra úgy, hogy az erre a célra kialakított nyíláson átvezeti a hidraulikus csatlakozásokat. Nem szükséges a hidraulikus és elektromos csatlakozásokat lecsatlakoztatni.



- A téliésítés alapvető fontosságú a kondenzátor fagyás miatti törésének elkerülése érdekében (téliésítés nélkül a fagy miatti károkra nem érvényes a garancia).
- Mivel a kicsapódó nedvesség kárt tehet a berendezésben, ne fedje le teljesen és használja a mellékelt téli huzatot.



Karbantartás

- Győződjön meg arról, hogy a szellőzőrácsokat nem zárja el idegen test.
- Tisztítsa meg a párologtatót egy puha kefe és tiszta vízszugár segítségével (csatlakoztassa le a tápkábelt).
- Az azt esetlegesen eltömítő szennyeződések eltávolítása érdekében tisztítsa meg a kondenzátum elvezető csövet.
- Győződjön meg arról, hogy a kapcsolódódoboz szellőzőrácsa tiszta.
- Ne alkalmazzon nagy nyomású sugarat. Ne permetezzen esővizet vagy sókat vagy ásványokkal terhelt vizet.
- Tisztítsa meg a berendezés külső burkolatát; ne használjon oldószereket. Használhat speciális tisztítókészletet, mint: a PAC NET, ami külön kaphat.




- Ne kösse le az elektromos táplálást a készülék működése közben. Ha az elektromos táplálás megszakad, várjon egy percet, mielőtt visszaállítja a készülék áramellátását.
- Minden karbantartási, üzemzavar-elhárítási vagy javítási művelet előtt javasolt kikapcsolni a modem wifi-kapcsolatát a készülék távoli kezelése kockázatának elkerülése érdekében.
- A készüléken évente legalább egyszer ajánlott általános karbantartást végezni a megfelelő működés biztosítása, a teljesítményszintek fenntartása és az esetleges meghibásodások elkerülése érdekében. Ezeket a műveleteket, a felhasználó költségére, szakember végzi el.







Az R32 hűtőközzel kapcsolatos biztonsági előírásokkal és a szakképzett szakember által elvégzendő karbantartási feladatokkal kapcsolatos további részleteket az online elérhető kézikönyvben találja.



- Probléma esetén, a vizszinteladóval való kapcsolatfelvétel előtt végezze el ezt a néhány egyszerű ellenőrzést. Ha a probléma továbbra is fennáll, vegye fel a kapcsolatot a vizszinteladójával.
- : A műveleteket kizárólag szakképzett szakember végezheti.

A készülék viselkedése

A készülék nem kezd azonnal fűteni	<ul style="list-style-type: none"> • Ha a vízáramlás nulla vagy elégtelen, a készülék leáll: ellenőrizze, hogy a víz megfelelően áramlik-e a készülékben, és hogy a hidraulikus bekötések megfelelőek-e. • A készülék leáll, ha a külső hőmérséklet -7°C alá csökken.
Az eszközből víz távozik	<ul style="list-style-type: none"> • Annak ellenőrzése érdekében, hogy a víz nem a medencevíz-készülék körben fellépő szivárgásából származik, kapcsolja ki, és a víz készülékben történő áramoltatásához működtesse a szűrőszivattyút. Ha a víz továbbra is elfolyik a kondenzvíz csöveken keresztül, vízszivárgás van a készülékben: vegye fel a kapcsolatot a vizszinteladójával.
Az elpárologtató megfagyott	<ul style="list-style-type: none"> • A készülék hamarosan jégmentesítési ciklusba vált, hogy leolvassza jeget. • Ha a készülék nem tudja jégmentesíteni az elpárologtatót, automatikusan kikapcsol, ez azt jelenti, hogy a külső hőmérséklet túl alacsony (-7°C alatti).
A készülék „füstöl”	<ul style="list-style-type: none"> • Ha a készüléke nincs jégmentesítési ciklusban, akkor ez nem normális jelenség. Azonnal kapcsolja ki és válassza le a hálózatról a készüléke és vegye fel a kapcsolatot a vizszinteladójával.
A készülék nem működik.	<ul style="list-style-type: none"> •  Ha nincs kijelzés, ellenőrizze a tápfeszültséget és az F1 biztosítékot. • Ha a vízáramlás nulla vagy elégtelen, a készülék leáll: ellenőrizze, hogy a víz megfelelően áramlik-e a készülékben.
A ventilátor működik, de a kompresszor időről időre leáll, hibaüzenet nélkül	<ul style="list-style-type: none"> • Ha a külső hőmérséklet alacsony, a készülék jégmentesítési ciklusokat végez. • A készülék nem képes elegendő kalóriát begyűjteni, mert az elpárologtatója eltömődött. Tisztítsa meg a teljesítmény helyreállításához.
A készülék működik, de a víz hőmérséklete nem emelkedik	<ul style="list-style-type: none"> • A működési mód nem elég hatékony. Váltson „BOOST” üzemmódba, és állítsa a szűrést kézzel 24/24 értékre, a hőmérséklet emelése érdekében. • Ellenőrizze, hogy az automatikus feltöltőszелеp nem blokkolódott-e nyitott helyzetben, ami továbbra is hideg vízzel táplálja a medencét és megakadályozza a hőmérséklet emelkedését. • Túlságosan sok a hővesztés, mert a levegő hűvös. Helyezzen hőszigetelő burkolatot a medence fölé. • A készülék nem képes elegendő kalóriát begyűjteni, mert az elpárologtatója eltömődött. Tisztítsa meg a teljesítmény helyreállításához. •  Ellenőrizze, hogy a készülék mérete megfelelő ehhez a medencéhez és a környezetéhez.
A készülék kioldja a megszakítót	<ul style="list-style-type: none"> •  Ellenőrizze, hogy a megszakító megfelelően van méretezve, és hogy az alkalmazott kábel keresztmetszete megfelelő. •  A hálózati feszültség túl alacsony; lépjen kapcsolatba az áramszolgáltatóval.



A hibakódok megjelenítéséről és a kapcsolási rajzról további részletek az online kézikönyvben találhatóak.



Teljesítmények: levegő 26 °C-on / víz 26 °C-on / 80% páratartalom.

		MD3	MD4	MD5	MD6	MD8
Visszanyert teljesítmény (max - min fordulatszám)	kW	7,0-2	9,5-2,3	13,0-2,4	15,0-2,5	19,0-7,5
Felhasznált teljesítmény (max – min fordulatszám)	kW	1,1-0,15	1,4-0,2	2,0-0,1	2,5-0,15	3,5-0,6
Átlagos teljesítménytényező (max - min fordulatszám)		6,5-13,4	6,7-13,5	6,5-16,4	6,0-16,3	5,6-12,5
		MD9	MD12	TD8	TD9	TD12
Visszanyert teljesítmény (max - min fordulatszám)	kW	24,0-6,7	31,0-9,2	19,0-7,5	24,0-6,7	31,0-9,2
Felhasznált teljesítmény (max – min fordulatszám)	kW	4,5-0,5	5,6-0,7	3,5-0,6	4,5-0,5	5,6-0,7
Átlagos teljesítménytényező (max - min fordulatszám)		5,4-13,7	5,4-13,2	5,6-12,5	5,4-13,7	5,4-13,2

Műszaki leírás

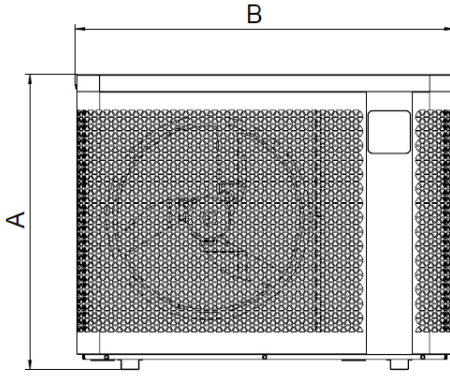
Működési hőmérséklet	Levegő	-7 - 43°C
	Víz	„Fűtés” üzemmódban: 15 és 40°C között „Hűtés” üzemmódban: 8 és 28°C között
Üzemi nyomás	Hűtőközeg	0,5-42 bar (0,05-4,2 MPa)
	Víz	0-2 bar (0-0,2 MPa)
Elektromos táplálás		220-240 V / 1 fázis / 50-60 Hz 380 - 400 V / 3 fázis / 50-60 Hz (csak TD8, TD9, TD12)
Megengedett feszültségingadozás		± 6 % (működés közben)
Hidraulikus csatlakozások		2 PVC csatlakozás, , 1/ 2 Union Ø 50
Hűtőközeg típusa		R32
Védettségi fokozat		IPX4
Frekvenciasávok	GHz	2,400-2,497
Rádiófrekvenciás átviteli teljesítmény	dBm	+19,5
Telepítés helye		kültéri

Műszaki leírás

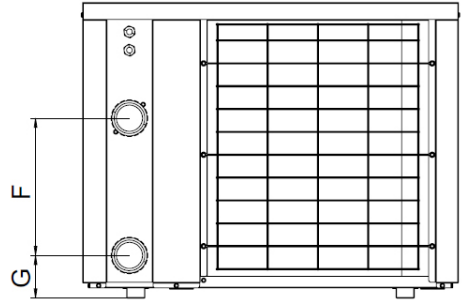
		MD3	MD4	MD5	MD6	MD8
Névleges felvett áramerősség	A	4,7	6	8,4	10,7	14
Maximális felvett áramerősség	A	8	9	13	16	19
Kábel minimális átmérője*	mm ²	3 x 2,5			3 x 4	
Hangteljesítmény (max-min)	dB(A)	62-50	65-52		67-54	69
Hangnyomás 10 m-en (max-min)	dB(A)	31-19	34-21		36-23	38
Javasolt vízáramlás	m ³ /h	3	4	5	6	7
Hűtőközeg terhelés	kg	0,3	0,45	0,6	0,7	1,0
	Tonna CO2 Egyenérték	0,20	0,30	0,41	0,47	0,68
Hozzávetőleges súly	kg	42,5	44,5	49,5	56	70
		MD9	MD12	TD8	TD9	TD12
Névleges felvett áramerősség	A	15,3	23	5,2	7,4	9,6
Maximális felvett áramerősség	A	20	30	8	9	12
Kábel minimális átmérője*	mm ²	3 x 4	3 x 6	5 x 2,5		5 x 4
Hangteljesítmény (max-min)	dB(A)	71	74	69	71	74
Hangnyomás 10 m-en (max-min)	dB(A)	40	43	38	40	43
Javasolt vízáramlás	m ³ /h	8	11	7	8	11
Hűtőközeg terhelés	kg	1,25	1,55	1,0	1,25	1,55
	Tonna CO2 Egyenérték	0,84	1,05	0,68	0,84	1,05
Hozzávetőleges súly	kg	88,5	107	73,5	92	103

* Az értékek tájékoztató jelleggel vannak megadva maximum 20 méter hosszúság esetén (a számítás alapja: NFC15-100), ezeket ellenőrizni kell és hozzá kell igazítani a telepítési feltételekhez és a telepítési ország szabványaihoz.

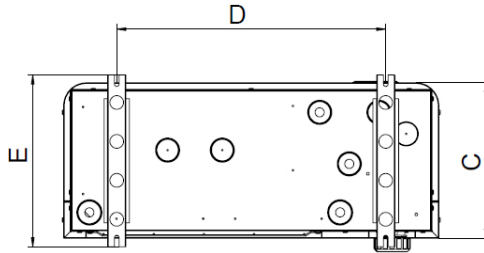
Méretetek



Előre



Hátra



Alatt

	A	B	C	D	E	F	G
MD3	646	823	339,5	590	375	300	93
MD4						260	103
MD5						330	
MD6		906		593		350	93
MD8	746	1103	359	790	395	367	
MD9						430	
MD12	846	1133	509,5	743	545		
TD8							
TD9							
TD12							



OSTRZEŻENIA



Niniejsza instrukcja zawiera jedynie podstawowe informacje dotyczące środków bezpieczeństwa, których należy przestrzegać podczas instalacji, konserwacji i uruchamiania. Pełną instrukcję można przeczytać i pobrać jako plik PDF ze strony internetowej: www.zodiac.com. Wszystkie prace montażowe, instalacyjne i konserwacyjne muszą być wykonywane przez wykwalifikowaną i upoważnioną personel, który dokładnie zapoznał się z niniejszą instrukcją. Zastrzegamy sobie prawo do całkowitej lub częściowej zmiany właściwości naszych produktów lub treści niniejszego dokumentu bez wcześniejszego zawiadomienia.



OSTRZEŻENIA OGÓLNE

- Urządzenie jest przeznaczone do użytku w basenach i SPA w ściśle określonym celu – nie należy go używać do celów innych niż te, do których zostało zaprojektowane.
- Niezastosowanie się do ostrzeżeń może spowodować poważne uszkodzenie wyposażenia basenu lub poważne obrażenia, a nawet śmierć.
- To urządzenie nie jest przeznaczone do użytku przez osoby (w tym dzieci) o ograniczonych zdolnościach fizycznych, sensorycznych lub umysłowych lub nieposiadające doświadczenia i wiedzy, chyba że będą one nadzorowane lub zostaną poinstruowane w zakresie korzystania z urządzenia przez osobę odpowiedzialną za ich bezpieczeństwo. Należy nadzorować dzieci, aby upewnić się, że nie bawią się urządzeniem.
- To urządzenie może być używane przez dzieci w wieku powyżej 8 lat oraz przez osoby o ograniczonych zdolnościach fizycznych, sensorycznych lub umysłowych, a także osoby nieposiadające doświadczenia i wiedzy, jeśli są one nadzorowane lub zostały poinstruowane w zakresie bezpiecznego użytkowania urządzenia i rozumieją związane z tym ryzyko. Dzieci nie powinny bawić się urządzeniem. Wszelkie czynności dotyczące czyszczenia i konserwacji przeprowadzane przez użytkownika nie mogą być wykonywane przez dzieci bez nadzoru.
- Urządzenie należy zainstalować zgodnie z instrukcjami producenta oraz obowiązującymi przepisami lokalnymi i krajowymi.
- Nasze produkty mogą być montowane i instalowane wyłącznie w basenach zgodnych z normami CEI/HD 60364-7-702 i obowiązującymi przepisami krajowymi. Instalacja musi być zgodna z normą CEI/HD 60364-7-702 oraz obowiązującymi przepisami krajowymi dotyczącymi basenów. Aby uzyskać więcej informacji, należy skontaktować się z lokalnym sprzedawcą.

OSTRZEŻENIA DOTYCZĄCE URZĄDZEŃ ELEKTRYCZNYCH

- Zasilanie elektryczne urządzenia musi być chronione przez specjalny wyłącznik różnicowoprądowy o wartości 30 mA, zgodnie z przepisami obowiązującymi w kraju, w którym urządzenie jest zainstalowane.
- Urządzenie nie zawiera wyłącznika elektrycznego do odłączania. Należy dodać urządzenie odłączające zasilanie z okablowaniem przyłączeniowym co najmniej kategorii OVC III, zgodnie z obowiązującymi przepisami krajowymi.
- Jeśli kabel zasilający jest uszkodzony, może zostać wymieniony na nowy tylko przez producenta, jego autoryzowanego przedstawiciela lub warsztat naprawczy.

OSTRZEŻENIA DOTYCZĄCE URZĄDZEŃ ZAWIERAJĄCYCH CZYNNIK CHŁODNICZY R32



- Urządzenie zawiera czynnik chłodniczy R32, który jest czynnikiem chłodniczym kategorii A2L, uważanym za potencjalnie łatwopalny.
- Płyn R32 nie może być odprowadzany do otoczenia. Jest to fluorowany gaz cieplarniany objęty protokołem z Kioto, o globalnym potencjale grzewczym (GWP) = 675 (patrz przepisy europejskie WE 517/2014).
- Aby zapewnić zgodność z odpowiednimi normami i przepisami dotyczącymi środowiska oraz instalacji, a w szczególności z francuskim rozporządzeniem nr 2015-1790 i/lub rozporządzeniem europejskim UE 517/2014, szczerelność obwodu chłodniczego musi być sprawdzana w chwili oddania urządzenia do eksploatacji, a następnie co najmniej raz w roku. Czynność ta musi być przeprowadzana przez specjalistę certyfikowanego w dziedzinie urządzeń chłodniczych.
- Urządzenie powinno zostać zainstalowane na wolnym powietrzu. Nie instaluj urządzenia w pomieszczeniu zadaszonym lub w miejscu zamkniętym i nieprzewietrzanym.
- Podczas ciągłego funkcjonowania, urządzenie musi być przechowywane w pomieszczeniu niezawierającym żadnych źródeł iskiei (na przykład: otwarty płomień, działające urządzenie gazowe lub działające ogrzewanie elektryczne).
- Więcej informacji można znaleźć we wskazówkach bezpieczeństwa dotyczących urządzeń zawierających gaz R32 w kompletnej wersji instrukcji, w której zamieszczone zostały informacje dotyczące takich tematów, jak kontrola lokalizacji, procedura pracy, ogólny obszar pracy, kontrola obecności czynnika chłodniczego, kontrola obecności gaśnicy, brak źródła iskiei, wentylacja pomieszczenia, kontrola urządzeń chłodniczych, kontrola elementów elektrycznych, naprawa elementów izolowanych, naprawa elementów samoistnych, okablowanie, wykrywanie łatwopalnego czynnika chłodniczego, jego odprowadzanie i opróżnianie, procedury napełniania i demontażu.
- Należy pamiętać, że czynnik chłodniczy R32 nie ma żadnego zapachu.
- Nie używać żadnych środków przyspieszających proces odszraniania lub czyszczenia, innych niż zalecane przez producenta.
- Nie przekłuwaj ani nie spalaj.

INSTALACJA I KONSERWACJA

- Tylko osoba wykwalifikowana w zakresie odpowiednich dziedzin techniki (elektryczność, hydraulika lub chłodzenie) jest upoważniona do przeprowadzania prac konserwacyjnych lub napraw urządzenia.
- Urządzenia nie można instalować w pobliżu materiałów palnych lub otworu wlotowego powietrza z sąsiedniego budynku.
- Podczas konserwacji urządzenia należy sprawdzić skład i stan czynnika przenoszącego ciepło, a także czy nie ma żadnych śladów płynu chłodzącego.
- Podczas corocznego testu szczelności urządzenia zgodnie z obowiązującymi przepisami należy sprawdzić, czy przełączniki wysokiego i niskiego ciśnienia są prawidłowo podłączone do obwodu chłodniczego i czy w przypadku wyzwolenia odcinają obwód elektryczny.
- Podczas prac konserwacyjnych należy upewnić się, że wokół elementów chłodniczych nie ma żadnych śladów korozji ani oleju.
- Przed rozpoczęciem prac przy układzie chłodzenia należy wyłączyć urządzenie i odczekać kilka minut przed zamontowaniem czujników temperatury i ciśnienia. Niektóre elementy, takie jak sprężarka i orurowanie, mogą osiągać wysoką temperaturę powyżej 100°C i wysokie ciśnienie, co stanowi ryzyko odniesienia poważnych oparzeń.



OSTRZEŻENIA



SPECYFIKACJE CZYNNIKA CHŁODNICZEGO

Kontrola obszaru

- Przed rozpoczęciem jakichkolwiek prac dotyczących układów zawierających łatwopalne czynniki chłodnicze konieczne jest przeprowadzenie kontroli bezpieczeństwa w celu ograniczenia ryzyka iskrzenia.

Procedura robocza

- Prace należy wykonywać zgodnie z kontrolowaną procedurą w celu zmniejszenia ryzyka obecności łatwopalnych gazów lub oparów podczas wykonywania prac.

Ogólny obszar roboczy

- Pracownicy działu konserwacji i inne osoby pracujące w obszarze roboczym muszą zostać poinformowane o rodzaju prowadzonych prac. Należy unikać pracy w przestrzeniach zamkniętych.

Kontrola obecności czynnika chłodniczego

- Obszar należy sprawdzać przed i podczas pracy za pomocą odpowiedniego detektora czynnika chłodniczego, aby upewnić się, że technik zostanie poinformowany o atmosferze potencjalnie toksycznej lub łatwopalnej. Należy upewnić się, że sprzęt używany do wykrywania wycieków jest odpowiedni dla wszystkich stosowanych czynników chłodniczych, co oznacza, że nie może powodować iskrzenia, jest odpowiednio izolowany lub całkowicie bezpieczny.

Kontrola obecności gaśnicy

- Jeżeli przy sprzęcie chłodniczym lub jakiegokolwiek części z nim związanej mają być wykonywane prace wymagające wysokiej temperatury, odpowiedni sprzęt gaśniczy musi być łatwo dostępny. W pobliżu miejsca załadunku musi znajdować się gaśnica proszkowa lub CO₂.

Brak źródła zapłonu

- Osobom wykonującym przy instalacji chłodniczej prace, które wymagają odłączenia przewodów rurowych, zabrania się używania źródeł zapłonu w sposób mogący spowodować zagrożenie pożarem lub wybuchem. Wszystkie możliwe źródła zapłonu, w tym papierosy, powinny znajdować się wystarczająco daleko od miejsca instalacji, prac naprawczych, dotyczących wymiany lub usuwania elementów, jeśli czynnik chłodniczy może ewentualnie zostać uwolniony do otaczającej przestrzeni. Przed rozpoczęciem prac należy sprawdzić obszar wokół urządzenia, aby upewnić się, że nie ma żadnego zagrożenia zapłonu. Należy wywiesić tabliczki „Zakaz palenia”.

Wentylacja obszaru

- Przed uzyskaniem dostępu do urządzenia w celu przeprowadzenia jakichkolwiek prac konserwacyjnych należy upewnić się, że obszar jest otwarty i prawidłowo wentylowany. Podczas konserwacji urządzenia należy zapewnić odpowiednią wentylację, aby umożliwić bezpieczne rozproszenie czynnika chłodniczego, który może zostać przypadkowo uwolniony do atmosfery.

INFORMACJE DOTYCZĄCE PRODUKTÓW WYPOSAŻONYCH W FUNKCJE ŁĄCZNOŚCI (zgodnie z dyrektywą RED)

Deklaracja zgodności

Firma Zodiac niniejszym oświadcza, że urządzenie radiowe gamy PX25 jest zgodne z dyrektywą 2014/53/UE. Pełny tekst europejskiej Deklaracji Zgodności jest dostępny pod następującym adresem: <https://www.zodiac-poolcare.com/>.

1 Instalacja urządzenia

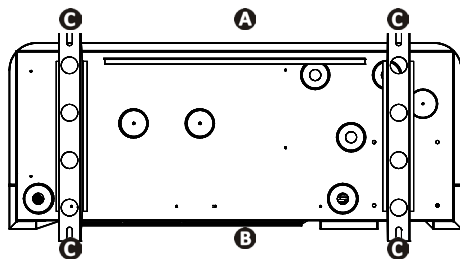


1 Instalacja



- Urządzenie musi być zainstalowane na zewnątrz, w odległości wynoszącej co najmniej 2 metry od krawędzi basenu.

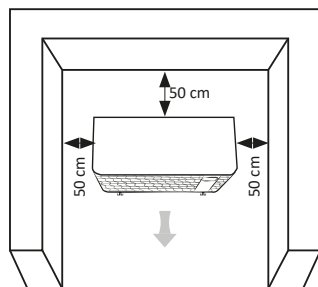
Urządzenie musi być umieszczone na mocowaniach antywibracyjnych (dostarczanych w zestawie z urządzeniem), na stabilnej, solidnej i równej powierzchni



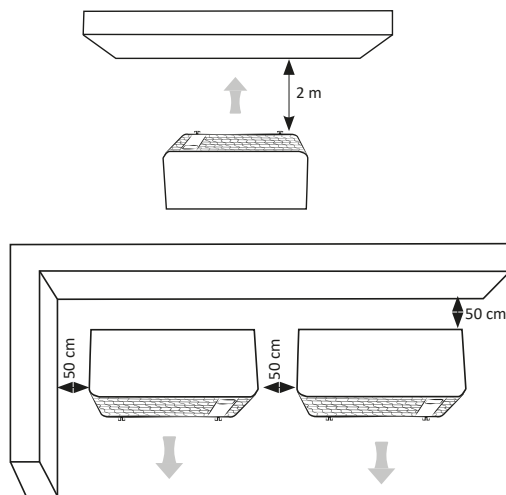
- A**: Przód
- B**: Tył
- C**: Mocowania antywibracyjne

Widok podstawy urządzenia od dołu w celu zainstalowania mocowań antywibracyjnych

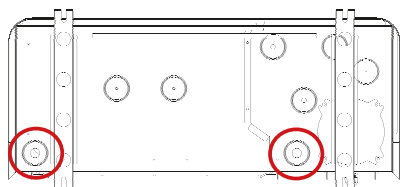
Wybór lokalizacji



Odległości minimalne



Odprowadzanie kondensatu: Podnieś urządzenie na co najmniej 10 cm za pomocą mocowań antywibracyjnych i zamontuj dwie rury spustowe kondensatu w otworach znajdujących się pod podstawą urządzenia.



Więcej informacji na temat środków ostrożności podczas instalacji i przyłączy hydraulicznych można znaleźć w instrukcji dostępnej online.

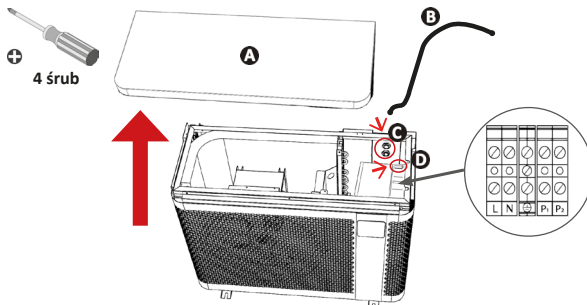


- Przed rozpoczęciem jakichkolwiek prac wewnątrz urządzenia należy odciąć zasilanie (ryzyko porażenia prądem). Odcięcie zasilania elektrycznego należy wykonać w taki sposób, aby użytkownik mógł zawsze sprawdzić z dowolnego miejsca, do którego ma dostęp, czy zasilanie elektryczne pozostaje odłączone. Jeśli nie jest to możliwe, należy zapewnić rozłączenie z użyciem systemu blokującego.
- Tylko wykwalifikowany i doświadczony technik jest upoważniony do wykonywania prac dotyczących podłączenia okablowania do urządzenia lub wymiany kabla zasilającego.
- Upewnij się, że śruby zacisków są dokręcone prawidłowo (ryzyko pożaru). Niewłaściwie dokręcone śruby zacisków powodują utratę gwarancji.
- Nie odłączaj zasilania podczas pracy urządzenia. Jeśli zasilanie zostanie przerwane, należy odczekać jedną minutę przed ponownym włączeniem zasilania.

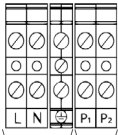


Podłącz urządzenie do zasilania elektrycznego i akcesoriów

Otwórz i zdejmij górny panel **A** za pomocą śrubokręta (4 śruby), aby uzyskać dostęp do elektrycznej listwy zaciskowej. **B** Włóż kabel zasilający do jednego z przepustów kablowych z tyłu urządzenia. W urządzeniu zamocuj kabel zasilający, przekładając go przez opaskę kablową **D**.



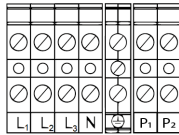
Podłącz kabel zasilający do listwy zaciskowej wewnątrz urządzenia w sposób opisany poniżej.



Podłączenie do zasilania elektrycznego

Podłączenie opcji (pompa filtracyjna, przełącznik zasilania elektrycznego).

Listwa zaciskowa zasilania jednofazowego



Podłączenie do zasilania elektrycznego

Podłączenie opcji (pompa filtracyjna, przełącznik zasilania elektrycznego).

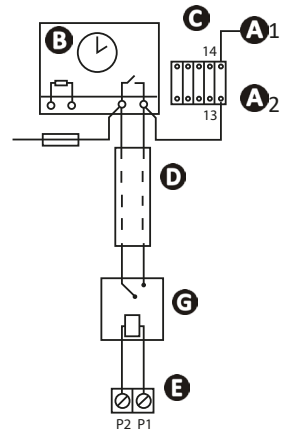
Listwa zaciskowa zasilania trójfazowego

L: Napięcie

N: Neutralny

⊥: Uziemienie

Podłączenie priorytetu grzania



A1 - A2: Zasilanie przeznaczone dla cewki stycznika mocy pompy filtracyjnej

B: Zegar filtrowania

C: Stycznik (dwubiegunowy) pompy filtracyjnej

D: Niezależny kabel dla funkcji „priorytet grzania” (nie jest dostarczany w zestawie)

E: Listwa pompy układu grzewczego

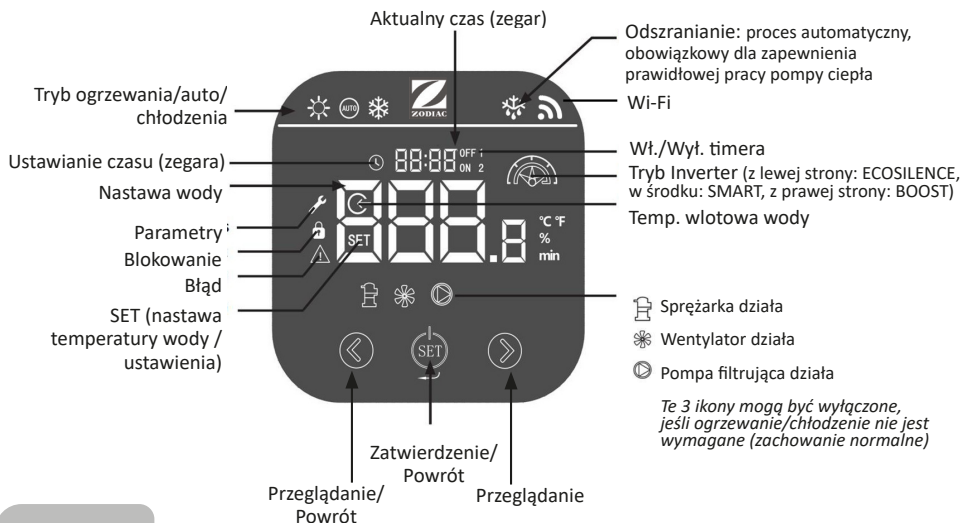
F: Bezpiecznik

G: Przełącznik ze stykiem bezprądowym/230 V (nie jest dostarczany w zestawie)

Okablowanie i ochrona kabli

Model	Zasilanie elektryczne	Natężenie maks.	Średnica kabla*	Magnetyczna ochrona termiczna (krzywa D)	
MD3	220–240 V 1 faza 50-60 Hz	8	RO2V 3x2,5 mm ²	16 A	
MD4		9		16 A	
MD5		13		16 A	
MD6		16		20 A	
MD8		19		RO2V 3x4 mm ²	20 A
MD9		20		25 A	
MD12		30	RO2V 3x6 mm ²	32 A	
TD8	380–400 V 3 faza 50-60 Hz	8	RO2V 5x2,5 mm ²	10 A	
TD9		9		10 A	
TD12		12		RO2V 5x4 mm ²	16 A

* Przekrój kabla jest odpowiedni dla kabli o długości do 20 metrów. W przypadku większej długości skonsultuj się z elektrykiem.



Te 3 ikony mogą być wyłączone, jeśli ogrzewanie/chłodzenie nie jest wymagane (zachowanie normalne)

Ikony

Tryb		Opis
	Ogrzewanie	ECOSILENCE Praca ze zmniejszoną mocą, dla zapewnienia większej oszczędności energii i minimalnego poziomu hałasu. Tryb idealny w celu utrzymania temperatury, gdy temperatura powietrza na zewnątrz jest wysoka.
		SMART Automatyczna regulacja mocy w razie potrzeby. Automatycznie przełącza między trybami ECOSILENCE i BOOST.
		BOOST Maksymalna moc działania w celu szybkiego nagrzewania. Tryb idealny na początku sezonu do podniesienia lub utrzymania temperatury, gdy powietrze na zewnątrz jest zimne.
	Grzanie/ Chłodzenie (tryb zalecany)	SMART Pompa ciepła automatycznie wybiera najbardziej odpowiedni tryb pracy zgodnie z ustawioną temperaturą.
	Chłodzenie	ECOSILENCE Chłodzenie basenu ze zmniejszoną mocą, dla zapewnienia większej oszczędności energii i minimalnego poziomu hałasu.
		SMART Automatyczna regulacja mocy w zależności od potrzeb. Automatycznie przełącza między trybami ECOSILENCE i BOOST.
		BOOST Chłodzenie basenu z maksymalną mocą, aby uzyskać szybkie schłodzenie.



Blokowanie/ odblokowanie klawiatury



3 sekundy



Ustawianie zegara



Naciśnij 2 razy.



miga.



Naciśnij, aby ustawić
godziny



Naciśnij, aby zmienić.



Naciśnij, aby zatwierdzić.
Naciśnij SET ponownie, aby
ustawić minuty.



Naciśnij przez 1 s, aby potwierdzić
i powrócić do ekranu głównego.



Ustawienie nastawy temperatury



Odblokuj klawiaturę (3 s)

Sprawdź, czy sprężarka
pracuje:
pojawi się ikona trybu
pracy.



Zmień temperaturę. Ikona
trybu pracy miga.

Zalecana temperatura: 28°C




Wybór trybów pracy

Pompa ciepła jest wyposażona
w 4 tryby pracy ogrzewanie/
chłodzenie, umożliwiające
dostosowanie prędkości jej
pracy do wymaganej mocy
i wybranego trybu:

- tryb „BOOST”
- tryb „SMART”
- tryb „ECOSILENCE”
- tryb „Auto” (zalecany)



Odblokuj klawiaturę (3 s).
Następnie naciśnij SET.

Pojawi się wskaźnik .



Nawigacja w dostępnych
trybach.



Naciśnij, aby zatwierdzić.
Naciśnij i przytrzymaj przez
2 sekundy, aby uruchomić.



Wyłączanie pompy ciepła



Odblokuj klawiaturę (3 s).



Naciśnij i przytrzymaj przez
2 sekundy. Pompa zatrzyma
się po kilku minutach.



Ikona znika, gdy sprężarka
nie pracuje.



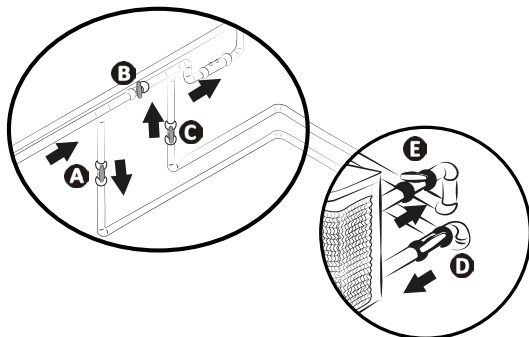
Naciśnij i przytrzymaj przez
2 sekundy, aby ponownie
włączyć sprężarkę.




Więcej informacji na temat trybów pracy
i timerów można znaleźć w instrukcji
dostępnej online.



Otwieranie obwodu hydraulicznego

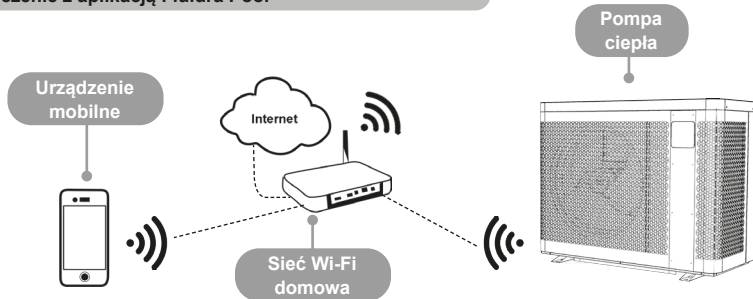


UWAGA: nieodpowiednie ustawienie obejścia może prowadzić do nieprawidłowego działania pompy ciepła.

- Zamknij stopniowo zawór B.
- Otwórz całkowicie zawory A, C i D. Otwórz zawór E do połowy (powietrze zgromadzone w skraplaczu i w obwodzie filtracyjnym zostanie usunięte). Jeśli nie ma zaworów D i E, otwórz całkowicie zawór A i zamknij zawór C do połowy.
- Wykonaj podłączenie zasilania elektrycznego pompy ciepła.
- Jeśli pompa ciepła znajduje się w stanie czuwania, naciśnij  i przytrzymaj przez 3 sekundy: Ustawianie zegara i wybór trybu pracy.
- Ustaw żądaną temperaturę.



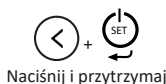
Połączenie z aplikacją Fluidra Pool



Pompa ciepła może być sterowana zdalnie za pomocą smartfona lub tabletu, za pośrednictwem aplikacji Fluidra Pool dostępnej na systemy operacyjne iOS i Android. Przed rozpoczęciem połączenia z aplikacją Fluidra Pool upewnij się, że:

- używasz smartfona lub tabletu kompatybilnego z funkcją Wi-Fi;
- podczas nawiązywania połączenia z pompą ciepła używasz sieci Wi-Fi z wystarczająco sygnałem: sygnał Wi-Fi musi być możliwy do odebrania w miejscu, w którym urządzenie jest używane. Jeśli tak nie jest, należy zapewnić odpowiednie rozwiązanie techniczne w celu wzmocnienia istniejącego sygnału;
- pozostajesz w pobliżu urządzenia i masz przygotowane hasło do domowej sieci Wi-Fi.

Pobierz aplikację Fluidra Pool (kod QR z tyłu urządzenia)



„SET” miga

Otwórz aplikację i wykonaj czynności opisane w aplikacji, aby dodać pompę ciepła.

**Zimowanie**

Naciśnij i przytrzymaj przez 2s aby wyłączyć urządzenie

Odłącz zasilanie elektryczne na co najmniej 3 minuty

Otwórz zawór B. Zamknij zawory A i C oraz otwórz zawory D i E (jeśli dotyczy)

Odprowadź wodę ze skraplacza, aby uniknąć ryzyka zamarznięcia

Założ przykrycie na okres zimowania

- W przypadku przygotowania do zimowania całości basenu (całkowite wyłączenie systemu filtracji, opróżnienie obwodu filtracji lub nawet opróżnienie basenu): załóż ponownie oba złącza, przekręcając o jeden obrót, aby uniknąć przedostawania się ciał obcych do skraplacza.
- W przypadku zimowania tylko pompy ciepła (tylko wyłączenie ogrzewania, filtrowanie nadal działa): nie dokręcaj złączy, ale załóż 2 zatyczki (dostarczone w zestawie) na otwory wlotowe i wylotowe wody skraplacza.
- Załóż przykrycie na okres zimowania (dostarczane w zestawie) na pompę ciepła, przeprowadzając połączenia hydrauliczne przez otwór przeznaczony do tego celu. Nie ma potrzeby rozłączania przyłączy hydraulicznych i elektrycznych.



- **Zimowanie jest niezbędne, aby uniknąć pęknięcia skraplacza w wyniku zamarznięcia (uszkodzenie w wyniku zamrożenia bez przygotowania do zimowania nie jest objęte gwarancją).**
- Aby uniknąć uszkodzenia urządzenia przez kondensację, nie należy go szczelnie przykrywać, ale wykorzystać dostarczone w zestawie przykrycie na okres zimowania.

**Konserwacja**

- Upewnij się, że kratka wentylacyjna nie jest zablokowana przez ciała obce.
- Wyczyść parownik miękką szczotką i strumieniem czystej wody (po odłączeniu kabla zasilającego).
- Oczyszcz przewód odprowadzania kondensatu, aby usunąć wszelkie zanieczyszczenia, które mogłyby go zatkać.
- Upewnij się, że kratka wentylacyjna skrzynki rozdzielczej jest czysta.
- Nie używaj myjki wysokociśnieniowej. Nie spryskuj wodą deszczową, słoną lub o dużej zawartości składników mineralnych.
- Wyczyść zewnętrzną część urządzenia, nie używając produktów na bazie rozpuszczalników. Możesz użyć specjalnego zestawu do czyszczenia PAC NET, dostępnego jako akcesorium.




- **Nie odłączaj zasilania podczas pracy urządzenia. Jeśli zasilanie zostanie przerwane, należy odczekać minutę przed ponownym włączeniem zasilania urządzenia.**
- **Przed przystąpieniem do jakichkolwiek czynności konserwacyjnych, dotyczących rozwiązywania problemów lub napraw, zaleca się dezaktywację połączenia Wi-Fi modemem, aby uniknąć ryzyka zdalnego sterowania urządzeniem.**
- **Zaleca się, aby konserwacja ogólna urządzenia była przeprowadzana co najmniej raz w roku, aby zapewnić jego prawidłowe działanie, utrzymać poziom wydajności i ewentualnie uniknąć niektórych usterek. Czynności te są wykonywane przez technika na koszt użytkownika.**



Szczegółowe informacje na temat środków ostrożności związanych z czynnikiem chłodniczym R32 oraz czynności konserwacyjnych, które powinny być wykonywane przez wykwalifikowane technika, można znaleźć w instrukcji online.



- W razie wystąpienia problemu przed skontaktowaniem się ze sprzedawcą wykonaj te kilka prostych czynności kontrolnych. Jeżeli problem nie zostanie rozwiązany, skontaktuj się ze sprzedawcą.
- : czynności powinny być wykonywane wyłącznie przez wykwalifikowanego technika.

Zachowanie urządzenia

Urządzenie nie rozpoczyna grzania natychmiast	<ul style="list-style-type: none"> • Gdy przepływ wody jest zerowy lub niewystarczający, urządzenie zatrzymuje się: sprawdź, czy woda prawidłowo krąży w urządzeniu i czy przyłącza hydrauliczne zostały wykonane prawidłowo. • Urządzenie zatrzymuje się, gdy temperatura zewnętrzna spadnie poniżej -7°C.
Urządzenie wyrzuca wodę	<ul style="list-style-type: none"> • Aby sprawdzić, czy woda nie pochodzi z wycieku z obwodu basenowego urządzenia, należy wyłączyć urządzenie i uruchomić pompę filtracyjną, aby woda zaczęła krążyć w urządzeniu. Jeśli woda nadal przepływa przez przewody odprowadzania kondensatu, oznacza to, że w urządzeniu występuje wyciek wody – skontaktuj się ze sprzedawcą.
Parownik jest zamrożony	<ul style="list-style-type: none"> • Urządzenie przejdzie wkrótce do cyklu odszraniania, aby stopić lód. • Jeśli urządzenie nie może rozmrozić parownika, zatrzyma się automatycznie - oznacza to, że temperatura zewnętrzna jest zbyt niska (poniżej -7°C).
Urządzenie „dymi”	<ul style="list-style-type: none"> • Jeśli urządzenie nie znajduje się w cyklu odszraniania, nie jest to normalne. Natychmiast wyłącz urządzenie i odłącz je od zasilania, a następnie skontaktuj się ze sprzedawcą.
Urządzenie nie działa	<ul style="list-style-type: none"> •  Jeśli żadne informacje nie są pokazywane na wyświetlaczu, sprawdź napięcie zasilania i bezpiecznik F1. • Gdy przepływ wody jest zerowy lub niewystarczający, urządzenie zatrzymuje się: sprawdź, czy woda prawidłowo krąży w urządzeniu.
Wentylator działa ale sprężarka zatrzymuje się od czasu do czasu bez komunikatu o błędzie	<ul style="list-style-type: none"> • Jeśli temperatura zewnętrzna jest niska, urządzenie wykonuje cykle odszraniania. • Urządzenie nie przechwytuje wystarczającej ilości kalorii, ponieważ jego parownik jest zabrudzony. Wyczyść go, aby przywrócić odpowiednie parametry działania.
Urządzenie działa, ale temperatura wody nie wzrasta	<ul style="list-style-type: none"> • Tryb pracy nie jest wystarczająco wydajny. Przełącz urządzenie do trybu „BOOST” i ustaw ręcznie filtrację 24/24, aby zapewnić wzrost temperatury. • Sprawdź, czy automatyczny zawór napełniający nie jest zablokowany w pozycji otwartej – w takim przypadku zimna woda jest nadal doprowadzana do basenu i zapobiega wzrostowi temperatury. • Utrata ciepła jest zbyt duża, ponieważ temperatura powietrza jest niska. Załóż pokrywę izolowaną termicznie nad basenem. • Urządzenie nie przechwytuje wystarczającej ilości kalorii, ponieważ jego parownik jest zabrudzony. Wyczyść go, aby przywrócić odpowiednie parametry działania. •  Sprawdź, czy rozmiar urządzenia jest prawidłowy dla tego basenu i jego otoczenia.
Urządzenie powoduje zadziałanie wyłącznika automatycznego	<ul style="list-style-type: none"> •  Sprawdź, czy wyłącznik automatyczny jest odpowiednio zwymiarowany i czy przekrój wykorzystywanego kabla jest prawidłowy. •  Napięcie zasilania jest zbyt niskie; skontaktuj się z dostawcą energii elektrycznej.



Szczegółowe informacje na temat wyświetlania kodów błędów i schematów połączeń można znaleźć w instrukcji online.


Parametry wydajnościowe: temperatura powietrza 26°C / temperatura wody 26°C / wilgotność 80%

		MD3	MD4	MD5	MD6	MD8
Moc oddawana (prędkość maks.-min.)	kW	7,0–2	9,5–2,3	13,0–2,4	15,0–2,5	19,0–7,5
Pobór mocy (prędkość maks.-min.)	kW	1,1–0,15	1,4–0,2	2,0–0,1	2,5–0,15	3,5 - 0,6
Średni współczynnik COP (prędkość maks.-min.)		6,5–13,4	6,7–13,5	6,5–16,4	6,0–16,3	5,6–12,5
		MD9	MD12	TD8	TD9	TD12
Moc oddawana (prędkość maks.-min.)	kW	24,0–6,7	31,0–9,2	19,0–7,5	24,0–6,7	31,0–9,2
Pobór mocy (prędkość maks.-min.)	kW	4,5–0,5	5,6–0,7	3,5 - 0,6	4,5–0,5	5,6–0,7
Średni współczynnik COP (prędkość maks.-min.)		5,4–13,7	5,4–13,2	5,6–12,5	5,4–13,7	5,4–13,2

Specyfikacje techniczne

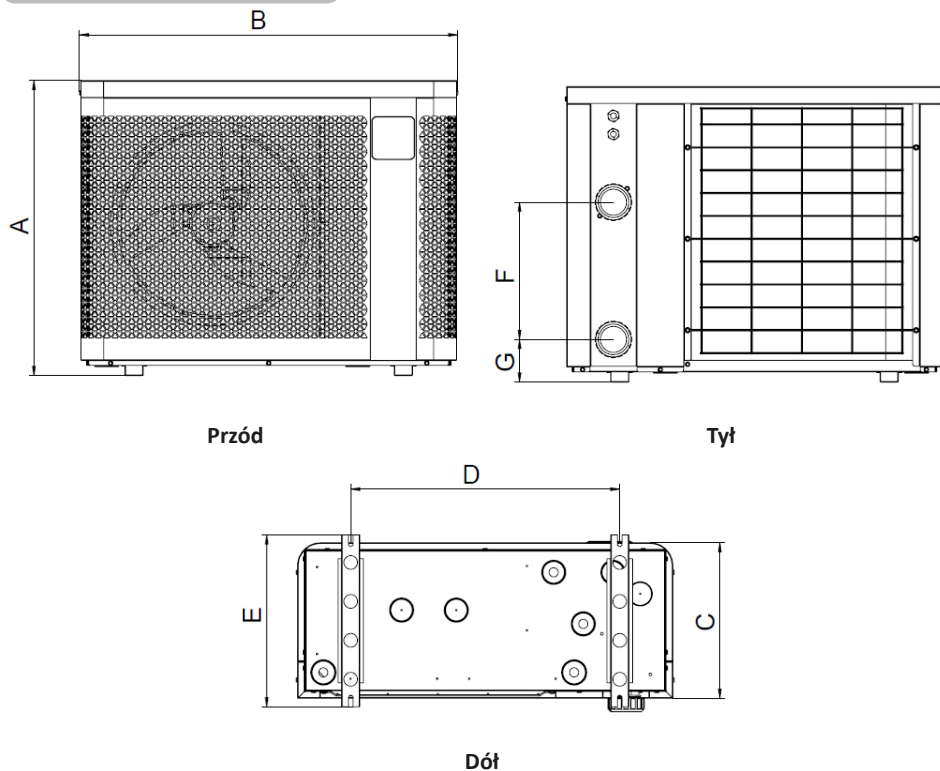
Temperatura robocza	Powietrze	od -7 do 43°C
	Woda	W trybie „Ogrzewanie”: 15 do 40 °C W trybie „Chłodzenie”: 8 do 28°C
Ciśnienie robocze	Czynnik chłodniczy	od 0,5 do 42 bar (od 0,05 do 4,2 MPa)
	Woda	od 0 do 2 bar (od 0 do 0,2 MPa)
Zasilanie elektryczne		220–240 V / jednofazowe / 50-60 Hz 380–400 V / trójfazowe / 50-60 Hz (tylko TD8, TD9, TD12)
Dopuszczalna zmiana napięcia		± 6% (podczas pracy)
Przyłącza hydrauliczne		2 złącza PCW, złączki 1/2 Ø 50
Typ czynnika chłodniczego		R32
Wskaźnik ochrony		IPX4
Pasma częstotliwości	GHz	2,400–2,497
Moc emisji fal radiowych	dBm	+19,5
Miejsce instalacji		Na zewnątrz

Specyfikacje techniczne

		MD3	MD4	MD5	MD6	MD8
Nominalne pobierane natężenie prądu	A	4,7	6	8,4	10,7	14
Maksymalne pobierane natężenie prądu	A	8	9	13	16	19
Minimalny przekrój kabla*	mm ²	3 x 2,5			3 x 4	
Moc akustyczna (maks.-min.)	dB(A)	62-50	65-52		67-54	69
Moc akustyczna w odległości 10 m (maks.-min.)	dB(A)	31-19	34-21		36-23	38
Zalecany przepływ wody	m ³ /h	3	4	5	6	7
Wkład czynnika chłodniczego	kg	0,3	0,45	0,6	0,7	1,0
	Równ. ton CO2	0,20	0,30	0,41	0,47	0,68
Przybliżony ciężar	kg	42,5	44,5	49,5	56	70
		MD9	MD12	TD8	TD9	TD12
Nominalne pobierane natężenie prądu	A	15,3	23	5,2	7,4	9,6
Maksymalne pobierane natężenie prądu	A	20	30	8	9	12
Minimalny przekrój kabla*	mm ²	3 x 4	3 x 6	5 x 2.5		5 x 4
Moc akustyczna (maks.-min.)	dB(A)	71	74	69	71	74
Moc akustyczna w odległości 10 m (maks.-min.)	dB(A)	40	43	38	40	43
Zalecany przepływ wody	m ³ /h	8	11	7	8	11
Wkład czynnika chłodniczego	kg	1,25	1,55	1,0	1,25	1,55
	Równ. ton CO2	0,84	1,05	0,68	0,84	1,05
Przybliżony ciężar	kg	88,5	107	73,5	92	103

* Wartości podane jako orientacyjne dla maksymalnej długości wynoszącej 20 metrów (podstawa obliczeń: norma NFC 15-100) należy sprawdzić i dostosować w zależności od warunków instalacji oraz norm obowiązujących w kraju instalacji.

Wymiary



	A	B	C	D	E	F	G
MD3	646	823	339,5	590	375	300	93
MD4						260	103
MD5		906		593		330	93
MD6	746	1103	359	790	395	350	
MD8						367	
MD9	846	1133	509,5	743	545	430	
MD12							
TD8							
TD9							
TD12							



ПРЕДУПРЕЖДЕНИЯ



Настоящото ръководство съдържа само основна информация за мерките за безопасност, които трябва да се спазват по време на монтажа, поддръжката и пускането в експлоатация. Пълното ръководство може да бъде прочетено и изтеглено като PDF файл от уебсайта: www.zodiac.com. Всички работи по монтажа, електрическата инсталация и поддръжката трябва да се извършват от квалифициран, упълномощен персонал, който е прочел внимателно това ръководство. Запазваме си правото да променяме всички или част от характеристиките на нашите продукти или съдържанието на този документ без предварително уведомление.



ОБЩИ ПРЕДУПРЕЖДЕНИЯ

- Уредът е предназначен за използване в плувни басейни и спа центрове със специфична цел; той не трябва да се използва за цели, различни от тези, за които е проектиран.
- Неспазването на предупрежденията може да доведе до сериозни повреди на оборудването на басейна, до сериозно нараняване или смърт.
- Този уред не е предназначен за използване от лица (включително деца) с намалени физически, сензорни или умствени способности или с липса на опит и познания, освен ако не са били наблюдавани или инструктирани за използването му от лице, отговорно за тяхната безопасност. Децата трябва да бъдат наблюдавани, за да се гарантира, че няма да си играят с уреда.
- Този уред може да се използва от деца на възраст над 8 години и от лица с намалени физически, сензорни или умствени способности или с липса на опит и познания, ако те са били наблюдавани или инструктирани за безопасното използване на уреда и разбират свързаните с него рискове. Децата не трябва да играят с уреда. Почистването и поддръжката от страна на потребителя не трябва да се извършват от деца без надзор.
- Уредът трябва да се монтира в съответствие с инструкциите на производителя и в съответствие с местните и националните разпоредби.
- Нашите продукти могат да се монтират и инсталират само в плувни басейни, които отговарят на стандартите IEC/HD 60364-7-702 и на съответните национални разпоредби. Монтажът трябва да отговаря на изискванията на IEC/HD 60364-7-702 и на националните разпоредби, изисквани за плувни басейни. Консултирайте се с местния си дилър за повече информация.

ПРЕДУПРЕЖДЕНИЯ, СВЪРЗАНИ С ЕЛЕКТРИЧЕСКИ УРЕДИ

- Електрическото захранване на уреда трябва да бъде защитено със специален 30 mA диференциален прекъсвач, който отговаря на стандартите и разпоредбите, действащи в страната, в която е инсталиран.
- Оборудването не включва електрически ключ за изключване. Добавете уред за изключване на захранването от окабеляването за закрепване от категория поне OVC III, в съответствие с приложимите национални закони.
- Ако захранващият кабел е повреден, той трябва да бъде заменен само от производителя, упълномощен представител или сервизен център.

ПРЕДУПРЕЖДЕНИЯ ОТНОСНО УРЕДИ, СЪДЪРЖАЩИ ХЛАДИЛЕН АГЕНТ R32



- Този уред съдържа хладилен агент R32, хладилен агент от категория A2L, който се смята за потенциално запалим.
- Не освобождавайте флуид R32 в атмосферата. Той е флуориран парников газ, обхванат от протокола от Киото, с глобален потенциал за отопление (GWP) от 675 (Регламент на ЕС № 517/2014).
- За да се съобразят със съответните стандарти и разпоредби, свързани с околната среда и инсталациите, по-специално с Декрет № 2015-1790 и/или европейски регламент ЕС 517/2014, охлаждащата верига трябва да се проверява за течове при първото пускане на уреда или поне веднъж годишно. Това трябва да се направи от сертифициран специалист по охлаждащо оборудване.
- Инсталирайте устройството на открито. Не инсталирайте уреда на закрито или в затворено, непрветриво помещение.
- Устройството трябва да се съхранява в помещение без източник на искра при постоянна работа (например: открит пламък, газов уред в експлоатация или електрическо отопление в експлоатация).
- За да научите повече, направете справка с инструкциите за безопасност за уреди, съдържащи газ R32, в пълната версия на ръководството, в която са обяснени контролът на зоните на площадката, работната процедура, общата работна зона, проверката за наличие на хладилен агент, проверката за наличие на пожарогасител, липсата на източник на искри, вентилация на зоната, проверка на хладилното оборудване, проверка на електрическите компоненти, ремонт на изолирани компоненти, ремонт на вътрешни компоненти, окабеляване, откриване на запалим хладилен агент, отстраняване и изхвърляне, процедури за зареждане и демонтаж.
- Обърнете внимание, че хладилният агент R32 може да е без мирис.
- Не използвайте никакви средства за ускоряване на процеса на размразяване или за почистване, различни от препоръчаните от производителя.
- Не пробивайте и не изгаряйте.

ИНСТАЛАЦИЯ И ПОДДРЪЖКА

- Само лице, квалифицирано в съответните технически области (електричество, хидравлика или хладилна техника), има право да извършва монтаж, поддръжка или ремонт на уреда.
- Уредът не трябва да се монтира в близост до горими материали или до въздуховодите на съседна сграда.
- При обслужване на уреда проверявайте състава и състоянието на топлоносителната течност, както и дали няма следи от охлаждаща течност.
- По време на годишния тест за херметичност на уреда, в съответствие с действащото законодателство, проверете дали превключвателите за високо и ниско налягане са правилно свързани към охлаждащата верига и дали прекъсват електрическата верига в случай на задействане.
- Когато извършвате дейности по поддръжката, уверете се, че около охлаждащите компоненти няма следи от корозия или масло.
- Преди да започнете работа по охлаждащия кръг, изключете уреда и изчакайте няколко минути, преди да монтирате сензорите за температура и налягане. Някои компоненти, като например компресорът и тръбопроводите, могат да достигнат температури над 100°C и високо налягане, което крие риск от сериозни изгаряния.



ПРЕДУПРЕЖДЕНИЯ



СПЕЦИФИКАЦИИ НА ХЛАДИЛНИЯ АГЕНТ

Управление на зоната

- Преди да започнете работа върху системи, съдържащи запалими хладилни агенти, са необходими проверки за безопасност, за да се гарантира, че рискът от искри е намален.

Работна процедура

- Les travaux doivent être entrepris selon une procédure contrôlée afin de minimiser le risque de présence de gaz ou de vapeurs inflammables pendant l'exécution des travaux.

Обща работна зона

- Персоналът по поддръжката и другите работещи в района трябва да бъдат информирани за естеството на работата, която трябва да се извърши. Трябва да се избягва работа в затворени пространства.

Проверка на наличието на хладилен агент

- Районът трябва да бъде проверен с подходящ детектор за хладилен агент преди и по време на работа, за да се гарантира, че техникът е предупреден за потенциално токсична или запалителна атмосфера. Уверете се, че използваното оборудване за откриване на течове е подходящо за използване с всички приложими хладилни агенти, т.е. не произвежда искри, правилно уплътнено или искробезопасно.

Проверка на наличието на пожарогасител

- Ако по хладилното оборудване или свързаните с него части трябва да се извършва работа, свързана с топлина, трябва да има на разположение подходящо пожарогасително оборудване. В близост до зоната за товарене трябва да има прахов или CO2 пожарогасител.

Без източник на запалване

- Забранено е на всяко лице, което извършва работа по хладилна система, включваща излагане на тръбопроводи, да използва източници на запалване по начин, който може да доведе до опасност от пожар или експлозия. Всички възможни източници на запалване, включително цигари, трябва да се държат на достатъчно разстояние от мястото на инсталиране, ремонт, отстраняване и изхвърляне, където хладилният агент може да се освободи в околното пространство. Преди началото на работата зоната около оборудването трябва да се провери, за да се гарантира, че няма опасност от запалване или възпламеняване. Трябва да бъдат поставени табели „Пушенето е забранено“.

Зона с вентилация

- Преди да влезете в уреда по какъвто и да е начин, за да извършите поддръжка, се уверете, че мястото е отворено и добре проветрено. По време на обслужването на уреда трябва да се поддържа подходяща вентилация, за да се осигури безопасно разпръскване на хладилния агент, който може да бъде изпуснат по невнимание в атмосферата.

ИНФОРМАЦИЯ ЗА ПРОДУКТИТЕ СЪС СВЪРЗАНОСТ (в съответствие с директивата RED)

Декларация за съответствие

С настоящото Zodiac декларира, че радиооборудването от серията PX25 е в съответствие с Директива 2014/53/ЕС.

Пълният текст на Европейската декларация за съответствие е достъпен на следния адрес: <https://www.zodiac-poolcare.com/>.

1 Инсталация на уреда

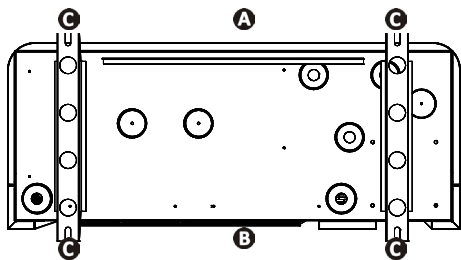


1
Инсталация



- Уредът трябва да се монтира на открито, на най-малко 2 метра от ръба на басейна.

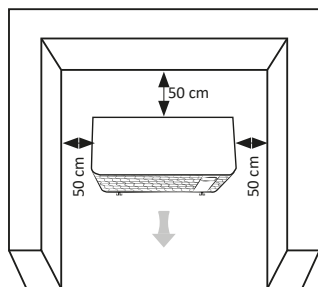
Поставете уреда върху антивибрационните му стойки (доставени с уреда) върху стабилна, твърда и равна повърхност.



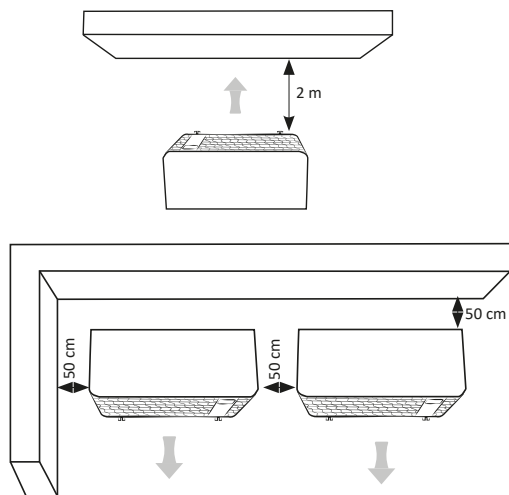
- A**: Напред
- B**: Назад
- C**: Антивибрационни
подложки

Изглед на основата на уреда отдолу за монтиране на антивибрационните опори

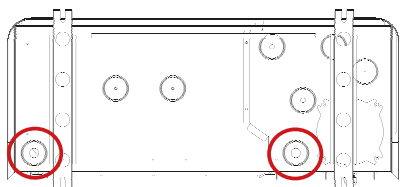
Избор на местоположение



Минимални разстояния



Източване на кондензат: Повдигнете уреда с поне 10 см, като използвате антивибрационните подложки, и монтирайте двете тръби за източване на конденза в отворите под основата на уреда.



Вижте онлайн ръководството за подробности относно предпазните мерки за монтаж и хидравличните връзки.



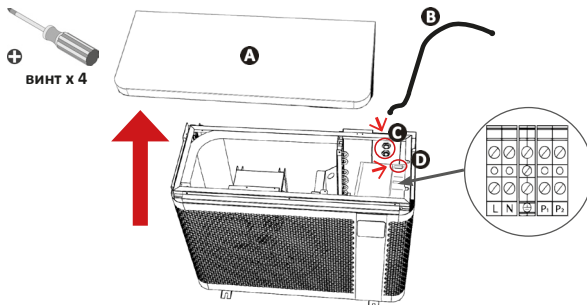
- Изключете електрозахранването, преди да извършвате каквито и да било дейности в уреда (опасност от токов удар). Източникът на захранване трябва да бъде изваден по такъв начин, че винаги да можете да проверите от всяка точка, до която имате достъп, дали източникът на захранване е изваден. Ако това не е възможно, трябва да осигурите изключване със система за заключване.



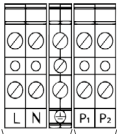
- Само квалифициран и опитен техник е упълномощен да извършва монтажни работи по уреда или да подменя захранващия кабел.
- Уверете се, че винтовете на клемите са напълно затегнати (опасност от пожар). Разхлабените винтове на клемите водят до анулиране на гаранцията.
- Не прекъсвайте захранването, докато уредът работи. Ако захранването е прекъснато, изчакайте една минута, преди да възстановите захранването.

Свържете устройството към захранването и аксесоарите

Отворете и сваляте горния панел **A** с помощта на отвертка (4 винта), за да получите достъп до блока с електрически клемми. **B** Вкарайте захранващия кабел в един от кабелните канали **C** в задната част на уреда. В уреда закрепете захранващия кабел, като го вкарате през кабелната връзка **D**.

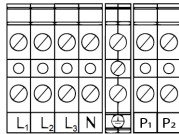


Свържете захранващия кабел към клемния блок във вътрешността на уреда, както следва.



Връзка със захранване

Свързване на опции (помпа за филтрация, захранващо реле).



Връзка със захранване

Свързване на опции (помпа за филтрация, захранващо реле).

L: Напрежение

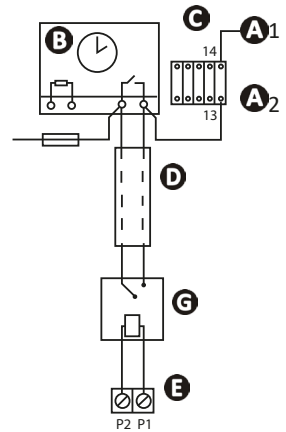
N: Неутрален

⊥: Земя

Клемни блокове за еднофазно захранване

Клемни блокове за трифазно захранване

Свързване на приоритета на отоплението



A1 - A2: Захранване на контакторната бобина на захранващата филтрационната помпа

B: Часовник за филтрация

C: Контактор (двуполусен) за филтрационната помпа

D: Отделен кабел за функцията „приоритет на отоплението“ (не се доставя)

E: Клемен блок на отоплителна помпа

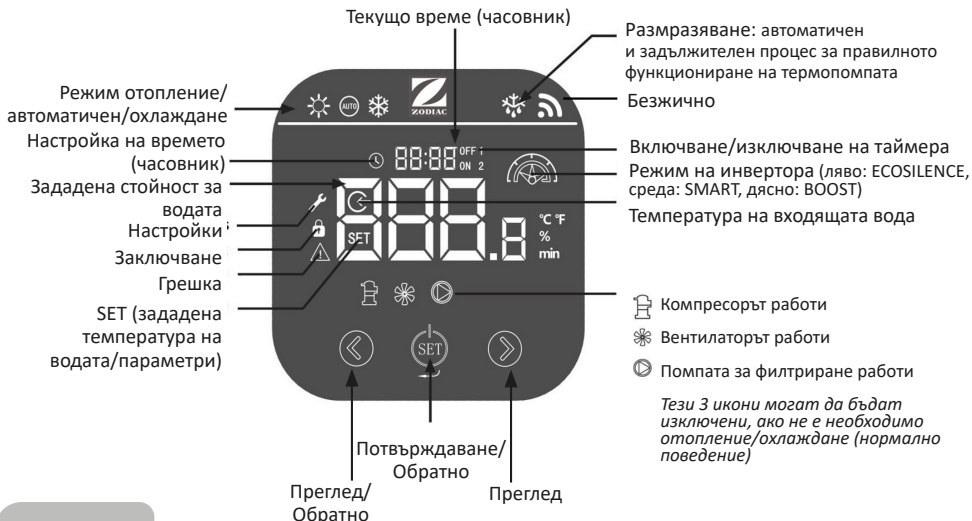
F: Предпазител

G: Реле със сух контакт/230 V (не се доставя)

Окабеляване и защита на кабели

Модел	Захранване	Максимален ток	Диаметър на кабела*	Термична магнитна защита (крива D)
MD3	220 - 240 V 1 фаза 50-60 Hz	8	RO2V 3x2,5 mm ²	16 A
MD4		9		16 A
MD5		13		16 A
MD6		16		20 A
MD8		19		20 A
MD9		20		25 A
MD12		30	RO2V 3x6 mm ²	32 A
TD8	380 - 400 V 3 фаза 50-60 Hz	8	RO2V 5x2,5 mm ²	10 A
TD9		9		10 A
TD12		12		RO2V 5x4 mm ²

* Сечението на кабела е подходящо за кабели с дължина до 20 метра. За по-големи дължини се консултирайте с електротехник.



Икони

Режим		Описание
	Нагревател	ECOSILENCE Работа с ниска консумация на енергия за по-голяма икономия на енергия и минимален шум. Идеален за поддържане на температурата, когато температурата на външния въздух е висока.
		SMART Автоматично регулира мощността при необходимост. Превключва автоматично между режимите ECOSILENCE и BOOST.
		BOOST Работа с максимална мощност за бързо нагряване. Идеален в началото на сезона за повишаване или поддържане на температурата, когато външният въздух е студен.
	Отопление/охлаждане (препоръчителен режим)	SMART Термopомпата автоматично избира най-подходящия режим на работа в зависимост от зададената температура.
SMART Автоматично регулира мощността при необходимост. Превключва автоматично между режимите ECOSILENCE и BOOST.		
BOOST Охлажда басейна с максимална мощност за бързо охлаждане.		



Заклучване/ отключване на клавиатурата



3 секунди



Настройка на часовника



Натиснете 2 пъти.



примигване.



Натиснете, за да зададете
часовете



Натиснете, за да промените.



Натиснете, за да потвърдите.
Натиснете отново SET, за да
зададете минутите.



Натиснете 1 сек, за да
потвърдите и да се върнете към
главния екран.



Задаване на зададената температура



Отключване на клавиатурата
(3 сек)

Проверете дали
компресорът работи:
появява се иконата за
режим на работа.



Променете температурата.
Иконата за режим на
работа мига.

**Препоръчителна
температура: 28°C**



Избор на режими на работа

Термопомпата има
4 режими на работа за
отопление/охлаждане, за
да адаптира работната си
скорост към необходимата
мощност и избрания режим:

- Режим „BOOST“
- Режим „SMART“
- Режим „ECOSILENCE“
- Режим „Автоматичен“
(препоръчителен)



Отключване на клавиатурата
(3 сек). След това натиснете
SET.

Появява се индикаторът



Прегледайте наличните
режими.



Натиснете, за да
потвърдите.
Натиснете за 2 секунди, за
да стартирате.



Деактивиране на термопомпата



Отключване на
клавиатурата (3 сек).



Натиснете за 2 секунди.
Помпата спира след
няколко минути.



Иконата изчезва, когато
компресорът не работи.



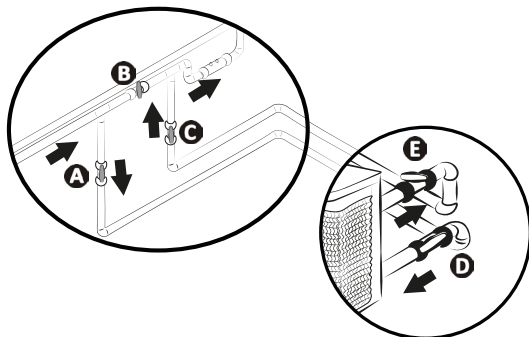
Натиснете за 2 секунди,
за да включите отново
компресора.




Подробности за режимите на работа
и таймерите ще намерите в онлайн
ръководството.



Отворете хидравличната верига

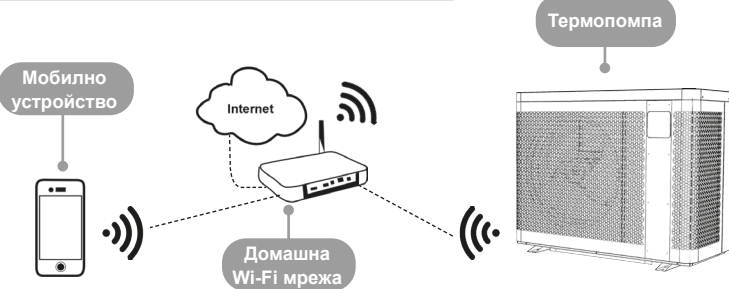


ВНИМАНИЕ: Неправилната настройка на байпаса може да доведе до неправилно функциониране на термопомпата.

- Затворете постепенно клапан В.
- Отворете напълно вентилите А, С и D. Отворете вентил Е наполовина (въздухът, натрупан във веригата на кондензатора и филтъра, ще бъде изпуснат). Ако няма клапани D и Е, отворете напълно клапан А и затворете наполовина клапан С.
- Свържете електрозахранването към термопомпата.
- Ако термопомпата е в режим на готовност, натиснете  за 3 секунди: Настройка на часовника и избор на режим на работа.
- Задайте желаната температура.



Свържете се с приложението Fluidra Pool



Термопомпата може да се управлява дистанционно от смартфон или таблет чрез приложението Fluidra Pool, достъпно за системи iOS и Android. Преди да се свържете с приложението Fluidra Pool, се уверете, че:

- Използвайте смартфон или таблет с Wi-Fi.
- Когато се свързвате с термопомпата, използвайте Wi-Fi мрежа с достатъчно силен сигнал: Wi-Fi сигналът трябва да може да бъде открит там, където се използва уреда. В противен случай трябва да се осигури техническо решение за усилване на съществуващия сигнал.
- Бъдете близо до уреда и подгответе паролата за домашната си Wi-Fi мрежа.

Изтегляне на приложението Fluidra Pool (QR код на гърба на устройството)



„SET“ (Изкл.) мига.

Отворете приложението и следвайте стъпките, описани в приложението, за да добавите термопомпата.



Зазимяване



Натиснете и задръжте 2s, за да изключите уреда

Изключете захранването от електрическата мрежа за поне 3 минути

Отворете клапан В. Затворете клапаните А и С и отворете клапаните D и E (ако е приложимо)

Източете водата от кондензатора, за да избегнете опасността от замръзване

Поставяне на зимното покритие

- Ако басейнът е напълно зазимен (филтриращата система е напълно спряна, филтрационната верига е източена или басейнът е изпразнен): сглобете отново двата конектора със завъртане, за да предотвратите навлизането на чужди тела в кондензатора.
- Ако само термопомпата трябва да се зазими (спиране само отопление, филтрацията продължава да работи): не затягайте връзките, а добавете 2 тапи (доставени в комплекта) към входа и изхода на кондензаторната вода.
- Поставете зимното покритие (в комплекта) върху термопомпата, като прекарате хидравличните връзки през предвидения отвор. Не е необходимо да изключвате хидравличните и електрическите връзки.



- Зазимяването е от съществено значение, за да се предотврати повреда на кондензатора поради замръзване (замръзване без зазимяване не се покрива от гаранцията).
- За да избегнете повреждане на уреда поради конденз, не го покривайте изцяло, а използвайте предоставеното зимно покритие.



Поддръжка

- Проверете дали вентилационната решетка не е блокирана от чужди предмети.
- Почистете изпарителя с мека четка и прясна струя вода (изключете захранващия кабел).
- Почистете тръбата за източване на кондензат, за да отстраните всички замърсявания, които могат да я блокират.
- Уверете се, че вентилационната решетка на разпределителната кутия е чиста.
- Не използвайте струя с високо налягане. Не пръскайте с дъждовна вода, солена вода или вода, съдържаща минерали.
- Почистете външната част на уреда; не използвайте продукти на основата на разтворители. Можете да използвате специален комплект за почистване като аксесоар: PAC NET.




- Не прекъсвайте захранването, докато уредът работи. Ако електрозахранването е прекъснато, изчакайте една минута, преди да възстановите захранването на уреда.
- Преди всякаква поддръжка, отстраняване на неизправности или ремонт препоръчваме да деактивирате Wi-Fi връзката на модема, за да избегнете всякакъв риск от дистанционно управление на уреда.
- Препоръчително е да се извършва обща поддръжка на уреда поне веднъж годишно, за да се гарантира правилното му функциониране, да се поддържат нивата на производителност и евентуално да се предотвратят някои повреди. Тези операции ще бъдат извършени от техническо лице за сметка на потребителя.







Вижте онлайн ръководството за повече подробности относно инструкциите за безопасност, свързани с хладилния агент R32, и относно задачите за поддръжка, които трябва да се извършват от квалифициран техник.



- Преди да се свържете с търговеца, извършете няколко прости проверки в случай на проблем. Ако проблемът остане нерешен, свържете се с Вашия търговец.
-  : Работата трябва да се извършва само от квалифициран техник.

Поведение на уреда

Уредът не започва да се нагрява веднага	<ul style="list-style-type: none"> • Когато дебитът на водата е нулев или недостатъчен, уредът спира: проверете дали водата тече правилно през уреда и дали хидравличните връзки са правилни. • Уредът спира да работи, когато външната температура падне под -7°C.
Уредът изхвърля вода	<ul style="list-style-type: none"> • За да проверите дали водата не идва от теч във веригата на басейна на уреда, изключете го и пуснете филтрационната помпа, за да циркулира водата в уреда. Ако през тръбите за отвеждане на кондензат продължава да тече вода, в уреда има теч на вода: свържете се с Вашия търговец.
Изпарителят е замръзнал	<ul style="list-style-type: none"> • Скоро уредът ще премине през цикъла на размразяване, за да разтопи леда. • Ако уредът не успее да размрази изпарителя си, той ще спре от само себе си; това означава, че външната температура е твърде ниска (под -7°C).
Уредът „пуши“	<ul style="list-style-type: none"> • Ако уредът не е в цикъл на размразяване, това не е нормално. Незабавно изключете и извадете уреда от електрическата мрежа и се свържете с Вашия търговец.
Уредът не работи	<ul style="list-style-type: none"> •  Ако няма дисплей, проверете захранващото напрежение и предпазителя F1. • Когато дебитът на водата е нулев или недостатъчен, уредът спира: проверете дали водата тече правилно през уреда.
Вентилаторът работи, но компресорът спира от време на време без съобщение за грешка.	<ul style="list-style-type: none"> • Ако външната температура е ниска, уредът извършва цикли на размразяване. • Уредът не може да улавя достатъчно топлина, защото изпарителят му е замърсен. Почистете го, за да възстановите работата му.
Уредът работи, но температурата на водата не се повишава	<ul style="list-style-type: none"> • Режимът на работа не е достатъчно мощен. Превключете на режим „BOOST“ и настройте филтрирането на 24/24 ръчно, така че температурата да се повиши. • Проверете дали клапанът за автоматично пълнене не е блокиран в отворено положение; той продължава да подава студена вода към басейна и предотвратява повишаването на температурата. • Губи се твърде много топлина, защото въздухът е хладен. Монтирайте топлоизолиращо покритие върху басейна. • Уредът не може да улавя достатъчно топлина, защото изпарителят му е замърсен. Почистете го, за да възстановите работата му. •  Проверете дали размерът на уреда е подходящ за басейна и заобикалящата го среда.
Уредът задейства прекъсвача	<ul style="list-style-type: none"> •  Проверете дали прекъсвачът е правилно оразмерен и дали е използвано правилното сечение на кабела. •  Захранващото напрежение е твърде ниско; свържете се с доставчика на електроенергия.



За подробности относно показването на кодовете за грешки и схемите на свързване вижте онлайн ръководството.



Производителност: въздух при 26°C / вода при 26°C / влажност на въздуха 80%.

		MD3	MD4	MD5	MD6	MD8
Възстановена мощност (макс.-мин. скорост)	kW	7,0-2	9,5-2,3	13,0-2,4	15,0-2,5	19,0-7,5
Консумация на енергия (макс.-мин. скорост)	kW	1,1-0,15	1,4-0,2	2,0-0,1	2,5-0,15	3,5-0,6
Среден КПД (макс.-мин. скорост)		6,5-13,4	6,7-13,5	6,5-16,4	6,0-16,3	5,6-12,5
		MD9	MD12	TD8	TD9	TD12
Възстановена мощност (макс.-мин. скорост)	kW	24,0-6,7	31,0-9,2	19,0-7,5	24,0-6,7	31,0-9,2
Консумация на енергия (макс.-мин. скорост)	kW	4,5-0,5	5,6-0,7	3,5-0,6	4,5-0,5	5,6-0,7
Среден КПД (макс.-мин. скорост)		5,4-13,7	5,4-13,2	5,6-12,5	5,4-13,7	5,4-13,2

Технически спецификации

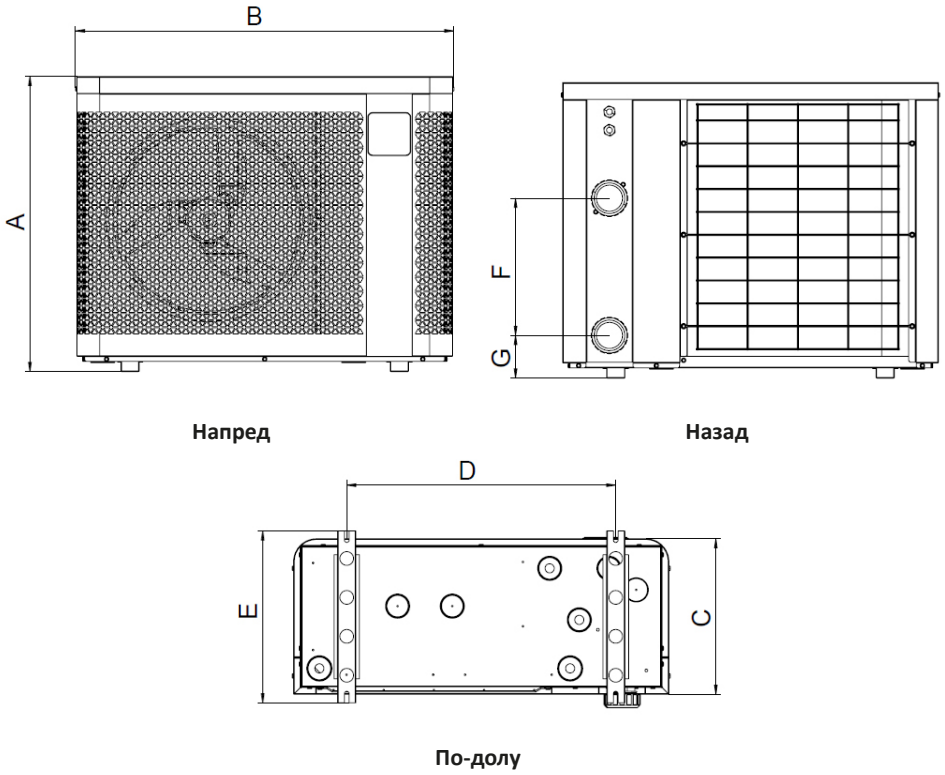
Работна температура	Въздух	от -7 до 43 °C
	Вода	В режим „Отопление“: 15 до 40°C В режим „Охлаждане“: 8 до 28°C
Работно налягане	Хладилен агент	0,5 до 42 бара (0,05 до 4,2 MPa)
	Вода	0 до 2 бара (0 до 0,2 MPa)
Захранване		220-240 V / 1 фаза / 50-60 Hz 380-400 V / 3 фази / 50-60 Hz (само TD8, TD9, TD12)
Допустима промяна на напрежението		± 6 % (по време на работа)
Хидравлични връзки		2 x фитинги от PVC, 1/ 2 съединения Ø 50
Вид на охлаждащата течност		R32
Знак за защита		IPX4
Честотни ленти	GHz	2,400-2,497
Радиочестотна предавателна мощност	dBm	+19,5
Място на инсталиране		външно

Технически спецификации

		MD3	MD4	MD5	MD6	MD8
Номинален абсорбиран ток	A	4,7	6	8,4	10,7	14
Максимална абсорбирана интензивност	A	8	9	13	16	19
Минимално напречно сечение на кабела*	mm ²	3 x 2,5			3 x 4	
Акустична мощност (макс.-мин.)	dB(A)	62-50	65-52		67-54	69
Акустично налягане на 10 m (макс.-мин.)	dB(A)	31-19	34-21		36-23	38
Препоръчителен дебит на водата	m ³ /h	3	4	5	6	7
Зареждане с хладилен агент	kg	0,3	0,45	0,6	0,7	1,0
	Еквивалент Тон CO2	0,20	0,30	0,41	0,47	0,68
Приблизително тегло	kg	42,5	44,5	49,5	56	70
		MD9	MD12	TD8	TD9	TD12
Номинален абсорбиран ток	A	15,3	23	5,2	7,4	9,6
Максимална абсорбирана интензивност	A	20	30	8	9	12
Минимално напречно сечение на кабела*	mm ²	3 x 4	3 x 6	5 x 2.5		5 x 4
Акустична мощност (макс.-мин.)	dB(A)	71	74	69	71	74
Акустично налягане на 10 m (макс.-мин.)	dB(A)	40	43	38	40	43
Препоръчителен дебит на водата	m ³ /h	8	11	7	8	11
Зареждане с хладилен агент	kg	1,25	1,55	1,0	1,25	1,55
	Еквивалент Тон CO2	0,84	1,05	0,68	0,84	1,05
Приблизително тегло	kg	88,5	107	73,5	92	103

* Стойностите са дадени като индикация за максимална дължина от 20 метра (база за изчисление: NFC15-100), трябва да бъдат проверени и адаптирани към условията на инсталацията и към стандартите на страната на инсталиране.

Размеры



	A	B	C	D	E	F	G
MD3	646	823	339,5	590	375	300	93
MD4						260	103
MD5		906		593		330	
MD6	746	1103	359	790	395	350	93
MD8						367	
MD9						367	
MD12	846	1133	509,5	743	545	430	
TD8						430	
TD9						430	
TD12							



UPOZORNĚNÍ



Tato příručka obsahuje pouze základní informace o bezpečnostních opatřeních, která je třeba dodržovat při instalaci, údržbě a uvádění do provozu. Kompletní příručku si můžete přečíst a stáhnout jako soubor PDF z webových stránek: www.zodiac.com. Veškeré montážní, elektroinstalační a údržbařské práce musí provádět kvalifikovaní a oprávnění pracovníci, kteří si pečlivě přečetli tuto příručku. Vyhrazuje se, že právo zcela nebo zčásti měnit vlastnosti našich produktů nebo obsah tohoto dokumentu bez předchozího upozornění.



! OBECNÁ UPOZORNĚNÍ

- Zařízení je určeno pro konkrétní použití v bazénech a vířivkách a nesmí být použito k žádným jiným účelům, než pro které bylo navrženo.
- Nedodržení těchto upozornění může způsobit vážné poškození zařízení bazénu či závažná nebo dokonce smrtelná zranění.
- Toto zařízení nesmějí používat osoby (včetně dětí) se sníženými fyzickými, smyslovými či duševními schopnostmi nebo bez patřičných zkušeností a znalostí, pokud osoba odpovědná za jejich bezpečnost nezajistí jejich dohled a neseznámí je s pokyny pro používání zařízení. Dohlédněte na děti, aby si se zařízením nehrály.
- Toto zařízení mohou používat děti starší 8 let; osoby se sníženými fyzickými, smyslovými či duševními schopnostmi nebo bez patřičných zkušeností a znalostí mohou zařízení používat pouze tehdy, pokud je nad nimi prováděn náležitý dohled anebo byly poučeny o jeho bezpečném používání a chápou související rizika. Děti si nesmějí se zařízením hrát. Čištění a uživatelskou údržbu nesmějí provádět děti bez dozoru.
- Zařízení musí být instalováno v souladu s pokyny výrobce a v souladu s platnými místními a vnitrostátními předpisy.
- Naše produkty lze montovat a instalovat pouze do bazénů, které jsou v souladu s normami IEC/HD 60364-7-702 a náležitými vnitrostátními předpisy. Instalace musí být v souladu s normou IEC/HD 60364-7-702 a náležitými vnitrostátními předpisy pro bazény. Další informace získáte u svého místního prodejce.

! UPOZORNĚNÍ TÝKAJÍCÍ SE ELEKTRICKÝCH ZAŘÍZENÍ

- Elektrické napájení zařízení musí být chráněno proudovým chráničem 30 mA v souladu s normami a právními předpisy platnými v zemi instalace.
- Zařízení neobsahuje elektrický vypínač pro odpojení. Přidejte zařízení s kategorií přepětí OVC nejméně III do pevného kabelového vedení podle platných vnitrostátních předpisů.
- Pokud je poškozen napájecí kabel, musí být vyměněn pouze výrobcem, autorizovaným zástupcem nebo opravárenskou dílnou.

! UPOZORNĚNÍ PRO ZAŘÍZENÍ OBSAHUJÍCÍ CHLADIVO R32



- Toto zařízení obsahuje chladivo R32, což je chladivo třídy A2L, které je považováno za potenciálně hořlavé.
- Kapalinu R32 nepouštějte do ovzduší. Jedná se o fluorový plyn se skleníkovým efektem, zahrnutý v Kjótském protokolu, s potenciálem globálního oteplování (GWP) 675 (evropský předpis EU 517/2014).
- Při uvedení do provozu, a poté vždy jednou ročně, je nutné provést kontrolu chladivého okruhu, zda z něj neuniká chladivo, což je v souladu s příslušnými normami a předpisy týkajícími se ochrany životního prostředí a instalace, zejména s rozhodnutím č. 2015-1790 a/nebo s evropským předpisem EU 517/2014. Tuto operaci musí provést certifikovaný odborník na chladicí zařízení.
- Přístroj nainstalujte venku. Přístroj nainstalujte v interiéru ani v uzavřeném nevětraném prostoru.
- Spotřebič musí být uložen v místnosti bez trvale fungujícího zdroje jisker (např. u otevřeného ohně, fungujícího plynového spotřebiče nebo elektrického topení).
- Další informace naleznete v bezpečnostních pokynech pro spotřebiče obsahující plyn R32 v plné verzi příručky, kde je vysvětlena kontrola prostorů místa montáže, pracovní postup, obecný pracovní prostor, kontrola přítomnosti chladiva, kontrola přítomnosti hasičích přístrojů, nepřítomnost zdroje jisker, větrání prostoru, kontrolu chladivého zařízení, kontrolu elektrických součástí, oprava izolovaných součástí, oprava vnitřních součástí, zapojení, zjišťování hořlavého chladiva, demontáž a likvidace, postupy nabíjení a demontáž.
- Upozorňujeme, že chladivo R32 může být bez zápachu.
- Nepoužívejte žádné jiné prostředky k urychlení procesu odmrzování nebo k čištění než ty, které doporučuje výrobce.
- Nepropichujte ani nespalujte.

! INSTALACE A ÚDRŽBA

- Instalaci, údržbu nebo opravu zařízení smí provádět pouze osoba kvalifikovaná v příslušných technických oborech (elektrotechnika, hydraulika nebo chlazení).
- Zařízení nesmí být instalováno do blízkosti hořlavých materiálů nebo blízkosti vstupu vzduchového potrubí sousední budovy.
- Při provádění údržby zařízení zkontrolujte složení a stav teplotnosného média a také nepřítomnost stop chladiva.
- Během roční kontroly těsnosti zařízení v souladu s platnými zákony ověřte, zda jsou presostaty vysokého a nízkého tlaku správně připojené k chladivému okruhu a zda přeruší elektrický obvod v případě jejich aktivování.
- Při provádění údržby se ujistěte, zda se kolem chladicích součástí nenacházejí stopy koroze nebo skvrny oleje.
- Než začnete provádět práce na chladivém okruhu, zařízení vypněte, několik minut počkejte a poté teprve instalujte teplotní a tlaková čidla. Některé součásti, například kompresor a potrubí, mohou dosahovat teplot vyšších než 100 °C a může v nich být vysoký tlak, což může způsobit vznik vážných popálenin.



UPOZORNĚNÍ



SPECIFIKACE CHLADIVA

Kontrola prostoru

- Před zahájením prací na systémech obsahujících hořlavá chladiva je nutné provést bezpečnostní kontroly, aby se snížilo riziko jiskření.

Pracovní postup

- Práce je nutné provádět podle řízeného postupu, aby se při jejich provádění snížilo riziko přítomnosti plynu nebo hořlavých par.

Obecný pracovní prostor

- Pracovníci údržby a ostatní osoby pracující v daném prostoru musí být informováni o druhu prováděných prací. Je třeba se vyhnout pracím v uzavřených prostorech.

Kontrola přítomnosti chladiva

- Před zahájením prací a během nich musí být prostor zkontrolován vhodným detektorem chladiva, aby byl technik varován před potenciálně toxickým nebo hořlavým prostředím. Ověřte, zda zařízení používané pro detekci úniků je možné použít u všech použitých chladiv, tzn. že nemůže způsobit vznícení, je řádně izolované nebo zcela bezpečné.

Kontrola přítomnosti hasicího přístroje

- Pokud je nezbytné na chladicím zařízení nebo na přidruženém dílu provádět práce při určité teplotě, je nutné mít v dosahu vhodné hasicí zařízení. V blízkosti nakládacího prostoru musí být k dispozici práškový hasicí přístroj nebo hasicí přístroj CO₂.

Nepřítomnost zdroje zapálení

- Osobám provádějícím práce na chladicím systému, které se týkají potrubí, je zakázáno používat zdroje zapálení způsobem, který by mohl vést k nebezpečí požáru nebo výbuchu. Jakmile může být chladivo potenciálně uvolněno do okolního prostoru, je nutné veškeré potenciální zdroje zapálení, zejména cigarety, udržovat v dostatečné vzdálenosti od místa, kde se provádí instalace, oprava, odsávání a likvidace. Před zahájením prací je nutné zkontrolovat prostor kolem zařízení, aby bylo vyloučeno riziko hořlavosti nebo zapálení. Umístěte značky „Zákaz kouření“.

Větrání prostoru

- Před prováděním jakékoliv údržby jednotky zkontrolujte, zda je prostor otevřený a dobře větraný. Při údržbě jednotky musí být zajištěno dostatečné větrání, které umožní bezpečné rozptýlení chladiva, které by se mohlo nedopatřením uvolnit do ovzduší.

INFORMACE O PRODUKTECH S KONEKTIVITOU (podle směrnice RED)

Prohlášení o shodě

Společnost Zodiac tímto prohlašuje, že rádiové zařízení řady PX25 je v souladu se směrnicí 2014/53/EU. Úplné znění EU prohlášení o shodě je k dispozici na adrese: <https://www.zodiac-poolcare.com/>.

1 Instalace zařízení

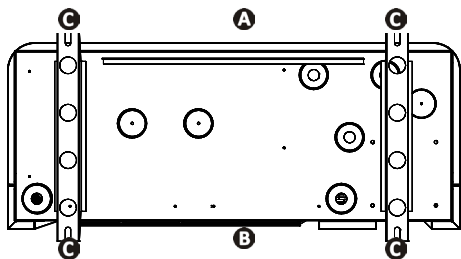


1 Instalace



- Spotřebič musí být instalován venku, nejméně 2 metry od okraje bazénu.

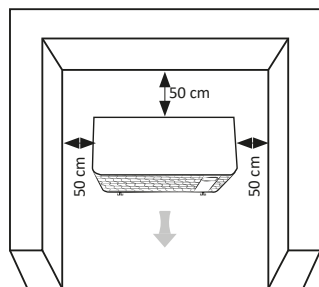
Umístěte spotřebič na antivibrační držáky (dodávané se spotřebičem) na stabilní, pevný a rovný povrch.



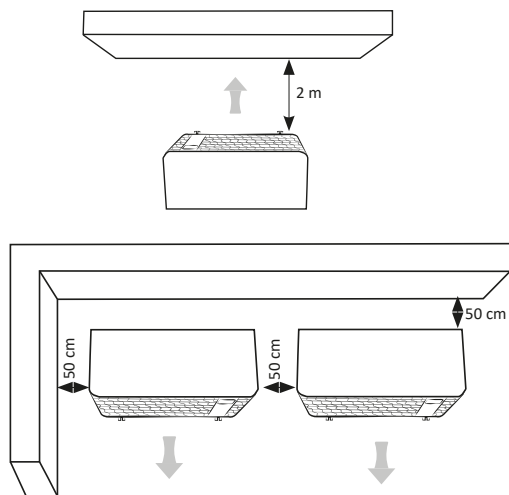
- A**: Dopředu
- B**: Dozadu
- C**: Antivibrační držáky

Pohled na podstavec zařízení zdola za účelem instalace antivibračních držáků

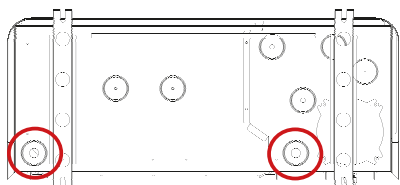
Výběr místa



Minimální vzdálenost



Vypusťte kondenzát: Pomocí antivibračních podložek zvedněte spotřebič alespoň o 10 cm a namontujte obě trubky pro odvod kondenzátu do otvorů umístěných pod základnou spotřebiče.



Další podrobnosti o bezpečnostních opatřeních při instalaci a hydraulických připojeních naleznete v online příručce.

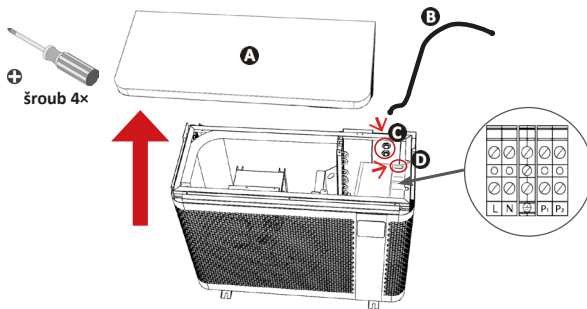


- Před jakýmkoli zásahem uvnitř zařízení odpojte elektrické napájení (nebezpečí úrazu elektrickým proudem). Elektrické napájení musí být odpojeno takovým způsobem, abyste mohli kdykoli z jakéhokoli přístupného místa zkontrolovat, že je elektrické napájení přerušeno. Pokud to není možné, musíte zajistit odpojení pomocí uzamykacího systému.
- Provést elektroinstalaci zařízení nebo vyměnit napájecí kabel je oprávněn pouze kvalifikovaný a zkušený technik.
- Ujistěte se, že jsou šrouby svorek řádně utažené (riziko požáru). Nesprávně utažené šrouby svorky mají za následek zánik záruky.
- Nevyplínejte napájení elektrickou energií, když je zařízení v chodu. Pokud dojde k přerušení dodávek elektrické energie, počkejte minutu, než opět zapnete přívod proudu.

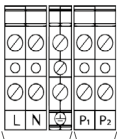


Připojení jednotky k elektrickému napájení a k příslušenstvím

Otevřete a sejměte horní panel **A** pomocí šroubováku (4 šrouby), abyste získali přístup k bloku elektrických svorek. **B** Vložte napájecí kabel do jedné z kabelových vývodů **C** na zadní straně jednotky. Ve spotřebiči zajistěte napájecí kabel tím, že jej prostrčíte stahovacími páskami **D**.

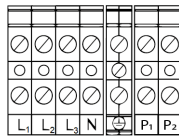


Připojte napájecí kabel do svorkovnice uvnitř zařízení následujícím způsobem.



Připojení k elektrickému napájení

Připojení volitelného příslušenství (filtrační čerpadlo, napájecí relé).



Připojení k elektrickému napájení

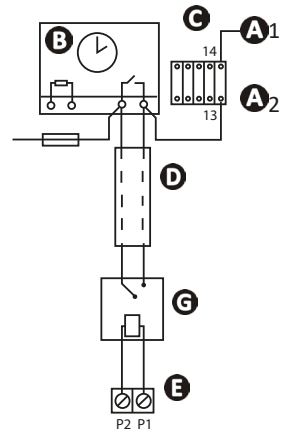
Připojení volitelného příslušenství (filtrační čerpadlo, napájecí relé).

L: Napětí
N: Nulový
⏏ Uzemnění

Svorkovnice pro jednofázové napájení

Svorkovnice pro třífázové napájení

Připojení priority ohřevu



A1 – A2: Napájení cívký stykače filtračního čerpadla

B: Časovač filtrace

C: Stykač (dvupólový) pro filtrační čerpadlo

D: Samostatný kabel pro funkci „priority vytápění“ (není součástí dodávky)

E: Svorkovnice topného čerpadla

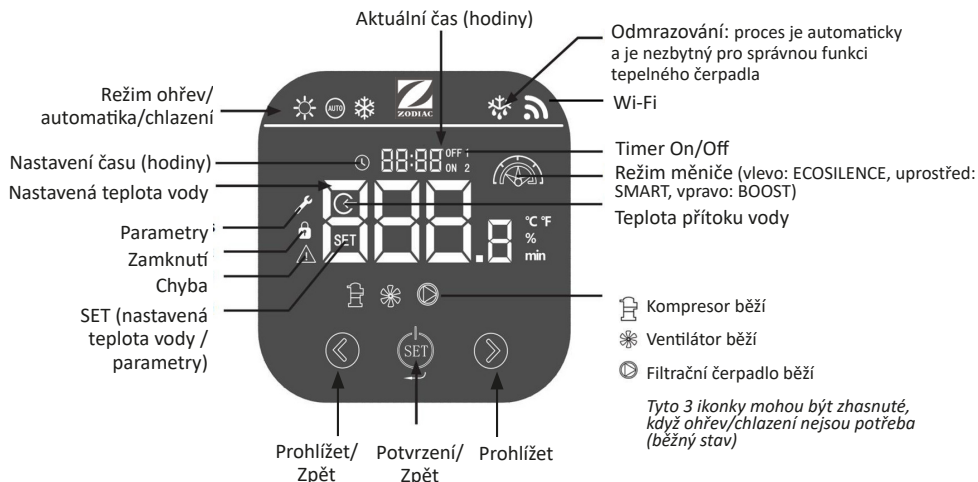
F: Pojistka

G: Bezkontaktní relé/230 V (není součástí dodávky)

Kabelové vedení a ochrana kabelů

Model	Elektrické napájení	Max. proud	Průměr kabelu*	Tepelná magnetická ochrana (křivka D)
MD3	220-240 V 1 fáze 50-60 Hz	8	RO2V 3x2,5 mm ²	16 A
MD4		9		16 A
MD5		13		16 A
MD6		16		20 A
MD8		19		20 A
MD9		20		25 A
MD12		30	RO2V 3x6 mm ²	32 A
TD8	380-400 V 3 fáze 50-60 Hz	8	RO2V 5x2,5 mm ²	10 A
TD9		9		10 A
TD12		12		RO2V 5x4 mm ²

* Průřez kabelu vhodný pro kabely do 20 metrů. V případě delších kabelů se poraďte s elektrikářem.



Ikony

Režim		Popis
	Ohřev	ECOSILENCE Funkce se sníženým výkonem pro větší úsporu energie a pro minimální hladinu hluku. Ideální pro udržování teploty, když je teplota venkovního vzduchu zvýšená.
		SMART Automatické nastavení výkonu podle potřeby. Automaticky přepíná mezi režimy ECOSILENCE a BOOST.
		BOOST Funkce na maximální výkon pro rychlý ohřev. Ideální na začátku sezóny pro zvýšení nebo udržování teploty, když je venkovní vzduch studený.
	Ohřev / Chlazení (doporučený režim)	SMART Tepelné čerpadlo si automaticky vybere nejvhodnější provozní režim podle nastavené teploty.
	Chlazení	ECOSILENCE Chlazení bazény se sníženým výkonem pro větší úsporu energie a pro minimální hladinu hluku.
		SMART Automatické nastavení výkonu podle potřeby. Automaticky přepíná mezi režimy ECOSILENCE a BOOST.
		BOOST Chlazení bazény na maximální výkon pro rychlé ochlazení.



Zamknutí/ Odemknutí klávesnice



3 sekundy



Nastavení hodin



Stiskněte 2krát.



bliká.



Stisknutím nastavíte
hodiny



Stiskněte pro změnu



Stiskněte tlačítko pro potvrzení.
Opětovným stisknutím tlačítka
SET nastavíte minuty.



Stisknutím tlačítka 1 s potvrďte
a vraťte se na hlavní obrazovku.



Nastavení požadované teploty



Odemknutí klávesnice (3 s)

Zkontrolujte, zda
kompresor funguje:

Zobrazí se ikona provozního
režimu.



Změňte teplotu. Ikona
provozního režimu bliká.

Doporučená teplota: 28 °C



Výběr provozních režimů

Tepelné čerpadlo má
4 provozní režimy vytápění/
chlazení, které přizpůsobují
jeho provozní rychlost
požadovanému výkonu
a zvolenému režimu:

- Režim „BOOST“
- Režim „SMART“
- Režim „ECOSILENCE“
- Režim „Auto“ (doporučený)



Odemkněte klávesnici (3 s).

Poté stiskněte tlačítko SET.

Zobrazí se indikátor .



Projděte si dostupné režimy.



Stiskněte tlačítko pro
potvrzení.
Stisknutím na 2 sekundy
spustíte.



Deaktivace tepelného čerpadla



Odemkněte klávesnici
(3 s).



Stiskněte tlačítko na
2 sekundy. Čerpadlo se po
několika minutách zastaví.



Ikona zmizí, když
kompresor není v provozu.



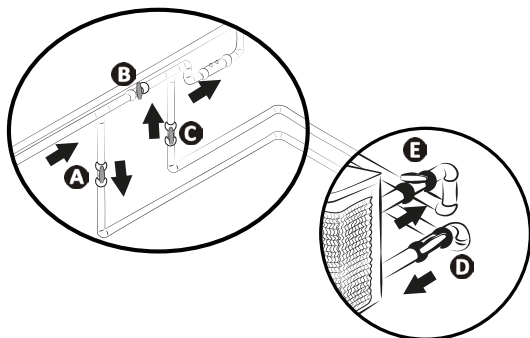
Stisknutím tlačítka na
2 sekundy kompresor opět
zapnete.




Podrobnosti o provozních režimech
a časovačích najdete v online příručce.



Otevření hydraulického okruhu

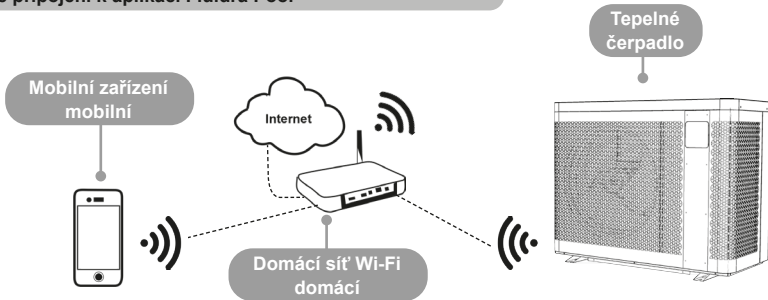


UPOZORNĚNÍ: nesprávné nastavení obtoku může způsobit poruchu tepelného čerpadla.

- Postupně zavírejte ventil B.
- Zcela otevřete kohouty A, C a D. Dále otevřete kohout E na polovinu (vzduch nahromaděný v kondenzátoru a v okruhu filtrace bude odcházet). Pokud nejsou kohouty D a E instalovány, otevřete zcela kohout A a přivřete kohout C na polovinu.
- Připojte elektrické napájení k tepelnému čerpadlu.
- Pokud je tepelné čerpadlo v pohotovostním režimu, stiskněte  po dobu 3 sekund: Nastavte hodiny a zvolte provozní režim.
- Nastavte požadovanou teplotu.



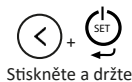
Jste připojeni k aplikaci Fluidra Pool



Tepelné čerpadlo lze ovládat na dálku z chytrého telefonu nebo tabletu prostřednictvím aplikace Fluidra Pool, která je k dispozici pro systémy iOS a Android. Před přihlášením do aplikace Fluidra Pool se ujistěte, že:

- Použít chytrý telefon nebo tablet s Wi-Fi.
- Použít síť Wi-Fi s dostatečně silným signálem pro připojení k tepelnému čerpadlu: signál Wi-Fi by měl být dostupný na místě, kde je zařízení používáno. Pokud tomu tak není, je třeba zajistit technické řešení pro zesílení stávajícího signálu.
- Zůstaňte v blízkosti zařízení a připravte si heslo pro domácí síť Wi-Fi.

jste si stáhli aplikaci Fluidra Pool (QR kód na zadní straně zařízení).



bliká indikátor „SET“

Otevřete aplikaci a postupujte podle kroků popsaných v aplikaci pro přidání tepelného čerpadla.



Zazimování



Stisknutím a přidržením tlačítka po dobu 2 s zařízení vypnete.

Odpojte zdroj napájení alespoň na 3 minuty.

Otevřete ventil B. Zavřete ventily A a C a otevřete ventily D a E (je-li to vhodné).

Vypusťte vodu z kondenzátoru, aby nedošlo k zamrznutí.

Nasazení zimního krytu

- V případě kompletního zazimování bazénu (celkové vypnutí filtračního systému, odvzdušnění filtračního okruhu nebo vypuštění bazénu): oba konektory jedním otočením zašroubujte zpět, aby se předešlo vniknutí cizího tělesa do kondenzátoru.
- V případě zazimování pouze tepelného čerpadla (pouze vypnutí ohřevu, filtrace zůstává funkční): neutahujte konektory, ale nasadte 2 zátky (součást dodávky) na vstupy a výstupy vody z kondenzátoru.
- Na tepelné čerpadlo nasadte zimní kryt (součást dodávky) a hydraulické přípojky protáhněte otvorem. Není nutné odpojovat hydraulické a elektrické přípojky.



- Zazimování je nutné, aby nedošlo k poškození kondenzátoru mrazem (na poškození mrazem bez zazimování se nevztahuje záruka).
- Aby nedošlo k poškození spotřebiče kondenzací, nezakrývejte jej zcela a použijte dodávaný zimní kryt.



Údržba

- Zajistěte, aby žádné cizí těleso neucpalo ventilační mříž.
- Vyčistěte výparník pomocí jemného kartáče a proudem čisté vody (odpojte napájecí kabel).
- Vyčistěte potrubí pro odvod kondenzátu, abyste odstranili všechny nečistoty, které by jej mohly zablokovat.
- Zajistěte, aby ventilační mříž spínací skříňky byla čistá.
- Nepoužívejte vysokotlaký čistič. Nepoužívejte na zařízení dešťovou vodu, slanou vodu ani mineralizovanou vodu.
- Vyčistěte vnější část zařízení; nepoužívejte prostředky na bázi rozpouštědel. Můžete použít jako příslušenství speciální sadu na čištění – PAC NET.




- Nevypínejte napájení elektrickou energií, když je zařízení v chodu. Pokud dojde k přerušení dodávek elektrické energie, počkejte minutu, než opět zapnete přívod proudu do zařízení.
- Před jakoukoli údržbou, odstraněním poruch nebo před opravou vždy doporučujeme deaktivovat připojení k Wi-Fi modemu, aby nedocházelo k dálkovému ovládní zařízení.
- Doporučujeme provádět celkovou údržbu zařízení nejméně jednou ročně, čímž se zaručí jeho správné fungování, zachová si výkon a zabrání se případným poruchám. Tyto činnosti provádí technik na náklady uživatele.







Další podrobnosti o bezpečnostních pokynech týkajících se chladiva R32 a provádění údržby kvalifikovaným technikem naleznete v online příručce.



- Než budete v případě nějakého problému kontaktovat prodejce, proveďte jednoduché kontroly. Pokud problém přetrvává, obraťte se na svého prodejce.
- : činnosti vyhrazené pro kvalifikovaného technika.

Chování zařízení

Zařízení nezačne ihned hřát	<ul style="list-style-type: none"> • Když je průtok vody nulový nebo nedostatečný, zařízení se vypne: ověřte, zda voda správně proudí zařízením a zda je správně provedeno hydraulické připojení. • Zařízení se vypne, když venkovní teplota klesne pod $-7\text{ }^{\circ}\text{C}$.
Ze zařízení vytéká voda	<ul style="list-style-type: none"> • Chcete-li zkontrolovat, zda voda nevytéká z netěsného okruhu bazénu na spotřebiči, vypněte jej a spusťte filtrační čerpadlo, aby voda ve spotřebiči cirkulovala. Pokud voda nadále protéká trubkami pro odvod kondenzátu, došlo k úniku vody ve spotřebiči: kontaktujte vašeho prodejce.
Výparník je zamrzlý	<ul style="list-style-type: none"> • Zařízení brzy spustí odmrazovací cyklus, aby led roztál. • Pokud se spotřebiči nepodaří odmrazit výparník, sám se vypne. To signalizuje, že venkovní teplota je příliš nízká (pod $-7\text{ }^{\circ}\text{C}$).
Ze zařízení se kouří	<ul style="list-style-type: none"> • Pokud zařízení neprovádí cyklus odmrazování, není to normální. Zařízení okamžitě vypněte, ihned ho odpojte a obraťte se na prodejce.
Zařízení nefunguje	<ul style="list-style-type: none"> •  Pokud se nic nezobrazuje, zkontrolujte napájecí napětí a pojistku F1. • Když je průtok vody nulový nebo nedostatečný, zařízení se vypne: ověřte, zda voda správně proudí zařízením.
Ventilátor se otáčí, ale kompresor se občas zastaví bez chybového hlášení	<ul style="list-style-type: none"> • Pokud je venkovní teplota nízká, zařízení provádí odmrazovací cykly. • Zařízení neodebere dostatečné množství tepla, protože výparník je zanesený nečistotami. Pro obnovení výkonnosti je nutné ho vyčistit.
Zařízení funguje, ale teplota vody nestoupá	<ul style="list-style-type: none"> • Provozní režim není dostatečně výkonný. Přepněte na režim „BOOST“ a nastavte filtraci na 24/24 ručně tak, aby se teplota zvýšila. • Zkontrolujte, zda není automatický plnicí ventil zablokovaný v otevřené poloze, čímž se do bazénu nadále přivádí studená voda a zabraňuje se nárůstu teploty. • Dochází k příliš velkým tepelným ztrátám z důvodu studeného vzduchu. Zakryjte bazén izotermickou plachtou. • Zařízení neodebere dostatečné množství tepla, protože výparník je zanesený nečistotami. Pro obnovení výkonnosti je nutné ho vyčistit. •  Zkontrolujte, zda je zařízení správně dimenzováno pro daný bazén a jeho okolí.
Zařízení vypíná jistič	<ul style="list-style-type: none"> •  Zkontrolujte, zda je jistič řádně dimenzovaný a zda je použitý průřez kabelu odpovídající. •  Napájecí napětí je příliš nízké; kontaktujte svého dodavatele elektrické energie.



Další podrobnosti o zobrazování chybových kódů a o schématech elektrického zapojení naleznete v online příručce.



Výkony: vzduch při 26 °C / voda při 26 °C / vlhkost při 80 %

		MD3	MD4	MD5	MD6	MD8
Obnovný výkon (max.–min. rychlost)	kW	7,0–2	9,5–2,3	13,0–2,4	15,0–2,5	19,0–7,5
Spotřeba energie (max. – min. rychlost)	kW	1,1–0,15	1,4–0,2	2,0–0,1	2,5–0,15	3,5–0,6
Průměrný topný faktor (max.–min. rychlost)		6,5–13,4	6,7–13,5	6,5–16,4	6,0–16,3	5,6–12,5
		MD9	MD12	TD8	TD9	TD12
Obnovný výkon (max.–min. rychlost)	kW	24,0–6,7	31,0–9,2	19,0–7,5	24,0–6,7	31,0–9,2
Spotřeba energie (max. – min. rychlost)	kW	4,5–0,5	5,6–0,7	3,5–0,6	4,5–0,5	5,6–0,7
Průměrný topný faktor (max.–min. rychlost)		5,4–13,7	5,4–13,2	5,6–12,5	5,4–13,7	5,4–13,2

Technické specifikace

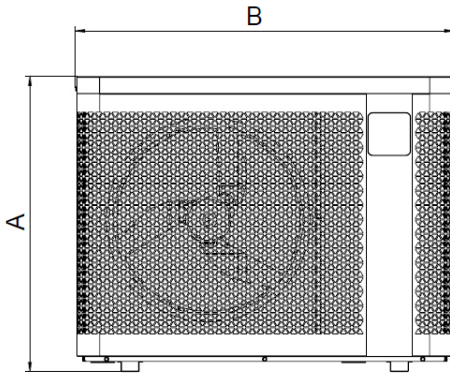
Provozní teplota	Vzduch	-7 až 43 °C
	Voda	V režimu „topení“: 15 až 40 °C V režimu „chlazení“: 8 až 28 °C
Provozní tlak	Chladivo	0,5 až 42 bar (0,05 až 4,2 MPa)
	Voda	0 až 2 bar (0 až 0,2 MPa)
Elektrické napájení		220 – 240 V / 1 fáze / 50–60 Hz 380 – 400 V / 3 fáze / 50–60 Hz (pouze TD8, TD9, TD12)
Přípustné kolísání napětí		± 6 % (během provozu)
Hydraulická připojení		2 x šroubení z PVC, 1/2 spojky Ø 50
Typ chladicího média		R32
Stupeň krytí		IPX4
Frekvenční pásma	GHz	2,400–2,497
Radiofrekvenční vysílací výkon	dBm	+19,5
Místo instalace		exteriér

Technické specifikace

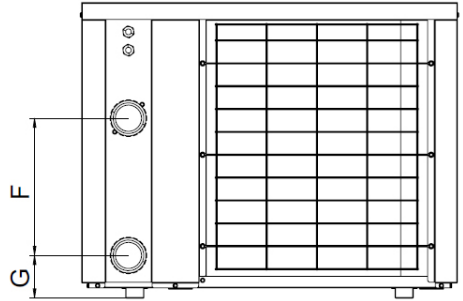
		MD3	MD4	MD5	MD6	MD8
Nominální spotřeba proudu	A	4,7	6	8,4	10,7	14
Maximální absorbovaný proud	A	8	9	13	16	19
Minimální průřez kabelu*	mm ²	3 x 2,5			3 x 4	
Zvukový výkon (max-min)	dB(A)	62-50	65-52		67-54	69
Tlak zvuku ve výšce 10 m (max-min)	dB(A)	31-19	34-21		36-23	38
Doporučený průtok vody	m ³ /h	3	4	5	6	7
Náplň chladiva	kg	0,3	0,45	0,6	0,7	1,0
	Ekv. Tun CO2	0,20	0,30	0,41	0,47	0,68
Přibližná hmotnost	kg	42,5	44,5	49,5	56	70
		MD9	MD12	TD8	TD9	TD12
Nominální spotřeba proudu	A	15,3	23	5,2	7,4	9,6
Maximální absorbovaný proud	A	20	30	8	9	12
Minimální průřez kabelu*	mm ²	3 x 4	3 x 6	5 x 2,5		5 x 4
Zvukový výkon (max-min)	dB(A)	71	74	69	71	74
Tlak zvuku ve výšce 10 m (max-min)	dB(A)	40	43	38	40	43
Doporučený průtok vody	m ³ /h	8	11	7	8	11
Náplň chladiva	kg	1,25	1,55	1,0	1,25	1,55
	Ekv. Tun CO2	0,84	1,05	0,68	0,84	1,05
Přibližná hmotnost	kg	88,5	107	73,5	92	103

* Orientační hodnoty pro maximální délku 20 metrů (výpočtový základ: NFC 15-100) je nutné ověřit a upravit podle podmínek instalace a norem příslušné země instalace.

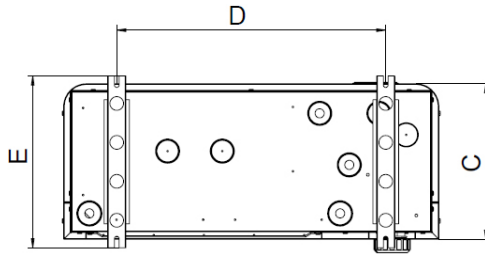
Rozměry



Dopředu



Dozadu



Dole

	A	B	C	D	E	F	G
MD3	646	823	339,5	590	375	300	93
MD4						260	103
MD5		906		593		330	
MD6	746	1103	359	790	395	350	93
MD8						367	
MD9						430	
MD12	846	1133	509,5	743	545	367	
TD8						430	
TD9						430	
TD12							



UPOZORNENIA



Tento návod na používanie obsahuje len základné informácie o bezpečnostných opatreniach, ktoré je potrebné dodržiavať počas inštalácie, údržby a uvedenia do prevádzky. Kompletný návod na používanie si môžete prečítať a stiahnuť vo formáte PDF z webovej stránky: www.zodiac.com. Všetky montážne, elektroinštalačné a údržbárske práce musia vykonávať kvalifikovaní, oprávnení pracovníci, ktorí si pozorne prečítali tento návod na používanie. Vyhradzujeme si právo bez predchádzajúceho upozornenia upraviť všetky alebo časť vlastností našich výrobkov alebo obsah tohto dokumentu.



! VŠEOBECNÉ UPOZORNENIA

- Toto zariadenie je určené na špecifické použitie v bazénoch a kúpeľoch. Nesmie sa používať na žiadne iné účely, ako na tie, na ktoré bolo určené.
- Nedodržanie týchto upozornení by mohlo spôsobiť vážne škody na zariadení bazéna a závažné alebo dokonca smrteľné poranenia.
- Toto zariadenie nie je určené na to, aby ho používali osoby (vrátane detí) so zníženými fyzickými, zmyslovými alebo duševnými schopnosťami, alebo osoby, ktoré nemajú dostatok skúseností a znalostí, pokiaľ nie sú pod dohľadom osoby zodpovednej za ich bezpečnosť alebo im táto osoba v súvislosti s používaním zariadenia nedáva pokyny. Dohliadnite na to, aby sa so zariadením nehrali deti.
- Zariadenie môžu používať deti od 8 rokov a osoby so zníženými telesnými, zmyslovými alebo duševnými schopnosťami alebo osoby s nedostatkom vedomostí alebo skúseností, ak sú pod dozorom, alebo ak dostali pokyny pre bezpečné použitie zariadenia, a ak rozumejú príslušným rizikám. Deti sa s týmto zariadením nesmú hrať. Čistenie a údržbu, ktorú má vykonávať používateľ, nesmú vykonávať deti bez dozoru.
- Zariadenie sa musí inštalovať v súlade s pokynmi výrobcu a pri dodržaní platných miestnych a štátnych noriem.
- Naše výrobky možno namontovať a inštalovať len na bazény, ktoré sú v súlade s normami IEC/HD 60364-7-702 a platnými štátnymi predpismi. Inštalácia musí byť v súlade s normou CEI/HD 60364-7-702 a platnými štátnymi predpismi pre bazény. Ďalšie informácie vám poskytne miestny predajca.

! UPOZORNENIA TÝKAJÚCE SA ELEKTRICKÝCH ZARIADENÍ

- Elektrické napájanie zariadenia musí byť chránené diferenciálnym ističom 30 mA v súlade s normami a predpismi platnými v krajine inštalácie.
- Súčasťou výbavy nie je elektrický vypínač na odpojenie. V súlade s platnými štátnymi právnymi predpismi pridajte do upevňovacej elektroinštalácie zariadenie na odpojenie napájania minimálne kategórie OVC III.
- Ak je napájací kábel poškodený, musí ho vymeniť len výrobca, jeho oprávnený zástupca alebo opravovňa.

! UPOZORNENIA TÝKAJÚCE SA ZARIADENÍ OBSAHUJÚCICH CHLADIACI PROSTRIEDOK R32



- Toto zariadenie obsahuje chladiaci prostriedok R32, chladiaci prostriedok kategórie A2L, ktorý sa považuje za potenciálne horľavý.
- Kvapalinu R32 nevypúšťajte do atmosféry. Ide o plyn s obsahom fluóru so skleníkovým efektom, na ktorý sa vzťahuje Kjótsky protokol a ktorý spôsobuje globálne otepľovanie (GWP) = 675 (európske predpisy 517/2014/EÚ).
- Pri prvom spustení zariadenia alebo aspoň raz za rok je potrebné skontrolovať, či nedochádza k úniku z chladiaceho systému, aby boli splnené dôležité normy a predpisy týkajúce sa životného prostredia a inštalácie, najmä vyhláška č. 2015-1790 a/alebo európske predpisy 517/2014/EÚ. Tento úkon musí vykonať špecialista s osvedčením pre chladiace zariadenia.
- Jednotku inštalujte vonku. Neinštalujte jednotku vnútri alebo v uzavretom, nevernatom priestore.
- Zariadenie musí byť pri trvalej prevádzke skladované v miestnosti bez zdroja zapálenia (napríklad: otvorený oheň, spustený plynový spotrebič alebo elektrický ohrievač).
- Ďalšie informácie nájdete v bezpečnostných pokynoch týkajúcich sa zariadení, ktoré obsahujú plyn R32, v kompletnej verzii návodu, ktorý popisuje kontrolu oblasti pracoviska, pracovný postup, všeobecnú pracovnú oblasť, kontrolu chladiaceho prostriedku, kontrolu prítomnosti hasiaceho prístroja, absencia zdroja iskier, vetranie daného priestoru, kontrolu chladiacich zariadení, kontrolu elektrických komponentov, opravu izolovaných komponentov, opravu vnútorných komponentov, káblový rozvod, detekciu horľavých chladiacich prostriedkov, odstránenie a likvidáciu, postupy plnenia a demontáže.
- Upozorňujeme, že chladiaci prostriedok R32 nemusí zapáčať.
- Na určenie procesu odmravovania alebo čistenia nepoužívajte žiadne iné prostriedky ako tie, ktoré odporúča výrobca.
- Neprepichujte a nezapalujte.

! INŠTALÁCIA A ÚDRŽBA

- Práce údržby alebo opravy zariadenia môže vykonávať len osoba kvalifikovaná v príslušnej technickej oblasti (elektrina, hydraulika alebo chladiarenstvo).
- Zariadenie sa nemôže inštalovať v blízkosti horľavých materiálov alebo prívodu vzduchu alebo susednej budovy.
- Počas fázy údržby zariadenia je potrebné skontrolovať zloženie a stav tepelnej kvapaliny a neprítomnosť zvyškov kvapaliny chladiacej kvapaliny.
- Počas každoročného testu vodotesnosti zariadenia v súlade s platnou legislatívou skontrolujte, či sú vysokotlakové a nízkotlakové spínače správne pripojené k chladiacemu okruhu a či v prípade vypnutia prerušujú elektrický okruh.
- Počas prác údržby zabezpečte, aby v okolí chladiacich komponentov neboli žiadne stopy korózie alebo oleja.
- Pred prácou na chladiacom okruhu vypnite zariadenie a pred inštaláciou snímačov teploty počkajte niekoľko minút. Niektoré prvky, ako je kompresor a potrubie, môžu dosiahnuť teplotu nad 100 °C a vysoký tlak, ktoré môžu spôsobiť vážne popáleniny.



UPOZORNENIA



ŠPECIFIKÁCIE CHLADIACEHO PROSTRIEDKU

Kontrola oblasti

- Pred začatím prác na systémoch s obsahom horľavých chladiacich prostriedkov sú potrebné bezpečnostné kontroly, aby sa zabezpečilo zníženie rizika vznietenia.

Pracovný postup

- Práce sa musia vykonávať podľa riadeného postupu, aby sa počas nich znížilo riziko prítomnosti horľavého plynu alebo výparov na minimum.

Pracovná oblasť vo všeobecnosti

- Pracovníci údržby a ďalšie osoby, ktoré pracujú v pracovnej oblasti musia byť informovaní o vykonávaných prácach. Je potrebné vyhnúť sa práci v stiesnených priestoroch.

Kontrola prítomnosti chladiaceho prostriedku

- Pred prácou a počas nej je potrebné oblasť skontrolovať vhodným detektorom chladiaceho prostriedku, aby bol technik upozornený na prítomnosť potenciálne toxického alebo horľavej atmosféry. Uistite sa, že použité zariadenie na zisťovanie úniku je vhodné na použitie so všetkými príslušnými chladiacimi prostriedkami, to znamená, že nemôže spôsobiť zapálenie, je správne izolované alebo dokonale spoľahlivé.

Kontrola prítomnosti hasiaceho prístroja

- Ak sa majú na chladiacom zariadení alebo akýchkoľvek súvisiacich častiach vykonávať práce, pri ktorých vzniká teplo, musí byť k dispozícii vhodné hasiace zariadenie. Práškový hasiaci prístroj alebo hasiaci prístroj CO2 musí byť prítomný v blízkosti pracovnej oblasti.

Žiadny zdroj zapálenia

- Osobám vykonávajúcim práce na chladiacom systéme, ktoré zahŕňajú vystavenie potrubiu, je zakázané používať zdroje zapálenia spôsobom, ktorý môže viesť k nebezpečenstvu požiaru alebo výbuchu. Všetky možné zdroje zapálenia, vrátane cigariet, musia byť v dostatočnej vzdialenosti od miesta inštalácie, opravy, demontáže a likvidácie, pri ktorej môže dôjsť k úniku chladiaceho prostriedku do okolitého priestoru. Pred začatím prác sa musí preskúmať okolie zariadenia, aby sa zabezpečilo, že nehrozí žiadne riziko vznietenia alebo zapálenia. Je povinné umiestnenie značiek „Zákaz fajčenia“.

Vetranie oblasti

- Pred každým prístupom k jednotke s cieľom vykonať údržbu sa uistite, že je oblasť otvorená a riadne vetraná. Počas údržby jednotky musí byť zabezpečené správne vetranie, ktoré umožňuje bezpečné rozptýlenie každého chladiaceho prostriedku, ktorý sa môže omylom uvoľniť do atmosféry.

INFORMÁCIE O PRODUKTOCH S PRIPOJENÍM (podľa smernice RED)

Vyhlásenie o zhode

Spoločnosť Zodiac týmto vyhlasuje, že rádiové zariadenie typu PX25 je v súlade so smernicou 2014/53/EÚ. Úplné znenie európskeho vyhlásenia o zhode je k dispozícii na tejto webovej stránke: <https://www.zodiac-poolcare.com/>.

1 Inštalácia zariadenia

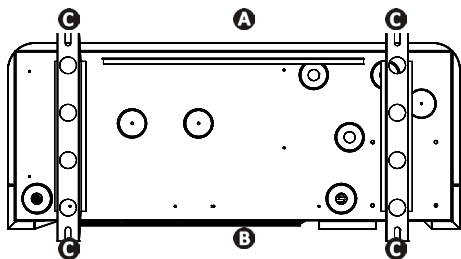


1 Inštalácia



- Zariadenie sa musí nainštalovať minimálne 2 metre od okraja bazény.

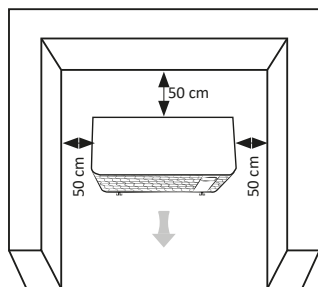
Zariadenie položte na antivibračné platne (dodané so zariadením) na stabilný, pevný a rovný povrch.



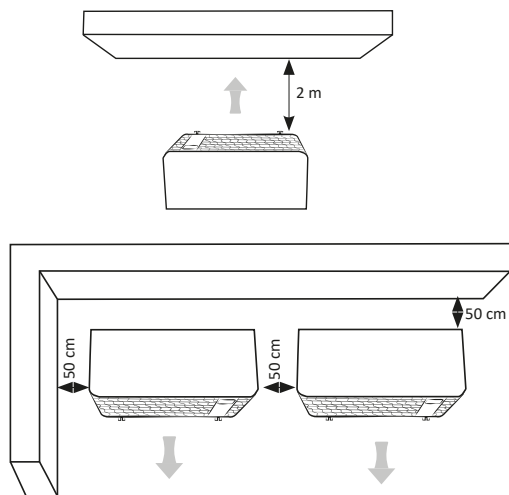
- A**: Predný
- B**: Zadný
- C**: Antivibračné platne

Pohľad na základňu zariadenia zdola pre inštaláciu antivibračných platní

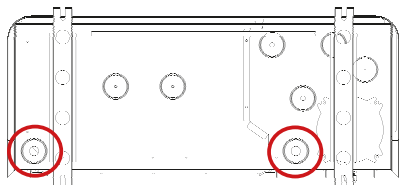
Výber umiestnenia



Minimálne vzdialenosť



Odvedenie kondenzátu: Pomocou antivibračných platní zdvihnite zariadenie aspoň o 10 cm a do otvorov umiestnených pod podstavcom zariadenia nainštalujte dve odtokové potrubia kondenzátu.



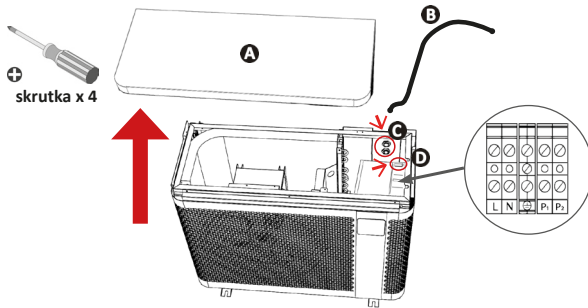
Viac informácií o bezpečnostných opatreniach pre inštaláciu a hydraulické pripojenia si prečítajte v online návode na používanie.



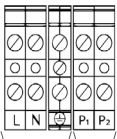
- Pred každým zásahom vo vnútri zariadenia vypnite elektrické napájanie zariadenia (hrozí riziko úrazu elektrickým prúdom). Napájací zdroj musí byť odpojený tak, aby ste mohli kedykoľvek z akéhokoľvek prístupného miesta skontrolovať, či je napájací zdroj odpojený. Ak to nie je možné, musíte zabezpečiť odpojenie pomocou uzamykacieho systému.
- Práce na elektrických káblových vedeniach a vymieňať napájací kábel smie realizovať iba kvalifikovaný a skúsený technik.
- Uistite sa, že sú skrutky svoriek správne utiahnuté (hrozí riziko požiaru). Nesprávne utiahnuté skrutky svoriek spôsobia stratu záruky.
- Elektrické napájanie neodpájajte, keď je zariadenie v prevádzke. Ak dôjde k prerušeniu elektrického napájania, pred opätovným obnovením prúdu počkajte jednu minútu.

Pripojenie jednotky k zdroju napájania a príslušenstvu

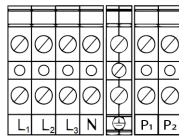
Pomocou skrutkovača (4 skrutky) otvorte a vyberte horný panel **A**, aby ste získali prístup k elektrickej svorkovnici. **B** Napájací kábel zapojte do jednej z káblových priechodiek **C** na zadnej strane zariadenia. Napájací kábel upevnite v zariadení vložení cez káblovú priechodku **D**.



Pripojte napájací kábel ku svorkovnici vo vnútri zariadenia takto:



Pripojenie k elektrickému napájaniu výbavy (filtračné čerpadlo, napájacie relé).



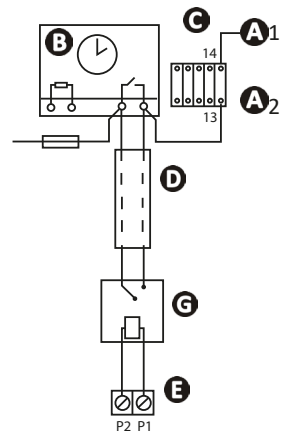
Pripojenie k elektrickému napájaniu výbavy (filtračné čerpadlo, napájacie relé).

Svorkovnica pre jednofázové napájanie

Svorkovnica pre trojfázové napájanie

L: Napätie
N: Nulový vodič
⊕: Uzemnenie

Pripojenie priority ohrevu



- A1 – A2:** Napájanie cievky stykača napájania filtračného čerpadla
- B:** Časovač filtrácie
- C:** Stykač (dvojpolárny) filtračného čerpadla
- D:** Samostatný kábel pre funkciu „priorita ohrevu“ (nie je súčasťou balenia)
- E:** Svorkovnica ohrevného čerpadla
- F:** Poistka
- G:** Relé so suchým kontaktom/230 V (nie je súčasťou balenia)

Káble a ochrana káblov

Model	Elektrické napájanie	Maximálna intenzita	Priemer kábla*	Teplná magnetická ochrana (krivka D)
MD3	220 – 240 V 1 fáza 50 – 60 Hz	8	RO2V 3 x 2,5 mm ²	16 A
MD4		9		16 A
MD5		13		16 A
MD6		16	RO2V 3 x 4 mm ²	20 A
MD8		19		20 A
MD9		20		25 A
MD12		30	RO2V 3 x 6 mm ²	32 A
TD8	380 – 400 V 3 fáza 50 – 60 Hz	8	RO2V 5 x 2,5 mm ²	10 A
TD9		9		10 A
TD12		12		RO2V 5 x 4 mm ²

* Prierez kábla vhodný pre káble max. do 20 metrov. Pri väčších dĺžkach sa poraďte s elektrikárom.



Ikony

Režim		Popis
	Ohrev	ECOSILENCE (Tichý) Prevádzka so zníženým výkonom pre väčšiu úsporu energie a minimálnu hladinu hluku. Ideálna na udržiavanie teploty, keď je teplota vzduchu prostredia vysoká.
		SMART (Inteligentný) Automatické nastavenie výkonu podľa potreby. Automaticky prepína medzi režimami ECOSILENCE (Tichý) a BOOST (Zosilnený).
		BOOST (Zosilnený) Prevádzka s maximálnym výkonom pre rýchly ohrev. Ideálna na začiatku sezóny na zvýšenie alebo udržanie teploty, keď je vzduch prostredia studený.
	Ohrev/ Chladenie (odporúčaný režim)	SMART (Inteligentný) Tepelné čerpadlo si automaticky zvolí najvhodnejší prevádzkový režim podľa nastavenej hodnoty teploty.
	Chladenie	ECOSILENCE (Tichý) Ochladzuje bazén pri zníženej výkone pre väčšiu úsporu energie a minimálnu hladinu hluku.
		SMART (Inteligentný) Automatické nastavenie výkonu podľa potreby. Automaticky prepína medzi režimami ECOSILENCE (Tichý) a BOOST (Zosilnený).
		BOOST (Zosilnený) Ochladzuje bazén na maximálny výkon pre rýchle schladenie.



Zamknutie/odmknutie klávesnice



3 sekundy



Nastavenie času



Stlačte 2-krát.



bliká.



Stlačením tlačidla nastavte hodiny



Stlačením tlačidla vykonajte úpravu.



Stlačením potvrdte. Opätovným stlačením tlačidla SET (Nastaviť) nastavte minúty.



Stlačením tlačidla 1 s potvrdte a vráťte sa na hlavnú obrazovku.



Nastavenie nastavenej hodnoty teploty



Odomknite klávesnicu (3 s)

Skontrolujte, či kompresor funguje:

zobrazí sa ikona prevádzkového režimu.



Upravte teplotu. Ikona prevádzkového režimu bliká.

Odporúčaná teplota: 28 °C



Výber prevádzkových režimov

Tepelné čerpadlo má 4 prevádzkové režimy ohrevu/chladenia, aby prispôbilo svoju prevádzkovú rýchlosť požadovanému výkonu a zvolenému režimu:

- Režim „BOOST (Inteligentný)“
- Režim „SMART (Inteligentný)“
- Režim „ECOSILENCE (Tichý)“
- Režim „Auto“ (Automatický) (odporúčaný)



Odomknite klávesnicu (3 s).

Potom stlačte tlačidlo SET (Nastaviť).

Zobrazí sa indikátor 



Prechádzajte cez dostupné režimy.



Stlačením potvrdte. Stlačením tlačidla po dobu 2 s spustíte daný režim.



Deaktivácia tepelného čerpadla



Odomknite klávesnicu (3 s).



Stlačte na 2 s. Čerpadlo sa zastaví po niekoľkých minútach.



Ikona zmizne, keď kompresor nie je zapnutý.



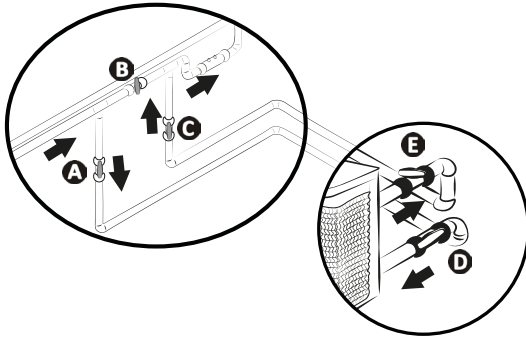
Stlačením po dobu 2 sekúnd znova zapnete kompresor.




Viac informácií o prevádzkových režimoch a časovačoch si prečítajte v online návode.



Otvorenie hydraulického okruhu

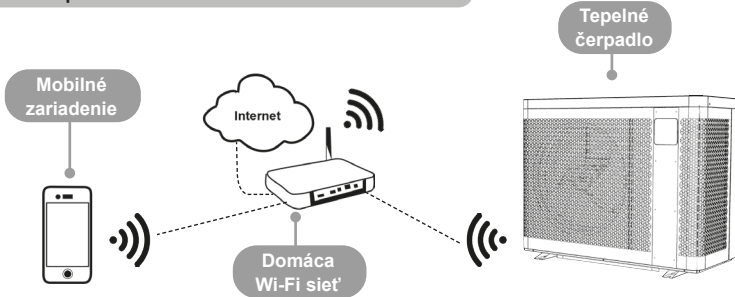


UPOZORNENIE: Nesprávne nastavenie obtoku môže spôsobiť nesprávne fungovanie tepelného čerpadla.

- Postupne zatvárajte ventil B.
- Úplne otvorte ventily A, C a D. Otvorte ventil E na polovicu (vzduch, ktorý sa nahromadil v kondenzátore tepelného čerpadla a vo filtračnom okruhu sa uvoľní). Ak nie sú k dispozícii ventily D a E, úplne otvorte úplne ventil A a na polovicu zatvorte ventil C.
- Tepelné čerpadlo pripojte k zdroju elektrického napájania.
- Ak je tepelné čerpadlo v pohotovostnom režime, stlačte tlačidlo  na 3 sekundy: Nastavte hodiny a vyberte prevádzkový režim.
- Nastavte požadovanú teplotu.



Pripojenie k aplikácii Fluidra Pool



Tepelné čerpadlo sa dá ovládať aj na diaľku pomocou smartfónu alebo tabletu cez aplikáciu Fluidra Pool dostupnú pre systémy iOS a Android. Pred pripojením k aplikácii Fluidra Pool:

- Je potrebné použiť smartfón alebo tablet s Wi-Fi.
- Je potrebné použiť sieť s Wi-Fi so signálom dostatočným na pripojenie k tepelnému čerpadlu: signál Wi-Fi musí byť dostupný na mieste, kde sa zariadenie používa. V opačnom prípade je potrebné zabezpečiť technické riešenie na zosilnenie existujúceho signálu.
- Zostaňte v blízkosti zariadenia a pripravte si heslo pre domácu sieť Wi-Fi.

Stiahnite si aplikáciu Fluidra Pool (kód QR na zadnej strane zariadenia)



Bliká hlásenie „SET“ (Nastaviť)

Otvorte aplikáciu a podľa krokov opísaných v aplikácii pridajte tepelné čerpadlo.



Zimovanie



Stlačením a podržaním tlačidla na 2 s vypnite zariadenie

Napájací zdroj odpojte minimálne na 3 minúty

Otvorte ventil B. Zatvorte ventily A a C a otvorte ventily D a E (ak je to vhodné)

Vypustite vodu z kondenzátora, aby ste zabránili riziku zamrznutia

Umiestnite zimovaciu kryciu plachtu

- V prípade kompletného zimovania bazéna (kompletné vypnutie filtračného systému, vypustenie filtračného okruhu, vypustenie bazéna): zdvihnite obe prípojky o jednu otáčku, aby sa predišlo prieniku cudzieho telesa do kondenzátora.
- V prípade zimovania tepelného čerpadla samostatne (vypnite ohrev, filtrácia musí fungovať naďalej): neuťahujte prípojky, ale umiestnite 2 (je súčasťou balenia) uzávery na prívod a odtok vody z kondenzátora.
- Na tepelné čerpadlo umiestnite zimovaciu kryciu plachtu (je súčasťou balenia) tak, aby hydraulické prípojky prechádzali otvorom, ktorý je na to určený. Nie je potrebné odpájať elektrické a hydraulické prípojky.



- Zazimovanie je nevyhnutné, aby sa zabránilo poškodeniu kondenzátora v dôsledku mrazu (na mraz bez zazimovania sa nevzťahuje záruka).
- Zariadenie úplne neprikrývajte, aby sa predišlo poškodeniu zariadenie kondenzáciou, použite zimovaciu kryciu plachtu, ktorá je súčasťou balenia.



Údržba

- Skontrolujte, či nie je vetracia mriežka zablokovaná cudzími predmetmi.
- Odparovač očistite pomocou kefy s mäkkými štetinami a jemným prúdom vody (odpojte napájací kábel).
- Očistite potrubie na odvod kondenzátu, aby ste odstránili všetky nečistoty, ktoré by ho mohli zablokovať.
- Skontrolujte, či je vetracia mriežka spínacej skrinky čistá.
- Nepoužívajte vysokotlakový prúd. Nestriekajte dažďovú vodu, slanú vodu alebo vodu obsahujúcu minerály.
- Vyčistite vonkajšiu časť zariadenia. Nepoužívajte prostriedky na báze rozpúšťadiel. Môžete použiť špeciálnu čistiacu súpravu: PAC NET.




- Elektrické napájanie neodpájajte, keď je zariadenie v prevádzke. Ak dôjde k prerušeniu elektrického napájania, pred opätovným zapnutím zariadenia počkajte jednu minútu.
- Pred každým servisným úkonom, odstraňovaním problémov alebo opravou sa odporúča deaktivovať pripojenie Wi-Fi modemu, aby sa predišlo riziku diaľkového ovládania zariadenia.
- Odporúča sa aspoň raz ročne vykonať všeobecnú údržbu, aby sa zabezpečila jeho správna prevádzka, zachoval jeho výkon a predišlo sa prípadným poruchám. Tieto úkony vykoná technik na náklady používateľa



Podrobné informácie o bezpečnostných pokynoch týkajúcich sa chladiaceho prostriedku R32 a o údržbe, ktorú musí vykonávať kvalifikovaný technik, nájdete v online návode na používanie.



- Skôr ako sa v prípade problému obrátite na predajcu, vykonajte niekoľko jednoduchých kontrol. Ak sa problém nevyrieši, kontaktujte svojho predajcu.
-  Úkony musí vykonávať kvalifikovaný technik, nájdete v online návode na používanie.

Správanie sa zariadenia

Zariadenie sa nespustí okamžite.	<ul style="list-style-type: none"> • Keď je prietok vody nulový alebo nedostatočný, zariadenie sa vypne: skontrolujte, či je obeh vody v zariadení správny a či sú hydraulické prípojky správne pripojené. • Zariadenie sa zastaví, keď vonkajšia teplota klesne pod -7 °C.
Zariadenie vystrekuje vodu	<ul style="list-style-type: none"> • Ak chcete skontrolovať, či voda nepochádza z netesnosti v okruhu bazéna na zariadení, vypnite ho a spustite filtračné čerpadlo, aby voda začala cirkulovať v zariadení. Ak voda naďalej vyteká cez vypúšťacie potrubie kondenzátu, v zariadení dochádza k úniku vody: Kontaktujte svojho predajcu.
Odparovač je zamrznutý	<ul style="list-style-type: none"> • Zariadenie čoskoro zapne odmrazovací cyklus za účelom roztopenia ľadu. • Ak zariadenie nedokáže odmraziť odparovač, samo sa vypne. Znamená to, že vonkajšia teplota je príliš nízka (nižšia ako - 7 °C).
Zo zariadenia sa „parí“	<ul style="list-style-type: none"> • Ak zariadenie nie je v cykle odmrazovania, nie je to normálne. Okamžite zariadenie vypnite, odpojte ho zo zdroja napájania a kontaktujte predajcu.
Zariadenie nefunguje	<ul style="list-style-type: none"> •  Ak displej nesvieti, skontrolujte napájacie napätie a poistku F1. • Keď je prietok vody nulový alebo nedostatočný, zariadenie sa vypne: skontrolujte, či je obeh vody v zariadení správny.
Ventilátor funguje ale kompresor sa občas vypne bez chybového hlásenia	<ul style="list-style-type: none"> • Ak je vonkajšia teplota nízka, zariadenie vykoná cykly odmrazovania. • Zariadenie nedokáže zachytiť dostatok kalórií, pretože jeho odparovač je zanesený. Vyčistite ho, aby sa obnovil jeho výkon.
Zariadenie funguje ale teplota vody sa nezvyšuje	<ul style="list-style-type: none"> • Prevádzkový režim nie je dostatočne výkonný. Prejdite do režimu „BOOST“ (Zosilnený) a filtráciu prepnite do manuálnej prevádzky 24/24, aby sa teplota zvýšila. • Skontrolujte, či ventil automatického plnenia nie je zablokovaný v otvorenej polohe. Bude tak naďalej privádzať studenú vodu do bazéna a tým brániť zvyšovaniu teploty. • Teplo sa výrazne stráca, pretože vzduch je studený. Na bazén nainštalujte tepelne izolačnú kryciu plachtu. • Zariadenie nedokáže zachytiť dostatok kalórií, pretože jeho odparovač je zanesený. Vyčistite ho, aby sa obnovil jeho výkon. •  Skontrolujte, či je veľkosť zariadenia vhodná pre daný bazén a prostredie.
Zariadenie vypne istič.	<ul style="list-style-type: none"> •  Skontrolujte, či je istič správne dimenzovaný a či je použitý správny prierez kábla. •  Napätie napájania je veľmi nízke: kontaktujte svojho dodávateľa elektrickej energie.



Podrobné informácie o zobrazovaní chybových kódov, na doske s plošnými spojmi a schémach zapojenia nájdete v online návode na používanie.



Výkon: vzduch pri 26 °C/voda pri 26 °C/vlhkosť 80 %

		MD3	MD4	MD5	MD6	MD8
Získaný výkon (max. – min rýchlosť)	kW	7,0 – 2	9,5 – 2,3	13,0 – 2,4	15,0 – 2,5	19,0 – 7,5
Spotrebovaný výkon (max. – min rýchlosť)	kW	1,1 – 0,15	1,4 – 0,2	2,0 – 0,1	2,5 – 0,15	3,5 – 0,6
Priemerné COP (max. – min rýchlosť)		6,5 – 13,4	6,7 – 13,5	6,5 – 16,4	6,0 – 16,3	5,6 – 12,5
		MD9	MD12	TD8	TD9	TD12
Získaný výkon (max. – min rýchlosť)	kW	24,0 – 6,7	31,0 – 9,2	19,0 – 7,5	24,0 – 6,7	31,0 – 9,2
Spotrebovaný výkon (max. – min rýchlosť)	kW	4,5 – 0,5	5,6 – 0,7	3,5 – 0,6	4,5 – 0,5	5,6 – 0,7
Priemerné COP (max. – min rýchlosť)		5,4 – 13,7	5,4 – 13,2	5,6 – 12,5	5,4 – 13,7	5,4 – 13,2

Technické špecifikácie

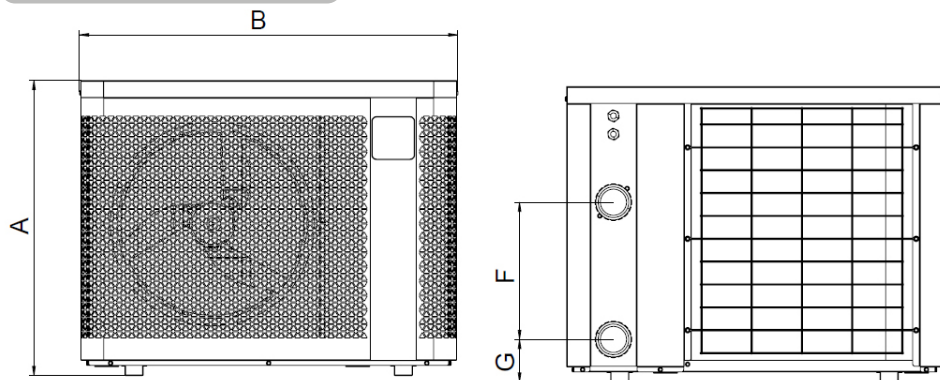
Prevádzková teplota	Vzduch	Od -7 do 43 °C
	Voda	Režim „ohrevu“: 15 – 40 °C Režim „chladenia“: 8 – 28 °C
Prevádzkový tlak	Chladiaci prostriedok	od 0,5 do 42 bar (od 0,05 do 4,2 MPa)
	Voda	od 0 do 2 bar (od 0 do 0,2 MPa)
Elektrické napájanie		220 – 240 V/1 fáza/50 – 60 Hz 380 – 400 V/3 fázy/50 – 60 Hz (iba TD8, TD9, TD12)
Prípustné variácie napätia		± 6 % (počas prevádzky)
Hydraulické pripojenia		2 x PVC prípojky , 1/2 prípojka Ø 50
Typ chladiacej kvapaliny		R32
Index ochrany		IPX4
Frekvenčné pásma	GHz	2,400 – 2,497
Výkon rádiový frekvenčného vyžarovania	dBm	+19,5
Miesto používania		exteriér

Technické špecifikácie

		MD3	MD4	MD5	MD6	MD8
Nominálna absorbovaná intenzita	A	4,7	6	8,4	10,7	14
Maximálna absorbovaná intenzita	A	8	9	13	16	19
Min prierez kábla*	mm ²	3 x 2,5			3 x 4	
Akustický výkon (max. – min.)	dB (A)	62-50	65-52		67-54	69
Akustický tlak pri 10 m (max – min)	dB (A)	31-19	34-21		36-23	38
Odporúčaný prietok vody	m ³ /h	3	4	5	6	7
Množstvo chladiacej kvapaliny	kg	0,3	0,45	0,6	0,7	1,0
	Ekvivalent Ton CO2	0,20	0,30	0,41	0,47	0,68
Približná hmotnosť	kg	42,5	44,5	49,5	56	70
		MD9	MD12	TD8	TD9	TD12
Nominálna absorbovaná intenzita	A	15,3	23	5,2	7,4	9,6
Maximálna absorbovaná intenzita	A	20	30	8	9	12
Min prierez kábla*	mm ²	3 x 4	3 x 6	5 x 2,5		5 x 4
Akustický výkon (max. – min.)	dB (A)	71	74	69	71	74
Akustický tlak pri 10 m (max – min)	dB (A)	40	43	38	40	43
Odporúčaný prietok vody	m ³ /h	8	11	7	8	11
Množstvo chladiacej kvapaliny	kg	1,25	1,55	1,0	1,25	1,55
	Ekvivalent Ton CO2	0,84	1,05	0,68	0,84	1,05
Približná hmotnosť	kg	88,5	107	73,5	92	103

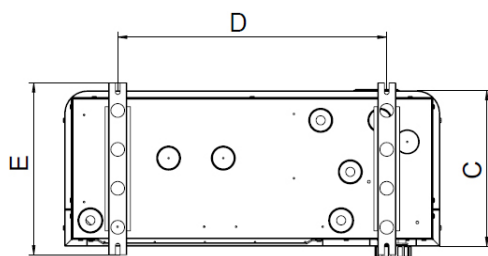
* Hodnoty sú uvedené na informačné účely pre maximálnu dĺžku 20 metrov (základ výpočtu: NFC15-100) a musia sa overiť a upraviť podľa inštalčných podmienok a noriem krajiny, kde sa inštalácia realizovala.

Rozmery



Predný

Zadný



Spodná strana

	A	B	C	D	E	F	G
MD3	646	823	339,5	590	375	300	93
MD4						260	103
MD5		906		593		330	
MD6	746	1103	359	790	395	350	93
MD8						367	
MD9						430	
MD12	846	1133	509,5	743	545	367	
TD8						430	
TD9						430	
TD12							



يحتوي هذا الدليل فقط على المعلومات الأساسية حول تدابير السلامة التي يتم اتخاذها أثناء التركيب والصيانة والتشغيل. يمكن قراءة الدليل الكامل وتحميله بصيغة PDF من موقع الإنترنت: www.zodiac.com. يجب تنفيذ كل أعمال التركيب والتركيبات الكهربائية والصيانة بمعرفة عاملين مؤهلين ومعتمدين وقاموا بقراءة هذا الدليل بعناية. واحتفظ بالحق في تعديل مواصفات منتجنا أو محتوى هذه الوثيقة كلياً أو جزئياً بدون إشعار مسبق.



تنبيهات عامة

- الجهاز مخصص للاستخدام في أحواض السباحة والنوادي الصحية لغرض معين؛ ويجب عدم استخدامه لأغراض أخرى بخلاف تلك الأغراض التي صُمم من أجلها.
- مراعاة هذه التنبيهات قد يتسبب في حدوث تلف جسيم لمعدات حوض السباحة أو التسبب في حدوث إصابات خطيرة وربما الوفاة.
- هذا الجهاز غير مخصص لأن يستخدمه أشخاص (بما في ذلك الأطفال) ذوو قدرات بدنية أو حسية أو عقلية منخفضة أو الذين يفقدون إلى الخبرة والمعرفة، إلا في حالة وجود إشراف أو تلقي نصيحة بشأن استخدام الجهاز من شخص مسؤول عن سلامتهم. يجب مراقبة الأطفال للتأكد أنهم لا يعثون بالجهاز.
- يمكن للأطفال من سن الثامنة فما فوق استخدام هذا الجهاز، وايضاً للأشخاص ذوي القدرات البدنية والحسية والذهنية المنخفضة، وللأشخاص الذين يفقدون إلى الخبرة والمعرفة، في حالة وجود إشراف أو تعليمات تخص استخدام الجهاز بصورة آمنة، وأنهم يدركون الأخطار التي قد تحدث. ينبغي ألا يعيثر الأطفال بهذا الجهاز. يجب ألا يتم التنظيف والصيانة بواسطة المستخدم من قِبل الأطفال دون الخضوع للإشراف.
- يجب تركيب الجهاز وفقاً لتعليمات الشركة المصنعة مع مراعاة اللوائح المحلية والوطنية.
- يمكن تجميع تركيب منتجنا وتركيبها فقط في أحواض السباحة المتوافقة مع المعيار CEI/HD 60364-7-702 ومع القواعد الوطنية المطبقة. يجب أن يكون التركيب مطابقاً للمعيار رقم CEI/HD 60364-7-702 وللقوانين الوطنية المطبقة على أحواض السباحة. استشر الوكيل المحلي لمزيد من المعلومات.

تنبيهات مرتبطة بالأجهزة الكهربائية

- يجب أن يتم حماية إمداد الجهاز بالتيار الكهربائي بواسطة قاطع تيار تفاضلي مخصص سعة 30 ملي أمبير، متوافق مع المعايير واللوائح المعمول بها في بلد التركيب.
- الجهاز لا يشمل مفتاح تحويل كهربائياً للفصل. إضافة جهاز فصل التيار في توصيلات كابلات التنبيهات من الفئة OVC III على الأقل، وفقاً للقوانين الوطنية المطبقة.
- إذا كان كابل الكهرباء تلقاً، يجب استبداله فقط بمعرفة المصنع أو وكيل معتمد أو ورشة إصلاح.



تنبيهات تخص الأجهزة التي تحتوي على غاز التبريد R32

- هذا الجهاز يحتوي على سائل التبريد R32، وهو مادة تبريد من الفئة A2L، والتي يُحتمل أن تكون قابلة للاشتعال.
- يجب عدم تفريغ سائل R32 في الجو. هذا السائل هو من الغازات المفلورة المسببة للاحتباس الحراري، والتي تخضع لبروتوكول كيوتو، وله احتمالية احتراق عالمي (GWP) بمقدار 675 (اللائحة الأوروبية 517/2014 EU).
- من أجل الامتثال للمعايير واللوائح ذات الصلة بالبيئة والتركيب، لا سيما القرار رقم 1790-2015 / أو اللوائح الأوروبية 517/2014 EU، يجب إجراء فحص للكشف عن التسريبات في نظام التبريد أثناء التشغيل للمرة الأولى أو مرة واحدة على الأقل في السنة. يجب أن يتم هذا الإجراء من قِبل متخصص معتمد في معدات التبريد.
- يتم تركيب الوحدة في الخارج. لا تقم بتركيب الوحدة في الداخل أو في مكان مغلق وغير جيد التهوية.
- يجب تخزين الجهاز في غرفة بدون مصدر شرارة دائم (مثل: اللهب المكشوف أو جهاز غاز قيد التشغيل أو جهاز تدفئة كهربائية قيد التشغيل).
- لمزيد من المعلومات، راجع تعليمات السلامة الخاصة بالأجهزة التي تحتوي على الغاز R32 في نسخة الدليل الكامل، والذي يوضح فحص المنطقة وإجراء العمل ومنطقة العمل العامة والتحقق من وجود مادة التبريد والتحقق من وجود طفافية حريق، وعدم وجود مصدر شرر وتهوية المنطقة وفحص معدات غاز التبريد وفحص المكونات الكهربائية وإصلاح المكونات المعزولة وإصلاح المكونات مأمونة الاستعمال وتوصيل الكابلات واكتشاف غاز التبريد القابل للاشتعال والسحب والتفريغ وإجراءات الشحن والفك.
- لاحظ أنه قد لا توجد أي رائحة لمادة التبريد R32.
- لا تستخدم أي وسيلة لتسريع عملية إزالة الجليد أو من أجل التنظيف، بخلاف تلك الموصى بها من قِبل الشركة المصنعة.
- لا تقم بالنقب ولا الحرق.

التركيب والصيانة

- الشخص المؤهل في المجالات التقنية المعنية (الكهرباء أو المياه أو التبريد) هو وحده المخوّل بالقيام بأعمال تركيب الجهاز أو صيانته أو إصلاحه.
- يجب عدم تركيب الجهاز بالقرب من الخامات القابلة للاشتعال أو من أنبوب مدخل هواء لمبنى مجاور.
- أثناء صيانة الجهاز، افحص المكونات وحالة سائل نقل الحرارة، وكذلك عدم وجود أي أثر لسائل التبريد.
- أثناء الفحص السنوي للكشف عن التسرب في الجهاز، وفقاً للقوانين السارية، تحقق من أن مفاتيح الضغط العالي والمنخفض مثبتة بشكل صحيح في دائرة التبريد وأنها تفتح والدائرة الكهربائية في حالة الانطلاق.
- خلال أعمال الصيانة، ينبغي التأكد من عدم وجود آثار للتآكل أو زيت حول المكونات الخاصة بالتبريد.
- قبل البدء في العمل على دائرة التبريد، أوقف الجهاز وانتظر عدة دقائق قبل رفع مستشعرات الحرارة والضغط. يمكن أن ترتفع درجة حرارة بعض العناصر، مثل الضاغط والأنابيب، إلى درجات حرارة تزيد عن 100 درجة مئوية وضغط عالٍ، مع وجود خطر حدوث حروق خطيرة ناتجة عن ذلك.



فحص المنطقة

- قبل البدء في العمل على الأنظمة التي تحتوي على المبردات القابلة للاشتعال، من الضروري إجراء فحوصات السلامة لضمان تقليل مخاطر حدوث الشرر.

إجراءات العمل

- يجب أن يتم العمل وفقاً لإجراءات خاضعة للرقابة من أجل تقليل خطر وجود غاز أو أبخرة قابلة للاشتعال أثناء تنفيذ العمل.

منطقة العمل العامة

- يجب إخبار موظفي الصيانة وغيرهم من العاملين في المنطقة بطبيعة الأعمال المراد إنجازها. يجب تجنب العمل في الأماكن المغلقة.

فحص وجود مادة التبريد

- يجب فحص المنطقة بواسطة كاشف مادة التبريد المناسب قبل العمل وأثناءه، للتأكد من تنبيه الفني الأجواء التي قد تكون سامة أو قابلة للاشتعال. تأكد أن معدات الكشف عن التسرب المستخدمة مناسبة للاستخدام مع جميع مواد التبريد المعنية، أي أنها لا تتسبب في حدوث الشرر، وأنها معزولة بشكل صحيح أو آمنة تماماً.

فحص وجود طفاية حريق

- في حالة تنفيذ بعض الأعمال التي قد تتسبب في ارتفاع درجة الحرارة لمعدات مواد تبريد أو أي قطعة مرتبطة بها، فيجب توفير معدات إطفاء الحريق المناسبة بحيث تكون في متناول اليد. يجب وجود طفاية حريق تعمل بالمسحوق الجاف أو بيثاني أكسيد الكربون على مقربة من منطقة الشحن.

عدم وجود مصدر لهب

- يحظر على أي شخص يقوم بعمل على نظام التبريد بنظوي على التعامل مع الأنابيب أن يستخدم مصادر لهب بطريقة قد تؤدي إلى خطر نشوب حريق أو انفجار. يجب إبقاء جميع مصادر اللهب الممكنة، بما في ذلك السجائر، بعيدة بما فيه الكفاية عن موقع التركيب أو الإصلاح أو السحب أو التخلص، حيث يحتمل انبعاث سائل التبريد في المكان المحيط. قبل بدء العمل، يجب فحص المنطقة المحيطة بالمعدات للتأكد من أنه لا يوجد مخاطر أشياء قابلة للاشتعال أو مخاطر اللهب. يجب تعليق لافتات "ممنوع التدخين".

تهوية مكان العمل

- قبل الوصول إلى الوحدة بأي شكل من الأشكال لإجراء صيانة ما، يجب التأكد أن المنطقة مفتوحة وبها تهوية صحيحة. يجب المحافظة على التهوية المناسبة أثناء العناية بالوحدة للسماح بالتهوية الآمنة لأي مادة تبريد يمكن أن تتسرب عن طريق الخطأ في الأجواء.

معلومات عن المنتجات المتصلة بالإنترنت (حسب التوجيه RED)

بيان المطابقة

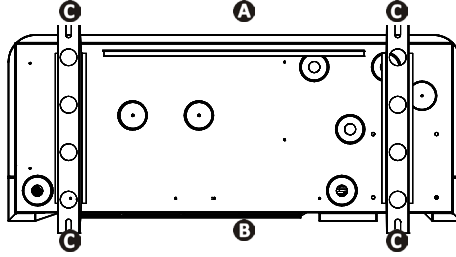
تعلم شركة Zodiac، بموجب هذا الإقرار، أن المعدات اللاسلكية من طراز PX25 متوافقة مع التوجيه 2014/53/UE. النص الكامل لبيان المطابقة الأوروبي متاح على العنوان التالي: <https://www.zodiac-poolcare.com/>.



• يجب تثبيت الجهاز في الخارج على بعد 2 متر على الأقل من حافة حوض السباحة.



ضع الجهاز على حوامل المقاومة للاهتزاز (مُباعة مع الجهاز) على سطح مستقر وصلب ومستوٍ.



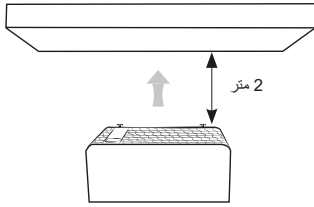
A : الأمام

B : الخلف

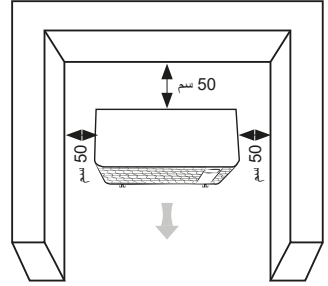
C : حوامل مقاومة للاهتزازات

منظر لقاعدة الجهاز من الأسفل لتثبيت الأوتاد المقاومة للاهتزازات

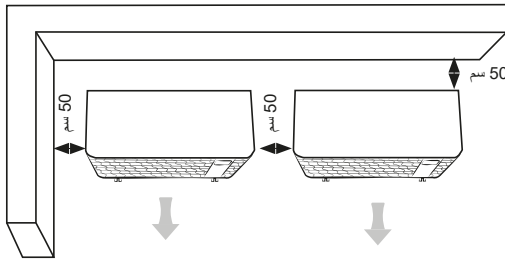
اختيار الموقع



2 متر

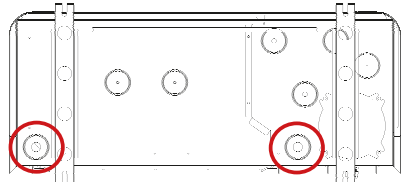


الحد الأدنى من المسافات



تفريغ نواتج التكثف ارفع الجهاز 10 سم على الأقل بواسطة الحوامل المقاومة للاهتزازات وقم بتركيب أنبوبي تصريف المكثفات على الفتحات الموجودة أسفل قاعدة الجهاز

راجع الدليل عبر الإنترنت لمزيد من التفاصيل على احتياطات التركيب وتوصيلات المياه.

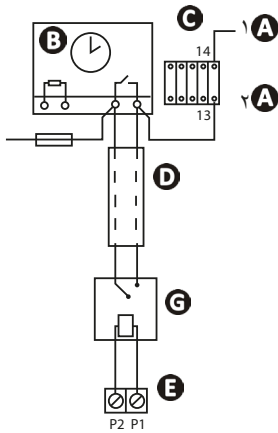




- اقطع التيار الكهربائي قبل التعامل داخل الجهاز (خطر حدوث صدمة كهربائية). قطع التيار الكهربائي يجب أن يتم بحيث يمكن دائما التحقق، من أي نقطة تصل إليها، أن التيار الكهربائي لا يزال مقطوعا. إذا لم يكن هذا ممكنا، يجب عليك توفير فصل التيار مع نظام قفل.
- وحده الفني المؤهل الخبير هو المخول لتنفيذ توصيل الأسلاك في الجهاز أو استبدال كابل الطاقة.
- يجب التأكد من إحكام ربط مسامير الأقطاب (خطر حدوث حريق). براغي الأقطاب غير المشدودة جيدا تلغي الضمان.
- يجب عدم فصل التيار الكهربائي أثناء تشغيل الجهاز. في حالة انقطاع التيار الكهربائي، انتظر دقيقة واحدة قبل إعادة التيار.



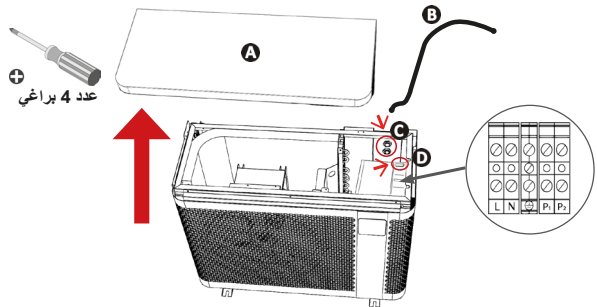
توصيل أولوية التدفئة



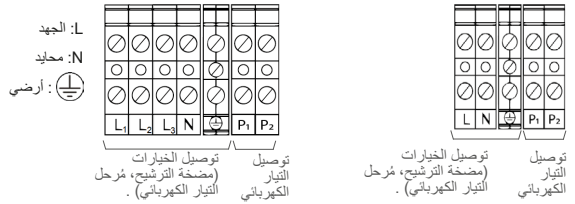
- 1 **A** - 2: توصيل الكهرياء لملف مفتاح تلامس لمضخة الترشيح
- B**: ساعة الترشيح
- C**: مفتاح (ثنائي القطب) لمضخة الترشيح
- D**: كابل منفصل لوظيفة «أولوية التسخين» (غير مُباع)
- E**: قطب مضخة التدفئة
- F**: منصرهر
- G**: مُرحل اتصال جاف / 230 فولطاً (غير مُباع)

قم بتوصيل الوحدة بالتيار الكهربائي وبالمحطات

افتح التوحة العليا واسحبها **A** بواسطة مفك براغي (4 براغي) للوصول إلى قطب الكهرياء **B**. أدخل كابل الكهرياء في إحدى وصلات الحشو **C** خلف الجهاز. قم بتثبيت كابل الكهرياء بأن تدخله عبر رابط الكابل **D**.



قم بتوصيل كابل الكهرياء بقطب الكهرياء داخل الجهاز كما يلي.



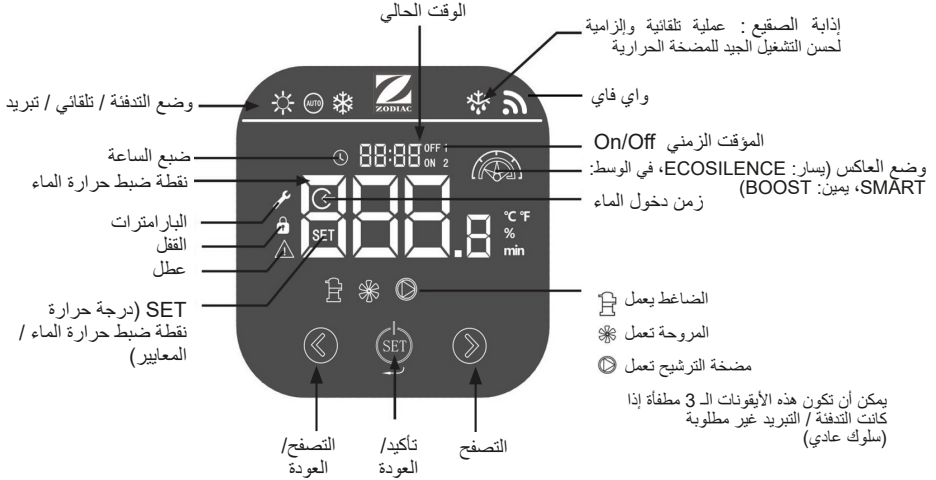
قطب لتوصيل الكهرياء ثلاثية الطور

قطب لتوصيل الكهرياء أحادية الطور

توصيل الكابلات وحمايتها

حماية مغناطيسية حرارية (منحنى D)	قُطر الكابل*	الشدة القصوى	التيار الكهربائي	الطرز
16 A	RO2V 3x2,5 مم مربع	8	240 - 220 فولت طور 1 50 - 60 هرتز	MD3
16 A		9		MD4
16 A		13		MD5
20 A	RO2V 3x4 مم مربع	16	240 - 220 فولت طور 1 50 - 60 هرتز	MD6
20 A		19		MD8
25 A		20		MD9
32 A	RO2V 3x6 مم مربع	30		MD12
10 A	RO2V 5x2,5 مم مربع	8	400 - 380 فولت طور 3 50 - 60 هرتز	TD8
		9		TD9
16 A	RO2V 5x4 مم مربع	12		TD12

* مقطع عرضي للكابل مناسب للكابلات حتى 20 أمتر. كابلات أطول من ذلك، استشر فني كهرياء..



الأيقونات

الوصف	الوضعية		
التشغيل على شدة منخفضة لمزيد من التوفير في الطاقة والحد الأدنى من الضوضاء. مثالي للمحافظة على درجة الحرارة عندما تكون درجة حرارة الهواء الخارجي مرتفعة.	ECOSILENCE	التدفئة	
ضبط تلقائي للشدة حسب الحاجة. التحويل تلقائيًا بين وضعي ECOSILENCE و BOOST.	SMART		
التشغيل على الشدة القصوى من أجل تدفئة سريعة. مثالي في بداية الموسم لرفع درجة الحرارة أو المحافظة عليها عندما يكون الهواء الخارجي باردًا.	BOOST		
تختار المضخة الحرارية تلقائيًا بين وضع التشغيل المناسب بشكل أكثر حسب درجة حرارة نقطة الضبط.	SMART	التدفئة / الانتعاش	
(وضع موصل به)			
تبريد حوض السباحة على شدة منخفضة لمزيد من التوفير في الطاقة والحد الأدنى من الضوضاء.	ECOSILENCE	الانتعاش	
ضبط تلقائي للشدة حسب الحاجة. التحويل تلقائيًا بين وضعي ECOSILENCE و BOOST.	SMART		
تبريد حوض السباحة على الشدة القصوى من أجل تبريد سريع.	BOOST		



قفل / فك قفل
لوحة المفاتيح



3 ثوان

ضبط الساعة



اضغط لمدة 1 ثانية للتأكيد والعودة إلى الشاشة الرئيسية.



اضغط للتعديل.



اضغط من أجل التأكيد. اضغط على SET لضبط الدقائق.



اضغط لضبط الساعات



اضغط مرتين
يومض.

ضبط نقطة ضبط درجة الحرارة



درجة الحرارة الموصى بها: 28 °C



قم بتعديل درجة الحرارة. تظهر أيقونة وضع التشغيل.

تأكد أن الضاغط يعمل:
تظهر أيقونة وضع التشغيل.



فك قفل لوحة المفاتيح (3 ثوان)

اختيار أوضاع التشغيل



اضغط من أجل التأكيد.
اضغط لمدة ثانيتين لبدء التشغيل.



قم بالتغلب بين الأوضاع المتاحة.



فك قفل لوحة المفاتيح (3 ثوان). ثم،
اضغط على SET.

المؤشر  يظهر.

يوجد في المضخة الحرارية 4 أوضاع
لتشغيل التدفئة / التبريد لضبط سرعة
تشغيلها حسب الشدة المطلوبة وحسب
الوضع المختار:
• وضع «BOOST»
• وضع «SMART»
• وضع «ECOSILENCE»
• وضع «Auto» (يوصى به)

قم بإيقاف تشغيل المضخة الحرارية



اضغط مرتين لتشغيل الضاغط.



تخفي الأيقونة عندما لا يعمل
الضاغط.



اضغط لمدة ثانيتين فتتوقف
المضخة بعد عدة دقائق.



فك قفل لوحة المفاتيح (3 ثوان).

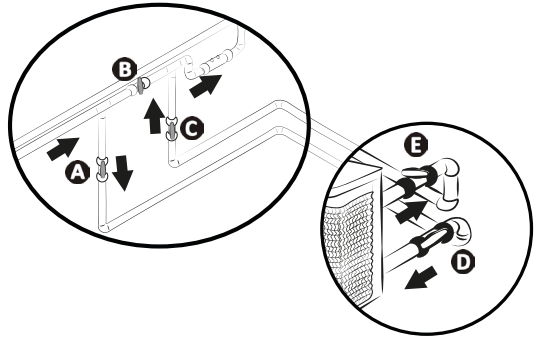
راجع الدليل عبر الإنترنت لمزيد من التفاصيل عن
أوضاع التشغيل والمؤقتات الزمنية.






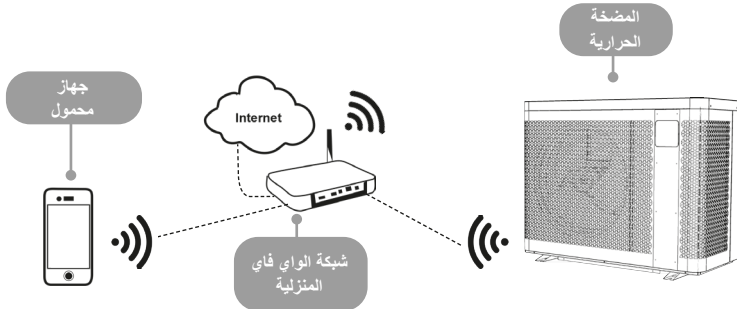
فتح دائرة الماء

⚠ انتبه: الضبط غير السليم لصمام التحويل قد يؤدي إلى حدوث خلل بالمضخة الحرارية.



- أغلق الصمام B تدريجيًا.
- افتح بالكامل الصمامات A و C و D. و افتح الصمام E بمقدار النصف (سوف يتم تفريغ الهواء المتراكم في المكثف ودائرة الترشيح). في حالة عدم وجود الصمامين D و E، افتح الصمام A بشكل كامل وأغلق الصمام C حتى النصف.
- وصّل المضخة الحرارية بالتيار الكهربائي.
- إذا كانت المضخة الحرارية في وضع الاستعداد، اضغط على  لمدة ثلاث ثوان: اضبط الساعة واختر وضع التشغيل.
- اضبط درجة الحرارة المطلوبة.

توصيل بالتطبيق Fluidra Pool



- يمكن التحكم في المضخة الحرارية عن بُعد، من خلال هاتف ذكي أو جهاز لوحي، عن طريق التطبيق Fluidra Pool المتوفر على أنظمة التشغيل iOS و Android. قبل البدء في التوصيل بالتطبيق Fluidra Pool، احرص على:
- استخدام هاتف ذكي أو جهاز لوحي متوافق مع الواي فاي.
 - استخدام شبكة واي فاي مع إشارة قوية إلى حد ما للاتصال بالمضخة الحرارية: يجب التقاط إشارة الواي فاي في المكان الذي يتم استخدام الجهاز فيه. إذا لم يكن الحال كذلك، يجب توفير حل تقني لتقوية الإشارة الموجودة.
 - ابق بالقرب من الجهاز وليكن معك كلمة المرور الخاصة بشبكة الواي فاي المنزلية.

افتح التطبيق واتبع الخطوات المبينة في التطبيق لإضافة المضخة الحرارية.

« SET » تومض



قم بتحميل التطبيق Fluidra Pool (رمز الاستجابة السريع QR خلف الجهاز)



التشئية



وضع غطاء التشئية	قم بتفريغ الماء من المكثف لتجنب خطر الصقيع	افتح الصمام B. وأغلق الصمامين A و C وافتح الصمامين D و E (إذا لزم الأمر)	افصل التيار الكهربائي لمدة 3 دقائق على الأقل	 اضغط مع الاستمرار لمدة ثانيتين لإيقاف الجهاز
<ul style="list-style-type: none"> • في حالة فترة تشئية كاملة لحوض السباحة (إيقاف كامل لنظام الترشيح، تصفية دورة الترشيح، أو إفراغ حوض السباحة): أعد تركيب الموصلين بمقدار لفة لتجنب دخول أي أجسام غريبة في المكثف. • في حالة التشئية للمضخة الحرارية وحدها فقط (إيقاف التدفئة فقط، مع استمرار الترشيح في العمل): لا تقم بربط الموصلات ولكن أضف 2 سداة (مباعة) على مداخل ومخارج ماء المكثف. • ضع غطاء التشئية (المُبَاع) على المضخة الحرارية مع تمرير توصيلات المياه من الفتحة المخصصة لهذا الغرض. ليس من الضروري فصل توصيلات المياه والكهرباء. 				

- التشئية أساسية لتجنب أي توقف للمكثف بسبب الصقيع (الصقيع بدون التشئية غير مضمون في الضمان).
- لتجنب إحقاق الضرر بالجهاز مع التكتيف، ينبغي عدم تغطيته بالكامل واستخدام غطاء التشئية المُبَاع.



الصيانة



<ul style="list-style-type: none"> • تأكد أن شبكة التهوية غير مسدودة بأجسام غريبة. • قم بتنظيف المُبخِر بواسطة فرشاة ناعمة ورشاش ماء نقي (افصل كابل الكهرباء). • قم بتنظيف أنبوب التخلص من نواتج التكتيف للتخلص من الشوائب التي يمكن أن تسده. • تأكد أن شبكة التهوية في صندوق التبديل نظيفة. • لا تستخدم رشاشًا بضغط عالٍ. لا ترش باستخدام ماء الأمطار أو الماء المتسخ أو الماء الذي يحتوي كميات من المعادن. • نظّف الجهاز من الخارج؛ لا تستخدم منتجات تحتوي على مذيبات. يمكنك استخدام مجموعة أدوات التنظيف الخاصة كملحق: الـ PAC NET.
--


- يجب عدم فصل التيار الكهربائي أثناء تشغيل الجهاز. في حالة انقطاع التيار الكهربائي، انتظر دقيقة واحدة قبل إعادة التيار للجهاز.
- قبل القيام بأي عملية صيانة أو إصلاح عطل أو إصلاح، يوصى بإنهاء تنشيط الاتصال بالواي فاي من المودم لتجنب أي خطر للتحكم في الجهاز عن بُعد.
- يوصى بإجراء الصيانة العامة للجهاز مرة واحدة على الأقل سنويًا لضمان التشغيل الجيد، والمحافظة على مستويات أدائه وربما تجنب بعض الأعطال المحتملة. تتم هذه العمليات على نفقة المستخدم بواسطة فني.



راجع الدليل عبر الإنترنت لمزيد من التفاصيل عن تعليمات السلامة المتعلقة بمسائل التبريد R32 وعن أعمال الصيانة التي يجب القيام بها بواسطة فني مؤهل.





- قم بالاتصال بالوكيل، قم بهذه الاختبارات البسيطة في حالة وجود مشكلة. إذا لم يتم حل المشكلة، اتصل بالوكيل.
-  يجب أن يتم تنفيذ الإجراءات بواسطة فني مؤهل فقط.

سلوكيات الجهاز

<ul style="list-style-type: none"> • عندما يكون تدفق الماء منعماً أو غير كافٍ، يتوقف الجهاز: تحقق من أن الماء ينساب بشكل صحيح في الجهاز وأن التوصيلات الهيدروليكية سليمة. • يتوقف الجهاز عندما تهبط درجة الحرارة الخارجية لأقل من -7° مئوية. 	<p>الجهاز لا يبدأ في التسخين على الفور</p>
<ul style="list-style-type: none"> • للتحقق من أن الماء لا يأتي من تسريب في دورة حوض السباحة من الجهاز، أطفئ الجهاز وقم بتشغيل مضخة الترشيح حتى يمر الماء داخل الجهاز. إذا استمر انسياب المياه عبر أنابيب تفريغ نواتج التكثيف، فهناك تسرب للماء في المضخة الحرارية، يرجى الاتصال بالوكيل. 	<p>الجهاز ينبعث منه الماء</p>
<ul style="list-style-type: none"> • سوف ينتقل الجهاز قريباً إلى دورة إذابة الصقيع من أجل إذابة الجليد. • إذا لم يتمكن الجهاز من إذابة صقيع المبخز، فسوف يتوقف من تلقاء نفسه؛ وهو ما يعني أن درجة الحرارة الخارجية منخفضة جداً (أقل من -7- درجة مئوية). 	<p>المبخز متجمد</p>
<ul style="list-style-type: none"> • إذا لم يكن الجهاز في دورة إذابة الصقيع، فإن هذا الأمر غير طبيعي. أطفئ الجهاز وافصله على الفور واتصل بالوكيل. 	<p>الجهاز "يخرج دخاناً"</p>
<ul style="list-style-type: none"> •  إذا لم تكن الشاشة تعمل، افحص جهد التيار والمنصهر F1. • عندما لا يوجد تدفق للماء أو يكون غير كافٍ، تتوقف المضخة الحرارية: تحقق من أن الماء يمر بشكل صحيح في المضخة الحرارية. 	<p>الجهاز لا يعمل</p>
<ul style="list-style-type: none"> • إذا كانت درجة الحرارة الخارجية منخفضة، فسوف تقوم المضخة الحرارية بدورات إذابة صقيع. • لا يستطيع الجهاز التقاط ما يكفي من السرعات الحرارية بسبب انسداد المبخز. قم بتنظيفه لاستعادة أدائه. 	<p>المروحة تعمل لكن الضاغط يتوقف من وقت لآخر بدون رسالة خطأ</p>
<ul style="list-style-type: none"> • وضع التشغيل ليس قوياً بما فيه الكفاية. انتقل إلى وضع « BOOST » واضبط الترشيح على الوضع 24 / 24 يدوياً حتى ترتفع درجة الحرارة. • تأكد من عدم عرقلة صمام الماء التلقائي في الوضع المفتوح؛ مما يؤدي إلى جلب الماء البارد باستمرار إلى حوض السباحة ومنع ارتفاع لزوجة الحرارة. • يوجد فقدان كبير في الحرارة لأن الهواء بارد. قم بتركيب غطاء عازل للحرارة على حوض السباحة. • لا يستطيع الجهاز التقاط ما يكفي من السرعات الحرارية بسبب انسداد المبخز. قم بتنظيفه لاستعادة أدائه. •  تأكد أن حجم الجهاز مناسب لحوض الاستحمام هذا ولينته. 	<p>الجهاز يعمل لكن درجة حرارة الماء لا ترتفع.</p>
<ul style="list-style-type: none"> •  تأكد أن قاطع الدائرة الكهربائية ذو مقاس صحيح وأن مقطع كابل التيار الكهربائي المستخدم صحيح. •  الجهد الكهربائي منخفض للغاية؛ اتصل بمورد الكهرباء. 	<p>يقوم الجهاز بإطلاق قاطع الدائرة</p>

راجع الدليل عبر الإنترنت لمزيد من التفاصيل عن عرض أكواد الأعطال على الشاشة، وعن سلوك لالدائرة المطبوعة وعلى الرسم التخطيطي لتوصيل الكابلات.





الأداء: الهواء عند 26 درجة مئوية/ الماء عند 26 درجة مئوية/ الرطوبة بنسبة 80%

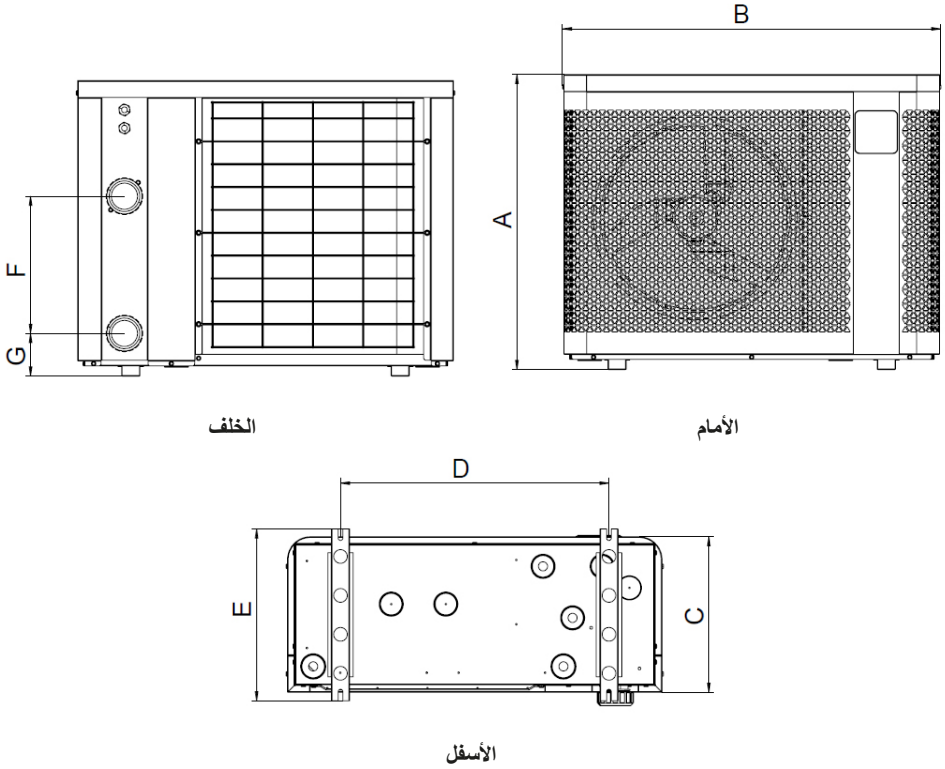
MD8	MD6	MD5	MD4	MD3		
7.5 - 19.0	2.5 - 15.0	2.4 - 13.0	2.3 - 9.5	2 - 7.0	كيلو وات	استعادة القدرة (السرعة القصوى - دقيقة)
0.6 - 3.5	0.15 - 2.5	0.1 - 2.0	0.2 - 1.4	0.15 - 1.1	كيلو وات	القدرة المستهلكة (السرعة القصوى - دقيقة)
12.5 - 5.6	16.3 - 6.0	16.4 - 6.5	13.5 - 6.7	13.4 - 6.5		متوسط معامل الأداء (السرعة القصوى - دقيقة)
TD12	TD9	TD8	MD12	MD9		
9.2 - 31.0	6.7 - 24.0	7.5 - 19.0	9.2 - 31.0	6.7 - 24.0	كيلو وات	استعادة القدرة (السرعة القصوى - دقيقة)
0.7 - 5.6	0.5 - 4.5	0.6 - 3.5	0.7 - 5.6	0.5 - 4.5	كيلو وات	القدرة المستهلكة (السرعة القصوى - دقيقة)
13.2 - 5.4	13.7 - 5.4	12.5 - 5.6	13.2 - 5.4	13.7 - 5.4		متوسط معامل الأداء (السرعة القصوى - دقيقة)

المواصفات التقنية

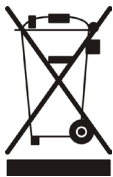
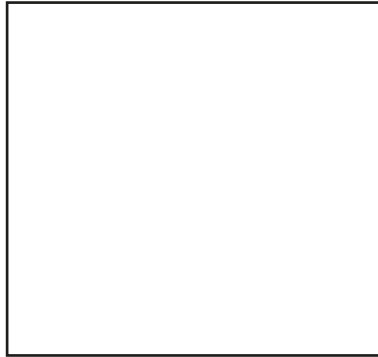
من -7 إلى 43 درجة مئوية	الهواء	درجات حرارة التشغيل
في وضع "التدفئة": 15 إلى 40 درجة مئوية في وضع "التبريد": 8 إلى 28 درجة مئوية	الماء	
من 0.5 إلى 42 بار (من 0.05 إلى 4.2 ميجال باسكال)	مادة التبريد	ضغط التشغيل
من 0 إلى 2 بار (من 0 إلى 0.2 ميجال باسكال)	الماء	
220 - 240 فولطاً / أحادي الطور / 50-60 هرتز 380 - 400 فولطاً / ثلاثي الطور / 50 - 60 هرتز (فقط TD8, TD9, TD12)		التيار الكهربائي
± 6% (أثناء التشغيل)		تغير الجهد المقبول
عدد 2 وصلة بولي فينيل كلوريد، نصف تجميع قُطر 50		توصيلات المياه
R32		نوع سائل التبريد
IPX4		مؤشر الحماية
2.497 - 2.400	جيجاهرتز	نطاقات التردد
+19.5	ديسبيل	شدة انبعاث ترددات الراديو
في الخارج		مكان التركيب

MD8	MD6	MD5	MD4	MD3		
14	10.7	8.4	6	4.7	A	الشدّة الممتصّة الاسمية
19	16	13	9	8	A	الشدّة الاسمية القصوى
x 4 3		2,5 × 3			2مم	القطع الأدنى للكابل*
69	54-67	52-65		50-62	ديسيل	(أقل - أقصى) شدّة صوتية
38	23-36	21-34		19-31	ديسيل	الشدّة الصوتية على بُعد 10 أمتار (أدنى - أقصى)
7	6	5	4	3	م ³ /ساعة	دفع الماء الموصى به
1.0	0.7	0.6	0.45	0.3	كجم	شحن سائل التبريد
0.68	0.47	0.41	0.30	0.20	المكافئ بالطن من ثاني أكسيد الكربون	
70	56	49.5	44.5	42.5	كجم	الوزن التقريبي
TD12	TD9	TD8	MD12	MD9		
9.6	7.4	5.2	23	15.3	A	الشدّة الممتصّة الاسمية
12	9	8	30	20	A	الشدّة الاسمية القصوى
5 x 4	5 x 2.5		3 x 6	3 x 4	2مم	القطع الأدنى للكابل*
74	71	69	74	71	ديسيل	(أقل - أقصى) شدّة صوتية
43	40	38	43	40	ديسيل	الشدّة الصوتية على بُعد 10 أمتار (أدنى - أقصى)
11	8	7	11	8	م ³ /ساعة	دفع الماء الموصى به
1,55	1,25	1,0	1,55	1,25	كجم	شحن سائل التبريد
1,05	0,84	0,68	1,05	0,84	المكافئ بالطن من ثاني أكسيد الكربون	
103	92	73,5	107	88,5	كجم	الوزن التقريبي

* قيم استرشادية لطول ٢٠ مترًا كحد لأقصى (اساس الحساب: 100-NFC)، ويجب التحقق منها وتكييفها وفقًا لظروف التركيب والمعايير في بلد التركيب.



G	F	E	D	C	B	A	
93	300	375	590	339.5	823	646	MD3
103	260						MD4
93	330	395	593	359	906	746	MD5
	350		790		1103		MD6
	367	545	743	509.5	1133	846	MD8
	430						790
							MD12
							TD8
							TD9
							TD12



Renseignez-vous auprès de votre revendeur sur les modalités de recyclage • Contact your retailer for recycling information • Ihr Händler kann Sie über die Recyclingbedingungen informieren • Vraag uw dealer om informatie over de wijze van recycling • Consulte con su distribuidor las modalidades de reciclaje • Informe-se junto do seu revendedor sobre as modalidades de reciclagem • Informarsi presso il proprio rivenditore sulle modalità di riciclaggio • Απευθυνθείτε στον μεταπωλητή σας για τις δυνατότητες ανακύκλωσης • Hör efter hos återförsäljaren om hur produkten ska återvinnas • Az újrahaznosítási módokat illetően tájékozódjon a viszonteladónál • Należy uzyskać odpowiednie informacje dotyczące recyklingu u sprzedawcy • Информирайте се при Вашия търговец за условията за рециклиране • Zeptejte se svého prodejce na recyklaci • Informujte sa u svojho predajcu o spôsoboch recyklácie • استعلم من الوكيل عن طرق إعادة التدوير.

A Fluidra Brand

Zodiac Pool Care Europe
ZA de la Balme - BP 42
31450 BELBERAUD
FRANCE
www.zodiac.com

©2025 Fluidra. All rights reserved. ZODIAC® is a registered trademark of Zodiac Pool Care Europe, S.A.S.U., used under license. All other trademarks are the property of their respective owners. Apple and the Apple logo are trademarks of Apple, Inc., registered in the U.S. and other countries. App Store is a service mark of Apple, Inc., registered in the U.S. and other countries. Google Play and the Google Play logo are trademarks of Google LLC.

