

LUMIPLUS FLEXI RGB WIRELESS SPOTLIGHT  
POINT DE LUMIÈRE FLEXI RGB WIRELESS  
PUNTO DE LUZ LUMIPLUS FLEXI RGB WIRELESS  
PUNTO DI LUCE LUMIPLUS FLEXI RGB WIRELESS  
LEUCHTE LUMIPLUS FLEXI RGB WIRELESS  
PONTO DE LUZ LUMIPLUS FLEXI RGB WIRELESS  
ΑΣΥΡΜΑΤΟΣ ΠΡΟΒΟΛΕΑΣ LUMIPLUS FLEXI RGB

LUMIPLUS FLEXI RGB الضوء الكشاف اللاسلكي



INSTALLATION AND MAINTENANCE MANUAL  
MANUEL D'INSTALLATION ET D'ENTRETIEN  
MANUAL DE INSTALACIÓN Y MANTENIMIENTO  
MANUALE DI INSTALLAZIONE E MANUTENZIONE  
EINBAU-UND BETRIEBSANLEITUNG  
MANUAL DE INSTRUÇÕES E MANUTENÇÃO  
ΕΓΧΕΙΡΙΔΙΟ ΕΓΚΑΤΑΣΤΑΣΗΣ ΚΑΙ ΣΥΝΤΗΡΗΣΗΣ

دليل التركيب والصيانة

ASTRALPOOL 

## ENGLISH

**IMPORTANT:** The instruction manual you are holding includes essential information on the safety measures to be implemented for installation and start-up. Therefore, the installer as well as the user must read the instructions before beginning installation and start-up.  
Keep this manual for future reference.

To achieve optimum performance of the LumiPlus Flexi, follow the instructions provided below:

### 1. VERIFY THE CONTENTS OF THE PACKING:

71205	71206	71207
<ul style="list-style-type: none"><li>- 1 Lumiplus Flexi RGB V1 Wireless</li><li>- 1 Bag of accessories: FlexiNiche cable gland, FlexiRapid cable gland, 1 seal, 1 O-ring seal, gasket, cable and mounting screws (1 for screwing the spotlight to the faceplate + 3 for screwing the cable gland)</li><li>- Warranty booklet</li><li>- Instruction manual</li></ul>	<ul style="list-style-type: none"><li>- 1 Lumiplus Flexi RGB V1 Wireless</li><li>- 1 LumiPlus Control Motion</li><li>-1 Bag of accessories: FlexiNiche cable gland, FlexiRapid cable gland, 1 seal, 1 O-ring seal, gasket, cable and mounting screws (1 for screwing the spotlight to the faceplate + 3 for screwing the cable gland)</li><li>- Warranty booklet</li><li>- Instruction manual</li></ul>	<ul style="list-style-type: none"><li>2 Lumiplus Flexi RGB V1 Wireless</li><li>- 1 Lumiplus Flexi RGB V1 Wireless</li><li>- 1 LumiPlus Control Motion</li><li>- 2 Bag of accessories: FlexiNiche cable gland, FlexiRapid cable gland, 1 seal, 1 O-ring seal, gasket, cable and mounting screws (1 for screwing the spotlight to the faceplate + 3 for screwing the cable gland)</li><li>- Warranty booklet</li><li>- Instruction manual</li></ul>

### 2. GENERAL CHARACTERISTICS:

LumiPlus Flexi has been designed to be used fully submerged in water. It is a Class III electric apparatus with very low safety voltage (**12 V with alternating current**). LumiPlus Flexi is class 116, in accordance with standard EN 50065. LumiPlus Flexi complies with IPX8 - 2 m.

Maximum installation depth: 0.4 meters from the surface of the water.

LumiPlus Flexi complies with international safety standards for lights, especially the EN 60598-2-18 standard: LIGHTS PART 2: SPECIFIC REQUIREMENTS SECTION 18 LIGHTS FOR SWIMMING POOLS AND SIMILAR APPLICATIONS.

The manufacturer is not responsible in any circumstances for assembly, installation or start-up of any electric components which have been inserted or handled at locations other than its own premises.

### 3. INSTALLATION:

• To correctly light a swimming pool we recommend you:

Install a LumiPlus Flexi V1 for every 20 m<sup>2</sup> of water surface.

Install a LumiPlus Flexi V2 for every 25 m<sup>2</sup> of water surface.

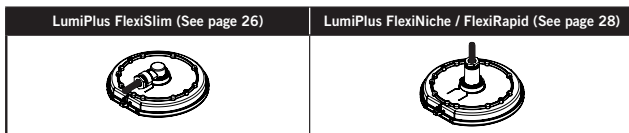
**Note:** Strongly recommended for pools in light colors. In pools with a dark or stainless steel finish, it is recommended to use more spotlights per m<sup>2</sup>.

- It is the responsibility of the fitter to ensure that the area around the connectors is completely watertight.
- The junction boxes should be placed at least 2 m from the edge of the pool or water facility.
- The 230/12 V transformer that feeds the LumiPlus Flexi should be installed at a distance of 3.5 m from the edge of pool or water facility.
- Cable ducts laid less than 3.5 m away from the edge of the pool must not be made of metal.
- The smallest cable cross-section that fits the LumiPlus Flexi is a 2 x 1 mm<sup>2</sup> H07RN-F.
- The largest cable cross-section that fits the LumiPlus Flexi is a 2 x 2,5 mm<sup>2</sup> H07RN-F.
- The largest cable that can be used for LumiPlus Flexi Niche and Flexi Rapid projectors is an H07RN-F with a cross-section of 2 x 2,5 mm<sup>2</sup>, whilst in the case of Flexi Slim projectors the largest cable that can be used is an H07RN-F with a cross-section of 2 x 1,5 mm<sup>2</sup>.
- Should the current H07RN-F cable have a cross-section of 2 x 4 mm<sup>2</sup> or 2 x 6 mm<sup>2</sup>, an underwater splice should be made. To ensure that the LumiPlus Flexi projector works properly, we recommend using AstralPool's underwater connection kit (code 32803).

#### ATTENTION

UNDER NO CIRCUMSTANCES SHOULD SCREWS OTHER THAN THOSE SUPPLIED BE USED FOR SCREWING THE LUMIPLUS FLEXI CABLE GLAND AS THEY COULD PIECE IT AND RESULT IN WATER GETTING INTO IT.

#### 4. ASSEMBLY:



A description is given below of how to connect the LumiPlus Flexi to the cable to ensure the connection area is water-tight. It is important to follow these steps:

1. Ensure that there is no voltage before handling any cable.
2. Put the O-ring seal in place.
3. Connect the cable to the spotlight and tighten the two screws.
4. Thread the cable through the cable gland seal nut.
5. Fit the cable gland to the body of the projector, as shown. Then screw in the three screws.
6. Ensure that the cable sleeve remains in place in the connection area and then tighten the cable gland using a wrench (6N.m).
7. Ensure that that cable is firmly tightened so that it does not work loose from the cable gland.
8. Once connected, the projector can be fitted to the pool (see faceplate manual).

#### 5. MAINTENANCE:

The LumiPlus Flexi does not require any maintenance. If you become aware that it is not working properly, please contact our customer service department.

**⚠ DO NOT ATTEMPT TO HANDLE THE INSIDE OF THE SPOTLIGHT AS THE PRODUCT WARRANTY WILL NO LONGER BE VALID.**

#### 6. CONTROL MOTION:

Operating frequency: 868 MHz

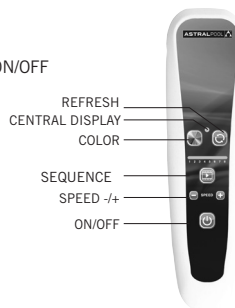
Range in the open field: 5 m

Batteries: 2 AAA-1.5 V batteries.

Control Motion has 6 buttons: COLOR, REFRESH, SEQUENCE, SPEED (-/+), ON/OFF

The main functions on the remote control are:

- COLOR: selects one of 12 standard colours available.
- REFRESH: recovers the colour/sequences
- SEQUENCE: selects one of the 8 sequences available.
- SPEED: selects one of the 8 speeds available.
- ON/OFF: switches the LumiPlus Flexi On and Off.



#### ATTENTION

**DO NOT PLACE HAND OVER TOP OF THE BUTTONS ON CONTROL MOTION**

#### 7. OPERATION:

Control Motion makes it possible to control the LumiPlus Flexi using a keyboard or movement.

To ensure optimal light response, place the Control Motion close to the LumiPlus Flexi. If you have more than one light source, place the device in the middle of the two to ensure optimal reception.

##### 7.1 Remote control

###### - Switching LumiPlus Flexi On

By pressing the ON/OFF button for a few seconds, the LumiPlus Flexi will turn On.

###### - Selecting colours

The COLOR button enables you to select one of the 12 available colours. Each time the button is pressed, the colour changes; when the last colour is reached, pressing again goes back to the first colour. The colour selected is displayed in the Central Display.

COLOUR N°	COLOUR
1	Red
2	Green
3	Blue
4	Yellow
5	Cyan
6	Magenta

COLOUR N°	COLOUR
7	Sky-blue
8	Pale violet
9	Orange
10	Pink
11	Emerald green
12	White

#### - Selecting sequences

The SEQUENCE button enables you to select one of the 8 available sequences. Each time the button is pressed, the sequence changes; when the last sequence is reached, pressing again goes back to the first sequence. All sequences work in cycles; when the last sequence is reached the cycle starts again.

The numbers of the sequences appear on the display numbered from 1 to 8.

SEQUENCE				ORDER OF COLOURS																	
Estival	Red	Green	Blue																		
Caroline	Cyan	Magenta	Yellow																		
Iris	Green	Esmerald green	Cyan	Sky-blue																	
Candy	Red	Orange	Green	Orange																	
Tropical	Red	Pink	Blue	Pink																	
Paradise	Red	Orange	Green	Cyan	Blue	Pink															
Abril	Pale violet	Magenta	Cyan	Yellow	White	Yellow	Cyan	Magenta													
Eleven	Red	Green	Blue	Yellow	Cyan	Magenta	Pale violet	Sky-blue	Orange	Pink	Esmerald green	White									

#### - Refresh button

In pools with more than one LumiPlus Flexi, this button is used to synchronise them.

If one of the LumiPlus Flexi fails to respond to the COLOR/SEQUENCE commands, press the REFRESH button on the LumiPlus Flexi and the last command will be sent so that it synchronises with the others.

#### - Selecting the speed of sequences

The +/- buttons enable you to select one of the eight sequences, ordered from the slowest to the fastest speed.

#### - Switching LumiPlus Flexi Off

The LumiPlus Flexi are turned off by pressing the ON/OFF button. The status (colour/sequence) of the LumiPlus Flexi is stored in the memory for the next time the system is switched on.

#### - Switching the remote control Off

The remote control automatically switches off in less than 60 seconds.

The LED display lights on the remote control only light up for a few seconds.

### 7.2 Control motion mode (see page 40)

When the control motion mode is switched on, the colours and sequences can be changed.

#### Changing the colour (Fig. A)

- Hold the remote control firmly without touching any of the buttons.
- Flick your wrist downwards.
- The change in colour will be displayed on the Central Display.

#### Changing the sequence (Fig. B)

- Hold the remote control firmly without touching any of the buttons.
- Flick you wrist form side to side.
- The change in sequence will be displayed on the Central Display.

## 8. CONTROL MOTION MAINTENANCE:

If the Central Display lights up in red without switching Off, this means the batteries are low. The battery case is on the back of the Control Motion unit; replace the old batteries with two new AAA 1.5 V ones.

## 9. WIRING:

In order to wire the system properly, a LumiPlus Flexi, transformer and the Control Motion unit will be needed (see page 40).

The transformer should be connected to a 230 V~ac power supply and the LumiPlus Flexi (12 V~ac) to the auxiliary winding.

It must be sized to supply the corresponding VA to each LumiPlus Flexi that is wired (see table on the back cover). For example, if you wish to control two 29 VA RGB V1 spotlights they must be wired in parallel to a transformer of at least 100 VA. The push button must be sized to withstand the power consumed by the number of spotlights in a facility.

For the LumiPlus Flexi to work properly, it must have a 12 V AC power supply. LumiPlus Flexi is supplied with a 2.5 meter 2 x 1 mm<sup>2</sup> H07RN-F cable. Should this be too short, it can be replaced by another cable (see page 31). Should the original cable be replaced or extended, a specific calculation must be made of the cross-sections for each installation to ensure a 12-volt power supply reaches the LumiPlus Flexi and to prevent voltage drops.

Alternatively, the system can be controlled using a simple NC push button, in which case there will be 14 function modes: seven set colours and seven different colour sequences. Each time the push button is pressed, the colour or sequence will change. By pressing for several seconds, the light becomes white.

## 10. TROUBLESHOOTING:

Problems	Usual causes	Solutions
The LumiPlus Flexi is not working	The LumiPlus Flexi does not have a power supply	Connect the LumiPlus Flexi to the power supply through a 12 V~ac safety transformer
The LumiPlus Flexi projects a different colour to that shown on the Control Motion Central Display	The LumiPlus Flexi do not receive information	1. Get close to the LumiPlus Flexi before sending a command
Two LumiPlus Flexi project different colours		2. Do not cover the antenna with your hand
Using the control motion mode, the LumiPlus Flexi does not work		3. Press the REFRESH button
Control Motion is not responding	The Control Motion batteries are low	Change the batteries

## 11. SAFETY WARNINGS:

- The luminaire should be fitted in such a way that it is not possible to stare at it from closer than 2.36m (only in the case of RGB LED models).
- If the cable or wiring of this luminaire becomes damaged, it may only be replaced by the manufacturer or one of its service engineers, or a person with a similar qualification, in order to prevent any risks.
- The light source of this luminaire may only be replaced by the manufacturer, one of its service engineers or a person with a similar qualification.
- Avoid making contact with the electric voltage.
- Comply with the current standards regarding accident prevention.
- In this regard, the IEC 364-7-702 standards must be observed: **WIRING IN BUILDINGS SPECIAL WIRING SWIMMING POOLS.**
- All maintenance operations should be performed with the LumiPlus Flexi disconnected from the mains.
- Do not handle with wet feet.
- LumiPlus Flexi is designed **FOR USE UNDERWATER ONLY** and may **ONLY BE RUN WITH A SAFETY TRANSFORMER.**
- LumiPlus Flexi withstands to the treatments of swimming pool described next as long as the values of concentration do not surpass the following values:

TYPE OF TREATMENT	CONCENTRATION IN WATER
Chlorine	2 mg/l
Bromine	5 mg/l
Salt electrolysis (Na Cl)	6 g/l

**Attention :** Please note that the Ph of pool water always must be between 7.2 and 7.6.

**IMPORTANT:** le manuel d'instructions que vous avez entre les mains contient des informations de première importance sur les mesures de sécurité à adopter au moment de l'installation et de la mise en service. Il est par conséquent indispensable que l'installateur et l'utilisateur lisent attentivement les instructions avant de commencer le montage et la mise en marche. Conservez ce manuel en vue de futures consultations sur le fonctionnement de cet appareil.

Pour optimiser le rendement du LumiPlus Flexi, il est recommandé de bien suivre les instructions qui vous sont données ci-dessous:

## 1. BIEN VÉRIFIER LE CONTENU DE L'EMBALLAGE:

71205	71206	71207
<ul style="list-style-type: none"><li>- 1 LumiPlus Flexi RGB V1 Wireless</li><li>- 1 Sachet accessoires: presse-étoupe Flexiniche, presse-étoupe FlexiRapid, 1 joint, 1 joint torique d'étanchéité, rondelle, câble et vis de fixation (1 vis de fixation du point de lumière à l'enjoliveur + 3 vis de fixation au presse-étoupe)</li><li>- Notice de garantie</li><li>- Manuel d'installation</li></ul>	<ul style="list-style-type: none"><li>- 1 LumiPlus Flexi RGB V1 Wireless</li><li>- 1 LumiPlus Control Motion</li><li>- 1 Sachet accessoires : presse-étoupe Flexiniche, presse-étoupe FlexiRapid, 1 joint, 1 joint torique d'étanchéité, rondelle, câble et vis de fixation (1 vis de fixation du point de lumière à l'enjoliveur + 3 vis de fixation au presse-étoupe)</li><li>- Notice de garantie</li><li>- Manuel d'installation</li></ul>	<ul style="list-style-type: none"><li>- 2 LumiPlus Flexi RGB V1 Wireless</li><li>- 1 LumiPlus Control Motion</li><li>- 2 Sachet accessoires : presse-étoupe Flexiniche, presse-étoupe FlexiRapid, 1 joint, 1 joint torique d'étanchéité, rondelle, câble et vis de fixation (1 vis de fixation du point de lumière à l'enjoliveur + 3 vis de fixation au presse-étoupe)</li><li>- Notice de garantie</li><li>- Manuel d'installation</li></ul>

## 2. CARACTÉRISTIQUES GÉNÉRALES:

LumiPlus Flexi a été conçu pour être utilisé entièrement submergé dans l'eau. Il s'agit d'un appareil électrique de classe III avec une tension de sécurité très basse (**12V avec courant alternatif**). Selon la norme EN 50065, il s'agit d'une point de lumière classe 116.

LumiPlus Flexi est conforme au degré de protection IPX8 - 2 m.

Profondeur maximale d'installation : 0,4 m par rapport à la surface de l'eau.

LumiPlus Flexi est conforme aux normes internationales de sécurité des luminaires, en particulier à la norme EN 60598-2-18: LUMINAIRES 2ème PARTIE: CONDITIONS NÉCESSAIRES PARTICULIÈRES SECTION 18 LUMINAIRES POUR PISCINES ET APPLICATIONS SIMILAIRES.

## 3. INSTALLATION:

• Afin d'éclairer correctement une piscine, il est recommandé de:

Installer un LumiPlus Flexi V1 pour 20 m<sup>2</sup> de surface d'eau.

Installer un LumiPlus Flexi V2 pour 25 m<sup>2</sup> de surface d'eau.

**Remarque:** Recommandations valables pour des piscines de couleur claire. Dans les piscines de couleur sombre ou en acier inoxydable, il est recommandé de reconsidérer à la hausse les points de lumière par m<sup>2</sup>.

• L'installateur est responsable de l'étanchéité parfaite de la zone des connecteurs.

• Les boîtes de connexion doivent être placées à une distance minimum de 2 m du bord de la piscine ou de l'installation aquatique.

• Le transformateur de 230/12 V qui alimente LumiPlus Flexi doit être situé à une distance de 3,5 m du bord de la piscine ou de l'installation aquatique.

• Pour les canalisations installées à moins de 3,5 m du bord de la piscine, tout revêtement ou gaine métallique sont interdits.

• La section minimum de câble permise par LumiPlus Flexi est de 2 x 1 mm<sup>2</sup> H07RN-F.

• La section maximum de câble permise par LumiPlus Flexi est de 2 x 2,5 mm<sup>2</sup> H07RN-F.

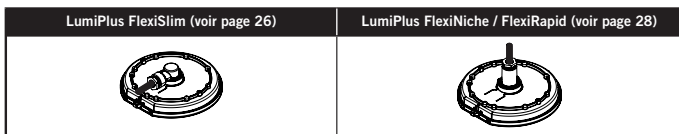
• La section maximale de câble LumiPlus Flexi Nicho et Flexi Rapid est de 2 x 2,5 mm<sup>2</sup> H07RN-F; pour ce qui est du Flexi Slim, la section maximale de câble permise est de 2 x 1,5 mm<sup>2</sup> H07RN-F.

• Si la section du câble existant est de 2x4mm<sup>2</sup> H07RN-F à 2x6mm<sup>2</sup> H07RN-F, il conviendra de réaliser un raccordement sous l'eau. Pour garantir le correct fonctionnement du projet LumiPlus Flexi, nous conseillons d'utiliser le kit de branchement subaquatique code AstralPool 32803.

### ATTENTION

IL EST STRICTEMENT INTERDIT D'UTILISER UN TOURNEVIS AUTRE QUE CELUI FOURNI POUR FIXER LE PRESSE-ÉTOUPE DE LUMIPLUS FLEXI AFIN D'ÉVITER SA PERFORATION ET DE PROVOQUER AINSI UNE FUITE D'EAU

#### 4. MONTAGE:



Les instructions de montage ci-dessous permettent de connecter LumiPLUS Flexi au câble pour garantir l'étanchéité dans la zone de connexions. Il est important de respecter les étapes suivantes :

1. S'assurer de l'absence de courant électrique avant toute manipulation de câble.
2. Placer le joint torique d'étanchéité.
3. Brancher le câble au point de lumière et fixer les deux vis.
4. Passer le câble dans l'ensemble du presse-étoupe.
5. Fixer le presse-étoupe au projecteur, en respectant la zone marquée. Puis fixer les trois vis.
6. Rentrer le caoutchouc du câble à l'intérieur de la zone de connexion pour visser ensuite le presse-étoupe avec une clé (6N.m).
7. S'assurer que le câble soit bien fixé et qu'il ne sorte pas du presse-étoupe.
8. Une fois connecté, fixer le projecteur à la piscine (voir manuel d'installation de l'enjoliveur).

#### 5. ENTRETIEN:

LumiPlusFlexi ne requiert pas d'entretien particulier, en cas de dysfonctionnement, veuillez contacter notre Service Client.

**⚠ IL EST INTERDIT D'ACCÉDER AU BOÎTIER INTÉRIEUR DU PROJECTEUR SOUS PEINE DE PERDRE TOUTE GARANTIE DU PRODUIT.**

#### 6. CONTROL MOTION:

Fréquence de fonctionnement : 868 MHz

Portée à l'air libre: 5m.

Batterie: 2 piles AAA-1, 5V.

Control Motion dispose de 6 touches : COLOR, REFRESH, SEQUENCE, SPEED (-/+), ON/OFF

Les principales fonctions de la télécommande sont les suivantes:

- Sélectionner COLOR: 12 couleurs fixes disponibles.
- REFRESH des couleurs/séquences.
- Sélectionnez SEQUENCE: 8 séquences disponibles.
- SPEED pour sélectionner la cadence de sélection: 8 vitesses disponibles
- Marche/arrêt de LumiPlus Flexi.



#### ATTENTION

**NE PAS RECOUVRIR AVEC LA MAIN LA PARTIE SUPERIEURE DES BOUTONS DE CONTROL MOTION**

#### 7. FONCTIONNEMENT:

Control Motion peut contrôler le/s LumiPlus Flexi grâce au clavier ou par le mouvement.

Pour que le point de lumière réponde à Control Motion, il faut se rapprocher de LumiPlus Flexi. Si vous détenez plus d'un point de lumière, mettez-vous au milieu des deux pour assurer une réception optimale.

##### 7.1 Clavier de contrôle

- Mise en marche des LumiPlus Flexi

Appuyer pendant un moment sur le bouton ON/OFF des LumiPlus Flexi de lumière.

- Sélectionner la couleur

La touche COLOR permet de sélectionner 1 couleur sur les 12 mises à disposition par le système. À chaque pression, on obtient un changement de couleur, arrivé à la dernière couleur, une seule pression permet de revenir à la première. Il est possible de visualiser la couleur choisie sur l'indicateur central.

COULEUR N°	COULEUR
1	Rouge
2	Vert
3	Bleu
4	Jaune
5	Cyan
6	Magenta

COULEUR N°	COULEUR
7	Céleste
8	Violet Pâle
9	Orange
10	Rose
11	Vert Émeraude
12	Blanc

#### - Sélectionner la séquence

La touche SEQUENCE permet de sélectionner 1 séquence sur les 8 séquences mises à disposition par le système. À chaque pression, on obtient un changement de séquence, arrivé à la dernière séquence, une seule pression permet de revenir à la première. Toutes les séquences sont cycliques, une fois arrivé à la dernière séquence, le cycle reprend au début.

Le numéro de séquence s'illumine grâce aux indicateurs de 1 à 8.

SEQUENCE	ORDRE OF COULEURS												
Estival	Rouge	Vert	Bleu										
Caroline	Cyan	Magenta	Jaune										
Iris	Vert	Vert Émeraude	Cyan	Sky-blue	Bleu	Céleste	Cyan	Vert Émeraude					
Candy	Rouge	Orange	Vert	Orange									
Tropical	Rouge	Rose	Bleu	Rose									
Paradise	Rouge	Orange	Blanc	Cyan	Bleu	Rose							
Abril	Violet Pâle	Magenta	Cyan	Jaune	Blanc	Jaune	Cyan	Magenta					
Eleven	Rouge	Vert	Bleu	Jaune	Cyan	Magenta	Violet Pâle	Céleste	Orange	Rose	Vert Émeraude	Blanc	

#### - Bouton Actualiser

Ce système sert à synchroniser plusieurs LumiPlus Flexi dans les piscines dotées de plus d'une LumiPlus Flexi.

Si l'une des LumiPlus Flexi ne répond pas à la commande COULEUR/SEQUENCE, il convient de se rapprocher de LumiPlus Flexi et d'appuyer sur le bouton « Actualiser », ce qui enverra la commande définitive et permettra de synchroniser LumiPlus Flexi avec le reste des LumiPlus Flexi.

#### - Sélection de la vitesse de séquençage

Les touches -/+ permettent de sélectionner 1 cadence de séquence sur 8 possibilités allant à une vitesse + ou - rapide.

#### - Mise en marche des LumiPlus Flexi

En appuyant sur la touche ON/OFF, on éteint les projecteurs. L'état (couleur ou séquence) des LumiPlus Flexi est conservé en mémoire pour la prochaine mise en marche.

#### - Arrêt à distance

La télécommande s'éteint automatiquement en moins de 60 secondes.

Les lumières (LED) de la télécommande ne sont pas toujours allumées, elles ne sont actives que pendant un bref instant.

### 7.2 Contrôle par le mouvement (voir illustration en p.40)

Ce mode vous permet de contrôler le changement de COULEUR et le changement de SEQUENCE une fois Control Motion activé.

#### Changement de couleur (fig. A)

- Soutenir correctement la télécommande sans presser aucune touche.
- Effectuer un mouvement rapide vertical du poignet (de haut en bas).
- Le changement de couleur est représenté sur l'indicateur central.

#### Changement de séquence (fig. B)

- Soutenir correctement la télécommande sans presser aucune touche.
- Effectuer un mouvement rapide horizontal du poignet (de gauche à droite ou de droite à gauche).
- Le changement de séquence sera représenté sur l'indicateur central de Control Motion.

### 8. ENTRETIEN DE CONTROL MOTION:

Si l'indicateur central s'éclaire à l'aide d'une couleur rouge constante, cela signifie les piles sont épuisées. Vous trouverez le logement des piles à l'arrière du Control Motion, remplacez-les par deux piles 1.5V de type AAA neuves.

### 9. RACCORDEMENT ÉLECTRIQUE:

Schéma de raccordement électrique



Pour une installation correcte, il faut disposer de la LumiPlus Flexi, du transformateur et de Control Motion (voir illustration en p. 40).

Le transformateur est connecté à l'alimentation électrique de 230 V en courant alternatif et LumiPlus Flexi est connectée au raccordement secondaire (12 V en courant alternatif). Par exemple, un transformateur d'au moins 100 VA est nécessaire pour contrôler 3 LumiPlus Flexi RGB V1 de 29 VA chacun. Le bouton-poussoir doit être adapté pour supporter la puissance consommée par le nombre de projecteurs de l'installation.

Il est important d'alimenter LumiPlus Flexi avec un courant de 12 VAC. Le projecteur LumiPlus Flexi est fourni avec un câble de 2 x 1 mm<sup>2</sup> H07RN-F de 2,5 m de long. Si la longueur est insuffisante, il est possible de remplacer le câble (voir page 31). Pour tout remplacement ou rallongement du câble d'origine, il est nécessaire d'effectuer un calcul spécifique des sections pour chaque installation afin d'alimenter LumiPlus Flexi avec un courant de 12 V et éviter toute chute de tension.

Le système peut aussi être contrôlé par une simple touche NC, dans ce cas, 14 modes disponibles: 7 couleurs constantes et 7 séquences de couleurs différentes. À chaque pression brève, on obtient un changement de couleur ou de séquence. Avec une pression longue, la/les LumiPlus Flexi passent à la couleur blanche.

## 10. PROBLÈMES / SOLUTIONS:

Problème	Cause	Solution
Le LumiPlus Flexi ne fonctionne pas	Le LumiPlus Flexi ne reçoit pas l'alimentation	Branchez le LumiPlus Flexi au secteur via un transformateur de sécurité 12Vac
Le LumiPlus Flexi projette une couleur différente de celle qui apparaît sur l'indicateur central de Control Motion	Le/les LumiPlus Flexi ne reçoivent pas d'information	1. Se rapprocher du LumiPlus Flexi avant d'exécuter une commande
Deux LumiPlus Flexi projettent différentes couleurs		2. Ne pas recouvrir l'antenne avec votre main
En mode de contrôle de mouvement, LumiPlus Flexi ne fonctionne pas		3. Presser la touche REFRESH
Control Motion ne répond pas	Les piles de Control Motion sont épuisées	Remplacer par des piles neuves

## 11. AVERTISSEMENTS CONCERNANT LA SÉCURITÉ :

- Le luminaire doit être placé de manière à ne pas être fixé de manière prolongée d'une distance inférieure à 2,36 m (s'applique uniquement aux modules LED RGB).
- Si le câble flexible ou le cordon de ce luminaire est endommagé, il devra être exclusivement remplacé par le fabricant ou son service technique, ou une personne à qualification équivalente, afin d'éviter tout risque.
- La source de lumière doit être remplacée uniquement par le fabricant, son service technique ou une personne agréée.
- Il faut éviter tout contact avec la tension électrique.
- Il faut respecter les normes de prévention des accidents en vigueur.
- Ne pas le manipuler avec les pieds mouillés.
- LumiPlus Flexi a été créé POUR ÊTRE UTILISÉ UNIQUEMENT EN ÉTANT IMMERGÉ et conçu POUR ÊTRE UNIQUEMENT ALIMENTÉ PAR UN TRANSFORMATEUR DE SÉCURITÉ.
- LumiPlus Flexi résiste aux traitements de la piscine décrite prochainement pourvu que les valeurs de la concentration ne dépassent pas les valeurs suivantes:

TYPE DE TRAITEMENT	CONCENTRATION DANS L'EAU
Chlorine	2 mg/l
Brome	5 mg/l
Electrolise (Na Cl)	6 g/l

Attention: Noter que le Ph de l'eau de la piscine toujours doit être comprise entre 7,2 et 7,6.

**IMPORTANTE:** El manual de instrucciones que usted tiene en sus manos, contiene información fundamental acerca de las medidas de seguridad a adoptar a la hora de la instalación y la puesta en servicio. Por ello, es imprescindible que tanto el instalador como el usuario lean las instrucciones antes de pasar al montaje y la puesta en marcha. Conserve este manual para futuras consultas acerca del funcionamiento de este aparato.

Para conseguir un óptimo rendimiento de LumiPlus Flexi, es conveniente observar las instrucciones que se indican a continuación:

## 1. COMPRUEBE EL CONTENIDO DEL EMBALAJE:

71205	71206	71207
<ul style="list-style-type: none"> <li>- 1 LumiPlus Flexi RGB V1 Wireless</li> <li>- 1 Bolsa accesorios con: prensaestopas vertical, prensaestopas horizontal, 2 juntas distinta sección cable, junta tórica y tornillos fijación.</li> <li>- Folleto de garantía</li> <li>- Manual de instrucciones</li> </ul>	<ul style="list-style-type: none"> <li>- 1 LumiPlus Flexi RGB V1 Wireless</li> <li>- 1 Lumiplus Control Motion</li> <li>- 1 Bolsa accesorios con: prensaestopas vertical, prensaestopas horizontal, 2 juntas distinta sección cable, junta tórica y tornillos fijación.</li> <li>- Folleto de garantía</li> <li>- Manual de instrucciones</li> </ul>	<ul style="list-style-type: none"> <li>- 2 LumiPlus Flexi RGB V1 Wireless</li> <li>- 1 Lumiplus Control Motion</li> <li>- 2 Bolsa accesorios con: prensaestopas vertical, prensaestopas horizontal, 2 juntas distinta sección cable, junta tórica y tornillos fijación.</li> <li>- Folleto de garantía</li> <li>- Manual de instrucciones</li> </ul>

## 2. CARACTERÍSTICAS GENERALES:

LumiPlus Flexi ha sido diseñado para utilizarse totalmente sumergido en agua dulce. Se trata de un aparato eléctrico de clase III con una muy baja tensión de seguridad (**12 V con corriente alterna**). Según norma EN 50065 el punto de luz es de clase 116.

LumiPlus Flexi cumple con el grado de protección IPX8-2 m.

Profundidad máxima de instalación: 0,4 metros respecto de la superficie del agua.

LumiPlus Flexi cumple con las normas internacionales de seguridad de luminarias, en especial la norma EN 60598-2-18: LUMINARIAS PARTE 2: REQUERIMIENTOS PARTICULARES SECCIÓN 18 LUMINARIAS PARA PISCINAS Y APLICACIONES SIMILARES.

El fabricante en ningún caso se responsabiliza del montaje, instalación o puesta en funcionamiento de cualquier manipulación o incorporación de componentes eléctricos que no se hayan llevado a cabo en sus instalaciones.

## 3. INSTALACIÓN:

• Para iluminar correctamente una piscina se recomienda:

Instalar un LumiPlus Flexi V1 cada 20 m<sup>2</sup> de superficie de agua.

Instalar un LumiPlus Flexi V2 cada 25 m<sup>2</sup> de superficie de agua.

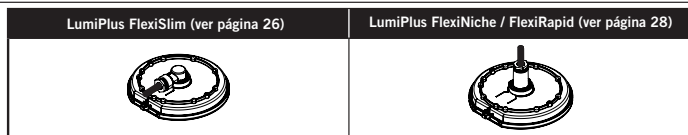
**Nota:** Recomendaciones válidas para piscinas con colores claros. En piscinas de colores oscuros o de acero inoxidable se recomienda sobredimensionar la proporción de puntos de luz por m<sup>2</sup>.

- Es responsabilidad del instalador que la zona de los conectores quede perfectamente estanca.
- Las cajas de conexión deben estar al menos a 2 m. del borde de la piscina o instalación acuática.
- El transformador de 230/12V que alimenta LumiPlus Flexi debe estar instalado a una distancia de 3,5 m. del borde de la piscina o instalación acuática.
- Las canalizaciones instaladas a menos de 3,5 m del borde de la piscina no pueden tener ningún revestimiento ni cubierta metálica.
- La sección mínima de cable que admite LumiPlus Flexi es de 2x1mm<sup>2</sup> H07RN-F.
- La sección máxima de cable que admite LumiPlus Flexi es de 2x2,5mm<sup>2</sup> H07RN-F.
- La sección máxima de cable que admite LumiPlus Flexi Nicho y Flexi Rapid es de 2x2,5mm H07RN-F, en el caso del Flexi Slim, la sección máxima de cable que admite es de 2x1,5mm<sup>2</sup> H07RN-F.
- En el caso que la sección de cable existente sea de 2x4mm<sup>2</sup> H07RN-F hasta 2x6mm<sup>2</sup> H07RN-F, se deberá realizar un empalme subacuático. Para garantizar el correcto funcionamiento del proyector LumiPlus Flexi recomendamos usar el kit de conexión subacuática código AstralPool 32803.

### ATTENTION

BAJO NINGÚN CONCEPTO SE DEBE UTILIZAR OTRO TORNILLO DIFERENTE AL SUBMINISTRADO PARA FIJAR EL PRENSA ESTOPAS DE LUMIPLUS FLEXI YA QUE PODRÍA ATRAVESARLO Y PROVOCAR LA ENTRADA DE AGUA.

#### 4. MONTAJE:



Aquí se describe cómo proceder a conectar LumiPlus Flexi con el cable para garantizar la estanquidad en la zona de conexiones. Es importante seguir los siguientes pasos:

1. Asegurarse que no haya tensión eléctrica antes de manipular ningún cable.
2. Colocar la junta tórica.
3. Conectar el cable al punto de luz y fijar los dos tornillos.
4. Pasar el cable por el conjunto prensaestopas.
5. Fijar el prensaestopas al cuerpo del proyector, según la posición marcada. A continuación fijaremos los tres tornillos.
6. Procurar que la goma del cable quede dentro de la zona de conexiones y ya podemos proceder a apretar el prensaestopas con una llave (6N.m).
7. Asegurar que el cable quede bien fijado sin salir del prensaestopas.
8. Una vez conectado podemos proceder a fijar el proyector a la piscina (ver manual del embellecedor).

#### 5. MANTENIMIENTO:

LumiPlus Flexi no necesita de ningún tipo de mantenimiento, si detectan que no funciona correctamente por favor pónganse en contacto con nuestro departamento de atención al cliente.

**⚠ ESTÁ PROHIBIDO ACCEDER AL INTERIOR DEL PUNTO DE LUZ, SE PERDERÍA LA GARANTÍA DEL PRODUCTO.**

#### 6. CONTROL MOTION:

Frecuencia de funcionamiento: 868 MHz

Alcance en campo abierto: 5m.

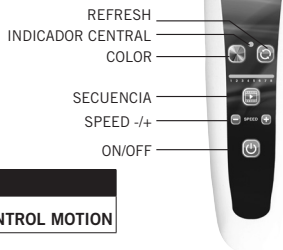
Batería: 2 pilas AAA-1,5V.

Control Motion dispone 6 botones:

COLOR, REFRESH, SEQUENCE, SPEED (-/+), ON/OFF

Las funciones principales del mando a distancia son:

- Seleccionar COLOR: 12 colores fijos disponibles.
- REFRESH de los colores / secuencias.
- Seleccionar SECUENCIA: 8 secuencias disponibles.
- SPEED seleccionar velocidad de secuencia: 8 velocidades disponibles
- Encendido/apagado de la/s lámparas.



#### ATENCIÓN

**NO CUBRIR CON LA MANO LA PARTE SUPERIOR DE LOS BOTONES DE CONTROL MOTION**

#### 7. FUNCIONAMIENTO :

Control Motion puede controlar el/los LumiPlus Flexi a través del teclado o del movimiento.

Para que el punto de luz responda a Control Motion debe aproximarse a LumiPlus Flexi. Si usted tiene más de un punto de luz póngase en el centro de los dos para asegurar una óptima recepción.

##### 7.1 Control por teclado

- Encendido de los LumiPlus Flexi

Pulsando la tecla ON/OFF durante un breve instante, se encienden los LumiPlus Flexi.

- Seleccionar color

La tecla COLOR permite seleccionar 1 color de los 12 que dispone el sistema. Mediante cada pulsación hacemos un cambio de color, al llegar al último color y efectuar una pulsación volvemos al primero. Visualizamos el color elegido en el Indicador Central.

Nº DE COLOR	COLOR
1	Rojo
2	Verde
3	Azul
4	Amarillo
5	Cian
6	Magenta

Nº DE COLOR	COLOR
7	Celeste
8	Violeta pálido
9	Naranja
10	Rosa
11	Verde esmeralda
12	Blanco

#### - Seleccionar secuencia

La tecla SEQUENCE permite seleccionar 1 secuencia de las 8 que dispone el sistema. Mediante cada pulsación hacemos un cambio de secuencia, al llegar a la última secuencia y efectuar una pulsación volvemos a la primera. Todas las secuencias son cíclicas, al llegar a la última secuencia vuelven a empezar.

El número de la secuencia aparece iluminado en los indicadores del 1 al 8.

SECUENCIA	ORDEN DE COLORES											
Estival	Rojo	Verde	Azul									
Caroline	Cian	Magenta	Amarillo									
Iris	Verde	Verde esmeralda	Cian	Celeste	Azul	Cian	Verde esmeralda					
Candy	Rojo	Naranja	Verde	Naranja								
Tropical	Rojo	Rosa	Azul	Rosa								
Paradise	Rojo	Naranja	Verde	Cian	Azul	Rosa						
Abril	Violeta pálido	Magenta	Cian	Amarillo	Blanco	Amarillo	Cian	Magenta				
Eleven	Rojo	Verde	Azul	Amarillo	Cian	Magenta	Violeta pálido	Celeste	Naranja	Rosa	Verde esmeralda	Blanco

#### - Botón Refresh

En piscinas con más de un LumiPlus Flexi se utilizará para sincronizar varios puntos de luz.

Si alguno de los LumiPlus Flexi no responde a la orden COLOR / SECUENCIA, deberá acercarse a LumiPlus Flexi y pulsar el botón REFRESH, este enviará la última orden y LumiPlus Flexi se sincronizará con el resto.

#### - Seleccionar velocidad de la secuencia

Las teclas +/- permiten seleccionar 1 velocidad de secuencia de 8, ordenadas de - a + velocidad.

#### - Apagado de los proyectores

Mediante una pulsación en la tecla ON/OFF apagamos los LumiPlus Flexi. El estado (color o secuencia) de los LumiPlus Flexi queda guardado en la memoria para el siguiente encendido.

#### - Apagado del Mando a distancia

El Mando a distancia se apaga automáticamente en menos de 60 segundos

Los indicadores luminosos (LEDs) del mando a distancia no siempre están encendidos, sólo están encendidos durante un breve instante.

### 7.2 Control por movimiento (ver dibujo pág. 40)

Este modo permite controlar el cambio de COLOR y el cambio de SECUENCIA con Control Motion encendido.

#### Cambio de color (Fig.A)

- Sujete bien el mando sin tocar ninguna tecla.

- Realice un movimiento de muñeca acelerado dirección vertical (de arriba a abajo).

- El cambio de color se representará en el Indicador Central.

#### Cambio de secuencia (Fig.B)

- Sujete bien el mando sin tocar ninguna tecla.

- Realice un movimiento de muñeca acelerado dirección horizontal (de lado a lado).

- El cambio de secuencia se representará en el Indicador Central de Control Motion

### 8. MANTENIMIENTO CONTROL MOTION:

Si el Indicador Central se ilumina fijamente en color rojo significa que las pilas están agotadas. En la parte posterior de Control Motion encontrará el alojamiento, reponga 2 pilas nuevas del tipo AAA 1,5V.

### 9. CONEXIÓN ELÉCTRICA:

Para una correcta instalación, necesitamos el proyector, el transformador i el Control Motion (Ver esquema pág. 40)

El transformador se conecta a la red eléctrica de 230Vac y por el secundario se conecta el proyector LumiPlus Flexi Wireless. Este debe estar dimensionado para suministrar los VA correspondientes a cada LumiPlus Flexi que se conecte

(ver tabla de la contraportada). Por ejemplo, si deseamos controlar 3 LumiPlus Flexi RGB V1 de 29VA cada uno, debemos conectarlos en paralelo a un transformador de como mínimo 100VA. El Pulsador deberá estar dimensionado para soportar la potencia consumida por el número de puntos de luz de la instalación.

Es muy importante para un correcto funcionamiento que LumiPlus Flexi reciba los 12Vac. Los proyectores Lumiplus Flexi se suministran con cable de 2x1mm<sup>2</sup> H07RN-F con 2,5 metros. En caso de que la longitud sea insuficiente puede reemplazarse el cable. En el caso de substituir o prolongar el cable original hace falta hacer un cálculo de secciones específico para cada instalación para garantizar que los 12 Voltios lleguen a LumiPlus Flexi y evitar excesivas caídas de tensión. Ver página 31.

Opcionalmente el sistema puede ser controlado mediante un simple pulsador NC, en este caso disponemos de 14 modos de funcionamiento: 7 colores fijos y 7 secuencias de colores diferentes. Mediante cada pulsación corta efectuamos un cambio de color o de secuencia. Mediante una pulsación larga situamos el/proyector/es en el color blanco.

## 10. PROBLEMAS Y SOLUCIONES:

Problema	Causa	Solución
LumiPlus Flexi no funciona	LumiPlus Flexi no tiene alimentación de red	Conecte LumiPlus Flexi a la red eléctrica mediante un transformador de seguridad 12Vac
LumiPlus Flexi tiene un color distinto al Indicador Central de Control Motion	El/los LumiPlus Flexi no reciben información	<ol style="list-style-type: none"> <li>1. Aproximarse al LumiPlus Flexi antes de enviar una orden</li> <li>2. No cubrir la zona de la antena con la mano</li> <li>3. Pulsar el botón REFRESH</li> </ol>
Los dos LumiPlus Flexi proyectan colores distintos		
Con el control de movimiento, LumiPlus Flexi no funciona		
Control Motion no responde	La batería de Control Motion está agotada	Reponga pilas nuevas

## 11. ADVERTENCIAS DE SEGURIDAD:

- La luminaria debería colocarse de forma que no se espera una mirada prolongada a la luminaria a una distancia más cercana a 2,36m (esto aplica solo a los módulos LED RGB).
- Si el cable flexible o cordón de esta luminaria está dañado, debe substituirse exclusivamente por el fabricante o su servicio técnico o una persona de cualificación equivalente con objeto de evitar cualquier riesgo.
- La fuente de luz de esta luminaria debe reemplazarse únicamente por el fabricante, su servicio técnico o persona cualificada equivalente.
- Se debe evitar entrar en contacto con la tensión eléctrica.
- Se deben respetar las normas vigentes para la prevención de accidentes.
- A tal respecto, se deben cumplir las normas IEC 364-7-702: INSTALACIONES ELÉCTRICAS EN EDIFICIOS. INSTALACIONES ESPECIALES. PISCINAS.
- Cualquier operación de mantenimiento debe realizarse con LumiPlus Flexi desconectado de la red.
- No manipular con los pies mojados.
- LumiPlus Flexi está diseñado PARA USAR ÚNICAMENTE SUMERGIDO EN AGUA y está concebido PARA FUNCIONAR ÚNICAMENTE CON UN TRANSFORMADOR DE SEGURIDAD.
- LumiPlus Flexi resiste a los tratamientos de piscina descritos seguidamente siempre que los valores de concentración no superen los siguientes valores:

TIPO DE TRATAMIENTO	CONCENTRACIÓN EN EL AGUA
Cloro	2 mg /l
Bromo	5 mg/l
Electrólisis de sal (Na Cl)	6 g/l

Atención: el Ph del agua de la piscina siempre debe estar entre 7,2 y 7,6.

**IMPORTANTE:** Il manuale d'istruzioni in suo possesso contiene informazioni fondamentali sulle misure di sicurezza da adottare per l'installazione e la messa in servizio. Per ciò è imprescindibile che sia l'installatore che l'utente leggano le istruzioni prima di iniziare il montaggio e la messa in servizio.

Conservi questo manuale per poter consultare in futuro in merito al funzionamento di questo apparecchio.

Per ottenere un ottimo rendimento del LumiPlus Flexi è conveniente fare attenzione alle seguenti istruzioni:

## 1. VERIFICARE IL CONTENUTO DELL'IMBALLAGGIO:

71205	71206	71207
<ul style="list-style-type: none"> <li>- 1 LumiPlus Flexi RGB V1 Wireless</li> <li>- 1 Borsa porta accessori: premistoppa FlexiNiche, premistoppa FlexiRapid, 1 guarnizione, 1 o-ring, anello elastico, cavo e vite di fissaggio (1 vite di fissaggio della luce con la flangia + 3 viti di fissaggio con il premistoppa)</li> <li>- Foglio di garanzia</li> <li>- Manuale per l'uso</li> </ul>	<ul style="list-style-type: none"> <li>- 1 LumiPlus Flexi RGB V1 Wireless</li> <li>- 1 Control Motion</li> <li>- 1 Borsa porta accessori: premistoppa FlexiNiche, premistoppa FlexiRapid, 1 guarnizione, 1 o-ring, anello elastico, cavo e vite di fissaggio (1 vite di fissaggio della luce con la flangia + 3 viti di fissaggio con il premistoppa)</li> <li>- Foglio di garanzia</li> <li>- Manuale per l'uso</li> </ul>	<ul style="list-style-type: none"> <li>- 2 LumiPlus Flexi RGB V1 Wireless</li> <li>- 1 Control Motion</li> <li>- 2 Borsa porta accessori: premistoppa FlexiNiche, premistoppa FlexiRapid, 1 guarnizione, 1 o-ring, anello elastico, cavo e vite di fissaggio (1 vite di fissaggio della luce con la flangia + 3 viti di fissaggio con il premistoppa)</li> <li>- Foglio di garanzia</li> <li>- Manuale per l'uso</li> </ul>

## 2. CARATTERISTICHE GENERALI:

LumiPlus Flexi è stato disegnata per essere utilizzata totalmente sommerso in acqua dolce. Si tratta di un apparecchio elettrico di classe III con una bassissima tensione di sicurezza (**12 V con corrente alternata**).

Il LumiPlus Flexi comple con il grado di protezione IPX8 - 2m.

Profondità massima di installazione: 0,4 metri rispetto alla superficie dell'acqua.

LumiPlus Flexi seguè le norme internazionali di sicurezza d'illuminazione, specialmente la norma EN 60598-2-18: ILLUMINAZIONE PARTE 2: PRESCRIZIONI PARTICOLARI SEZIONE 18 ILLUMINAZIONE PER PISCINE E APPLICAZIONI SIMILARI.

Il fabbricante rifiuta qualsiasi responsabilità per il montaggio, l'installazione o la messa in funzione di componenti elettrici che sono stati manipolati o introdotti al di fuori dei suoi stabilimenti.

## 3. INSTALLAZIONE:

• Per illuminare correttamente una piscina si raccomanda di:

Collocare un faro LumiPlus Flexi V1 ogni 20 m<sup>2</sup> di superficie d'acqua.

Collocare un faro LumiPlus Flexi V2 ogni 25 m<sup>2</sup> di superficie d'acqua.

**N.B:** Raccomandazioni valide per piscine realizzate con colori chiari. Per i modelli in acciaio inossidabile o tonalità scure si consiglia di aumentare la proporzione di luci per m<sup>2</sup>.

• L'installatore si assicurerà della perfetta tenuta della zona dei connettori.

• Le scatole di connessione devono trovarsi ad almeno 2 m dal bordo della piscina o dell'impianto acquatico.

• Il trasformatore di 230/12V che alimenta LumiPlus Flexi deve trovarsi a una distanza di 3,5 m dal bordo della piscina o dell'impianto acquatico.

• I condotti disposti a meno di 3,5 m dal bordo della piscina non possono avere alcun rivestimento né copertura metallica.

• Con LumiPlus Flexi occorre utilizzare un cavo con sezione minima di 2x1 mm<sup>2</sup> H07RN-F.

• Con LumiPlus Flexi occorre utilizzare un cavo con sezione massima di 2x2,5 mm<sup>2</sup> H07RN-F.

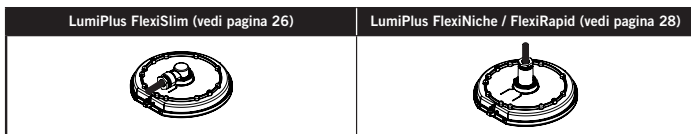
• La sezione massima del cavo compatibile con LumiPlus Flexi Nicchia e Flexi Rapid è 2x2,5 mm<sup>2</sup> H07RN-F, mentre nel caso di Flexi Slim la sezione massima del cavo ammesso è 2x1,5 mm<sup>2</sup> H07RN-F.

• Qualora la sezione del cavo esistente fosse 2x4 mm<sup>2</sup> H07RN-F fino a 2x6 mm<sup>2</sup> H07RN-F il collegamento va effettuato sott'acqua. Per garantire il corretto funzionamento del faro LumiPlus Flexi si consiglia di utilizzare l'apposito kit di collegamento sott'acqua con codice AstralPool 32803.

### ATTENZIONE

PER FISSARE IL PREMISTOPPA LUMIPLUS FLEXI NON UTILIZZARE MAI VITI DIVERSE DA QUELLE FORNITE PER EVITARE DI FORARLO, PROVOCANDO L'INFILTRAZIONE DI ACQUA

#### 4. MONTAGGIO:



Di seguito, si descrive come procedere per collegare LumiPlus Flexi al cavo in modo tale da garantire la massima tenuta nella zona dei collegamenti. È importante seguire i passi successivi:

1. Prima di toccare i cavi controllare che non vi sia tensione elettrica.
2. Collocare l'o-ring.
3. Collegare il cavo alla luce e fissare le due viti.
4. Far passare il cavo dal gruppo dei premistoppa.
5. Fissare il premistoppa al corpo del faro, secondo la posizione indicata. Successivamente, fissare le tre viti.
6. Fare in modo che l'elastico del cavo si trovi all'interno della zona di collegamenti, quindi fissare il premistoppa con un'apposita chiave (6 N.m).
7. Assicurarsi che il cavo sia ben fisso e non esca dal premistoppa.
8. Al termine del collegamento, fissare il faro alla piscina (vedasi il manuale della flangia).

#### 5. MANUTENZIONE:

LumiPlus Flexi non richiede alcun tipo di manutenzione. Qualora si rilevassero delle anomalie di funzionamento contattare il nostro ufficio di assistenza clienti.

**⚠ L'APERTURA DELLA LUCE E LA MANIPOLAZIONE AL SUO INTERNO IMPLICA LA CANCELLAZIONE DELLA GARANZIA DEL PRODOTTO.**

#### 6. CONTROL MOTION:

Frequenza di funzionamento: 868 MHz

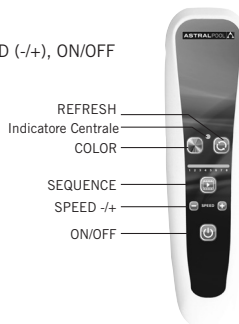
Copertura su campo aperto: 5m

Batteria: 2 pile AAA-1,5V.

Control Motion dispone di 6 pulsanti: COLOR, REFRESH, SEQUENCE, SPEED (-/+), ON/OFF

Le principali funzioni del telecomando sono:

- Selezionare COLOR: 12 colori fissi disponibili.
- REFRESH dei colori e delle sequenze.
- Selezionare SEQUENCE: 8 sequenze disponibili.
- SPEED, selezionare velocità di sequenza: 8 velocità disponibili.
- Accensione/spengimento del LumiPlus Flexi.



#### ATTENZIONE

**NON COPRIRE CON LA MANO LA PARTE SUPERIORE DEI PULSANTI DI CONTROL MOTION**

#### 7. OPERAZIONE:

Control Motion è in grado di rilevare qualsiasi dispositivo LumiPlus Flexi mediante tastiera o movimento. Affinché la luce risponda a Control Motion occorre avvicinarsi a LumiPlus Flexi. Qualora fossero presenti più luci collocate al centro per assicurarsi un ottimo rilevamento.

##### 7.1 Controllo tramite tastiera

- Accensione LumiPlus Flexi

Mantenendo il tasto ON/OFF brevemente premuto si accendono i LumiPlus Flexi.

- Selezione colore

Con il tasto COLOR si può selezionare 1 colore tra i 12 a disposizione nel sistema. Ogni volta che si preme il pulsante si cambia colore; una volta raggiunto l'ultimo colore, premendo nuovamente il pulsante si torna al primo colore. Il colore scelto è visualizzabile sull'Indicatore Centrale.

N° DE COLORE	COLORE
1	Rosso
2	Verde
3	Blu
4	Giallo
5	Ciano
6	Magenta

N° DE COLORE	COLORE
7	Viola pallido
8	Celeste
9	Arancione
10	Rosa
11	Verde smeraldo
12	Blanco

#### - Selezione sequenza

Con il tasto SEQUENCE si seleziona 1 sequenza tra le 8 a disposizione nel sistema. Ogni volta che si preme il pulsante si cambia sequenza; una volta raggiunta l'ultima sequenza, premendo nuovamente il pulsante si torna alla prima sequenza. Tutte le sequenze sono cicliche e dall'ultima si torna alla prima.

Il numero della sequenza si illumina sugli indicatori da 1 a 8.

SEQUENCIA				ORDEN DE COLORES																		
Estival	Rosso	Verde	Blu																			
Caroline	Ciano	Magenta	Giallo																			
Iris	Verde	Verde Smeraldo	Ciano	Celeste	Blu	Celeste	Blu	Celeste	Ciano	Verde Smeraldo												
Candy	Rosso	Arancione	Verde	Arancione																		
Tropical	Rosso	Rosa	Blu	Rosa																		
Paradise	Rosso	Arancione	Verde	Ciano	Blu	Rosa																
Abril	Viola pallido	Magenta	Ciano	Giallo	Blanco	Giallo	Ciano	Magenta														
Eleven	Rosso	Verde	Blu	Giallo	Ciano	Magenta	Viola pallido	Celeste	Arancione	Magenta	Verde Smeraldo	Blanco										

#### - Pulsante Refresh

Nelle piscine in cui è installata più di LumiPlus Flexi verrà usato per sincronizzare le varie LumiPlus Flexi.

Se una del LumiPlus Flexi non risponde al comando COLOR / SEQUENCE, avvicinarsi al LumiPlus Flexi e premere il pulsante REFRESH, il quale invierà l'ultimo comando al LumiPlus Flexi che si sincronizzerà con le altre.

#### - Selezionare la velocità della sequenza

I tasti +/- consentono di selezionare 1 velocità di sequenza tra le 8 a disposizione, in ordine di velocità ascendente.

#### - Spegnimento proiettori

Premendo il tasto ON/OFF una volta si spengono i proiettori. Lo stato (colore o sequenza) del LumiPlus Flexi viene registrato in memoria per essere ripreso alla prossima accensione.

#### - Spegnimento del Telecomando

Il Telecomando si spegne automaticamente in meno di 60 secondi.

Gli indicatori luminosi (LED) del telecomando non sono sempre accesi, vi rimangono solo per un breve istante.

### 7.2 Controllo tramite il movimento (vedi illustrazione pag. 40)

Questa modalità permette di controllare il cambio di COLOR e di SEQUENCE con Control Motion acceso.

#### Cambio colore (Immagine A)

- Reggere il telecomando senza toccare nessun tasto.
- Muovere il polso velocemente in direzione verticale (dall'alto verso il basso).
- Sull'Indicatore Centrale si visualizzerà il cambio di colore.

#### Cambio sequenza (Immagine B)

- Reggere il telecomando senza toccare nessun tasto.
- Muovere il polso velocemente in direzione orizzontale (da sinistra a destra).
- Sull'Indicatore Centrale di Control Motion si visualizzerà il cambio di sequenza.

### 8. MANUTENZIONE CONTROL MOTION:

Se la luce rossa sull'Indicatore Centrale si accende e non si spegne significa che le pile sono scariche. Sulla parte posteriore di Control Motion si trova l'alloggio; inserire 2 pile nuove di tipo AAA 1,5V.

### 9. COLLEGAMENTO ELETTRICO:

Per una corretta installazione sono necessari LumiPlus Flexi, il trasformatore ed il Control Motion (vedi illustrazione pag. 40).

Il Trasformatore si collega alla rete elettrica da 230 Vac e LumiPlus Flexi si collega tramite quello secondario (12 Vac)



Questo deve essere della giusta dimensione per poter fornire i VA relativi ad ogni LumiPlus Flexi collegata (vedi tabella in quarta di copertina). Ad esempio, per controllare 3 LumiPlus Flexi RGB V1 da 29 VA ciascuna occorre collegarle in parallelo a un trasformatore di almeno 100 VA. Le dimensioni del pulsante devono essere tali da tollerare la potenza consumata dal numero di luci dell'impianto.

È molto importante per assicurarsi un corretto funzionamento che LumiPlus Flexi riceva 12 VAC. LumiPlus Flexi è fornito in dotazione con 2,5 m di cavo 2x1 mm<sup>2</sup> H07RN-F. Qualora la lunghezza fosse insufficiente è possibile sostituire il cavo (vedi pagina 31). In caso di sostituzione o allungamento del cavo originale eseguire un calcolo specifico delle sezioni per ogni impianto per assicurarsi che i 12 V arrivino a LumiPlus Flexi ed evitare così cadute di tensione.

Facoltativamente il sistema può essere controllato tramite un semplice interruttore NC, in questo caso vi sono 14 modalità di funzionamento a disposizione: 7 colori fissi e 7 sequenze di colori diversi. Premendo brevemente il pulsante cambiamo il colore o la sequenza. Premendo il pulsante a lungo le LumiPlus Flexi si impostano sul colore bianco.

## 10. PROBLEMA/ SOLUZIONE:

Problema	Causa	Soluzione
LumiPlus Flexi non funziona	LumiPlus Flexi non riceve l'alimentazione dalla rete	Collegare LumiPlus Flexi alla rete elettrica tramite un trasformatore da 12Vac
LumiPlus Flexi proietta un colore diverso da quello visualizzato sull'Indicatore Centrale di Control Motion	LumiPlus Flexi non ricevono le informazioni	1. Avvicinarsi a LumiPlus Flexi prima di inviare un comando
Due LumiPlus Flexi proiettano colori diversi		2. Non coprire la zona dell'antenna con la mano
LumiPlus Flexi non funzionano tramite il controllo di movimento		3. Premere il pulsante REFRESH
Control Motion non risponde	La batteria di Control Motion è scarica	Inserire pile nuove

## 11. AVVERTENZE DI SICUREZZA:

- La luce va disposta in modo tale da escludere la possibilità che qualcuno la fissi a lungo a una distanza inferiore a 2,36 m (solo per moduli LED RGB).
- In caso di danni al cavo flessibile o alla corda della luce, rivolgersi esclusivamente al produttore, al rispettivo personale di assistenza tecnica o a una persona in possesso di qualifica equivalente per la rispettiva sostituzione in modo tale da evitare qualsiasi rischio.
- La sorgente luminosa di questo dispositivo può essere sostituita solo dal produttore, dal rispettivo personale di assistenza tecnica o da una persona in possesso di qualifica equivalente.
- Si deve evitare di entrare in contatto con la tensione elettrica.
- Si devono rispettare le norme vigenti per la prevenzione d'incidenti.
- A tal proposito, si devono rispettare le norme IEC 364-7-702: **INSTALLAZIONI ELETTRICHE IN EDIFICI. INSTALLAZIONI SPECIALI. PISCINE.**
- Qualsiasi operazione di manutenzione o sostituzione di pezzi deve essere realizzata con il proiettore scollegato dalla rete.
- No operare con i piedi bagnati.
- LumiPlus Flexi è stato progettato per **ESSERE UTILIZZATO ESCLUSIVAMENTE SOTT'ACQUA** ed è stato concepito **PER FUNZIONARE UNICAMENTE CON UN TRASFORMATORE DI SICUREZZA.**
- LumiPlus Flexi resiste ai trattamenti di piscina descritto prossimamente a condizione che i valori di concentrazione non superano i valori seguenti:

TIPO DE TRATTAMENTO	CONCENTRAZIONE IN ACQUA
Cloro	2 mg/l
Bromo	5 mg/l
Elettrolisi di sal (Na Cl)	6 g/l

Attenzione : Notare che il Ph dell'acqua della piscina deve sempre essere compresa tra 7,2 e 7,6.

**WICHTIG:** Das Handbuch mit den Betriebsanleitungen, das Sie in Händen halten, enthält wichtige Information über die anzuwendenden Sicherheitsmaßnahmen für die Installation und Inbetriebnahme. Es ist daher unerlässlich, daß die Anweisungen vom Installateur und vom Benutzer vor der Montage und Inbetriebnahme aufmerksam durchgelesen werden. Bewahren Sie dieses Handbuch auf, falls Sie zu einem späteren Zeitpunkt Informationen über die Funktion dieses Apparates nachschlagen möchten.

Um die beste Leistung des LumiPlus Flexi, zu erzielen, empfiehlt es sich, die nachfolgenden Anweisungen zu befolgen:

## 1. ÜBERPRÜFEN SIE DEN INHALT DES PACKSTÜCKES:

71205	71206	71207
<ul style="list-style-type: none"><li>- 1 LumiPlus Flexi RGB V1 Wireless</li><li>- Zubehörbeutel: Stopfbuchse FlexiNiche, Stopfbuchse Flexi-Rapid, 1 Dichtung, 1 O-Ring-Dichtung, Unterlegscheibe, Kabel und Befestigungsschrauben (1 Befestigungsschraube für die Leuchte an der Blende + 3 Befestigungsschrauben an der Stopfbuchse)</li><li>- Garantiebroschüre</li><li>- Bedienungsanleitung</li></ul>	<ul style="list-style-type: none"><li>- 1 LumiPlus Flexi RGB V1 Wireless</li><li>- 1 LumiPlus Control Motion</li><li>- Zubehörbeutel: Stopfbuchse FlexiNiche, Stopfbuchse Flexi-Rapid, 1 Dichtung, 1 O-Ring-Dichtung, Unterlegscheibe, Kabel und Befestigungsschrauben (1 Befestigungsschraube für die Leuchte an der Blende + 3 Befestigungsschrauben an der Stopfbuchse)</li><li>- Garantiebroschüre</li><li>- Bedienungsanleitung</li></ul>	<ul style="list-style-type: none"><li>- 2 LumiPlus Flexi RGB V1 Wireless</li><li>- 1 LumiPlus Control Motion</li><li>- 2 Zubehörbeutel: Stopfbuchse FlexiNiche, Stopfbuchse Flexi-Rapid, 1 Dichtung, 1 O-Ring-Dichtung, Unterlegscheibe, Kabel und Befestigungsschrauben (1 Befestigungsschraube für die Leuchte an der Blende + 3 Befestigungsschrauben an der Stopfbuchse)</li><li>- Garantiebroschüre</li><li>- Bedienungsanleitung</li></ul>

## 2. ALLGEMEINE KARAKTERISTIKEN:

LumiPlus Flexi wurde so entworfen, dass er in Schwimmbäder mit Wasser. Es handelt sich um einen elektrischen Apparat der Klasse III mit Sicherheitsniedrigspannung (**12 V mit Wechselstrom**). Laut Norm EN 50065 handelt es sich um eine Lampe der Klasse 116.

LumiPlus Flexi entspricht der Schutzklasse IPX8 - 2 m.

Maximale Installationstiefe: 0,4 Meter in Bezug auf die Wasseroberfläche.

LumiPlus Flexi erfüllt die internationalen Sicherheitsnormen für Lampen, vor allem die Norm EN-60598-2-18: LEUCHTEN TEIL 2: BESONDERE ANFORDERUNGEN SEKTION 18 LEUCHTEN FÜR SCHWIMMBECKEN UND ÄHNLICHE ANWENDUNGEN.

Der Hersteller haftet in keinem Fall für Montagen, Installationen oder Inbetriebnahmen oder für jegliche Handhabung oder den Einbau von elektrischen Komponenten, die nicht im Werk des Herstellers erfolgten.

## 3. INSTALLATION:

• Um ein Schwimmbad richtig zu beleuchten, wird Folgendes empfohlen:

Einen LumiPlus Flexi V1 pro 20 m<sup>2</sup> Wasserfläche installieren.

Einen LumiPlus Flexi V2 pro 25 m<sup>2</sup> Wasserfläche installieren.

**Hinweis:** Diese Empfehlungen gelten für Schwimmbäder in hellen Farben. Bei Schwimmbädern in dunklen Farben

oder aus rostfreiem Stahl werden mehr Leuchten pro m<sup>2</sup> empfohlen.

• Der Installateur ist dafür verantwortlich, dass der Bereich der Anschlüsse vollkommen dicht ist.

• Die Anschlußkästen müssen mindestens 2 m vom Schwimmbadrand bzw. der Wasserinstallation entfernt sein.

• Der Transformator 230/12V zur Versorgung des LumiPlus Flexi muss in einem Abstand von 3,5 m vom Schwimmbadrand oder der Wasserinstallation installiert sein.

• Die Kabelkanäle müssen mindestens 3,5 m vom Schwimmbadrand entfernt installiert werden und dürfen keine metallische Verkleidung oder Abdeckung aufweisen.

• Der minimal zulässige Kabeldurchmesser für LumiPlus Flexi beträgt 2x1mm<sup>2</sup> H07RN-F.

• Der maximal zulässige Kabeldurchmesser für LumiPlus Flexi beträgt 2x2,5mm<sup>2</sup> H07RN-F.

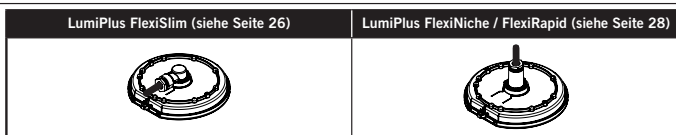
• Der für LumiPlus Flexi Niche und Flexi Rapid zugelassene maximale Kabelquerschnitt ist 2x2,5mm<sup>2</sup> H07RN-F; im Fall von Flexi Slim ist der zugelassene maximale Kabelquerschnitt 2x1,5mm<sup>2</sup> H07RN-F.

• Wenn der Kabelquerschnitt zwischen 2x4mm<sup>2</sup> H07RN-F und 2x6mm<sup>2</sup> H07RN-F liegt, muss unter Wasser ein Anschluss gelegt werden. Um den einwandfreien Betrieb des Strahlers LumiPlus Flexi zu garantieren, empfehlen wir für den Anschluss die Verwendung des Unterwasserkits Art.-Nr. AstralPool 32803.

## ACHTUNG

**UNTER KEINEN UMSTÄNDEN DARF EINE ANDERE ALS DIE IM LIEFERUMFANG ENTHALTENE SCHRAUBE ZUR BEFESTIGUNG DER STOPFBUCHSE FÜR LUMIPLUS FLEXI VERWENDET WERDEN, DA SIE DIESEN DURCHSTECHEN ODER DAS EINDRINGEN VON WASSER VERURSACHEN KÖNNTE.**

#### 4. MONTAGE:



Hier wird beschrieben, wie der LumiPlus Flexi an das Kabel angeschlossen wird, um die Dichtigkeit des Anschlussbereichs zu gewährleisten. Hierzu müssen die folgenden Schritte ausgeführt werden:

1. Vor der Handhabung jeglicher Kabel sicherstellen, dass keine elektrische Spannung anliegt.
2. Die O-Ring-Dichtung anbringen.
3. Das Kabel mit der Leuchte verbinden und die beiden Schrauben befestigen.
4. Das Kabel durch das Stopfbüchsen-Ensemble führen.
5. Die Stopfbuchse am Projektorgehäuse an der markierten Position befestigen. Anschließend die drei Schrauben befestigen.
6. Dafür sorgen, dass das Kabelgummi im Anschlussbereich untergebracht ist. Dann kann die Stopfbuchse mit einem Schlüssel (6 N.m) festgezogen werden.
7. Sicherstellen, dass das Kabel gut befestigt ist und nicht aus der Stopfbuchse herausrutschen kann.
8. Nach dem Anschluss kann der Projektor im Schwimmbad befestigt werden (siehe Handbuch der Blende).

#### 5. WARTUNG:

LumiPlus Flexi benötigt keinerlei Wartung. Wenn Sie eine Fehlfunktion feststellen, wenden Sie sich bitte an unsere Kundendienstabteilung.

**⚠ ES DARF NICHT AUF DAS INNERE DER LEUCHE ZUGEGRIFFEN WERDEN; ANDERNFALLS WIRD DIE PRODUKTGARANTIE UNGÜLTIG.**

#### 6. CONTROL MOTION:

Betriebsfrequenz: 868 MHz

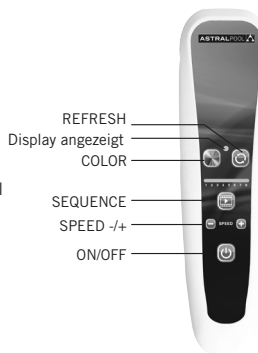
Reichweite in freiem Feld: 5 m

Batterien: 2 AAA-Batterien 1,5 V

Die Control- Motion-Steuerung hat 6 Bedientasten: COLOR, REFRESH, SEQUENCE, SPEED (-/+), ON/OFF

Hauptfunktionen der Fernbedienung:

- Mit COLOR: Wahl zwischen 12 verfügbaren Farben
- REFRESH von Farben/Sequenzen
- Mit SEQUENCE: Wahl zwischen 8 verfügbaren Sequenzen
- Mit SPEED wird die Geschwindigkeit der gewählten Sequenz reguliert: Wahl zwischen 8 verfügbaren Geschwindigkeitsstufen
- Mit ON/OFF LumiPlus Flexi oder Lichtpunkte ein- und ausschalten.



#### ACHTUNG

**DIE OBERSEITE DER TASTENLEISTE NICHT MIT DER HAND VERDECKEN**

#### 7. FUNKTIONIEREN:

Control Motion kann den/die LumiPlus Flexi über die Tastatur oder über Bewegungen steuern.

Damit die Leuchte auf Control Motion reagiert, müssen Sie sich in der Nähe des LumiPlus Flexi befinden. Wenn mehr als eine Leuchte vorhanden ist, stellen Sie sich in die Mitte zwischen den beiden, um für einen optimalen Empfang zu sorgen.

##### 7.1 Steuerung per Tastatur

- Einschalter der Strahler

Durch kurzes Drücken der Taste ON/OFF werden die Strahler eingeschaltet.

- Auswahl der Farbe

Mit der Taste COLOR kann zwischen den 12 zur Verfügung stehenden Farben gewählt werden. Mit jeder Tastenbetätigung wechselt man zur nächsten Farbe, wenn die letzte Farbe erreicht ist, geht es danach mit der ersten weiter. Die ausgewählte Farbe wird auf dem Display angezeigt.

FARNUMMER	FARNUMMER
1	Rot
2	Grün
3	Blau
4	Gelb
5	Cyan
6	Magentarot

FARNUMMER	FARNUMMER
7	Violett matt
8	Himmelblau
9	Orange
10	Rosa
11	Smaragegrün
12	Weiß

#### - Sequenz wählen:

Mit der Taste SEQUENCE kann zwischen den 8 zur Verfügung stehenden Sequenzen gewählt werden. Mit jeder Tastenbetätigung wechselt man zur nächsten Sequenz, wenn die letzte Sequenz erreicht ist, geht es danach mit der ersten weiter. Alle Sequenzen sind Kreisläufe und beginnen nach dem Ende eines Kreislaufs wieder von vorne.

Die gewählte Nummer der Sequenz wird auf dem Display mit einer Zahl zwischen 1 und 8 angezeigt.

SEQUENZ	REIHENFOLGE DER FARBEN												
Estival	Rot	Grün	Blau										
Caroline	Cyan	Magentarot	Gelb										
Iris	Grün	Smaragegrün	Cyan	Himmelblau	Blau	Himmelblau	Cyan	Smaragegrün					
Candy	Rot	Orange	Grün	Orange									
Tropical	Rot	Rosa	Blau	Rosa									
Paradise	Rot	Orange	Grün	Cyan	Blau	Rosa							
Abril	Violett matt	Magentarot	Cyan	Gelb	Weiß	Gelb	Cyan	Magentarot					
Eleven	Rot	Grün	Blau	Gelb	Cyan	Magentarot	Violett matt	Himmelblau	Orange	Rosa	Smaragegrün	Weiß	

#### - REFRESH-Taste

Bei Schwimmbecken mit mehr als einer LumiPlus Flexi lassen sich mit dieser Taste mehrere LumiPlus Flexi synchron schalten.

Wenn eine der LumiPlus Flexi nicht auf einen Befehl zum Farb- oder Sequenzwechsel reagiert, nahe an die LumiPlus Flexi herangehen und die REFRESH-Taste drücken, um den Befehl erneut zu senden und die LumiPlus Flexi mit den anderen LumiPlus Flexi synchron zu schalten.

#### - Geschwindigkeit der Sequenz einstellen

Mit den Tasten +/- lässt sich die Geschwindigkeit der gewählten Sequenz von langsam nach schnell regulieren.

#### - Ausschalter der Strahler

Durch Drücken der Taste ON/OFF werden die Strahler ausgeschaltet. Der Status (Farbe bzw. Sequenz) der LumiPlus Flexi wird bis zum erneuten Einschalten gespeichert.

#### - Ausschalten der Fernbedienung

Die Fernbedienung schaltet sich nach spätestens 60 Sekunden automatisch aus.

Die Leuchtanzeigen (LED) auf der Fernbedienung leuchten nicht immer, sondern nur für einen kurzen Moment.

### 7.2 Bewegungssteuerung (siehe Zeichnung S.40)

In diesem Modus können Farb- und Sequenzwechsel mit eingeschalteter Control- Motion-Bedienung gesteuert werden. Farbwechsel (Abb. A)

- Fernbedienung in die Hand nehmen, ohne eine Taste zu drücken.
- Eine schnelle Bewegung mit dem Handgelenk in senkrechter Richtung (von oben nach unten) machen.
- Der Farbwechsel wird auf dem Display angezeigt.

#### Sequenzwechsel (Abb. B)

- Fernbedienung in die Hand nehmen, ohne eine Taste zu drücken.
- Eine schnelle Bewegung mit dem Handgelenk in waagerechter Richtung (von rechts nach links oder umgekehrt) machen.
- Der Sequenzwechsel wird auf dem Display der Control- Motion-Steuerung angezeigt.

### 8. INSTANDHALTUNG DER CONTROL- MOTION- STEUERUNG:

Wenn auf dem Display durchgehend ein rotes Licht leuchtet, zeigt das an, dass die Batterien leer sind. Das Batteriefach auf der Unterseite der Fernbedienung öffnen und zwei neue Batterien vom Typ AAA 1,5 V einlegen.

### 9. STROMANSCHLUSS:

Zur korrekten Installation sind die LumiPlus Flexi, der Transformator und die Control- Motion-Steuerung notwendig (siehe Zeichnung S. 40).

Den Transformator an das 230-V-Stromnetz (WS) anschließen und die LumiPlus Flexi (12 V-WS) an den Transformator anschließen. Der Transformator muss für die Leistung der angeschlossenen LumiPlus Flexi ausgelegt sein (siehe Tabelle

auf der Rückseite). Wenn zum Beispiel 3 LumiPlus Flexi RGB V1 von je 29VA gesteuert werden sollen, müssen sie parallel an einen Transformator von mindestens 100VA angeschlossen werden. Der Taster muss so ausgelegt sein, dass er der verbrauchten Leistung pro Anzahl der Leuchten in der Installation angemessen ist.

Für ein ordnungsgemäßes Funktionieren ist es sehr wichtig, dass LumiPlus Flexi die 12Vac erhält. LumiPlus Flexi wird mit einem Kabel 2x1mm<sup>2</sup> H07RN-F von 2,5 m geliefert. Falls diese Länge nicht ausreicht, kann das Kabel ersetzt werden (siehe Seite 31). Wenn das Originalkabel ersetzt oder verlängert wird, muss der spezifische Durchmesser für jede Installation berechnet werden, um sicherzustellen, dass die 12 Volt den LumiPlus Flexi erreichen und um Spannungsabfälle zu vermeiden.

Das System kann wahlweise auch mittels einer NC-Taste gesteuert werden, in diesem Fall kann zwischen 14 Betriebsarten gewählt werden: 7 feste Farben und 7 verschiedene Farbsequenzen. Mit einer kurzen Tastenbetätigung wechselt man zur nächsten Farbe oder Sequenz. Mit einer langen Tastenbetätigung wird auf Weiß geschaltet.

## 10. STÖRUNG / LÖSUNG:

Störung	Ursache	Lösung
LumiPlus Flexi funktioniert nicht	LumiPlus Flexi haben keine Stromversorgung	LumiPlus Flexi über einen 12V-WS-Sicherheitstransformator an das Stromnetz anschließen
Die LumiPlus Flexi leuchtet in einer anderen Farbe als auf dem Display der Control-Motion-Steuerung angezeigt wird	Die LumiPlus Flexi bzw. Lichtpunkte empfangen keine Daten	1. Vor Betätigung der Steuerung nahe an LumiPlus Flexi bzw. Lichtpunkt herangehen
Zwei LumiPlus Flexi leuchten in verschiedenen Farben		2. Den Antennenbereich nicht mit der Hand verdecken
Die LumiPlus Flexi bzw. der Lichtpunkt lässt sich nicht mit der Bewegungssteuerung steuern		3. Die Taste REFRESH drücken
Control Motion reagiert nicht	Die Batterie des Control Motion ist leer	Neue Batterien einlegen

## 11. SICHERHEITSVORSCHRIFTEN:

- Die Leuchte muss so angebracht werden, dass nicht von einem längeren Blick in die Leuchte aus einer Entfernung von weniger als 2,36m ausgegangen werden kann (dies gilt nur für die Module LED RGB).
- Wenn das Flexkabel bzw. Kabel dieser Leuchte beschädigt ist, darf es nur vom Hersteller oder dessen technischem Kundendienst ersetzt werden, bzw. von einer Fachkraft mit vergleichbaren Qualifikationen, um jedes Risiko zu vermeiden.
- Die Leuchtquelle dieser Leuchte darf nur vom Hersteller, dessen technischem Kundendienst oder einer entsprechend qualifizierten Fachkraft ausgewechselt werden.
- Die mit der Montage beauftragten Personen müssen über die für diese Art Arbeiten erforderliche Qualifizierung verfügen.
- Der Kontakt mit der Elektrospannung muß vermieden werden.
- Zu diesem Zweck müssen die Normen IEC 364-7-702: ELEKTROINSTALLATIONEN IN GEBÄUDEN. SPEZIALINSTALLATIONEN. SWIMMINGPOOLS angewendet werden.
- Jede Art Wartung oder Auslausch von Teilen darf nur vorgenommen werden, wenn der Strahler von der Stromzufuhr abgeschaltet ist.
- Am Strahler darf nie gearbeitet werden, wenn die Füße naß sind.
- LumiPlus Flexi ist NUR FÜR DIE NUTZUNG UNTER WASSER ausgelegt und DARF NUR MIT EINEM SICHERHEITSTRANSFORMATOR BETRIEBEN WERDEN.
- LumiPlus Flexi widersteht zu den Behandlungen von Schwimmbecken, nächstens beschrieben, solange die Werte von Konzentration die folgenden Werte nicht übertreffen.

VERARBEITUNGS-TYP	KONZENTRATION IN WASSER
Chlor	2 mg/l
Brom	5 mg/l
Salinen-Elektrolysen (Na Cl)	6 g/l

**Achtung:** Nehmen Sie bitte zur Kenntnis, dass die Ph von Poolwasser immer zwischen 7.2 und 7.6 sein müssen.

# PORTUGUÊS

**IMPORTANTE:** O manual de instruções que você tem nas mãos contém informação fundamental sobre as medidas de segurança a tomar ao realizar a instalação e a colocação em funcionamento. Por isso, é imprescindível que tanto o instalador como o utilizador leiam as instruções antes de realizar a montagem e a colocação em funcionamento. Guarde este manual para futuras consultas sobre o funcionamento deste aparelho.

Para conseguir um ótimo rendimento do LumiPlus Flexi, é conveniente observar as instruções que se indicam abaixo:

## 1. VERIFIQUE O CONTEÚDO DA EMBALAGEM:

71205	71206	71207
<ul style="list-style-type: none"><li>- 1 LumiPlus Flexi RGB V1 Wireless</li><li>- Saco de acessórios: bucim FlexiNiche, bucim FlexiRapid, 1 junta, 1 anel de vedação, anilha, cabo e parafusos de fixação (1 parafuso de fixação do ponto de luz no embelezador + 3 parafusos de fixação no bucim)</li><li>- Folheto de garantia</li><li>- Manual de Instruções</li></ul>	<ul style="list-style-type: none"><li>- 1 LumiPlus Flexi RGB V1 Wireless</li><li>- 1 LumiPlus Control Motion</li><li>- Saco de acessórios: bucim FlexiNiche, bucim FlexiRapid, 1 junta, 1 anel de vedação, anilha, cabo e parafusos de fixação (1 parafuso de fixação do ponto de luz no embelezador + 3 parafusos de fixação no bucim)</li><li>- Folheto de garantia</li><li>- Manual de Instruções</li></ul>	<ul style="list-style-type: none"><li>- 2 LumiPlus Flexi RGB V1 Wireless</li><li>- 1 LumiPlus Control Motion</li><li>- 2 Saco de acessórios: bucim FlexiNiche, bucim FlexiRapid, 1 junta, 1 anel de vedação, anilha, cabo e parafusos de fixação (1 parafuso de fixação do ponto de luz no embelezador + 3 parafusos de fixação no bucim)</li><li>- Folheto de garantia</li><li>- Manual de Instruções</li></ul>

## 2. CARACTERÍSTICAS GERAIS:

LumiPlus Flexi foi concebido para ser utilizado totalmente submerso em água. Trata-se de um aparelho elétrico da classe III com urna tensão de segurança muito baixa (**12 V com corrente alterna**).

LumiPlus Flexi cumpre o grau de proteção IPX8 - 2 m.

Profundidade máxima de instalação: 0,4 metros em relação à superfície da água.

De acordo com a norma EN 50065, o ponto de luz é a classe 116.

LumiPlus Flexi cumpre as normas internacionais de segurança de aparelhos de iluminação, em especial a norma EN 60598-2-18. APARELHOS DE ILUMINAÇÃO PARTE 2: REQUISITOS ESPECIAIS SECÇÃO 18 APARELHOS DE ILUMINAÇÃO PARA PISCINAS E APLICAÇÕES SIMILARES.

O fabricante não se responsabiliza em nenhum caso pela montagem, instalação ou colocação em funcionamento, por qualquer manipulação ou incorporação de componentes elétricos que não tenham sido realizadas nas suas instalações.

## 3. INSTALAÇÃO:

• Para iluminar correctamente uma piscina recomenda-se que:

Instalar um LumiPlus Flexi V1 a cada 20 m<sup>2</sup> de superfície de água.

Instalar um LumiPlus Flexi V2 a cada 25 m<sup>2</sup> de superfície de água.

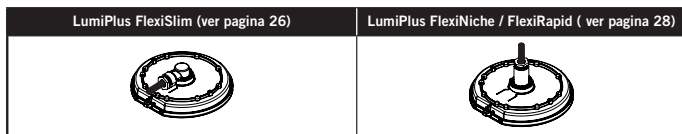
**Nota:** Recomendações válidas para piscinas com cores claras. Em piscinas de cores escuras ou de aço inoxidável recomenda-se aumentar a proporção de pontos de luz por m<sup>2</sup>.

- É da responsabilidade do instalador que a zona dos conectores fique perfeitamente estanque.
- As caixas de ligação devem estar pelo menos a 2 m da borda da piscina ou da instalação aquática.
- O transformador de 230/12 V que alimenta LumiPlus Flexi deve estar instalado a uma distância de 3,5 m da borda da piscina ou da instalação aquática.
- As canalizações instaladas a menos de 3,5 m da borda da piscina não podem ter nenhum revestimento nem cobertura metálica.
- A secção mínima de cabo que admite LumiPlus Flexi é de 2x1 mm<sup>2</sup> H07RN-F.
- A secção máxima de cabo que admite LumiPlus Flexi é de 2x2,5 mm<sup>2</sup> H07RN-F.
- A secção máxima de cabo compatível com LumiPlus Flexi Nicho e Flexi Rapid é de 2 x 2,5 mm<sup>2</sup> H07RN-F; no caso do Flexi Slim, a secção máxima de cabo compatível é de 2 x 1,5 mm<sup>2</sup> H07RN-F.
- Caso a secção de cabo existente seja de 2x4mm<sup>2</sup> H07RN-F até 2x6mm<sup>2</sup> H07RN-F, dever-se-á efetuar uma junção subaquática. Para garantir o funcionamento correto do projetor LumiPlus Flexi, recomendamos usar o kit de ligação subaquática código AstralPool 32803.

### ATENÇÃO

EM CIRCUNSTÂNCIA ALGUMA SE DEVE UTILIZAR UM PARAFUSO DIFERENTE DO FORNECIDO PARA FIXAR O BUCIM DE LUMIPLUS FLEXI, JÁ QUE PODERIA ATRAVESSÁ-LO E PROVOCAR A ENTRADA DE ÁGUA.

#### 4. MONTAGEM:



Descreve-se a seguir como ligar LumiPlus Flexi com o cabo para garantir a estanquidade na zona de ligações. É importante seguir os seguintes passos:

1. Assegurar-se de que não há tensão elétrica antes de manipular qualquer cabo.
2. Colocar o anel de vedação.
3. Ligar o cabo ao ponto de luz e apertar os dois parafusos.
4. Passar o cabo através do conjunto de buçins.
5. Fixar o buçim ao corpo do projetor, de acordo com a posição marcada. Depois, fixam-se os três parafusos.
6. Tentar que a borracha do cabo fique dentro da zona de ligações. Depois, pode-se apertar o buçim com uma chave 6 N.m.
7. Assegurar-se de que o cabo fica bem fixo e não sai do buçim.
8. Uma vez ligado, pode-se proceder à fixação do projetor na piscina (ver manual do embelezador).

#### 5. MANUTENÇÃO:

LumiPlus Flexi não requer qualquer tipo de manutenção. Se não funcionar corretamente, por favor, ponha-se em contacto com o nosso departamento de apoio ao cliente.

**⚠ É PROIBIDO ACEDER AO INTERIOR DO PONTO DE LUZ, TAL ANULARIA A GARANTIA.**

#### 6. CONTROL MOTION:

Frequência de funcionamento: 868 MHz.

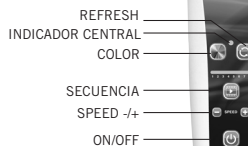
Alcance em campo aberto: 5 m.

Bateria: 2 pilhas AAA de 1,5 V.

O Control Motion possui 6 botões: COLOR, REFRESH, SEQUENCE, SPEED (-/+), ON/OFF

As principais funções do comando à distância são:

- O botão COLOR permite seleccionar uma entre as 12 cores fixas disponíveis.
- O botão REFRESH permite realizar a sincronização das cores e sequências.
- O botão SEQUÊNCIA permite seleccionar uma entre as 8 sequências disponíveis.
- O botão SPEED permite seleccionar a velocidade da sequência: 8 velocidades disponíveis.
- O botão ON/OFF permite ligar e desligar LumiPlus Flexi.



#### ATENÇÃO

**NÃO COBRIR COM A MÃO A PARTE SUPERIOR DOS BOTÕES DO CONTROL MOTION**

#### 7. FUNCIONAMENTO:

O Control Motion pode controlar o(s) LumiPlus Flexi através do teclado ou do movimento.

Para que o ponto de luz responda ao Control Motion deve aproximar-se do LumiPlus Flexi. Se tiver mais de um ponto de luz, coloque-se no meio dos dois para garantir uma boa recepção.

##### 7.1 Controlo por teclado

- Ligação dos LumiPlus Flexi

Para ligar os LumiPlus Flexi, premer a tecla ON/OFF durante um breve instante.

- Seleccionar cor

A tecla COLOR permite seleccionar uma das 12 cores disponibilizadas pelo sistema. Com cada toque realiza-se uma alteração de cor. Ao atingir a última cor, se o utilizador pressionar a tecla novamente, regressará à primeira cor. A cor escolhida visualiza-se no Indicador Central.

Nº DE COR	COR
1	Vermelho
2	Verde
3	Azul
4	Amarelo
5	Ciano
6	Magenta

Nº DE COR	COR
7	Violeta pálido
8	Cerúleo
9	Laranja
10	Rosa
11	Verde esmeralda
12	Branco

#### - Seleccionar sequência

A tecla SEQUENCE permite seleccionar uma das 8 sequências disponibilizadas pelo sistema. Com cada toque realiza-se uma alteração de sequência. Ao atingir a última cor, se o utilizador pressionar a tecla novamente, regressará à primeira sequência. Todas as sequências são cíclicas, ao chegar à última sequência, o ciclo volta a começar.

O número da sequência aparece iluminado nos indicadores do 1 ao 8.

SEQUÊNCIA		ORDEM DAS CORES											
1	Vermelho	Verde	Azul										
2	Ciano	Magenta	Amarillo										
3	Verde	Verde esmeralda	Ciano	Cerúleo	Azul	Cerúleo	Ciano	Verde esmeralda					
4	Vermelho	Laranja	Verde	Laranja									
5	Vermelho	Rosa	Azul	Rosa									
6	Vermelho	Laranja	Verde	Ciano	Azul	Rosa							
7	Violeta pálido	Magenta	Ciano	Amarillo	Branco	Amarillo	Ciano	Magenta					
8	Vermelho	Verde	Azul	Amarillo	Ciano	Magenta	Violeta pálido	Cerúleo	Laranja	Rosa	Verde esmeralda	Branco	

#### - Botão Refresh

Em piscinas com mais de um LumiPlus Flexi, utiliza-se para sincronizar vários LumiPlus Flexi.

Se alguma dos LumiPlus Flexi não responder à ordem COR/SEQUÊNCIA, será preciso aproximar-se o LumiPlus Flexi e premer o botão REFRESH. Este enviará a última ordem e LumiPlus Flexi irá sincronizar-se com as demais.

#### - Seleccionar a velocidade da sequência

As teclas +/- permitem seleccionar uma velocidade de sequência entre as 8 disponíveis, ordenadas de menor a maior velocidade.

#### - Desligamento dos LumiPlus Flexi

Para desligar os LumiPlus Flexi, premer uma vez a tecla ON/OFF. O estado (cor ou sequência) dos LumiPlus Flexi é guardado na memória à espera da seguinte ligação do sistema.

#### - Desligamento do comando à distância

O comando à distância desliga-se automaticamente em menos de 60 segundos.

Os indicadores luminosos (LEDs) do comando à distância não ficam sempre acesos, só se iluminam durante um breve instante.

### 7.2 Controlo por movimento (ver a figura da pág. 40)

Este modo permite controlar a alteração da COR e a alteração da SEQUÊNCIA com o Control Motion ligado.

#### Alteração da cor (Fig. A)

- Segurar bem o comando à distância sem tocar nenhuma tecla.
- Fazer um movimento de pulso rápido na direcção vertical (de cima para baixo).
- A alteração de cor é indicada pelo Indicador Central.

#### Alteração de sequência (Fig. B)

- Segurar bem o comando à distância sem nenhuma tecla.
- Fazer um movimento de pulso rápido na direcção horizontal (de um lado para o outro).
- A alteração de sequência é indicada pelo Indicador Central do Control Motion.

### 8. MANUTENÇÃO DO CONTROL MOTION:

O Indicador Central iluminado fixamente em vermelho está a indicar que as pilhas estão esgotadas. Neste caso, abrir compartimento das pilhas que se encontra na parte traseira do Control Motion e substituir as pilhas esgotadas por 2 pilhas novas do tipo AAA 1,5 V.

### 9. LIGAÇÃO ELÉCTRICA:

Para uma correcta instalação, é preciso dispor dos seguintes elementos: LumiPlus Flexi, transformador e Control Motion (ver a figura da pág.40).

Ligar o transformador à rede eléctrica de 230 V~ac e a LumiPlus Flexi (12 V~ac) ao secundário.



O secundário deve estar dimensionado para fornecer os VA correspondentes a cada LumiPlus Flexi que se pretenda ligar (ver a tabela na contracapa). Por exemplo, se desejar controlar 3 LumiPlus Flexi RGB V1 de 29 VA cada um, deverá ligá-los em paralelo a um transformado de, no mínimo, 100 VA. O botão deverá estar dimensionado para suportar a potência consumida pelo número de pontos de luz da instalação.

É muito importante para um funcionamento adequado que LumiPlus Flexi receba os 12 VAC. LumiPlus Flexi é fornecido com um cabo de 2x1 mm<sup>2</sup> H07RN-F de 2,5 metros. Se o comprimento for insuficiente, o cabo poderá ser substituído (ver pagina. 31). Se substituir ou prolongar o cabo original, é necessário realizar um cálculo de secções específico para cada instalação, com o fim de garantir que os 12 volts chegam a LumiPlus Flexi e evitar quedas de tensão.

Opcionalmente o sistema pode ser controlado por meio de um simples botão NC. Neste caso, disponibilizam-se 14 modos de funcionamento: 7 cores fixas e 7 sequências de cores diferentes. Com cada toque rápido, realiza-se uma alteração de cor ou sequência. Com um toque longo, LumiPlus Flexi passam para a cor branca.

## 10. PROBLEMAS/ SOLUÇÃO:

Problema	Causa	Solução
O LumiPlus Flexi não funciona.	O LumiPlus Flexi não está a receber alimentação da rede.	Ligar o LumiPlus Flexi à rede eléctrica através de um transformador de segurança 12 Vac.
O LumiPlus Flexi projecta uma cor diferente à do Indicador Central do Control Motion.	Os LumiPlus Flexi não estão a receber informação.	1. Aproximar-se do LumiPlus Flexi antes de enviar uma ordem.
Dois LumiPlus Flexi projectam cores diferentes.		2. Não cobrir a zona da antena com a mão.
Com o controlo de movimento, o LumiPlus Flexi não funciona.		3. Premer o botão REFRESH.
O Control Motion não responde.	A bateria do Control Motion está esgotada.	Substituir por pilhas novas.

## 11. ADVERTENCIAS DE SEGURANZA:

- A luminária deve ser colocada de forma a que não se espere um olhar prolongado para a mesma a uma distância inferior a 2,36 m<sup>2</sup> (isto aplica-se apenas aos módulos LED RGB).
- Se o cabo flexível ou fio desta luminária estiver danificado, deverá ser substituído exclusivamente pelo fabricante, pelo seu serviço técnico ou por uma pessoa com qualificações equivalentes para evitar riscos.
- A fonte de luz desta luminária só deve ser substituída pelo fabricante, pelo seu serviço técnico ou por uma pessoa com qualificações equivalentes.
- As pessoas que se encarreguem da montagem devem ter a qualificação exigida para este tipo de trabalho.
- Dever-se-á evitar entrar em contacto com a tensão eléctrica.
- As normas vigentes para a prevenção de acidentes devem ser respeitadas.
- A esse respeito, deve-se-ao cumprir as normas IEC 364-7-702: INSTALAÇÕES ELÉTRICAS EM EDIFÍCIOS. INSTALAÇÕES ESPECIAIS PISCINAS.
- Qualquer operação de manutenção ou de substituição de peças deve ser realizada com o projetor desligado da rede.
- Não manipular com os pés molhados.
- LumiPlus Flexi foi pensado PARA SER UTILIZADO EXCLUSIVAMENTE SUBMERGIDO EM ÁGUA e criado PARA FUNCIONAR APENAS COM UM TRANSFORMADOR DE SEGURANÇA.
- LumiPlus Flexi resiste aos tratamentos de piscina descritos seguidamente sempre que os valores de concentração não superem os seguintes valores:

TIPO DE TRATAMENTO	CONCENTRAÇÃO NA ÁGUA
Cloro	2 mg/l
Bromo	5 mg/l
Eletrólisis do sal (Na Cl)	6 g/l

Atenção: note que o Ph da água da piscina deve estar sempre entre 7,2 e 7,6.

- A alimentação deste tipo de luminárias deve ser realizada com transformadores de segurança, conforme a norma EN 61558 "Segurança de Transformadores, unidades de alimentação e análogos, parte 2-6: Regras particulares para transformadores de segurança para uso geral".
- A instalação do transformador deve obedecer ao especificado nas "Regras Técnicas de Instalações Eléctricas de Baixa Tensão (Portaria nº 949-A/2006, de 11 de Setembro)", em particular no que respeita à sua parte 7 "Regras para Instalações e Locais Especiais".

**ΣΗΜΑΝΤΙΚΟ:** Το εγχειρίδιο οδηγιών που έχετε στα χέρια σας περιλαμβάνει σημαντικές πληροφορίες σχετικά με τα μέτρα ασφαλείας που πρέπει να υλοποιηθούν για την εγκατάσταση και τη θέση σε λειτουργία. Συνεπώς, τόσο ο τεχνικός εγκατάστασης όσο και ο χρήστης πρέπει να μελετήσουν τις οδηγίες αυτές πριν ξεκινήσουν την εγκατάσταση και πριν θέσουν σε λειτουργία τον εξοπλισμό.

Φυλάξτε αυτό το εγχειρίδιο για να μπορείτε να το συμβουλευέστε στο μέλλον.

Για την επίτευξη της βέλτιστης απόδοσης του LumiPlus Flexi, ακολουθήστε τις παρακάτω οδηγίες

## 1. ΕΠΑΛΘΟΥΣΤΕ ΤΑ ΠΕΡΙΕΧΟΜΕΝΑ ΤΗΣ ΣΥΣΚΕΥΑΣΙΑΣ:

71205	71206	71207
<ul style="list-style-type: none"> <li>- 1 Ασύρματος προβολέας Lumiplus Flexi RGB V1</li> <li>- 1 Σάκος εξαρτημάτων: Στυπιοθλιπτής καλωδίου FlexiNiche, Στυπιοθλιπτής καλωδίου FlexiRapid, 1 δακτύλιος στεγανοποίησης, 1 στεγανωτικό παρέμβυσμα κυκλικής διατομής, φλάντζα, καλώδιο και κοχλίες στερέωσης (1 για το βίδωμα του προβολέα στην πρόσθια όψη + 3 για το βίδωμα του στυπιοθλιπτή καλωδίου)</li> <li>- Βιβλιάριο εγγύησης</li> <li>- Εγχειρίδιο οδηγιών</li> </ul>	<ul style="list-style-type: none"> <li>- 1 Ασύρματος προβολέας Lumiplus Flexi RGB V1</li> <li>- 1 Χειριστήριο κίνησης LumiPlus</li> <li>- 1 Σάκος εξαρτημάτων: Στυπιοθλιπτής καλωδίου FlexiNiche, Στυπιοθλιπτής καλωδίου FlexiRapid, 1 δακτύλιος στεγανοποίησης, 1 στεγανωτικό παρέμβυσμα κυκλικής διατομής, φλάντζα, καλώδιο και κοχλίες στερέωσης (1 για το βίδωμα του προβολέα στην πρόσθια όψη + 3 για το βίδωμα του στυπιοθλιπτή καλωδίου)</li> <li>- Βιβλιάριο εγγύησης</li> <li>- Εγχειρίδιο οδηγιών</li> </ul>	<ul style="list-style-type: none"> <li>2 Ασύρματος προβολέας Lumiplus Flexi RGB V1</li> <li>- 1 Ασύρματος προβολέας Lumiplus Flexi RGB V1</li> <li>- 1 Χειριστήριο κίνησης LumiPlus</li> <li>- 2 Σάκος εξαρτημάτων: Στυπιοθλιπτής καλωδίου FlexiNiche, Στυπιοθλιπτής καλωδίου FlexiRapid, 1 δακτύλιος στεγανοποίησης, 1 στεγανωτικό παρέμβυσμα κυκλικής διατομής, φλάντζα, καλώδιο και κοχλίες στερέωσης (1 για το βίδωμα του προβολέα στην πρόσθια όψη + 3 για το βίδωμα του στυπιοθλιπτή καλωδίου)</li> <li>- Βιβλιάριο εγγύησης</li> <li>- Εγχειρίδιο οδηγιών</li> </ul>

## 2. ΓΕΝΙΚΑ ΧΑΡΑΚΤΗΡΙΣΤΙΚΑ:

Το LumiPlus Flexi έρχεται με πλήρω βυθισμένο κάτω από την επιφάνεια του νερού. Πρόκειται για μια ηλεκτρική διάταξη Κλάσης III με πολύ χαμηλή (**12 V με εναλλασσόμενο ρεύμα**). Το LumiPlus Flexi εμπίπτει 116 κατά το πρότυπο EN 50065.

Το LumiPlus Flexi συμμορφώνεται με το IPX8 - 2 m.

Μέγιστο βάθος εγκατάστασης: 0,4 μέτρα από την επιφάνεια του νερού.

Το LumiPlus Flexi συμμορφώνεται με τα διεθνή πρότυπα ασφαλείας για τους προβολείς και ειδικότερα με το πρότυπο EN 60598-2-18: ΠΡΟΒΟΛΕΙΣ ΜΕΡΟΣ 2: ΕΙΔΙΚΕΣ ΑΠΑΙΤΗΣΕΙΣ ΕΝΟΤΗΤΑΣ 18: ΦΩΤΙΣΤΙΚΑ ΣΧΗΜΑΤΑ ΓΙΑ ΠΙΣΙΝΕΣ ΚΑΙ ΠΑΡΟΜΟΙΕΣ ΕΦΑΡΜΟΓΕΣ. Ο κατασκευαστής δεν δύναται να καταστεί υπεύθυνος σε καμία περίπτωση για τη συναρμολόγηση, εγκατάσταση ή θέση σε λειτουργία οποιουδήποτε ηλεκτρικού εξαρτήματος, το οποίο έχει εισαχθεί ή υποβληθεί σε επεξεργασία σε τοποθεσία εκτός των εγκαταστάσεών του.

## 3. ΕΓΚΑΤΑΣΤΑΣΗ:

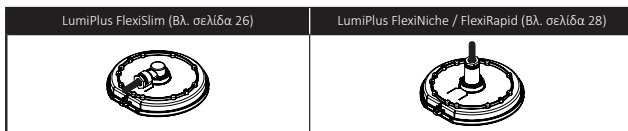
- Για να φωτίσετε σωστά μια πισίνα συνιστούμε τα εξής:  
Να εγκαταστήσετε ένα LumiPlus Flexi V1 για κάθε 20 m<sup>2</sup> επιφάνειας νερού.  
Να εγκαταστήσετε ένα LumiPlus Flexi V2 για κάθε 25 m<sup>2</sup> επιφάνειας νερού.  
Σημείωση: Συνιστάται ιδιαίτερα για πισίνες ανοιχτού χρώματος. Σε πισίνες με σκούρο φινιρίσμα ή φινιρίσμα ανοξείδωτου χάλυβα, συνιστάται η χρήση περισσότερων προβολέων ανά m<sup>2</sup>.
- Ο τεχνικός εγκατάστασης είναι υπεύθυνος για να διασφαλίσει ότι η περιοχή γύρω από τους συνδέσμους είναι απολύτως υδατοστεγής.
- Τα κίβωτα συνδέσεων πρέπει να τοποθετούνται τουλάχιστον 2 m από την άκρη της πισίνας ή της εγκατάστασης νερού.
- Ο μετασχηματιστής 230/12 V που τροφοδοτεί το LumiPlus Flexi πρέπει να εγκατασταθεί σε απόσταση 3,5 m από την άκρη της πισίνας ή της εγκατάστασης νερού.
- Οι αγωγοί καλωδίων που τοποθετούνται σε απόσταση μικρότερη των 3,5 m από την άκρη της πισίνας, πρέπει να είναι κατασκευασμένοι από μέταλλο.
- Η μικρότερη κατακόρυφη διατομή καλωδίου που μπορεί να χρησιμοποιηθεί με το LumiPlus Flexi είναι 2 x 1 mm<sup>2</sup> H07RN-F.
- Η μεγαλύτερη κατακόρυφη διατομή καλωδίου που μπορεί να χρησιμοποιηθεί με το LumiPlus Flexi είναι 2 x 2,5 mm<sup>2</sup> H07RN-F.
- Το μεγαλύτερο καλώδιο που μπορεί να χρησιμοποιηθεί για τους προβολείς LumiPlus Flexi Niche και Flexi Rapid είναι ένα H07RN-F με διατομή 2 x 2,5 mm<sup>2</sup>, ενώ στην περίπτωση των προβολέων Flexi Slim, το μεγαλύτερο καλώδιο που μπορεί να χρησιμοποιηθεί είναι ένα H07RN-F με διατομή 2 x 1,5 mm<sup>2</sup>.

- Σε περίπτωση που το καλώδιο H07RN-F έχει κατακόρυφη διατομή 2 x 4 mm<sup>2</sup> ή 2 x 6 mm<sup>2</sup>, πρέπει να πραγματοποιηθεί υποβρύχια συγκόλληση. Για να διασφαλιστεί η ορθή λειτουργία του προβολέα LumiPlus Flexi, συνιστούμε τη χρήση του kit υποβρύχιας σύνδεσης της AstralPool (κωδικός 32803).

#### ΠΡΟΣΟΧΗ

ΔΕΝ ΠΡΕΠΕΙ ΣΕ ΚΑΜΙΑ ΠΕΡΙΠΤΩΣΗ ΝΑ ΧΡΗΣΙΜΟΠΟΙΗΘΟΥΝ ΔΙΑΦΟΡΕΤΙΚΟΙ ΚΟΧΛΙΕΣ ΑΠΟ ΑΥΤΟΥΣ ΠΟΥ ΠΑΡΕΧΟΝΤΑΙ ΓΙΑ ΤΟ ΒΙΔΩΜΑ ΤΟΥ ΣΤΥΠΙΟΘΛΙΠΤΗ ΚΑΛΩΔΙΟΥ ΤΟΥ LUMIPLUS FLEXI, ΚΑΘΩΣ ΥΠΑΡΧΕΙ ΚΙΝΔΥΝΟΣ ΦΘΟΡΑΣ ΤΟΥ ΕΞΑΡΤΗΜΑΤΟΣ ΚΑΙ ΕΙΣΧΩΡΗΣΗΣ ΝΕΡΟΥ ΣΤΟ ΕΞΩΤΕΡΙΚΟ ΤΟΥ.

#### 4. ΣΥΝΑΡΜΟΛΟΓΗΣΗ:



Ακολουθεί μια περιγραφή του τρόπου σύνδεσης του LumiPlus Flexi στο καλώδιο για τη διασφάλιση της υδατοστεγανότητας στο σημείο της σύνδεσης. Είναι σημαντικό να ακολουθήσετε τα παρακάτω βήματα:

1. Βεβαιωθείτε ότι δεν υπάρχει τάση πριν χειριστείτε οποιοδήποτε καλώδιο.
2. Τοποθετήστε το στεγανωτικό παρέμβυσμα κυκλικής διατομής στη θέση του.
3. Συνδέστε το καλώδιο στον προβολέα και σφίξτε τους δύο κοχλίες.
4. Περάστε το καλώδιο μέσα από το περικόχλιο του καλύμματος στυπιοθλίπτη του καλωδίου.
5. Τοποθετήστε τον στυπιοθλίπτη καλωδίου στο σώμα του προβολέα, σύμφωνα με την εικόνα. Στη συνέχεια, βιδώστε τους τρεις κοχλίες.
6. Βεβαιωθείτε ότι το χιτώνιο του καλωδίου παραμένει στη θέση του στο σημείο της σύνδεσης και κατόπιν σφίξτε τον στυπιοθλίπτη καλωδίου χρησιμοποιώντας ένα κλειδί (6 N.m).
7. Βεβαιωθείτε ότι το καλώδιο έχει σφίξει με δύναμη, ούτως ώστε να μην είναι χαλαρό σε σχέση με τον στυπιοθλίπτη.
8. Μόλις ολοκληρωθεί η σύνδεση, ο προβολέας μπορεί να τοποθετηθεί στην πισίνα (βλ. εγχειρίδιο πρόσθιας όψης).

#### 5. MAINTENANCE:

Το LumiPlus Flexi δεν χρειάζεται συντήρηση. Εάν διαπιστώσετε ότι ο προβολέας δεν λειτουργεί κανονικά, επικοινωνήστε με το τμήμα εξυπηρέτησης πελατών μας.

**⚠ ΜΗΝ ΕΠΙΧΕΙΡΙΣΤΕ ΝΑ ΧΕΙΡΙΣΤΕΙΤΕ ΤΑ ΕΞΩΤΕΡΙΚΑ ΕΞΑΡΤΗΜΑΤΑ ΤΟΥ ΠΡΟΒΟΛΕΑ, ΚΑΘΩΣ ΑΥΤΟ ΘΑ ΑΚΥΡΩΣΕΙ ΤΗΝ ΕΓΓΥΗΣΗ ΤΟΥ ΠΡΟΪΟΝΤΟΣ.**

#### 6. ΧΕΙΡΙΣΤΗΡΙΟ ΚΙΝΗΣΗΣ:

Συχνότητα λειτουργίας: 868 MHz

Εύρος σε ανοιχτό πεδίο: 5 m

Μπαταρίες: 2 μπαταρίες AAA-1,5 V.

Το χειριστήριο κίνησης διαθέτει 6 κουμπιά: ΧΡΩΜΑ, ΑΝΑΝΕΩΣΗ, ΑΛΛΗΛΟΥΧΙΑ, ΤΑΧΥΤΗΤΑ (-/+), ON/OFF

Οι βασικές λειτουργίες του τηλεχειριστηρίου είναι:

- ΧΡΩΜΑ: επιλέγει ένα από τα 12 διαθέσιμα βασικά χρώματα.
- ΑΝΑΝΕΩΣΗ: επαναφέρει το χρώμα / τις αλληλουχίες
- ΑΛΛΗΛΟΥΧΙΑ: επιλέγει μία από τις 8 διαθέσιμες αλληλουχίες.
- ΤΑΧΥΤΗΤΑ: επιλέγει μία από τις 8 διαθέσιμες ταχύτητες.
- ON/OFF: ενεργοποιεί και απενεργοποιεί το LumiPlus Flexi.



#### ΠΡΟΣΟΧΗ

ΜΗΝ ΤΟΠΟΘΕΤΕΙΤΕ ΤΟ ΧΕΡΙ ΣΑΣ ΕΠΑΝΟ ΑΠΟ ΤΑ ΚΟΥΜΠΙΑ ΣΤΟ ΧΕΙΡΙΣΤΗΡΙΟ ΚΙΝΗΣΗΣ

#### 7. ΛΕΙΤΟΥΡΓΙΑ:

Το χειριστήριο κίνησης επιτρέπει τον έλεγχο του LumiPlus Flexi χρησιμοποιώντας ένα πληκτρολόγιο ή κίνηση.

Για να εξασφαλιστεί η βέλτιστη απόκριση του φωτιστικού, τοποθετήστε το χειριστήριο κίνησης κοντά στο LumiPlus Flexi. Εάν

έχετε περισσότερες από μία πηγές φωτισμού, τοποθετήστε τη συσκευή στο μέσον της απόστασης ανάμεσα στις δύο πηγές, για να εξασφαλίσετε τη βέλτιστη λήψη.

#### 7.1 Τηλεχειρισμός

##### - Ενεργοποίηση του LumiPlus Flexi

Πατώντας το κουμπί ON/OFF για μερικά δευτερόλεπτα, το LumiPlus Flexi ενεργοποιείται.

##### - Επιλογή χρωμάτων

Το κουμπί ΧΡΩΜΑ σας δίνει τη δυνατότητα να επιλέξετε ένα από τα 12 διαθέσιμα χρώματα. Κάθε φορά που πατάτε το κουμπί, το χρώμα αλλάζει. Όταν φτάσετε στο τελευταίο χρώμα, αν πατήσετε ξανά το κουμπί θα επιστρέψετε στο πρώτο χρώμα. Το επιλεγμένο χρώμα εμφανίζεται στην κεντρική οθόνη.

Αρ. ΧΡΩΜΑΤΟΣ	ΧΡΩΜΑ
1	Κόκκινο
2	Πράσινο
3	Μπλε
4	Κίτρινο
5	Κυανό
6	Ματζέντα

Αρ. ΧΡΩΜΑΤΟΣ	ΧΡΩΜΑ
7	Γαλάζιο
8	Ανοιχτό μωβ
9	Πορτοκαλί
10	Ροζ
11	Σμαραγδοπράσινο
12	Λευκό

##### - Επιλογή αλληλουχιών

Το κουμπί ΑΛΛΗΛΟΥΧΙΑ σας δίνει τη δυνατότητα να επιλέξετε μία από τις 8 διαθέσιμες αλληλουχίες. Κάθε φορά που πατάτε το κουμπί, η αλληλουχία αλλάζει. Όταν φτάσετε στην τελευταία αλληλουχία, αν πατήσετε ξανά το κουμπί θα επιστρέψετε στην πρώτη αλληλουχία. Όλες οι αλληλουχίες λειτουργούν σε κύκλους. Όταν έρχεται η σειρά της τελευταίας αλληλουχίας, ο κύκλος ξεκινά από την αρχή.

Οι αριθμοί των αλληλουχιών εμφανίζονται στην οθόνη, από 1 έως 8.

ΑΛΛΗΛΟΥΧΙΑ		ΣΕΙΡΑ ΧΡΩΜΑΤΩΝ											
Estival	Κόκκινο	Πράσινο	Μπλε										
Caroline	Κυανό	Ματζέντα	Κίτρινο										
Ίριδα	Πράσινο	Σμαραγδοπράσινο	Κυανό	Γαλάζιο									
Ζαχαρωτό	Κόκκινο	Πορτοκαλί	Πράσινο	Πορτοκαλί									
Τροπικό	Κόκκινο	Ροζ	Μπλε	Ροζ									
Παράδεισος	Κόκκινο	Πορτοκαλί	Πράσινο	Κυανό	Μπλε	Ροζ							
Abril	Ανοιχτό μωβ	Ματζέντα	Κυανό	Κίτρινο	Λευκό	Κίτρινο	Κυανό	Ματζέντα					
Έντεκα	Κόκκινο	Πράσινο	Μπλε	Κίτρινο	Κυανό	Ματζέντα	Ανοιχτό μωβ	Γαλάζιο	Πορτοκαλί	Ροζ	Σμαραγδοπράσινο	Λευκό	

##### - Κουμπί Ανανέωση

Σε πισίνες με περισσότερα από ένα LumiPlus Flexi, το κουμπί αυτό χρησιμοποιείται για τον συγχρονισμό τους.

Εάν ένα από τα LumiPlus Flexi δεν ανταποκριθεί στις εντολές ΧΡΩΜΑ/ΑΛΛΗΛΟΥΧΙΑ, πατήστε το κουμπί ΑΝΑΝΕΩΣΗ στο LumiPlus Flexi και η τελευταία εντολή θα αποσταλεί με τέτοιο τρόπο ώστε να συγχρονιστεί με τα υπόλοιπα.

##### - Επιλογή ταχύτητας αλληλουχιών

Τα κουμπιά +/- σας δίνουν τη δυνατότητα να επιλέξετε μία από τις οκτώ αλληλουχίες, με σειρά από την πιο αργή έως την πιο γρήγορη ταχύτητα.

##### - Απενεργοποίηση του LumiPlus Flexi

Το LumiPlus Flexi απενεργοποιείται πατώντας το κουμπί ON/OFF. Η κατάσταση (χρώμα/αλληλουχία) του LumiPlus Flexi αποθηκεύεται στη μνήμη για την επόμενη φορά που θα ενεργοποιηθεί το σύστημα.

##### - Απενεργοποίηση του τηλεχειριστήριου

Το τηλεχειριστήριο απενεργοποιείται αυτόματα σε λιγότερο από 60 δευτερόλεπτα.

Η ένδειξη LED ανάβει στο τηλεχειριστήριο μόνο για μερικά δευτερόλεπτα.

#### 7.2 Λειτουργία χειριστήριου κίνησης (βλ. σελίδα 40)

Όταν η λειτουργία χειριστήριου κίνησης είναι ενεργοποιημένη, τα χρώματα και οι αλληλουχίες μπορούν να αλλάξουν.

##### Αλλαγή χρώματος (Εικ. Α)

- Κρατήστε σταθερά το τηλεχειριστήριο χωρίς να αγγίζετε κάποιο κουμπί.

- Κουνήστε τον καρπό σας προς τα κάτω.

- Η αλλαγή χρώματος θα εμφανιστεί στην κεντρική οθόνη.

##### Αλλαγή αλληλουχίας (Εικ. Β)

- Κρατήστε σταθερά το τηλεχειριστήριο χωρίς να αγγίζετε κάποιο κουμπί.

- Κουνήστε τον καρπό σας από τη μία πλευρά στην άλλη.

- Η αλλαγή αλληλουχίας θα εμφανιστεί στην κεντρική οθόνη.

## 8. ΣΥΝΤΗΡΗΣΗ ΧΕΙΡΙΣΤΗΡΙΟΥ ΚΙΝΗΣΗΣ:

Εάν η κεντρική οθόνη ανάψει με κόκκινο χρώμα χωρίς να απενεργοποιείται, αυτό σημαίνει ότι η στάθμη των μπαταριών είναι χαμηλή. Η θήκη των μπαταριών βρίσκεται στο πίσω μέρος της μονάδας χειριστήριου κίνησης. Αντικαταστήστε τις παλιές μπαταρίες με δύο καινούριες AAA 1,5 V.

## 9. ΚΑΛΩΔΙΩΣΗ:

Για να καλωδιώσετε σωστά το σύστημα, θα χρειαστείτε ένα LumiPlus Flexi, έναν μετασχηματιστή και τη μονάδα χειριστήριου κίνησης (βλ. σελίδα 40).

Ο μετασχηματιστής πρέπει να συνδεθεί σε παροχή ρεύματος 230 V~ac και το LumiPlus Flexi (12 V~ac) στο βοηθητικό ηγίο.

Πρέπει να έχει το κατάλληλο μέγεθος ώστε να τροφοδοτεί με τα αντίστοιχα VA κάθε LumiPlus Flexi που είναι συνδεδεμένο με αυτόν (βλ. τον πίνακα στο οπισθόφυλλο). Για παράδειγμα, εάν θέλετε να ελέγξετε δύο προβολείς 29 VA RGB V1, θα πρέπει να τους καλωδιώσετε παράλληλα σε έναν μετασχηματιστή τουλάχιστον 100 VA. Το κουμπί πρέπει να έχει το κατάλληλο μέγεθος ώστε να αντέχει την ισχύ που καταναλώνεται από τον αριθμό των προβολέων σε μια εγκατάσταση.

Για να λειτουργήσει σωστά το LumiPlus Flexi, θα πρέπει να τροφοδοτείται με 12 V AC. Το LumiPlus Flexi παρέχεται με καλώδιο H07RN-F 2,5 μέτρων, 2 x 1 mm<sup>2</sup>. Σε περίπτωση που το μήκος του δεν αρκεί, μπορείτε να το αντικαταστήσετε με άλλο καλώδιο (βλ. σελίδα 31). Σε περίπτωση αντικατάστασης ή πρόκασης του αρχικού καλωδίου, πρέπει να υπολογιστούν οι κατακόρυφες διατομές για κάθε εγκατάσταση, για να διασφαλιστεί ότι το LumiPlus Flexi τροφοδοτείται με 12-volt και για την αποφυγή των πτώσεων τάσης.

Εναλλακτικά, το σύστημα μπορεί να ελεγχθεί χρησιμοποιώντας ένα απλό κουμπί NC και στη συγκεκριμένη περίπτωση θα υπάρχουν 14 λειτουργίες: επτά σταθερά χρώματα και επτά διαφορετικές χρωματικές αλληλουχίες. Κάθε φορά που πιέζετε το κουμπί, αλλάζει το χρώμα ή η αλληλουχία. Πατώντας το για αρκετά δευτερόλεπτα, το φως γίνεται λευκό.

## 10. ΑΝΤΙΜΕΤΩΠΙΣΗ ΠΡΟΒΛΗΜΑΤΩΝ:

Προβλήματα	Συνήθεις αιτίες	Λύσεις
Το LumiPlus Flexi δεν λειτουργεί	Το LumiPlus Flexi δεν έχει παροχή ρεύματος	Συνδέστε το LumiPlus Flexi στην παροχή ρεύματος μέσω ενός μετασχηματιστή ασφαλείας 12 V~ac
Το LumiPlus Flexi εκπέμπει διαφορετικό φως από αυτό που εμφανίζεται στην κεντρική οθόνη του χειριστήριου κίνησης	Το LumiPlus Flexi δεν λαμβάνει πληροφορίες	1. Πλησιάστε το LumiPlus Flexi πριν στείλετε μια εντολή
Δύο LumiPlus Flexi εκπέμπουν διαφορετικά χρώματα		2. Μην καλύπτετε την κεραία με το χέρι σας
Χρησιμοποιώντας τη λειτουργία χειριστήριου κίνησης, το LumiPlus Flexi δεν λειτουργεί		3. Πατήστε το κουμπί ANANEΩΣΗ
Το χειριστήριο κίνησης δεν αποκρίνεται	Η στάθμη των μπαταριών του χειριστήριου κίνησης είναι χαμηλή	Αλλάξτε τις μπαταρίες

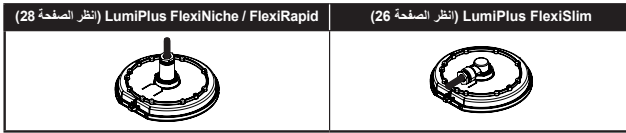
## 11. ΠΡΟΕΙΔΟΠΟΙΗΣΕΙΣ ΑΣΦΑΛΕΙΑΣ:

- Το φωτιστικό σώμα πρέπει να τοποθετηθεί με τέτοιο τρόπο ώστε να μην είναι δυνατό να κατάρξει κανείς απευθείας πάνω του σε απόσταση μικρότερη των 2,36 m (μόνο στην περίπτωση των μοντέλων RGB LED).
- Σε περίπτωση φθοράς του καλωδίου ή της συρμάτωσης αυτού του φωτιστικού σώματος, η αντικατάσταση μπορεί να γίνει μόνο από τον κατασκευαστή, έναν από τους τεχνικούς σέρβις του ή ένα άτομο με παρόμοια προσόντα, για την αποφυγή των πιθανών κινδύνων.
- Η ηγή φωτισμού αυτού του φωτιστικού σώματος μπορεί να αντικατασταθεί μόνο από τον κατασκευαστή, έναν από τους τεχνικούς σέρβις του ή ένα άτομο με παρόμοια προσόντα, για την αποφυγή των πιθανών κινδύνων.
- Αποφύγετε την επαφή με την ηλεκτρική τάση.
- Φροντίστε να τηρείτε τα ισχύοντα πρότυπα όσον αφορά την πρόληψη των ατυχημάτων.
- Συγκεκριμένα, πρέπει να τηρούνται τα πρότυπα IEC 364-7-702: ΚΑΛΩΔΙΩΣΕΙΣ ΣΕ ΚΤΙΡΙΑ, ΕΙΔΙΚΕΣ ΚΑΛΩΔΙΩΣΕΙΣ, ΠΙΣΙΝΕΣ.
- Όλες οι εργασίες συντήρησης πρέπει να πραγματοποιούνται με τον LumiPlus Flexi αποσυνδεδεμένο από το σύστημα τροφοδοσίας ρεύματος.
- Μη χειρίζεστε τα εξαρτήματα με βρεγμένα πόδια.
- Το LumiPlus Flexi είναι σχεδιασμένο ΜΟΝΟ ΓΙΑ ΥΠΟΒΡΥΧΙΑ ΧΡΗΣΗ και μπορεί να ΛΕΙΤΟΥΡΓΗΣΕΙ ΜΟΝΟ ΜΕ ΜΕΤΑΣΧΗΜΑΤΙΣΤΗ ΑΣΦΑΛΕΙΑΣ.
- Το LumiPlus Flexi είναι ανθεκτικό στα προϊόντα επεξεργασίας υδάτων πνίσινας που περιγράφονται παρακάτω, με την προϋπόθεση ότι οι τιμές συγκέντρωσης δεν υπερβαίνουν τα ακόλουθα επίπεδα:

ΤΥΠΟΣ ΠΡΟΪΟΝΤΟΣ ΕΠΕΞΕΡΓΑΣΙΑΣ	ΣΥΓΚΕΝΤΡΩΣΗ ΣΤΟ ΝΕΡΟ
Χλώριο	2 mg/l
Βρώμιο	5 mg/l
Ηλεκτρόλυση αλάτων (Na Cl)	6 g/l

Προσοχή: Να σημειωθεί ότι το pH των υδάτων της πνίσινας πρέπει να είναι πάντα από 7,2 έως 7,6.





فيما يلي وصف لكيفية توصيل LumiPlus Flexi بالكابل لضمان عزل منطقة التوصيل عن الماء. يجب اتباع الخطوات التالية:

1. تأكد من عدم وجود فولتية كهربائية قبل التعامل مع أي كابل.
2. ركب الحلقة الدائرية المانعة للتسرب في مكانها.
3. وصّل الكابل بالضوء والكشاف واربط البرغيين بإحكام.
4. مرر الكابل عبر صمامولة عزل عروة ربط الكابلات.
5. ركب عروة ربط الكابلات على هيكل العارض على النحو المبين. ثم اربط البراغي الثلاثة.
6. تأكد من ثبات غلاف الكابل في موضعه في منطقة التوصيل ثم اربط عروة ربط الكابلات بإحكام باستخدام مفتاح ربط (6 نيوتن متر).
7. تأكد من ربط الكابل بإحكام حتى لا يرتخي وينفصل عن عروة ربط الكابلات.
8. بمجرد توصيل العارض، يمكن تركيب الضوء الكشاف في المسبح (راجع دليل غطاء الحماية).

#### 5. الصيانة:

لا يتطلب الضوء الكشاف LumiPlus Flexi أي صيانة. فإذا لوحظ أنه لا يعمل بطريقة صحيحة فيرجى الاتصال بقسم خدمة العملاء.

⚠ لا تحاول التعامل مع الجزء الداخلي من الضوء الكشاف إذ إن من شأن ذلك إلغاء صلاحية الضمان.

#### 6. وحدة التحكم في الحركة:

تردد التشغيل: 868 ميجا هيرتز

النطاق في المجال المفتوح: 5 أمتار

البطاريات: بطاريات AAA-1.5 فولت.

تضم وحدة التحكم في الحركة 6 أزرار: اللون، تحديث، التسلسل، السرعة (+/-)، التشغيل/الإيقاف

الوظائف الرئيسية الموجودة على جهاز التحكم عن بُعد هي:

- اللون: يحدد واحدًا من 12 لونًا قياسيًا متاخرًا.
- تحديث: يستعيد اللون/التسلسل
- التسلسل: يحدد واحدًا من 8 تسلسلات متاحة.
- السرعة: يحدد واحدًا من 8 سرعات متاحة.
- التشغيل/الإيقاف: لتشغيل الضوء الكشاف LumiPlus Flexi وإيقاف تشغيله.



#### تنبيه

لا تضع يدك فوق الأزرار التي تتضمنها وحدة التحكم في الحركة

#### 7. التشغيل:

تتيح وحدة التحكم في الحركة التحكم في الضوء الكشاف LumiPlus Flexi بواسطة لوحة مفاتيح أو حركة.

لضمان أفضل استجابة للضوء، ضع وحدة التحكم في الحركة بالقرب من LumiPlus Flexi. إذا كان لديك أكثر من مصدر ضوء واحد، فضع الوحدة في منتصف مصدرى الضوء لضمان أفضل استقبال للإشارة.

#### 1.7 التحكم عن بُعد

- تشغيل الضوء الكشاف LumiPlus Flexi

يتم تشغيل الضوء الكشاف LumiPlus Flexi بالضغط على زر التشغيل/الإيقاف لعدة ثوانٍ.

#### - تحديد الألوان

يتيح زر "اللون" تحديدًا واحدًا من 12 لونًا متاخرًا. عند الضغط على الزر في كل مرة، يتغير اللون، وعند الوصول إلى آخر لون، يؤدي الضغط عليه مجددًا للرجوع إلى أول لون. يُعرض اللون المحدد على الشاشة الوسطى.





## 9. توصيل الأسلاك:

لتوصيل أسلاك النظام على نحو صحيح، ستكون بحاجة إلى محول ووحدة تحكم في الحركة للضوء الكشاف LumiPlus Flexi. (انظر الصفحة 40). يجب توصيل المحول بمصدر تيار كهربائي 230 فولت تيار متردد وتوصيل ضوء LumiPlus Flexi الكشاف (12 فولت تيار متردد) بالقيفة الملحقة. ويجب أن يكون بالحجم المناسب بحيث يزود الفولتية المطابقة لكل ضوء LumiPlus Flexi كشاف ممتصل (انظر الجدول على الغلاف الخلفي). على سبيل المثال، إذا كنت تريد التحكم في ضوئان كشافين RGB V1 بفولتية 29 فولت أمبير، فيجب توصيلهما على التوازي مع محول بفولتية 100 فولت أمبير على الأقل. يجب أن يتحمل زر الضغط الطاقة التي تستهلكها مجموعة الأضواء الكشافة في المنشأة.

حتى يعمل ضوء LumiPlus Flexi على نحو ملائم، يجب توصيله بمصدر تيار كهربائي بفولتية 12 فولت تيار متردد. يأتي LumiPlus Flexi مرفقًا بكابل بطول 2.5 متر 2 × 1 مليونمتر مربع H07RN-F. إذا كان الكابل قصيرًا للغاية، فيمكن استبداله ليحل محله كابل آخر (انظر الصفحة 31). إذا اقتضت الضرورة استبدال الكابل الأصلي أو تعديده، فيجب إجراء عملية حسابية خاصة للمقاطع العرضية لكل تركيب لضمان وصول إمداد تيار كهربائي 12 فولت تيار متردد إلى الضوء الكشاف LumiPlus Flexi وللحيلولة دون هبوط الفولتية.

والإلا، فيمكن التحكم في النظام باستخدام زر ضغط NC بسيط، وفي هذه الحالة سيتردد 14 وضغًا وظيفيًا: سبعة ألوان مهيئة وسبعة تسلسلات ألوان مختلفة. وعند الضغط على زر الضغط كل مرة، سيتغير اللون أو التسلسل. وبالضغط عليه لعدة ثوانٍ، يصبح اللون أبيض.

## 10. استكشاف الأخطاء وإصلاحها:

المشكلات	الأسباب الشائعة	الحلول
ضوء LumiPlus Flexi الكشاف لا يعمل	لا يتم إمداد ضوء LumiPlus Flexi الكشاف بالتيار الكهربائي	وصل LumiPlus Flexi بمصدر التيار الكهربائي عبر محول أمان 12 فولت تيار متردد
يعكس ضوء LumiPlus Flexi الكشاف لونا مختلفًا عن ذلك المعروف على الشائبة الوسطى لوحدة التحكم في الحركة	لا يتلقى LumiPlus Flexi المعلومات	1. اقترب من LumiPlus Flexi قبل إرسال الأمر 2. لا تغطّ الهوائي بيدك 3. اضغط على زر "تحديث"
لا يعمل LumiPlus Flexi باستخدام وضع التحكم في الحركة	انخفاض طاقة بطاريات وحدة التحكم في الحركة	غزّ البطاريات

## 11. تحذيرات السلامة:

- يجب تركيب وحدة الإثارة بطريقة تجعل من غير الممكن التحديق فيها من مسافة أقل من 2.36 متر (فقط في حالة استخدام طرّز ليد (LED) الأحمر والأخضر والأزرق).
- إذا تعرض الكبل أو الأسلاك الخاصة بوحدة الإثارة هذه للتلف، فيمكن فقط استبداله من قبل الجهة المصنعة أو أحد مهندسي الصيانة التابعين لها، أو شخص ذي مؤهلات مماثلة، وذلك لمنع التعرض لأي مخاطر.
- ويمكن فقط استبدال مصدر الإضاءة بوحدة الإثارة هذه من قبل الجهة المصنعة أو أحد مهندسي الصيانة التابعين لها، أو شخص ذي مؤهلات مماثلة.
- يجب تجنب ملامسة الفولتية الكهربائية.
- يجب الالتزام بمعايير التيار للوقاية من وقوع الحوادث.
- في هذا الصدد، يجب اتباع المعيار IEC 364-7-702: توصيلات الأسلاك في المباني - التوصيلات الخاصة في المساح.
- يجب أن تتم كافة أعمال الصيانة بعد فصل LumiPlus Flexi من الكهرباء الرئيسية.
- ممنوع التعامل مع المصباح بأقدام مبتلة.
- ضمن نظام LumiPlus Flexi للاستخدام تحت الماء فقط، وقد يتم تشغيله فقط باستخدام محول أمان.
- يتحمل الضوء الكشاف LumiPlus Flexi معالجات المسابح المبيّنة أدناه طالما لم تكن قيم التركيز تتجاوز القيم التالية:

نوع المعالجة	التركيز في الماء
الكلور	2 ملغم/ل
البروم	5 ملغم/ل
التحليل الكهربائي للملح (Na Cl)	6 جم / لتر

تنبيه: يرجى ملاحظة أنه يجب أن تكون درجة حموضة مياه المسبح بين 7.2 و7.6.

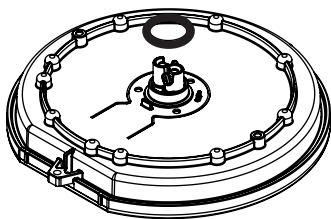


FIG. 1

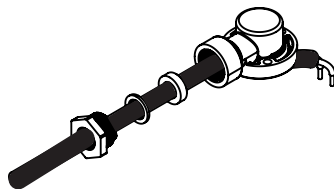


FIG. 2

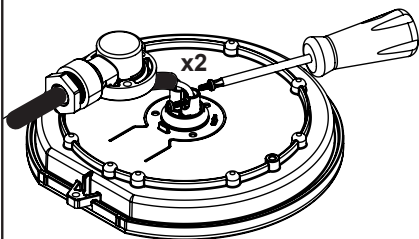


FIG. 3

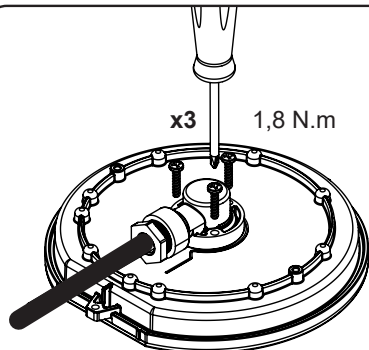


FIG. 4

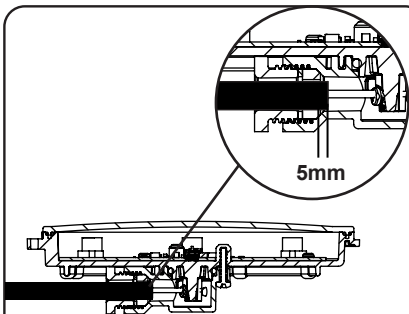


FIG. 5

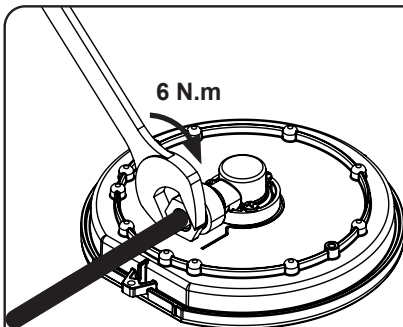


FIG. 6

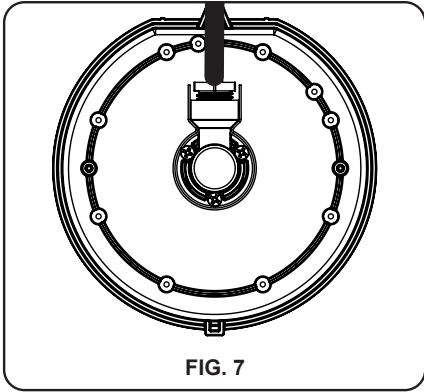


FIG. 7

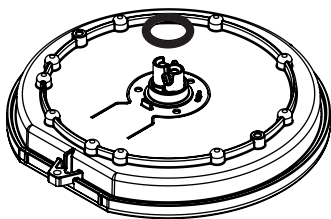


FIG. 1

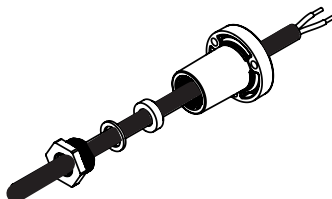


FIG. 2

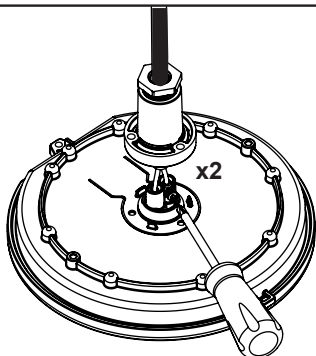


FIG. 3

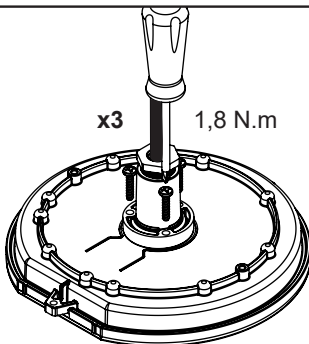


FIG. 4

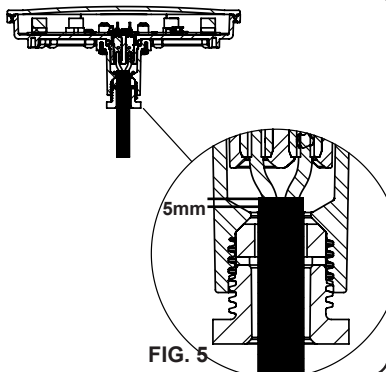


FIG. 5

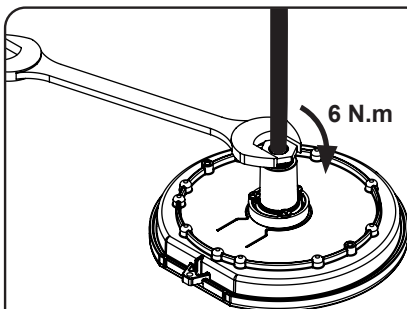


FIG. 6



**FIG. 7**

## LUMIPLUS FLEXI

- COMPATIBILITY OF CABLE CROSS-SECTION AND LENGTH IN FLEXI MODELS WITH A MAXIMUM VOLTAGE DROP OF 5%, CONNECTED TO NOMINAL VOLTAGE.
- COMPATIBILITÉ SECTION-LONGUEUR DU CÂBLE SELON LE MODÈLE FLEXI AVEC CHUTE DE TENSION MAXIMALE DE 5 %, RELIÉ AU COURANT NOMINAL.
- COMPATIBILIDAD SECCION-LONGITUD CABLE SEGUN MODELO FLEXI CON UNA CAIDA DE TENSION MAXIMA DEL 5% CONECTADO A LA TENSION NOMINAL
- COMPATIBILITÀ DI SEZIONE-LUNGHEZZA CAVO SECONDO IL MODELLO FLEXI CON UNA CADUTA DI TENSIONE MASSIMA DEL 5%, COLLEGATO ALLA TENSIONE NOMINALE.
- KOMPATIBILITÄT QUERSCHNITT-LÄNGE DES KABELS JE NACH FLEXI-MODELL MIT EINEM MAXIMALEN SPANNUNGSABFALL VON 5%, ANGESCHLOSSEN AN DIE NENNSPANNUNG.
- COMPATIBILIDADE SECCÃO-COMPRIIMENTO CABO SEGUNDO MODELO FLEXI COM UMA QUEDA DE TENSÃO MÁXIMA DE 5%, LIGADO À TENSÃO NOMINAL
- ΣΥΜΒΑΤΟΤΗΤΑ ΜΗΚΟΥΣ ΚΑΙ ΔΙΑΤΟΜΗΣ ΚΑΛΩΔΙΟΥ ΣΕ ΜΟΝΤΕΛΑ FLEXI ΜΕ ΜΕΓΙΣΤΗ ΠΤΩΣΗ ΤΑΣΗΣ 5%, ΣΥΝΔΕΔΕΜΕΝΟ ΣΕ ΟΝΟΜΑΤΙΚΗ ΤΑΣΗ

FLEXI تازارت يف لب الكابل لو طول او يضر ع الا ع طقم الم قفاوت  
 فيم سال ا فيت لوفال اب لي صوتل اء انشا ، 5% ءب س نب ه فيت لوفال ا ضاف خ نال ا ص ق ا د ح م ع

CODE FLEXI PROJECTOR	DESCRIPTION	POWER (VA)	2 x 1,5mm <sup>2</sup> CABLE						2x2,5mm <sup>2</sup> CABLE		
			5m	10m	15m	20m	25m	30m	10m	15m	20m
			74652	74656	74657	74658	74659	74673	71645	71646	71647
71201, 71213, 71215, 71217	V1 WHITE 24VDC	14W (14VA)	✓	✓	✓	✓	✓	✓			
71201WW	V1 WARM WHITE 24VDC	14W (14VA)	✓	✓	✓	✓	✓	✓			
71200, 71212, 71214, 71216	V1 WHITE 12VAC	16W (24VA)	✓	✓						✓	✓
71200WW	V1 WARM WHITE 12VAC	16W (24VA)	✓	✓						✓	✓
71203, 71219, 71220, 71218	V1 RGB 12VAC	22W (29VA)	✓							✓	✓
71205, 71235	V1 RGB WIRELESS 12VAC	22W (29VA)	✓							✓	✓
71206, 71221, 71223, 71225	V1 RGB WIRELESS KIT-1 12VAC	22W (29VA)	✓							✓	✓
71207, 71222, 71224, 71226	V1 RGB WIRELESS KIT-2 12VAC	22W (29VA)	✓							✓	✓
71202, 71227, 71228, 71229	V2 WHITE 24VDC	32W (32VA)	✓	✓	✓	✓	✓	✓			
71202WW	V2 WARM WHITE 24VDC	32W (32VA)	✓	✓	✓	✓	✓	✓			
71233, 71237	V2 WHITE 12VAC	32W (42VA)	✓							✓	
71233WW	V2 WARM WHITE 12VAC	32W (42VA)	✓							✓	
71204, 71230, 71231, 71232	V2 RGB 12VAC	43W (54VA)	✓								
71208	V2 RGB-DMX 12VAC	43W (54VA)	✓								

### IMPORTANT

- For the FLEXI SLIM, the maximum H07RNF cable cross-section that fits in the projector is  $2 \times 1.5 \text{ mm}^2$ .
- For the FLEXI RAPID and FLEXI NICHE, the maximum H07RNF cable cross-section that fits in the projectors is  $2 \times 1.5 \text{ mm}^2$
- For greater cable length, a waterproof splice must be made and specific cross-sections calculated.

### IMPORTANT

- Pour FLEXI SLIM, la section maximale de câble H07RNF permise par le projecteur est de  $2 \times 1,5 \text{ mm}^2$ .
- Pour FLEXI RAPID et FLEXI NICHE, la section maximale de câble H07RNF permise par le projecteur est de  $2 \times 2,5 \text{ mm}^2$ .
- Pour tout rallongement du câble, il est nécessaire d'effectuer un raccordement étanche et un calcul spécifique des sections.

### IMPORTANTE

- Para FLEXI SLIM la sección máxima de cable H07RNF que admite el proyector es de  $2 \times 1,5 \text{ mm}^2$ .
- Para FLEXI RAPID y FLEXI NICHÓ la sección máxima de cable H07RNF que admite el proyector es de  $2 \times 2,5 \text{ mm}^2$ .
- Para una mayor longitud de cable sera necesario realizar un empalme estanco y un cálculo de secciones específico.

### IMPORTANTE

- Per FLEXI SLIM la sezione massima del cavo H07RNF compatibile con il faro è di  $2 \times 1,5 \text{ mm}^2$ .
- Per FLEXI RAPID e FLEXI NICHE la sezione massima del cavo H07RNF compatibile con il faro è di  $2 \times 2,5 \text{ mm}^2$ .
- Qualora fosse necessario impiegare un cavo più lungo si dovrà prevedere un raccordo a tenuta stagna ed eseguire un calcolo specifico delle sezioni.

### WICHTIG

- Bei FLEXI SLIM lässt der Projektor einen maximalen Querschnitt des Kabels H07RNF von  $2 \times 1,5 \text{ mm}^2$  zu.
- Bei FLEXI RAPID und FLEXI NICHÓ lässt der Projektor einen maximalen Querschnitt des Kabels H07RNF von  $2 \times 2,5 \text{ mm}^2$  zu.
- Bei einer größeren Kabellänge ist eine wasserdichte Verbindung der Kabel und eine spezielle Berechnung der Querschnitte erforderlich.

### IMPORTANTE

- Para FLEXI SLIM, a secção máxima de cabo H07RNF admitida pelo projetor é de  $2 \times 1,5 \text{ mm}^2$ .
- PARA FLEXI RAPID e FLEXI NICHE a secção máxima de cabo H07RNF admitida pelo projetor é de  $2 \times 2,5 \text{ mm}^2$ .
- Para um maior comprimento de cabo será necessário realizar uma junção estanque e um cálculo de secções específico.

### ΣΗΜΑΝΤΙΚΟ

- Για το FLEXI SLIM, η μέγιστη διατομή καλωδίου H07RNF που ταιριάζει στον προβολέα είναι  $2 \times 1,5 \text{ mm}^2$
- Για τα FLEXI RAPID και FLEXI NICHE, η μέγιστη διατομή καλωδίου H07RNF που ταιριάζει στους προβολείς είναι  $2 \times 1,5 \text{ mm}^2$
- Για μεγαλύτερο μήκος καλωδίου, πρέπει να πραγματοποιηθεί αδιάβροχη συγκόλληση και να υπολογιστούν συγκεκριμένες διατομές.

### مهم تامول عم

- $2 \times 1.5 \text{ mm}^2$  وه ضرع ال فاشكلال يف بكري يذلا H07RNF لبالكلل يضرع عطقم صقأ: FLEXI SLIM زارطو -
- $2 \times 1.5 \text{ mm}^2$  وه ضرع ال فاشكلال يف بكري يذلا H07RNF لبالكلل يضرع عطقم صقأ: FLEXI NICHE زارطو و FLEXI RAPID زارطو -
- ددحمالا يضرع ال عطاقم ال باسحو ءاملل ءدماص ءلصو لم ع بچي، لبالكلل ربكأ لوطل -

**CONTROL MOTION**  
**CONTRÔLE PAR LE MOUVEMENT**  
**CONTROL POR MOVIMIENTO**  
**CONTROLLO TRAMITE IL MOVIMENTO**  
**BEWEGUNGSSTEUERUNG**  
**CONTROLO POR MOVIMENTO**  
**ΧΕΙΡΙΣΤΗΡΙΟ ΚΙΝΗΣΗΣ**

وحدة التحكم في الحركة



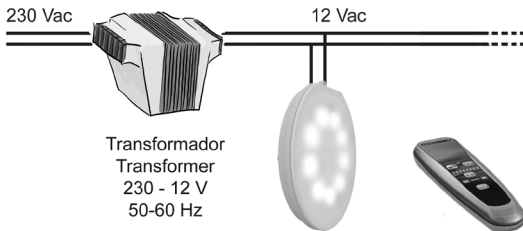
Fig. A



Fig. B

**ELECTRICAL CONNECTION DIAGRAM**  
**DIAGRAMME DES CONNEXIONS ELECTRIQUES**  
**DIAGRAMA DE CONEXIONADO ELÉCTRICO**  
**DIAGRAMMA DELLE CONNESSIONI ELETTRICHE**  
**ELEKTRISCHER SCHALTPLAN**  
**DIAGRAMA DAS LIGAÇÕES ELÉTRICAS**  
**ΔΙΑΓΡΑΜΜΑ ΗΛΕΚΤΡΙΚΩΝ ΣΥΝΔΕΣΕΩΝ**

مخطط التوصيلات الكهربائية





<b>GB</b>	<b>PRODUCTS:</b>	LUMIPLUS FLEXI SPOTLIGHT
<b>F</b>	<b>PRODUITS:</b>	POINT DE LUMIÈRE LUMIPLUS FLEXI
<b>E</b>	<b>PRODUCTOS:</b>	PUNTO DE LUZ LUMIPLUS FLEXI
<b>I</b>	<b>PRODOTTI:</b>	PUNTO DI LUCE LUMIPLUS FLEXI
<b>D</b>	<b>PRODUKTE:</b>	LEUCHTE LUMIPLUS FLEXI
<b>P</b>	<b>PRODUTOS:</b>	PONTO DE LUZ LUMIPLUS FLEXI
<b>EL</b>	<b>ΠΡΟΪΟΝΤΑ:</b>	ΠΡΟΒΟΛΕΑΣ LUMIPLUS FLEXI
العربية	المنتجات:	LUMIPLUS FLEXI الضوء الكشاف

**DECLARATION CE OF CONFORMITY**

The products listed above are in compliance with:  
 Directive 2014/35/EU, on electrical equipment designed for use within certain voltage limits  
 Directive 2014/30/ EU, on electromagnetic compatibility  
 Directive 2015/863/EU, on the restriction of the use of certain hazardous substances in electrical and electronic equipment  
 Directive 2009/125/EU establishing a framework for the setting of ecodesign requirements for energy-related products

**DÉCLARATION CE DE CONFORMITÉ**

Les produits énumérés ci-dessus sont conformes à:  
 Directive 2014/35/EU, sur le marché du matériel électrique destiné à être employé dans certaines limites de tension  
 Directive 2014/30/ EU, sur la compatibilité électromagnétique  
 Directive 2015/863/EU, sur la liste des substances soumises à limitations  
 Directive 2009/125/ EU, établissant un cadre pour la fixation d'exigences en matière d'écoconception applicables aux produits liés à l'énergie

**DECLARACION CE DE CONFORMIDAD**

Los productos arriba enumerados se hallan conformes con:  
 Directiva 2014/35/EU, sobre el material eléctrico destinado a utilizarse con determinados límites de tensión.  
 Directiva 2014/30/ EU, sobre Compatibilidad Electromagnética.  
 Directiva 2015/863/EU sobre restricciones a la utilización de determinadas sustancias peligrosas en aparatos eléctricos y electrónicos.  
 Directiva 2009/125/ EU sobre requisitos de diseño ecológico aplicables a los productos relacionados con la energía.

**DICHIARAZIONE CE DI CONFORMITÀ**

I prodotti di cui sopra adempiono alle seguenti direttive:  
 Direttiva 2014/35/UE sul materiale elettrico destinato a essere adoperato entro taluni limiti di tensione  
 Direttiva 2014/30/UE in materia di compatibilità elettromagnetica  
 Direttiva 2015/863/UE sulla restrizione d'uso di determinate sostanze pericolose in apparecchiature elettriche ed elettroniche  
 Direttiva 2009/125/UE relativa all'istituzione di un quadro per l'elaborazione di specifiche per la progettazione ecocompatibile dei prodotti connessi all'energia.

### KONFORMITÄTSERKLÄRUNG CE

Die oben aufgeführten Produkte sind konform mit:  
Richtlinie 2014/35/EU über die Bereitstellung elektrischer Betriebsmittel zur Verwendung innerhalb bestimmter Spannungsgrenzen  
Richtlinie 2014/30/EU über elektromagnetische Verträglichkeit  
Richtlinie 2015/863/EU zur Beschränkung der Verwendung bestimmter gefährlicher Stoffe in Elektro- und Elektronikgeräten  
Richtlinie 2009/125/EU zur Schaffung eines Rahmens für die Festlegung von Anforderungen an die umweltgerechte Gestaltung energieverbrauchsrelevanter Produkte.

### DECLARAÇÃO CE DE CONFORMIDADE

Os produtos relacionados acima estão conformes as:  
Diretiva 2014/35/UE relativa ao material eléctrico destinado a ser utilizado com determinados limites de tensão  
Diretiva 2014/30/UE relativa à compatibilidade eletromagnética  
Diretiva 2015/863/UE relativa às restrições à utilização de determinadas substâncias perigosas em aparelhos eléctricos e electrónicos  
Diretiva 2009/125/UE relativa aos requisitos de conceção ecológica aplicáveis aos produtos relacionados com a energia.

### ΔΗΛΩΣΗ ΣΥΜΜΟΡΦΩΣΗΣ CE

Τα προϊόντα που περιγράφονται παραπάνω συμμορφώνονται με τα εξής:  
Οδηγία 2014/35/ΕΕ για το ηλεκτρολογικό υλικό που προορίζεται να χρησιμοποιηθεί εντός ορισμένων ορίων τάσεως  
Οδηγία 2014/30/ ΕΕ για την ηλεκτρομαγνητική συμβατότητα  
Οδηγία 2015/863/ΕΕ για τον περιορισμό της χρήσης ορισμένων επικίνδυνων ουσιών σε ειδη ηλεκτρικού και ηλεκτρονικού εξοπλισμού  
Οδηγία 2009/125/ΕΕ για θέσπιση πλαισίου για τον καθορισμό απαιτήσεων οικολογικού σχεδιασμού όσον αφορά τα προϊόντα που καταναλώνουν ενέργεια

### بيان التوافق

المنتجات المبينة عليه تمتثل للتوجيهات والمعايير التالية:  
التوجيه 2014/35/ΕΕ حول الأجهزة الكهربائية المصممة للاستخدام في حدود فولتية معينة  
التوجيه 2014/30/ΕΕ حول التوافق الكهرومغناطيسي  
التوجيه 2015/863/ΕΕ حول تقييد استخدام مواد خطيرة معينة في الأجهزة الكهربائية والإلكترونية  
التوجيه 2009/125/ΕΕ الذي يضع إطاراً لتحديد متطلبات التصميم البيئي للمنتجات ذات الصلة بالطاقة

Signature / Qualification:  
Signature / Qualification:  
Firma / Cargo:  
Firma / Qualifica:  
Unterschrift / Qualifizierung:  
Assinatura / Título:  
Υπογραφή / Πιστοποίηση:  
التوقيع / المؤهل:

SACOPA, S.A.U.  
Pol. Ind. Poliger Sud – Sector I  
17854 SANT JAUME DE LLIERCA  
SPAIN

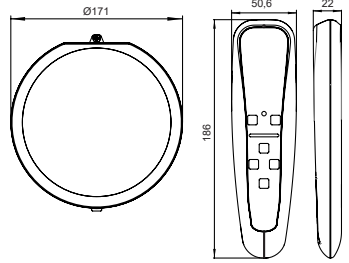
St. Jaume de Llierca,  
March of 2019


GERENT



- TECHNICAL CHARACTERISTICS
- CARACTERÍSTICAS TÉCNICAS
- CARACTERÍSTICAS TÉCNICAS
- DATI TECNICI
- TECHNISCHE ANGABEN
- CARACTERISTICAS TECNICAS
- ΤΕΧΝΙΚΑ ΧΑΡΑΚΤΗΡΙΣΤΙΚΑ

• المواصفات الفنية



DESCRIPTION	LUMIPLUS FLEXI RGB WIRELESS
Code / Code / Código / Codice / Code / Código / Κωδικός / القودون	71205, 71206, 71207
Power / Pouvoir / Potencia / Potere / Macht / Poder / Ισχύς / مصدر الطاقة	22W (29VA)*
Rated voltage / Tension nominale / Tensión nominal / Tensione nominale / Anschlussspannung / Tensão nominal / Ονομαστική τάση / الفولتية المقررة	12 V AC - 50/60 Hz
Protection / Protection / Protección / Protezione / Schutz / Proteção / Προστασία / الحماية	CLASS III - IPX8
 TO BE USED ONLY WITH A SECURITY TRANSFORMER / À UTILISER UNIQUEMENT AVEC UN TRANSFORMATEUR DE SECURITÉ/ PARA USO EXCLUSIVO CON TRANSFORMADOR DE SEGURIDAD / PER USO ESCLUSIVO CON TRANSFORMATORE DI SICUREZZA / NUR ZUSAMMEN MIT EINEM SICHERHEITSTRANSFORMATOR ZU BENUTZEN/ PARA USO EXCLUSIVO COM TRANSFORMADOR DE SEGURANÇA / ΠΡΟΟΡΙΖΕΤΑΙ ΓΙΑ ΧΡΗΣΗ ΜΟΝΟ ΜΕ ΜΕΤΑΣΧΗΜΑΤΙΣΤΗ ΑΣΦΑΛΕΙΑ/ للاستخدام فقط مع محول أمان	

\* For spotlight / Par point de lumière / Por punto de luz / Per punto di luce / Von der leuchte / Por ponto de luz / Για προβολέα / الضوء الكشاف

**Made in Spain**

Sacopa, S.A.U.

Pol. Ind. Poliger Sud – Sector I

17854 Sant Jaume de Llierca (Spain)

ASTRALPOOL

Avda. Francesc Macià, 60, planta 20

08208 Sabadell (Barcelona) Spain

info@astralpool.com

71200E205-05

- We reserve to change all or part of the articles or contents of this document, without prior notice.
- Nos nous réservons le droit de modifier totalement ou en partie les caractéristiques de nos articles ou le contenu de ce document sans pré avis.
- Nos reservamos el derecho de cambiar total o parcialmente las características de nuestros artículos o contenido de este documento sin previo aviso.
- Ci riserviamo il diritto di cambiare totalmente o parzialmente le caratteristiche tecniche dei nostri prodotti ed il contenuto di questo documento senza nessuno preavviso.
- Wir behalten uns das recht vor die eigenschatten unserer produkte oder den inhalt dieses prospektes teilweise oder vllstanding, ohne vorherige benachichtigung zu andern.
- Reservamo-nos no direito de alterar, total ou parcialmente as características dos nossos artigos ou o conteúdo deste documento sem aviso prévio
- Διατηρούμε το δικαίωμα τροποποίησης μέρους ή ολόκληρων των άρθρων ή των περιεχομένων αυτού του εγγράφου, χωρίς πρότερη ειδοποίηση.

• نحتفظ بالحق في تغيير كل أو جزء من المنتجات أو محتويات هذه الوثيقة بدون إشعار مسبق