

**Certikin**  
*brings water to life*

## **Lacron Filters Top & Side Mount**



**Designed to cater for all residential applications from small above ground pools, through to larger in ground domestic installations.**



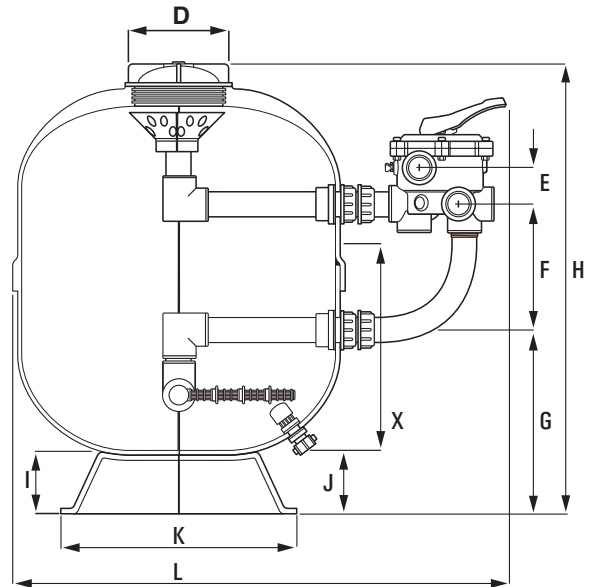
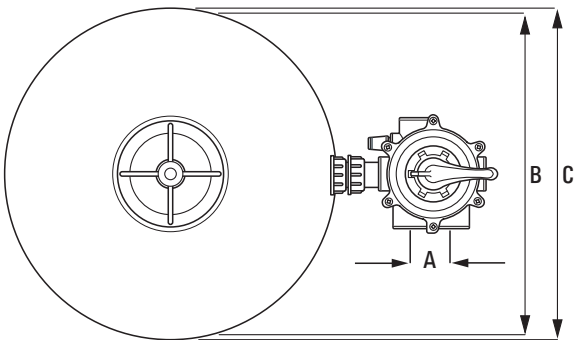
# LACRON FILTERS

Crystal, clear, sparkling water is the most important aspect of any swimming pool. A filter is by far the most efficient way to ensure perfect water quality. Certikin filters can be used with standard Certikin 16/30 grade silica sand. Designed to be used on a variety of pools, from above ground to in ground domestic applications.

## Features

- 30 years proven track record
- 2.5 BAR
- Manufactured from the highest-grade materials
- Hi gloss non-corrosive FRP tank and base components
- Nine inch, clear view, easy access service lid
- Energy efficient collection and distribution pipe-work
- Speed style installation and service connections
- Easy access winter drain tap

Model	Tank Diameter mm	Bed Depth mm	Filter Area m <sup>2</sup>	Valve Size mm / inch	Pea Gravel kg	Sand kg	Max Flow m <sup>3</sup> /hr
CL16	400	300	0.13	50/1.5	NR	50	6.5
CL18	460	350	0.16	50/1.5	NR	75	8.5
CL20	500	365	0.20	50/1.5	NR	100	10
CL24	610	380	0.30	50/1.5	NR	125	14.5
CL30	760	400	0.46	63/2	NR	200	22.5
CL36	900	500	0.66	63/2	75	300	31
CL42	1100	550	0.97	90/3	100	450	43



Type	A	B	C	D	E	F	G	H	I	J	K	L	X
CL16	78	450	465	230	54	204	235	620	65	70	374	725	300
CL18	78	460	475	230	54	204	240	660	65	70	374	790	350
CL20	78	500	525	230	54	204	265	700	65	70	374	900	365
CL24	78	610	625	230	54	204	295	730	65	70	484	945	380
CL30	70	762	780	230	81	214	290	780	85	90	620	1100	400
CL36	128	915	945	230	110	300	300	945	90	90	945	1385	500
CL42	128	1100	1130	230	110	325	350	965	95	90	965	1570	550

If you require further technical information please do not hesitate to contact us

**Certikin**  
brings water to life



Certikin International Ltd  
[www.certikin.co.uk](http://www.certikin.co.uk)

