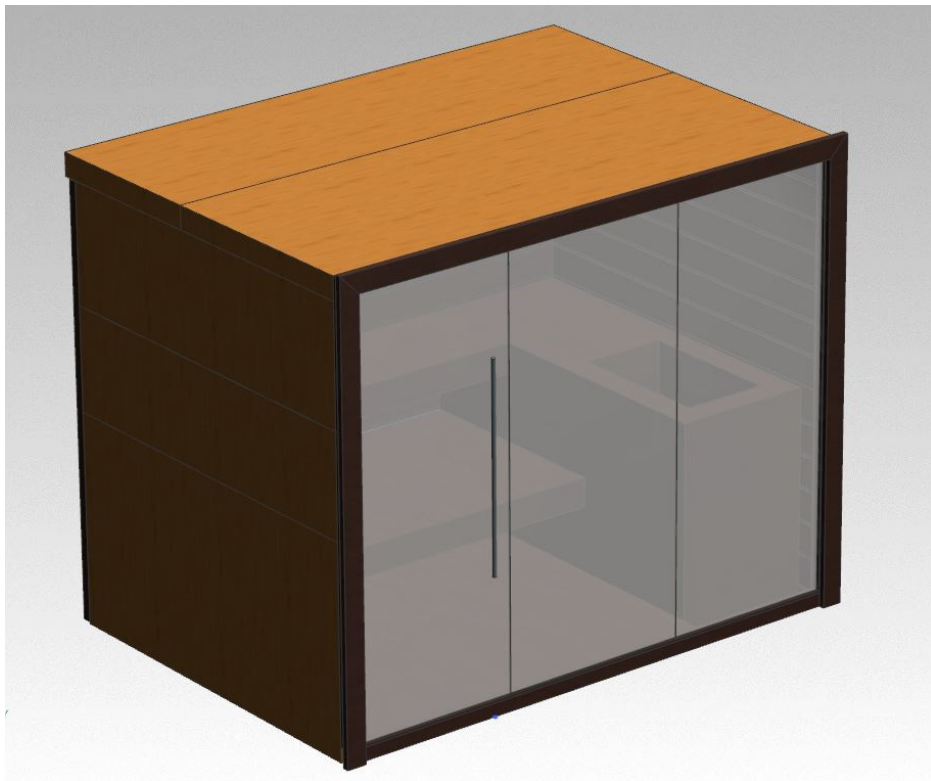


USER MANUAL

Instructions for Assembling Sauna

Model: ESSENCIA



FLUIDRA

Important

Please immediately check for any damage that may have occurred in shipping. If any damage is found you must notify the delivering carrier within seven days.

A few minutes with the following instructions will ensure quick and proper assembly, and many years of enjoyment and relaxation. By reviewing all the instruction steps ahead of time, you will have a better experience for the hole sauna bathing.

Your sauna package will arrive on a stretch-wrapped pallet including a stack of pre built panels, benches, and boxes with the heater and accessories(digital panel, sauna light, sauna box).

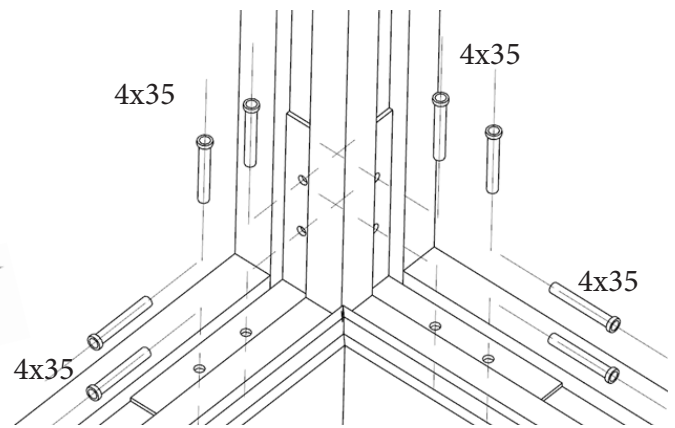
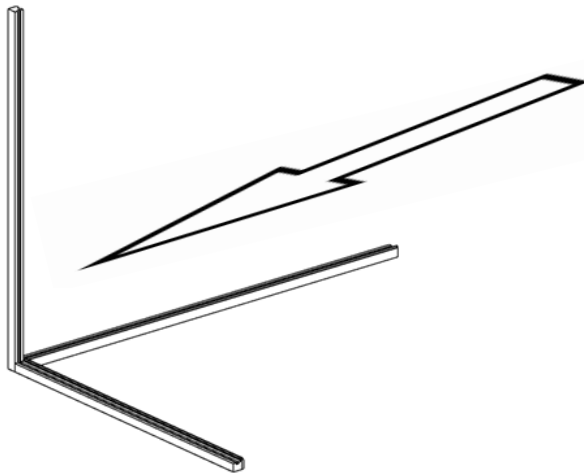
Your sauna can be placed on concrete, tiles, linoleum or any surface that does not absorb water. Do not install the sauna on carpeting.

Installation:

Start installation placing the left base.

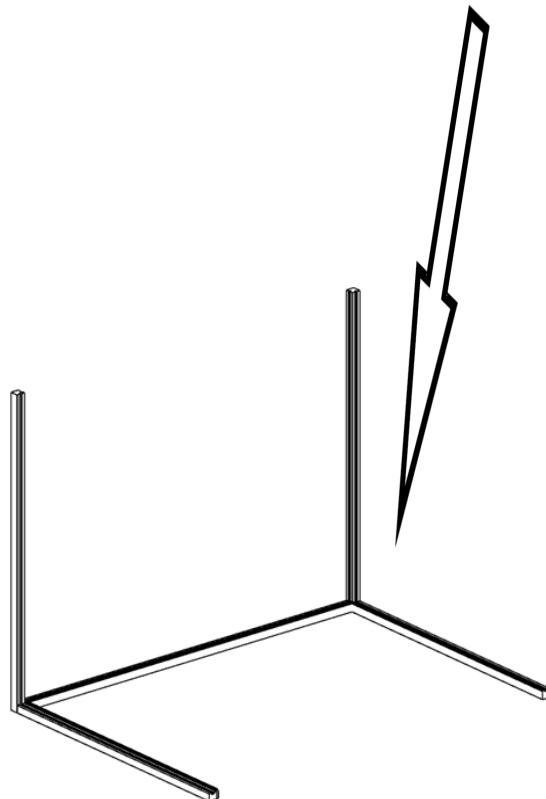
Place the left back-side column next to the left base. Fix with angle plate left base to left back side column.

Place the back-side base and fix it to left backside column with angle plate.



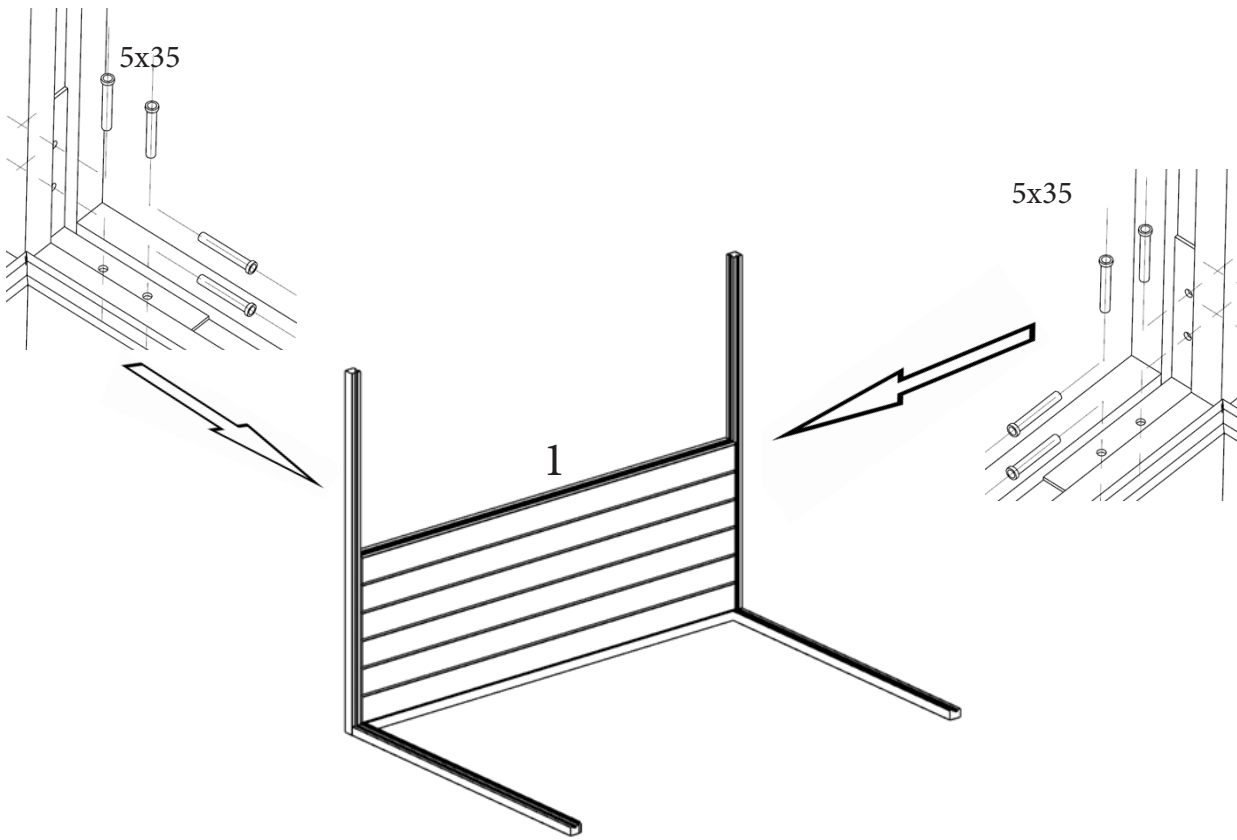
Place the right back-side column and fix it to back base with angle plate.

Place the right-side base and fix it to right back-side column with angle plate.

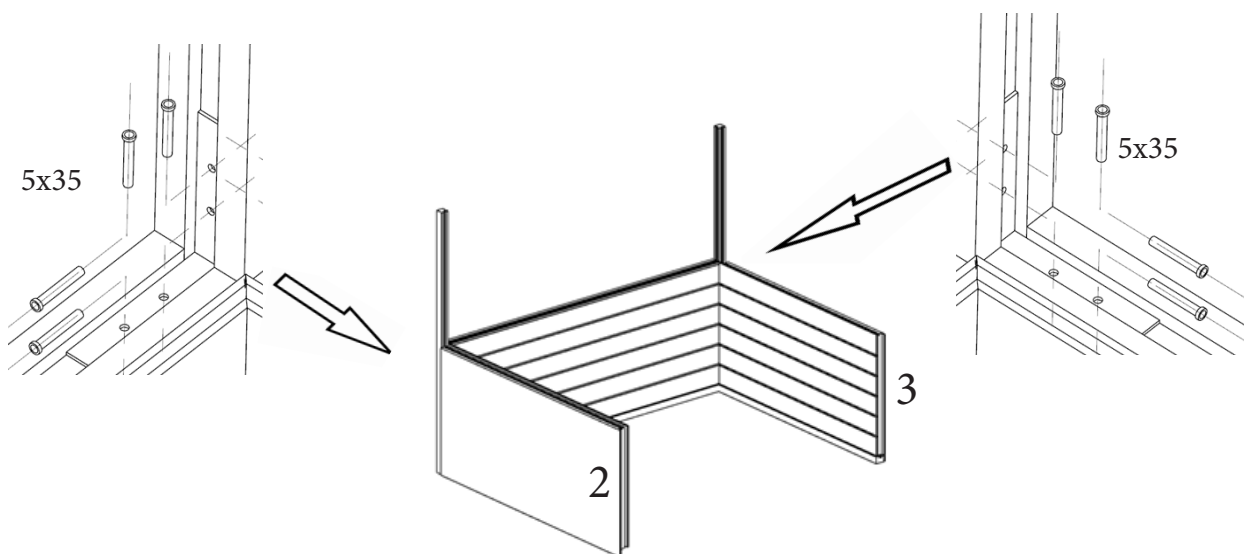


All panels are numbered down on the outer side of the panel and are readable from the exterior of the room.

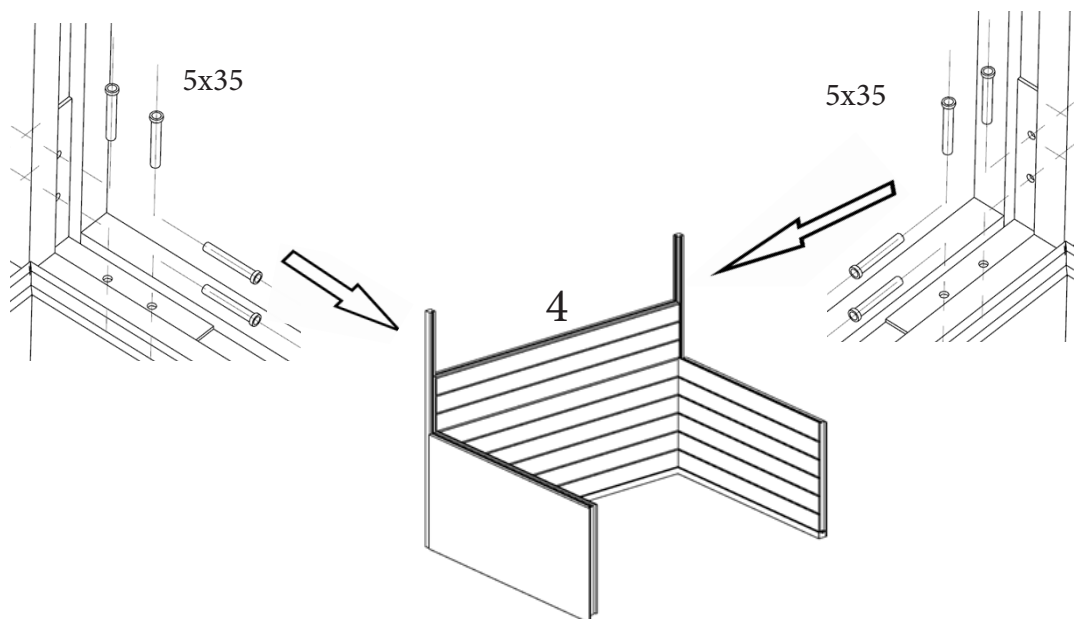
Place back side panel (1) and fix it to right and left column with angle plates.



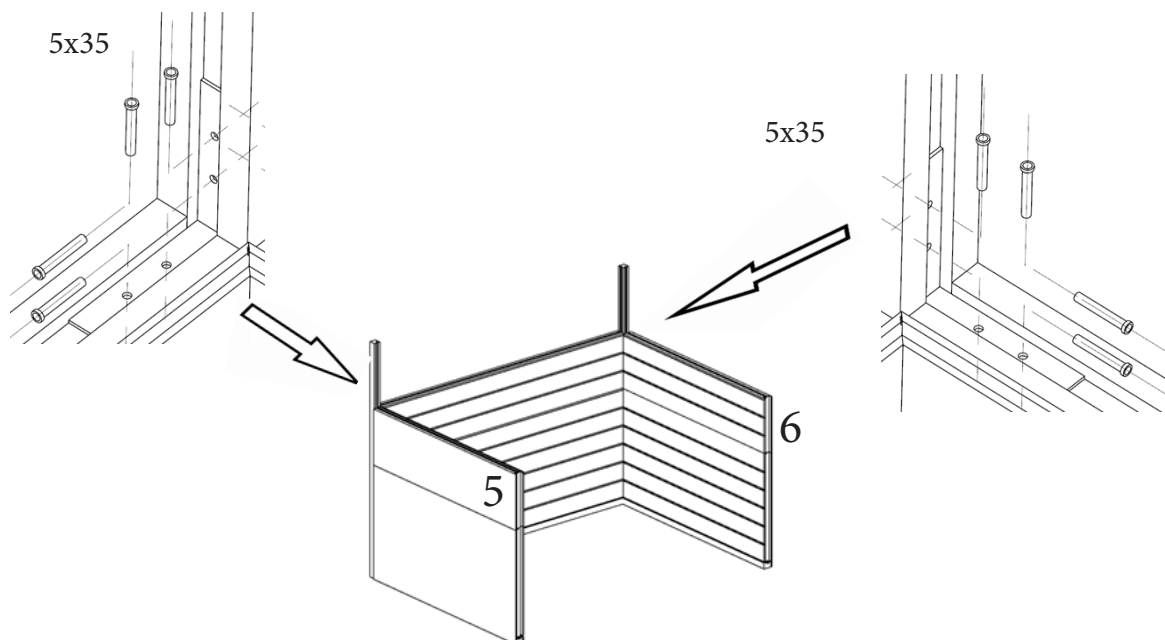
Place left side wall panel (2) and fix it to left back-side column with angle plate.
Place right side wall panel (3) and fix it to right back-side column with angle plate.



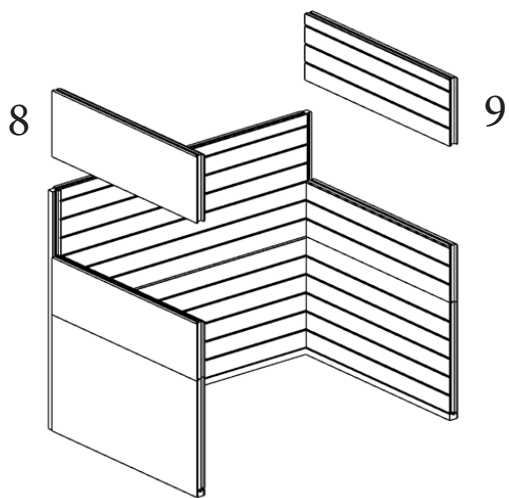
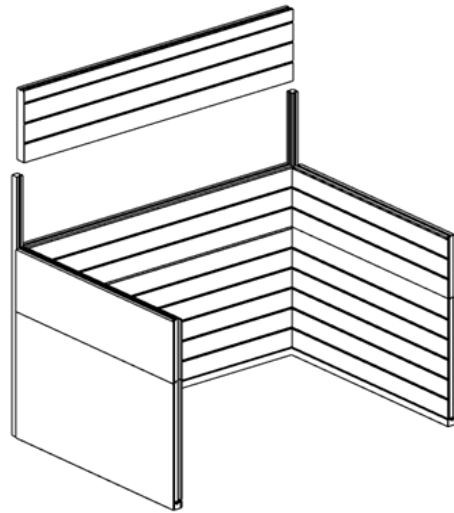
Place back side wall panel (4) and fix it to right and left back-side column with angle plates.



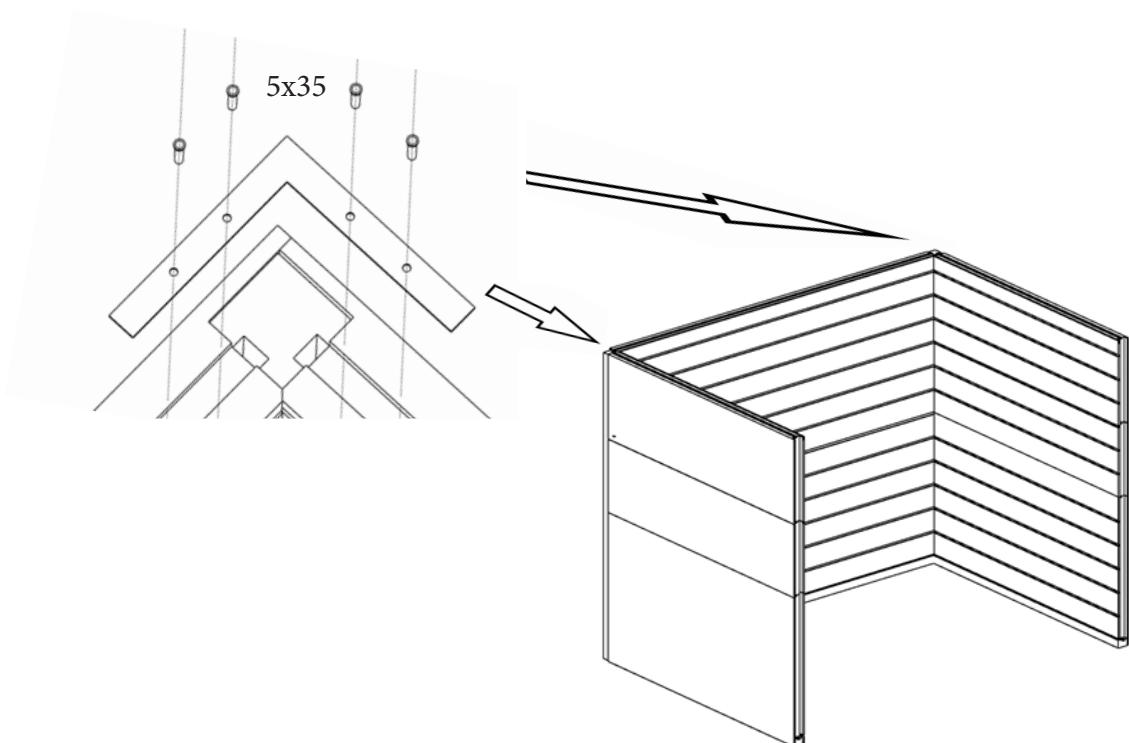
Place left side wall panel (5) and fix it to left column with angle plate.
Place right side wall panel (6) and fix it to right column with angle plate.



Place back side wall panel (7)

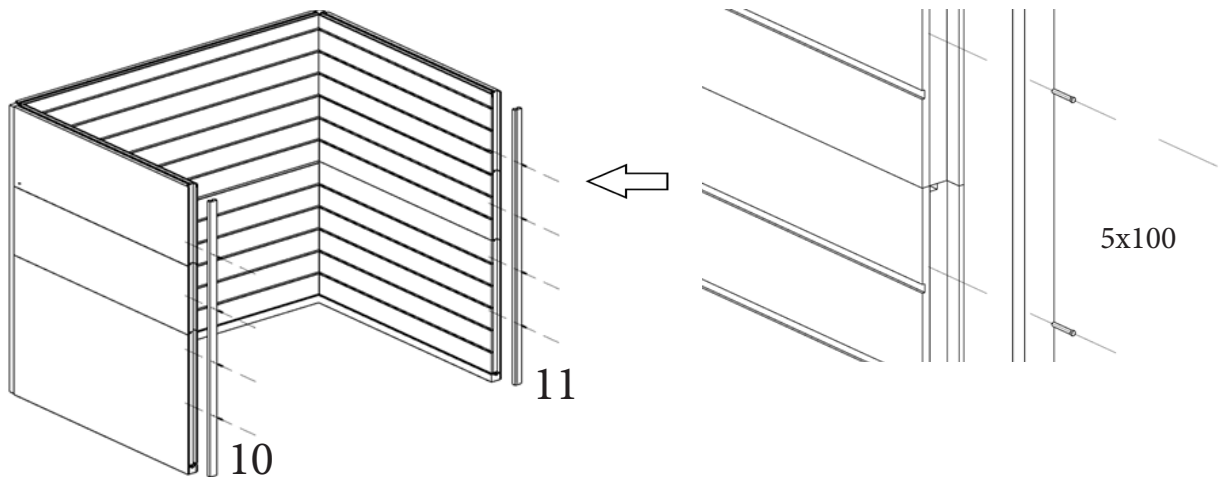


Place left side panel (8) and fix it to back side wall panel (7) with angle plate.
Place right side panel (9) and fix it to back side wall panel (7) with angle plate.

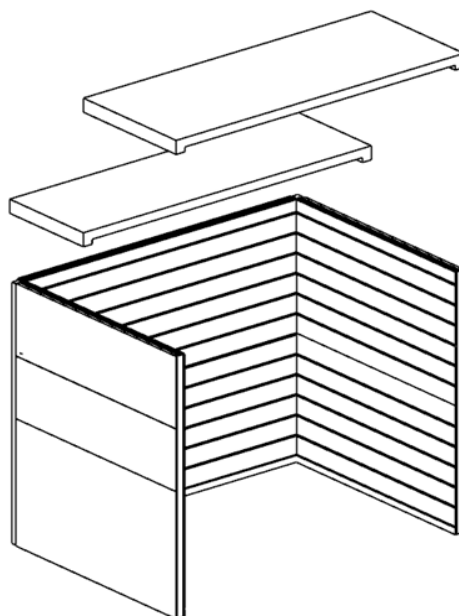


Assembly Vertical element number (10) to panels (2) (5) (8). It will ensure the good position of these tree wall panels. Fix with Screws 5x100.

Assembly element number (11) to panels (3) (6) (9). It will ensure the good position of these tree wall panels. Fix with Screws 5x100.



Place the back-side ceiling panel (12).
Place the front side ceiling panel (13).

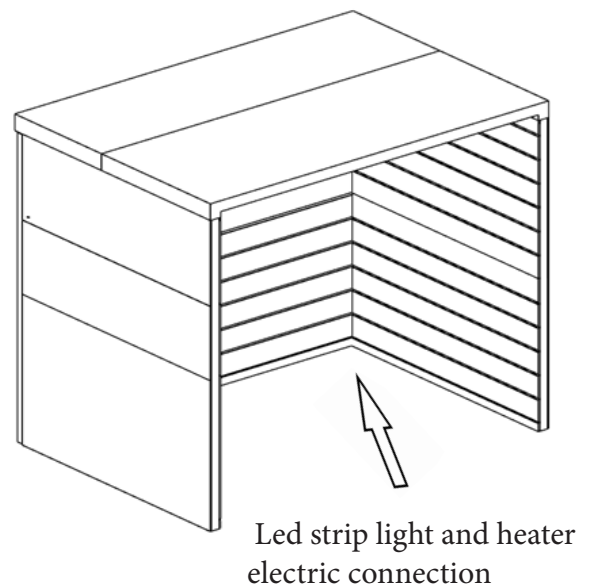


Place led strip lights.

Place heater.

Make electric connections.

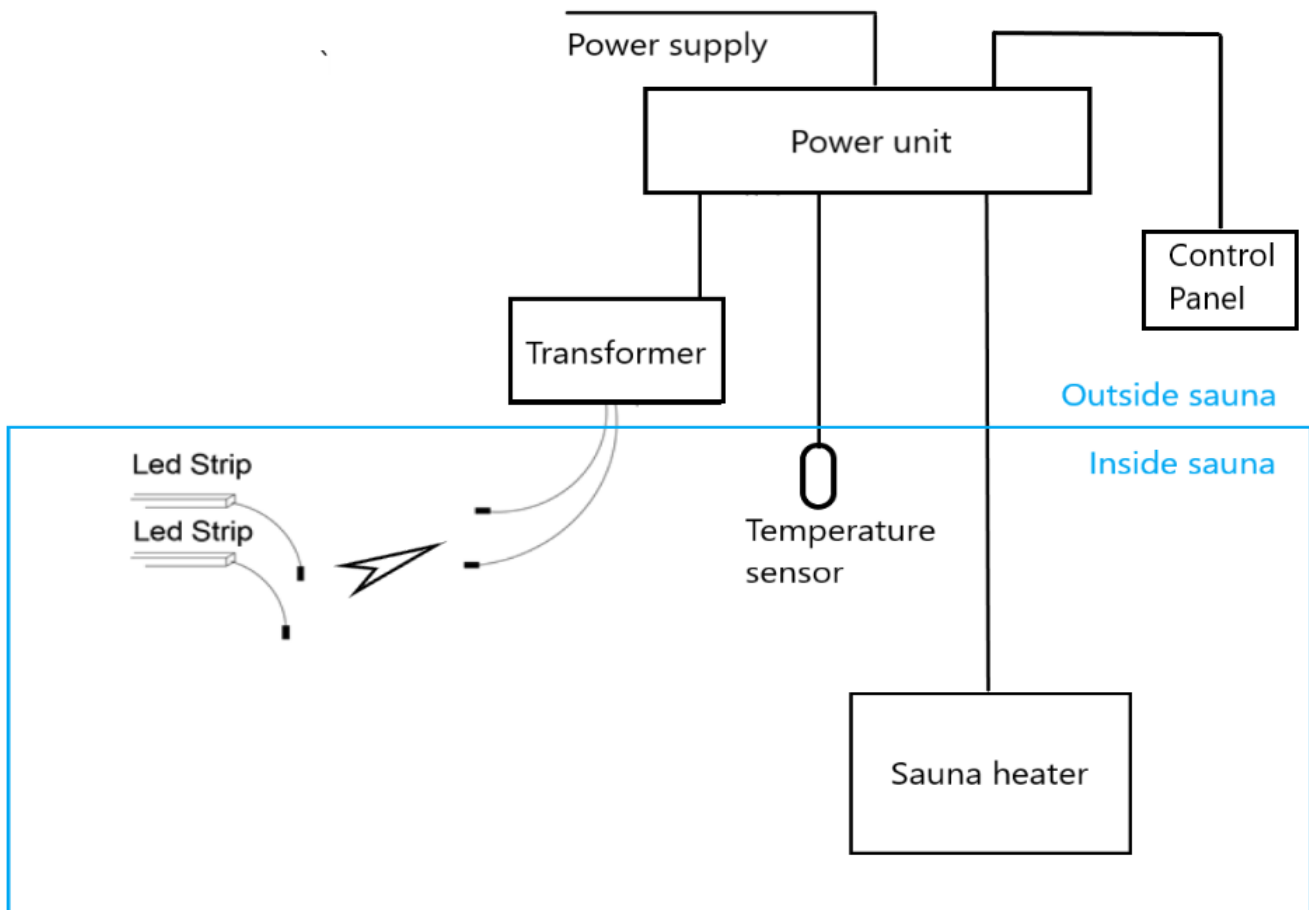
The element of most importance in a sauna is the electric equipment, emphasizing on the heater, which is producing the heat and the humidity in the sauna. The heater and led light are connected to the electrical supply of the building through one cable located on the top of the sauna. The digital panel consumes electricity from the el. supply and gives electricity to the sauna light and sauna heater. To avoid whatever accident due to the overheating of the electric installation of the building, it is indispensable that the electricity supply where the sauna is connected has the adequate intensity and consumption of the heater. It is also recommendable to have the electric line independent and to be protected with Residual-Current Device (RCD) with the correct intensity.



Important: The electric line where the sauna is connected has to have earth connection.

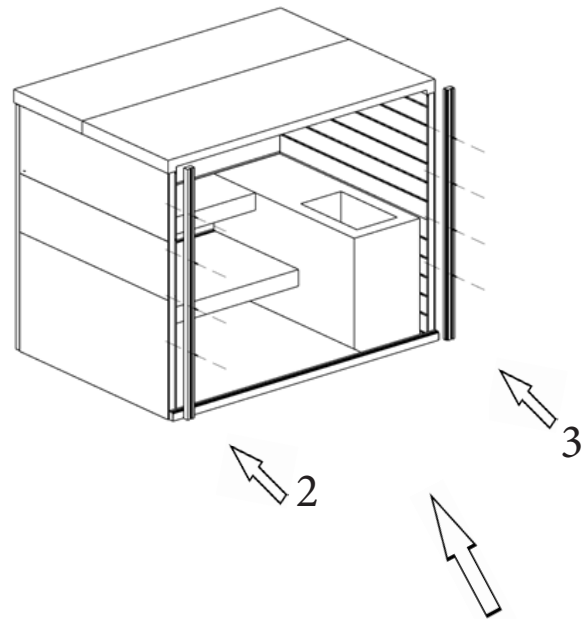
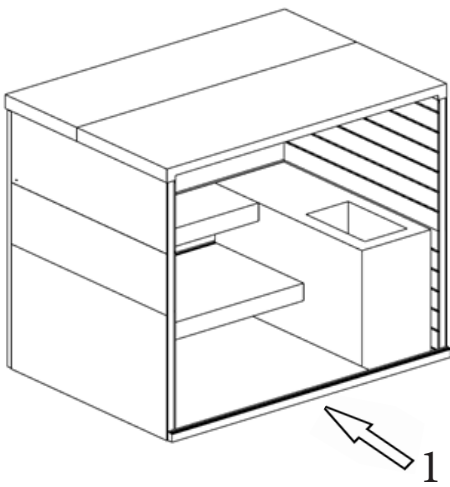
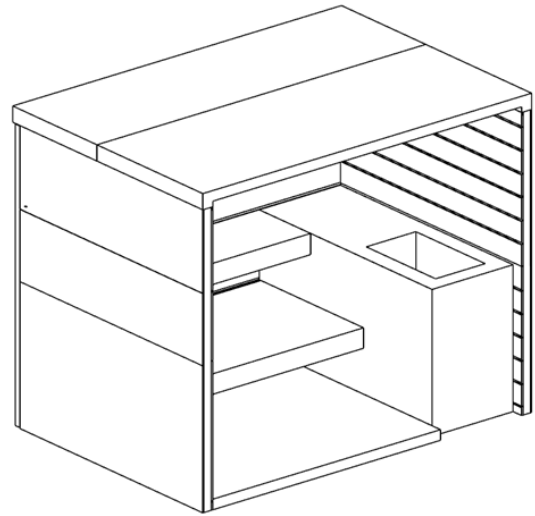
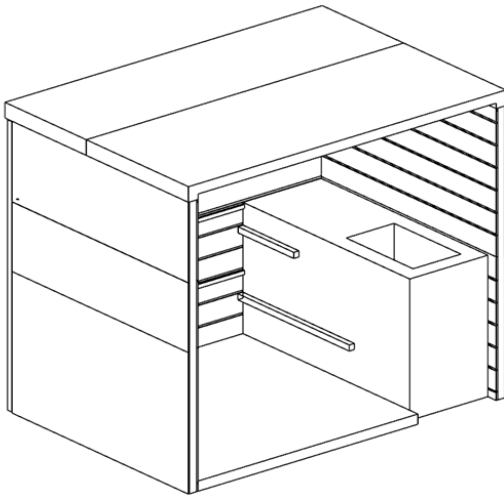
If it is not earth connected, an accident may occur.

ALL ELECTRIC CONNECTIONS MUST BE DONE BY A PROFECIONAL.



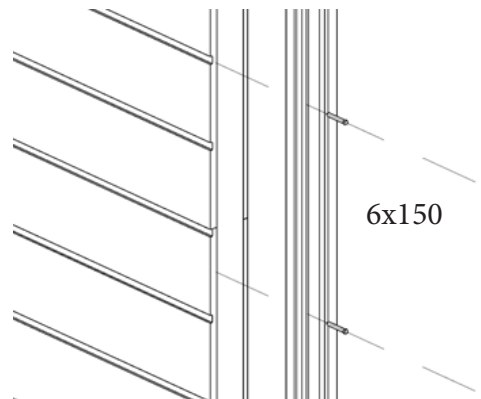
Place floor grating.
Place Module.

Place first level bench.
First level bench is made from
two parts.
Place second level bench.



Place front frame:

Down side part (1) of front
frame. Fix with 6x150 bolt.
Left side part (2) of front
frame. Fix with 6x150 bolt.
Right side part (3) of front
frame . Fix with 6x150 bolt.

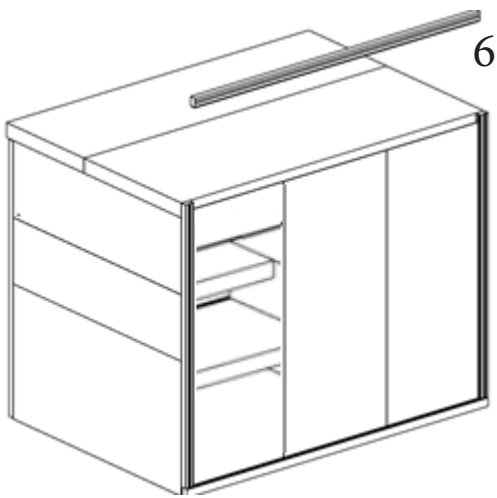
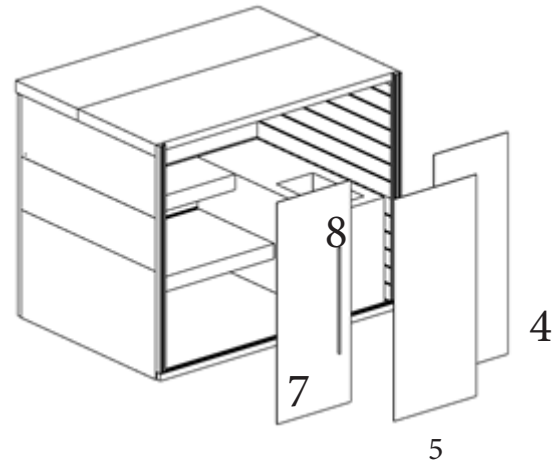


Install Glasses:

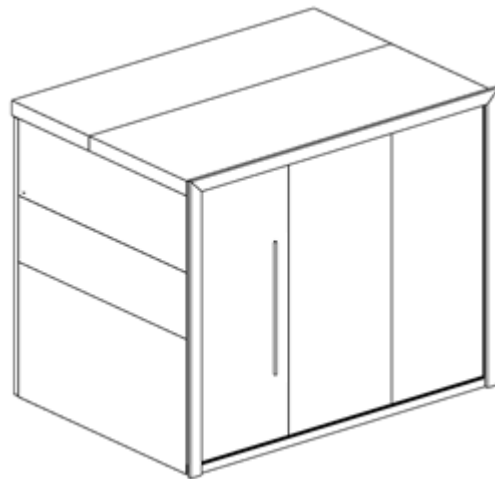
Start with left glass (4)

After install right glass (5)

Place TOP part (6) of front frame. Fix with 6x150 bolt.



Fix Hinges in pre-made holes
and install door
Install Handle (8)



IMPORTANT: AFTER THE SAUNA IS READY TO USE, THE FIRST HEATING OF THE SAUNA MUST BE UP TO THE TEMPERATURE OF 40 DEGREES. ON THE SECOND DAY HEAT THE SAUNA UP TO 60 DEGREES, AND THUS EVERY FOLLOWING DAY INCREASE THE TEMPERATURE BY 20 DEGREES. THE SAUNA WOOD HAS TO GET USED TO HIGH INTERNAL TEMPERATURE GRADUALLY. THE SAUNA SHOULD BE INSTALLED BY A PROFESSIONAL. ONCE THE SAUNA IS PUT TOGETHER ONE HAS TO CHECK ALL CONNECTIONS AND JOINTS AND MAKE SURE THAT THEY ARE STRONG ENOUGH TO BEAR THE WEIGHT OF THE SAUNA ELEMENTS.