



ZODIAC®



FILTRATION



FloPro™ e3

SIMPLE AND ENERGY EFFICIENT

1 GUARANTEED ENERGY SAVINGS

Thanks to its variable speed, the FloPro™ e3 pump can operate longer at a lower speed, **reducing electricity consumption by up to 80%.**

2 ULTRA-SILENT

The FloPro™ e3 is up to 10 dB(A) quieter than a standard filtration pump*, **which is similar to the sound level in a library.**

3 THE ESSENCE OF VARIABLE SPEED, FOR POOLS UP TO 80 M³

With the FloPro™ e3 pump, the key advantages of **variable speed** are accessible in a simplified version with 3 programmable speeds that can be set from 1000 to 2,850 rpm for even **greater savings.**



ENERGY SAVING



LOW NOISE LEVEL



BENEFITS OF THE FloPro™ PLATFORM



EASY RETROFIT

Easy to install, even as a replacement

Thanks to the "Easy Retrofit" system, pumps can be installed without changing the piping. So, they are compatible with most existing installations.



LARGE CAPACITY

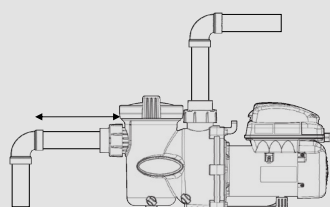
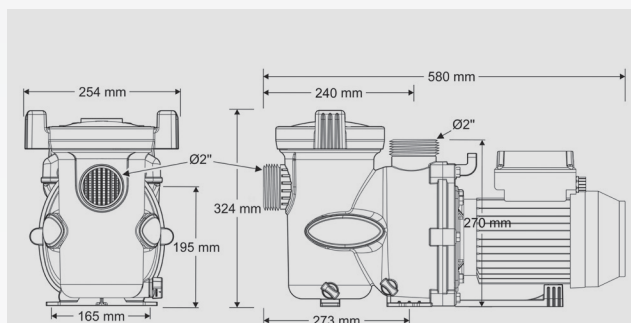
Easy maintenance

A pre-filter basket that is up to 117% larger means more debris can be captured before the filter needs to be cleaned.

* Compared to a standard filtration pump emitting at least 66 dB(A). Values expressed in A-weighted acoustic power level according to ISO standard 3741.

BENEFITS

- 63/50 mm union connectors provided
- 2 optional pump bases for easy installation
- Compatible with salt water



OPTIMISED INSTALLATION
Suction hose length = 4 x diameter
(DN50 = 20 cm / DN63 = 25 cm)

STANDARD FEATURES



63/50 mm
union tailpieces

ACCESSORIES



Thin pump base



Thick pump base

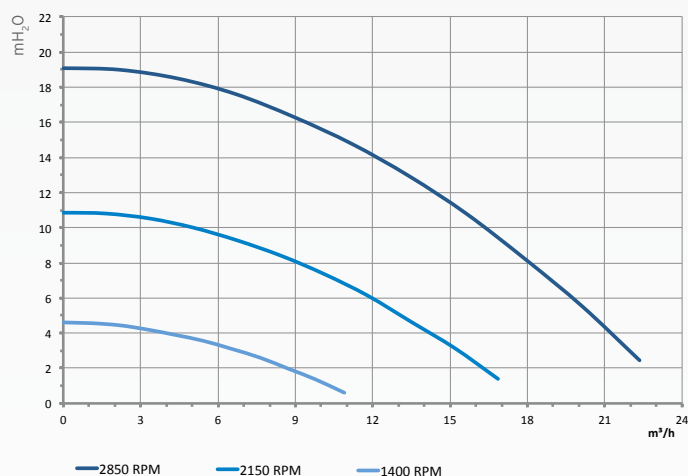
TECHNICAL INFORMATION

User interface	1-line LCD screen (blue display)
Speeds	3 programmable speeds (+/- 50 RPM) Factory settings: ECO (1,400 RPM), CLEAN (2,150 RPM) & BOOST (2,850 RPM)
Usage	Fresh water and salt water up to 6 g/L (6,000 ppm)
Power output (P2)	1.00 HP / 0.75 kW
Flow rate at 10 m head	16.3 m ³ /h (at 2,850 RPM)
Maximum flow rate	22.4 m ³ /h
Maximum Manometric head	19.1 m
Pre-filter basket volume	2.6 L
Motor type	Permanent magnet synchronous motor (ECM* technology), TEFC**, class F insulation
50 Hz power supply	220-240 VAC

*: ECM = Electronically Commutated Motor (= electronically controlled permanent magnet 'brushless' motor)

** : Totally-Enclosed Fan-Cooled

PERFORMANCE GRAPHS



FOR WHICH TYPE OF POOLS?

1 ALL TYPES OF SWIMMING POOL



2 POOLS UP TO 80 M³

OPTIMUM EFFICIENCY IN POOLS FROM 15 TO 60 M³



3 YEAR
WARRANTY