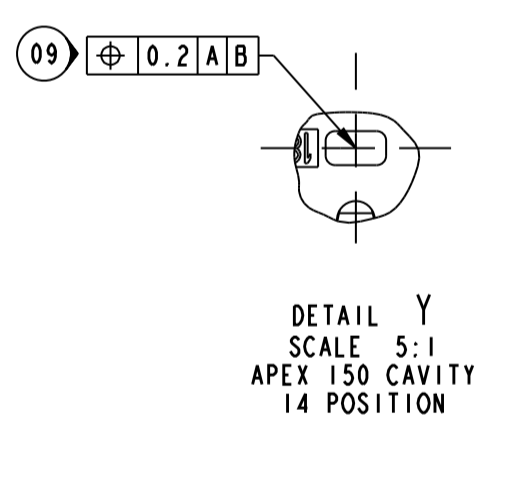
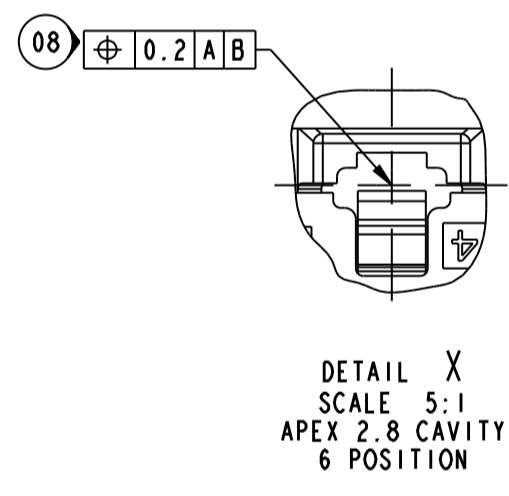
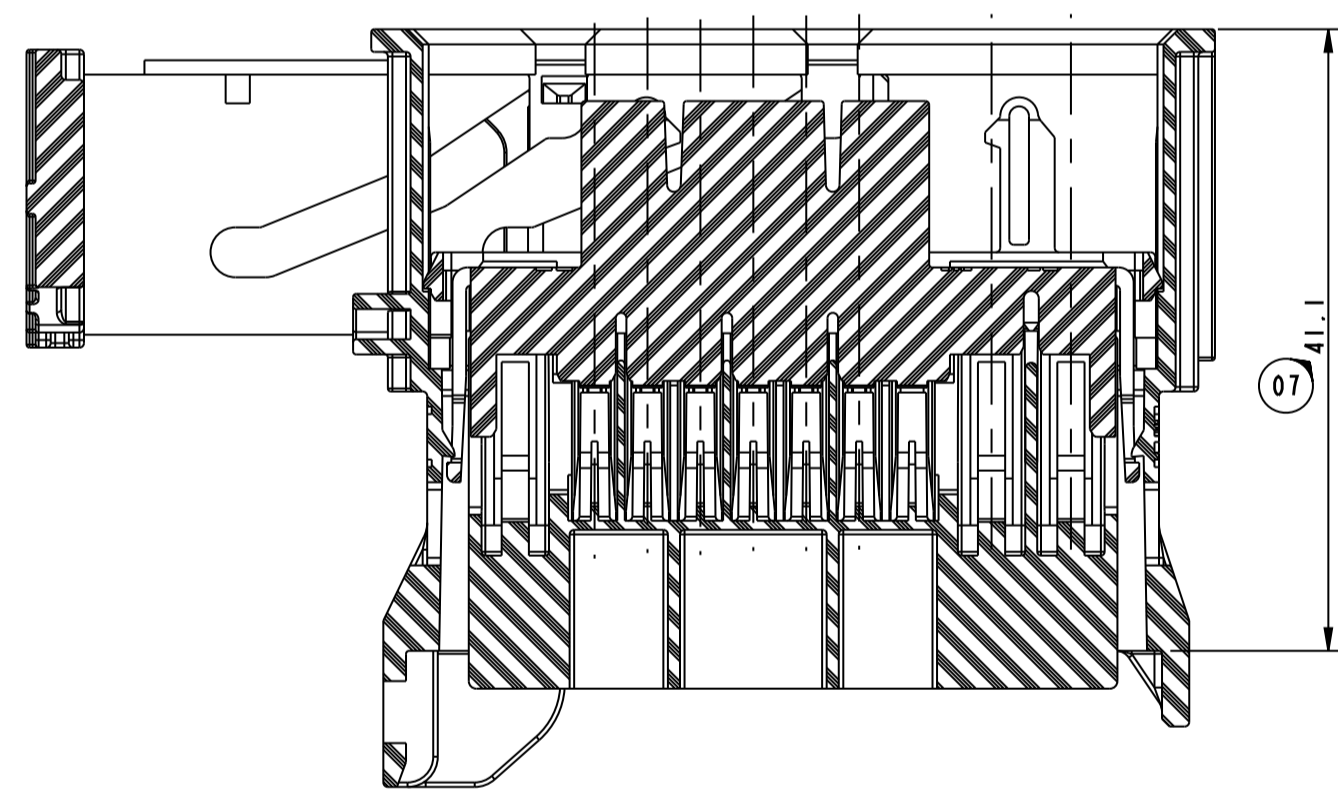
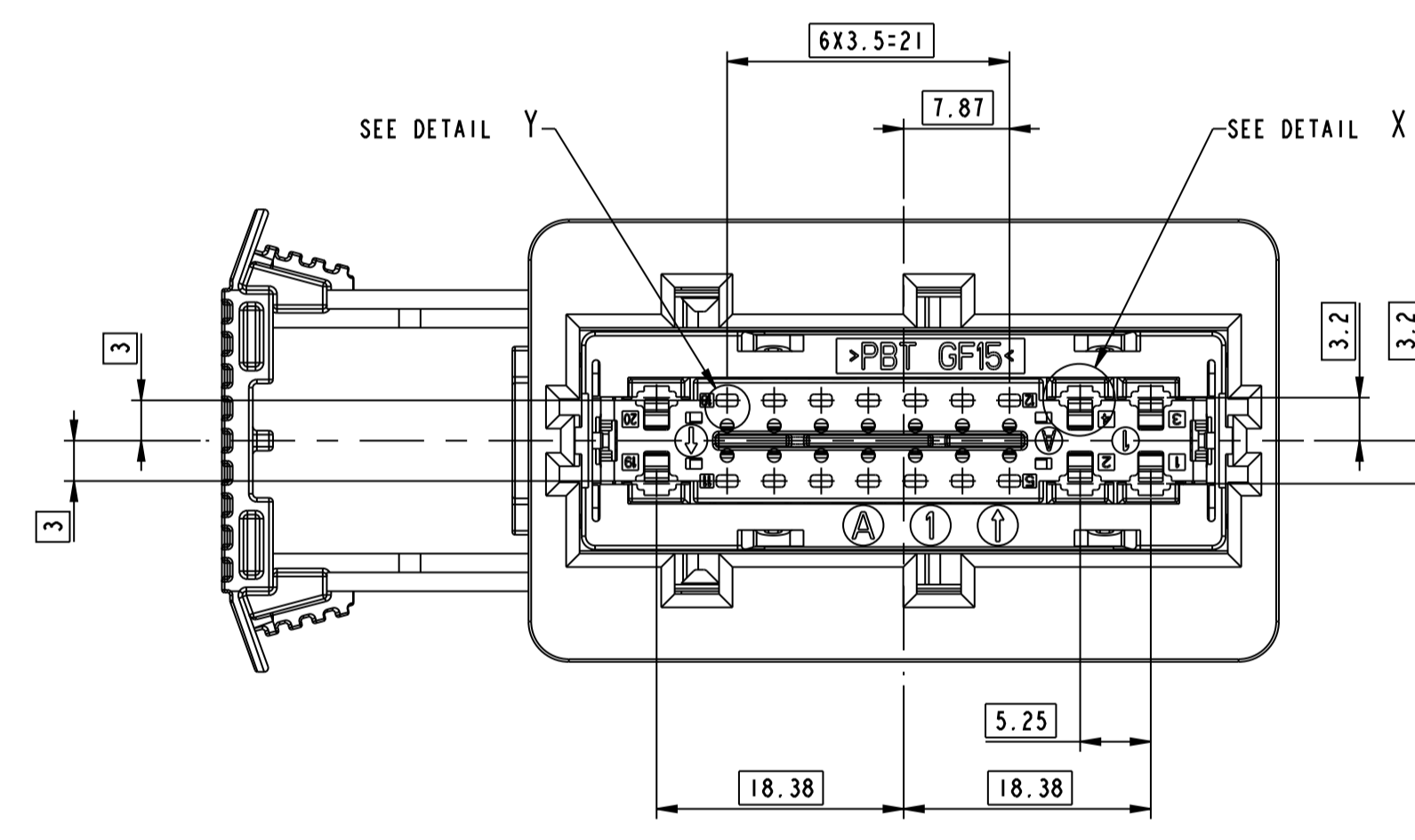
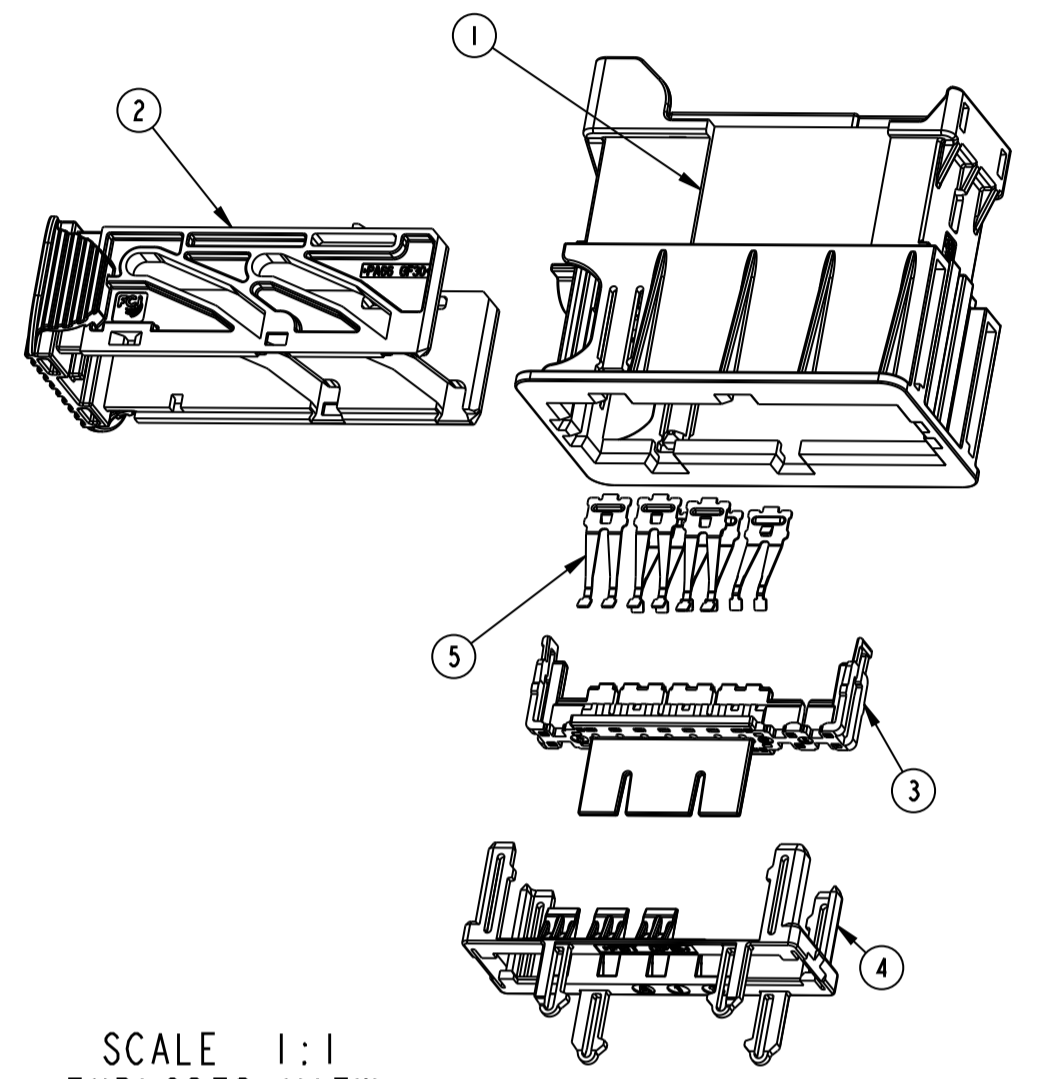
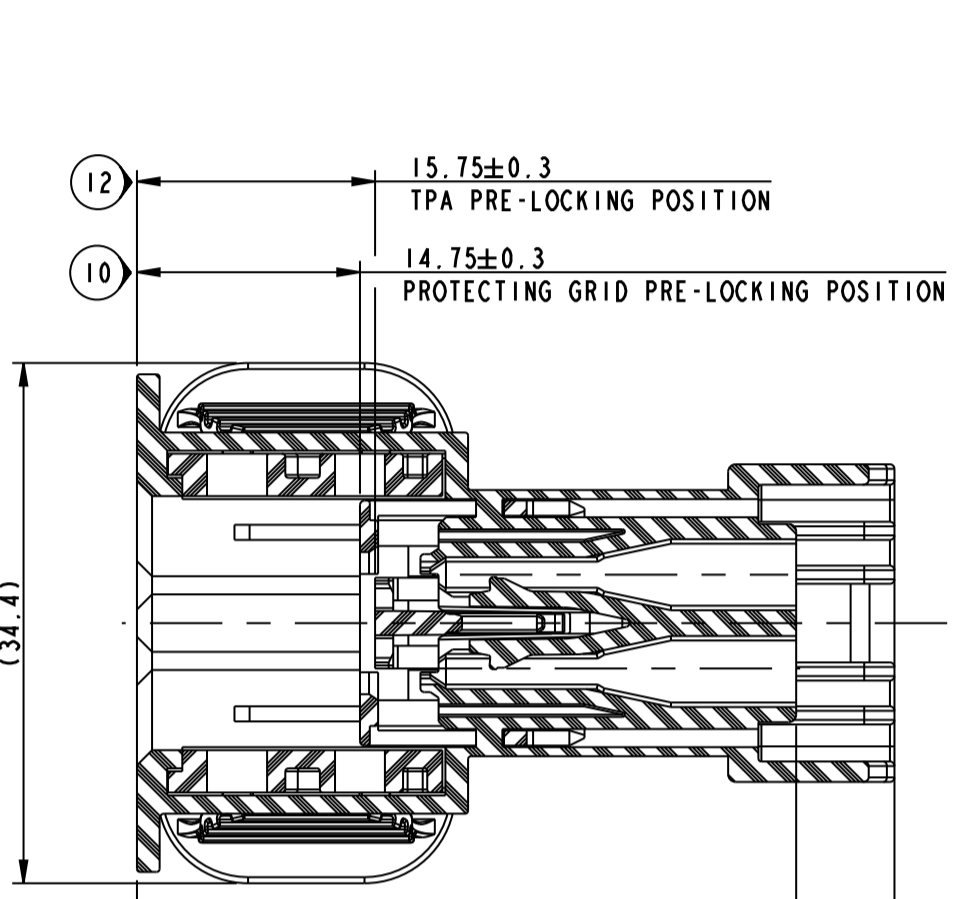
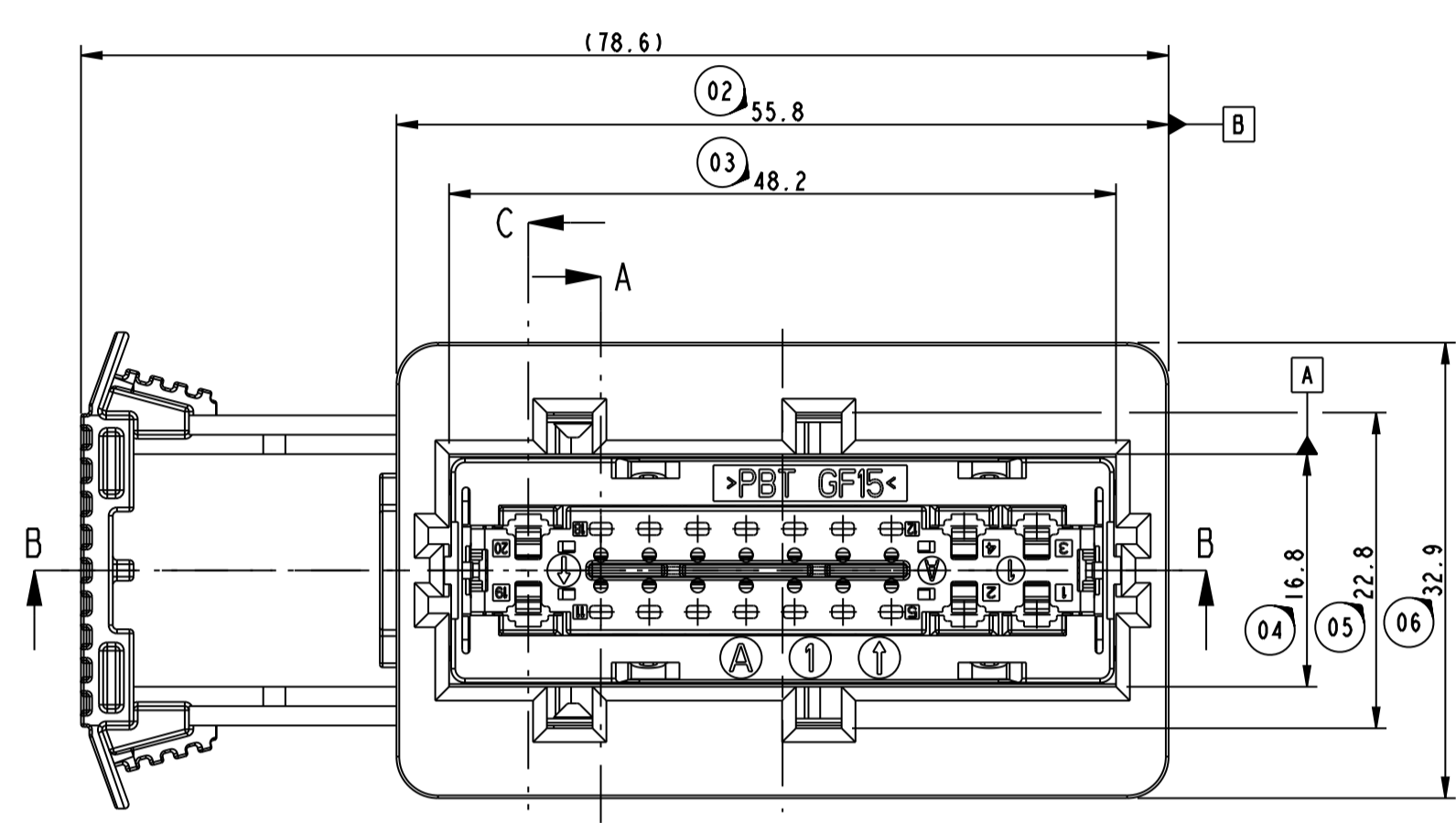
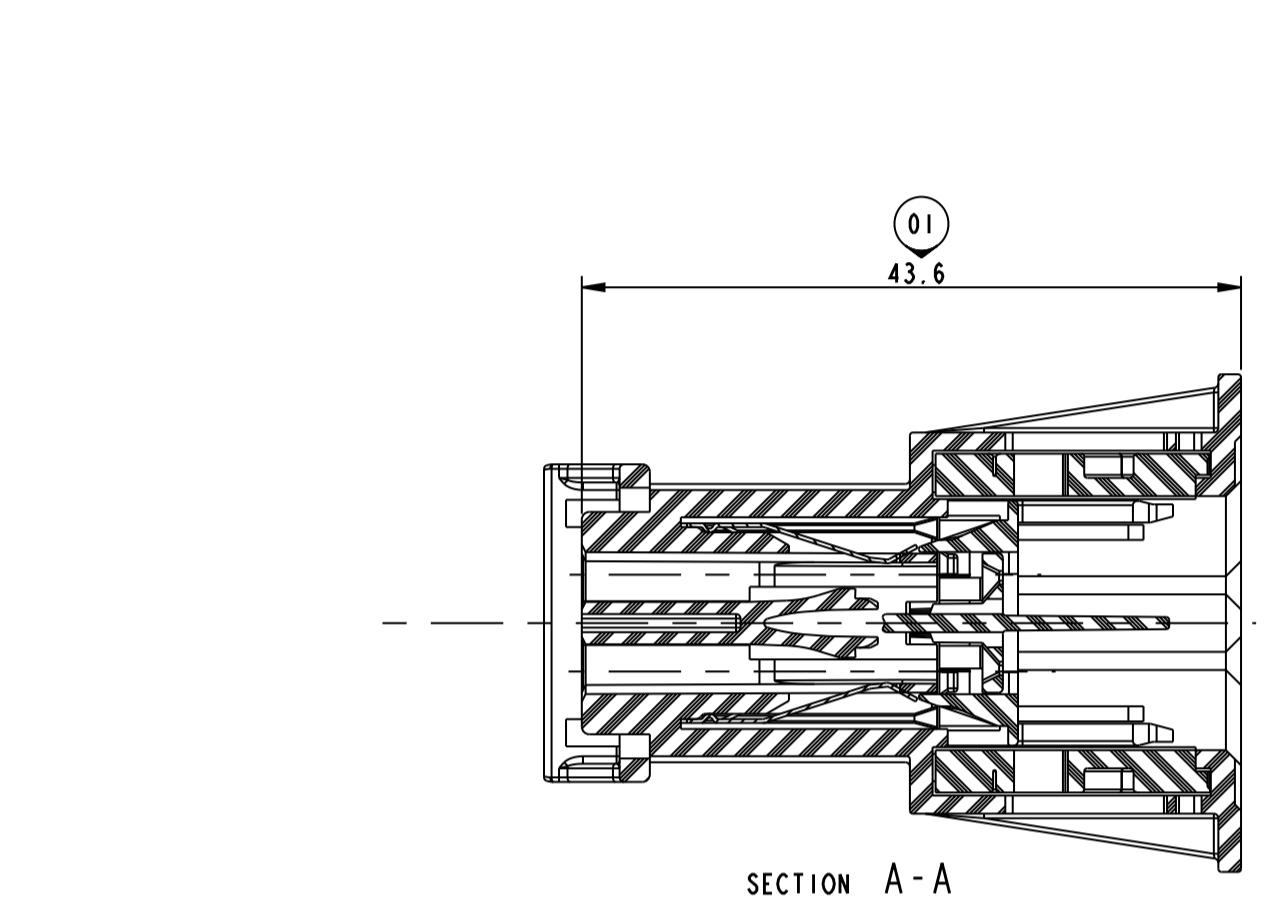
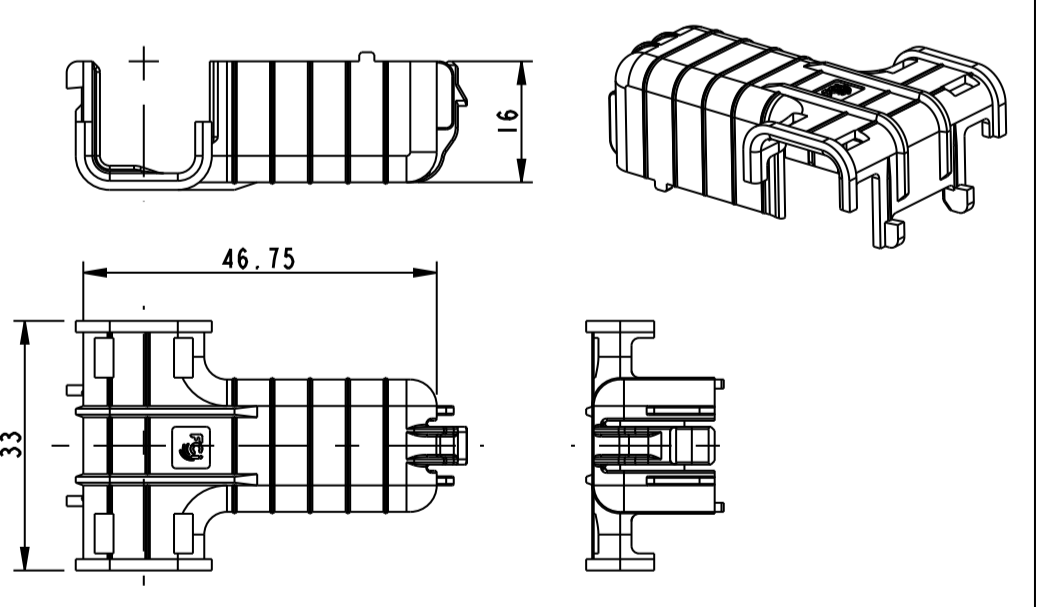


ISOMETRIC VIEWS



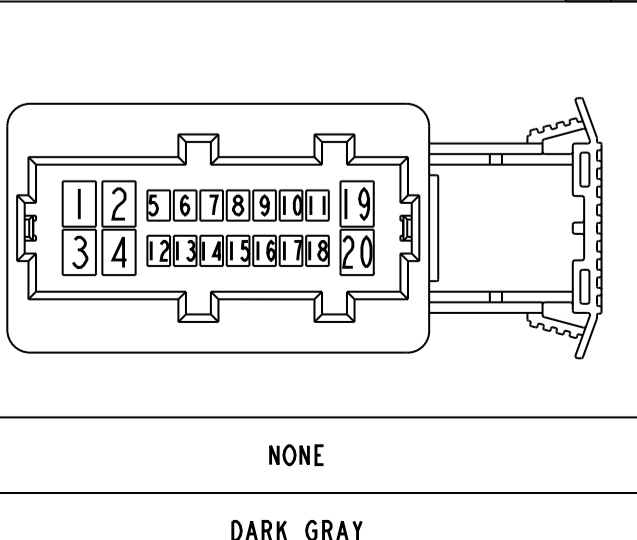
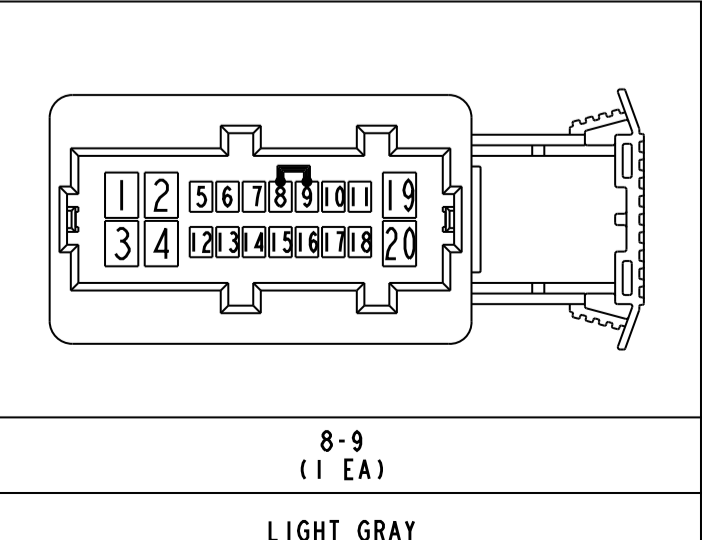
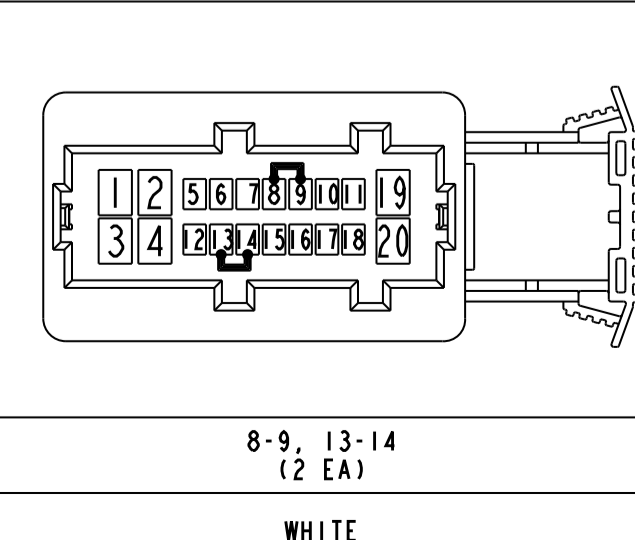
- NOTES
- NOT SPECIFIED TOLERANCE : DIN ISO 2768(M)
  - MUST BE FREE OF CRACK, FLOW MARK, FLASH, BURR ETC THAT AFFECT FUNCTION OF PRODUCT
  - THIS PRODUCT MUST MEET KN-07-003
  - UNLESS OTHERWISE SPECIFIED TO VENDOR SPECIFICATION.
  - APPLICABLE FEMALE CONNECTOR : 902873-01(MVL)/13937004(DELPHI)
  - FCI LOGO
  - CAVITY NUMBER.
  - DATE CLOCK
  - MATERIAL
  - REVISION INDEX
  - MOLD CAVITY NUMBER.



1	Dress cover	903092-00	33508359
No	Product Name	MVL	DELPHI
		Product Number	

ASSOCIATED PARTS

MALE TERMINALS	PART NUMBER	WIRE SPEC	WIRE SIZE (mm <sup>2</sup> )	Male Size	TYPE
	MVL DELPHI				
APEX 150 Male terminal	54001626	13630404	FLRY-B	0.75 - 1.0	Tin
	54001629	13755243	AVSS	0.75 - 1.25	Gold
	54002001	13624759	FLRY-B	0.35 - 0.5	Tin
	54002004	33500641	AWG	20, 22 GAGE	Gold
APEX 2.8 Male terminal	54001801	10762775	FLRY-B	0.5 - 1.0	Tin
	54001401	10757692	AVSS	0.5 - 0.85	
	54001401	10757692	FLRY-B	1.5 - 2.5	
	54001401	10757692	AVSS	1.0 - 2.0	
	54001001	10762774	FLRY-B	4.0	
			AWG	10, 12 GAGE	



ASSEMBLY P/N	DELPHI	MVL	TPA COLOR	HOUSING COLOR
902874-00	33243947		WHITE	BLACK
903094-00	33504000		LIGHT GRAY	BLACK
903095-00	33504001		DARK GRAY	BLACK
F866800	33504002		WHITE	YELLOW
F076800	33504003		LIGHT GRAY	YELLOW

Linear dimensions except for broken edges (radii, chamfers)	Permissible deviations for basic size range (mm)
0.5 to over 3	±0.1
3 to over 6	±0.15
6 to over 30	±0.2
30 to over 120	±0.3
120 to over 400	±0.4
400 to over 1000	±0.5
1000 to over 2000	±0.6
2000 to over 4000	±0.7
4000 to over 10000	±0.8
10000 to over 20000	±0.9
20000 to over 40000	±1.0
40000 to over 100000	±1.2
100000 to over 200000	±1.5
200000 to over 400000	±2.0
400000 to over 1000000	±2.5
1000000 to over 2000000	±3.0
2000000 to over 4000000	±4.0
4000000 to over 10000000	±5.0
10000000 to over 20000000	±6.0
20000000 to over 40000000	±7.0
40000000 to over 100000000	±8.0
100000000 to over 200000000	±9.0
200000000 to over 400000000	±10.0
400000000 to over 1000000000	±12.0
1000000000 to over 2000000000	±15.0
2000000000 to over 4000000000	±20.0
4000000000 to over 10000000000	±25.0
10000000000 to over 20000000000	±30.0
20000000000 to over 40000000000	±40.0
40000000000 to over 100000000000	±50.0
100000000000 to over 200000000000	±60.0
200000000000 to over 400000000000	±70.0
400000000000 to over 1000000000000	±80.0
1000000000000 to over 2000000000000	±90.0
2000000000000 to over 4000000000000	±100.0

UNSPECIFIED WIRE SPEC, REFER TO THE CRIMPING SPECIFICATION OF EACH TML

REQUIRED	REF	DESIGNATION	MATERIAL	COLOR	WEIGHT(g)	FCI P/N	
2	1	1	SHORTING BAR	-	Au plating	0.13	54251496
1	1	1	PROTECTING GRID	PBT GF15X	BLACK	1.24	502995-00
1	1	1	MALE TPA	PBT GF30X	DARK GRAY	1.24	503026-00
1	1	1	MALE TPA	PBT GF30X	LIGHT GRAY	1.24	503025-00
1	1	1	MALE TPA	PBT GF30X	WHITE	1.24	502953-00
1	1	1	SLIDER	PA66 GF30X	BLACK	5.83	502955-00
1	1	1	MALE HOUSING	PBT GF30X	YELLOW	23.6	S176800
1	1	1	MALE HOUSING	PBT GF30X	BLACK	23.6	502952-00

ECN NO.	ECN NO.	POSITION	CHANGE DESCRIPTION
PD15-048	B16, C8	DELPHI P/N ADDED	
ECN-12-914	B16	ADDED WIRE SPEC (FLRY B, AVSS, AWG)	

DO NOT MEASURE DRAWING

DATE: 09/01/14

NAME: Park JH

PROJECT: 20 way Hybrid unsealed male connector

APPROVED BY: 15/04/01

DATE: 15/04/01

DESIGNER: Lee MY

DATE: 15/04/01

ECN NO.: AP-075130

DATE: 15/04/01

NO MODIFICATION ALLOWED OUTSIDE DELPHI

DELPHI PACKARD ELECTRICAL/ELECTRONIC ARCHITECTURE

STATE: MI

PART NUMBER: PCC0666475

SEE TABLE