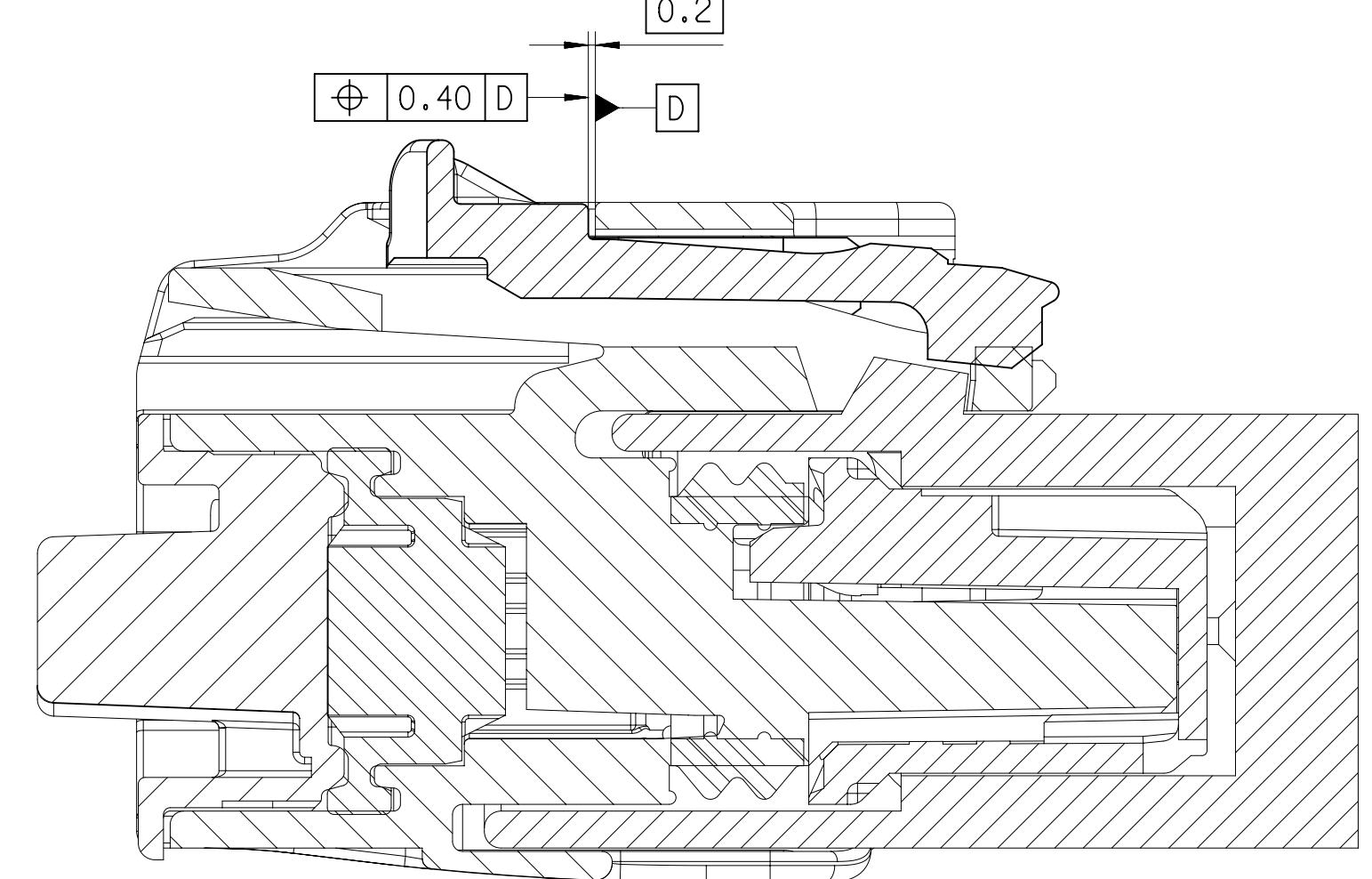
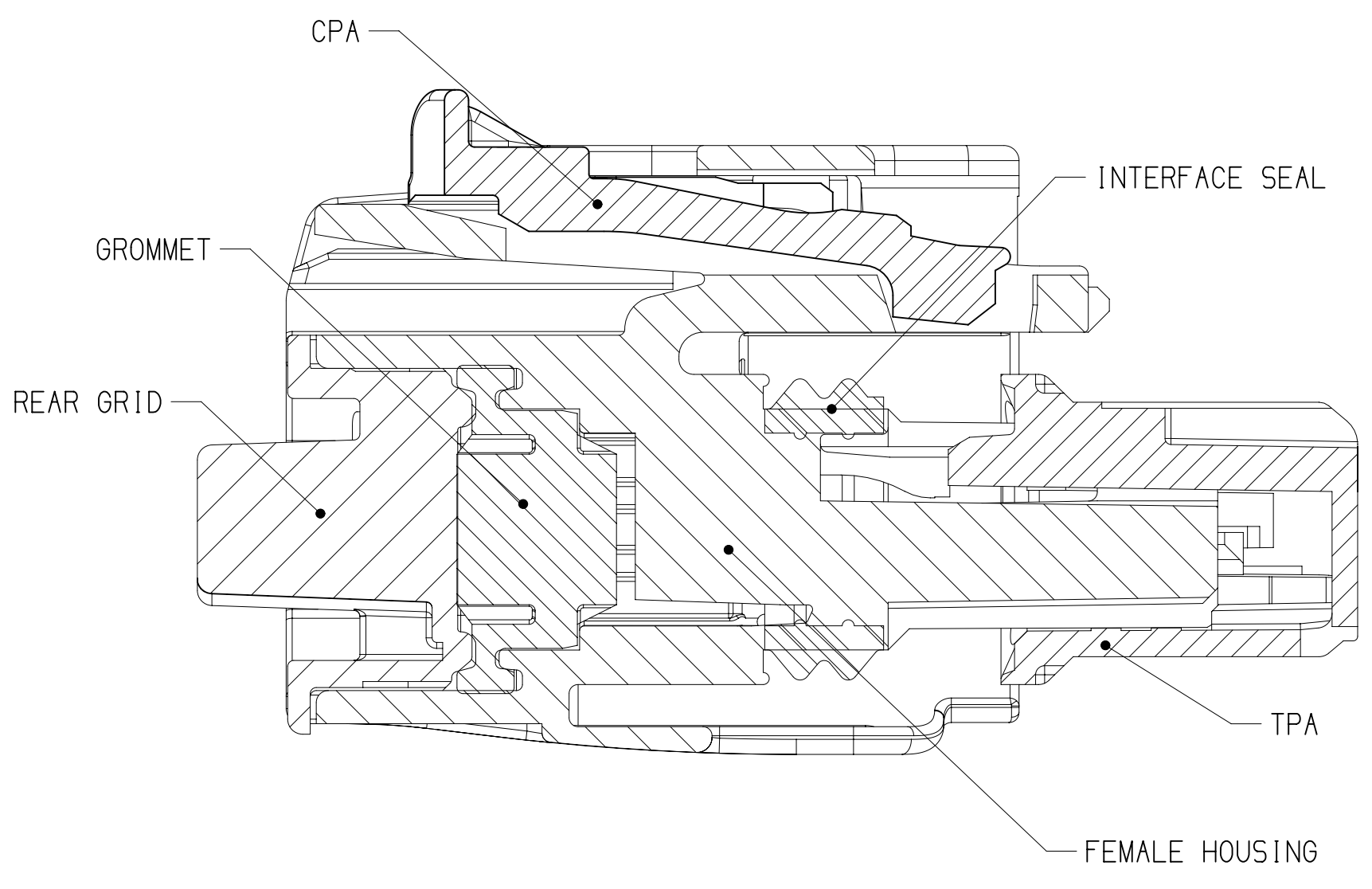
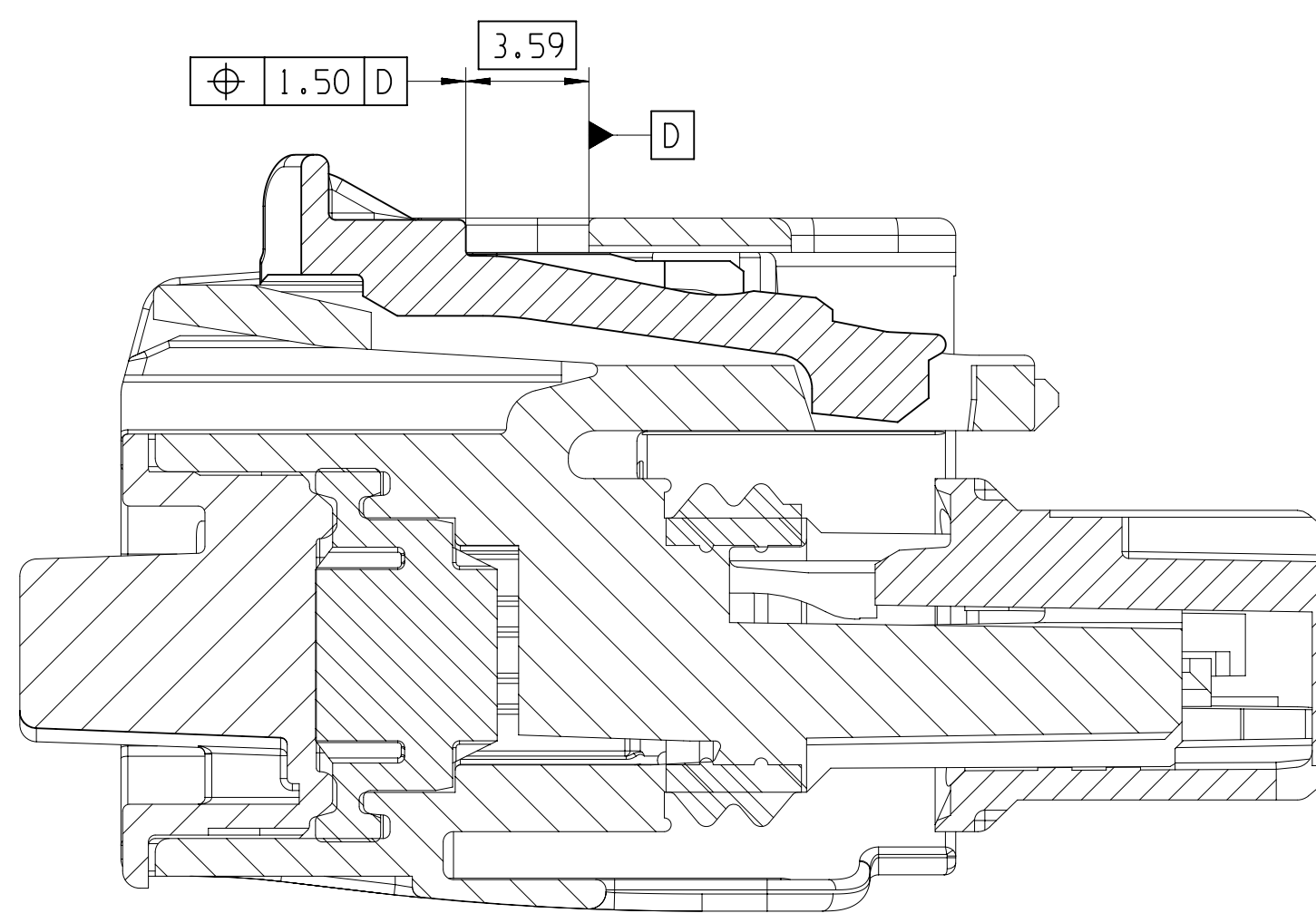


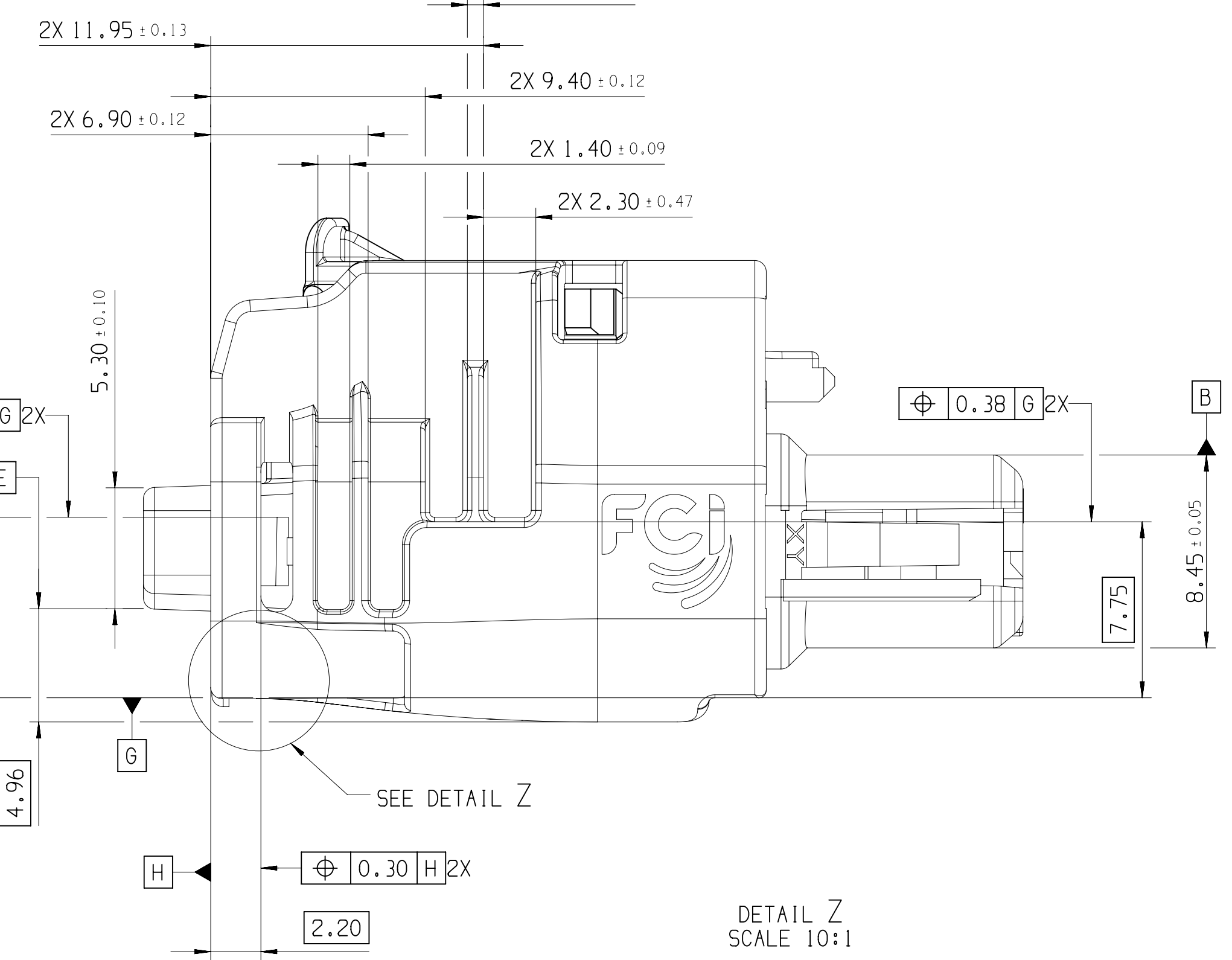
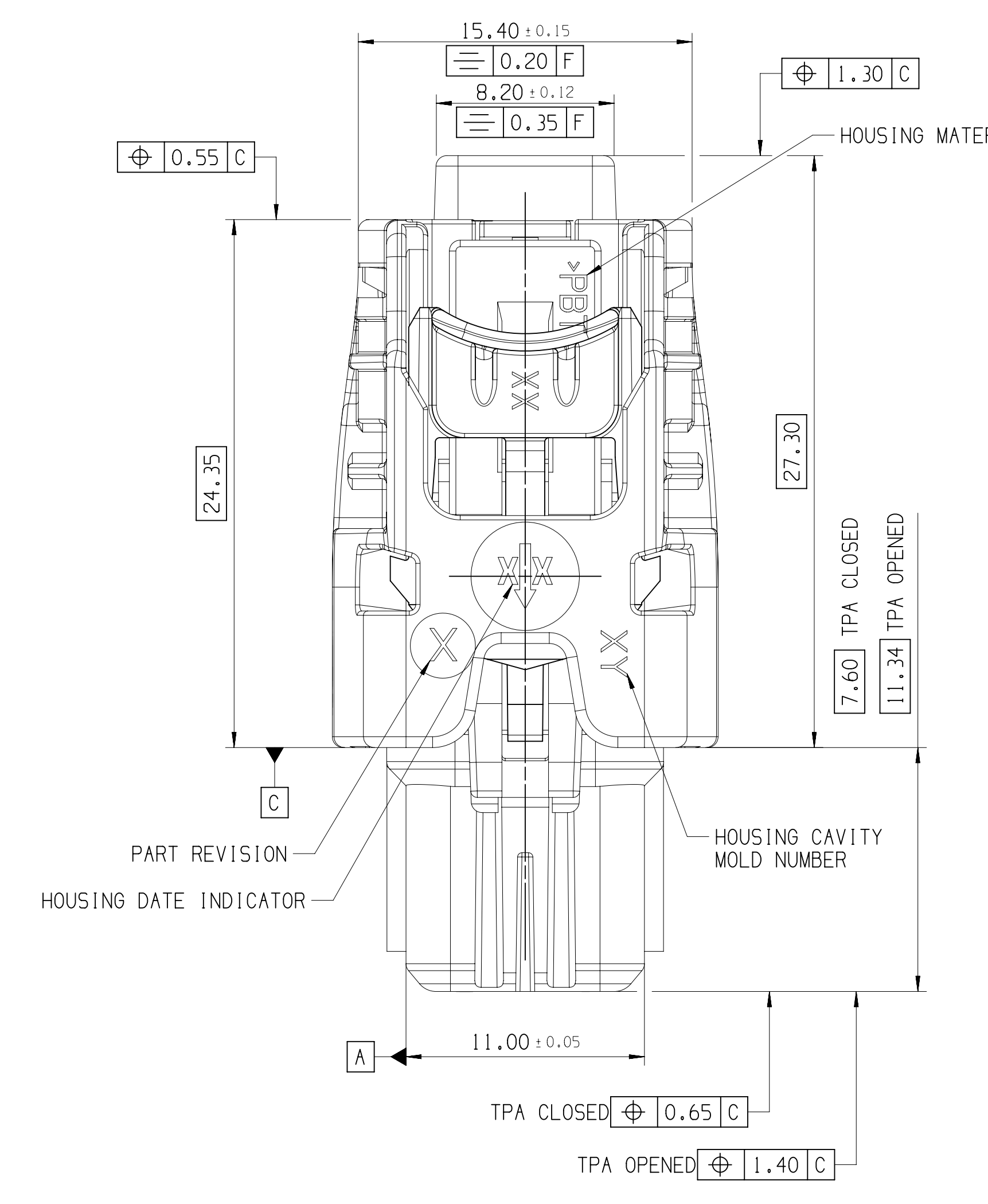
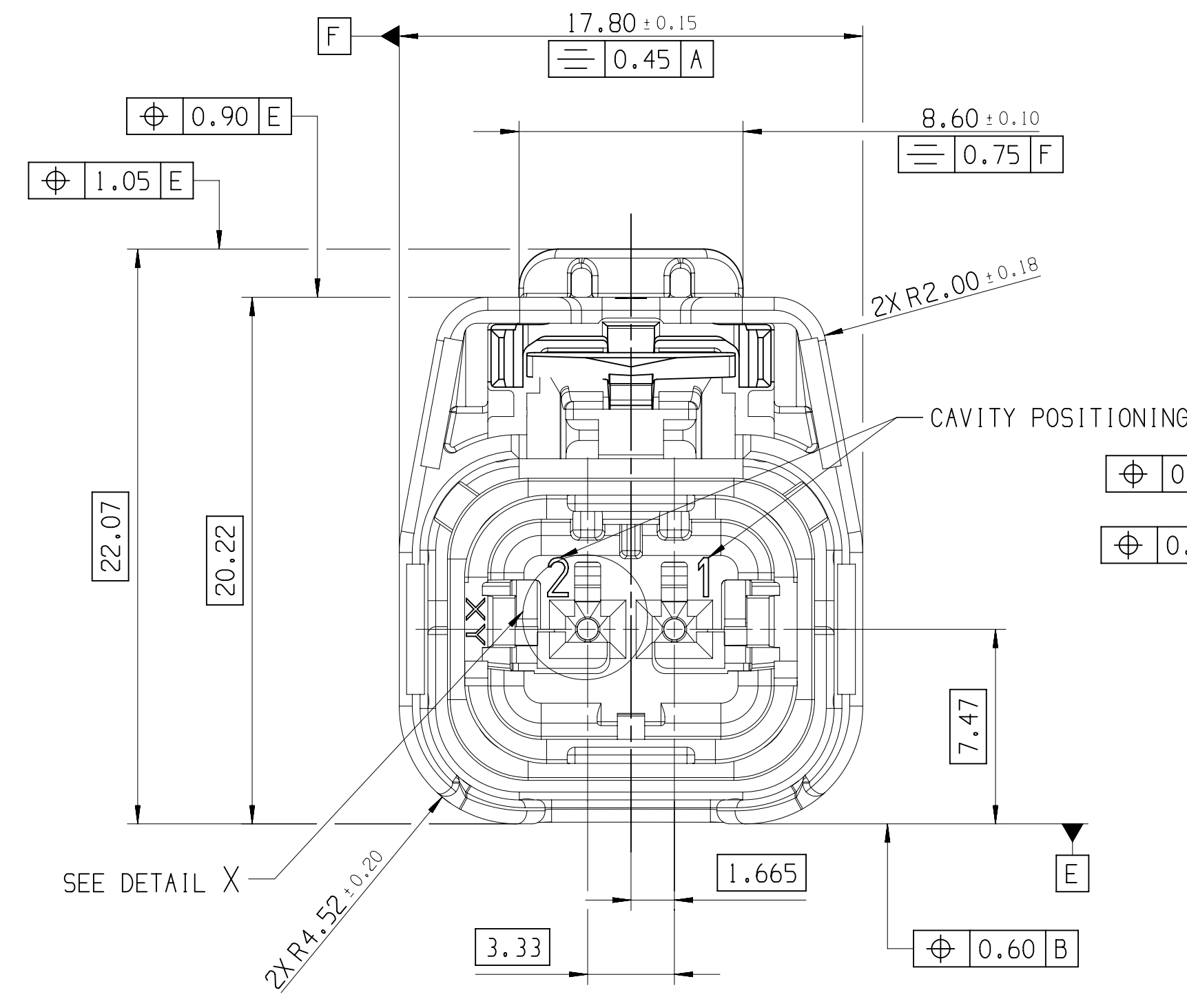
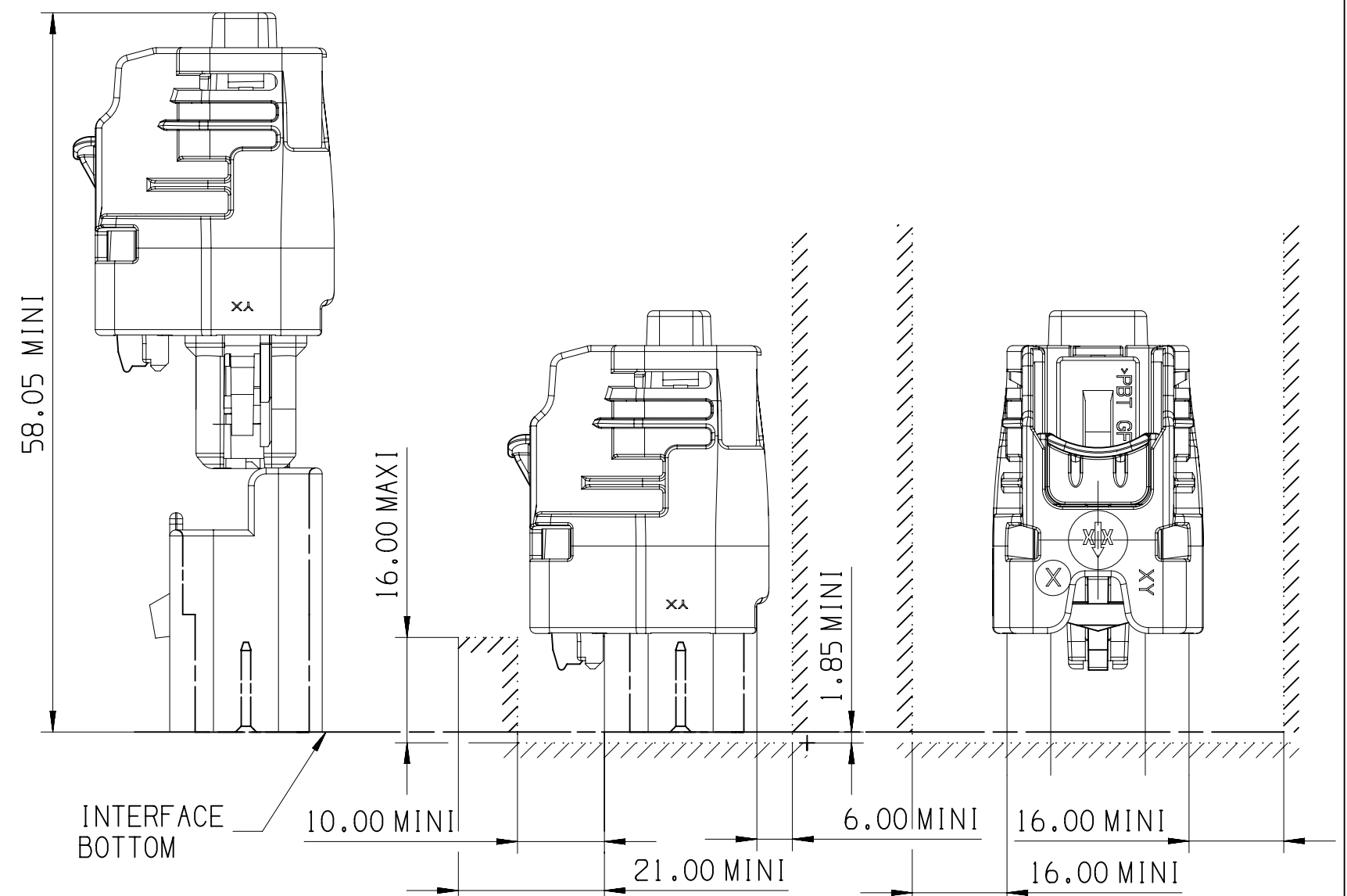
CONNECTOR MATED AND CPA LOCKED VIEW



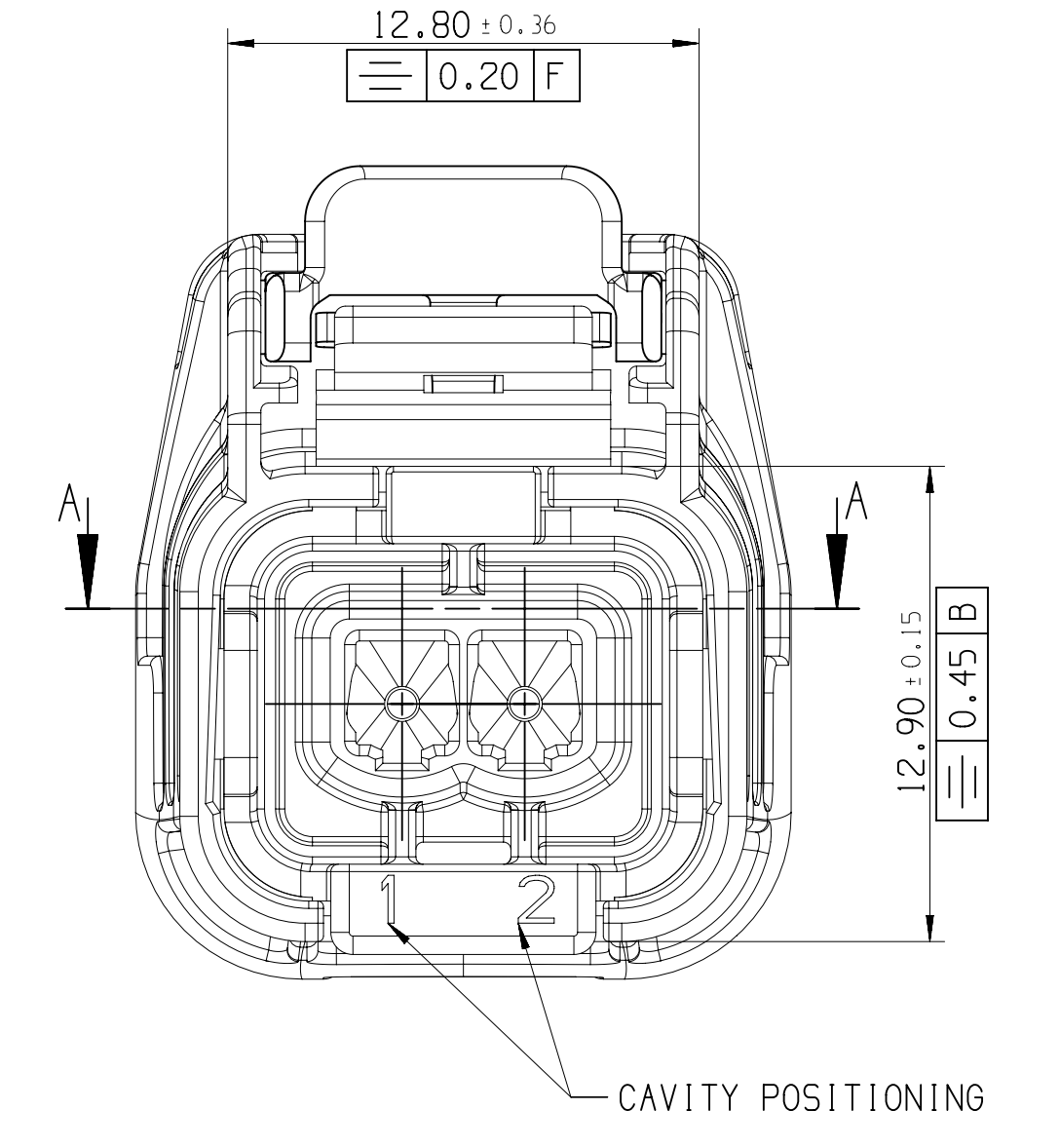
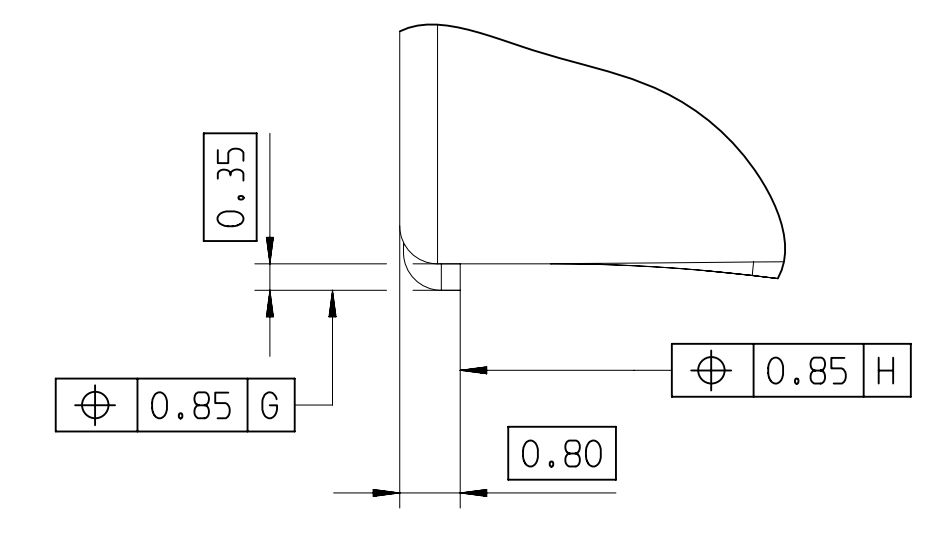
CONNECTOR WITH UNLOCKED CPA



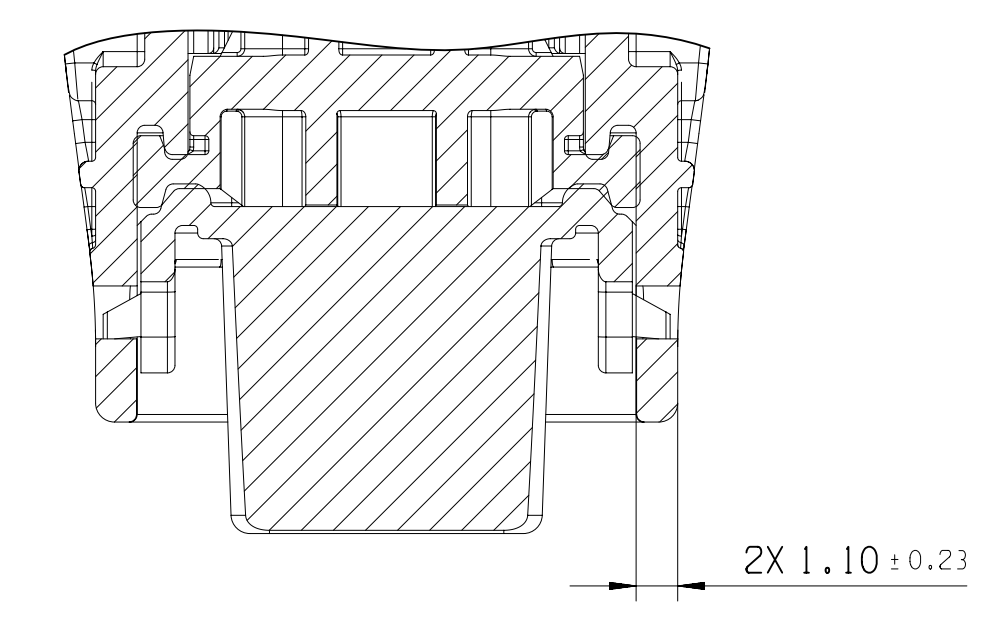
OVERALL DIMENSION FOR MOUNTABILITY



DETAIL Z SCALE 10:1



SECTION A-A

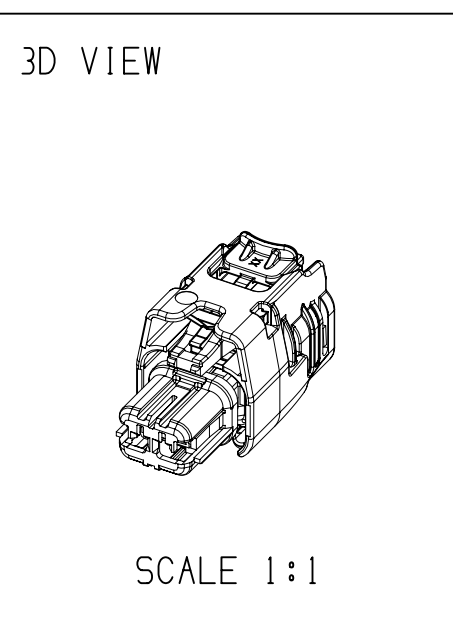


ASSOCIATED PARTS (INFORMATION)				
SECTION	GTS2 1.5 TINNED FEMALE TERMINAL USING UNIT I TEMPERATURE 125° C MVL P/N (APTIV P/N)	GTS2 1.5 Au PLATED 1.27mm FEMALE TERMINAL USING UNIT I TEMPERATURE 150° C MVL P/N (APTIV P/N)	EXTERNAL DIAMETER OF WIRE	PLUG MVL P/N (APTIV P/N)
0.35 mm ² INCREASED INSULATION	F096400 (13502517)	F445700 (133516198)		
0.5 - 0.85 mm ²	PP10000590 (13613755)	F156000 (13791832)	1.4 MINI	F180100 (13729227)
1.0 - 1.3 mm ²	PP10000591 (13613762)	F356000 (13877908)	2.8 MAXI	
1.4 - 2.0 mm ²	PP10000453 (13647381)	F456000 (133516200)		

	APTIV P/N	35023446	35023448	35023449	35023454	35023456	35023594	35023596	35023598	33150308
MECHANICAL KEY		BLACK	BLUE	GREY	YELLOW	GREEN	BROWN	WHITE	RED	ORANGE
KEY	FOLLOWING FRONT VIEW									
CPA	APTIV P/N	33150306								
	COLOR	BLUE								
	MATERIAL	PBT GF 15								
GROMMET	MVL P/N (APTIV P/N)	C486300 (133501743)								
	COLOR	GREY								
	MATERIAL	LSR SILICON								
INTERFACE SEAL	MVL P/N (APTIV P/N)	C287300 (133501740)								
	COLOR	BLUE								
	MATERIAL	LSR SILICON								
REAR GRID	MVL P/N (APTIV P/N)	C087300 (133507915)								
	COLOR	BLACK								
	MATERIAL	PBT GF 15								
TPA	MVL P/N (APTIV P/N)	C077300 (133508716)	C177300 (133508717)	C977300 (133508718)	C377300 (133508719)	C477300 (133508715)	C577300 (133508720)	C677300 (133508721)	C777300 (133508722)	C877300 (133508723)
	COLOR	BLACK	BLUE	GREY	YELLOW	GREEN	BROWN	WHITE	RED	ORANGE
	MATERIAL	PBT GF 15								
FEMALE HOUSING	MVL P/N (APTIV P/N)	C967300 (133508822)								
	COLOR	BLACK								
	MATERIAL	PBT GF 15								

NOTE	SPECIFICATIONS
1	FEMALE CONNECTOR ACCORDING TO APTIV PRODUCT SPECIFICATION: FE PS 08 014 (2W)
2	FEMALE CONNECTOR ACCORDING TO: - TEMPERATURE CLASS T3 AND T4 - ENGINE VIBRATOR CLASS V1 AND V2 - SEALING CLASS E2
3	MATING FORCE = 60N MAXI
4	USER'S MANUAL: PU 297
5	DELIVERY CONNECTOR WEIGHT : 6.05g
6	NO WAFER HINGE OR WAFER HINGE BROKEN ALLOWED
7	VISUAL DEFECTS ON NO FUNCTIONAL AREAS ALLOWED

GENERAL TOLERANCES ACCORDING TO:	SEE CHART
GD&T ACCORDING TO:	150 1101



CUSTOMER PART DRAWING	
REV. 001	001
VOLUME 10/1	
ROUTING	

GENERAL TOLERANCES ACCORDING TO:	SEE CHART
GD&T ACCORDING TO:	150 1101

APTIV
CONNECTION SYSTEMS
Chennai, India
COPYRIGHT 2021 APTIV. ALL RIGHTS RESERVED.

THIS DRAWING IS THE PROPERTY OF APTIV AND CONTAINS APTIV CONFIDENTIAL INFORMATION. THE REPRODUCTION, DISTRIBUTION AND UTILIZATION OF THIS DOCUMENT OR ITS RELATED CAD DATA, AS WELL AS COMMUNICATION OF ANY CONTENT TO OTHERS, WITHOUT EXPRESS AUTHORIZATION, IS PROHIBITED.

CE PLAN EST LA PROPRIETE DE APTIV ET CONTIENT DES INFORMATIONS APTIV CONFIDENTIELLES. LA REPRODUCTION, LA DISTRIBUTION ET L'UTILISATION DE CE DOCUMENT OU DE SES DONNEES INFORMATIQUES SONT INTERDITES SANS LA COMMUNICATION DE TOUT CONTENU A AUTRUI SANS AUTORISATION EXPRESSE EST INTERDITE.

DR	P.BALAJI	DATE	18JAZ1
APV01	J.LALU		18JAZ1
APV02	L.LECLERE		18JAZ1
APV03			
APV04			
APV05			

SUBSTANCES OF CONCERN AND RECYCLED CONTENT PER APTIV 10H0001 MATIERES PROHIBITES ET CONTENU RECYCLABLE SELON APTIV 10H0001

MATERIAL
SEE TABLE

DRAWING NAME
2 WAY 1.5 GTS2 FEMALE CONNECTOR
ERGONOMIC CPA

DRAWING NUMBER
33150308

SIZE A0 SCALE 5:1 FRAME NO 1 OF 1 SHEET NO 1 OF 1 REV NUFF R 01