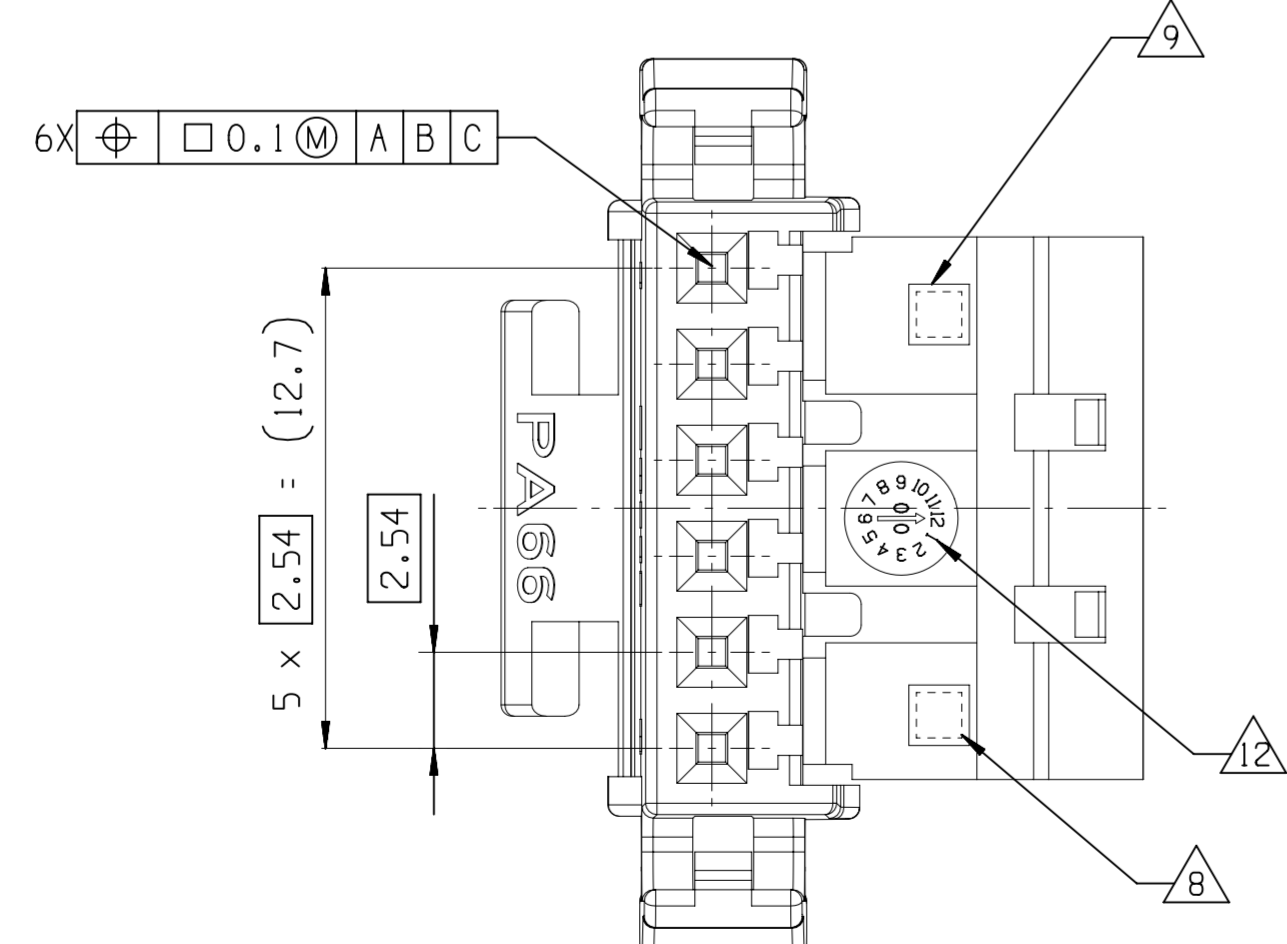
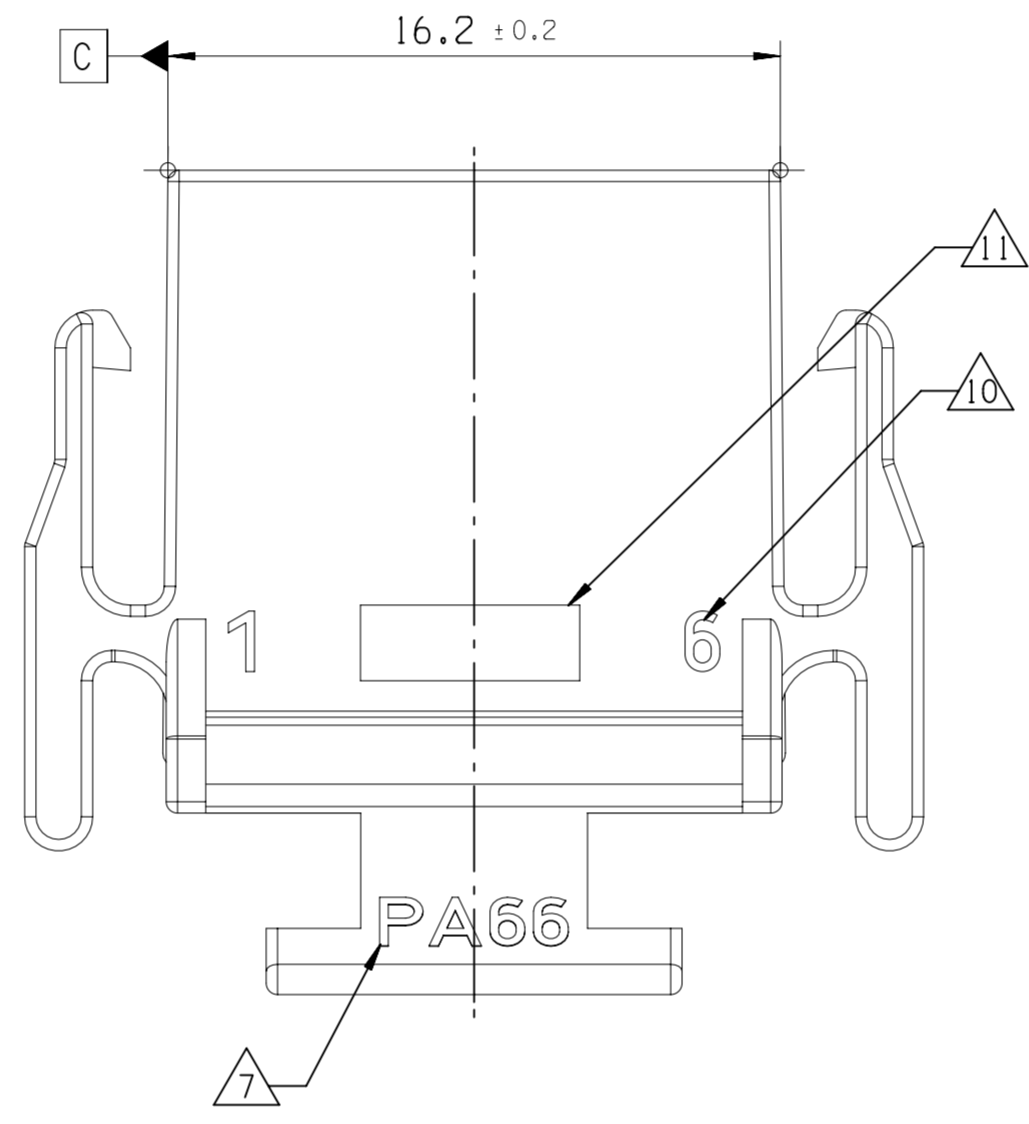
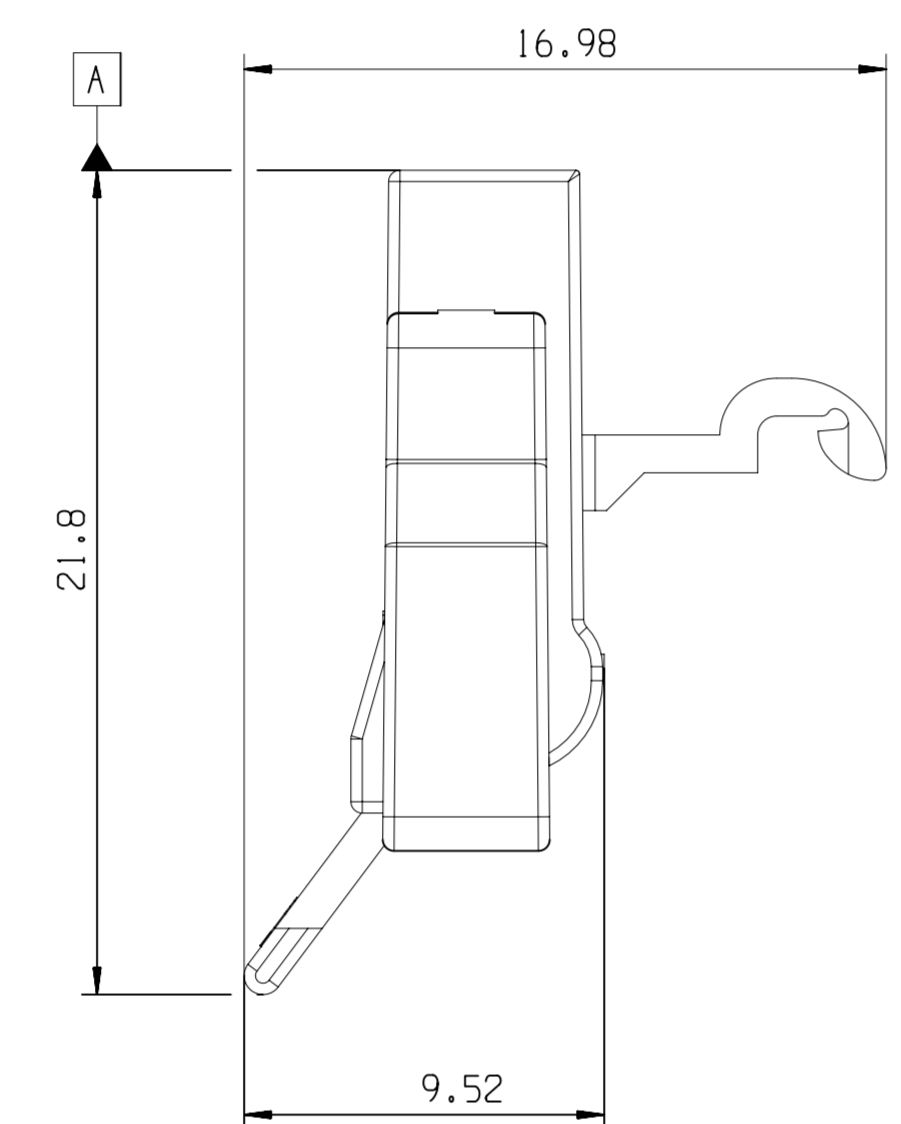
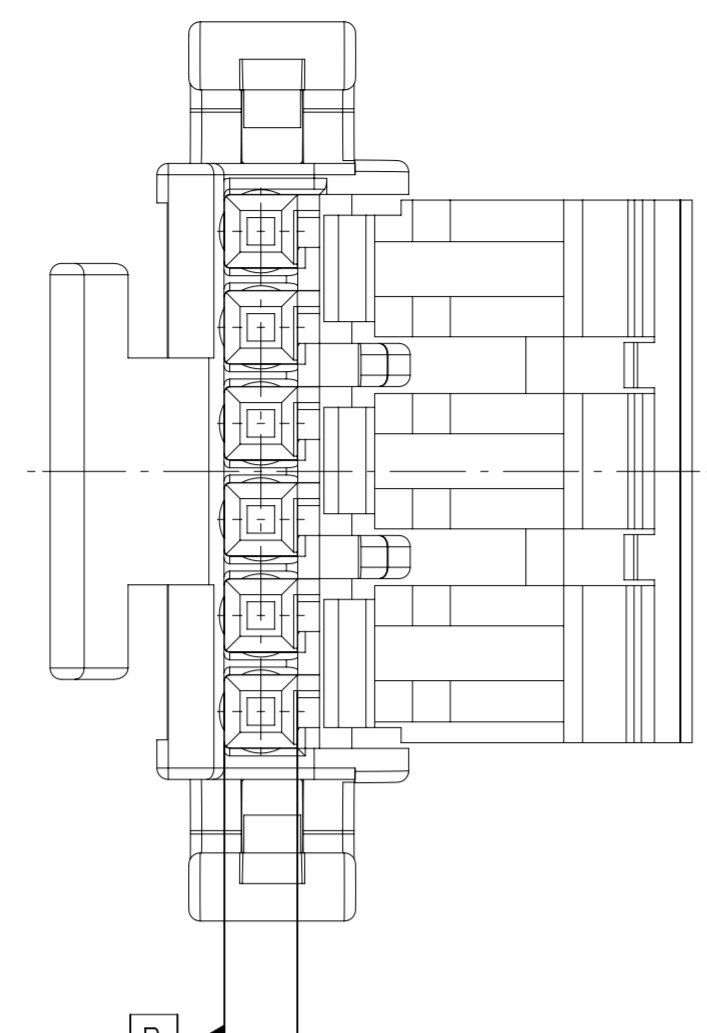
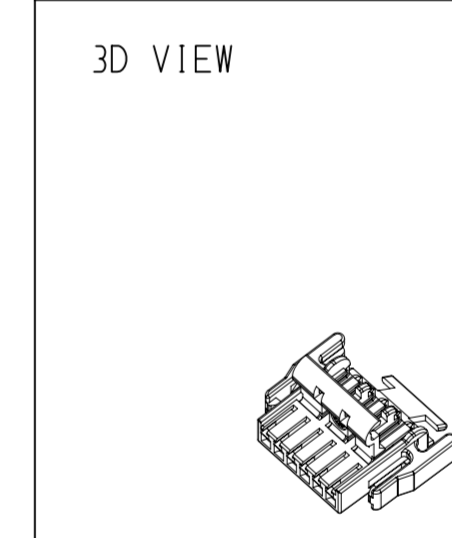


DWG STATUS		ZONE		REVISION HISTORY		AUTH	DR	APVD 1	APVD 2
DATE	STG	REV	N/P	CHG					
280C21	R	01			INITIAL RELEASE		P.BAL	M.LAG	M.LAG



NOTE	SPECIFICATIONS
1	FEMALE CONNECTOR ACCORDING TO APTIV SPECIFICATION: CAGE XXXX/XXX
2	FEMALE CONNECTOR ACCORDING TO: - TEMPERATURE CLASS TX - ENGINE VIBRATOR CLASS VX - SEALING CLASS EX
3	USER'S MANUAL: PUXXX
4	DELIVERY CONNECTOR WEIGHT : 1.1g
5	NO WAFER HINGE OR WAFER HINGE BROKEN ALLOWED
6	VISUAL DEFECTS ON NO FUNCTIONAL AREAS ALLOWED
△	MATERIAL CODE
△	TOOL CAVITY NUMBER
△	INDEX REPLACEMENT INDEX
△	PART CAVITY NUMBER
△	SUPPLIER LOGO
△	DATE CLOCK



SCALE 1:1

DWG TYP	CUSTOMER PART DRAWING	DISTR CODE	D
WEIGHT (GR)	SEE NOTE		
VOLUME (CM³)	---		
ROUTING			

UNLESS OTHERWISE SPECIFIED

GENERAL TOLERANCES ACCORDING TO:  
SEE CHART

GD&T ACCORDING TO:  
ISO 1101

**• APTIV •**

CONNECTION SYSTEMS  
Chennai, India  
COPYRIGHT 2021 APTIV. ALL RIGHTS RESERVED.

THIS DRAWING IS THE PROPERTY OF APTIV AND CONTAINS APTIV CONFIDENTIAL INFORMATION. THE REPRODUCTION, DISTRIBUTION AND UTILIZATION OF THIS DOCUMENT OR ITS RELATED CAD MATH DATA, AS WELL AS COMMUNICATION OF ANY CONTENT TO OTHERS, WITHOUT EXPRESS AUTHORIZATION, IS PROHIBITED.

	DATE
DR P.BALAJI	280C21
APVD1 LAGUETTE MAURICE	280C21
APVD2 LAGUETTE MAURICE	280C21
APVD3	
APVD4	
APVD5	

SUBSTANCES OF CONCERN AND RECYCLED CONTENT PER APTIV 10949001

MATERIAL

SEE CHART

DRAWING NUMBER

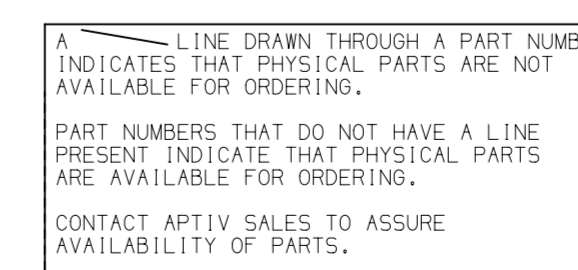
**13726958**

SIZE	SCALE	FRAME NO	SHEET NO	STG	REV	N/P
A1	5:1	1 OF 1	1 OF 1	R	01	

ASSOCIATED PARTS (FOR INFORMATION)			
DESCRIPTION	APTIV P/N	WIRE SECTION	DIAMETER OF WIRE SIZE
MATING PART	XXXXXXXX	-	-
MOS 0.64 FEMALE SEALED TERMINAL	XXXXXXXX	XX - XXmm²	1.1-1.9mm

POS.	DESCRIPTION	APTIV PART NUMBER	MATERIAL	COLOR
1	RECEPTACLE HOUSING 6 WAY	13726957	PA 6.6	BLACK

DIM TO CHECK	DIMENSIONAL RANGE (MM)										CHART	EL
	FROM	> 0	> 20	> 30	> 70	> 100	> 150	> 200	> 250	> 300		
( ) DIM FOR HELP												
□ THEORETIC DIM	±0.15	±0.2	±0.3	±0.4	±0.5	±0.6	±0.8	±1	±1.2			
	TOLERANCE UNLESS OTHERWISE SPECIFIED											
	ANGULAR TOLERANCE ±2°											



REFERENCE

FIRST ANGLE PROJECTION

DO NOT SCALE

USE MATH DATA