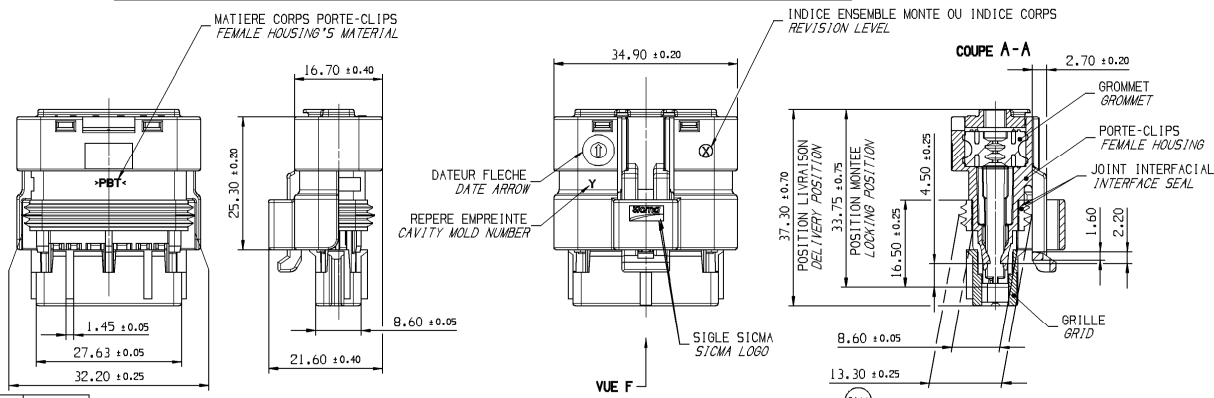
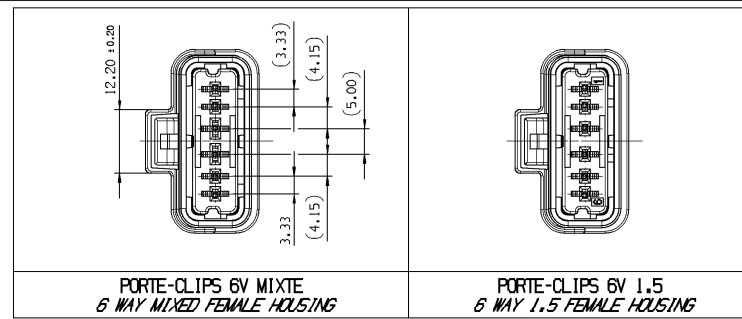
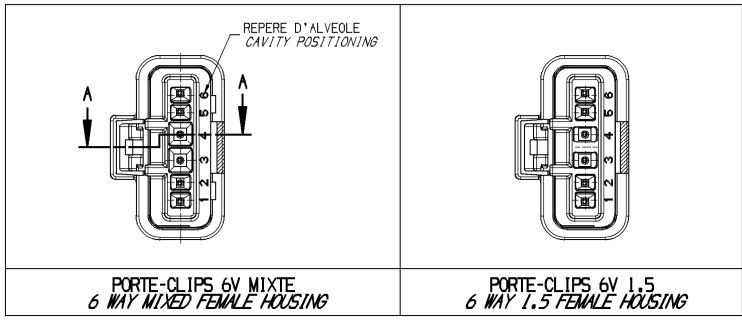


NOTA	SPECIFICATIONS
1	CONNECTEUR DOIT ETRE CONFORME AU CDC: FEMALE CONNECTOR ACCORDING TO PSA SPECIFICATION: 96 236 404 99
2	CONNECTEUR SUIVANT: FEMALE CONNECTOR ACCORDING TO: -CLASSE DE TEMPERATURE T3 SELON B217050 REV A -TEMPERATURE CLASS T3 ACCORDING TO B217050 REV A -CLASSE DE VIBRATION MOTEUR SELON B217050 REV A -ENGINE VIBRATOR CLASS ACCORDING TO B217050 REV A -CLASSE ETANCHEITE 2 SELON B217050 REV A -SEALING CLASS 2 ACCORDING TO B217050 REV A
3	PRECONISATION D'UTILISATION: USER'S MANUAL : PU 071
4	ALVEOLE SUIVANT: CAVITY ACCORDING TO STE: 96 288 230 99
5	CONNECTEUR ET POSITION ALVEOLE CONFORMES AU PLAN D'INTERFACE: FEMALE CONNECTOR AND CAVITY'S POSITION ACCORDING TO: 211FT0289 ET /AND STE 96 339 622 99
6	CONDUCTEUR SUIVANT / WIRE ACCORDING TO: STE : 96 418 794 99
7	CONDITIONNEMENT SUIVANT NORME: PACKAGING ACCORDING TO STANDARD: E73 03 1509
8	DIAMETRE DE FILS / WIRE DIAMETER Ø 1.5 MINI=1.40 MAXI=2.80 Ø 2.8 MINI=1.60 MAXI=3.45
9	MASSE DU PRODUIT LIVRABLE / DELIVERY CONNECTOR WEIGHT: 12g
10	CHARNIERE DE PLAQUETTE ARRIERE ABSENTE OU CASSEE ADMISE NO WAFER HINGE OR WAFER HINGE BROKEN ALLOWED
11	DEFAUTS D'ASPECT SUR ZONES NON FONCTIONNELLES ADMIS VISUAL DEFECTS ON NO FUNCTIONAL AREAS ALLOWED



REF.	ORIGINE	REF.	ORIGINE	MATIERE	COULEUR
DESCRIPTION	LEBACY'S	REFERENCE	REFERENCE	MATERIAL	COLOR
PORTE-CLIPS 6V 1.5 FEMALE HOUSING ON 1.5	PORTE-CLIPS FEMALE HOUSING	211 I 8 077	33501298	PBT 0% FV PBT 0% GF	GRIS GREY
	GRILLE GRID	211 M 1 125	33501311	PBT 15% FV PBT 15% GF	MARRON BROWN
		211 M 4 125	15537747		JAUNE YELLOW
		211 M 5 125	33508061		VERT GREEN
	GROMMET GROMMET	211 M 137	33501312	SILICONE 30SH SILICON 30SH	BLEU BLUE
JOINT INTERFACIAL INTERFACE SEAL	211 M 077	33501306	SILICONE 30SH SILICON 30SH	BLEU BLUE	
PORTE-CLIPS 6V MIXTE FEMALE HOUSING ON MIXED	PORTE-CLIPS FEMALE HOUSING	211 I 0 075	33501295	PBT 0% FV PBT 0% GF	NOIR BLACK
	GRILLE GRID	211 M 0 123	33501301		NOIR BLACK
		211 M 6 123	33508062	PBT 15% FV PBT 15% GF	BLEU BLUE
		211 M 8 123	33501317		GRIS GREY
	GROMMET GROMMET	211 M 110	33501310	SILICONE 30SH SILICON 30SH	VERT GREEN
JOINT INTERFACIAL INTERFACE SEAL	211 M 077	33501306	SILICONE 30SH SILICON 30SH	BLEU BLUE	



PORTE-CLIPS 6V MIXTE 6 WAY MIXED FEMALE HOUSING		
6.65 8.15	12.30 2.50	4.00 10.80
NOIR BLACK	BLEU BLUE	GRIS GREY
211 PC 06 95 0 149	211 PC 06 95 6 149	211 PC 06 9 5 8 149
A	A	A
10866611	10866612	10866614
01	01	01

PORTE-CLIPS 6V 1.5 6 WAY 1.5 FEMALE HOUSING		
2.50 8.15	6.65 4.00	10.80 12.30
MARRON BROWN	JAUNE YELLOW	VERT GREEN
211 PC 06 2 5 1 149	211 PC 06 2 5 4 149	211 PC 06 2 5 5 149
A	A	A
10865112	10866616	10866615
01	01	01

3D VIEW

**ECHELLE 1:1
SCALE 1:1**

**CODAGE NOIR REPRESENTE
BLACK CODING REPRESENTED**

UNLESS OTHERWISE SPECIFIED

GENERAL TOLERANCES
ACCORDING TO:
±0.1 ±0.2

GO&T
ACCORDING TO:

LA LIGNE TRACÉE SUR LA REFERENCE
PIECE INDIQUE QUE LA PIECE NEST PAS
DISPONIBLE A LA COMMANDE.

LES REFERENCES PIECES QUI NE SONT PAS BARRÉES
INDIQUENT QUE CELLES-CI SONT DISPONIBLES
PHYSIQUEMENT POUR ETRE COMMANDEES.

CONTACTER LE SERVICE COMMERCIAL DE DELPHI
POUR SASSURER DE LA DISPONIBILITE DES PIECES

SHARP CORNER TOLERANCE

DO NOT SCALE
DO NOT CHECK
COTES A VERIFIER
DIM FOR HELP
COTES POUR INFO
THEORETIC DIM
COTES THEORIQUES

DWG STATUS	DATE	REV	ZONE	REVISION HISTORY	AUTH	DR	AP/0 1	AP/0 2
3	24JA15	R 01		FILE TRANSLATED FROM IWL SYSTEM			DGL	DGL
2	18JA18	R 01	AA	REPAIR IN IWL DELPHI P/N ADDED DIMENSION WAS 13.80 ± 0.25			A.RAJU.S.TH0	O.GOL

DELPHI
DELPHI PACKARD ELECTRICAL/ELECTRONIC ARCHITECTURE
Chennai, India
COPYRIGHT 2018 DELPHI CORPORATION AND/OR ITS AFFILIATES.
ALL RIGHTS RESERVED.

THIS DRAWING IS THE PROPERTY OF DELPHI CORPORATION
AND CONTAINS DELPHI CONFIDENTIAL INFORMATION.
THE REPRODUCTION, DISTRIBUTION AND UTILIZATION
OF THIS DOCUMENT OR ITS RELATED CAD DATA,
AS WELL AS COMMUNICATION OF ANY CONTENT TO OTHERS,
WITHOUT EXPRESS AUTHORIZATION, IS PROHIBITED.

CE PLAN EST LE PROPRIETE DE DELPHI CORPORATION ET CONTIENT DES
INFORMATION PERME CONFIDENTIELLES. LA REPRODUCTION
ET UTILISATION DE CE DOCUMENT OU DE SES DONNEES INFORMATIQUES CAD,
ANSI QUE LA COMMUNICATION DE TOUT CONTENU A AUTRI, SANS AUTORISATION
EXPRESSE EST INTERDITE.

DR	DE MATOS	DATE
AP/01	S LACOTE	31OC03
AP/02	Pascal MENARD	19MA13
AP/03		
AP/04		
AP/05		

WATERIAL
SEE TABLE

DRAWING NAME
6-WAY HYBRID FEMALE CONNECTOR

MINI SEALED "NM" FEMALE CONNECTOR

DRAWING NUMBER
10858268

SIZE	SCALE	FRAME NO	SHEET NO	STG	REV	N/P
A1	2:1	1 OF 1	1 OF 1	R 01	AA	