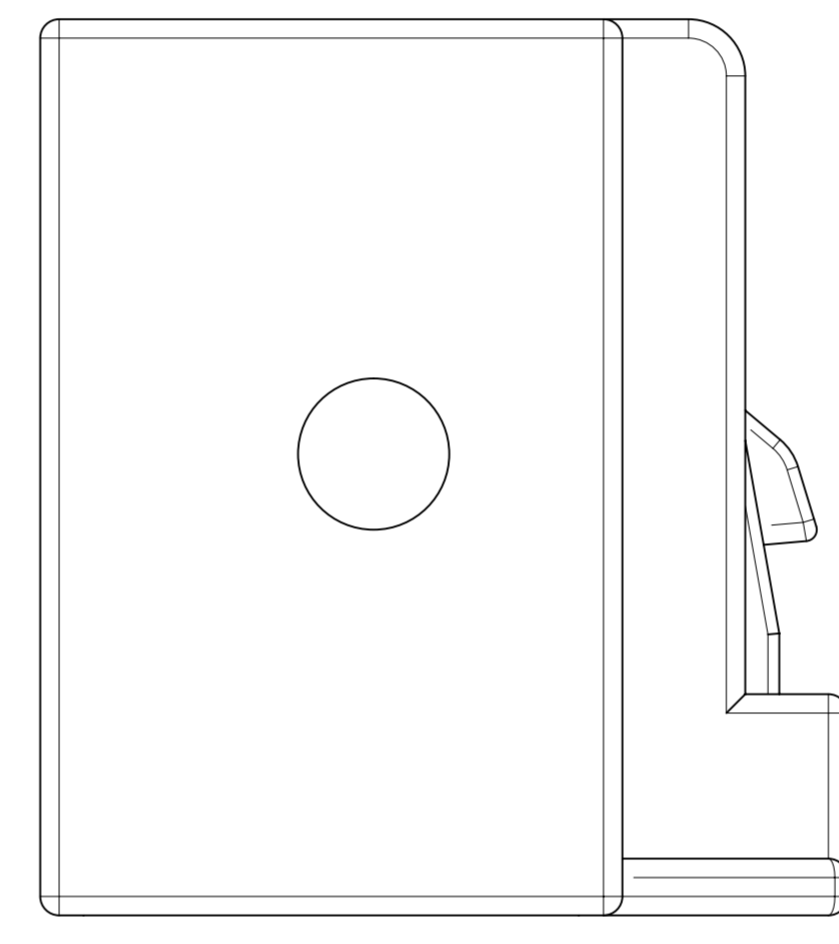
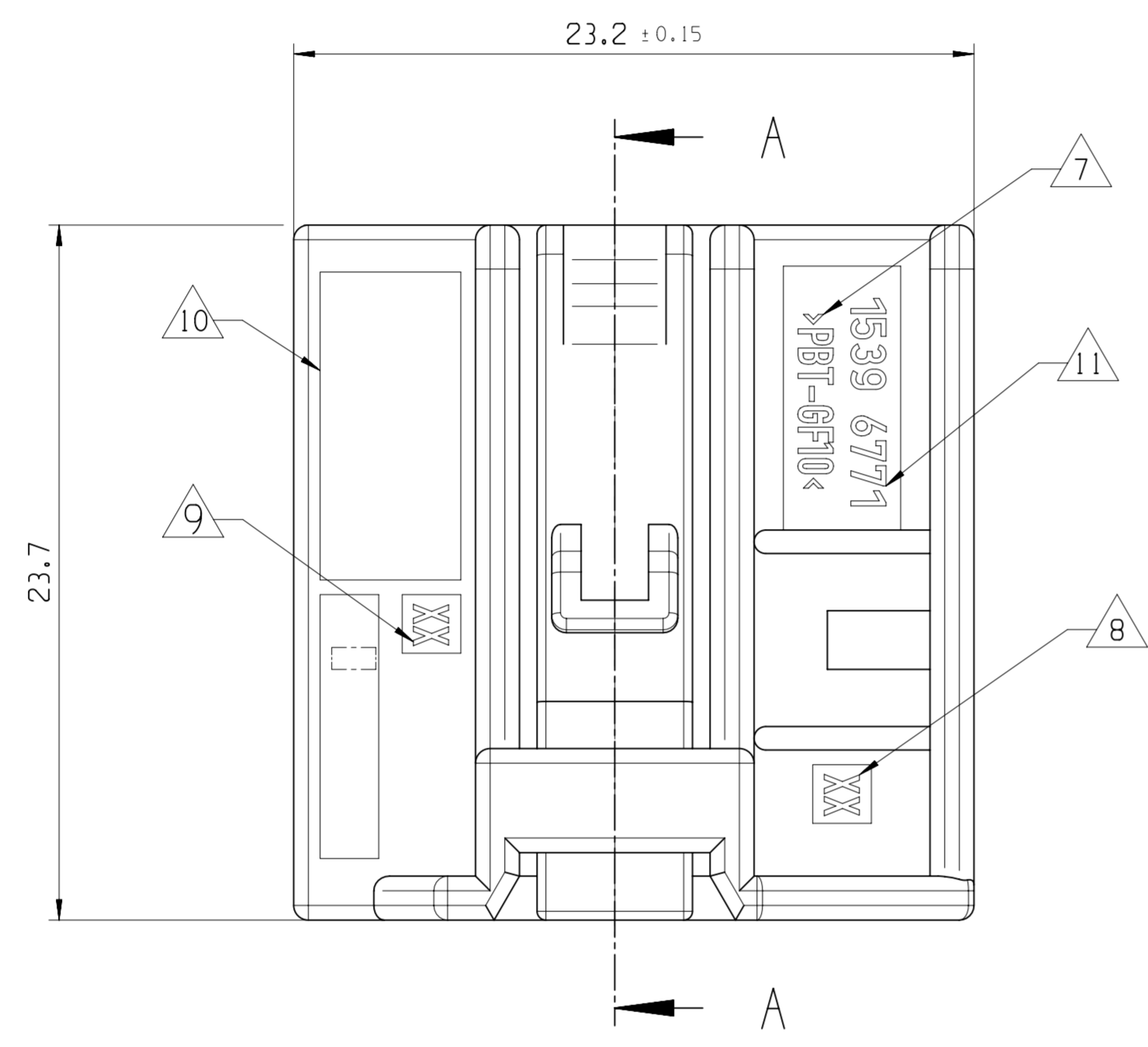
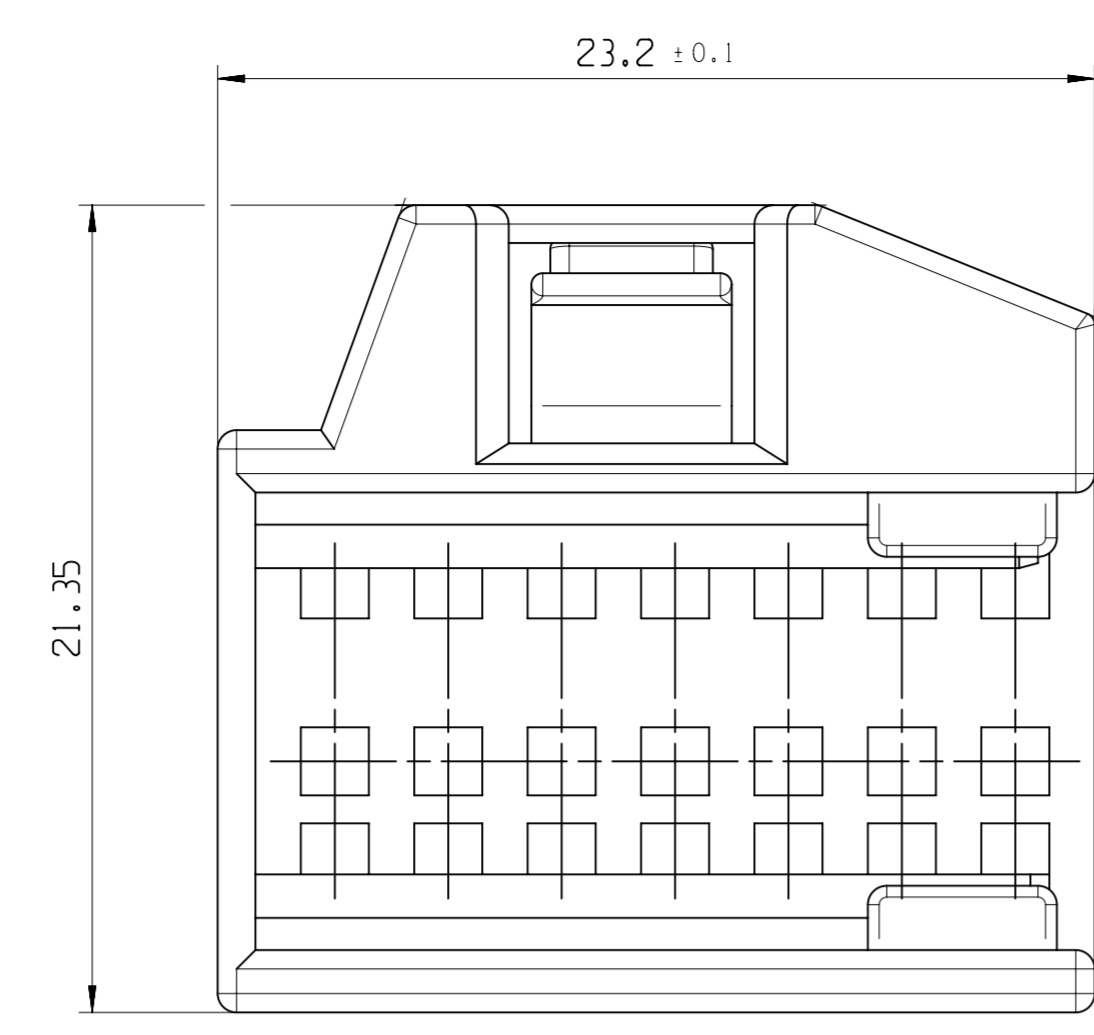
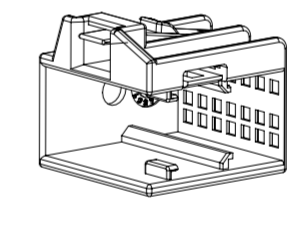


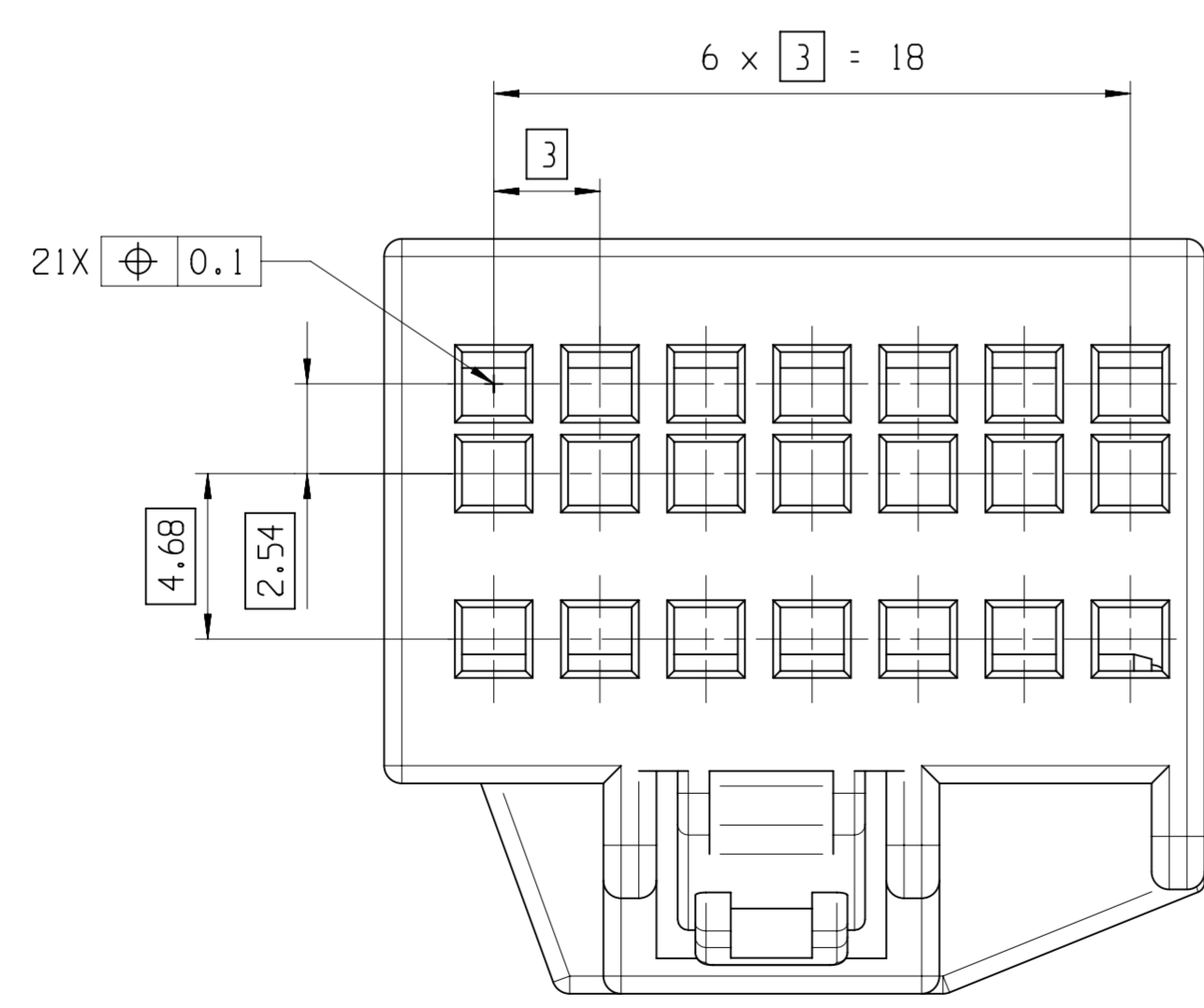
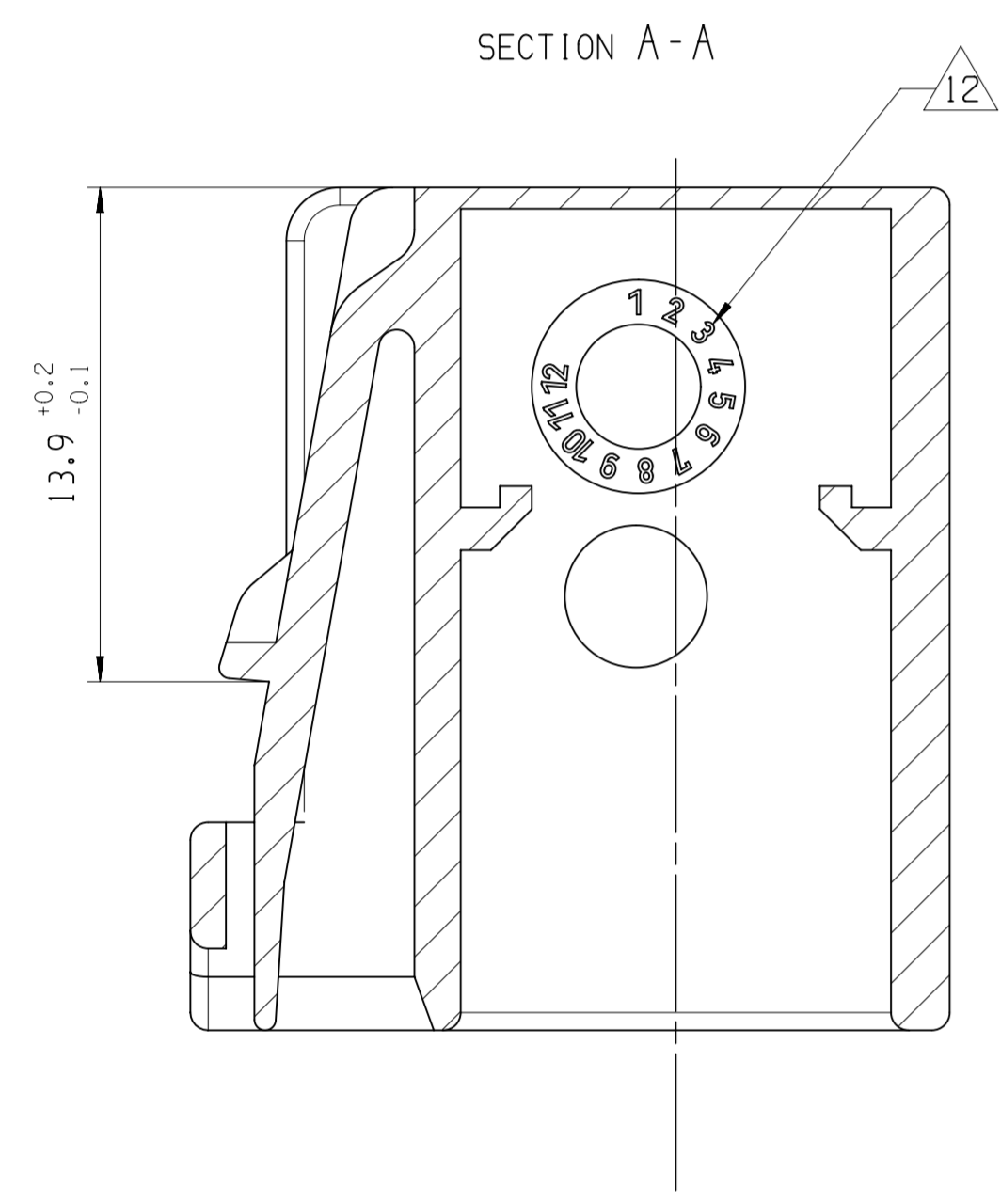
DWG STATUS		ZONE		REVISION HISTORY		AUTH	DR	APVD 1	APVD 2
DATE	STG	REV	N/P/CHG						
12NO21	R	01		INITIAL RELEASE			P.BAL	M.LAG	M.LAG



3D VIEW



SCALE 1:1



NOTE	SPECIFICATIONS
1	MALE CONNECTOR ACCORDING TO APTIV SPECIFICATION: CAQE TBD
2	MALE CONNECTOR ACCORDING TO: - TEMPERATURE CLASS TX - ENGINE VIBRATOR CLASS VX - SEALING CLASS EX
3	USER'S MANUAL: TBD
4	DELIVERY CONNECTOR WEIGHT : 7.1g
5	NO WAFER HINGE OR WAFER HINGE BROKEN ALLOWED
6	VISUAL DEFECTS ON NO FUNCTIONAL AREAS ALLOWED
7	MATERIAL CODE
8	TOOL CAVITY NUMBER
9	PART REVISION NUMBER
10	SUPPLIER LOGO
11	PART NUMBER
12	DATE CLOCK

DWG TYP	CUSTOMER PART DRAWING	DISTR CODE	
WEIGHT (GR)	SEE NOTE		
VOLUME (CM ³)	---		
ROUTING			

UNLESS OTHERWISE SPECIFIED

GENERAL TOLERANCES ACCORDING TO:
SEE CHART

GD&T ACCORDING TO:
ISO 1101

• APTIV •

CONNECTION SYSTEMS
Chennai, India
COPYRIGHT 2021 APTIV. ALL RIGHTS RESERVED.

THIS DRAWING IS THE PROPERTY OF APTIV AND CONTAINS APTIV CONFIDENTIAL INFORMATION. THE REPRODUCTION, DISTRIBUTION AND UTILIZATION OF THIS DOCUMENT OR ITS RELATED CAD MATH DATA, AS WELL AS COMMUNICATION OF ANY CONTENT TO OTHERS, WITHOUT EXPRESS AUTHORIZATION, IS PROHIBITED.

DR	P.BALAJI	DATE	12NO21
APVD1	LAGUETTE MAURICE		12NO21
APVD2	LAGUETTE MAURICE		12NO21
APVD3			
APVD4			
APVD5			

SUBSTANCES OF CONCERN AND RECYCLED CONTENT PER APTIV 10949001

MATERIAL

SEE TABLE

DRAWING NUMBER

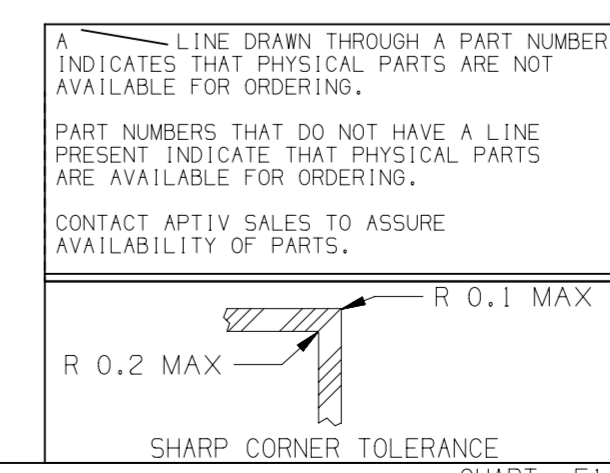
COVER 21 WAY
FOR MQS/MTS 0.64 TERMINAL

SIZE	A1	SCALE	5:1	FRAME NO	1 OF 1	SHEET NO	1 OF 1	STG	R	REV	01	N/P	
------	----	-------	-----	----------	--------	----------	--------	-----	---	-----	----	-----	--

1	COVER 21 WAY	15396771	PBT GF10	BLACK
POS.	DESCRIPTION	APTIV PART NUMBER	MATERIAL	COLOR

ASSOCIATED PARTS (FOR INFORMATION)			
DESCRIPTION	APTIV P/N	WIRE SECTION	DIAMETER OF WIRE SIZE
MATING PART	15396772, 15396773	-	-
MQS 0.64 FEMALE SEALED TERMINAL	15341540	-	-

DIM TO CHECK	DIMENSIONAL RANGE (MM)	CHART	EL
() DIM FOR HELP	FROM TO	> 0 > 20 > 30 > 70 > 100 > 150 > 200 > 250 > 300 > 400	
THEORETIC DIM		±0.15 ±0.2 ±0.3 ±0.4 ±0.5 ±0.6 ±0.8 ±1 ±1.2	
		ANGULAR TOLERANCE ±2°	



FIRST ANGLE PROJECTION

DO NOT SCALE

USE MATH DATA