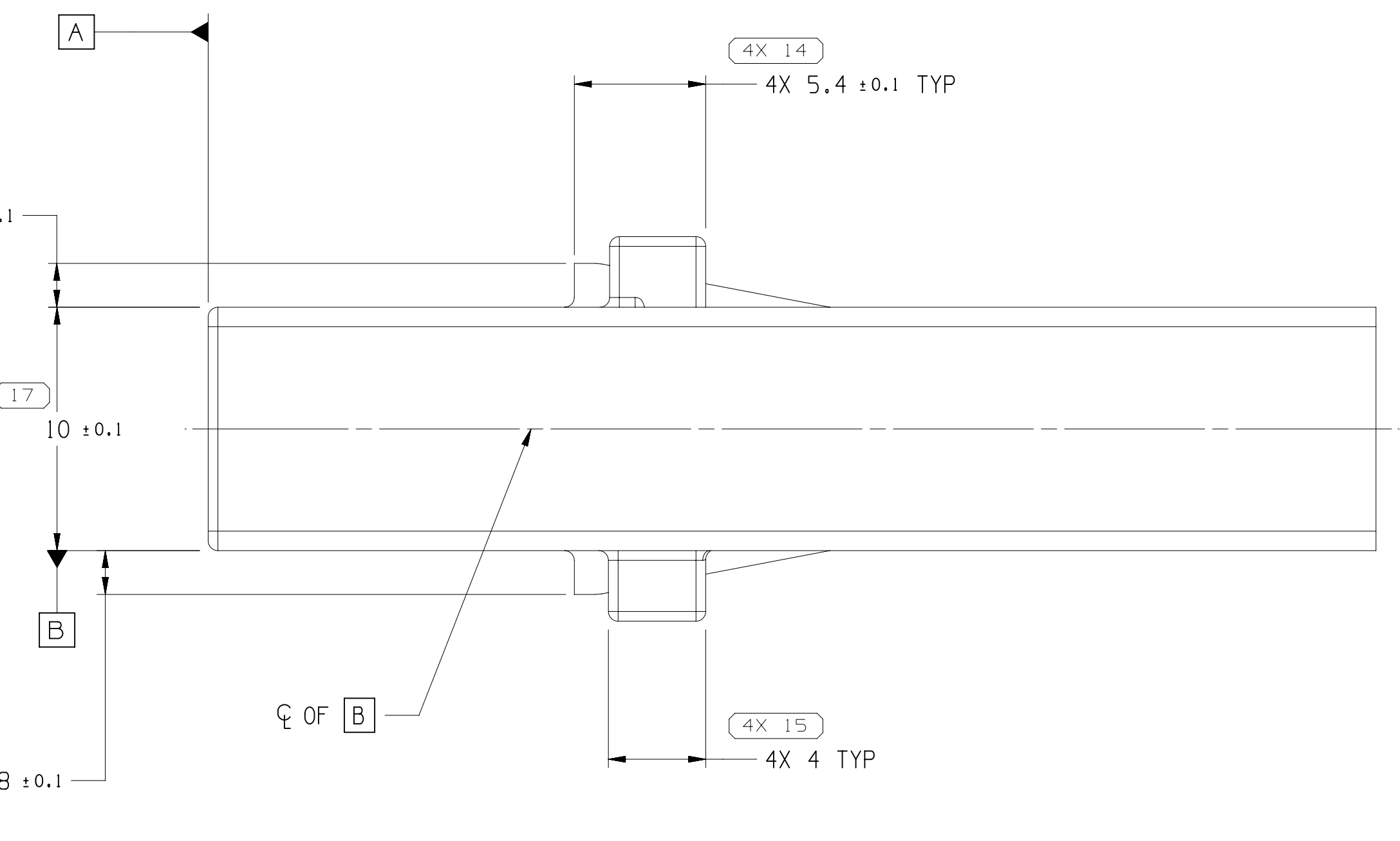
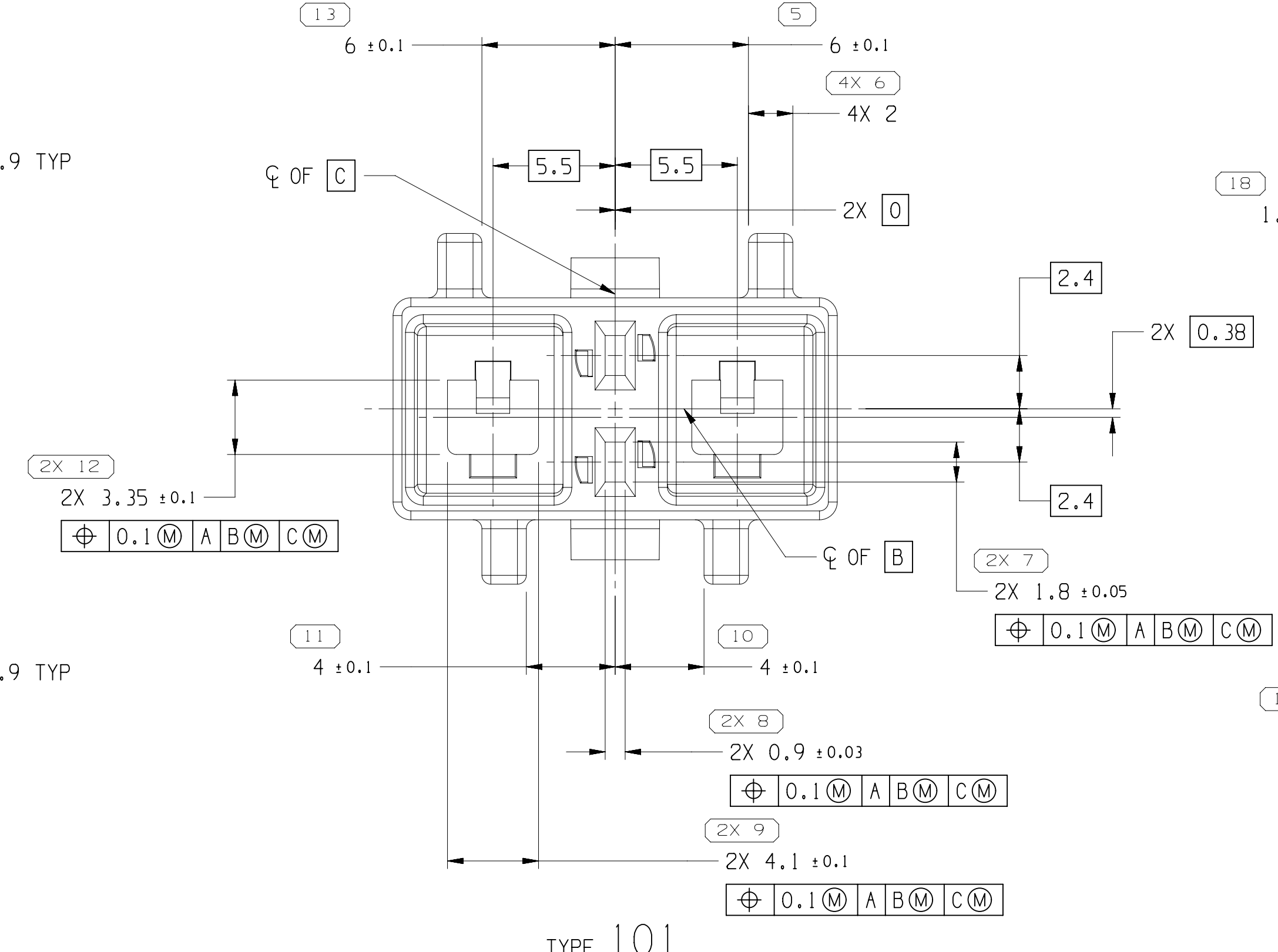
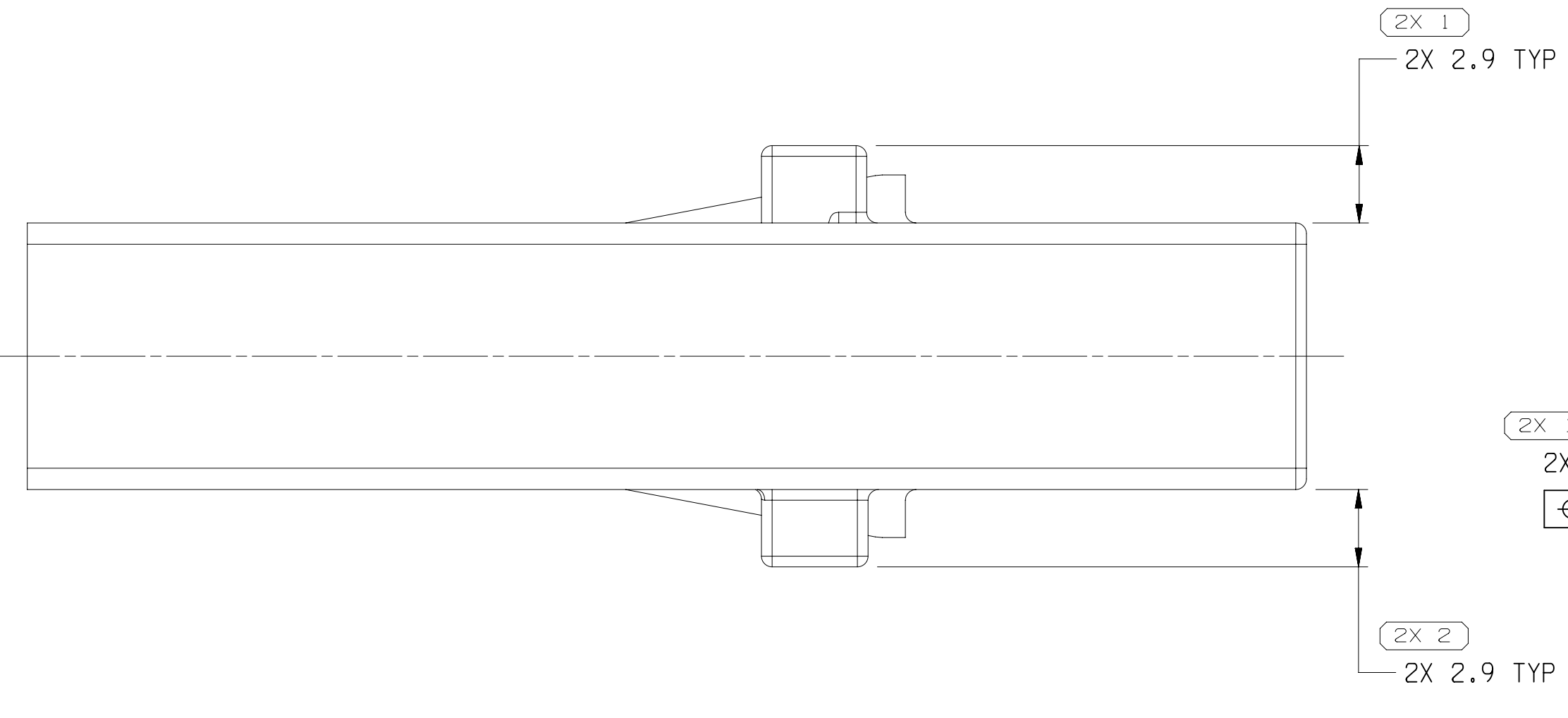
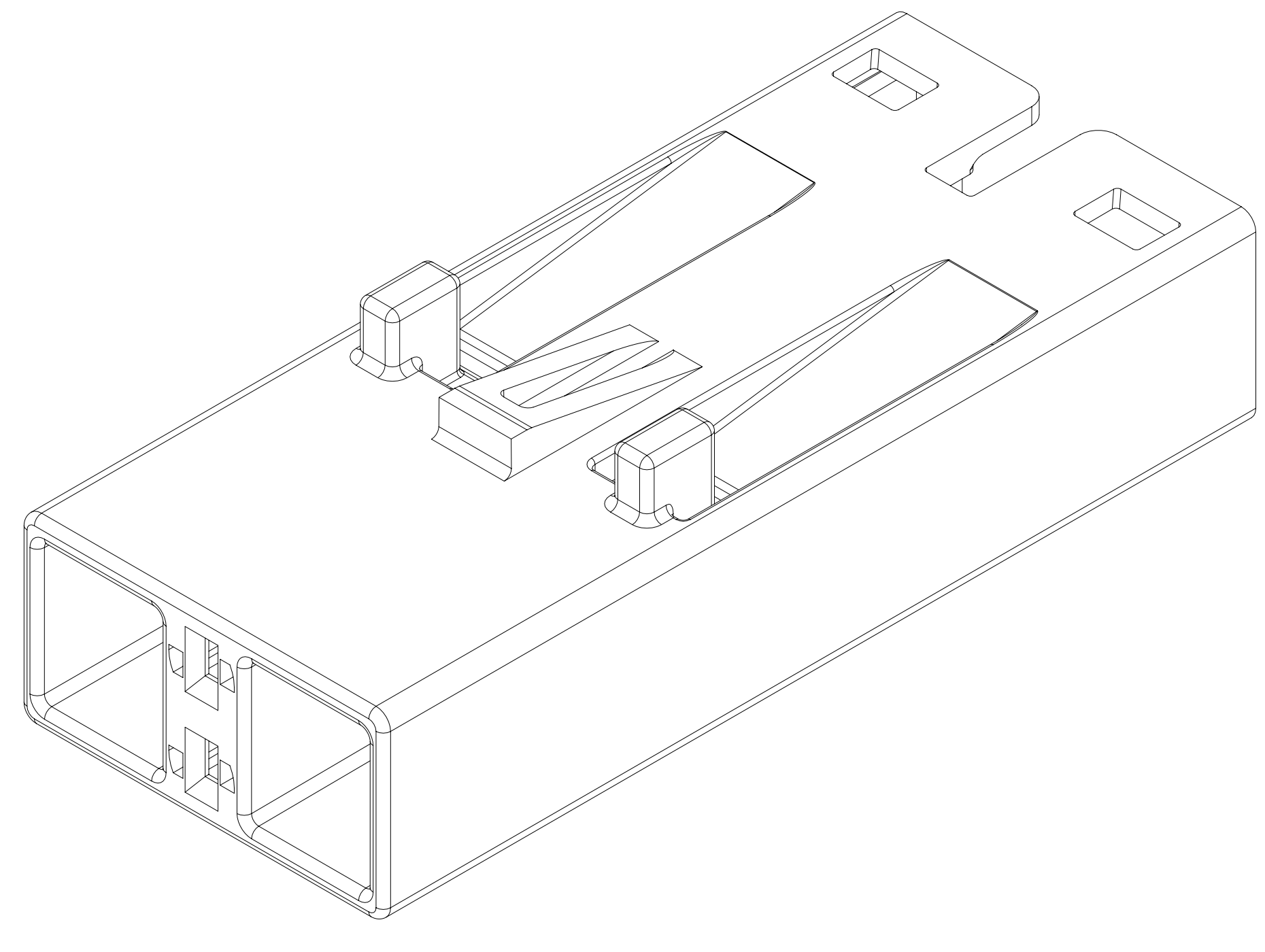
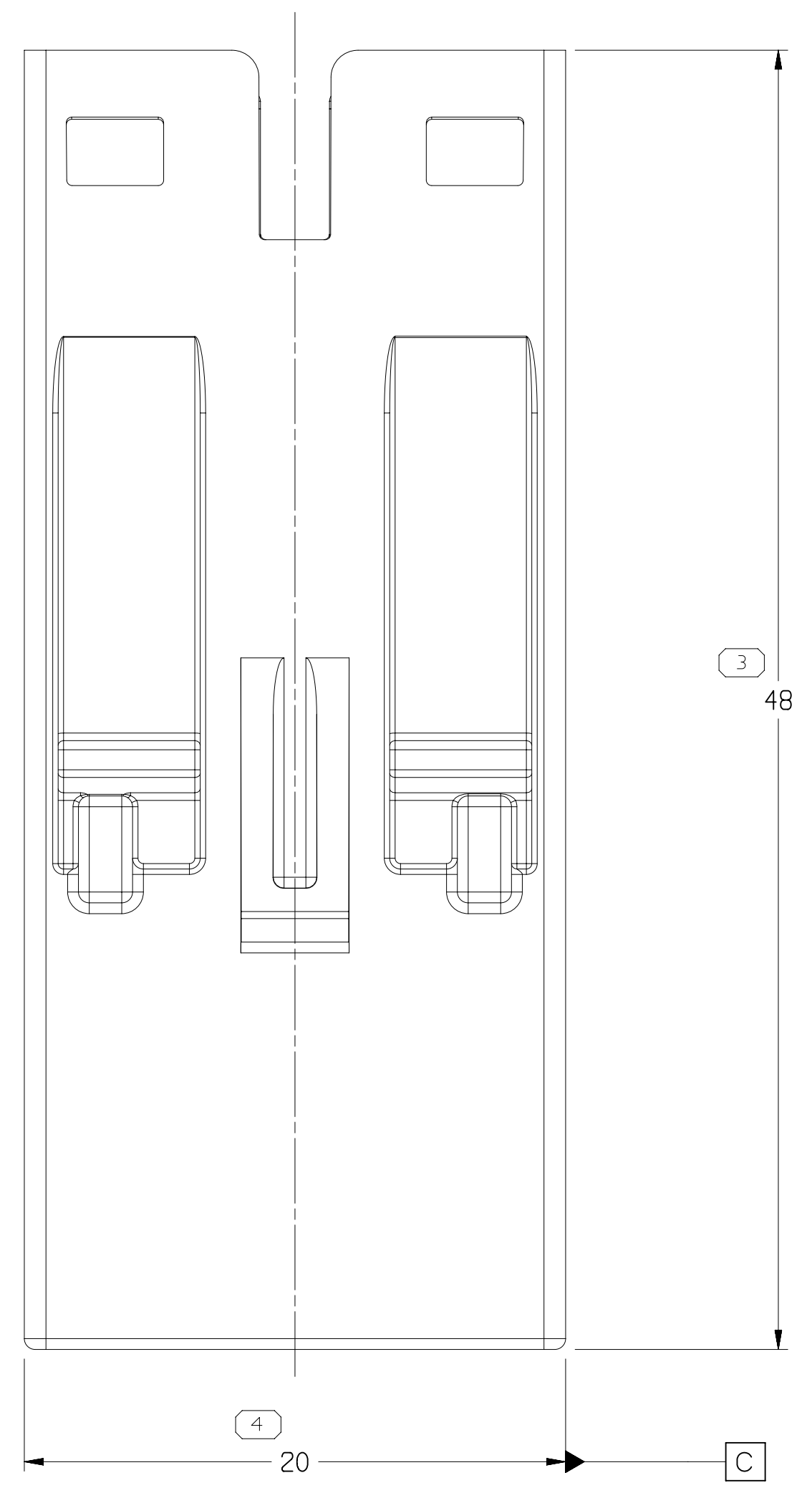
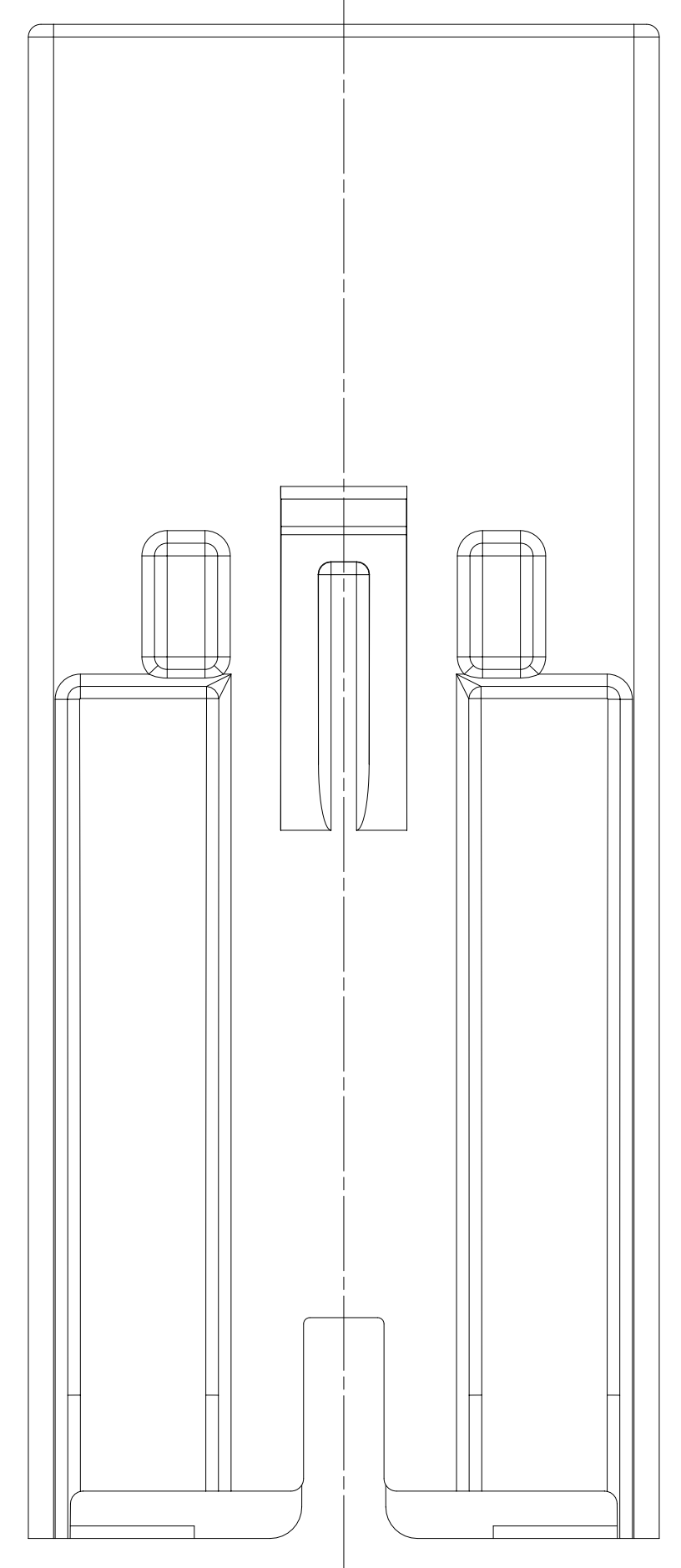


SYMBOL DEFINITION				TOTAL NO OF INSPECTIONS REQUIRED	MISSING SYMBOLS
A DIMENSION WITHOUT AN INSPECTION REPORT SYMBOL DOES NOT REQUIRE INSPECTION. IT MAY BE CONTROLLED ON THE INDIVIDUAL COMPONENT DRAWING.				33	NO MISSING SYMBOL NUMBER
				LAST NO. USED	18

DWG STATUS				ZONE	REVISION HISTORY		AUTH	DR	APVD	APVD
DATE	STG	REV	N/P	CHG						
17FE21	R	01	-	-	15526392 - WAS SEPARATE DWG;		553520	GDH	EW	TAV
23AU21	R	02	-	-	35535563 - RELEASED					
					35535563 - UPDATED PART AVAILABILITY (PN WAS NOT AVAILABLE)		555121	JAA	JAA	TAV



TYPE 101



- NOTES
- UNLESS OTHERWISE SPECIFIED AND/OR INDICATED:
DIMENSIONS ARE TO FACE OF VIEW SHOWN AND AUTOMATICALLY ROUNDED BY COMPUTER FOR INSPECTION (SEE MATH MODEL FOR PRECISE DIMENSIONS). FOR ALL OTHER DIMENSIONS NOT SHOWN BUT REQUIRED FOR TOOL BUILD, SEE MATH MODEL FOR PRECISE TOOL PATH DATA.
 - THIS PRODUCT IS NOT CATEGORIZED AS AN APPEARANCE ITEM. MINOR IMPERFECTIONS INCLUDING, BUT NOT LIMITED TO, FLOW MARKS, COLOR BLEMISHES, GATE VESTIGE, AND SOFT FLASH THAT DO NOT AFFECT THE FIT, FORM, OR FUNCTION OF THE PART ARE PERMISSIBLE PER EANP-4-3-CS-01-EN.
 - CORPORATE BRAND TO BE APPLIED TO PRODUCT DESIGN PER THE LATEST REVISION OF ESD S1085201.
 - FOR APPLICATION DATA SEE THE APPLICATION DRAWING.

PART NO	REV	N/P	MATERIAL SPECIFICATION AND COLOR	TYPE	VOLUME
35535563	01	AA	POLYESTER COMPOUND NATURAL	101	4,426
15526392	01	AB	POLYESTER COMPOUND ORANGE	101	4,426

DIMENSIONAL RANGE (MM)	CHART	ET
FROM 0 TO >20	>30	>70
>20 TO >30	>70	>100
>30 TO >40	>100	>150
>40 TO >50	>150	>200
>50 TO >60	>200	>250
>60 TO >70	>250	>300
>70 TO >80	>300	>400
TOLERANCE (UNLESS OTHERWISE SPECIFIED)		
±0.15	±0.2	±0.3
±0.4	±0.5	±0.6
±0.8	±1	±1.2
ANGULAR TOLERANCE 12°		

STYLE	PART DRAWING
VOLUME (CM)	DISTR CODE
SEE CHART	D
UNLESS OTHERWISE SPECIFIED	
THIS DOCUMENT IS IN ACCORDANCE WITH ASME Y14.5M-1994 AS MODIFIED BY THE 2018 GLOBAL DIMENSIONING AND TOLERANCING ADDENDUM-2009. SEPARATE PATTERNING OF FEATURES MAY BE AWARDED SEPARATELY REGARDLESS OF DATUM REFERENCES.	
ALL DIMENSIONS ARE IN MILLIMETERS	
REFERENCE	1 3824827
THIRD ANGLE PROJECTION	DO NOT SCALE USE MATH DATA

APTIV
CONNECTION SYSTEMS
WARREN, OH
COPYRIGHT 2021 APTIV. ALL RIGHTS RESERVED.

THIS DRAWING IS THE PROPERTY OF APTIV AND CONTAINS APTIV CONFIDENTIAL INFORMATION. THE REPRODUCTION, DISTRIBUTION AND UTILIZATION OF THIS DOCUMENT OR ITS RELATED CAD DATA, AS WELL AS COMMUNICATION OF ANY CONTENT TO OTHERS, WITHOUT EXPRESS AUTHORIZATION, IS PROHIBITED.

DR	DATE
APVD1 GERARDO DAVILA	19FE21
APVD2 ELIAS VAZQUEZ V.	19FE21
APVD3 TOM VOLPONE	19FE21
APVD4	
APVDS	

SUBSTANCES OF CONCERN AND RECYCLED CONTENT PER APTIV 10949001

MATERIAL: SEE CHART

DRAWING NAME: TAXI CONN 4 M+F CTS 150
M/P 280 H/VOLTAGE

DRAWING NUMBER: 35536347

SIZE: A0
SCALE: 5:1
FRAME NO: 1 OF 1
SHEET NO: 1 OF 1
STG: R
REV: 02