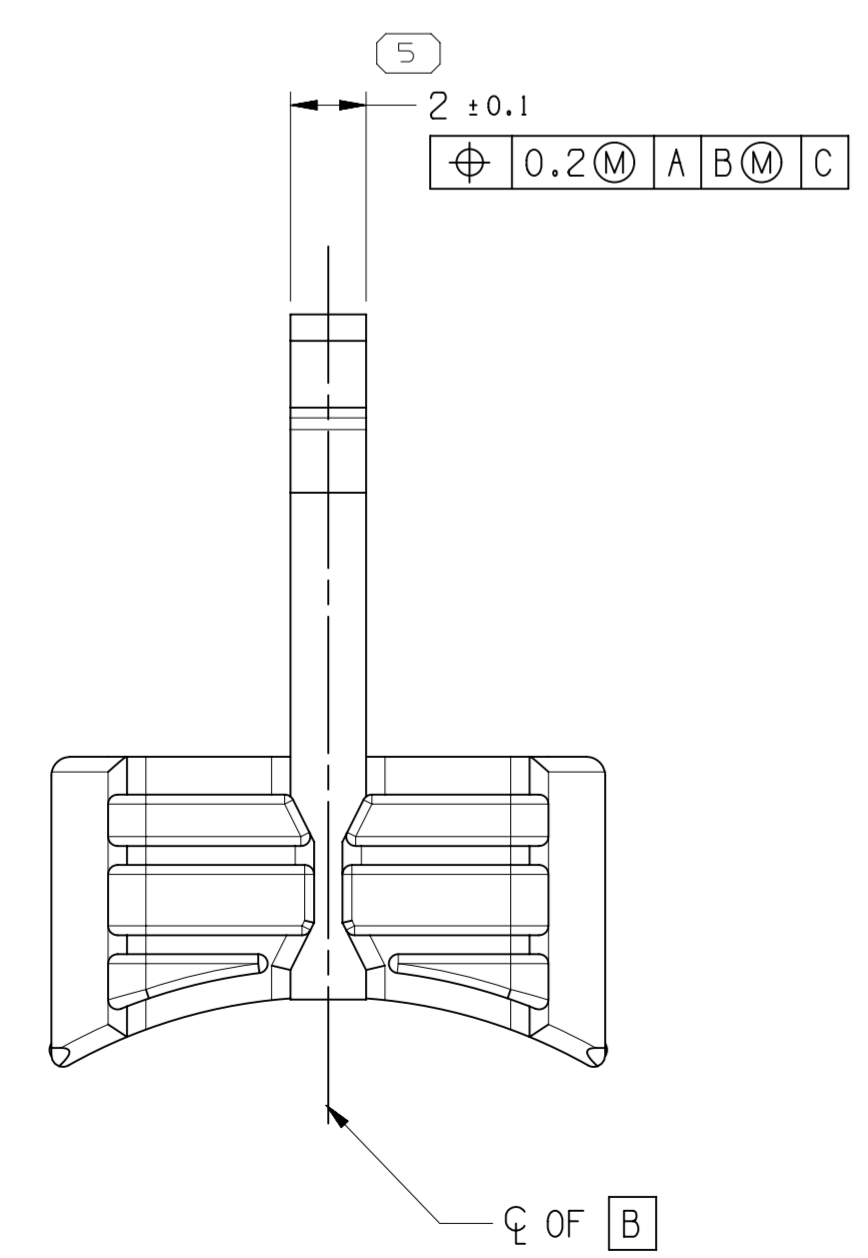
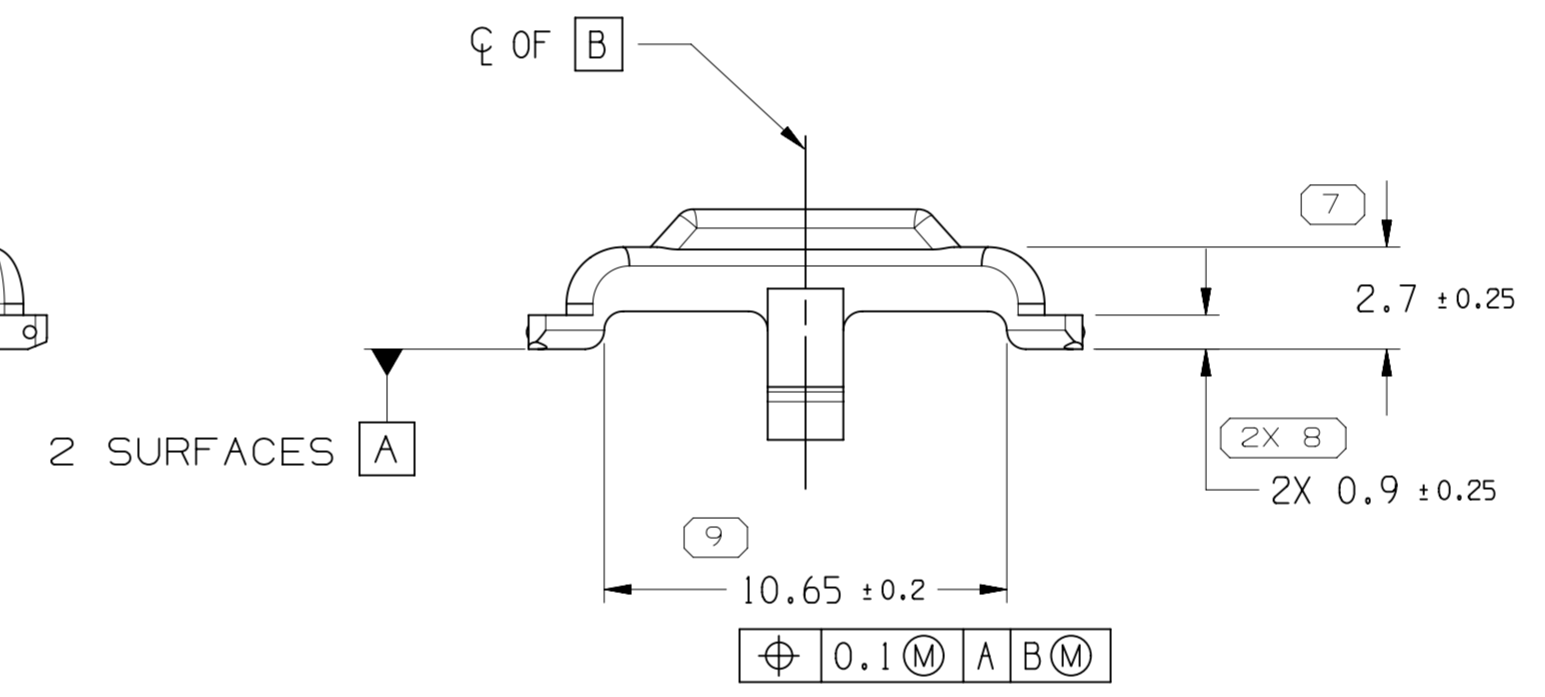
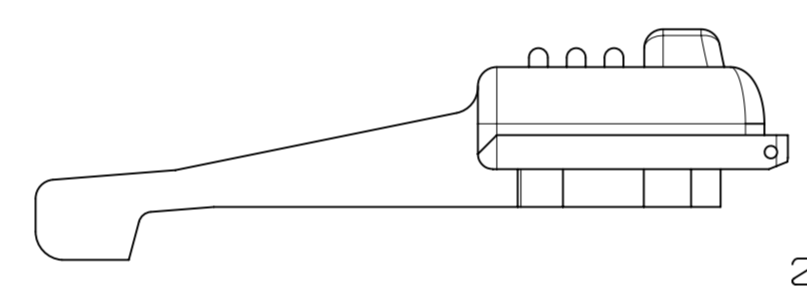
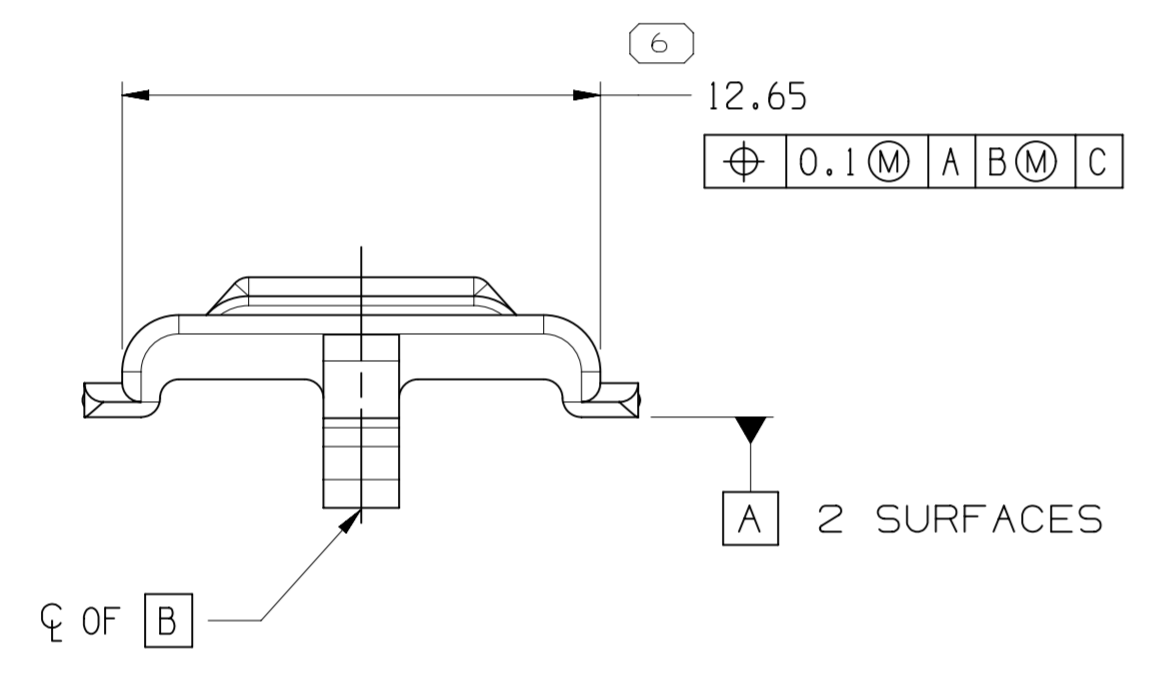
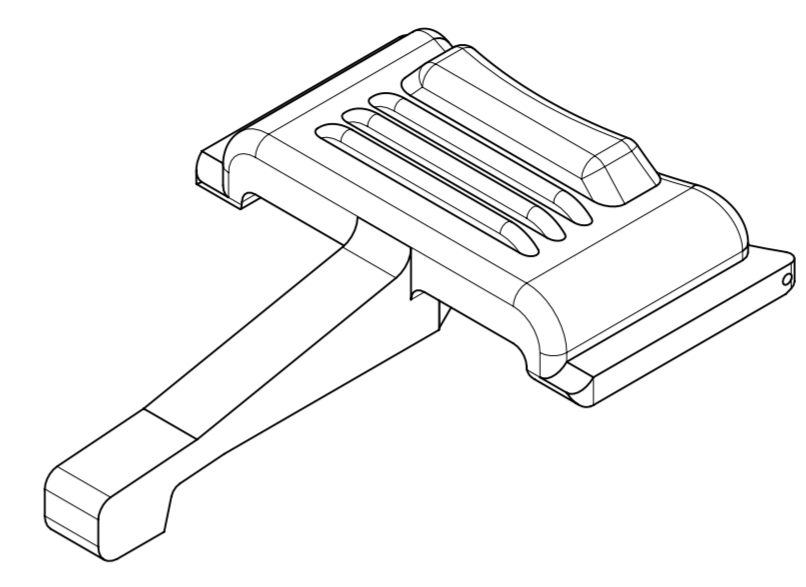
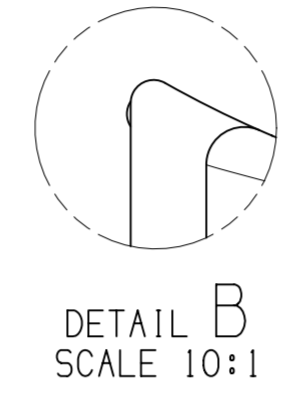
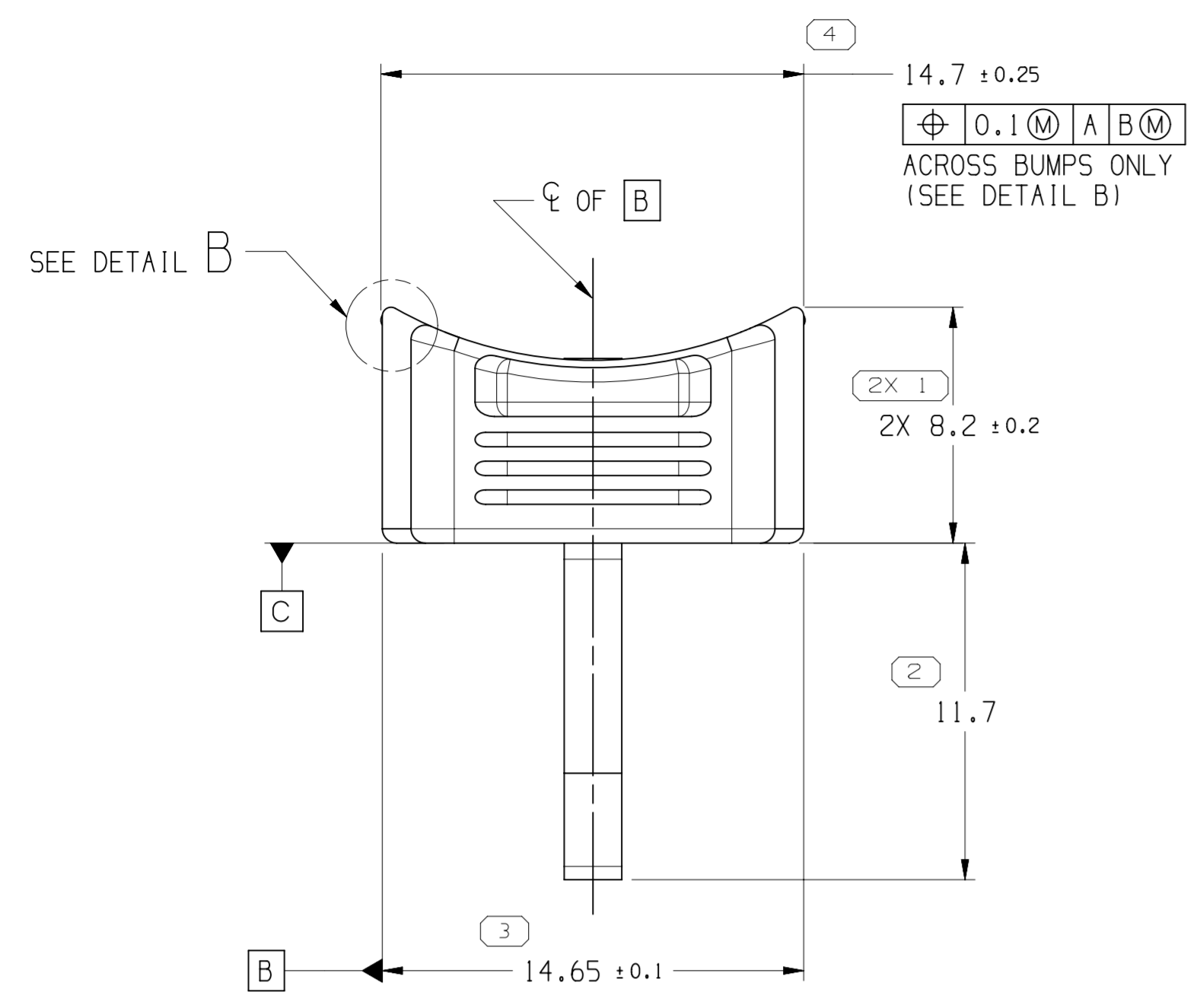


SYMBOL DEFINITION	
A DIMENSION WITHOUT AN INSPECTION REPORT SYMBOL DOES NOT REQUIRE INSPECTION. IT MAY BE CONTROLLED ON THE INDIVIDUAL COMPONENT DRAWING.	TOTAL NO OF INSPECTIONS REQUIRED
	11
	LAST NO. USED
	9

MISSING SYMBOLS		DWG STATUS					REVISION HISTORY		AUTH	DR	APVD1	APVD2
NO MISSING SYMBOL NUMBER	DATE	STG	REV	N/P	CHG	ZONE						
	24JA23	R	01	AC	-		REDRAWN TO PART DRAWING		559262	ESG	JAA	JVP



NOTES

- UNLESS OTHERWISE SPECIFIED AND/OR INDICATED:
DIMENSIONS ARE TO FACE OF VIEW SHOWN AND AUTOMATICALLY ROUNDED BY COMPUTER FOR INSPECTION (SEE MATH MODEL FOR PRECISE DIMENSIONS). FOR ALL OTHER DIMENSIONS NOT SHOWN BUT REQUIRED FOR TOOL BUILD, SEE MATH MODEL FOR PRECISE TOOL PATH DATA.
- THIS PRODUCT IS NOT CATEGORIZED AS AN APPEARANCE ITEM, MINOR IMPERFECTIONS INCLUDING, BUT NOT LIMITED TO, FLOW MARKS, COLOR BLEMISHES, GATE VESTIGE, AND SOFT FLASH THAT DO NOT AFFECT THE FIT, FORM, OR FUNCTION OF THE PART ARE PERMISSIBLE PER EANP-4-3-CS-01-EN.
- CORPORATE BRAND TO BE APPLIED TO PRODUCT DESIGN PER THE LATEST REVISION OF ESD 51085201.

A LINE DRAWN THROUGH A PART NUMBER INDICATES THAT PHYSICAL PARTS ARE NOT AVAILABLE FOR ORDERING.	
PART NUMBERS THAT DO NOT HAVE A LINE PRESENT INDICATE THAT PHYSICAL PARTS ARE AVAILABLE FOR ORDERING.	
CONTACT APTIV SALES TO ASSURE AVAILABILITY OF PARTS.	
DWG TYPE: PART DRAWING	
STYLE:	
VOLUME (CM ³): 0.193	DISTR CODE: D
UNLESS OTHERWISE SPECIFIED THIS DOCUMENT IS IN ACCORDANCE WITH ASME Y14.5-2009. SEE APTIV ENGINEERING DESIGN STANDARD B6 2017 FOR ISO 1101:2004 RECONCILIATION REQUIREMENTS.	
ALL DIMENSIONS ARE IN MILLIMETERS	
REFERENCE: MVL - 54241679/H	
THIRD ANGLE PROJECTION	DO NOT SCALE
	USE MATH DATA

• APTIV •
CONNECTION SYSTEMS
WARREN, OH
COPYRIGHT 2023 APTIV. ALL RIGHTS RESERVED.

THIS DRAWING IS THE PROPERTY OF APTIV AND CONTAINS APTIV CONFIDENTIAL INFORMATION. THE REPRODUCTION, DISTRIBUTION AND UTILIZATION OF THIS DOCUMENT OR ITS RELATED CAD MATH DATA, AS WELL AS COMMUNICATION OF ANY CONTENT TO OTHERS, WITHOUT EXPRESS AUTHORIZATION, IS PROHIBITED.

DR	DATE
APVD1: ESTEFANY GONZALEZ	24JA23
APVD2: J. S. ALVARADO	24JA23
APVD3: JUAN VEGA PALOMO	26JA23
APVD4:	
APVD5:	

SUBSTANCES OF CONCERN AND RECYCLED CONTENT 10949001 10949001

MATERIAL: POLYAMIDE COMPOUND RED

DRAWING NAME: LOCK CPA

DRAWING NUMBER: 33511970

SIZE: A1	SCALE: 5:1	FRAME NO: 1 OF 1	SHEET NO: 1 OF 1	STG: R	REV: 01	N/P: AC
----------	------------	------------------	------------------	--------	---------	---------

DIMENSIONAL RANGE (MM)		CHART E1	
FROM	TO	> 30	> 300
> 0	> 20	> 70	> 150
20	30	100	200
30	70	150	250
70	100	200	300
100	150	250	400
150	200	300	
200	250		
250	300		
300	400		

TOLERANCE UNLESS OTHERWISE SPECIFIED

±0.15	±0.2	±0.3	±0.4	±0.5	±0.6	±0.8	±1	±1.2
-------	------	------	------	------	------	------	----	------

ANGULAR TOLERANCE ±2°