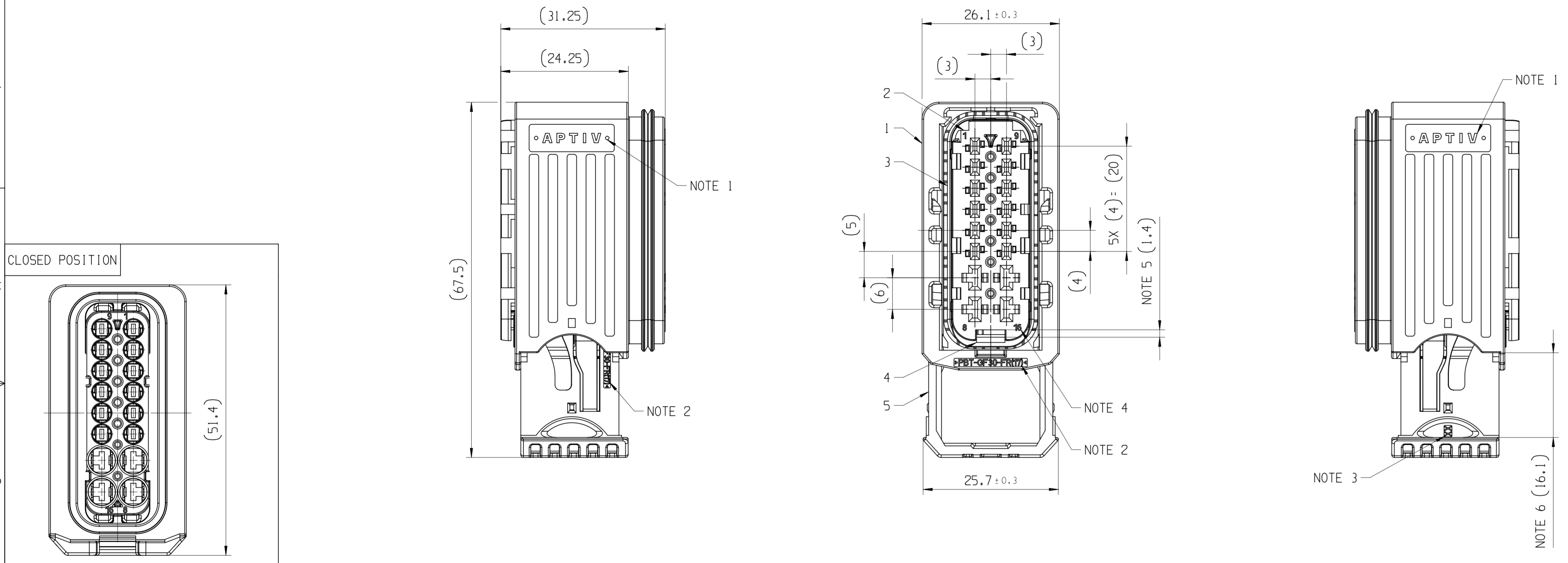


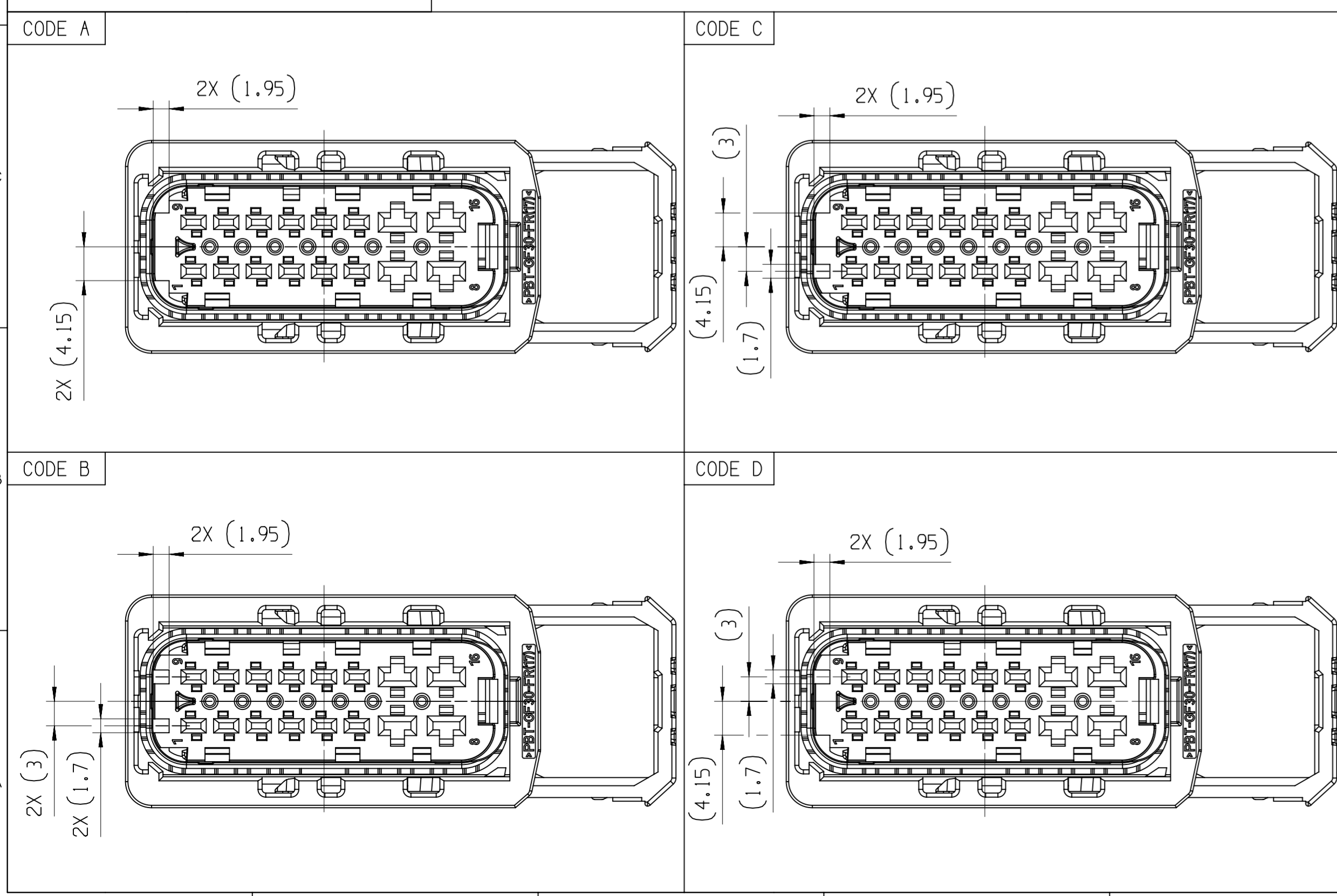
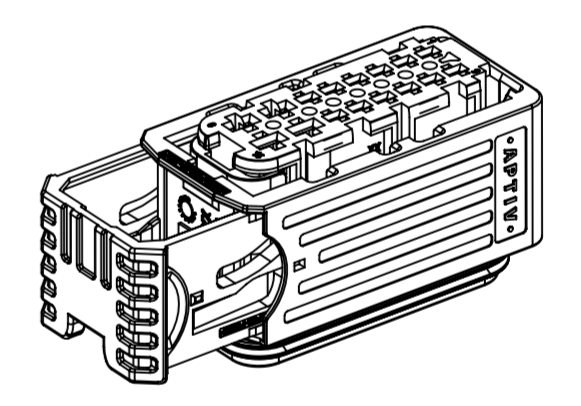
ASSEMBLY-NO.:	PART-REV	CODING	MATERIAL/WEIGHT
33285172	01	CODE A	ALL PARTS VO / 33,3
33342239	01	CODE B	
33342249	01	CODE C	
33342262	01	CODE D	
33347875	01	CODE A	ALL PARTS NVO / 32,3
33349150	01	CODE B	
33349606	01	CODE C	
33349607	01	CODE D	

POSITION	1				2				3		4		5			
NAME	HOUSING				INSERT				HOUSING SEAL		SECONDARY LOCK		SLIDER			
MATERIAL	PBT GF 30 FR17	PBT GF 30	PBT GF 30 FR17		PBT GF 30		LSR 50 SHORE		PBT GF 30 FR17	PBT GF 30	PBT GF 30 FR17	PBT GF 30				
COLOR:	BLACK	BLACK	BLACK	GRAY	GREEN	BLUE	BLACK	GRAY	GREEN	BLUE	REDDISH-BROWN	ORANGE	YELLOW	ORANGE	YELLOW	
PART-NO.:	33283299	33347534	33283301	33295627	33295530	33295527	33347475	33348056	33348110	33348114	33285522	33283298	33347488	33283297	33347474	
-	---	---	---	---	---	---	---	---	---	---	---	---	---	---	---	---
-	1	---	1	---	---	---	---	---	---	---	1	1	---	1	---	---
-	1	---	---	1	---	---	---	---	---	---	1	1	---	1	---	---
-	1	---	---	---	1	---	---	---	---	---	1	1	---	1	---	---
-	1	---	---	---	---	1	---	---	---	---	1	1	---	1	---	---
-	---	1	---	---	---	---	---	---	1	---	1	---	1	---	---	---
-	---	1	---	---	---	---	---	---	---	1	1	---	1	---	---	---
-	---	1	---	---	---	---	---	---	---	1	1	---	1	---	---	---

DWG STATUS				ZONE	REVISION HISTORY		AUTH	DR	APVD 1	APVD 2
DATE	STG	REV	N/P/CHG							
28NO18	R	01				INITIAL RELEASE		P.BAL	P.NAJ	M.GRU
15MR19	R	01	AA	B6		REFERENCE HELLERMANN TYTON DWG-NO. ADDED		K.FAR	M.GRU	K.PIT
27OC20	R	01	AB	G11 B6		PART AVAILABILITY FOR PART NUMBERS 33347875, 33349150, 33349606, 33349607 UPDATED NOTES UPDATED		P.NAJ	M.GRU	



SCALE
1:1



NOTES

- ON MAIN VIEW ASSEMBLY 33285172 SHOWN (CODE A)
- DELIVERED CONDITION AS ON MAIN VIEWS - SECONDARY LOCK AND SLIDER IN OPEN POSITION

ASSEMBLY INSTRUCTION NO.:
 35269106-CUS71 - PRELIMINARY ASSEMBLY
 35269106-CUS72 - HARNESS ASSEMBLY
 35269103-CUS73 - CAR ASSEMBLY
 35269102-CUS73 - CAR ASSEMBLY

MATING PARTS:
 - 16 WAY 1.5/2.8 MALE PANEL MOUNT ASM DWG-NO.: 35195561
 - 16 WAY 1.5/2.8 MALE STRAP MOUNT ASM DWG-NO.: 35195554
 - BACKSHELL 90 DEG APTIV DWG-NO.: 35024552 (HT DWG-NO.: 17-2277-001-CSG)
 - BACKSHELL 180 DEG APTIV DWG-NO.: 35024553 (HT DWG-NO.: 17-1491-001-CSG)
 - PROTECTION CAP APTIV DWG-NO.: 35149890 (HT DWG-NO.: 17-2268-001-CSG)

MATING TERMINAL SYSTEM:
 - 1.5 TERMINAL DWG-NO.: 15432214
 MAX WIRE CROSS SECTION: 1.0MM²
 RECOMMENDATION FOR 1.5 TERMINAL WITH WIRE CROSS SECTION 1.5MM² - USE COMBINATION:
 - TE TERMINAL: MCP 1.5, DWG NO.: 1418884-3
 SEAL: 964972-1
 MAX INSULATION CRIMP DIMENSIONS:
 HEIGHT: 3.40; WIDTH: 3.30
 - 2.8 TERMINAL DWG-NO.: 15446676
 MAX WIRE CROSS SECTION: 2.5MM²

1 APTIV LOGO
 2 MATERIAL NAME ACCORDING TO VDA 260
 3 TOOL CAVITY NUMBER
 4 PART CAVITY NUMBER
 5 MOVING DISTANCE OF SECONDARY LOCK
 6 MOVING DISTANCE OF SLIDER

DIM TO CHECK	DIMENSIONAL RANGE (MM)	TOLERANCE UNLESS OTHERWISE SPECIFIED
() DIM FOR HELP	FROM > 0 TO > 20	±0.15
	> 20 TO > 30	±0.2
	> 30 TO > 70	±0.3
	> 70 TO > 100	±0.4
	> 100 TO > 150	±0.5
	> 150 TO > 200	±0.6
	> 200 TO > 250	±0.8
	> 250 TO > 300	±1
	> 300 TO > 400	±1.2
THEORETIC DIM		±0.2

DWG TYP	PART DRAWING	DISTR CODE
WEIGHT (GR)	SEE CHART	
VOLUME (CM ³)	---	
ROUTING		
UNLESS OTHERWISE SPECIFIED		
GENERAL TOLERANCES ACCORDING TO: SEE CHART		
GD&T ACCORDING TO: ISO 1101		
REFERENCE		
FIRST ANGLE PROJECTION		
DO NOT SCALE		
USE MATH DATA		

• APTIV •

CONNECTION SYSTEMS
 KRAKOW, POLAND
 COPYRIGHT 2018 APTIV. ALL RIGHTS RESERVED.

THIS DRAWING IS THE PROPERTY OF APTIV AND CONTAINS APTIV CONFIDENTIAL INFORMATION. THE REPRODUCTION, DISTRIBUTION AND UTILIZATION OF THIS DOCUMENT OR ITS RELATED CAD MATH DATA, AS WELL AS COMMUNICATION OF ANY CONTENT TO OTHERS, WITHOUT EXPRESS AUTHORIZATION, IS PROHIBITED.

TEN RYSUNEK JEST WLASNOSCIA APTIV I ZAWIERA POUFNE INFORMACJE POWELANE, ROZPOWISZCZANIE I WYKORZYSTYWANIE TEGO DOKUMENTU LUB ZWIAZANYCH Z NIM DANYCH CAD, JAK ROWNIEZ PRZEKAZYWANIE INNYM JAKIEKOLWIEK ICH ZAWARTOSCI, BEZ NADANA WYRAZNYCH UPRAWNIEN, JEST ZABRONIONE.

	DATE
DR	P.BALAJI 27NO18
APVD1	P.NAJDUCH 28NO18
APVD2	M.GRUDZEWSKI 29NO18
APVD3	
APVD4	
APVD5	

SUBSTANCES OF CONCERN AND RECYCLED CONTENT PER APTIV 10949001 SUBSTANCJE NIEBEZPIECZNE I POWTORNIE PRZETWORZONE OKRESLA APTIV 10949001

MATERIAL
 SEE CHART

DRAWING NAME
 16 WAY 1.5/2.8
 CTCS FEMALE ASSEMBLY

DRAWING NUMBER
35195556

SIZE	SCALE	FRAME NO	SHEET NO	STG	REV	N/P
A1	2:1	1 OF 1	1 OF 1	R	01	AB