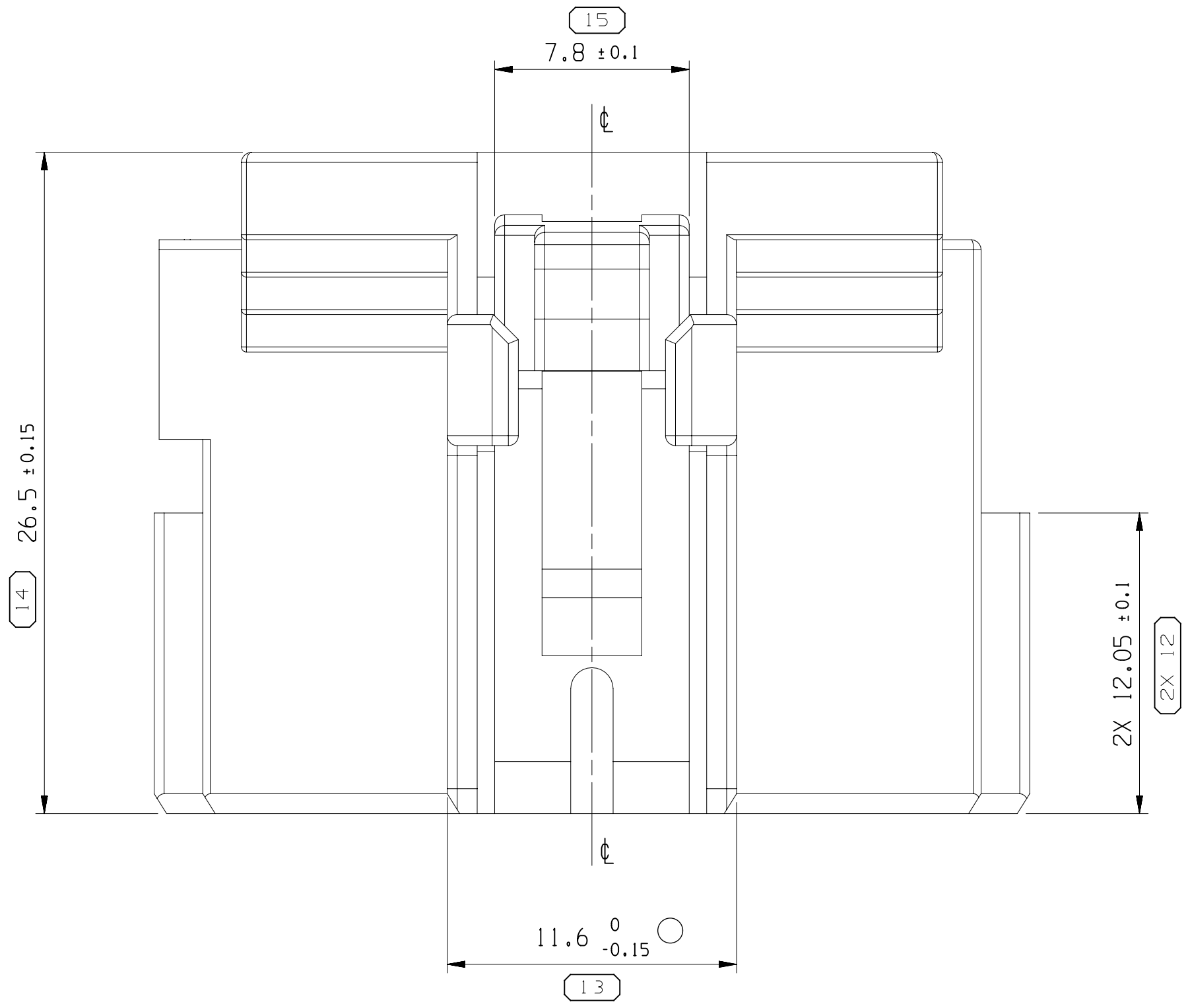
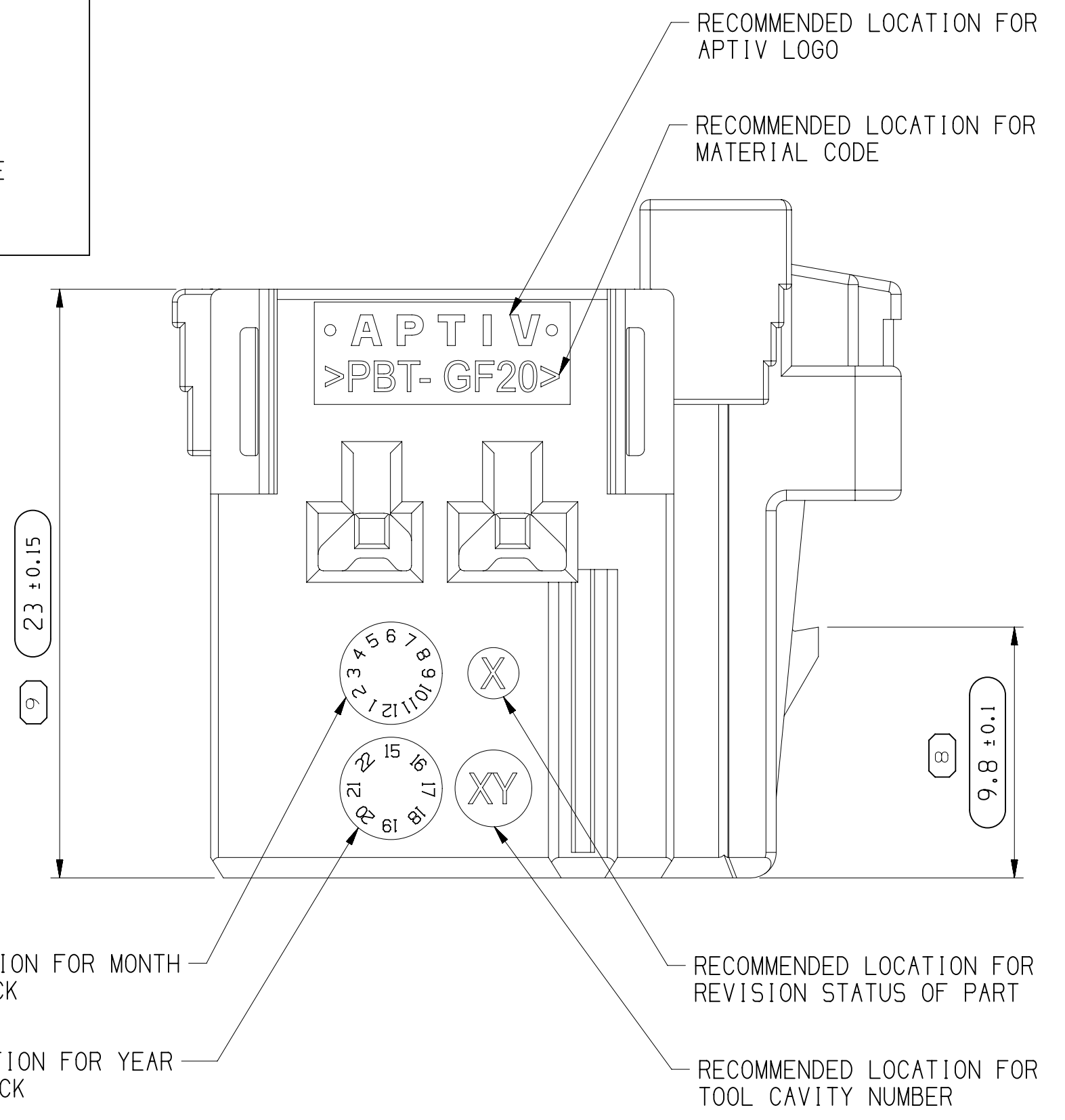
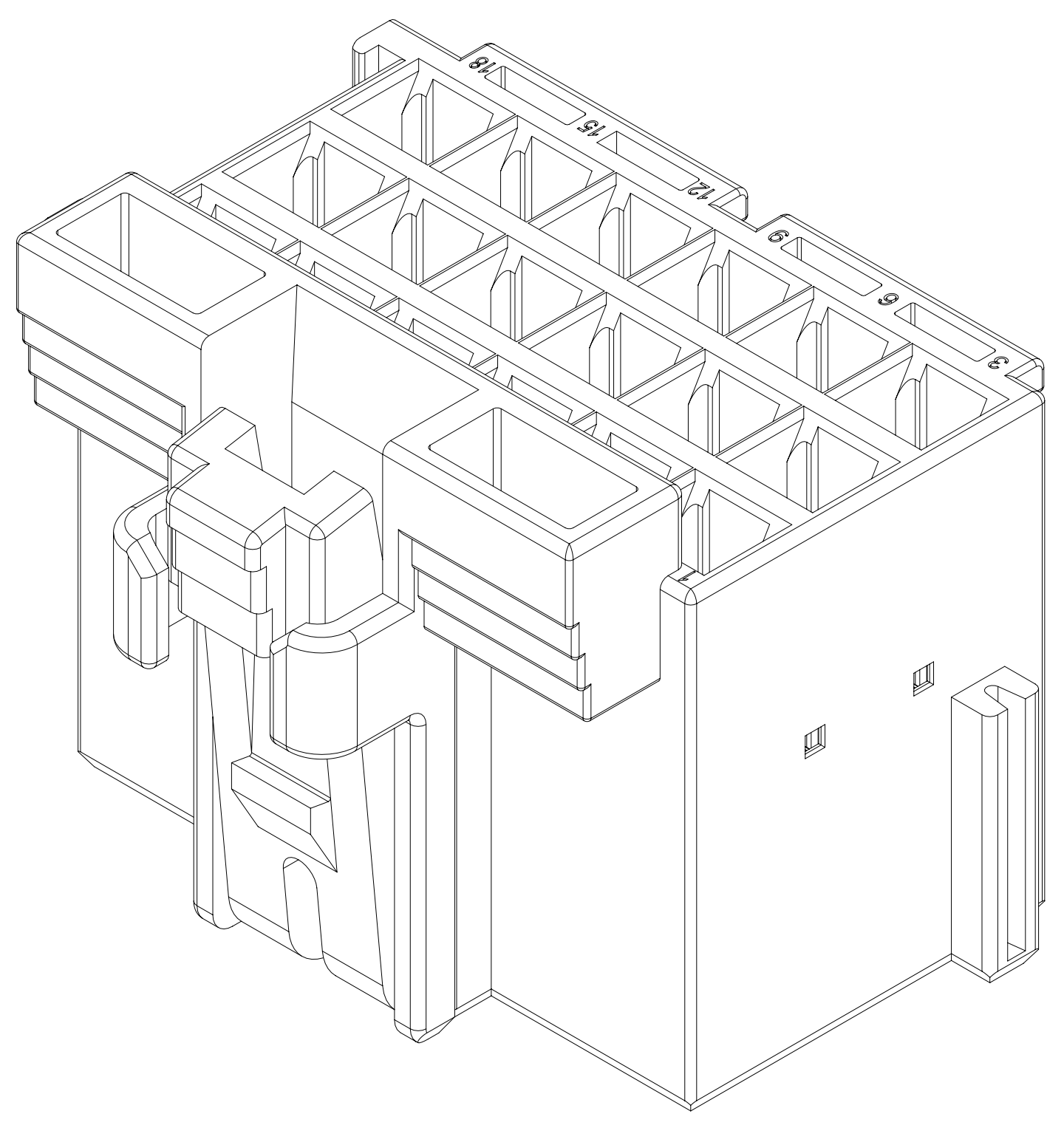
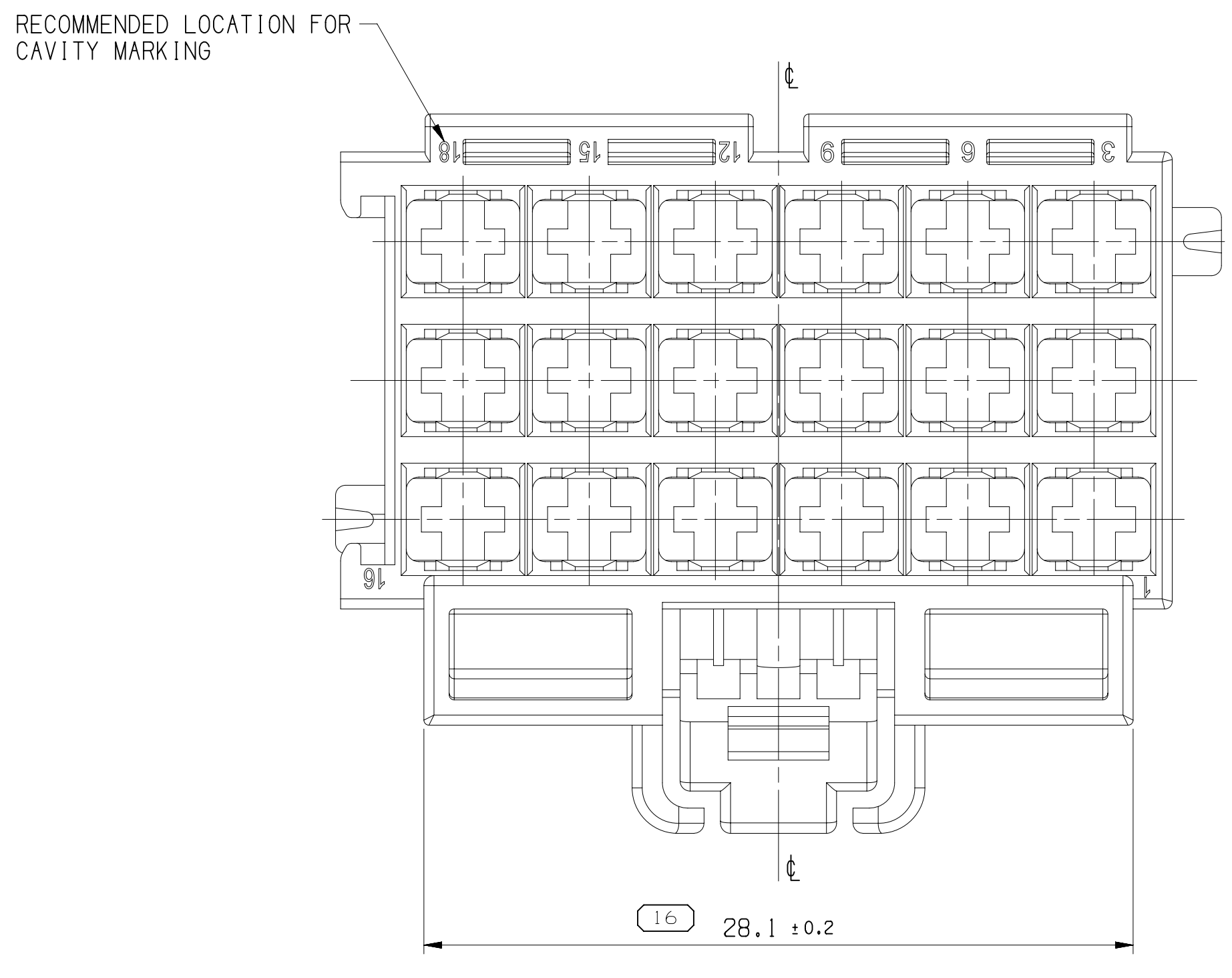
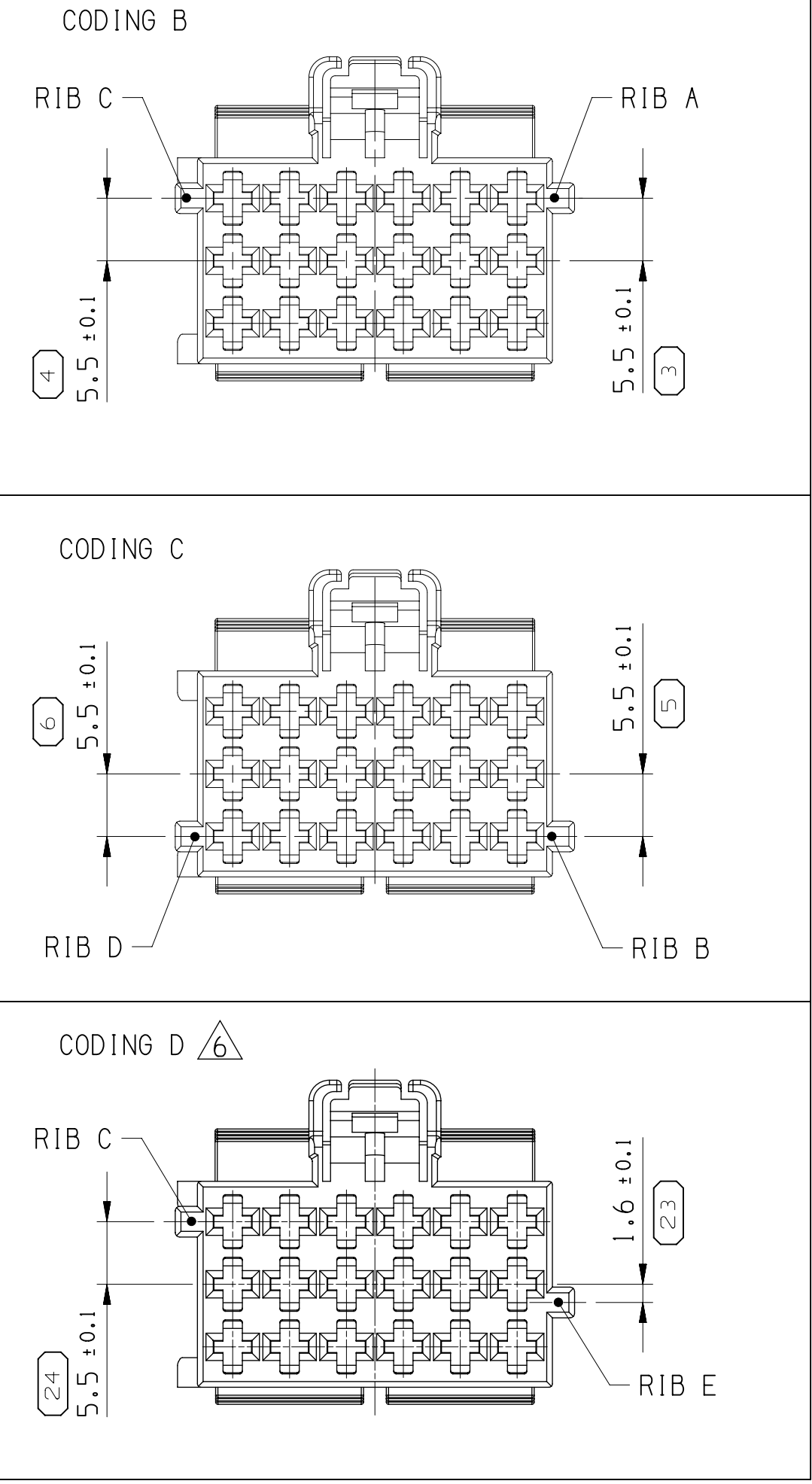
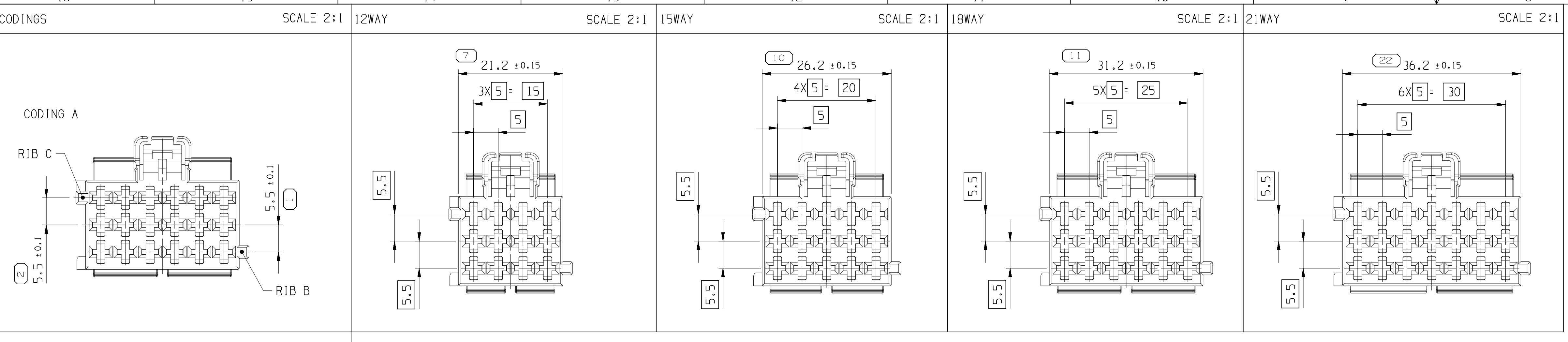


SYMBOL DEFINITION		MISSING SYMBOLS	
A DIMENSION WITHOUT AN INSPECTION REPORT SYMBOL DOES NOT REQUIRE INSPECTION. IT MAY BE CONTROLLED ON THE INDIVIDUAL COMPONENT DRAWING.	TOTAL NO OF INSPECTIONS REQUIRED	NO MISSING SYMBOL NUMBER	
	LAST NO. USED	26	
		24	

DATE						REVISION HISTORY						AUTH		DR		AP/VP	
DATE	STG	REV	N/P	CHG	ZONE	DATE	REV	DESCRIPTION	DATE	REV	DESCRIPTION	DATE	REV	DESCRIPTION	DATE	REV	DESCRIPTION
21AU19	R	01	-	-	-			CREATED PART DRAWING	445527								HAO/SUB
17JL20	R	01	AA	-	-			PRODUCTION MONTH LOGO UPDATED PRODUCTION YEAR LOGO ADDED DIM NUMBER "B" WAS UPDATED NOTE 3, 4, 5 ADDED BOM TABLE UPDATED TOLERANCE FOR DIM 13,17 ARE UPDATED	445527								HAO/SUB
18OE20	R	01	AB	-	-			NOTE 6 ADDED DIM. NO. 23 & 24 ADDED BOM TABLE UPDATED	446237								HAO/SUB

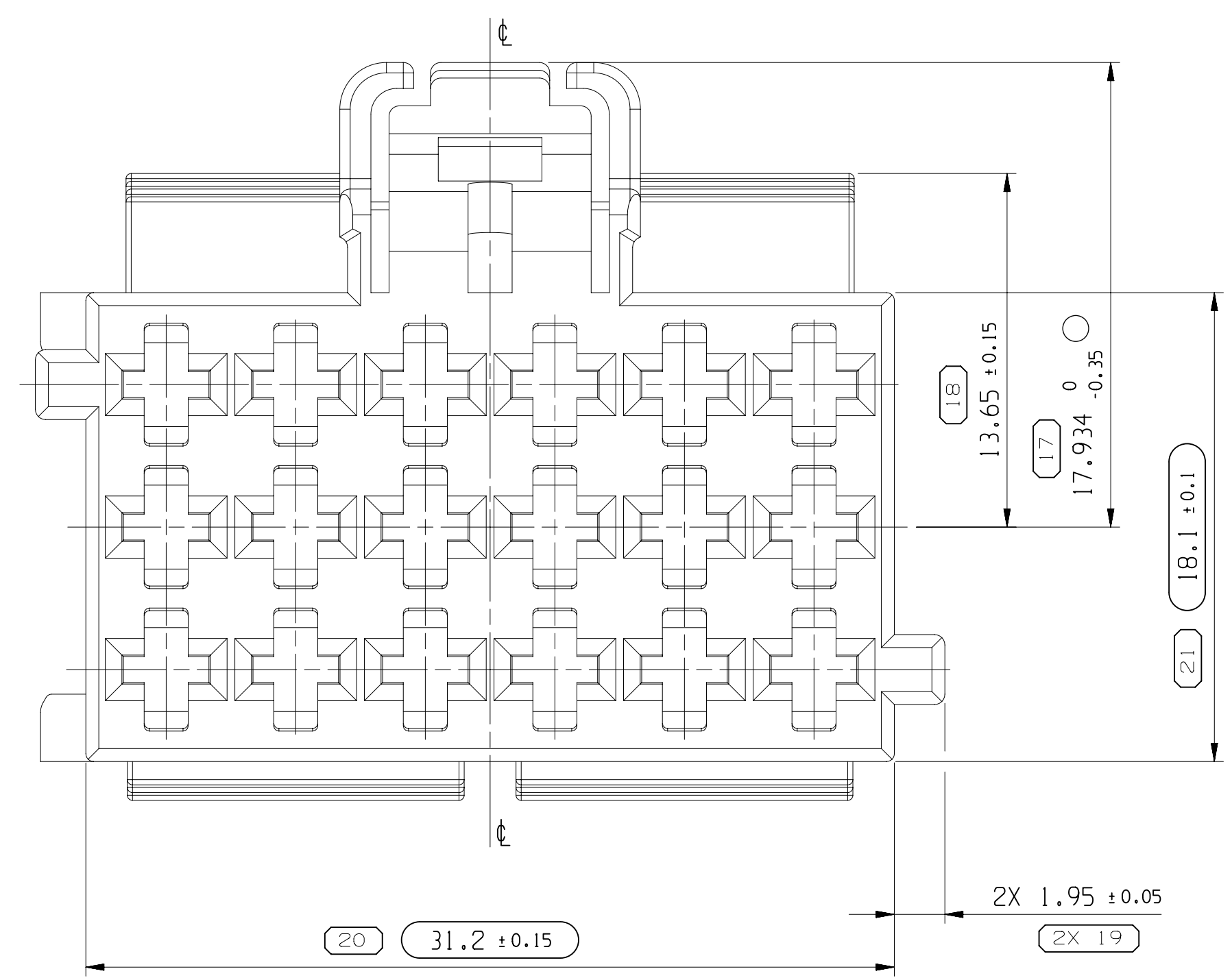


- UNLESS OTHERWISE SPECIFIED AND/OR INDICATED: DIMENSIONS ARE TO FACE OF VIEW SHOWN AND AUTOMATICALLY ROUNDED BY COMPUTER FOR INSPECTION (SEE MATH MODEL FOR PRECISE DIMENSIONS). FOR ALL OTHER DIMENSIONS NOT SHOWN BUT REQUIRED FOR TOOL BUILD SEE MATH MODEL FOR PRECISE TOOL PATH DATA.
- FOR UNDIMENSIONED GEOMETRY REFER 3D MODEL
- MATING MALE HOUSING INFORMATION: SEE TABLE
- MATING TPA INFORMATION: SEE TABLE
- MATING FEMALE TERMINAL:

TERMINAL	TERMINAL PLATING	CABLE SIZE IN MM ²
15457847	SN	0.22-0.35
15457848	SN	0.5-1.0
15457849	SN	1.5-2.5
13799599	AG	0.22-0.35
13799601	AG	0.5-1.0
13799603	AG	1.5-2.5
35250566	SN	0.22-0.35
35250567	SN	0.5-1.0
35250568	SN	1.5-2.5

APPLICABLE ONLY FOR 18W

PART NAME	CODING	APTIV-PART NO.	COLOUR	VOLUME (CM ³)	MATING APTIV-PART NO.	MATING TPA NO.
21W FEMALE HOUSING	CODE C	35393033	BLUE	8.19	35393024	35387561
	CODE B	35393032	YELLOW		35393023	
	CODE A	35497024	GRAY		35497025	
		35497023	RUST BROWN		35497026	
18W FEMALE HOUSING	CODE D	35497021	HEATHER VIOLET	7.2	35497018	35387560
	CODE C	35393031	BLUE		35393022	
	CODE B	35497022	NATURAL		35497017	
		35393030	YELLOW		35393021	
15W FEMALE HOUSING	CODE A	35497020	GRAY	6.21	35497019	35387559
	CODE C	35387552	BLACK		35387555	
		35393028	BLUE		35393020	
	CODE B	35497015	NATURAL		35497016	
12W FEMALE HOUSING	CODE B	35393027	YELLOW	5.2	35393019	35387558
	CODE A	35511672	TRAFFIC PURPLE		-	
		35497014	HEATHER VIOLET		35497013	
	CODE C	35393026	BLUE		35387556	
12W FEMALE HOUSING	CODE B	35393025	YELLOW	5.2	35393018	35387557
	CODE A	35497012	GREEN		35393017	
		35387550	BLACK		35497011	



DIMENSIONAL RANGE (MM)	CHART	W
FROM > 0	> 6	> 70
> 6	> 30	> 120
> 30	> 70	> 160
> 70	> 120	> 200
> 120	> 160	> 250
> 160	> 200	> 315
> 200	> 250	> 400

PART DRAWING	
STYLE	-
VOLUME (CM ³)	SEE CHART
DISTR CODE	D
UNLESS OTHERWISE SPECIFIED	
THIS DOCUMENT IS IN ACCORDANCE WITH ASME Y14.5-2009. SEE APTIV ENGINEERING DESIGN STANDARD 06-2017 FOR ISO 1101:2004 RECONCILIATION REQUIREMENTS.	
ALL DIMENSIONS ARE IN MILLIMETERS	
REFERENCE	
THIRD ANGLE PROJECTION	DO NOT SCALE
USE MATH DATA	

• APTIV •
CONNECTION SYSTEMS
Chennai, India
COPYRIGHT 2019 APTIV. ALL RIGHTS RESERVED.
THIS DRAWING IS THE PROPERTY OF APTIV AND CONTAINS APTIV CONFIDENTIAL INFORMATION. THE REPRODUCTION, DISTRIBUTION AND UTILIZATION OF THIS DOCUMENT OR ITS RELATED CAD DATA, AS WELL AS COMMUNICATION OF ANY CONTENT TO OTHERS, WITHOUT EXPRESS AUTHORIZATION, IS PROHIBITED.

DR	DATE
APV01 K.AN JANEYULU	21AU19
APV02 V.SATHISH	21AU19
APV03 SUJIBIN HUANG	21AU19
APV04	

MATERIAL: POLYESTER BLEND
DRAWING NAME: TAXI CONN 0 F CTS 280
DRAWING NUMBER: 35388527
SIZE: A0 SCALE: 5:1 FRAME NO: 1 OF 1 SHEET NO: 1 OF 1 STG REV N/P: R 01 AB