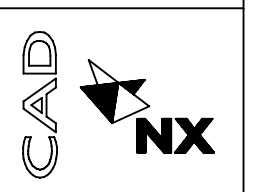
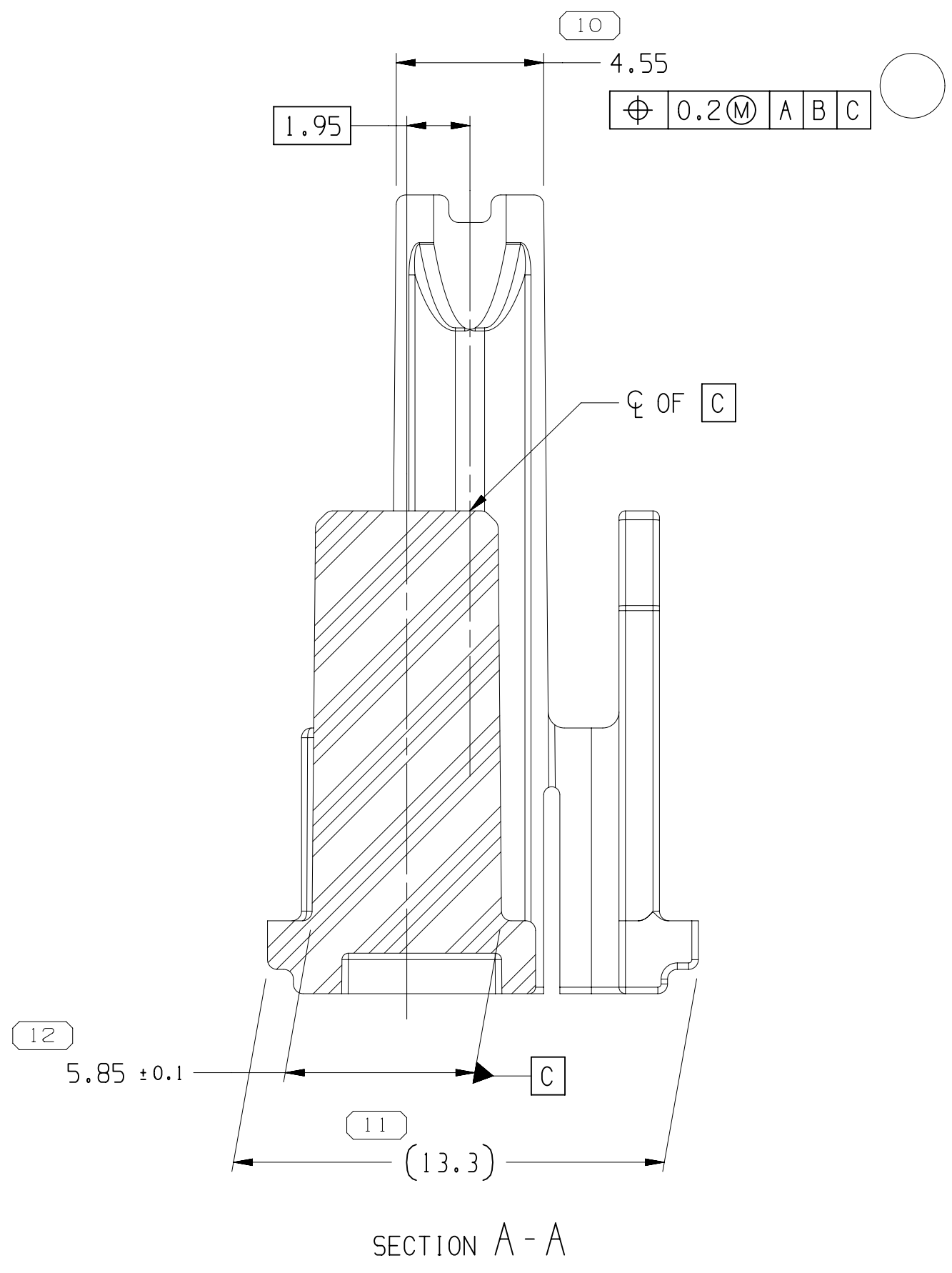
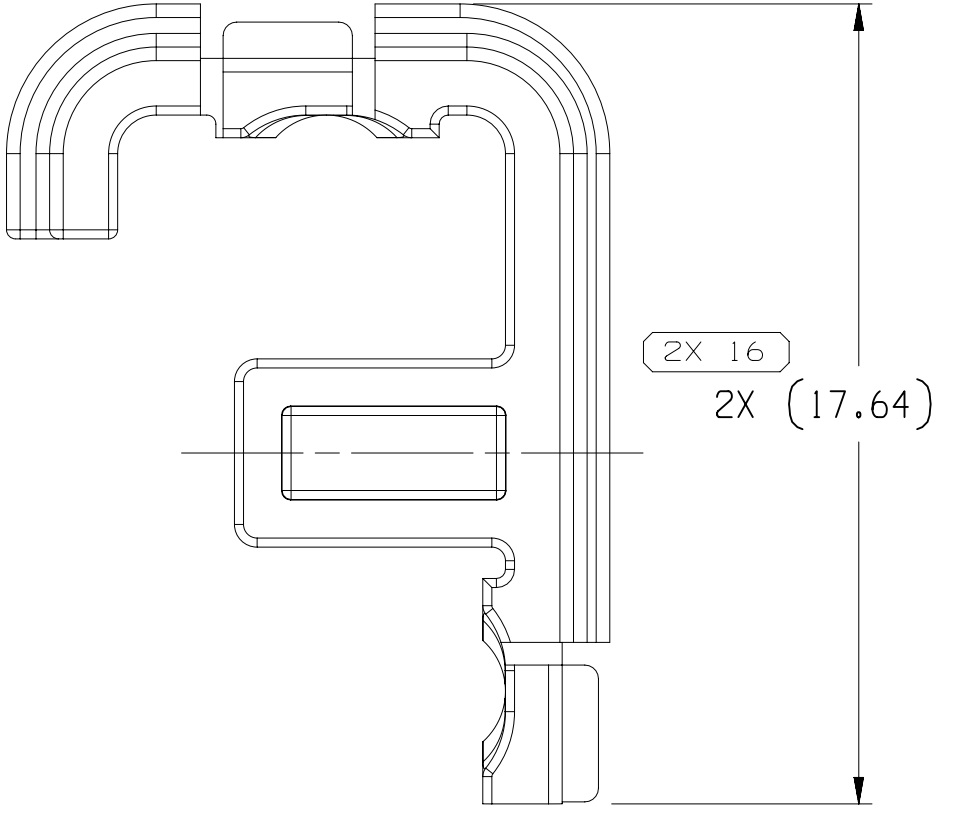
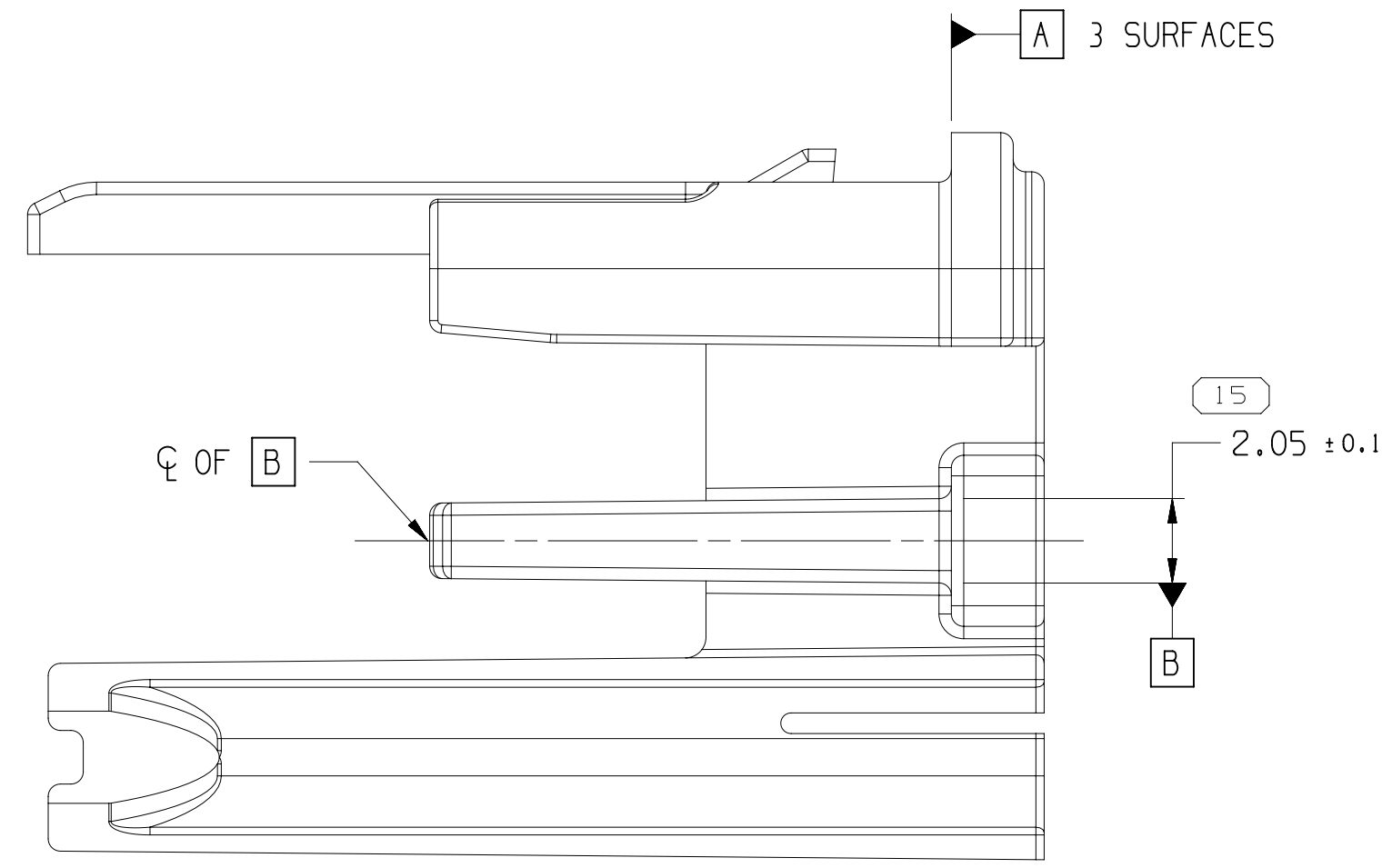
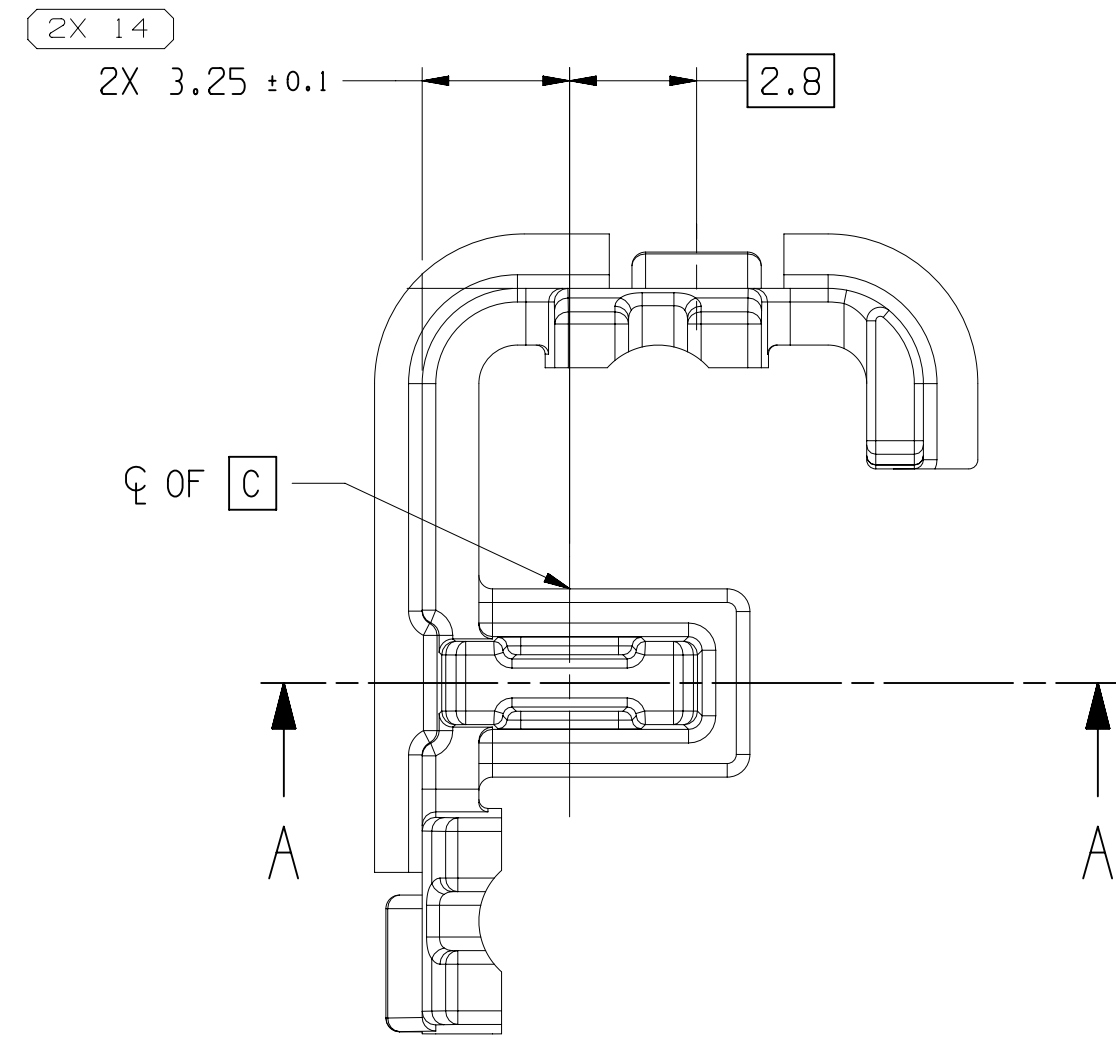
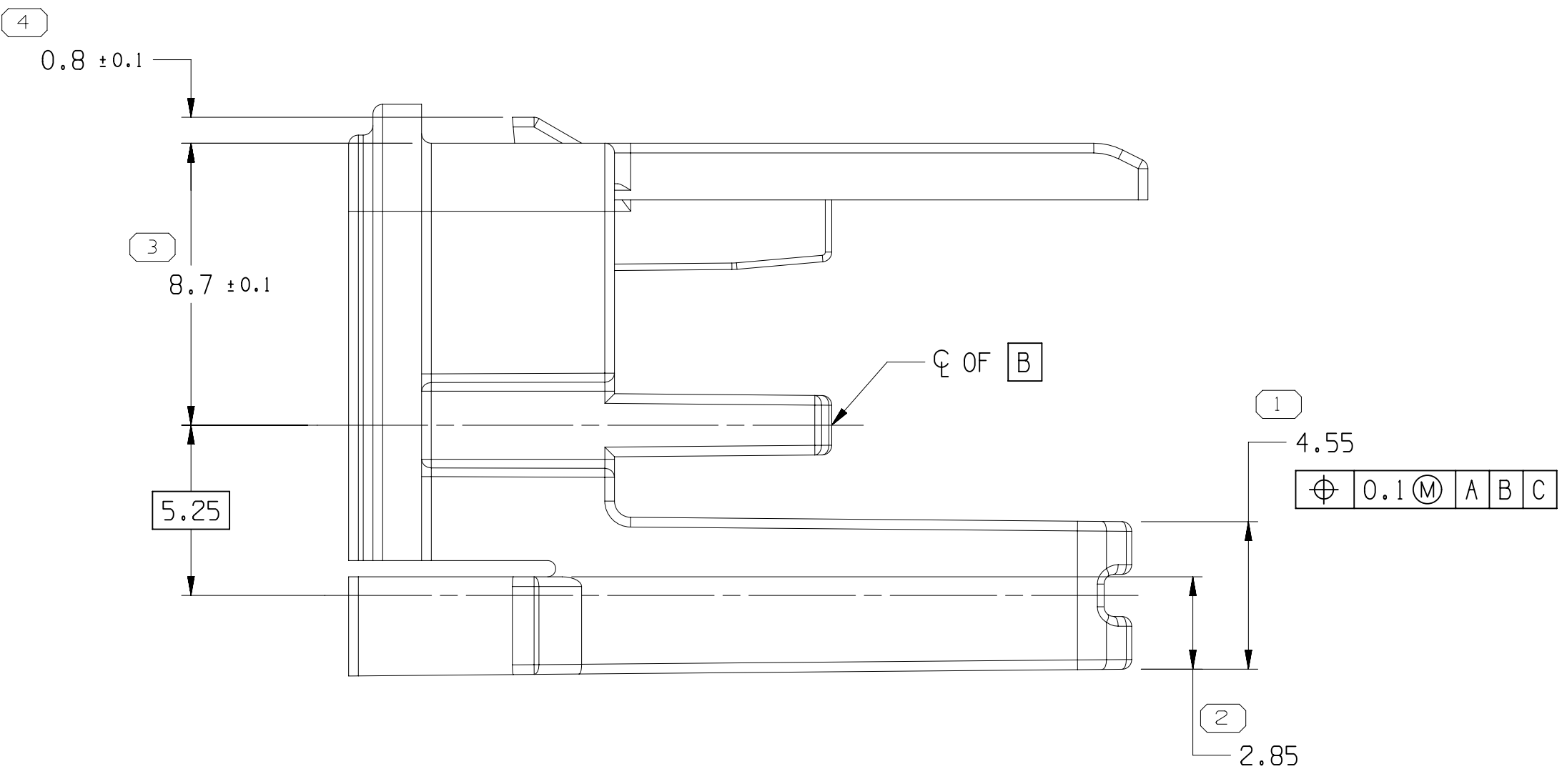
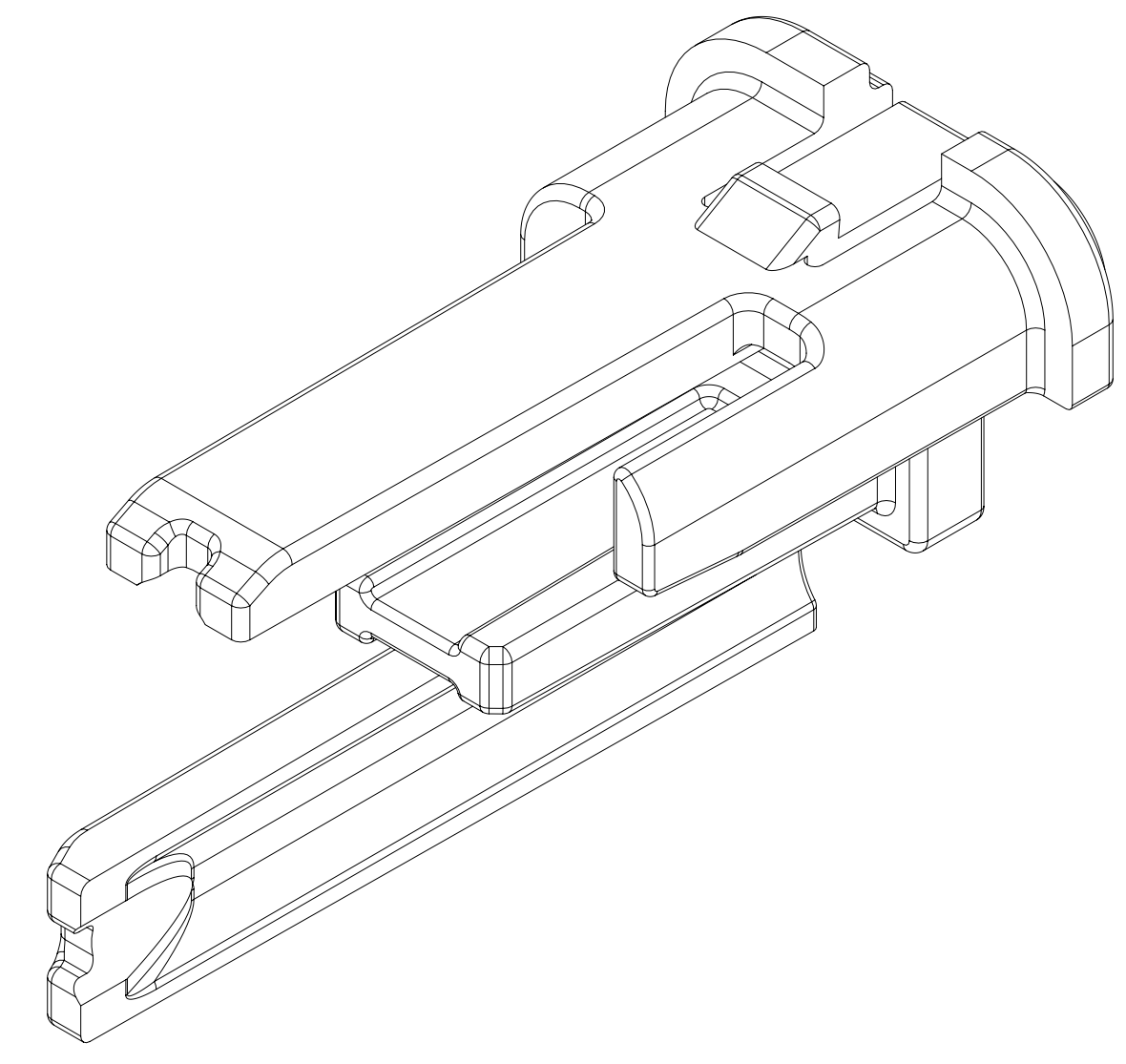
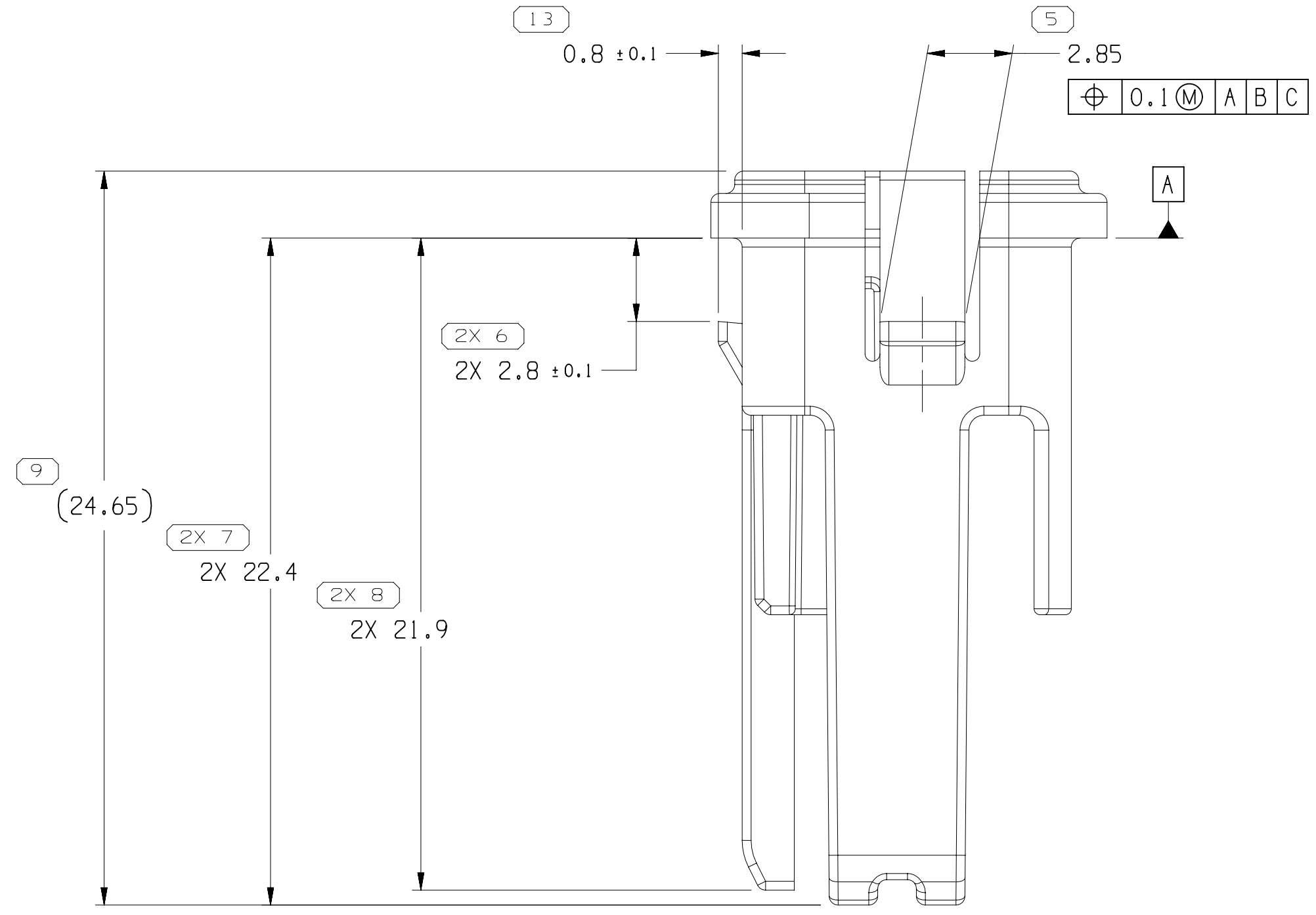


SYMBOL DEFINITION	
\square	A DIMENSION WITHOUT AN INSPECTION REPORT SYMBOL DOES NOT REQUIRE INSPECTION. IT MAY BE CONTROLLED ON THE INDIVIDUAL COMPONENT DRAWING.
\circ	PROCESS SENSITIVE DIMENSION
\oplus	INDICATES THAT PHYSICAL PARTS ARE NOT AVAILABLE FOR ORDERING.
\circ	PART NUMBERS THAT DO NOT HAVE A LINE PRESENT INDICATE THAT PHYSICAL PARTS ARE AVAILABLE FOR ORDERING.
\square	CONTACT APTIV SALES TO ASSURE AVAILABILITY
\square	UNLESS OTHERWISE SPECIFIED
\square	THIS DOCUMENT IS IN ACCORDANCE WITH ASME Y14.5-2019, SEE APTIV ENGINEERING DESIGN STANDARD 06-2017 FOR ISO 1101:2004 DIMENSIONAL REQUIREMENTS.
\square	ALL DIMENSIONS ARE IN MILLIMETERS
\square	REFERENCE
\square	THIRD ANGLE PROJECTION
\square	DO NOT SCALE USE MATH DATA
\square	

MISSING SYMBOLS NO MISSING SYMBOL NUMBER		TOTAL NO OF INSPECTIONS REQUIRED		LAST NO. USED	
21	16				

DWG STATUS		ZONE		REVISION HISTORY		AUTH	DR	APVD	APVD
DATE	STG	REV	IMP	CHG					
17AP20	R	01	-	-	1	551077	JGM	JGM	1
29JN21	R	02	-	-	2	554663	LXA	EVV	2



- NOTES
- UNLESS OTHERWISE SPECIFIED AND/OR INDICATED:
DIMENSIONS ARE TO FACE OF VIEW SHOWN AND AUTOMATICALLY ROUNDED BY COMPUTER FOR INSPECTION (SEE MATH MODEL FOR PRECISE DIMENSIONS). FOR ALL OTHER DIMENSIONS NOT SHOWN BUT REQUIRED FOR TOOL BUILD, SEE MATH MODEL FOR PRECISE TOOL PATH DATA.
 - THIS PRODUCT IS NOT CATEGORIZED AS AN APPEARANCE ITEM, MINOR IMPERFECTIONS INCLUDING, BUT NOT LIMITED TO, FLOW MARKS, COLOR BLEMISHES, GATE VESTIGE, AND SOFT FLASH THAT DO NOT AFFECT THE FIT, FORM, OR FUNCTION OF THE PART ARE PERMISSIBLE PER EANP-4-3-CS-01-EN.
 - REFERENCE MATING COMPONENTS OR EQUIVALENT:
TAXI CONNECTOR 35448127
 - CORPORATE BRAND TO BE APPLIED TO PRODUCT DESIGN PER THE LATEST REVISION OF ESD 51085201.

APTIV			
CONNECTION SYSTEMS			
WARREN, OH			
COPYRIGHT 2020 APTIV, ALL RIGHTS RESERVED.			
THIS DRAWING IS THE PROPERTY OF APTIV AND CONTAINS APTIV CONFIDENTIAL INFORMATION. THE REPRODUCTION, DISTRIBUTION AND UTILIZATION OF THIS DOCUMENT OR ITS RELATED CAD DATA, AS WELL AS COMMUNICATION OF ANY CONTENT TO OTHERS, WITHOUT EXPRESS AUTHORIZATION, IS PROHIBITED.			
DWG TYPE	PART DRAWING	DR	DATE
STYLE		APVD1	17AP20
VOLUME (QNT)	0.725	APVD2	17AP20
DISTR CODE	D	APVD3	24AP20
UNLESS OTHERWISE SPECIFIED			
THIS DOCUMENT IS IN ACCORDANCE WITH ASME Y14.5-2019, SEE APTIV ENGINEERING DESIGN STANDARD 06-2017 FOR ISO 1101:2004 DIMENSIONAL REQUIREMENTS.			
ALL DIMENSIONS ARE IN MILLIMETERS			
MATERIAL: POLYESTER COMPOUND ORANGE			
DRAWING NUMBER: 35448129			
DRAWING NAME: LOCK TPA/CLIP			
SIZE	SCALE	FRAME NO	SHEET NO
A0	5:1	1 OF 1	1 OF 1
2		1	02

DIMENSIONAL RANGE (MM)		CHART	
FROM	TO	A	B
> 0	> 20	> 70	> 100
20	20	70	100
		100	150
		150	200
		200	250
		250	300
		300	400
TOLERANCE UNLESS OTHERWISE SPECIFIED			
±0.15	±0.2	±0.3	±0.4
±0.5	±0.6	±0.8	±1
±1	±1.2	±1.5	±2
ANGULAR TOLERANCE: ±2°			