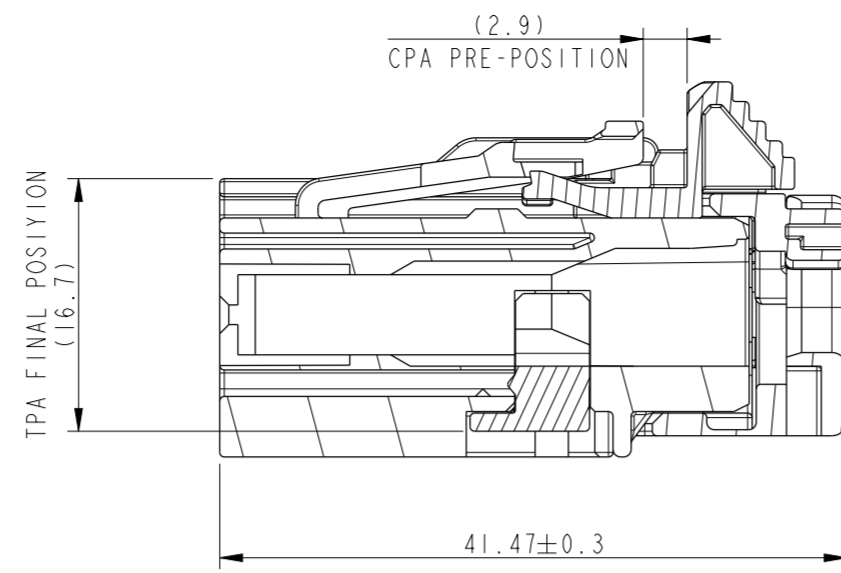
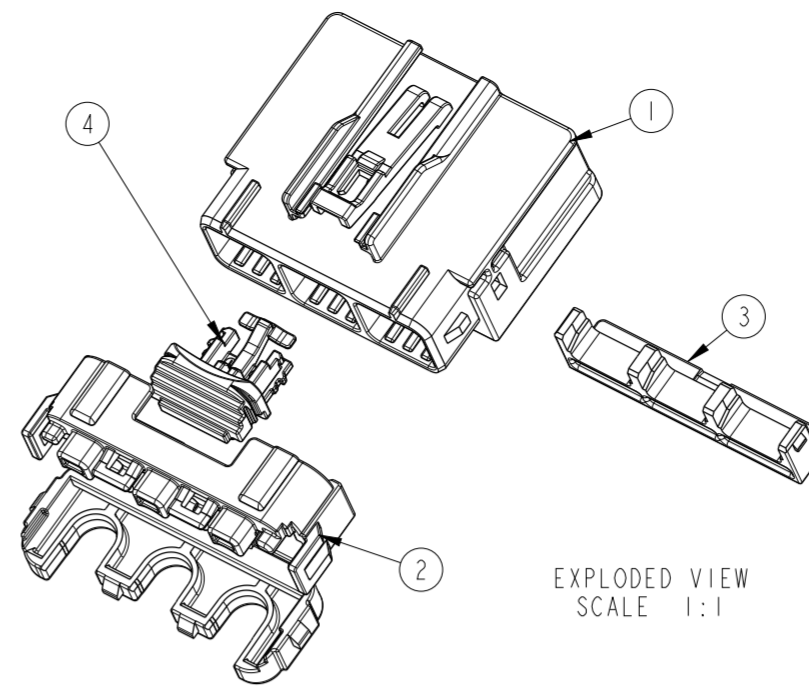


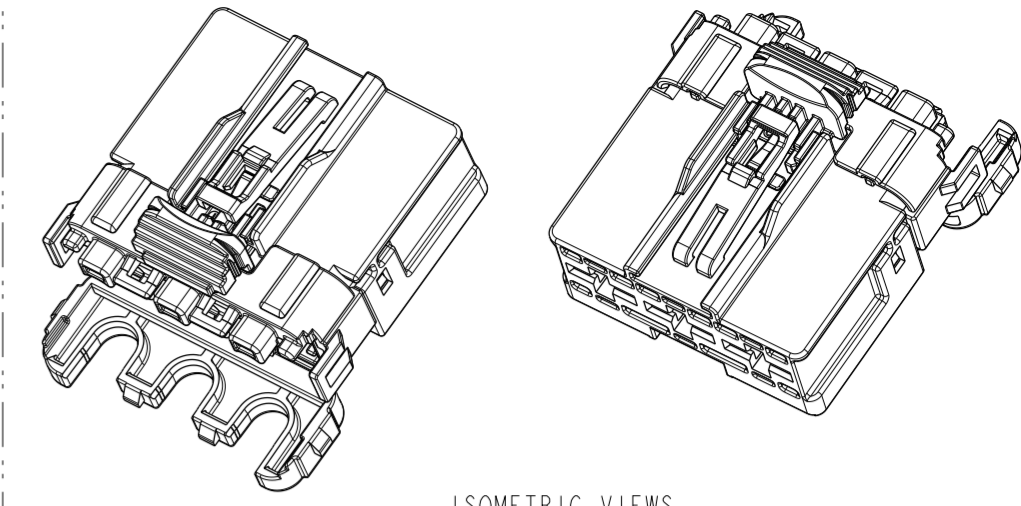
TPA & CPA PRE-LOCK POSITION  
DELIVERY CONDITION  
FROM FCI TO HARNESS MAKER



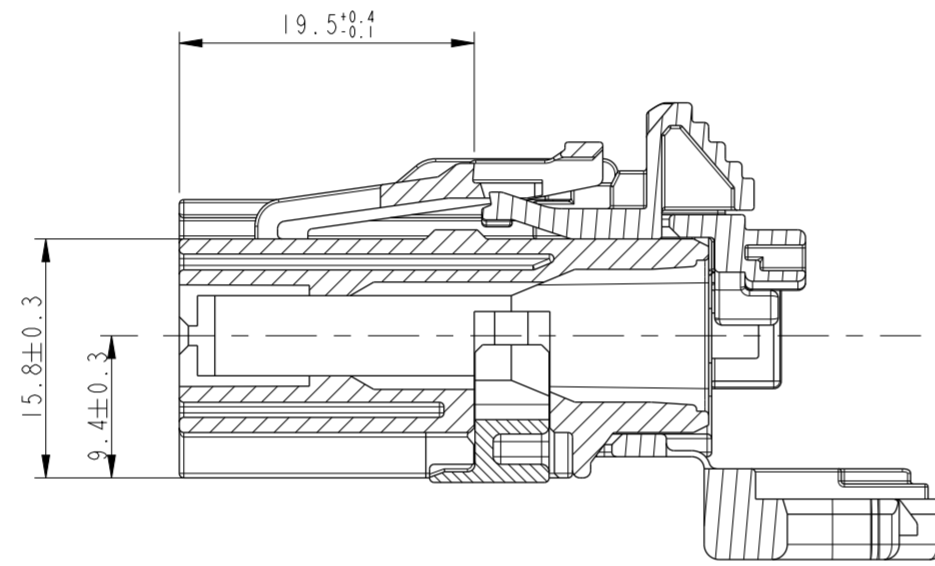
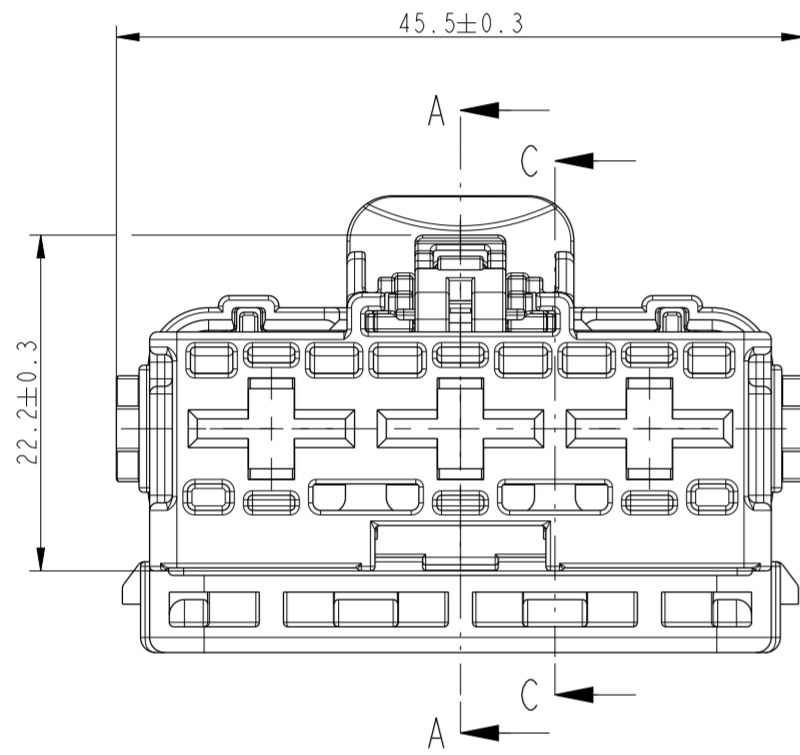
TPA FINAL POSITION  
CPA PRE-LOCK POSITION



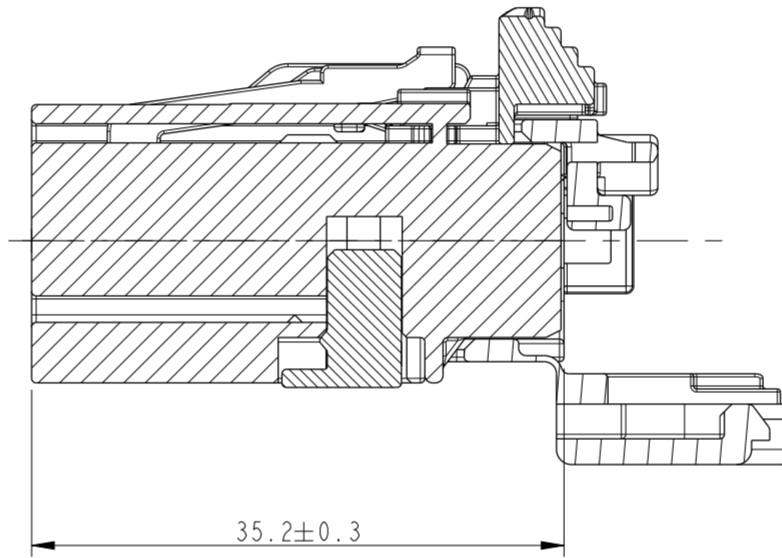
EXPLODED VIEW  
SCALE 1:1



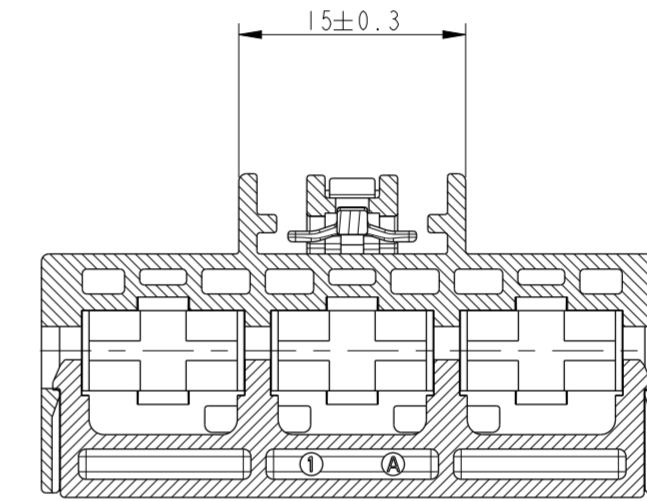
ISOMETRIC VIEWS  
SCALE 1:1



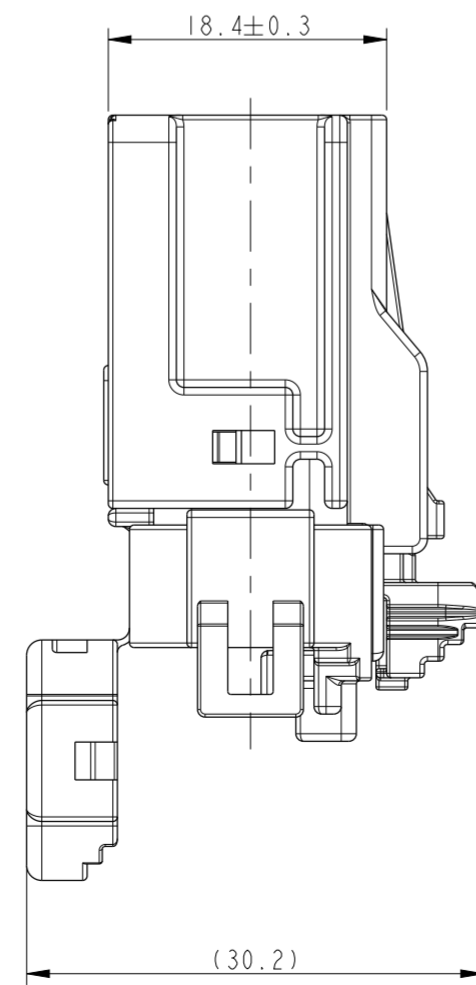
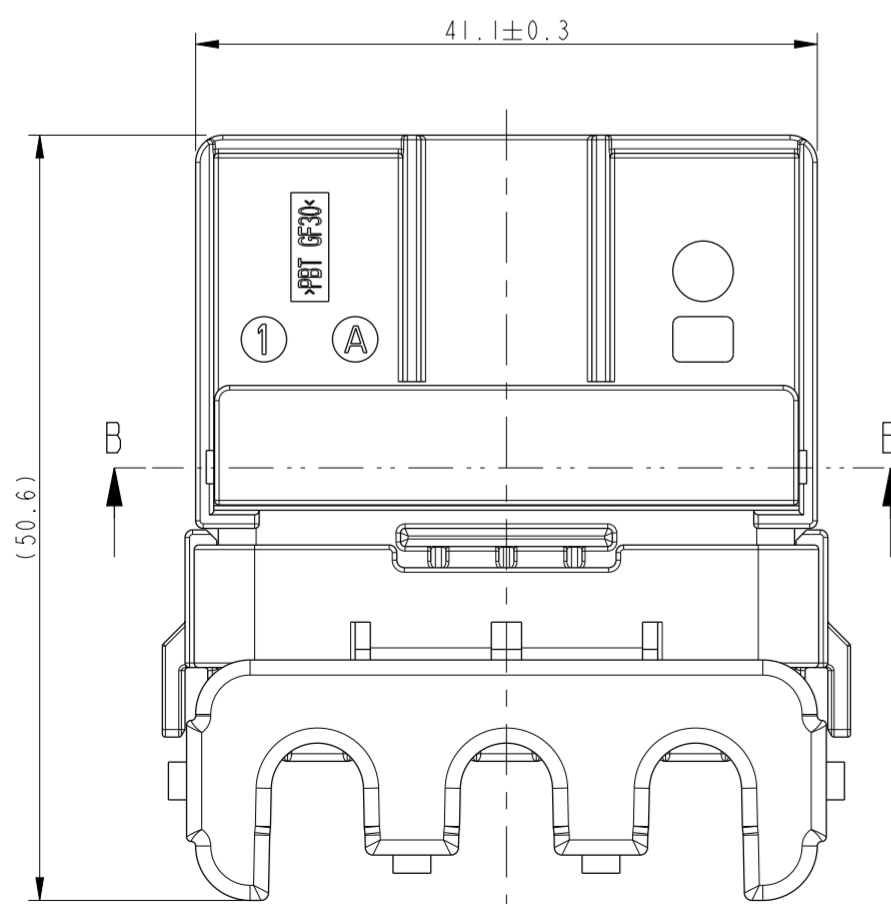
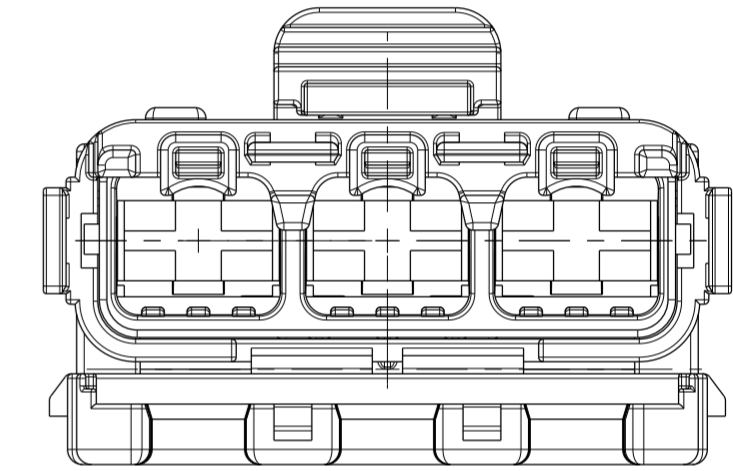
SECTION A-A



SECTION C-C



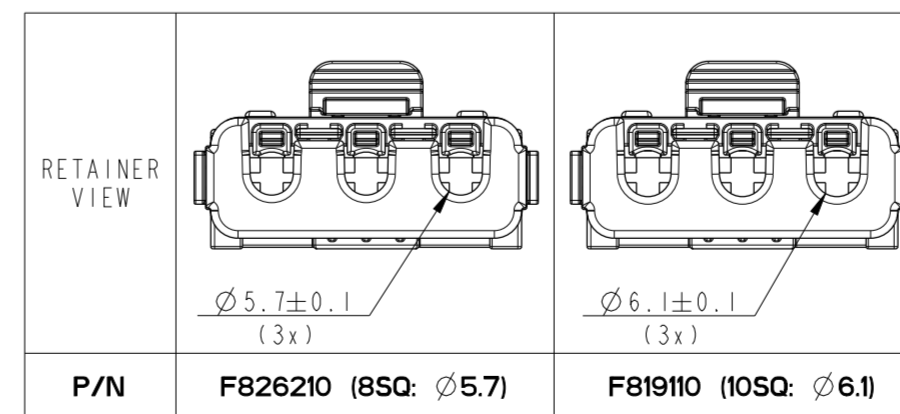
SECTION B-B



- NOTES
1. NOT SPECIFIED TOLERANCE : DIN ISO 2768(M)
  2. MUST BE FREE OF CRACK, FLOW MARK, FLASH, BURR ETC THAT AFFECT FUNCTION OF PRODUCT
  3. THIS PRODUCT MUST MEET ES91500-00 (Rev. L)
  4. PPLICABLE COUNTER PART: F739110, F049110
  5. UNLESS OTHERWISE SPECIFIED TO VENDOR SPECIFICATION.

DIN ISO 2768		Tolerance Class medium (m)						
Linear dimensions except for broken edges	Permissible deviations for basic size range (mm)	0.5 *)	over 3	over 6	over 30	over 120	over 400	over 1000
	up to 3	up to 6	up to 30	up to 120	up to 400	up to 1000	up to 2000	
Broken edges (radii, chamfers)	Permissible deviations for basic size range (mm)	±0.1	±0.1	±0.2	±0.3	±0.5	±0.8	±1.2
	0.5 *)	up to 3	over 3 up to 6	over 6				
Angular dimensions	Permissible deviations for ranges of lengths, in mm, of the shorter side of the angle concerned	up to 10	over 10 up to 50	over 50 up to 120	over 120 up to 400	over 400		
	±1°	±0°30'	±0°20'	±0°10'	±0°5'			

\*) For nominal sizes below 0.5mm, the deviations shall be indicated adjacent to the relevant nominal sizes).



P/N	F826210 (85Q: Ø5.7)	F819110 (10SQ: Ø6.1)				
4	CPA	PBT	LIGHT YELLOW	S866210		
3	TPA	PBT GF30	NATURAL	S859110		
2	RETAINER	PA66	LIGHT BLUE	S080310		
2	RETAINER	PA66	BLACK	S169110		
1	FEMALE HOUSING	PBT GF30	DARK GRAY	S749110		
REF	F826210 MOBIS TYPE	F819110 MANDO TYPE	DESIGNATION	MATERIAL	COLOR	FCI P/N

ECN-12-00797	-	-	-	-	-	-	-	-	-
ECN-NO.	POSITION	CHANGE DESCRIPTION							
ECN-NO.	위치	A-5 Color Changed of RETAINER							
PRODUCT SPEC.	PACKAGING SPEC.	APPLICATION SPEC.	COPYRIGHT DELPHI CORPORATION AND/OR ITS AFFILIATES. ALL RIGHTS RESERVED. REVISED						
제품 규격	포장 규격	적용 규격	이 도면은 델피의 지적 재산이며, 델피의 사전 서면 동의 없이 무단 복제, 배포, 수정, 변형, 또는 이 도면의 내용을 타인에게 공개하는 것은 엄격히 금지됩니다. DELPHI의 사전 서면 동의 없이 무단 복제, 배포, 수정, 변형, 또는 이 도면의 내용을 타인에게 공개하는 것은 엄격히 금지됩니다.						
KN-11-007	KNP-11-016	KNF-11-007	THIS DRAWING IS THE PROPERTY OF DELPHI CORPORATION AND CONTAINS DELPHI CONFIDENTIAL INFORMATION. THE REPRODUCTION, DISTRIBUTION AND UTILIZATION OF THIS DOCUMENT OR ITS RELATED CAD DATA, AS WELL AS COMMUNICATION OF ANY CONTENT TO OTHERS, WITHOUT EXPRESS AUTHORIZATION, IS PROHIBITED.						
TOLERANCES	SEE TABLE	MATERIAL :	SEE TABLE	SURFACE FINISH					
公差	SEE TABLE	재질 :	SEE TABLE	표면 처리					
COUNTERPART No.	SEE NOTES								
상대품 품번	SEE TABLE								
DO NOT MEASURE DRAWING	DO NOT MEASURE DRAWING								
도면을 측정하지 마십시오	도면을 측정하지 마십시오								
CREATED BY	DATE	NAME	TITLE						
작성	날짜	이름	표명						
20110509		S S RAMASAMY	3 Way Female Assembly						
MODIFIED BY	PROJECT								
수정	3 Way DCS9.5 Female Connector								
20130304	ESR NO. AP-090043 CAT. NO.								
20130304	ESR 번호 AP-090043 목록 번호								
20130306	DOCUMENT UNDER PDS CONTROL PDS에 의해 관리되는 문서임.								
20130306	NO MODIFICATION ALLOWED OUTSIDE 외부에서 수정은 허용되지 않음.								
FILE NAME	PCC0737307								
파일명	PCC0737307								

**DELPHI**  
DELPHI PACKARD ELECTRICAL/ELECTRONIC ARCHITECTURE  
NAMHYANG, KOREA

**C** THIRD ANGLE  
제 3 각법

DIMENSION IN MILLIMETERS  
단위:mm

DWG SIZE 도면 크기  
A2

DRAWING NUMBER  
도면 번호  
**PCC0737307**

REV. 개정  
**F**

APPROVAL LEVEL 승인 수준  
1  
2

STATE OF SHEET  
시트 번호  
1 of 1

SCALE  
척도  
2:1

ASSOCIATED PARTS			
FEMALE TERMINALS	PART NUMBER	WIRE SIZE RANGE (mm <sup>2</sup> )	TYPE
DCSI 9.5mm Box	6 007 04 71	6.00-10.00	Female