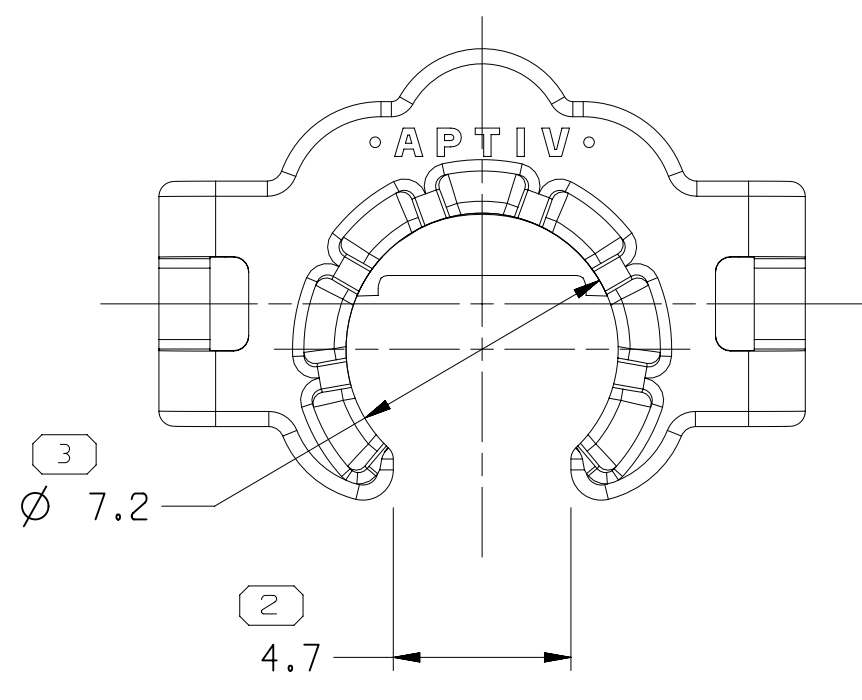
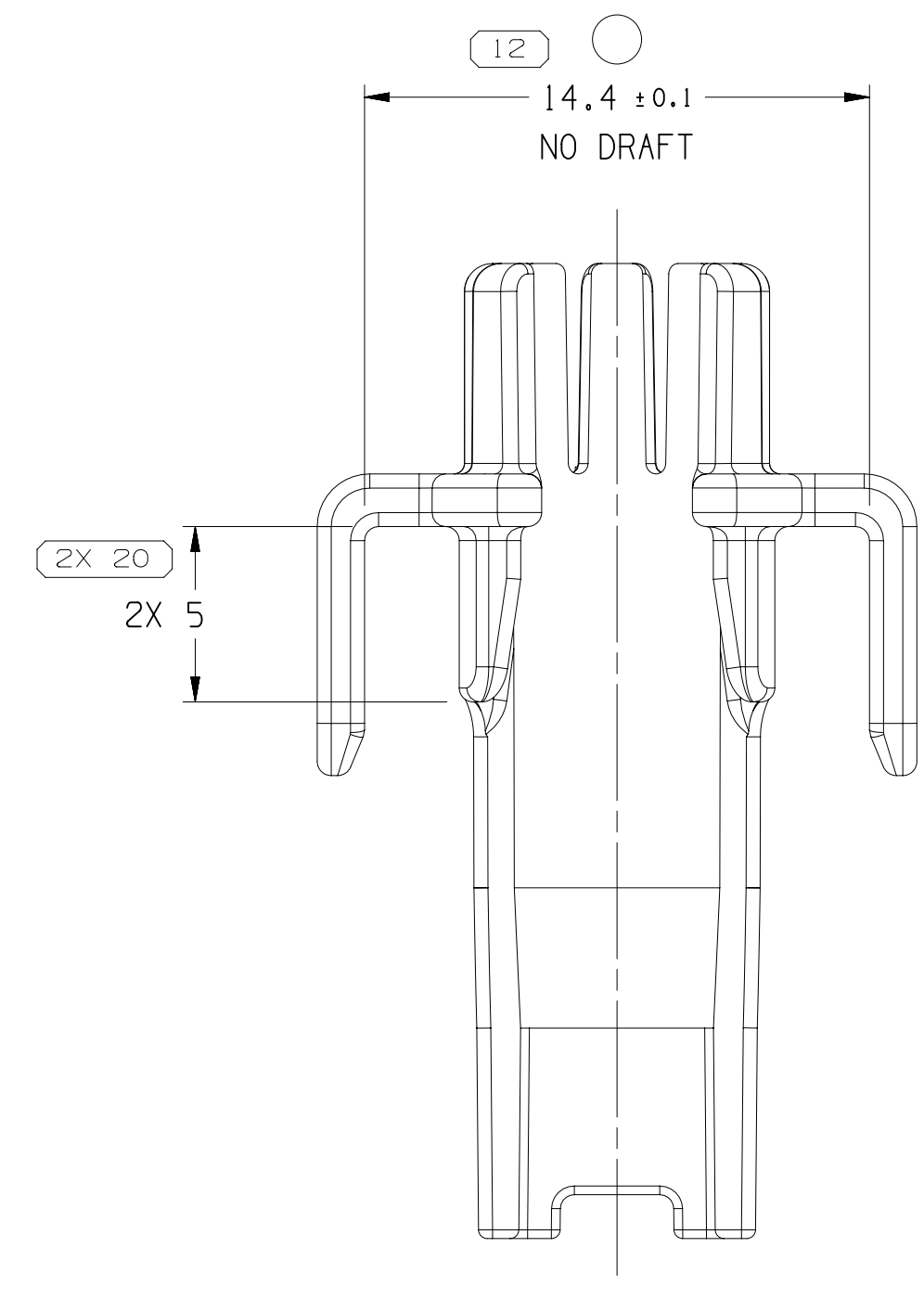
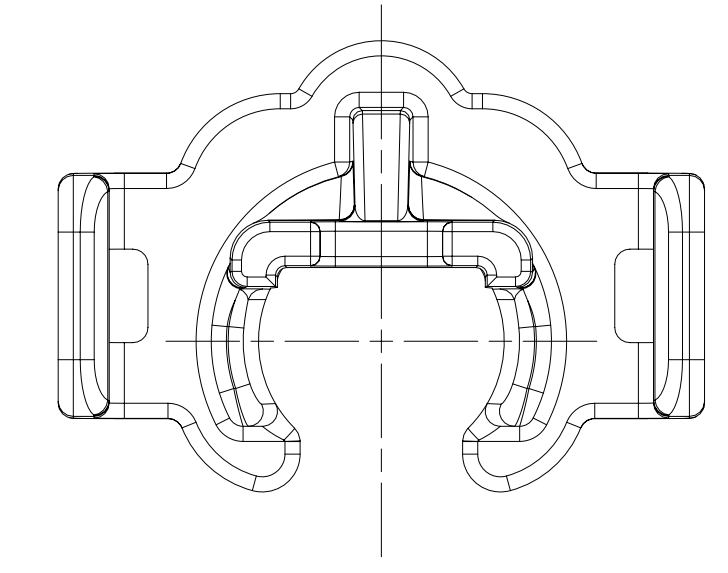
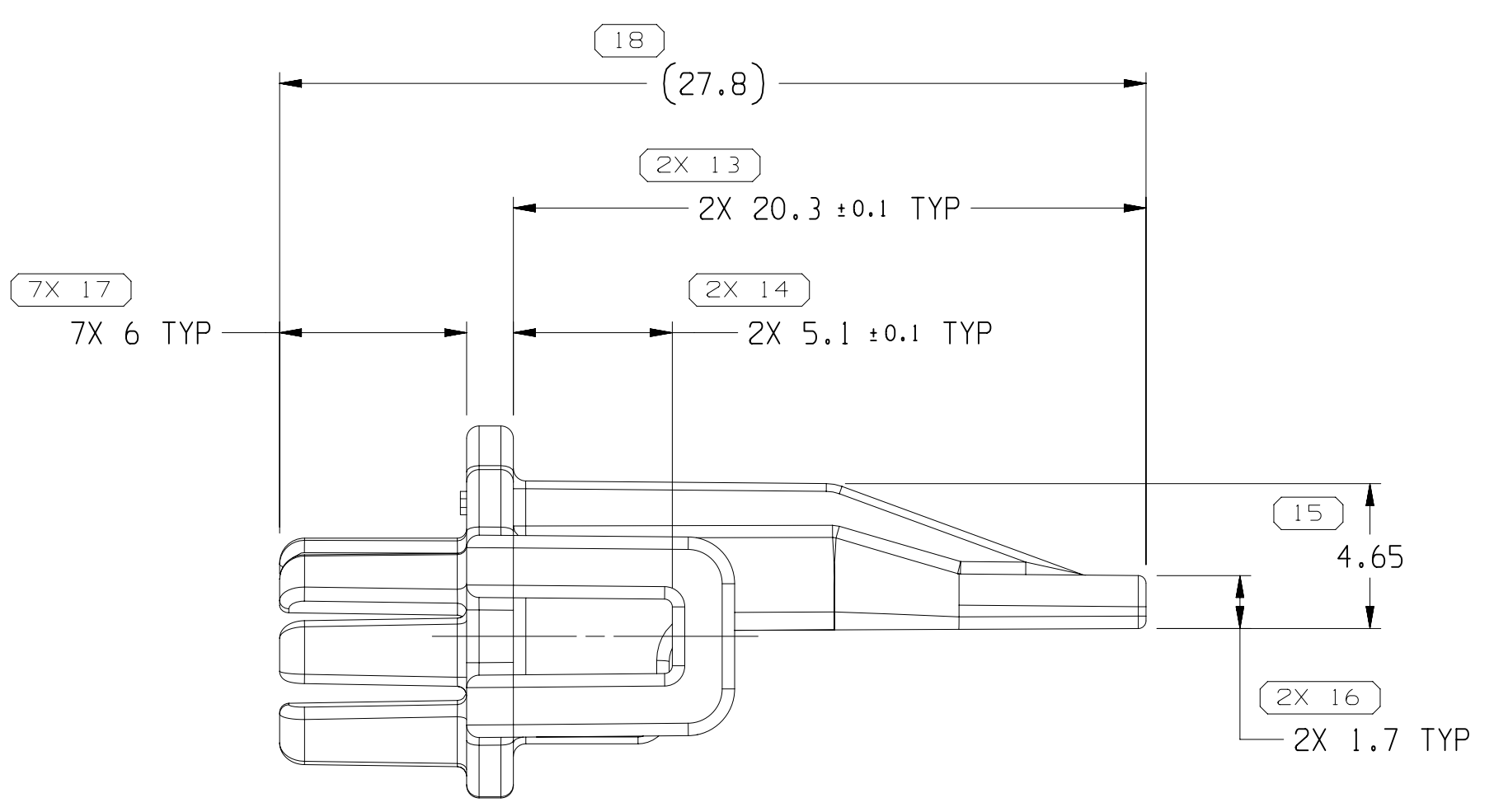
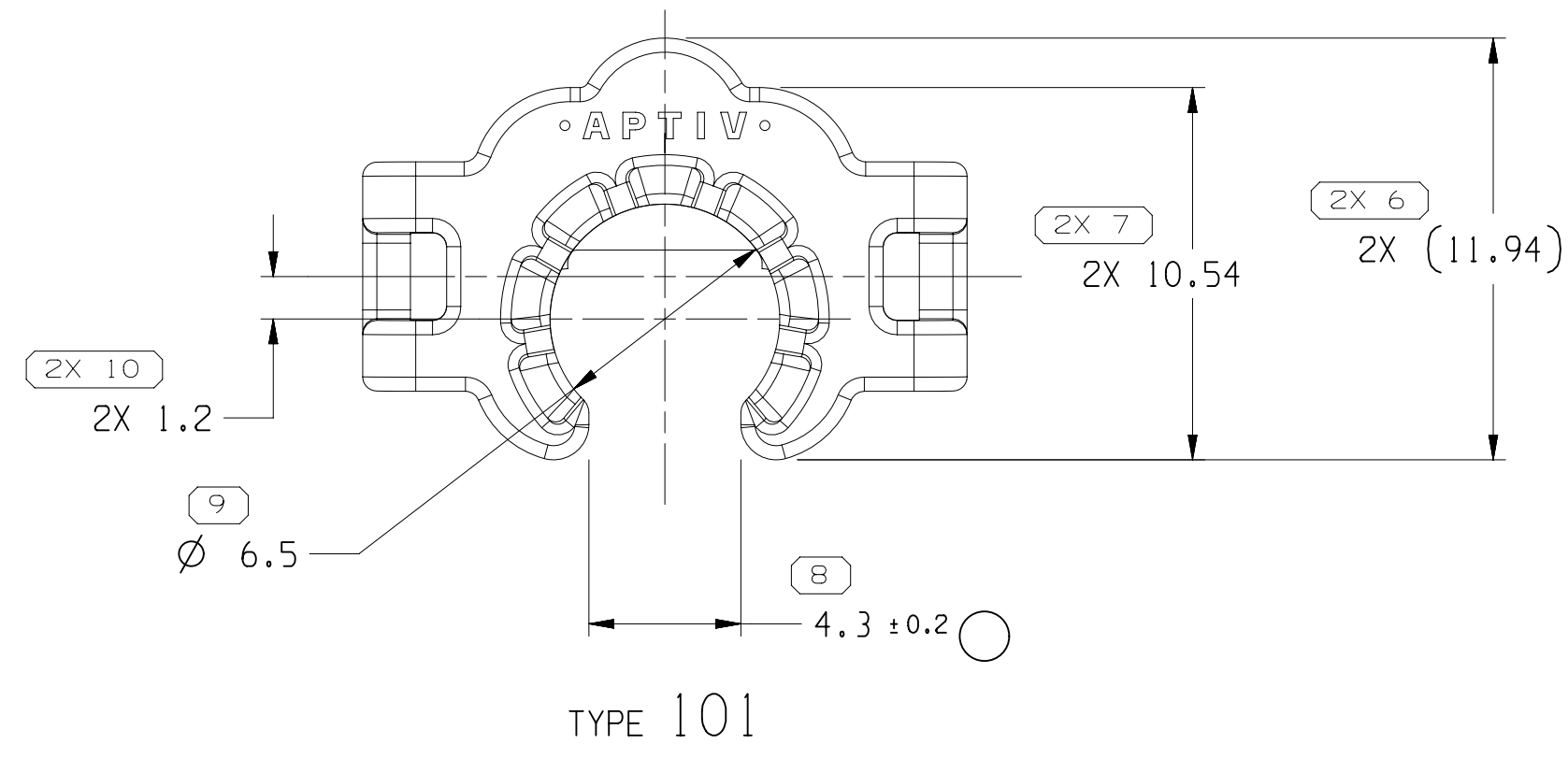
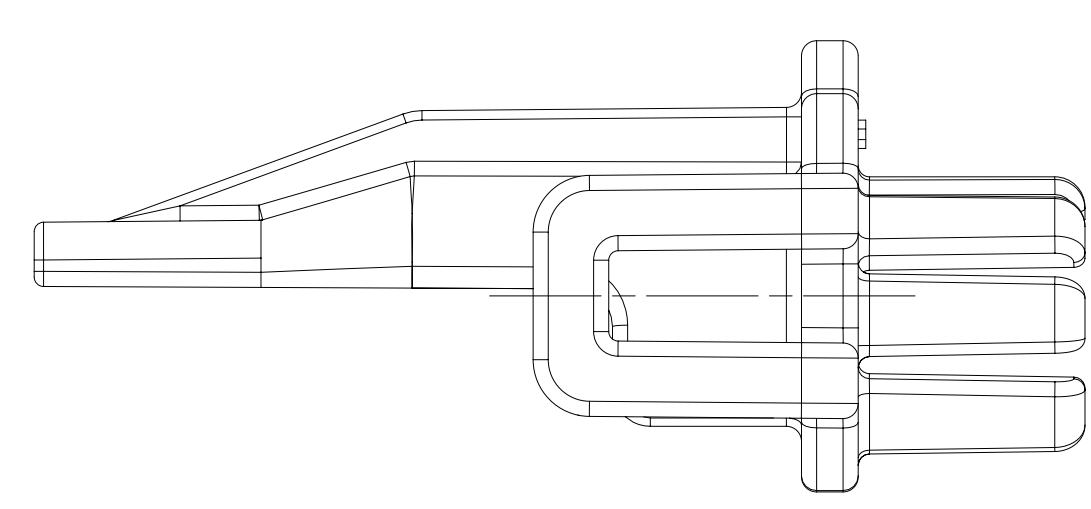
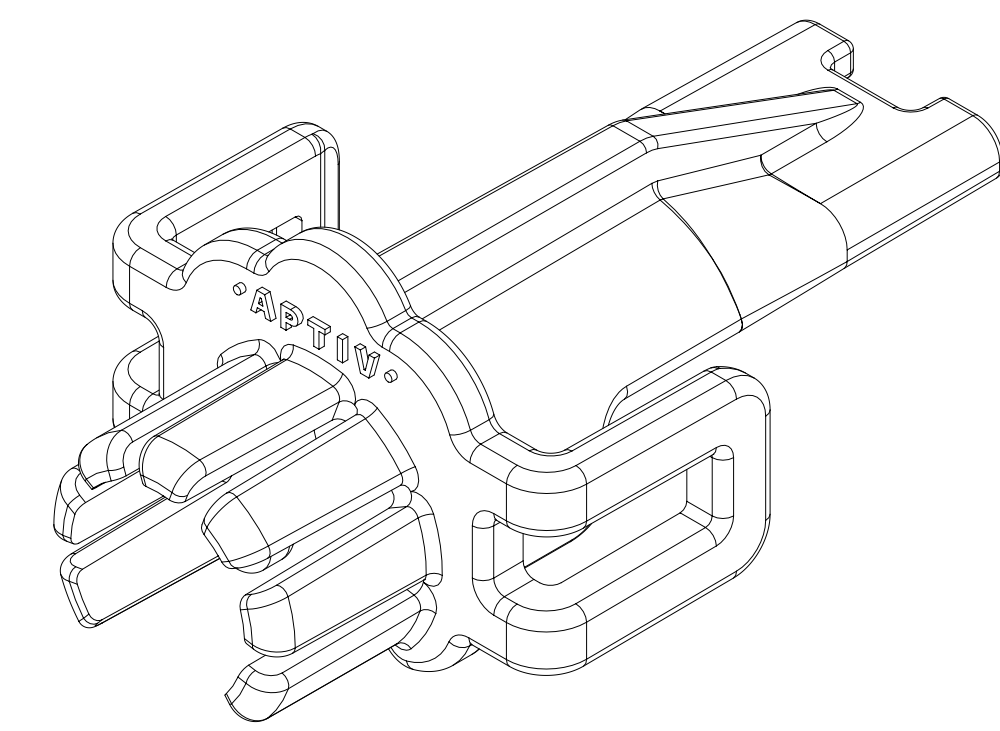
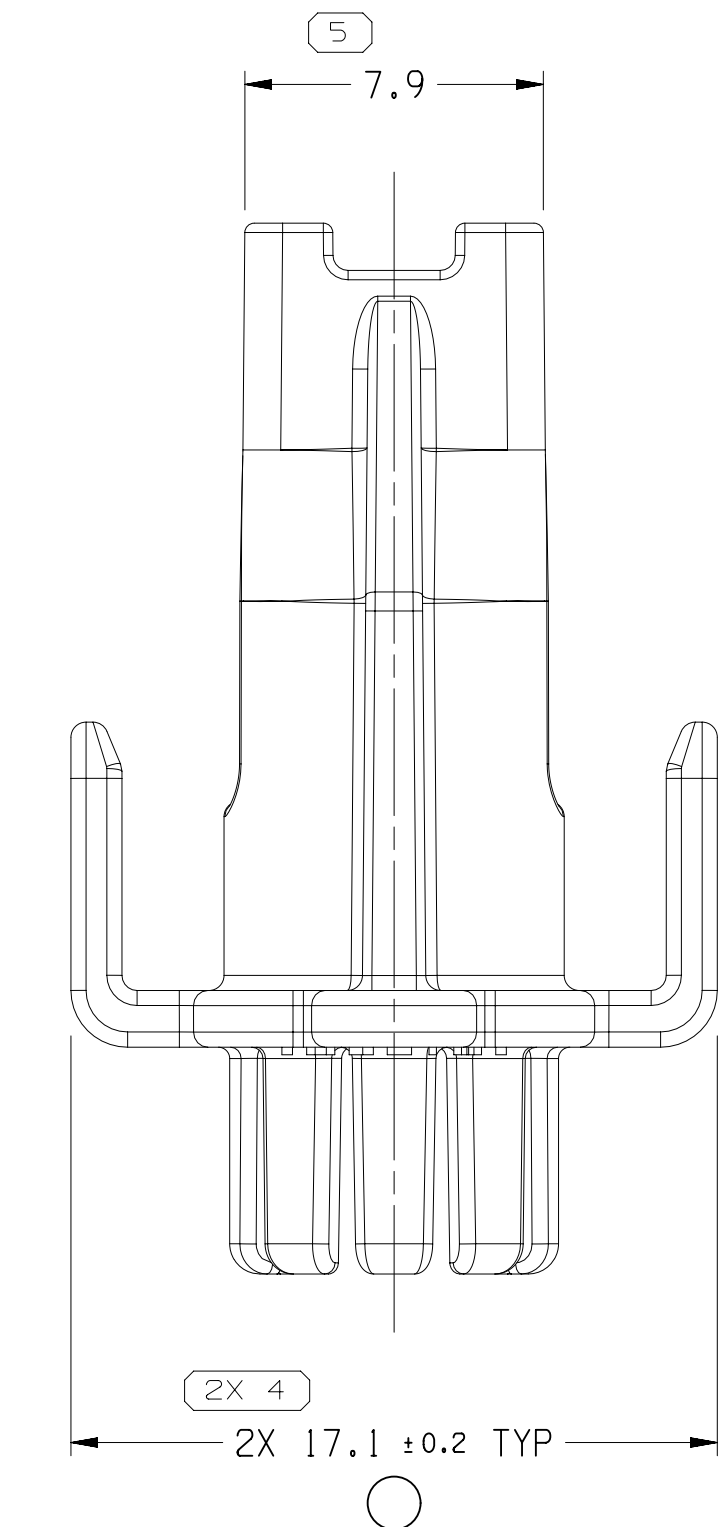
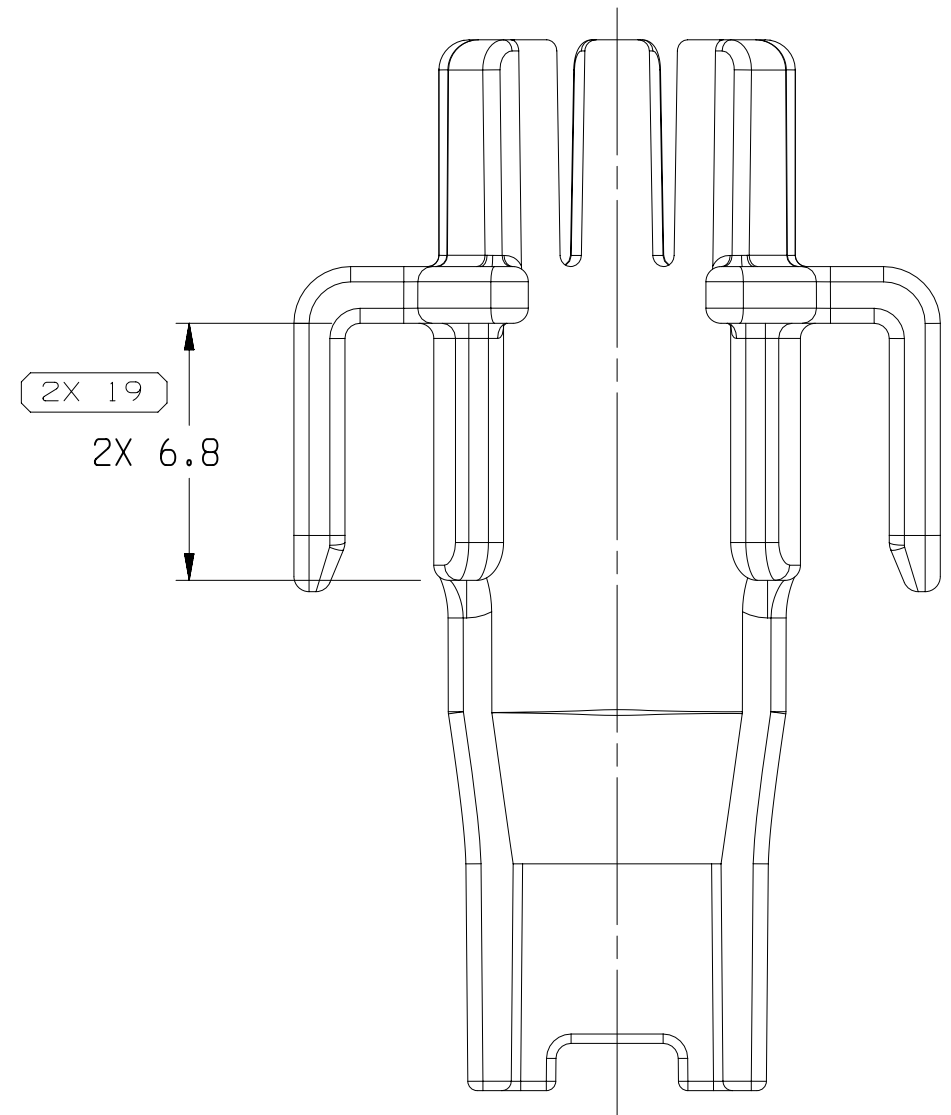


SYMBOL DEFINITION		TOTAL NO OF INSPECTIONS REQUIRED	33
A DIMENSION WITHOUT AN INSPECTION REPORT SYMBOL DOES NOT REQUIRE INSPECTION. IT MAY BE CONTROLLED ON THE INDIVIDUAL COMPONENT DRAWING.		LAST NO. USED	20

DWG STATUS	DATE	STG	REV	N/P	CHG	ZONE	REVISION HISTORY	AUTH	DR	APVD	APVD
	27JL12	R	01	-	-		13973365 - WAS PE233284, REVISED & RELEASED; 13973366 - WAS PE233744, REVISED & RELEASED	419083	MLM	MLM	GER
	17AP13	R	02	-	-		13973365 - ADDED DIM #20; 13973366 - ADDED DIM #21; ALL PARTS - REVISED GRAPHICS	421825	EVV	EVV	KST
	18JL13	R	03	-	-		ALL PARTS - UPDATED PART AVAILABILITY, REMOVED CABLE ID, DIM AND CORRECTED HEADER NAME & REVISED INFO TO CABLE O.D. COLUMN ON CHART	423312	JLP	JVM	KST
	01N021	R	04	-	-		ALL PARTS - CONNECTOR WAS 13975461 IN REFERENCE MATING COMPONENTS NOTE AND REVISED LOGO	555685	LVD	EVV	LES
	240C22	R	05	-	-		ALL PARTS - 2X 17.1 ± 0.2 TYP WAS 2X 17.1 TYP & 14.4 ± 0.1 WAS 14.7 ± 0.1 AND RELOCATED DIM #12; 13973365 - 4.3 ± 0.2 WAS 4.3	557637	LVD	EVV	LES



TYPE 102
SAME AS TYPE 101
EXCEPT AS SHOWN



- NOTES
- UNLESS OTHERWISE SPECIFIED AND/OR INDICATED:
 - DIMENSIONS ARE TO FACE OF VIEW SHOWN AND AUTOMATICALLY ROUNDED BY COMPUTER FOR INSPECTION (SEE MATH MODEL FOR PRECISE DIMENSIONS). FOR ALL OTHER DIMENSIONS NOT SHOWN BUT REQUIRED FOR TOOL BUILD, SEE MATH MODEL FOR PRECISE TOOL PATH DATA.
 - THIS PRODUCT IS NOT CATEGORIZED AS AN APPEARANCE ITEM, MINOR IMPERFECTIONS INCLUDING, BUT NOT LIMITED TO, FLOW MARKS, COLOR BLEMISHES, GATE VESTIGE, AND SOFT FLASH THAT DO NOT AFFECT THE FIT, FORM, OR FUNCTION OF THE PART ARE PERMISSIBLE PER EANP-4-3.CS-01.EN.
 - THIS PART IS NOT CONTROLLED FOR AUTOMATIC FEEDING.
 - REFERENCE MATING COMPONENTS OR EQUIVALENT:
CONNECTOR - 33119071
 - CORPORATE BRAND TO BE APPLIED TO PRODUCT DESIGN PER THE LATEST REVISION OF ESD 51085201.

A - LINE DRAWN THROUGH A PART NUMBER INDICATES THAT PHYSICAL PARTS ARE NOT AVAILABLE FOR ORDERING.		B - PROCESS SENSITIVE DIMENSION	
PART NUMBERS THAT DO NOT HAVE A LINE PRESENT INDICATE THAT PHYSICAL PARTS ARE AVAILABLE FOR ORDERING.		DIMENSIONS ENCLOSED IN (B) INDICATE REFERENCE DIMENSIONS AND NO TOLERANCE LIMITS ARE ESTABLISHED	
CONTACT APTIV SALES TO ASSURE AVAILABILITY OF PARTS.		THIRD ANGLE PROJECTION	
UNLESS OTHERWISE SPECIFIED THIS DOCUMENT IS IN ACCORDANCE WITH ASME Y14.5M-1994 AS MODIFIED BY THE 2018 GLOBAL DIMENSIONING AND TOLERANCING ADDENDUM-2009. SEPARATE PATTERNING OF FEATURES MAY BE AWARDED SEPARATELY REGARDLESS OF DATUM REFERENCES.		DO NOT SCALE USE MATH DATA	
ALL DIMENSIONS ARE IN MILLIMETERS		NX	

• APTIV •
CONNECTION SYSTEMS
WARREN, OH
COPYRIGHT 2012 APTIV. ALL RIGHTS RESERVED.
THIS DRAWING IS THE PROPERTY OF APTIV AND CONTAINS APTIV CONFIDENTIAL INFORMATION. THE REPRODUCTION, DISTRIBUTION AND UTILIZATION OF THIS DOCUMENT OR ITS RELATED CAD DATA, AS WELL AS COMMUNICATION OF ANY CONTENT TO OTHERS, WITHOUT EXPRESS AUTHORIZATION, IS PROHIBITED.

DR	DATE
APVD1 M. MELLOTT	27JL12
APVD2 M. MELLOTT	27JL12
APVD3 G. ROBISON	30JL12
APVD4	
APVD5	

MATERIAL: SEC CHART
SUBSTANCES OF CONCERN AND RECYCLED CONTENT PER APTIV 10949001

DRAWING NAME: TAXI LOCK SECONDARY TPA/CVR
DRAWING NUMBER: 13973364

SIZE: A0 SCALE: 5:1 FRAME NO: 1 OF 1 SHEET NO: 1 OF 1 STG REV: 05

PART NO	REV	N/P	MATERIAL SPECIFICATION AND COLOR	TYPE	VOLUME (CM ³)	CABLE O.D. (MM)
13973366	05	-	POLYESTER COMPOUND BLACK	102	0.662	6.5 - 6.95
13973365	05	-	POLYESTER COMPOUND GRAY	101	0.620	5.4 - 6.4

DIMENSIONS (MM)	CHART	ET
FROM 0 TO 20	> 30	> 70
20 TO 30	> 100	> 150
30 TO 50	> 200	> 250
50 TO 100	> 300	> 400
TOLERANCE (UNLESS OTHERWISE SPECIFIED)		
±0.15 ±0.2 ±0.3 ±0.4 ±0.5 ±0.6 ±0.8 ±1 ±1.2		
ANGULAR TOLERANCE: ±2°		