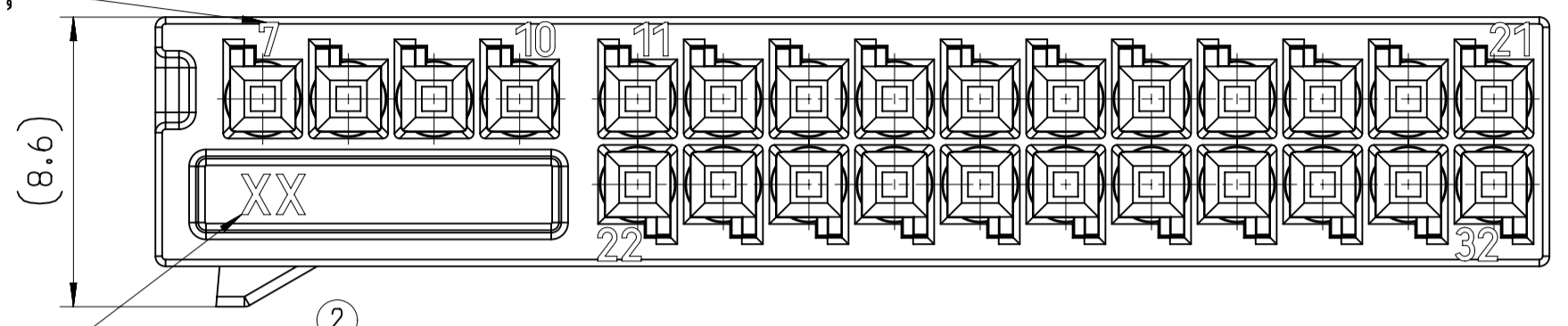


CAVITY	TERMINAL	CROSS SECTION	PART-NO.:	MATERIAL	SURFACE
7-10	MTS 0.64	0.35-0.5 mm ²	15440183	X12CrNi 177 CuNiSi	AU
11-32	MTS 0.64	0.35-0.5 mm ²	15440179	X12CrNi 177 CuNiSi	SN

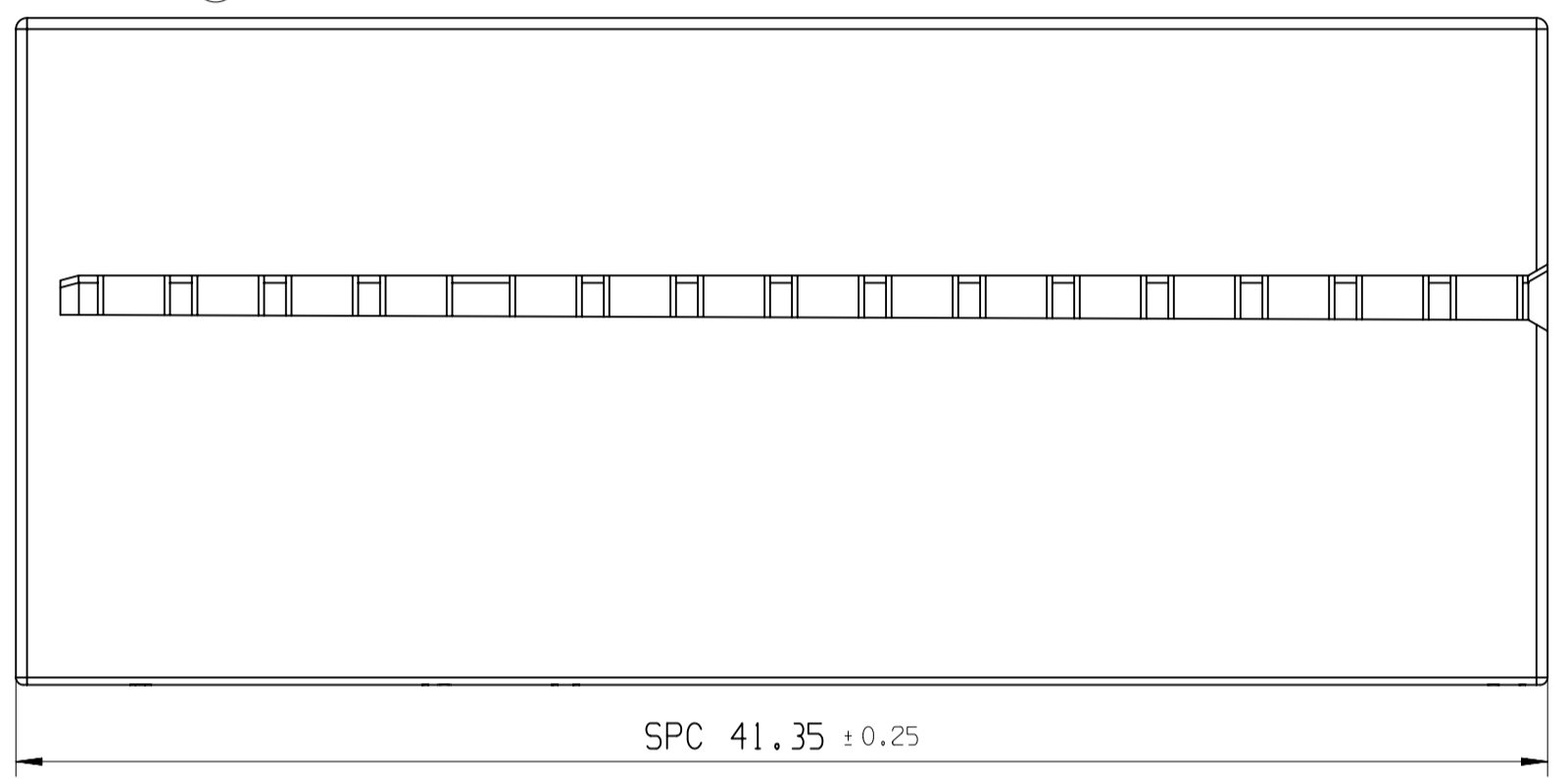
PART-NO.:	PART-REV	DATE	MATERIAL	SIMILAR TO RAL
15536566	02	26FE19	PBT-GF20 BLK	9011

DWG STATUS					ZONE	REVISION HISTORY	AUTH	DR	APVD 1	APVD 2
DATE	STG	REV	N/P	CHG						
07MR13	R	01				INITIAL RELEASE		P.LES	M.MLE	M.SKR
26FE19	R	02	--		E6	LOCKING FEATURE CHANGED		K.ZDZ	P.LES	M.SKR

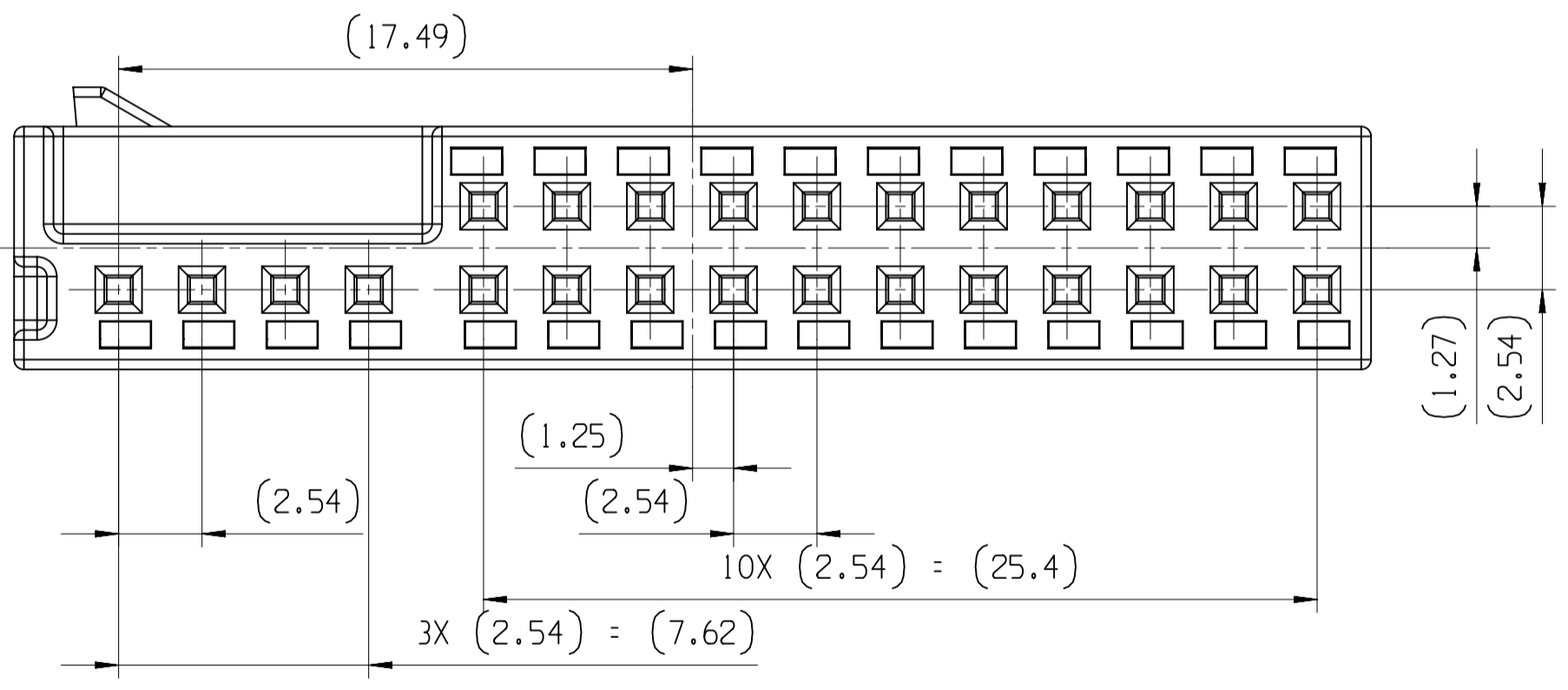
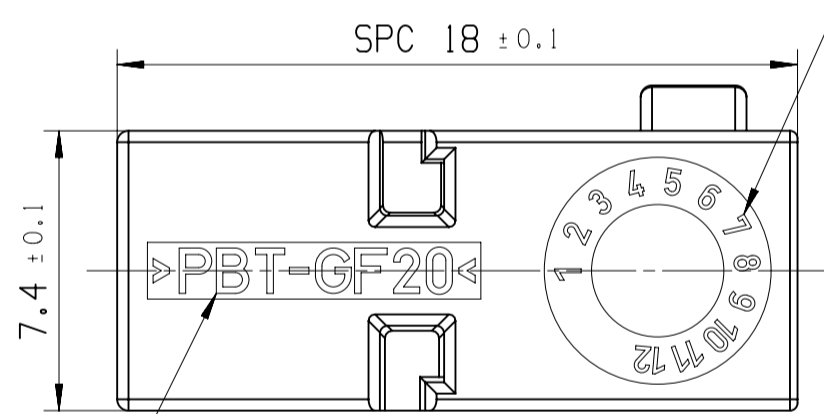
PART CAVITY NUMBER / FORMAT
ACCORDING TO DIN 1451; H=1.0 MM;
LETTERS 0.15 MM RECESSED



TOOL CAVITY NUMBER / FORMAT
ACCORDING TO DIN 1451; H=1.2 MM
LETTERS 0.15 MM RAISED

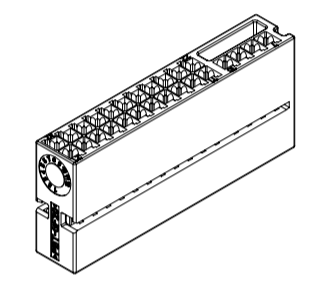


DATE INSERT SIMILAR FIRM HASCO Z 485/6/1;
HAS TO BE THE MANUFACTURING DATE



MATERIAL NAME ACCORDING TO VDA 260 /
FORMAT ACCORDING TO DIN 1451; H=1.6 MM

SCALE:
1 : 1



DWG TYP PART DRAWING	
WEIGHT (GR) 3.86	DISTR CODE
VOLUME (CM ³) 2.61	
ROUTING	

UNLESS OTHERWISE SPECIFIED
GENERAL TOLERANCES
ACCORDING TO:
SEE CHART
GD&T
ACCORDING TO:
ISO 1101

REFERENCE
FIRST ANGLE PROJECTION

DO NOT SCALE
USE MATH DATA
CAD
NX

• APTIV •

CONNECTION SYSTEMS
KRAKOW, POLAND

COPYRIGHT 2013 APTIV. ALL RIGHTS RESERVED.
REVISED 2013

THIS DRAWING IS THE PROPERTY OF APTIV AND CONTAINS APTIV
CONFIDENTIAL INFORMATION. THE REPRODUCTION, DISTRIBUTION AND
UTILIZATION OF THIS DOCUMENT OR ITS RELATED CAD MATH DATA, AS WELL
AS COMMUNICATION OF ANY CONTENT TO OTHERS, WITHOUT EXPRESS
AUTHORIZATION, IS PROHIBITED.

TEN RYSUNEK JEST WLASNOSCIA APTIV I ZAWIERA POUFNE
INFORMACJE POWIELANIE, ROZPOWSZECHNIANIE I WYKORZYSTYWANIE TEGO
DOKUMENTU LUB ZWIAZANYCH Z NIM DANYCH CAD, JAK ROWNIEZ PRZEKAZYWANIE
INNYM JAKIEJKOLWIEK ICH ZAWARTOSCI, BEZ NADANIA WYRAZNYCH
UPRAWNIEN, JEST ZABRONIONE

	DR	DATE
APVD1	P.LESNIAK	06MR13
APVD2	M.MLECZKO	07MR13
APVD3	M.SIKORA	08MR13
APVD4		
APVD5		

SUBSTANCES OF CONCERN AND RECYCLED CONTENT PER APTIV 10949001
SUBSTANCJE NIEBEZPIECZNE I POWTORNIE PRZETWORZONE OKRESLA
APTIV 10949001

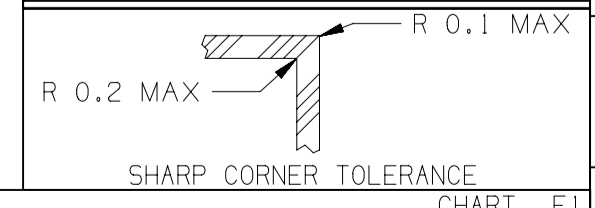
SEE CHART

DRAWING NAME
INSERT MTS 0.64 FOR RECEPTACLE HOUSING
32 WAY FOR VOLVO

DRAWING NUMBER 15536567						
SIZE A2	SCALE 5:1	FRAME NO 1 OF 1	SHEET NO 1 OF 1	STG R	REV 02	N/P

- REMARKS:
- MAXIMUM DRAFT ANGLE 0°30'
 - LETTERS AND ENGRAVINGS 0.1 MM RAISED
SIGN PLANE 0.1 MM RECESSED
 - SPC : STATISTICAL PROCESS CONTROL
 - MATING PARTS:
COVER+LEVER 32 WAY DWG-NO.: 15536575

A LINE DRAWN THROUGH A PART NUMBER
INDICATES THAT PHYSICAL PARTS ARE NOT
AVAILABLE FOR ORDERING.
PART NUMBERS THAT DO NOT HAVE A LINE
PRESENT INDICATE THAT PHYSICAL PARTS
ARE AVAILABLE FOR ORDERING.
CONTACT APTIV SALES TO ASSURE
AVAILABILITY OF PARTS.



KEY PRODUCT CHARACTERISTICS				
NO & TYPE	DESCRIPTION	RATIONALE	PTS	ZONE
(V)	SAFETY/COMPLIANCE	FIT/FUNCTION	TOTAL ON DRAWING	0
(K)	S/C CHECKPOINTS	F/F CHECKPOINTS	LAST NO. USED	0
-	-	-	-	-

DIM TO CHECK	DIMENSIONAL RANGE (MM)										CHART	E1	
	FROM	> 0	> 20	> 30	> 70	> 100	> 150	> 200	> 250	> 300			> 300
() DIM FOR HELP		±0.15	±0.2	±0.3	±0.4	±0.5	±0.6	±0.8	±1	±1.2			
THEORETIC DIM		TOLERANCE UNLESS OTHERWISE SPECIFIED											
		ANGULAR TOLERANCE ±2°											