

TEILE - NR. PART - NO.	ANSCHLUSS- BEREICH CRIMP SIZE (mm ²)	CRIMP- CODE	DRAHTQUER- SCHNITT WIRE SIZE (mm ²)	ISOLATION D INSULATION D (mm)	L±0.4	DRAHTCRIMP WIRE CRIMP		ISOLATIONS CRIMP INSULATION CRIMP		LI	MVL1-NR. MVL-NO.	EINZELADERDICHUNG (EAA) SINGLE WIRE SEAL (SWS)		CRIMP- WERKZEUG NR. CRIMPING TOOL NR.
						CH _c	CW _c ±0.05	CH ₁ ±0.05	CW ₁ ±0.1			CRIMP-TYP CRIMP TYPE	FARBE COLOR	
6 001 21 11/14 6 001 29 11/14 6 001 40 11/12 6 001 42 14 6 011 05 11/14 6 011 07 11/14 6 011 07 12 F220300; F198600	>0.22-0.35	□	0.35	1.2-1.4	3.8	1.01±0.03	1.67	3.60	3.80	O-CRIMP	6 099 40 15	10779162	BLAU BLUE	6 520 04 05 REV. A
AWG 22 TXL			1.45-1.65	3.8	1.01±0.03	1.67	3.75	3.87	0.25 ±0.15					
6 001 21 31/34 6 001 29 31/34 6 001 40 31/32 6 001 42 34 6 011 05 31/34 6 011 07 31/34 6 011 07 32 F028600; F320300	0.5-1.0	□□	0.50	1.4-1.6	4.3	1.17±0.04	2.07	3.75	3.87	O-CRIMP	6 099 40 15	10779162	BLAU BLUE	6 520 04 06 REV. A
AWG 20 TXL			1.7-2.0	4.3	1.17±0.04	2.08	3.95	3.92	0.4 ±0.2					
0.75			1.7-1.9	4.3	1.20±0.04	2.08	3.95	3.87	0.4 ±0.2					
AWG 18 TXL			1.8-2.0	4.3	1.20±0.04	2.08	4.05	3.90	0.4 ±0.2					
6 001 21 41/44 6 001 29 41/44 6 001 40 41/42 6 001 42 44 6 011 05 41/44; 6 011 07 41/44 6 011 07 42 F128600; F420300	>1.0-2.5	□□□	AWG 16 TXL	2.05-2.3	4.3	1.45±0.05	2.64	3.60	4.38	O-CRIMP	6 099 40 23	10779159	ROT-BRAUN RED-BROWN	6 520 04 07 REV. B
1.50			2.2-2.4	4.3	1.55±0.05	2.65	3.60	4.25	0.4 ±0.2					
AWG 14 TXL			2.0-2.7	4.3	1.60±0.05	2.66	TBD	TBD	0.4 ±0.2					
2.00			2.3-2.55	4.3	1.58±0.03	2.65	3.75	4.25	0.4 ±0.2					
			2.50	2.7-3.0	4.3	1.75±0.05	2.68	3.75	4.30		6 099 40 34	10779161	GELB YELLOW	

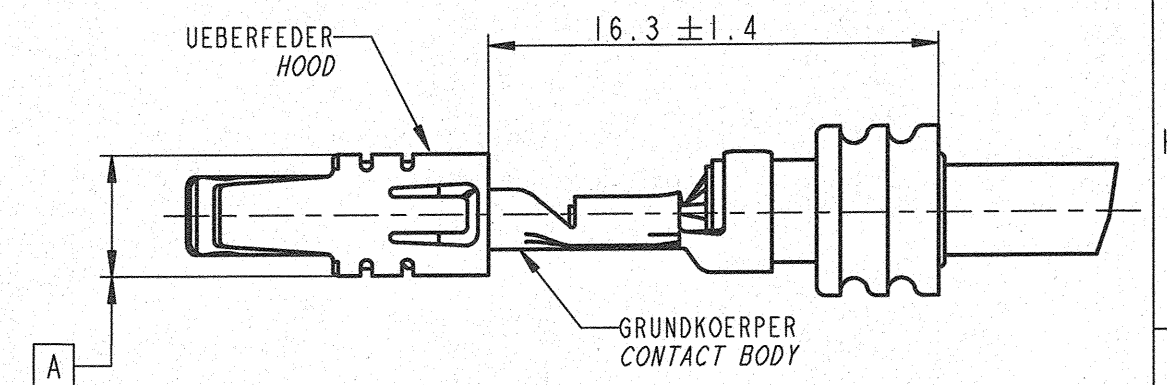


BILD 1: FLACHKONTAKT DCS2-2.8 MIT EAA
PICTURE 1: FEMALE CONTACT DCS2-2.8 WITH SWS

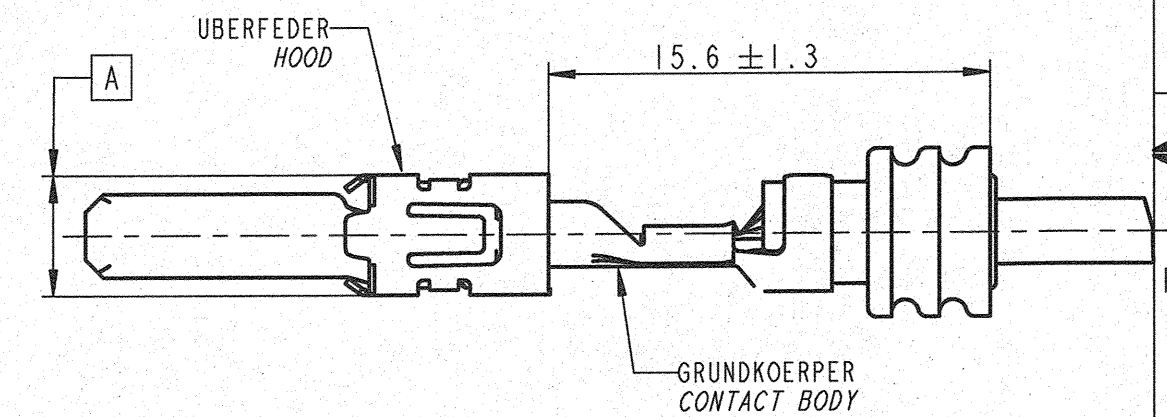
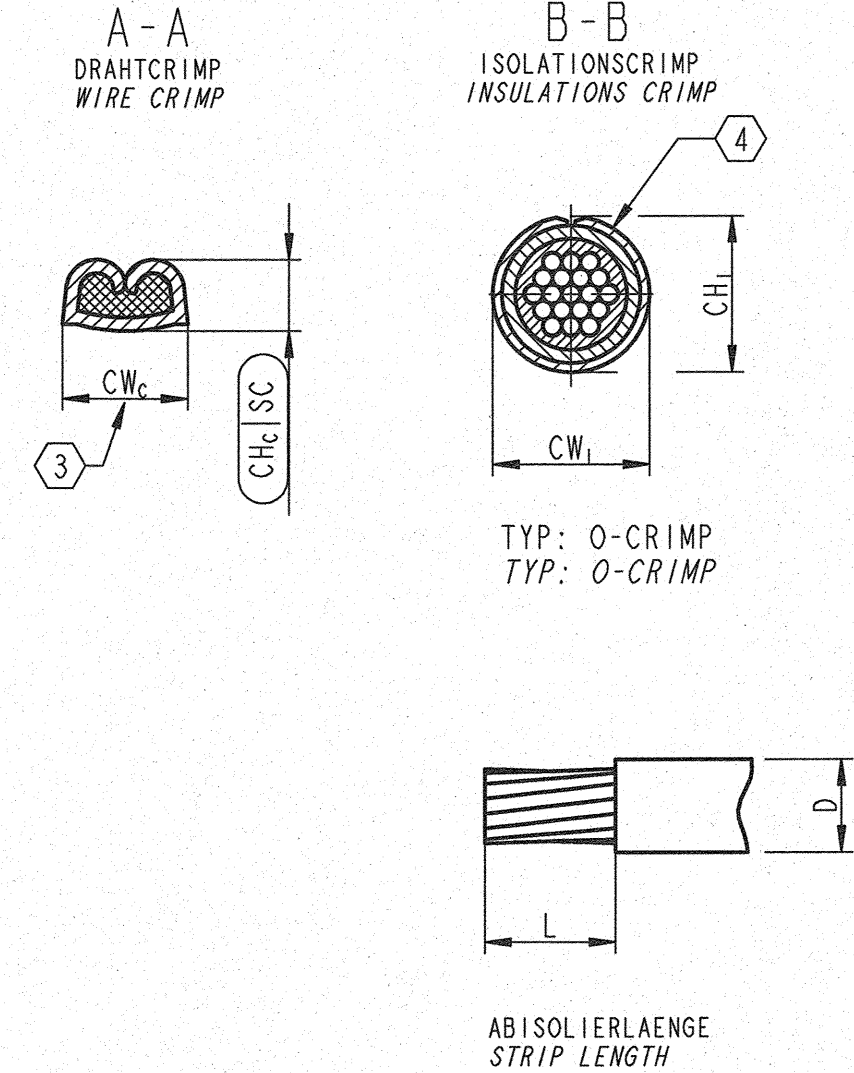
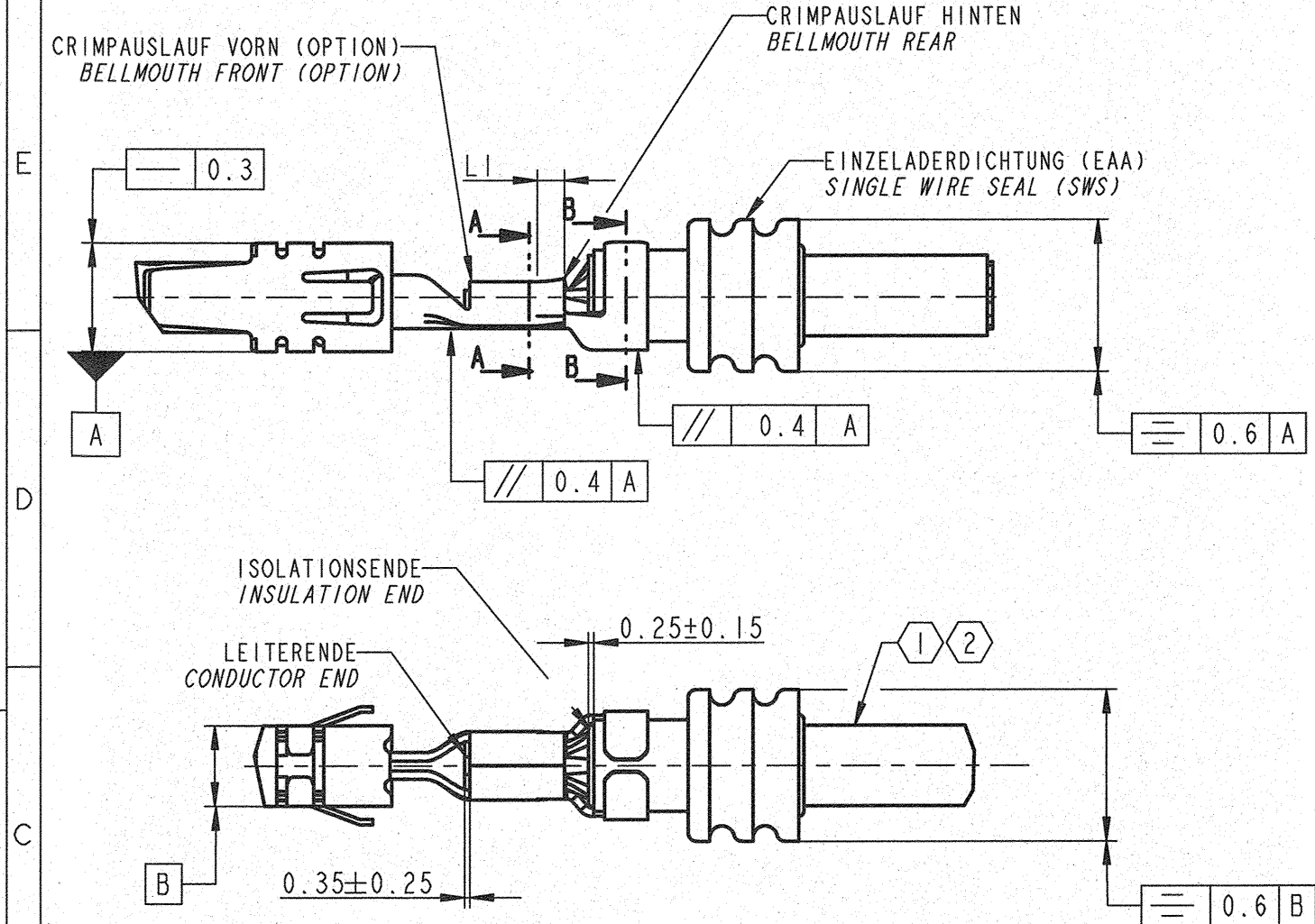


BILD 2: FLACHSTECKER DCS2-2.8 MIT EAA
PICTURE 2: MALE CONTACT DCS2-2.8 WITH SWS



BEMERKUNGEN / NOTES

① LEITUNGEN NACH / WIRE TYPES TO: FLR DIN 72551-6 AUSGENOMMEN 2mm² und AWG-LEITUNGEN / EXCEPT WIRE SECTION 2mm² AND AWG-CABLES

② AUSREISSKRAFT DES LEITERS AUS DEM DRAHTCRIMP SIEHE: / EXTRACTION FORCE OF WIRE OUT THE WIRE CRIMP SEE: DIN EN 60 352-2.

③ CW_c EFFEKTIVE CRIMPBREITE DRAHTCRIMP / EFFECTIVE CRIMP WIDTH WIRE CRIMP

④ DIE VERWENDUNG DER EINZELDICHUNGEN IST ABHÄNGIG VOM ISOLATIONS-DURCHMESSER DER LEITUNG UND NICHT VOM LEITUNGSQUERSCHNITT. DURCH DEN CRIMPVORGANG DARF DIE EINZELDICHUNG IM BEREICH DES BUNDDURCHMESSERS NICHT EINGESCHNITTEN ODER VERLETZT WERDEN. DRUCKSTELLEN UND MARKIERUNGEN SIND ZULAESSIG, WENN SIE NICHT ZUR RISSBILDUNG ODER DURCHTRENNEIN DER DICHUNG FUEHREN.
THE APPLICATION OF SINGLE WIRE SEALS IS DEPENDS ON THE INSULATION DIAMETER AND NOT FROM THE WIRE SECTION. AFTER CRIMPING THE SWS DO NOT HAVE VISIBLE CUTS OR NOTCHES AROUND THE DIAMETER OF COLLAR. ONLY PRESSURE POINTS OR MARKS ALLOWED, WHICH CAN NOT CAUSE TEARING OR SPLITTING OF IN THE LONG TERM.

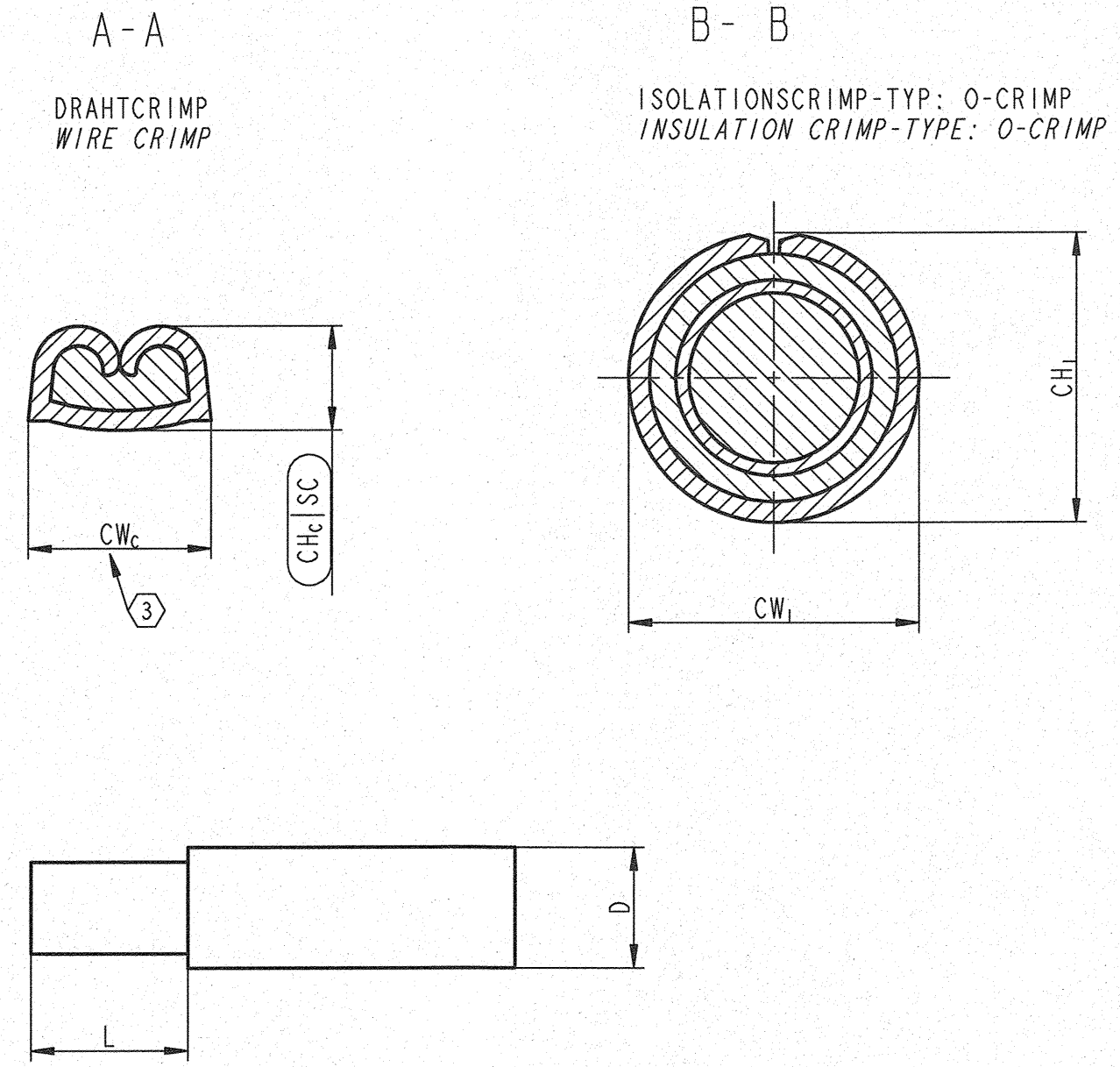
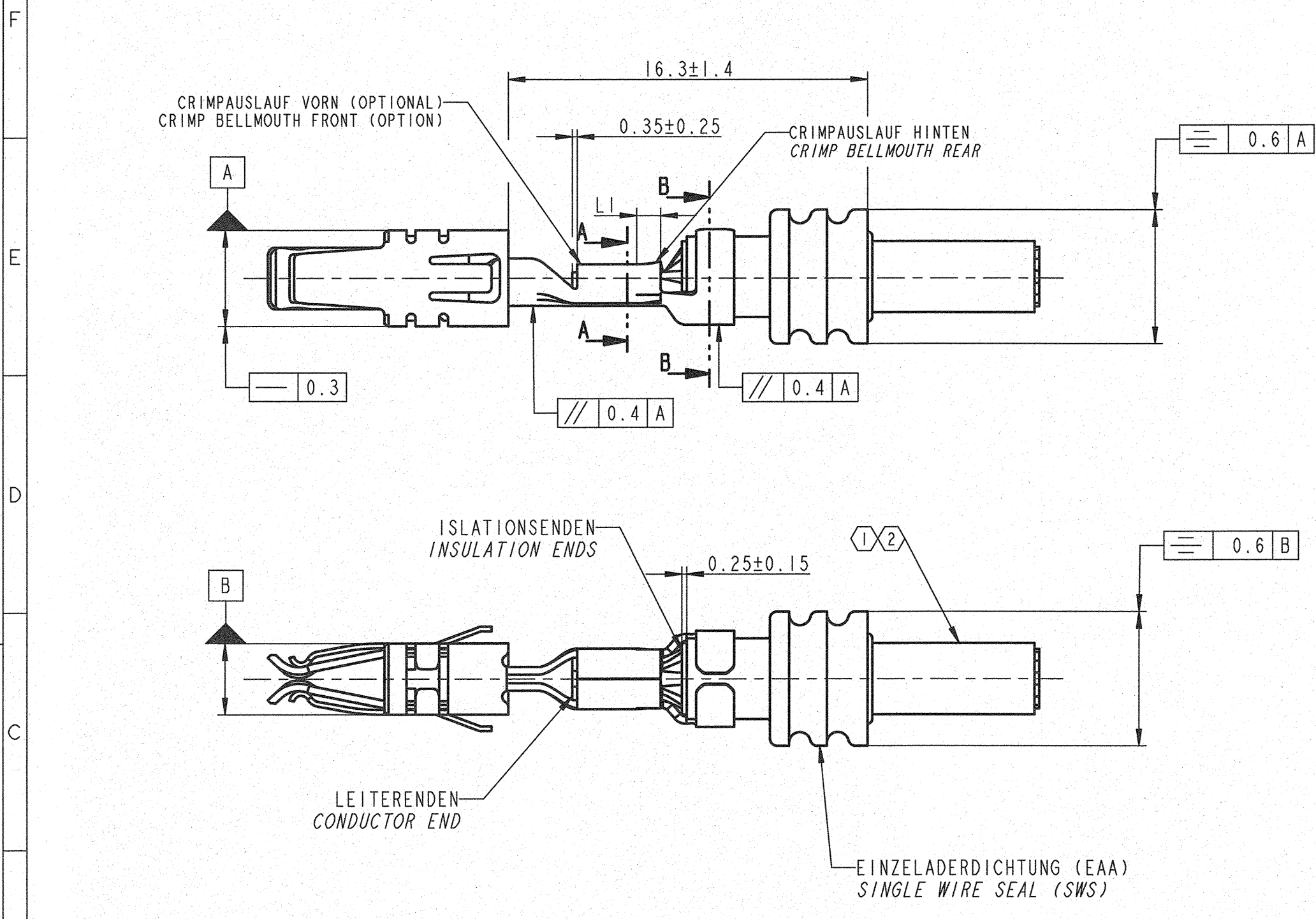
⑤ ES GELTEN DIE ALLGEMEINEN RICHTLINIEN ZUR VERARBEITUNG VON KONTAKTEN MIT OFFENEN CRIMPHUELSEN NACH DELPHI-VERARBEITUNGSSPEZIFIKATION: 9 902 00 20
GENERAL GUIDELINES FOR THE APPLICATION OF CONTACTS WITH OPEN CRIMP BARRELS IS INVALID TO DELPHI SPECIFICATION: 9 902 00 20

- Pruefmasz
Check dimension
- 100% Pruefmasz (100% Pruefung)
Check dimension (100% Check)
- ISC Sicherheitsrelevantes Masz
Significant characteristic

ECN-NO. ECN NUMBER	DATE DATUM	DD / MM / YY REVISION INDEX	POSITION	CHANGE DESCRIPTION ÄNDERUNG	DRAWN BY GEZ.	CHK. BY GEZ.	APPR. BY GEZ.
16-17304	03.03.16	N		NEW REVISION ADAPT TO NEW UPDATES ON PAGE 6	P. Nuetzel	R. Reger	St. Müller
15-13782	26.11.15	M		Part no. F198600 added; Crimp type for (>0.22-0.35)mm ² was corrected to O-Crimp; CH ₁ and CW ₁ for 2mm ² were added; error for coaxiality with value 1 were deleted and substitute by error of symmetric; deviation of straightness was added insul.-Ø for 2mm ² was 2.5-2.7 mm; view wrap crimp was deleted	P. Nuetzel	R. Reger	St. Müller
14-02721	25.02.14	A		NEW REVISION ADAPT TO NEW UPDATES ON PAGE 2; 3; AND 5	St. Müller	P. Nuetzel	F. Pacher
13-00829	16.07.13	A		CH _c was for 0.35mm ² 1.06±0.03; CH _c was for 1mm ² 1.35±0.05; CH _c was for 0.75mm ² 1.27±0.05; CH _c was for 0.5mm ² 1.2±0.05 CW _c had tolerance+0.25 and were reworked for all versions; CH ₁ had no tolerance field; CW ₁ values were as follow: 0.35mm ² : 3.8 ^{+0.2} ; (0.5-1)mm ² : 3.8 ^{+0.25} (>1-2.5)mm ² : 4.2 ^{+0.25} ; CH ₁ was as follow: for 0.35mm ² 3.9±0.1; for AWG22 TXL (3.8); for 0.5mm ² 3.9±0.15; for AWG20 TXL (3.9); for 0.75mm ² 4±0.15; for AWG18 TXL (3.9); for 1mm ² 4.1±0.15; for AWG16 TXL (4.2); for 1.5mm ² (4.2); for AWG14 TXL (4.2); for 2mm ² (4.2); for 2.5mm ² (4.2); row with Veritas numbers were substitute by Delphi numbers; row application spec. was deleted; note point 4 was reworked; row insulation crimp type was added; revision no, for crimp appli. 6 520 04 07 was A	St. Müller	S. Weiss	J. Muehlmichel

PRODUCT SPEC. PRODUKT SPEZIFIK.	PACKAGING SPEC. VERPACKUNGS SPEZIFIK.	APPLICATION SPEC. ANWENDUNGS SPEZIFIK.	COPYRIGHT DELPHI CORPORATION AND/OR ITS AFFILIATES. ALL RIGHTS RESERVED. REVISED THIS DRAWING IS THE PROPERTY OF DELPHI CORPORATION. THE REPRODUCTION, DISTRIBUTION AND UTILIZATION OF THIS DOCUMENT OR ITS RELATED CAD DATA, AS WELL AS COMMUNICATION OF ANY CONTENT TO OTHERS, WITHOUT EXPRESS AUTHORIZATION IS PROHIBITED.
TOLERANCES DIN ISO 2768-mH DIN ISO 1101	MATERIAL: MATERIAL: ...	SURFACE FINISH OBERFLÄCHE	DELPHI DELPHI PACKARD ELECTRICAL/ELECTRONIC ARCHITECTURE NUREMBERG GERMANY
COUNTERPART NO. GEGENSTÜCK NR.	COLOR: FARBE: ...	ECO Loc. Code STANDORT CODE GN	DIMENSION IN MILLIMETERS BEMASSUNG IN MILLIMETERN
DO NOT SCALE DRAWING ZEICHNUNG NICHT VERMESSEN	TOOL NO. WERKZEUG NR.	DRIVING NUMBER ZEICHN. NUMMER	PROJ. NO. 9 084 11 00
DRAWN BY GEZ. 21.02.14 ST. Müller	TITLE BENENNUNG CRIMP- SPECIFIC. MALE- AND FEMALE DCS2-2.8 FOR APPLICATION WITH SWS	FILE NAME DATEI NAME 90841100.N	SCALE M: 10:1
CHECKED BY GEZ. 21.02.14 P. Nuetzel	ESR NO. ESR NUMBER	CAT. NO. KATALOG NR.	
APPROVED BY GEZ. 24.02.14 S. Weiss			

TEILE - NR. PART - NO.	ANSCHLUSS- BEREICH CRIMP SIZE (mm ²)	CRIMP- CODE	DRAHTQUER- SCHNITT WIRE SIZE (mm ²)	ISOLATION D INSULATION D (mm)	DRAHTCRIMP WIRE CRIMP		ISOLATIONSCRIMP INSULATION CRIMP		LI	EINZELADERDICHUNG (EAA) SINGLE WIRE SEAL (SWS)			CRIMP- WERKZEUG NR. CRIMPING TOOL NR.	
					CH _C	CW _C ±0.05	CH _I ±0.05	CW _I ±0.1		CRIMP-TYP CRIMP TYPE	MVL-NR. MVL-NO.	DELPHI NO.		FARBE COLOR
33400871; 33522784; 33522783; 33522782; 33400872; F622510; F722510; F822510	>0.22-0.35	1	0.35	1.2-1.4	1.01±0.03	1.67	3.60	3.80	0.25 ±0.15	6 099 40 15	10779162	BLAU BLUE	6 520 04 46	
33400873; 33400874; 33523143; 33523144; 33523145; F922510; F132510; F032510	0.5-1.0	2	0.50	1.4-1.6	4.3	1.17±0.04	2.07	3.75	0.4 ±0.2	6 099 40 15	10779162	BLAU BLUE	ZEICHNUNG 9 001 07 10 5.2±0.15	
			AWG 20 TXL	1.7-2.0	4.3	1.17±0.04	2.08	3.95						3.92
			0.75	1.7-1.9	4.3	1.20±0.04	2.08	3.95						3.87
			AWG 18 TXL	1.8-2.0	4.3	1.20±0.04	2.08	4.05						3.90
33400875; 33400876; 33523146; 33523147; 33523148; F232510; F332510; F432510	>1.0-2.5	3	AWG 16 TXL	2.05-2.3	4.3	1.45±0.05	2.64	3.60	0.4 ±0.2	6 099 40 23	10779159	ROT-BRAUN RED-BROWN	6 520 04 39	
			1.50	2.2-2.4	4.3	1.55±0.05	2.65	3.60						4.25
			AWG 14 TXL	2.0-2.7	4.3	1.60±0.05	2.66	TBD						TBD
			2.00	2.3-2.55	4.3	1.58±0.03	2.65	3.75						4.25
			2.50	2.7-3.0	4.3	1.75±0.05	2.68	3.75	4.30	6 099 40 34	10779161	GELB YELLOW		



BEMERKUNGEN / NOTES

① LEITUNGEN NACH I WIRE TYPES TO: FLR DIN 72551-6 AUSGENOMMEN 2mm² und AWG-LEITUNGEN / EXCEPT WIRE SECTION 2mm² AND AWG-CABLES

② AUSREISSKRAFT DES LEITERS AUS DEM DRAHTCRIMP SIEHE: / EXTRACTION FORCE OF WIRE OUT THE WIRE CRIMP SEE: DIN EN 60 352-2.

③ CW_C EFFEKTIVE CRIMPBREITE DRAHTCRIMP / EFFECTIVE CRIMP WIDTH WIRE CRIMP

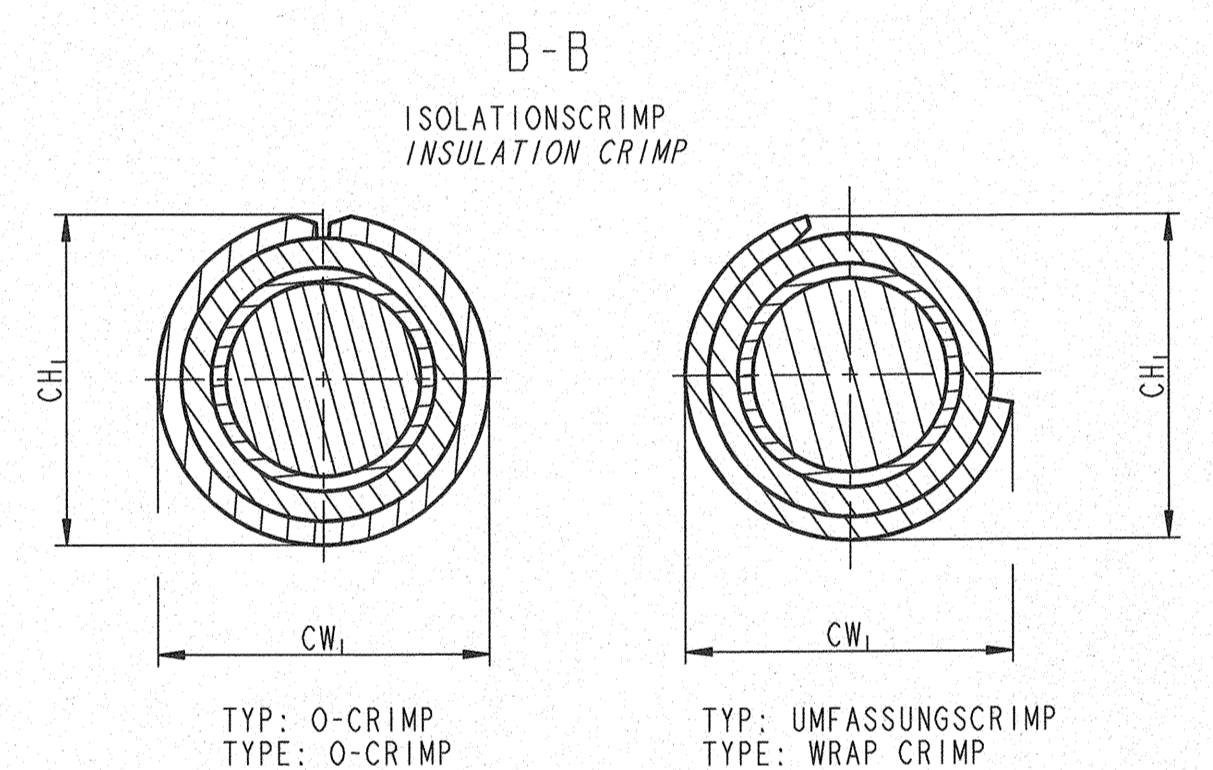
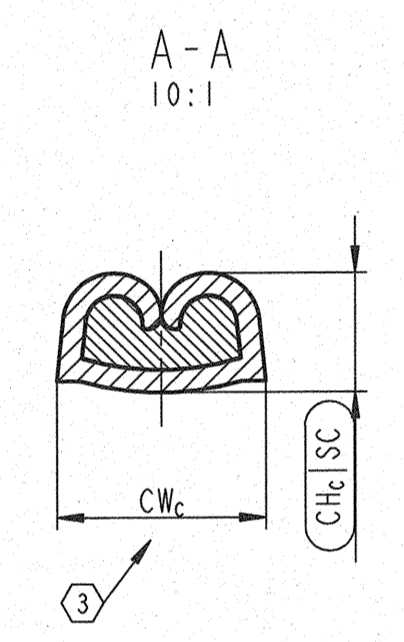
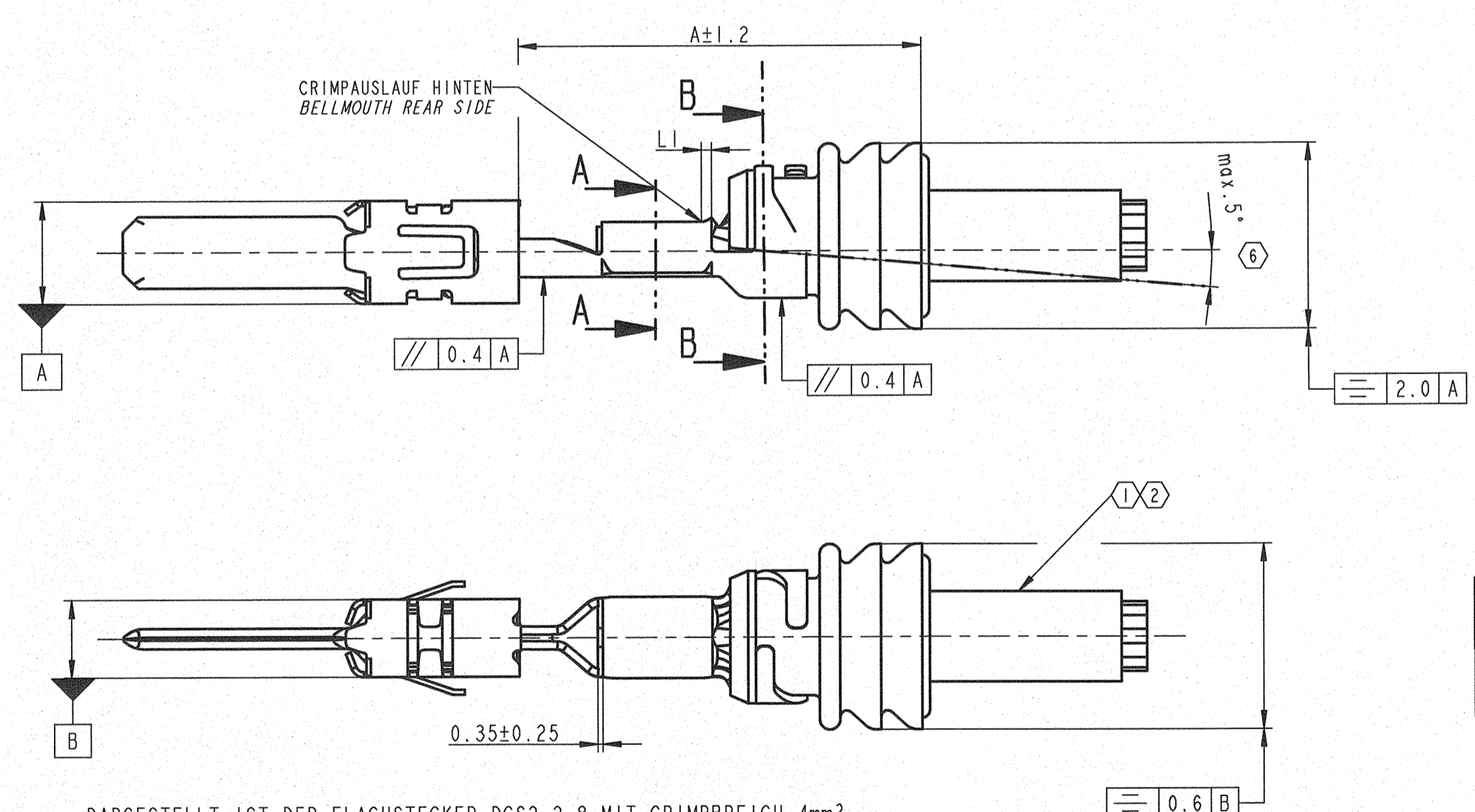
④ DIE VERWENDUNG DER EINZELDICHUNGEN IST ABHÄNGIG VOM ISOLATIONSDURCHMESSER DER LEITUNG UND NICHT VOM LEITUNGSQUERSCHNITT. DURCH DEN CRIMPVORGANG DARF DIE EINZELDICHUNG IM BEREICH DES BUNDDURCHMESSERS NICHT EINGESCHNITTEN ODER VERLETZT WERDEN. DRUCKSTELLEN UND MARKIERUNGEN SIND ZULAESSIG, WENN SIE NICHT ZUR RISSBILDUNG ODER DURCHTRENNEN DER DICHTUNG FUEHREN. THE APPLICATION OF SINGLE WIRE SEALS IS DEPENDS ON THE INSULATION DIAMETER AND NOT FROM THE WIRE SECTION. AFTER CRIMPING THE SWS DO NOT HAVE VISIBLE CUTS OR NOTCHES AROUND THE DIAMETER OF COLLAR. ONLY PRESSURE POINTS OR MARKS ALLOWED, WHICH CAN NOT CAUSE TEARING OR SPLITTING OF IN THE LONG TERM.

⑤ ES GELTEN DIE ALLGEMEINEN RICHTLINIEN ZUR VERARBEITUNG VON KONTAKTEN MIT OFFENEN CRIMPHUELSEN NACH Delphi- VERARBEITUNGS-SPEZIFIKATION: 9 902 00 20 GENERAL GUIDLINES FOR THE APPLICATION OF CONTACTS WITH OPEN CRIMP BARRELS IS VALID TO FCI SPECIFICATION: 9 902 00 20

16-17304	03.03.16	N	NEW REVISION ADAPT TO NEW UPDATES ON PAGE 6	P. Nuetzel	R. Reger	St. Müller
15-13782	26.11.15	M	Table was reworked; crimp range (>0.22-0.35)mm ² with part numbers were added; crimping tool 6 520 04 46 was added; error for symmetry had value 1; insul.-Ø for 2mm ² was 2.5-2.7; reference A was B and reference B was A; deviation of straightness was added	P. Nuetzel	R. Reger	St. Müller
14-02721	25.02.14	M	FIRST EDITION/ NEW PART NUMBER FOR 2 OUT STAMP TOOL ADDED	St. Müller	P. Nuetzel	F. Pacher
ECN-NO. ECN NUMBER	DATE DATUM	DD / MM / YY REVISION INDEX	POSITION POSITION	CHANGE DESCRIPTION ÄNDERUNG		
PRODUCT SPEC. PRODUKT SPECIFIK.	PACKAGING SPEC. VERPACKUNGS SPECIFIK.	APPLICATION SPEC. ANWENDUNGS SPECIFIK.	COPYRIGHT DELPHI CORPORATION AND/OR ITS AFFILIATES. ALL RIGHTS RESERVED. REVISED THIS DRAWING IS THE PROPERTY OF DELPHI CORPORATION. THE REPRODUCTION, DISTRIBUTION AND UTILIZATION OF THIS DOCUMENT OR ITS RELATED CAD DATA, AS WELL AS COMMUNICATION OF ANY CONTENT TO OTHERS, WITHOUT EXPRESS AUTHORIZATION IS PROHIBITED.			
TOLERANCES TOLERANZEN	DIN ISO 2768-mH DIN ISO 1101	MATERIAL : MATERIAL : ...	SURFACE FINISH OBERFLÄCHE			
COUNTERPART NO. GEGENSTÜCK NR.	---	COLOUR : FARBE : ...	DELPHI DELPHI PACKARD ELECTRICAL/ELECTRONIC ARCHITECTURE NUREMBERG GERMANY			
DO NOT SCALE DRAWING ZEICHNUNG NICHT VERMESSEN	DATE DATUM	NAME NAME	TITLE BEZEICHNUNG	ECO Loc. Code STANDORT CODE	GN	---
DRAWN BY GEZ.	21.02.14	ST. Müller	CRIMP-SPECIFICATION FEMALE CONTACT	---		
CHECKED BY GEZ.	21.02.14	P. Nuetzel	DCS2-2.8 FOR APPLICATION WITH SWS	---		
APPROVED BY GEZ.	24.02.14	S. Weiss	---	---		
DRAWING NUMBER ZEICHN. NUMMER				9 084 11 00		SCALE M: 1:0
FILE NAME DATEI NAME				90841100.N		---

EUR C04 112 F29

TEILE - NR. PART - NO.	ANSCHLUSS- BEREICH CRIMP SIZE (mm ²)	CRIMP- CODE	DRAHTQUER- SCHNITT WIRE SIZE (mm ²)	ISOLATION D INSULATION D (mm)	L ±0.4	M A ±1.2	DRAHTCRIMP WIRE CRIMP		ISOLATIONS CRIMP INSULATION CRIMP		LI	EINZELADERDICHTUNG (EAA) SINGLE WIRE SEAL (SWS)			CRIMP- WERKZEUG NR. CRIMPING TOOL NR.	
							CH _C	CW _C ±0.05	CH _I ±0.1	CW _I ±0.1		CRIMP-TYP CRIMP TYPE	HERSTELLER-NR. SUPPLIER-NO.	DELPHI /MVL NO.		FARBE COLOR
6 011 05 11/14 6 011 07 11/14 6 011 07 12	>0.22-0.35	□	0.35	1.2-1.4	3.8	18,0	1.01±0.03	1.67	3.65	3.83	0- CRIMP	0.25 ±0.15	Kostal 1 08 00 58347 0	TBD	WEISS WHITE	6 520 04 05 REV. A
6 011 05 31/34 6 011 07 31/34 6 011 07 32	0.5-1.0	□□	0.50 0.75 1.00	1.4-1.6 1.7-1.9 1.9-2.1	4.3	18,0	1.17±0.04 1.20±0.04 1.25±0.04	2.07 2.08 2.08	3.75 3.95 4.15	3.88 3.90 3.97	0- CRIMP	0.4 ±0.2	Kostal 1 08 00 58347 0	TBD	WEISS WHITE	6 520 04 06 REV. A
6 011 05 41/44 6 011 07 41/44 6 011 07 42	>1.0-2.5	□□□	1.50 2.00 2.50	2.2-2.4 2.3-2.55 2.7-3.0	4.3	18,0	1.55±0.05 1.58±0.03 1.75±0.05	2.65 2.65 2.68	3.60 3.70 3.85	4.25 4.25 4.30	0- CRIMP	0.4 ±0.2	Kostal 1 08 00 58341 0	TBD	BLAU BLUE	6 520 04 07 REV. B
33401022	>2.5-4.0	4 A	3.00 4.00 4.00	3.0-3.2 3.4-3.7 3.4-3.7	4.8	15.8 17.1 15.8	1.76±0.06 1.82±0.06 1.82±0.06	3.38±0.07 3.38±0.07 3.38±0.07	TBD 5.3 5.0	TBD 5.55 5.2	UMFASSUNGS- CRIMP WRAP CRIMP	0.8±0.2	Tyco 828 985-1 Kostal 1 08 00 58313 0 Tyco 828 985-1	6 099 40 48 TBD 6 099 40 48	GRUEN GREEN ORANGE ORANGE GRUEN GREEN	6 520 04 37-S



DARGESTELLT IST DER FLACHSTECKER DCS2-2.8 MIT CRIMPBREICH 4mm²
SHOWN IS MALE CONTACT DCS2-2.8 FOR WIRE SECTION 4mm²

- BEMERKUNGEN / NOTES**
- LEITUNGEN NACH I WIRE TYPES FLR ACC. DIN 72551-6
 - AUSREISSKRAFT DES LEITERS AUS DEM DRAHTCRIMP SIEHE: I EXTRACTION FORCE OF WIRE OUT THE WIRE CRIMP SEE: DIN EN 60 352-2.
 - CW_C EFFEKTIVE CRIMPBREITE DRAHTCRIMP I EFFECTIVE CRIMP WIDTH WIRE CRIMP
 - DIE VERWENDUNG DER EINZELDICHTUNGEN IST ABHÄNGIG VOM ISOLATIONS-DURCHMESSER DER LEITUNG UND NICHT VOM LEITUNGSQUERSCHNITT. DURCH DEN CRIMPVORGANG DARF DIE EINZELDICHTUNG IM BEREICH DES BUNDDURCHMESSERS NICHT EINGESCHNITTEN ODER VERLETZT WERDEN. DRUCKSTELLEN UND MARKIERUNGEN SIND ZULAESSIG, WENN SIE NICHT ZUR RISSBILDUNG ODER DURCHTRENNEN DER DICHTUNG FUEHREN.
THE APPLICATION OF SINGLE WIRE SEALS IS DEPENDS ON THE INSULATION DIAMETER AND NOT FROM THE WIRE SECTION. AFTER CRIMPING THE SWS DO NOT HAVE VISIBLE CUTS OR NOTCHES AROUND THE DIAMETER OF COLLAR. ONLY PRESSURE POINTS OR MARKS ALLOWED, WHICH CAN NOT CAUSE TEARING OR SPLITTING OF IN THE LONG TERM.
 - ES GELTEN DIE ALLGEMEINEN RICHTLINIEN ZUR VERARBEITUNG VON KONTAKTEN MIT OFFENEN CRIMP-HUELSEN NACH DELPHI VERARBEITUNGSSPEZIFIKATION: I GENERAL GUIDELINES FOR THE APPLICATION OF CONTACTS WITH OPEN CRIMP BARRELS IS VALID TO DELPHI SPECIFICATION: 9 902 00 20
 - DER MAXIMAL ZULAESSIGE WINKEL ZWISCHEN KONTAKT- UND LEITUNGSMITTE DARF IN RICHTUNG DES CRIMPBODENS 5° BETRAGEN. ABWEICHUNGEN NACH OBEN SIND UNZULAESSIG. THE MAXIMUM ANGLE DEVIATION BETWEEN THE TERMINAL AND THE CABLE CENTRELINE TO THE CRIMP BOTTOM SIDE SHOULD NOT EXCEED 5°. DEVIATIONS TO THE UPPER SIDE ARE NOT ALLOWED.

ECN-NO. ECN NUMBER	DATE DATUM	DD / MM / YY REVISION INDEX	POSITION POSITION	CHANGE DESCRIPTION ÄNDERUNG	DRWN BY GEZ.	CHK. BY GEZ.	APPR. BY GEZ.
16-17304	03.03.16	N		NEW REVISION ADAPT TO NEW UPDATES ON PAGE 6	P. Nuetzel	R. Reger	St Müller
15-13782	26.11.15	M		the line 3mm ² incl. all parameters were added; CHC for 4mm ² was 1.88±0.08 and CWC was 3.4; CHI for 4mm ² with Kostal SWS was 5.25 and CWI was 5.6; new line 4mm ² with Tyco SWS was added; LI for 4mm ² was 0.7±0.2; CHI and CWI for 4mm ² were 5.25 and 5.6; error of symmetric to reference B was 1; Column A±1.2 was added	P. Nuetzel	R. Reger	St. Mueller
14-82721	21.01.14	J		FIRST EDITION-NEW CRIMP VERSION (>2.5-4)mm ² ADDED INCLUDING NEW SWS	St. Müller	P. Nuetzel	F. Pacher

PRODUCT SPEC. PRODUKT SPEZIFIK.	PACKAGING SPEC. VERPACKUNGS SPEZIFIK.	APPLICATION SPEC. ANWENDUNGS SPEZIFIK.	COPYRIGHT DELPHI CORPORATION AND/OR ITS AFFILIATES. ALL RIGHTS RESERVED. REVISED THIS DRAWING IS THE PROPERTY OF DELPHI CORPORATION. THE REPRODUCTION, DISTRIBUTION AND UTILIZATION OF THIS DOCUMENT OR ITS RELATED CAD DATA, AS WELL AS COMMUNICATION OF ANY CONTENT TO OTHERS, WITHOUT EXPRESS AUTHORIZATION IS PROHIBITED.	SURFACE FINISH OBERFLÄCHE	CAD SYSTEM
TOLERANCES DIN ISO 2768-mH TOLERANZEN DIN ISO 1101	MATERIAL : MATERIAL : ...	ECO Loc. Code STANDORT CODE GN	DELPHI ELECTRICAL/ELECTRONIC ARCHITECTURE NÜRNBERG GERMANY	pro / eng.	DWG SIZE FORMAT A2
DO NOT SCALE DRAWING ZEICHNUNG NICHT VERMESSEN	TOOL NO. WERKZEUG Nr.	ISO PROJECTION BEWASSUNG IN MILLIMETERN	9 084 11 00	SHEET BLATT 3 of 7	SCALE Maßstab 1:1
DRAWN BY GEZ. 21.02.14 ST. Müller	CHECKED BY GEZ. 21.02.14 P. Nuetzel	APPROVED BY GEZ. 24.02.14 S. Weiss	FILE NAME DATEI NAME 90841100_N		

MVL TEILE - NR. MVL PART - NO.	ANSCHLUSS- BEREICH CRIMP SIZE (mm ²)	CRIMP- CODE	DRAHTQUER- SCHNITT WIRE SIZE (mm ²)	ISOLATIONS- BEREICH INSULATION RANGE	L ±0.4	DRAHTCRIMP WIRE CRIMP		ISOLATIONS CRIMP INSULATION CRIMP		CRIMP-TYP CRIMP-TYPE	LI	CRIMP- WERKZEUG NR. CRIMPING TOOL NR.
						CH _C	CW _C ±0.05	CH _I ±0.05	CW _I ±0.15			
6 001 17 11/14 6 001 28 11/14 6 001 41 14 6 011 03 11/14 6 011 06 11/14	>0.22-0.35	□	0.35	1.2-1.4	3.8	1.01±0.03	1.67	1.80	1.94	UMFASSUNGS- CRIMP WRAP-CRIMP	0.25 ±0.15	6 520 04 01
6 001 17 31/34 6 001 28 31/34 6 001 41 34 6 011 03 31/34 6 011 06 31/34	0.5-1.0	□□	0.50 0.75 1.00	1.4-1.6 1.7-1.9 1.9-2.1	4.3	1.17±0.04 1.20±0.04 1.25±0.04	2.07 2.08 2.08	2.1 2.4 2.6	2.87	UEBERLAPP- CRIMP OVERLAPPING- CRIMP	0.4 ±0.2	6 520 04 02
6 001 17 41/44 6 001 28 41/44 6 001 41 44 6 011 03 41/44 6 011 06 41/44	>1.0-2.5	□□□	1.40 1.50 2.00 2.50	2.2-2.4 2.2-2.4 2.30-2.55 2.7-3.0	4.3	1.40±0.05 1.55±0.05 1.58±0.03 1.75±0.05	2.60 2.65 2.65 2.68	2.9 2.9 3.1 3.4	3.4 3.4 3.45 3.45	UEBERLAPP- CRIMP OVERLAPPING- CRIMP	0.4 ±0.2	6 520 04 03
33401022	>2,5-4	4	3.0 4.0	3.0-3.2 3.4-3.7	4,8	1,76±0,06 1,82±0,06	3,38±0,07 3,38±0,07	3,5±0,08 3,9±0,08	4,00 4,07	UMFASSUNGS- CRIMP WRAP-CRIMP	0,8±0,2	6 520 04 04

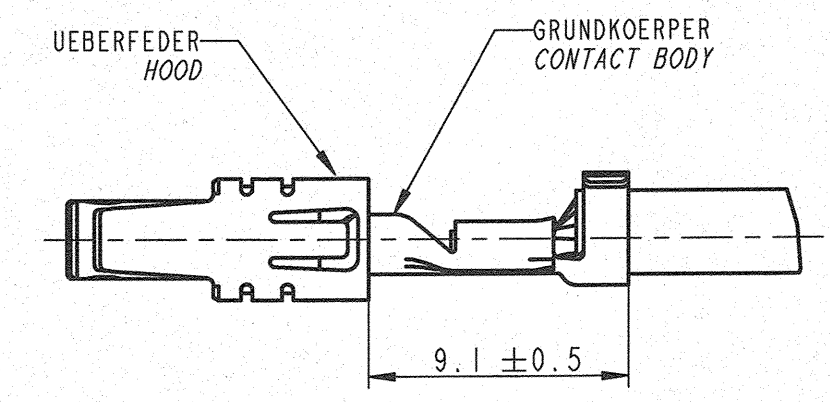


BILD 1: FLACHKONTAKT DCS2-2.8 NORMALE ANWENDUNGEN
PICTURE 1: FEMALE CONTACT DCS2-2.8 USUAL APPLICATION

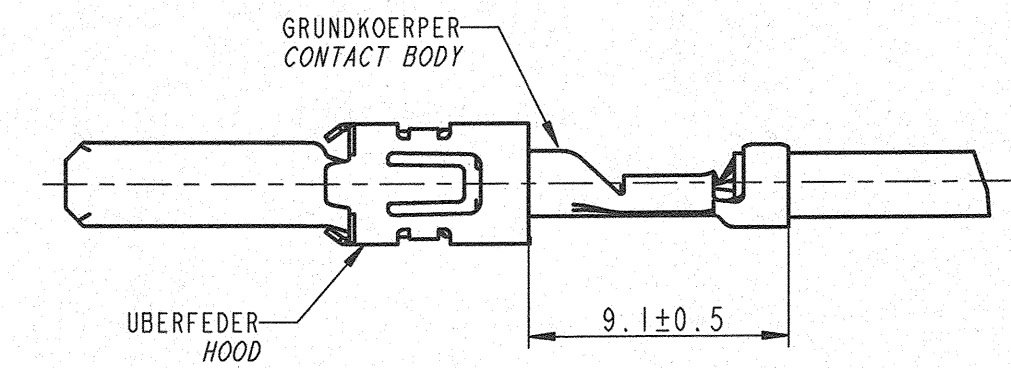


BILD 2: FLACHSTECKER DCS2-2.8 NORMALE ANWENDUNGEN (0.35-2.5)mm²
PICTURE 2: MALE CONTACT DCS2-2.8 USUAL APPLICATION (0.35mm² -2.5mm²)

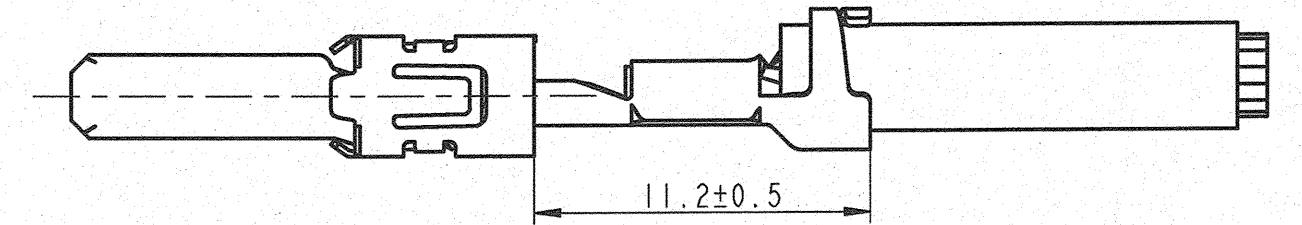
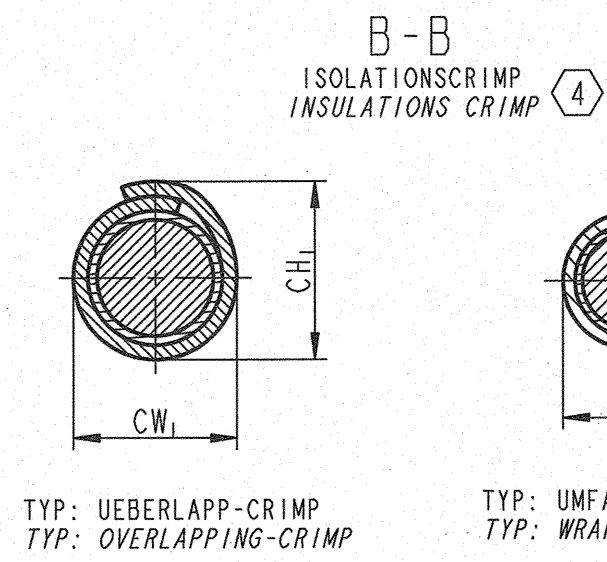
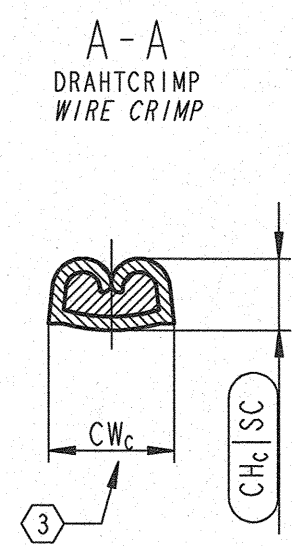
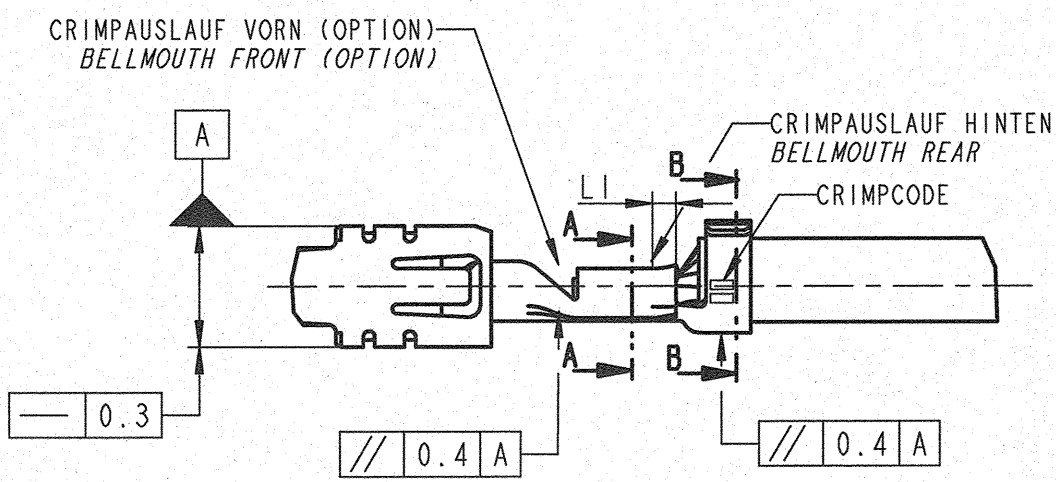
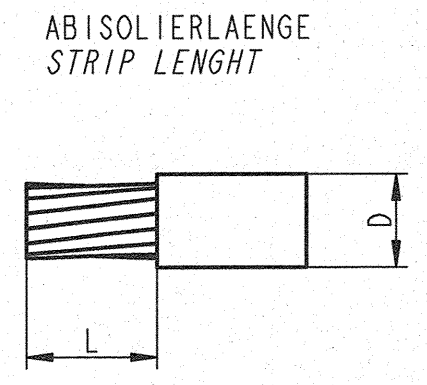
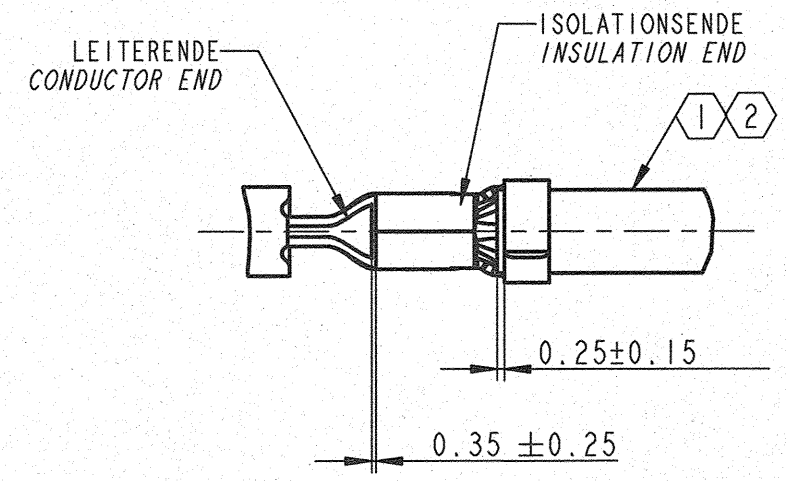


BILD 3: FLACHSTECKER DCS2-2.8 NORMALE ANWENDUNGEN-TEILE-NR. 33401022 (>2.5-4)mm²
PICTURE 3: MALE CONTACT DCS2-2.8 USUAL APPLICATION- PART NO. 33401022 (>2.5-4)mm²



TYP: UEBERLAPP-CRIMP
TYP: OVERLAPPING-CRIMP

TYP: UMFASSUNGS-CRIMP
TYP: WRAP-CRIMP



BEMERKUNGEN / NOTES

① LEITUNGEN FLR NACH DIN 72551-6; AUSGENOMMEN DER LEITUNGSQUERSCHNITT 1.4mm² und 2.0mm²
CABLE TYPES TO: FLR DIN 72551-6; EXCEPT WIRE SECTION 1.4mm² AND 2.0mm²

② AUSREISSKRAFT DES LEITERS AUS DEM DRAHTCRIMP SIEHE: 1 EXTRACTION FORCE OF WIRE OUT THE WIRE CRIMP SEE: DIN EN 60 352-2.

③ CW_C EFFEKTIVE CRIMPBREITE DRAHTCRIMP / EFFECTIVE CRIMP WIDTH WIRE CRIMP

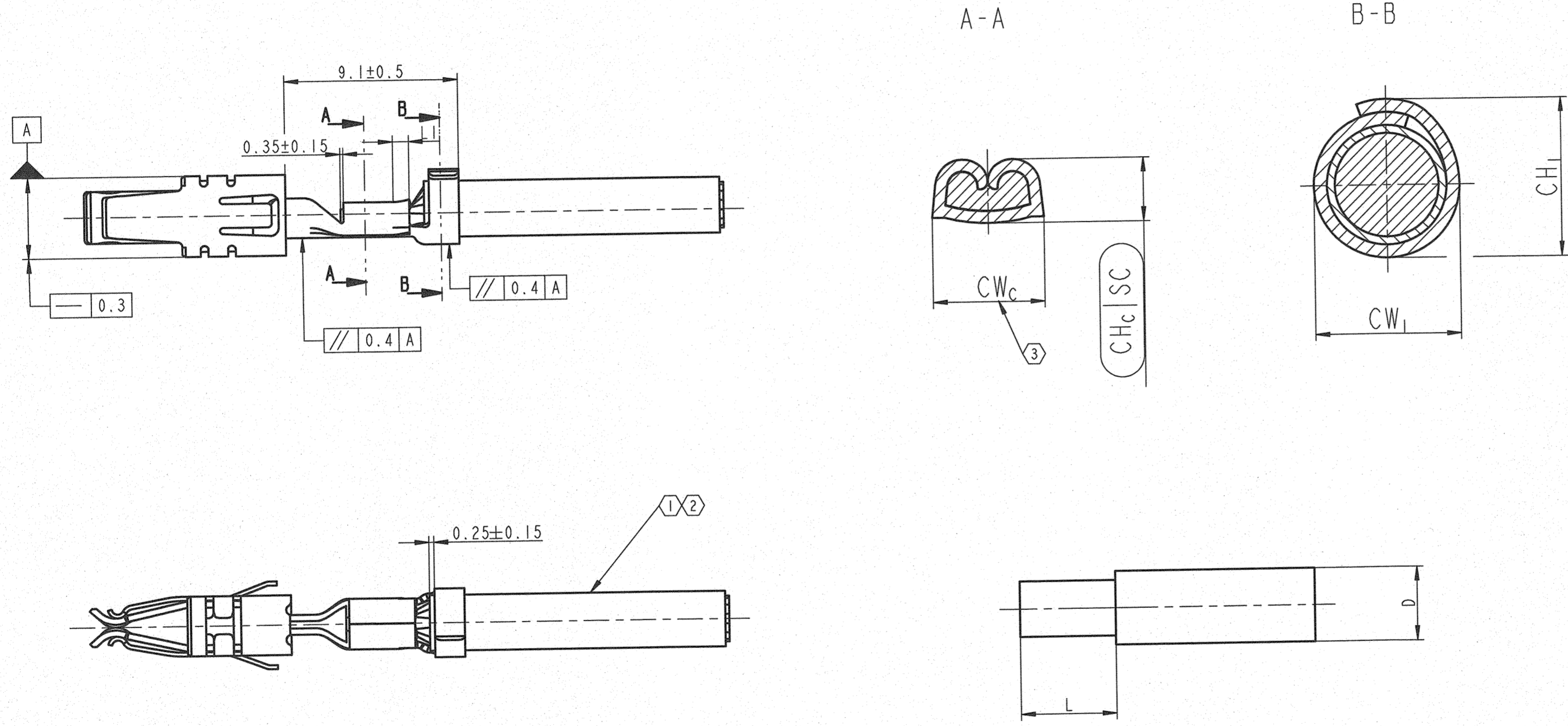
④ DER ISOLATIONS CRIMP MUSS DIE ISOLATION UMFASSEN. VEERLETZUNGEN UND EINSCHNITTE DER ISOLATION SIND NICHT ZULAESSIG.
THE INSULATION-CRIMP MUST COMPRISE THE ISOLATION. THE INSULATION DO NOT HAVE VISIBLE CUTS OR NOTCHES AROUND THE DIAMETER.
ONLY PRESSURE POINTS OR MARKS ARE ALLOWED.

⑤ ES GELTEN DIE ALLGEMEINEN RICHTLINIEN ZUR VERARBEITUNG VON KONTAKTEN MIT OFFENEN CRIMPHUELSEN NACH DELPHI VERARBEITUNGS-
SPEZIFIKATION: 9 902 02 00
GENERAL GUIDLINES FOR THE APPLICATION OF CONTACTS WITH OPEN CRIMP BARRELS IS VALID TO DELPHI SPECIFICATION: 9 902 02 00

- Pruefmasz
Check dimension
- 100% Pruefmasz (100% Pruefung)
Check dimension (100% Check)
- ISD Sicherheitsrelevantes Masz
Significant characteristic

ECN-NO. ECN NUMBER	DATE DATUM	DD / MM / YY REVISION INDEX	POSITION POSITION	CHANGE DESCRIPTION ÄNDERUNG	DRAWN BY GEZ.	CHK. BY REF.	APPR. BY REF.	
16-17304	03.03.16	N		NEW REVISION ADAPT TO NEW UPDATES ON PAGE 6	P. Nuetzel	R. Reger	St. Müller	
15-13782	26.11.15	M		part no. 33401022 with 3mm ² and 4mm ² incl. all parameters were added; dim. 0.25±0.15 added; Picture 3 for male contact 334010222 was added; dim. 0.25±0.15 was added; view wrap crimp was added; deviation of straightness was added	P. Nuetzel	R. Reger	St. Müller	
14-02721	25.02.14	L		NEW REVISION ADAPT TO NEW UPDATES ON PAGE 2; 3 AND 5	St. Müller	P. Nuetzel	F. Pacher	
13-00829	16.07.13	K		CH _C was for 0.35mm ² 1.06±0.03; CH _C was for 1mm ² 1.35±0.05; CH _C was for 0.75mm ² 1.27±0.05; CH _C was for 0.5mm ² 1.2±0.05 CW _I values were as follow: 1.85 ^{+0.25} for 0.35mm ² ; 2.75 ^{+0.25} for (0.5-1)mm ² and 3.3 ^{+0.25} for (>1-2.5)mm ² ; CH _I values were as follow: 1.75±0.1 for 0.35mm ² ; 2.15±0.15 for 0.5mm ² ; 2.35±0.15 for 0.75mm ² ; 2.45±0.15 for 1mm ² ; (2.75) for 1.5mm ² and (3.4) for 2.5mm ² ; row applicator spec. was deleted; View wrap crimp was corrected	St. Müller	S. Weiss	J. Muehlmichel	
PRODUCT SPEC. PRODUKT SPEZIFIK.	PACKAGING SPEC. VERPACKUNGS SPEZIFIK.	APPLICATION SPEC. ANWENDUNGS SPEZIFIK.	COPYRIGHT DELPHI CORPORATION AND/OR ITS AFFILIATES. ALL RIGHTS RESERVED. REVISED THIS DRAWING IS THE PROPERTY OF DELPHI CORPORATION. THE REPRODUCTION, DISTRIBUTION AND UTILIZATION OF THIS DOCUMENT OR ITS RELATED CAD DATA, AS WELL AS COMMUNICATION OF ANY CONTENT TO OTHERS, WITHOUT EXPRESS AUTHORIZATION IS PROHIBITED.					
TOLERANCES TOLERANZEN	DIN ISO 2768- mH DIN ISO 1101	MATERIAL: MATERIAL: ---	SURFACE FINISH OBERFLÄCHE		CAD SYSTEM			
COUNTERPART NO. GEGENSTUECK NR.	---	COLOUR: FARBE: ---	ECO Loc. Code STANDORT CODE GN		DELPHI PACKARD ELECTRICAL/ELECTRONIC ARCHITECTURE NÜREMBERG GERMANY DIMENSION IN MILLIMETERS BEMASSUNG IN MILLIMETERN			
DO NOT SCALE DRAWING ZEICHNUNG NICHT VERMESSEN	DATE DATUM	NAME NAME	TITLE BEZEICHNUNG		DRAWING NUMBER ZEICHN. NUMMER			
DRAWN BY GEZ.	21.02.14	ST. Müller	CRIMP SPECIFICATION MALE AND FEMALE DCS2-2.8 NORMAL APPLICATION		9 084 11 00			
CHECKED BY REF.	21.02.14	P. Nuetzel	ESR NO. ESR NUMBER		FILE NAME DATEI NAME			
APPROVED BY REF.	24.02.14	S. Weiss	CAT. NO. KATALOG NR.		90841100_N			

TEILE - NR. PART - NO.	ANSCHLUSS- BEREICH CRIMP SIZE (mm ²)	CRIMP- CODE	DRAHTQUER- SCHNITT WIRE SIZE (mm ²)	ISOLATIONS- BEREICH INSULATION RANGE	L±0.4	DRAHTCRIMP ^⑤ WIRE CRIMP		ISOLATIONS CRIMP ^{④⑤} INSULATION CRIMP		CRIMP-TYP CRIMP-TYPE	LI	CRIMP- WERKZEUG NR. CRIMPING TOOL NR.
						CH _C	CW _C ±0.05	CH _I ±0.05	CW _I ±0.15			
33400852; 33523157; F088410	0.5-1.0	2A	0.50	1.4-1.6	4.3	1.17±0.04	2.07	2.1	2.87	UEBERLAPP- CRIMP OVERLAPPING- CRIMP	0.4 ±0.2	6 520 04 37
			0.75	1.7-1.9		1.20±0.04	2.08	2.4	2.87			
			1.00	1.9-2.1		1.25±0.04	2.08	2.6	2.87			
33400853; 33523158; F188410	>1.0-2.5	3A	1.40	2.2-2.4	4.3	1.40±0.05	2.60	2.9	3.4	UEBERLAPP- CRIMP OVERLAPPING- CRIMP	0.4 ±0.2	6 520 04 38
			1.50	2.2-2.4		1.55±0.05	2.65	2.9	3.4			
			2.00	2.3-2.55		1.58±0.03	2.65	3.1	3.45			
			2.50	2.7-3.0		1.75±0.05	2.68	3.4	3.45			



BEMERKUNGEN / NOTES

① LEITUNGEN FLR NACH DIN 72551-6; AUSGENOMMEN DER LEITUNGSQUERSCHNITT 1.4mm² und 2.0mm²
CABLE TYPES TO: FLR DIN 72551-6; EXCEPT WIRE SECTION 1.4mm² AND 2.0mm²

② AUSREISSKRAFT DES LEITERS AUS DEM DRAHTCRIMP SIEHE: / EXTRACTION FORCE OF WIRE OUT THE WIRE CRIMP SEE: DIN EN 60 352-2.

③ CW_C EFFEKTIVE CRIMPBREITE DRAHTCRIMP / EFFECTIVE CRIMP WIDTH WIRE CRIMP

④ DER ISOLATIONS CRIMP MUSS DIE ISOLATION UMFASSEN. VERLETZUNGEN UND EINSCHNITTE DER ISOLATION SIND NICHT ZULAESSIG.
MARKIERUNGEN UND DRUCKSTELLEN SIND ERLAUBT.
THE INSULATION CRIMP MUST COMPRISE THE INSULATION. THE INSULATION DO NOT HAVE VISIBLE CUTS OR NOTCHES AROUND THE DIAMETER.
ONLY PRESSURE POINTS OR MARKS ARE ALLOWED.

⑤ ES GELTEN DIE ALLGEMEINEN RICHTLINIEN ZUR VERARBEITUNG VON KONTAKTEN MIT OFFENEN CRIMPHUELSEN NACH DELPHI VERARBEITUNGS-
SPEZIFIKATION: 9 902 02 00
GENERAL GUIDELINES FOR THE APPLICATION OF CONTACTS WITH OPEN CRIMP BARRELS IS VALID TO DELPHI SPECIFICATION: 9 902 02 00

ECN-NO. ECH NUMBER	DATE DATUM	DD / MM / YY INDEX	REVISION POSITION	CHANGE DESCRIPTION ÄNDERUNG	DRAWN BY GEZ.	CHK. BY GEK.	APPR. BY GEN.
16-17304	03.03.16	N		NEW REVISION ADAPT TO NEW UPDATES ON PAGE 6	P. Nuetzel	R. Reger	St. Müller
15-13782	26.11.15	M		part no. 33523157 and 33523158 were added; crimp tool for (0.5-1)mm ² was 6 520 04 47 and for (>1-2.5)mm ² 6 520 04 48; deviation of straightness was added	P. Nuetzel	R. Reger	St. Müller
14-02721	25.02.14	L		FIRST EDITION-NEW PART NUMBERS FOR 2-OUT DIE ADDED	St. Müller	P. Nuetzel	F. Pacher

PRODUCT SPEC. PRODUKT SPECIFIK.	PACKAGING SPEC. VERPACKUNGS SPECIFIK.	APPLICATION SPEC. ANWENDUNGS SPECIFIK.	COPYRIGHT	DELPHI CORPORATION AND/OR ITS AFFILIATES. ALL RIGHTS RESERVED. REVISED THIS DRAWING IS THE PROPERTY OF DELPHI CORPORATION. THE REPRODUCTION, DISTRIBUTION AND UTILIZATION OF THIS DOCUMENT OR ITS RELATED CAD DATA, AS WELL AS COMMUNICATION OF ANY CONTENT TO OTHERS, WITHOUT EXPRESS AUTHORIZATION IS PROHIBITED.
---	---	---	---	---

TOLERANCES TOLERANZEN	MATERIAL	SURFACE FINISH OBERFLÄCHE
DIN ISO 2768-mH DIN ISO 1101	MATERIAL : ...	---

DELPHI	DELPHI PACKARD ELECTRICAL/ELECTRONIC ARCHITECTURE NÜRNBERG GERMANY	pro / eng.
---	---	---

DO NOT SCALE DRAWING ZEICHNUNG NICHT VERMESSEN	DATE DATUM	NAME NAME	TITLE BENENNUNG	DRAWING NUMBER ZEICHN. NUMBER	SHEET BLATT
---	21.02.14	ST. Müller	CRIMP SPECIFICATION FEMALE CONTACT DCS2-2.8 FOR NORMAL APPLICATION	9 084 11 00	5 of 7

APPROVED BY GEN.	DATE DATUM	NAME NAME	ESR NO. ESR NUMBER	CAT. NO. KATALOG Nr.	FILE NAME DATEI NAME	SCALE Maßstab
S. Weiss	24.02.14	S. Weiss	---	---	90841100_N	1:1

EUR C04 112 F29

TEILE - NR. PART - NO.	ANSCHLUSS- BEREICH CRIMP SIZE (mm ²)	CRIMP- CODE	DRAHTQUER- SCHNITT WIRE SIZE (mm ²)	ISOLATIONSBEREICH INSULATION RANGE DI + D2	L ± 0.4	DRAHTCRIMP WIRE CRIMP		ISOLATIONS- INSULATION CRIMP		LI	CRIMP- WERKZEUG NR. CRIMPING TOOL NR.	
						CH _C	CW _C ± 0.05	CH _I ± 0.1	CW _I ± 0.10			CRIMP-TYP CRIMP-TYPE
6 001 17 31/34 6 001 28 31/34 6 001 41 34 6 011 03 31/34 6 011 06 31/34 F088410 33523157; 33400852 N	0.5-1.0	□□	0.35+0.35	1.4-0.2 + 1.4-0.2	4.3	1.19±0.04	2.07	2.65	2.9	0.5 +0.25	6 520 04 02	
			0.35+0.5	1.4-0.2 + 1.6-0.2		1.22±0.04	2.08	(2.9)	2.9			
			0.5+0.5	1.6-0.2 + 1.6-0.2		1.25±0.04	2.08	2.95	2.9			
			0.35 + 0.75	1.4-0.2 + 1.9-0.2		1.33±0.04	2.05	3.15	2.95			
6 001 17 41/44 6 001 28 41/44 6 001 41 44 6 011 03 41/44 6 011 06 41/44 F188410 33523158; 33400853 N	>1.0-2.5	□□□	0.5+ 0.75	1.6-0.2 + 1.9-0.2	4.3	1.30±0.05	2.65	3.45	3.4	0.5 +0.25	6 520 04 03	
			0.35 + 1.0	1.4-0.2 + 2.1-0.2		1.35±0.05	2.65	(3.0)	3.4			
			0.75+ 0.75	1.7-0.2 + 1.7-0.2		1.45±0.05	2.65	3.55	3.45			
			0.5+ 1.0	1.6-0.2 + 2.1-0.2		1.30±0.05	2.65	3.45	3.45			
			0.5+0.75	1.6-0.2 + 1.9-0.2		1.50±0.05	2.65	(3.2)	(3.45)			
			0.6+ 1.0	TBD		1.56±0.05	2.66	(3.4)				
			0.75+ 1.0	1.9-0.2 + 2.1-0.2		1.58±0.03	2.65	(3.65)				
			1.0+ 1.0	2.1-0.2 + 2.1-0.2		1.75±0.05	2.68	(3.95)				
33401022	>2.5-4.0		2.0 + 2.0	2.35-2.55	4.8	1.82±0.06	3.38±0.07	4.45	4.1	UMFASSUNGS- CRIMP WRAP CRIMP	0.8±0.2	6 520 04 04

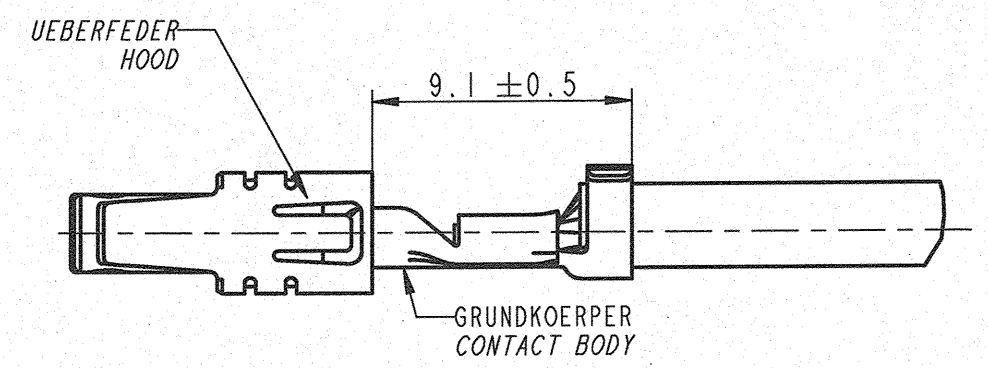


BILD 1: FLACHKONTAKT DCS2-2.8 DOPPELANSCHLAG
PICTURE 1: FEMALE CONTACT DCS2-2.8 DOUBLE CRIMP

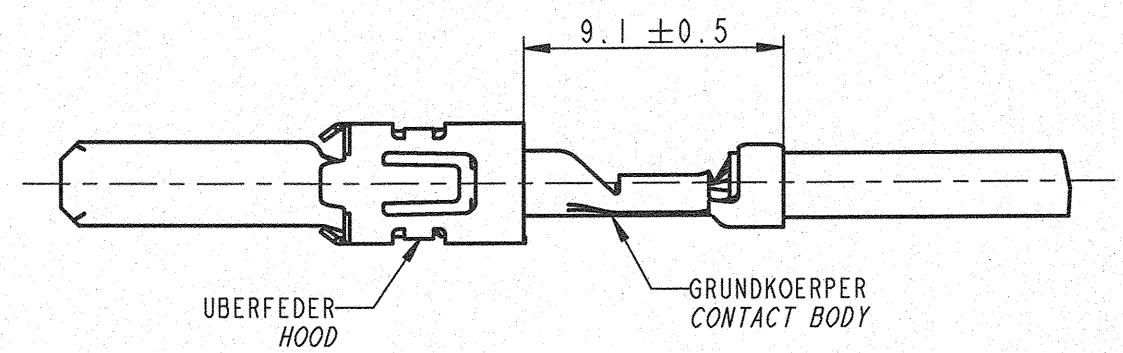


BILD 2: FLACHSTECKER DCS2-2.8 (0.35-2.5)mm² DOPPELANSCHLAG
PICTURE 2: MALE CONTACT DCS2-2.8 (0.35-2.5)mm² DOUBLE CRIMP

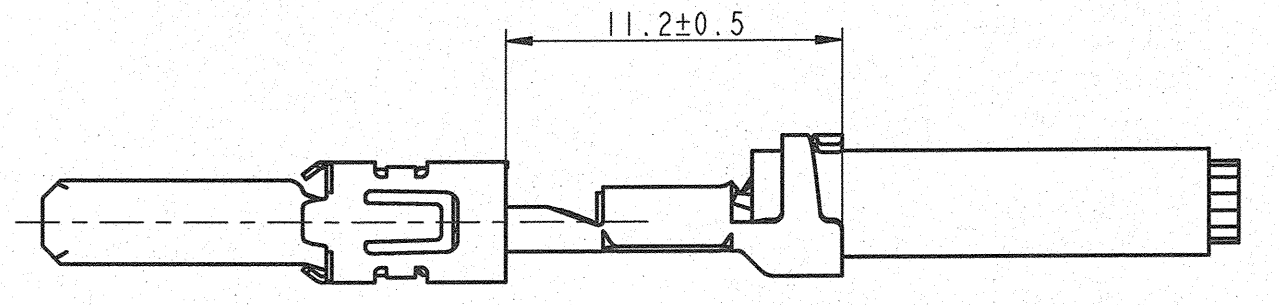
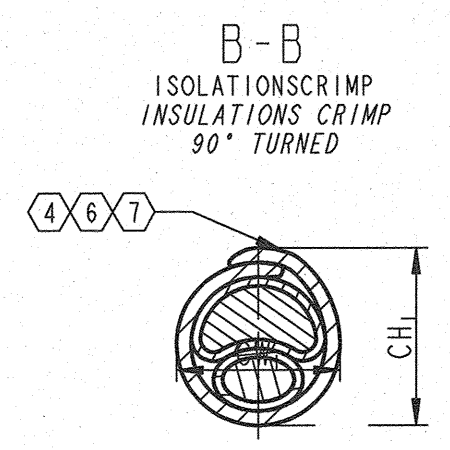
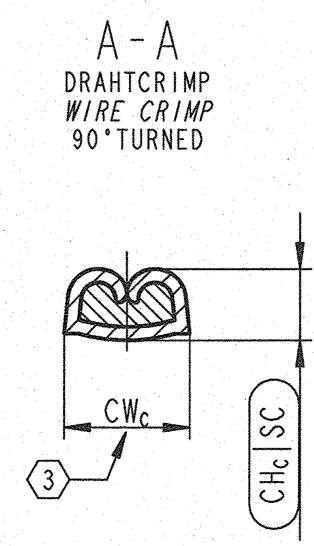
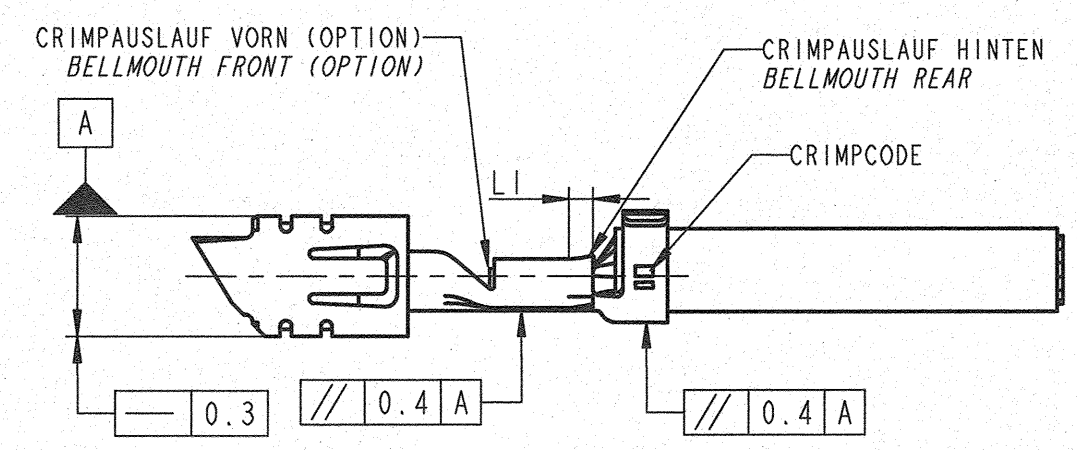
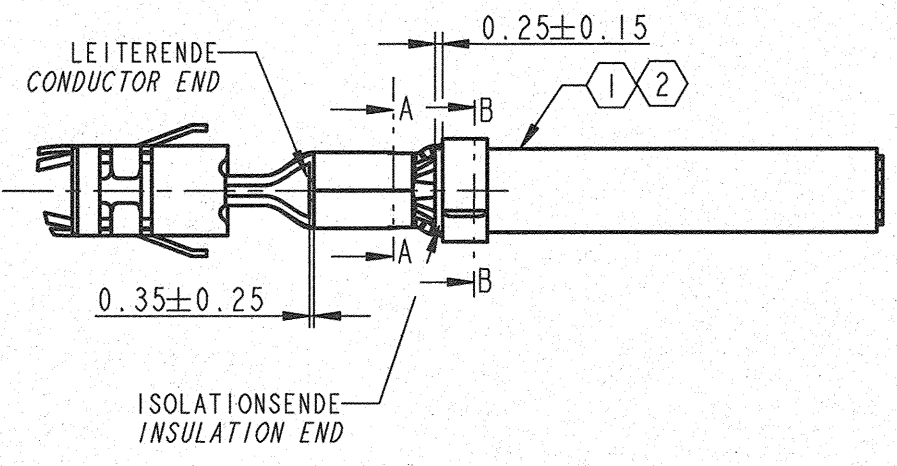
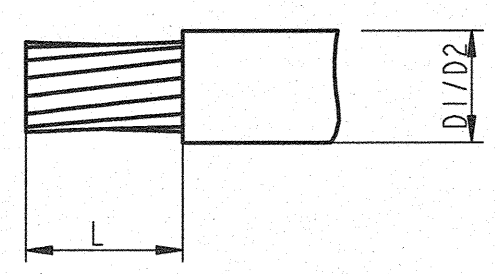


BILD 3: FLACHSTECKER DCS2-2.8-TEILE-NR. 33401022 DOPPELANSCHLAG (>2.5-4)mm²
PICTURE 3: MALE CONTACT DCS2-2.8 PART NO. 33401022 DOUBLE CRIMP (>2.5-4)mm²



TYP: UEBERLAPP-CRIMP
TYP: OVERLAPPING-CRIMP



- BEMERKUNGEN / NOTES
- LEITUNGEN NACH / CABLE TYPES TO: FLYR DIN 72551-6
 - AUSREISSKRAFT DES LEITERS AUS DEM DRAHTCRIMP SIEHE: / EXTRACTION FORCE OF WIRE OUT THE WIRE CRIMP SEE: DIN EN 60 352-2
 - CW_C EFFEKTIVE CRIMPBREITE DRAHTCRIMP / EFFECTIVE CRIMP WIDTH WIRE CRIMP
 - DER ISOLATIONS-
INSULATION CRIMP MUSS DIE ISOLATION UMFASSEN. VERLETZUNGEN UND EINSCHNITTE DER ISOLATION SIND NICHT ZULAESSIG. MARKIERUNGEN UND DRUCKSTELLEN SIND ERLAUBT. THE ISOLATION-CRIMP MUST COMPRISE THE ISOLATION. THE ISOLATION DO NOT HAVE VISIBLE CUTS OR NOTCHES AROUND THE DIAMETER. ONLY PRESSURE POINTS OR MARKS ARE ALLOWED.
 - ES GELTEN DIE ALLGEMEINEN RICHTLINIEN ZUR VERARBEITUNG VON KONTAKTEN MIT OFFENEN CRIMP-HUELSEN NACH DELPHI VERARBEITUNGSSPEZIFIKATION: 9 902 02 00 GENERAL GUIDLINES FOR THE APPLICATION OF CONTACTS WITH OPEN CRIMP BARRELS IS VALID TO DELPHI SPECIFICATION: 9 902 02 00
 - BEI DOPPEL-
CRIMPS MUSS DER KLEINERE LEITUNGSQUERSCHNITT UNTEN LIEGEN. BY DOUBLE CRIMPS MUST THE SMALLER CONDUCTOR RANGE LYING DOWN.
 - DIE GEOMETRISCHEN ABMASSE DER ISOLATIONS-
INSULATION CRIMPS BEI DOPPELANSCHLAGEN SIND AUF EINBAUFAEHIGKEIT IN DIE KONTAKTKAMMERN ZU PRUEFEN. THE GEOMETRICAL DIMENSIONS OF THE ISOLATION CRIMPS MUST TO CHECK CONCERNING THE FITTING IN THE CONTACT CAVITIES.

16-17304	03.03.16	N	following part numbers on the table were added on the line with wire range (0.5-1)mm ² : F088410, 33523157 and 33400852 and on the line for the wire range (>1-2.5)mm ² were added following part numbers: F188410, 33523158, 33400853; the combination (0.5+0.75)mm ² including all crimp parameters were added	P. Nuetzel	R. Reger	St. Müller			
15-13782	26.11.15	N	Column with part no. 33401022 added; column (0.35+0.75)mm ² added; CHC for (0.5+0.75)mm ² was 1.35±0.05 and CHi was (3.4); CHC for (0.75+0.75) and (0.5+1)mm ² was 1.55±0.05; CWI for crimp range (0.5-1)mm ² was 2.8; picture 3 was added; column insul. range was reworked; deviation of straightness was added	P. Nuetzel	R. Reger	St. Müller			
14-02721	25.02.14	N	NEW REVISION ADAPT TO NEW UPDATES ON PAGE 2; 3 AND 5;	St. Müller	P. Nuetzel	F. Pacher			
13-00829	16.07.13	N	CHC values were as follow: 1.25±0.05 for 0.35+0.35 mm ² ; 1.27±0.05 for 0.5+0.35 mm ² ; 1.35±0.05 for 0.5+0.5 mm ² ; 1.35±0.05 for 0.75+0.5 mm ² ; 1.4±0.05 for 1+0.35 mm ² ; 1.5±0.05 for 0.75+0.75 mm ² and 1+0.5 mm ² ; 1.53±0.05 for 1+0.6 mm ² ; 1.55±0.05 for 1+0.75 mm ² ; 1.63±0.05 for 1+1 mm ²	St. Müller	S. Weiss	J. Muehlm.			
ECN-NO. ECN NUMBER	DATE DATUM	DD / MM / YY	REVISION INDEX	POSITION POSITION	CHANGE DESCRIPTION ÄNDERUNG	DRAWN BY GEZ.	CHK. BY GEZ.	APPR. BY GEZ.	
PRODUCT SPEC. PRODUKT SPEZIFIK.	PACKAGING SPEC. VERPACKUNGS SPEZIFIK.	APPLICATION SPEC. ANWENDUNGS SPEZIFIK.	COPYRIGHT DELPHI CORPORATION AND/OR ITS AFFILIATES. ALL RIGHTS RESERVED. REVISED THIS DRAWING IS THE PROPERTY OF DELPHI CORPORATION. THE REPRODUCTION, DISTRIBUTION AND UTILIZATION OF THIS DOCUMENT OR ITS RELATED CAD DATA, AS WELL AS COMMUNICATION OF ANY CONTENT TO OTHERS, WITHOUT EXPRESS AUTHORIZATION IS PROHIBITED. DIESE ZEICHNUNG IST EIGENTUM DER FIRMA DELPHI UND ERSTRECKT DELPHI VERTRÄGLICHE INFORMATIONEN. DIE REPRODUKTION, VERTEILUNG UND NUTZUNG DIESES DOKUMENTES ODER SEINER ZUSAMMENHÄNGENDE CAD DATEN, ODER ANDER ALS KOMMUNIKATION VON BELIEBIGEN INHALT ZU ANDEREN, IST OHNE RECHTIGKEITSGEBUNG DURCH DIE DELPHI CORPORATION UNZULÄSSIG.				DELPHI DELPHI PACKARD ELECTRICAL/ELECTRONIC ARCHITECTURE NUREMBERG GERMANY		
TOLERANCES TOLERANZEN	DIN ISO 2768- mH DIN ISO 1101	MATERIAL: MATERIAL: ...	SURFACE FINISH OBERFLÄCHE		DELPHI DELPHI PACKARD ELECTRICAL/ELECTRONIC ARCHITECTURE NUREMBERG GERMANY				
COUNTERPART NO. GEGENSTÜCK NR.	---	COLOUR: FARBE: ...	TOOL NO. WERKZEUG NR.		ECO Loc. Code STANDORT CODE	DIMENSION IN MILLIMETERS BEMASSUNG IN MILLIMETER			
DO NOT SCALE DRAWING ZEICHNUNG NICHT VERMESSEN	DATE DATUM	NAME NAME	TITLE BENENNUNG		---	DRAWING NUMBER ZEICHN. NUMMER			
DRAWN BY GEZ.	21.02.14	ST. Müller	CRIMP SPECIFICATION MALE AND FEMALE DCS2-2.8 FOR DOUBLE CRIMPS		---	9 084 11 00			
CHECKED BY GEZ.	21.02.14	P. Nuetzel	---		---	SHEET BLATT			
APPROVED BY GEZ.	24.02.14	S. Weiss	---		---	6 of 7 7			
---	---	---	---		---	SCALE M: 1:0:1			

TEILE - NR. PART - NO.	ANSCHLUSS- BEREICH CRIMP SIZE (mm ²)	CRIMP- CODE	DRAHTQUER- SCHNITT WIRE SIZE (mm ²)	ISOLATIONS- BEREICH INSULATION RANGE	L±0.4	DRAHTCRIMP WIRE CRIMP		ISOLATIONS- BEREICH INSULATION CRIMP			LI	EINZELADERDICHUNG (EAA) SINGLE WIRE SEAL (SWS)		CRIMP- WERKZEUG NR. CRIMPING TOOL NR.	APPLIKATOR SPEZIFIKATION APPLICATOR SPECIFICATION	
						CH _C	CW _C ±0.05	CH _I ±0.05	CW _I ±0.1	CRIMP-TYP CRIMP-TYPE		MVL-NR. MVL-NO.	FARBE COLOR			FUER KAMMER FOR CAVITY
6 001 21 11/14 6 001 29 11/14 6 001 40 11/12 6 001 42 14 6 011 05 11/14 6 011 07 11/14 6 011 07 12 F220300	>(0.22-0.35)	□	0.35	1.2-1.4	3.8	0.95±0.03 ¹⁾ 1.01±0.03 ²⁾	1.67	3.60	3.8	UMFASSUNGS- CRIMP WRAP-CRIMP	0.25±0.15	6 099 40 15	BLAU BLUE	6 520 04 05	9 909 06 71	
6 001 21 31/34 6 001 29 31/34 6 001 40 31/32 6 001 42 34 6 011 05 31/34 6 011 07 31/34 6 011 07 32 F028600	(0.5-1.0)	□□	0.50 AWG 20 0.75 AWG 18 1.00	1.4-1.6 1.7-1.9 1.9-2.1	4.3	1.17±0.04 1.20±0.04 1.20±0.04 1.28±0.04 1.25±0.04	2.07 2.08 2.08 2.08 2.08	(2.8) (3.0) (3.2)	3.87 3.87 3.92	OVERLAPPING- CRIMP	0.4 ± 0.2	211 M 0009	ROT RED	PCC0556102 PCC0556114	6 520 04 08	9 909 07 83
6 001 21 41/44 6 001 29 41/44 6 001 40 41/42 6 001 42 44 6 011 05 41/44 6 011 07 41/44 6 011 07 42 F128600 F420300	(>1.0-2.5)	□□□	1.50 2.00 2.50	2.2-2.4 2.3-2.55 2.65-3.0	4.3	1.45±0.05 ¹⁾ 1.55±0.05 ²⁾ 1.58±0.03 1.75±0.05	2.65 2.66 2.68	(4.2) (3.95) (4.2)	4.25 4.30 4.30 4.2+0.25	O-CRIMP	0.4 ± 0.2	240 M 040 6 099 40 34 211 M 0 010	BRAUN BROWN GELB YELLOW BLAU BLUE	6 520 04 07	9 909 06 74	

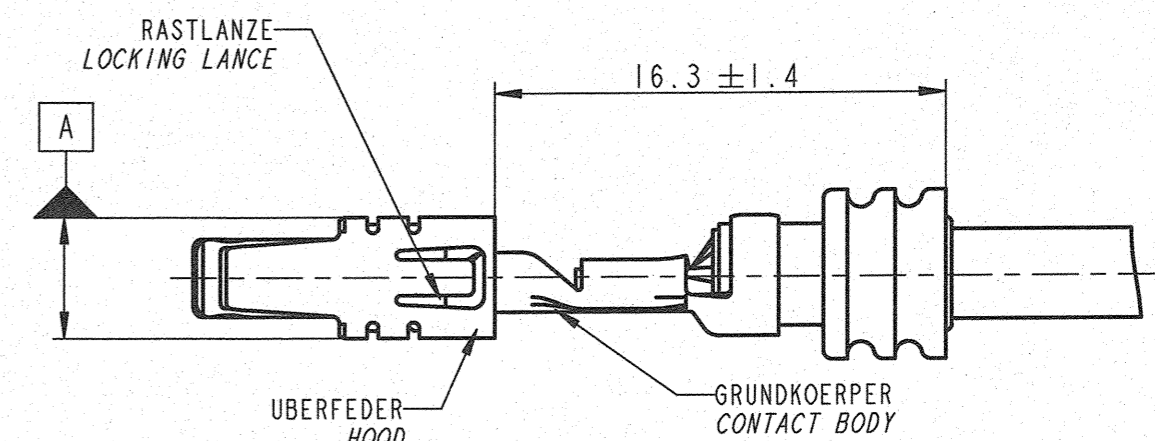


BILD 1: FLACHKONTAKT DCS2-2.8 MIT EAA
PICTURE 1: FEMALE CONTACT DCS2-2.8 WITH SWS

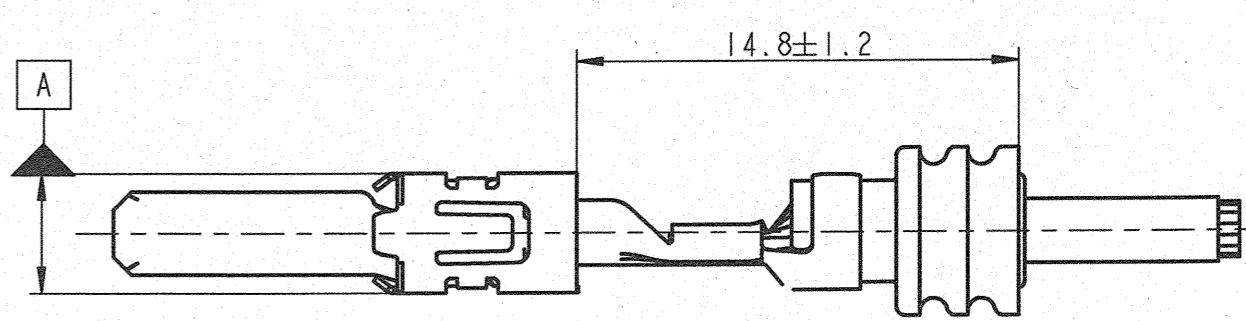
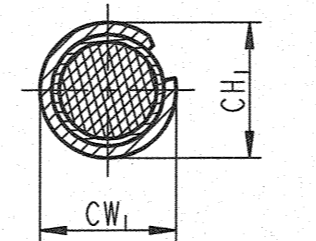
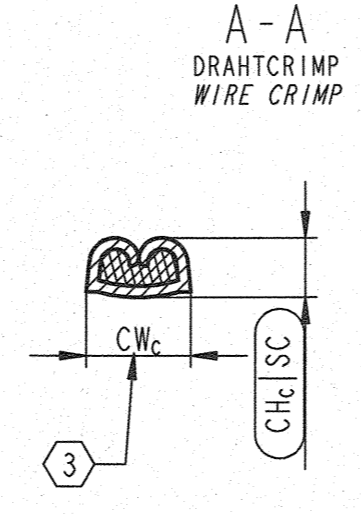
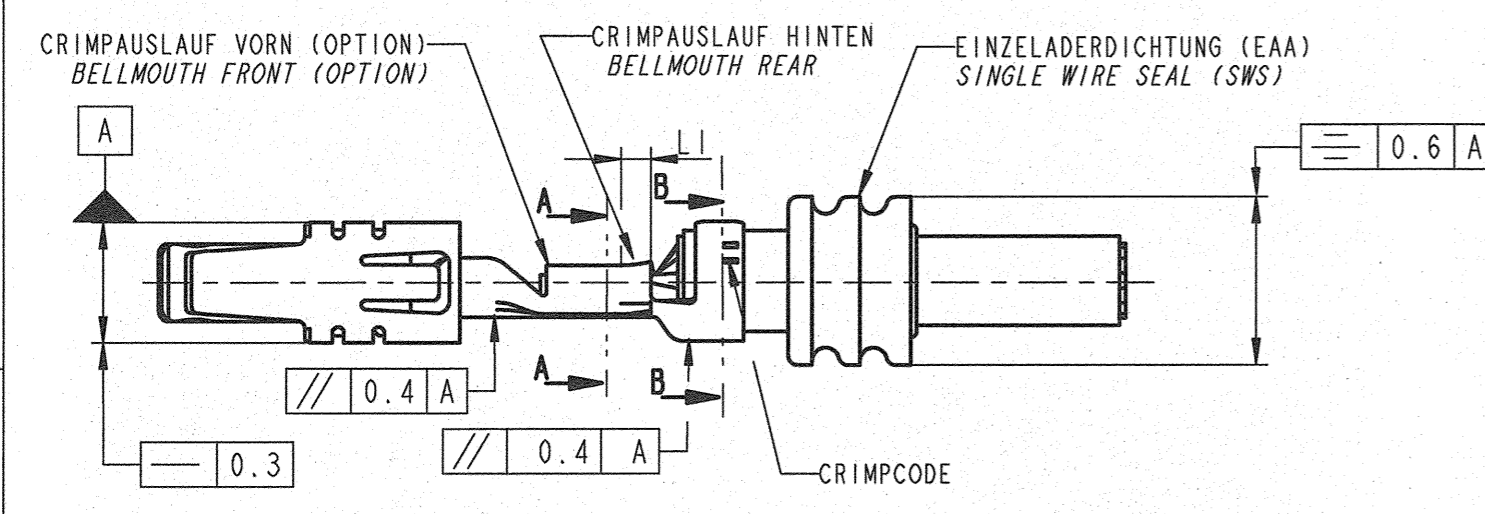
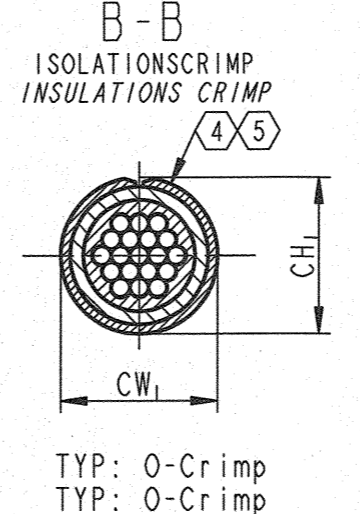


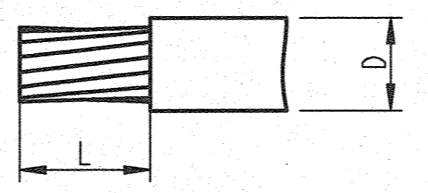
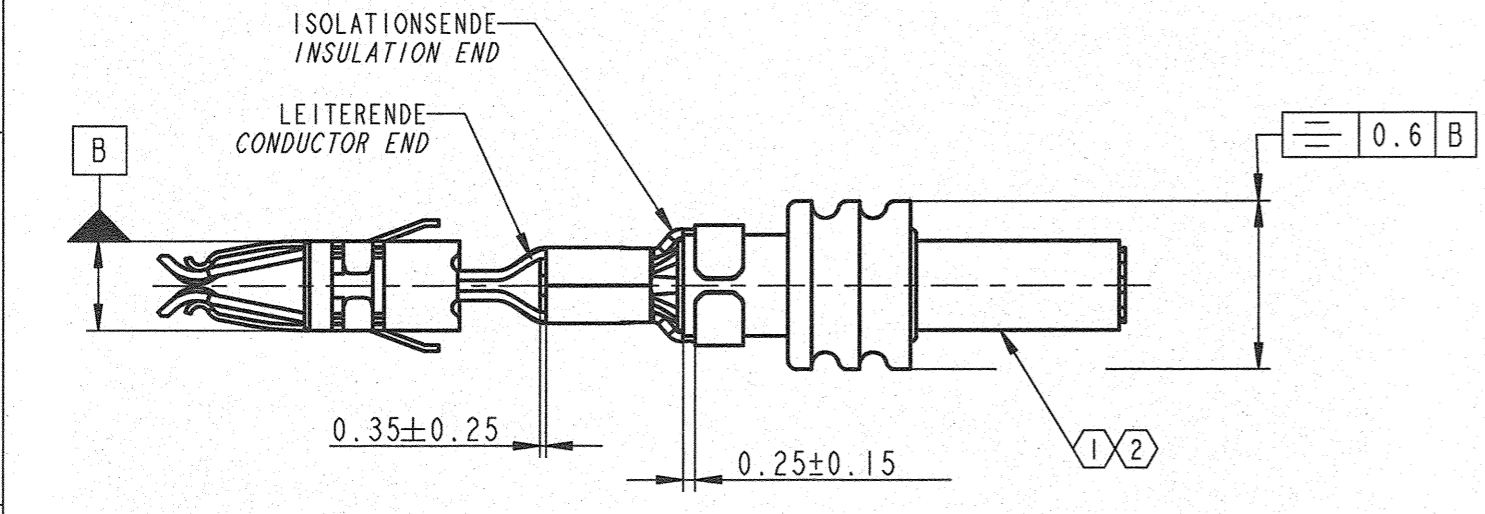
BILD 2: FLACHSTECKER DCS2-2.8 MIT EAA
PICTURE 2: MALE CONTACT DCS2-2.8 WITH SWS



TYP: Umfassungscrimp
TYP: Wrap Crimp



TYP: O-Crimp
TYP: O-Crimp



ABISOLIERLAENGE
STRIP LENGTH

GILT NUR FUER RENAULT UND PSA
IS VALID FOR RENAULT AND PSA ONLY

- BEMERKUNGEN / NOTES
- LEITUNGEN NACH / WIRE TYPES TO: PSA ST96095 032 99
 - AUSREISSKRAFT DES LEITERS AUS DEM DRAHTCRIMP SIEHE: / EXTRACTION FORCE OF WIRE OUT THE WIRE CRIMP SEE: DIN EN 60 352-2.
 - CW_C EFFEKTIVE CRIMPBREITE DRAHTCRIMP / EFFECTIVE CRIMP WIDTH WIRE CRIMP
 - DIE VERWENDUNG DER EINZELDICHUNGEN IST ABHÄNGIG VOM ISOLATIONS-DURCHMESSER DER LEITUNG UND NICHT VOM LEITUNGSQUERSCHNITT. DURCH DEN CRIMPVORGANG DARF DIE EINZELDICHUNG IM BEREICH DES BUNDDURCHMESSERS NICHT EINGESCHNITTEN ODER VERLETZT WERDEN. DRUCKSTELLEN UND MARKIERUNGEN SIND ZULAESSIG, WENN SIE NICHT ZUR RISSBILDUNG ODER DURCHTRENNEN DER DICHTUNG FUEHREN.
THE APPLICATION OF SINGLE WIRE SEALS IS DEPENDS ON THE INSULATION DIAMETER AND NOT FROM THE WIRE SECTION. AFTER CRIMPING THE SWS DO NOT HAVE VISIBLE CUTS OR NOTCHES AROUND THE DIAMETER OF COLLAR. ONLY PRESSURE POINTS OR MARKS ALLOWED, WHICH CAN NOT CAUSE TEARING OR SPLITTING OF IN THE LONG TERM.
 - ES GELTEN DIE ALLGEMEINEN RICHTLINIEN ZUR VERARBEITUNG VON KONTAKTEN MIT OFFENEN CRIMP-HUELSEN NACH DELPHI-
VERARBEITUNGSSPEZIFIKATION: 9 902 00 20
4: GENERAL GUIDELINES FOR THE APPLICATION OF CONTACTS WITH OPEN CRIMP BARRELS IS VALID TO DELPHI SPECIFICATION: 9 902 00 20
- 1) DIESE DRAHTCRIMPHOEHE GILT NUR FUER PSA
THIS WIRE CRIMP HEIGHT IS VALID FOR PSA ONLY
- 2) DIESE DRAHTCRIMPHOEHE GILT NUR FUER RENAULT
THIS WIRE CRIMP HEIGHT IS VALID FOR RENAULT ONLY

- Pruefmasz
Check dimension
- 100% Pruefmasz (100% Pruefung)
Check dimension (100% Check)
- ISC Sicherheitsrelevantes Masz
Significant characteristic

16-17304	03.03.16	N	NEW REVISION ADAPT TO NEW UPDATES ON PAGE 6	P. Nuetzel	R. Reger	St. Müller
15-13782	26.11.15	M	Bemerkungen/ Notes: 1) and 2) added; Column CHC for 0.35mm ² and 1.5mm ² was splitted; the error of coaxiality was substitute by error of symmetry to the reference A and B and the value was reduced from 1 to 0.6; deviation of straightness was added	P. Nuetzel	R. Reger	St. Müller
14-02721	25.02.14	L	NEW REVISION ADAPT TO NEW UPDATES ON PAGE 2; 3 AND 5	St. Müller	P. Nuetzel	F. Pacher
ECH-NO. ECH NUMBER	DATE DATUM	DD / MM / YY REVISION INDEX	POSITION POSITION	CHANGE DESCRIPTION ÄNDERUNG		APPR. BY GEN.
PRODUCT SPEC. PRODUCT SPECIFIK.	PACKAGING SPEC. VERPACKUNGS SPECIFIK.	APPLICATION SPEC. ANWENDUNGS SPECIFIK.	COPYRIGHT DELPHI CORPORATION AND/OR ITS AFFILIATES. ALL RIGHTS RESERVED. REVISED THIS DRAWING IS THE PROPERTY OF DELPHI CORPORATION. THE REPRODUCTION OR DISTRIBUTION OF THIS DOCUMENT OR ITS RELATED CAD DATA, AS WELL AS COMMUNICATION OF ANY CONTENT TO OTHERS, WITHOUT EXPRESS AUTHORIZATION IS PROHIBITED.			
TOLERANCES TOLERANZEN	DIN ISO 2768 - mH DIN ISO 1101	MATERIAL : MATERIAL : ...	SURFACE FINISH OBERFLÄCHE	DELPHI DELPHI PACKARD ELECTRICAL/ELECTRONIC ARCHITECTURE NUREMBERG GERMANY		
COUNTERPART NO. GEGENSTÜCK NR.	---	COLOR : FARBE : ...	TOOL NO. WERKZEUG NR.	ECO Loc. Code STANDORT CODE	GN	ISO PROJECTION ISO PROJEKTION
DO NOT SCALE DRAWING ZEICHNUNG NICHT VERMESSEN	DATE DATUM	NAME NAME	TITLE BEZEICHNUNG	DRAWING NUMBER ZEICHN. NUMMER		
DRAWN BY GEZ.	21.02.14	ST. Müller	CRIMP SPECIFICATION MALE- AND FEMALE DCS2-2.8 FOR APPLICATION WITH SWS	9 084 11 00		
CHECKED BY GEZ.	21.02.14	P. Nuetzel		FILE NAME DATEI NAME		
APPROVED BY GEN.	24.02.14	S. Weiss	ESR NO. ESR NUMBER	CAT. NO. KATALOG NR.	---	SCALE M: 10:1